

Mod.	From serial no. A partir máq. n°
HS-6017	2.120.001
EH040	1.470.001

Parts Handbook for Washers

Manual de Despiece para lavadoras

Notice Vues Eclatées pour laveuses

HS-6017 / EH040

GIRBAU, S.A.

Crta de Manlleu, km. 1
08500 VIC (Barcelona) • SPAIN
Tel. 34 93 8861100
Fax 34 93 8860785
girbau@girbau.es
www.girbau.com

USA, CANADA:

CONTINENTAL GIRBAU Inc.

2500 State Road 44
WI 54904 Oshkosh • USA
Tel. 1(920) 231-8222
Fax 1(920) 231-4666
info@cont-girbau.com
www.cont-girbau.com

**Parts Handbook
Despiece
Vues Eclatées**

**HS-6017
EH040**

NOTES TO USE PARTS LIST

Sheets no. 1,2,3,4,5,6,12,16:
Are common for all versions.

Sheets no. 7, 13:
Logi Control

Sheets no. 7, 14:
Coin Control

Sheets no. 8, 15:
Inteli Control

Sheet no. 9:
Logi Control & Coin Control
with high temperature valve

Sheet no. 10: Inteli Control
with high temperature valve

Sheet no. 11: Inteli Control
with third water inlet

Sheet no. 17
Electric heating

Sheet no. 18
Steam heating

ACLARACIONES PARA EL USO DEL DESPIECE

Hojas nº 1,2,3,4,5,6,12,16:
Son comunes a todas las variantes.

Hojas nº 7, 13:
Logi Control

Hojas nº 7, 14:
Coin Control

Hojas nº 8, 15:
Inteli Control

Hoja nº 9:
Logi Control y Coin Control
con válvula alta temperatura

Hoja nº 10: Inteli Control con
válvula alta temperatura

Hoja nº 11: Inteli Control con
tercera entrada de agua

Hoja nº 17
Calefacción eléctrica

Hoja nº 18
Calefacción a vapor

NOTES UTILISATION VUES ECLATEES

Feuilles no. 1,2,3,4,5,6,12,16:
Sont communes à toutes les versions.

Feuilles no. 7, 13:
Logi Control

Feuilles no. 7, 14:
Coin Control

Feuilles no. 8, 15:
Inteli Control

Feuille no. 9:
Logi Control et Coin Control
avec vanne haute
température

Feuille no. 10: Inteli Control
avec vanne haute
température

Feuille no. 11: Inteli Control
avec troisième arrivée d'eau

Feuille no. 17
Chauffage électrique

Feuille no. 18
Chauffage à vapeur

VERY IMPORTANT:

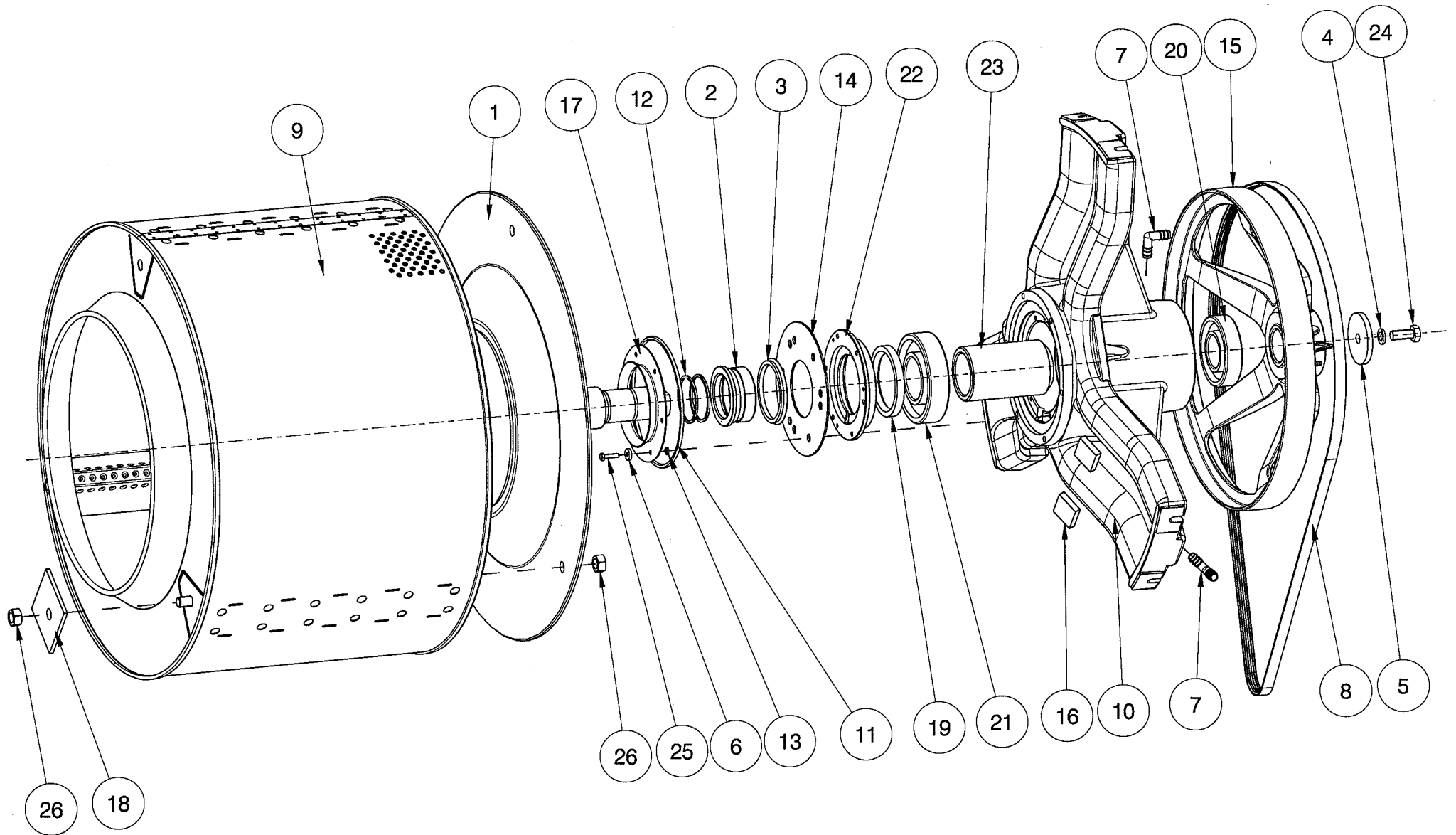
Before ordering parts be sure they have not been modified. Check it on modification sheet, after the corresponding sheet.

MUY IMPORTANTE:

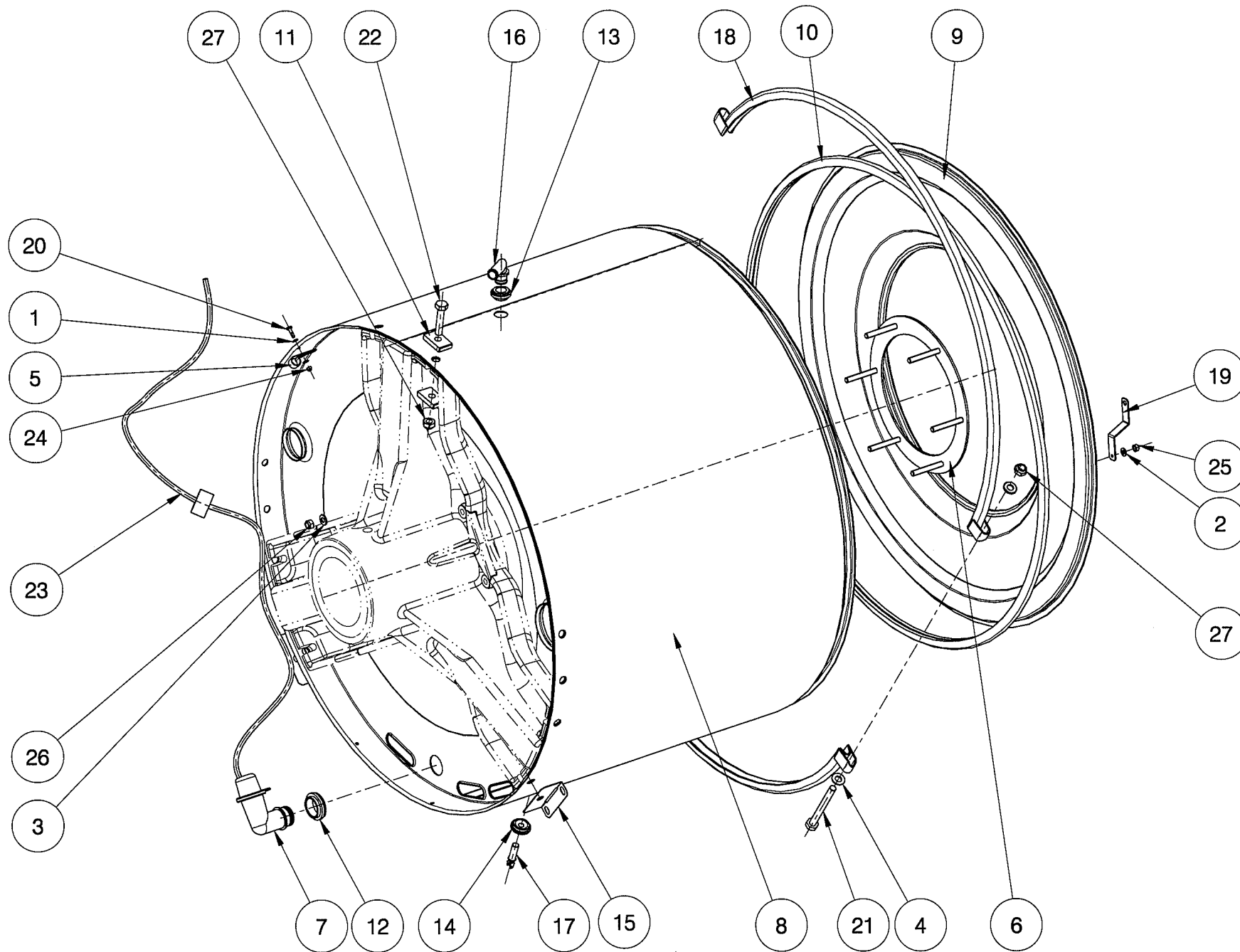
Al pedir una pieza cerciorarse antes de que la misma no ha sido modificada. Si lo hubiese sido, estaría situada como hoja de modificaciones, detrás de la hoja correspondiente.

TRES IMPORTANT:

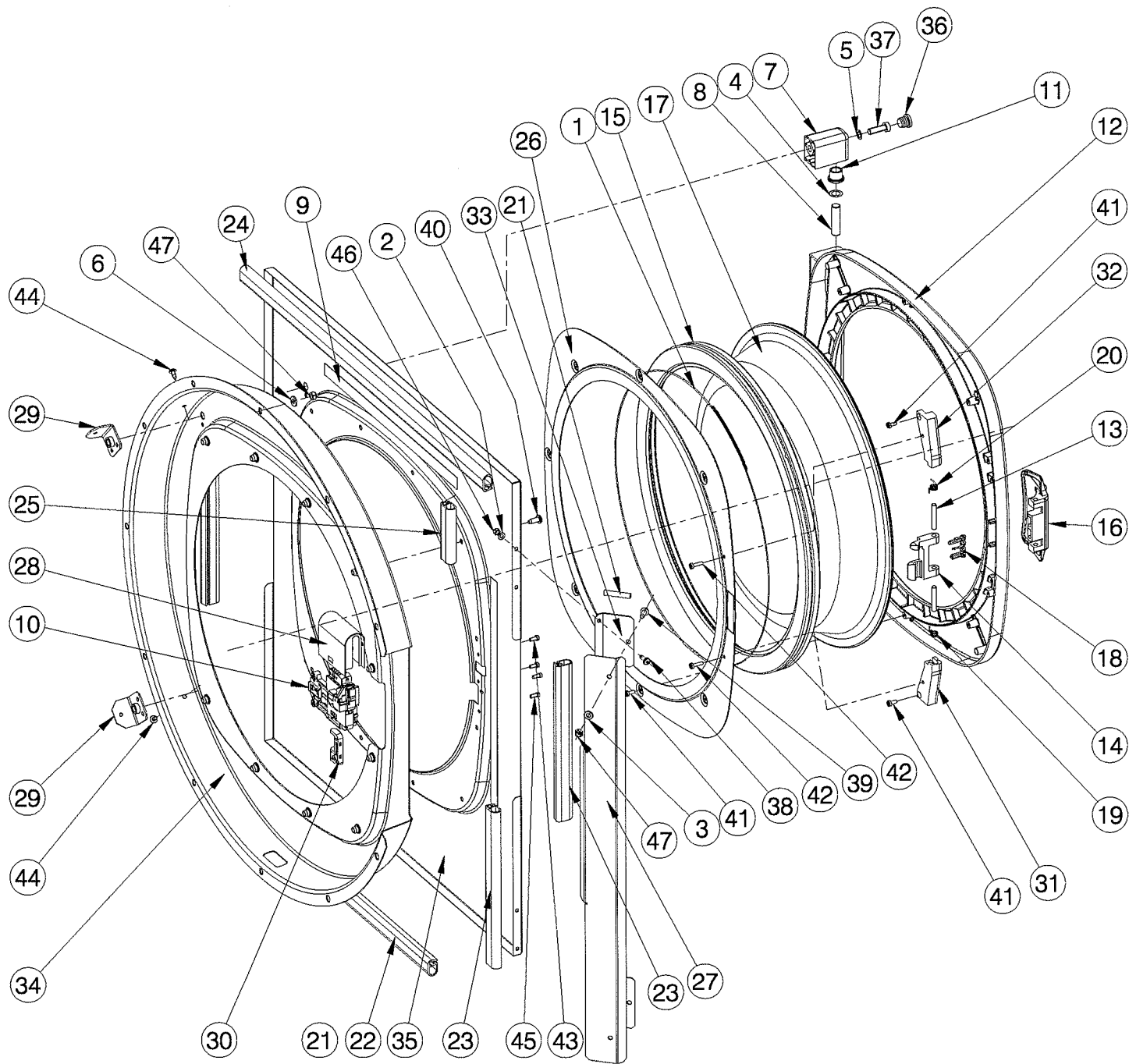
Avant de commander une pièce, s'assurer qu'elle n'a pas été modifiée. Le vérifier sur feuille de modifications, derrière la feuille correspondante.



N°	REF.	DENOMINATION	DENOMINACIÓN	DÉNOMINATION
1	440883	BASKET COUPLING	ACOPLAMIENTO TAMBOR	ASSAMBLAGE TAMBOUR
2	422154	SEAL RING	ANILLO RETENES	BAGUE RESERVES
3	343731	RING V-RING V-85A VITON	ANILLO V-RING V-85A VITON	BAGUE V-RING V-85A VUTON
4	149831	PAV A14 DIN127 GROWER WASHER	ARAN.GROWER A14 DIN127 PAVON.	RONDELLE GROWER A14 DIN127 PAV
5	212589	WASHER 80X15X8	ARANDELA 80X15X8 TRIVALEN.	RONDELLE 80X15X8
6	422220	WASHER D18XD6.5X4	ARANDELA 18X6.5X4 INOX	RONDELLE D18XD6.5X4
7	193904	HOSE ELBOW 3/8" RE. 46602	CODO MANGUERA 3/8" REF.46602	COUDE TUYAU 3/8" REF. 46602
8	338145	ESTR.BELT 6PK2062+-6	CORREA ESTR.6PK2062±6	COURROIE ESTR. 6PK2062+-6
9	421990	BASKET BODY	CUERPO TAMBOR	CORPS TAMBOUR
10	333484	BEARING BOX	ESTRELLA CAJA COJINETES	BOITE ROULEMENTS
11	333237	TORIC GASKET 193X205X6 NBR70SH	JUNTA TORICA 193X205X6 NBR70SH	JOINT TORIQUE 193X205X6 NBR70S
12	333195	TORIC GASKET 68X76X4 NBR70SH	JUNTA TORICA 68X76X4 NBR70SH	JOINT TORIQUE 68X76X4 NBR70SH
13	181321	TORIC GASKET 6X12X3	JUNTA TORICA 6X12X3	JOINT TORIQUE 6X12X3
14	422196	V-RING PLATE	PLATINA V-RING	PLATINE V-RING
15	342543	BASKET PULLEY	POLEA TAMBOR	POULIE TAMBOUR
16	431205	PRESSOSTAT HOSE PROTECTION	PROTECCION TUBO PRESOSTATO	PROTECTION TUBE PRESSOSTAT
17	422204	V-RING PROTECTION	PROTECCION V-RING	PROTECTION V-RING
18	422162	BASKET SHOVEL RENFORT	REFUERZO PALA TAMBOR	REFORT PALETTE TAMBOUR
19	333229	SEAL 85X110X12 BA NBR72SH	RETEN 85X110X12 BA NBR72SH	RESERVE 85X110X12 BA NBR72SH
20	333252	BEARING 6310-2Z	RODAMIENTO 6310-2Z	ROULEMENT 6310-2Z
21	333245	BEARING 6313-2RS1	RODAMIENTO 6313-2RS1	ROULEMENT 6313-2RS1
22	430876	SEAL HOLDER COVER	TAPA PORTA-RETEN	COUVERCLE PORTE-RESERVE
23	422212	BEARING END-PIECE	TOPE COJINETES	ARRET ROULEMENTS
24	186312	HEX SCREW 8G DIN933 M14X35	TOR.EX.DIN933-8.8 B.TRI.M14X35	VIS HEX 8G DIN933 M14X35
25	144915	INOX HEX SCREW DIN933 M 6X25	TOR.EX.DIN933INOX A2-70 M 6X25	VIS HEX INOX DIN933 M 6X25
26	149997	INOX HEX NUT DIN 934 M-16	TUER.EX.DIN934 INOX A2-70 M16	ECROU HEX.INOX DIN 934 M-16

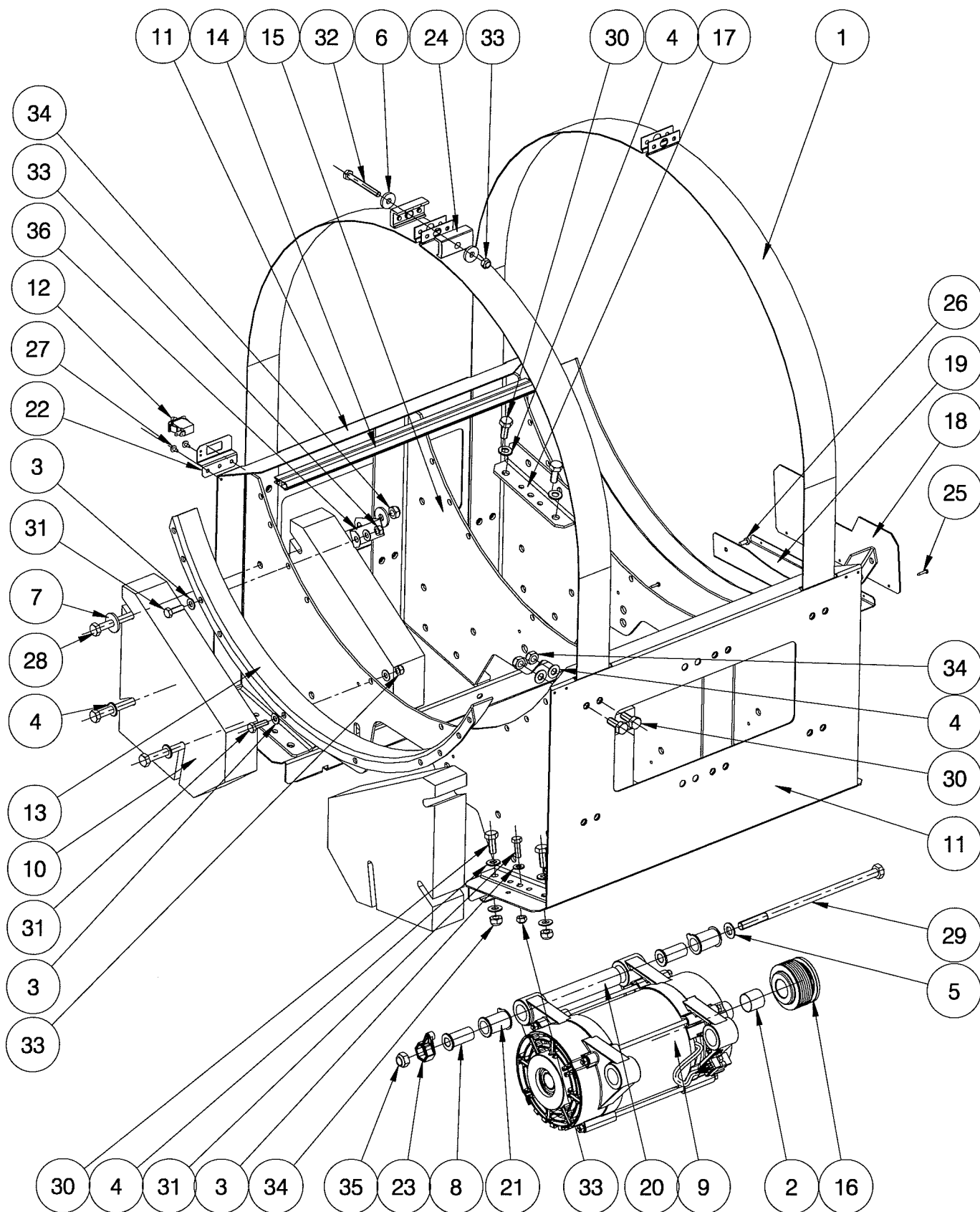


N°	REF.	DENOMINATION	DENOMINACIÓN	DÉNOMINATION
1	149476	BICR.WASHER B DIN125-ST 4,3	ARAN.B DIN125-ST B.TRI. 4,3	RONDELLE B DIN125-ST BICR.4,3
2	149526	BICR.WASHER B DIN125-ST 6,4	ARAN.B DIN125-ST B.TRI. 6,4	RONDELLE B DIN125-ST BICR.6,4
3	149518	BICR.WASHER B DIN125-ST 8,4	ARAN.B DIN125-ST B.TRI. 8,4	RONDELLE.B DIN125-ST BICR.8,4
4	149500	BICR.WASHER B DIN125-ST 10,5	ARAN.B DIN125-ST B.TRI.10,5	RONDELLE B DIN125-ST BICR.10,5
5	140418	CLAMP UNEX REF 1201	BRIDA UNEX 1201	BRIDE UNEX REF 1201
6	431551	OUTER DRUM PLATE SET	CONJUNTO PLATINA ENVOLVENTE	ENSEMBLE PLATINE CUVE
7	320382	PRESSURE TRANSMITT INTAKE BODY	CUERPO TOMA PRESOSTATO	CORPS PRISE PRESSOSTAT
8	422113	OUTER DRUM	ENVOLVENTE	CUVE
9	422238	OUTER DRUM FRONT PANEL	FRONTAL ENVOLVENTE	FRONTAL CUVE
10	333336	OUTER DRUM FRONT GASKET	JUNTA FRONTAL ENVOLVENTE	JOINT FRONTAL CUVE
11	422329	HANDRAIL 43X25X8	PASAMANO 43X25X8	PASSEMAIN 43X25X8
12	320036	PRESSURE T.BODY SHEATH-LODGING	PASAMUROS CUERPO PRESOSTATO	LOGEMENT CORPS PRESSOSTAT
13	338863	VAPOR OUTLET SHEATH-LODGING	PASAMUROS DESVAPORIZADOR	LOGEMENT SORTIE CONDENSATS
14	256149	SENSOR SHEATH LODGING	PASAMUROS SENSOR	LOGEMENT SENSEUR
15	341073	OUTER DRUM PIECE	POSICIONADOR ENVOLVENTE	PIECE CUVE
16	338871	VAPOR OUTLET RACCORD	RACOR DESVAPORIZADOR	RACCORD SORTIE CONDENSATS
17	193862	NTC RESISTANCE 2381 640 90042	RESISTENCIA NTC 2381 640 90042	RESISTANCE NTC 2381 640 90042
18	430256	OUTER DRUM FIXING SEMI-RING	SEMI-ARO FIJACION ENVOLVENTE	DEMI.BAGUE FIXATION CUVE
19	431536	LOCK INSTALLATION FIXING-PIECE	SUJECION INSTALACION CIERRE	FIXATION INST.FERMETURE
20	146266	BICR.HEX SCREW DIN933-8 M-4X15	TOR.EX.DIN933-4.8 B.TRI.M 4X15	VIS HEX BICR.DIN933-8.8 M-4X15
21	146563	BICR HEX SCREW DIN933 M-10X100	TOR.EX.DIN933-88 B.TRI.M10X100	VIS HEX DIN-933-8.8 BI.M10X100
22	186528	SCREW HEX 8G DIN933 M10X 50	TOR.EX.DIN933-8.8 B.TRI.M10X50	VIS HEX 8G DIN933 M10X 50
23	427021	PRESSURE TRANSMITTER HOSE	TUBO TRANSMISOR PRESION	TUYAU PRESSOSTAT
24	132043	SELFBLOCKING NUT DIN985 M 4	TUER.AUTOBL.DIN985-8 B.TRI.M 4	ECROU AUTOBLOCANT DIN985 M 4
25	176834	SELFBLOCKING NUT DIN985 M-6	TUER.AUTOBL.DIN985-8 B.TRI.M6	ECROU AUTOBLOCANT DIN985 M-6
26	164285	SELFBLOCKING NUT DIN985 M-8	TUER.AUTOBL.DIN985-8 B.TRI.M8	ECROU AUTOBLOCANT DIN985 M-8
27	150649	SELFBLOCKING NUT DIN 985 M-10	TUER.AUTOB.DIN985-8 B.TRI.M10	ECROU AUTOBLOCANT DIN 985 M-10



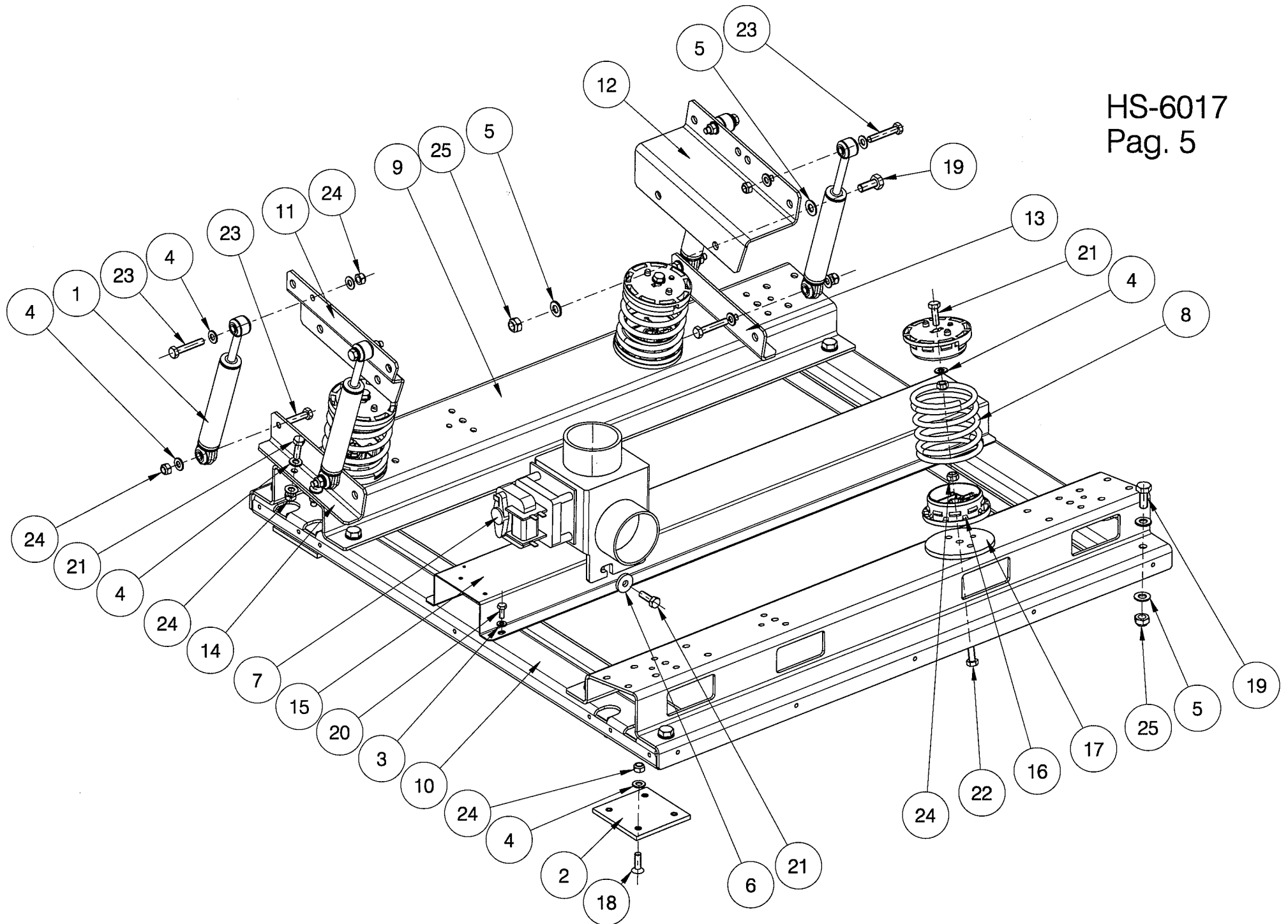
N°	REF.	DENOMINATION	DENOMINACIÓN	DÉNOMINATION
1	342907	WASHER D415X1,5 SPRING	ABRAZ.ALAMBRE D415X1,5 MUELLE	RONDELLE D415X1,5 RESSORT
2	149534	BICR.WASHER B DIN125-ST 5,3	ARAN.B DIN125-ST B.TRI. 5,3	RONDELLE B BICR.DIN125-ST 5,3
3	149526	BICR.WASHER B DIN125-ST 6,4	ARAN.B DIN125-ST B.TRI. 6,4	RONDELLE B DIN125-ST BICR.6,4
4	184200	ADJ. WASHER PS12X18X0,2	ARAN.AJUSTE PS12X18X0,2 DIN988	RONDELLE REGLAGE PS12X18X0,2
5	318253	WASHER 8	ARAN.ESPECIAL TORN.DIN912 M 8	RONDELLE 8
6	432872	WASHER 14X6.4X2	ARANDELA 14X6.4X2 INOX	RONDELLE 14X6.4X2
7	432054	HINGE	BISAGRA	CHARNIERE
8	261156	DOOR BOLT	BULON ESCOTILLA	BOULON HUBLLOT
9	423467	ANTI-VIBRATION TGRIM	BURLETE ANTIVIBRANTE	GARNITURE ANTI-VIBRATION
10	333302	LOCKING BITRON BP P/5 DL-S1	CIERRE BITRON BP P/5 DL-S1 *	FERMETURE BITRON BP P/5 DL-S1
11	128827	SELFOIL SLEEVE B11B12-17-15/22	COJ. SELFOIL B11B12-17-15/22-3	FRETTE SELFOIL B11B12-17-15/22
12	432039	DOOR BODY	CUERPO ESCOTILLA	CORPS HUBLLOT
13	427088	HANDLE SHAFT	EJE MANETA	AXE POIGNEE
14	339614	LOCK HOOK	GANCHO CIERRE	CROCHET FERMETURE
15	342899	DOOR GASKET 60SHA	JUNTA ESCOTILLA 60SHA	JOINT HUBLLOT 60SHA
	359828	DOOR GASKET 70SHA	JUNTA ESCOTILLA 70SHA	JOINT HUBLLOT 70SHA
16	339457	LOCK HANDLE	MANETA CIERRE	POIGNEE FERMETURE
17	333328	SPYHOLE	MIRILLA	VITRE
18	350462	HOOK SPRING	MUELLE GANCHO	RESSORT CROCHET
19	339978	HANDLE SPRING	MUELLE MANETA	RESSORT POIGNEE
20	339986	HANDLE SPRING	MUELLE MANETA	RESSORT POIGNEE
21	165472	ETHILENE-PROP. PROFILE	PERFIL ETILENO-PROP.REF.44117L	PROFILE ETHILENE-PROP.
22	338137	LOWER COVER AND PANEL PROFILE	PERFIL PANEL Y TAPA INFERIOR	PROF.PANNEAU ET COUVERCLE INF.
23	430918	LOCK PROTECTION PROFILE	PERFIL PROTECCION CIERRE	PROFILE PROTECTION FERMETURE
24	431361	FRONT COVER PROFILE	PERFIL TAPA FRONTAL	PROFILE COUVERCLE FRONTALE
25	432724	SHORT FRONT COVERT PROFILE	PERFIL TAPA FRONTAL CORTO	PROFILE COUVERC.FRONTALE COURT
26	422311	SPYHOLE HOLDER	PORTA-MIRILLA	PORTE-VITRE
27	432609	HARNNESS PROTECTION	PROTECCION CABLEADO	PROTECTION CABLAGE
28	333070	LOCKING PROTECTION	PROTECCION CIERRE	PROTECTION FERMETURE
29	430801	DOOR BRACKET REINFORT	REFUERZO SOPORTE PUERTA	RENFORT SUPPORT HUBLLOT

N°	REF.	DENOMINATION	DENOMINACIÓN	DÉNOMINATION
30	430843	FRONT COVER REINFORT	REFUERZO TAPA FRONTAL	RENFORT COUVERCLE FRONTALE
31	409086	HANDLE BRACKET	SOPORTE MANETA	SUPPORT HUBLLOT
32	409094	HANDLE BRACKET	SOPORTE MANETA	SUPPORT POIGNEE
33	432583	BRACKET HARNESS PROTECTION	SOPORTE PROTECCION CABLEADO	SUPPORT PROTECTION CABLAGE
34	430785	DOOR BRACKET	SOPORTE PUERTA	SUPPORT HUBLLOT
35	430835	FRONT COVER	TAPA FRONTAL	COUVERCLE FRONTALE
36	322974	PLUG	TAPON KAPSTO GPN320GL18	BOUCHON
37	316695	ALLEN SCREW DIN7984-8 M8X 25	TOR.ALLDIN7984-8.8B.TRI.M 8X25	VIS ALLEN DIN7984-8.8 B.M8X 25
38	328237	SCREW T20 AR.18ESTR. M5X15	TOR.ALOM.T20 AR.18ESTR.M 5X15	VIS T20 AR.18ESTR. M5X15
39	333625	SCREW T25 M6X15	TOR.ALOM.T25 A18EST.M6X15 TRI.	VIS T25 M6X15
40	333294	SCREW T25 M6X15	TOR.ALOM.T25 AR.18ESTR.M 6X15	VIS T25 M6X15
41	326116	SCREW SF PLUS M4X10	TOR.CELO 410TT85T 4X10 INOX	VIS SF PLUS M4X10
42	352724	SCREW CELO 416TT85T 4X15 INOX	TOR.CELO 416TT85T 4X16 INOX	VIS CELO 416TT85T 4X16 INOX
43	322990	SCREW DELTA PT 45X10 WN5452	TOR.CELO 4510RFAT INOX 4.5X10	VIS DELTA PT 45X10 WN5452
44	322750	SCREW FDS SF-M5X12PKS	TOR.AUTO-ROSC.TORX.ESTR.M5X12	VIS.FDS SF-M5X12PKS
45	438903	LOCK SCREW 4,5X 10	TORNILLO CIERRE 4,5X10	VIS FERMETURE 4,5X10
46	176826	SELF-BLOCKING NUT DIN 985 M-5	TUER.AUTOBL.DIN985-8 B.TRI.M5	ECROU AUTOBLOCANT DIN 985 M-5
47	176834	SELFBLOCKING NUT DIN985 M-6	TUER.AUTOBL.DIN985-8 B.TRI.M6	ECROU AUTOBLOCANT DIN985 M-6
			.	
			.	
			.	
			.	
		WITHOUT ILLUSTRATION	SIN ILUSTRACION	SANS ILLUSTRATION
431171		JOINT ADJUSTING RING	ARO AJUSTE JUNTA	BAGUE REGLAGE JOINT



N°	REF.	DENOMINATION	DENOMINACIÓN	DÉNOMINATION
1	422402	OUTER-DRUM CLAMP	ABRAZADERA ENVOLVENTE	BRIDE CUVE
2	341156	STAR TOLER.RING 0820-028-04	ANILLO TOLER.STAR 0820-028-04	BAGUE TOLER.STAR 0820-028-04
3	149518	BICR.WASHER B DIN125-ST 8,4	ARAN.B DIN125-ST B.TRI. 8,4	RONDELLE.B DIN125-ST BICR.8,4
4	149500	BICR.WASHER B DIN125-ST 10,5	ARAN.B DIN125-ST B.TRI.10,5	RONDELLE B DIN125-ST BICR.10,5
5	149419	BICR.WASHER B DIN125-ST 13	ARAN.B DIN125-ST B.TRI.13	RONDELLE B DIN125-ST BICR.13
6	261529	WASHER 25X8,5X4	ARANDELA 25X8,5X4 TRIVALEN.	RONDELLE 25X8,5X4
7	115428	WASHER 30X10,5X3	ARANDELA 30X10,5X3 TRIVALEN.	RONDELLE 30X10,5X3
8	423103	MOTOR SLEEVE	CASQUILLO MOTOR	FRETTE MOTEUR
9	333385	MOTOR SET	CONJUNTO MOTOR MT90-150/4-H	ENSEMBLE MOTEUR
10	423079	COUNTERWEIGHT	CONTRAPESO	CONTREPOID
11	422949	CHASSIS SIDE PANEL	LATERAL CHASIS	LATERAL CHASSIS
12	323048	MINISWITCH CHERRY E69-60C	MINIRRUPTOR CHERRY E69-60C	MINIRRUPTEUR CHERRY E69-60C
13	422394	OUTER-DRUM SUPPORT PROFILE	PERFIL APOYO ENVOLVENTE	PROFILE APPUI CUVE
14	433136	SIDE PROFILE	PERFIL LATERAL	PROFILE LATERALE
15	423335	CHASSIS PLATE	PLACA CHASIS	PLAQUE CHASSIS
16	333401	MOTOR PULLEY	POLEA MOTOR MT 90-150/4-H	POULIE MOTEUR
17	422386	REAR SPRING POSITION	POSICIONADOR MUELLE POSTERIOR	POSITION RESSORT ARRIERE
18	432674	WIRE PROTECTION	PROTECCION CABLES	PROTECTION CABLES
19	431163	MOTOR PROTECTION	PROTECCION MOTOR	PROTECTION MOTEUR
20	423111	MOTOR SEPARATOR	SEPARADOR MOTOR	SEPARATEUR MOTEUR
21	432203	MOTOR SILENTBLOCK	SILENTBLOC MOTOR	SILENTBLOCK MOTEUR
22	423129	MICROSWITCH BRACKET	SOPORTE MICRORRUPTOR	SUPPORT MICRORRUPTEUR
23	338095	MOTOR NUT BRACKET	SOPORTE TUERCA MOTOR	SUPPORT ECROU MOTEUR
24	338053	CLAMP TEIGHTENER	TENSOR ABRAZADERA	TENDEUR BRIDE
25	332627	SCREW REF. TT85 T M3 X16	TOR. REF. TT85 T M3 X16	VIS REF.TT85 T M3 X16
26	343434	SCREW 512TTAET M5X12	TOR.CELO 512TTAET M5X12	VIS 512TTAET M5X12
27	183400	CYL.PLATE SCREW ST-4 20 C/AL	TOR.CHAPA ST-4 20 C/AL.T25	VIS PLAQUE CYL.ST-4 20 C/AL
28	191759	HEX SCREW 8G DIN931 M10X150	TOR.EX.DIN931-8.8B.TRI.M10X150	VIS HEX 8G DIN931 M10X150
29	338103	HEX SCREW DIN931-8.8 M12X260	TOR.EX.DIN931-8.8B.TRI.M12X260	VIS HEX DIN931-8.8 M12X260
30	147009	HEX SCREW 8G DIN 933 M-10X25	TOR.EX.DIN933-8.8 B.TRI.M10X25	VIS HEX. DIN 933 M-10X25 8G

N°	REF.	DENOMINATION	DENOMINACIÓN	DÉNOMINATION
31	192849	BIC.HEX SCREW DIN933-8 M-8X25	TOR.EX.DIN933-8.8 B.TRI.M 8X25	VIS HEX.DIN933-8,8 BICR.M-8X25
32	193391	HEX SCREW 8G DIN933 M- 8X 70	TOR.EX.DIN933-8.8 B.TRI.M 8X70	VIS HEX.8G DIN933 M- 8X 70
33	164285	SELFBLOCKING NUT DIN985 M-8	TUER.AUTOBL.DIN985-8 B.TRI.M8	ECROU AUTOBLOCANT DIN985 M-8
34	150649	SELFBLOCKING NUT DIN 985 M-10	TUER.AUTOB.DIN985-8 B.TRI.M10	ECROU AUTOBLOCANT DIN 985 M-10
35	150656	SELFBLOCKING NUT DIN985 M-12	TUER.AUTOB.DIN985-8 B.TRI.M12	ECROU AUTOBLOCANT DIN985 M-12
36	423350	PLATE CONTERWEIGHT JOINTING	UNION CONTRAPESO PLACA	UNION CONTREPOIDS PLAQUE



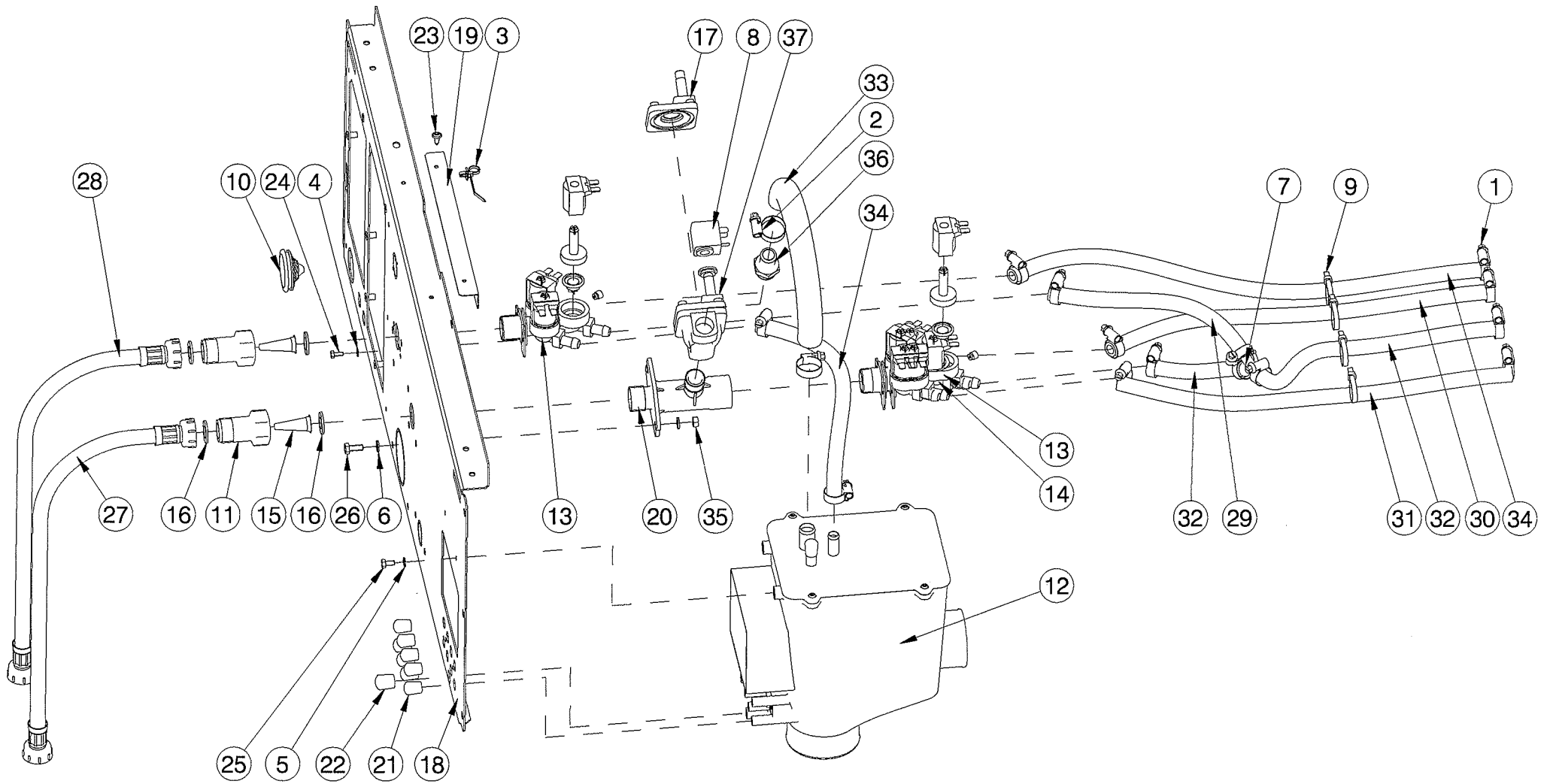
N°	REF.	DENOMINATION	DENOMINACIÓN	DÉNOMINATION
1	333476	SHOCK-ABSORBER SUSPA RD10 120N	AMORTIGUADOR SUSPA RD10 120N	AMORTISSEUR SUSPA RD10 120N
2	422360	SUPPORT BASE	APOYO BASE	BASE APPUI
3	149526	BICR.WASHER B DIN125-ST 6,4	ARAN.B DIN125-ST B.TRI. 6,4	RONDELLE B DIN125-ST BICR.6,4
4	149518	BICR.WASHER B DIN125-ST 8,4	ARAN.B DIN125-ST B.TRI. 8,4	RONDELLE.B DIN125-ST BICR.8,4
5	149500	BICR.WASHER B DIN125-ST 10,5	ARAN.B DIN125-ST B.TRI.10,5	RONDELLE B DIN125-ST BICR.10,5
6	261529	WASHER 25X8,5X4	ARANDELA 25X8.5X4 TRIVALEN.	RONDELLE 25X8,5X4
7	338129	DRAIN (OPEN) MBD-3RA	DESAGÜE (ABIERTO) MBD-3RA	VIDANGE (OUVERT) MBD-3RA
8	338079	SUSPENSION SPRING	MUELLE SUSPENSION	RESSORT SUSPENSION
9	422345	BASE LANE PROFILE	PERFIL LONGITUDINAL BASE	PROFILE LONGITUDINAL BASE
10	422337	BASE CROSS PROFILE	PERFIL TRANSVERSAL BASE	PROFILE TRANSVERSAL BASE
11	423087	SHOCK-ABSORBER PLATE	PLATINA AMORTIGUADORES	PLAQUE AMORTISSEURS
12	423285	TRAS. SHOCK-ABSORBER PLATE	PLATINA AMORTIGUADORES TRAS.	PLAQUE AMORTISSEURS TRAS.
13	423376	RIGHT SHOCK-ABSORBER BRACKET	SOPORTE AMORTIGUADOR DERECHO	SUPPORT AMORTISSEUR DROIT
14	423194	LEFT SHOCK-ABSORBER BRACKET	SOPORTE AMORTIGUADOR IZQUIERDO	SUPPORT AMORTISSEUR GAUCHE
15	423368	DRAIN BRACKET	SOPORTE DESAGÜE	SUPPORT VIDANGE
16	333351	RIGHT SPRING BRACKET	SOPORTE MUELLE A DERECHAS	SUPPORT RESORT À DROITES
17	432153	SPRING SUPPLEMENT	SUPLEMENTO MUELLE	SUPPLEMENT RESORT
18	175653	ALLEN SCREW 10.9 DIN7991M-8X25	TOR.AV.ALL.10.9 DIN7991M 8X 25	VIS ALLEN DIN 7991 10.9M-8X25
19	147009	HEX SCREW 8G DIN 933 M-10X25	TOR.EX.DIN933-8.8 B.TRI.M10X25	VIS HEX. DIN 933 M-10X25 8G
20	146233	BICR.HEX SCREW DIN933-8 M6X15	TOR.EX.DIN933-8.8 B.TRI.M 6X15	VIS HEX DIN933-8.8 BICR.M6X15
21	192849	BIC.HEX SCREW DIN933-8 M-8X25	TOR.EX.DIN933-8.8 B.TRI.M 8X25	VIS HEX.DIN933-8,8 BICR.M-8X25
22	192831	BICR.HEX SCREW DIN 933-8 M8X30	TOR.EX.DIN933-8.8 B.TRI.M 8X30	VIS HEX DIN 933-8,8 BIC.M8X30
23	191726	HEX SCREW 8G DIN933 M 8X 45	TOR.EX.DIN933-8.8 B.TRI.M 8X45	VIS HEX.8G DIN933 M 8X 45
24	164285	SELFBLOCKING NUT DIN985 M-8	TUER.AUTOBL.DIN985-8 B.TRI.M8	ECROU AUTOBLOCANT DIN985 M-8
25	150649	SELFBLOCKING NUT DIN 985 M-10	TUER.AUTOB.DIN985-8 B.TRI.M10	ECROU AUTOBLOCANT DIN 985 M-10

N°	REF.	DENOMINATION	DENOMINACIÓN	DÉNOMINATION
1	422469	LANE ANGLE	ANGULO LONGITUDINAL	ANGLE LONGITUDINAL
2	149534	BICR.WASHER B DIN125-ST 5,3	ARAN.B DIN125-ST B.TRI. 5,3	RONDELLE B BICR.DIN125-ST 5,3
3	149526	BICR.WASHER B DIN125-ST 6,4	ARAN.B DIN125-ST B.TRI. 6,4	RONDELLE B DIN125-ST BICR.6,4
4	153205	WASHER 20X7X2	ARANDELA 20X7X2 TRIVALEN.	RONDELLE 20X7X2
5	431593	TOP COVER HINGE	BISAGRA TAPA SUPERIOR	CHARNIERE COUVERCLE SUPERIEUR
6	323717	END PIECE	CANTONERA	ARRET
7	444398	FRAME FIXATION SLEEVE	CASQUILLO FIJACION MARCO	FRETTE FIXATION CADRE
8	196915	LOCK RE.20.00.02.05	CERRADURA REF.20.00.02.05	FERMETURE REF.20.00.02.05
	196923	LOCK KEY RE.10.41.213	LLAVE REF.10.41.213 COMB.T-205	CLE FERMETURE REF.10.41.213
9	432617	HARNES CONDUCTION	CONDUCCION CABLEADO	CONDUITE CABLAGE
10	422568	FRONT COVER FIXING-PIECE	FIJACION TAPA FRONTAL	FIXATION COUVERCLE FRONTAL
11	343087	SOAP DISPENSER LID FRAME	MARCO TAPA DOSIFICADOR	CADRE COUVERCLE BAC A PRODUITS
12	323048	MINISWITCH CHERRY E69-60C (EH040)	MINIRRUPTOR CHERRY E69-60C (EH040)	MINIRRUPTEUR CHERRY E69-60C (EH040)
13	341438	MOLDADURA MGS-1-01	MOLDURA MGS-1-01	MOLDADURA MGS-1-01
14	439000	COVER SHOCK-ABSORBER PROFILE	PERFIL AMORTIGUADOR TAPA	PROFIL AMORTISSEUR COUVERCLE
15	431650	SAOP DISP.HOLDING-DOWN PROFILE	PERFIL ANCLAJE DOSIFICADOR	PROFILE SCELLEMENT BAC A PROD.
16	423327	HOSE FIXING PROFILE	PERFIL FIJACION TUBOS	PROFILE FIXATION TUBES
17	338137	LOWER COVER AND PANEL PROFILE	PERFIL PANEL Y TAPA INFERIOR	PROF.PANNEAU ET COUVERCLE INF.
18	333617	FRONT COVERS PROFILE	PERFIL TAPAS FRONTALES	PROFILE COUVERCLES FRONTALES
19	406298	PANEL FIXING RENFORT	REFUERZO FIJACION TAPAS	REFORT FIXATION COUVERCLES
20	242115	UPPER COVER RENFORT	REFUERZO TAPA SUPERIOR	REFORT COUVERCLE SUPERIEUR
21	431742	SOAP DISPENSER BRACKET	SOPORTE DOSIFICADOR	SUPPORT BAC A PRODUITS
22	423129	MICROSWITCH BRACKET (EH040)	SOPORTE MICRORRUPTOR (EH040)	SUPPORT MICRORRUPTEUR (EH040)
23	193540	MIKALOR QUICK FIXING 211038-8	SUJEC.RAPIDA MIKALOR 211038-8	FIXATION RAPIDE MIKALOR
24	343095	SOAP DISPENSER LID	TAPA DOSIFICADOR	COUVERCLE BAC A PRODUITS
25	422618	RIGHT FRONT COVER (INOX)	TAPA FRONTAL DERECHA (INOX)	COUVERCLE FRONTAL DROIT (INOX)
27	422634	LOWER FRONT COVER	TAPA FRONTAL INFERIOR	COUVERCLE FRONTAL INFERIEUR
28	422626	LEFT FRONT COVER (INOX)	TAPA FRONTAL IZQUIERDA (INOX)	COUVERCLE FRONTAL GAUCHE (INOX)

N°	REF.	DENOMINATION	DENOMINACIÓN	DÉNOMINATION
30	422642	RIGHT SIDE COVER (INOX)	TAPA LATERAL DERECHA (INOX)	COUVERCLE LATERAL DROIT (INOX)
32	422675	LEFT SIDE COVER (INOX)	TAPA LATERAL IZQUIERDA (INOX)	COUVERCLE LATERAL GAUCHE (INOX)
34	422691	REAR COVER	TAPA POSTERIOR	COUVERCLE ARRIERE
35	422709	LOWER REAR COVER	TAPA POSTERIOR INFERIOR	COUVERCLE ARRIERE INFERIEUR
36	431601	UPPER COVER (INOX)	TAPA SUPERIOR (INOX)	COUVERCLE SUPERIEUR (INOX)
38	144261	ALLEN SCREW DIN 912 M-5X10	TOR.ALLDIN912-8.8 B.TRI.M 5X10	VIS ALLEN DIN 912 M-5X10
39	333625	SCREW T25 M6X15	TOR.ALOM.T25 A18EST.M6X15 TRI.	VIS T25 M6X15
40	333294	SCREW T25 M6X15	TOR.ALOM.T25 AR.18ESTR.M 6X15	VIS T25 M6X15
41	322750	SCREW FDS SF-M5X12PKS	TOR.AUTO-ROSC.TORX.ESTR.M5X12	VIS.FDS SF-M5X12PKS
42	183400	CYL.PLATE SCREW ST-4 20 C/AL	TOR.CHAPA ST-4 20 C/AL.T25	VIS PLAQUE CYL.ST-4 20 C/AL
43	149153	PLATE SCREW ST-4 80 C/AL.T25	TOR.CHAPA ST-4 80 C/AL.T25	VIS PLAQUE ST-4 80 C/AL.T25
44	146274	BICR.HEX SCREW DIN933-8 M-5X10 (EH040)	TOR.EX.DIN933-8.8 B.TRI.M 5X10 (EH040)	VIS HEX.BICR.DIN933-8.8 M-5X10 (EH040)
45	146233	BICR.HEX SCREW DIN933-8 M6X15	TOR.EX.DIN933-8.8 B.TRI.M 6X15	VIS HEX DIN933-8.8 BICR.M6X15
46	326660	SCREW PT K40X12 WN1451-TORX	TOR.CELO 412RF87T INOX A2 4X12	VIS PT K40X12 WN1451-TORX
47	176834	SELFBLOCKING NUT DIN985 M-6	TUER.AUTOBL.DIN985-8 B.TRI.M6	ECROU AUTOBLOCANT DIN985 M-6
48	165019	CAGED NUT M-6 0,5-1,5	TUER.ENJ.M6 0,5-1,5 R.310007-9	ECROU PRESIONER M-6 0,5-1,5
49	150177	BICR HEX NUT DIN934-8 M5	TUER.EX.DIN934-8 B.TRI.M 5	ECROU HEX DIN934-8 BIC.M5
50	135228	NUT NUL 506-2A REF. 213048-1	TUERCA SEG.NUL 506-2B 213048-1	ECROU NUL 506-2A REF. 213048-1
51	423343	SOCKET	ZOCALO	SOCLE

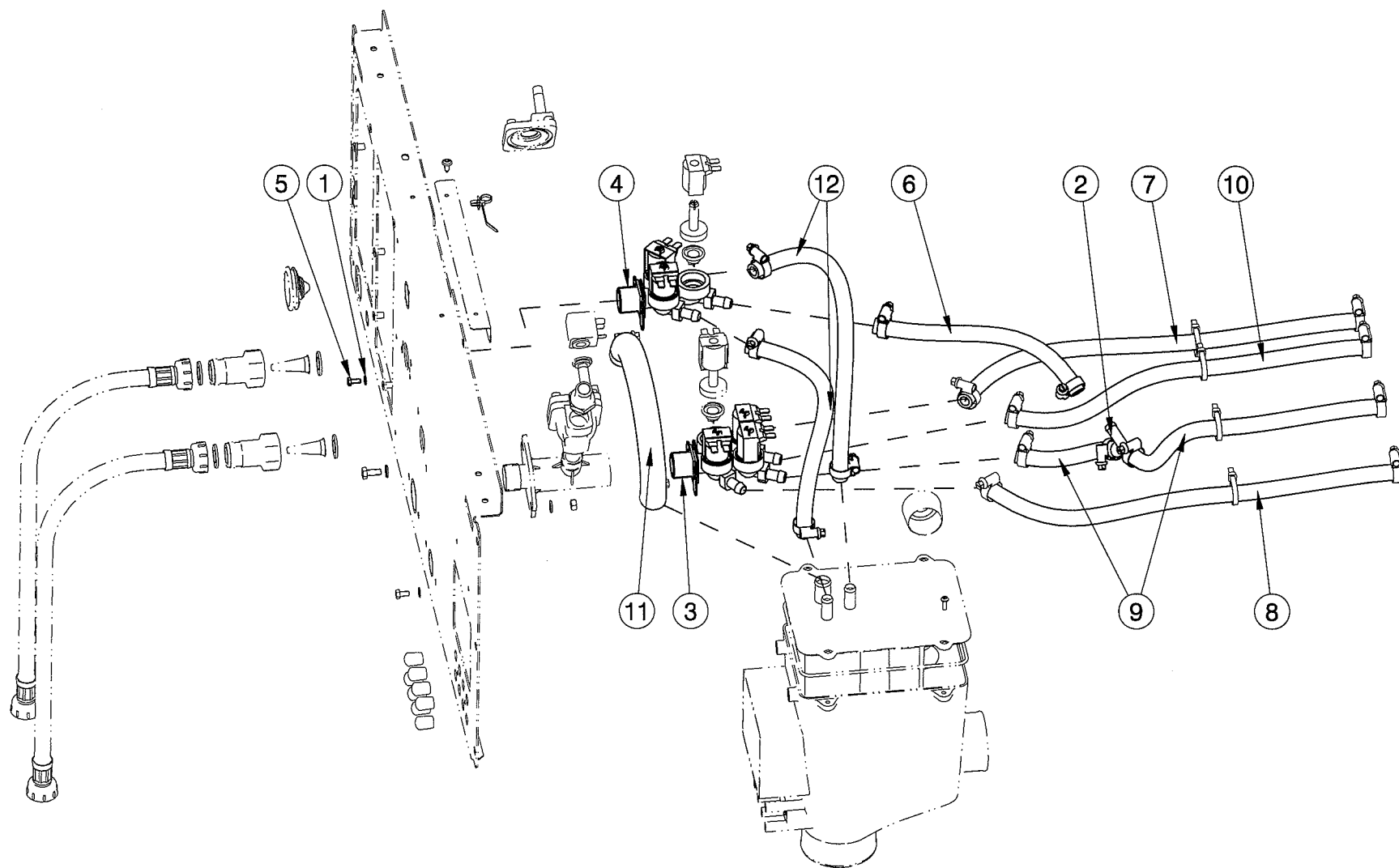
N°	REF.	DENOMINATION	DENOMINACIÓN	DÉNOMINATION
		FROM MACHINE N°	A PARTIR DE LA MÁQUINA N°	A PARTIR DE LA MACHINE N°
		2.120.590	2.120.590	2.120.590
		1.470.228	1.470.228	1.470.228
36	431619	UPPER COVER (INOX)	TAPA SUPERIOR (INOX)	COUVERCLE SUPERIEUR (INOX)

N°	REF.	DENOMINATION	DENOMINACIÓN	DÉNOMINATION
		FROM MACHINE N° 2.121.010 1.470.561	A PARTIR DE LA MÁQUINA N° 2.121.010 1.470.561	A PARTIR DE LA MACHINE N° 2.121.010 1.470.561
26	445320	RIGHT FRONT COVER PRE-COATED	TAPA FRONTAL DERECHA PRE-COATED	COUVERCLE FRONTAL DROIT PRE-COATED
29	445338	LEFT FRONT COVER PRE-COATED	TAPA FRONTAL IZQUIERDA PRE-COATED	COUVERCLE FRONTAL GAUCHE PRE-COATED
31	445643	RIGHT SIDE COVER PRE-COATED	TAPA LATERAL DERECHA PRE-COATED	COUVERCLE LATERAL DROIT PRE-COATED
33	445668	LEFT SIDE COVER PRE-COATED	TAPA LATERAL IZQUIERDA PRE-COATED	COUVERCLE LATERAL GAUCHE PRE-COATED
37	445569	UPPER COVER PRE-COATED	TAPA SUPERIOR PRE-COATED	COUVERCLE SUPERIEUR PRE-COATED
	422741	CANCELLED	ANULADO	ANNULE
	422725	CANCELLED	ANULADO	ANNULE

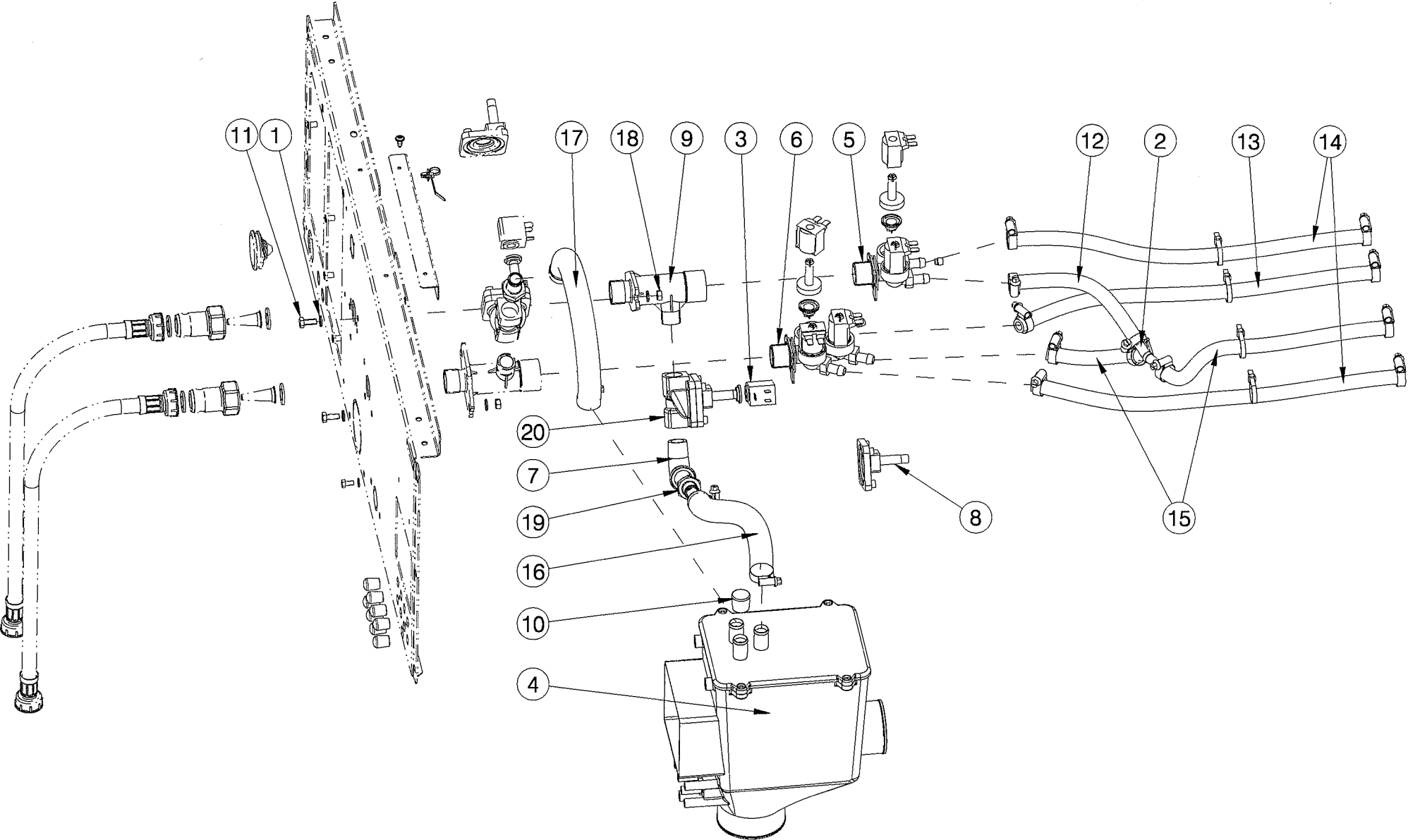


N°	REF.	DENOMINATION	DENOMINACIÓN	DÉNOMINATION
1	155150	CLAMP 8-16	ABRAZADERA 8- 16	BRIDE 8-16
2	156109	CLAMP 16-27	ABRAZADERA 16- 27	BRIDE 16-27
3	326132	CLAMP ABA-036-48-0152-B	ABRAZADERA ABA-036-48-0152-B	BRIDE ABA-036-48-0152-B
4	149476	BICR.WASHER B DIN125-ST 4,3	ARAN.B DIN125-ST B.TRI. 4,3	RONDELLE B DIN125-ST BICR.4,3
5	149534	BICR.WASHER B DIN125-ST 5,3	ARAN.B DIN125-ST B.TRI. 5,3	RONDELLE B BICR.DIN125-ST 5,3
6	149526	BICR.WASHER B DIN125-ST 6,4	ARAN.B DIN125-ST B.TRI. 6,4	RONDELLE B DIN125-ST BICR.6,4
7	152165	BRANCH	BIFURCACION	BIFURCATION
8	333716	COIL AB 5W 12V CC 042N0806	BOBINA AB 5W 12V CC 042N0806	BOBINE AB 5W 12V CC 042N0806
9	140525	CLAMP 2244-0	BRIDA UNEX 2244-0	BRIDE 2244-0
10	139683	CONE ECPC-6	CONO HIMEL ECPC-6	CONE ECPC-6
11	315317	FILTER BODY	CUERPO FILTRO	CORPS FILTRE
12	339689	DISTRIBUTOR	DISTRIBUIDOR	DISTRIBUTEUR
13	422766	3-TRACK ELECTROVALVE	ELECTROVALVULA TRES VIAS	ELECTROVANNE TROIS VOIES
	156265	REGULATOR 3 L/MIN (BLACK)	REGULADOR DE 3 L/MIN. (NEGRO)	REGULATEUR 3 L/MIN (NOIR)
	300194	YELLOW CASE 30053	ESTUCHE AMARILLO 30053	BOITE JAUNE 30053
	300202	INTEGRAL GUIDE-MEMBRANE 30696	MEMBRANA-GUIA INTEGRAL 30696	MEMBRANE-GUIDE INTEGRALE 30696
	332296	COIL 255043000000 12VCC	BOBINA 255043000000 12VCC	BOBINE 255043000000 12VCC
14	433656	3-TRACK ELECTROVALVE (EH040)	ELECTROVALVULA TRES VIAS (EH040)	ELECTROVANNE TROIS VOIES (EH040)
	156257	REGULATOR 8 L/MIN.RED	REGULADOR DE 8 L/MIN. (ROJO)	REGULATEUR 8 L/MIN ROUGE
	156265	REGULATOR 3 L/MIN (BLACK)	REGULADOR DE 3 L/MIN. (NEGRO)	REGULATEUR 3 L/MIN (NOIR)
	300194	YELLOW CASE 30053	ESTUCHE AMARILLO 30053	BOITE JAUNE 30053
	300202	INTEGRAL GUIDE-MEMBRANE 30696	MEMBRANA-GUIA INTEGRAL 30696	MEMBRANE-GUIDE INTEGRALE 30696
	332296	COIL 255043000000 12VCC	BOBINA 255043000000 12VCC	BOBINE 255043000000 12VCC
15	315614	CONICAL FILTER	FILTRO CONICO REF.4008-2-1	FILTRE CONIQUE
16	114348	GASKET D24XD13,5X2	JUNTA MIFLEX D24X13,5X2	JOINT D24XD13,5X2
17	341685	SPARE-PARTS KIT EV220A 12-14B	KIT REPUES.EV220A 12-14B	KIT RECHANGES EV220A 12-14B
18	431635	REAR PANEL	PANEL POSTERIOR	PANNEAU POSTERIEUR
19	431767	INSTALLATION FIXING PROFILE	PERFIL FIJACION INSTALACION	PROFILE FIXATION INSTALLATION
20	333682	ELECTROVALVE BRACKET	SOPORTE ELECTROVALVULAS	SUPPORT ELECTROVANNES

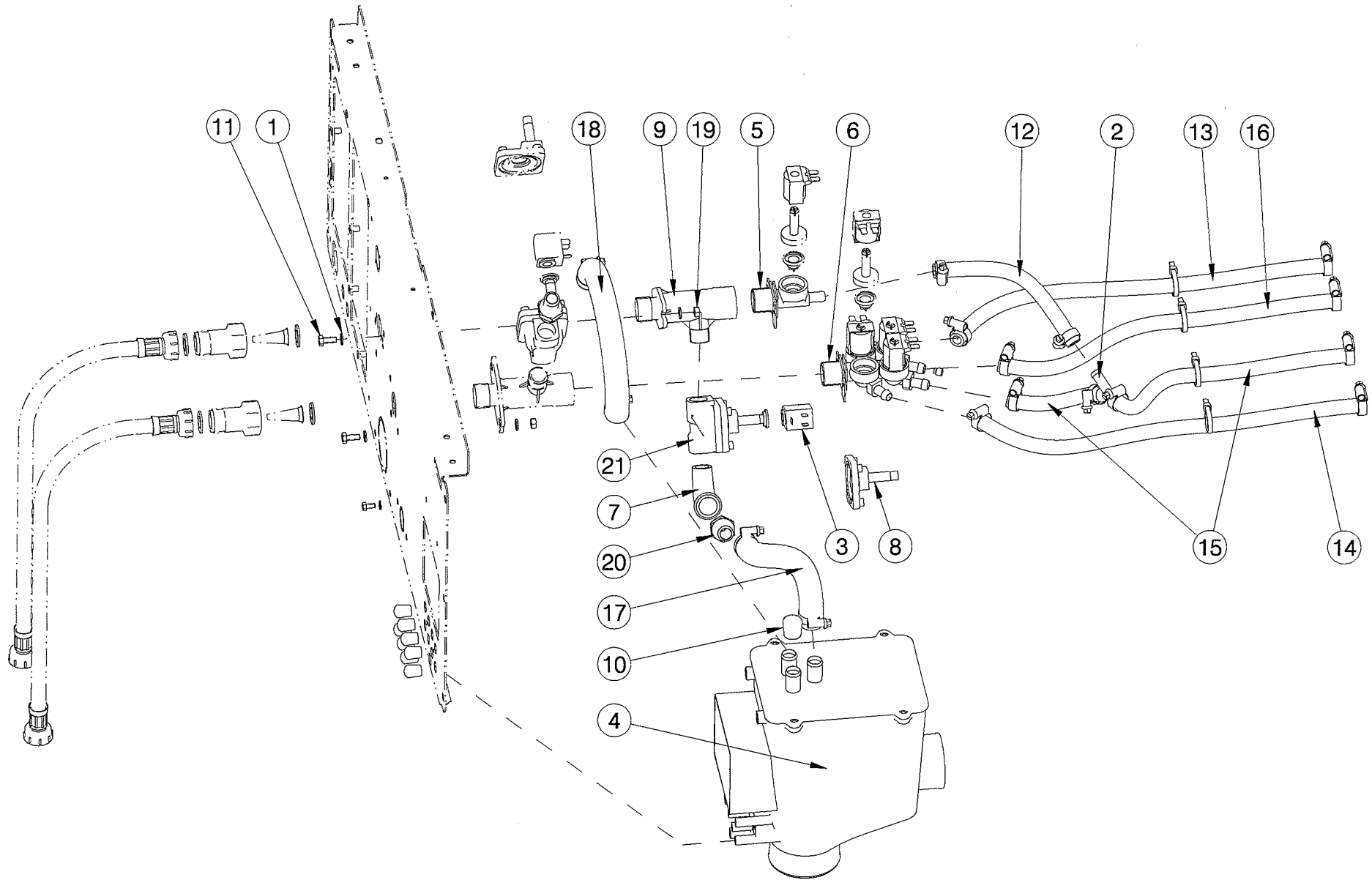
N°	REF.	DENOMINATION	DENOMINACIÓN	DÉNOMINATION
21	156679	CONICAL END-PIECE R-16 D10	TOPE CONICO REPRIMSA R-16 D10	BOUCHON CONIQUE R-16 D10
22	357624	CONICAL END-PECE R-16 D12	TOPE CONICO REPRIMSA R-16 D12	BOUCHON CONIQUE R-16 D12
23	322750	SCREW FDS SF-M5X12PKS	TOR.AUTO-ROSC.TORX.ESTR.M5X12	VIS.FDS SF-M5X12PKS
24	146258	BIC.HEX SCREW DIN933-4.8 M4X10	TOR.EX.DIN933-4.8 B.TRI.M 4X10	VIS HEX DIN933-4.8 BICR.M 4X10
25	146274	BICR.HEX SCREW DIN933-8 M-5X10	TOR.EX.DIN933-8.8 B.TRI.M 5X10	VIS HEX.BICR.DIN933-8.8 M-5X10
26	146233	BICR.HEX SCREW DIN933-8 M6X15	TOR.EX.DIN933-8.8 B.TRI.M 6X15	VIS HEX DIN933-8.8 BICR.M6X15
27	326587	WATER INLET AC DI12,5 L1,5M	TUBO ENTRADA AC DI12,5 L1,5M	FLEXIBLE ENTRÉE AC DI12,5 L1,5
28	326579	WATER INLET AF DI12,5 L1,5M	TUBO ENTRADA AF DI12,5 L1,5M	FLEXIBLE ENTRÉE AF DI12,5 L,5M
29	410613	WATER INLET HOSE	TUBO ENTRADA AGUA	TUYAU ENTRÉE EAU
30	411389	WATER INLET HOSE	TUBO ENTRADA AGUA	TUBE ENTREE EAU
31	411397	WATER INLET HOSE	TUBO ENTRADA AGUA	TUBE ENTREE EAU
32	427187	WATER INLET HOSE	TUBO ENTRADA AGUA	TUBE ENTREE EAU
33	427211	WATER INLET HOSE	TUBO ENTRADA AGUA	TUBE ENTREE EAU
34	430934	WATER INLET HOSE	TUBO ENTRADA AGUA	TUBE ENTREE EAU
35	150227	BICR HEX NUT DIN934-8 M6	TUER.EX.DIN934-8 B.TRI.M 6	ECROU HEX DIN934-8 BICR.M6
36	333690	WATER INLET NUT	FIGURA 243 MI DE 1/2" LATON	ECROU ENTREE EAU
37	333708	VALVE EV220A 14B G12E NC000	CUERPO VAL.EV220A G12 042U4022	VANNE EV220A 14B G12E NC000



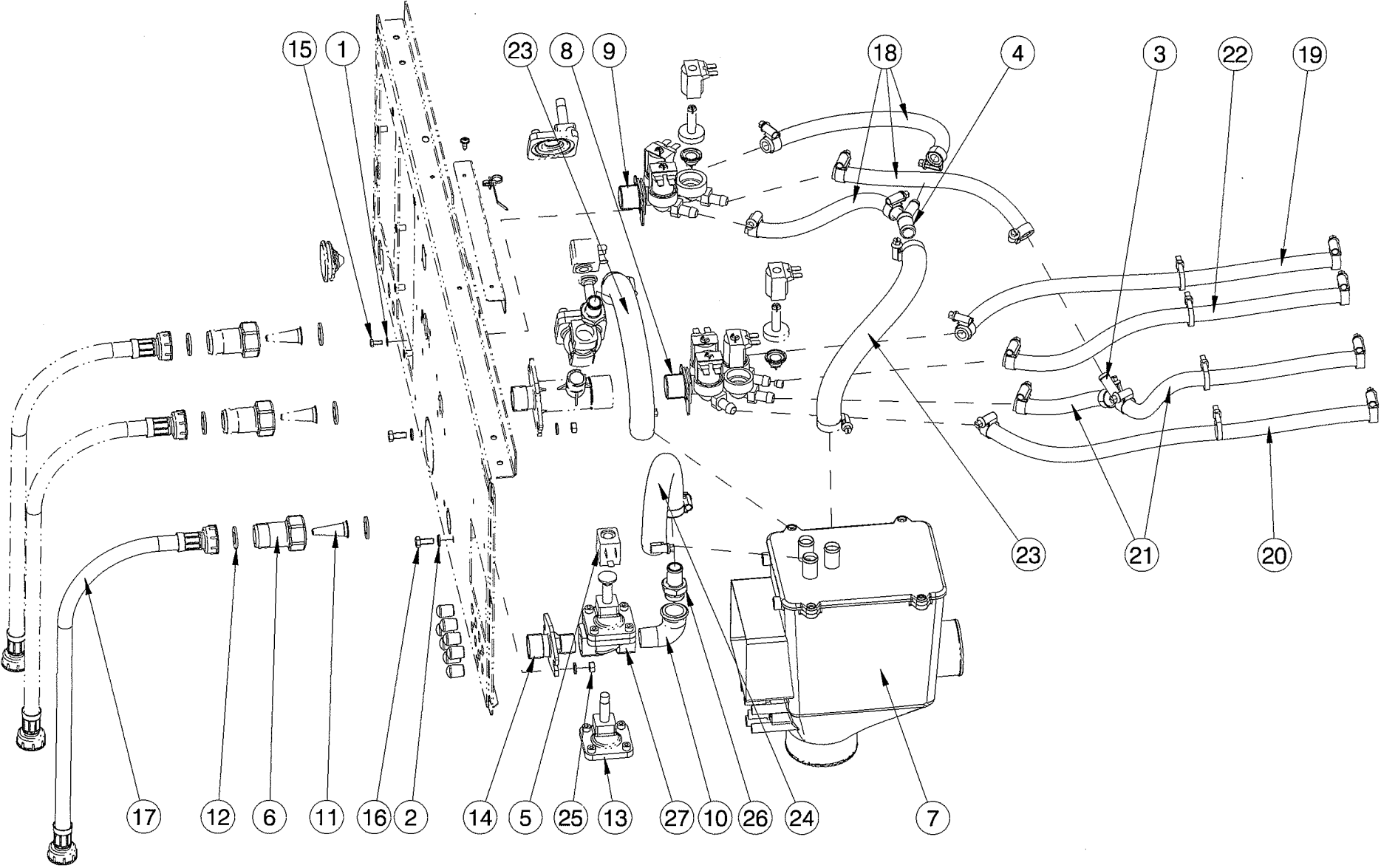
N°	REF.	DENOMINATION	DENOMINACIÓN	DÉNOMINATION
1	149476	BICR.WASHER B DIN125-ST 4,3	ARAN.B DIN125-ST B.TRI. 4,3	RONDELLE B DIN125-ST BICR.4,3
2	152165	BRANCH	BIFURCACION	BIFURCATION
3	323311	4 TRACK ELECTROVALVE 389 180°C	ELECTROV.CUADRUPLE 389 180°	ELECTROVANNE 4 VOIES 389 180°C
	156265	REGULATOR 3 L/MIN (BLACK)	REGULADOR DE 3 L/MIN. (NEGRO)	REGULATEUR 3 L/MIN (NOIR)
	300194	YELLOW CASE 30053	ESTUCHE AMARILLO 30053	BOITE JAUNE 30053
	300202	INTEGRAL GUIDE-MEMBRANE 30696	MEMBRANA-GUIA INTEGRAL 30696	MEMBRANE-GUIDE INTEGRALE 30696
	332296	COIL 255043000000 12VCC	BOBINA 255043000000 12VCC	BOBINE 255043000000 12VCC
4	333674	TRIPLE ELECTROVALVE 369 180°	ELECTROV.TRIPLE 369 180°12VCC	ELECTROVANNE TRIPLE 369 180°
	156265	REGULATOR 3 L/MIN (BLACK)	REGULADOR DE 3 L/MIN. (NEGRO)	REGULATEUR 3 L/MIN (NOIR)
	300194	YELLOW CASE 30053	ESTUCHE AMARILLO 30053	BOITE JAUNE 30053
	300202	INTEGRAL GUIDE-MEMBRANE 30696	MEMBRANA-GUIA INTEGRAL 30696	MEMBRANE-GUIDE INTEGRALE 30696
	332296	COIL 255043000000 12VCC	BOBINA 255043000000 12VCC	BOBINE 255043000000 12VCC
5	146258	BIC.HEX SCREW DIN933-4.8 M4X10	TOR.EX.DIN933-4.8 B.TRI.M 4X10	VIS HEX DIN933-4.8 BICR.M 4X10
6	410613	WATER INLET HOSE	TUBO ENTRADA AGUA	TUYAU ENTRÉE EAU
7	411389	WATER INLET HOSE	TUBO ENTRADA AGUA	TUBE ENTREE EAU
8	411397	WATER INLET HOSE	TUBO ENTRADA AGUA	TUBE ENTREE EAU
9	427187	WATER INLET HOSE	TUBO ENTRADA AGUA	TUBE ENTREE EAU
10	427195	WATER INLET HOSE	TUBO ENTRADA AGUA	TUBE ENTREE EAU
11	427211	WATER INLET HOSE	TUBO ENTRADA AGUA	TUBE ENTREE EAU
12	430934	WATER INLET HOSE	TUBO ENTRADA AGUA	TUBE ENTREE EAU



N°	REF.	DENOMINATION	DENOMINACIÓN	DÉNOMINATION
1	149526	BICR.WASHER B DIN125-ST 6,4	ARAN.B DIN125-ST B.TRI. 6,4	RONDELLE B DIN125-ST BICR.6,4
2	152165	BRANCH	BIFURCACION	BIFURCATION
3	333716	COIL AB 5W 12V CC 042N0806	BOBINA AB 5W 12V CC 042N0806	BOBINE AB 5W 12V CC 042N0806
4	333658	DISTRIBUTOR	DISTRIBUIDOR	DISTRIBUTEUR
5	422824	DOUBLE ELECTROVALVE 349 12VCC	ELECTROVALVULA DOS VIAS	ELECTROVANNE DOUBLE 349 12VCC
	156265	REGULATOR 3 L/MIN (BLACK)	REGULADOR DE 3 L/MIN. (NEGRO)	REGULATEUR 3 L/MIN (NOIR)
	300194	YELLOW CASE 30053	ESTUCHE AMARILLO 30053	BOITE JAUNE 30053
	300202	INTEGRAL GUIDE-MEMBRANE 30696	MEMBRANA-GUIA INTEGRAL 30696	MEMBRANE-GUIDE INTEGRALE 30696
	332296	COIL 255043000000 12VCC	BOBINA 255043000000 12VCC	BOBINE 255043000000 12VCC
6	422766	3-TRACK ELECTROVALVE	ELECTROVALVULA TRES VIAS	ELECTROVANNE TROIS VOIES
	156265	REGULATOR 3 L/MIN (BLACK)	REGULADOR DE 3 L/MIN. (NEGRO)	REGULATEUR 3 L/MIN (NOIR)
	300194	YELLOW CASE 30053	ESTUCHE AMARILLO 30053	BOITE JAUNE 30053
	300202	INTEGRAL GUIDE-MEMBRANE 30696	MEMBRANA-GUIA INTEGRAL 30696	MEMBRANE-GUIDE INTEGRALE 30696
	332296	COIL 255043000000 12VCC	BOBINA 255043000000 12VCC	BOBINE 255043000000 12VCC
7	129494	ELBOW FIG 92 1/2" GALV	FIGURA 92 DE 1/2"AMAT GALV.	COUDE FIG 92 1/2" GALV
8	341685	SPARE-PARTS KIT EV220A 12-14B	KIT REPUES.EV220A 12-14B	KIT RECHANGES EV220A 12-14B
9	333682	ELECTROVALVE BRACKET	SOPORTE ELECTROVALVULAS	SUPPORT ELECTROVANNES
10	156687	CONICAL END-PIECE R-16 D16	TOPE CONICO REPRIMSA R-16 D16	ARRET CONIQUE R-16 D16
11	146233	BICR.HEX SCREW DIN933-8 M6X15	TOR.EX.DIN933-8.8 B.TRI.M 6X15	VIS HEX DIN933-8.8 BICR.M6X15
12	410613	WATER INLET HOSE	TUBO ENTRADA AGUA	TUYAU ENTRÉE EAU
13	411389	WATER INLET HOSE	TUBO ENTRADA AGUA	TUBE ENTREE EAU
14	411397	WATER INLET HOSE	TUBO ENTRADA AGUA	TUBE ENTREE EAU
15	427187	WATER INLET HOSE	TUBO ENTRADA AGUA	TUBE ENTREE EAU
16	427229	WATER INLET HOSE	TUBO ENTRADA AGUA	TUBE ENTREE EAU
17	430942	WATER INLET HOSE	TUBO ENTRADA AGUA	TUBE ENTREE EAU
18	150227	BICR HEX NUT DIN934-8 M6	TUER.EX.DIN934-8 B.TRI.M 6	ECROU HEX DIN934-8 BICR.M6
19	333690	WATER INLET NUT	FIGURA 243 MI DE 1/2" LATON	ECROU ENTREE EAU
20	333708	VALVE EV220A 14B G12E NC000	CUERPO VAL.EV220A G12 042U4022	VANNE EV220A 14B G12E NC000

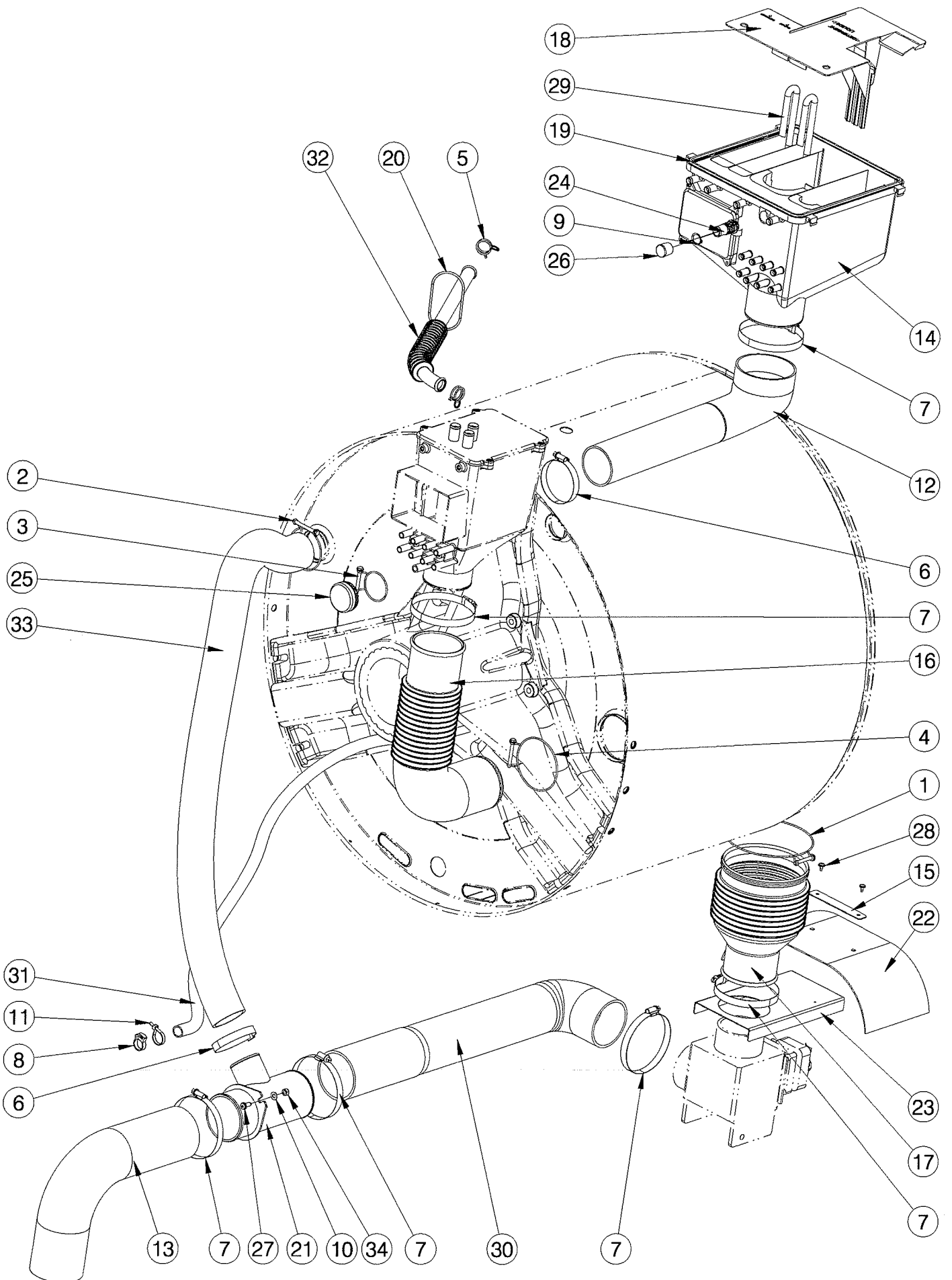


N°	REF.	DENOMINATION	DENOMINACIÓN	DÉNOMINATION
1	149526	BICR.WASHER B DIN125-ST 6,4	ARAN.B DIN125-ST B.TRI. 6,4	RONDELLE B DIN125-ST BICR.6,4
2	152165	BRANCH	BIFURCACION	BIFURCATION
3	333716	COIL AB 5W 12V CC 042N0806	BOBINA AB 5W 12V CC 042N0806	BOBINE AB 5W 12V CC 042N0806
4	333658	DISTRIBUTOR	DISTRIBUIDOR	DISTRIBUTEUR
5	323329	SIMPLE ELECTROVALVE 389 180 C	ELECTROV.SIMPLE 329 180S	ELECTROVANNE SIMPLE 389 180°C
	156265	REGULATOR 3 L/MIN (BLACK)	REGULADOR DE 3 L/MIN. (NEGRO)	REGULATEUR 3 L/MIN (NOIR)
	300194	YELLOW CASE 30053	ESTUCHE AMARILLO 30053	BOITE JAUNE 30053
	300202	INTEGRAL GUIDE-MEMBRANE 30696	MEMBRANA-GUIA INTEGRAL 30696	MEMBRANE-GUIDE INTEGRALE 30696
	332296	COIL 255043000000 12VCC	BOBINA 255043000000 12VCC	BOBINE 255043000000 12VCC
6	323311	4 TRACK ELECTROVALVE 389 180°C	ELECTROV.CUADRUPLE 389 180°	ELECTROVANNE 4 VOIES 389 180°C
	156265	REGULATOR 3 L/MIN (BLACK)	REGULADOR DE 3 L/MIN. (NEGRO)	REGULATEUR 3 L/MIN (NOIR)
	300194	YELLOW CASE 30053	ESTUCHE AMARILLO 30053	BOITE JAUNE 30053
	300202	INTEGRAL GUIDE-MEMBRANE 30696	MEMBRANA-GUIA INTEGRAL 30696	MEMBRANE-GUIDE INTEGRALE 30696
7	129494	ELBOW FIG 92 1/2" GALV	FIGURA 92 DE 1/2"AMAT GALV.	COUDE FIG 92 1/2" GALV
8	341685	SPARE-PARTS KIT EV220A 12-14B	KIT REPUES.EV220A 12-14B	KIT RECHANGES EV220A 12-14B
9	333682	ELECTROVALVE BRACKET	SOPORTE ELECTROVALVULAS	SUPPORT ELECTROVANNES
10	156687	CONICAL END-PIECE R-16 D16	TOPE CONICO REPRIMSA R-16 D16	ARRET CONIQUE R-16 D16
11	146233	BICR.HEX SCREW DIN933-8 M6X15	TOR.EX.DIN933-8.8 B.TRI.M 6X15	VIS HEX DIN933-8.8 BICR.M6X15
12	410613	WATER INLET HOSE	TUBO ENTRADA AGUA	TUYAU ENTRÉE EAU
13	411389	WATER INLET HOSE	TUBO ENTRADA AGUA	TUBE ENTREE EAU
14	411397	WATER INLET HOSE	TUBO ENTRADA AGUA	TUBE ENTREE EAU
15	427187	WATER INLET HOSE	TUBO ENTRADA AGUA	TUBE ENTREE EAU
16	427195	WATER INLET HOSE	TUBO ENTRADA AGUA	TUBE ENTREE EAU
17	427229	WATER INLET HOSE	TUBO ENTRADA AGUA	TUBE ENTREE EAU
18	430942	WATER INLET HOSE	TUBO ENTRADA AGUA	TUBE ENTREE EAU
19	150227	BICR HEX NUT DIN934-8 M6	TUER.EX.DIN934-8 B.TRI.M 6	ECROU HEX DIN934-8 BICR.M6
20	333690	WATER INLET NUT	FIGURA 243 MI DE 1/2" LATON	ECROU ENTREE EAU
21	333708	VALVE EV220A 14B G12E NC000	CUERPO VAL.EV220A G12 042U4022	VANNE EV220A 14B G12E NC000



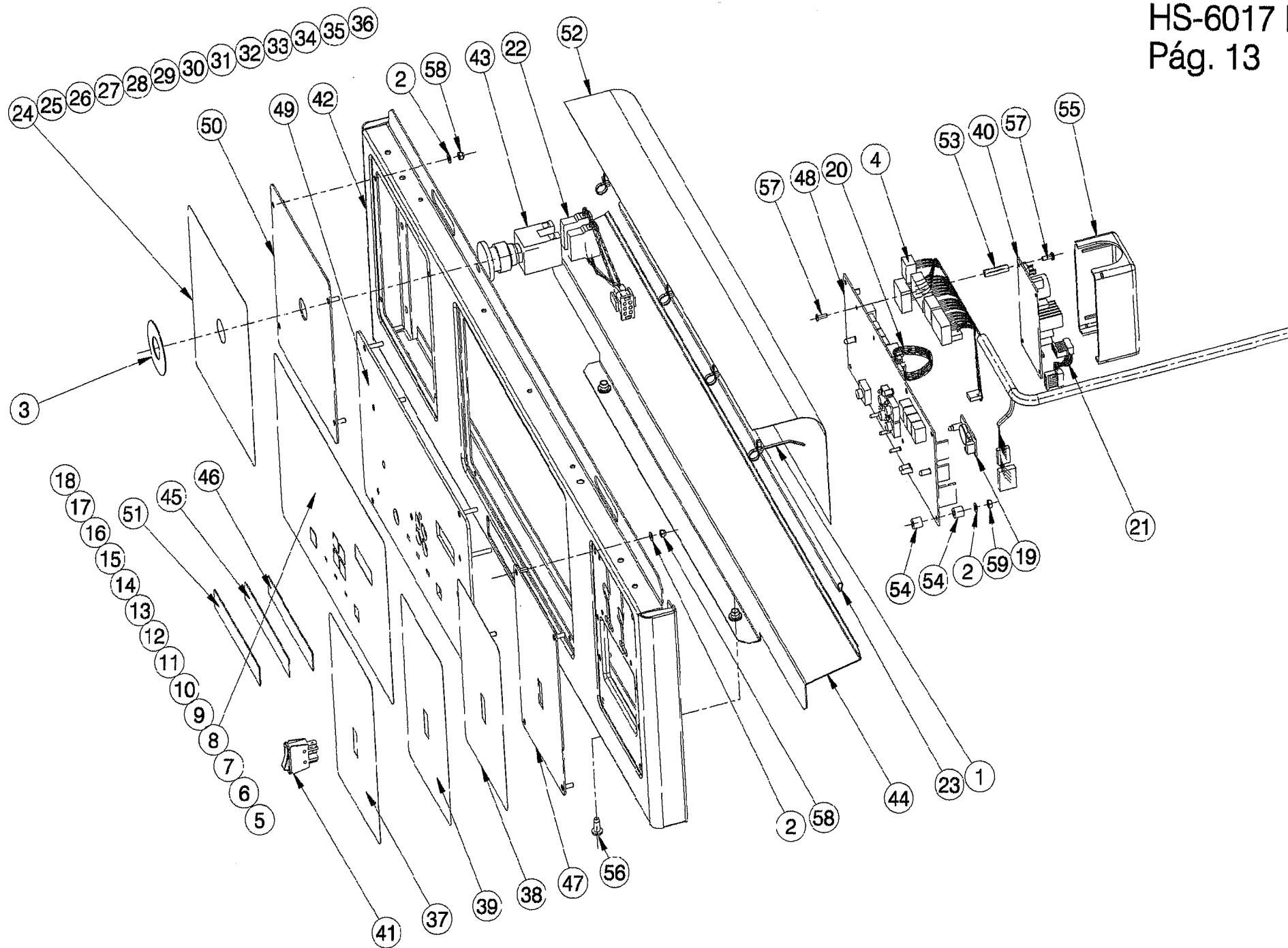
N°	REF.	DENOMINATION	DENOMINACIÓN	DÉNOMINATION
1	149476	BICR.WASHER B DIN125-ST 4,3	ARAN.B DIN125-ST B.TRI. 4,3	RONDELLE B DIN125-ST BICR.4,3
2	149526	BICR.WASHER B DIN125-ST 6,4	ARAN.B DIN125-ST B.TRI. 6,4	RONDELLE B DIN125-ST BICR.6,4
3	152165	BRANCH	BIFURCACION	BIFURCATION
4	321463	BRANCH OF 16-10,5-10,5	BIFURCACION DE 16-10,5-10,5	BIFURCATION DE 16-10,5-10,5
5	333716	COIL AB 5W 12V CC 042N0806	BOBINA AB 5W 12V CC 042N0806	BOBINE AB 5W 12V CC 042N0806
6	315317	FILTER BODY	CUERPO FILTRO	CORPS FILTRE
7	333658	DISTRIBUTOR	DISTRIBUIDOR	DISTRIBUTEUR
8	323311	4 TRACK ELECTROVALVE 389 180°C	ELECTROV.CUADRUPLE 389 180°	ELECTROVANNE 4 VOIES 389 180°C
	156265	REGULATOR 3 L/MIN (BLACK)	REGULADOR DE 3 L/MIN. (NEGRO)	REGULATEUR 3 L/MIN (NOIR)
	300194	YELLOW CASE 30053	ESTUCHE AMARILLO 30053	BOITE JAUNE 30053
	300202	INTEGRAL GUIDE-MEMBRANE 30696	MEMBRANA-GUIA INTEGRAL 30696	MEMBRANE-GUIDE INTEGRALE 30696
	332296	COIL 255043000000 12VCC	BOBINA 255043000000 12VCC	BOBINE 255043000000 12VCC
9	333674	TRIPLE ELECTROVALVE 369 180°	ELECTROV.TRIPLE 369 180°12VCC	ELECTROVANNE TRIPLE 369 180°
	156265	REGULATOR 3 L/MIN (BLACK)	REGULADOR DE 3 L/MIN. (NEGRO)	REGULATEUR 3 L/MIN (NOIR)
	300194	YELLOW CASE 30053	ESTUCHE AMARILLO 30053	BOITE JAUNE 30053
	300202	INTEGRAL GUIDE-MEMBRANE 30696	MEMBRANA-GUIA INTEGRAL 30696	MEMBRANE-GUIDE INTEGRALE 30696
	332296	COIL 255043000000 12VCC	BOBINA 255043000000 12VCC	BOBINE 255043000000 12VCC
10	129494	ELBOW FIG 92 1/2" GALV	FIGURA 92 DE 1/2"AMAT GALV.	COUDE FIG 92 1/2" GALV
11	315614	CONICAL FILTER	FILTRO CONICO REF.4008-2-1	FILTRE CONIQUE
12	114348	GASKET D24XD13,5X2	JUNTA MIFLEX D24X13,5X2	JOINT D24XD13,5X2
13	341685	SPARE-PARTS KIT EV220A 12-14B	KIT REPUES.EV220A 12-14B	KIT RECHANGES EV220A 12-14B
14	338152	ELECTROVALVE BRACKET	SOPORTE ELECTROVALVULAS	SUPPORT ELECTROVANNES
15	146258	BIC.HEX SCREW DIN933-4.8 M4X10	TOR.EX.DIN933-4.8 B.TRI.M 4X10	VIS HEX DIN933-4.8 BICR.M 4X10
16	146233	BICR.HEX SCREW DIN933-8 M6X15	TOR.EX.DIN933-8.8 B.TRI.M 6X15	VIS HEX DIN933-8.8 BICR.M6X15
17	326587	WATER INLET AC DI12,5 L1,5M	TUBO ENTRADA AC DI12,5 L1,5M	FLEXIBLE ENTRÉE AC DI12,5 L1,5
18	410613	WATER INLET HOSE	TUBO ENTRADA AGUA	TUYAU ENTRÉE EAU
19	411389	WATER INLET HOSE	TUBO ENTRADA AGUA	TUBE ENTREE EAU
20	411397	WATER INLET HOSE	TUBO ENTRADA AGUA	TUBE ENTREE EAU
21	427187	WATER INLET HOSE	TUBO ENTRADA AGUA	TUBE ENTREE EAU
22	427195	WATER INLET HOSE	TUBO ENTRADA AGUA	TUBE ENTREE EAU

N°	REF.	DENOMINATION	DENOMINACIÓN	DÉNOMINATION
23	427211	WATER INLET HOSE	TUBO ENTRADA AGUA	TUBE ENTREE EAU
24	427229	WATER INLET HOSE	TUBO ENTRADA AGUA	TUBE ENTREE EAU
25	150227	BICR HEX NUT DIN934-8 M6	TUER.EX.DIN934-8 B.TRI.M 6	ECROU HEX DIN934-8 BICR.M6
26	333690	WATER INLET NUT	FIGURA 243 MI DE 1/2" LATON	ECROU ENTREE EAU
27	333708	VALVE EV220A 14B G12E NC000	CUERPO VAL.EV220A G12 042U4022	VANNE EV220A 14B G12E NC000
		THIRD WATER INLET KITS	KITS TERCERA ENTRADA AGUA	KITS TROISIEME ENTREE EAU
	793513	THIRD WATER INLET KIT	KIT TERCERA ENTRADA AGUA	KIT TROISIEME ENTREE EAU



N°	REF.	DENOMINATION	DENOMINACIÓN	DÉNOMINATION
1	333450	WASHER D137XD2	ABRAZ.ALAMBRE D137XD2	RONDELLE D137XD2
2	340505	WASHER D58XD2	ABRAZ.ALAMBRE SWHCFS 5850	RONDELLE D58XD2
3	350439	WASHER SWHCFS 4942	ABRAZ.ALAMBRE SWHCFS 4942	RONDELLE SWHCFS 4942
4	333443	WASHER SWHCFS 8780	ABRAZ.ALAMBRE SWHCFS 8780	RONDELLE SWHCFS 8780
5	338897	CLAMP 20,2	ABRAZ.FIM 20202 B20,2	BRIDE 20,2
6	132290	CLAMP 301508-9 D50-70	ABRAZADERA 50- 70	BRIDE 301508-9 D50-70
7	132340	CLAMP 301510-0 D80-100	ABRAZADERA 80-100	BRIDE 301510-0 D80-100
8	323675	CLAMP NORMA 22HC0593	ABRAZADERA NORMA 22HC0593	COLLIER NORMA 22HC0593
9	131508	FLEXIBLE RING E-17 DIN 471	ANILLO ELASTICO E-17 DIN 471	BAGUE ELASTIQUE E-17 DIN 471
10	149526	BICR.WASHER B DIN125-ST 6,4	ARAN.B DIN125-ST B.TRI. 6,4	RONDELLE B DIN125-ST BICR.6,4
11	140525	CLAMP 2244-0	BRIDA UNEX 2244-0	BRIDE 2244-0
12	333534	RUBBER ELBOW 379X67	CODO GOMA 379X67	COUDE GOMME 379X67
13	163253	DRAIN OUTLET HOSE	TUBO SALIDA DESAGÜE	TUBE SORTIE VIDANGE
14	422485	SOAP DISPENSER SET	CONJUNTO DOSIFICADOR	ENSEMBLE BAC A PRODUITS
15	431700	DRAIN PROTECTION FIXING-PIECE	FIJACION PROTECCION DESAGÜE	FIXATION PROTECTION VIDANGE
16	333518	OUTERDRUM COLLECTOR BELLOWS	FUELLE COLECTOR ENVOLVENTE	DURITE COLLECTEUR CUVE
17	333500	OUTERDRUM DRAIN BELLOWS	FUELLE DESAGÜE ENVOLVENTE	DURITE VIDANGE CUVE
18	344101	SOAP DOSING INSERTO	INSERTO DOSIFICADOR	INSERTO BAC A PRODUITS
19	321430	SOAP DISPENSER GASKET	JUNTA DOSIFICADOR	JOINT BACS A PRODUITS
20	159681	TORIC GASKET 50X56X3 RE.2676	JUNTA TORICA 50X56X3	JOINT TORIQUE 50X56X3 REF.2676
21	333575	DRAIN SLEEVE	MANGUITO DESAGÜE	FRETTE VIDANGE
22	431692	DRAIN COIL PROTECTION	PROTECCION BOBINA DESAGÜE	PROTECTION BOBINE VIDANGE
23	423228	DRAIN PROTECTION	PROTECCION DESAGÜE	PROTECTION VIDANGE
24	321349	WATER INLET RACCORD	RACOR ENTRADA AGUA DIRECTA	RACCORD ENTREE EAU
25	349902	RUBBER PLUG D42	TAPON GOMA D42	BOUCHON GOMME D42
26	156687	CONICAL END-PIECE R-16 D16	TOPE CONICO REPRIMSA R-16 D16	ARRET CONIQUE R-16 D16
27	333625	SCREW T25 M6X15	TOR.ALOM.T25 A18EST.M6X15 TRI.	VIS T25 M6X15
28	183400	CYL.PLATE SCREW ST-4 20 C/AL	TOR.CHAPA ST-4 20 C/AL.T25	VIS PLAQUE CYL.ST-4 20 C/AL
29	339598	ASPIRATION HOSE	TUBO ASPIRACION	TUBE ASPIRATION
30	429803	DRAIN HOSE	TUBO DESAGÜE	TUBE VIDANGE

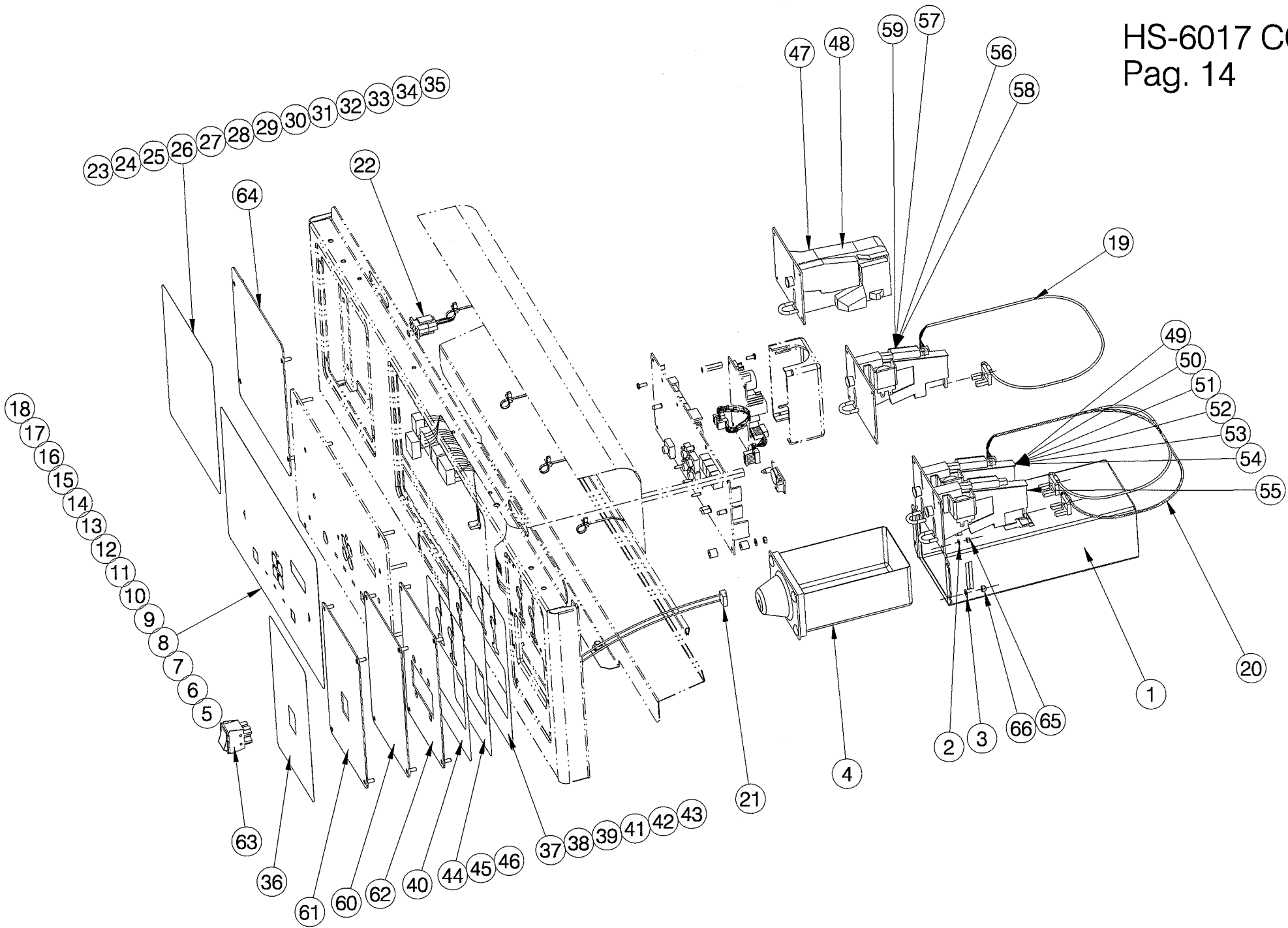
N°	REF.	DENOMINATION	DENOMINACIÓN	DÉNOMINATION
31	283820	BEARING BOX DRAIN HOSE	TUBO DESAGÜE CAJA COJINETES	TUBE VIDANGE BOITE ROULEMENTS
32	338889	VAPOUR OUTLET HOSE	TUBO DESVAPORIZADOR	TUBE SORTIE CONDENSATS
33	427419	OVERFLOW HOSE	TUBO REBOSADERO	TUBE DEVERSOIR
34	176834	SELFBLOCKING NUT DIN985 M-6	TUER.AUTOBL.DIN985-8 B.TRI.M6	ECROU AUTOBLOCANT DIN985 M-6
		SECOND DRAIN KIT	KIT 2° DESAGÜE	KIT DEUXIEME VIDANGE
796854		2 DRAIN KIT 200/50 HS-6IC	KIT 2° DESAG. 200/50 HS-6IC	KIT 2 VIDANGE 200/50 HS-6IC
796862		2 DRAIN KIT 200/60 HS-6IC	KIT 2° DESAG. 200/60 HS-6IC	KIT 2 VIDANGE 200/60 HS-6IC
796805		2 DRAIN KIT 208-415/50 HS6IC	KIT 2° DESAG.208-415/50 HS-6IC	KIT 2 VIDANGE 208-415/50 HS6IC
796847		2 DRAIN KIT 208-415/60 HS-6IC	KIT 2° DESAG.208-415/60 HS-6IC	KIT 2 VIDANGE 208-415/60 HS6IC



N°	REF.	DENOMINATION	DENOMINACIÓN	DÉNOMINATION
1	326132	CLAMP ABA-036-48-0152-B	ABRAZADERA ABA-036-48-0152-B	BRIDE ABA-036-48-0152-B
2	149476	BICR.WASHER B DIN125-ST 4,3	ARAN.B DIN125-ST B.TRI. 4,3	RONDELLE B DIN125-ST BICR.4,3
3	192294	YELLOW RING	ARO AMARILLO	BAGUE JAUNE
4	343509	HARNESS	CABLEADO ELECTRICO	CABLAGE
5	342741	WASHER-EXTRACTOR PLATE LC DA	CARATULA LAVADORA LC DA	PLAQUE LAVEUSE LC DA
6	338715	WASHER-EXTRACTOR PLATE LC DE	CARATULA LAVADORA LC DE	PLAQUE LAVEUSE LC DE
7	342782	WASHER-EXTRACTOR LC EL	CARATULA LAVADORA LC EL	PLAQUE LAVEUSE LC EL
8	303719	WASHER-EXTRACTOR PLATE LC EN	CARATULA LAVADORA LC EN	PLAQUE LAVEUSE LC EN
9	338699	WASHER-EXTRACTOR PLATE LC ES	CARATULA LAVADORA LC ES	PLAQUE LAVEUSE LC ES
10	342840	WASHER-EXTRACTOR PLATE LC FI	CARATULA LAVADORA LC FI	PLAQUE LAVEUSE LC FI
11	338707	WASHER-EXTRACTOR PLATE LC FR	CARATULA LAVADORA LC FR	PLAQUE LAVEUSE LC FR
12	338723	WASHER-EXTRACTOR PLATE LC IT	CARATULA LAVADORA LC IT	PLAQUE LAVEUSE LC IT
13	342865	WASHER-EXTRACTOR PLATE LC JA	CARATULA LAVADORA LC JA	PLAQUE LAVEUSE LC JA
14	342808	WASHER-EXTRACTOR PLATE LC NL	CARATULA LAVADORA LC NL	PLAQUE LAVEUSE LC NL
15	342725	WASHER-EXTRACTOR PLATE LC NO	CARATULA LAVADORA LC NO	PLAQUE LAVEUSE LC NO
16	342881	WASHER-EXTRACTOR PLATE LC PT	CARATULA LAVADORA LC PT	PLAQUE LAVEUSE LC PT
17	342766	WASHER-EXTRACTOR PLATE LC SV	CARATULA LAVADORA LC SV	PLAQUE LAVEUSE LC SV
18	341271	LC WASHER-EXTR.PLATE VIKING	CARATULA LAVADORA LC VIKING	PLAQUE LAVEUSE LC VIKING
19	322677	CLOCK CIRCUIT	CIRCUITO RELOJ	CIRCUIT HORLOGE
20	338186	IDENTIFICATION CENNECTOR	CONECTORA IDENTIFICACION	CONNECTEUR IDENTIFICATION
21	342451	INSTALLATION PLUG	CONECTORA INSTALACION	CONNECTEUR INSTALLATION
22	342006	EMERGENCY STOP PLUG	CONECTORA PARO EMERGENCIA	CONNECTEUR ARRET EMERGENCE
23	192021	PROFILE	ENCUADERNADOR P (NEGRO) 2MT.	PROFILE
24	342931	SAFETY INSTR.LABEL DA	ETIQUETA INSTR. SEGURIDAD DA	ETIQUETTE INSTR.SECURITE DA
25	338756	SAFETY INSTR.LABEL DE	ETIQUETA INSTR.SEGURIDAD DE.	ETIQUETTE INSTR.SECURITE DE
26	342972	SAFETY INSTR.LABEL EL	ETIQUETA INSTR. SEGURIDAD EL	ETIQUETTE INSTR.SECURITE EL
27	338020	SAFETY INSTR.LABEL EN	ETIQUETA INSTR. SEGURIDAD EN	ETIQUETTE INSTR.SECURITE EN
28	338731	SAFETY INSTR.LABEL ES	ETIQUETA INSTR.SEGURIDAD ES.	ETIQUETTE INSTR.SECURITE ES
29	343012	SAFETY INSTR.LABEL FI	ETIQUETA INSTR, SEGURIDAD FI	ETIQUETTE INSTR.SECURITE FI
30	338749	SAFERY INSTR.LABEL FR	ETIQUETA INSTR.SEGURIDAD FR.	ETIQUETTE INSTR.SECURITE FR

N°	REF.	DENOMINATION	DENOMINACIÓN	DÉNOMINATION
31	338764	SAFETY INSTR.LABEL IT	ETIQUETA INSTR.SEGURIDAD IT.	ETIQUETTE INSTR.SECURITE IT
32	343046	SAFETY INSTR.LABEL JA	ETIQUETA INSTR. SEGURIDAD JA	ETIQUETTE INSTR.SECURITE JA
33	342998	SAFETY INSTR.LABEL NL	ETIQUETA INSTR. SEGURIDAD NL	ETIQUETTE INSTR.SECURITE NL
34	342915	SAFETY INSTR.LABEL NO	ETIQUETA INSTR. SEGURIDAD NO	ETIQUETTE INSTR.SECURITE NO
35	343061	SAFETY INSTR.LABEL PT	ETIQUETA INSTR. SEGURIDAD PT	ETIQUETTE INSTR.SECURITE PT
36	342956	SAFETY INSTR.LABEL SV	ETIQUETA INSTR. SEGURIDAD SV	ETIQUETTE INSTR.SECURITE SV
37	338012	START-STOP LABEL	ETIQUETA MARCHA-PARO	ETIQUETTE MARCHE-ARRET
38	343962	START-STOP LABEL JA	ETIQUETA MARCHA-PARO JA	ETIQUETTE MARCHE-ARRET JA
39	344655	START-STOP LABEL JHC	ETIQUETA MARCHA-PARO JHC	ETIQUETTE MARCHE-ARRET JHC
40	332718	POWER SOURCE MW PS-25-12	FUENTE ALIMENT.MW PS-25-12	FONT ALIMENT.MW PS-25-12
41	300780	SWITCH 1WIXII/3359 WHITE	INTERRUPTOR C1500AL AAG	INTERRUPTEUR 1WIXII/3359 BLANC
42	431676	CONTROL PANEL	PANEL DE MANDOS	PANNEAU DE COMMANDES
43	341529	EMERGENCY STOP LC	PARO EMERGENCIA LC	ARRET EMERGENCE LC
44	423434	CONTROL PANEL PROFILE	PERFIL PANEL DE MANDOS	PROFILE PANNEAU DE COMMANDES
45	326082	PLATE CONTINENTAL GIRBAU	PLACA CONTINENTAL GIRBAU	PLAQUE CONTINENTAL GIRBAU
46	326074	PLATE GIRBAU	PLACA GIRBAU	PLAQUE GIRBAU
47	421263	SWITCH PLATE	PLACA INTERRUPTOR	PLAQUE INTERRUPTEUR
48	332361	MICROPROCESSOR BOARD HS-60**	PLACA MICROPROCESADOR HS-60**	PLAQUE MICROPROCESSEUR HS-60**
49	429894	CONTROL PANEL PLATE	PLACA PANEL DE MANDOS	PLAQUE PANNEAU DE COMMANDES
50	429886	EMERGENCY STOP PLATE	PLACA PARO EMERGENCIA	PLAQUE ARRET EMERGENCE
51	327023	PLATE VIKING	PLACA VIKING	PLAQUE VIKING
52	430454	MICRO BOARD PROTECTION	PROTECCION PLACA MICRO	PROTECTION PLAQUE MICRO
53	322685	SEPARATOR HEX.HS6-8	SEPARADOR EXAGONAL HS6-8	SEPARATEUR HEX. HS6-8
54	322768	SEPARATOR CIL.SS8-3L CPVC	SEPARADOR PLACA MICRO	SEPARATEUR CIL.SS8-3L CPVC
55	326843	MICROPROCESSOR PLATE COVER	TAPA PLACA MICROPROCESADOR	COUVERCLE PLAQUE MICROPROSSEUR
56	333294	SCREW T25 M6X15	TOR.ALOM.T25 AR.18ESTR.M 6X15	VIS T25 M6X15
57	322693	SCREW PT KB35X10 WN1412	TOR.EJOT PT SCREW K35X10*	VIS PT KN35X10 WN1412
58	132043	SELFBLOCKING NUT DIN985 M 4	TUER.AUTOBL.DIN985-8 B.TRI.M 4	ECROU AUTOBLOCANT DIN985 M 4
59	150185	BICR.HEX.NUT DIN934-8 M4	TUER.EX.DIN934-8 B.TRI.M 4	ECROU HEX.DIN934-8 BICR.M4

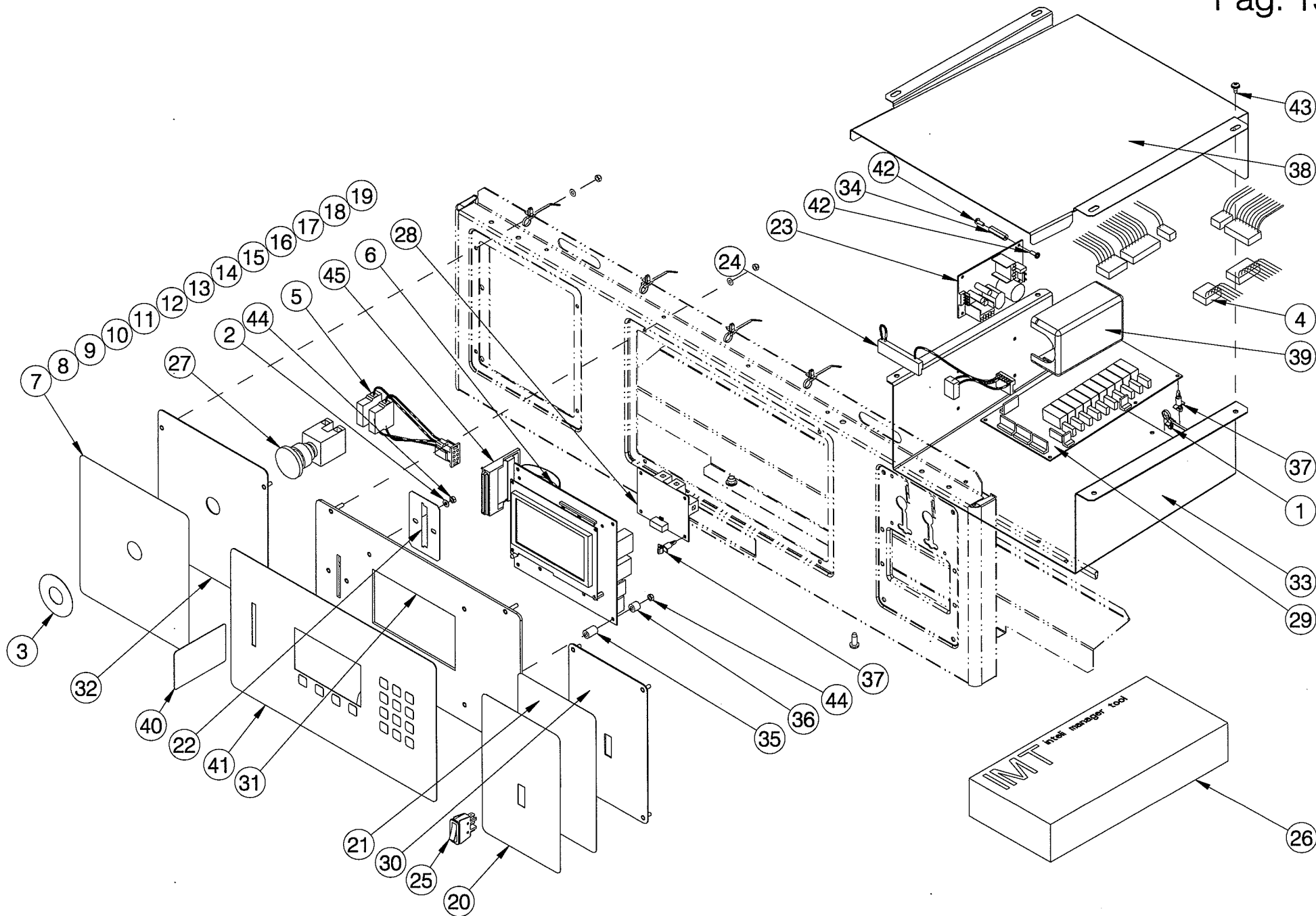
N°	REF.	DENOMINATION	DENOMINACIÓN	DÉNOMINATION
		FROM MACHINE N°	A PARTIR DE LA MÁQUINA N°	A PARTIR DE LA MACHINE N°
		2.120.251	2.120.251	2.120.251
		1.470.048	1.470.048	1.470.048
48	350538	MICROP.BOARD HS/MS-6 LC/CC	PLACA MICROP.HS/MS-6 LC/CC	PLAQUE MICROP.HS/MS-6 LC/CC



N°	REF.	DENOMINATION	DENOMINACIÓN	DÉNOMINATION
1	322313	COIN BOX SUPPORT	APOYO CAJON MONEDAS	APPUI BOITE MONNAIE
2	149484	BICR.WASHER B DIN125-ST 3,2	ARAN.B DIN125-ST B.TRI. 3,2	RONDELLE B.DIN125-ST BICR. 3,2
3	149476	BICR.WASHER B DIN125-ST 4,3	ARAN.B DIN125-ST B.TRI. 4,3	RONDELLE B DIN125-ST BICR.4,3
4	169169	COIN BOX UG400A GI	CAJA MONEDAS UG400A GI	BOITE MONNAIE UG400A GI
5	342733	WASHER-EXTRACTOR PLATE CC DA	CARATULA LAVADORA CC DA	PLAQUE LAVEUSE CC DA
6	338673	WASHER-EXTRACTOR PLATE CC DE	CARATULA LAVADORA CC DE	PLAQUE LAVEUSE CC DE
7	342774	WASHER-EXTRACTOR PLATE CC EL	CARATULA LAVADORA CC EL	PLAQUE LAVEUSE CC EL
8	303701	WASHER-EXTRACTOR PLATE CC EN	CARATULA LAVADORA CC EN	PLAQUE LAVEUSE CC EN
9	338657	WASHER-EXTRACTOR PLATE CC ES	CARATULA LAVADORA CC ES	PLAQUE LAVEUSE CC ES
10	342832	WASHER-EXTRACTOR PLATE CC FI	CARATULA LAVADORA CC FI	PLAQUE LAVEUSE CC FI
11	338665	WASHER-EXTRACTOR PLATE CC FR	CARATULA LAVADORA CC FR	PLAQUE LAVEUSE CC FR
12	338681	WASHER-EXTRACTOR PLATE CC IT	CARATULA LAVADORA CC IT	PLAQUE LAVEUSE CC IT
13	342857	WASHER-EXTRACTOR PLATE CC JA	CARATULA LAVADORA CC JA	PLAQUE LAVEUSE CC JA
14	342790	WASHER-EXTRACTOR PLATE CC NL	CARATULA LAVADORA CC NL	PLAQUE LAVEUSE CC NL
15	342717	WASHER-EXTRACTOR PLATE CC NO	CARATULA LAVADORA CC NO	PLAQUE LAVEUSE CC NO
16	342873	WASHER-EXTRACTOR PLATE CC PT	CARATULA LAVADORA CC PT	PLAQUE LAVEUSE CC PT
17	342758	WASHER-EXTRACTOR PLATE CC SV	CARATULA LAVADORA CC SV	PLAQUE LAVEUSE CC SV
18	339390	WASHER-EXTRAC.PLATE CC USA/CAN	CARATULA LAVADORA CC USA/CAN	PLAQUE LAVEUSE CC USA/CAN
19	322461	COIN-METER 1 PLUG	CONECTORA 1 MONEDERO	CONNECTEUR 1 MONNAYEUR
20	322453	COIN-METER 2 PLUG	CONECTORA 2 MONEDERO	CONNECTEUR 2 MONNAYEURS
21	411678	COIN-METER PLUG (WITH PUSH-BUTTON)	CONECTORA MONEDERO (CON PULSADOR)	CONNECTEUR MONNAYEUR (AVEC BOUTON-POUSSOIR)
22	341990	EMERGENCY STOP PLUG	CONECTORA PARO EMERGENCIA	CONNECTEUR ARRET EMERGENCE
23	342949	SAFETY INSTR.LABEL DA	ETIQUETA INSTR. SEGURIDAD DA	ETIQUETTE INSTR.SECURITE DA
24	339218	SAFETY INSTR.LABEL DE	ETIQUETA INSTR.SEGURIDAD DE.	ETIQUETTE INSTR.SECURITE DE
25	342980	SAFETY INSTR.LABEL EL	ETIQUETA INSTR. SEGURIDAD EL	ETIQUETTE INSTR.SECURITE EL
26	303693	SAFETY INSTR.LABEL EN	ETIQUETA INSTR. SEGURIDAD EN	ETIQUETTE INSTR.SECURITE EN
27	339192	SAFETY INSTR.LABEL ES	ETIQUETA INSTR.SEGURIDAD ES.	ETIQUETTE INSTR.SECURITE ES
28	343020	SAFETY INSTR.LABEL FI	ETIQUETA INSTR. SEGURIDAD FI	ETIQUETTE INSTR.SECURITE FI
29	339200	SAFETY INSTR.LABEL FR	ETIQUETA INSTR.SEGURIDAD FR.	ETIQUETTE INSTR.SECURITE FR

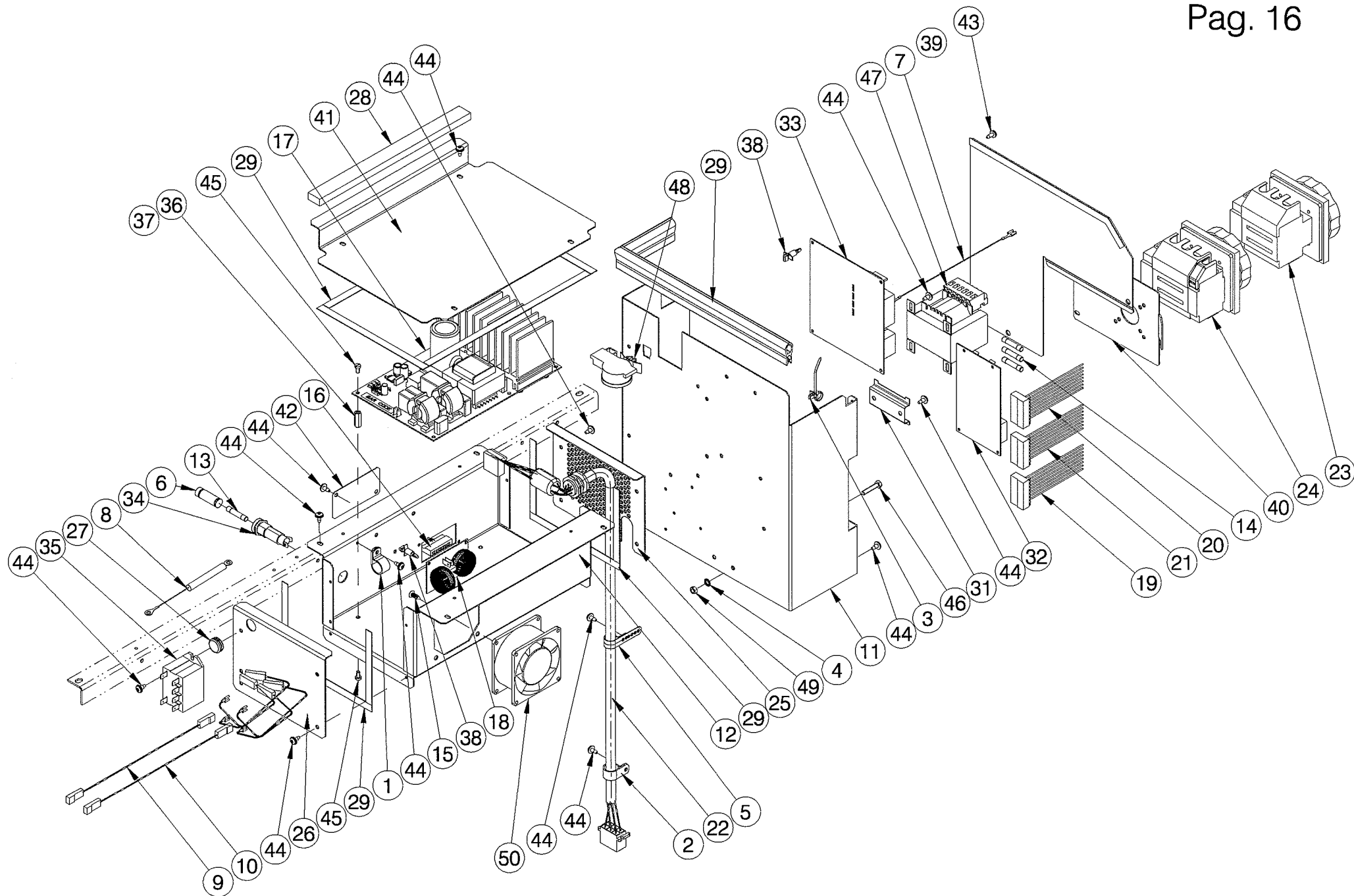
N°	REF.	DENOMINATION	DENOMINACIÓN	DÉNOMINATION
30	339226	SAFETY INSTR.LABEL IT	ETIQUETA INSTR.SEGURIDAD IT.	ETIQUETTE INSTR.SECURITE IT
31	343053	SAFETY INSTR.LABEL JAPANESE	ETIQUETA INSTR. SEGURIDAD JA	ETIQUETTE INSTR.SECURITE JA
32	343004	SAFETY INSTR.LABEL NL	ETIQUETA INSTR. SEGURIDAD NL	ETIQUETTE INSTR.SECURITE NL
33	342923	SAFETY INSTR.LABEL NO	ETIQUETA INSTR. SEGURIDAD NO	ETIQUETTE INSTR.SECURITE NO
34	343079	SAFETY INSTR.LABEL PT	ETIQUETA INSTR. SEGURIDAD PT	ETIQUETTE INSTR.SECURITE PT
35	342964	SAFETY INSTR.LABEL SV	ETIQUETA INSTR. SEGURIDAD SV	ETIQUETTE INSTR.SECURITE SV
36	429878	START-STOP LABEL CP	ETIQUETA MARCHA-PARO CP	ETIQUETTE MARCHE-ARRET CP
37	339325	COINMETER LABEL CC-MD EUR	ETIQUETA MONEDERO CC-MD EUR	ETIQUETTE MONNAYEUR CC-MD EUR
38	339507	COINMETER LABEL CC-MD GBP	ETIQUETA MONEDERO CC-MD GBP	ETIQUETTE MONNAYEUR CC-MD GBP
39	339515	COINMETER LABEL CC-MD NIS	ETIQUETA MONEDERO CC-MD NIS	ETIQUETTE MONNAYEUR CC-MD NIS
40	354043	COINMETER LABEL CC-MD NTD	ETIQUETA MONEDERO CC-MD NTD	ETIQUETTE MONNAYEUR CC-MD NTD
41	339499	COINMETER LABEL CC-MD USD	ETIQUETA MONEDERO CC-MD USD	ETIQUETTE MONNAYEUR CC-MD USD
42	342550	COINMETER LABEL CC-MD YEN	ETIQUETA MONEDERO CC-MD YEN	ETIQUETTE MONNAYEUR CC-MD YEN
43	339549	COINMETER LABEL CC-MS-25C	ETIQUETA MONEDERO CC-MS-25C	ETIQUETTE MONNAYEUR CC-MS-25C
44	339564	COINMETER LABEL CC-MS YEN	ETIQUETA MONEDERO CC-MS YEN	ETIQUETTE MONNAYEUR CC-MS YEN
45	339523	COINMETER LABEL CC-MS-FG	ETIQUETA MONEDERO CC-MS-FG	ETIQUETTE MONNAYEUR CC-MS-FG
46	339234	COINMETER LABEL CC-MU	ETIQUETA MONEDERO CC-MU	ETIQUETTE MONNAYEUR CC-MU
47	327353	COIN-METER EMP 500	MONEDERO EMP 500 EUROS	MONNAYEUR EMP 500
48	411223	COIN-METER EMP 500	MONEDERO EMP 500 NO EUROS	MONNAYEUR EMP 500
49	323741	COIN-METER F60.1W2403/0.2/2EUR	MONEDERO F60.1 0,20/2,00EUR	MONNAYEUR F60.1W2403/ 0.2/2EUR
50	326892	COIN-METER F60 1W2004-M3 12VAC	MONEDERO F60.1 0,25/1,00CAD	MONNAYEUR F60,1 0,25/1,00CAD
51	323659	COIN-METER F60 1W2004-M3 12VAC	MONEDERO F60.1 0,25/1,00USD	MONNAYEUR F60 1W2004-M3 12VAC
52	326769	COIN-METER F60.1 0,50/1,00 GBP	MONEDERO F60.1 0,50/1,00GBP	MONNAYEUR F60.1 0,50/1,00 GBP
53	326835	COIN-METER F60.1 1,00/5,00ILS	MONEDERO F60.1 1,00/5,00ILS	MONNAYEUR F60.1 1,00/5,00 ILS
54	431007	COINMETER F60.1 100/500 JPY	MONEDERO F60.1 100/500 JPY	MONNAYEUR F60.1 100/500 JPY
55	354035	COINMETER F60.1 10/50 NTD	MONEDERO F60.1 10/50NTD	MONNAYEUR F60.1 10/50 NTD
56	323642	COIN-METER F60,11W2004-M112VAC	MONEDERO F60.11 0,25USD	MONNAYEUR F60.11W2004-M1 12VAC
57	326777	COIN-METER F60.11 100YEN	MONEDERO F60.11 100YEN	MONNAYEUR F60.11 100YEN
58	344622	COIN-METER F60.11 10NTD	MONEDERO F60.11 10NTD	MONNAYEUR F60.11 10NTD

N°	REF.	DENOMINATION	DENOMINACIÓN	DÉNOMINATION
59	323733	COIN-METER F60.11W2000-TOKEN G	MONEDERO F60.11 FICHA GIRBAU	MONNAYEUR F60.11W2000 JETON GI
60	428656	BLIND PLATE	PLACA CIEGA	PLAQUE AVEUGLE
61	422998	SWITCH PLATE	PLACA INTERRUPTOR	PLAQUE INTERRUPTEUR
62	433532	CARD READER PLATE	PLACA LECTOR TARJETA	PLAQUE LECTEUR CARTE
63	138339	PUSH-BUTTON 2WIXII/5518 (WITH PUSH-BUTTON)	PULSADOR 2WIXII/5518 (CON PULSADOR)	BOUTON-POUSSOIR 2WIXII/5518 (AVEC BOUTON-POUSSOIR)
64	422972	CONTROL PANEL COVER	TAPA PANEL DE MANDOS	COUVERCLE PANNEAU DE COMMANDES
65	129692	SELFBLOCKING NUT DIN985 M 3	TUER.AUTOBL.DIN985-8 B.TRI.M 3	ECROU AUTOBLOCANT DIN985 M 3
66	132043	SELFBLOCKING NUT DIN985 M 4	TUER.AUTOBL.DIN985-8 B.TRI.M 4	ECROU AUTOBLOCANT DIN985 M 4
		WITHOUT ILLUSTRATION	SIN ILUSTRACION	SANS ILLUSTRATION
			.	.
			.	.
	796839	VENDING VN SERIE 6 SET	KIT VENDING VN SERIE 6	KIT VENDING VN SERIE 6



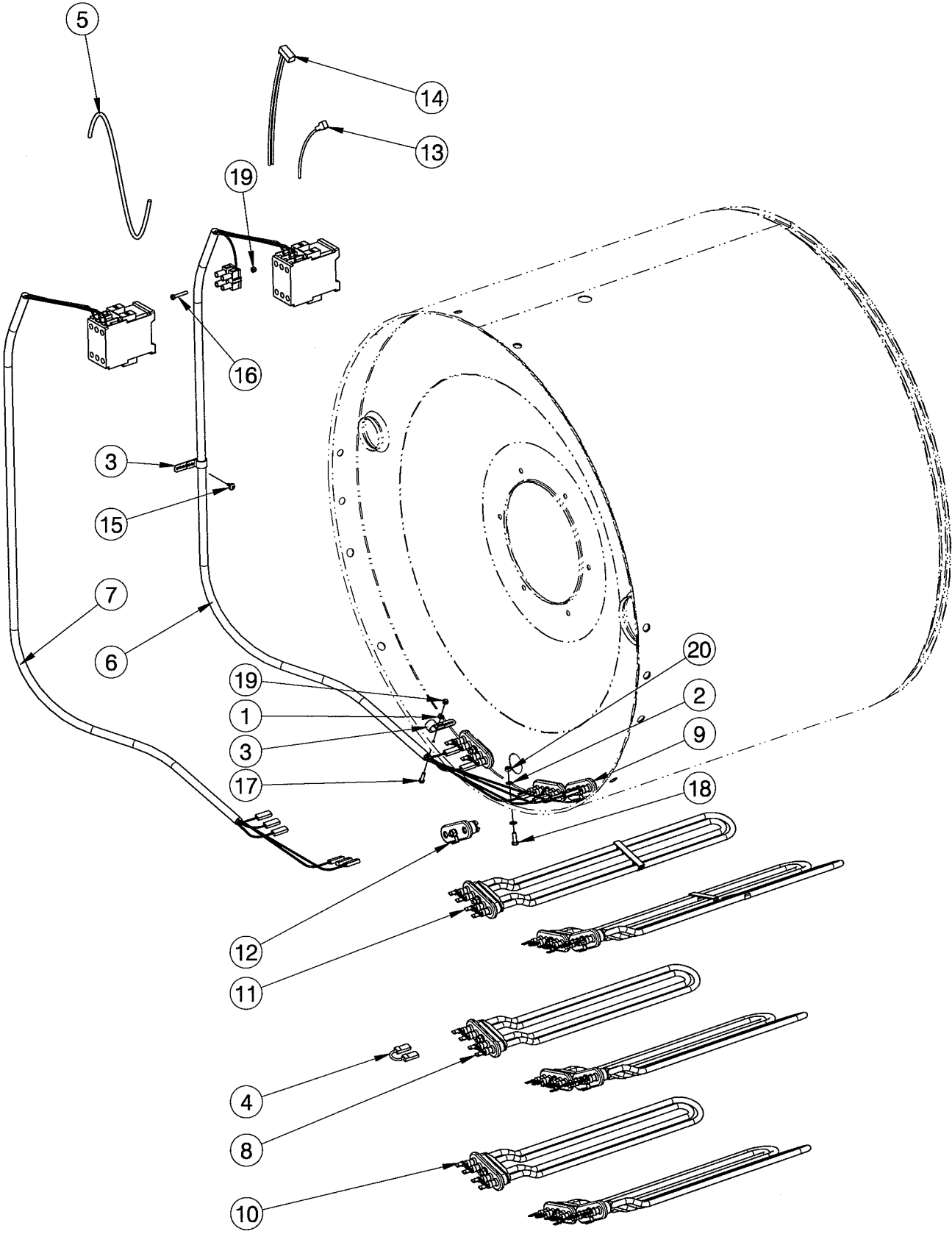
N°	REF.	DENOMINATION	DENOMINACIÓN	DÉNOMINATION
1	326132	CLAMP ABA-036-48-0152-B	ABRAZADERA ABA-036-48-0152-B	BRIDE ABA-036-48-0152-B
2	149476	BICR.WASHER B DIN125-ST 4,3	ARAN.B DIN125-ST B.TRI. 4,3	RONDELLE B DIN125-ST BICR.4,3
3	192294	YELLOW RING	ARO AMARILLO	BAGUE JAUNE
4	343558	HARNESS	CABLEADO ELECTRICO	CABLAGE
5	342014	EMERGENCY STOP PLUG	CONECTORA PARO EMERGENCIA	CONNECTEUR ARRET EMERGENCE
6	437434	SCREEN KIT LCD IC	CONJUNTO PANTALLA LCD IC	ENSEMBLE ÉCRAN LCD IC
	427179	INTELI DISPLAY	DISPLAY INTELI	DISPLAY INTELI
7	342931	SAFETY INSTR.LABEL DA	ETIQUETA INSTR. SEGURIDAD DA	ETIQUETTE INSTR.SECURITE DA
8	338756	SAFETY INSTR.LABEL DE	ETIQUETA INSTR.SEGURIDAD DE.	ETIQUETTE INSTR.SECURITE DE
9	342972	SAFETY INSTR.LABEL EL	ETIQUETA INSTR. SEGURIDAD EL	ETIQUETTE INSTR.SECURITE EL
10	338020	SAFETY INSTR.LABEL EN	ETIQUETA INSTR. SEGURIDAD EN	ETIQUETTE INSTR.SECURITE EN
11	338731	SAFETY INSTR.LABEL ES	ETIQUETA INSTR.SEGURIDAD ES.	ETIQUETTE INSTR.SECURITE ES
12	343012	SAFETY INSTR.LABEL FI	ETIQUETA INSTR, SEGURIDAD FI	ETIQUETTE INSTR.SECURITE FI
13	338749	SAFERY INSTR.LABEL FR	ETIQUETA INSTR.SEGURIDAD FR.	ETIQUETTE INSTR.SECURITE FR
14	338764	SAFETY INSTR.LABEL IT	ETIQUETA INSTR.SEGURIDAD IT.	ETIQUETTE INSTR.SECURITE IT
15	343046	SAFETY INSTR.LABEL JA	ETIQUETA INSTR. SEGURIDAD JA	ETIQUETTE INSTR.SECURITE JA
16	342998	SAFETY INSTR.LABEL NL	ETIQUETA INSTR. SEGURIDAD NL	ETIQUETTE INSTR.SECURITE NL
17	342915	SAFETY INSTR.LABEL NO	ETIQUETA INSTR. SEGURIDAD NO	ETIQUETTE INSTR.SECURITE NO
18	343061	SAFETY INSTR.LABEL PT	ETIQUETA INSTR. SEGURIDAD PT	ETIQUETTE INSTR.SECURITE PT
19	342956	SAFETY INSTR.LABEL SV	ETIQUETA INSTR. SEGURIDAD SV	ETIQUETTE INSTR.SECURITE SV
20	338012	START-STOP LABEL	ETIQUETA MARCHA-PARO	ETIQUETTE MARCHE-ARRET
21	343962	START-STOP LABEL JA	ETIQUETA MARCHA-PARO JA	ETIQUETTE MARCHE-ARRET JA
22	423020	CARD FIXING-PIECE SMARTCARD	FIJACION TARJETA SMARTCARD	FIXATION TARGETTE SMARTCARD
23	332718	POWER SOURCE MW PS-25-12	FUENTE ALIMENT.MW PS-25-12	FONT ALIMENT.MW PS-25-12
24	341875	CONNECTION ELEC.INST.A1-A5	INST. ELEC. CONEXION A1-A5	INST.ELEC.CONNECTION A1-A5
25	300780	SWITCH 1WIXII/3359 WHITE	INTERRUPTOR C1500AL AAG	INTERRUPTEUR 1WIXII/3359 BLANC
26	432948	INTELI MANAGER TOOL PACK	PACK INTELI MANAGER TOOL	PACK INTELI MANAGER TOOL
27	341511	EMERGENCY STOP IC	PARO EMERGENCIA IC	ARRET EMERGENCE IC
28	343616	COM-B COMMUNICATIONS BOARD	PLACA COMUNICACIONES COM-B	PLAQUE COMMUNICATIONS COM-B
29	353326	INTELI LABEL E/S-1/D	PLACA INTELI E/S-1/D	PLAQUE INTELI E/S-1/D

N°	REF.	DENOMINATION	DENOMINACIÓN	DÉNOMINATION
30	421263	SWITCH PLATE	PLACA INTERRUPTOR	PLAQUE INTERRUPTEUR
31	429902	CONTROL PANEL PLATE	PLACA PANEL DE MANDOS	PLAQUE PANNEAU DE COMMANDE
32	429886	EMERGENCY STOP PLATE	PLACA PARO EMERGENCIA	PLAQUE ARRET EMERGENCE
33	431031	BRACKET PLATE E/S 1A	PLANCHA SOPORTE E/S 1A	PLAQUE SUPPORT E/S 1A
34	322685	SEPARATOR HEX.HS6-8	SEPARADOR EXAGONAL HS6-8	SEPARATEUR HEX. HS6-8
35	338038	NYLON SEPARATOR D10XD5X14.7	SEPARADOR NYLON D10XD5X14.7	SEPARATEUR NYLON D10XD5X14.7
36	322768	SEPARATOR CIL.SS8-3L CPVC	SEPARADOR PLACA MICRO	SEPARATEUR CIL.SS8-3L CPVC
37	332809	CIRCUIT BRACKET LCBS-4-7-01	SOPORTE CIRCUITO LCBS-4-7-01	SUPPORT CIRCUIT LCBS-4-7-01
38	431015	SET COVER E/S 1A	TAPA CONJUNTO E/S 1A	COUVERCLE ENSEMBLE E/S 1A
39	326843	MICROPROCESSOR PLATE COVER	TAPA PLACA MICROPROCESADOR	COUVERCLE PLAQUE MICROPROSSEUR
40	340539	INTELI SMARTCARD CARD	TARJETA SMARTCARD INTELI	CARTE SMARTCARD INTELI
41	338046	IC WASHER EXTRACTOR KEYBOARD	TECLADO LAVADORA IC	CLAVIER MACHINE A LAVER IC
42	322693	SCREW PT KB35X10 WN1412	TOR.EJOT PT SCREW K35X10*	VIS PT KN35X10 WN1412
43	183400	CYL.PLATE SCREW ST-4 20 C/AL	TOR.CHAPA ST-4 20 C/AL.T25	VIS PLAQUE CYL.ST-4 20 C/AL
44	150185	BICR.HEX.NUT DIN934-8 M4	TUER.EX.DIN934-8 B.TRI.M 4	ECROU HEX.DIN934-8 BICR.M4
45	332684	INTELI SMARTCARD SOCKET	ZOCALO TARJETA INTELI *	SOCLE TARGETTE SMARTCARD INTEL



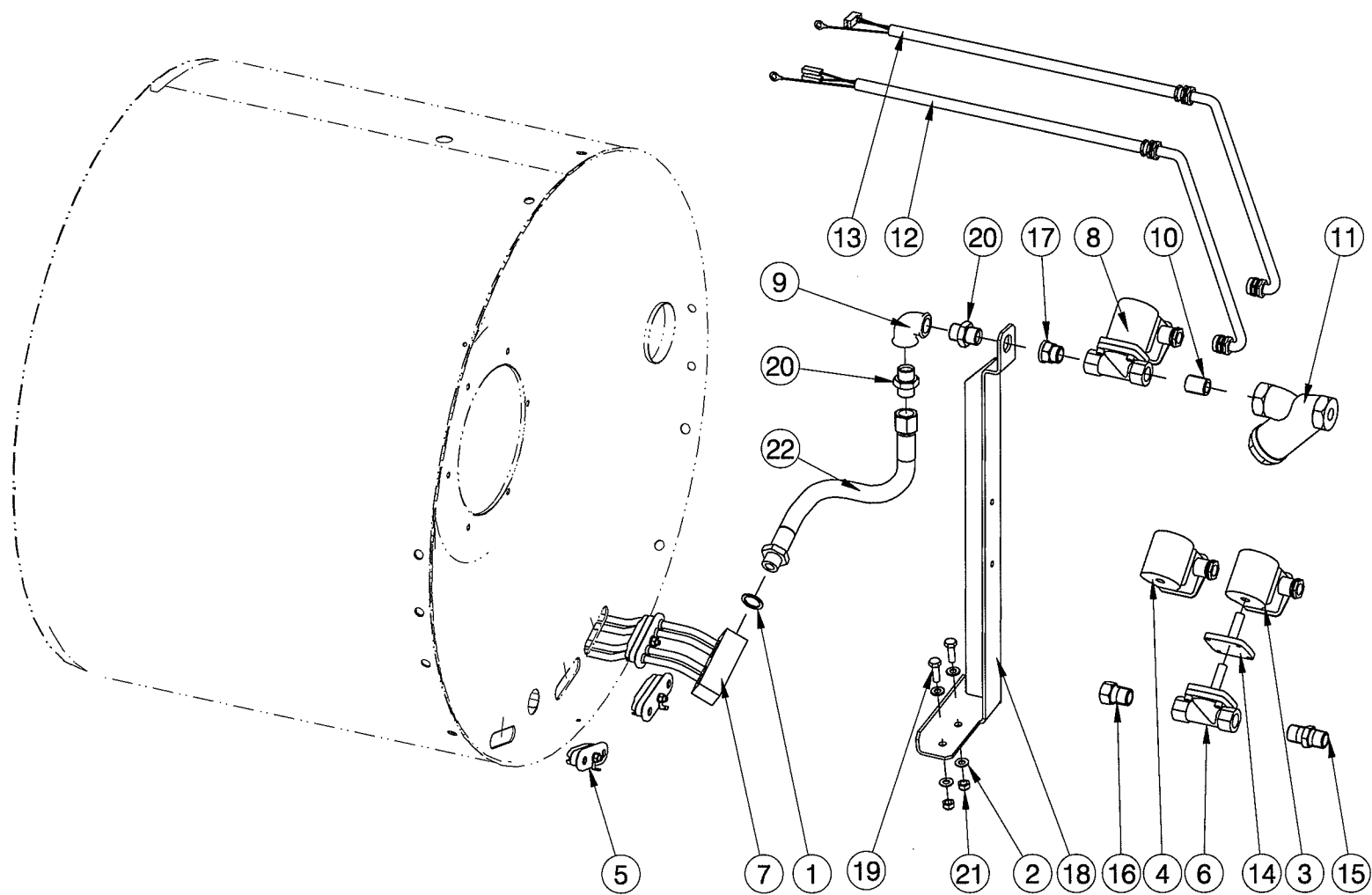
N°	REF.	DENOMINATION	DENOMINACIÓN	DÉNOMINATION
1	323055	ALUMINIUM CLAMP AL2	ABRAZADERA ALUMINIO AL2	BRIDE ALUMINIUM AL2
2	332957	ALUMINIUM CLAMP AL9	ABRAZADERA ALUMINIO AL9	BRIDE ALUMINIUM AL9
3	326132	CLAMP ABA-036-48-0152-B	ABRAZADERA ABA-036-48-0152-B	BRIDE ABA-036-48-0152-B
4	149724	BICR EXT.TOOT.WASH.DIN6798 M5	ARAN.DEN.EXT.B.TRI.DIN6798M 5	RONDEL DEN.EX.BICR.DIN6798 M5
5	140418	CLAMP UNEX REF 1201	BRIDA UNEX 1201	BRIDE UNEX REF 1201
6	137661	BAYONET HEAD	CABEZA BAYONETA FEK.031.1613	TETE BAYONETTE
7	430231	EXTERNAL DOSING WIRE (EH040)	CABLE DOSIFICACION EXT. (EH040)	CABLE DOSAGE EXTERNE (EH040)
8	453548	FILTER WIRE CEM (EH040)	CABLE FILTRO CEM (EH040)	CABLE FILTRE CEM (EH040)
9	341818	CONVERTER WIRES (EH040)	CABLES CONVERTIDOR (EH040)	CABLES CONVERTISSEUR (EH040)
10	344358	CONVERTER WIRES (HS-6017)	CABLES CONVERTIDOR (HS-6017)	CABLES CONVERTISSEUR (HS-6017)
11	431098	POWER INLET BOX	CAJA ENTRADA CORRIENTE	BOITE ENTREE COURANT
12	431049	VARIATOR BOX	CAJA VARIADOR	BOITE VARIATEUR
13	339127	FUSE SPT 0001.2534 10A	CART.FUSIB.SPT 0001.2534 10A	CARTOUCHE SPT 0001.2534 10A
14	321125	FUSE SPT 1 A	CART.FUSIB.SPT 0001.2524 1 A	CARTOUCHE FUS. SPT 1 A
15	348540	CLIP UNDER PRESSURE	CLIP A PRESION	CLIP A PRESSION
16	341859	CONVERTER PLUG	CONECTORA CONVERTIDOR	CONNECTEUR CONVERTISSEUR
17	332734	FREQ.INVERTER DANFOSS 1800 (HS-6017)	CONVERTIDOR FREC.DANFOSS 1800 (HS-6017)	CONVERTISSEUR FREQ.DANFOSS1800 (HS-6017)
18	344325	EMC AUXILIARY FILTER (HS-6017)	FILTRO EMC AUXILIAR (HS-6017)	FILTRE EMC AUXLIAIRE (HS-6017)
19	341974	ELECTROVALVE ELEC.INST. (FOR MOD. LOGI/COIN CONTROL)	INST. ELEC. ELECTROVALVULAS (PARA MOD. LOGI/COIN CONTROL)	INST.ELEC.ELECTROVANNES (POUR MOD. LOGI/COIN CONTROL)
20	342600	ELEC.INST. WITHOUT TRANSFORMER (EH040)	INST. ELEC. SIN TRANSFORMADOR (EH040)	INST.ELEC.SANS TRANSFORMATEUR (EH040)
21	341867	TRANSFORMER ELEC.INST. (HS-6017)	INST. ELEC. TRANSFORMADOR (HS-6017)	INST.ELEC.TRANSFORMATEUR (HS-6017)
22	341842	MOTOR ELEC.INST.	INST. ELEC. MOTOR	INST.ELEC.MOTEUR
23	344176	SECTION SWITCH 32A (FOR MOD. HOT WATER/STEAM)	INTERRUPTOR SECCIONADOR 32A (PARA MOD.AGUA CALIENTE/VAPOR)	INTERRUPTEUR SECTIONNEUR 32A (POUR MOD.EAU CHAUDE/VAPEUR)
24	344168	SECTION SWITCH 63A (FOR MACHINES ELECTR.HEATING)	INTERRUPTOR SECCIONADOR 63A (PARA MODELOS CALEFAC.ELECTR.)	INTERRUPTEUR SECTIONNEUR 63A (POUR MACHINES CHAUF.ELECTR.)

N°	REF.	DENOMINATION	DENOMINACIÓN	DÉNOMINATION
25	422535	VARIATOR BOX SIDE PANEL	LATERAL CAJA VARIADOR	LATERAL BOITE VARIATEUR
26	431056	VARIATOR BOX SIDE PANEL	LATERAL CAJA VARIADOR	LATERAL BOITE VARIATEUR
27	332601	SHEATH-LODGING DGB-7	PASAMUROS DGB-7	LOGEMENT DGB-7
28	439000	COVER SHOCK-ABSORBER PROFILE	PERFIL AMORTIGUADOR TAPA	PROFIL AMORTISSEUR COUVERCLE
29	431197	POWER INLET BOX PROFILE	PERFIL CAJA ENTRADA CORRIENTE	PROFILE BOITE ENTREE COURANT
30	321273	PROFILE E0819T00000 UL94HB	PERFIL E0813T00000 UL94HB	PROFILE E0819T00000 UL94HB
31	431106	CONTACTOR FIXING PROFILE	PERFIL FIJACION CONTACTORES	PROFILE FIXATION CONTACTEURS
32	332395	AUXILIARY PLATE HS-60**	PLACA AUXILIAR HS-60**	PLAQUE AUXILIAIRE HS-60**
33	332544	INTELI PLATE E/S-2/A (FOR MOD. INTELI CONTROL)	PLACA INTELI E/S-2/A (PARA MOD. INTELI CONTROL)	PLAQUE INTELI E/S-2/A (POUR MOD. INTELI CONTROL)
34	160119	FUSE HOLDER REF.FEC 031 1631	PORTAFUSIBLES REF.FEC.031.1631	PORTE-FUSIBLE REF.FEC 031 1631
35	322701	RELAY OMROM G7L-2A-TUB 12VDC	RELE OMRON G7L-2A-TUB 12VDC	RELAIS OMROM G7L-2A-TUB 12VDC
36	332726	HEX SEPARATOR HTSB-M4-20-7-1 (HS-6017) (6 UNITS) (EH040) (1 UNIT)	SEPARADOR HEX.HTSB-M4-20-7-1 (HS-6017) (6 UNIDADES) (EH040) (1 UNIDAD)	SEPARATEUR HEX HTSB-M4-20-7-1 (HS-6017) (6 UNITÉS) (EH040) (1 UNITÉ)
37	341933	HEX SEPARATOR HTSN-M4-20-8-1 (EH040) (5 UNITS)	SEPARADOR HEX.HTSN-M4-20-8-1 (EH040) (5 UNIDADES)	SEPARATEUR HEX HTSN-M4-20-8-1 (EH040) (5 UNITÉS)
38	332809	CIRCUIT BRACKET LCBS-4-7-01	SOPORTE CIRCUITO LCBS-4-7-01	SUPPORT CIRCUIT LCBS-4-7-01
39	431684	POWER INLET COVER	TAPA ENTRADA CORRIENTE	COUVERCLE ENTREE COURANT
40	431114	SELECTOR COVER	TAPA SELECTOR	COUVERCLE SELECTEUR
41	431148	VARIATOR COVER	TAPA VARIADOR	COUVERCLE VARIATEUR
42	430991	VARIATOR PLUG COVER	TAPETA CONECTOR VARIADOR	COUVERCLE CONNECTEUR VARIATEUR
43	328229	SCREW ALO.T25 AR.18ESTR M 4X10	TOR.ALOM.T25 AR.18ESTR.M 4X10	VIS ALOM.T25 AR.18ESTR.M 4X10
44	183400	CYL.PLATE SCREW ST-4 20 C/AL	TOR.CHAPA ST-4 20 C/AL.T25	VIS PLAQUE CYL.ST-4 20 C/AL
45	146076	BICR ROUND SCREW DIN84 M 4X 8	TOR.CIL.DIN84-4.8 B.TRI.M 4X 8	VIS ROND BICR DIN84-4.8 M 4X 8
46	146225	BI.HEX SCREW DIN933-8.8 M-5X25	TOR.EX.DIN933-8.8 B.TRI.M 5X25	VIS HEX BICR.DIN933-8.8 M-5X25
47	320614	TRANSFORMER IP00 100 VA (HS-6017)	TRANSFORMADOR IP00 100 VA (HS-6017)	TRANSFORMATEUR IP00 100 VA (HS-6017)
48	322784	PRESSURE TRANSMITTER 400.95100	TRANSM.PRESION HUBA 400.95100	PRESSOSTAT HUBA 400.95100
49	150177	BICR HEX NUT DIN934-8 M5	TUER.EX.DIN934-8 B.TRI.M 5	ECROU HEX DIN934-8 BIC.M5
50	420976	CONVERTER FAN	VENTILADOR CONVERTIDOR	VENTILATEUR CONVERTISSEUR



N°	REF.	DENOMINATION	DENOMINACIÓN	DÉNOMINATION
		ELECTRIC HEATING KITS	KITS CALEFACCIÓN ELÉCTRICA	KITS CHAUFFAGE ELECTRIQUE
	796920	EHK 1PH 200-230 (HS-6017)	KCE 1PH 200-230V (HS-6017)	KCE 1PH 200-230V (HS-6017)
	796938	EHK 1PH (208-240)/240)V (EH040) (FOR 208-240V) (HS-6017) (FOR 240V)	KCE 1PH (208-240) / 240V (EH040) (PARA 208-240V) (HS-6017) (PARA 240V)	KCE.1PH (208-240)/240)V (EH040) (POUR 208-240V) (HS-6017) (POUR 240V)
	796946	EHK 3PH 200-230/380-440V (HS-6017)	KCE 3PH 200-230/380-440V (HS-6017)	KCE 3PH 200-230/380-440V (HS-6017)
	796953	EHK E.3PH(208-240)/240/415 (EH040) (FOR 208-240V) (HS-6017) (FOR 240 AND 415V)	KCE 3PH (208-240)/240/415V (EH040) (PARA 208-240V) (HS-6017) (PARA 240 Y 415V)	KCE E.3PH(208-240)/240/415 (EH040) (POUR 208-240V) (HS-6017) (POUR 240 ET 415V)
1	149476	BICR.WASHER B DIN125-ST 4,3	ARAN.B DIN125-ST B.TRI. 4,3	RONDELLE B DIN125-ST BICR.4,3
2	149534	BICR.WASHER B DIN125-ST 5,3	ARAN.B DIN125-ST B.TRI. 5,3	RONDELLE B BICR.DIN125-ST 5,3
3	140418	CLAMP UNEX REF 1201	BRIDA UNEX 1201	BRIDE UNEX REF 1201
4	344366	HEATER BRIDGE WIRE (FOR 1000/2000W)	CABLE PUENTE CALEFACTOR (PARA 1000/2000W)	CABLE PONT RESISTANCE (POUR 1000/2000W)
5	341941	CONTACTOR SUPPLY WIRES	CABLES ALIMENTACION CONTACTOR	CABLES ALIMENTATION CONTACTEUR
6	341826	HEATING CONTACTOR WIRES (FOR THREE-PHASE)	CABLES CONTACTOR CALEFACCION (PARA TRIFASICO)	CABLES CONTACTEUR CHAUFFAGE (POUR TRIPHASE)
7	341834	HEATING CONTACTOR WIRES (FOR SINGLE-PHASE)	CABLES CONTACTOR CALEFACCION (PARA MONOFASICO)	CABLES CONTACTEUR CHAUFFAGE (POUR MONOPHASE)
8	332577	HEATER 230V 2000/1000 W	CALEFACTOR 230V 2000/1000 W	RESISTANCE 230V 2000/1000 W
9	333104	HEATER 230V 5000W	CALEFACTOR 230V 5000W	RESISTANCE 230V 5000W
10	332569	HEATER 240V 2000/1000W	CALEFACTOR 240V 2000/1000W	RESISTANCE 240V 2000/1000W
11	333112	HEATER 240V 5000W	CALEFACTOR 240V 5000W	RESISTANCE 240V 5000W
12	121962	HEATER INLET LID	CIERRE ENTRADA CALEFACTOR	FERMETURE ENTREE RESISTANCE
13	341891	HEATING AUX.ELEC.INST. (FOR MOD. INTELI CONTROL)	INST. ELEC. AUX. CALEFACCION (PARA MOD. INTELI CONTROL)	INST.ELEC.AUX.CHAUFFAGE (POUR MOD. INTELI CONTROL)
14	341966	HEATING RELAY ELEC.INST. (FOR MOD. LOGI/COIN CONTROL)	INST. ELEC. RELE CALEFACCION (PARA MOD. LOGI/COIN CONTROL)	INST.ELEC.RELAIS CHAUFFAGE (POUR MOD. LOGI/COIN CONTROL)
15	183400	CYL.PLATE SCREW ST-4 20 C/AL	TOR.CHAPA ST-4 20 C/AL.T25	VIS PLAQUE CYL.ST-4 20 C/AL
16	146183	BICR CYL SCREW DIN 84 M-4X25	TOR.CIL.DIN84-4.8 B.TRI.M 4X25	VIS CYL BICR DIN 84 M-4X25

N°	REF.	DENOMINATION	DENOMINACIÓN	DÉNOMINATION
17	146266	BICR.HEX SCREW DIN933-8 M-4X15	TOR.EX.DIN933-4.8 B.TRI.M 4X15	VIS HEX BICR.DIN933-8.8 M-4X15
18	146282	BICR.HEX SCREW DIN933-8 M 5X15	TOR.EX.DIN933-8.8 B.TRI.M 5X15	VIS HEX BICR.DIN933-8.8 M 5X15
19	132043	SELFBLOCKING NUT DIN985 M 4	TUER.AUTOBL.DIN985-8 B.TRI.M 4	ECROU AUTOBLOCANT DIN985 M 4
20	176826	SELF-BLOCKING NUT DIN 985 M-5	TUER.AUTOBL.DIN985-8 B.TRI.M5	ECROU AUTOBLOCANT DIN 985 M-5



N°	REF.	DENOMINATION	DENOMINACIÓN	DÉNOMINATION
		STEAM HEATING KITS	KITS CALEFACCIÓN VAPOR	KITS CHAUFFAGE VAPEUR
	796771	STEAM KIT H13-17 IC 50HZ	KIT CAL.VAPOR H13-17 IC 50 HZ	KIT CHAUF.VAP.H13-17 IC 50HZ
	796763	STEAM KIT H13-17 IC 60HZ	KIT CAL.VAPOR H13-17 IC 60 HZ	KIT CHAUF.VAP.H13-17 IC 60HZ
	796797	STEAM KIT H13-17 CC-LC 50HZ	KIT CAL.VAPOR H13-17 CC-LC50HZ	KIT CHAUF.VAP.H13-17 CC-LC 50H
	796789	STEAM KIT H13-17 CC-LC 60HZ	KIT CAL.VAPOR H13-17 CC-LC60HZ	KIT CHAUF.VAP.H13-17 CC-LC 60H
1	109777	COPPER GASKET 1/2"	12504 JUNTA COBRE 1/2"	JOINT CUIVRE 1,2"
2	149518	BICR.WASHER B DIN125-ST 8,4	ARAN.B DIN125-ST B.TRI. 8,4	RONDELLE.B DIN125-ST BICR.8,4
3	405415	COIL 240V 60HZ (FOR 60 HZ)	BOBINA 240V.60HZ. (PARA 60 HZ)	BOBINE 240V 60HZ (POUR 60 HZ)
4	159806	COIL 32K7771 220/50 (FOR 50 HZ)	BOBINA DANFOSS 32K7771 220/50 (PARA 50 HZ)	BOBINE 32K7771 220/50 (POUR 50 HZ)
5	121962	HEATER INLET LID (FOR MOD. HOT WATER/STEAM)	CIERRE ENTRADA CALEFACTOR (PARA MOD.AGUA CALIENTE/VAPOR)	FERMETURE ENTREE RESISTANCE (POUR MOD.EAU CHAUDE/VAPEUR)
6	343632	VALVE BODY EVSIS15NPT032U3072 (FOR 60 HZ)	CUERPO VAL.EVSIS15NPT 032U3072 (PARA 60 HZ)	CORPS VANNE EVSIS15NPT032U3072 (POUR 60 HZ)
7	108431	STEAM DISTRIBUTOR	DISTRIBUIDOR VAPOR	DISTRIBUTEUR VAPEUR
8	319558	ELECTROVALVE 032U3005/84 1/2" (FOR 50 HZ)	ELECT.032U3005/84 1/2" 220/50 (PARA 50 HZ)	ELECTROVANNE 032U3005/84 1/2" (POUR 50 HZ)
9	129445	ELBOW FIG. 90 1/2" GALV.	FIGURA 90 DE 1/2" GALV.	COUDE FIG. 90 1/2" GALV.
10	129999	FIG 531 1/2" GALV	FIGURA 531 DE 1/2" GALV.	FIG 531 1/2" GALV
11	133728	THREADED FILTER 1/2" O'3 PN16	FILTRO COLAD. ROSC.1/2"0'3PN16	FILTRE FILETE 1/2" 0,3 PN16
12	341909	STEAM ELEC.INST. (FOR MOD.INTELI CTRL STEAM)	INST. ELEC. VAPOR (PARA MOD.INTELI CTRL A VAPOR)	INST.ELEC.VAPEUR (POUR MOD.INTELI CTRL A VAPEUR)
13	341917	STEAM ELEC.INST.	INST. ELEC. VAPOR	INST.ELEC.VAPEUR
14	318063	SPARE KIT EVSIS 15 032U3172	KIT REPUES.EVSIS 15 032U3172	KIT RECHANGE EVSIS 15 032U3172
15	431825	DOUBLE MALE SLEEVE 1/2" (FOR 60 HZ)	MANGUITO DOBLE MACHO 1/2" (PARA 60 HZ)	MANCHON DOUBLE MALE 1/2" (POUR 60 HZ)
16	431809	MALE-FEMALE SLEEVE (FOR 60 HZ)	MANGUITO MACHO-HEMBRA (PARA 60 HZ)	MANCHON MALE-FEMELLE (POUR 60 HZ)
17	183525	MALE-FEMALE SLEEVE 1/2" (FOR 50 HZ)	MANGUITO MACHO-HEMBRA1/2"LATON (PARA 50 HZ)	FRETTE MALE-FEMELLE 1/2" (POUR 50 HZ)
18	423137	STEAM INLET BRACKET	SOPORTE ENTRADA VAPOR	SUPPORT ENTREE VAPEUR
19	192849	BIC.HEX SCREW DIN933-8 M-8X25	TOR.EX.DIN933-8.8 B.TRI.M 8X25	VIS HEX.DIN933-8,8 BICR.M-8X25
20	156216	JOINTING SCREW 10903 1/2"	10903 TORNILLO UNION MM1/2"	VIS UNION 10903 1/2"

HS6017 431726F 18B

N°	REF.	DENOMINATION	DENOMINACIÓN	DÉNOMINATION
21	164285	SELFBLOCKING NUT DIN985 M-8	TUER.AUTOBL.DIN985-8 B.TRI.M8	ECROU AUTOBLOCANT DIN985 M-8
22	162305	STEAM INLET JOINTING	UNION ENTRADA VAPOR	UNION ENTREE VAPEUR

N°	REF.	DENOMINATION	DENOMINACIÓN	DÉNOMINATION
		FROM MACHINE N° 2.120.251 1.470.048	A PARTIR DE LA MÁQUINA N° 2.120.251 1.470.048	A PARTIR DE LA MACHINE N° 2.120.251 1.470.048
6	343798	VALVE BODY EVSIS15NPT 032U3692 (FOR 60 HZ)	CUERPO VAL.EVSIS15NPT 032U3692 (PARA 60 HZ)	CORPS VANN.EVSIS15NPT 032U3692 (POUR 60 HZ)