

| Mod.    | From serial no.<br>A partir máq. nº |
|---------|-------------------------------------|
| HS-6057 | 2.160.001                           |
| EH130   | 1.510.001                           |

# Parts Handbook for Washers

## Manual de Despiece para lavadoras

## Notice Vues Eclatées pour laveuses

### HS-6057 / EH130

---

#### **GIRBAU, S.A.**

Crta de Manlleu, km. 1  
08500 VIC (Barcelona) • SPAIN  
Tel. 34 93 8861100  
Fax 34 93 8860785  
girbau@girbau.es  
[www.girbau.com](http://www.girbau.com)

USA, CANADA:

#### **CONTINENTAL GIRBAU Inc.**

2500 State Road 44  
WI 54904 Oshkosh • USA  
Tel. 1(920) 231-8222  
Fax 1(920) 231-4666  
info@cont-girbau.com  
[www.cont-girbau.com](http://www.cont-girbau.com)

**Parts Handbook  
Despiece  
Vues Eclatées**

**HS-6057  
EH130**

**NOTES TO USE PARTS LIST**

Sheets no. 1,2,3,4,5,6,7 & 8:  
Are common for all versions.

Sheet no. 9:  
The left side just refers to machines with third wáter inlet.

Sheet no. 10:  
Relates to electrical heated machines.

Sheet no. 11:  
Relates to steam heated machines.

Sheet no. 12:  
Relates to "TILT" system machines only.

Sheet no. 13:  
Relates to machines equipped with second drain.

**ACLARACIONES PARA EL USO DEL DESPIECE**

Hojas nº 1,2,3,4,5,6,7 y 8:  
Son comunes a todas las variantes.

Hoja nº 9:  
La parte lateral izquierda es sólo para las máquinas con tercera entrada de agua.

Hoja nº 10:  
Corresponde a las máquinas con calefacción eléctrica.

Hoja nº 11:  
Corresponde a las máquinas con calefacción a vapor.

Hoja nº 12:  
Es sólo para las máquinas con sistema "VOLQUETE"

Hoja nº 13:  
Corresponde a las máquinas con segundo desagüe.

**NOTES UTILISATION VUES ECLATEES**

Feuilles no. 1,2,3,4,5,6,7 et 8:  
Sont communes à toutes les versions.

Feuille no. 9:  
La partie latérale gauche est seulement pour les machines à troisième arrivée d'eau.

Feuille no. 10:  
Correspond aux machines à chauffage électrique.

Feuille no. 11:  
Correspond aux machines à chauffage à vapeur.

Feuille no. 12:  
Est seulement pour machines avec système "BASCULANT"

Feuille no. 13:  
Correspond à machines avec deuxième vidange.

**VERY IMPORTANT:**

Before ordering parts be sure they have not been modified. Check it on modification sheet, after the corresponding sheet.

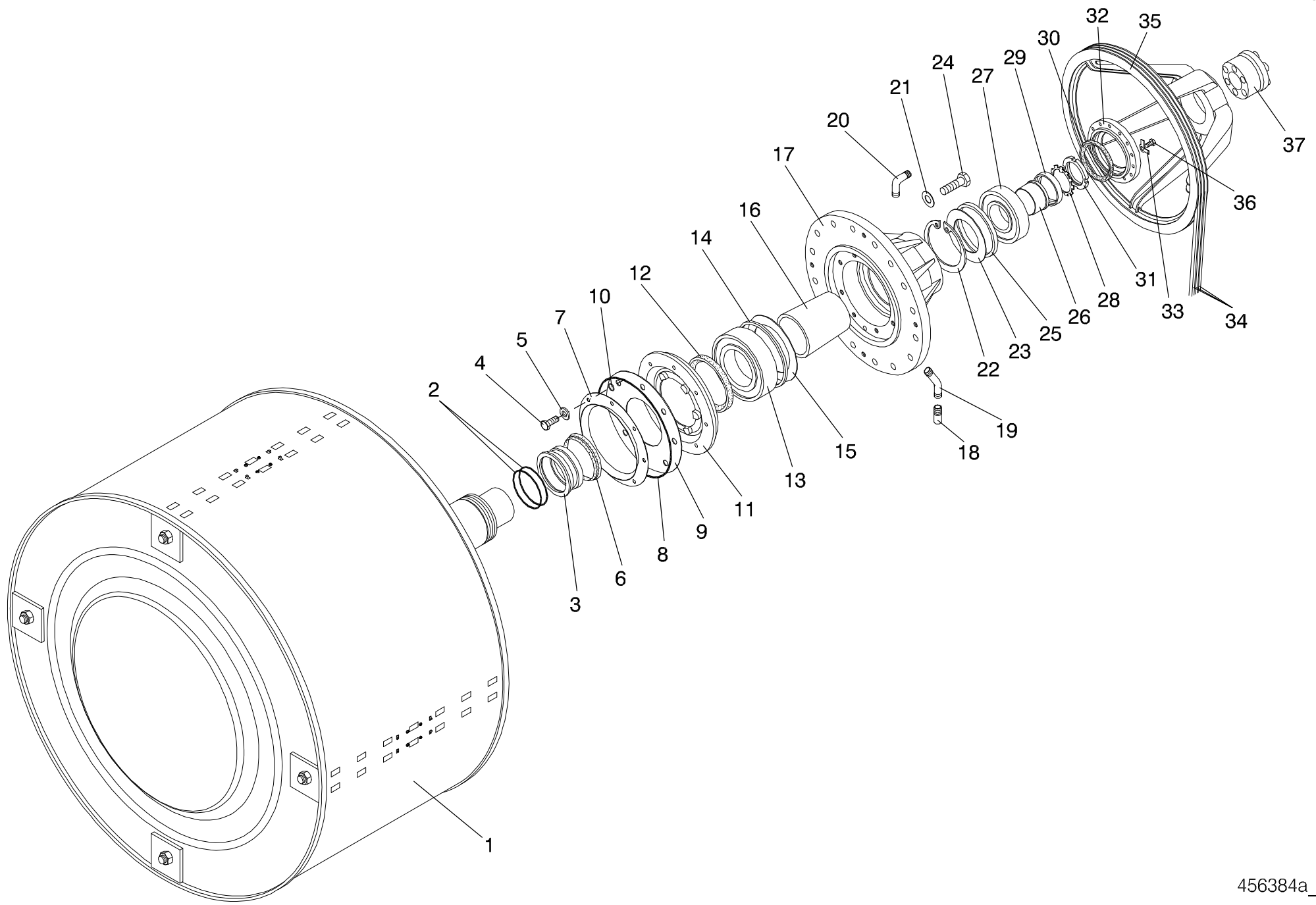
**MUY IMPORTANTE:**

Al pedir una pieza cerciorarse antes de que la misma no ha sido modificada. Si lo hubiese sido, estaría situada como hoja de modificaciones, detrás de la hoja correspondiente.

**TRES IMPORTANT:**

Avant de commander une pièce, s'assurer qu'elle n'a pas été modifiée. Le vérifier sur feuille de modifications, derrière la feuille correspondante.

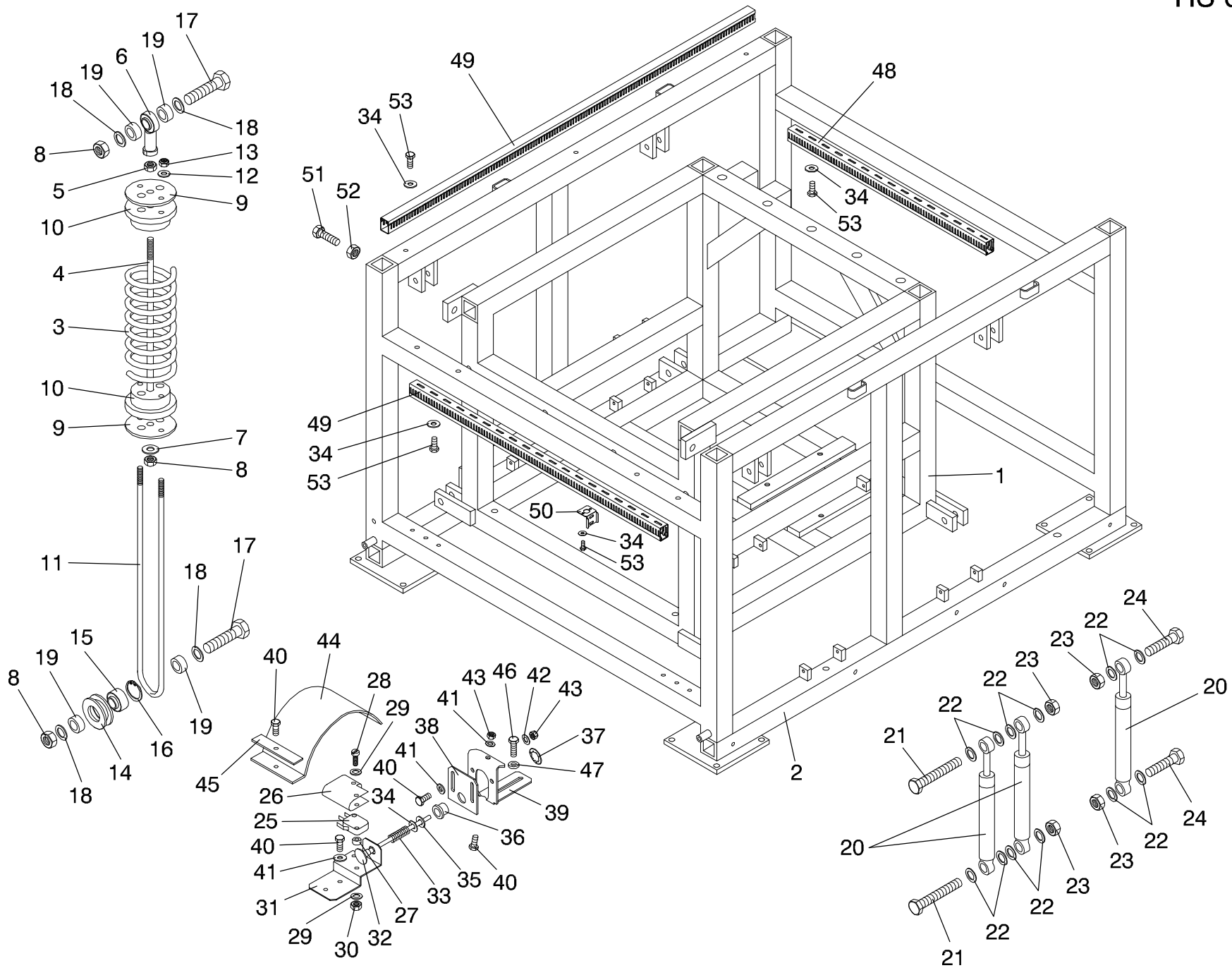




| N° | REF    | DENOMINATION                   | DENOMINACIÓN                   | DENOMINATION                   |
|----|--------|--------------------------------|--------------------------------|--------------------------------|
| 1  | 438192 | BASKET                         | TAMBOR                         | TAMBOUR                        |
| 2  | 174425 | TORIC GASKET 130X142X6 RE.3769 | JUNTA TORICA 130X142X6         | JOINT TORIQUE 130X142X6RE.3769 |
| 3  | 249128 | SEAL RING                      | ANILLO RETENES                 | BAGUE RESERVES                 |
| 4  | 175687 | INOX HEX SCREW DIN 933 M-10X60 | TOR.EX.DIN933INOX A2-70 M10X60 | VIS HEX.INOX DIN 933 M-10X60   |
| 5  | 254144 | WASHER D35XD10X6               | ARANDELA 35X10.25X6 INOX       | RONDELLE D35XD10X6             |
| 6  | 174391 | RING V-RING V-170 S VITON      | ANILLO V-RING V-170 S VITON    | BAGUE V-RING V-170 S VITON     |
| 7  | 250167 | PROTECTION V-RING              | PROTECCION V-RING              | PROTECTION V-RING              |
| 8  | 174417 | TORIC GASKET 355X369X7 RE.3810 | JUNTA TORICA 355X369X7         | JOINT TORIQUE 355X369X7RE.3810 |
| 9  | 250159 | SEAL COVER                     | TAPA RETEN                     | COUVERCLE RESERVE              |
| 10 | 147991 | TORIC GASKET 10X23X6,5         | JUNTA TORICA 10X23X6,5         | JOINT TORIQUE 10X23X6,5        |
| 11 | 250142 | FRONT SEAL COVER               | TAPA RETEN ANTERIOR            | COUVERCLE RESERVE AVANT        |
| 12 | 174433 | SEAL 170X200X15 BA             | RETEN 170X200X15 BA            | RESERVE 170X200X15 BA          |
| 13 | 174334 | BEARING NU-326 E               | RODAMIENTO NU 326 ECP          | ROULEMENT NU-326 E             |
| 14 | 174375 | GUIDE RING FRA 10/280          | ANILLO DE GUIA FRB 10/280      | BAGUE DE GUIDE FRA 10/280      |
| 15 | 221846 | GREASE OBTURATION PLATE        | PLACA OBTURACION GRASA         | PLAQUE OBTURATION GRAISSE      |
| 16 | 221861 | BEARING END PIECE              | TOPE COJINETES                 | ARRET ROULEMENTS               |
| 17 | 266973 | BEARING BOX                    | CAJA COJINETES                 | BOITE ROULEMENTS               |
| 18 | 200063 | BEARING CASE DRAIN             | DESAGUE CAJA COJINETES         | VIDANGE BOITE ROULEMENTS       |
| 19 | 174474 | FIG. 40 1/2" GALV.             | FIGURA 40 DE 1/2" GALV.        | FIG. 40 1/2" GALV.             |
| 20 | 122531 | HOSE ELBOW 5/8" RE. 46610      | CODO MANGUERA 5/8"REF.46610    | COUDE TUYAU 5/8" RE. 46610     |
| 21 | 149393 | BICR WASHER B DIN125-ST 15     | ARAN.B DIN125-ST B.TRI.15      | RONDELLE B BICR DIN125-ST 15   |
| 22 | 174409 | FLEXIBLE RING I-200 DIN 472    | ANILLO ELASTICO I-200 DIN 472  | BAGUE ELASTIQUE I-200 DIN 472  |
| 23 | 221812 | GREASE OBTURATION PLATE        | PLACA OBTURACION GRASA         | PLAQUE OBTURATION GRAISSE      |
| 24 | 176172 | HEX SCREW 8G DIN 933 M-14X55   | TOR.EX.DIN933-8.8 B.TRI.M14X55 | VIS HEX. 8G DIN 933 M-14X55    |
| 25 | 174367 | GUIDE RING FRA 10/200          | ANILLO DE GUIA FRB 10/200      | BAGUE DE GUIDE FRA 10/200      |
| 26 | 174359 | DISASSEMBLY SLEEVE AHX-3026    | MANGUITO DESMONTAJE AHX-3026 * | MANCHON DEMONTAGE AHK-3026     |
| 27 | 174342 | BEARING 23026 CK               | RODAMIENTO 23026 CCK/W33       | ROULEMENT 23026 CK             |
| 28 | 163709 | LOCKING WASHER                 | ARANDELA DE CIERRE             | RONDELLE DE FERMETURE          |

| N° | REF    | DENOMINATION                  | DENOMINACIÓN                   | DENOMINATION                    |
|----|--------|-------------------------------|--------------------------------|---------------------------------|
| 29 | 221879 | SEAL RING                     | ANILLO RETEN                   | BAGUE RESERVE                   |
| 30 | 147538 | SEAL 150X180X15 BA            | RETEN 150X180X15 BA            | RESERVE 150X180X15 BA           |
| 31 | 163725 | FIXING NUT KM-25              | TUERCA FIJACION TAMBOR         | ECROU FIXATION KM-25            |
| 32 | 266932 | REAR SEAL COVER               | TAPA RETEN POSTERIOR           | COUVERCLE RESERVE ARRIERE       |
| 33 | 195735 | SAFETY WASHER 6,4 DIN 463     | ARANDELA SEGURIDAD 6,4 DIN 463 | RONDELLE SECURITE 6,4 DIN 463   |
| 34 | 315671 | TRAPEZOIDAL BELT SPA-2932     | CORREA TRAPEZOIDAL SPA-2932    | COURROIE TRAPEZOIDALE SPA-2932  |
| 35 | 408872 | BASKET PULLEY                 | POLEA TAMBOR                   | POULIE TAMBOUR                  |
| 36 | 192385 | BICR.HEX.SCREW DIN933-8 M6X35 | TOR.EX.DIN933-8.8 B.TRI.M 6X35 | VIS.HEX.DIN933-8,8 BICR.M6X35   |
| 37 | 182667 | SELF-CENTERING FIXING UNIT 5B | UNIDAD FIJ.AUTOCENT.5B 90X130  | UNITE FIXATION SELF-CENTRAGE 5B |



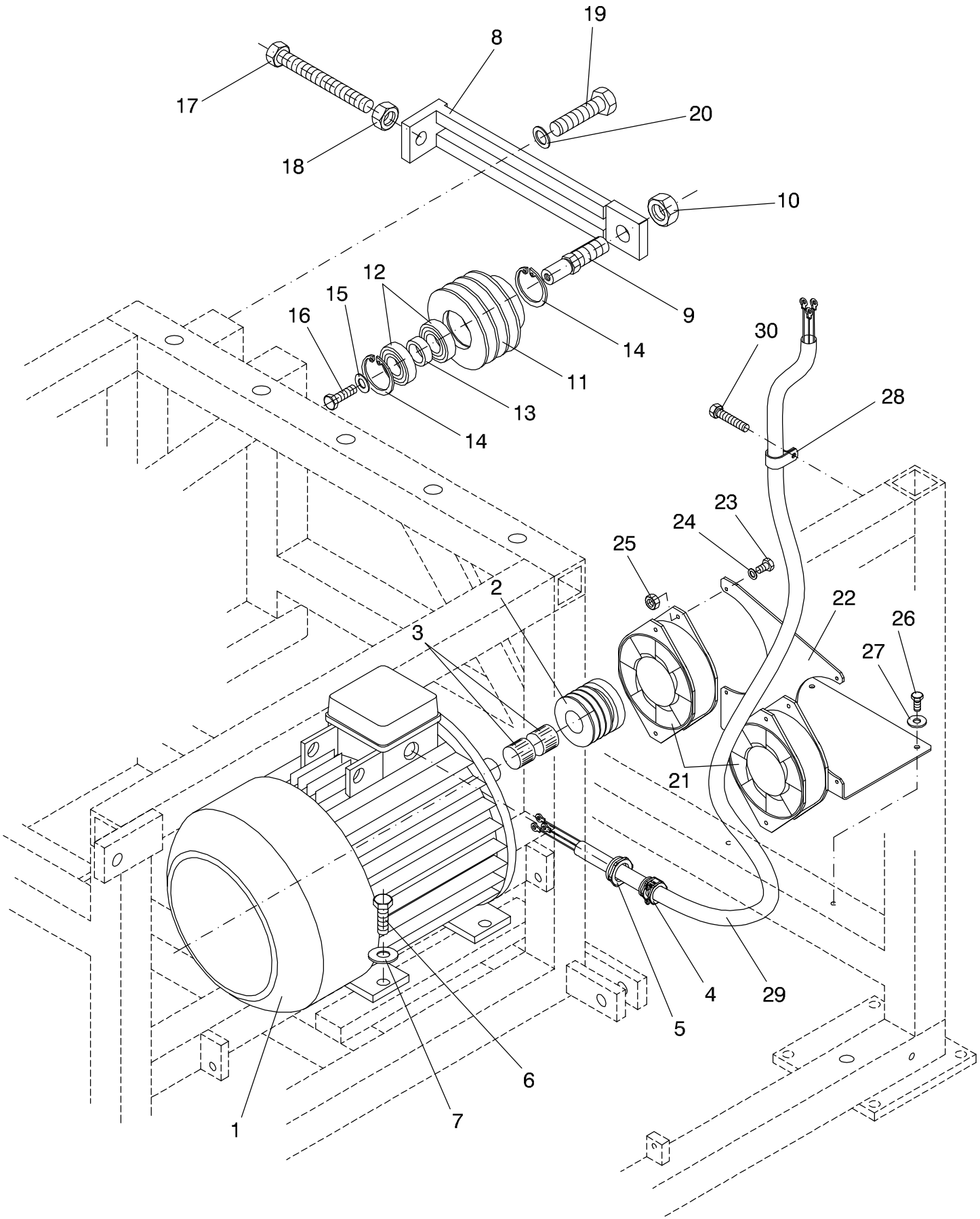




| Nº | REF    | DENOMINATION                   | DENOMINACIÓN                   | DENOMINATION                   |
|----|--------|--------------------------------|--------------------------------|--------------------------------|
| 1  | 437426 | SUSPENDED CHASSIS              | CHASIS FLOTANTE                | CHASSS SUSPENDU                |
| 2  | 445734 | FIXED CHASSIS                  | CHASIS FIJO                    | CHASSIS FIXE                   |
| 3  | 300459 | SUSPENSION SPRING              | 3UELLE SUSPENSION              | RESSORT SUSPENSION             |
|    | 278598 | SUSPENSION SET                 | CONJUNTO SUSPENSION (COMPLETO) | ENSEMBLE SUSPENSION            |
| 4  | 278770 | SUSPENSION BAR                 | VARILLA SUSPENSION             | BAGUETTE SUSPENSION            |
| 5  | 150276 | BICR HEX.NUT DIN934-8 M-16     | TUER.EX.DIN934-8 B.TRI.M16     | ECROU HEX.DIN934-8 BICR M-16   |
| 6  | 174870 | HINGE JOINT HEAD TYPE GIR 17UK | CABEZA DE ROTULA TIPO GIR 17UK | TETE DE ROTULE TYPE GIR 17UK   |
| 7  | 255992 | WASHER 36X17X5                 | ARANDELA 36X17X6 TRIVALEN.     | RONDELLE 36X17X5               |
| 8  | 173260 | SELF-BLOCKING NUT DIN 985 M-16 | TUER.AUTOBL.DIN985-8B.TRI.M16  | ECROU AUTOBLOCANT DIN 985 M-16 |
| 9  | 278804 | CLAMP SUPPLEMENT               | SUPLEMENTO BRIDA               | SUPPLEMENT BRIDE               |
| 10 | 278762 | SUSPENSION CLAMP               | BRIDA SUSPENSION               | BRIDE SUSPENSION               |
| 11 | 278788 | SUSPENSION PIECE               | HORQUILLA SUSPENSION           | PIECE SUSPENSION               |
| 12 | 278861 | WASHER 26X12,5X6               | ARANDELA 26X12.5X6 TRIVALEN.   | RONDELLE 26X12,5X6             |
| 13 | 150656 | SELFBLOCKING NUT DIN985 M-12   | TUER.AUTOB.DIN985-8 B.TRI.M12  | ECROU AUTOBLOCANT DIN985 M-12  |
| 14 | 278796 | SUSPENSION SLEEVE              | CASQUILLO SUSPENSION           | FRETTE SUSPENSION              |
| 15 | 185728 | RADIAL HINGE JOINT TYPE GE     | ROTULA RADIAL TIPO GE 17UK     | ROTULE RADIAL TYPE GE 17UK     |
| 16 | 185736 | RING SEEGER-V JV-30            | ANILLO SEEGER-V JV-30          | BAGUE SEEGER-V JV-30           |
| 17 | 175729 | HEX SCREW 8G DIN 931 M-16X100  | TOR.EX.DIN931-8.8B.TRI.M16X100 | VIS HEX 8G DIN 931 M-16X100    |
| 18 | 149385 | BICR.WASHER B DIN125-ST 17     | ARAN.B DIN125-ST B.TRI.17      | RONDELLE B DIN125-ST BICR.17   |
| 19 | 238055 | HINGE JOINT SEPARATOR          | SEPARADOR ROTULA               | SEPARATEUR ROTULE              |
| 20 | 333476 | SHOCK-ABSORBER SUSPA RD10 120N | AMORTIGUADOR SUSPA RD10 120N   | AMORTISSEUR SUSPA RD10 120N    |
| 21 | 191684 | HEX SCREW 8G DIN931 M 8X 80    | TOR.EX.DIN931-8.8 B.TRI.M 8X80 | VIS HEX 8G DIN931 M 8X 80      |
| 22 | 149518 | BICR.WASHER B DIN125-ST 8,4    | ARAN.B DIN125-ST B.TRI. 8,4    | RONDELLE.B DIN125-ST BICR.8,4  |
| 23 | 164285 | SELFBLOCKING NUT DIN985 M-8    | TUER.AUTOBL.DIN985-8 B.TRI.M8  | ECROU AUTOBLOCANT DIN985 M-8   |
| 24 | 501965 | HEX SCREW 8G DIN931 M 8X 60    | TOR.EX.DIN931-8.8 B.TRI.M 8X60 | VIS HEX 8G DIN931 M 8X 60      |
| 25 | 197046 | MINISWITCH 83161.344 I W3      | MINIRRUPTOR 83161.344 I W3     | MINIRRUPTEUR 83161.344 I W3    |
| 26 | 281113 | MICROSWITCH ISOLATION          | AISLANTE MICRORRUPTOR          | ISOLANT MICRORRUPTEUR          |
| 27 | 175364 | PLASTIC SEPARATOR 6MM SP78/10  | SEPARADOR PLASTICO 6MM.SP78/10 | SEPARATEUR PLASTIQUE 6MM       |

| Nº | REF    | DENOMINATION                   | DENOMINACIÓN                   | DENOMINATION                   |
|----|--------|--------------------------------|--------------------------------|--------------------------------|
| 28 | 302554 | CYL.BICR.SCREW DIN84-4.8 M3X25 | TOR.CIL.DIN84-4.8 B.TRI.M 3X25 | VIS.CYL DIN84-4.8 BICR M 3X25  |
| 29 | 149484 | BICR.WASHER B DIN125-ST 3,2    | ARAN.B DIN125-ST B.TRI. 3,2    | RONDELLE B.DIN125-ST BICR. 3,2 |
| 30 | 149906 | INOX. HEX. NUT DIN 934 M-3     | TUER.EX.DIN934 INOX A2-70 M 3  | ECROU HEX. INOX DIN934 M-3     |
| 31 | 261784 | MICROSWITCH DRIVE BRACKET      | SOPORTE ACCIONADOR MICRORRUP.  | SUPPORT ACTIONNEMENT MICRORRUP |
| 32 | 189407 | MICROSWITCH DRIVE              | ACCIONADOR MICRORRUPTOR        | ACCIONNEMENT MICRORRUPTEUR     |
| 33 | 189399 | MICROSWITCH DRIVE SPRING       | MUELLE ACCIONADOR MICRORRUPTOR | RESSORT ACTIONNEMENT MICRORRUP |
| 34 | 149534 | BICR.WASHER B DIN125-ST 5,3    | ARAN.B DIN125-ST BICR. 5,3     | RONDELLE B BICR.DIN125-ST 5,3  |
| 35 | 147918 | QUICK FIXING 211039-6          | SUJEC.RAPIDA MIKALOR 211039-6  | FIXATION RAPIDE 211039-6       |
| 36 | 278051 | MICRO.DRIVE SLEEVE             | CASQUILLO ACCIONADOR MICRO     | FRETTE ACTIONNEMENT MICRO      |
| 37 | 134924 | QUICK FIXING 2110441           | SUJEC.RAPIDA MIKALOR 211044-1  | FIXATION RAPIDE 2110441        |
| 38 | 278069 | MICROSWITH ACTIVATOR END-PIECE | TOPE ACCIONADOR MICRORRUPTOR   | ARRET ACCIONNATEUR MICROINT.   |
| 39 | 278085 | MICRO ACTIV. END-PIECE BRACKET | SOPORTE TOPE ACCIONADOR MICRO. | SUPPORT ARRET ACCIONNAT.MICRO  |
| 40 | 146266 | BICR.HEX SCREW DIN933-8 M-4X15 | TOR.EX.DIN933-4.8 B.TRI.M 4X15 | VIS HEX BICR.DIN933-8.8 M-4X15 |
| 41 | 219758 | WASHER 12X4X1,5                | ARANDELA 12X4X1.5 INOX         | RONDELLE 12X4X1,5              |
| 42 | 149476 | BICR.WASHER B DIN125-ST 4,3    | ARAN.B DIN125-ST B.TRI. 4,3    | RONDELLE B DIN125-ST BICR.4,3  |
| 43 | 132043 | SELFBLOCKING NUT DIN985 M 4    | TUER.AUTOBL.DIN985-8 B.TRI.M 4 | ECROU AUTOBLOCANT DIN985 M 4   |
| 44 | 283192 | MICROSWITCH PROTECTION COVER   | TAPA PROTECCION MICRORRUPTOR   | COUVERCLE PROT. MICRORRUPTEUR  |
| 45 | 283200 | MICRO PROTECTION FIXING-PIECE  | FIJACION PROTECCION MICRO.     | FIXATION PROTECTION MICRO      |
| 46 | 146233 | BICR.HEX SCREW DIN933-8 M6X15  | TOR.EX.DIN933-8.8 B.TRI.M 6X15 | VIS HEX DIN933-8.8 BICR.M6X15  |
| 47 | 115733 | WASHER 16X7X3                  | ARANDELA 16X7X3 TRIVALEN.      | RONDELLE 16X7X3                |
| 48 | 453613 | WIRETHROUGH CHANNEL            | CANAL PASACABLES               | CANAL PASSECABLES              |
| 49 | 453605 | WIRETHROUGH CHANNEL            | CANAL PASACABLES               | CANAL PASSECABLES              |
| 50 | 245142 | CLAMP                          | BRIDA                          | BRIDE                          |
| 51 | 157354 | HEX SCREW 8G DIN 933 M-12X45   | TOR.EX.DIN933-8.8 B.TRI.M12X45 | VIS HEX 8G DIN 933 M-12X45     |
| 52 | 150235 | BICR.HEX NUT DIN 934-8 M-12    | TUER.EX.DIN934-8 B.TRI.M12     | ECROU HEX DIN 934-8 BICR.M-12  |
| 53 | 146274 | BICR.HEX SCREW DIN933-8 M-5X10 | TOR.EX.DIN933-8.8 B.TRI.M 5X10 | VIS HEX.BICR.DIN933-8.8 M-5X10 |



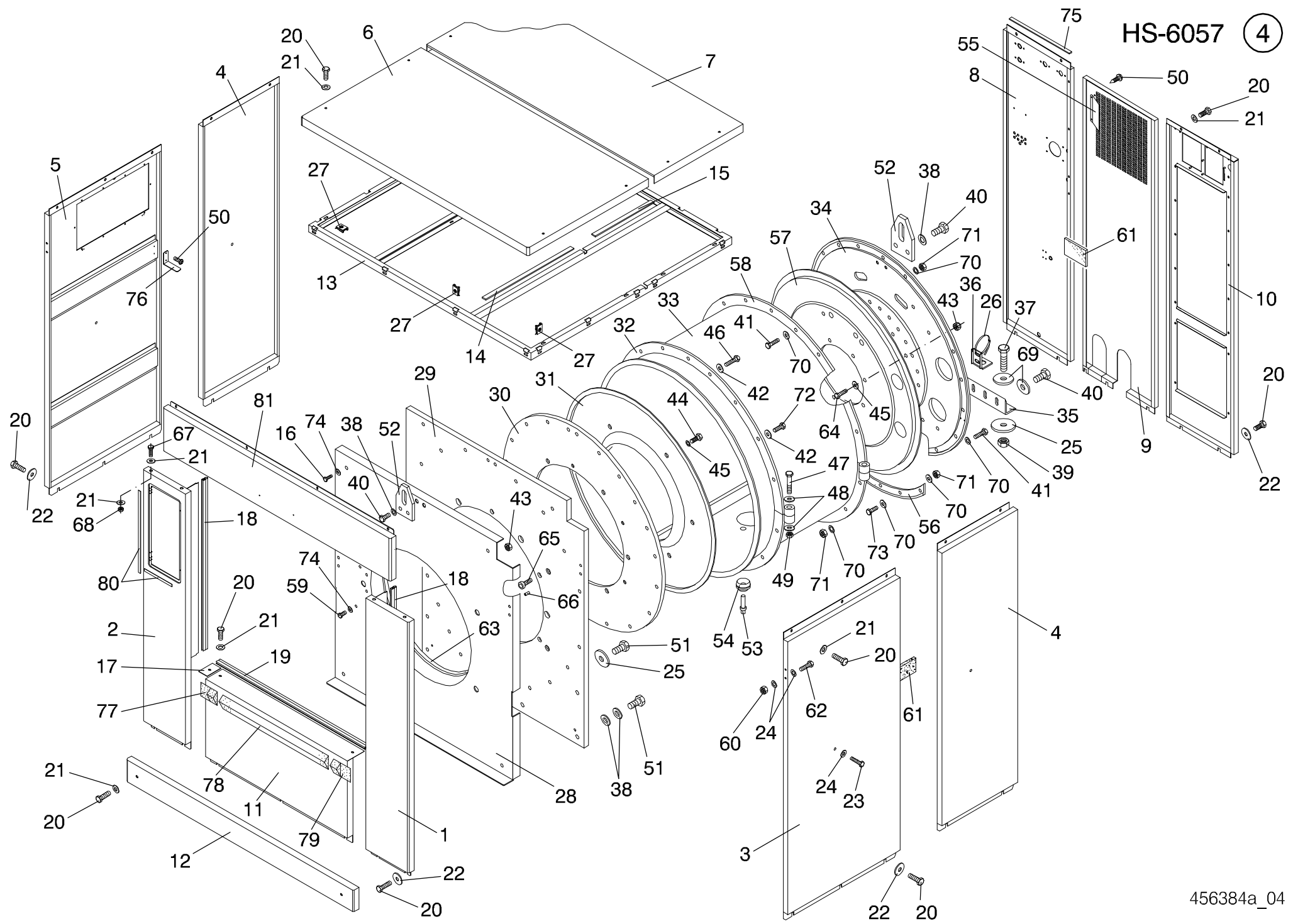


| Nº | REF    | DENOMINATION                               | DENOMINACIÓN                                  | DENOMINATION                                    |
|----|--------|--|---|---|
| 1  | 350033 | MOTOR SET MT150-215/4<br>(PULLEY INCLUDED) | CONJUNTO MOTOR MT150-215/4<br>(INCLUYE POLEA) | ENSEMBLE MOTEUR MT150-215/4<br>(COMPRIS POULIE) |
|    | 317461 | BEARING 6309-2Z C3                         | RODAMIENTO 6309-2Z/C3                         | ROULEMENT 6309-2Z C3                            |
| 2  | 344820 | MOTOR PULLEY MT 150-215/4                  | POLEA MOTOR MT 150-215/4                      | POULIE MOTEUR MT 150-215/4                      |
| 3  | 321158 | STAR TOLERANCE RING                        | ANILLO TOLER.STAR 0820-045-05                 | BAGUE TOLERANCE STAR 0820-045                   |
| 4  | 326462 | STUFFING-BOX EXAD CLAMP PG29               | PRENSAE.EXAD.BRIDA 82904 PG29                 | PRESSE-ETOUPE EXAD BRIDE PG29                   |
| 5  | 164889 | AMPLIFIFIER PG 21-29                       | AMPLIFICADOR PG 21-29                         | AMPLIFICATEUR PG 21-29                          |
| 6  | 146688 | BI HEX.SCREW DIN933-8. M12X 50             | TOR.EX.DIN933-8.8 B.TRI.M12X50                | VIS HEX.DIN933-8.8 BICR.M12X50                  |
| 7  | 278853 | WASHER 30X12,5X4                           | ARANDELA 30X12,5X4 TRIVALEN.                  | RONDELLE 30X12,5X4                              |
| 8  | 244525 | TIGHTENER                                  | TENSOR  | TENDEUR   |
| 9  | 218941 | TIGHTENER PULLEY SHAFT                     | MUÑON POLEA TENSOR                            | AXE POULIE TENDEUR                              |
| 10 | 150326 | BICR.HEX NUT DIN 934-8 M 24                | TUER.EX.DIN934-8 B.TRI.M24                    | ECROU HEX BICR DIN 934-8 M 24                   |
| 11 | 408856 | TIGHTENER PULLEY                           | POLEA TENSORA                                 | POULIE TENDEUSE                                 |
| 12 | 128512 | BEARING 6005-2RS                           | RODAMIENTO 6005-2Z                            | ROULEMENT 6005-2RS                              |
| 13 | 244509 | TIGHTENER BEARING SEPARATOR                | SEPARADOR COJINETES TENSOR                    | SEPARATEUR ROULEMENTS TENDEUR                   |
| 14 | 131557 | FLEXIBLE RING I-47 DIN 472                 | ANILLO ELASTICO I- 47 DIN 472                 | BAGUE ELASTIQUE I-47 DIN 472                    |
| 15 | 115428 | WASHER 30X10,5X3                           | ARANDELA 30X10,5X3 TRIVALEN.                  | RONDELLE 30X10,5X3                              |
| 16 | 146480 | BICR.HEX SCREW DIN933-8 M10X20             | TOR.EX.DIN933-8.8 B.TRI.M10X20                | VIS HEX BICR.DIN933-8 M 10X20                   |
| 17 | 219014 | TIGHTENER SCREW                            | TORNILLO TENSOR                               | VIS TENDEUR                                     |
| 18 | 150250 | BICR HEX.NUT DIN 934-8 M 14                | TUER.EX.DIN934-8 B.TRI.M14                    | ECROU HEX.BICR DIN 934-8 M 14                   |
| 19 | 176172 | HEX SCREW 8G DIN 933 M-14X55               | TOR.EX.DIN933-8.8 B.TRI.M14X55                | VIS HEX. 8G DIN 933 M-14X55                     |
| 20 | 219071 | WASHER 40X15X5                             | ARANDELA 40X15X5 TRIVALEN.                    | RONDELLE 40X15X5                                |
| 21 | 321083 | FAN  | VENT.NMB 5915PC-23T-B30-A00                   | VENTILATEUR                                     |
| 22 | 447284 | FAN BRACKET                                | SOPORTE VENTILADORES                          | SUPPORT VENTILATEURS                            |
| 23 | 146266 | BICR.HEX SCREW DIN933-8 M-4X15             | TOR.EX.DIN933-4.8 B.TRI.M 4X15                | VIS HEX BICR.DIN933-8.8 M-4X15                  |
| 24 | 149476 | BICR.WASHER B DIN125-ST 4,3                | ARAN.B DIN125-ST B.TRI. 4,3                   | RONDELLE B DIN125-ST BICR.4,3                   |
| 25 | 132043 | SELFBLOCKING NUT DIN985 M 4                | TUER.AUTOBL.DIN985-8 B.TRI.M 4                | ECROU AUTOBLOCANT DIN985 M 4                    |
| 26 | 146233 | BICR.HEX SCREW DIN933-8 M6X15              | TOR.EX.DIN933-8.8 B.TRI.M 6X15                | VIS HEX DIN933-8.8 BICR.M6X15                   |
| 27 | 149526 | BICR.WASHER B DIN125-ST 6,4                | ARAN.B DIN125-ST B.TRI. 6,4                   | RONDELLE B DIN125-ST BICR.6,4                   |

| N° | REF    | DENOMINATION               | DENOMINACIÓN                   | DENOMINATION             |
|----|--------|----------------------------|--------------------------------|--------------------------|
| 28 | 510644 | ALUMINIUM WASHER AL16      | ABRAZADERA ALUMINIO AL16       | RONDELLE ALUMINIUM AL16  |
| 29 | 446997 | MOTOR ELEC. INST.          | INST. ELEC. MOTOR              | INST. ELEC. MOTEUR       |
| 30 | 144279 | ALLEN SCREW DIN 912 M-5X15 | TOR.ALDDIN912-8.8 B.TRI.M 5X15 | VIS ALLEN DIN 912 M-5X15 |



HS-6057 (4)





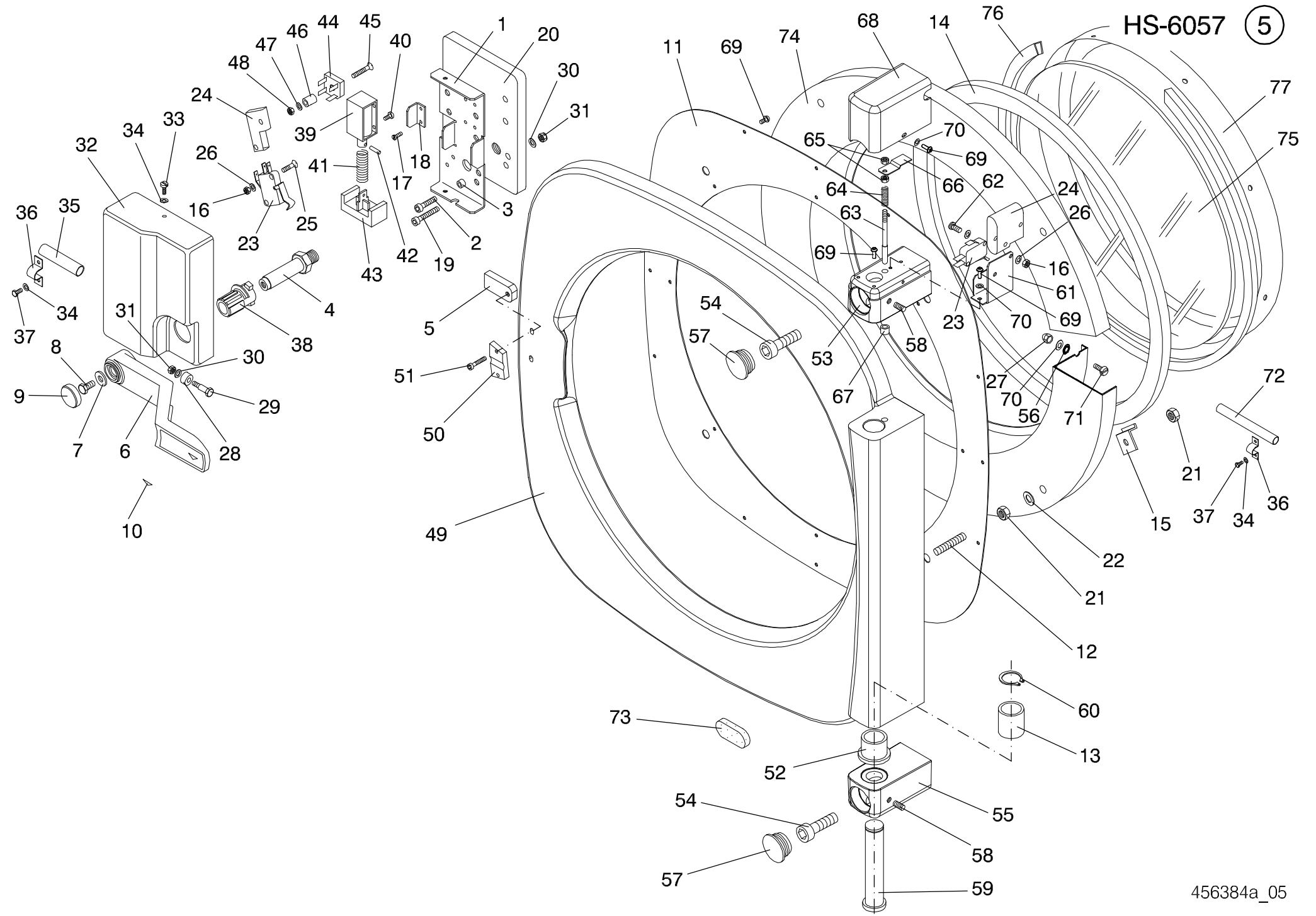
| Nº | REF    | DENOMINATION                                     | DENOMINACIÓN                                 | DENOMINATION                                    |
|----|--------|--|--|---|
| 1  | 439208 | RIGHT FRONT COVER<br>(INOX)                      | TAPA FRONTAL DERECHA<br>(INOX)               | COUVERCLE FRONTAL DROITE<br>(INOX)              |
|    | 453399 | RIGHT FRONT COVER<br>PRE-COATED                  | TAPA FRONTAL DERECHA<br>PRE-COATED           | COUVERCLE FRONTAL DROIT<br>PRE-COATED           |
|    | 447185 | LEFT FRONT COVER<br>(INOX)                       | TAPA FRONTAL IZQUIERDA<br>(INOX)             | COUVERCLE FRONTAL GAUCHE<br>(INOX)              |
|    | 446963 | LEFT FRONT COVER<br>PRE-COATED                   | TAPA FRONTAL IZQUIERDA<br>PRE-COATED         | COUVERCLE FRONTAL GAUCHE<br>PRE-COATED          |
| 3  | 453142 | RIGHT FRONT SIDE COVER<br>(INOX)                 | TAPA LATERAL ANTERIOR DERECHA<br>(INOX)      | COUVERCLE LATERAL ANTERIEUR DROIT<br>(INOX)     |
|    | 453241 | RIGHT FRONT SIDE COVER<br>PRE-COATED             | TAPA LATERAL ANTERIOR DERECHA<br>PRE-COATED  | COUVERCLE LATERAL ANTERIEUR DROIT<br>PRE-COATED |
| 4  | 245035 | REAR SIDE COVER<br>(INOX)                        | TAPA LATERAL POSTERIOR<br>(INOX)             | COUVERCLE LATERAL ARRIERE<br>(INOX)             |
|    | 445965 | REAR SIDE COVER<br>PRE-COATED                    | TAPA LATERAL POSTERIOR<br>PRE-COATED         | COUVERCLE LAT. ARRIERE<br>PRE-COATED            |
| 5  | 453159 | LEFT FRONT SIDE COVER<br>(INOX)                  | TAPA LATERAL ANTERIOR IZQUIER.<br>(INOX)     | COUVERCLE LATERAL ANTERIEUR GAUCHE<br>(INOX)    |
|    | 453258 | COUVERCLE LATERAL ANTERIEUR GAUCHE<br>PRE-COATED | TAPA LATERAL ANTERIOR IZQUIER.<br>PRE-COATED | LEFT FRONT SIDE COVER<br>PRE-COATED             |
| 6  | 445247 | FRONT UPPER COVER                                | TAPA SUPERIOR ANTERIOR                       | COUVERCLE SUPERIEUR AVANT                       |
| 7  | 438937 | UPPER REAR COVER                                 | TAPA SUPERIOR POSTERIOR                      | COUVERCLE ARRIERE SUPERIEUR                     |
| 8  | 439653 | LEFT REAR SIDE COVER                             | TAPA POSTERIOR LATERAL IZQU.                 | COUVERCLE LATE. ARRIERE GAUCHE                  |
| 9  | 409656 | CENTRAL REAR COVER                               | TAPA POSTERIOR CENTRAL                       | COUVERCLE ARRIERE CENTRAL                       |
| 10 | 454819 | RIGHT SIDE REAR COVER                            | TAPA POSTERIOR LATERAL DERECHA               | COUVERCLE ARRIERE LATERAL DROITE                |
| 11 | 438945 | LOWER FRONT COVER                                | TAPA FRONTAL INFERIOR                        | COUVERCLE FRONTAL INFERIEUR                     |
| 12 | 438952 | TOE PLATE  | ZOCALO                                       | SOCLE   |
| 13 | 349795 | UPPER FRAME                                      | BASTIDOR SUPERIOR                            | BASTI SUPERIEUR                                 |
| 14 | 454041 | COVER SHOCK-ABSORBER PROFILE                     | PERFIL AMORTIGUADOR TAPA                     | PROFILE AMORTISSEUR COUVERCLE                   |
| 15 | 454058 | COVER SHOCK-ABSORBER PROFILE                     | PERFIL AMORTIGUADOR TAPA                     | PROFILE AMORTISSEUR COUVERCLE                   |
| 16 | 144964 | INOX HEX SCREW DIN 933 M-8X16                    | TOR.EX.DIN933INOX A2-70 M 8X16               | VIS HEX INOX DIN 933 M-8X16                     |
| 17 | 277814 | LOWER COVER SUPPLEMENT                           | SUPLEMENTO TAPA INFERIOR                     | SUPPLEMENT COUVERCLE INFERIEUR                  |
| 18 | 454033 | FRONT PROFILE                                    | PERFIL FRONTAL                               | PROFILE FRONTAL                                 |

| N° | REF    | DENOMINATION                      | DENOMINACIÓN                   | DENOMINATION                    |
|----|--------|-----------------------------------|--------------------------------|---------------------------------|
| 19 | 278713 | LOWER FRONT PROFILE               | PERFIL FRONTAL INFERIOR        | PROFILE FRONTAL INFERIEUR       |
| 20 | 166652 | BIC.HEX SCREW DIN933-8.8 M8X15    | TOR.EX.DIN933-8.8 B.TRI.M 8X15 | VIS HEX DIN933-8.8 BICR. M8X15  |
| 21 | 149518 | BICR.WASHER B DIN125-ST 8,4       | ARAN.B DIN125-ST B.TRI. 8,4    | RONDELLE.B DIN125-ST BICR.8,4   |
| 22 | 358101 | WASHER PL.DIN9021 24X8.4X2ST.TRI  | ARAN.PL.DIN9021 24X8.4X2ST.TRI | ROND.PL.DIN9021 24X8.4X2ST.TRI  |
| 23 | 165621 | BIC HEX SCREW DIN933-8,8 M6X10    | TOR.EX.DIN933-8.8 B.TRI.M 6X10 | VIS HEX DIN933-8,8 BICR M6X10   |
| 24 | 149526 | BICR.WASHER B DIN125-ST 6,4       | ARAN.B DIN125-ST B.TRI. 6,4    | RONDELLE B DIN125-ST BICR.6,4   |
| 25 | 269126 | WASHER 60X17X12                   | ARANDELA 60X17X12 TRIVALEN.    | RONDELLE 60X17X12               |
| 26 | 140525 | CLAMP 2244-0                      | BRIDA UNEX 2244-0 *            | BRIDE 2244-0                    |
| 27 | 354597 | QUICK NUT TRT M8-1 0212829        | TUER.RAPIDA TRT M8-1 0212829   | ECROU RAPIDE TRT M8-1 0212829   |
| 28 | 277251 | FRONT LID                         | TAPA FRONTAL                   | COUVERCLE FRONTAL               |
| 29 | 277244 | FRONT PLATE                       | PLACA FRONTAL                  | PLAQUE FRONTAL                  |
| 30 | 254292 | OUTER-DRUM FRONT CROWN            | CORONA FRONTAL ENVOLVENTE      | COURONNE FRONTAL CUVE           |
| 31 | 222000 | OUTER-DRUM FRONT PANEL            | FRONTAL ENVOLVENTE             | FRONTAL CUVE                    |
| 32 | 243279 | OUTER-DRUM FIXING RING            | ARO FIJACION ENVOLVENTE        | BAGUE FIXATION CUVE             |
| 33 | 438317 | OUTER-DRUM                        | ENVOLVENTE                     | CUVE                            |
| 34 | 262915 | REAR PLATE                        | PLACA POSTERIOR                | PLAQUE ARRIERE                  |
| 35 | 242958 | REAR PLATE ANGLE                  | ANGULO PLACA POSTERIOR         | ANGLE PLAQUE ARRIERE            |
| 36 | 245142 | CLAMP                             | BRIDA                          | BRIDE                           |
| 37 | 195966 | BI.HEX SCREW DIN931-8. M16X120    | TOR.EX.DIN931-8.8 BICR.M16X120 | VIS HEX.DIN931-8,8 BIC.M16X120  |
| 38 | 149385 | BICR.WASHER B DIN125-ST 17        | ARAN.B DIN125-ST B.TRI.17      | RONDELLE B DIN125-ST BICR.17    |
| 39 | 173260 | SELF-BLOCKING NUT DIN 985 M-16    | TUER.AUTOBL.DIN985-8B.TRI.M16  | ECROU AUTOBLOCANT DIN 985 M-16  |
| 40 | 175786 | BIC.HEX SCREW DIN933-8.M16X40     | TOR.EX.DIN933-8.8 B.TRI.M16X40 | VIS HEX.DIN933-8,8 BICR M16X40  |
| 41 | 355198 | HEX SCREW DIN931-8.8 B.TRI.M12X60 | TOR.EX.DIN931-8.8 B.TRI.M12X60 | VIS HEX DIN931-8.8 B.TRI.M12X60 |
| 42 | 115428 | WASHER 30X10,5X3                  | ARANDELA 30X10,5X3 TRIVALEN.   | RONDELLE 30X10,5X3              |
| 43 | 150649 | SELFBLOCKING NUT DIN 985 M-10     | TUER.AUTOB.DIN985-8 B.TRI.M10  | ECROU AUTOBLOCANT DIN 985 M-10  |
| 44 | 164087 | INOX HEX SCREW DIN933 M10X40      | TOR.EX.DIN933INOX A2-70 M10X40 | VIS HEX INOX DIN933 M10X40      |
| 45 | 175273 | USIT GASKET TYPE UA 16X10X1,5     | JUNTA USIT TIPO UA 16X10X1,5   | JOINT USIT TYPE UA 16X10X1,5    |
| 46 | 147009 | HEX SCREW 8G DIN 933 M-10X25      | TOR.EX.DIN933-8.8 B.TRI.M10X25 | VIS HEX. DIN 933 M-10X25 8G     |

| N° | REF    | DENOMINATION                        | DENOMINACIÓN                                | DENOMINATION                        |
|----|--------|-------------------------------------|---|-------------------------------------|
| 47 | 175703 | HEX SCREW 8G DIN 931 M-14X100       | TOR.EX.DIN931-8.8B.TRI.M14X100              | VIS HEX 8G DIN 931 M-14X100         |
| 48 | 149393 | BICR WASHER B DIN125-ST 15          | ARAN.B DIN125-ST B.TRI.15                   | RONDELLE B BICR DIN125-ST 15        |
| 49 | 164350 | SELFBLOCKING NUT DIN-985 M-14       | TUER.AUTOB.DIN985-8 B.TRI.M14               | ECROU AUTOBLOCANT DIN985 M-14       |
| 50 | 183400 | CYL.PLATE SCREW ST-4 20 C/AL        | TOR.CHAPA ST-4 20 C/AL.T25 *                | VIS PLAQUE CYL.ST-4 20 C/AL         |
| 51 | 175729 | HEX SCREW 8G DIN 931 M-16X100       | TOR.EX.DIN931-8.8B.TRI.M16X100              | VIS HEX 8G DIN 931 M-16X100         |
| 52 | 438721 | LOADING HOOK                        | GANCHO DE CARGA                             | CROCHET DE CHARGEMENT               |
| 53 | 193862 | NTC RESISTANCE 2381 640 90042       | RESISTENCIA NTC 2381 640 90042              | RESISTANCE NTC 2381 640 90042       |
| 54 | 256149 | SENSOR SHEATH LODGING               | PASAMUROS SENSOR                            | LOGEMENT SENSEUR                    |
| 55 | 409599 | PROTECTION SCREEN                   | PANTALLA PROTECCION                         | ÉCRAN PROTECTION                    |
| 56 | 262923 | OUTER-DRUM SEMI-RING                | SEMI-ARO ENVOLVENTE                         | DEMI-BAGUE CUVE                     |
| 57 | 451773 | OUTER-DRUM BOTTOM PLATE             | FONDO ENVOLVENTE                            | FOND CUVE                           |
| 58 | 244830 | OUTER-DRUM FIXING RING              | ARO FIJACION ENVOLVENTE                     | BAGUE FIXATION CUVE                 |
| 59 | 145342 | SCREW DIN 85 M8X20                  | TOR.ALOM.INOX DIN 85 M 8X20                 | VIS DIN 85 M8X20                    |
| 60 | 176834 | SELFBLOCKING NUT DIN985 M-6         | TUER.AUTOBL.DIN985-8 B.TRI.M6               | ECROU AUTOBLOCANT DIN985 M-6        |
| 61 | 219543 | ANTI-VIBRATION PIECE                | PIEZA ANTI-VIBRACION                        | PIECE ANTI-VIBRATION                |
| 62 | 146233 | BICR.HEX SCREW DIN933-8 M6X15       | TOR.EX.DIN933-8.8 B.TRI.M 6X15              | VIS HEX DIN933-8.8 BICR.M6X15       |
| 63 | 165472 | ETHILENE-PROP. PROFILE<br>(1 METER) | PERFIL ETILENO-PROP.REF.44117L<br>(1 METRO) | PROFILE ETHILENE-PROP.<br>(1 METRE) |
| 64 | 157271 | INOX HEX SCREW DIN933 M10X35        | TOR.EX.DIN933INOX A2-70 M10X35              | VIS HEX INOX DIN933 M10X35          |
| 65 | 181313 | ALLEN SCREW DIN912 M12X35           | TOR.ALDDIN912-8.8 B.TRI.M12X35              | VIS ALLEN DIN912 M12X35             |
| 66 | 150763 | FLEXIBLE PIN DIN1481 D4X10          | PASADOR ELASTICO DIN1481 D4X10              | GOUJON ELASTIQUE DIN1481 D4X10      |
| 67 | 146399 | BICR HEX SCREW DIN933-8 M8X20       | TOR.EX.DIN933-8.8 B.TRI.M 8X20              | VIS HEX DIN933-8.8 BICR.M8X20       |
| 68 | 164285 | SELFBLOCKING NUT DIN985 M-8         | TUER.AUTOBL.DIN985-8 B.TRI.M8               | ECROU AUTOBLOCANT DIN985 M-8        |
| 69 | 200626 | WASHER 50X17X9                      | ARANDELA 50X17X9 TRIVALEN.                  | RONDELLE 50X17X9                    |
| 70 | 278853 | WASHER 30X12,5X4                    | ARANDELA 30X12,5X4 TRIVALEN.                | RONDELLE 30X12,5X4                  |
| 71 | 150656 | SELFBLOCKING NUT DIN985 M-12        | TUER.AUTOB.DIN985-8 B.TRI.M12               | ECROU AUTOBLOCANT DIN985 M-12       |
| 72 | 175679 | HEX SCREW 8G DIN 933 M-10X 45       | TOR.EX.DIN933-8.8 B.TRI.M10X45              | VIS HEX 8G DIN 933 M-10X 45         |
| 73 | 146688 | BI HEX.SCREW DIN933-8. M12X 50      | TOR.EX.DIN933-8.8 B.TRI.M12X50              | VIS HEX.DIN933-8.8 BICR.M12X50      |
| 74 | 149351 | INOX A2 WASHER DIN 125 8,4          | ARAN. DIN125 INOX A2 8,4                    | RONDELLE INOX A2 DIN 125 8,4        |

| N° | REF    | DENOMINATION                              | DENOMINACIÓN                                | DENOMINATION                              |
|----|--------|---|---|---|
| 75 | 505347 | ANTI-VIBRATION TGRIM                      | BURLETE ANTIVIBRANTE                        | GARNITURE ANTI-VIBRATION                  |
| 76 | 455758 | DRAIN HOSE BRACKET SQUARE                 | ESCUADRA SOPORTE TUBO DESAGÜE               | EQUERRE SUPPORT TUBE VIDANGE              |
| 77 | 174599 | TERMINAL RE 4776/V-4 LEFT                 | TERMINAL REF.V-4 IZQUIERDA                  | TERMINAL REF 4776/V-4 GAUCHE              |
| 78 | 242966 | PROTECTION PROFILE                        | PERFIL PROTECCION                           | PROFILE PROTECTION                        |
| 79 | 174581 | TERMINAL RE. 4776/V-4 RIGHT               | TERMINAL REF.V-4 DERECHA                    | TERMINAL REF 4776/V-4 DROITE              |
| 80 | 110114 | PROFILE EXTRA 5463GREY 6X9X4<br>(1 METER) | BURL.AISLAN.TESA 5463-22 6X9X4<br>(1 METRO) | PROFILE EXTRA 5463GRIS 6X9X4<br>(1 METRE) |
| 81 | 438960 | CONTROL PANEL                             | PANEL DE MANDOS                             | PANNEAU CONTRÔLE                          |



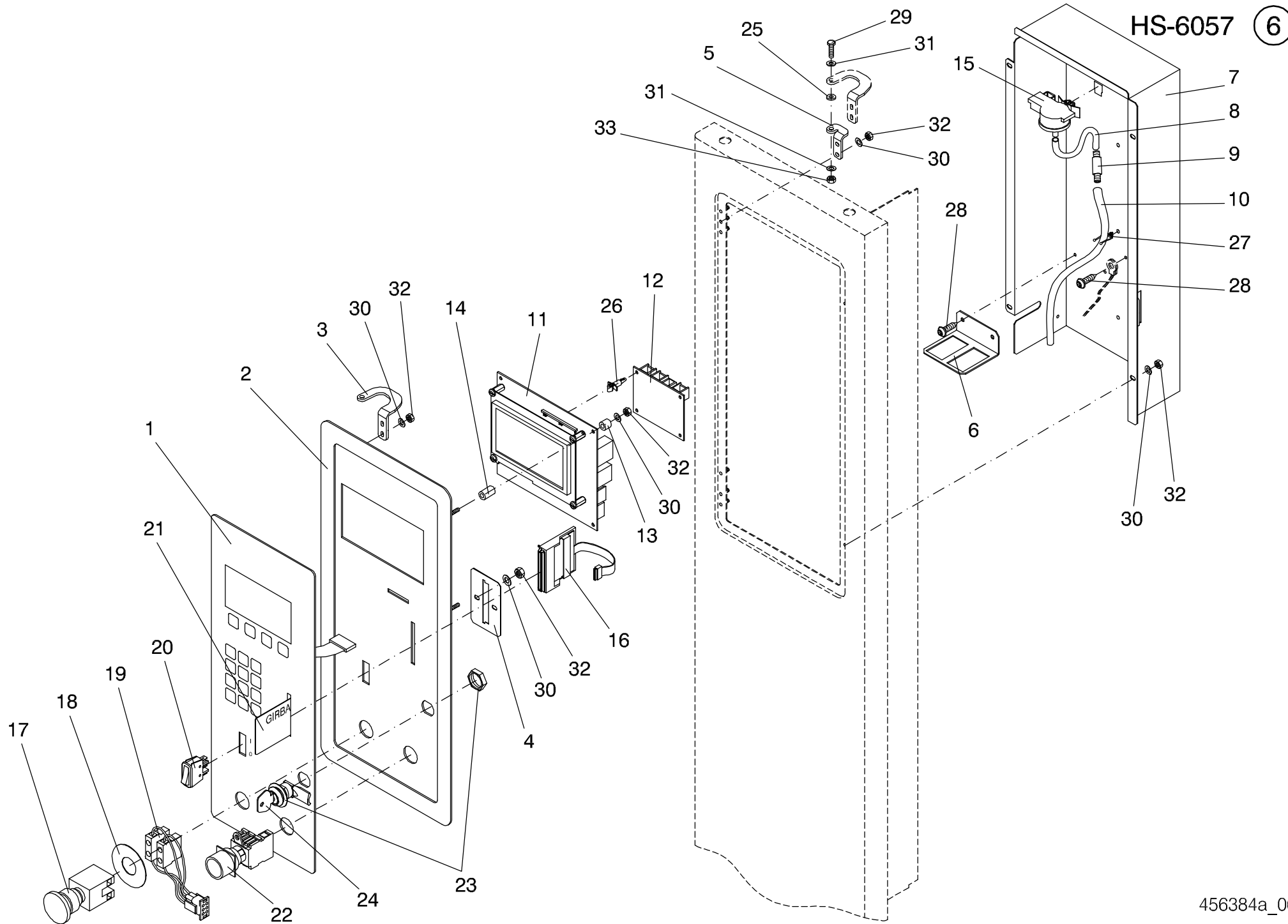


| Nº | REF    | DENOMINATION                                | DENOMINACIÓN                                   | DENOMINATION  |
|----|--------|---|--|---|
| 1  | 512517 | SAFETY LOCK BRACKET                         | SOPORTE CIERRE SEGURIDAD                       | SUPPORT FERMETURE DE SECURITE                           |
| 2  | 144352 | ALLEN SCREW DIN912 M-6X25                   | TOR.ALLDIN912-8.8 B.TRI.M 6X25                 | VIS ALLEN DIN912 M-6X25                                 |
| 3  | 276527 | LOCK END-PIECE                              | TOPE CIERRE                                    | ARRET FERMETURE   |
| 4  | 276485 | LOCK SHAFT                                  | EJE CIERRE                                     | AXE FERMETURE   |
| 5  | 506311 | 18X18 PLATE                                 | PLETINA DE 18X8                                | PLAQUE DE 18X18   |
| 6  | 199257 | KNOB  | EMPUÑADURA                                     | POIGNEE   |
| 7  | 115733 | WASHER 16X7X3                               | ARANDELA 16X7X3 TRIVALEN.                      | RONDELLE 16X7X3   |
| 8  | 165621 | BIC HEX SCREW DIN933-8,8 M6X10              | TOR.EX.DIN933-8.8 B.TRI.M 6X10                 | VIS HEX DIN933-8,8 BICR M6X10                           |
| 9  | 189993 | KNOB STOPPER                                | TAPON EMPUÑADURA                               | BOUCHON POIGNEE   |
| 10 | 193599 | KNOB PLATE                                  | PLACA EMPUÑADURA                               | PLAQUE POIGNEE  |
| 11 | 438309 | DOOR HOLDER                                 | PORTA-MIRILLA                                  | SUPPORT HUBLLOT   |
| 12 | 290627 | DOOR BUMP                                   | ESPARRAGO ESCOTILLA                            | GOUJON HUBLLOT  |
| 13 | 350561 | SELFOIL SLEEVE B11A22-28-30                 | COJ. SELFOIL B11A22-28-30                      | FRETTE SELFOIL B11A22-28-30                             |
| 14 | 176008 | DOOR GASKET                                 | JUNTA ESCOTILLA                                | JOINT HUBLLOT   |
|    | 342626 | SILICON DOOR GASKET *<br>(SPARE PARTS ONLY) | JUNTA ESCOTILLA SILICONA *<br>(SOLO RECAMBIOS) | JOINT HUBLLOT SILICON *<br>(SEULEMENT PIÈCES DÉTACHÉES) |
| 15 | 216820 | DOOR GASKET CLIP                            | GRAPA JUNTA ESCOTILLA                          | CLIP JOINT HUBLLOT                                      |
| 16 | 149906 | INOX. HEX. NUT DIN 934 M-3                  | TUER.EX.DIN934 INOX A2-70 M 3                  | ECROU HEX. INOX DIN934 M-3                              |
| 17 | 146035 | BICR CYL SCREW DIN84 M-3X10                 | TOR.CIL.DIN84-4.8 B.TRI.M 3X10                 | VIS CYL BICR DIN84-4.8 M 3X10                           |
| 18 | 279810 | LOCKING BOX COVER                           | TAPETA CAJA CIERRE                             | COUVERCLE BOITE FERMETURE                               |
| 19 | 302331 | ALLEN SCREW DIN912-8.8 BICR.                | TOR.ALLDIN912-8.8 B.TRI.M 6X35                 | VIS ALLDIN912-8.8 BICR.M6X35                            |
| 20 | 276543 | LOCKING BASE                                | BASE CIERRE                                    | BASE FERMETURE  |
| 21 | 149948 | INOX. HEX. NUT DIN 934 M-12                 | TUER.EX.DIN934 INOX A2-70 M12                  | ECROU HEX. INOX. DIN 934 M-12                           |
| 22 | 149302 | INOX.A2 WASHER DIN 125 13                   | ARAN. DIN125 INOX A2 13                        | RONDELLE INOX.A2 DIN 125 13                             |
| 23 | 279760 | MICROSWITCH                                 | MINIRRUPTOR                                    | MICRORRUPTEUR   |
| 24 | 281113 | MICROSWITCH ISOLATION                       | AISLANTE MICRORRUPTOR                          | ISOLANT MICRORRUPTEUR                                   |
| 25 | 303131 | BICR.SCREW DIN963-4.8 M 3X 20               | TOR.AV.DIN963-4.8B.TRI. M 3X20                 | VIS.T/FRAIS DIN963-4.8 B.M3X20                          |
| 26 | 149484 | BICR.WASHER B DIN125-ST 3,2                 | ARAN.B DIN125-ST B.TRI. 3,2                    | RONDELLE B.DIN125-ST BICR. 3,2                          |
| 27 | 150151 | INOX BLIND NUT DIN 1587 M-4                 | TUERCA CIE.INOX LAR.DIN1587M 4                 | ECROU AVEUGLE INOX DIN 1587 M4                          |

| Nº | REF    | DENOMINATION                   | DENOMINACIÓN                   | DENOMINATION                   |
|----|--------|--------------------------------|--------------------------------|--------------------------------|
| 28 | 276519 | KNOB ROLL                      | RODILLO EMPUÑADURA             | ROULEAU POIGNEE                |
| 29 | 276477 | KNOB BOLT                      | BULON EMPUÑADURA               | BOULON POIGNEE                 |
| 30 | 149526 | BICR.WASHER B DIN125-ST 6,4    | ARAN.B DIN125-ST B.TRI. 6,4    | RONDELLE B DIN125-ST BICR.6,4  |
| 31 | 176834 | SELFBLOCKING NUT DIN985 M-6    | TUER.AUTOBL.DIN985-8 B.TRI.M6  | ECROU AUTOBLOCANT DIN985 M-6   |
| 32 | 199307 | SAFETY LOCK BOX                | CAJA CIERRE SEGURIDAD          | BOITE FERMETURE SECURITE       |
| 33 | 300632 | INOX A2-70 SCREW DIN85 M5X 8   | TOR.PLA.DIN85 INOX A2-70 M5X 8 | VIS DIN85 INOX A2-70 M5X 8     |
| 34 | 149369 | INOX A2 WASHER DIN 125 5,3     | ARAN. DIN125 INOX A2 5,3       | RONDELLE INOX A2 DIN 125 5,3   |
| 35 | 278036 | WIRE PROTECTION HOSE           | TUBO PROTECCION CABLES         | TUBE PROTECTION CABLES         |
| 36 | 276824 | WIRE PROTECTION CLAMP          | BRIDA PROTECCION CABLES        | BRIDE PROTECTION CABLES        |
| 37 | 144774 | INOX HEX SCREW DIN 933 M-5X10  | TOR.EX.DIN933INOX A2-70 M 5X10 | VIS HEX INOX DIN 933 M-5X10    |
| 38 | 283689 | LOCK KNOB JOINTING             | UNION EMPUÑADURA CIERRE        | UNION POIGNEE FERMETURE        |
| 39 | 283697 | SAFETY LOCK COIL               | BOBINA CIERRE SEGURIDAD        | BOBINE FERMETURE SECURITE      |
| 40 | 147561 | SCREW DIN963-4.8 M 3X 7        | TOR.AV.DIN963-4.8 B.TRI.M 3X 7 | VIS DIN963-4.8 BICR M 3X 7     |
| 41 | 300665 | COIL SPRING                    | MUELLE BOBINA                  | RESSORT BOBINE                 |
| 42 | 150698 | FLEXIBLE PIN DIN1481 D3X10     | PASADOR ELASTICO DIN1481 D3X10 | GOUJON ELASTIQUE DIN1481 D3X10 |
| 43 | 276402 | SLIDING BLOCKER                | BLOQUEADOR DESLIZANTE          | BLOQUEUR COULISSANT            |
| 44 | 175224 | RECTIFIER BRIDGE FB1010        | PUENTE RECTIFIC.FAGOR FB1010 * | PONT RECTIFIEUR FB1010         |
| 45 | 199240 | BICR.SCREW DIN963-4.8 M4X30    | TOR.AV.DIN963-4.8 B.TRI M 4X30 | VIS T/FRAIS.DIN963-4 BIC.M4X30 |
| 46 | 300467 | CYLINDER SEPARATOR SS10-4 CPVC | SEPARADOR CILINDR.SS10-4 CPVC  | SEPARATEUR CYLINDR.SS10-4 CPVC |
| 47 | 149476 | BICR.WASHER B DIN125-ST 4,3    | ARAN.B DIN125-ST B.TRI. 4,3    | RONDELLE B DIN125-ST BICR.4,3  |
| 48 | 150185 | BICR.HEX.NUT DIN934-8 M4       | TUER.EX.DIN934-8 B.TRI.M 4     | ECROU HEX.DIN934-8 BICR.M4     |
| 49 | 438259 | DOOR                           | CUERPO ESCOTILLA               | HUBLOT                         |
| 50 | 199323 | DOOR LOCK PIECE                | PIEZA CIERRE SEGURIDAD         | PIECE FERMETURE HUBLOT         |
| 51 | 144295 | BICR.SCREW ALLEN912-8.8 M 5X25 | TOR.ALDDIN912-8.8 B.TRI.M 5X25 | VIS ALDDIN912-8.8 BICR.M 5X 25 |
| 52 | 174482 | SELFOIL SLEEVE B11B22-28-25/33 | COJ. SELFOIL B11B22-28-25/33-4 | FRETTE SELFOIL B11B22-28-25/33 |
| 53 | 438283 | HINGE                          | BISAGRA                        | CHARNIERE                      |
| 54 | 175752 | ALLEN SCREW DIN 912 M-20X60    | TOR.ALDDIN912-8.8 B.TRI.M20X60 | VIS ALLEN DIN 912 M-20X60      |
| 55 | 438291 | HINGE                          | BISAGRA                        | CHARNIERE                      |



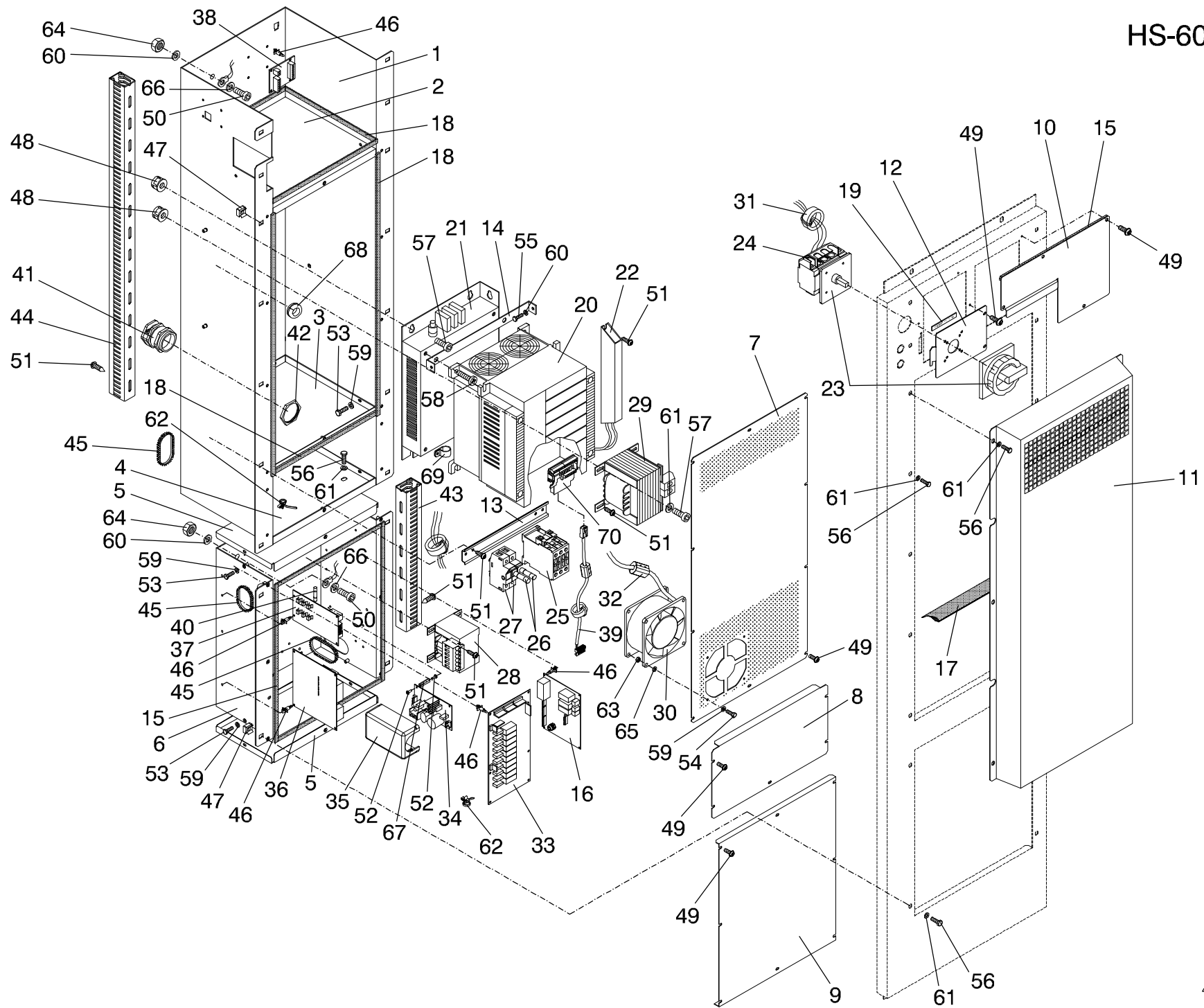
| Nº | REF    | DENOMINATION                  | DENOMINACIÓN                   | DENOMINATION                   |
|----|--------|-------------------------------|--------------------------------|--------------------------------|
| 56 | 116129 | SCREW GASKET                  | JUNTA TORNILLO                 | JOINT VIS                      |
| 57 | 176776 | CONICAL END FIG. 26 D38       | TOPE CONICO FIG.26 D38         | ARRET CONIQUE FIG. 26 D38      |
| 58 | 175778 | ALLEN BUMP DIN 916 M-8X15     | ESP.ALL.DIN916-10.9 M 8X15     | GOUJON ALLEN DIN 916 M-8X15    |
| 59 | 206995 | DOOR BOLT                     | BULON ESCOTILLA                | BOULON HUBLLOT                 |
| 60 | 174524 | FLEXIBLE RING E-22 DIN 471    | ANILLO ELASTICO E-22 DIN 471   | BAGUE ELASTIQUE E-22 DIN 471   |
| 61 | 276857 | MICROSWITCH BRACKET           | SOPORTE MICRORRUPTOR           | SUPPORT MICRORRUPTEUR          |
| 62 | 146043 | BIC CYL SCREW DIN84-4,8 M3X16 | TOR.CIL.DIN84-4.8 B.TRI.M 3X16 | VIS CYL DIN84-4,8 BICR.M3X16   |
| 63 | 276907 | MICROSWITCH ACTIVATOR BOLT    | PERNO ACCIONADOR MICRORRUPTOR  | BOULON ACCIONATEUR MICRORRUPT. |
| 64 | 198069 | SPRING                        | MUELLE COMPENSADOR             | RESSORT                        |
| 65 | 149922 | INOX HEX. NUT DIN 934 M-4     | TUER.EX.DIN934 INOX A2-70 M 4  | ECROU HEX. INOX DIN 934 M-4    |
| 66 | 276873 | MICROSWITCH DRIVE             | ACCIONADOR MICRORRUPTOR        | ACTIONNEMENT MICRORRUPTEUR     |
| 67 | 276840 | GUIDE SLEEVE                  | CASQUILLO GUIA                 | FRETTE GUIDE                   |
| 68 | 439430 | PROTECTION COVER              | TAPA PROTECCION                | COUVERCLE PROTECTION           |
| 69 | 326116 | SCREW SF PLUS M4X10           | TOR.CELO 410TT85T 4X10 INOX    | VIS SF PLUS M4X10              |
| 70 | 149328 | INOX A2 WASHER DIN 125 4,3    | ARAN. DIN125 INOX A2 4,3       | RONDELLE INOX A2 DIN 125 4,3   |
| 71 | 145649 | INOX FLAT SCREW DIN85 M 4X10  | TOR.PLA.DIN85 INOX A2-70 M4X10 | VIS PLAT INOX DIN85 M-4X10 A2  |
| 72 | 276899 | WIRE PROTECTION HOSE          | TUBO PROTECCION CABLES         | TUBE PROTECTION CABLES         |
| 73 | 200212 | DOOR END-PIECE                | TOPE ESCOTILLA                 | ARRET HUBLLOT                  |
| 74 | 244202 | DOOR RING                     | ARO ESCOTILLA                  | BAGUE HUBLLOT                  |
|    | 244194 | COMPLETE DOOR                 | ESCOTILLA COMPLETA             | HUBLLOT COMPLET                |
| 75 | 174912 | GLASS SPYHOLE D519X5          | MIRILLA CRISTAL D519+-1,5X5 *  | VITRE D519X5                   |
| 76 | 174920 | NEOPRENE A PROFILE L.1635 MM  | PERFIL A EPDM BLANCO 1635MM.   | PROFILE NEOPRENE A L.1635 MM   |
| 77 | 244210 | OUTER RING                    | ARO EXTERIOR                   | BAGUE EXTERIEUR                |



| Nº | REF    | DENOMINATION  | DENOMINACIÓN   | DENOMINATION   |
|----|--------|---|--|--|
| 1  | 350215 | KEYBOARD IC   | TECLADO LAVADORA IC  | CLAVIER IC   |
|    | 350082 | KEYBOARD IC<br>(WITH TILTING)<br>(WITH HELP)                    | TECLADO LAVADORA IC<br>(CON VOLQUETE)<br>(CON HELP)        | CLAVIER IC<br>(AVEC SOCLE BASCULANT)<br>(AVEC HELP)                        |
| 2  | 447177 | SIDE CONTROL PANEL  | PANEL DE MANDOS LATERAL                                    | PANNEAU DE COMMANDES LATERAL   |
| 3  | 353797 | HINGE CONTROL PANEL   | BISAGRA PANEL DE MANDOS LAT.                               | CHARNIERE TABLEAU COMMANDE   |
| 4  | 423020 | CARD FIXING-PIECE SMARTCARD                                     | FIJACION TARJETA SMARTCARD                                 | FIXATION TARGETTE SMARTCARD  |
| 5  | 349993 | CONTROL PANEL HINGE   | BISAGRA PANEL DE MANDOS                                    | CHARNIERE TABLEAU COMMANDE   |
| 6  | 520924 | CONNECTOR BRACKET   | SOPORTE CONECTORAS   | SUPPORT CONNECTEURS  |
| 7  | 447136 | CONTROL PANEL BOX   | CAJA PANEL DE MANDOS                                       | BOITE PANNEAU DE COMMANDES   |
| 8  | 279588 | AIR CONDUCTION HOSE   | TUBO CONDUCCION AIRE                                       | TUBE CONDUITE AIR  |
| 9  | 120956 | LEVEL PRESSURE-SWITCH INTAKE                                    | TOMA PRESOSTATO NIVEL                                      | PRISE PRESSOSTAT NIVEAU  |
| 10 | 283523 | PRESSOSTAT HOSE   | TUBO PRESOSTATO  | TUBE PRESSOSTAT  |
| 11 | 506808 | SCREEN KIT LCD IC   | CONJUNTO PANTALLA LCD IC                                   | ENSEMBLE ÉCRAN LCD IC  |
|    | 427179 | INTELI DISPLAY  | DISPLAY INTELI   | DISPLAY INTELI   |
| 12 | 343616 | COM-B COMMUNICATIONS BOARD<br>(WITH COM)                        | PLACA COMUNICACIONES COM-B *<br>(PARA COM)                 | PLAQUE COMMUNICATIONS COM-B<br>(AVEC COM)                                  |
| 13 | 322768 | MICRO BOARD SEPARATOR   | SEPARADOR PLACA MICRO                                      | SEPARATEUR PLAQUE MICRO  |
| 14 | 338038 | NYLON SEPARATOR D10XD5X14.7                                     | SEPARADOR NYLON D10XD5X14.7                                | SEPARATEUR NYLON D10XD5X14.7   |
| 15 | 322784 | PRESSURE TRANSMITTER 400.95100                                  | TRANSM.PRESION HUBA 400.95100                              | PRESSOSTAT HUBA 400.95100  |
| 16 | 332684 | INTELI SMARTCARD SOCKET   | ZOCALO TARJETA INTELI *                                    | SOCLE TARGETTE SMARTCARD INTEL   |
| 17 | 341511 | EMERGENCY STOP IC   | PARO EMERGENCIA IC   | ARRET EMERGENCE IC   |
| 18 | 192294 | YELLOW RING   | ARO AMARILLO   | BAGUE JAUNE  |
| 19 | 447094 | EMERGENCY STOP PLUG   | CONECTORA PARO EMERGENCIA                                  | CONNECTEUR ARRET EMERGENCE   |
| 20 | 300780 | SWITCH 1WIXII/3359 WHITE  | INTERRUPTOR C1500AL AAG                                    | INTERRUPTEUR 1WIXII/3359 BLANC   |
| 21 | 340539 | INTELI SMARTCARD CARD   | TARJETA SMARTCARD INTELI                                   | CARTE SMARTCARD INTELI   |
| 22 | 510677 | TILT PUSH-BUTTON/HELP SERIAL-6<br>(WITH TILTING)<br>(WITH HELP) | PULSADOR TILT/HELP SERIE-6<br>(CON VOLQUETE)<br>(CON HELP) | BOUTON-POUSSOIR TILT/HELP SERIE-6<br>(AVEC SOCLE BASCULANT)<br>(AVEC HELP) |
| 23 | 196915 | LOCK RE.20.00.02.05<br>(KEYS INCLUDED)                          | CERRADURA REF.20.00.02.05 *<br>(INCLUYE LLAVES)            | FERMETURE REF.20.00.02.05<br>(CLES COMPRISES)                              |

| N° | REF    | DENOMINATION                   | DENOMINACIÓN                   | DENOMINATION                   |
|----|--------|--------------------------------|--------------------------------|--------------------------------|
| 24 | 196923 | LOCK KEY RE.10.41.213          | LLAVE REF.10.41.213 COMB.T-205 | CLE FERMETURE REF.10.41.213    |
| 25 | 279901 | SEPARATOR WASHER               | ARANDELA 13X6.25X 2 NYLON      | RONDELLE SEPARATEUR            |
| 26 | 332809 | CIRCUIT BRACKET LCBS-4-7-01    | SOPORTE CIRCUITO LCBS-4-7-01   | SUPPORT CIRCUIT LCBS-4-7-01    |
| 27 | 199893 | CLAMP STL-450-3-01             | ABRAZADERA STL-3N-450          | BRIDE STL-450-3-01             |
| 28 | 183400 | CYL.PLATE SCREW ST-4 20 C/AL   | TOR.CHAPA ST-4 20 C/AL.T25 *   | VIS PLAQUE CYL.ST-4 20 C/AL    |
| 29 | 146290 | BICR.HEX SCREW DIN933-8 M-5X20 | TOR.EX.DIN933-8.8 B.TRI.M 5X20 | VIS HEX BICR.DIN933-8.8 M-5X20 |
| 30 | 149476 | BICR.WASHER B DIN125-ST 4,3    | ARAN.B DIN125-ST B.TRI. 4,3    | RONDELLE B DIN125-ST BICR.4,3  |
| 31 | 149534 | BICR.WASHER B DIN125-ST 5,3    | ARAN.B DIN125-ST BICR. 5,3     | RONDELLE B BICR.DIN125-ST 5,3  |
| 32 | 150185 | BICR.HEX.NUT DIN934-8 M4       | TUER.EX.DIN934-8 B.TRI.M 4     | ECROU HEX.DIN934-8 BICR.M4     |
| 33 | 176826 | SELF-BLOCKING NUT DIN 985 M-5  | TUER.AUTOBL.DIN985-8 B.TRI.M5  | ECROU AUTOBLOCANT DIN 985 M-5  |





| Nº | REF    | DENOMINATION  | DENOMINACIÓN  | DENOMINATION  |
|----|--------|---|---|---|
| 1  | 455006 | CONVERTER INSTALLATION PLATE  | PLACA INSTALACION CONVERTIDOR   | PLAQUE INSTALLATION CONVERTISSEUR   |
| 2  | 455014 | UPPER CEM COVER   | TAPA CEM SUPERIOR   | COUVERCLE CEM SUPERIEUR   |
| 3  | 455030 | INTERMEDIARY CEM COVER  | TAPA CEM INTERMEDIA   | COUVERCLE CEM INTERMEDIAIRE   |
| 4  | 455063 | LOWER CEM COVER   | TAPA CEM INFERIOR   | COUVERCLE CEM INFERIEUR   |
| 5  | 454868 | ELECTRIC BOX PLATE  | FONDO ARMARIO ELECTRICO   | FOND ARMOIRE ELECTRIQUE   |
| 6  | 454751 | ELECTRIC BOX CASE   | CAJA ARMARIO ELECTRICO  | BOITE ARMOIRE ELECTRIQUE  |
| 7  | 455113 | CEM COVER   | TAPA CEM  | COUVERCLE CEM   |
| 8  | 455121 | ELECTRIC CONTROL COVER  | TAPA CUADRO ELECTRICO   | COUVERCLE PANNEAU ELECTRIQUE  |
| 9  | 454645 | ELECTRIC BOX COVER  | TAPA ARMARIO ELECTRICO  | COUVERCLE ARMOIRE ELECTRIQUE  |
| 10 | 455154 | POWER INLET COVER<br>(PROFILE INCLUDED)                                       | TAPA ENTRADA CORRIENTE<br>(INCLUYE PERFIL)  | COUVERCLE ENTREE COURANT<br>(COMPRIS PROFILE)                                       |
| 11 | 454777 | AIR CONDUCTION LID<br>(PROFILE INCLUDED)                                      | TAPA CONDUCCION AIRE<br>(INCLUYE PERFIL)  | COUVERCLE CONDUCTION AIR<br>(COMPRIS PROFILE)                                       |
| 12 | 431114 | SELECTOR COVER  | TAPA SELECTOR   | COUVERCLE SELECTEUR   |
| 13 | 245571 | CONTACTOR FIXING PROFILE  | PERFIL FIJACION CONTACTORES   | PROFILE FIXATION CONTACTEURS  |
| 14 | 504803 | FILTER-INVERTER BRACKET   | SOPORTE FILTRO-CONVERTIDOR  | SUPPORT FILTRE-CONVERTISSEUR  |
| 15 | 110114 | PROFILE EXTRA 5463GREY 6X9X4<br>(1 METER)                                     | BURL.AISLAN.TESA 5463-22 6X9X4<br>(1 METRO)                                       | PROFILE EXTRA 5463GRIS 6X9X4<br>(1 METRE)   |
| 16 | 456509 | INTELI BOARD E/S-3/A (TILT)<br>(WITH TILTING)<br>(WITH HELP)                  | PLACA INTELI E/S-3/A (TILT)<br>(CON VOLQUETE)<br>(CON HELP)                       | PLAQUE INTELI E/S-3/A (TILT)<br>(AVEC SOCLE BASCULANT)<br>(AVEC HELP)               |
| 17 | 454975 | OBTURATOR PROFILE   | PERFIL OBTURADOR  | PROFILE OBTURATEUR  |
| 18 | 321273 | PROFILE E0819T00000 UL94HB<br>(1 METER)                                       | PERFIL E0813T00000 UL94HB<br>(1 METRO)  | PROFILE E0819T00000 UL94HB<br>(1 METRE)   |
| 19 | 321265 | CONNECTION TERMINAL PLATE   | PLACA BORNES CONEXION   | PLAQUE BORNE CONNECTION   |
| 20 | 360438 | CONVERTER FRN11E1S-2J *<br>(FOR 200V-208V-220V-230V-240V)<br>(FOR (208÷240)V) | CONVERTIDOR FRN11E1S-2J *<br>(PARA 200V-208V-220V-230V-240V)<br>(PARA (208÷240)V) | CONVERTISSEUR FRN11E1S-2J *<br>(POUR 200V-208V-220V-230V-240V)<br>(POUR (208÷240)V) |
|    | 360446 | CONVERTER FRN11E1S-4E *<br>(FOR 380V-400V-415V-440V-480V)<br>(FOR (440÷480)V) | CONVERTIDOR FRN11E1S-4E *<br>(PARA 380V-400V-415V-440V-480V)<br>(PARA (440÷480)V) | CONVERTISSEUR FRN11E1S-4E *<br>(POUR 380V-400V-415V-440V-480V)<br>(POUR (440÷480)V) |
| 21 | 360453 | FILTER TYPE FS21312-44-07-1   | FILTRO TIPO FS21312-44-07-1   | FILTRE TP.FS21312-44-07-1   |

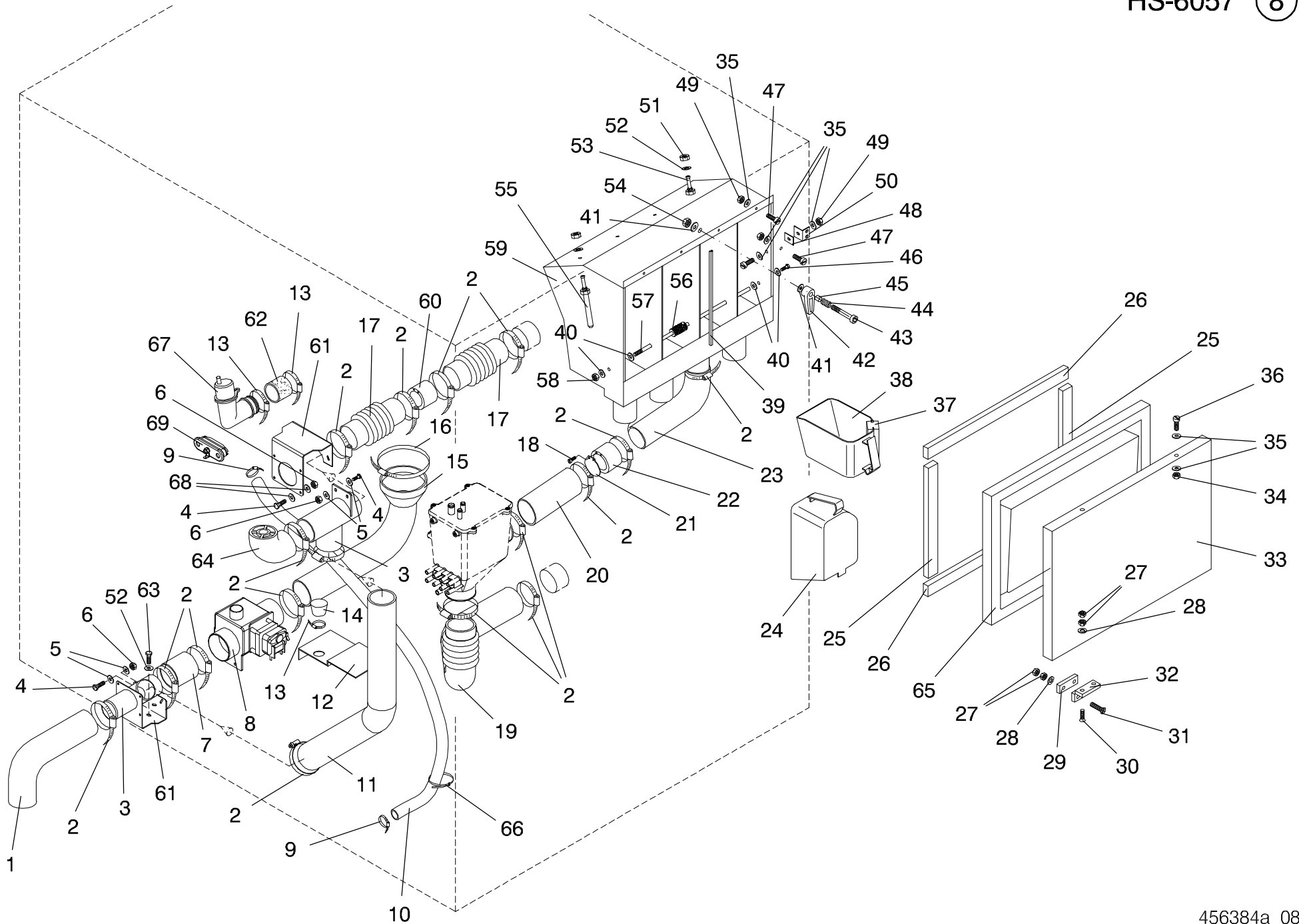
| N° | REF    | DENOMINATION   | DENOMINACIÓN  | DENOMINATION   |
|----|--------|--|---|--|
| 22 | 456681 | BRAKE RESISTENCE 100W 400HM<br>(FOR 200V-208V-220V-230V-240V)<br>(FOR (208÷240)V)  | 0,421TENCIA FRENO 100W 400HM<br>(PARA 200V-208V-220V-230V-240V)<br>(PARA (208÷240)V)  | RESISTENCE FREIN 100W 400HM<br>(POUR 200V-208V-220V-230V-240V)<br>(POUR (208÷240)V)  |
|    | 456699 | BRAKE RESISTENCE 100W 1600HM<br>(FOR 380V-400V-415V-440V-480V)<br>(FOR (440÷480)V) | RESISTENCIA FRENO 100W 1600HM<br>(PARA 380V-400V-415V-440V-480V)<br>(PARA (440÷480)V) | RESISTENCE FREIN 100W 1600HM<br>(POUR 380V-400V-415V-440V-480V)<br>(POUR (440÷480)V) |
| 23 | 320887 | PAQUET.SWITCH 3LD2 203-0TK53   | INTERRUP.PAQUET.3LD2 203-0TK53  | INTERRUP.PAQUET.3LD2 203-0TK53   |
| 24 | 320895 | TERMINAL PE 3LD9220-2B   | BORNE PE 3LD9220-2B   | BORNE PE 3LD9220-2B  |
| 25 | 320846 | CONTACTOR 3RT10 24-1AL2  | CONTACTOR 3RT10 24-1AL2   | CONTACTEUR 3RT10 24-1AL2   |
|    | 321240 | COIL 3RT1924-5AL21 230-50/60   | BOBINA 3RT1924-5AL21 230-50/60  | BOBINE 3RT1924-5AL21 230-50/60   |
| 26 | 508333 | FUSE 10X38 UL-ATQ 1,25A *<br>(FOR 200V-208V-220V-230V-240V)<br>(FOR (208÷240)V)    | FUSIBLE 10X38 UL-ATQ 1,25A *<br>(PARA 200V-208V-220V-230V-240V)<br>(PARA (208÷240)V)  | FUSIBLE 10X38 UL-ATQ 1,25A *<br>(POUR 200V-208V-220V-230V-240V)<br>(POUR (208÷240)V) |
|    | 508325 | FUSE 10X38 UL-ATQ 1A *<br>(FOR 380V-400V-415V-440V-480V)<br>(FOR (440÷480)V)       | FUSIBLE 10X38 UL-ATQ 1A *<br>(PARA 380V-400V-415V-440V-480V)<br>(PARA (440÷480)V)     | FUSIBLE 10X38 UL-ATQ 1A *<br>(POUR 380V-400V-415V-440V-480V)<br>(POUR (440÷480)V)    |
| 27 | 306431 | FUSE HOLDER 32A 10X38  | PORTAFUSIBLES 32A 10X38 1P*   | PORTE-FUSIBLE 32A 10X38  |
| 28 | 320929 | TRANSFORMER IP00 160 VA<br>(FOR 200V-208V-220V-230V-240V)<br>(FOR (208÷240)V)      | TRANSFORMADOR IP00 160 VA *<br>(PARA 200V-208V-220V-230V-240V)<br>(PARA (208÷240)V)   | TRANSFORMATEUR IP00 160 VA<br>(POUR 200V-208V-220V-230V-240V)<br>(POUR (208÷240)V)   |
|    | 320937 | TRANSFORMER IP00 160 VA<br>(FOR 380V-400V-415V-440V-480V)<br>(FOR (440÷480)V)      | TRANSFORMADOR IP00 160 VA *<br>(PARA 380V-400V-415V-440V-480V)<br>(PARA (440÷480)V)   | TRANSFORMATEUR IP00 160 VA<br>(POUR 380V-400V-415V-440V-480V)<br>(POUR (440÷480)V)   |
| 29 | 318428 | INDUCTANCE DCR003<br>(FOR 200V-208V-220V-230V-240V)<br>(FOR (208÷240)V)            | INDUCTANCIA DCR003<br>(PARA 200V-208V-220V-230V-240V)<br>(PARA (208÷240)V)            | INDUCTANCE DCR003<br>(POUR 200V-208V-220V-230V-240V)<br>(POUR (208÷240)V)            |
|    | 320978 | INDUCTANCE DCR005<br>(FOR 380V-400V-415V-440V-480V)<br>(FOR (440÷480)V)            | INDUCTANCIA DCR005<br>(PARA 380V-400V-415V-440V-480V)<br>(PARA (440÷480)V)            | INDUCTANCE DCR005<br>(POUR 380V-400V-415V-440V-480V)<br>(POUR (440÷480)V)            |
| 30 | 147884 | FAN 120X120C38 220-240V  | VENTILADOR 120X120X38 220-240*  | VENTILATEUR 120X120C38 220-240   |
| 31 | 508317 | FERRITE 40X24 *  | FERRITA 40X24 *   | FERRITE 40X24 *  |
| 32 | 321182 | FERRITE SPLIT RFC-13   | FERRITA SPLIT RFC-13  | FERRITE SPLIT RFC-13   |
| 33 | 353326 | INTELI LABEL E/S-1/D   | PLACA INTELI E/S-1/D  | PLAQUE INTELI E/S-1/D  |
| 34 | 332718 | POWER SOURCE MW PS-25-12   | FUENTE ALIMENT.MW PS-25-12  | FONT ALIMENT.MW PS-25-12   |
| 35 | 326843 | MICROPROCESSOR PLATE COVER   | TAPA PLACA MICROPROCESADOR  | COUVERCLE PLAQUE MICROPROSSEUR   |
| 36 | 332544 | INTELI PLATE E/S-2/A   | PLACA INTELI E/S-2/A  | PLAQUE INTELI E/S-2/A  |



| N° | REF    | DENOMINATION                   | DENOMINACIÓN                   | DENOMINATION                   |
|----|--------|--------------------------------|--------------------------------|--------------------------------|
| 37 | 332395 | AUXILIARY PLATE HS-60**        | PLACA AUXILIAR HS-60**         | PLAQUE AUXILIAIRE HS-60**      |
| 38 | 365049 | INTELI LABEL EXTERNAL DOSING   | PLACA INTELI DOS. EXT/A        | PLAQUE INTELI DOSAGE EXTERNE   |
| 39 | 446773 | ELEC.INST. RS-485              | INST. ELEC. RS-485             | INST. ELEC. RS-485             |
| 40 | 321125 | FUSE SPT 1 A                   | CART.FUSIB.SPT 0001.2524 1 A*  | CARTOUCHE FUS. SPT 1 A         |
| 41 | 326462 | STUFFING-BOX EXAD CLAMP PG29   | PRENSAE.EXAD.BRIDA 82904 PG29  | PRESSE-ETOUPEX EXAD BRIDE PG29 |
| 42 | 140277 | COUNTERNUT PG-29               | TUERCA PG 282904 PG-29         | CONTREECROU PG-29              |
| 43 | 455147 | WIRETHROUGH CHANNEL            | CANAL PASACABLES               | CHANNEL PASSECABLES            |
| 44 | 455238 | WIRETHROUGH CHANNEL            | CANAL PASACABLES               | CHANNEL PASSECABLES            |
| 45 | 332262 | CASTING MGS-2-01               | MOLDURA MGS-2-01               | MOULE MGS-2-01                 |
| 46 | 332809 | CIRCUIT BRACKET LCBS-4-7-01    | SOPORTE CIRCUITO LCBS-4-7-01   | SUPPORT CIRCUIT LCBS-4-7-01    |
| 47 | 321117 | NUT ENJ.M6 1,6-2,5 R.310008-7  | TUER.ENJ.M6 1,6-2,5 R.310008-7 | ECROU ENJ.M6 1,6-2,5 R310008-7 |
| 48 | 128934 | CYLINDRICAL CAGED NUT M-6      | TUER.ENJ.M6 CILINDR.R-310078-1 | ECROU ENCAGE CYLINDRIQUE M-6   |
| 49 | 328229 | SCREW ALO.T25 AR.18ESTR M 4X10 | TOR.ALOM.T25 AR.18ESTR.M 4X10* | VIS ALOM.T25 AR.18ESTR.M 4X10  |
| 50 | 144295 | BICR.SCREW ALLEN912-8.8 M 5X25 | TOR.ALDDIN912-8.8 B.TRI.M 5X25 | VIS ALLDIN912-8.8 BICR.M 5X 25 |
| 51 | 183400 | CYL.PLATE SCREW ST-4 20 C/AL   | TOR.CHAPA ST-4 20 C/AL.T25 *   | VIS PLAQUE CYL.ST-4 20 C/AL    |
| 52 | 322693 | SCREW PT KB35X10 WN1412        | TOR.EJOT PT SCREW K35X10*      | VIS PT KN35X10 WN1412          |
| 53 | 146258 | BIC.HEX SCREW DIN933-4.8 M4X10 | TOR.EX.DIN933-4.8 B.TRI.M 4X10 | VIS HEX DIN933-4.8 BICR.M 4X10 |
| 54 | 146266 | BICR.HEX SCREW DIN933-8 M-4X15 | TOR.EX.DIN933-4.8 B.TRI.M 4X15 | VIS HEX BICR.DIN933-8.8 M-4X15 |
| 55 | 146282 | BICR.HEX SCREW DIN933-8 M 5X15 | TOR.EX.DIN933-8.8 B.TRI.M 5X15 | VIS HEX BICR.DIN933-8.8 M 5X15 |
| 56 | 146233 | BICR.HEX SCREW DIN933-8 M6X15  | TOR.EX.DIN933-8.8 B.TRI.M 6X15 | VIS HEX DIN933-8.8 BICR.M6X15  |
| 57 | 144337 | ALLEN SCREW DIN912 M 6X15      | TOR.ALDDIN912-8.8 B.TRI.M 6X15 | VIS ALLEN DIN912 M 6X15        |
| 58 | 144394 | ALLEN SCREW DIN912 M8X20       | TOR.ALDDIN912-8.8 B.TRI.M 8X20 | VIS ALLEN DIN912 M8X20         |
| 59 | 149476 | BICR.WASHER B DIN125-ST 4,3    | ARAN.B DIN125-ST B.TRI. 4,3    | RONDELLE B DIN125-ST BICR.4,3  |
| 60 | 149534 | BICR.WASHER B DIN125-ST 5,3    | ARAN.B DIN125-ST BICR. 5,3     | RONDELLE B BICR.DIN125-ST 5,3  |
| 61 | 153205 | WASHER 20X7X2                  | ARANDELA 20X7X2 TRIVALEN.      | RONDELLE 20X7X2                |
| 62 | 326132 | CLAMP ABA-036-48-0152-B        | ABRAZADERA ABA-036-48-0152-B   | BRIDE ABA-036-48-0152-B        |
| 63 | 132043 | SELFBLOCKING NUT DIN985 M 4    | TUER.AUTOBL.DIN985-8 B.TRI.M 4 | ECROU AUTOBLOCANT DIN985 M 4   |
| 64 | 150177 | BICR HEX NUT DIN934-8 M5       | TUER.EX.DIN934-8 B.TRI.M 5     | ECROU HEX DIN934-8 BIC.M5      |

| N° | REF    | DENOMINATION                  | DENOMINACIÓN                  | DENOMINATION                  |
|----|--------|-------------------------------|-------------------------------|-------------------------------|
| 65 | 279901 | SEPARATOR WASHER              | ARANDELA 13X6.25X 2 NYLON     | RONDELLE SEPARATEUR           |
| 66 | 149724 | BICR EXT.TOOT.WASH.DIN6798 M5 | ARAN.DEN.EXT.B.TRI.DIN6798M 5 | RONDEL DEN.EX.BICR.DIN6798 M5 |
| 67 | 322685 | SEPARATOR HEX.HS6-8           | SEPARADOR EXAGONAL HS6-8      | SEPARATEUR HEX. HS6-8         |
| 68 | 332601 | SHEATH-LODGING DGB-7          | PASAMUROS DGB-7               | LOGEMENT DGB-7                |
| 69 | 323055 | ALUMINIUM CLAMP AL2           | ABRAZADERA ALUMINIO AL2       | BRIDE ALUMINIUM AL2           |
| 70 | 503557 | COMMUNICATION BOARD RS485     | PLACA COMUNIC.RS485 OPC-E1-RS | PLAQUE COMMUNICATIONS RS485   |





| Nº | REF    | DENOMINATION                                     | DENOMINACIÓN  | DENOMINATION   |
|----|--------|--|---|--|
| 1  | 163253 | DRAIN OUTLET HOSE                                | TUBO SALIDA DESAGÜE                                     | TUBE SORTIE VIDANGE                                    |
| 2  | 132340 | CLAMP 301510-0 D80-100                           | ABRAZADERA 80-100 *                                     | BRIDE 301510-0 D80-100                                 |
| 3  | 178152 | UNION T  | TE UNION  | T UNION  |
| 4  | 146316 | BICR.HEX SCREW DIN933-8 M-6X20                   | TOR.EX.DIN933-8.8 B.TRI.M 6X20                          | VIX HEX BICR.DIN933-8.8 M-6X20                         |
| 5  | 115733 | WASHER 16X7X3                                    | ARANDELA 16X7X3 TRIVALEN.                               | RONDELLE 16X7X3  |
| 6  | 150227 | BICR HEX NUT DIN934-8 M6                         | TUER.EX.DIN934-8 B.TRI.M 6                              | ECROU HEX DIN934-8 BICR.M6                             |
| 7  | 277053 | DRAIN JOINTING HOSE                              | TUBO UNION DESAGUE                                      | TUBE UNION VIDANGE                                     |
| 8  | 163238 | DRAIN (NORMALLY CLOSED)                          | DESAGUE(CERRADO A F.DE CORR.)*                          | VIDANGE (NORMALEMENT FERMEE)                           |
|    | 163212 | DRAIN (NORMALLY OPEN)                            | DESAGUE(ABIERTO A F.DE CORR.)*                          | VIDANGE (NORMALEMENT OUVERTE)                          |
|    | 159764 | MOTOR AND GEAR-BOX RE. 453R<br>(NORMALLY CLOSED) | MOTOR-REDUCTOR 453R 0,24AMP. *<br>(NORMALMENTE CERRADO) | MOTEUR ET REDUCTEUR REF. 453R<br>(NORMALEMENT FERMÉ)   |
|    | 159756 | MOTOR AND GEAR-BOX RE. 453L<br>(NORMALLY OPEN)   | MOTOR-REDUCTOR0,24A.MTR453L18*<br>(NORMALMENTE ABIERTO) | MOTEUR ET REDUCTEUR REF.453L<br>(NORMALEMENT OUVERT)   |
|    | 159731 | OPERATING SPRING RE.408L<br>(NORMALLY CLOSED)    | MUELLE ACCIONAMIENTO REF.408L<br>(NORMALMENTE CERRADO)  | RESSORT ACTIONNEMENT REF. 408L<br>(NORMALEMENT FERMÉ)  |
|    | 159749 | OPERATING SPRING RE. 308R<br>(NORMALLY OPEN)     | MUELLE ACCIONAMIENTO DS308R<br>(NORMALMENTE ABIERTO)    | RESSORT ACTIONNEMENT REF. 308R<br>(NORMALEMENT OUVERT) |
|    | 166561 | DRAIN BODY RE. 711-SO 3"                         | CUERPO DESAGÜE REF.711-SO 3" *                          | CORPS VIDANGE REF. 711-SO 3"                           |
|    | 163394 | TIGHTNESS SEAL RE. 311VP                         | RETEN ESTANQUEIDAD REF.VP311 *                          | RESERVE ETACHEITE REF. 311VP                           |
|    | 166553 | MOTOR FIXING PLATE REF. 304Z                     | PLACA FIJACION MOTOR REF.304Z                           | PLAQUE FIXATION MOTEUR 304Z                            |
|    | 166611 | MOTOR FIXING PLATE SCREW                         | TORNILLO PLACA FIJAC.REF.306                            | VIS PLAQUE FIXATION MOTEUR                             |
|    | 166595 | MOTOR PLATE FIXING SCREW 320C                    | TORNILLO FIJACION REF.320C                              | VIS FIXATION 320C                                      |
|    | 166603 | CYL PLATE SCREW DIN7971 8X2"                     | TOR.CHAPA CILI.DIN7971 8X2"                             | VIS PLAQUE CYL DIN7971 8X2"                            |
|    | 166579 | OPERATING SHAFT 813C<br>(NORMALLY CLOSED)        | EJE ACCIONAMIENTO REF.813C<br>(NORMALMENTE CERRADO)     | AXE ACTIONNEMENT 813C<br>(NORMALEMENT FERMÉ)           |
|    | 166587 | OPERATING SHAFT REF. 713<br>(NORMALLY OPEN)      | EJE ACCIONAMIENTO REF.713<br>(NORMALMENTE ABIERTO)      | AXE ACTIONNEMENT REF. 713<br>(NORMALEMENT OUVERT)      |
|    | 166629 | OPERATIN SHAFT WASHER 823                        | ARANDELA EJE ACCIONAM. REF.823                          | RONDELLE AXE ACTIONNEMENT 823                          |
|    | 166637 | MANUAL LEVER REF. 601<br>(NORMALLY CLOSED)       | PALANCA MANUAL REF.601<br>(NORMALMENTE CERRADO)         | LEVIER MANUEL REF. 601<br>(NORMALEMENT FERMÉ)          |
| 9  | 156109 | CLAMP 16-27                                      | ABRAZADERA 16- 27 *                                     | BRIDE 16-27  |
| 10 | 234047 | BEARING BOX DRAIN HOSE                           | TUBO DESAGUE CAJA COJINETES                             | TUBE VIDANGE BOITE ROULEMENTS                          |

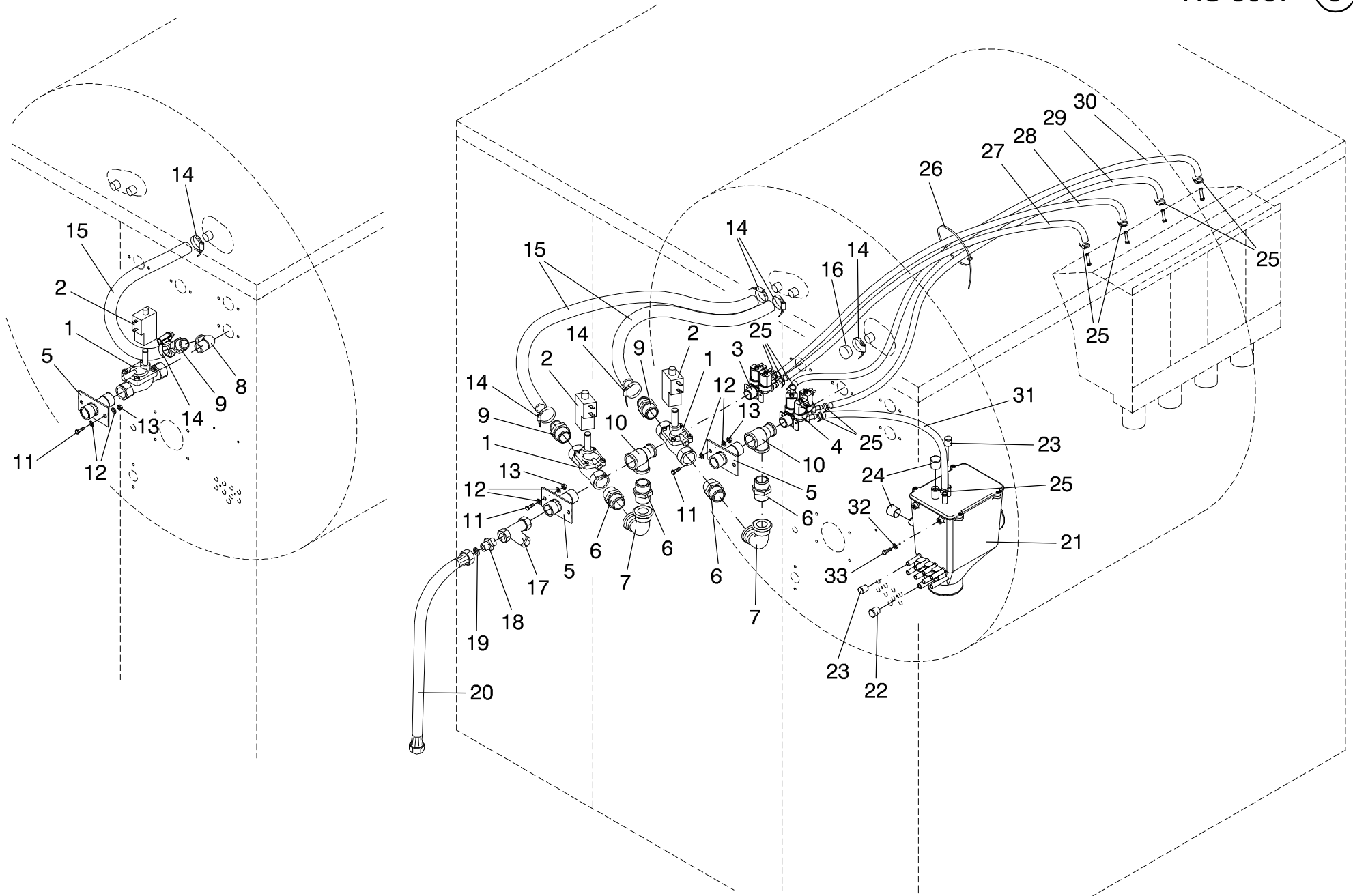
| Nº | REF    | DENOMINATION                     | DENOMINACIÓN                     | DENOMINATION                           |
|----|--------|----------------------------------|----------------------------------|--|
| 11 | 351981 | RUBBER ELBOW D73X585X505         | CODO GOMA D73X585X505            | COUDE GOMME D73X585X505                |
| 12 | 212795 | DRAIN PROTECTION                 | PROTECCION DESAGÜE               | PROTECTION VIDANGE                     |
| 13 | 149609 | CLAMP 301526-5 D25-40            | ABRAZADERA 25- 40 *              | BRIDE 301526-5 D25-40                  |
| 14 | 135004 | CONICAL END-PIECE REPRIMSA R16   | TOPE CONICO REPRIMSA R-16 D30    | ARRET CONIQUE REPRIMSA R16 D30         |
| 15 | 353383 | DRAIN HOSE                       | TUBO DESAGÜE                     | TUBE VIDANGE                           |
| 16 | 358192 | CLAMP 130-150 *                  | ABRAZADERA 130-150 *             | BRIDE 130-150 *                        |
| 17 | 439265 | VAPOUR OUTLET JOINTING           | UNION SALIDA VAHOS               | UNION SORTIE VAPEURS                   |
| 18 | 192203 | INOX PLATE SCREW DIN7971 4X1/2   | TOR.CHAPA INOX.DIN7971 4X1/2"    | VIS PLAQUE INOX DIN7971 4X1/2"         |
| 19 | 350157 | DRAIN HOSE                       | TUBO DESAGÜE                     | TUBE VIDANGE                           |
| 20 | 349613 | DRAIN HOSE                       | TUBO DESAGÜE                     | TUBE VIDANGE                           |
| 21 | 263954 | STOPPER MEMBRANE                 | MEMBRANA OBTURADOR               | OBTURATEUR MEMBRANE                    |
| 22 | 263962 | STOPPER<br>(MEMBRANE INCLUDED)   | OBTURADOR<br>(INCLUYE MEMBRANA)  | OBTURATEUR<br>(COMPRIS MEMBRANE)       |
| 23 | 453001 | DRAIN HOSE                       | TUBO DESAGÜE                     | TUBE VIDANGE                           |
| 24 | 244806 | SOLID SOAP DISPENSER             | DOSIFICADOR DETERGENTE SOLIDO    | BAC A PRODUIT DETERGENT SOLIDE         |
| 25 | 357855 | SOAP DISPENSER COVER GASKET      | JUNTA TAPA DOSIFICADORES         | JOINT COUVERCLE BAC A PRODUITS         |
| 26 | 357848 | SOAP DISPENSER COVER GASKET      | JUNTA TAPA DOSIFICADORES         | JOINT COUVERCLE BAC A PRODUITS         |
| 27 | 149906 | INOX. HEX. NUT DIN 934 M-3       | TUER.EX.DIN934 INOX A2-70 M 3    | ECROU HEX. INOX DIN934 M-3             |
| 28 | 152132 | INOX A2 WASHER DIN 125           | ARAN. DIN125 INOX A2 3,2         | RONDELLE INOX A2 DIN 125 3,2           |
| 29 | 244590 | HINGE SUPPLEMENT                 | SUPLEMENTO BISAGRA               | SUPPLEMENT CHARNIERE                   |
| 30 | 176784 | INOX SCREW DIN 963 M-3X10 A270   | TOR.AV.DIN963 INOX A2-70 M3X10   | VIS INOX DIN 963 M-3X10 A2-70          |
| 31 | 144758 | INOX LENS HEAD S.DIN963 M 3X15   | TOR.AV.DIN963 INOX A2-70 M3X16   | VIS T/FRAI.INOX DIN963 M 3X15          |
| 32 | 176800 | HINGE RE 15186 CHROMED           | BISAGRA PINET 72-7-3329 CROM.    | CHARNIERE 15186 CHROM                  |
| 33 | 244566 | DISPENSERS LID<br>(INOX)         | TAPA DOSIFICADORES<br>(INOX)     | COUVERCLE BAC A PRODUITS<br>(INOX)     |
|    | 446880 | SOAP DISPENSER LID<br>PRE-COATED | TAPA DOSIFICADORES<br>PRE-COATED | COUVERCLE BAC A PRODUITS<br>PRE-COATED |
| 34 | 149922 | INOX HEX. NUT DIN 934 M-4        | TUER.EX.DIN934 INOX A2-70 M 4    | ECROU HEX. INOX DIN 934 M-4            |
| 35 | 149328 | INOX A2 WASHER DIN 125 4,3       | ARAN. DIN125 INOX A2 4,3         | RONDELLE INOX A2 DIN 125 4,3           |
| 36 | 145649 | INOX FLAT SCREW DIN85 M 4X10     | TOR.PLA.DIN85 INOX A2-70 M4X10   | VIS PLAT INOX DIN85 M-4X10 A2          |

| Nº | REF    | DENOMINATION                                     | DENOMINACIÓN  | DENOMINATION  |
|----|--------|--|---|---|
| 37 | 234930 | CHLORINE INTAKE HOSE                             | TUBO ASPIRACION CLORO                                   | TUBE ASPIRATION CHLORE  |
| 38 | 244855 | LIQUID SOAP DISPENSER<br>(HOSE INCLUDED)         | DOSIFICADOR DETERGENTE LIQUIDO<br>(INCLUYE TUBO)        | BAC A PRODUIT DETERG.LIQUIDE<br>(TUBE COMPRIS)                |
| 39 | 255547 | SOAP DISPENSER PROFILE                           | PERFIL DOSIFICADOR                                      | PROFILE BACS A PRODUITS                                       |
| 40 | 160838 | WASHER 14X6X1,5                                  | ARANDELA 14X6X1.5 INOX                                  | RONDELLE 14X6X1,5   |
| 41 | 149351 | INOX A2 WASHER DIN 125 8,4                       | ARAN. DIN125 INOX A2 8,4                                | RONDELLE INOX A2 DIN 125 8,4                                  |
| 42 | 187393 | LOCKING HANDLE                                   | MANECILLA CIERRE  | POIGNEE FERMETURE   |
| 43 | 144436 | ALLEN SCREW DIN912 M8X45                         | TOR.ALL DIN912-8.8 B.TRI.M8X45                          | VIS ALLEN DIN912 M8X45  |
| 44 | 187401 | LOCKING HANDLE SPRING                            | MUELLE MANECILLA CIERRE                                 | RESSORT POIGNEE FERMETURE                                     |
| 45 | 257469 | HANDLE HOSE                                      | TUBO MANECILLA  | TUBE POIGNEE  |
| 46 | 144782 | INOX HEX SCREW DIN933 M 5X15                     | TOR.EX.DIN933INOX A2-70 M 5X15                          | VIS HEX INOX DIN933 M 5X15                                    |
| 47 | 145631 | INOX FLAT SCREW DIN85 M 4X15                     | TOR.PLA.DIN85 INOX A2-70 M4X16                          | VIS PLAT INOX DIN85 M 4X15 A2                                 |
| 48 | 256446 | SOAP DISPENSER BRACKET PIECE                     | PIEZA SOPORTE DOSIFICADOR                               | PIECE SUPPORT BAC A PRODUITS                                  |
| 49 | 176792 | INOX SELF-BLOCK.NUT DIN985 M 4                   | TUER.AUTOBL.DIN985 INOX M 4*                            | ECROU AUTOBLOC.INOX DIN985 M 4                                |
| 50 | 256370 | SOAP DISPENSER FIXING                            | FIJACION DOSIFICADOR                                    | FIXATION BAC A PRODUITS                                       |
| 51 | 150250 | BICR HEX.NUT DIN 934-8 M 14                      | TUER.EX.DIN934-8 B.TRI.M14                              | ECROU HEX.BICR DIN 934-8 M 14                                 |
| 52 | 149393 | BICR WASHER B DIN125-ST 15                       | ARAN.B DIN125-ST B.TRI.15                               | RONDELLE B BICR DIN125-ST 15                                  |
| 53 | 242883 | DISPENSER HOSE COUPLING                          | RACOR TUBO DOSIFICADOR                                  | RACCORD TUBE BAC A PRODUITS                                   |
| 54 | 164285 | SELFBLOCKING NUT DIN985 M-8                      | TUER.AUTOBL.DIN985-8 B.TRI.M8                           | ECROU AUTOBLOCANT DIN985 M-8                                  |
| 55 | 244467 | DISPENSER HOSE                                   | TUBO DOSIFICADOR  | TUBE BAC A PRODUITS   |
| 56 | 271916 | SOAP DISPENSER ROD PROTECTION                    | FUNDA VARILLA DOSIFICADOR                               | FOURREAU BAGUET.BAC A PRODUITS                                |
| 57 | 256545 | SOAP DISPENSER BAR                               | VARILLA DOSIFICADOR                                     | BAGUETTE BAC A PRODUITS                                       |
| 58 | 176826 | SELF-BLOCKING NUT DIN 985 M-5                    | TUER.AUTOBL.DIN985-8 B.TRI.M5                           | ECROU AUTOBLOCANT DIN 985 M-5                                 |
| 59 | 256404 | DISPENSER BOX SET<br>(PIN AND PROFILES INCLUDES) | CONJUNTO DOSIFICADORES<br>(INCLUYE VARILLA Y PERFILES ) | ENSEMBLE BOITE BAC A PRODUITS<br>BAGUETTE ET PROFILES COMPRIS |
| 60 | 194217 | OBTURATOR HOSE                                   | TUBO OBTURADOR  | TUBE OBTURATEUR   |
| 61 | 451609 | DRAIN BRACKET                                    | SOPORTE DESAGÜE   | SUPPORT VIDANGE   |
| 62 | 321000 | PRESSOSTAT BODY JOINTING                         | UNION CUERPO PRESOSTATO                                 | UNION CORPS PRESSOSTAT  |
| 63 | 144964 | INOX HEX SCREW DIN 933 M-8X16                    | TOR.EX.DIN933INOX A2-70 M 8X16                          | VIS HEX INOX DIN 933 M-8X16                                   |

| N° | REF    | DENOMINATION                   | DENOMINACIÓN                | DENOMINATION                   |
|----|--------|--------------------------------|-----------------------------|--------------------------------|
| 64 | 300442 | EXHAUST ELBOW                  | CODO SALIDA VAHOS           | COUDE SORTIE VAPEURS           |
| 65 | 199984 | SOAP DISPENSER COUNTERLID      | CONTRATAPA DOSIFICADORES    | CONTRECOUVERCLE BAC A PRODUITS |
| 66 | 140509 | CLAMP 2273-0                   | BRIDA UNEX 2273-0 *         | BRIDE 2273-0                   |
| 67 | 320382 | PRESSURE TRANSMITT INTAKE BODY | CUERPO TOMA PRESOSTATO      | CORPS PRISE PRESSOSTAT         |
| 68 | 149526 | BICR.WASHER B DIN125-ST 6,4    | ARAN.B DIN125-ST B.TRI. 6,4 | RONDELLE B DIN125-ST BICR.6,4  |
| 69 | 121962 | HEATER INLET LID               | CIERRE ENTRADA CALEFACTOR * | FERMETURE ENTREE RESISTANCE    |



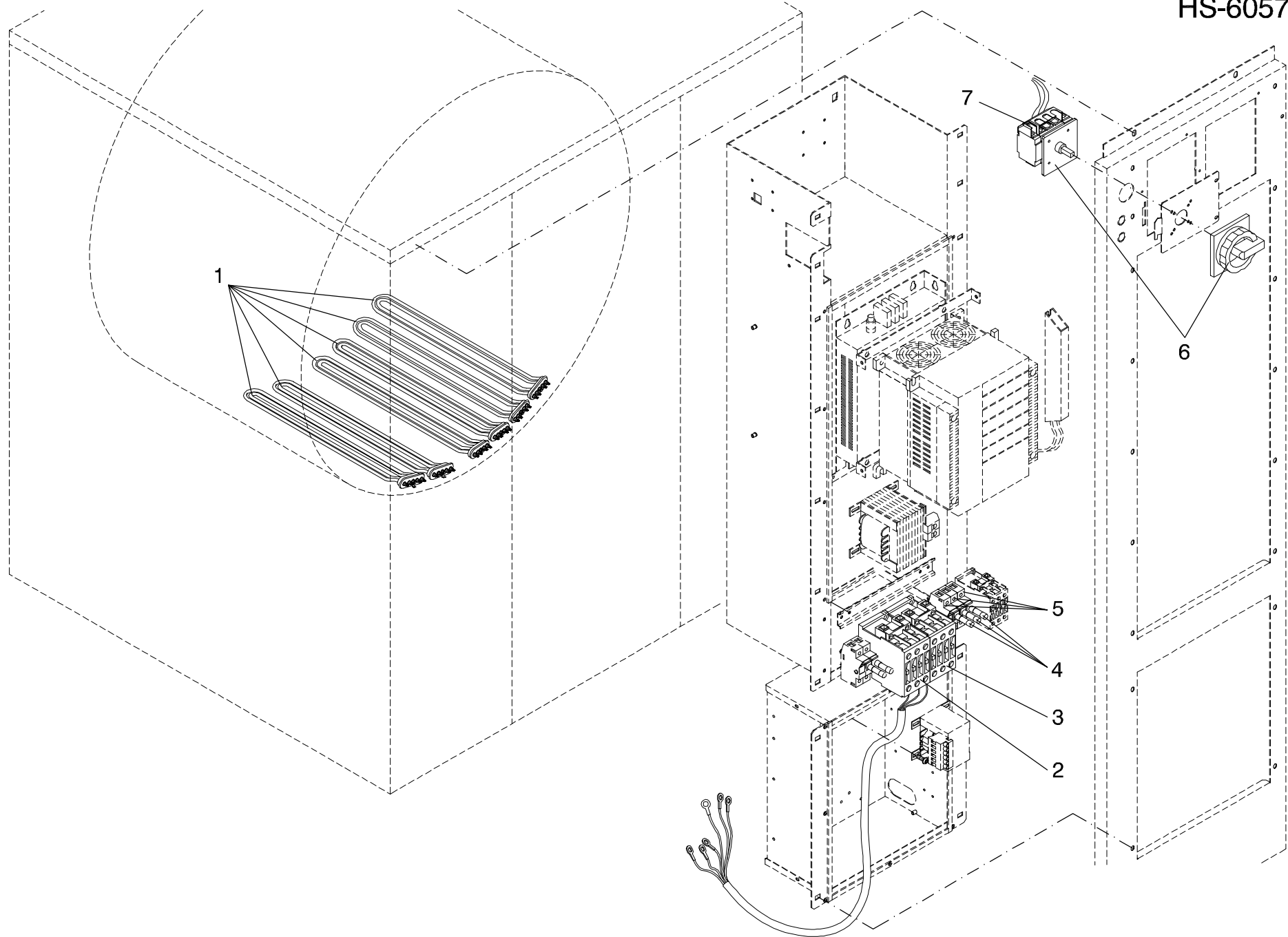




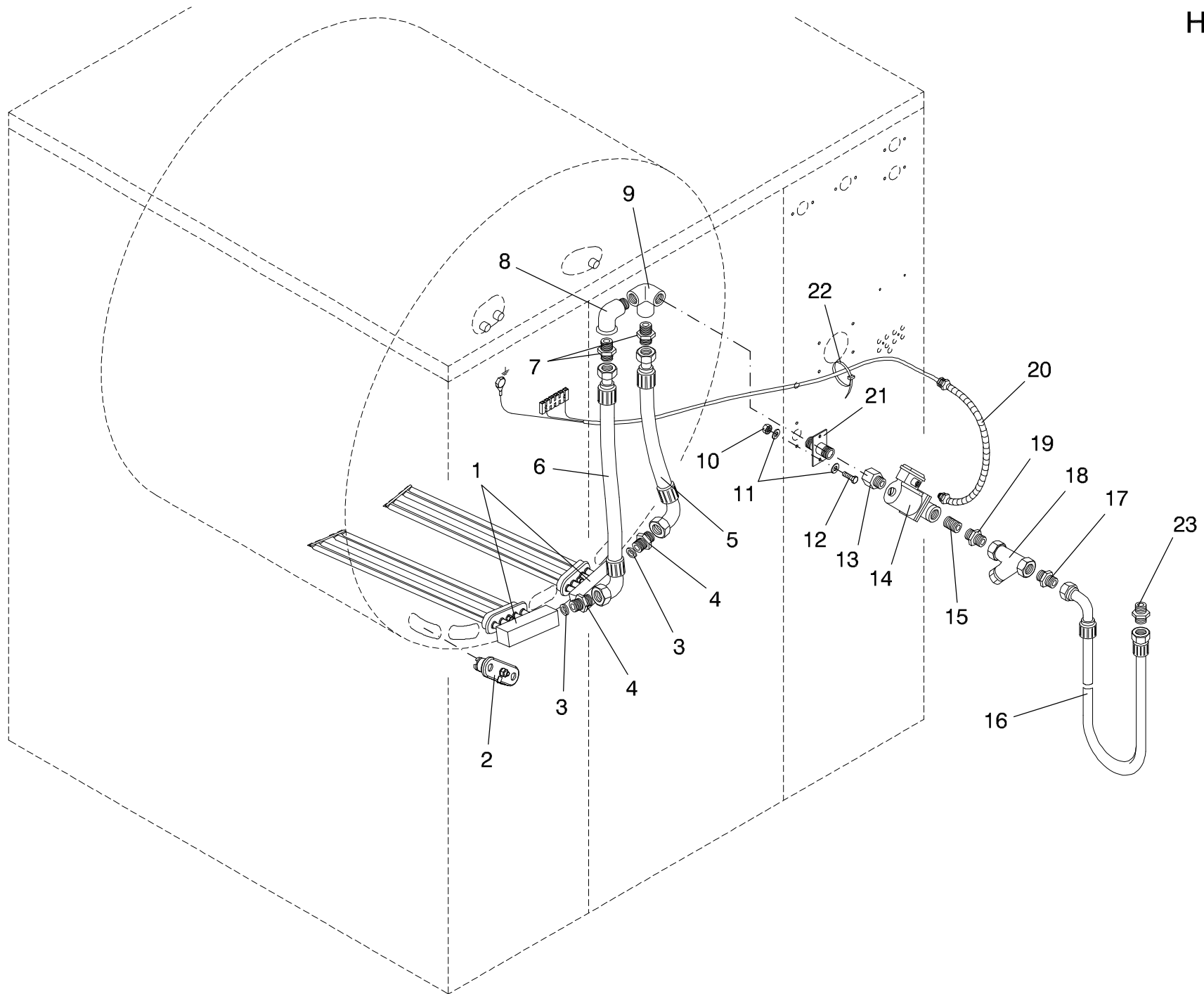
| N° | REF    | DENOMINATION                        | DENOMINACIÓN                        | DENOMINATION                        |
|----|--------|-------------------------------------|-------------------------------------|-------------------------------------|
| 1  | 352989 | VALV EV220A 22B G 1E NC000          | VALV EV220A 22B G 1E NC000          | VALV EV220A 22B G 1E NC000          |
|    | 503417 | SPARE PARTS KIT EV220A 042U1006     | KIT REPUES. EV220A 042U1006         | KIT RECHANGES EV220A 042U1006       |
| 2  | 333716 | COIL AB 5W 12V CC 042N0806          | BOBINA AB 5W 12V CC 042N0806        | BOBINE AB 5W 12V CC 042N0806        |
| 3  | 427112 | DOUBLE ELECTROV. 349 180° 12VCC*    | ELECTROV.DOUBLE 349 180° 12VCC*     | ELECTROV.DOUBLE 349 180° 12VCC*     |
|    | 332296 | COIL 255043000000 12VCC             | BOBINA 255043000000 12VCC           | BOBINE 255043000000 12VCC           |
|    | 300202 | INTEGRAL GUIDE-MEMBRANE 30696       | MEMBRANA-GUIA INTEGRAL 30696 *      | MEMBRANE-GUIDE INTEGRALE 30696      |
|    | 300194 | YELLOW CASE 30053                   | ESTUCHE AMARILLO 30053              | BOITE JAUNE 30053                   |
| 4  | 447045 | THREE TRACK ELECTROVALVE            | ELECTROVALVULA TRES VIAS            | ELECTROVANNE TROIS VOIES            |
|    | 332296 | COIL 255043000000 12VCC             | BOBINA 255043000000 12VCC           | BOBINE 255043000000 12VCC           |
|    | 300202 | INTEGRAL GUIDE-MEMBRANE 30696       | MEMBRANA-GUIA INTEGRAL 30696 *      | MEMBRANE-GUIDE INTEGRALE 30696      |
|    | 300194 | YELLOW CASE 30053                   | ESTUCHE AMARILLO 30053              | BOITE JAUNE 30053                   |
|    | 156257 | REGULATOR 8 L/MIN.RED               | REGULADOR DE 8 L/MIN. (ROJO)        | REGULATEUR 8 L/MIN ROUGE            |
| 5  | 214502 | ELECTROVALVE BRACKET                | SOPORTE ELECTROVALVULA              | SUPPORT ELECTROVANNE                |
| 6  | 129791 | FIG 280 1" GALV                     | FIGURA 280 DE 1" GALV.              | FIG 280 1" GALV                     |
| 7  | 129361 | FIG 2 1" GALV                       | FIGURA 2 DE 1" GALV.                | FIG 2 1" GALV                       |
| 8  | 129510 | FIG.92 1" GALV.                     | FIGURA 92 DE 1" GALV.               | FIG.92 1" GALV.                     |
| 9  | 166793 | WATER INLET NUT                     | TUERCA ENTRADA AGUA                 | ECROU ENTREE EAU                    |
| 10 | 128769 | T FIG 130 1"-1"-3/4" GALV           | FIGURA 130RED.DE 1-1-3/4"GALV.      | T FIG 130 1"-1"-3/4" GALV           |
| 11 | 146233 | BICR.HEX SCREW DIN933-8 M6X15       | TOR.EX.DIN933-8.8 B.TRI.M 6X15      | VIS HEX DIN933-8.8 BICR.M6X15       |
| 12 | 149526 | BICR.WASHER B DIN125-ST 6,4         | ARAN.B DIN125-ST B.TRI. 6,4         | RONDELLE B DIN125-ST BICR.6,4       |
| 13 | 150227 | BICR HEX NUT DIN934-8 M6            | TUER.EX.DIN934-8 B.TRI.M 6          | ECROU HEX DIN934-8 BICR.M6          |
| 14 | 149609 | CLAMP 301526-5 D25-40               | ABRAZADERA 25- 40 *                 | BRIDE 301526-5 D25-40               |
| 15 | 244921 | WATER INLET HOSE                    | TUBO ENTRADA AGUA                   | TUBE ENTREE EAU                     |
|    | 177931 | PRESCORD HOSE 6ATM.D25<br>(1 METER) | TUBO PRESCORD 6ATM.D25<br>(1 METRO) | TUBE PRESCORD 6ATM.D25<br>(1 METRE) |
| 16 | 149617 | CONICAL END PIECE R-16 D25          | TOPE CONICO REPRIMSA R-16 D25       | ARRET CONIQUE R-16 D25              |
| 17 | 133744 | THREADED BRASS FILTER 1"            | FILTRO LATON FLT ROSC. 1" 0,5       | FILTRE FILETE LAITON 1"             |
| 18 | 216382 | WATER INLET SLEEVE                  | MANGUITO ENTRADA AGUA               | MANCHON ENTREE EAU                  |

| N° | REF    | DENOMINATION  | DENOMINACIÓN  | DENOMINATION   |
|----|--------|---|---|--|
|    | 249516 | WATER INLET SLEEVE<br>(FOR USA AND CANADA ONLY)             | MANGUITO ENTRADA AGUA-VAPOR<br>(SOLO PARA USA Y CANADA)     | MANCHON ENTREE EAU<br>(SEULEMENT POUR USA ET CANADA)     |
| 19 | 216408 | GASKET<br>(EXCEPT FOR USA AND CANADA)                       | JUNTA D31XD20X2<br>(EXCEPTO PARA USA Y CANADA)              | JOINT<br>(SAUF POUR USA ET CANADA)                       |
| 20 | 164194 | WATER INLET HOSE RACCORDS 1"<br>(EXCEPT FOR USA AND CANADA) | TUBO EPDM 1"X1500 C.RACORES*<br>(EXCEPTO PARA USA Y CANADA) | TUBE ENTREE EAU RACCORDS 1"<br>(SAUF POUR USA ET CANADA) |
| 21 | 350371 | DISTRIBUTOR   | DISTRIBUIDOR  | DISTRIBUTEUR   |
| 22 | 357624 | CONICAL END-PECE R-16 D12                                   | TOPE CONICO REPRIMSA R-16 D12                               | BOUCHON CONIQUE R-16 D12                                 |
| 23 | 156679 | CONICAL END-PIECE R-16 D10                                  | TOPE CONICO REPRIMSA R-16 D10                               | BOUCHON CONIQUE R-16 D10                                 |
| 24 | 156687 | CONICAL END-PIECE R-16 D16                                  | TOPE CONICO REPRIMSA R-16 D16                               | ARRET CONIQUE R-16 D16                                   |
| 25 | 155150 | CLAMP 8-16  | ABRAZADERA 8- 16 *  | BRIDE 8-16   |
| 26 | 140509 | CLAMP 2273-0  | BRIDA UNEX 2273-0 *   | BRIDE 2273-0   |
| 27 | 411132 | WATER INLET HOSE  | TUBO ENTRADA AGUA   | TUBE ENTREE EAU  |
|    | 323469 | 1 METER HOSE PARIGI D10XD16<br>(1 METER)                    | 1 METRO TUBO PARIGI D10XD16<br>(1 METRO)                    | 1 METRE TUBE PARIGI D10XD16<br>(1 METRE)                 |
| 28 | 453712 | WATER INLET HOSE  | TUBO ENTRADA AGUA   | TUBE ENTREE EAU  |
|    | 323469 | 1 METER HOSE PARIGI D10XD16<br>(1 METER)                    | 1 METRO TUBO PARIGI D10XD16<br>(1 METRO)                    | 1 METRE TUBE PARIGI D10XD16<br>(1 METRE)                 |
| 29 | 453704 | WATER INLET HOSE  | TUBO ENTRADA AGUA   | TUBE ENTREE EAU  |
|    | 323469 | 1 METER HOSE PARIGI D10XD16<br>(1 METER)                    | 1 METRO TUBO PARIGI D10XD16<br>(1 METRO)                    | 1 METRE TUBE PARIGI D10XD16<br>(1 METRE)                 |
| 30 | 455287 | WATER INLET HOSE  | TUBO ENTRADA AGUA   | TUBE ENTREE EAU  |
|    | 323469 | 1 METER HOSE PARIGI D10XD16<br>(1 METER)                    | 1 METRO TUBO PARIGI D10XD16<br>(1 METRO)                    | 1 METRE TUBE PARIGI D10XD16<br>(1 METRE)                 |
| 31 | 411363 | WATER INLET HOSE  | TUBO ENTRADA AGUA   | TUBE ENTREE EAU  |
|    | 323469 | 1 METER HOSE PARIGI D10XD16<br>(1 METER)                    | 1 METRO TUBO PARIGI D10XD16<br>(1 METRO)                    | 1 METRE TUBE PARIGI D10XD16<br>(1 METRE)                 |
| 32 | 149534 | BICR.WASHER B DIN125-ST 5,3                                 | ARAN.B DIN125-ST BICR. 5,3                                  | RONDELLE B BICR.DIN125-ST 5,3                            |
| 33 | 146274 | BICR.HEX SCREW DIN933-8 M-5X10                              | TOR.EX.DIN933-8.8 B.TRI.M 5X10                              | VIS HEX.BICR.DIN933-8.8 M-5X10                           |
|    |        | THIRD WATER INLET KITS                                      | KITS TERCERA ENTRADA AGUA                                   | KITS TROISIEME ENTREE EAU                                |
|    | 793612 | THIRD WATER INLET KIT                                       | KIT TERCERA ENTRADA AGUA HS-6057                            | KIT TROISIEME ENTREE EAU                                 |





| N° | REF    | DENOMINATION   | DENOMINACIÓN   | DENOMINATION   |
|----|--------|--|--|--|
|    |        | ELECTRIC HEATING KITS  | KITS CALEFACCION ELECTRICA   | KITS CHAUFFAGE ELECTRIQUE  |
|    | 793711 | KIT E.H. 200-208-220-230V HS-6057  | KIT CAL.ELEC.200-208-220-230V HS-6057  | KIT CH.E. 200-208-220-230V HS-6057   |
|    | 793729 | KIT E.H. 240(208+240)V HS-6057   | KIT CAL.ELEC.240(208+240)V HS-6057   | KIT CH.E. 240(208+240)V HS-6057  |
|    | 793737 | KIT E.H. 380-400V HS-6057  | KIT CAL.ELEC.380-400V HS-6057  | KIT CH.E. 380-400V HS-6057   |
|    | 793745 | KIT E.H. 415V HS-6057  | KIT CAL.ELEC.415V HS-6057  | KIT CH.E. 415V HS-6057   |
| 1  | 321232 | HEATER 230V 5500W<br>(FOR 200V-208V-220V-230V-380V-400V)                           | CALEFACTOR 230V 5500W<br>(PARA 200V-208V-220V-230V-380V-400V)                          | RESISTANCE 230V 5500W<br>(POUR 200V-208V-220V-230V-380V-400V)                          |
|    | 321224 | HEATER 240V 5500W<br>(FOR (208+240)V-240V-415V)                                    | CALEFACTOR 240V 5500W<br>(PARA (20A8+240)V-240V-415V)                                  | RESISTANCE 240V 5500W<br>(POUR (208+240)V-240V-415V)                                   |
| 2  | 446831 | HEATING CONTACTOR WIRES<br>(CONTACTOR INCLUDED)<br>(FOR 380-400-415V)              | CABLES CONTACTOR CALEFACCION<br>(INCLUYE CONTACTOR)<br>(PARA 380V-400V-415V)           | CABLES CONTACTEUR CHAUFFAGE<br>(COMPRIS CONTACTEUR)<br>(POUR 380-400-415V)             |
|    | 321562 | CONTACTOR 3RT10 35-1LA2  | CONTACTOR 3RT10 35-1AL2  | CONTACTEUR 3RT10 35-1AL2   |
|    | 321240 | COIL 3RT1924-5AL21 230-50/60   | BOBINA 3RT1924-5AL21 230-50/60   | BOBINE 3RT1924-5AL21 230-50/60   |
| 3  | 446823 | HEATING CONTACTOR WIRES<br>(CONTACTOR INCLUDED)<br>(FOR 200V-208V-220V-230V-240V)  | CABLES CONTACTOR CALEFACCION<br>(INCLUYE CONTACTOR)<br>(PARA 200V-208V-220V-230V-240V) | CABLES CONTACTEUR CHAUFFAGE<br>(COMPRIS CONTACTEUR)<br>(POUR 200V-208V-220V-230V-240V) |
|    | 321562 | CONTACTOR 3RT10 35-1LA2  | CONTACTOR 3RT10 35-1AL2  | CONTACTEUR 3RT10 35-1AL2   |
|    | 321240 | COIL 3RT1924-5AL21 230-50/60   | BOBINA 3RT1924-5AL21 230-50/60   | BOBINE 3RT1924-5AL21 230-50/60   |
| 4  | 507996 | FUSE 10X38 UL-ATQ 30 A *<br>(FOR 200V-208V-220V-230V-240V)<br>(FOR (208+240)V)     | FUSIBLE 10X38 UL-ATQ 30 A *<br>(PARA 200V-208V-220V-230V-240V)<br>(PARA (208+240)V)    | FUSIBLE 10X38 UL-ATQ 30 A *<br>(POUR 200V-208V-220V-230V-240V)<br>(POUR (208+240)V)    |
|    | 307173 | FUSE GG 10X38 16A<br>(FOR 380-400-415V)  | FUSIBLE GG 10X38 16A G200750<br>(PARA 380V-400V-415V)                                  | FUSIBLE GG 10X38 16A<br>(POUR 380-400-415V)  |
| 5  | 306431 | FUSE HOLDER 32A 10X38  | PORTAFUSIBLES 32A 10X38 1P*  | PORTE-FUSIBLE 32A 10X38  |
| 6  | 321307 | PAQUET.SWITCH 3LD2 704-0TK53<br>(FOR 200V-208V-220V-230V-240V)<br>(FOR (208+240)V) | INTERRUP.PAQUET.3LD2 704-0TK53<br>(PARA 200V-208V-220V-230V-240V)<br>(PARA (208+240)V) | INTERRUP-PAQUET 3LD2 704-0TK53<br>(POUR 200V-208V-220V-230V-240V)<br>(POUR (208+240)V) |
|    | 344135 | IPAQUET SWITCH.3LD2 504-0TK53<br>(FOR 380-400-415V)                                | INTERRUP.PAQUET.3LD2 504-0TK53<br>(PARA 380V-400V-415V)                                | INTERRUP.PAQUET.3LD2 504-0TK53<br>(POUR 380-400-415V)                                  |
| 7  | 321315 | TERMINAL PE 3LD9280-28<br>(FOR 200V-208V-220V-230V-240V)<br>(FOR (208+240)V)       | BORNE PE 3LD9280-2B<br>(PARA 200V-208V-220V-230V-240V)<br>(PARA (208+240)V)            | BORNE PE 3LD9280-2B<br>(POUR 200V-208V-220V-230V-240V)<br>(POUR (208+240)V)            |
|    | 344150 | TERMINAL PE 3LD9250-2BA<br>(FOR 380-400-415V)                                      | BORNE PE 3LD9250-2BA<br>(PARA 380V-400V-415V)  | BORNE PE 3LD9250-2BA<br>(POUR 380-400-415V)  |

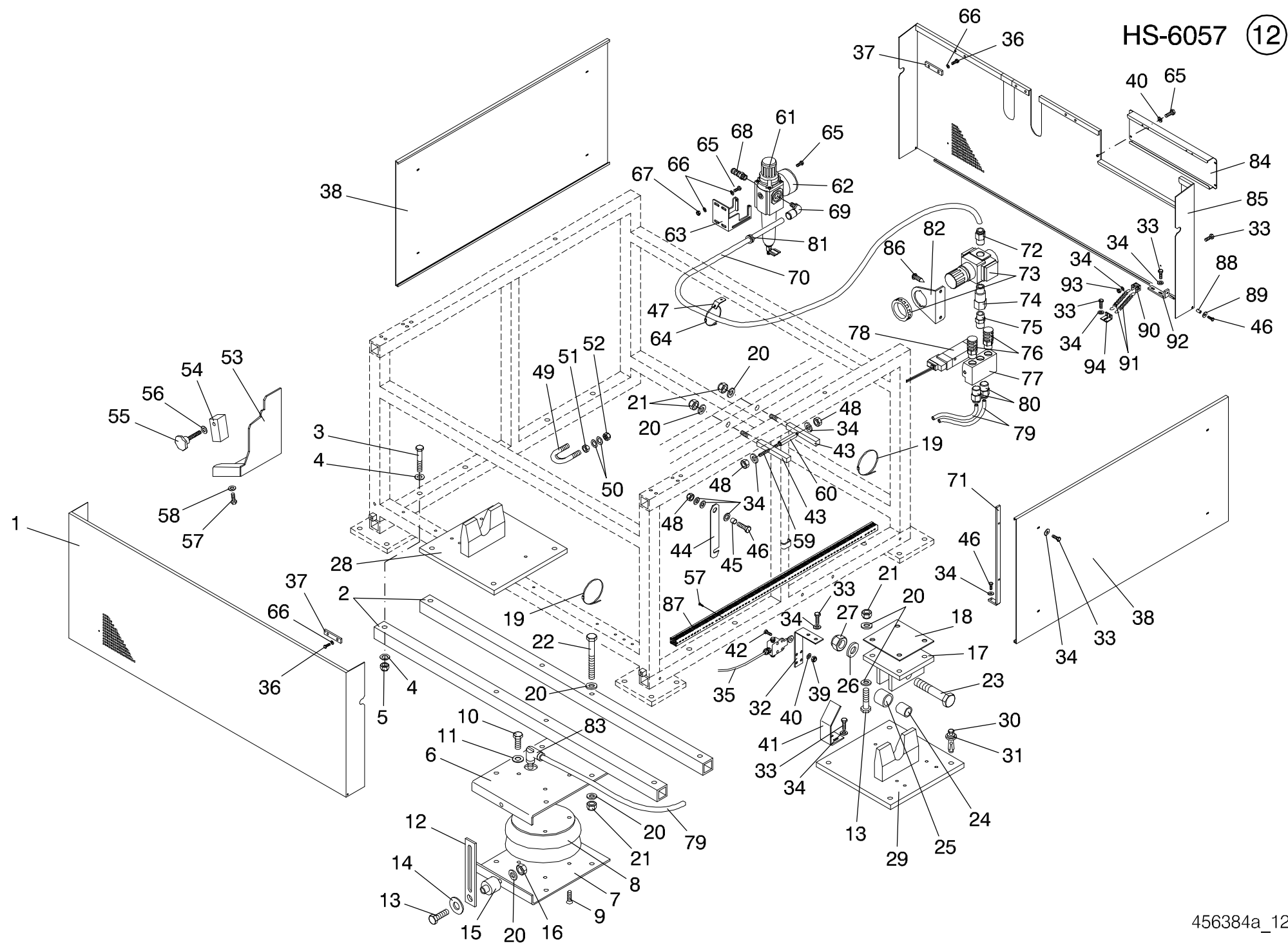




| Nº | REF    | DENOMINATION   | DENOMINACIÓN  | DENOMINATION   |
|----|--------|--|---|--|
|    |        | STEAM HEATING KITS   | KITS CALEFACCION VAPOR  | KITS CHAUFFAGE VAPEUR  |
|    | 793810 | STEAM KIT 50Hz HS-6057   | KIT CAL.VAPOR 50Hz HS-6057  | KIT CHAUF.VAP. 50Hz HS-6057  |
|    | 793828 | STEAM KIT 60Hz HS-6057   | KIT CAL.VAPOR 60Hz HS-6057  | KIT CHAUF.VAP. 60Hz HS-6057  |
|    | 793851 | STEAM KIT 50Hz HS-6057 TILT  | KIT CAL.VAPOR 50Hz HS-6057 TILT                                       | KIT CHAUF.VAP. 50Hz HS-6057 TILT                                   |
|    | 793869 | STEAM KIT 60Hz HS-6057 TILT  | KIT CAL.VAPOR 60Hz HS-6057 TILT                                       | KIT CHAUF.VAP. 60Hz HS-6057 TILT                                   |
| 1  | 214916 | STEAM DISTRIBUTOR  | DISTRIBUIDOR VAPOR  | DISTRIBUTEUR VAPEUR  |
| 2  | 121962 | HEATER INLET LID   | CIERRE ENTRADA CALEFACTOR *   | FERMETURE ENTREE RESISTANCE  |
| 3  | 109777 | COPPER GASKET 1/2"   | 12504 JUNTA COBRE 1/2"  | JOINT CUIVRE 1,2"  |
| 4  | 217745 | STEAM INLET RACCORD  | RACOR ENTRADA VAPOR   | RACCORD ENTREE VAPEUR  |
| 5  | 175018 | STEAM INLET JOINTING   | UNION ENTRADA VAPOR   | UNION ENTREE VAPEUR  |
| 6  | 504563 | STEAM INLET JOINTING   | UNION ENTRADA VAPOR   | UNION ENTREE VAPEUR  |
| 7  | 176479 | COUPLING SCREW 3/4"  | 10904 TORNILLO UNION MM3/4"   | VIS UNION 3/4"   |
| 8  | 129502 | ELBOW FIG. 92 3/4" GALV.   | FIGURA 92 DE 3/4" GALV.   | COUDE FIG. 92 3/4" GALV.   |
| 9  | 176461 | FIG. 221 3/4" GALV.  | FIGURA 221 DE 3/4" GALV.  | FIG. 221 3/4" GALV.  |
| 10 | 150227 | BICR HEX NUT DIN934-8 M6   | TUER.EX.DIN934-8 B.TRI.M 6  | ECROU HEX DIN934-8 BICR.M6   |
| 11 | 149526 | BICR.WASHER B DIN125-ST 6,4  | ARAN.B DIN125-ST B.TRI. 6,4   | RONDELLE B DIN125-ST BICR.6,4                                      |
| 12 | 146233 | BICR.HEX SCREW DIN933-8 M6X15  | TOR.EX.DIN933-8.8 B.TRI.M 6X15  | VIS HEX DIN933-8.8 BICR.M6X15                                      |
| 13 | 431817 | SLEEVE MALE-FEMALE<br>(FOR 60 HZ)                                    | MANGUITO MACHO-HEMBRA<br>(PARA 60 HZ)                                 | MANCHON MALE-FEMALE<br>(POUR 60 HZ)                                |
| 14 | 319566 | ELECTR-032U3006/84 3/4" 220/50<br>(FOR 50 HZ)<br>(COIL INCLUDED)     | ELECT.032U3006/84 3/4" 220/50*<br>(PARA 50 HZ)<br>(INCLUYE BOBINA)    | ELECTR-032U3006/84 3/4" 220/50<br>(POUR 50 HZ)<br>(COMPRIS BOBINE) |
|    | 159806 | COIL 32K7771 220/50<br>(FOR 50 HZ)                                   | BOBINA DANFOSS 32K7771 220/50<br>(PARA 50 HZ)                         | BOBINE 32K7771 220/50<br>(POUR 50 HZ)                              |
|    | 318071 | SPARE KIT EVSIS 20 032U3173  | KIT REPUES.EVSIS 20 032U3173  | KIT RECHANGE EVSIS 20 032U3173                                     |
|    | 343814 | VALVE BODY EVSIS20NPT 032U3693<br>(FOR 60 HZ)<br>(COIL NOT INCLUDED) | CUERPO VAL.EVSIS20NPT 032U3693<br>(PARA 60 HZ)<br>(NO INCLUYE BOBINA) | CORPS VANNE EVSIS20NPT<br>(POUR 60 HZ)<br>(NON COMPRIS BOBINE)     |
|    | 405415 | COIL 240V 60HZ<br>(FOR 60 HZ)  | BOBINA 240V.60HZ.<br>(PARA 60 HZ)                                     | BOBINE 240V 60HZ<br>(POUR 60 HZ)                                   |
|    | 318071 | SPARE KIT EVSIS 20 032U3173  | KIT REPUES.EVSIS 20 032U3173  | KIT RECHANGE EVSIS 20 032U3173                                     |

| Nº | REF    | DENOMINATION   | DENOMINACIÓN   | DENOMINATION  |
|----|--------|--|--|---|
| 15 | 130005 | INNER SLEEVE FIG.531 3/4" GALV<br>(FOR 50 HZ)                            | FIGURA 531 DE 3/4" GALV.<br>(PARA 50 HZ)                                   | MANCHON INTERIEUR FIG.531 3/4"<br>(POUR 50 HZ)                                      |
| 16 | 306142 | STEAM INLET JOINTING<br>(WITH TILTING)                                   | UNION ENTRADA VAPOR<br>(CON VOLQUETE)                                      | UNION ENTREE VAPEUR<br>(AVEC SOCLE BASCULANT)                                       |
| 17 | 176479 | COUPLING SCREW 3/4"<br>(WITH TILTING)                                    | 10904 TORNILLO UNION MM3/4"<br>(CON VOLQUETE)                              | VIS UNION 3/4"<br>(AVEC SOCLE BASCULANT)  |
|    | 249508 | STEAM INLET SLEEVE<br>(FOR USA AND CANADA ONLY)                          | MANGUITO ENTRADA VAPOR<br>(SOLO PARA USA Y CANADA)                         | MANCHON ENTREE VAPEUR<br>(SEULEMENT POUR USA ET CANADA)                             |
| 18 | 133736 | SCREWED FILTER 3/4" 0,3 PN16   | FILTRO COLAD. ROSC.3/4"0'3PN16   | FILTRE FILETE 3/4" 0,3 PN16   |
| 19 | 431833 | SLEEVE DOUBLE MALE 3/4"<br>(FOR 60 HZ)                                   | MANGUITO DOBLE MACHO 3/4"<br>(PARA 60 HZ)                                  | MANCHON DOUBLE MALE 3/4"<br>(POUR 60 HZ)  |
| 20 | 446658 | STEAM ELEC.INST.   | INST. ELEC. VAPOR  | INST. ELEC. VAPEUR  |
| 21 | 244632 | STEAM INLET  | ENTRADA VAPOR  | ENTREE VAPEUR   |
| 22 | 140434 | CLAMP 2221   | BRIDA UNEX 2221 *  | BRIDE 2221  |
| 23 | 176479 | COUPLING SCREW 3/4"<br>(WITH TILTING)                                    | 10904 TORNILLO UNION MM3/4"<br>(CON VOLQUETE)                              | VIS UNION 3/4"<br>(AVEC SOCLE BASCULANT)  |
|    | 291336 | STEAM INLET JOINING SCREW<br>(WITH TILTING)<br>(FOR USA AND CANADA ONLY) | TORNILLO UNION ENTRADA VAPOR<br>(CON VOLQUETE)<br>(SOLO PARA USA Y CANADA) | VIS UNION ENTREE VAPEUR<br>(AVEC SOCLE BASCULANT)<br>(SEULEMENT POUR USA ET CANADA) |





| Nº | REF    | DENOMINATION                   | DENOMINACIÓN                   | DENOMINATION                   |
|----|--------|--------------------------------|--------------------------------|--------------------------------|
| 1  | 445742 | FRONT PROTECTION COVER         | TAPA PROTECCION ANTERIOR       | COUVERCLE PROTECTION AVANT     |
| 2  | 287631 | ACTUATOR BEAM                  | VIGA ACTUADOR                  | POUTRE AGISSEMENT              |
| 3  | 305433 | BICR.HEX.SCREW DIN931-8 M12X90 | TOR.EX.DIN931-8.8B.TRI.M12X 90 | VIS.HEX.DIN931-8.8 BICR.M12X90 |
| 4  | 149419 | BICR.WASHER B DIN125-ST 13     | ARAN.B DIN125-ST B.TRI.13      | RONDELLE B DIN125-ST BICR.13   |
| 5  | 150656 | SELFBLOCKING NUT DIN985 M-12   | TUER.AUTOB.DIN985-8 B.TRI.M12  | ECROU AUTOBLOCANT DIN985 M-12  |
| 6  | 293019 | ACTUATOR BRACKET               | MENSULA ACTUADOR               | SUPPORT ACTUATEUR              |
| 7  | 293027 | ACTUATOR BRACKET               | MENSULA ACTUADOR               | SUPPORT ACTUATEUR              |
| 8  | 305425 | PNEUMATIC DRIVE MOD.22         | ACCIONADOR NEUMATICO MOD.22 *  | ACTIONNEMENT PNEUMATIQUE MOD22 |
| 9  | 175653 | ALLEN SCREW 10.9 DIN7991M-8X25 | TOR.AV.ALL.10.9 DIN7991M 8X 25 | VIS ALLEN DIN 7991 10.9M-8X25  |
| 10 | 192849 | BIC.HEX SCREW DIN933-8 M-8X25  | TOR.EX.DIN933-8.8 B.TRI.M 8X25 | VIS HEX.DIN933-8,8 BICR.M-8X25 |
| 11 | 149518 | BICR.WASHER B DIN125-ST 8,4    | ARAN.B DIN125-ST B.TRI. 8,4    | RONDELLE.B DIN125-ST BICR.8,4  |
| 12 | 293050 | ACTUATOR COURSE LIMITATOR      | LIMITADOR CARRERA ACTUADOR     | LIMITATUER COURSE ACTUATEUR    |
| 13 | 176172 | HEX SCREW 8G DIN 933 M-14X55   | TOR.EX.DIN933-8.8 B.TRI.M14X55 | VIS HEX. 8G DIN 933 M-14X55    |
| 14 | 219071 | WASHER 40X15X5                 | ARANDELA 40X15X5 TRIVALEN.     | RONDELLE 40X15X5               |
| 15 | 293126 | END PIECE COURSE LIMITATOR     | TOPE LIMITADOR CARRERA         | ARRET LIMITATEUR COURSE        |
| 16 | 150342 | BICR.HEX.NUT REB.DIN934-8 M 14 | TUER.EX.RB.DIN936-8 B.TRI.M14  | ECROU HEX.REB DIN936-8 BIC.M14 |
| 17 | 257865 | TILTING HINGE                  | CHARNELA BASCULANTE            | CHARNIERE BASCULANT            |
| 18 | 259614 | HOLDING-DOWN SUPPLEMENT        | SUPLEMENTO ANCLAJE             | SUPPLEMENT SCELLEMENT          |
| 19 | 140509 | CLAMP 2273-0                   | BRIDA UNEX 2273-0 *            | BRIDE 2273-0                   |
| 20 | 149393 | BICR WASHER B DIN125-ST 15     | ARAN.B DIN125-ST B.TRI.15      | RONDELLE B BICR DIN125-ST 15   |
| 21 | 164350 | SELFBLOCKING NUT DIN-985 M-14  | TUER.AUTOB.DIN985-8 B.TRI.M14  | ECROU AUTOBLOCANT DIN985 M-14  |
| 22 | 147033 | BIC.HEX SCREW DIN931-8 M14X130 | TOR.EX.DIN931-88 B.TRI.M14X130 | VIS HEX BICR DIN931-8 M14X130  |
| 23 | 146993 | BIC.HEX SCREW DIN931-8 M20X100 | TOR.EX.DIN931-88 B.TRI.M20X100 | VIS HEX DIN931-8 BICR.M20X100  |
| 24 | 257873 | ARTICULATION SLEEVE            | CASQUILLO ARTICULACION         | FRETTE ARTICULATION            |
| 25 | 187245 | SELFOIL SLEEVE B11A40-50-40    | COJ. SELFOIL B11A40-50-40      | FRETTE SELFOIL B11A40-50-40    |
| 26 | 149427 | BICR WASHER B DIN125-ST 21     | ARAN.B DIN125-ST B.TRI.21      | RONDELLE B BICR.DIN125-ST 21   |
| 27 | 186866 | SELF-BLOCKING NUT DIN985 M20   | TUER.AUTOBL.DIN985-8B.TRI.M20  | ECROU AUTOBLOCANT DIN985 M20   |
| 28 | 283184 | HOLDING-DOWN PIECE             | HORQUILLA ANCLAJE              | PIECE SCELLEMENT               |

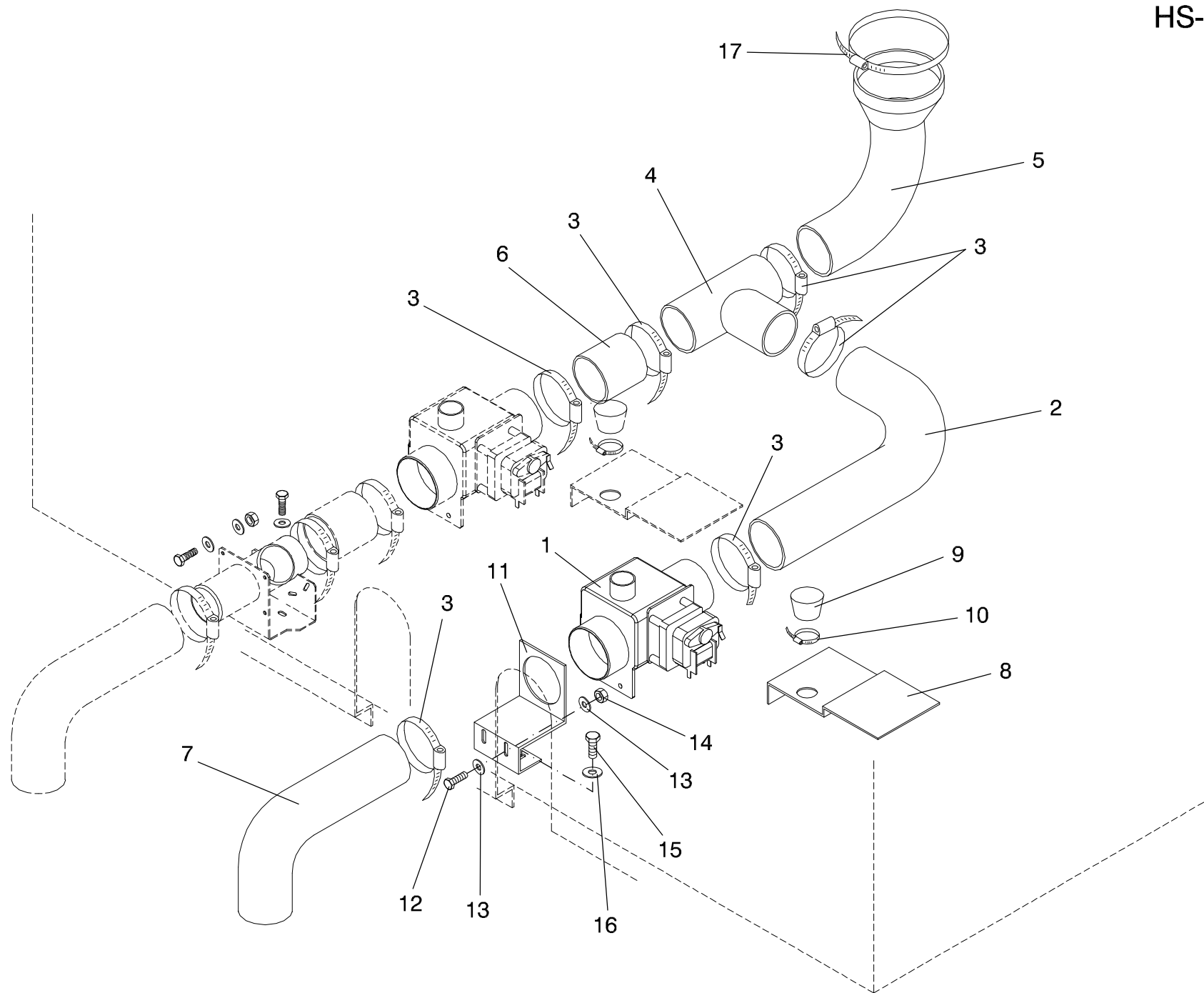
| Nº | REF    | DENOMINATION                                | DENOMINACIÓN                               | DENOMINATION                                |
|----|--------|---|--|---|
| 29 | 283242 | HOLDING-DOWN PIECE                          | HORQUILLA ANCLAJE                          | PIECE SCELLEMENT                            |
| 30 | 189746 | METALLIC END PIECE REIDO T-17               | TACO METALICO REIDO T-17                   | ARRET METALLIQUE REIDO T-17                 |
| 31 | 110726 | WASHER                                      | ARANDELA 34X13X4 TRIVALEN.                 | RONDELLE                                    |
| 32 | 283044 | END OF COURSE BRACKET                       | SOPORTE FINAL DE CARRERA                   | SUPPORT FIN DE COURSE                       |
| 33 | 146233 | BICR.HEX SCREW DIN933-8 M6X15               | TOR.EX.DIN933-8.8 B.TRI.M 6X15             | VIS HEX DIN933-8.8 BICR.M6X15               |
| 34 | 149526 | BICR.WASHER B DIN125-ST 6,4                 | ARAN.B DIN125-ST B.TRI. 6,4                | RONDELLE B DIN125-ST BICR.6,4               |
| 35 | 456640 | ELEC.INST. TILT                             | INST. ELEC. TILT                           | INST. ELEC. TILT                            |
|    | 327304 | END OF COURSE M4VH 355-20ZM20               | FINAL CARRERA M4VH 355-20ZM20*             | FIN DE COURSE M4VH 355-20ZM20               |
|    | 456673 | DISTRIBUTOR REF.TSD-171717G                 | DISTRIBUIDOR REF.TSD-171717G               | DISTRIBUTEUR REF.TSD-171717G                |
|    | 456665 | RACCORD M20 REF.MIR-17M20G                  | RACOR M20 REF.MIR-17M20G                   | RACCORD M20 REF.MIR-17M20G                  |
|    | 330324 | NYLOFIX HOSE DIN17 REF.AGT-17G<br>(1 METER) | TUBO NYLOFIX DN17 REF.AGT-17G<br>(1 METRO) | TUBE NYLOFIX DIN17 REF.AGT-17G<br>(1 METRE) |
| 36 | 146241 | BICR.HEX SCREW DIN933-8.8 M4X6              | TOR.EX.DIN933-4.8 B.TRI.M 4X 6             | VIS HEX DIN933-8.8 BICR M 4X 6              |
| 37 | 289397 | COVERS SEPARATOR                            | SEPARADOR TAPAS                            | SEPARATEUR COUVERCLES                       |
| 38 | 287623 | SIDE PROTECTION COVER                       | TAPA PROTECCION LATERAL                    | COUVERCLE PROTECTION LATERAL                |
| 39 | 176826 | SELF-BLOCKING NUT DIN 985 M-5               | TUER.AUTOBL.DIN985-8 B.TRI.M5              | ECROU AUTOBLOCANT DIN 985 M-5               |
| 40 | 149534 | BICR.WASHER B DIN125-ST 5,3                 | ARAN.B DIN125-ST BICR. 5,3                 | RONDELLE B BICR.DIN125-ST 5,3               |
| 41 | 283069 | END OF COURSE DRIVE                         | ACCIONADOR FINAL DE CARRERA                | ACCIONNEMENT FIN DE COURSE                  |
| 42 | 145748 | SCREW DIN85 INOX A2-70 M 5X 40              | TOR.PLA.DIN85 INOX A2-70 M5X45             | VIS P DIN85 INOX A2-70 M 5X 40              |
| 43 | 512947 | SUSPENDEED SET END-PIECE                    | TOPE GRUPO FLOTANTE                        | ARRET GROUPE SUSPENDU                       |
| 44 | 258228 | DOOR HOOK                                   | GANCHO ESCOTILLA                           | CROCHET HUBLLOT                             |
| 45 | 189696 | SELFOIL SLEEVE B11A 6-10-5                  | COJ. SELFOIL B11A 6-10- 5                  | FRETTE SELFOIL B11A 6-10-5                  |
| 46 | 146316 | BICR.HEX SCREW DIN933-8 M-6X20              | TOR.EX.DIN933-8.8 B.TRI.M 6X20             | VIX HEX BICR.DIN933-8.8 M-6X20              |
| 47 | 454827 | PNEUMATIC HOSE FIXING PLATE                 | CHAPA FIJACION TUBO NEUMATICO              | PLAQUE FIXATION TUBE PNEUMATIQUE            |
| 48 | 176834 | SELFBLOCKING NUT DIN985 M-6                 | TUER.AUTOBL.DIN985-8 B.TRI.M6              | ECROU AUTOBLOCANT DIN985 M-6                |
| 49 | 258210 | DOOR HOOK FIXING                            | SUJECCION GANCHO ESCOTILLA                 | FIXATION CROCHET HUBLLOT                    |
| 50 | 149328 | INOX A2 WASHER DIN 125 4,3                  | ARAN. DIN125 INOX A2 4,3                   | RONDELLE INOX A2 DIN 125 4,3                |
| 51 | 149922 | INOX HEX. NUT DIN 934 M-4                   | TUER.EX.DIN934 INOX A2-70 M 4              | ECROU HEX. INOX DIN 934 M-4                 |
| 52 | 176792 | INOX SELF-BLOCK.NUT DIN985 M 4              | TUER.AUTOBL.DIN985 INOX M 4*               | ECROU AUTOBLOC.INOX DIN985 M 4              |

| Nº | REF    | DENOMINATION                                   | DENOMINACIÓN                                | DENOMINATION                                   |
|----|--------|--|---|--|
| 53 | 284950 | KNOB PROTECTION                                | PROTECCION EMPUÑADURA                       | PROTECTION POIGNEE                             |
| 54 | 288043 | KNOB PROTECTION PIECE                          | PIEZA PROTECCION EMPUÑADURA                 | PIECE PROTECTION POIGNEE                       |
| 55 | 304394 | KNOB 1126.E DIN 6336.D                         | POMO 1126.E DIN 6336.D M8X47                | POIGNEE 1126.E DIN 6336.D                      |
| 56 | 149351 | INOX A2 WASHER DIN 125 8,4                     | ARAN. DIN125 INOX A2 8,4                    | RONDELLE INOX A2 DIN 125 8,4                   |
| 57 | 144774 | INOX HEX SCREW DIN 933 M-5X10                  | TOR.EX.DIN933INOX A2-70 M 5X10              | VIS HEX INOX DIN 933 M-5X10                    |
| 58 | 149369 | INOX A2 WASHER DIN 125 5,3                     | ARAN. DIN125 INOX A2 5,3                    | RONDELLE INOX A2 DIN 125 5,3                   |
| 59 | 512954 | THREADED PIN                                   | VARILLA ROSCADA                             | BAGUETTE FILETEE                               |
| 60 | 513028 | SEPARATOR                                      | SEPARADOR                                   | SEPARATEUR                                     |
| 61 | 307371 | REG.FILTER B72G-2GK-QT3-RMN                    | FILTRO/REGUL.B72G-2GK-QT3-RMN               | FILTRE/REG.B72G-2GK-QT3-RMN                    |
| 62 | 186593 | MANOMETER 3-50/10/A                            | MANOMETRO 3-50/10/A                         | MANOMETRE 3-50/10/A                            |
| 63 | 307389 | STD AY-4224-50 BRACKET                         | SOPORTE STANDARD AY-4224-50                 | SUPPORT STD AY-4224-50                         |
| 64 | 140525 | CLAMP 2244-0                                   | BRIDA UNEX 2244-0 *                         | BRIDE 2244-0                                   |
| 65 | 146258 | BIC.HEX SCREW DIN933-4.8 M4X10                 | TOR.EX.DIN933-4.8 B.TRI.M 4X10              | VIS HEX DIN933-4.8 BICR.M 4X10                 |
| 66 | 149476 | BICR.WASHER B DIN125-ST 4,3                    | ARAN.B DIN125-ST B.TRI. 4,3                 | RONDELLE B DIN125-ST BICR.4,3                  |
| 67 | 150185 | BICR.HEX.NUT DIN934-8 M4                       | TUER.EX.DIN934-8 B.TRI.M 4                  | ECROU HEX.DIN934-8 BICR.M4                     |
| 68 | 186619 | SLEEVE 1/4" REF. 1231013                       | ESPIGA ROSCADA 1/4"REF.1231013              | MANCHON 1/4" REF. 1231013                      |
| 69 | 186627 | ELBOW CONNECTION RE.3109.10.13                 | CONEXION CODO REF.3109.10.13                | CONNEXION COUDE REF.3109.10.13                 |
| 70 | 359760 | POLYURETANE HOSE D10X6.5 TU1065BU<br>(1 METER) | TUBO POLIURET.D10X6.5 TU1065BU<br>(1 METRO) | TUBE POLYURETANE D10X6.5 TU1065BU<br>(1 METRE) |
| 71 | 283093 | SIDE PANEL BRACKET                             | SOPORTE TAPAS LATERALES                     | SUPPORT COUVERCLE LATERAL                      |
| 72 | 334326 | RACCORD IN REC D10 1/4                         | RACOR EN REC D10 1/4 31751013               | RACCORD EN REC D10 1/4                         |
| 73 | 359703 | PRESSURE REGULATOR AR20-F02H                   | REGULADOR PRESION AR20-F02H                 | REGULATEUR DE PRESSION AR20-F02H               |
| 74 | 359695 | EXTENSION 1/4 2525-1/4-27                      | ALARGADERA 1/4 2525-1/4-27                  | EXTENSION 1/4 2525-1/4-27                      |
| 75 | 359679 | STRAIGHT UNION 1/4 2500 1/4                    | UNION RECTA 1/4 2500 1/4                    | UNION DROITE 1/4 2500 1/4                      |
| 76 | 359687 | SILENCER AN203-02                              | SILENCIADOR AN203-02                        | SILENCIEUX AN203-02                            |
| 77 | 359661 | BASE PLATE SY5000-27-1F-Q                      | PLACA BASE SY5000-27-1F-Q                   | PLAQUE BASE SY5000-27-1F-Q                     |
| 78 | 359596 | E.V N/C DOUBLE 12DC SV2A00-6W3A                | E.V N/C DOBLE 12DC SV2A00-6W3A              | E.V N/C DOUBLE 12DC SV2A00-6W3A                |
| 79 | 359752 | POLYURETANE HOSE D6X4 TU0604BU                 | TUBO POLIURETANO D6X4 TU0604BU              | TUBE POLYURETANE D6X4 TU0604BU                 |
| 80 | 359588 | RACCORD IN REC D6 1/4 KQ2H06-02S               | RACOR EN REC D6 1/4 KQ2H06-02S              | RACCORD EN REC D6 1/4 KQ2H06-02S               |

| N° | REF    | DENOMINATION                   | DENOMINACIÓN                   | DENOMINATION                   |
|----|--------|--------------------------------|--------------------------------|--------------------------------|
| 81 | 157198 | THERMOSTAT SHEATH LODGING      | PASAMUROS TERMOSTATO *         | LOGEMENT THERMOSTAT            |
| 82 | 454710 | PRESSURE ADJUSTING SQUARE      | ESCUADRA REGULADOR PRESION     | EQUERRE REGLAGE PRESSION       |
| 83 | 359786 | ELBOW RACCORD D6 1/4" 31290613 | RACOR CODO EL D6 1/4" 31290613 | RACCORD COUDE D6 1/4" 31290613 |
| 84 | 455196 | REAR PROTECTION COVER          | TAPA PROTECCION POSTERIOR      | COUVERCLE PROTECTION ARRIERE   |
| 85 | 455212 | REAR PROTECTION COVER          | TAPA PROTECCION POSTERIOR      | COUVERCLE PROTECTION ARRIERE   |
| 86 | 183400 | CYL.PLATE SCREW ST-4 20 C/AL   | TOR.CHAPA ST-4 20 C/AL.T25 *   | VIS PLAQUE CYL.ST-4 20 C/AL    |
| 87 | 456632 | WIRETHROUGH CHANNEL            | CANAL PASACABLES               | CHANNEL PASSECABLES            |
| 88 | 276527 | LOCK END-PIECE                 | TOPE CIERRE                    | ARRET FERMETURE                |
| 89 | 115758 | WASHER 20X7X2                  | ARANDELA 20X7X2 INOX           | RONDELLE 20X7X2                |
| 90 | 283085 | SPRING FIXING-PIECE            | FIJACION MUELLE                | FIXATION RESSORT               |
| 91 | 177329 | FINGER PROTECTION SPRING       | MUELLE GUARDAMANOS             | RESSORTS PROTECTION DOIGTS     |
| 92 | 283127 | PANEL HINGE                    | CHARNELA TAPA                  | CHARNIERE COUVERCLE            |
| 93 | 150227 | BICR HEX NUT DIN934-8 M6       | TUER.EX.DIN934-8 B.TRI.M 6     | ECROU HEX DIN934-8 BICR.M6     |
| 94 | 289116 | SPRING FIXING                  | FIJACION MUELLE                | FIXATION RESSORT               |







| Nº | REF    | DENOMINATION                                 | DENOMINACIÓN  | DENOMINATION  |
|----|--------|--|---|---|
| 1  | 163238 | DRAIN (NORMALLY CLOSED)<br>(NORMALLY CLOSED) | DESAGUE(CERRADO A F.DE CORR.)*<br>(NORMALMENTE CERRADO) | VIDANGE (NORMALEMENT FERMEE)<br>(NORMALEMENT FERMÉ) |
|    | 159764 | MOTOR AND GEAR-BOX RE. 453R                  | MOTOR-REDUCTOR 453R 0,24AMP. *                          | MOTEUR ET REDUCTEUR REF. 453R                       |
|    | 159731 | OPERATING SPRING RE.408L                     | MUELLE ACCIONAMIENTO REF.408L                           | RESSORT ACTIONNEMENT REF. 408L                      |
|    | 163394 | TIGHTNESS SEAL RE. 311VP                     | RETEN ESTANQUEIDAD REF.VP311 *                          | RESERVE ETACHEITE REF. 311VP                        |
|    | 166561 | DRAIN BODY RE. 711-SO 3"                     | CUERPO DESAGÜE REF.711-SO 3" *                          | CORPS VIDANGE REF. 711-SO 3"                        |
|    | 166553 | MOTOR FIXING PLATE REF. 304Z                 | PLACA FIJACION MOTOR REF.304Z                           | PLAQUE FIXATION MOTEUR 304Z                         |
|    | 166611 | MOTOR FIXING PLATE SCREW                     | TORNILLO PLACA FIJAC.REF.306                            | VIS PLAQUE FIXATION MOTEUR                          |
|    | 166595 | MOTOR PLATE FIXING SCREW 320C                | TORNILLO FIJACION REF.320C                              | VIS FIXATION 320C                                   |
|    | 166603 | CYL PLATE SCREW DIN7971 8X2"                 | TOR.CHAPA CILI.DIN7971 8X2"                             | VIS PLAQUE CYL DIN7971 8X2"                         |
|    | 166579 | OPERATING SHAFT 813C                         | EJE ACCIONAMIENTO REF.813C                              | AXE ACTIONNEMENT 813C                               |
|    | 166629 | OPERATIN SHAFT WASHER 823                    | ARANDELA EJE ACCIONAM. REF.823                          | RONDELLE AXE ACTIONNEMENT 823                       |
|    | 166637 | MANUAL LEVER REF. 601                        | PALANCA MANUAL REF.601                                  | LEVIER MANUEL REF. 601                              |
| 2  | 278002 | RUBER ELBOW D73X350X210                      | CODO GOMA D73X350X210                                   | COUDE GOMME D73X350X210                             |
| 3  | 132340 | CLAMP 301510-0 D80-100                       | ABRAZADERA 80-100 *                                     | BRIDE 301510-0 D80-100                              |
| 4  | 178152 | UNION T                                      | TE UNION  | T UNION   |
| 5  | 358168 | DRAIN HOSE                                   | TUBO DESAGÜE  | TUBE VIDANGE  |
| 6  | 277053 | DRAIN JOINTING HOSE                          | TUBO UNION DESAGUE                                      | TUBE UNION VIDANGE                                  |
| 7  | 163253 | DRAIN OUTLET HOSE                            | TUBO SALIDA DESAGÜE                                     | TUBE SORTIE VIDANGE                                 |
| 8  | 212795 | DRAIN PROTECTION                             | PROTECCION DESAGÜE                                      | PROTECTION VIDANGE                                  |
| 9  | 135004 | CONICAL END-PIECE REPRIMSA R16               | TOPE CONICO REPRIMSA R-16 D30                           | ARRET CONIQUE REPRIMSA R16 D30                      |
| 10 | 149609 | CLAMP 301526-5 D25-40                        | ABRAZADERA 25- 40 *                                     | BRIDE 301526-5 D25-40                               |
| 11 | 243717 | DRAIN BRACKET                                | SOPORTE DESAGÜE   | SUPPORT VIDANGE                                     |
| 12 | 144881 | INOX HEX SCREW DIN933 M 6X16                 | TOR.EX.DIN933INOX A2-70 M 6X16                          | VIS HEX INOX DIN933 M 6X16                          |
| 13 | 149310 | INOX.A2 WASHER DIN125 6,4                    | ARAN. DIN125 INOX A2 6,4                                | RONDELLE INOX.A2 DIN125 6,4                         |
| 14 | 149971 | INOX. HEX. NUT DIN 934 M-6                   | TUER.EX.DIN934 INOX A2-70 M 6                           | ECROU HEX. INOX. DIN 934 M-6                        |
| 15 | 144964 | INOX HEX SCREW DIN 933 M-8X16                | TOR.EX.DIN933INOX A2-70 M 8X16                          | VIS HEX INOX DIN 933 M-8X16                         |
| 16 | 149351 | INOX A2 WASHER DIN 125 8,4                   | ARAN. DIN125 INOX A2 8,4                                | RONDELLE INOX A2 DIN 125 8,4                        |
| 17 | 358192 | CLAMP 130-150 *                              | ABRAZADERA 130-150 *                                    | BRIDE 130-150 *                                     |

| N°     | REF | DENOMINATION         | DENOMINACIÓN           | DENOMINATION         |
|--------|-----|----------------------|------------------------|----------------------|
|        |     | WITHOUT ILLUSTRATION | SIN ILUSTRACION        | SANS ILLUSTRATION    |
| 793570 |     | SECOND DRAIN KIT     | KIT 2° DESAGUE HS-6057 | KIT DEUXIEME VIDANGE |