

Mod.	From serial no. A partir máq. nº
MS-610	2.020.001
EM025	1.370.001

Parts Handbook for Washers

Manual de Despiece para lavadoras

Notice Vues Eclatées pour laveuses

MS-610 / EM025

GIRBAU, S.A.

Crta de Manlleu, km. 1
08500 VIC (Barcelona) • SPAIN
Tel. 34 93 8861100
Fax 34 93 8860785
girbau@girbau.es
www.girbau.com

USA, CANADA:

CONTINENTAL GIRBAU Inc.

2500 State Road 44
WI 54904 Oshkosh • USA
Tel. 1(920) 231-8222
Fax 1(920) 231-4666
info@cont-girbau.com
www.cont-girbau.com

**Parts Handbook
Despiece
Vues Eclatées**

**MS-610
EM025**

VERY IMPORTANT:

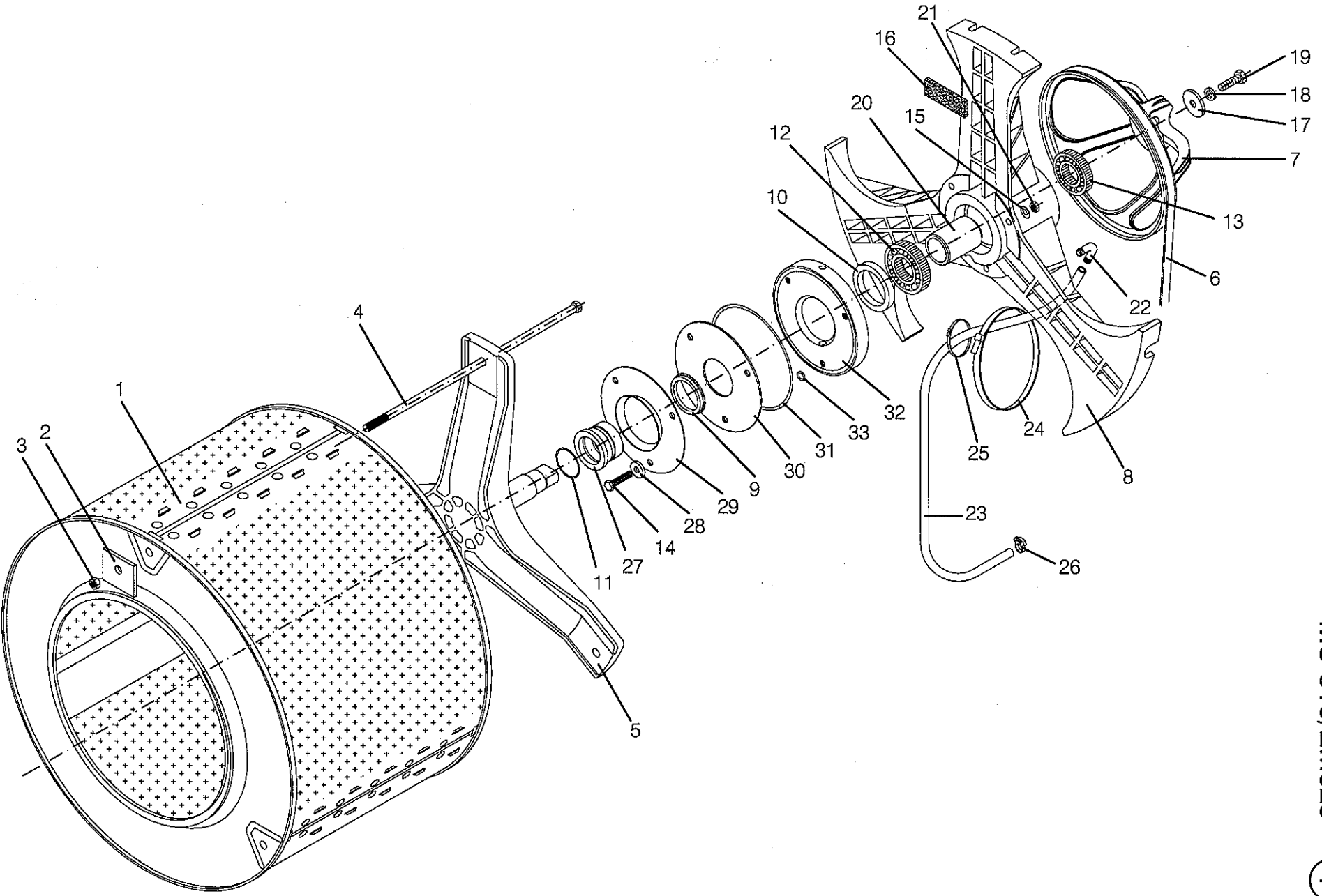
Before ordering parts be sure they have not been modified. Check it on modification sheet, after the corresponding sheet.

MUY IMPORTANTE:

Al pedir una pieza cerciorarse antes de que la misma no ha sido modificada. Si lo hubiese sido, estaría situada como hoja de modificaciones, detrás de la hoja correspondiente.

TRES IMPORTANT:

Avant de commander une pièce, s'assurer qu'elle n'a pas été modifiée. Le vérifier sur feuille de modifications, derrière la feuille correspondante.

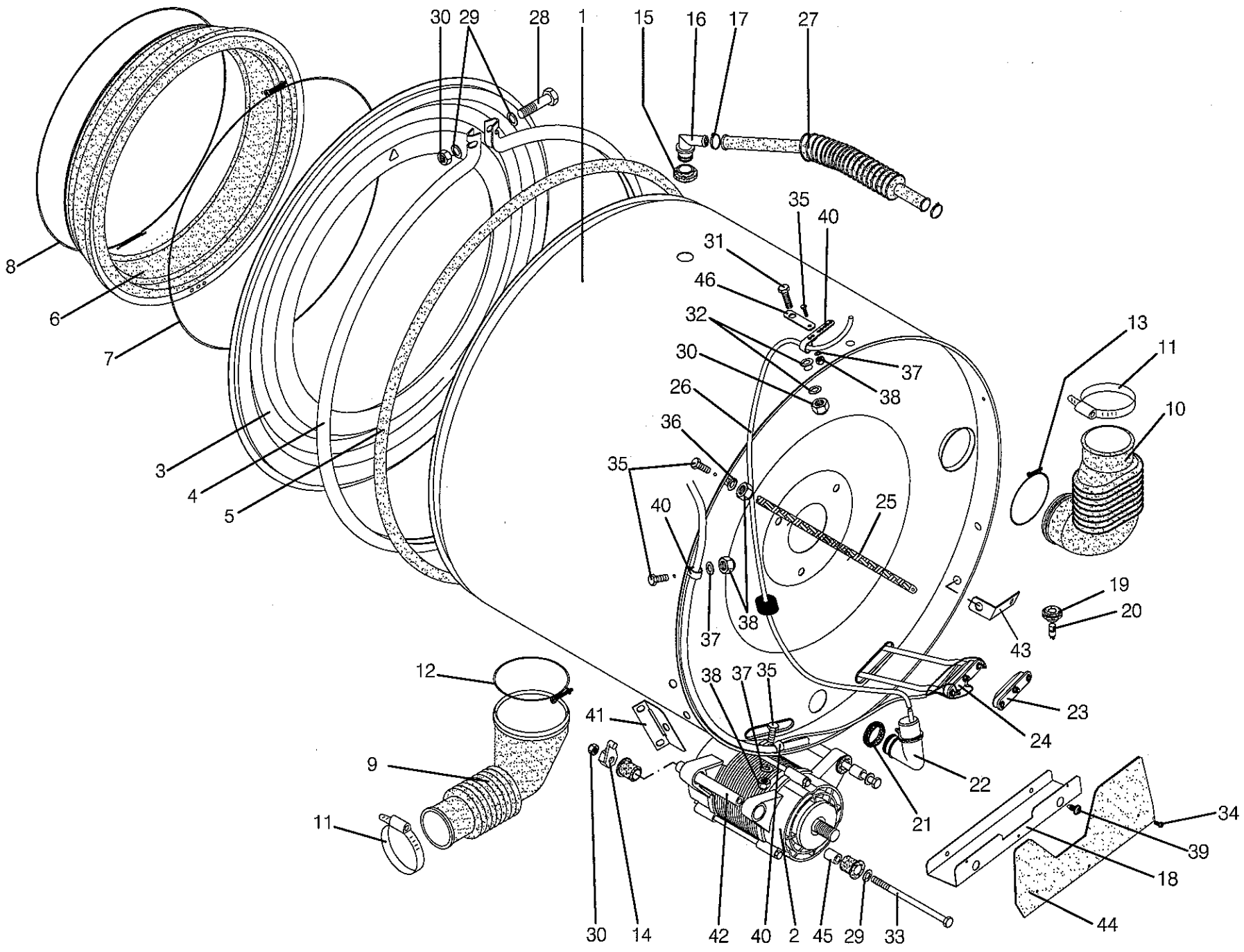


U.16663

MS-610/EM025

N°	REF.	DENOMINATION	DENOMINACIÓN	DÉNOMINATION
1	421875	BASKET BODY	CUERPO TAMBOR	CORPS TAMBOUR
2	421636	BASKET SHOVEL RENFORT	REFUERZO PALA TAMBOR	REFORT PALETTE TAMBOUR
3	149955	INOX HEX NUT DIN 934 M-10	TUER.EX.DIN934 INOX A2-70 M10	ECROU HEXAG. INOX DIN 934 M-10
4	333161	BASKET SHOVEL STRETCHER	TIRANTE PALA TAMBOR	TIRANT PALETTE TAMBOUR
5	332841	BASKET TRUNNION	ESTRELLA ARRASTRE TAMBOR	CROISILLON TAMBOUR
6	319855	ESTR.BELT 9PJ 1503+/-6	CORREA ESTR.9PJ1503+/-6	COURROIE ESTR.9PJ 1503+/-6
7	321638	BASKET PULLEY	POLEA TAMBOR	POULIE TAMBOUR
8	421248	BEARING BOX	ESTRELLA CAJA COJINETES	BOITE ROULEMENTS
9	338921	RING V-RING V- 50 A NBR562	ANILLO V-RING V- 50 A NBR562	BAGUE V-RING V- 50 A NBR562
10	338913	SEAL 52X68X8 BA	RETEN 52X68X8 BA	RESERVE 52X68X8 BA
11	338947	TORIC GASKET 40X44X2	JUNTA TORICA 40X44X2	JOINT TORIQUE 40X44X2
12	305789	BEARING 6208-2Z QE6	RODAMIENTO 6208-2Z QE6	ROULEMENT 6208-2Z QE6
13	172072	BEARING 6206-2Z QE6	RODAMIENTO 6206-2Z	ROULEMENT 6206-2Z QE6
14	338988	HEX SCREW INOX DIN 933 M 8X 55	TOR.EX.DIN933INOX A2-70 M 8X55	VIS.HEX.DIN933 INOX A270 M8X55
15	149518	BICR.WASHER B DIN125-ST 8,4	ARAN.B DIN125-ST BICR. 8,4	RONDELLE.B DIN125-ST BICR.8,4
16	101014	PROFILE ADHESIVE 25X6	PERF.AUTOAD.ESPONJ.NEOPR.25 X6	PROFILE ADHESIVE 25X6
17	406421	WASHER D57XD11X6	ARANDELA D57XD11X6	RONDELLE D57XD11X6
18	149799	GROWER WASHER DIN 127 M-10	ARAN.GROWER A10 DIN127 BICR.	RONDELLE GROWER DIN 127 M-10
19	147009	HEX SCREW 8G DIN 933 M-10X25	TOR.EX.DIN933-8.8 BICR.M10X 25	VIS HEX. DIN 933 M-10X25 8G
20	333138	BEARING END-PIECE	TOPE COJINETES	ARRET ROULEMENTS
21	164285	SELFBLOCKING NUT DIN985 M-8	TUER.AUTOBL.DIN985-8 BICR.M 8	ECROU AUTOBLOCANT DIN985 M-8
22	332304	ELBOW POLY.STER10	CODO POLIPROPILENO STER10	COUDE POLY.STER10
23	420844	BEARING BOX DRAIN HOSE	TUBO DESAGÜE CAJA COJINETES	TUBE VIDANGE BOITE ROULEMENTS
24	140509	CLAMP 2273-0	BRIDA UNEX 2273-0	BRIDE 2273-0
25	140525	CLAMP 2244-0	BRIDA UNEX 2244-0	BRIDE 2244-0
26	323667	CLAMP NORMA D12,07-D13,61	ABRAZADERA NORMA D12,07-D13,61	COLLIER NORMA D12,07-D13,61
27	338822	SEAL RING	ANILLO RETENES	BAGUE RESERVES
28	333146	WASHER 23X8.5X3	ARANDELA 23X8.5X3	RONDELLE 23X8.5X3
29	338848	SEAL PLATE	DEFLECTOR ANILLO RETENES	PLATINE RESERVES
30	338855	V-RING PLATE	PLATINA V-RING	PLATINE V-RING

N°	REF.	DENOMINATION	DENOMINACIÓN	DÉNOMINATION
31	333153	JOINT	JUNTA ESPONJOSA SEPARADOR	JOINT
32	333120	OUTER DRUM SEPARATOR	SEPARADOR ENVOLVENTE	SEPARATEUR CUVE
33	338939	TORIC GASKET 8X11.2X1.6	JUNTA TORICA 8X11.2X1.6	JOINT TORIQUE 8X11.2X1.6



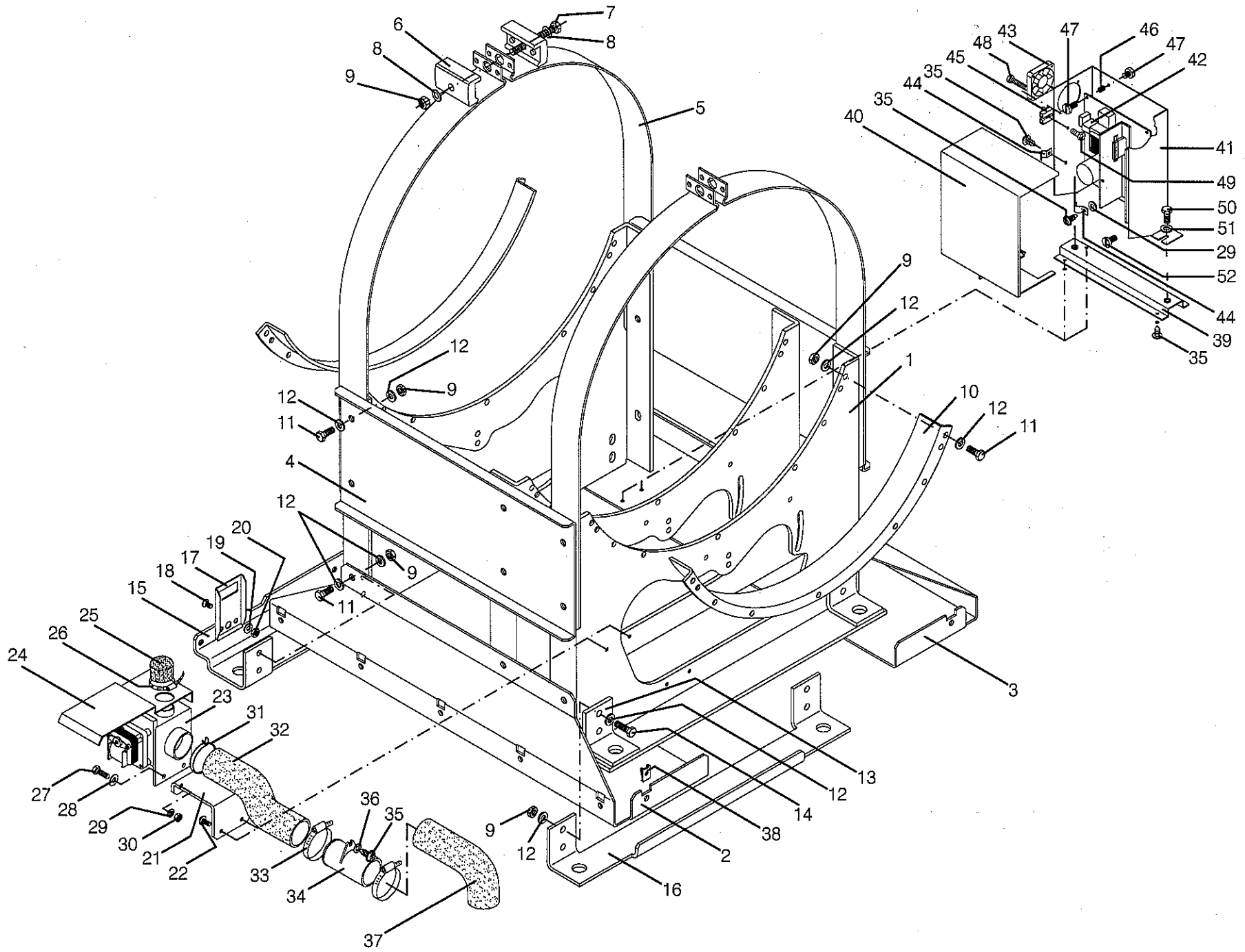
U.16664

MS-610/EM025

2

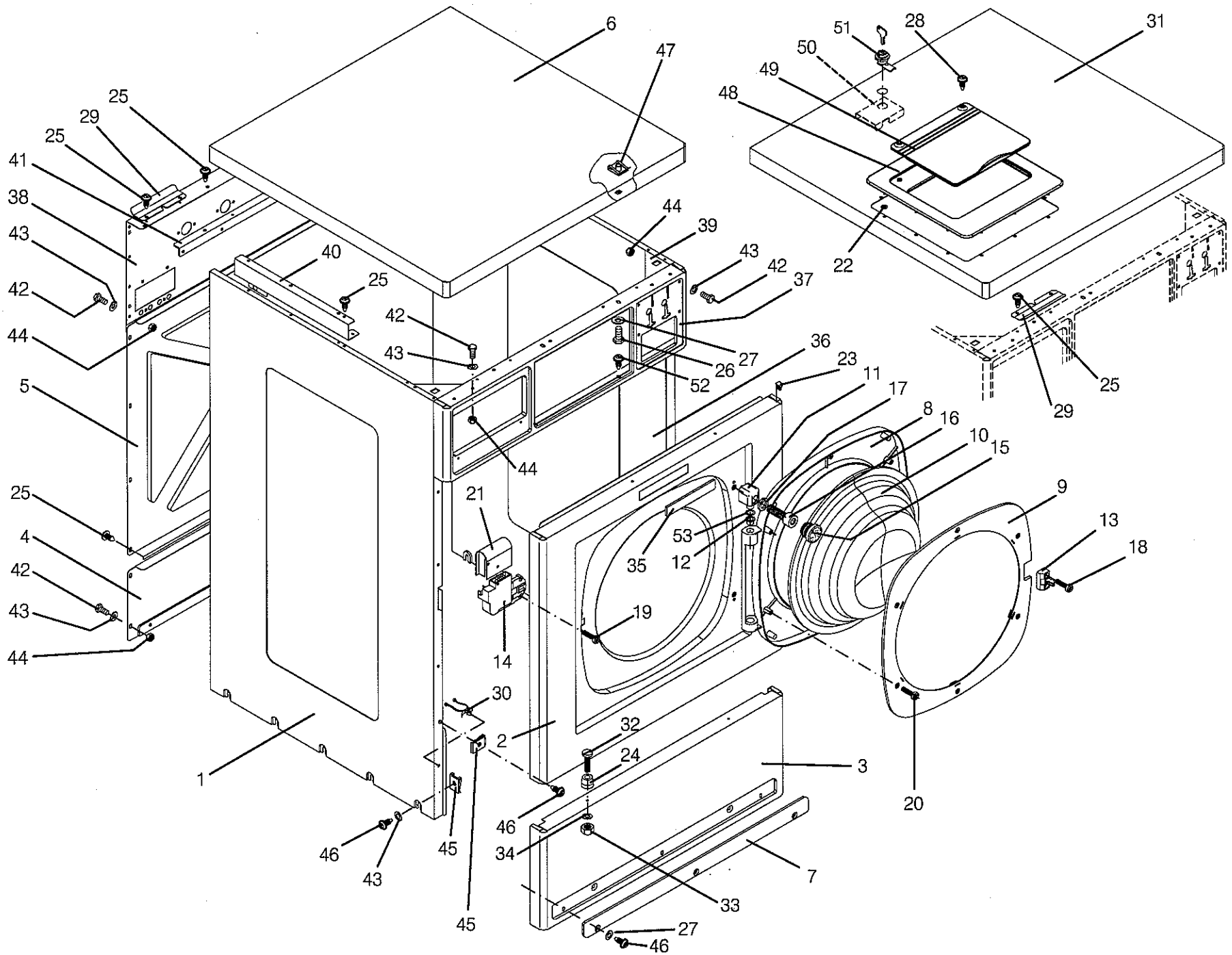
N°	REF.	DENOMINATION	DENOMINACIÓN	DÉNOMINATION
1	421925	OUTER DRUM	ENVOLVENTE	CUVE
2	421842	MOTOR MT55-90/2	MOTOR MT55-90/2	MOTEUR MT55-90/2
	323873	MOTOR SILENTBLOC	SILENTBLOC MOTOR	SILENTBLOC MOTEUR
3	322099	OUTER DRUM FRONT PANEL	FRONTAL ENVOLVENTE	FRONTAL CUVE
4	322222	OUTER DRUM FIXING RING	ARO FIJACION ENVOLVENTE	BAGUE FIXATION CUVE
5	327700	OUTER DRUM FRONT GASKET	JUNTA FRONTAL ENVOLVENTE	JOINT FRONTAL CUVE
6	322263	DOOR GASKET	JUNTA ESCOTILLA	JOINT HUBLLOT
7	323204	CLAMP D385XD1,5	ABRAZ.ALAMBRE D385XD1,5 TORNI.	BRIDE D385XD1,5
8	323212	CLAMP D340XD1,5	ABRAZ.ALAMBRE D340XD1,5 MUELLE	BRIDE D340XD1,5
9	322214	OUTER-DRUM DRAIN BELLOWS	FUELLE DESAGUE ENVOLVENTE	DURITE VIDANGE CUVE
10	338814	DISPENSER BELLOWS	FUELLE DOSIFICADOR	DURITE BAC A PRODUIT
11	323576	CLAMP FIM 35542 B54,2	ABRAZ.FIM 35542 B54,2	COLLIER FIM 35542 B54,2
12	323220	CLAMP D97XD2	ABRAZ.ALAMBRE D97XD2	COLLIER D97XD2
13	338905	CLAMP 6860	ABRAZ.ALAMBRE SWHCFS 6860	BRIDE 6860
14	421511	MOTOR NUT BRACKET	SOPORTE TUERCA MOTOR	SUPPORT ECROU MOTEUR
15	338863	VAPOR OUTLET SHEATH-LODGING	PASAMUROS DESVAPORIZADOR	LOGEMENT SORTIE CONDENSATS
16	338871	VAPOR OUTLET RACCORD	RACOR DESVAPORIZADOR	RACCORD SORTIE CONDENSATS
17	338897	CLAMP 20,2	ABRAZ.FIM 20202 B20,2	BRIDE 20,2
18	423459	MOTOR PROTECTION	PROTECCION MOTOR	PROTECTION MOTEUR
19	256149	SENSOR SHEATH LODGING	PASAMUROS SENSOR	LOGEMENT SENSEUR
20	193862	NTC RESISTANCE 2322 640 90042	RESISTENCIA NTC 2381 640 90042	RESISTANCE NTC 2322 640 90042
21	320036	PRESSURE T.BODY SHEATH-LODGING	PASAMUROS CUERPO PRESOSTATO	LOGEMENT CORPS PRESSOSTAT
22	320382	PRESSURE TRANSMITT INTAKE BODY	CUERPO TOMA PRESOSTATO	CORPS PRISE PRESSOSTAT
23	121962	HEATER INLET LID	CIERRE ENTRADA CALEFACTOR	FERMETURE ENTREE RESISTANCE
24	332577	HEATER 230V 2000/1000 W (MS-610) (FOR MACHINES ELECTR.HEATING) (FOR 200-208-220-230-380-400V)	CALEFACTOR 230V 2000/1000 W (MS-610) (PARA MODELOS CALEFAC.ELECTR.) (PARA 200-208-220-230-380-400V)	RESISTANCE 230V 2000/1000 W (MS-610) (POUR MACHINES CHAUF.ELECTR.) (POUR 200-208-220-230-380-400V)
	332569	HEATER 240V 2000/1000W (EM025) (FOR MACHINES ELECTR.HEATING) (FOR 208-240V)	CALEFACTOR 240V 2000/1000W (EM025) (PARA MODELOS CALEFAC.ELECTR.) (PARA 208-240V)	RESISTANCE 240V 2000/1000W (EM025) (POUR MACHINES CHAUF.ELECTR.) (POUR 208-240V)

N°	REF.	DENOMINATION	DENOMINACIÓN	DÉNOMINATION
		(MS-610) (FOR MACHINES ELECTR.HEATING) (FOR 208-240 AND 415V)	(MS-610) (PARA MODELOS CALEFAC.ELECTR.) (PARA 208-240 Y 415V)	(MS-610) (POUR MACHINES CHAUF.ELECTR.) (POUR 208-240 ET 415V)
25	323824	GROUND -CS 310/010/07	TRENZA DE MASA CS 6-310/010/07	TERRE - CS -310/010/07
26	410563	PRESSURE TRANSMITTER HOSE	TUBO TRANSMISOR PRESION	TUYAU PRESSOSTAT
27	338889	VAPOUR OUTLET HOSE	TUBO DESVAPORIZADOR	TUBE SORTIE CONDENSATS
28	146464	BICR.HEX SCREW DIN933-8 M8X100	TOR.EX.DIN933-8.8 BICR.M 8X100	VIS HEX BICR.DIN933-8 M 8X100
29	149518	BICR.WASHER B DIN125-ST 8,4	ARAN.B DIN125-ST BICR. 8,4	RONDELLE.B DIN125-ST BICR.8,4
30	164285	SELFBLOCKING NUT DIN985 M-8	TUER.AUTOBL.DIN985-8 BICR.M 8	ECROU AUTOBLOCANT DIN985 M-8
31	192831	BICR.HEX SCREW DIN 933-8 M8X30	TOR.EX.DIN933-8.8 BICR.M 8X 30	VIS HEX DIN 933-8,8 BIC.M8X30
32	261529	WASHER 25X8,5X4	ARANDELA 25X8,5X4	RONDELLE 25X8,5X4
33	339366	SCREW HEX 8.8 DIN931 M 8X160	TOR.EX.DIN931-8.8 BICR.M8X160	VIS.HEX.DIN931 8.8 BICRM 8X160
34	332627	SCREW REF. TT85 T M3 X16	TOR. REF. TT85 T M3 X16	VIS REF.TT85 T M3 X16
35	146258	BIC.HEX SCREW DIN933-4.8 M4X10	TOR.EX.DIN933-4.8 BICR.M 4X 10	VIS HEX DIN933-4.8 BICR.M 4X10
36	287920	WASHER 14X4,5X2	ARANDELA 14X4,5X2	RONDELLE 14X4,5X2
37	149476	BICR.WASHER B DIN125-ST 4,3	ARAN.B DIN125-ST BICR. 4,3	RONDELLE B DIN125-ST BICR.4,3
38	132043	SELFBLOCKING NUT DIN985 M 4	TUER.AUTOBL.DIN985-8 BICR.M 4	ECROU AUTOBLOCANT DIN985 M 4
39	322750	SCREW FDS SF-M5X12PKS	TOR.CELO FT512FT85T M5X12	VIS.FDS SF-M5X12PKS
40	140418	CLAMP UNEX REF 1201	BRIDA UNEX 1201	BRIDE UNEX REF 1201
41	432070	OUTER DRUM PIECE	POSICIONADOR ENVOLVENTE	PIECE CUVE
42	421529	MOTOR SEPARATOR	SEPARADOR MOTOR	SEPARATEUR MOTEUR
43	412825	WIRE FIXATION PIECE	ESCUADRA FIJACION CABLES	ANGLE FIXATION CABLES
44	432252	WIRE PROTECTION	PROTECCION CABLES	PROTECTION CABLES
45	421537	MOTOR SLEEVE	CASQUILLO MOTOR	FRETTE MOTEUR
46	431452	PRESSOSTAT HOSE BRACKET	SOPORTE TUBO PRESOSTATO	SUPPORT TUBE PRESSOSTAT



N°	REF.	DENOMINATION	DENOMINACIÓN	DÉNOMINATION
1	421834	CHASSIS PLATE	PLACA CHASIS	PLAQUE CHASSIS
2	431924	CHASSIS RIGHT BASE	BASE DERECHA CHASIS	BASE DROITE CHASSIS
3	431932	CHASSIS LEFT BASE	BASE IZQUIERDA CHASIS	BASE GAUCHE CHASSIS
4	421727	CHASSIS SIDE PANEL	LATERAL CHASIS	LATERAL CHASSIS
5	421677	OUTER-DRUM CLAMP	ABRAZADERA ENVOLVENTE	BRIDE CUVE
6	338053	CLAMP TEIGHTENER	TENSOR ABRAZADERA	TENDEUR BRIDE
7	193391	HEX SCREW 8G DIN933 M- 8X 70	TOR.EX.DIN933-8.8 BICR.M 8X 70	VIS HEX.8G DIN933 M- 8X 70
8	261529	WASHER 25X8,5X4	ARANDELA 25X8,5X4	RONDELLE 25X8,5X4
9	164285	SELFBLOCKING NUT DIN985 M-8	TUER.AUTOBL.DIN985-8 BICR.M 8	ECROU AUTOBLOCANT DIN985 M-8
10	421768	OUTER-DRUM SUPPORT PROFILE	PERFIL APOYO ENVOLVENTE	PROFILE APPUI CUVE
11	192849	BIC.HEX SCREW DIN933-8 M-8X25	TOR.EX.DIN933-8.8 BICR.M 8X 25	VIS HEX.DIN933-8,8 BICR.M-8X25
12	149518	BICR.WASHER B DIN125-ST 8,4	ARAN.B DIN125-ST BICR. 8,4	RONDELLE.B DIN125-ST BICR.8,4
13	421495	CHASSIS JOINTING	UNION CHASIS	UNION CHASSIS
14	192831	BICR.HEX SCREW DIN 933-8 M8X30	TOR.EX.DIN933-8.8 BICR.M 8X 30	VIS HEX DIN 933-8,8 BIC.M8X30
15	431965	CHASSIS JOINING FRONT BASE	BASE ANT. UNION CHASIS	BASE FRONTAL UNION CHASSIS
16	431973	CHASSIS JOINING REAR BASE	BASE POST. UNION CHASIS	BASE ARRIERE UNION CHASSIS
17	326512	BASE MICROSWITCH BRACKET	SOPORTE MICRORRUPTOR BASE	SUPPORT MICRORRUPTEUR BASE
18	147611	SCREW DIN963-4.8 BICR M 4X10	TOR.AV.DIN7991 BICR M 4X10	VIS AV DIN963-4.8 BICR M 4X10
19	149476	BICR.WASHER B DIN125-ST 4,3	ARAN.B DIN125-ST BICR. 4,3	RONDELLE B DIN125-ST BICR.4,3
20	150185	BICR.HEX.NUT DIN934-8 M4	TUER.EX.DIN934-8 BICR.M 4	ECROU HEX.DIN934-8 BICR.M4
21	421651	DRAIN BRACKET	SOPORTE DESAGÜE	SUPPORT VIDANGE
22	343434	SCREW 512TTAET M5X12	TOR.CELO 512TTAET M5X12	VIS 512TTAET M5X12
23	251835	DRAIN (OPEN WITHOUT POWER) (FOR 208-240V)	DESAGUE(ABIERTO A F.DE CORR.) (PARA 208-240V)	VIDANGE (NORMALEMENT OUVERTE) (POUR 208-240V)
	326413	DRAIN (OPEN WITHOUT POWER) (FOR 120V)	DESAGUE(ABIERTO A F.DE CORR.) (PARA 120V)	VIDANGE(NORMALEMENT OUVERTE) (POUR 120V)
	326850	DRAIN (OPEN WITHOUT POWER) (FOR 200V 60HZ)	DESAGUE(ABIERTO A F.DE CORR.) (PARA 200V 60HZ)	VIDANGE(NORMALEMENT OUVERTE) (POUR 200V 60HZ)
24	251827	DRAIN PROTECTION	PROTECCION DESAGÜE	PROTECTION VIDANGE
25	135004	CONICAL END-PIECE REPRIMSA R16	TOPE CONICO REPRIMSA R-16 D30	ARRET CONIQUE REPRIMSA R16 D30
26	149609	CLAMP 301526-5 D25-40	ABRAZ.ASFA 25-40L REF.301655-9	BRIDE 301526-5 D25-40

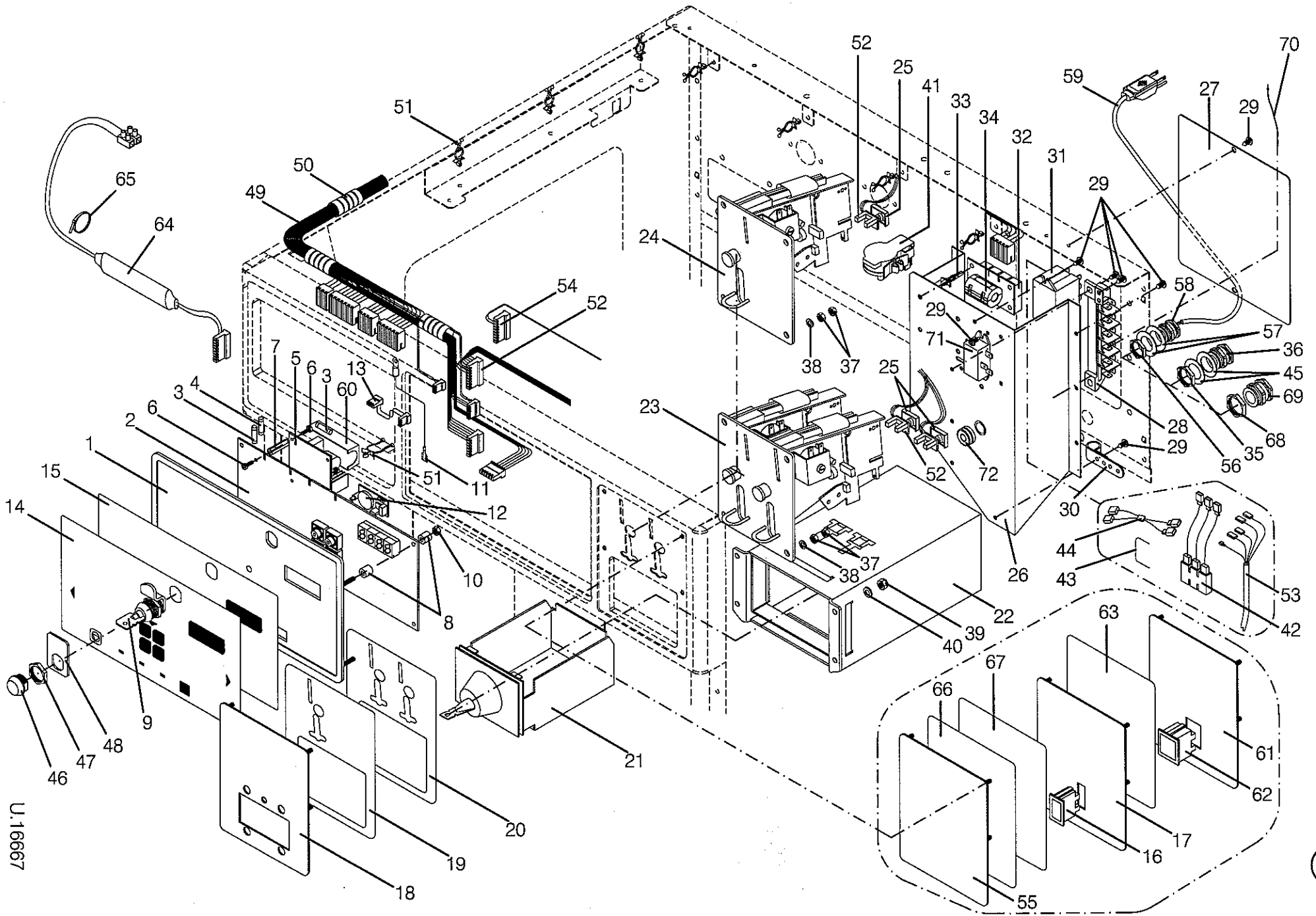
N°	REF.	DENOMINATION	DENOMINACIÓN	DÉNOMINATION
27	146316	BICR.HEX SCREW DIN933-8 M-6X20	TOR.EX.DIN933-8.8 BICR.M 6X 20	VIX HEX BICR.DIN933-8.8 M-6X20
28	122259	WASHER 20X6X1,5	ARANDELA 20X6X1,5	RONDELLE 20X6X1,5
29	149526	BICR.WASHER B DIN125-ST 6,4	ARAN.B DIN125-ST BICR. 6,4	RONDELLE B DIN125-ST BICR.6,4
30	176834	SELFBLOCKING NUT DIN985 M-6	TUER.AUTOBL.DIN985-8 BICR.M 6	ECROU AUTOBLOCANT DIN985 M-6
31	409755	CLAMP FIM 35574 B57,4	ABRAZ.FIM 35574 B57,4	COLLIER FIM 35574 B57,4
32	333369	DRAIN HOSE	TUBO DESAGÜE	TUBE VIDANGE
33	132290	CLAMP 301508-9 D50-70	ABRAZ.ASFA-S W2 50-70 301706-8	BRIDE 301508-9 D50-70
34	322149	DRAIN SLEEVE	MANGUITO DESAGUE	MANCHON VIDANGE
35	322750	SCREW FDS SF-M5X12PKS	TOR.CELO FT512FT85T M5X12	VIS.FDS SF-M5X12PKS
36	149534	BICR.WASHER B DIN125-ST 5,3	ARAN.B DIN125-ST BICR. 5,3	RONDELLE B BICR.DIN125-ST 5,3
37	326454	RUBBER ELBOW D50X200X100	CODO GOMA D50X200X100	COUDE GOMME D50X200X100
38	328575	QUICK NUT TRT M5-1 0212831-6	TUER.RAPIDA TRT M5-1 0212831-6	ECROU RAPIDE TRT M5-1
39	421628	INVERTER BASE	BASE CONVERTIDOR	BASE CONVERTISSEUR
40	323105	INVERTER COVER	TAPA VARIADOR	COUVERCLE CONVERTISSEUR
41	326033	INVERTER PLATE	PLACA CONVERTIDOR	PLAQUE CONVERTISSEUR
42	323071	INVERTER 600W	CONVERTIDOR FREQ.DANFOSS 600W	CONVERTISSEUR 600W
43	323089	INVERTER FAN	VENTILADOR CONVERTIDOR	VENTILATEUR CONVERTISSEUR
44	323055	ALUMINIUM CLAMP AL2	ABRAZADERA ALUMINIO AL2	BRIDE ALUMINIUM AL2
45	195818	CONNECTION BOARD (2 ELEMENT)	REGLETA CINTISA 230DS (2ELEM)	BORNIER (2 ELEMENTS)
46	323063	SEPARATOR HEX.HTSB-M4-10-7-1	SEPARADOR HEX.HTSB-M4-10-7-1	SEPARATEUR HEX.HTSB-M4-10-7-1
47	146068	BICR CYL SCREW DIN84-4.M 4X 5	TOR.CIL.DIN84-4.8 BICR.M 4X 5	VIS CYL BICR DIN84-4.8 M 4X 5
48	332627	SCREW REF. TT85 T M3 X16	TOR. REF. TT85 T M3 X16	VIS REF.TT85 T M3 X16
49	322693	SCREW PT KB35X10 WN1412	TOR.CELO 3510RF81T 3.5X10	VIS PT KN35X10 WN1412
50	146399	BICR HEX SCREW DIN933-8 M8X20	TOR.EX.DIN933-8.8 BICR.M 8X 20	VIS HEX DIN933-8.8 BICR.M8X20
51	327080	WASHER 29X8,5X4	ARANDELA 29X8,5X4	RONDELLE 29X8,5X4
52	146076	BICR ROUND SCREW DIN84 M 4X 8	TOR.CIL.DIN84-4.8 BICR.M 4X 8	VIS ROND BICR DIN84-4.8 M 4X 8



N°	REF.	DENOMINATION	DENOMINACIÓN	DÉNOMINATION
1	421933	LEFT SIDE PANEL (PAINTED)	TAPA LATERAL IZQUIERDA (PINTADA)	COUVERCLE LATERAL GAUCHE (PEINT)
	421958	LEFT SIDE PANEL (INOX)	TAPA LATERAL IZQUIERDA (INOX)	COUVERCLE LATERAL GAUCHE (INOX)
2	410597	FRONT PANEL	TAPA FRONTAL	COUVERCLE FRONTAL
3	322917	LOWER FRONT COVER	TAPA FRONTAL INFERIOR	COUVERCLE FRONTAL INFERIEUR
4	321794	LOWER REAR PANEL	TAPA POSTERIOR INFERIOR	COUVERCLE ARRIERE INFERIEUR
5	321786	CENTRAL REAR PANEL	TAPA POSTERIOR CENTRAL	COUVERCLE ARRIERE CENTR.
6	421750	TOP PANEL (FOR FRONT DISPENSER)	TAPA SUPERIOR (PARA DOSIFICADOR FRONTAL)	COUVERCLE SUPERIEUR (POUR BAC A PRODUITS FRONTAL)
7	323808	TOE PLATE	ZOCALO	PLAQUE HABILLAGE INF.
8	321646	DOOR	CUERPO ESCOTILLA	HUBLOT
9	322859	SPYHOLE PLATE	PORTA-MIRILLA	PLAQUE VITRE
10	321596	GLASS	MIRILLA	VITRE
11	321620	HINGE	BISAGRA	CHARNIÈRE
12	322925	SLEEVE IGLIDUR GFM-1416-17	COJINETE SKF PPMF 141617	FRETTE IGLIDUR GFM-1416-17
13	322958	LOCKING PIECE	GANCHO CIERRE BITRON P/5 GIRB	PIECE FERMETURE
14	333302	LOCKING BITRON BP P/5 DL-S1	CIERRE BITRON BP P/5 DL-S1 *	FERMETURE BITRON BP P/5 DL-S1
15	322974	PLUG	TAPON KAPSTO GPN320GL18	BOUCHON
16	316695	ALLEN SCREW DIN7984-8 M8X 25	TOR.ALLDIN7984-8.8 BICR.M 8X25	VIS ALLEN DIN7984-8.8 B.M8X 25
17	318253	WASHER 8	ARAN.ESPECIAL TORN.DIN912 M 8	RONDELLE 8
18	322933	SCREW SF PLUS M4X16 WN1352	TOR.CELO 414TT85T 4X14 INOX	VIS SF PLUS M4X16 WN1352
19	322990	SCREW DELTA PT 45X10 WN5452	TOR.CELO 4510RF81T 4.5X10	VIS DELTA PT 45X10 WN5452
20	326116	SCREW SF PLUS M4X10	TOR.CELO 410TT85T 4X10 INOX	VIS SF PLUS M4X10
21	333070	LOCKING PROTECTION	PROTECCION CIERRE	PROTECTION FERMETURE
22	193540	MIKALOR QUICK FIXING 211038-8 (FOR TOP DISPENSER)	SUJEC.RAPIDA MIKALOR 211038-8 (PARA DOSIFICADOR SUPERIOR)	FIXATION RAPIDE MIKALOR (POUR BAC A PRODUITS SUPERIEUR)
23	323717	END PIECE	CANTONERA	ARRET
24	322909	LOWER PANEL PIVOT	PIVOTE TAPA INFERIOR	PIVOT COUVERCLE INFERIEUR
25	322750	SCREW FDS SF-M5X12PKS	TOR.CELO FT512FT85T M5X12	VIS.FDS SF-M5X12PKS
26	146233	BICR.HEX SCREW DIN933-8 M6X15 (FOR FRONT DISPENSER)	TOR.EX.DIN933-8.8 BICR.M 6X 15 (PARA DOSIFICADOR FRONTAL)	VIS HEX DIN933-8.8 BICR.M6X15 (POUR BAC A PRODUITS FRONTAL)

N°	REF.	DENOMINATION	DENOMINACIÓN	DÉNOMINATION
27	149526	BICR.WASHER B DIN125-ST 6,4	ARAN.B DIN125-ST BICR. 6,4	RONDELLE B DIN125-ST BICR.6,4
28	326660	SCREW PT K40X12 WN1451-TORX (FOR TOP DISPENSER)	TOR.CELO 412RFX87T INOXA2 4X12 (PARA DOSIFICADOR SUPERIOR)	VIS PT K40X12 WN1451-TORX (POUR BAC A PRODUITS SUPERIEUR)
29	321836	TOP PANEL CLIP	GRAPA TAPA SUPERIOR	CLIP COUVERCLE SUPERIEUR
30	199893	CLAMP STL-450-3-01	ABRAZADERA STL-450-3-01	BRIDE STL-450-3-01
31	427674	TOP PANEL (FOR TOP DISPENSER)	TAPA SUPERIOR (PARA DOSIFICADOR SUPERIOR)	COUVERCLE SUPERIOR (POUR BAC A PRODUITS SUPERIEUR)
32	146134	BICR CYL SCREW DIN84 M-5X20	TOR.CIL.DIN84-4.8 BICR.M 5X20	VIS CYL BICR DIN84-4.8 M-5X20
33	176826	SELF-BLOCKING NUT DIN 985 M-5	TUER.AUTOBL.DIN985-8 BICR.M 5	ECROU AUTOBLOCANT DIN 985 M-5
34	149534	BICR.WASHER B DIN125-ST 5,3	ARAN.B DIN125-ST BICR. 5,3	RONDELLE B BICR.DIN125-ST 5,3
35	326074	PLATE GIRBAU (MS-610)	PLACA GIRBAU (MS-610)	PLAQUE GIRBAU (MS-610)
	326082	PLATE CONTINENTAL GIRBAU (EM025)	PLACA CONTINENTAL GIRBAU (EM025)	PLAQUE CONTINENTAL GIRBAU (EM025)
	327023	PLATE VIKING	PLACA VIKING	PLAQUE VIKING
36	421941	RIGHT SIDE PANEL (PAINTED)	TAPA LATERAL DERECHA (PINTADA)	COUVERCLE LATERAL DROIT (PEINT)
	421966	RIGHT SIDE PANEL (INOX)	TAPA LATERAL DERECHA (INOX)	COUVERCLE LATERAL DROIT (INOX)
37	412718	CONTROL PANEL	PANEL DE MANDOS	PANNEAU COMMANDE
38	338996	REAR PLATE	PANEL POSTERIOR	COUVERCLE ARRIERE
39	322073	BRACKET	CARTELA	SUPPORT
40	421594	SOAP DISPENSER BRACKET	SOPORTE DOSIFICADOR	SUPPORT BAC A PRODUITS
41	326017	INSTALATION FIXATION PIECE	ESCUADRA FIJACION INSTALACION	PIECE FIXATION INSTALLATION
42	327064	BICR.HEX SCREW DIN933-8 M5X 12	TOR.EX.DIN933-8.8 BICR.M 5X 12	VIS.HEX.DIN933-8.8 BICR.M5X 12
43	327072	SCREW WASHER DIN912 M 5	ARAN.ESPECIAL TORN.DIN912 M 5	RONDELLE VIS DIN912 M 5
44	176826	SELF-BLOCKING NUT DIN 985 M-5	TUER.AUTOBL.DIN985-8 BICR.M 5	ECROU AUTOBLOCANT DIN 985 M-5
45	328575	QUICK NUT TRT M5-1 0212831-6	TUER.RAPIDA TRT M5-1 0212831-6	ECROU RAPIDE TRT M5-1
46	328237	SCREW T25 AR.18ESTR. M5X15	TOR.ALOM.T20 AR.18ESTR.M 5X15	VIS T25 AR.18ESTR. M5X15
47	332114	NUT M6 (FOR FRONT DISPENSER)	TUER.RAPIDA TRT M6-1 0212827 (PARA DOSIFICADOR FRONTAL)	ECROU M6 (POUR BAC A PRODUITS FRONTAL)
48	343087	SOAP DISPENSER LID FRAME (FOR TOP DISPENSER)	MARCO TAPA DOSIFICADOR (PARA DOSIFICADOR SUPERIOR)	CADRE COUVERCLE BAC A PRODUITS (POUR BAC A PRODUITS SUPERIEUR)

N°	REF.	DENOMINATION	DENOMINACIÓN	DÉNOMINATION
49	343095	SOAP DISPENSER LID (FOR TOP DISPENSER)	TAPA DOSIFICADOR (PARA DOSIFICADOR SUPERIOR)	COUVERCLE BAC A PRODUITS (POUR BAC A PRODUITS SUPERIEUR)
50	431155	UPPER COVER RENFORT (FOR TOP DISPENSER)	REFUERZO TAPA SUPERIOR (PARA DOSIFICADOR SUPERIOR)	REFORT COUVERCLE SUPERIEUR (POUR BAC A PRODUITS SUPERIEUR)
51	196915	LOCK RE.20.09.24 (FOR TOP DISPENSER)	CERRADURA REF.20.09.24 (PARA DOSIFICADOR SUPERIOR)	FERMETURE REF.20.09.24 (POUR BAC A PRODUITS SUPERIEUR)
	196923	LOCK KEY RE.104.12.13 (FOR TOP DISPENSER)	LLAVE REF.10.41.213 COMB.T-205 (PARA DOSIFICADOR SUPERIOR)	CLE FERMETURE REF.104.12.13 (POUR BAC A PRODUITS SUPERIEUR)
52	320911	INOX FDS SF-M5X12PKS SCREW	TOR.FTX512FT85T INOX A2 M5X12	VIS FDS.SF-M5X12PKS TORX INOX
53	343426	WASHER P15X22X0,1 DIN988	ARAN.AJUSTE PS15X22X0,1 DIN988	RONDELLE PS15X22X0,1 DIN988



U.16667

MS-610/EM025

N°	REF.	DENOMINATION	DENOMINACIÓN	DÉNOMINATION
1	322776	CONTROL PANEL PLATE	PLACA PANEL DE MANDOS	PLAQUE PANNEAU DE COMMANDES
2	339606	MICROPROCESSOR BOARD HS-6008	PLACA MICROPROCESADOR HS-6008	PLAQUE MICROPROCESSEUR HS-6008
3	322941	FUSE SPT 2,5A	CART.FUSIB.SPT 0001.2508 2,5A	CARTOUCHE FUSIB.2,5A
4	326371	FUSE FST 8A	CART.FUSIB.FST 0034.5244 8 A	CARTOUCHE FUSIBLE FST 8A
5	322669	POWER MW PS-25-13.5	FUENTE ALIMENT.MW PS-25-13.5	PLAQUE ALIM.MW PS-25-13.5
6	322693	SCREW PT KB35X10 WN1412	TOR.CELO 3510RF81T 3.5X10	VIS PT KN35X10 WN1412
7	322685	SEPARATOR HEX.HS6-8	SEPARADOR EXAGONAL HS6-8	SEPARATEUR HEX. HS6-8
8	322768	SEPARATOR CIL.SS8-3L CPVC	SEPARADOR PLACA MICRO	SEPARATEUR CIL.SS8-3L CPVC
9	323881	LOCKING (FOR FRONT DISPENSER)	CIERRE (PARA DOSIFICADOR FRONTAL)	FERMETURE (POUR BAC A PRODUITS FRONTAL)
	316075	KEY FOR LOCK GREENWALD (FOR FRONT DISPENSER)	LLAVE PARA CIERRE GREENWALD (PARA DOSIFICADOR FRONTAL)	CLE POUR FERMETURE GREENWALD (POUR BAC A PRODUITS FRONTAL)
10	150185	BICR.HEX.NUT DIN934-8 M4	TUER.EX.DIN934-8 BICR.M 4	ECROU HEX.DIN934-8 BICR.M4
11	342337	GROUND CABLE	CABLE DE TIERRA	PRISE DE TERRE
12	322677	CLOCK CIRCUIT (FOR MACHINES WITH CLOCK TR)	CIRCUITO RELOJ (PARA MODELOS CON RELOJ TR)	CIRCUIT HORLOGE (POUR MACHINES AVEC HOLOGE TR)
13	342451	INSTALLATION PLUG	CONECTORA INSTALACION	CONNECTEUR INSTALLATION
14	339697	COIN CONTROL WASHER KEYBOARD (ENGLISH)	TECLADO LAVADORA CC-IN (INGLES)	CLAVIER LAVEUSE COIN CONTROL (ANGLAIS)
	339705	COIN CONTROL WASHER KEYBOARD (SPANISH)	TECLADO LAVADORA CC-ES (ESPAÑOL)	CLAVIER LAVEUSE COIN CONTROL (ESPAGNOL)
	339713	COIN CONTROL WASHER KEYBOARD (FRENCH)	TECLADO LAVADORA CC-FR (FRANCES)	CLAVIER LAVEUSE COIN CONTROL (FRANCAIS)
	428714	COIN CONTROL WASHER KEYBOARD (NORWEGIAN)	TECLADO LAVADORA CC-NO (NORUEGO)	CLAVIER LAVEUSE COIN CONTROL (NORVÉGIEN)
	428730	COIN CONTROL WASHER KEYBOARD (DANISH)	TECLADO LAVADORA CC-DA (DANES)	CLAVIER LAVEUSE COIN CONTROL (DANOIS)
	339721	COIN CONTROL WASHER KEYBOARD (GERMAN)	TECLADO LAVADORA CC-AL (ALEMAN)	CLAVIER LAVEUSE COIN CONTROL (ALEMAN)
	428755	COIN CONTROL WASHER KEYBOARD (SWEDISH)	TECLADO LAVADORA CC-SU (SUECO)	CLAVIER LAVEUSE COIN CONTROL (SUÉDOIS)
	339739	COIN CONTROL WASHER KEYBOARD (ITALIAN)	TECLADO LAVADORA CC-IT (ITALIANO)	CLAVIER LAVEUSE COIN CONTROL (ITALIEN)
	428771	COIN CONTROL WASHER KEYBOARD (GREEK)	TECLADO LAVADORA CC-GR (GRIEGO)	CLAVIER LAVEUSE COIN CONTROL (GREC)

N°	REF.	DENOMINATION	DENOMINACIÓN	DÉNOMINATION
	339747	COIN CONTROL WASHER KEYBOARD (FOR USA AND CANADA ONLY)	TECLADO LAVADORA CC-USA (SOLO PARA USA Y CANADA)	CLAVIER LAVEUSE COIN CONTROL (SEULEMENT POUR USA ET CANADA)
	428797	COIN CONTROL WASHER KEYBOARD (DUTCH)	TECLADO LAVADORA CC-HO (HOLANDES)	CLAVIER LAVEUSE COIN CONTROL (HOLLANDAIS)
	428813	COIN CONTROL WASHER KEYBOARD (FINNISH)	TECLADO LAVADORA CC-FI (FINLANDES)	CLAVIER LAVEUSE COIN CONTROL (FINLANDOIS)
	428839	COIN CONTROL WASHER KEYBOARD (JAPANESE)	TECLADO LAVADORA CC-JA (JAPONES)	CLAVIER LAVEUSE COIN CONTROL (JAPONAIS)
	428847	COIN CONTROL WASHER KEYBOARD (PORTUGUESE)	TECLADO LAVADORA CC-PO (PORTUGUES)	CLAVIER LAVEUSE COIN CONTROL (PORTUGUAIS)
15	339630	LOGI CONTROL WASHER KEYBOARD (ENGLISH)	TECLADO LAVADORA LC-IN (INGLES)	CLAVIER LAVEUSE LOGI CONTROL (ANGLAIS)
	339648	LOGI CONTROL WASHER KEYBOARD (SPANISH)	TECLADO LAVADORA LC-ES (ESPAÑOL)	CLAVIER LAVEUSE COIN CONTROL (ESPAGNOL)
	339655	LOGI CONTROL WASHER KEYBOARD (FRENCH)	TECLADO LAVADORA LC-FR (FRANCES)	CLAVIER LAVEUSE COIN CONTROL (FRANCAIS)
	428722	LOGI CONTROL WASHER KEYBOARD (NORWEGIAN)	TECLADO LAVADORA LC-NO (NORUEGO)	CLAVIER LAVEUSE COIN CONTROL (NORVÉGIEN)
	428748	LOGI CONTROL WASHER KEYBOARD (DANISH)	TECLADO LAVADORA LC-DA (DANES)	CLAVIER LAVEUSE COIN CONTROL (DANOIS)
	339663	LOGI CONTROL WASHER KEYBOARD (GERMAN)	TECLADO LAVADORA LC-AL (ALEMAN)	CLAVIER LAVEUSE COIN CONTROL (ALEMAN)
	428763	LOGI CONTROL WASHER KEYBOARD (SWEDISH)	TECLADO LAVADORA LC-SU (SUECO)	CLAVIER LAVEUSE COIN CONTROL (SUÉDOIS)
	339671	LOGI CONTROL WASHER KEYBOARD (ITALIAN)	TECLADO LAVADORA LC-IT (ITALIANO)	CLAVIER LAVEUSE COIN CONTROL (ITALIEN)
	428789	LOGI CONTROL WASHER KEYBOARD (GREEK)	TECLADO LAVADORA LC-GR (GRIEGO)	CLAVIER LAVEUSE COIN CONTROL (GREC)
	428805	LOGI CONTROL WASHER KEYBOARD (DUTCH)	TECLADO LAVADORA LC-HO (HOLANDES)	CLAVIER LAVEUSE COIN CONTROL (HOLLANDAIS)
	428821	LOGI CONTROL WASHER KEYBOARD (FINNISH)	TECLADO LAVADORA LC-FI (FINLANDES)	CLAVIER LAVEUSE COIN CONTROL (FINLANDOIS)
	428854	LOGI CONTROL WASHER KEYBOARD (PORTUGUESE)	TECLADO LAVADORA LC-PO (PORTUGUES)	CLAVIER LAVEUSE COIN CONTROL (PORTUGUAIS)
	428862	LOGI CONTROL WASHER KEYBOARD (VIKING)	TECLADO LAVADORA LC-IN VIKING (VIKING)	CLAVIER LAVEUSE COIN CONTROL (VIKING)
16	300780	SWITCH 1WIXII/3359 WHITE (LOGI CTRL MODELS ONLY)	INTER.PILOTO 1WIXII/3359 BLANC (PARA MODELOS A LOGI CONTROL)	INTERRUPTEUR 1WIXII/3359 BLANC (POUR MODELE LOGI CONTROL)

N°	REF.	DENOMINATION	DENOMINACIÓN	DÉNOMINATION
17	322180	SWITCH PLATE (LOGI CTRL MODELS ONLY)	PLACA INTERRUPTOR (PARA MODELOS A LOGI CONTROL)	PLAQUE INTERRUPTEUR (POUR MODELE LOGI CONTROL)
18	322164	CARD READER PLATE (FOR CARD READER) (COIN CTRL MODELS ONLY)	PLACA LECTOR TARJETA (PARA MODELOS CON TARJETERO) (PARA MODELOS A COIN CONTROL)	PLAQUE LECTEUR CARTE (POUR MACH.AVEC LECTEUR CARTE) (POUR MODELO COIN CONTROL)
19	340125	COIN-METER PLATE (FOR SINGLE COIN METER) (FOR PROGRAMMABLE COIN.METER)	PLACA MONEDERO UNIVERSAL (PARA MONEDERO SIMPLE) (PARA MONEDERO PROGRAMABLE)	PLAQUE MONNAYEUR (POUR MONNAYEUR SIMPLE) (POUR MONNAYEUR PROGRAMMABLE)
	339861	COIN-METER PLATE FOR TOKEN GIR (FOR SINGLE COIN METER) (FOR MACHINES WITH TOKEN GIR.)	PLACA MONEDERO FG (PARA MONEDERO SIMPLE) (PARA MOD.CON FICHA GIRBAU)	PLAQUE MONNAYEUR A/JETON GIRB. (POUR MONNAYEUR SIMPLE) (POUR MACHINES AVEC JETON GIR)
	340117	USD COIN-METER PLATE (EM025) (FOR SINGLE COIN METER) (FOR MACHINES CC WITH COIN 25C)	PLACA MONEDERO USD (EM025) (PARA MONEDERO SIMPLE) (PARA MOD.CC CON MOND.25C)	PLAQUE MONNAYEUR USD (EM025) (POUR MONNAYEUR SIMPLE) (POUR MACHINES CC AVEC MO.25C)
	339895	YEN COIN-METER PLATE (FOR SINGLE COIN METER) (FOR MOD.CC WITH COIN M.100 Y)	PLACA MONEDERO YEN (PARA MONEDERO SIMPLE) (PARA MOD.CC CON MON.100 YENS)	PLAQUE MONNAYEUR YEN (POUR MONNAYEUR SIMPLE) (POUR MOD.CC AVEC MON.100 YENS)
20	339853	EUR COIN-METER PLATE (FOR DUAL COIN-METER) (FOR MACHINES WITH C-20C/2EUR)	PLACA MONEDERO EUR (PARA MONEDERO DOBLE) (PARA MODELOS CON MON.20C/2EUR)	PLAQUE MONNAYEUR EUR (POUR MONNAYEUR DOUBLE) (POUR MACHINES AVEC M.20C/2EUR)
	340109	USD COIN-METER PLATE (EM025) (FOR DUAL COIN-METER) (FOR MACHINES WITH 25C/1\$)	PLACA MONEDERO USD (EM025) (PARA MONEDERO DOBLE) (PARA MODELOS CON 25C/1\$)	PLAQUE MONNAYEUR USD (EM025) (POUR MONNAYEUR DOUBLE) (POUR MACHINES AVEC 25C/1\$)
	339879	GBP COIN-METER PLATE (FOR DUAL COIN-METER) (FOR MOD. CC WITH 0,5£/1£)	PLACA MONEDERO GBP (PARA MONEDERO DOBLE) (PARA MOD. CC CON 0,5£/1£)	PLAQUE MONNAYEUR GBP (POUR MONNAYEUR DOUBLE) (POUR MOD. CC AVEC 0,5£/1£)
	339887	NIS COIN-METER PLATE (FOR DUAL COIN-METER) (FOR MOD.CC 1NIS/5NIS)	PLACA MONEDERO NIS (PARA MONEDERO DOBLE) (PARA MOD.CC 1NIS/5NIS)	PLAQUE MONNAYEUR NIS (POUR MONNAYEUR DOUBLE) (POUR MOD.CC 1NIS/5NIS)
21	169169	COIN BOX UG400A GI (COIN CTRL MODELS ONLY)	CAJA MONEDAS UG400A GI (PARA MODELOS A COIN CONTROL)	BOITE MONNAIE UG400A GI (POUR MODELO COIN CONTROL)
22	322313	COIN BOX SUPPORT (COIN CTRL MODELS ONLY)	APOYO CAJON MONEDAS (PARA MODELOS A COIN CONTROL)	APPUI BOITE MONNAIE (POUR MODELO COIN CONTROL)
23	323659	COIN-METER F60 1W2004-M3 12VAC (FOR DUAL COIN-METER) (FOR MACHINES WITH 25C/1\$)	MONEDERO F60.1 0,25/1,00USD (PARA MONEDERO DOBLE) (PARA MODELOS CON 25C/1\$)	MONNAYEUR F60 1W2004-M3 12VAC (POUR MONNAYEUR DOUBLE) (POUR MACHINES AVEC 25C/1\$)
	326892	COIN-METER F60 1W2004-M3 12VAC (FOR DUAL COIN-METER) (FOR 240V)	MONEDERO F60.1 0,25/1,00CAD (PARA MONEDERO DOBLE) (PARA 240V)	MONNAYEUR F60,1 0,25/1,00CAD (POUR MONNAYEUR DOUBLE) (POUR 240V)
	323741	COIN-METER F60.1W2403/0.2/2EUR (FOR DUAL COIN-METER) (FOR MACHINES WITH C-20C/2EUR)	MONEDERO F60.1 0,20/2,00EUR (PARA MONEDERO DOBLE) (PARA MODELOS CON MON.20C/2EUR)	MONNAYEUR F60.1W2403/ 0.2/2EUR (POUR MONNAYEUR DOUBLE) (POUR MACHINES AVEC M.20C/2EUR)

N°	REF.	DENOMINATION	DENOMINACIÓN	DÉNOMINATION
	326835	COIN-METER F60.1 1,00/5,00ILS (FOR DUAL COIN-METER) (FOR MOD.CC 1NIS/5NIS)	MONEDERO F60.1 1,00/5,00ILS (PARA MONEDERO DOBLE) (PARA MOD.CC 1NIS/5NIS)	MONNAYEUR F60.1 1,00/5,00 ILS (POUR MONNAYEUR DOUBLE) (POUR MOD.CC 1NIS/5NIS)
	326769	COIN-METER F60.1 0,50/1,00 GBP (FOR DUAL COIN-METER) (FOR MOD. CC WITH 0,5£/1£)	MONEDERO F60.1 0,50/1,00GBP (PARA MONEDERO DOBLE) (PARA MOD. CC CON 0,5£/1£)	MONNAYEUR F60.1 0,50/1,00 GBP (POUR MONNAYEUR DOUBLE) (POUR MOD. CC AVEC 0,5£/1£)
	327353	COIN-METER EMP 500 (FOR PROGRAMMABLE COIN.METER) (FOR MODELS WITH EUR)	MONEDERO EMP 500 EUROS (PARA MONEDERO PROGRAMABLE) (PARA MODELOS CON EUR)	MANNAYEUR EMP 500 (POUR MONNAYEUR PROGRAMMABLE) (POUR MODELES AVEC EUR)
	411223	COIN-METER EMP 500 (FOR PROGRAMMABLE COIN.METER) (FOR MODELS WIHTOUT EUR)	MONEDERO EMP 500 NO EUROS (PARA MONEDERO PROGRAMABLE) (PARA MODELOS SIN EUR)	MANNAYEUR EMP 500 (POUR MONNAYEUR PROGRAMMABLE) (POUR MODELES SANS EUR)
24	323642	COIN-METER F60,11W2004-M112VAC (FOR SINGLE COIN METER) (FOR MACHINES CC WITH COIN 25C)	MONEDERO F60.11 0,25USD (PARA MONEDERO SIMPLE) (PARA MOD.CC CON MOND.25C)	MONNAYEUR F60.11W2004-M1 12VAC (POUR MONNAYEUR SIMPLE) (POUR MACHINES CC AVEC MO.25C)
	323733	COIN-METER F60.11W2000-TOKEN G (FOR SINGLE COIN METER) (FOR MACHINES WITH TOKEN GIR.)	MONEDERO F60.11 FICHA GIRBAU (PARA MONEDERO SIMPLE) (PARA MOD.CON FICHA GIRBAU)	MONNAYEUR F60.11W2000 JETON GI (POUR MONNAYEUR SIMPLE) (POUR MACHINES AVEC JETON GIR)
	326777	COIN-METER F60.11 100YEN (FOR SINGLE COIN METER) (FOR MOD.CC WITH COIN M.100 Y)	MONEDERO F60.11 100YEN (PARA MONEDERO SIMPLE) (PARA MOD.CC CON MON.100 YENS)	MONNAYEUR F60.11 100YEN (POUR MONNAYEUR SIMPLE) (POUR MOD.CC AVEC MON.100 YENS)
25	326124	OPTOISOLATOR FIXATION KIT	KIT FIJACION OPTOACOPLADOR	KIT FIXATION OPTOISOLATEUR
26	421156	POWER INPUT BOX	CAJA ENTRADA CORRIENTE	BOITE CONNEXION ALIM.
27	421164	POWER INPUT COVER	TAPA ENTRADA CORRIENTE	COUVERCLE CONNEXION ALIM.
28	421016	CONNECTION BOARD CURRENT INPUT	REGLETA ENTRADA CORRIENTE	REGLETTE ENTRÉE DE COURRANT
29	322750	SCREW FDS SF-M5X12PKS	TOR.CELO FT512FT85T M5X12	VIS.FDS SF-M5X12PKS
30	140418	CLAMP UNEX REF 1201	BRIDA UNEX 1201	BRIDE UNEX REF 1201
31	322701	RELAY OMROM G7L-2A-TUB 12VDC	RELE OMRON G7L-2A-TUB 12VDC	RELAIS OMROM G7L-2A-TUB 12VDC
32	322719	EXTERNAL DOSING CIRCUIT (FOR MACHINES WITH EXT.DOSING)	CIRCUITO DOSIFICACION EXTERIOR (PARA MODELOS CON DOSIF.EXTER)	CIRCUIT DOSAGE EXTERNE (POUR MACHINES AVEC DOSAGE EXT)
33	322727	CIRCUIT LCBS-4-4-01 BRACKET (FOR MACHINES WITH EXT.DOSING)	SOPORTE CIRCUITO LCBS-4-4-01 (PARA MODELOS CON DOSIF.EXTER)	SUPPORT CIRCUIT LCBS-4-4-01 (POUR MACHINES AVEC DOSAGE EXT)
34	321166	FERRITE SPLIT RFC-9	FERRITA SPLIT RFC-9	FERRITE SPLIT RFC-9
35	140244	NUT PG-13,5 (MS-610) (FOR MACHINES ELECTR.HEATING) (FOR 240V) (FOR 1PH 2000W) (FOR 200-208-220-230-240V) (FOR 1PH 4000)	TUERCA PG 281304 PG-13,5 (MS-610) (PARA MODELOS CALEFAC.ELECTR.) (PARA 240V) (PARA 1PH 2000W) (PARA 200-208-220-230-240V) (PARA 1PH 4000W)	ECROU PRESSE-ETOUPE PG-13,5 (MS-610) (POUR MACHINES CHAUF.ELECTR.) (POUR 240V) (POUR 1PH 2000W) (POUR 200-208-220-230-240V) (POUR 1PH 4000W)

N°	REF.	DENOMINATION	DENOMINACIÓN	DÉNOMINATION
		(FOR 380-400-415V) (FOR 3PH 6000W)	(PARA 380-400-415V) (PARA 3PH 6000W)	(POUR 380-400-415V) (POUR 3PH 6000W)
36	140111	STUFFING-BOX 601304 PG-13,5 (MS-610) (FOR MACHINES ELECTR.HEATING) (FOR 240V) (FOR 1PH 2000W) (FOR 200-208-220-230-240V) (FOR 1PH 4000) (FOR 380-400-415V) (FOR 3PH 6000W)	PRENSAES.NORMAD.601304 PG-13,5 (MS-610) (PARA MODELOS CALEFAC.ELECTR.) (PARA 240V) (PARA 1PH 2000W) (PARA 200-208-220-230-240V) (PARA 1PH 4000W) (PARA 380-400-415V) (PARA 3PH 6000W)	PRESSE-ETOUPE 601304 PG-13,5 (MS-610) (POUR MACHINES CHAUF.ELECTR.) (POUR 240V) (POUR 1PH 2000W) (POUR 200-208-220-230-240V) (POUR 1PH 4000W) (POUR 380-400-415V) (POUR 3PH 6000W)
37	129692	SELFBLOCKING NUT DIN985 M 3	TUER.AUTOBL.DIN985-8 BICR.M 3	ECROU AUTOBLOCANT DIN985 M 3
38	149484	BICR.WASHER B DIN125-ST 3,2	ARAN.B DIN125-ST BICR. 3,2	RONDELLE B.DIN125-ST BICR. 3,2
39	132043	SELFBLOCKING NUT DIN985 M 4	TUER.AUTOBL.DIN985-8 BICR.M 4	ECROU AUTOBLOCANT DIN985 M 4
40	149476	BICR.WASHER B DIN125-ST 4,3	ARAN.B DIN125-ST BICR. 4,3	RONDELLE B DIN125-ST BICR.4,3
41	322784	PRESSURE TRANSMITTER 400.95100	TRANSM.PRESION HUBA 400.95100	PRESSOSTAT HUBA 400.95100
42	342204	SET 200...240V (FOR MACHINES ELECTR.HEATING) (FOR 3PH 6000W) (FOR 200-208-220-230-240V)	COMPLEMENTO 200...240V (PARA MODELOS CALEFAC.ELECTR.) (PARA 3PH 6000W) (PARA 200-208-220-230-240V)	ENSEMBLE 200...240V (POUR MACHINES CHAUF.ELECTR.) (POUR 3PH 6000W) (POUR 200-208-220-230-240V)
43	342238	POWER BRIDGE WIRE (FOR MACHINES ELECTR.HEATING)	CABLE PUENTE ALIMENTACION (PARA MODELOS CALEFAC.ELECTR.)	CABLE PONT ALIMENTATION (POUR MACHINES CHAUF.ELECTR.)
44	342212	HEATING SET 6000W (FOR MACHINES ELECTR.HEATING)	COMPLEMENTO CALEF. 6000W (PARA MODELOS CALEFAC.ELECTR.)	ENSEMBLE CHAUF. 6000W (POUR MACHINES CHAUF.ELECTR.)
45	263434	WASHER 32X21X0,8 (MS-610) (FOR MACHINES ELECTR.HEATING) (FOR 240V) (FOR 1PH 2000W) (FOR 200-208-220-230-240V) (FOR 1PH 4000) (FOR 380-400-415V) (FOR 3PH 6000W)	ARANDELA 32X21X0,8 (MS-610) (PARA MODELOS CALEFAC.ELECTR.) (PARA 240V) (PARA 1PH 2000W) (PARA 200-208-220-230-240V) (PARA 1PH 4000W) (PARA 380-400-415V) (PARA 3PH 6000W)	RONDELLE 32X21X0,8 (MS-610) (POUR MACHINES CHAUF.ELECTR.) (POUR 240V) (POUR 1PH 2000W) (POUR 200-208-220-230-240V) (POUR 1PH 4000W) (POUR 380-400-415V) (POUR 3PH 6000W)
46	341412	PROCESSOR BOARD FIXATION BOLT (FOR TOP DISPENSER)	TURRION FIJACION PLACA MICRO (PARA DOSIFICADOR SUPERIOR)	BULON FIXATION PLAQUE MICROPR. (POUR BAC A PRODUITS SUPERIEUR)
47	341453	PROCESSOR BOARD FIXATION NUT (FOR TOP DISPENSER)	TUERCA FIJACION PLACA MICRO (PARA DOSIFICADOR SUPERIOR)	ECROU FIXATION PLAQUE MICROPR. (POUR BAC A PRODUITS SUPERIEUR)
48	341388	PROCESSOR BOARD FIXATION PLATE (FOR TOP DISPENSER)	CHAPA FIJACION PLACA MICRO (PARA DOSIFICADOR SUPERIOR)	PLAQUE FIXATION MICROPROCES. (POUR BAC A PRODUITS SUPERIEUR)

N°	REF.	DENOMINATION	DENOMINACIÓN	DÉNOMINATION
49	342220	HARNESS	CABLEADO ELECTRICO	CABLAGE
50	327056	WHIRES PROTECTION SHR-20-PPB	FUNDA CABLES SHR-20-PPB	PROTECTION CABLES SHR-20-PPB
51	199893	CLAMP STL-450-3-01	ABRAZADERA STL-450-3-01	BRIDE STL-450-3-01
52	322453	COIN-METER 2 PLUG (FOR DUAL COIN-METER)	CONECTORA 2 MONEDERO (PARA MONEDERO DOBLE)	CONNECTEUR 2 MONNAYEURS (POUR MONNAYEUR DOUBLE)
	322461	COIN-METER 1 PLUG (FOR SINGLE COIN METER)	CONECTORA 1 MONEDERO (PARA MONEDERO SIMPLE)	CONNECTEUR 1 MONNAYEUR (POUR MONNAYEUR SIMPLE)
53	342246	DUOBLE HEATING HARNESS (FOR MACHINES ELECTR.HEATING)	INST. ELEC. CALEFACCION DOBLE (PARA MODELOS CALEFAC.ELECTR.)	CABLAGE CHAUFFAGE DOUBLE (POUR MACHINES CHAUF.ELECTR.)
54	411678	COIN-METER PLUG (FOR MACHINES WITH PLATE)	CONECTORA MONEDERO (PARA MODELOS CON PLACA CIEGA)	CONNECTEUR MONNAYEUR (POUR MACHINES AVEC PLAQUE)
55	411736	PLATE (FOR MACHINES WITH PLATE) (COIN CTRL MODELS ONLY)	PLACA CIEGA (PARA MODELOS CON PLACA CIEGA) (PARA MODELOS A COIN CONTROL)	PLAQUE (POUR MACHINES AVEC PLAQUE) (POUR MODELO COIN CONTROL)
56	140236	COUNTERNUT PG-11 (EM025 120V USA/CAN) (MS-610) (FOR MACHINES HEATING WITHOUT) (FOR 120/200/208/220/230/240V) (FOR SINGLE-PHASE)	TUERCA PG 281104 PG-11 (EM025 120V USA/CAN) (MS-610) (PARA MODELOS SIN CALEFACCION) (PARA 120/200/208/220/230/240V) (PARA MONOFASICO)	CONTREECROU PG-11 (EM025 120V USA/CAN) (MS-610) (POUR MACHINES SENS CHAUFAGE) (POUR 120/200/208/220/230/240V) (POUR MONOPHASE)
57	412312	WASHER 31X18,5X0,8 (EM025 120V USA/CAN) (MS-610) (FOR MACHINES HEATING WITHOUT) (FOR 120/200/208/220/230/240V) (FOR SINGLE-PHASE)	ARANDELA 31X18,5X0,8 (EM025 120V USA/CAN) (MS-610) (PARA MODELOS SIN CALEFACCION) (PARA 120/200/208/220/230/240V) (PARA MONOFASICO)	RONDELLE 31X18,5X0,8 (EM025 120V USA/CAN) (MS-610) (POUR MACHINES SENS CHAUFAGE) (POUR 120/200/208/220/230/240V) (POUR MONOPHASE)
58	140103	STUFFING-BOX PG-11 (EM025 120V USA/CAN) (MS-610) (FOR MACHINES HEATING WITHOUT) (FOR 120/200/208/220/230/240V) (FOR SINGLE-PHASE)	PRENSAES.NORMADIX 601104 PG-11 (EM025 120V USA/CAN) (MS-610) (PARA MODELOS SIN CALEFACCION) (PARA 120/200/208/220/230/240V) (PARA MONOFASICO)	PRESSE-ETOUPE PG-11 (EM025 120V USA/CAN) (MS-610) (POUR MACHINES SENS CHAUFAGE) (POUR 120/200/208/220/230/240V) (POUR MONOPHASE)
59	327668	ELECTRIC CORD SJT 1,6M (EM025 120V USA/CAN)	CORDON ELECTRICO SJT 1,6M. (EM025 120V USA/CAN)	CORDON ELECTRIQUE SJT 1,6M (EM025 120V USA/CAN)
60	326843	MICROPROCESSOR PLATE COVER	TAPA PLACA MICROPROCESADOR	COUVERCLE PLAQUE MICROPROSSEUR
61	327908	PUSH-BUTTON PLATE (FOR MOD. CC-CP)	PLACA PULSADOR (PARA MOD. CC-CP)	PLAQUE PULSATEUR (POUR MOD. CC-CP)
62	138339	PUSH-BUTTON 2WIXII/5518 (FOR MOD. CC-CP)	PULSADOR 2WIXII/5518 (PARA MOD. CC-CP)	BOUTON-POUSSOIR 2WIXII/5518 (POUR MOD. CC-CP)
63	340158	START-STOP PLATE (FOR MOD. CC-CP)	PLACA MARCHA-PARO CP (PARA MOD. CC-CP)	PLAQUE MARCHE-ARRET (POUR MOD. CC-CP)
64	420778	VENDING ADAPTER PLUG (FOR MOD. CC-TC)	CONECTORA ADAPTADOR VENDING (PARA MOD. CC-TC)	CONNECTEUR ADAPTEUR VENDING (POUR MOD. CC-TC)

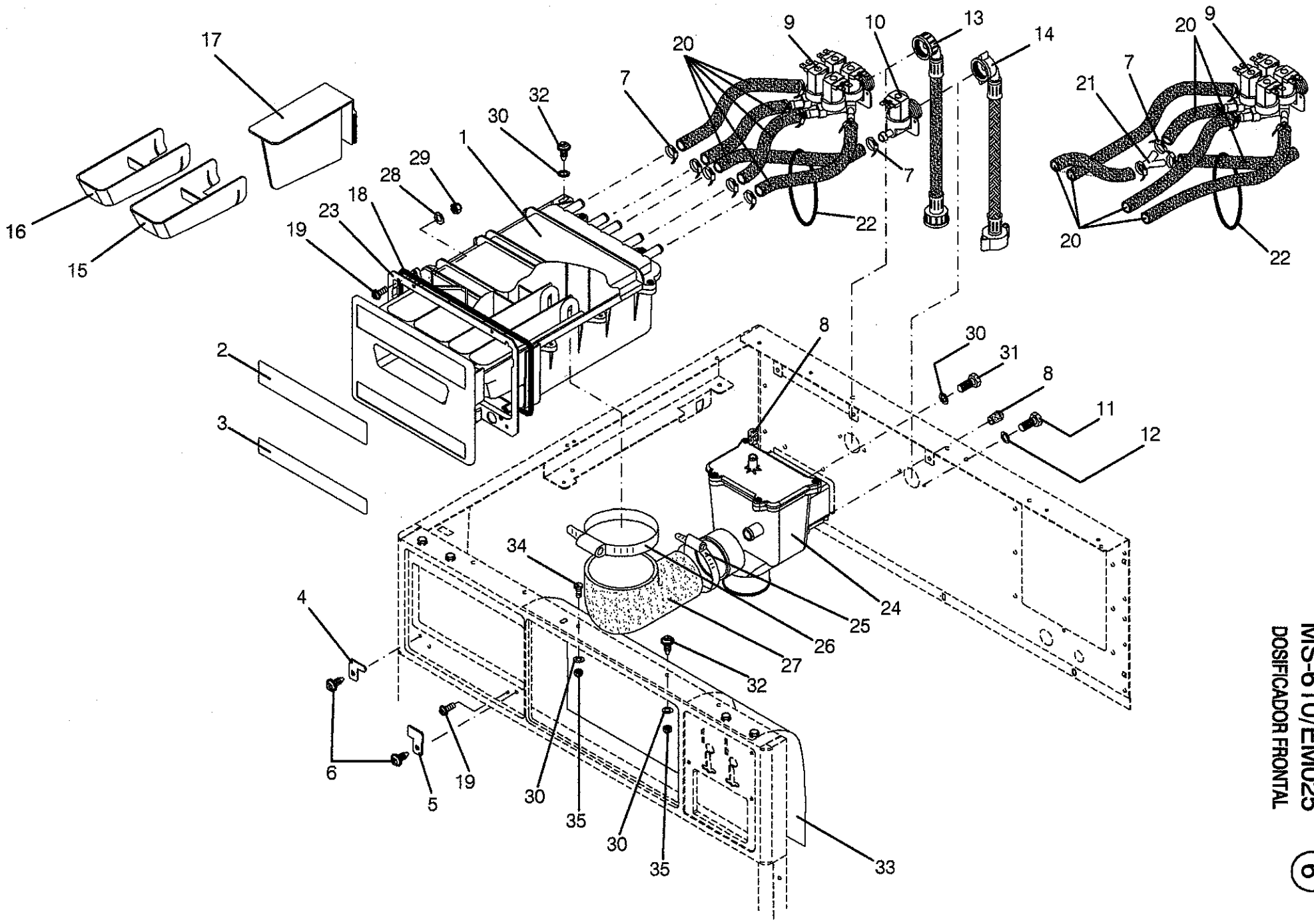
N°	REF.	DENOMINATION	DENOMINACIÓN	DÉNOMINATION
65	140434	CLAMP 2221 (FOR MOD. CC-TC) (LOGI CTRL MODELS ONLY) (FOR FRONT DISPENSER)	BRIDA UNEX 2221 (PARA MOD. CC-TC) (PARA MODELOS A LOGI CONTROL) (PARA DOSIFICADOR FRONTAL)	BRIDE 2221 (POUR MOD. CC-TC) (POUR MODELE LOGI CONTROL) (POUR BAC A PRODUITS FRONTAL)
66	339929	SAFETY INSTR.PLATE EN	PLACA INSTR. SEGURIDAD IN.	PLAQUE INSTR SECURITE EN
	339911	SAFETY INSTR.PLATE ES	PLACA INSTR. SEGURIDAD ES.	PLAQUE INSTR SECURITE ES
	339937	SAFETY INSTR.PLATE FR	PLACA INSTR. SEGURIDAD FR.	PLAQUE INSTR SECURITE FR
	340398	SAFETY INSTR.PLATE NO	PLACA INSTR. SEGURIDAD NO.	PLAQUE INSTR SECURITE NO
	339945	SAFETY INSTR.PLATE DE	PLACA INSTR. SEGURIDAD AL.	PLAQUE INSTR SECURITE DE
	339952	SAFETY INSTR.PLATE IT	PLACA INSTR. SEGURIDAD IT.	PLAQUE INSTR SECURITE IT
	340406	SAFETY INSTR.PLATE EL	PLACA INSTR. SEGURIDAD GR.	PLAQUE INSTR SECURITE EL
	340414	SAFETY INSTR.PLATE NL	PLACA INSTR. SEGURIDAD HO.	PLAQUE INSTR SECURITE NL
	340422	SAFETY INSTR.PLATE FI	PLACA INSTR. SEGURIDAD FI.	PLAQUE INSTR SECURITE FI
	340430	SAFETY INSTR.PLATE SV	PLACA INSTR. SEGURIDAD SU.	PLAQUE INSTR SECURITE SV
	340455	SAFETY INSTR.PLATE PT	PLACA INSTR. SEGURIDAD PO.	PLAQUE INSTR SECURITE PT
	340471	SAFETY INSTR.PLATE DA	PLACA INSTR. SEGURIDAD DA.	PLAQUE INSTR SECURITE DA
	340448	SAFETY INSTR.PLATE JA	PLACA INSTR. SEGURIDAD JA.	PLAQUE INSTR SECURITE DA
67	339960	START-STOP PLATE (LOGI CTRL MODELS ONLY) (FOR TOP DISPENSER)	PLACA MARCHA-PARO (PARA MODELOS A LOGI CONTROL) (PARA DOSIFICADOR SUPERIOR)	PLAQUE MARCHE-ARRET (POUR MODELE LOGI CONTROL) (POUR BAC A PRODUITS SUPERIEUR)
68	140251	COUNTERNUT PG-16 (MS-610) (FOR MACHINES ELECTR.HEATING) (FOR 200-208-220-230-240V) (FOR 1PH 6000W) (FOR 200-208-220-230-240V) (FOR 3PH 6000W)	TUERCA PG 281604 PG-16 (MS-610) (PARA MODELOS CALEFAC.ELECTR.) (PARA 200-208-220-230-240V) (PARA 1PH 6000W) (PARA 200-208-220-230-240V) (PARA 3PH 6000W)	CONTREECROU PG-16 (MS-610) (POUR MACHINES CHAUF.ELECTR.) (POUR 200-208-220-230-240V) (POUR 1PH 6000W) (POUR 200-208-220-230-240V) (POUR 3PH 6000W)
69	140129	STUFFING-BOX PG-16 (MS-610) (FOR MACHINES ELECTR.HEATING) (FOR 200-208-220-230-240V) (FOR 1PH 6000W) (FOR 200-208-220-230-240V) (FOR 3PH 6000W)	PRENSAES.NORMADIX 601604 PG-16 (MS-610) (PARA MODELOS CALEFAC.ELECTR.) (PARA 200-208-220-230-240V) (PARA 1PH 6000W) (PARA 200-208-220-230-240V) (PARA 3PH 6000W)	PRESSE-ETOUPE PG-16 (MS-610) (POUR MACHINES CHAUF.ELECTR.) (POUR 200-208-220-230-240V) (POUR 1PH 6000W) (POUR 200-208-220-230-240V) (POUR 3PH 6000W)
70	430223	EXTERNAL DOSING WIRE (EM025)	CABLE DOSIFICACION EXT. (EM025)	CABLE DOSAGE EXTERNE (EM025)

MS-610 430264A 5H

N°	REF.	DENOMINATION
71	423202	FILTER EMC MS-610
72	332601	SHEATH-LODGING DGB-7

DENOMINACIÓN
FILTRO EMC MS-610
PASAMUROS DGB-7

DÉNOMINATION
FILTRE EMC MS-610
LOGEMENT DGB-7

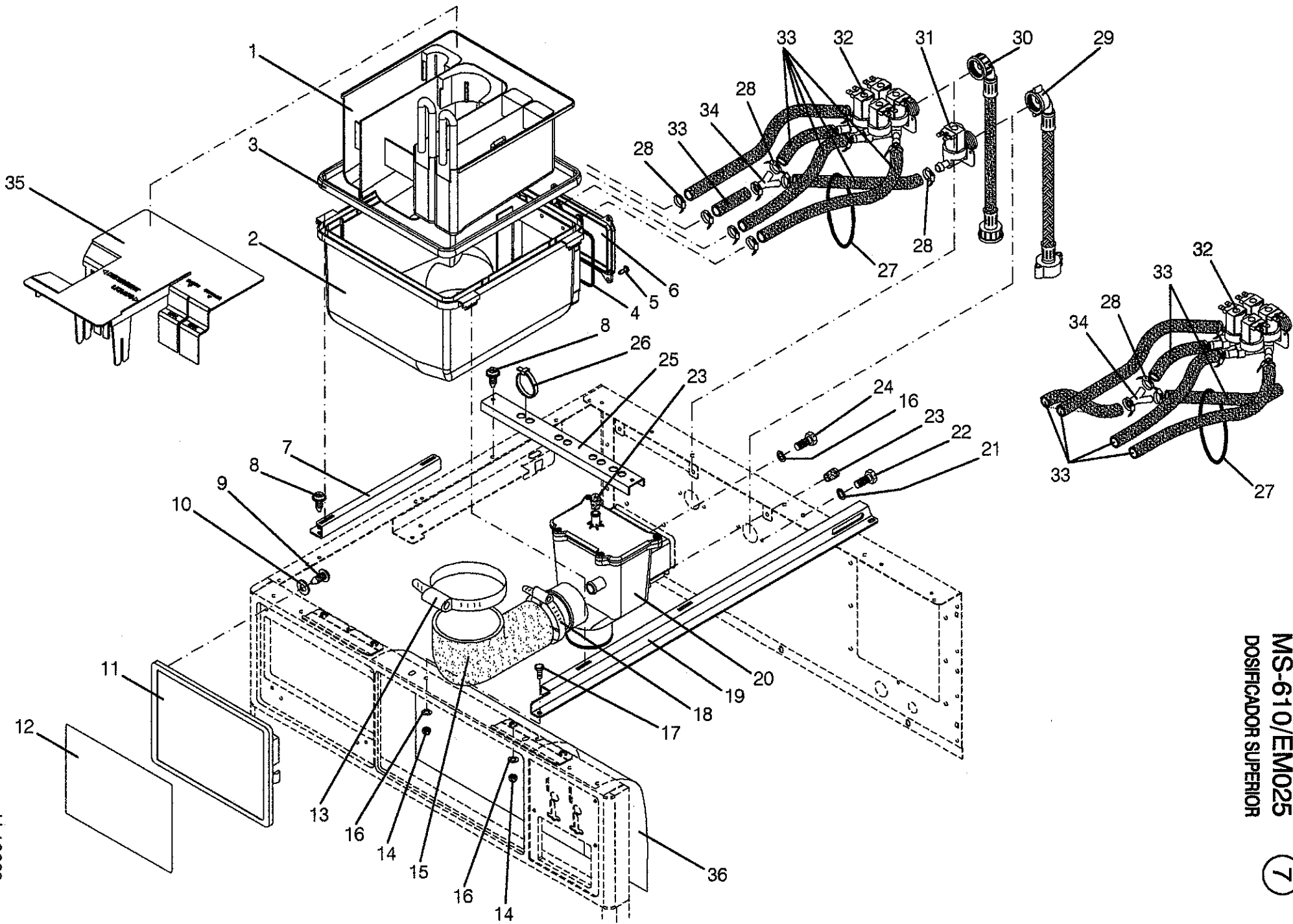


MS-610/EM025
DOSIFICADOR FRONTAL

N°	REF.	DENOMINATION	DENOMINACIÓN	DÉNOMINATION
		FRONT SOAP DISPENSER	DOSIFICADOR FRONTAL	BAC A PRODUITS FRONTAL
1	339135	SOAP DISPENSER SET	CONJUNTO DOSIFICADOR	ENSEMBLE BAC A PRODUITS
	339101	ASPIRATION HOSE	TUBO ASPIRACION	TUBE ASPIRATION
	333054	ANTISPLASH	ANTISALPICADERO	ANTIECLABOUSSEMENT
	339184	PRODUCT DISTRIBUTOR	DISTRIBUIDOR PRODUCTOS	DISTRIBUTEUR DE PRODUITS
	327833	WATER INLET HOOD	CAPUCHON ENTRADA AGUA	POCHE ENTREE EAU
	327825	WATER INLET RACCORD	RACOR ENTRADA AGUA	RACCORD ENTREE EAU
2	339804	SOAP DISPENSER PLATE ES	PLACA DOSIFICADOR ES.	PLAQUE BAC A PRODUITS ES
	339812	SOAP DISPENSER PLATE IN	PLACA DOSIFICADOR IN.	PLAQUE BAC A PRODUITS IN
	340091	SOAP DISPENSER PLATE USA/CAN (EM025 COIN CONTROL)	PLACA DOSIFICADOR USA/CAN (EM025 COIN CONTROL)	PLAQUE BAC A PRODUITS USA/CAN (EM025 COIN CONTROL)
	339820	SOAP DISPENSER PLATE FR	PLACA DOSIFICADOR FR.	PLAQUE BAC A PRODUITS FR
	340257	SOAP DISPENSER PLATE NO	PLACA DOSIFICADOR NO.	PLAQUE BAC A PRODUITS NO
	339838	SOAP DISPENSER PLATE DE	PLACA DOSIFICADOR AL.	PLAQUE BAC A PRODUITS DE
	339846	SOAP DISPENSER PLATE IT	PLACA DOSIFICADOR IT.	PLAQUE BAC A PRODUITS IT
	340265	SOAP DISPENSER PLATE EL	PLACA DOSIFICADOR GR.	PLAQUE BAC A PRODUITS EL
	340273	SOAP DISPENSER PLATE NL	PLACA DOSIFICADOR HO.	PLAQUE BAC A PRODUITS NL
	340281	SOAP DISPENSER PLATE FI	PLACA DOSIFICADOR FI.	PLAQUE BAC A PRODUITS FI
	340299	SOAP DISPENSER PLATE SV	PLACA DOSIFICADOR SU.	PLAQUE BAC A PRODUITS SV
	340307	SOAP DISPENSER PLATE JA	PLACA DOSIFICADOR JA.	PLAQUE BAC A PRODUITS JA
	340240	SOAP DISPENSER PLATE DA	PLACA DOSIFICADOR DA.	PLAQUE BAC A PRODUITS DA
	340315	SOAP DISPENSER PLATE PT	PLACA DOSIFICADOR PO.	PLAQUE BAC A PRODUITS PT
3	339754	SOAP DISPENSER INST.PLATE ES	PLACA INSTR.DOSIFICADOR ES.	PLAQUE INSTR.BAC A PRODUITS ES
	339762	SOAP DISPENSER INST.PLATE EN	PLACA INSTR.DOSIFICADOR IN.	PLAQUE INSTR.BAC A PRODUITS EN
	339770	SOAP DISPENSER INST.PLATE FR	PLACA INSTR.DOSIFICADOR FR.	PLAQUE INSTR.BAC A PRODUITS FR
	340174	SOAP DISPENSER INST.PLATE NO	PLACA INSTR.DOSIFICADOR NO.	PLAQUE INSTR.BAC A PRODUITS NO
	339788	SOAP DISPENSER INST.PLATE DE	PLACA INSTR.DOSIFICADOR AL.	PLAQUE INSTR.BAC A PRODUITS DE
	339796	SOAP DISPENSER INST.PLATE IT	PLACA INSTR.DOSIFICADOR IT.	PLAQUE INSTR.BAC A PRODUITS IT
	340182	SOAP DISPENSER INST.PLATE EL	PLACA INSTR.DOSIFICADOR GR.	PLAQUE INSTR.BAC A PRODUITS EL

N°	REF.	DENOMINATION	DENOMINACIÓN	DÉNOMINATION
	340190	SOAP DISPENSER INST.PLATE NL	PLACA INSTR.DOSIFICADOR HO.	PLAQUE INSTR.BAC A PRODUITS NL
	340208	SOAP DISPENSER INST.PLATE FI	PLACA INSTR.DOSIFICADOR FI.	PLAQUE INSTR.BAC A PRODUITS FI
	340216	SOAP DISPENSER INST.PLATE CV	PLACA INSTR.DOSIFICADOR SU.	PLAQUE INSTR.BAC A PRODUITS SV
	340224	SOAP DISPENSER INST.PLATE JA	PLACA INSTR.DOSIFICADOR JA.	PLAQUE INSTR.BAC A PRODUITS JA
	340166	SOAP DISPENSER INST.PLATE DA	PLACA INSTR.DOSIFICADOR DA.	PLAQUE INSTR.BAC A PRODUITS DA
	340232	SOAP DISPENSER INST.PLATE PT	PLACA INSTR.DOSIFICADOR PO.	PLAQUE INSTR.BAC A PRODUITS PT
4	321828	SOAP DISPENSER PIECE	TOPE DOSIFICADOR	ARRÊT BAC A PRODUITS
5	326595	SOAP DISPENSER PIECE	TOPE DOSIFICADOR	ARRÊT BAC A PRODUITS
6	320911	INOX FDS SF-M5X12PKS SCREW	TOR.FTX512FT85T INOX A2 M5X12	VIS FDS.SF-M5X12PKS TORX INOX
7	155150	CLAMP 301502-0 D12-20	ABRAZADERA 8-16	BRIDE 301502-0 D12-20
8	156679	CONICAL END-PIECE R-16 D10	TOPE CONICO REPRIMSA R-16 D10	BOUCHON CONIQUE R-16 D10
9	323311	4 TRACK ELECTROVALVE 389 180°C	ELECTROV.CUADRUPLE 389 180°	ELECTROVANNE 4 VOIES 389 180°C
	332296	COIL 255043000000 12VCC	BOBINA 255043000000 12VCC	BOBINE 255043000000 12VCC
	300194	YELLOW CASE 30053	ESTUCHE AMARILLO 30053	BOITE JAUNE 30053
	300202	INTEGRAL GUIDE-MEMBRANE 30696	MEMBRANA-GUIA INTEGRAL 30696	MEMBRANE-GUIDE INTEGRALE 30696
	344234	4 TRACK ELECTROVALVE (EM025 COIN CONTROL)	ELECTROVALVULA CUATRO VIAS (EM025 COIN CONTROL)	ELECTROVANNE 4 VOIES (EM025 COIN CONTROL)
	332296	COIL 255043000000 12VCC	BOBINA 255043000000 12VCC	BOBINE 255043000000 12VCC
	300194	YELLOW CASE 30053	ESTUCHE AMARILLO 30053	BOITE JAUNE 30053
	300202	INTEGRAL GUIDE-MEMBRANE 30696	MEMBRANA-GUIA INTEGRAL 30696	MEMBRANE-GUIDE INTEGRALE 30696
10	323329	SIMPLE ELECTROVALVE 389 180 C	ELECTROV.SIMPLE 329 180S	ELECTROVANNE SIMPLE 389 180°C
	332296	COIL 255043000000 12VCC	BOBINA 255043000000 12VCC	BOBINE 255043000000 12VCC
	300194	YELLOW CASE 30053	ESTUCHE AMARILLO 30053	BOITE JAUNE 30053
	300202	INTEGRAL GUIDE-MEMBRANE 30696	MEMBRANA-GUIA INTEGRAL 30696	MEMBRANE-GUIDE INTEGRALE 30696
11	146258	BIC.HEX SCREW DIN933-4.8 M4X10	TOR.EX.DIN933-4.8 BICR.M 4X 10	VIS HEX DIN933-4.8 BICR.M 4X10
12	149476	BICR.WASHER B DIN125-ST 4,3	ARAN.B DIN125-ST BICR. 4,3	RONDELLE B DIN125-ST BICR.4,3
13	323477	WATER INLET AF DI10MM L1,5M	TUBO ENTRADA AF DI10MM L1,5M	FLEXIBLE ENTRÉE AFDI10MM L1,5M
14	323493	WATER INLET AC DI10MM L1,5M	TUBO ENTRADA AC DI10MM L1,5M	FLEXIBLE ENTRÉE ACDI10MM L1,5M
15	327262	WASH SOAP DISPENSER (EM025 LOGI CONTROL)	DOSIFICADOR LAVADO (EM025 LOGI CONTROL)	BAC A PRODUITS LAVAGE (EM025 LOGI CONTROL)

N°	REF.	DENOMINATION	DENOMINACIÓN	DÉNOMINATION
16	327635	PREWASH SOAP DISPENSER (EM025)	DOSIFICADOR PRELAVADO (EM025)	BAC A PRODUITS PRELAVAGE (EM025)
17	332379	WASH LEAD (EM025 COIN CONTROL)	TAPA LAVADO (EM025 COIN CONTROL)	COUVERCLE LAVAGE (EM025 COIN CONTROL)
18	341040	FRONT SOAP DISPENSER GASKET	JUNTA DOSIFICADOR FRONTAL	JOINT BAC A PRODUITS FRONTAL
19	328062	INOX SCREW PT K40X16WN1451-TOR	TOR.CELO 416RFX87T INOXA2 4X16	VIS PT K40X16WN1451-TORX INOX
20	323469	HOSE PARIGI D10XD16 WRC	TUBO PARIGI D10XD16 WRC	TUBE PARIGI D10XD16 WRC
21	152165	BRANCH (EM025 COIN CONTROL)	BIFURCACION (EM025 COIN CONTROL)	BIFURCATION (EM025 COIN CONTROL)
22	193995	TORIC GASKET 65X71X3	JUNTA TORICA 65X71X3	JOINT TORIQUE 65X71X3
23	340976	GASKET SOAP DISPENSER FRAME	MARCO JUNTA DOSIFICADOR	CADRE JOINT BAC A PRODUITS
24	339341	DISTRIBUTOR SET	CONJUNTO DISTRIBUIDOR	ENSEMBLE DISTRIBUTEUR
25	132290	CLAMP 301508-9 D50-70	ABRAZADERA 50-70	BRIDE 301508-9 D50-70
26	132340	CLAMP 301510-0 D80-100	ABRAZADERA 80-100	BRIDE 301510-0 D80-100
27	339556	DISPENSER HOLE	TUBO DOSIFICADOR	TUBE BAC A PRODUITS
28	149484	BICR.WASHER B DIN125-ST 3,2	ARAN.B DIN125-ST BICR. 3,2	RONDELLE B.DIN125-ST BICR. 3,2
29	129692	SELFBLOCKING NUT DIN985 M 3	TUER.AUTOBL.DIN985-8 BICR.M 3	ECROU AUTOBLOCANT DIN985 M 3
30	149534	BICR.WASHER B DIN125-ST 5,3	ARAN.B DIN125-ST BICR. 5,3	RONDELLE B BICR.DIN125-ST 5,3
31	146274	BICR.HEX SCREW DIN933-8 M-5X10	TOR.EX.DIN933-8.8 BICR.M 5X 10	VIS HEX.BICR.DIN933-8.8 M-5X10
32	322750	SCREW FDS SF-M5X12PKS	TOR.CELO FT512FT85T M5X12	VIS.FDS SF-M5X12PKS
33	430959	MICROPROCESSOR PLATE COVER (COIN CTRL MODELS ONLY)	TAPA PLACA MICROPROCESADOR (PARA MODELOS A COIN CONTROL)	COUVERCLE PLAQUE MICROPROCES. (POUR MODELO COIN CONTROL)
	430967	MICROPROCESSOR PLATE COVER (LOGI CTRL MODELS ONLY)	TAPA PLACA MICROPROCESADOR (PARA MODELOS A LOGI CONTROL)	COUVERCLE PLAQUE MICROPROCES. (POUR MODELE LOGI CONTROL)
34	327064	BICR.HEX SCREW DIN933-8 M5X 12	TOR.EX.DIN933-8.8 BICR.M 5X 12	VIS.HEX.DIN933-8.8 BICR.M5X 12
35	176826	SELF-BLOCKING NUT DIN 985 M-5	TUER.AUTOBL.DIN985-8 BICR.M 5	ECROU AUTOBLOCANT DIN 985 M-5



MS-610/EM025
 DOSIFICADOR SUPERIOR

N°	REF.	DENOMINATION	DENOMINACIÓN	DÉNOMINATION
		UPPER SOAP DISPENSER	DOSIFICADOR SUPERIOR	BAC A PRODUITS
1	328641	DISTRIBUTOR ASSEMBLY	CONJUNTO DISTRIBUIDOR	ENSEMBLE DISTRIBUTEUR
	339598	ASPIRATION HOSE	TUBO ASPIRACION	TUBE ASPIRATION
2	321331	SOAP DISPENSER BODY	CUERPO DOSIFICADOR	CORPS BAC A PRODUITS
3	321430	SOAP DISPENSER GASKET	JUNTA DOSIFICADOR	JOINT BACS A PRODUITS
4	326868	FOAM SILICONE CORD D3	CORDON SILICONA ESPONJOSA D4	CORD SILICONE EPONGE D3
5	326660	SCREW PT K40X12 WN1451-TORX	TOR.CELO 412RFX87T INOXA2 4X12	VIS PT K40X12 WN1451-TORX
6	333559	OVERFLOW COVER	TAPA REBOSADERO	COUVERCLE DEVERSOIR
7	423392	TOP SOPA DISPENSER BRACKET	SOPORTE DOSIFICADOR SUPERIOR	SUPPORT BAC A PRODUITS SUPER.
8	322750	SCREW FDS SF-M5X12PKS	TOR.CELO FT512FT85T M5X12	VIS.FDS SF-M5X12PKS
9	339374	SCREW RF81T 4X8	TOR.CELO RF81T 4X8	VIS RF81T 4X8
10	287920	WASHER 14X4,5X2	ARANDELA 14X4,5X2	RONDELLE 14X4,5X2
11	339150	CONTROL PANEL PLATE	CARATULA PANEL DE MANDOS	PLAQUE TABLEAU DE COMMANDES
12	340034	SAFETY INSTR.PLATE ES	PLACA INSTR. SEGURIDAD ES.	PLAQUE INSTR SECURITE ES
	340042	SAFETY INSTR.PLATE EN	PLACA INSTR. SEGURIDAD IN.	PLAQUE INSTR SECURITE EN
	340059	SAFETY INSTR.PLATE FR	PLACA INSTR. SEGURIDAD FR.	PLAQUE INSTR SECURITE FR
	339903	SAFETY INSTR.PLATE NO	PLACA INSTR. SEGURIDAD NO.	PLAQUE INSTR SECURITE NO
	340067	SAFETY INSTR.PLATE DE	PLACA INSTR. SEGURIDAD AL.	PLAQUE INSTR SECURITE DE
	340075	SAFETY INSTR.PLATE IT	PLACA INSTR. SEGURIDAD IT.	PLAQUE INSTR SECURITE IT
	340323	SAFETY INSTR.PLATE EL	PLACA INSTR. SEGURIDAD GR.	PLAQUE INSTR SECURITE EL
	340331	SAFETY INSTR.PLATE NL	PLACA INSTR. SEGURIDAD HO.	PLAQUE INSTR SECURITE NL
	340349	SAFETY INSTR.PLATE FI	PLACA INSTR. SEGURIDAD FI.	PLAQUE INSTR SECURITE FI
	340356	SAFETY INSTR.PLATE SV	PLACA INSTR. SEGURIDAD SU.	PLAQUE INSTR SECURITE SV
	340364	SAFETY INSTR.PLATE JA	PLACA INSTR. SEGURIDAD JA.	PLAQUE INSTR SECURITE JA
	340372	SAFETY INSTR.PLATE PT	PLACA INSTR. SEGURIDAD PO.	PLAQUE INSTR SECURITE PT
	340380	SAFETY INSTR.PLATE DA	PLACA INSTR. SEGURIDAD DA.	PLAQUE INSTR SECURITE DA
13	132340	CLAMP 301510-0 D80-100	ABRAZADERA 80-100	BRIDE 301510-0 D80-100
14	176826	SELF-BLOCKING NUT DIN 985 M-5	TUER.AUTOBL.DIN985-8 BICR.M 5	ECROU AUTOBLOCANT DIN 985 M-5
15	339358	TOP SOAP DISPENSER HOSE	TUBO DOSIFICADOR SUPERIOR	TUBE BAC A PRODUITS SUPERIEUR

N°	REF.	DENOMINATION	DENOMINACIÓN	DÉNOMINATION
16	149534	BICR.WASHER B DIN125-ST 5,3	ARAN.B DIN125-ST BICR. 5,3	RONDELLE B BICR.DIN125-ST 5,3
17	327064	BICR.HEX SCREW DIN933-8 M5X 12	TOR.EX.DIN933-8.8 BICR.M 5X 12	VIS.HEX.DIN933-8.8 BICR.M5X 12
18	132290	CLAMP 301508-9 D50-70	ABRAZADERA 50-70	BRIDE 301508-9 D50-70
19	427153	TOP SOAP DISPENSER BRACKET	SOPORTE DOSIFICADOR SUPERIOR	SUPPORT BAC A PRODUTIS SUPER.
20	339341	DISTRIBUTOR SET	CONJUNTO DISTRIBUIDOR	ENSEMBLE DISTRIBUTEUR
21	149476	BICR.WASHER B DIN125-ST 4,3	ARAN.B DIN125-ST BICR. 4,3	RONDELLE B DIN125-ST BICR.4,3
22	146258	BIC.HEX SCREW DIN933-4.8 M4X10	TOR.EX.DIN933-4.8 BICR.M 4X 10	VIS HEX DIN933-4.8 BICR.M 4X10
23	156679	CONICAL END-PIECE R-16 D10	TOPE CONICO REPRIMSA R-16 D10	BOUCHON CONIQUE R-16 D10
24	146274	BICR.HEX SCREW DIN933-8 M-5X10	TOR.EX.DIN933-8.8 BICR.M 5X 10	VIS HEX.BICR.DIN933-8.8 M-5X10
25	423418	HOSE FIXATION PIECE	PERFIL FIJACION TUBOS	PIECE FIXATION TUBES
26	140525	CLAMP 2244-0	BRIDA UNEX 2244-0	BRIDE 2244-0
27	341545	TORIC GASKET 150X158X4	JUNTA TORICA 150X158X4	JOINT TORIQUE 150X158X4
28	155150	CLAMP 301502-0 D12-20	ABRAZADERA 8-16	BRIDE 301502-0 D12-20
29	323493	WATER INLET AC DI10MM L1,5M	TUBO ENTRADA AC DI10MM L1,5M	FLEXIBLE ENTRÉE AC DI10MM L1,5M
30	323477	WATER INLET AF DI10MM L1,5M	TUBO ENTRADA AF DI10MM L1,5M	FLEXIBLE ENTRÉE AFDI10MM L1,5M
31	323329	SIMPLE ELECTROVALVE 389 180 C	ELECTROV.SIMPLE 329 180S	ELECTROVANNE SIMPLE 389 180°C
	332296	COIL 255043000000 12VCC	BOBINA 255043000000 12VCC	BOBINE 255043000000 12VCC
	300194	YELLOW CASE 30053	ESTUCHE AMARILLO 30053	BOITE JAUNE 30053
	300202	INTEGRAL GUIDE-MEMBRANE 30696	MEMBRANA-GUIA INTEGRAL 30696	MEMBRANE-GUIDE INTEGRALE 30696
32	323311	4 TRACK ELECTROVALVE 389 180°C	ELECTROV.CUADRUPLE 389 180°	ELECTROVANNE 4 VOIES 389 180°C
	332296	COIL 255043000000 12VCC	BOBINA 255043000000 12VCC	BOBINE 255043000000 12VCC
	300194	YELLOW CASE 30053	ESTUCHE AMARILLO 30053	BOITE JAUNE 30053
	300202	INTEGRAL GUIDE-MEMBRANE 30696	MEMBRANA-GUIA INTEGRAL 30696	MEMBRANE-GUIDE INTEGRALE 30696
	344234	4 TRACK ELECTROVALVE (EM025 COIN CONTROL)	ELECTROVALVULA CUATRO VIAS (EM025 COIN CONTROL)	ELECTROVANNE 4 VOIES (EM025 COIN CONTROL)
	332296	COIL 255043000000 12VCC	BOBINA 255043000000 12VCC	BOBINE 255043000000 12VCC
	300194	YELLOW CASE 30053	ESTUCHE AMARILLO 30053	BOITE JAUNE 30053
	300202	INTEGRAL GUIDE-MEMBRANE 30696	MEMBRANA-GUIA INTEGRAL 30696	MEMBRANE-GUIDE INTEGRALE 30696
33	323469	HOSE PARIGI D10XD16 WRC	TUBO PARIGI D10XD16 WRC	TUBE PARIGI D10XD16 WRC
34	152165	BRANCH	BIFURCACION	BIFURCATION

N°	REF.	DENOMINATION	DENOMINACIÓN	DÉNOMINATION
35	344101	SOAP DOSING INSERTO (EM025 COIN CONTROL)	INSERTO DOSIFICADOR (EM025 COIN CONTROL)	INSERTO BAC A PRODUITS (EM025 COIN CONTROL)
36	430959	MICROPROCESSOR PLATE COVER (EM025 COIN CONTROL)	TAPA PLACA MICROPROCESADOR (EM025 COIN CONTROL)	COUVERCLE PLAQUE MICROPROCES. (EM025 COIN CONTROL)
	430967	MICROPROCESSOR PLATE COVER (EM025 LOGI CONTROL)	TAPA PLACA MICROPROCESADOR (EM025 LOGI CONTROL)	COUVERCLE PLAQUE MICROPROCES. (EM025 LOGI CONTROL)