

WASHER

Repair Parts List

MODEL NUMBER

MAF18MN1

When requesting service or ordering parts, always provide the following information:

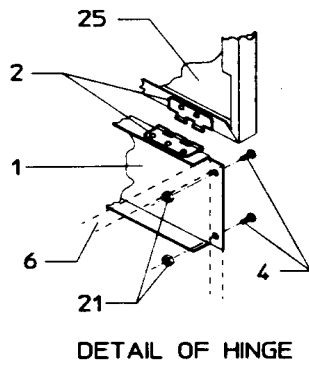
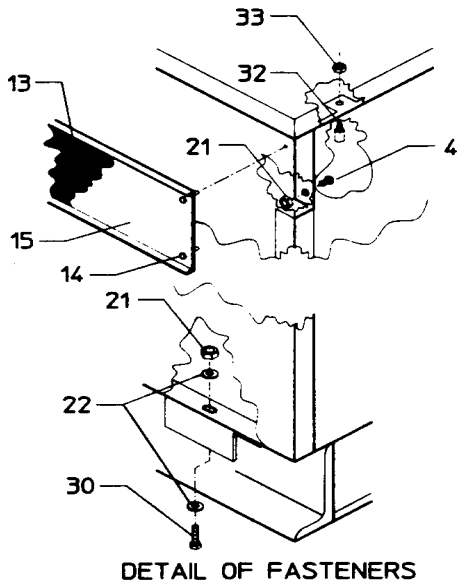
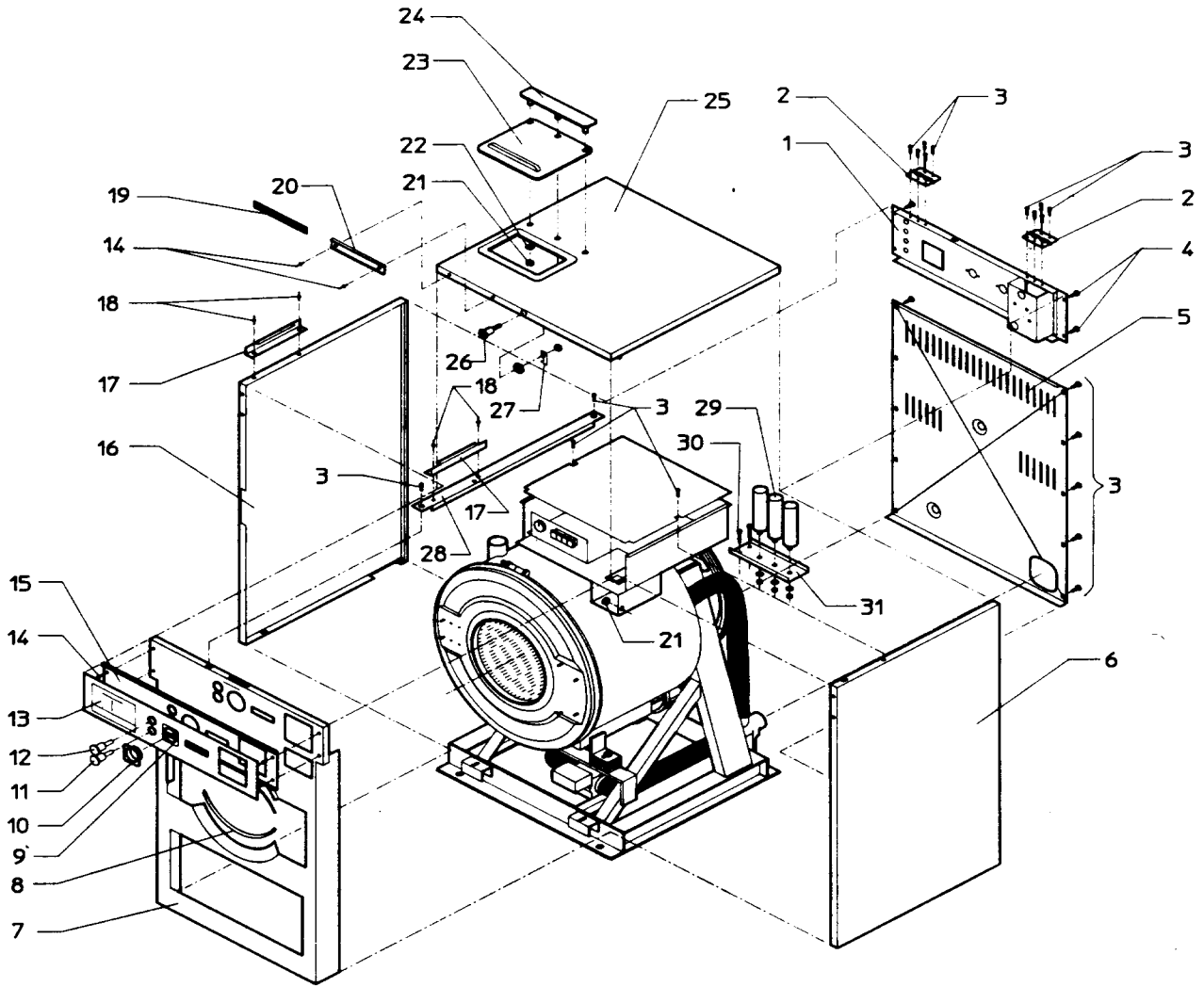
- Product Type
- Part Number
- Model Number
- Part Description

MAYTAG®

©2005 Maytag Services

Section: MAIN EXPLODED VIEW - FINAL ASSEMBLY

Model: MAF18MN1



721132

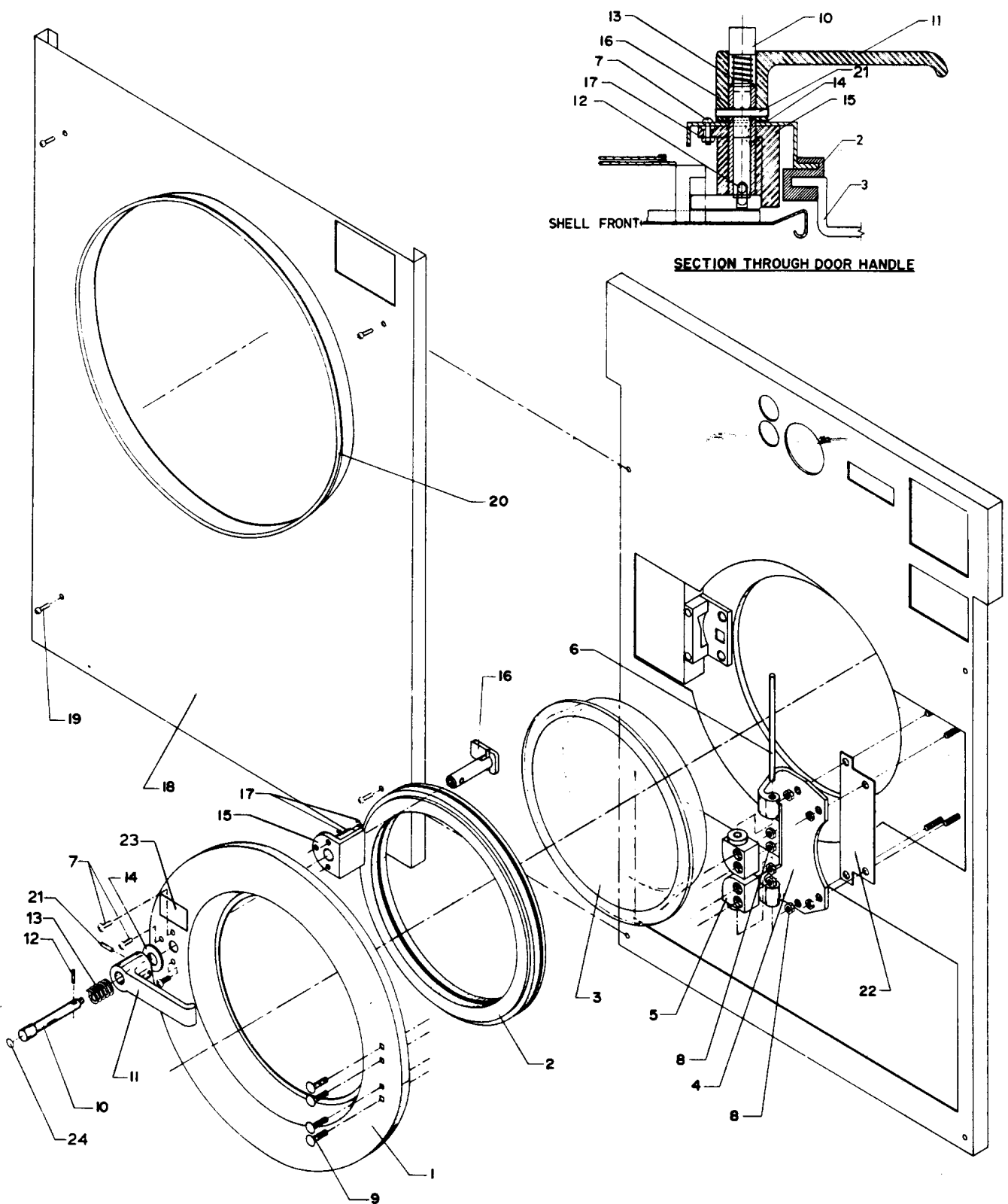
Section: MAIN EXPLODED VIEW - FINAL ASSEMBLY

No.	Part No.	Description	Series Qty
1	24001169	PANEL KIT, VALVE	1
-	24001676	HINGE, TOP COVER Note: (NOTE: 18003069 AFTER SERIAL NUMBER)	2
2	24001300	HINGE (TAKE APART) Note: (PREV. PART #602784 NOTE: USE 18003070 BEFORE SERIAL NUMBER)	2
3	24001301	SCREW (8-18 X 3/8")	24
4	24001323	SCREW (1/4-20 X 1/2")	8
5	24001400	KIT, PANEL (REAR)	1
6	24001162	PANEL KIT, SIDE (RT.)18 Note: (AS VIEWED FROM FRONT)	1
7	24001677	PANEL, FRONT (INR)	1
8	24001550	TRIM, PANEL (INNER FRONT)	2
9	24001679	DECAL, CYCLE INDICATOR	1
10	24001680	GLASS, TIMER	1
11	24001681	LIGHT, INDICATOR (RED 110V)	1
12	24001682	LIGHT, INDOCATOR (AMBER 110V)	1
13	24001683	DECAL, MAYTAG	1
14	24001533	RIVET, POP S.S. (1/8" X 1/4")	6
15 N	24001686	PANEL, CONTROL (ALUM)	1
16 N	24001155	PANEL KIT, SIDE (LT.)18 Note: (AS VIEWED FROM THE FRONT)	1
17	24001539	BRACKET, SOAP DISPENSER	2
18	24001540	RIVET, BLIND S.S. (1/8 X 5/16)	4
19	-----	NOT REQUIRED PART OR SEE NOTE Note: PART NUMBER NOT AVAILABLE	1
20	24001671	NAMEPLATE	1
21	24001510	NUT, S.S. (1/4"-20)	3
22	24001295	LOCKWASHER	3
23	24001219	COVER, SOAP DSPNSR	1
24	24001542	CLAMP, SOAP DISPENSER	1
25	24001168	COVER ASSY KIT, TOP Note: KIT ASSY., TOP COVER	1
26	24001220	LOCK, TOP COVER	1
27	24001221	LATCH, TOP COVER	1
28	24001695	BRACE, TOP	1
29	24001236	CAPACITOR (100MF)	1
30	24001303	SCREW (1/4-20 X 1-1/4")	8
31	24001692	BRACKET, CAPACITOR	1
32	24001305	NUT, FIBERLOCK (1/4)	17
33	24001425	NUT, FIBERLOCK, PLTD (6-32)	1
34	-----	NOT REQUIRED PART OR SEE NOTE Note: PART NUMBER NOT AVAILABLE	1

*Color Code (-)=Not Shown #=Series, Serial Prefix or Run No., N=Not Available

Section: DOOR AND RELATED PARTS

Model: MAF18MN1



721137

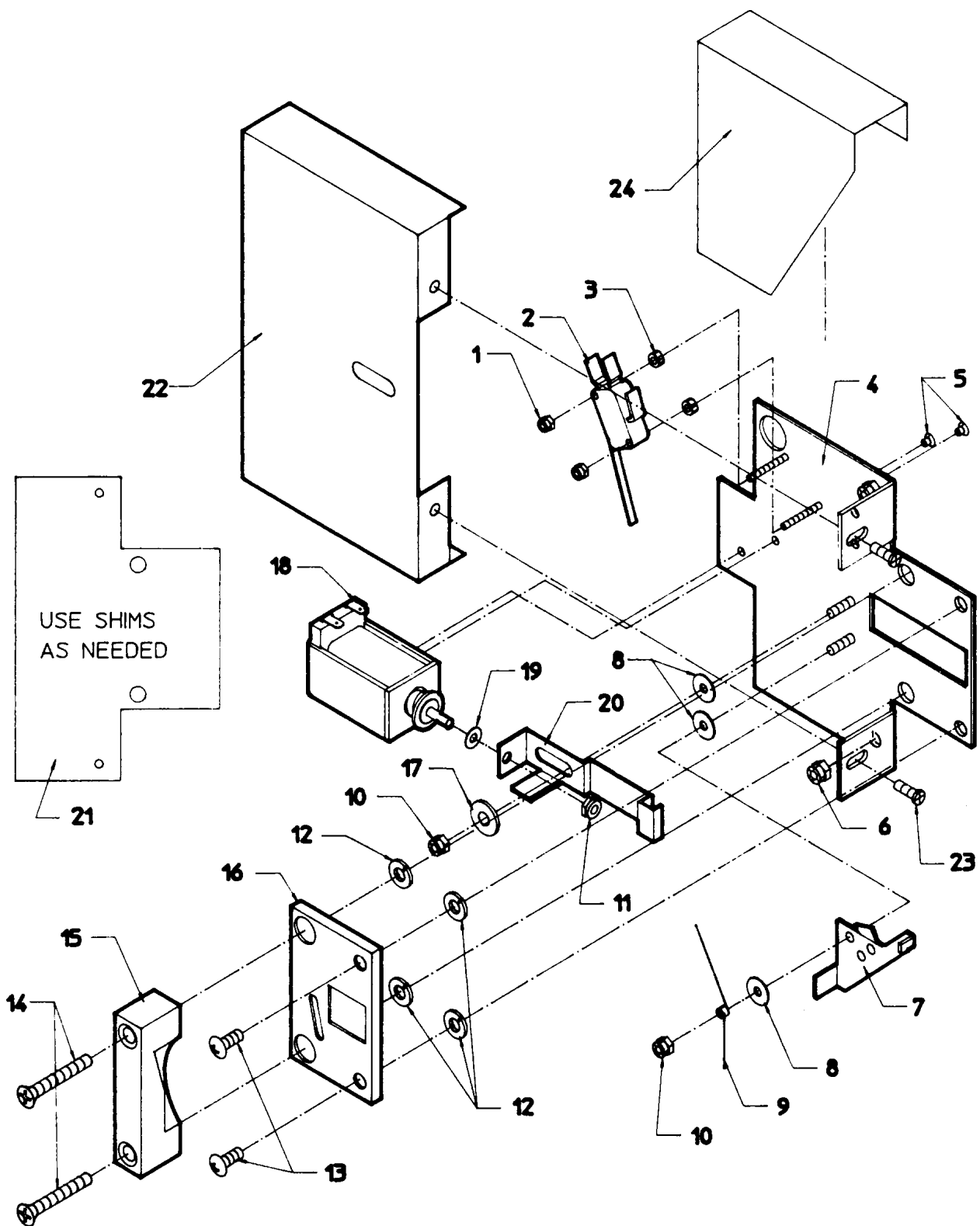
Section: DOOR AND RELATED PARTS

No.	Part No.	Description	Series Qty
-	N 24001639	DOOR ASSY. (OPL)	1
1	24001718	DOOR	1
2	24001075	GASKET, DOOR	1
3	24001098	GLASS, DOOR	1
4	24001333	HINGE, DOOR	1
5	24001334	MOUNT, DOOR	2
6	-----	NOT REQUIRED PART OR SEE NOTE Note: PART NUMBER NOT AVAILABLE	1
7	24001341	SCREW (8-32X 5/8")	3
8	24001305	NUT, FIBERLOCK (1/4)	8
9	24001467	SCREW, S.S. (1/4 - 20 X 7/8)	4
10	24001103	ROD, PUSH BUTTON	1
11	24001336	HANDLE, DOOR	1
12	24001721	PIN, SPRING	1
13	24001338	SPRING, DOOR LOCK	1
14	24001310	SCREW (5/16-18 X 5/8")	1
15	24001340	SPACER, DOOR HANDLE	1
16	24001343	ARM, LATCH	1
17	24001342	NUT, LOCK (8-32)	3
18	24001728	OUTER PANEL KIT (COIN ALM) Note: KIT, OTR. PNL COIN (ALM)	1
18	N 24001145	PANEL KIT, FRONT OPL Note: KIT, PNL, FRT OPL (STLS.)	1
18	24001133	PANEL KIT, FRONT COIN Note: KIT, PNL, FRT COIN (STLS.)	1
18	N 24001727	OUTER PANEL KIT (COIN SS COR) Note: KIT, OTR. PNL COIN (SS COR)	1
19	24001474	SCREW, S.S. (#8-32 X 3/8 PL)	4
20	24001722	TRIM, OUTER FRONT PANEL	1
21	24001827	PIN, SPRING (STLS)	1
23	24001462	DECAL, PUSH BUTTON RED	1
24	24001407	DECAL	1

*Color Code (-)=Not Shown #=Series, Serial Prefix or Run No., N=Not Available

Section: DOOR SAFETY INTERLOCK-OPL MODELS

Model: MAF18MN1



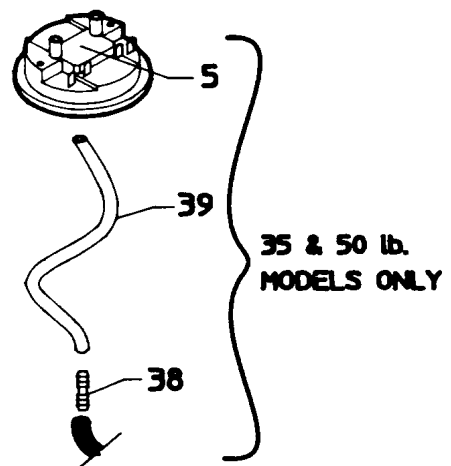
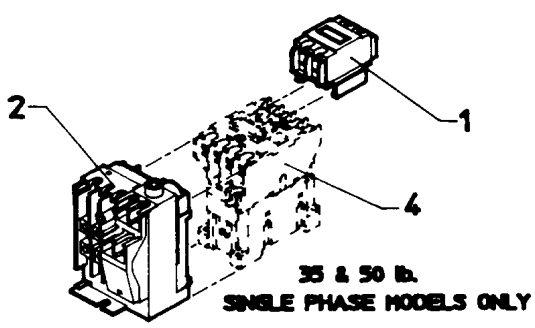
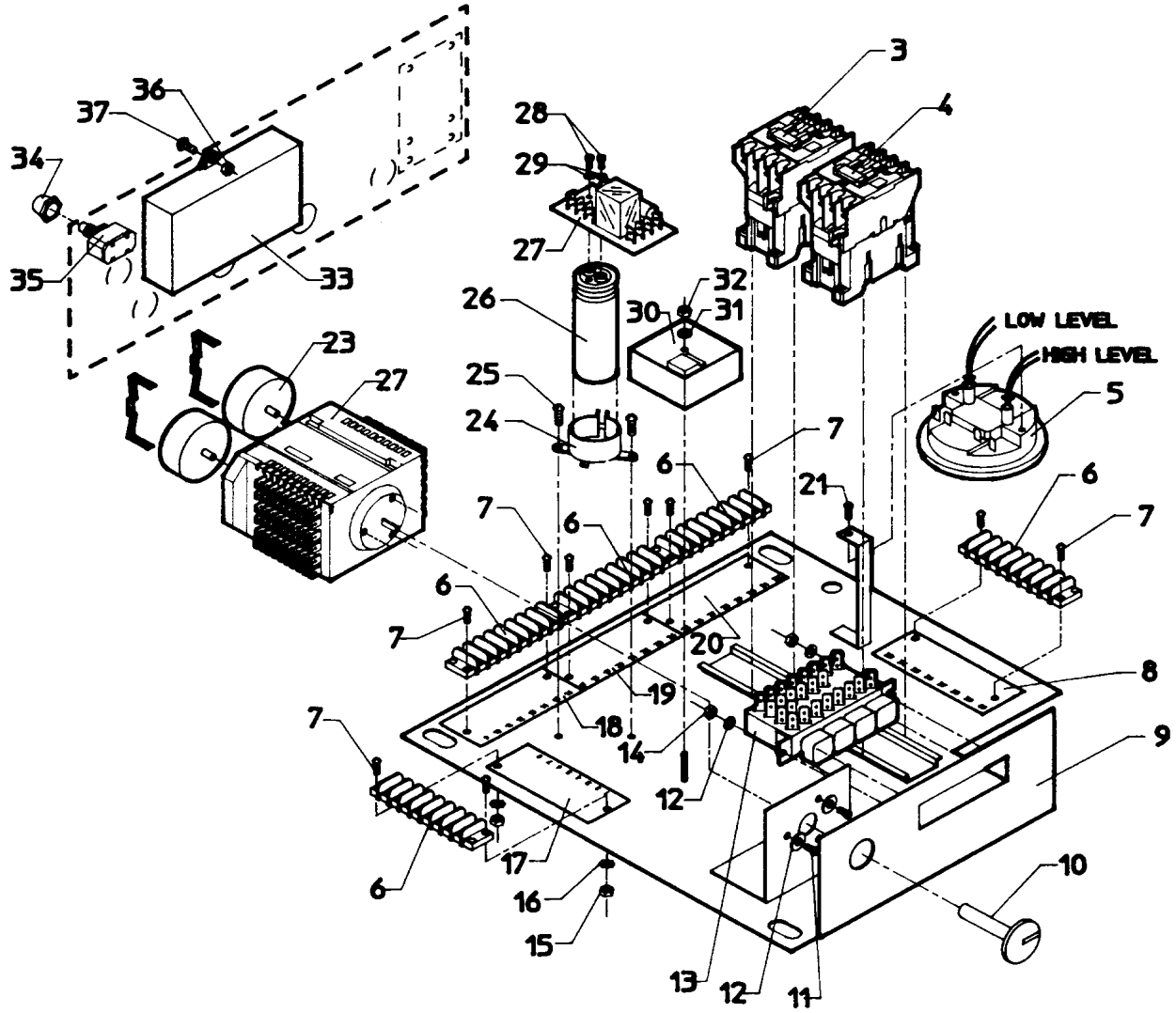
Section: DOOR SAFETY INTERLOCK-OPL MODELS

No.	Part No.	Description	Series Qty
1	24001476	NUT, FIBERLOCK (#4-40)	1
2	24001229	SWITCH, DOOR LOCK	1
3	24001477	SPACER, NYLON (#6)	4
4	N 24001478	PLATE, DOOR LOCK	1
5	24001479	SCREW, S.S. (#8-32 X 3/16)	2
6	24001305	NUT, FIBERLOCK (1/4)	2
7	24001230	LEVER, DOOR LOCK	1
8	24001480	WASHER, TEFLON (#8)	3
9	24001293	SPRING, TORSION	1
10	24001342	NUT, LOCK (8-32)	2
11	24001481	NUT, FIBERLOCK PLTD (#10-32)	1
12	24001295	LOCKWASHER	4
13	24001323	SCREW (1/4-20 X 1/2")	2
14	24001642	SCREW, S.S. (1/4-20 X 1 1/2")	2
15	24001483	CATCH, DOOR LOCK	1
16	24001484	COVER, DOOR LOCK PLATE	1
17	24001485	WASHER, SHOULDER (TEFLON)	1
18	24001101	SOLENOID, DOOR REL (110/220V)	1
19	24001358	WASHER, FLAT (#10)	1
20	24001486	STOP, PUSH BUTTON	1
22	24001487	COVER, DOOR LOCK ASSY.	1
23	24001301	SCREW (8-18 X 3/8")	2
24	24001488	SHIELD, SPLASH (DOOR LOCK)	1

*Color Code (-)=Not Shown #=Series, Serial Prefix or Run No., N=Not Available

Section: CONTROL MODULE

Model: MAF18MN1



Section: CONTROL MODULE

No.	Part No.	Description	Series Qty
3	24001105	CONTACTOR (120V)	1
-	24001738	RELAY	1
-	24001737	RELAY	1
5	24001222	SWITCH, TRI LEVEL----N	1
6	24001412	TERMINAL STRIP	5
7	24001414	SCREW, S.S. (#6-32 X 1/2 PLTD)	10
8	24001030	DECAL,INSUL.TERM STIRP (33-40)	1
9	-----	NOT REQUIRED PART OR SEE NOTE Note: PART NUMBER NOT AVAILABLE	0
10	-----	NOT REQUIRED PART OR SEE NOTE Note: PART NUMBER NOT AVAILABLE	0
11	24001357	SCREW	3
12	24001358	WASHER, FLAT (#10)	5
13 N	24001740	SWITCH, CYCLE SELECTOR	1
14 N	24001741	NUT, FIBERLOCK	1
15	24001417	NUT, BRASS (#6-32)	10
16	24001415	WASHER, S.S. (#6 EXT. TOOTH)	10
17 N	24001026	DECAL,INSUL. TERM STRIP (1-8)	1
18 N	24001027	DECAL,INSUL.TERM STRIP (9-16)	1
19 N	24001028	DECAL,INSUL.TERM STRIP (17-24)	1
20 N	24001029	DECAL,INSUL.TERM STRIP (25-32)	1
21	24001411	SCREW, S.S. (6-32 X 3/8 PLTD)	1
22	24001178	CYCLE KIT, TIMER (120V)	1
23	24001577	MOTOR, TIMER (110V 60HZ)	2
24	-----	NOT REQUIRED PART OR SEE NOTE Note: PART NUMBER NOT AVAILABLE	0
25	24001578	SCREW, S.S. (6-32 X 1/4")	2
26	24001247	CAPACITOR, DOOR LOCK	1
27	24001742	P.C. BOARD (110V)	1
27	24001248	PC BOARD, DOOR LOCK	1
28	24001580	SCREW, S.S. (#10-32 X 3/8")	2
29	24001579	WASHER, S.S. (#10 LOCK EXT.)	2
30	24001176	RELAY, TIME OFF DELAY	1
31	24001295	LOCKWASHER	1
32	24001419	NUT, PLTD (1/4-#20 HEX)	1
34	24001744	BOOT, PUSH BUTTON	1
35	24001254	SWITCH, MOMENTARY	1

*Color Code (-)=Not Shown #=Series, Serial Prefix or Run No., N=Not Available

Section: WATER VALVE

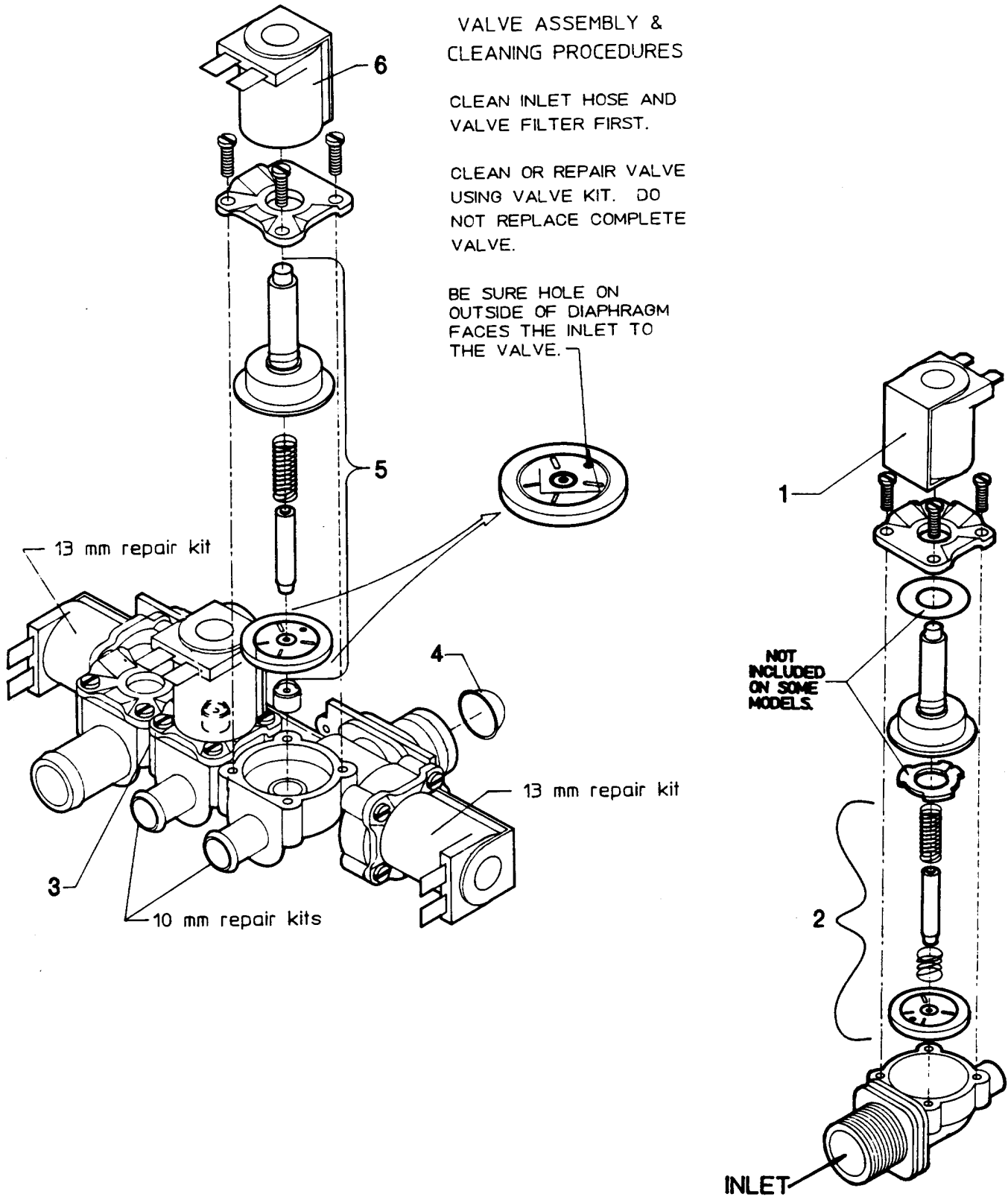
Model: MAF18MN1

VALVE ASSEMBLY & CLEANING PROCEDURES

CLEAN INLET HOSE AND VALVE FILTER FIRST.

CLEAN OR REPAIR VALVE USING VALVE KIT. DO NOT REPLACE COMPLETE VALVE.

BE SURE HOLE ON OUTSIDE OF DIAPHRAGM FACES THE INLET TO THE VALVE.



721357

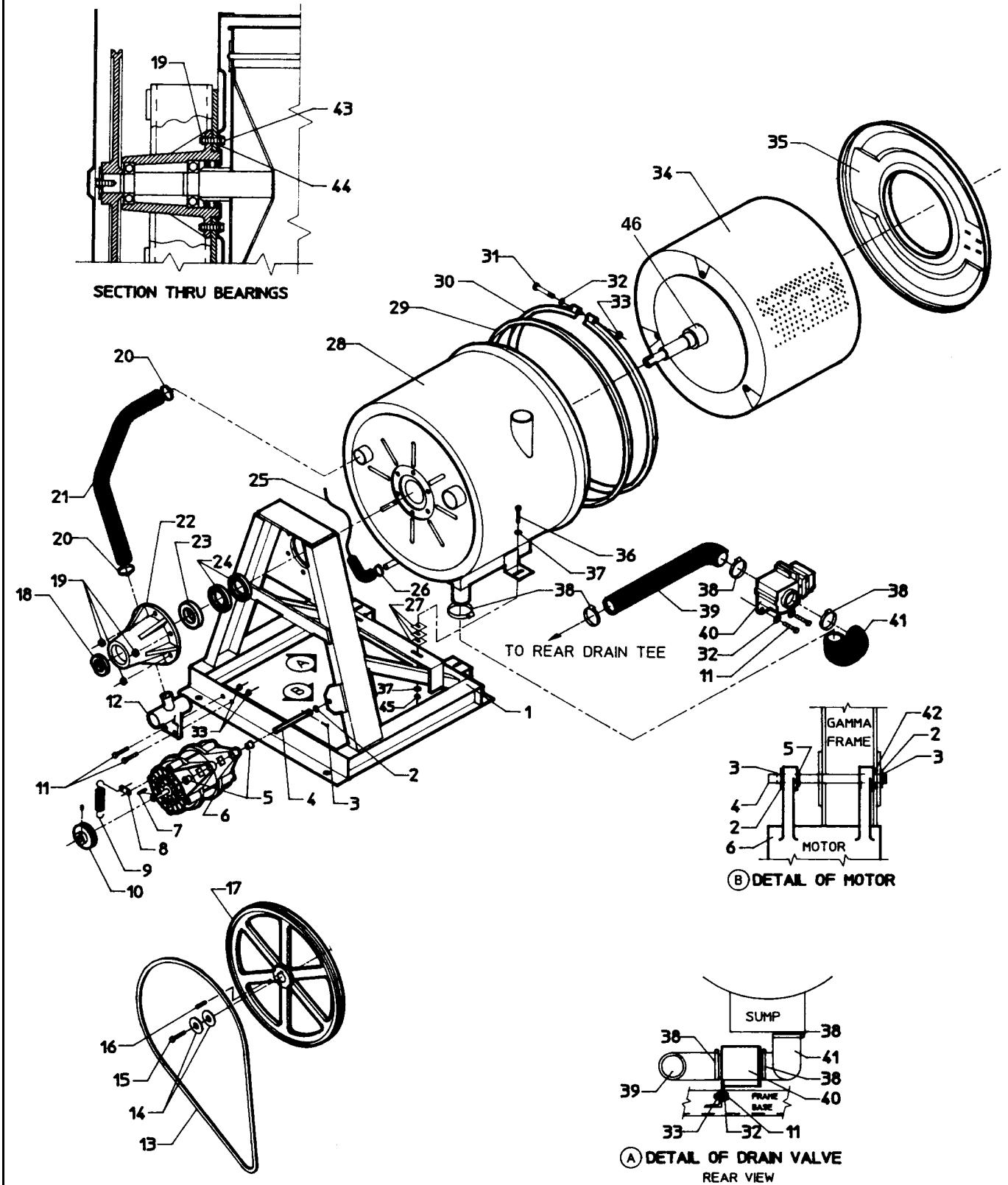
Section: WATER VALVE

No.	Part No.	Description	Series Qty
-	24001118	VALVE (3WAY 110-127V/50-60HZ)	1
1	24001232	COIL, WATER VALVE	1
-	24001776	VALVE, WATER (2 WAY)	1
3	24001226	VALVE, MIXING (3 WAY)	1
4	24001634	SCREEN, VALVE	2
5	24001122	KIT, VALVE REPAIR (13MM) Note: KIT, REPAIR (13MM)	2
5	24001231	KIT, DIAPHRAM (SHORT) Note: KIT, REPAIR (10MM) (FOR USE IN MIXING VALVE MODELS ONLY)	2
6	24001232	COIL, WATER VALVE	1

*Color Code (-)=Not Shown #=Series, Serial Prefix or Run No., N=Not Available

Section: MAIN EXPLODED VIEW-SUB ASSEMBLY

Model: MAF18MN1



721129

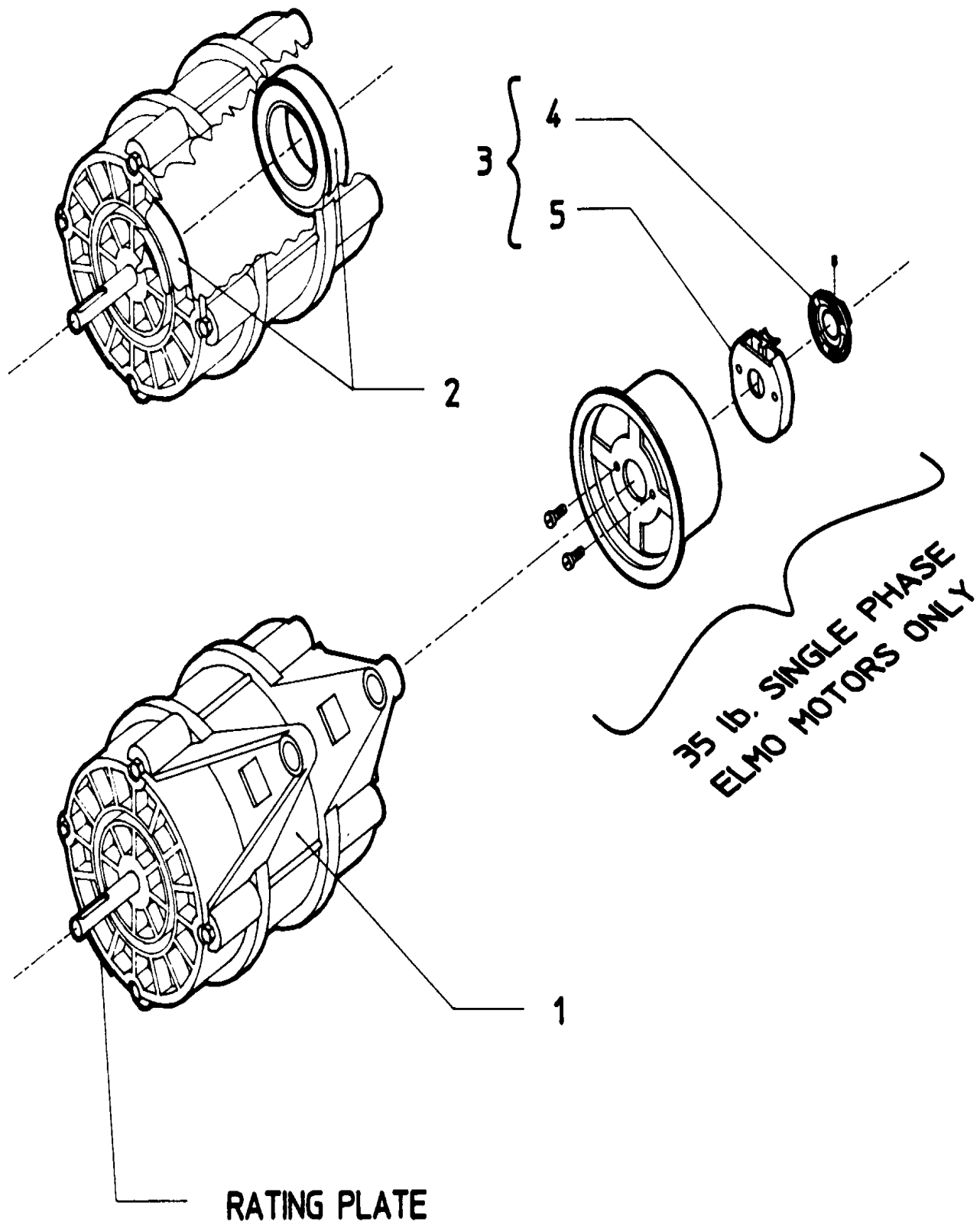
Section: MAIN EXPLODED VIEW-SUB ASSEMBLY

No.	Part No.	Description	Series Qty
1	24001369	KIT ASSY., FRAME (2 SPEED)	1
2	24001511	WASHER, HARDENED (PLTD. 5/8)	2
3	24001512	PIN, COTTER PLTD. (1/8X1 1/2)	2
4	24001647	ROD, MOTOR SUPPORT	1
5	24001021	BUSHING, MOTOR (UC/UW)	2
6	24001082	MOTOR,2SP (208/240/60/3)	1
6	24001078	MOTOR,2SP (120/60/1/)	1
7	24001648	KEY (MOTOR 3/16" X 1 1/2")	1
8	24001651	CLIP, MOTOR SPRING	1
9	24001650	SPRING (BELT TENSION)	1
10	24001086	PULLEY, MOTOR	1
11	24001502	SCREW (1/4"-20 X 3/4")	4
12	24001826	CONNECTION, TEE-DRAIN	1
13	24001093	BELT, V (3V-710)	1
14	24001501	WASHER, S.S.	2
15	24001500	SCREW, S.S. (3/8"-16X1)	1
16	24001499	KEY (3/8" X 1 1/4")	1
17	24001085	PULLEY, BASKET Note: (NOTE..18000456 BEFORE SERIAL NUMBER)	1
18	24001015	BEARING (6207 2RS C3)	1
19	24001515	NUT, FIBERLOCK PLTD. (3/8-16)	6
20	24001283	CLAMP, HOSE (#28)	2
21	24001662	HOSE, OVERFLOW	1
22	24001258	KIT, TRUNNION (2SP.)	1
23	24001014	BEARING (6208 2RS C3)	1
24	24001019	SEAL, SHAFT (SS SPR60X80X10MM)	2
25	24001661	AIR TRAP Note: HOSE, AIR DOME	1
26	24001438	CLAMP, HOSE (#10)	1
27	24001803	SHIM, SHELL	3
28	24001375	KIT, SHIELD RETRO Note: KIT, SHIELD RETRO	1
29	24001184	GASKET KIT (FRONT SHELL)	1
30	24001388	KIT, BAND SHELL	1
31	24001215	KIT, BAND FASTENER	1
32	24001215	KIT, BAND FASTENER	3
33	24001215	KIT, BAND FASTENER	7
34	24001266	BASKET (18-2 SPEED)	1
35	24001384	KIT, FRONT SHELL	1
36	24001657	BOLT (S.S. 3/8-16 X 1 1/2")	2
37	24001516	WASHER, FLAT PLTD. (3/8")	4
38	24001353	CLAMP, HOSE (#40)	4
39	24001660	HOSE, DRAIN (REAR)	1
40	24001116	VALVE, DRAIN (2" 110V,60HZ)	1
41	24001565	HOSE, DRAIN (FRONT)	1
42	24001805	TRIM, FRONT PANEL	1
43	24001659	BOLT (S.S. 1/2"-13 X2)	6
44	24001808	WASHER, S.S.	3
-	24001258	KIT, TRUNNION (2SP.)	1
45	24001515	NUT, FIBERLOCK PLTD. (3/8-16)	2
46	24001130	SLEEVE, SFT (2SP)	1

*Color Code (-)=Not Shown #=Series, Serial Prefix or Run No., N=Not Available

Section: MOTOR

Model: MAF18MN1



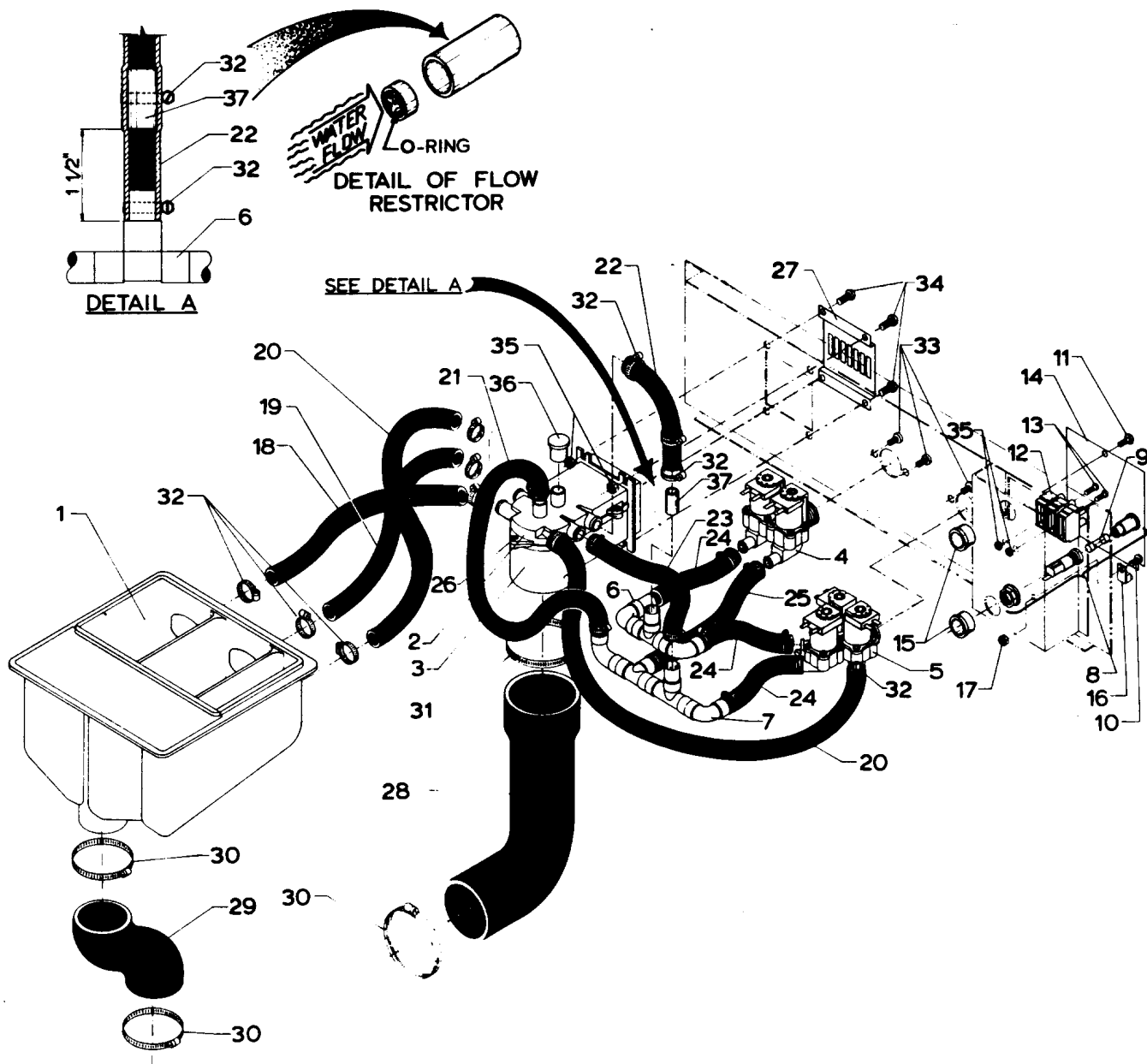
Section: MOTOR

No.	Part No.	Description	Series Qty
1	24001082	MOTOR,2SP (208/240/60/3)	1
1	24001078	MOTOR,2SP (120/60/1/)	1
2	24001018	BEARING, 6204-2RS	1
3	-----	NOT REQUIRED PART OR SEE NOTE Note: PART NOT USED	0

*Color Code (-)=Not Shown #=Series, Serial Prefix or Run No., N=Not Available

Section: SOAP DISPENSER

Model: MAF18MN1



721143

Section: SOAP DISPENSER

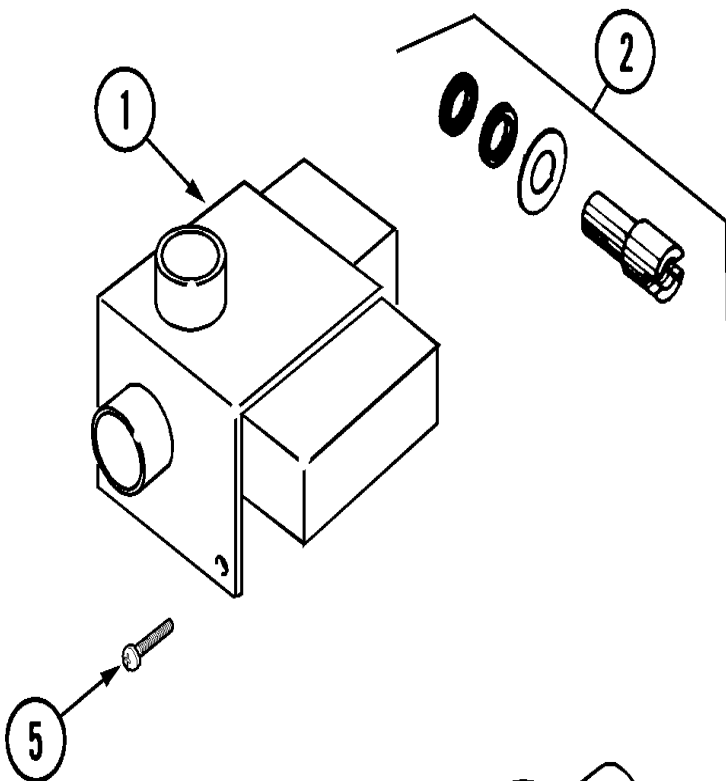
No.	Part No.	Description	Series Qty
1	24001627	DISPENSER, SUPPLY (COIN)	1
2	24001031	BREAKER, VAC. (TOP)	1
3	24001032	BREAKER, VAC. (BTM)	1
4	24001117	VALVE (2WAY 110-127V/50-60HZ)	1
5	24001118	VALVE (3WAY 110-127V/50-60HZ)	1
6	24001765	MANIFOLD, SUPPLY	1
7	24001766	MANIFOLD, FILL	1
8	24001433	HOLDER, FUSE	1
9	24001225	FUSE, CONTROL (2AMP)	1
10	24001432	SCREW, S.S. (#8-32 X 3/8)	1
11	24001301	SCREW (8-18 X 3/8")	1
12	24001629	BLOCK, INPUT POWER (3 WIRE)	1
13	24001430	SCREW, S.S (6-32 X 1)	2
14	24001429	COVER, JUNCTION BOX	1
15	24001436	GROMMET, BUSHING	1
16	24001434	CONNECTOR, GROUND	1
17	24001342	NUT, LOCK (8-32)	1
18	24001767	HOSE	1
19	24001768	HOSE	1
20	24001769	HOSE	2
21	24001770	HOSE	1
22	24001771	HOSE	1
23	24001772	HOSE	1
24	24001773	HOSE	3
25 N	24001774	HOSE	1
26	24001432	SCREW, S.S. (#8-32 X 3/8)	5
27	24001426	COVER, VACUUM BREAKER	1
28	24001552	HOSE, VACUUM BREAKER	1
29	24001442	HOSE, SOAP DISPENSER	1
30	24001353	CLAMP, HOSE (#40)	3
31	24001282	CLAMP, HOSE (#48)	1
32	24001423	CLAMP, HOSE (#8)	23
33	24001357	SCREW	4
34	24001414	SCREW, S.S. (#6-32 X 1/2 PLTD)	4
35	24001425	NUT, FIBERLOCK, PLTD (6-32)	6
36	24001424	CAP, PLUG (YELLOW)	1
37	24001775	FLOW RESTRICTOR ASSY.	1

*Color Code (-)=Not Shown #=Series, Serial Prefix or Run No., N=Not Available

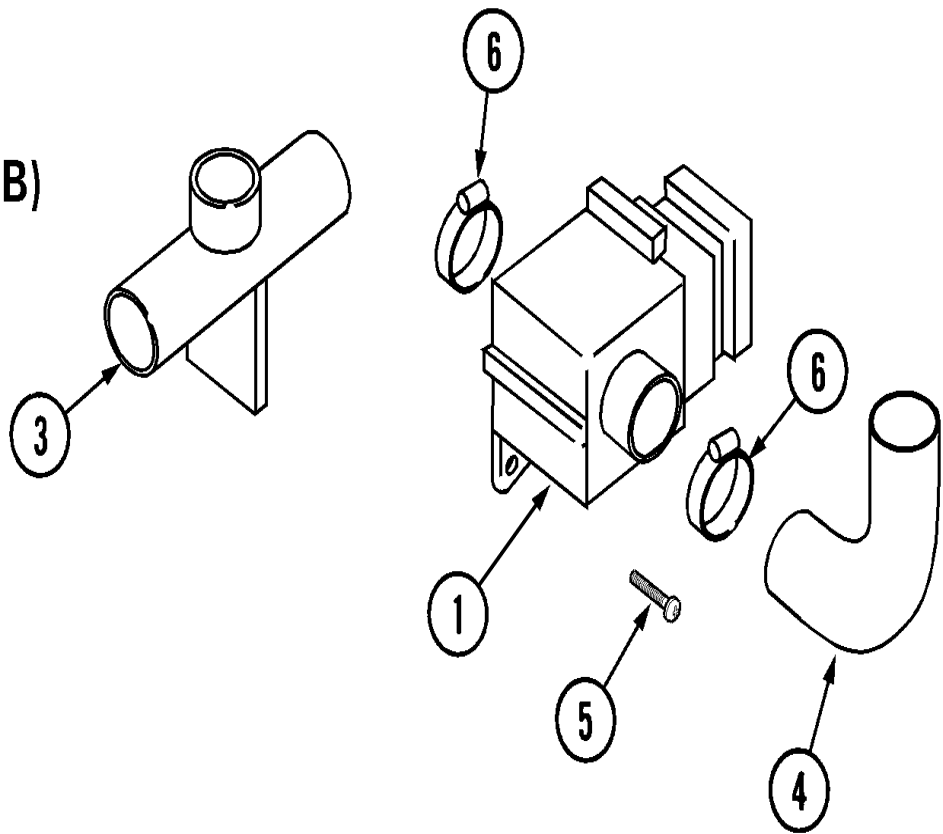
Section: DRAIN VALVE

Model: MAF18MN1

A)



B)



CW21-131

Section: DRAIN VALVE

No.	Part No.	Description	Series Qty
1	24001116	VALVE, DRAIN (2" 110V,60HZ) Note: (B)VALVE, DRAIN	1
1	24001217	VALVE, DRAIN (3") Note: (A)VALVE, DRAIN	1
-	24001530	VALVE, MOTOR DRAIN (110V 60HZ) Note: (A)MOTOR, DRAIN VALVE	1
2	24001528	MAIN DRIVE SHAFT AND SEAL KIT	1
3	24001826	CONNECTION, TEE-DRAIN Note: CONNECTION, TEE	1
4	24001565	HOSE, DRAIN (FRONT) Note: HOSE, DRAIN (FRT)	1
5	24001502	SCREW (1/4"-20 X 3/4")	4
6	24001353	CLAMP, HOSE (#40)	4

*Color Code (-)=Not Shown #=Series, Serial Prefix or Run No., N=Not Available

