

WASHER

Repair Parts List

MODEL NUMBER

MAF35MC4VS

When requesting service or ordering parts, always provide the following information:

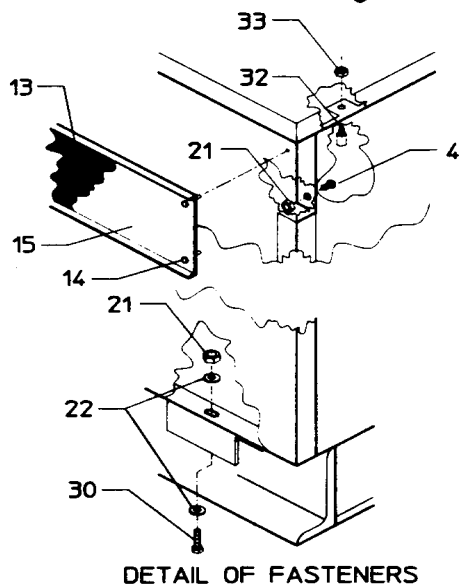
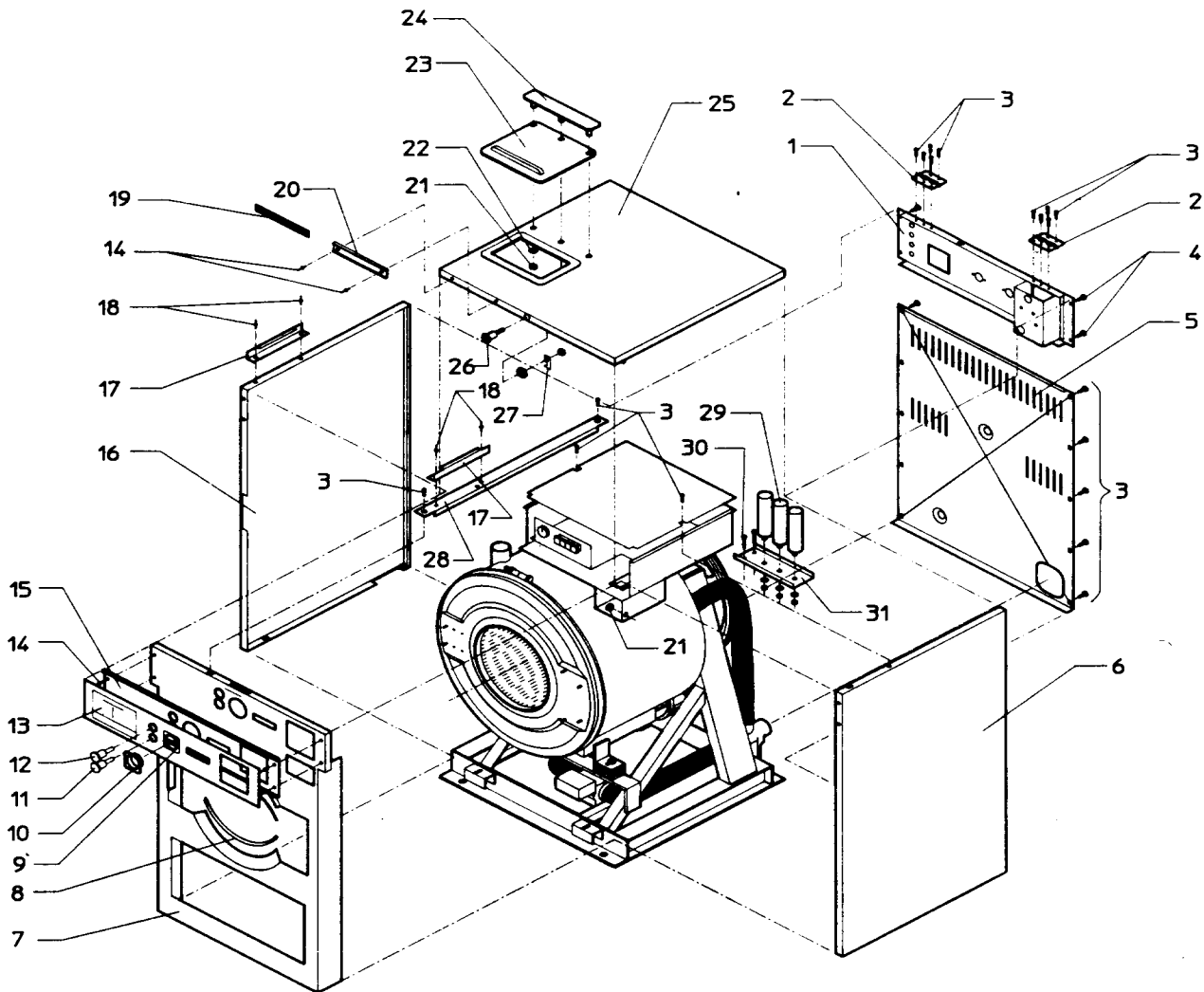
- Product Type
- Part Number
- Model Number
- Part Description

MAYTAG®

©2005 Maytag Services

Section: FINAL ASSEMBLY (MAF35MC4V*)

Model: MAF35MC4VS



Section: FINAL ASSEMBLY (MAF35MC4V*)

No.	Part No.	Description	Series Qty
1	24001170	PANEL KIT, VALVE	1
-	24001676	HINGE, TOP COVER Note: (NOTE: 18003069 AFTER SERIAL NUMBER)	2
2	24001300	HINGE (TAKE APART) Note: (PREV. PART #602784 NOTE: USE 18003070 BEFORE SERIAL NUMBER)	2
3	24001301	SCREW (8-18 X 3/8")	24
4	24001323	SCREW (1/4-20 X 1/2")	8
5	24001403	KIT, PANEL (REAR)	1
6	24001162	PANEL KIT, SIDE (RT.)18 Note: (AS VIEWED FROM FRONT)	1
7	24001678	PANEL, FRONT (INR)	1
8	24001550	TRIM, PANEL (INNER FRONT)	2
9	24001679	DECAL, CYCLE INDICATOR	1
10	24001680	GLASS, TIMER	1
11	24001681	LIGHT, INDICATOR (RED 110V)	1
12	24001682	LIGHT, INDOCATOR (AMBER 110V)	1
13	24001684	DECAL, MAYTAG	1
14	24001533	RIVET, POP S.S. (1/8" X 1/4")	6
15 N	24001059	PANEL, CONTROL	1
-	24002036	DECAL, CONTROL PANEL (MAF-MC)	1
16	24001157	PANEL KIT, SIDE (LT.)35	1
17	24001539	BRACKET, SOAP DISPENSER	2
18	24001540	RIVET, BLIND S.S. (1/8 X 5/16)	4
19	-----	NOT REQUIRED PART OR SEE NOTE Note: PART NUMBER NOT AVAILABLE	1
20	24001671	NAMEPLATE	1
21	24001510	NUT, S.S. (1/4"-20)	3
22	24001295	LOCKWASHER	3
23	24001219	COVER, SOAP DSPNSR	1
24	24001542	CLAMP, SOAP DISPENSER	1
25	24001168	COVER ASSY KIT, TOP Note: KIT ASSY., TOP COVER	1
26	24001220	LOCK, TOP COVER	1
27	24001221	LATCH, TOP COVER	1
28	24001690	BRACE, TOP	1
29	24001240	CAPACITOR (10MF)	1
29	24001241	CAPACITOR W/RES. (130MF)	1
29	24001242	CAPACITOR (160MF)	1
29	24001237	CAPACITOR (50MF)	1
30	24001303	SCREW (1/4-20 X 1-1/4")	8
31	24001674	BRACKET, CAPACITOR	1
32	24001305	NUT, FIBERLOCK (1/4)	17
33	24001425	NUT, FIBERLOCK, PLTD (6-32)	1
34	-----	NOT REQUIRED PART OR SEE NOTE Note: PART NUMBER NOT AVAILABLE	1

*Color Code (-)=Not Shown #=Series, Serial Prefix or Run No., N=Not Available

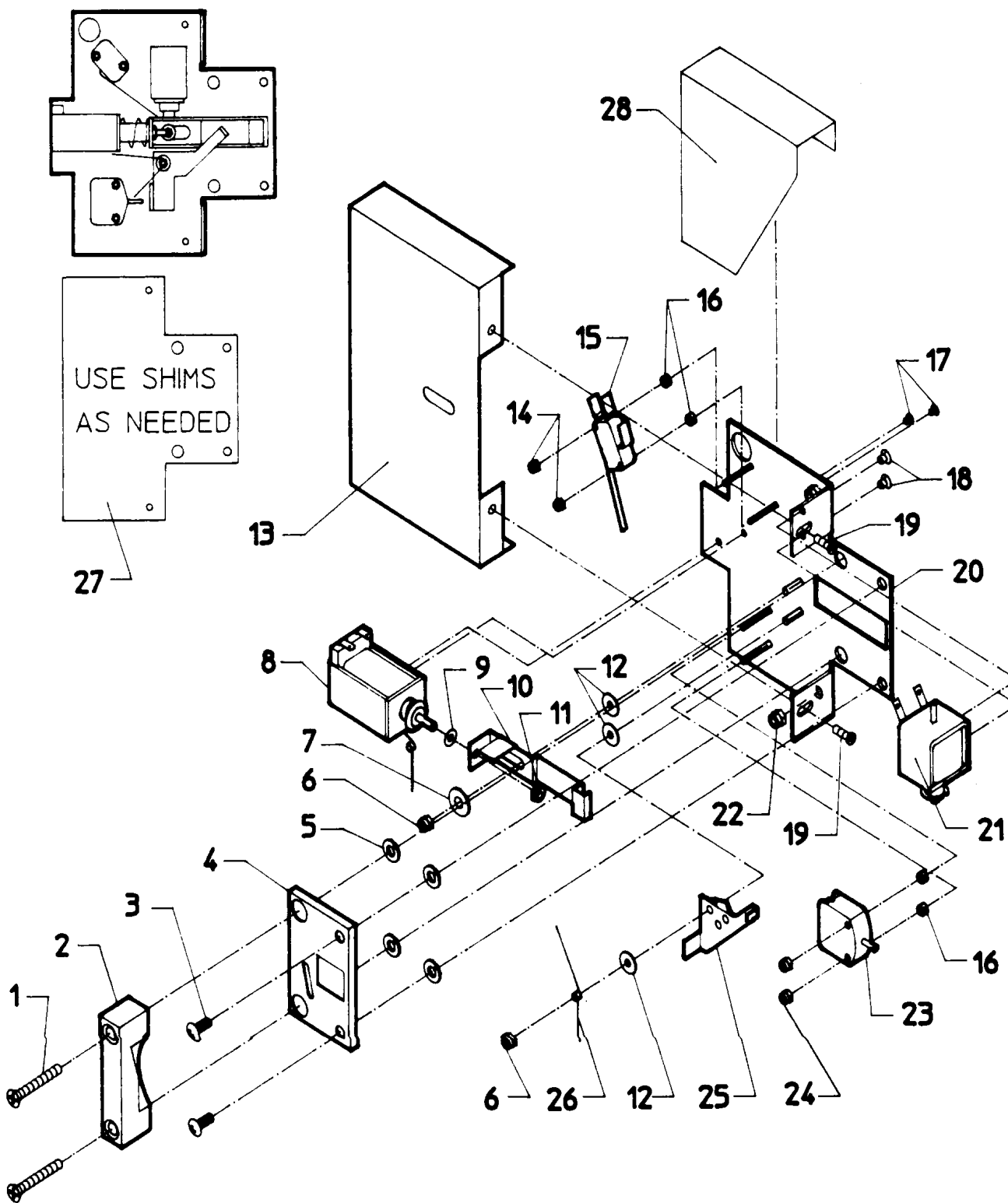
Section: DOOR & RELATED PARTS (MAF35MC4V*)

No.	Part No.	Description	Series Qty
1	24001719	DOOR	1
-	24001556	DOOR ASSY.	1
2	24001075	GASKET, DOOR	1
3	24001099	GLASS, DOOR	1
4	24001333	HINGE, DOOR	1
5	24001334	MOUNT, DOOR	2
6	-----	NOT REQUIRED PART OR SEE NOTE Note: PART NUMBER NOT AVAILABLE	1
7	24001341	SCREW (8-32X 5/8")	3
8	24001305	NUT, FIBERLOCK (1/4)	8
9	24001467	SCREW, S.S. (1/4 - 20 X 7/8)	4
10	24001103	ROD, PUSH BUTTON	1
11	24001336	HANDLE, DOOR	1
12	24001721	PIN, SPRING	1
13	24001338	SPRING, DOOR LOCK	1
14	24001310	SCREW (5/16-18 X 5/8")	1
15	24001340	SPACER, DOOR HANDLE	1
16	24001343	ARM, LATCH	1
17	24001342	NUT, LOCK (8-32)	3
19	24001474	SCREW, S.S. (#8-32 X 3/8 PL)	4
20	24001722	TRIM, OUTER FRONT PANEL	1
21	24001827	PIN, SPRING (STLS)	1
23	24001462	DECAL, PUSH BUTTON RED	1
24	24001407	DECAL	1

*Color Code (-)=Not Shown #=Series, Serial Prefix or Run No., N=Not Available

Section: DOOR SAFETY INTERLOCK (MAF35MC4V*)

Model: MAF35MC4VS



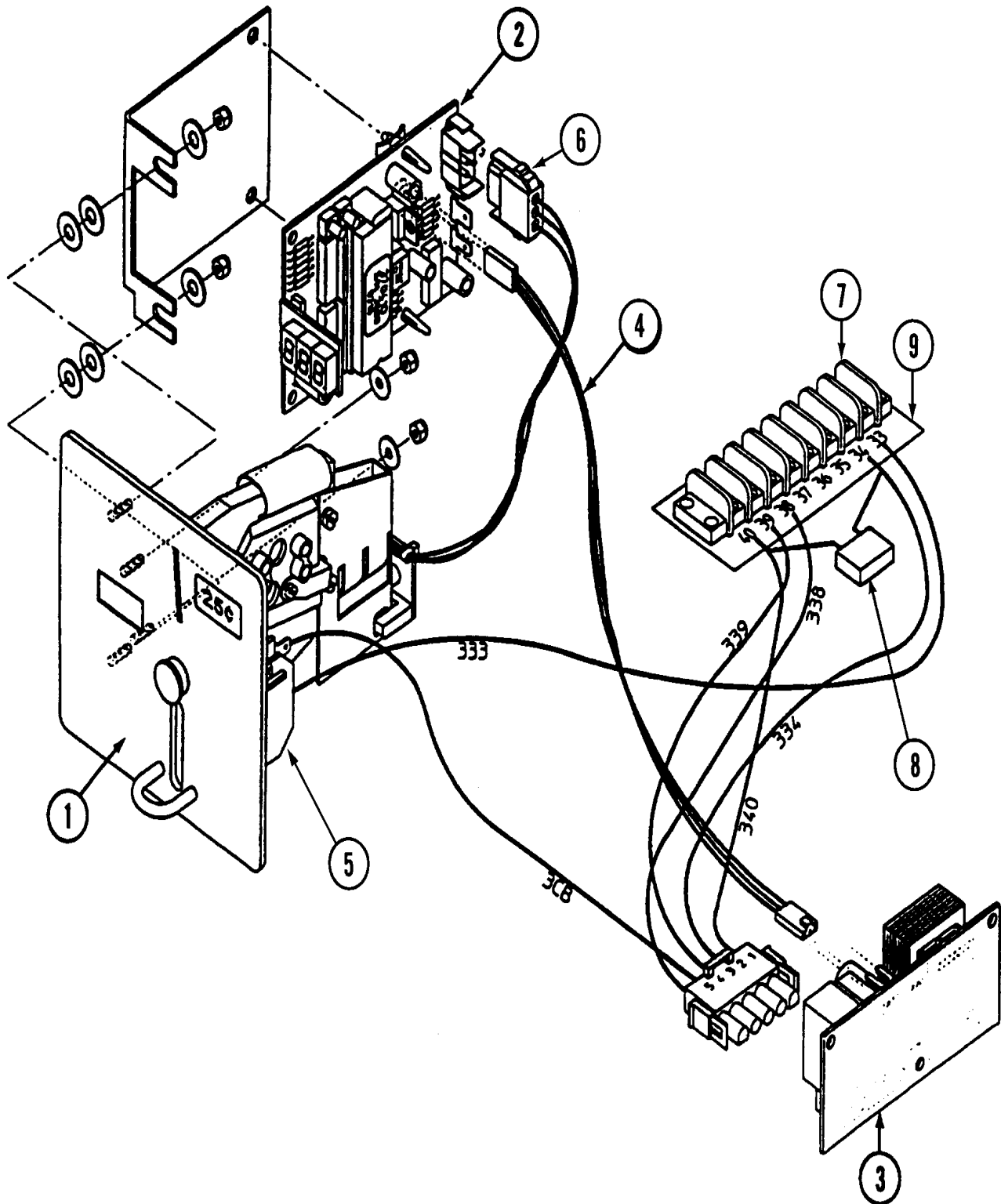
Section: DOOR SAFETY INTERLOCK (MAF35MC4V*)

No.	Part No.	Description	Series Qty
1	24001642	SCREW, S.S. (1/4-20 X 1 1/2")	2
2	24001483	CATCH, DOOR LOCK	1
3	24001323	SCREW (1/4-20 X 1/2")	4
4	24001484	COVER, DOOR LOCK PLATE	1
5	24001295	LOCKWASHER	2
6	24001342	NUT, LOCK (8-32)	2
7	24001485	WASHER, SHOULDER (TEFLON)	1
8	24001101	SOLENOID, DOOR REL (110/220V)	1
9	24001358	WASHER, FLAT (#10)	1
10	24001250	BUTTON, PUSH (STOP)	1
11	24001481	NUT, FIBERLOCK PLTD (#10-32)	1
12	24001480	WASHER, TEFLON (#8)	3
13	24001487	COVER, DOOR LOCK ASSY.	1
14	24001476	NUT, FIBERLOCK (#4-40)	2
15	24001229	SWITCH, DOOR LOCK	1
16	24001477	SPACER, NYLON (#6)	4
17	24001643	SCREW, S.S. (6 X 3/16")	2
18	24001479	SCREW, S.S. (#8-32 X 3/16)	2
19	24001301	SCREW (8-18 X 3/8")	2
20	N 24001644	DOOR LOCK PLATE Note: PLATE, DOOR LOCK	1
21	24001102	SOLENOID, DOOR LCK (110/220V)	1
22	24001305	NUT, FIBERLOCK (1/4)	2
23	24001255	SWITCH, DOOR HANDLE	1
24	24001736	PIN, LOCKING	2
25	24001230	LEVER, DOOR LOCK	1
26	24001293	SPRING, TORSION	1
27	24001559	SHIM, DOOR LOCK Note: (USE AS NEEDED)	1
28	24001488	SHIELD, SPLASH (DOOR LOCK)	1
-	24001640	DOOR LOCK COMPLETE (MC 110V)	1

*Color Code (-)=Not Shown #=Series, Serial Prefix or Run No., N=Not Available

Section: COIN METER (MAF35MC4V*)

Model: MAF35MC4VS



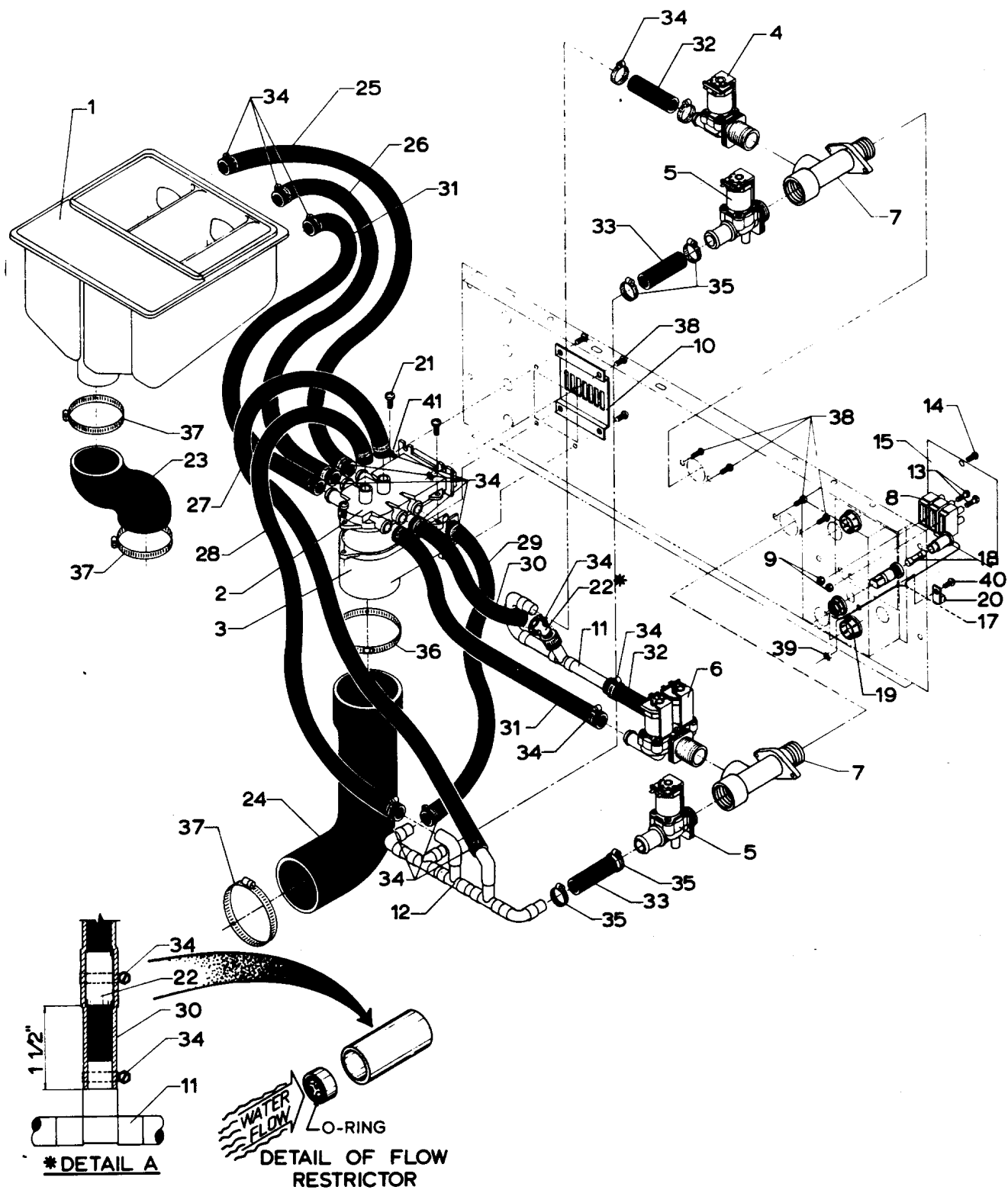
Section: COIN METER (MAF35MC4V*)

No.	Part No.	Description	Series	Qty
1	N 24002034	COIN METER, HANKE (DIGITAL)		1
1	24001256	METER ASSY, DIG. CN		1
2	24001831	COIN COUNTING BOARD(W/LED DIS)		1
3	24001355	POWER SUPPLY (120V)		1
4	24002035	HARNESS, LED		1
5	24001073	COIL, BLOCKING (CN-MTR.110V)		1
6	24001833	SENSOR, COIN (MC MODELS)		1
7	24001363	KIT, TERMINAL STRIP		1
8	24001109	FILTER, RC-NTWK.		1
9	24001030	DECAL,INSUL.TERM STIRP (33-40)		1

*Color Code (-)=Not Shown #=Series, Serial Prefix or Run No., N=Not Available

Section: SOAP DISPENSER (MAF35MC4V*)

Model: MAF35MC4VS



721151

Section: SOAP DISPENSER (MAF35MC4V*)

No.	Part No.	Description	Series Qty
1	24001627	DISPENSER, SUPPLY (COIN)	1
2	24001031	BREAKER, VAC. (TOP)	1
3	24001032	BREAKER, VAC. (BTM)	1
4	24001119	VALVE-1WAY (10MM)(110-127V)	1
5	-----	NOT REQUIRED PART OR SEE NOTE Note: PART NUMBER NOT AVAILABLE	0
6	-----	NOT REQUIRED PART OR SEE NOTE Note: PART NUMBER NOT AVAILABLE	0
7	24001448	SEAL (W110-012)	4
8	24001629	BLOCK, INPUT POWER (3 WIRE)	1
8	24001366	BLOCK, INPU & POWER (4 TERM)	1
9	24001425	NUT, FIBERLOCK, PLTD (6-32)	2
10	24001426	COVER, VACUUM BREAKER	1
11	24001777	MANIFOLD, SUPPLY	1
12	-----	NOT REQUIRED PART OR SEE NOTE Note: PART NUMBER NOT AVAILABLE	0
13	24001430	SCREW, S.S (6-32 X 1)	2
14	24001301	SCREW (8-18 X 3/8")	1
15	24001429	COVER, JUNCTION BOX	1
16	-----	NOT REQUIRED PART OR SEE NOTE Note: PART NUMBER NOT AVAILABLE	0
17	24001433	HOLDER, FUSE	1
18	24001225	FUSE, CONTROL (2AMP)	1
19	24001436	GROMMET, BUSHING	2
20	24001434	CONNECTOR, GROUND	1
21	24001432	SCREW, S.S. (#8-32 X 3/8)	5
22	24001775	FLOW RESTRICTOR ASSY.	1
23	24001442	HOSE, SOAP DISPENSER	1
24	24001033	HOSE, VACUUM BREAKER	1
25	24001781	HOSE	1
26	24001783	HOSE	1
27	-----	NOT REQUIRED PART OR SEE NOTE Note: PART NOT USED	0
28	24001767	HOSE	1
29	24001788	HOSE	1
30	24001771	HOSE	1
31	24001792	HOSE	2
32	24001794	HOSE	2
33	24001794	HOSE	2
34	24001423	CLAMP, HOSE (#8)	21
35	24001797	CLAMP (SIZE 24)	4
36	24001282	CLAMP, HOSE (#48)	1
37	24001353	CLAMP, HOSE (#40)	3
38	24001414	SCREW, S.S. (#6-32 X 1/2 PLTD)	10
39	24001342	NUT, LOCK (8-32)	1
40	24001432	SCREW, S.S. (#8-32 X 3/8)	1
41	24001425	NUT, FIBERLOCK, PLTD (6-32)	8

*Color Code (-)=Not Shown #=Series, Serial Prefix or Run No., N=Not Available

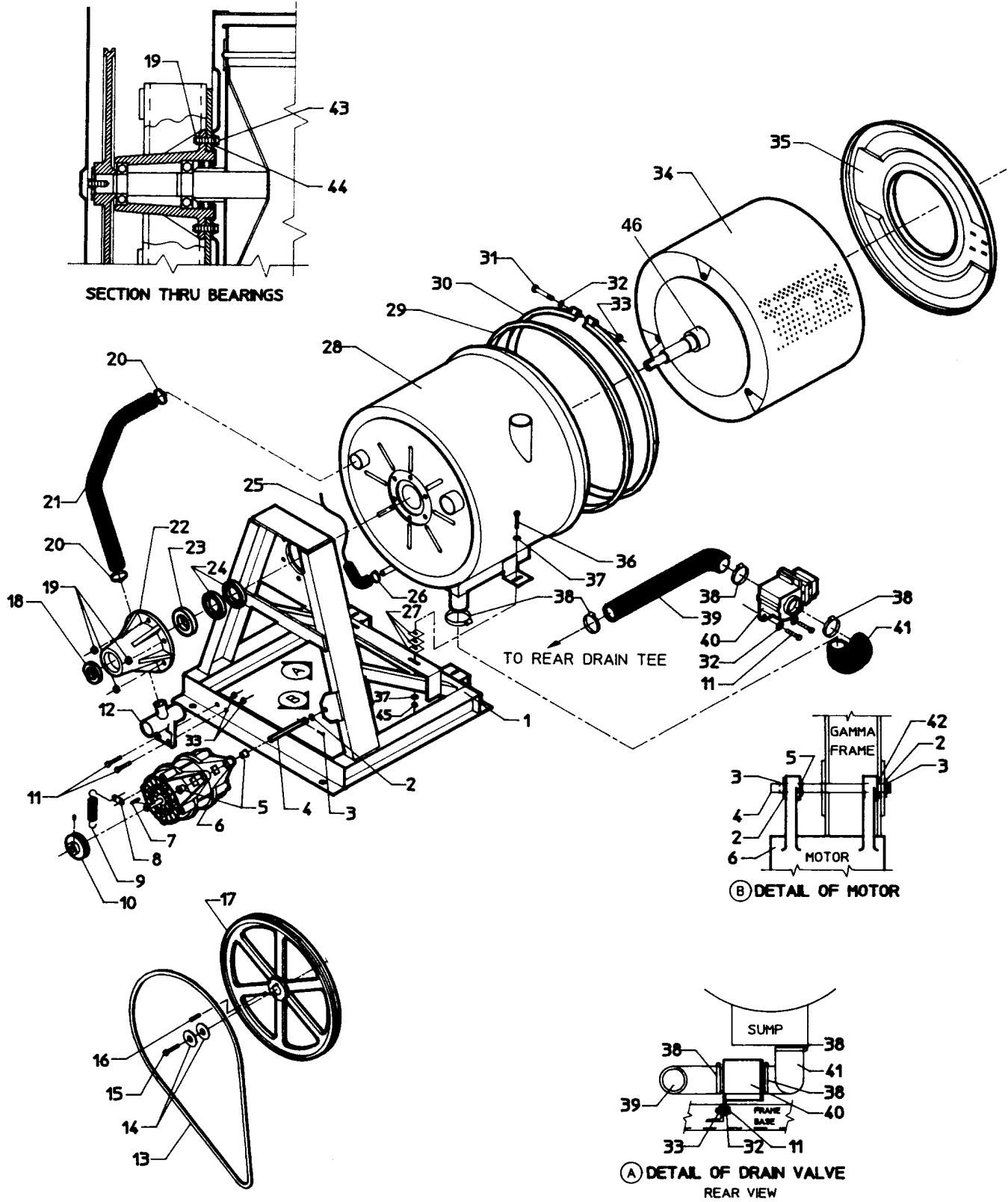
Section: WATER VALVE (MAF35MC4V*)

No.	Part No.	Description	Series	Qty
-	24001120	VALVE-1WAY (13MM)(110-127V)		1
-	24001119	VALVE-1WAY (10MM)(110-127V)		1
1	24001232	COIL, WATER VALVE		1
2	24001122	KIT, VALVE REPAIR (13MM)		1
2	24001121	KIT, VALVE REPAIR (10MM)		1
3	24001226	VALVE, MIXING (3 WAY)		1
-	24001448	SEAL (W110-012)		2
-	24001549	FILTER, MESH (11MM US THREAD)		2
4	24001634	SCREEN, VALVE		2
5	24001231	KIT, DIAPHRAM (SHORT) Note: KIT, REPAIR (10MM) MODELS ONLY)	(FOR USE IN MIXING VALVE	2
5	24001122	KIT, VALVE REPAIR (13MM) Note: KIT, REPAIR (13MM)		2
6	24001232	COIL, WATER VALVE		1

*Color Code (-)=Not Shown #=Series, Serial Prefix or Run No., N=Not Available

Section: SUB ASSEMBLY (MAF35MC4V*)

Model: MAF35MC4VS



721129

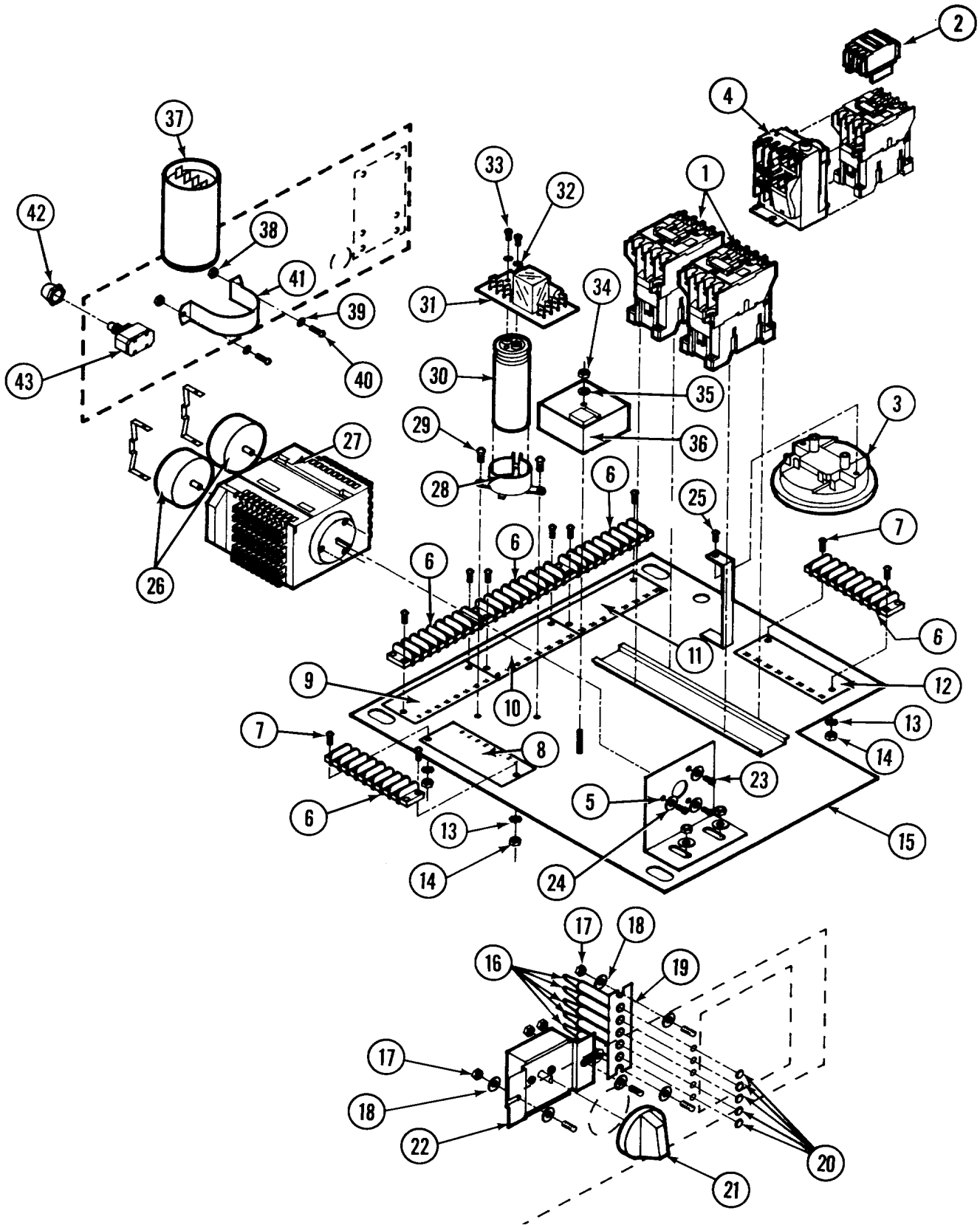
Section: SUB ASSEMBLY (MAF35MC4V*)

No.	Part No.	Description	Series Qty
1	24001371	KIT ASSY., FRAME (2 SPEED)	1
2	24001511	WASHER, HARDENED (PLTD. 5/8)	2
3	24001512	PIN, COTTER PLTD. (1/8X1 1/2)	2
4	24001802	SUPPORT ROD, MOTOR	1
5	24001021	BUSHING, MOTOR (UC/UW)	2
6	24001083	MOTOR,2SP (208-240/60/3)	1
-	24001017	BEARING, 6205-2RS	2
7	24001648	KEY (MOTOR 3/16" X 1 1/2")	1
8	24001651	CLIP, MOTOR SPRING	1
9	24001650	SPRING (BELT TENSION)	1
10	24002042	PULLEY, MOTOR	1
11	24001502	SCREW (1/4"-20 X 3/4")	4
12	24001826	CONNECTION, TEE-DRAIN	1
13	24001095	BELT, V (3V-830)	1
14	24001501	WASHER, S.S.	2
15	24001500	SCREW, S.S. (3/8"-16X1)	1
16	24001499	KEY (3/8" X 1 1/4")	1
17	-----	NOT REQUIRED PART OR SEE NOTE	0
18	24002048	BEARING, 6308-2RS	1
19	24001495	NUT, FIBERLOCK (9/16"-12)	6
19	24001563	NUT, FIBERLOCK	6
20	24001283	CLAMP, HOSE (#28)	2
21	24001506	HOSE, OVERFLOW	1
22	24001260	KIT, TRUNNION (2SP)	1
23	24002048	BEARING, 6308-2RS	1
24	24001020	SEAL, SHAFT (130MM)	2
25	24001661	AIR TRAP Note: HOSE, AIR DOME	1
26	24001438	CLAMP, HOSE (#10)	1
27	24001803	SHIM, SHELL	3
28	24001377	KIT, SHIELD RETRO	1
29	24001184	GASKET KIT (FRONT SHELL)	1
30	24001389	KIT, BAND SHELL	1
31	24001215	KIT, BAND FASTENER	1
32	24001215	KIT, BAND FASTENER	3
33	24001215	KIT, BAND FASTENER	7
34	24001804	BASKET	1
35	24001385	KIT, FRONT SHELL	1
36	24001657	BOLT (S.S. 3/8-16 X 1 1/2")	2
37	24001516	WASHER, FLAT PLTD. (3/8")	4
38	24001353	CLAMP, HOSE (#40)	4
39	24001660	HOSE, DRAIN (REAR)	1
40	24001116	VALVE, DRAIN (2" 110V,60HZ)	1
41	24001565	HOSE, DRAIN (FRONT)	1
42	24001805	TRIM, FRONT PANEL	1
43	24001807	BOLT, S.S.	6
43	24001497	BOLT, S.S. (9/16-12 X 2 1/2)	6
44	24001810	WASHER, FLAT	6
44	24001809	WASHER, FLAT	3
45	24001515	NUT, FIBERLOCK PLTD. (3/8-16)	2
46	24001271	COLLAR (2SP)	1

*Color Code (-)=Not Shown #=Series, Serial Prefix or Run No., N=Not Available

Section: CONTROL MODULE (MAF35MC4V*)

Model: MAF35MC4VS



CW11-31

Section: CONTROL MODULE (MAF35MC4V*)

No.	Part No.	Description	Series Qty
1	24001105	CONTACTOR (120V)	1
2	24001104	CONTACTOR, AUX. ADDER	1
3	24001223	SWITCH, TRI LEVEL	1
4	24001233	PROTECTOR, OVERLOAD	1
5	-----	NOT REQUIRED PART OR SEE NOTE Note: PART NUMBER NOT AVAILABLE	1
6	24001412	TERMINAL STRIP	5
7	24001414	SCREW, S.S. (#6-32 X 1/2 PLTD)	10
8	N 24001026	DECAL,INSUL. TERM STRIP (1-8)	1
9	N 24001027	DECAL,INSUL. TERM STRIP (9-16)	1
10	N 24001028	DECAL,INSUL. TERM STRIP (17-24)	1
11	N 24001029	DECAL,INSUL. TERM STRIP (25-32)	1
12	24001030	DECAL,INSUL. TERM STIRP (33-40)	1
13	24001415	WASHER, S.S. (#6 EXT. TOOTH)	14
14	24001417	NUT, BRASS (#6-32)	1
15	-----	NOT REQUIRED PART OR SEE NOTE Note: PART NUMBER NOT AVAILABLE	1
16	24001209	LIGHT, NEON (1/3W, 125VAC)	5
17	24001342	NUT, LOCK (8-32)	5
18	24001576	WASHER, FLAT (PLATED)	5
19	24001214	BRACKET, MOUNTING Note: BRACKET, IND. LIGHT (5 LIGHTS)	1
19	24001841	BRACKET, IND. LIGHT (4 LGIHTS)	1
20	24001210	LENS, AMBER (LEXAN SHORT)	5
21	24001204	KNOB	1
22	24001207	SWITCH, CYCLE SELECT (ROTARY)	1
23	24001357	SCREW	3
24	24001358	WASHER, FLAT (#10)	3
25	24001411	SCREW, S.S. (6-32 X 3/8 PLTD)	1
26	24001577	MOTOR, TIMER (110V 60HZ)	2
27	24001178	CYCLE KIT, TIMER (120V)	1
28	-----	NOT REQUIRED PART OR SEE NOTE Note: PART NUMBER NOT AVAILABLE	1
29	24001578	SCREW, S.S. (6-32 X 1/4")	2
30	24001247	CAPACITOR, DOOR LOCK	1
31	24001248	PC BOARD, DOOR LOCK	1
32	24001579	WASHER, S.S. (#10 LOCK EXT.)	2
33	24001580	SCREW, S.S. (#10-32 X 3/8")	2
34	24001419	NUT, PLTD (1/4-#20 HEX)	1
35	24001295	LOCKWASHER	1
36	24001176	RELAY, TIME OFF DELAY	1
37	24001235	KIT, SWITCH (ELMO MOTORS)	1
38	24001425	NUT, FIBERLOCK, PLTD (6-32)	2
39	24001576	WASHER, FLAT (PLATED)	2
40	24001593	SCREW	2
41	24001594	BRACKET, SINPAC SWITCH	1
42	24001744	BOOT, PUSH BUTTON	1
43	24001254	SWITCH, MOMENTARY	1
-	24001245	FUSE, SLO BLO (1AMP)	1

*Color Code (-)=Not Shown #=Series, Serial Prefix or Run No., N=Not Available

