

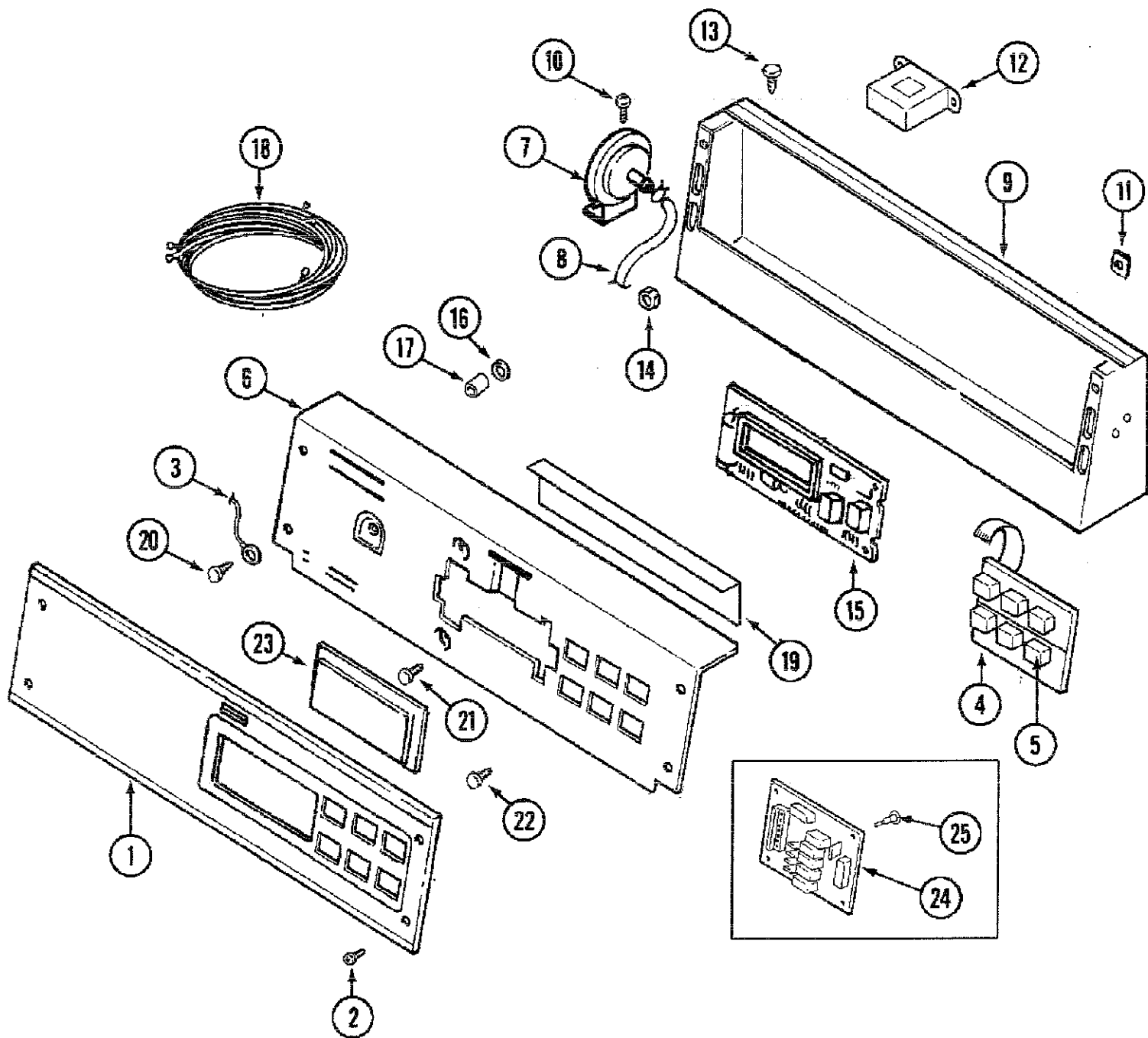
**MAYTAG**

**Maytag  
Commercial**

**Maytag  
Commerical**

**MODEL:  
MAH20PD**

# Illustrated Parts Lookup - MAH20PDAWW, 01 - CONTROL PANEL (PD/PS)

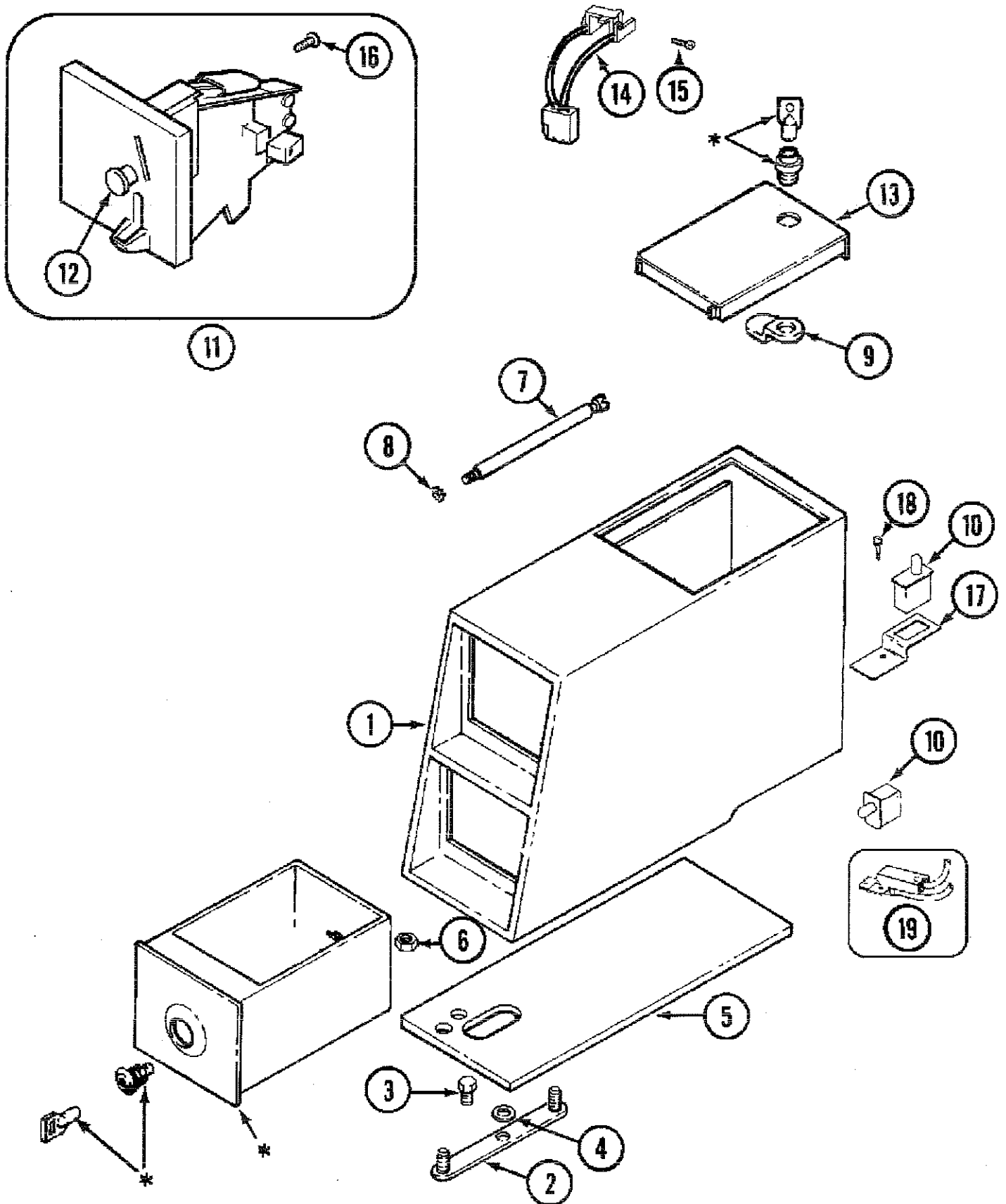


# Illustrated Parts Lookup

## Parts for COMMERCIAL LAUNDRY Model "MAH20PDAWW", Image Section "01 - CONTROL PANEL (PD/PS)"

Item	Part Number	Part Description	Alt Part	Series	Qty
1	22002043	PANEL, CONTROL	22004349	10	1
2	215506	SCREW, CONTROL PANEL		10	4
3	205810	WIRE, GROUND		10	1
4	206808	CONTROL SWITCH ASSEMBLY	W10135389	10	1
	215527	SCREW, CONTROL SWITCH	W10140652	10	2
5	215517	PUSHBUTTON, CONTROL SWITCH	W10131113	10	2
6	22002036	SWITCH BRKT & BACK BRKT (WHT)		10	1
	22002929	SWITCH BRKT & BACK BRKT (BSQ)		10	-
	22003094	SWITCH & BACK BRKT ASY. (WHT)		48	1
	22003095	SWITCH & BACK BRKT ASY. (BSQ)		48	-
7	22002048	SWITCH, PRESSURE	22002921	10	1
	22002994	SWITCH, PRESSURE		44	1
8	22002010	HOSE, PRESSURE SWITCH		10	1
9	22002329	CONSOLE (WHT)		10	1
	22002889	CONSOLE (BSQ)		10	-
	22003088	CONSOLE (BSQ)		48	-
	22003089	CONSOLE (WHT)		48	1
10	22001996	SCREW, CONSOLE	3370225	10	5
11	215003	FASTENER, SCREW		10	2
12	22001960	TRANSFORMER		10	1
13	211251	SCREW, TRANSFORMER		10	2
14	22001419	NUT, TRANSFORMER		10	2
15	22002953	BOARD, CONTROL	22004335	10	1
16	912077	LOCKNUT, CONTROL BOARD		10	6
17	33001204	STANDOFF, CIRCUIT BOARD		10	4
18	22002945	HARNESS, WIRE		10	1
19	22002954	DEFLECTOR, WATER (W/ADHESIVE)		10	2
20	211252	SCREW, GROUND WIRE		10	1
21	215526	SCREW, CIRCUIT BOARD		10	2
22	215527	SCREW, BACK BRACKET	W10140652	10	2
23	22001962	COVER, DISPLAY	W10131114	10	1
24	22002942	BOARD, RELAY (DRS)	22004172	10	1
25	22002943	STAND-OFF		10	4

Illustrated Parts Lookup - MAH20PDAWW, 02 - CONTROL CENTER (PD)



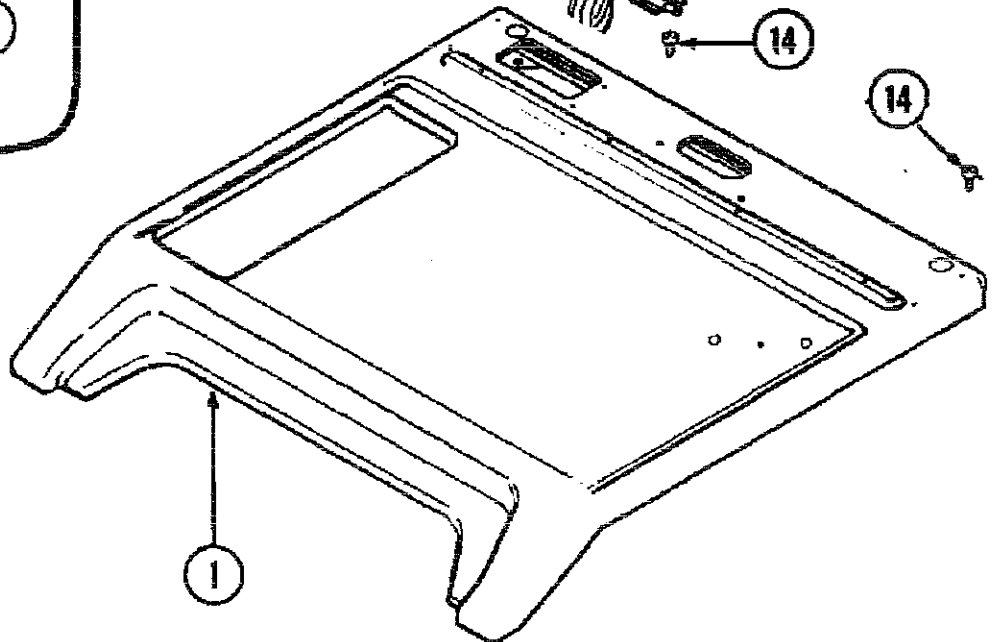
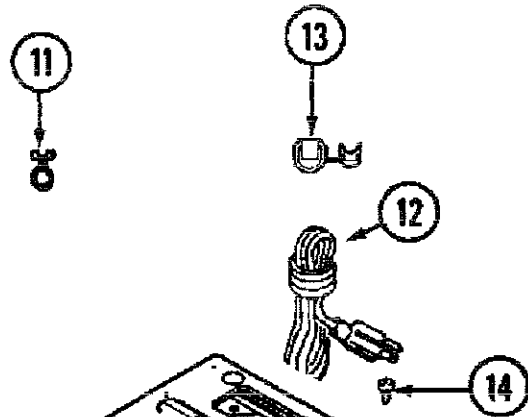
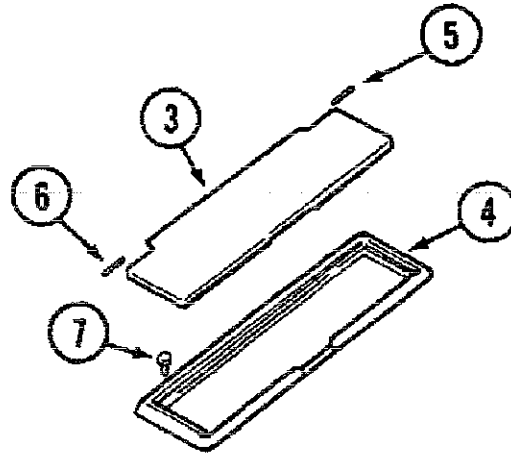
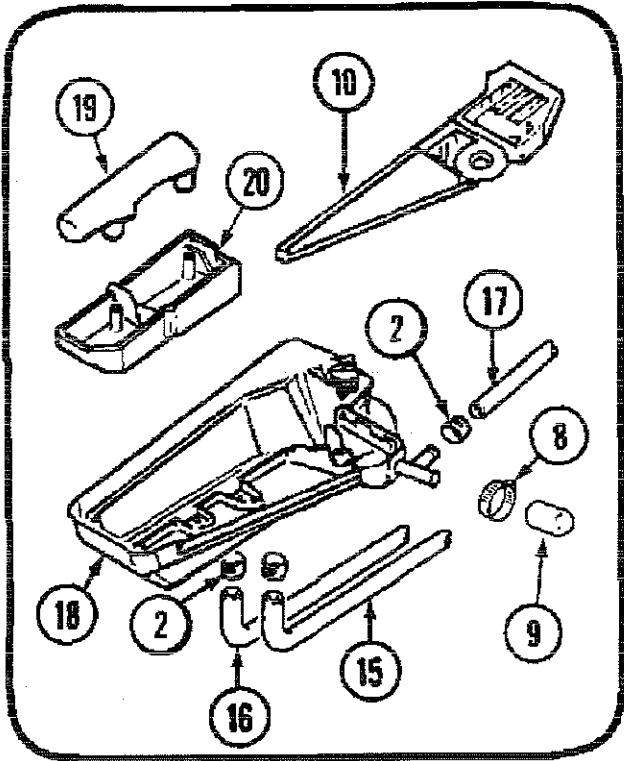
\* CONTACT YOUR COMMERCIAL LAUNDRY DISTRIBUTOR

# Illustrated Parts Lookup

## Parts for COMMERCIAL LAUNDRY Model "MAH20PDAWW", Image Section "02 - CONTROL CENTER (PD)"

Item	Part Number	Part Description	Alt Part	Series	Qty
1	22002480	VAULT, COIN (WHT)PD		10	1
	33002428	(BSQ)	22002480	10	-
2	22001810	STRAP, MOUNTING		10	1
3	22001996	SCREW, MOUNTING STRAP	3370225	10	1
4	910309	WASHER, MOUNTING STRAP		10	1
5	22002072	GASKET, CONTROL CENTER (WHT)		10	1
	22002618	(BSQ)		10	-
6	Y052740	NUT, CASE MOUNTING		10	2
7	213035	BOLT, LOCKING		10	2
8	910181	LOCKWASHER, LOCKING BOLT		10	2
9	NLA	CAM, LOCKING		10	1
10	33001250	SWITCH, SENSOR		10	2
	912012	SCREW, SENSOR SWITCH	3400409	10	2
11	22001873	DROP ASSY., COIN	22004112	10	1
	22001875	COIN DROP ASY (CAN)		10	1
	22002144	SINGLE FACEPLATE		10	1
	22002535	COIN DROP ASY-DUAL (CAN)	W10133245	10	1
	22003815	DUAL FACEPLATE		10	1
12	216200	BUTTON, RETURN		10	1
13	22001910	DOOR, ACCESS (WHT)	22003679	10	1
	22002886	(BSQ)	22003692	10	-
14	22001965	SWITCH ASSY., OPTIC		10	1
15	314665	SCREW, OPTIC SWITCH		10	1
16	216068	SCREW, COIN DROP		10	3
17	22001404	BRACKET, SWITCH		10	1
18	22001069	SCREW, SWITCH BRACKET		10	1
19	22001966	HARNESS, SENSOR SWITCH		10	1

Illustrated Parts Lookup - MAH20PDAWW, 03 - TOP

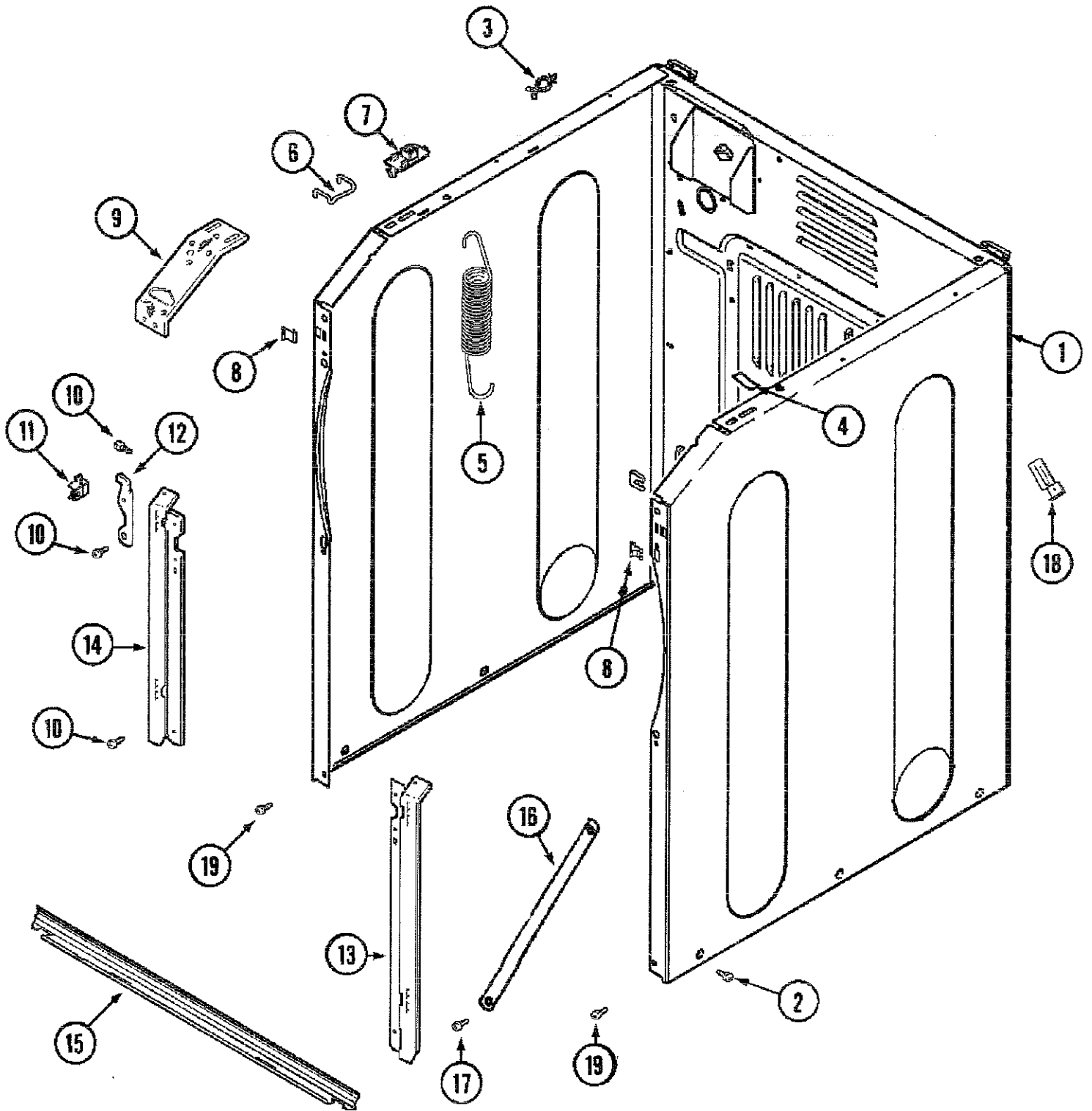


# Illustrated Parts Lookup

Parts for COMMERCIAL LAUNDRY Model "MAH20PDAWW", Image Section "03 - TOP"

Item	Part Number	Part Description	Alt Part	Series	Qty
1	22002116	COVER, TOP (WHT)		10	-
	22002666	COVER, TOP (BSQ)		10	-
	22003584	COVER, TOP (WHT-AS PK)	22004180	67	1
	22003586	COVER, TOP (WHT-AS PK)	22004178	67	-
	22003587	COVER, TOP (BSQ-AS PK)	22004181	67	-
	NLA	COVER, TOP (WHT)		10	1
2	205161	CLAMP, HOSE	489503	10	4
3	22002941	LID, DISPENSER		10	1
4	22002940	BEZEL, DISPENSER	22003665	10	1
5	Y912678	PIN, HINGE (LONG)		10	1
6	Y912679	PIN, HINGE (SHORT)		10	1
7	22002060	SCREW, DISPENSER BEZEL	400021-1	10	4
8	22001984	CLAMP, DRAIN HOSE		10	1
9	22002796	CAP		10	1
10	22002555	FLUME, DISPENSER		10	1
11	212276	SCREW, WIRE TIE	W10116760	10	1
	22002027	WIRE TIE, TWIST LOCK	74007164	10	2
12	22001178	CORD, POWER	22003062	10	1
13	211881	GROMMET, CORD		10	1
14	912365	SCREW, POWER CORD & GROUND	3370225	10	1
15	22002551	HOSE, BLEACH		10	1
16	22002552	HOSE, FABRIC SOFTENER----NA		10	1
17	22002553	HOSE, DETERGENT		10	1
18	22002554	BOTTOM, DISPENSER	12001558	10	1
19	22002266	CAP, SIPHON		10	1
20	22002265	CUP, SIPHON		10	1

Illustrated Parts Lookup - MAH20PDAWW, 04 - CABINET-FRONT



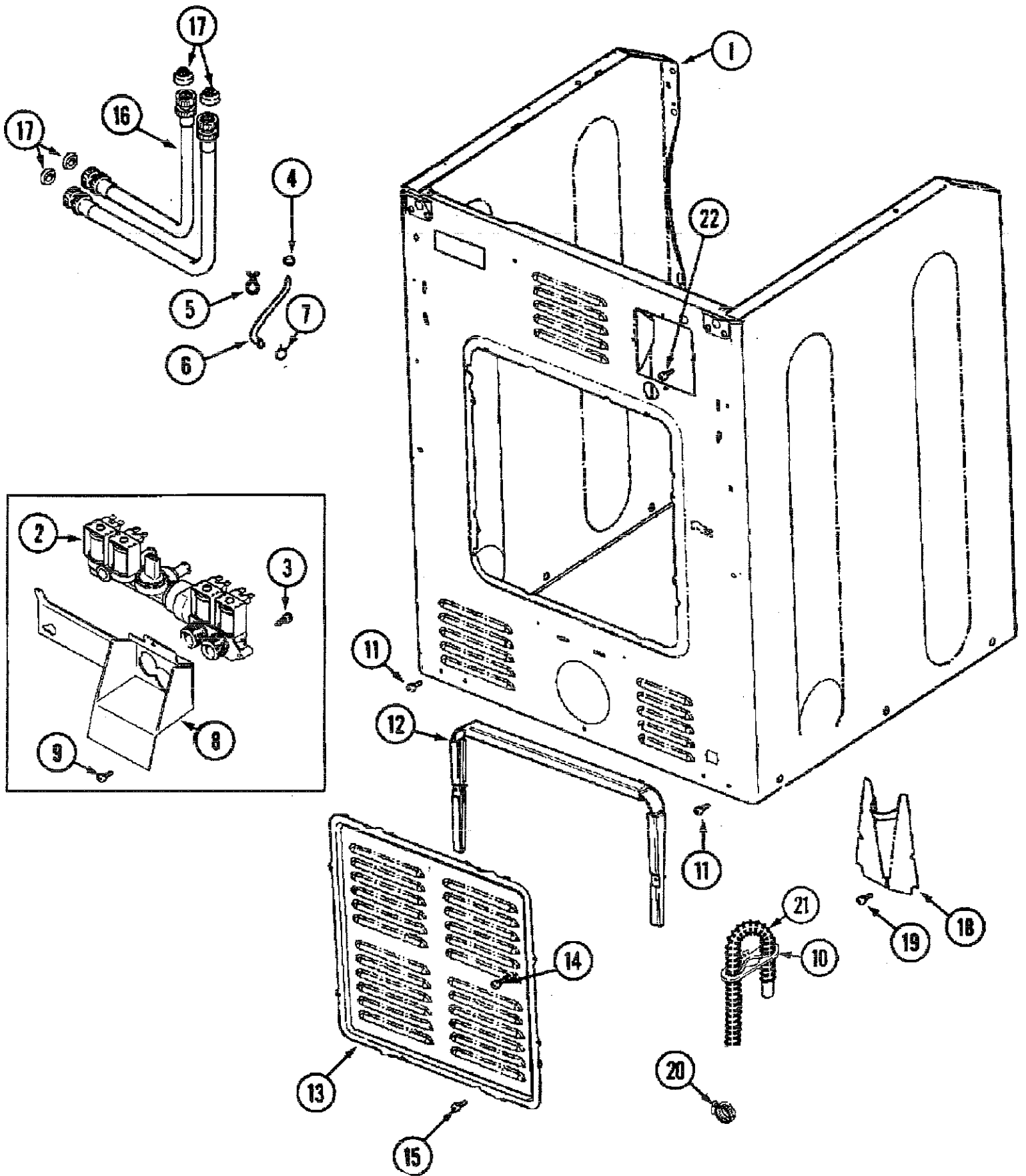


# Illustrated Parts Lookup

## Parts for COMMERCIAL LAUNDRY Model "MAH20PDAWW", Image Section "04 - CABINET-FRONT"

Item	Part Number	Part Description	Alt Part	Series	Qty
1	22002293	INSULATION, CABINET (ONE ON EACH SIDE)	22003511	10	2
	22003639	CABINET ASSY. (WHT AS PK)		72	1
	NLA	CABINET ASSY. (WHT)		10	1
2	213007	SCREW, CABINET	213007	10	6
	22003409	SCREW, CABINET (TRUSS)		67	6
3	315471	RETAINER, WIRE	22003298	10	2
4	33001836	STRAP, TOP COVER SUPPORT		10	1
5	22002100	SPRING		10	2
6	22002297	SUPPORT, SPRING		10	2
7	22001997	SPACER, TOP COVER		10	2
8	22002049	CLIP, FRONT PANEL		10	2
9	22002090	BRACE, CORNER (RT)		10	1
	22002292	BRACE, CORNER (LT)		10	1
	22003637	BRACE ASSEMBLY, TOP CROSS		69	1
10	22001995	SCREW, CLIP TO SECURITY HOOK		10	8
11	22002001	SUPPORT, HINGE		10	4
12	22002247	HOOK, SECURITY	33002597	10	2
13	22002034	BRACKET, SHROUD SUPPORT (RT)	22003224	10	1
14	22002035	BRACKET, SHROUD SUPPORT (LT)	22002985	10	1
15	22001993	BRIDGE, SHROUD SUPPORT		10	1
16	22002259	BRACE, CROSS	22002767	10	2
	22003637	BRACE ASSEMBLY, TOP CROSS		69	1
17	22001995	SCREW, CROSS BRACE		10	2
18	22001996	SCREW, AIR DOME HOSE BRACKET	3370225	10	1
	22002178	BRACKET, AIR DOME HOSE		10	1
	22001995	SCREW, FRONT CABINET		10	2

Illustrated Parts Lookup - MAH20PDAWW, 05 - CABINET-REAR

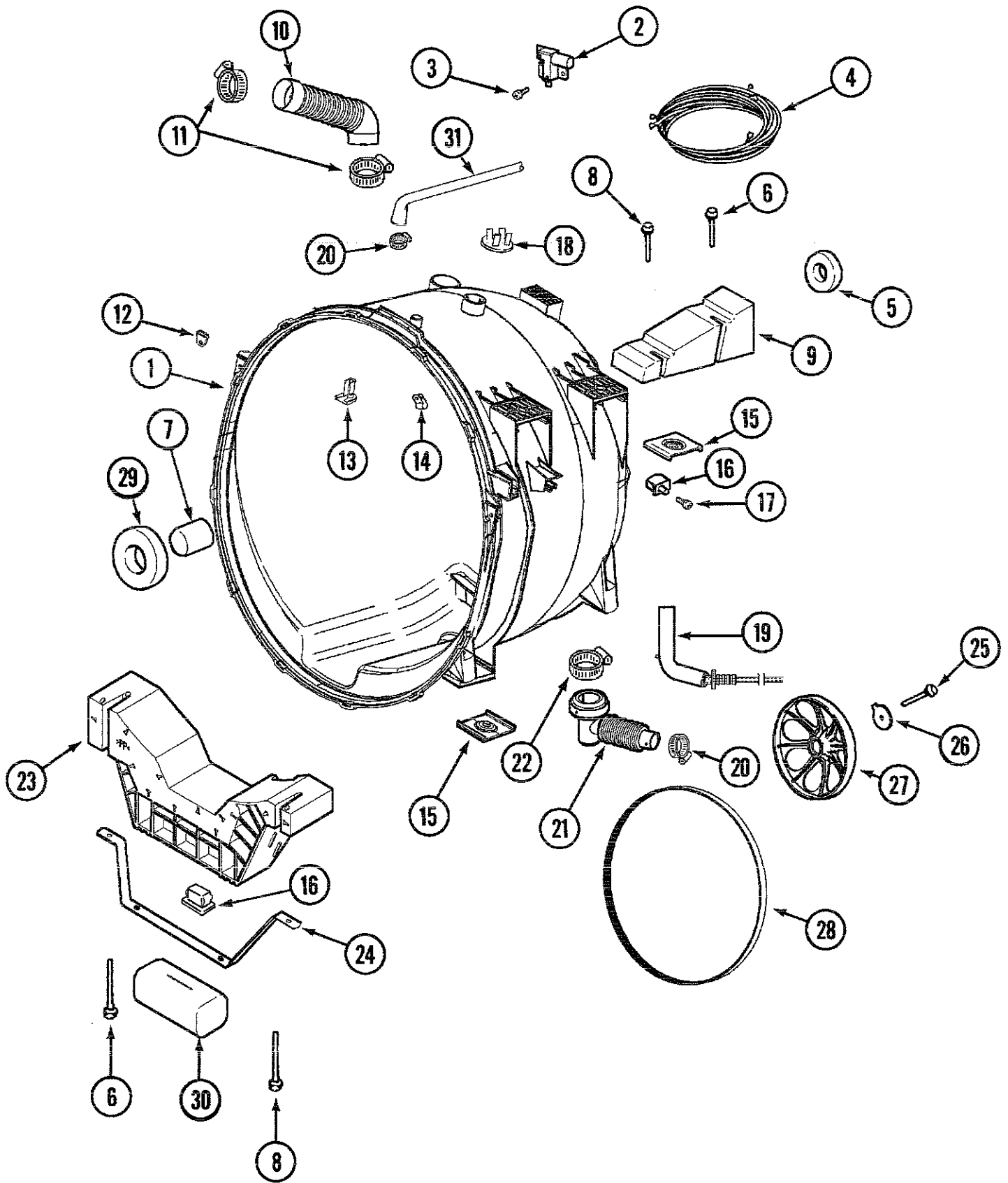


# Illustrated Parts Lookup

## Parts for COMMERCIAL LAUNDRY Model "MAH20PDAWW", Image Section "05 - CABINET-REAR"

Item	Part Number	Part Description	Alt Part	Series	Qty
1	22001995	SCREW, HINGE		67	2
	22002444	LABEL, ENERGY		10	1
	22002445	LABEL, SAFETY		10	1
	22003367	HINGE, PLASTIC	22004095	67	2
	NLA	CABINET ASSY. (WHT)		10	1
2	205161	CLAMP, HOSE (BLEACH HOSE)	489503	10	3
	22002944	VALVE, WATER		10	1
3	22002436	SCREW, WATER VALVE		10	2
4	22002054	CLAMP, STEPLESS	285655	10	1
5	22002027	WIRE TIE, TWIST LOCK	74007164	10	2
6	22002179	TIE, CABLE	8539404	10	1
	22002296	HOSE, INJECTOR		10	1
7	216169	CLAMP, INJECTOR HOSE	596669	10	1
8	33002212	BRACKET, WATER VALVE		10	1
9	22001996	SCREW, WATER VALVE BRACKET	3370225	10	2
10	22002076	STRAP, DRAIN HOSE	33002213	10	1
11	22001995	SCREW, CABINET		10	2
12	22002022	SPACER, ACCESS PANEL		10	1
13	22002092	PANEL, ACCESS		10	1
14	22002295	SCREW, ACCESS PANEL SPACER		10	2
15	22001996	SCREW, ACCESS PANEL	3370225	10	2
16	202860	INLET HOSE ASSEMBLY		10	2
	22002229	STRAINER	22002960	10	2
17	Y013783	WASHER, INLET HOSE		10	4
18	22002093	COVER, DRAIN HOSE	22002704	10	1
19	22001995	SCREW, DRAIN HOSE COVER		10	1
20	22001984	CLAMP, DRAIN HOSE		10	1
21	12001659	DRAIN HOSE REPLACEMENT(NEPTUN) (CORRU	12001807	10	1
	22002891	HOSE, DRAIN (CORRUGATED)	12001807	10	1
	22002893	TIE, CABLE	8539404	10	1
	22002932	CLIP, DRAIN HOSE		10	1
22	NLA	SCREW, GROUND LUG		10	1
23	NLA	WASHER, GROUND LUG		10	1
24	22002892	RETAINER, DRAIN HOSE		10	1

Illustrated Parts Lookup - MAH20PDAWW, 06 - OUTER TUB

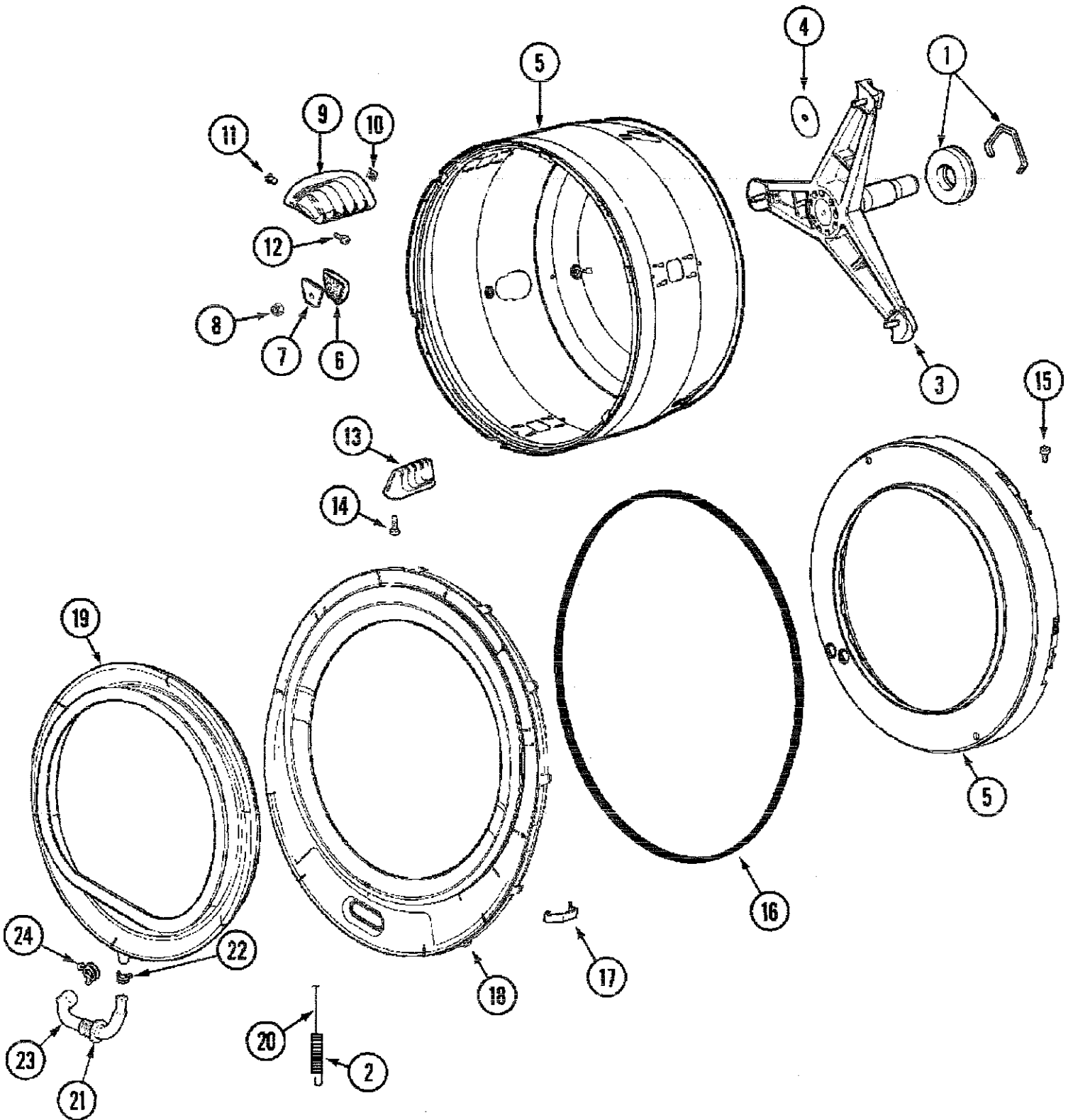


# Illustrated Parts Lookup

## Parts for COMMERCIAL LAUNDRY Model "MAH20PDAWW", Image Section "06 - OUTER TUB"

Item	Part Number	Part Description	Alt Part	Series	Qty
1	22002154	TUB ASSY. (OUTER)	22004465	10	1
2	22002045	SWITCH, INERTIAL - UNBALANCE	22003302	10	1
3	22002300	SCREW	9740848	10	2
4	33002216	WIRE HARNESS, UNBALANCE /COMM	12001798	10	1
5	22003441	BEARING, REAR		62	1
	Y200720	BEARING, REAR	22003441	10	1
6	22001991	BOLT (LONG)	22003615	10	2
7	22002935	SPACER, BEARING		10	1
8	22002056	BOLT (SHORT)	22003616	10	2
9	22002102	WEIGHT, COUNTER BALANCE		10	1
10	22002083	HOSE, INJECTOR		10	1
11	22002052	CLAMP, INJECTOR HOSE	616099	10	2
12	22002103	CLIP, U		10	2
13	22002004	DEFLECTOR, WATER	22004310	10	1
	22002959	DEFLECTOR, WATER	22004310	42	1
14	22002006	CLIP, WIRE HARNESS & OUTER TUB		10	3
15	22002065	NUT, COUNTER BALANCE		10	2
16	22002044	SWITCH, TUB DISPLACEMENT		10	2
17	22002061	SCREW		10	1
18	22002061	SCREW, SADDLE HORN CLIP		10	1
	22002797	CLIP, HOSE (SADDLE HORN)		10	1
19	22002010	HOSE, AIR DOME		10	1
	22002799	CLIP, SNAP ----S?? (AIR DOME HOSE/UPR SUB)		10	1
20	202515	CLAMP, HOSE	596669	10	1
21	22002793	HOSE, OUTLET W/FILTER (6 1/2")	22002958	10	1
	22002958	HOSE, OUTLET (TUB)		42	1
22	22002053	CLAMP, SUMP HOSE		10	1
23	22002579	WEIGHT ASSEMBLY (FRT)		10	1
24	22002008	STRAP		10	1
25	22002057	SCREW, SPINNER	22003937	10	1
26	22002055	WASHER, SPINNER SHAFT	22003936	10	1
27	22001998	PULLEY, SPINNER	22002315	10	1
28	12001435	BELT KIT, DRIVE	12001788	10	1
29	22002934	BEARING, FRONT		10	1
30	22002011	CUSHION	22003225	10	1
31	22002027	WIRE TIE, TWIST LOCK (UPR SUB HARNESS TO	74007164	10	3
	22002791	HOSE/CLIP ASSY.(RECIRCULATION)		10	1

Illustrated Parts Lookup - MAH20PDAWW, 07 - SPINNER ASSEMBLY OUTER TUB COVER

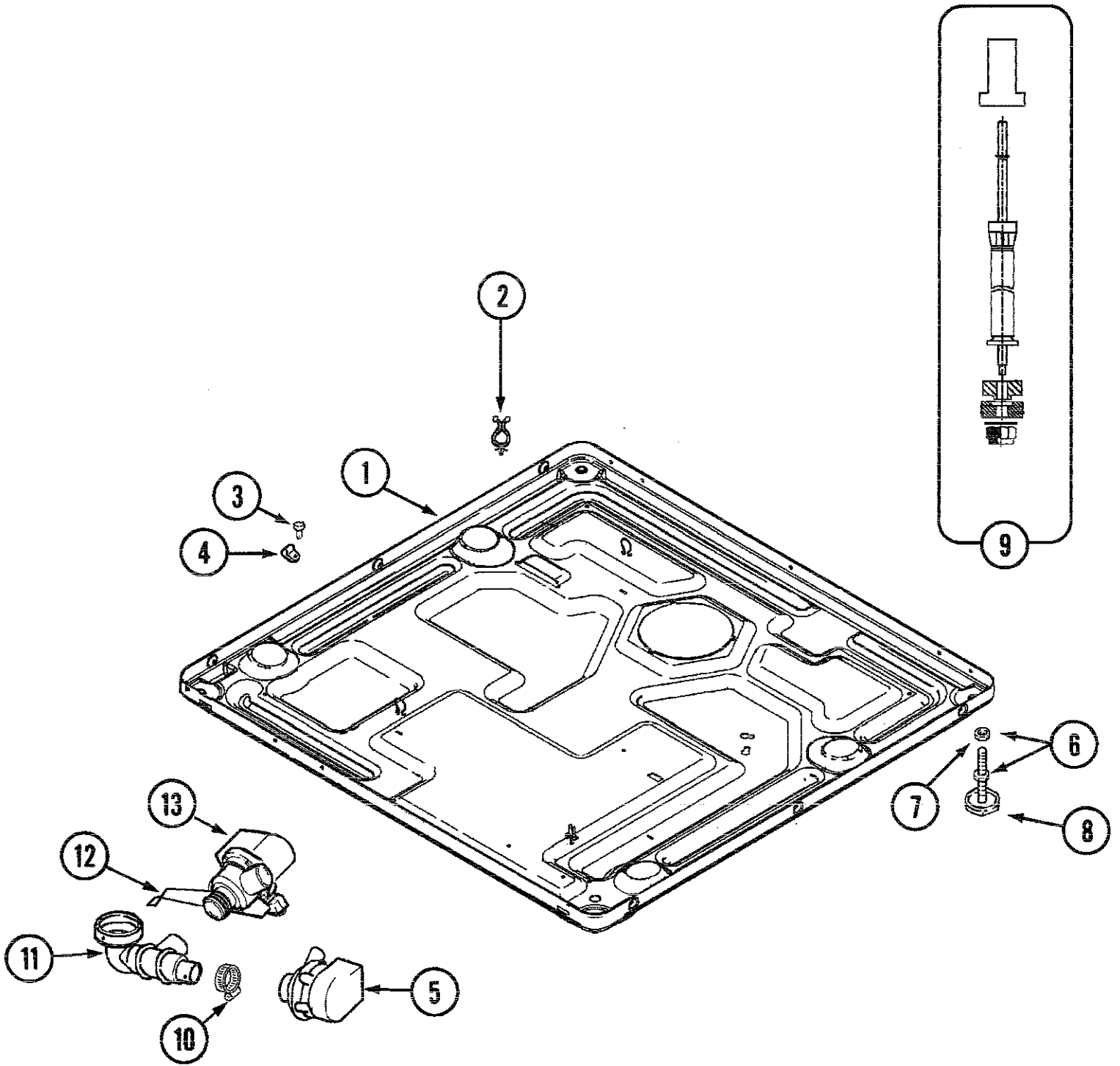


# Illustrated Parts Lookup

## Parts for COMMERCIAL LAUNDRY Model "MAH20PDAWW", Image Section "07 - SPINNER ASSEMBLY & OUTER TUB COVER"

Item	Part Number	Part Description	Alt Part	Series	Qty
1	12001478	LIP SEAL SVC ASSY.	12002022	10	1
2	22002099	SPRING, TUB		10	1
3	22002123	TUBE, MOLYKOTE		10	1
	22002897	SUPPORT ASSY., SPINNER	W10181639	10	1
4	22002023	WASHER, PLASTIC		10	3
5	22002115	SPINNER ASSY. (W/BALANCE RING)	6-2717080	10	1
6	22002021	WASHER, PROFILE	22002482	10	3
7	22002020	WASHER, SPINNER SUPPORT		10	3
8	22002122	NUT, SPINNER ATTACHMENT	2207454	10	3
9	22001985	BAFFLE, DRIP (REAR)		10	3
10	22002009	GROMMET, BAFFLE (REAR)		10	3
11	22001999	GROMMET, BAFFLE (FRT)		10	3
12	22002325	SCREW, BAFFLE (REAR)	22003556	10	6
13	22001986	BAFFLE, DRIP (FRONT)		10	3
14	22002059	SCREW, BAFFLE (FRONT)		10	6
15	22002028	PART NEVER USED IN PRODUCTION			
	NLA	SCREW, BALANCE RING		10	1
16	22002077	SEAL, TUB COVER		10	13
17	22002050	CLIP, TUB TO COVER		10	1
18	22002238	COVER, TUB (W/SEAL)	22003212	10	1
	22002961	COVER, TUB (W/SEAL) (ASP)	22003212	42	1
	22003074	GUARD, HOSE		53	1
	22003212	COVER, TUB (W/SEAL) (ASP)--W		53	1
19	12001772	KIT, DOOR BOOT W/DRAIN	12002533	53	1
	22001978	BOOT, DOOR	12002533	10	1
20	22002105	WIRE, BOOT CLAMP	22002327	10	1
21	22003074	GUARD, HOSE		10	1
22	Y22003072	CLAMP, HOSE DOUBLE WIRE	22003072	10	1
23	22003071	DOOR BOOT DRAIN HOSE	22004477	10	1
24	22003073	CLAMP, HOSE DOUBLE WIRE		10	1

Illustrated Parts Lookup - MAH20PDAWW, 08 - BASE



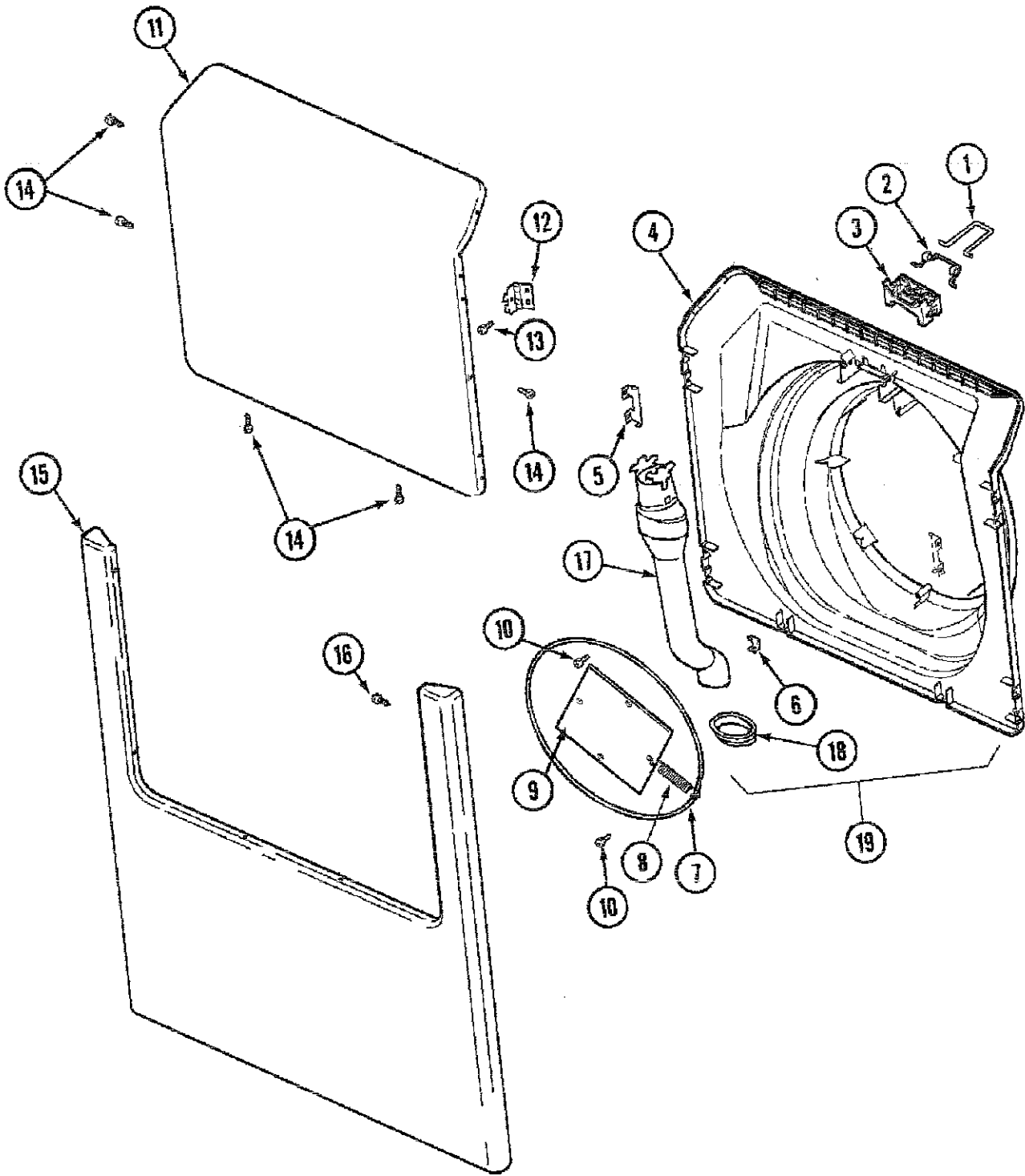


# Illustrated Parts Lookup

Parts for COMMERCIAL LAUNDRY Model "MAH20PDAWW", Image Section "08 - BASE"

Item	Part Number	Part Description	Alt Part	Series	Qty
1	22002240	BASE	22003435	10	1
	22003580	BASE, ASSEMBLY		67	1
	22003605	BASE WELD ASSEMBLY		72	1
2	315471	RETAINER, WIRE	22003298	10	5
3	212276	SCREW, WIRE HARNESS CLIP	W10116760	10	1
4	22002014	CLIP, WIRE HARNESS		10	1
5	22002939	PUMP, DRAIN (80 WATT)	22003059	10	1
	22003059	PUMP, DRAIN (80 WATT)		49	1
6	22001915	ADJUSTABLE LEG & NUT	22003544	10	4
7	Y052740	NUT		10	4
8	210684	FOOT, RUBBER		10	4
9	22001988	STRUT ASSY-REAR		10	1
10	202515	HOSE CLAMP (1-1/16 INCH)	596669	10	1
11	22002793	HOSE, OUTLET W/FILTER (6 1/2")	22002958	10	1
	22002958	HOSE, OUTLET (TUB)		42	1
12	22002790	BRACKET, PUMP MOUNT		10	1
13	202515	CLAMP, HOSE (PUMP/HOSE)	596669	10	1
	22002792	PUMP (RECIRCULATION)		10	1
	22003284	PAD, RECIRCULATION PUMP		10	1

Illustrated Parts Lookup - MAH20PDAWW, 09 - DOOR FRONT PANEL

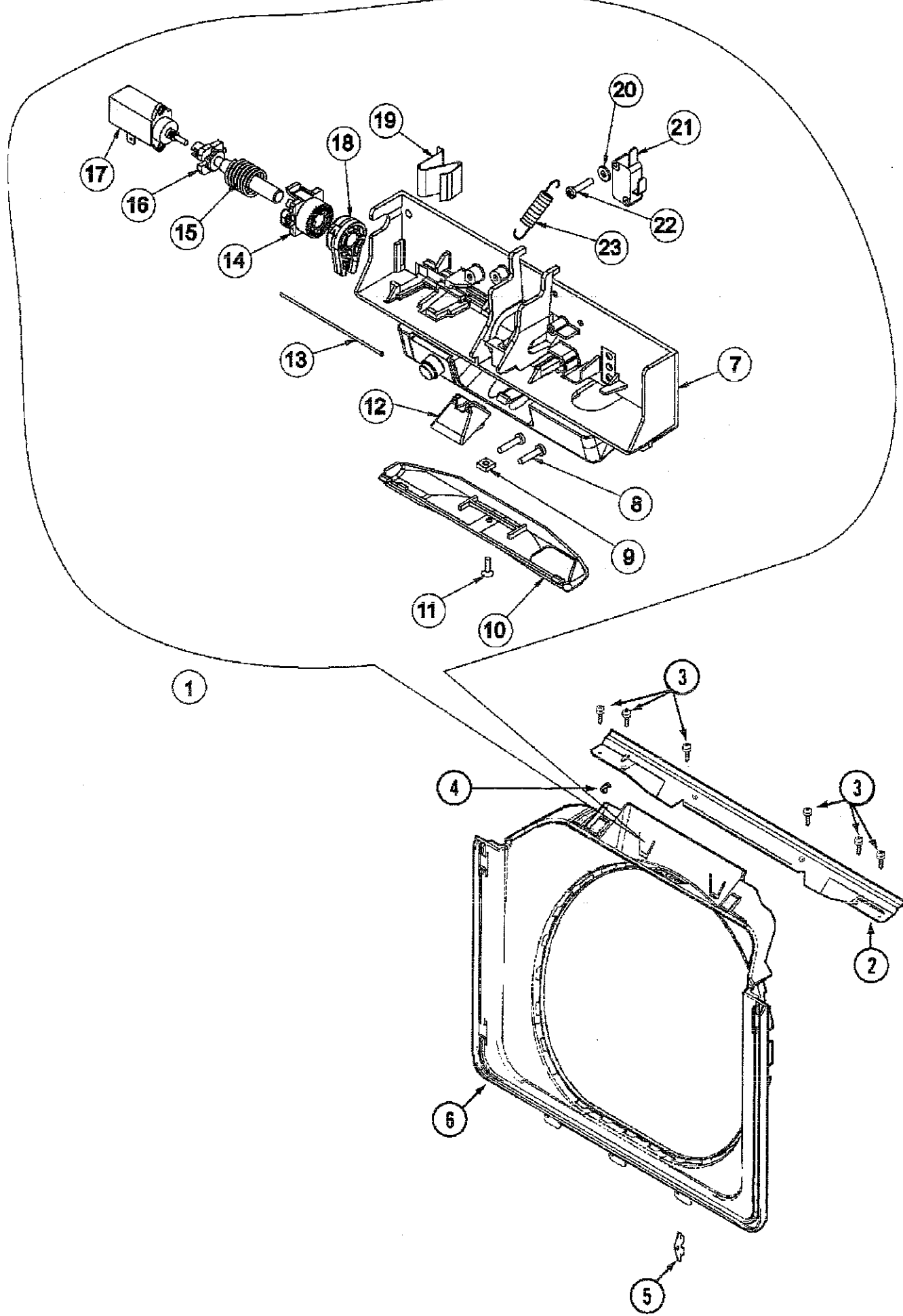


# Illustrated Parts Lookup

## Parts for COMMERCIAL LAUNDRY Model "MAH20PDAWW", Image Section "09 - DOOR & FRONT PANEL"

Item	Part Number	Part Description	Alt Part	Series	Qty
1	22002002	HOOP, LOCK	22003222	10	1
2	22002003	SPRING, LATCH		10	1
3	22002168	SUPPORT, LOCK HOOP		10	1
4	22002539	DOOR, INNER (W/VENT-WHT)	22003083	10	1
	22002615	DOOR, INNER (W/VENT-BSQ)	22003085	10	-
	22003076	DOOR, INNER (WHT)	22003083	50	1
	22003078	DOOR, INNER (BSQ)		50	-
	22003800	INNER DOOR/VENTED (ASPK-WHT)		76	1
5	22002038	CLIP, DOOR (DOUBLE)		10	4
6	22002039	CLIP, DOOR (SINGLE)		10	4
7	22002104	WIRE FRAME		10	1
	W10124350	NOT REQUIRED PART OR SEE NOTE		65	-
8	22002356	SPRING, PLATE		10	2
	W10124350	NOT REQUIRED PART OR SEE NOTE		65	-
9	22002094	PLATE		10	1
	W10124350	NOT REQUIRED PART OR SEE NOTE		65	-
10	22002007	SCREW		10	1
	W10124350	NOT REQUIRED PART OR SEE NOTE		65	-
11	22001979	DOOR, OUTER (WHT-W/DAMPER)		10	1
	22002660	(BSQ-W/DAMPER)		10	-
12	22002000	HINGE, DOOR----SUB	22002798	10	2
13	22002062	SCREW, HINGE	98006631	10	4
14	22002063	SCREW No.8-18AB WAFER HD		10	6
	33002351	SCREW, OUTER DOOR (BSQ)		10	-
15	22002049	CLIP		10	2
	22002663	PANEL, FRONT (BSQ)		10	-
	22002836	PANEL, FRONT (WHT)		10	1
16	22002243	SCREW, FRONT PANEL & HINGE		10	4
	22002244	CLIP, GROUNDING		10	1
17	22002990	VENT TUBE ASSEMBLY	22003850	50	1
18	22003075	GROMMET, VENT TUBE		50	1
19	22003083	LINER, DOOR ASSY W/VENT (WHT)		50	1
	22003085	LINER, DOOR ASSY W/VENT (BSQ)		50	-

Illustrated Parts Lookup - MAH20PDAWW, 10 - DOOR SHROUD DOOR LATCH ASSEMBLY

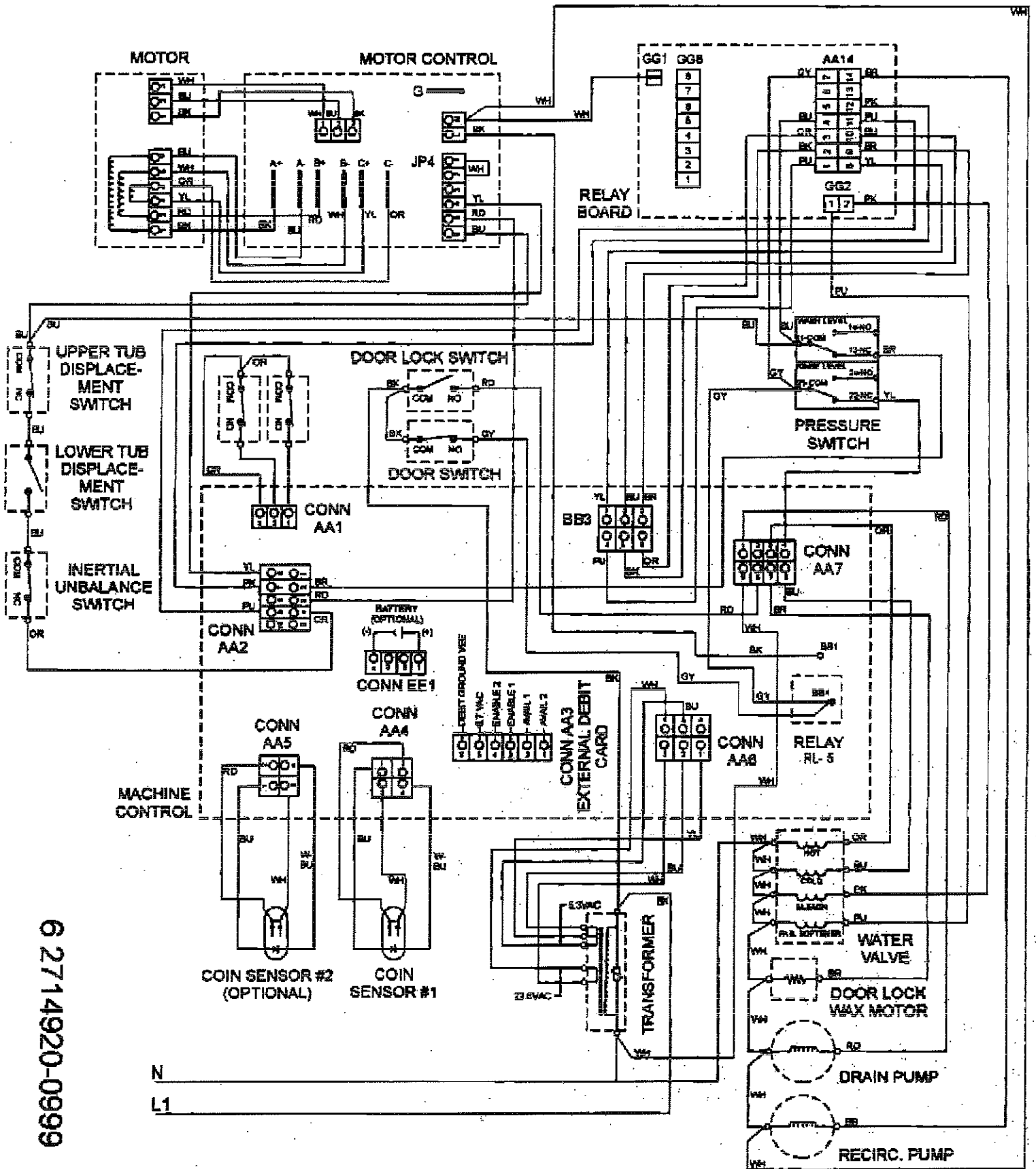


# Illustrated Parts Lookup

## Parts for COMMERCIAL LAUNDRY Model "MAH20PDAWW", Image Section "10 - DOOR SHROUD & DOOR LATCH ASSEMBLY"

Item	Part Number	Part Description	Alt Part	Series	Qty
1	NLA	LATCH, ASSY. (DOM/COMMERCIAL)		10	1
2	22003637	BRACE ASSEMBLY, TOP CROSS		69	1
	33002202	SUPPORT, DOOR LOCK	33002477	10	1
3	22001995	SCREW, DOOR LOCK SUPPORT		10	6
4	22002014	CLIP, WIRE HARNESS		10	1
5	22002095	COVER, HINGE (WHT)	12001994	10	2
	33001764	COVER, HINGE HOLE (WHT)		75	2
	33001846	SCREW		75	2
	33002349	COVER, HINGE HOLE (BSQ)		75	-
6	22002234	SHROUD & DISPENSER HOSE (WHT)		10	1
7	22003722	SWITCH HOLDER ASSY, LATCH		10	1
	NLA	SWITCH, DOOR		10	1
8	22003719	SCREW, LATCH		10	2
9	22003720	NUT, LATCH		10	1
10	22002957	COVER, LATCH ASSEMBLY (LWR)		10	1
11	22002435	SCREW	241877	10	1
12	22003055	RAMP, DOOR HOOP		10	1
13	22002164	CABLE, DOOR		10	1
14	22003715	SLIDING GEAR, LATCH		10	1
15	22003721	SPRING, AXLE / LATCH		10	1
16	22003718	AXLE, LATCH		10	1
17	22002119	MOTOR, WAX		10	1
18	22003716	ROTATING GEAR, LATCH		10	1
19	22003717	SPRING, LATCH		10	1
20	22001352	SCREW, CHECK SWITCH		10	1
21	22002165	WASHER, DOOR LOCK SWITCH		10	1
22	22002162	SWITCH, DOOR LOCK SPIN ENABLE		10	1
23	22002158	SPRING, GEAR RETURN		10	1

Illustrated Parts Lookup - MAH20PDAWW, 11 - WIRING INFORMATION



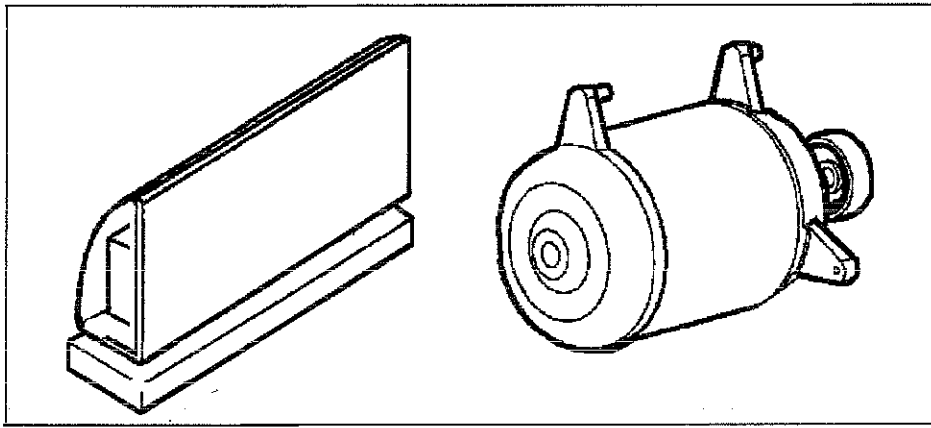
6 2714920-0999

# Illustrated Parts Lookup

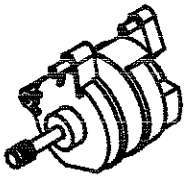
Parts for COMMERCIAL LAUNDRY Model "MAH20PDAWW", Image Section "11 - WIRING INFORMATION"

Item	Part Number	Part Description	Alt Part	Series	Qty
1	NLA	WIRING INFORMATION		10	1

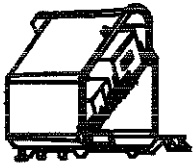
Illustrated Parts Lookup - MAH20PDAWW, 12 - MOTOR MOTOR CONTROL



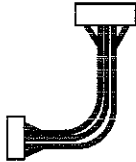
ITEM 1  
KIT CONTAINS:



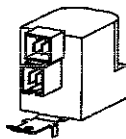
120002040  
MOTOR  
W/ISOLATORS



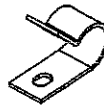
22004046  
MOTOR  
CONTROL BOARD



22004047  
MOTOR  
HARNESS



22003854  
AC LINE  
FILTER



22004102  
"P" CLIPS  
(2)



22002300  
SCREW  
"P" CLIPS  
TO MOTOR

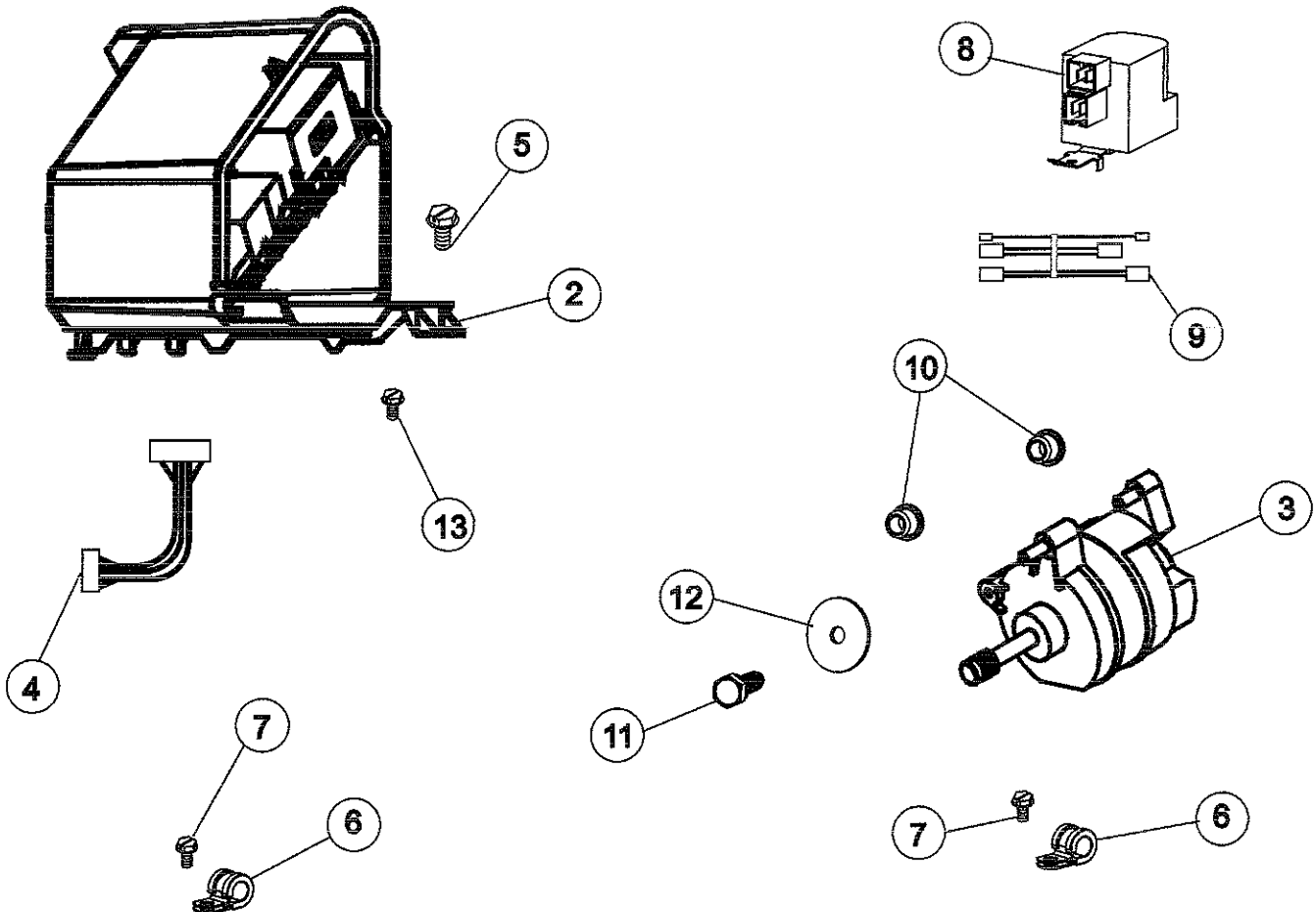


22004101  
LOWER  
JUMPER WIRE  
HARNESS



22004103  
SCREW  
GROUND

(SEE TEXT FOR ITEMS 2, 3, 4 AND 8)





# Illustrated Parts Lookup

## Parts for COMMERCIAL LAUNDRY Model "MAH20PDAWW", Image Section "12 - MOTOR & MOTOR CONTROL"

Item	Part Number	Part Description	Alt Part	Series	Qty
1	12002039	NEPTUNE MOTOR CONVERSION KIT		10	1
2	22004046	CONTROL ASSY., MOTOR		10	1
3	22003856	MOTOR, VARIABLE SPEED		10	1
4	22004047	HARNESS, MOTOR/MOTOR CONTROL	22004212	10	1
5	33002190	SCREW (No.10-3/8")		10	2
6	22004102	P CLIPS		10	2
7	22002300	SCREW	9740848	10	2
8	22003854	EMI SUPPRESSION FILTER, 12A		10	1
9	22004101	REPAIR JUMPER HARNESS		10	1
10	22003329	ISOLATOR, MOTOR		10	2
11	22003686	BOLT, MOTOR		10	1
12	22002320	WASHER, STRUT		10	1
13	22004103	SCREW		10	1