

WASHER

Repair Parts List

MODEL NUMBER
MAH21PDAWQ

When requesting service or ordering parts, always provide the following information:

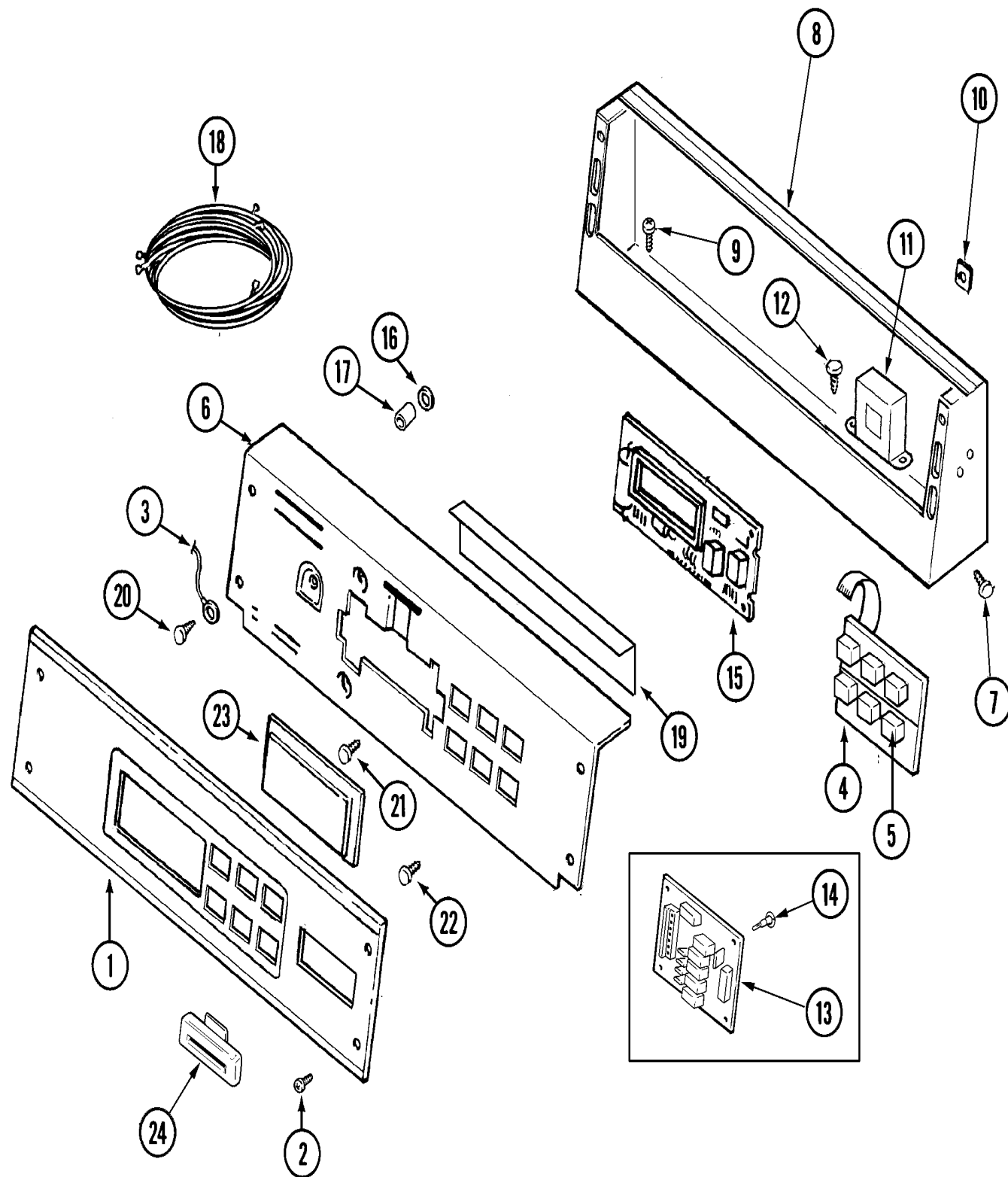
- Product Type
- Part Number
- Model Number
- Part Description

MAYTAG®

©2005 Maytag Services

Section: CONTROL PANEL

Model: MAH21PDAWQ



CD11-84

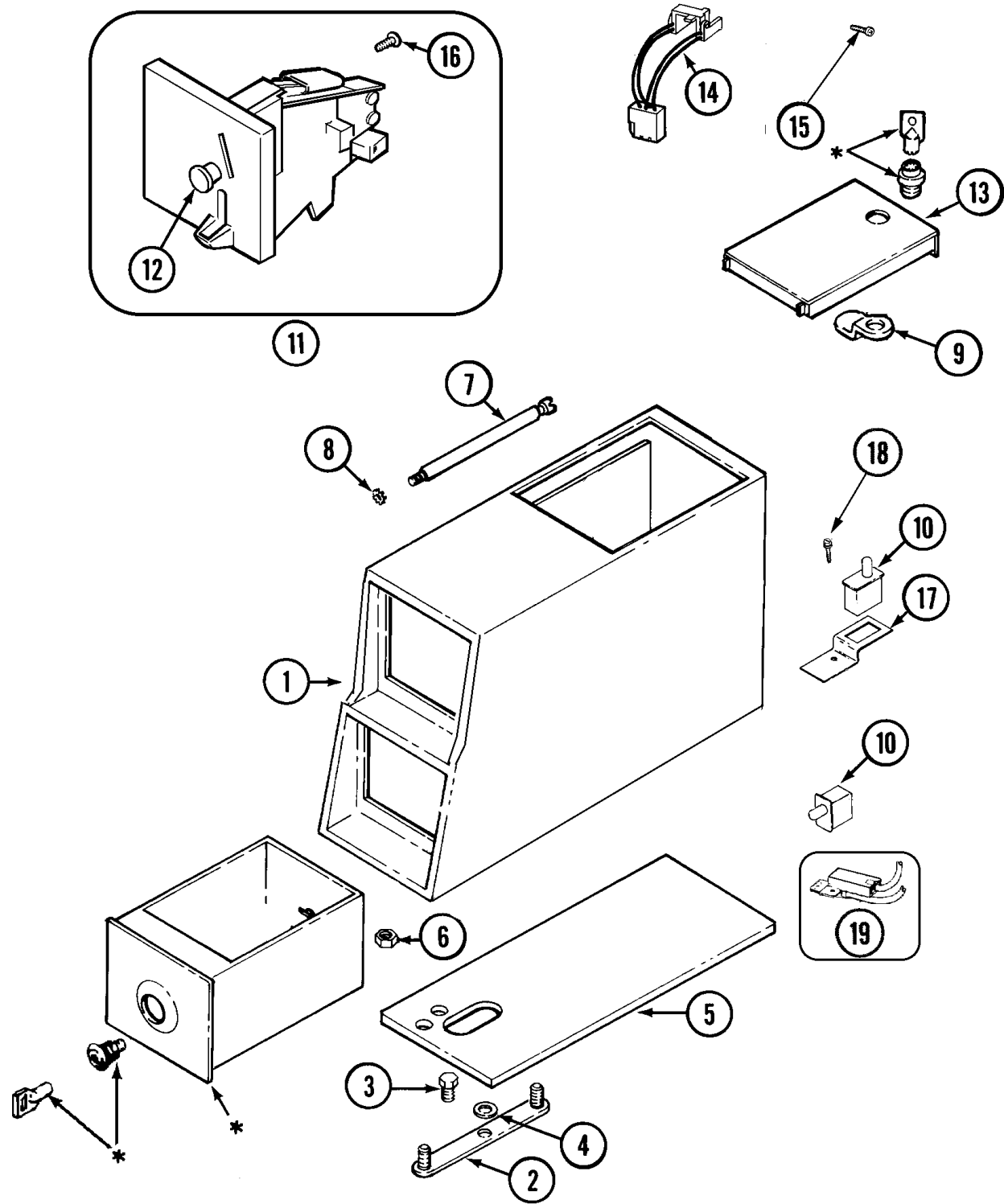
Section: CONTROL PANEL

No.	Part No.	Description	Series	Qty
1	22003688	PANEL, CONTROL	10	1
2	215506	SCREW, TORX Note: SCREW, CONTROL PANEL	10	4
3	205810	WIRE, GROUND	10	1
-	215527	SCREW Note: SCREW, CONTROL SWITCH	10	2
4	206808	CONTROL SWITCH ASSY. Note: CONTROL SWITCH ASSEMBLY	10	1
5	215517	PUSHBUTTON Note: PUSHBUTTON, CONTROL SWITCH	10	2
6	22003724	BRACKET, BACK (BSQ)	10	1
7	212276	SCREW Note: SCREW, CONSOLE TO COIN VAULT	10	2
8	22003088	CONSOLE (BSQ)	10	1
9	22002925	SCREW Note: SCREW, CONSOLE	10	5
10	215003	FASTENER Note: FASTENER	10	2
11	22001960	TRANSFORMER	10	1
12	22002925	SCREW Note: SCREW, TRANSFORMER	10	2
13	22004172	RELAY BOARD DRS	10	1
14	33001204	STANDOFF, CIRCUIT BOARD	10	4
15	22004255	CONTROL BOARD	31	1
15	22003689	CONTROL BOARD	10	1
16	912077	LOCKNUT Note: LOCKNUT, CONTROL BOARD	10	6
17	22002943	STAND-OFF	10	4
-	22003858	EMI SUPPRESSION FILTER, 16A	14	1
-	22002782	PAD, FOAM (SOUND DAMPENER)	14	1
-	22003830	#8-32X3/8 HEX/WASH HEAD SCREW	14	1
-	22003934	WIRE HARNESS (MAIN)	14	1
18	22003675	HARNESS, WIRE	10	1
19	22002954	DEFLECTOR, WATER (W/ADHESIVE)	10	2
20	210186	SCREW, GROUND WIRE TO BASE--NA Note: SCREW, GROUND WIRE TO BK BRKT	10	1
21	215526	SCREW Note: SCREW, CIRCUIT BOARD	10	2
22	215527	SCREW Note: SCREW, BACK BRACKET	10	2
23	22001962	COVER, DISPLAY	10	1
- N	22003732	MANUAL, USE & CARE FRENCH	10	1
- N	22003731	MANUAL, USE & CARE	10	1

*Color Code (-)=Not Shown #=Series, Serial Prefix or Run No., N=Not Available

Section: CONTROL CENTER

Model: MAH21PDAWQ



* CONTACT YOUR COMMERCIAL LAUNDRY DISTRIBUTOR

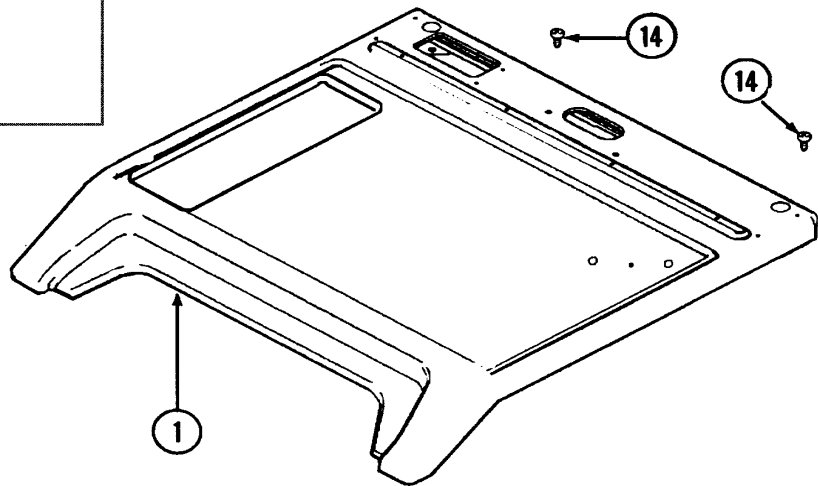
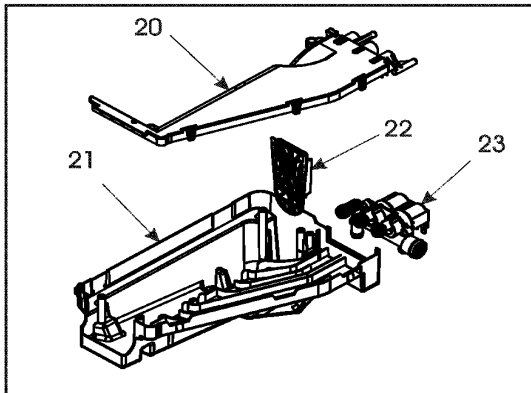
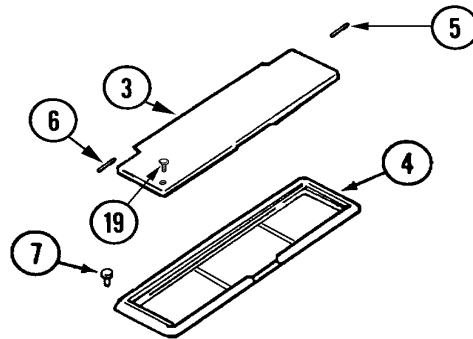
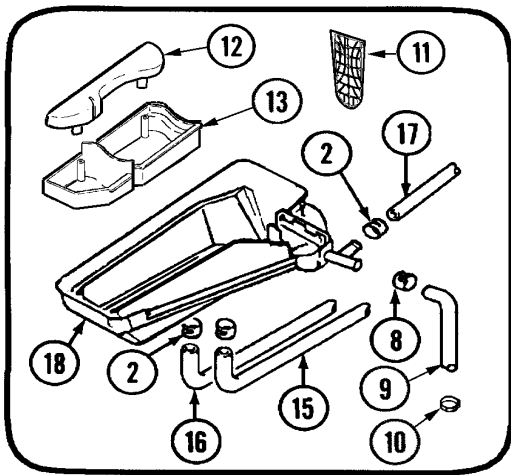
Section: CONTROL CENTER

No.	Part No.	Description	Series	Qty
1	33002428	VAULT, COIN (BSQ)	10	1
2	22001810	STRAP, MOUNTING	10	1
3	22002925	SCREW Note: SCREW, MOUNTING STRAP	10	1
4	910309	WASHER Note: WASHER, STRAP SCREW	10	1
5	22002618	GASKET (BSQ) Note: GASKET, CONTROL CENTER(BISQUE)	10	1
6	Y052740	NUT Note: NUT, CASE MOUNTING	10	2
7	22001903	LOCKING BOLT, COIN SLIDE Note: BOLT, LOCKING	10	2
8	910181	LOCK WASHER	10	1
9	22003677	LOCKING CAM Note: NUT, LOCKING CAM	10	1
10	33001250	SWITCH, SENSOR	10	2
-	22002144	SINGLE FACEPLATE	10	1
-	33002647	SINGLE FACEPLATE ASSEMBLY	10	1
11	22004112	COIN DROP GREENWALD US.25	27	1
-	22003815	DUAL FACEPLATE	10	1
-	22001875	COIN DROP ASY (CAN)	10	1
11	22003678	ASSY, COIN DROP U.S. \$0.25	10	1
12	216200	BUTTON, RETURN Note: FACE PLATE RETURN BUTTON	10	1
13	22003692	TIMER ACCESS DOOR ASSY(BISQUE)	10	1
14	22001965	SWITCH ASSY., OPTIC	10	1
15	314665	SCREW Note: SCREW, OPTIC SWITCH		1
16	22001069	SCREW----NA Note: SCREW, VAULT TO CONTROL COVER	10	1
17	22001404	BRACKET, SWITCH	10	1
18	22001069	SCREW----NA	10	1

*Color Code (-)=Not Shown #=Series, Serial Prefix or Run No., N=Not Available

Section: TOP

Model: MAH21PDAWQ



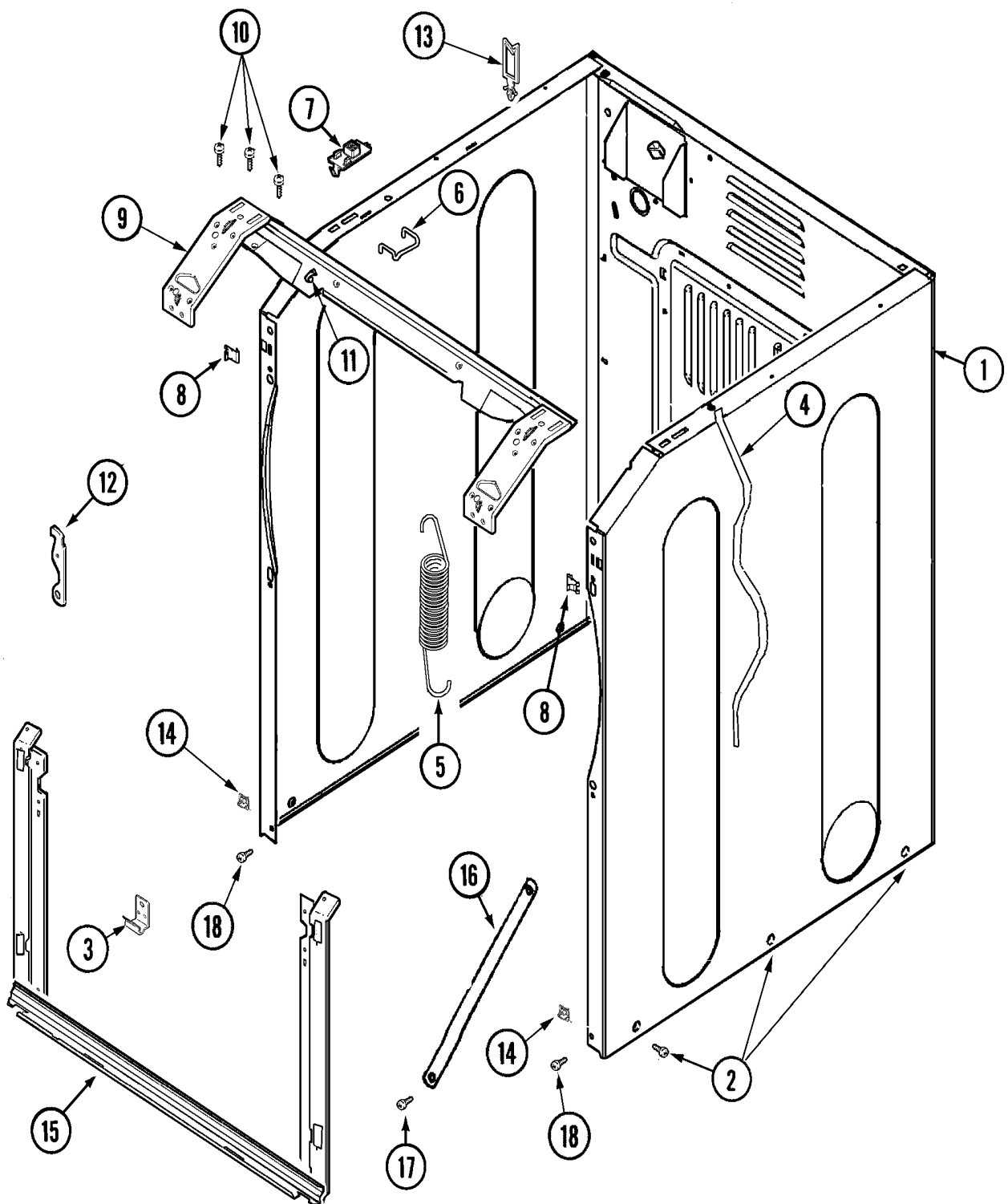
Section: TOP

No.	Part No.	Description	Series	Qty
1	22004179	COVER, TOP (BSQ-AS PK)	25	1
1	22003587	COVER, TOP (BSQ-AS PK)	10	1
2	205161	CLAMP - 15/16" Note: CLAMP, HOSE	10	7
3	22002941	LID, DISPENSER	10	1
4	22003665	BEZEL, DISPENSER	10	1
5	Y912678	PIN, HINGE (LONG) Note: PIN, HINGE (LONG)	10	1
6	Y912679	PIN, HINGE (SHORT) Note: PIN, HINGE (SHORT)	10	1
7	22002060	SCREW, BEZEL Note: SCREW, DISPENSER BEZEL	10	4
8	22001984	CLAMP, DRAIN HOSE	10	1
9	22003259	HOSE, SHOWER (9 1/2")	10	1
10	201011	CLAMP,HOSE (TUB OUTLET)	10	1
11	22003321	GRID, DISPENSER	10	1
12	22003849	SIPHON CAP	13	1
12	22002266	CAP, SIPHON	10	1
13	22003848	SIPHON CUP	13	1
13	22002265	CUP, SIPHON	10	1
14	912365	SCREW Note: SCREW, POWER CORD & GROUND	10	1
15	22002551	HOSE, BLEACH	10	1
16	22003634	HOSE, FABRIC SOFTENER	10	1
17	22003457	HOSE, DETERGENT	10	1
-	22003322	TOP, DISPENSER (FLUME)	10	1
18	22003320	BOTTOM, DISPENSER ASSY.	10	1
-	22003723	BOTTOM, DISPENSER	10	1
19	22003681	SCREW, DISPENSER LID	10	1
20	22003845	DISPENSER COVER (FLUME)	13	1
21	22003844	DISPENSER BOTTOM	13	1
22	22003321	GRID, DISPENSER	13	1
23	22003846	DISPENSER VALVE Note: NEED 12001929 WHEN REPLACING	13	1
-	22001640	CLAMP, HOSE	13	1
-	22003833	HOSE, TUB SHOWER	13	1
-	12001929	VALVE SEAL KIT	13	1
-	22003832	FILL HOSE, DISPENSER	13	1

*Color Code (-)=Not Shown #=Series, Serial Prefix or Run No., N=Not Available

Section: CABINET-FRONT

Model: MAH21PDAWQ



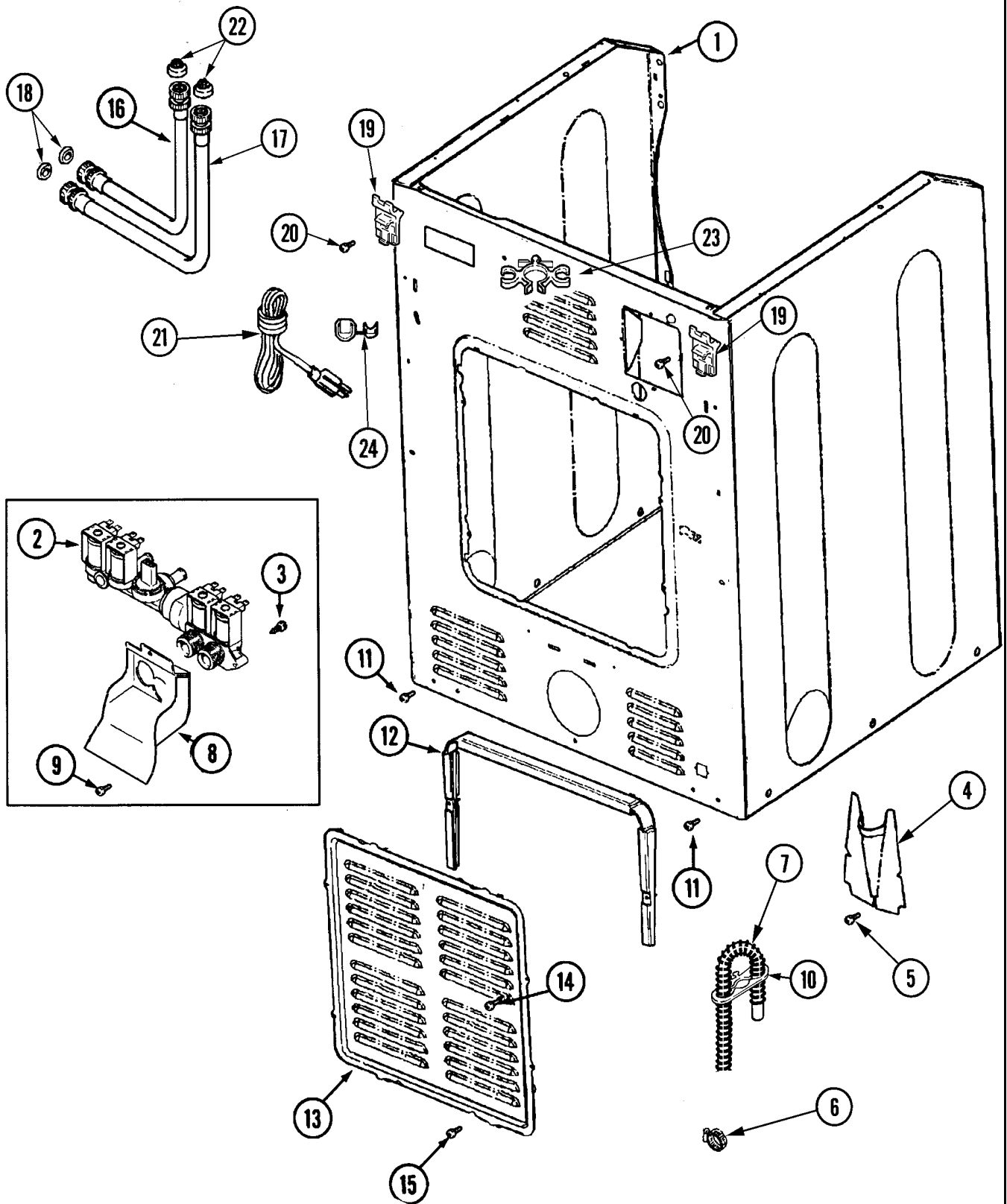
Section: CABINET-FRONT

No.	Part No.	Description	Series	Qty
1	N 22003640	CABINET ASSY. (BISQUE AS PK)	10	1
2	22003409	SCREW----NA Note: SCREW, CABINET (TRUSS)	67	6
3	22002239	CLIP, LOWER FRONT PANEL	10	2
4	33001836	STRAP, TOP COVER SUPPORT	10	1
5	22003254	SPRING, CABINET Note: SPRING, CABINET TO TUB	10	2
6	22002297	SUPPORT, SPRING	10	2
7	22001997	SPACER, TOP COVER	10	2
8	22002049	CLIP Note: CLIP, FRONT PANEL	10	2
9	22003637	BRACE ASSEMBLY, TOP CROSS	10	1
10	22001995	SCREW Note: SCREW, SHROUD SUPPORT-CABINET	10	6
11	22002014	CLIP Note: CLIP, WIRE HARNESS	10	1
12	22002247	HOOK, SECURITY	10	2
13	22003298	RETAINER, WIRE	10	2
14	22002013	STOP, SHIPPING	10	4
-	22001995	SCREW Note: SCREW, SHROUD TO CORNER BRACE	10	4
15	22003638	SHROUD SUPPORT ASSEMBLY	10	1
16	22002259	BRACE, CROSS	10	2
17	22001995	SCREW Note: SCREW, CROSS BRACE	10	4
18	22001995	SCREW Note: SCREW, FRONT CABINET	10	2

*Color Code (-)=Not Shown #=Series, Serial Prefix or Run No., N=Not Available

Section: CABINET-REAR

Model: MAH21PDAWQ



CW12-33

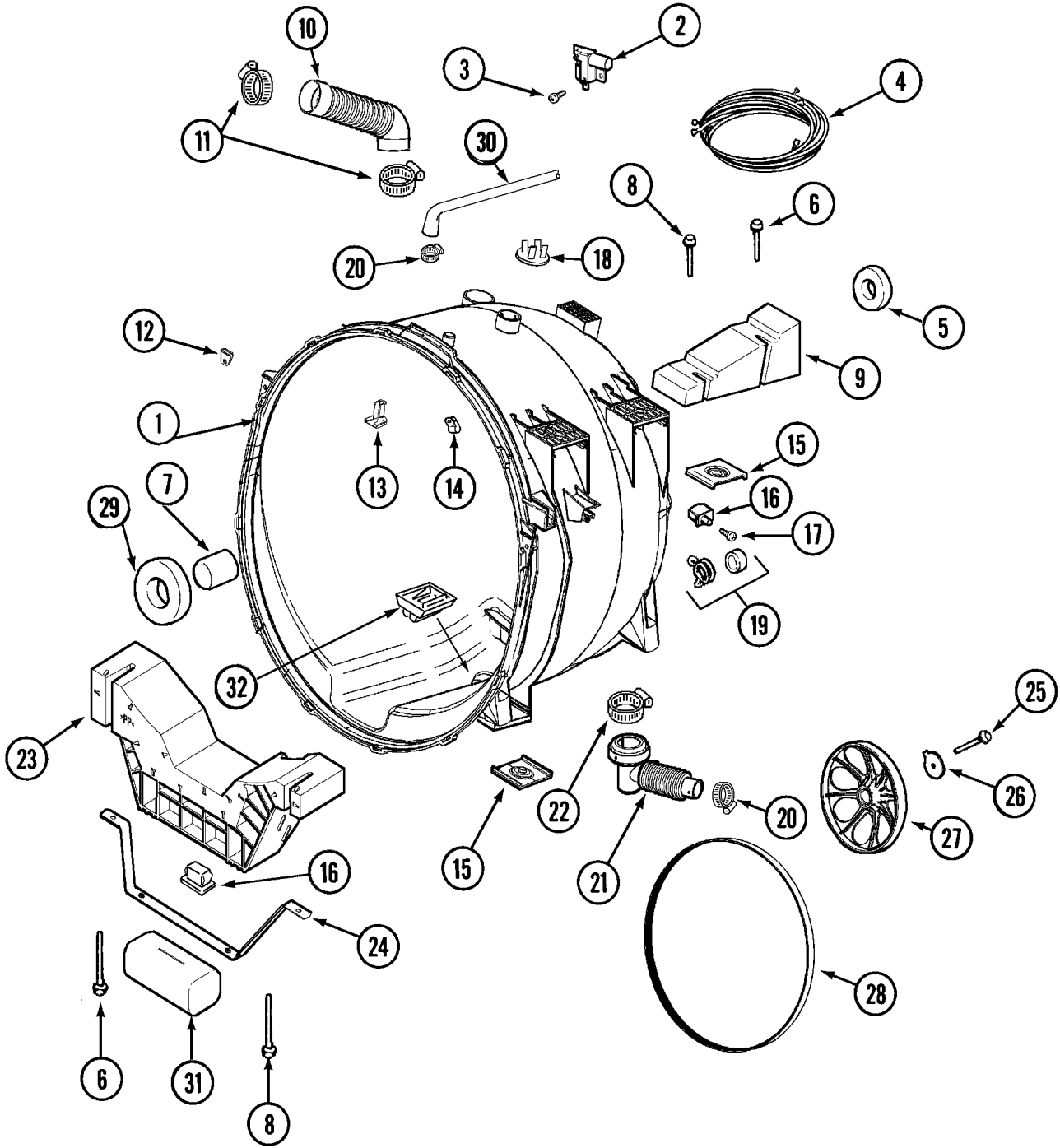
Section: CABINET-REAR

No.	Part No.	Description	Series	Qty
1	N 22003640	CABINET ASSY. (BISQUE AS PK)	10	1
2	22003940	WATER VALVE	13	1
2	22002944	VALVE, WATER	10	1
3	22002436	SCREW Note: SCREW, WATER VALVE	10	2
4	22002704	COVER, DRAIN HOSE	10	1
5	22001995	SCREW Note: SCREW, DRAIN HOSE COVER	10	1
6	22001984	CLAMP, DRAIN HOSE	10	1
7	22003319	HOSE, DRAIN (CORR)(80 1/2") Note: HOSE, DRAIN (CORRUGATED)	10	1
8	33002212	BRACKET, WATER VALVE	10	1
9	22002925	SCREW Note: SCREW, WATER VALVE BRACKET	10	2
10	22002892	RETAINER, DRAIN HOSE	10	1
11	22001995	SCREW Note: SCREW, CABINET	10	2
12	22002022	SPACER, ACCESS PANEL	10	1
13	22002092	PANEL, ACCESS	10	1
14	22002295	SCREW Note: SCREW, ACCESS PANEL SPACER	10	2
15	22002925	SCREW Note: SCREW, ACCESS PANEL	10	2
16	22003682	INLET HOSE ASSY (COLD)	10	1
17	22003683	INLET HOSE ASSY (HOT)	10	1
18	Y013783	GASKET, INLET HOSE Note: WASHER, INLET HOSE	10	4
19	22003367	HINGE, PLASTIC	10	2
20	22001995	SCREW Note: SCREW, HINGE	10	2
21	22003062	CORD, POWER (AS WRAPPED)	10	1
22	22002229	STRAINER	10	2
23	22002932	CLIP, DRAIN HOSE	10	1
24	211881	GROMMET, CORD	10	1

*Color Code (-)=Not Shown #=Series, Serial Prefix or Run No., N=Not Available

Section: OUTER TUB

Model: MAH21PDAWQ



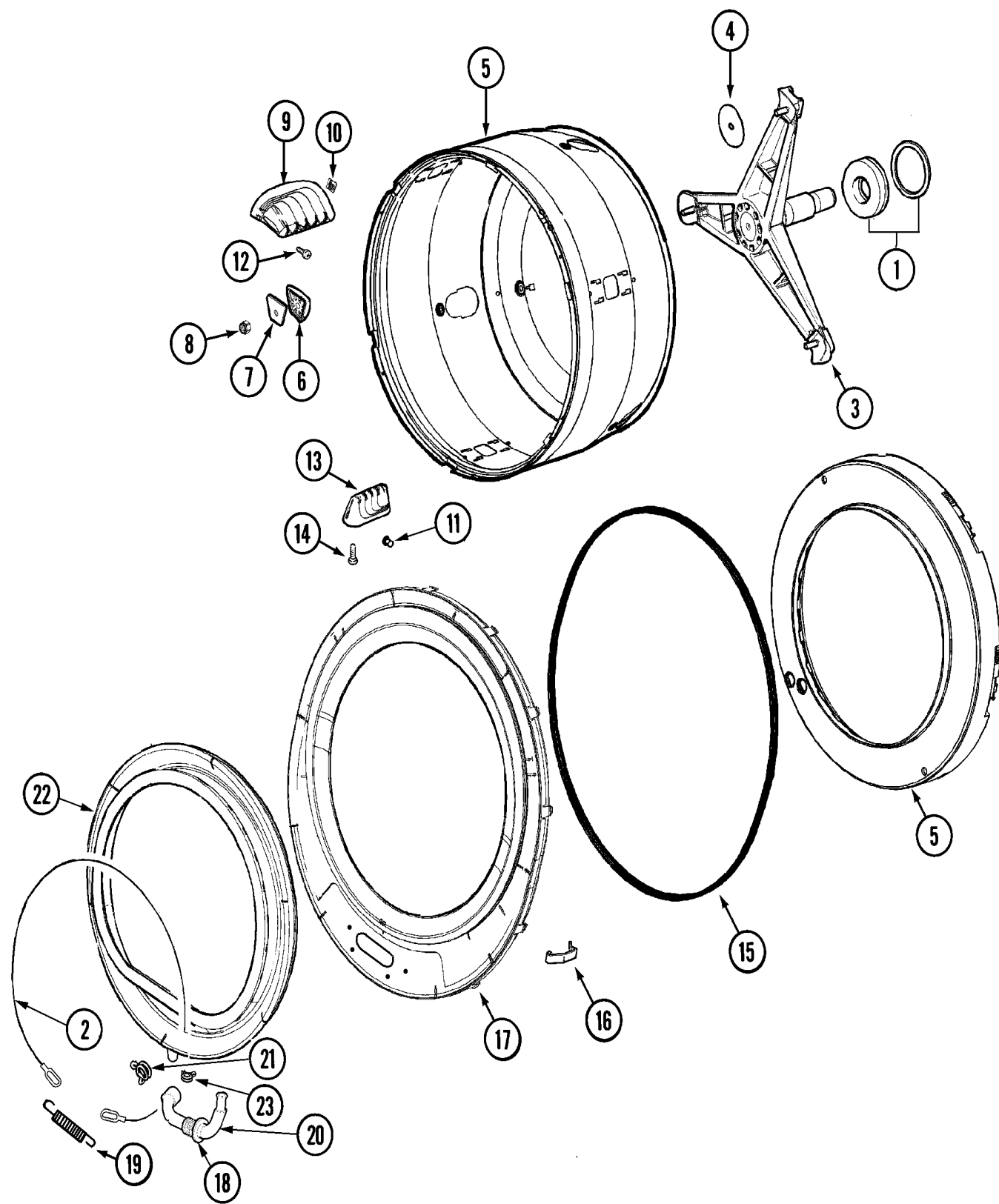
Section: OUTER TUB

No.	Part No.	Description	Series	Qty
1	22003413	OUTER TUB ASSY.(NC AS PACKED)	10	1
-	22004080	OUTER TUB ASSEMBLY AS-PK KIT	22	1
2	22002045	SWITCH, INERTIAL - UNBALANCE Note: SWITCH, INERTIAL UNBALANCE	10	1
-	22002006	CLIP	18	1
3	22002061	SCREW	18	1
3	22002300	SCREW	10	2
4	22003684	WIRE HARNESS, UPPER SUB ASSY	10	1
-	22004052	HARNESS UPPER SUB ASSY	18	1
-	22003065	COVER, UNBALANCE SWITCH	10	1
-	22003684	WIRE HARNESS, UPPER SUB ASSY	11	1
5	22003441	BEARING, REAR	10	1
6	22003615	BOLT, DOUBLE SEMS 5-3/8 Note: BOLT (LONG)	10	1
-	22003828	PLATED BOLT, DOUBLE SEMS SU	11	2
7	22002935	SPACER, BEARING	10	1
8	22003616	BOLT, DOUBLE SEMS 3-3/8 Note: BOLT, SHORT	10	1
-	22003828	PLATED BOLT, DOUBLE SEMS SU	11	2
9	22002102	WEIGHT, COUNTER BALANCE Note: WEIGHT, COUNTER BALANCE	10	1
10	22002083	HOSE, INJECTOR	10	1
11	22002052	CLAMP, INJECTOR HOSE	10	2
12	22002103	CLIP, U	10	2
13	22002959	DEFLECTOR, WATER	10	1
14	22002006	CLIP Note: CLIP, WIRE HARNESS & OUTER TUB	10	6
15	22002065	NUT, COUNTER BALANCE	10	4
16	22002044	SWITCH, TUB DISPLACEMENT	10	2
17	22002061	SCREW Note: SCREW, DISPLACEMENT SWITCH	10	1
18	22002797	CLIP, HOSE (SADDLE HORN)	10	1
19	22003295	CLAMP, HOSE DOUBLE WIRE	10	1
19	22003261	PLUG, OUTER TUB	10	1
20	202515	HOSE CLAMP - 1-1/16 INCH Note: CLAMP, DRAIN HOSE	10	1
21	22003262	HOSE, TUB TO PUMP Note: HOSE, TUB TO PUMP OUTLET	10	1
22	22002053	CLAMP, SUMP HOSE	10	1
-	22003826	LOWER BRACKET	11	1
23	22003253	BRACKET, FRONT WEIGHT Note: WEIGHT ASSEMBLY (FRT)	10	1
24	22002008	STRAP	10	1
25	22002057	SCREW, SPINNER	10	1
26	22002055	WASHER, SPINNER SHAFT	10	1
-	22003936	WASHER (1 1/4")	17	1
27	22002315	PULLEY, SPINNER	10	1
28	22002313	BELT, DRIVE	10	1
-	12001788	KIT, BELT & ISOLATOR	10	1
29	22002934	BEARING, FRONT	10	1
-	22002027	WIRE TIE, TWIST LOCK	10	3
30	22003259	HOSE, SHOWER (9 1/2")	10	1
31	22003225	CUSHION	10	1
-	22003827	CUSHION	11	1
32	22003257	CAP, SUMP	10	1
-	22003263	SCREW	10	2

*Color Code (-)=Not Shown #=Series, Serial Prefix or Run No., N=Not Available

Section: SPINNER ASSEMBLY & OUTER TUB COVER

Model: MAH21PDAWQ



LW13-42

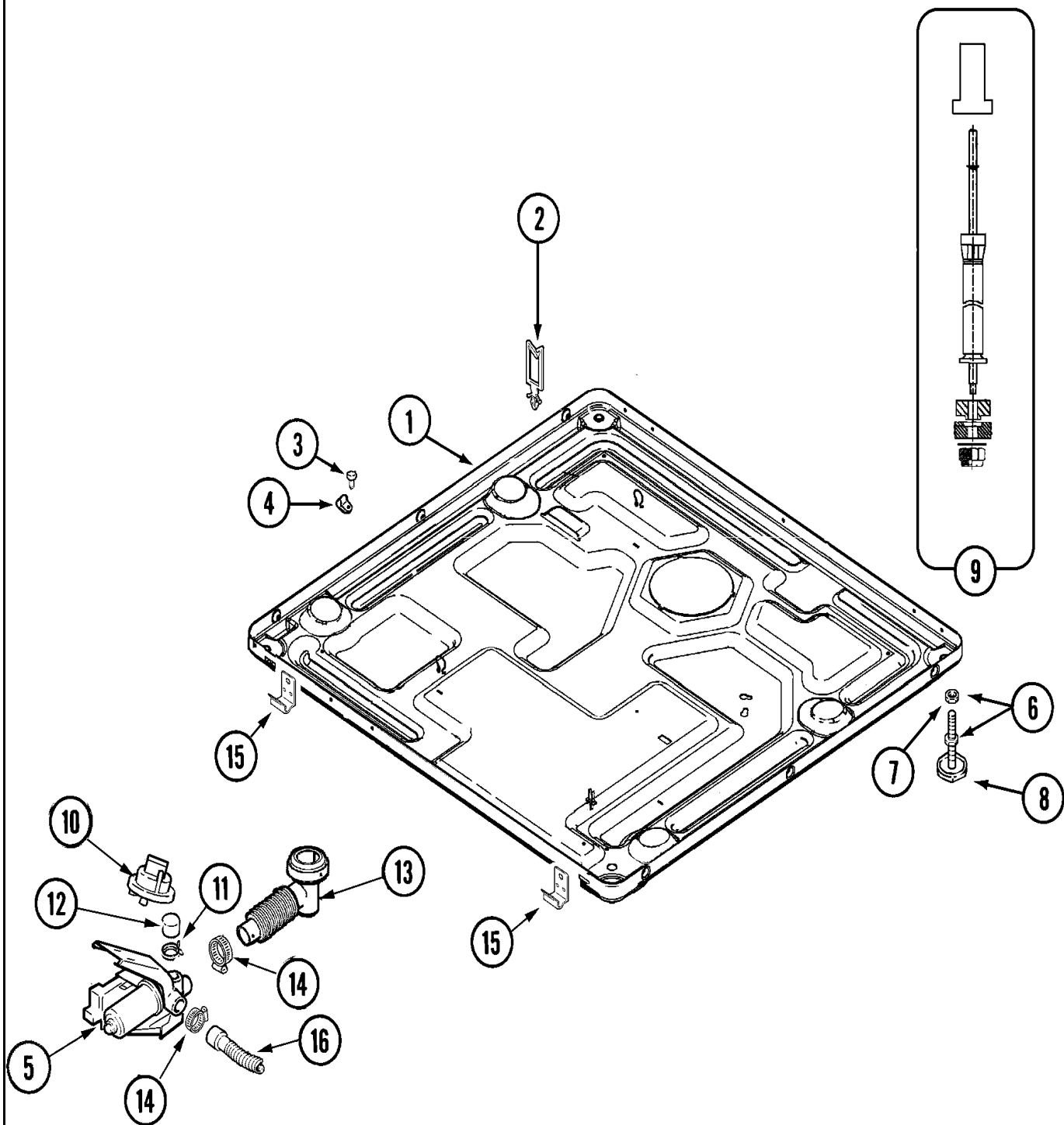
Section: SPINNER ASSEMBLY & OUTER TUB COVER

No.	Part No.	Description	Series	Qty
-	12002022	LIP SEAL KIT	22	1
1	12001478	LIP SEAL SVC ASSY.	10	1
2	22002327	BOOT CABLE CLAMP	10	1
-	22003925	SPINNER SUPPORT ASSY AS PACK	17	1
-	22002123	TUBE, MOLYKOTE	10	1
3	22002897	SUPPORT ASSY., SPINNER	10	1
4	22002023	WASHER, PLASTIC	10	3
5	22003670	SPINNER ASSY W' BALANCE RING	10	1
6	22002482	WASHER, PROFILE	10	3
7	22002020	WASHER, SPINNER SUPPORT	10	3
8	22002122	NUT, SPINNER ATTACHMENT	10	3
9	22001985	BAFFLE, DRIP (REAR)	10	3
10	22002009	GROMMET, BAFFLE (REAR)	10	3
11	22001999	GROMMET, BAFFLE (FRT)	10	3
12	22003556	SCREW Note: SCREW, BAFFLE (REAR)	10	6
13	22001986	BAFFLE, DRIP (FRONT)	10	3
14	22002059	SCREW Note: SCREW, BAFFLE (FRONT)	10	7
15	22002077	SEAL, TUB COVER	10	1
16	22002050	CLIP, TUB TO COVER	10	12
-	22004079	OUTER TUB/TUB COVER KIT	22	1
17	22003212	COVER, TUB (W/SEAL) (ASP)	10	1
-	22004254	COVER, TUB W/SEAL&CAPS ASPK	30	1
18	22003074	GUARD, HOSE	10	1
19	22002099	SPRING, TUB	10	1
20	22003071	DOOR BOOT DRAIN HOSE Note: HOSE, DOOR BOOT DRAIN	10	1
21	22003072	CLAMP, HOSE DOUBLE WIRE	10	1
22	22003070	DOOR BOOT W/DRAIN (GRAY)	10	1
23	22003073	CLAMP, HOSE DOUBLE WIRE	10	1

*Color Code (-)=Not Shown #=Series, Serial Prefix or Run No., N=Not Available

Section: BASE

Model: MAH21PDAWQ



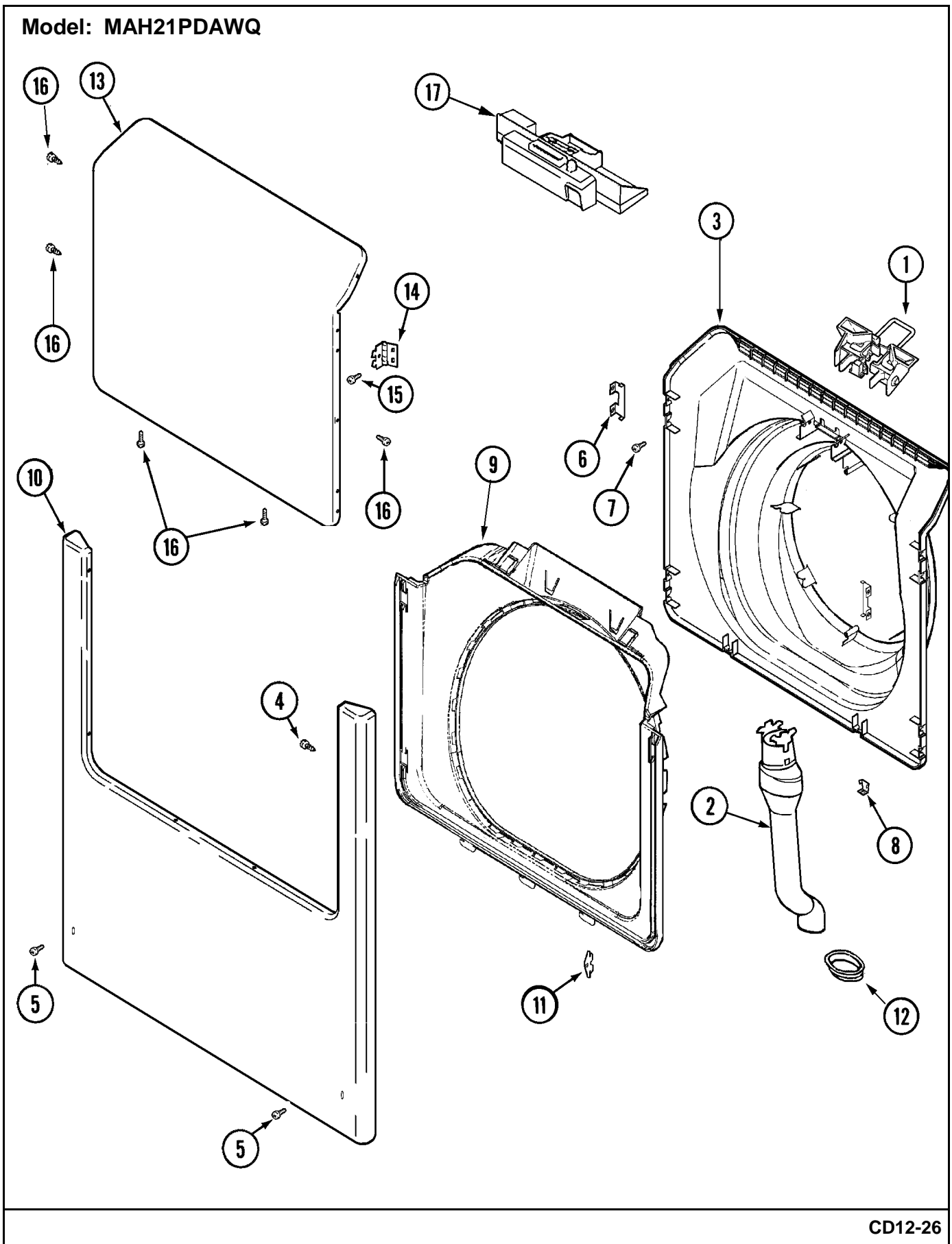
Section: BASE

No.	Part No.	Description	Series	Qty
1	22003605	BASE WELD ASSEMBLY	10	1
2	22003298	RETAINER, WIRE	10	5
3	N 313561	SCREW----NA Note: SCREW, WIRE HARNESS CLIP	10	1
4	22003327	CLAMP, LCD HARNESS TO COVER Note: CLIP, WIRE HARNESS	10	1
5	22003244	PUMP Note: DRAIN PUMP ASSEMBLY	10	1
6	22003544	ADJUSTABLE LEG W/FOOT & NUT	10	4
7	Y052740	NUT	10	4
8	210684	FOOT, RUBBER	10	4
9	22001988	STRUT ASSY-REAR	10	1
-	N 22003265	BAG, PLASTIC W/DRAWSTRING	10	1
10	22003728	SWITCH, PRESSURE	10	1
11	22002853	CLAMP, HOSE	10	1
12	22003268	CAP, RUBBER	10	1
13	22003262	HOSE, TUB TO PUMP	10	1
14	202515	HOSE CLAMP - 1-1/16 INCH	10	2
15	22002239	CLIP, LOWER FRONT PANEL	10	2
-	22001995	SCREW Note: SCREW, LOWER FRT PANEL TO BASE	10	2
16	22003319	HOSE, DRAIN (CORR)(80 1/2")	10	1
-	22002892	RETAINER, DRAIN HOSE	10	1

*Color Code (-)=Not Shown #=Series, Serial Prefix or Run No., N=Not Available

Section: DOOR, SHROUD, FRONT PANEL & LATCH ASSY

Model: MAH21PDAWQ



CD12-26

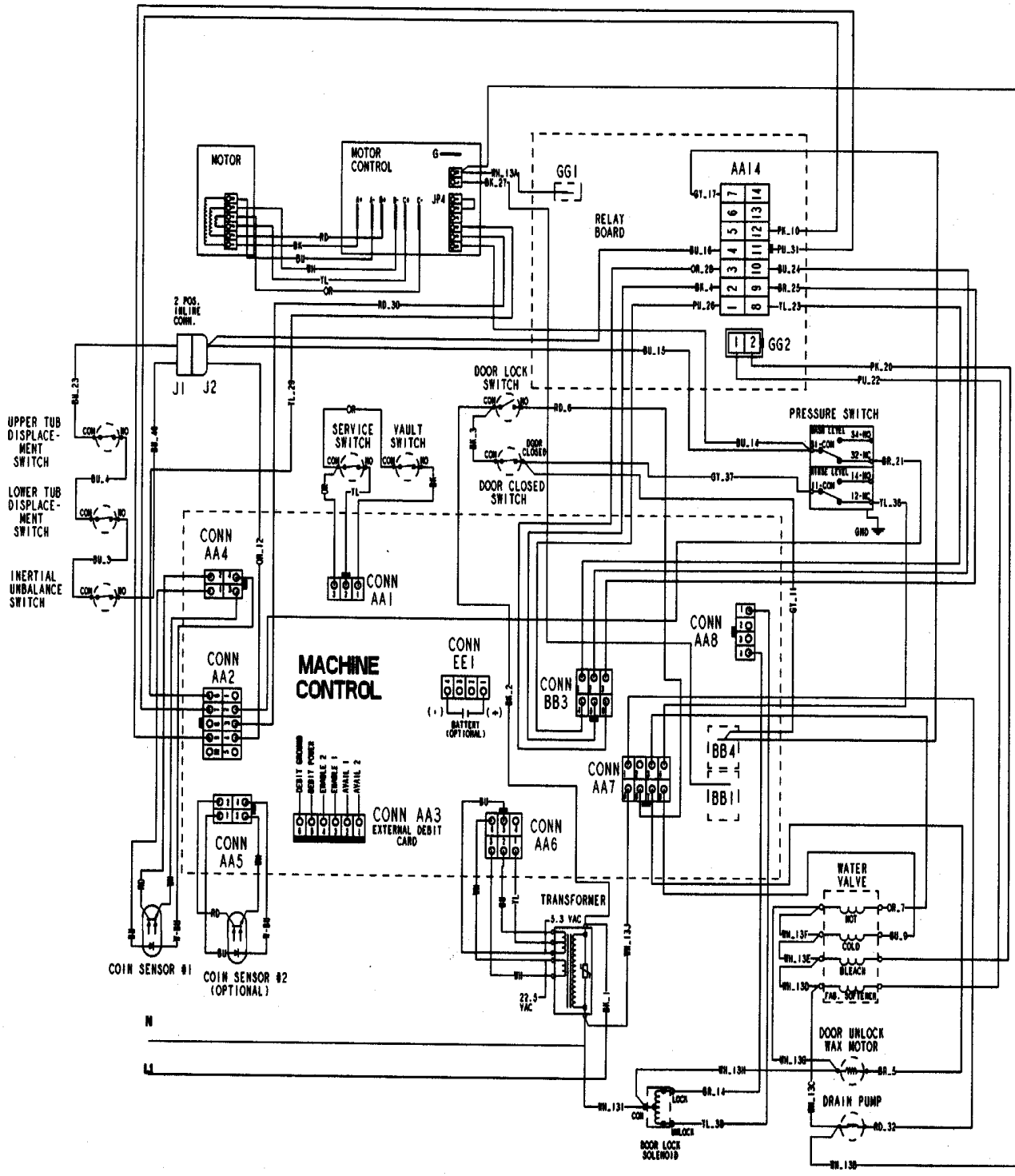
Section: DOOR, SHROUD, FRONT PANEL & LATCH A

No.	Part No.	Description	Series	Qty
1	22003269	DOOR, LOCK HOOP ASSEMBLY	10	1
2	22003576	VENT TUBE ASSY.	10	1
3	22003279	DOOR, INNER (BSQ)	10	1
4	22002244	CLIP, GROUNDING	10	4
5	33002190	SCREW (#10-3/8")	10	2
6	22002038	CLIP, DOOR (DOUBLE)	10	4
7	22002007	SCREW	10	1
8	22002039	CLIP, DOOR (SINGLE)	10	4
9	N 22003516	SHROUD (WHT)----NA	10	1
10	33002396	PANEL, FRONT (BSQ)	10	1
-	33002349	COVER, HINGE HOLE (BSQ)	75	1
11	22002612	COVER, HINGE (BSQ)	10	2
-	33001846	SCREW	75	2
12	22003075	GROMMET, VENT TUBE	10	1
13	22003786	DOOR, OUTER (BSQ)	10	1
14	22002798	HINGE, DOOR	10	2
15	22002062	SCREW Note: SCREW, HINGE	10	4
16	33002351	SCREW (#8-18 OUTER DOOR (BSQ) Note: SCREW, OUTER DOOR (BSQ)	10	6
17	22003706	DOOR LOCK ASSEMBLY, COMMERCIAL	10	1

*Color Code (-)=Not Shown #=Series, Serial Prefix or Run No., N=Not Available

Section: WIRING INFORMATION

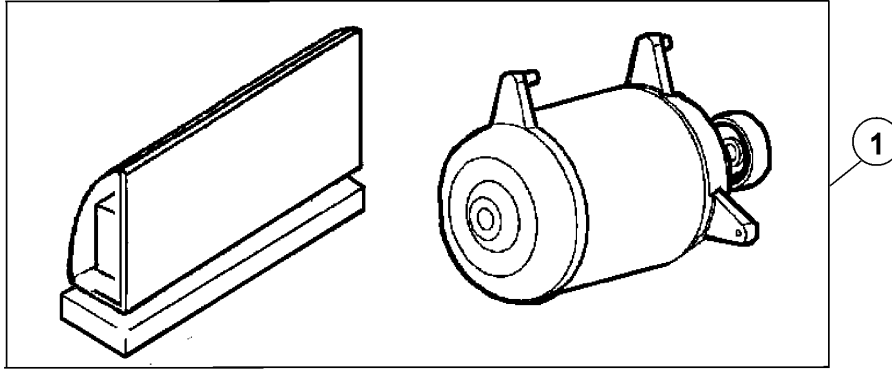
Model: MAH21PDAWQ



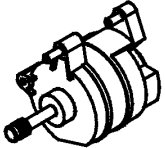

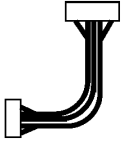
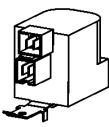




15002889

Section: MOTOR & MOTOR CONTROL

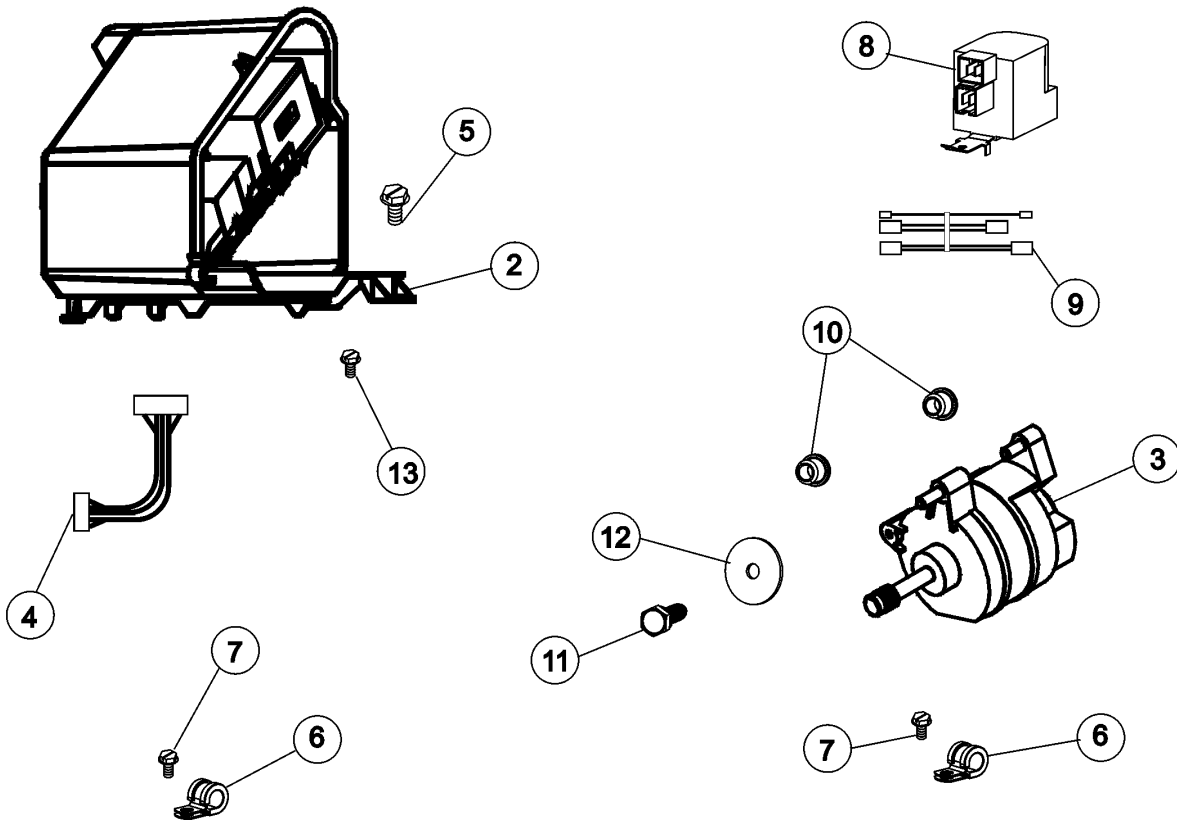
Model: MAH21PDAWQ



**ITEM 1
KIT CONTAINS:**

 <p>120002040 MOTOR W/ISOLATORS</p>	 <p>22004046 MOTOR CONTROL BOARD</p>	 <p>22004047 MOTOR HARNESS</p>	 <p>22003854 AC LINE FILTER</p>	 <p>22004102 "P" CLIPS (2)</p>	 <p>22002300 SCREW "P" CLIPS TO MOTOR</p>	 <p>22004101 LOWER JUMPER WIRE HARNESS</p>	 <p>22004103 SCREW GROUND</p>
---	--	--	---	--	---	--	---

(SEE TEXT FOR ITEMS 2, 3, 4 AND 8)



CW23-04

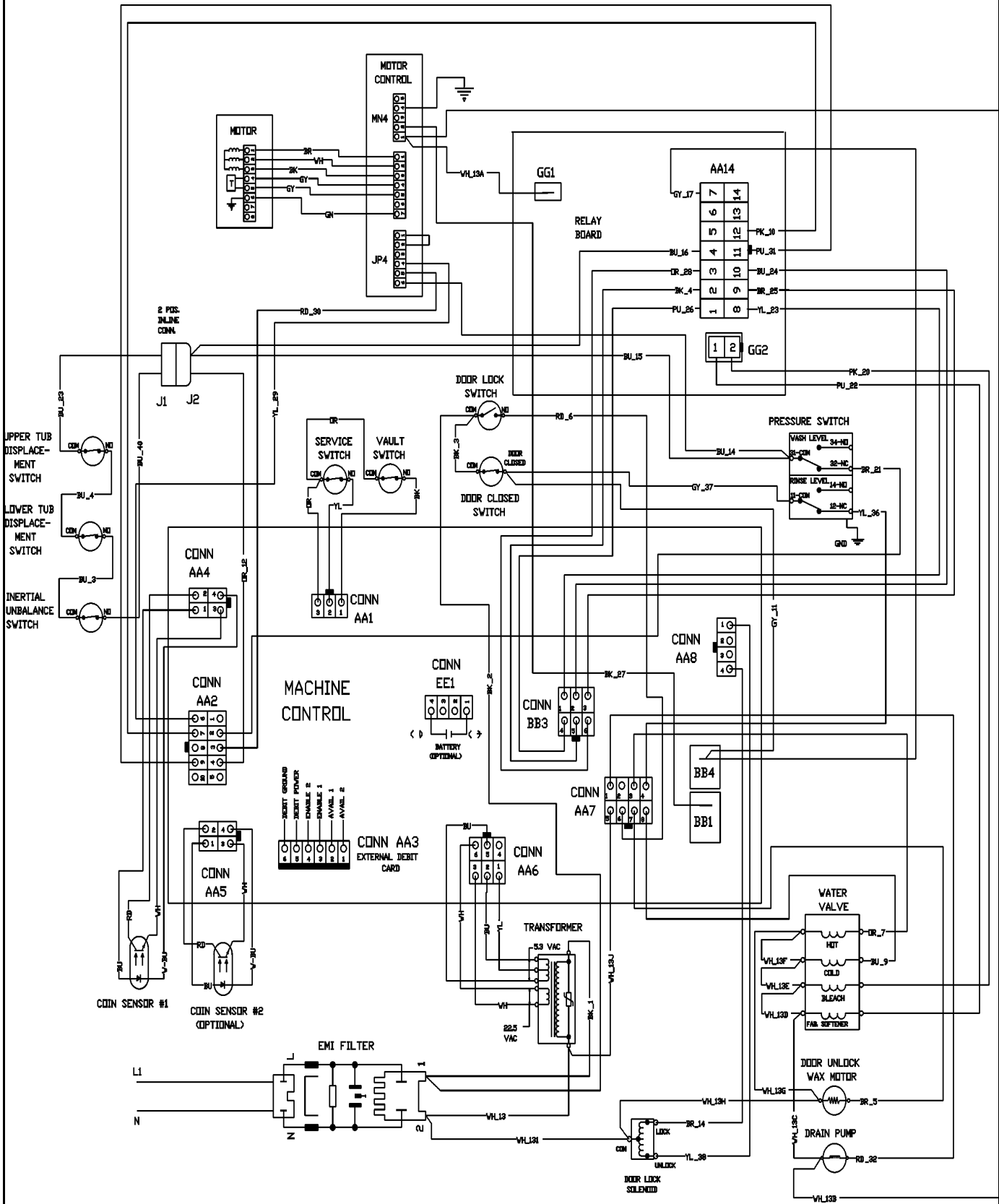
Section: MOTOR & MOTOR CONTROL

No.	Part No.	Description	Series	Qty
1	12002039	NEPTUNE MOTOR CONVERSION KIT	10	1
2	22004046	CONTROL ASSY., MOTOR	14	1
2	22004046	CONTROL ASSY., MOTOR	10	1
3	22003856	MOTOR, VARIABLE SPEED	14	1
3	22003856	MOTOR, VARIABLE SPEED	10	1
4	22004047	HARNESS, MOTOR/MOTOR CONTROL	14	1
4	22004047	HARNESS, MOTOR/MOTOR CONTROL	10	1
5	33002190	SCREW (#10-3/8")	10	2
6	22004102	P CLIPS	10	2
7	22002300	SCREW	10	2
8	22003854	EMI SUPPRESSION FILTER, 12A	10	1
8	22003854	EMI SUPPRESSION FILTER, 12A	14	1
9	22004101	REPAIR JUMPER HARNESS	10	1
9	22004101	REPAIR JUMPER HARNESS	14	1
10	22003329	ISOLATOR, MOTOR	10	2
11	22003686	BOLT, MOTOR	10	1
12	22002320	WASHER, STRUT	10	1
13	22004103	SCREW	10	1

*Color Code (-)=Not Shown #=Series, Serial Prefix or Run No., N=Not Available

Section: WIRING INFORMATION(SER 31)

Model: MAH21PDAWQ



15003486

Section: WIRING INFORMATION(SER 31)

No.	Part No.	Description	Series Qty
1	N 15003486	WIRING INFORMATION	31 1

*Color Code (-)=Not Shown #=Series, Serial Prefix or Run No., N=Not Available

