

WASHER

Repair Parts List

MODEL NUMBER
MAH21PDD3W

When requesting service or ordering parts, always provide the following information:

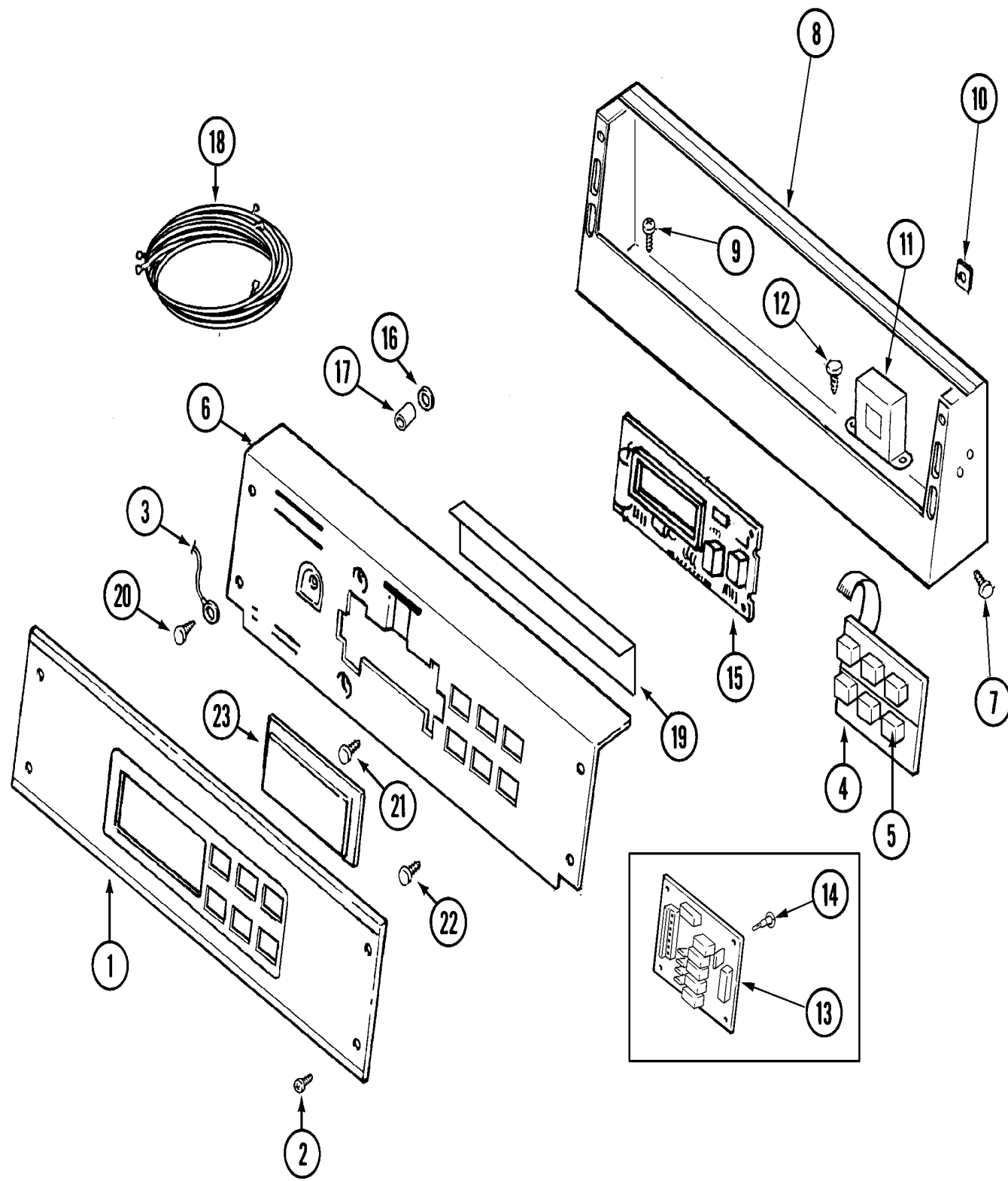
- Product Type
- Part Number
- Model Number
- Part Description

MAYTAG®

©2005 Maytag Services

Section: CONTROL PANEL

Model: MAH21PDD3W



CW11-92

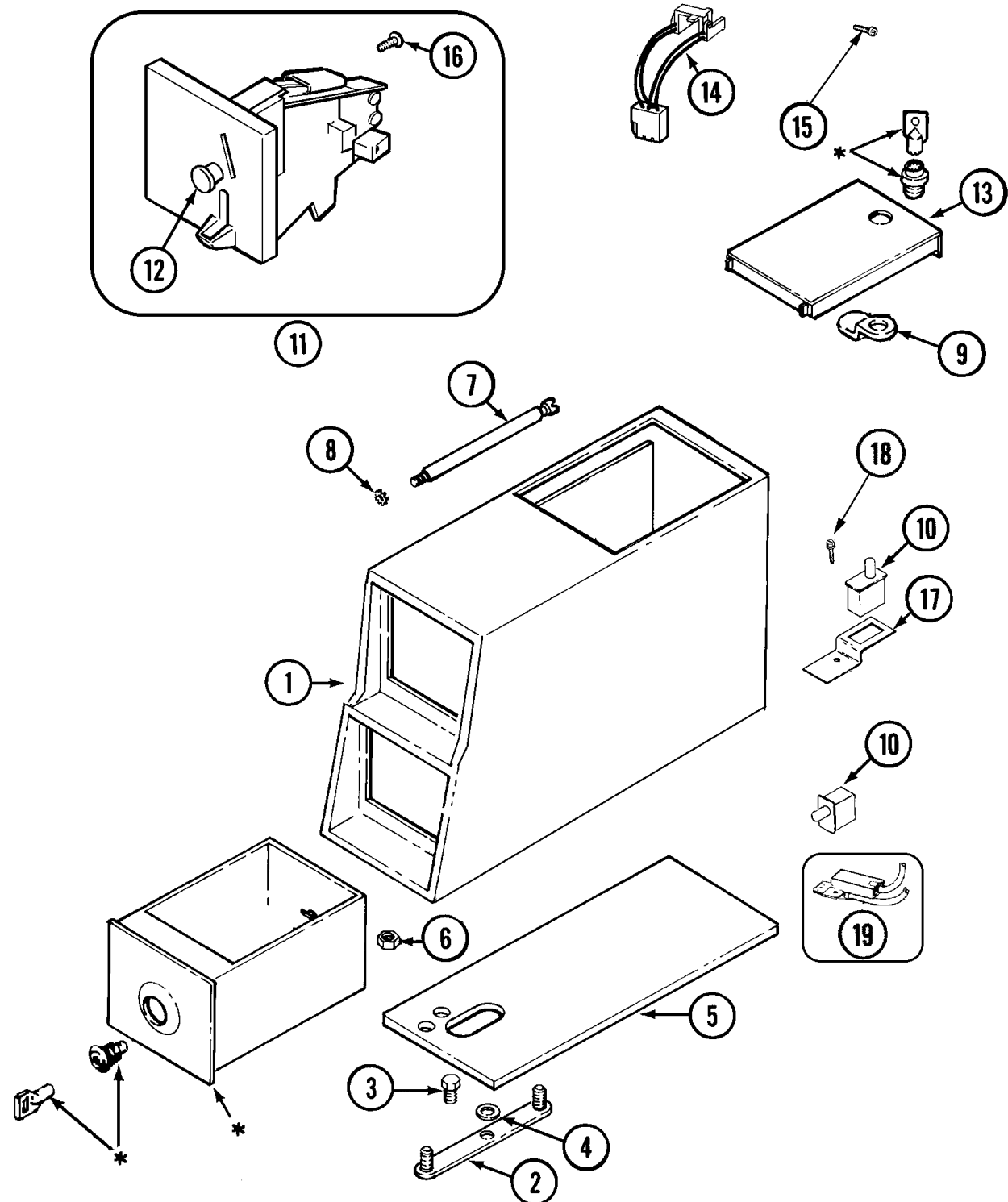
Section: CONTROL PANEL

No.	Part No.	Description	Series	Qty
1	22004349	Facia - PD/PS (CONTROL PANEL)	10	1
2	215506	SCREW, TORX Note: SCREW, CONTROL PANEL	10	4
3	205810	WIRE, GROUND	10	1
-	215527	SCREW Note: SCREW, CONTROL SWITCH	10	2
4	206808	CONTROL SWITCH ASSY. Note: CONTROL SWITCH ASSEMBLY	10	1
5	215517	PUSHBUTTON Note: PUSHBUTTON, CONTROL SWITCH	10	2
6	22003676	BRACKET, BACK (WHT)	10	1
7	212276	SCREW	10	2
8	22003089	CONSOLE (WHT)	10	1
9	22002925	SCREW	10	5
10	215003	FASTENER	10	2
11	22002139	TRANSFORMER (STEP-DOWN COMM)	10	1
-	22001419	NUT (ELASTIC) Note: NUT, TRANSFORMER	10	2
12	211251	SCREW Note: SCREW, TRANSFORMER	10	2
13	22004171	RELAY BOARD OPL	10	1
14	33001204	STANDOFF, CIRCUIT BOARD	10	4
15	22004245	BOARD, CONTROL PD-JAPAN	10	1
16	912077	LOCKNUT Note: LOCKNUT, CONTROL BOARD	10	6
17	22002943	STAND-OFF	10	4
18	22004356	HARNES, WIRE MAIN JAPAN	10	1
-	22003858	EMI SUPPRESSION FILTER, 16A	10	1
19	22002954	DEFLECTOR, WATER (W/ADHESIVE)	10	1
20	210186	SCREW, GROUND WIRE TO BASE--NA Note: SCREW, GROUND WIRE	10	1
21	215526	SCREW Note: SCREW, CIRCUIT BOARD	10	2
22	215527	SCREW Note: SCREW, BACK BRACKET	10	2
23	22001962	COVER, DISPLAY	10	1

*Color Code (-)=Not Shown #=Series, Serial Prefix or Run No., N=Not Available

Section: CONTROL CENTER

Model: MAH21PDD3W



* CONTACT YOUR COMMERCIAL LAUNDRY DISTRIBUTOR

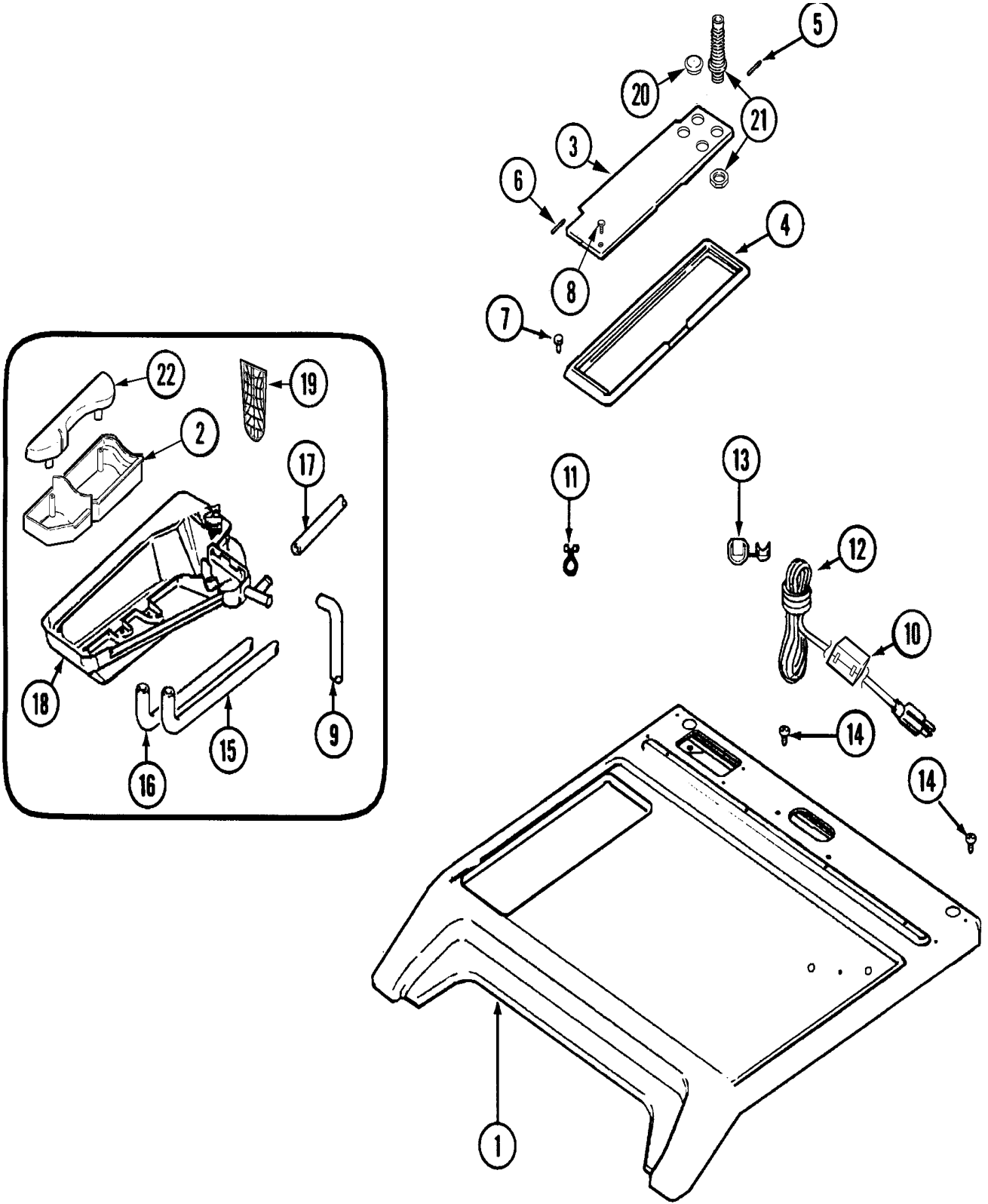
Section: CONTROL CENTER

No.	Part No.	Description	Series	Qty
1	22002480	VAULT, COIN (WHT)PD	10	1
-	22003901	VAULT SWITCH SHIELD	10	1
2	22001810	STRAP, MOUNTING	10	1
3	22001996	SCREW Note: SCREW, MOUNTING STRAP	10	1
4	910309	WASHER Note: WASHER, MOUNTING STRAP	10	1
5	22002072	GASKET, CONTROL CENTER (WHT)	10	1
6	Y052740	NUT Note: NUT, CASE MOUNTING	10	2
7	213035	BOLT, LOCKING	10	2
8	910181	LOCK WASHER Note: LOCKWASHER, LOCKING BOLT	10	2
9	22003677	LOCKING CAM	10	1
-	912012	SCREW Note: SCREW, SENSOR SWITCH	10	2
10	33001250	SWITCH, SENSOR	10	2
11	22003041	COIN DROP ASSEMBLY(YEN)	10	1
12	216200	BUTTON, RETURN Note: BUTTON, RETURN	10	1
13	22003679	TIMER ACCESS DOOR ASSY (WHITE)	10	1
-	22003900	ACCESS DOOR SWITCH SHIELD	10	1
14	22001965	SWITCH ASSY., OPTIC	10	1
15	314665	SCREW Note: SCREW, OPTIC SWITCH	10	1
16	216068	SCREW Note: SCREW, COIN DROP	10	3
17	22001404	BRACKET, SWITCH	10	1
18	22001069	SCREW----NA Note: SCREW, SWITCH BRACKET	10	1
19	22001966	HARNESS, SENSOR SWITCH	10	1

*Color Code (-)=Not Shown #=Series, Serial Prefix or Run No., N=Not Available

Section: TOP

Model: MAH21PDD3W



CW13-16

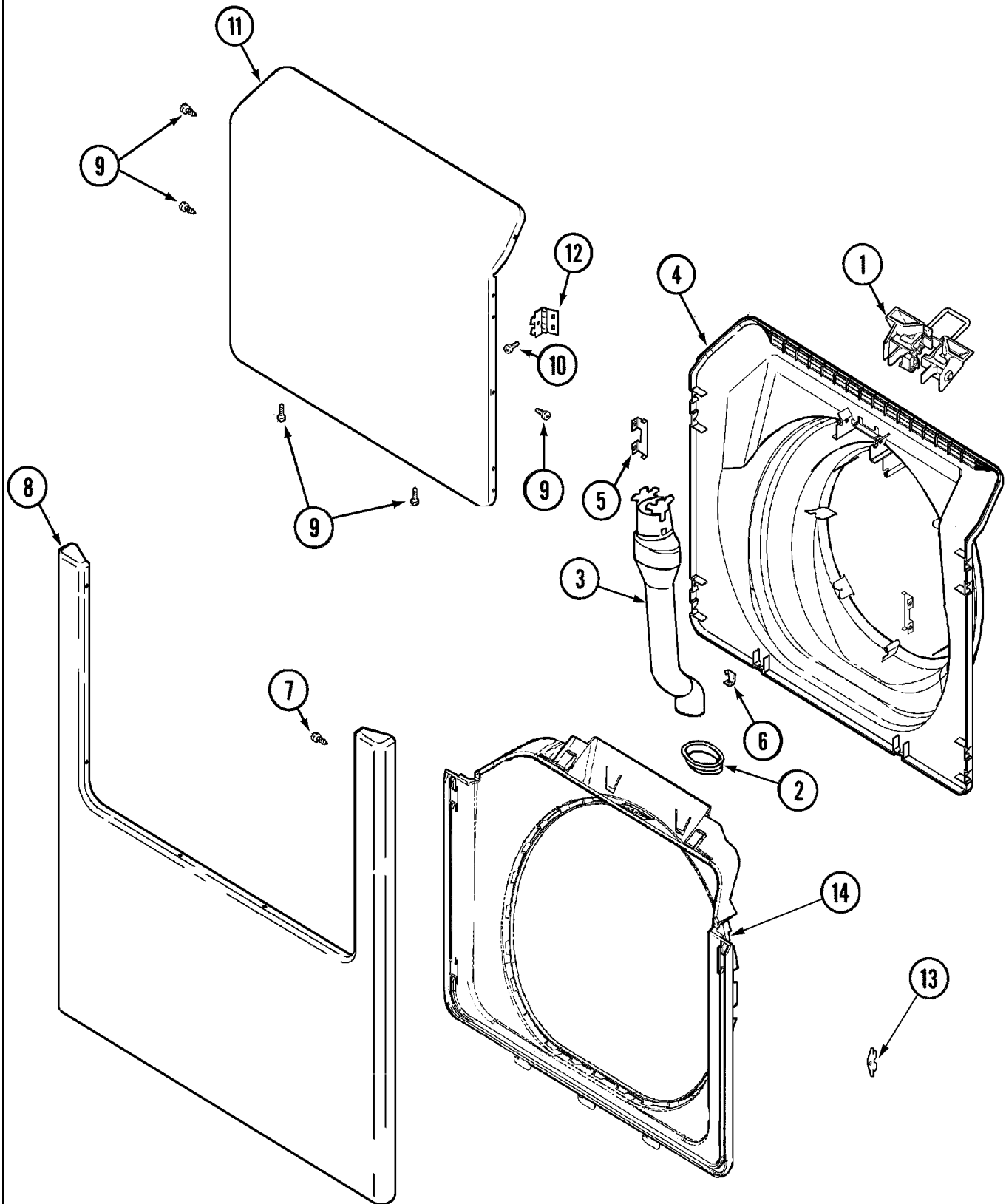
Section: TOP

No.	Part No.	Description	Series	Qty
1	22004178	COVER, TOP (WHT-AS PK)	10	1
2	22002265	CUP, SIPHON	10	1
-	22002910	SCREW	10	2
3	22002909	LID, DISPENSER (OPL)	10	1
4	22003665	BEZEL, DISPENSER	10	1
5	Y912678	PIN, HINGE (LONG) Note: PIN, HINGE (LONG)	10	1
6	Y912679	PIN, HINGE (SHORT) Note: PIN, HINGE (SHORT)	10	1
7	22002230	SCREW, DISPENSER Note: SCREW, DISPENSER BEZEL	10	2
8	22002910	SCREW Note: SCREW, DISPENSER LID	10	2
9	22003259	HOSE, SHOWER (9 1/2") Note: HOSE, SHOWER	10	1
10	33002501	FILTER, EMI	10	1
-	212276	SCREW Note: SCREW, WIRE TIE	10	1
11	22002027	WIRE TIE, TWIST LOCK	10	2
12	22003045	CORD, POWER	10	1
13	22003223	GROMMET, CORD	10	1
14	912365	SCREW Note: SCREW, POWER CORD & GROUND	10	1
-	205161	CLAMP - 15/16"	10	2
15	22002551	HOSE, BLEACH	10	1
16 N	22002552	HOSE, FABRIC SOFTENER----NA	10	1
-	205161	CLAMP - 15/16"	10	2
17	22003260	EXTENSION, NOZZLE	10	1
-	205161	CLAMP - 15/16"	10	2
-	22003322	TOP, DISPENSER (FLUME)	10	1
18	22003723	BOTTOM, DISPENSER	10	1
19	22003321	GRID, DISPENSER	10	1
20	22002911	PLUG, HOLE (DISPEN LID)	10	4
21	22002908	TUBE FITTING, FLEXIBLE	10	2
22	22002266	CAP, SIPHON	10	1

*Color Code (-)=Not Shown #=Series, Serial Prefix or Run No., N=Not Available

Section: DOOR, FRONT PANEL & SHROUD

Model: MAH21PDD3W



LW18-17

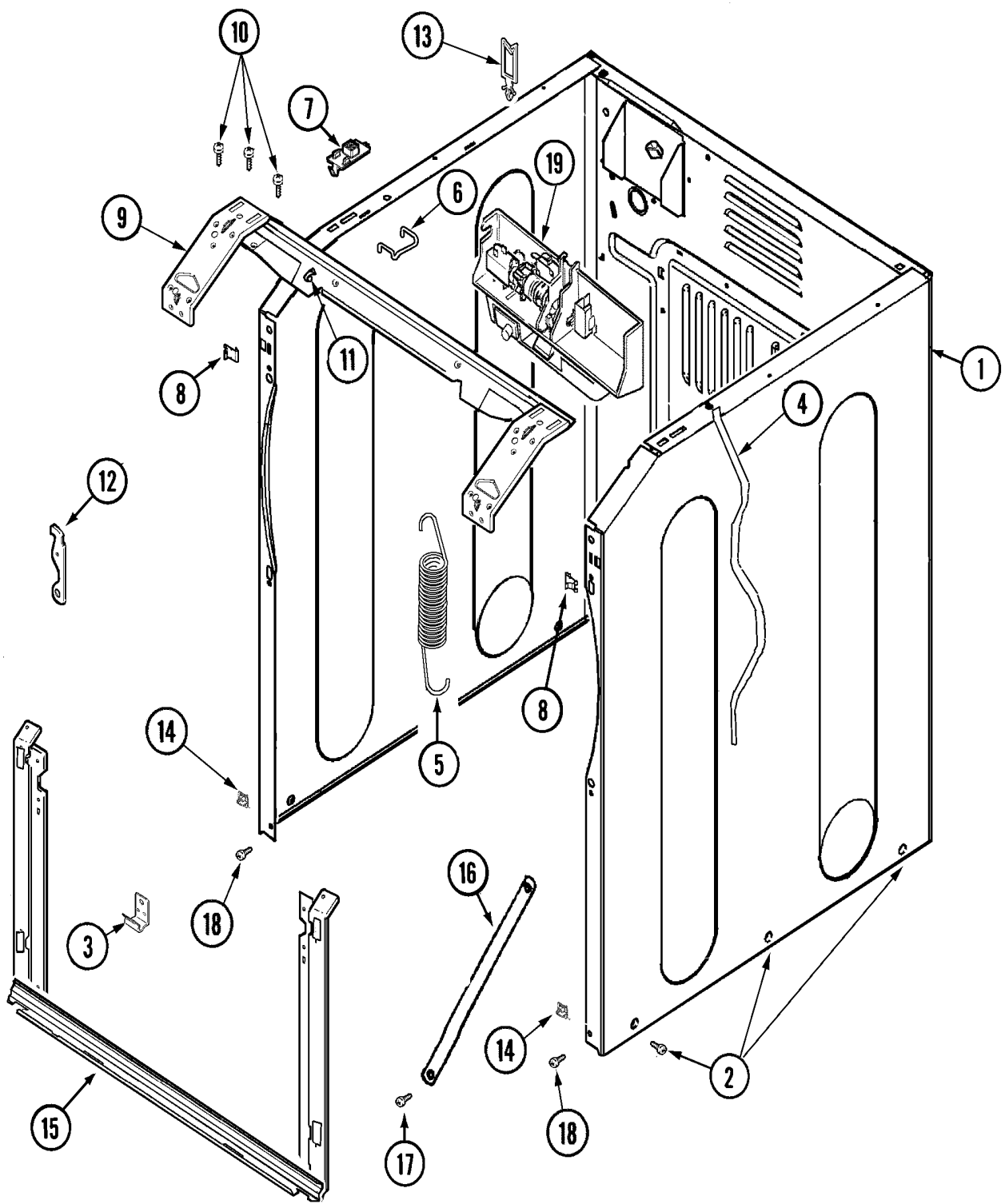
Section: DOOR, FRONT PANEL & SHROUD

No.	Part No.	Description	Series	Qty
1	22003269	DOOR, LOCK HOOP ASSEMBLY	10	1
2	22003075	GROMMET, VENT TUBE	10	1
3	22003850	VENT TUBE ASSEMBLY	10	1
5	22002038	CLIP, DOOR (DOUBLE) Note: CLIP, DOOR (DOUBLE)	10	4
6	22002039	CLIP, DOOR (SINGLE) Note: CLIP, DOOR (SINGLE)	10	4
-	22002244	CLIP, GROUNDING	10	1
7	22002243	SCREW Note: SCREW, FRONT PANEL & HINGE	10	4
-	22002049	CLIP Note: CLIP (PANEL/CABINET)	10	2
8	22002836	PANEL, FRONT (WHT) Note: PANEL, FRONT (WHT)	10	1
9	22002063	SCREW #8-18AB WAFER HD	10	6
10	22002062	SCREW Note: SCREW, HINGE	10	4
12	22002798	HINGE, DOOR	10	2
13	33001764	COVER, HINGE HOLE (WHT)	10	2
-	33001846	SCREW	10	2
14 N	22003516	SHROUD (WHT)----NA	10	1

*Color Code (-)=Not Shown #=Series, Serial Prefix or Run No., N=Not Available

Section: CABINET-FRONT

Model: MAH21PDD3W



CW12-45

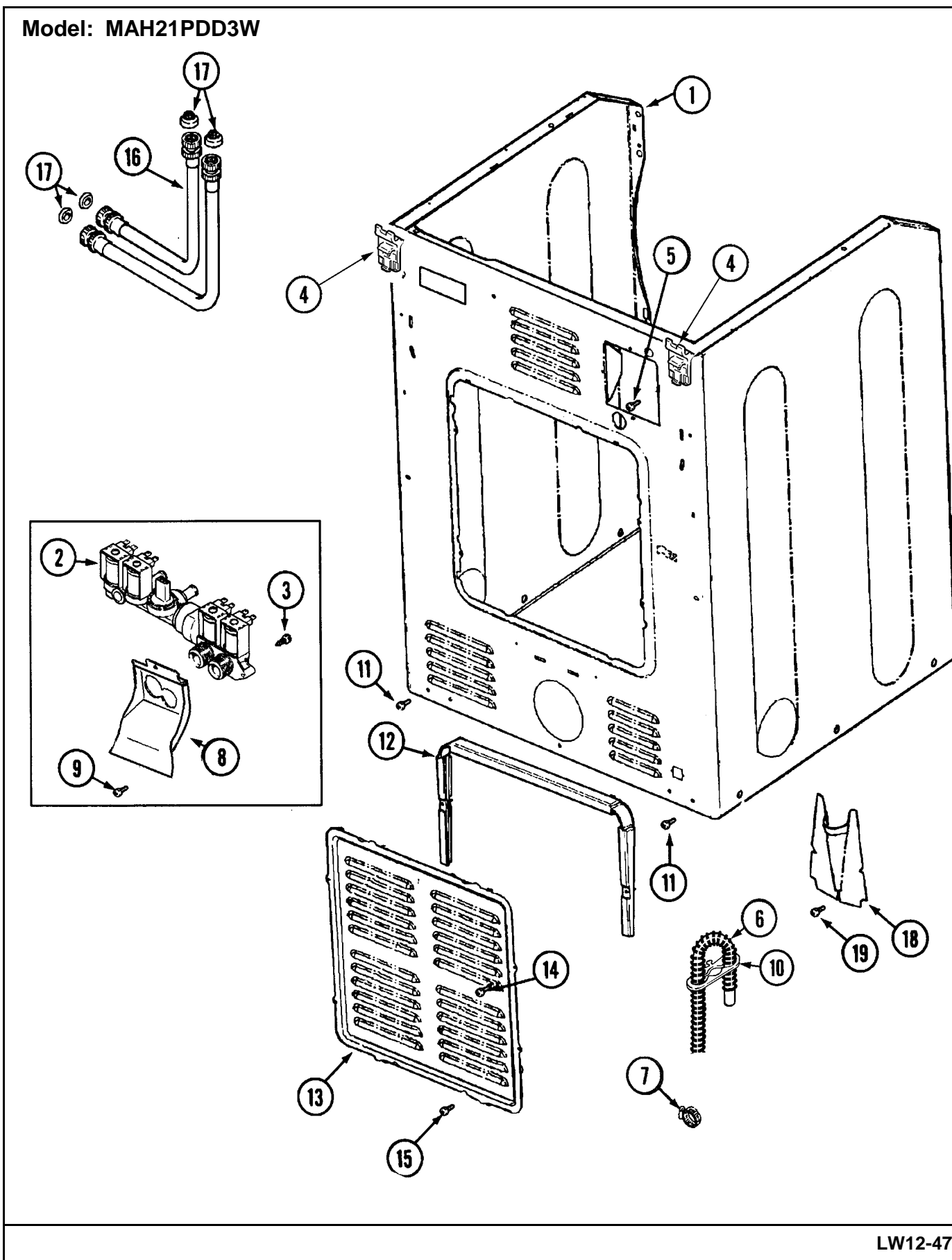
Section: CABINET-FRONT

No.	Part No.	Description	Series	Qty
1	22003639	CABINET ASSY. (WHT AS PK)	10	1
2	213007	SCREW, CABINET	10	6
3	22002239	CLIP, LOWER FRONT PANEL	10	2
4	33001836	STRAP, TOP COVER SUPPORT	10	1
5	22003254	SPRING, CABINET	10	2
6	22002297	SUPPORT, SPRING	10	2
7	22001997	SPACER, TOP COVER	10	2
8	22002049	CLIP	10	2
9	22003637	BRACE ASSEMBLY, TOP CROSS	10	1
10	22001995	SCREW	10	5
11	22002014	CLIP	10	6
12	33002597	HOOK, SECURITY	10	2
13	22003298	RETAINER, WIRE	10	2
14	22002013	STOP, SHIPPING	10	4
15	22003638	SHROUD SUPPORT ASSEMBLY	10	1
-	22001995	SCREW	10	4
16	22002259	BRACE, CROSS	10	2
17	22001995	SCREW	10	4
18	22001995	SCREW	10	2
19	22003706	DOOR LOCK ASSEMBLY, COMMERCIAL	10	1

*Color Code (-)=Not Shown #=Series, Serial Prefix or Run No., N=Not Available

Section: CABINET-REAR

Model: MAH21PDD3W



LW12-47

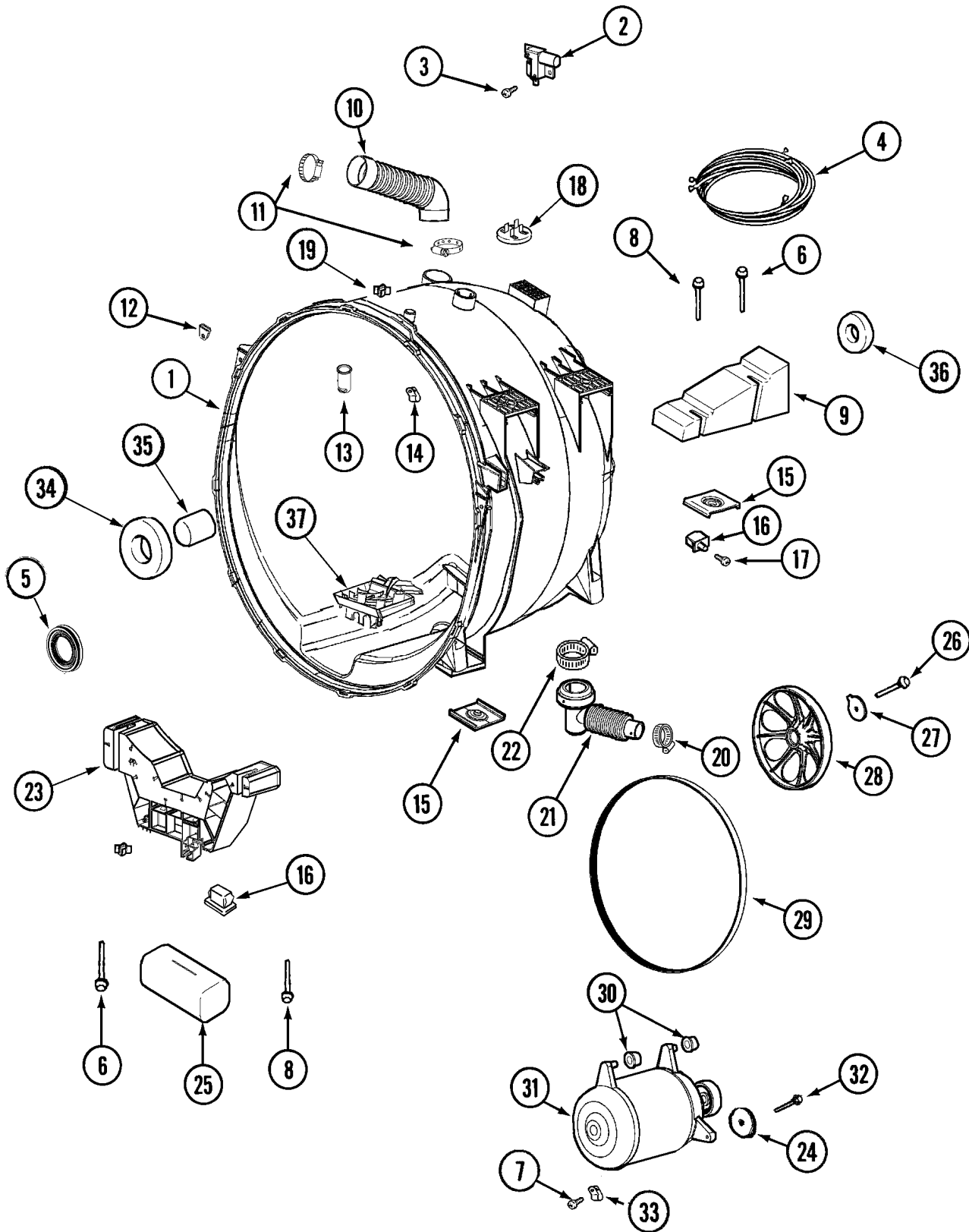
Section: CABINET-REAR

No.	Part No.	Description	Series	Qty
1	22003639	CABINET ASSY. (WHT AS PK)	10	1
2	22002944	VALVE, WATER	10	1
-	205161	CLAMP - 15/16" Note: CLAMP, HOSE (BLEACH HOSE) (FABRIC SOFTENER HOSE) (DETERGENT HOSE)	10	3
3	22002436	SCREW Note: SCREW, WATER VALVE	10	2
-	22001995	SCREW	10	2
4	22004095	HINGE, PLASTIC	10	2
-	N 313363	WASHER Note: WASHER, GROUND LUG	10	1
5	N 33001245	SCREW----NA Note: SCREW, GROUND LUG	10	1
6	22003319	HOSE, DRAIN (CORR)(80 1/2")	10	1
7	22001984	CLAMP, DRAIN HOSE	10	1
8	33002212	BRACKET, WATER VALVE	10	1
9	N 313561	SCREW----NA Note: SCREW, WATER VALVE BRACKET	10	1
10	22002892	RETAINER, DRAIN HOSE	10	1
11	22001995	SCREW Note: SCREW, CABINET	10	2
12	22002022	SPACER, ACCESS PANEL	10	1
13	22004355	REAR ACCESS PANEL	11	1
13	22002092	PANEL, ACCESS	10	1
14	22002295	SCREW Note: SCREW, ACCESS PANEL SPACER	10	2
15	22001996	SCREW Note: SCREW, ACCESS PANEL	10	2
16	35-3401	HOSE, INLET (HOT)	10	2
16	35-3400	HOSE, INLET (COLD)	10	2
17	22002960	STRAINER, WASHER INLET	10	4
18	22002704	COVER, DRAIN HOSE	10	1
19	22001995	SCREW Note: SCREW, DRAIN HOSE COVER	10	1

*Color Code (-)=Not Shown #=Series, Serial Prefix or Run No., N=Not Available

Section: OUTER TUB & MOTOR

Model: MAH21PDD3W



CW17-50

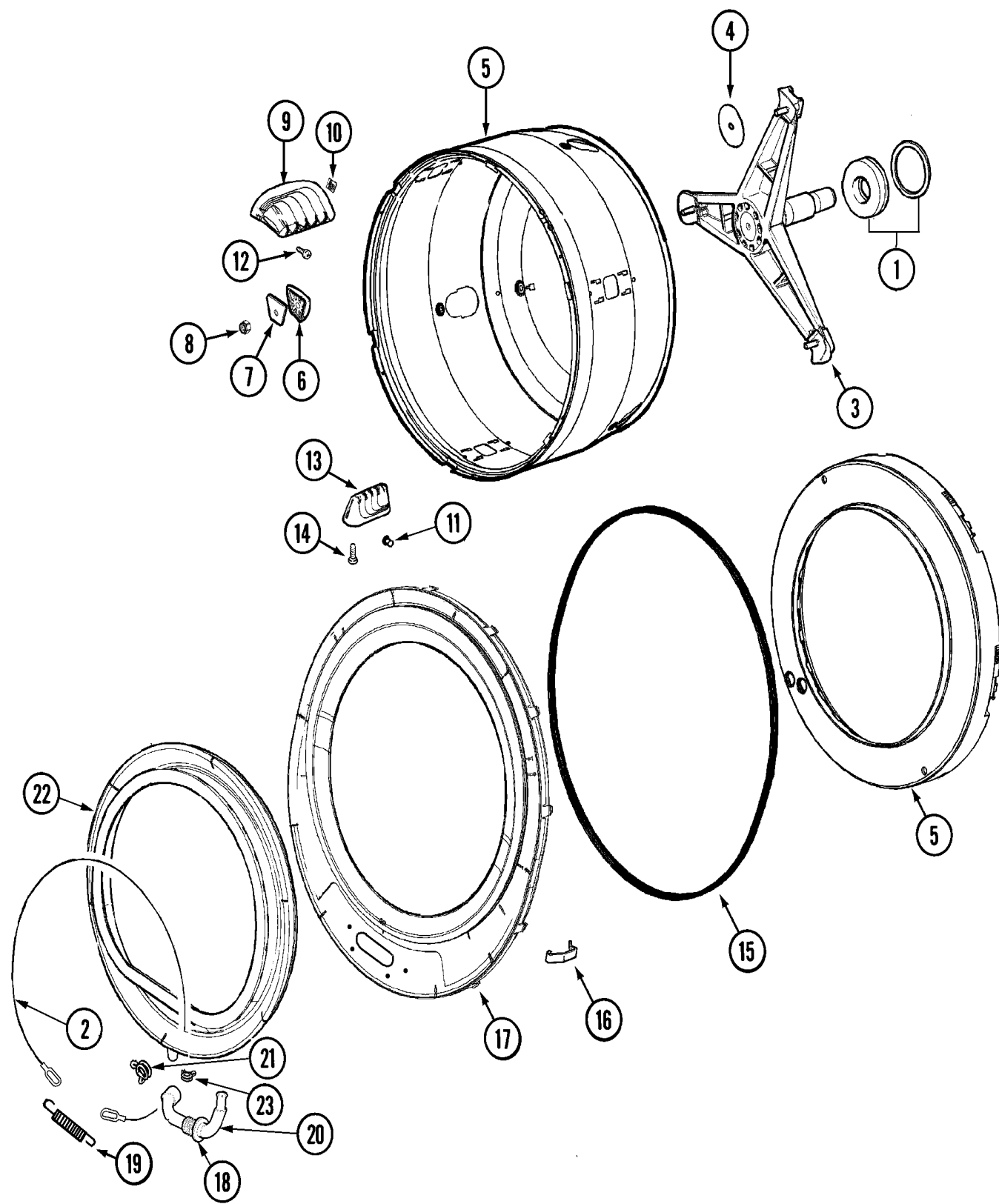
Section: OUTER TUB & MOTOR

No.	Part No.	Description	Series	Qty
1	22004465	OUTER TUB ASSY, AS PACK	19	1
1	22004465	OUTER TUB ASSY, AS PACK	10	1
2	22003302	SWITCH, INTERNAL UNBALANCE	10	1
3	912615	SCREW, #8X1/2 HEX WASHER HEAD Note: SCREW, INERTIAL SWITCH	10	2
4	22004052	HARNESS UPPER SUB ASSY	10	1
5	12002022	LIP SEAL KIT	10	1
6	33002973	SCREW, #9-15 X 1.00 HX WS	20	2
6	22003615	BOLT, DOUBLE SEMS 5-3/8	10	1
7	22002019	SCREW	10	1
8	22003616	BOLT, DOUBLE SEMS 3-3/8	10	1
8	33002973	SCREW, #9-15 X 1.00 HX WS	20	2
9	22002102	WEIGHT, COUNTER BALANCE	10	1
10	22002083	HOSE, INJECTOR	10	1
11	22003627	CLAMP, STEPLESS	10	2
12	22002103	CLIP, U	10	2
13	22004310	WATER DEFLECTOR	10	1
14	22002006	CLIP	10	6
15	22002065	NUT, COUNTER BALANCE	10	4
16	22002044	SWITCH, TUB DISPLACEMENT Note: SWITCH, UNBALANCE	10	2
17	22002061	SCREW Note: SCREW, DISPLACEMENT SWITCH	10	2
18	22002797	CLIP, HOSE (SADDLE HORN)	10	1
19	22002006	CLIP	10	1
-	22002019	SCREW	10	1
20	22001984	CLAMP, DRAIN HOSE	10	1
21	22003262	HOSE, TUB TO PUMP	10	1
22	22002053	CLAMP, SUMP HOSE	10	1
23	22003826	LOWER BRACKET	10	1
-	33002973	SCREW, #9-15 X 1.00 HX WS	20	4
23	22004472	BRACKET, LOWER	19	1
24	22002320	WASHER, STRUT	10	1
25	22003827	CUSHION	10	1
26	22002057	SCREW, SPINNER	10	1
27	22003936	WASHER (1 1/4")	10	1
28	22002315	PULLEY, SPINNER	10	1
29	22002313	BELT, DRIVE	10	1
30	22003329	ISOLATOR, MOTOR	10	2
31	22004269	MOTOR - JAPANESE, VARI. SPEED	10	1
-	22004273	MOTOR SHIELD	10	1
32	22003686	BOLT, MOTOR	10	1
33	22002006	CLIP	10	1
34	22002934	BEARING, FRONT	10	1
35	22002935	SPACER, BEARING	10	1
36	22003441	BEARING, REAR	10	1
37	22003710	SUMP CAP W/ LABYRINTH FEATURE	10	1
-	22002059	SCREW	10	2

*Color Code (-)=Not Shown #=Series, Serial Prefix or Run No., N=Not Available

Section: SPINNER ASSEMBLY & OUTER TUB COVER

Model: MAH21PDD3W



LW13-42

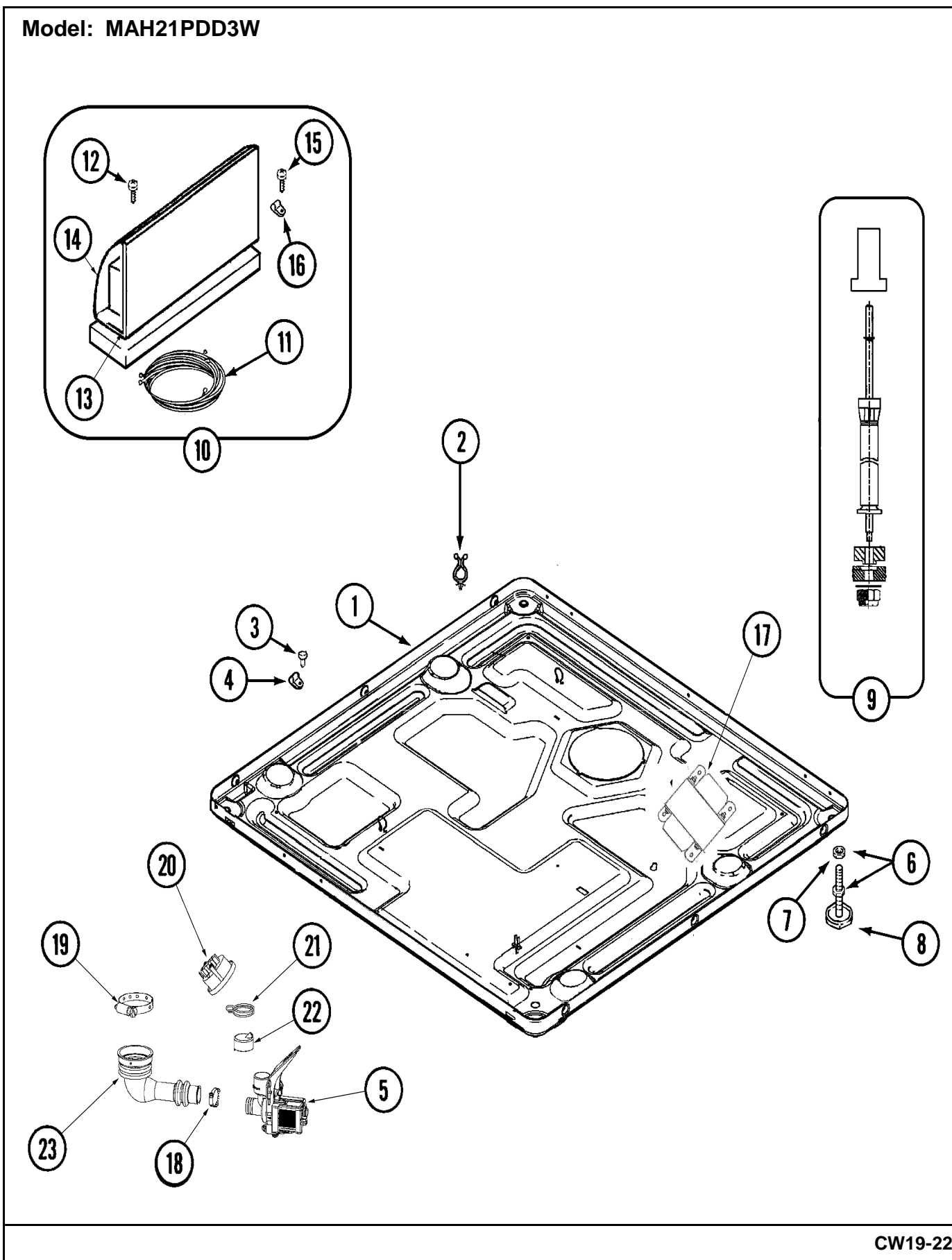
Section: SPINNER ASSEMBLY & OUTER TUB COVER

No.	Part No.	Description	Series	Qty
1	12002022	LIP SEAL KIT	10	1
2	22002327	BOOT CABLE CLAMP	10	1
3	22003638	SHROUD SUPPORT ASSEMBLY	10	1
4	22002023	WASHER, PLASTIC	10	3
5	22003670	SPINNER ASSY W' BALANCE RING	10	1
6	22002482	WASHER, PROFILE	10	3
7	22002020	WASHER, SPINNER SUPPORT	10	3
8	22002122	NUT, SPINNER ATTACHMENT	10	3
9	22001985	BAFFLE, DRIP (REAR)	10	3
10	22002009	GROMMET, BAFFLE (REAR)	10	3
11	22001999	GROMMET, BAFFLE (FRT) Note: GROMMET, BAFFLE (FRONT)	10	3
12	22003556	SCREW Note: SCREW, BAFFLE (REAR)	10	6
13	22001986	BAFFLE, DRIP (FRONT)	10	3
14	22002059	SCREW Note: SCREW, BAFFLE (FRONT)	10	6
15	22002077	SEAL, TUB COVER	10	1
16	22002050	CLIP, TUB TO COVER	10	12
17	22004264	ASSY., TUB COVER & SEAL	10	1
18	22003074	GUARD, HOSE	10	1
19	22002099	SPRING, TUB	10	1
20	22003071	DOOR BOOT DRAIN HOSE Note: HOSE, DRAIN	10	1
21	22003072	CLAMP, HOSE DOUBLE WIRE	10	1
22	22003893	DOOR BOOT, BLACK	10	1
23	22003073	CLAMP, HOSE DOUBLE WIRE	10	1

*Color Code (-)=Not Shown #=Series, Serial Prefix or Run No., N=Not Available

Section: BASE & MOTOR CONTROL

Model: MAH21PDD3W



CW19-22

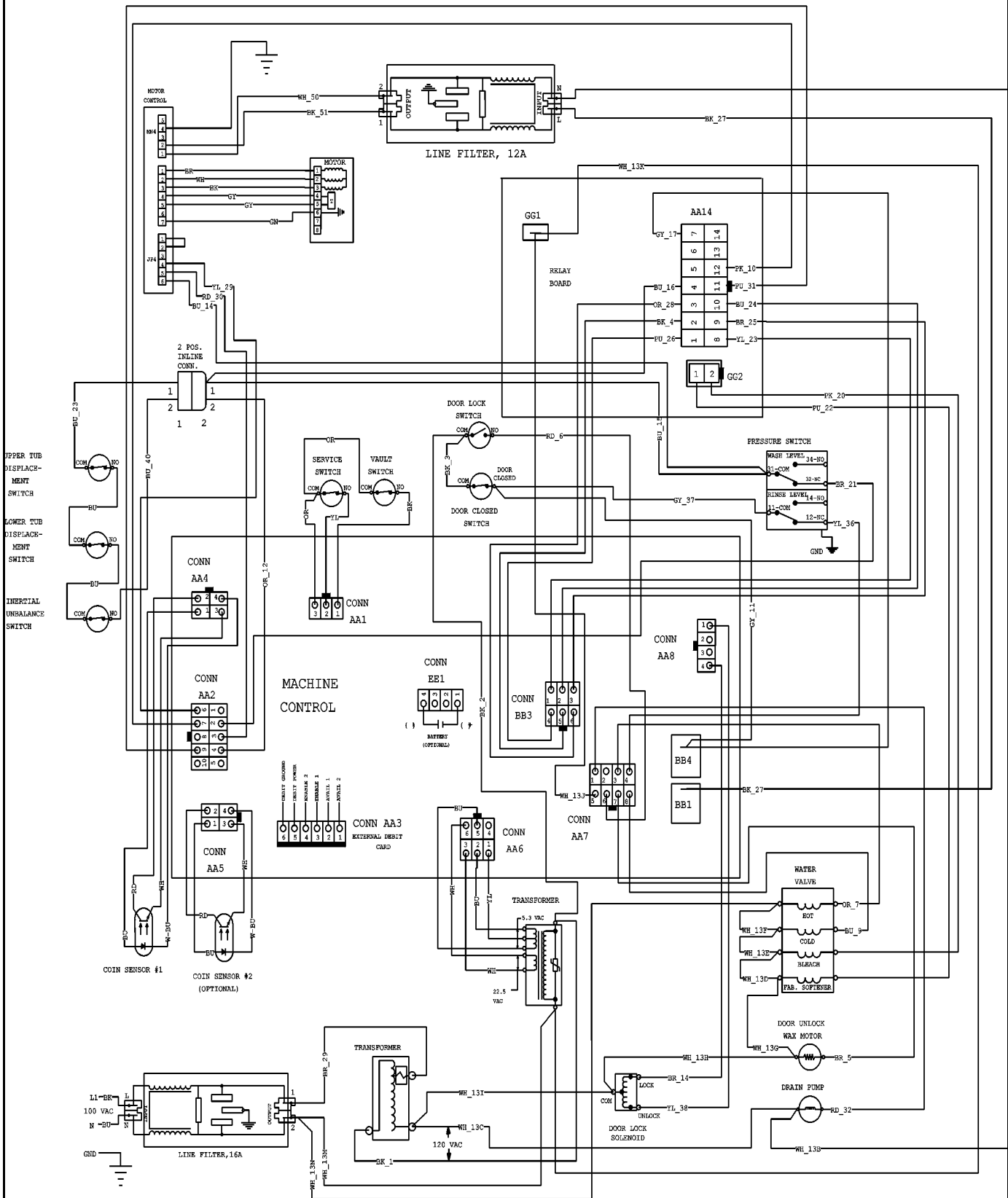
Section: BASE & MOTOR CONTROL

No.	Part No.	Description	Series	Qty
1	22003926	COMMERCIAL BASE WELD ASSY	10	1
2	22003298	RETAINER, WIRE	10	7
3	212276	SCREW Note: SCREW, WIRE HARNESS CLIP	10	1
4	22002014	CLIP Note: CLIP, WIRE HARNESS	10	2
-	22003903	PUMP TERMINAL SHIELD	10	1
5	22003791	PUMP, DRAIN (120V-60/50HZ)	10	1
6	22003544	ADJUSTABLE LEG W/FOOT & NUT	10	4
7	Y052740	NUT Note: NUT, LEG	10	4
8	210684	FOOT, RUBBER	10	4
9	22001988	STRUT ASSY-REAR	10	2
10	22004268	MOTOR CONTROL ASSY - JAPANESE	10	1
11	22004047	HARNESS, MOTOR/MOTOR CONTROL	10	1
12	212276	SCREW Note: SCREW, MOTOR CONTROL BRACKET	10	2
13	22003216	MOTOR CONTROL MOUNTING BRACKET Note: RIVET, WIRE HARNESS CLIP	10	1
14	22003899	MOTOR CONTROL SHIELD (SANYO) Note: THIS PART NO LONGER USED IN THIS PRODUCT	10	1
15	210720	RIVET	10	1
16	22002173	CLIP, WIRE HARNESS	10	1
17	22003046	TRANSFORMER	10	1
-	22003902	RANSFORMER SHIELD	10	1
18	22001984	CLAMP, DRAIN HOSE	10	1
19	22002053	CLAMP, SUMP HOSE	10	1
20	22003728	SWITCH, PRESSURE	10	1
21	22002853	CLAMP, HOSE	10	1
22	22003268	CAP, RUBBER	10	1
23	22003262	HOSE, TUB TO PUMP	10	1

*Color Code (-)=Not Shown #=Series, Serial Prefix or Run No., N=Not Available

Section: WIRING INFORMATION

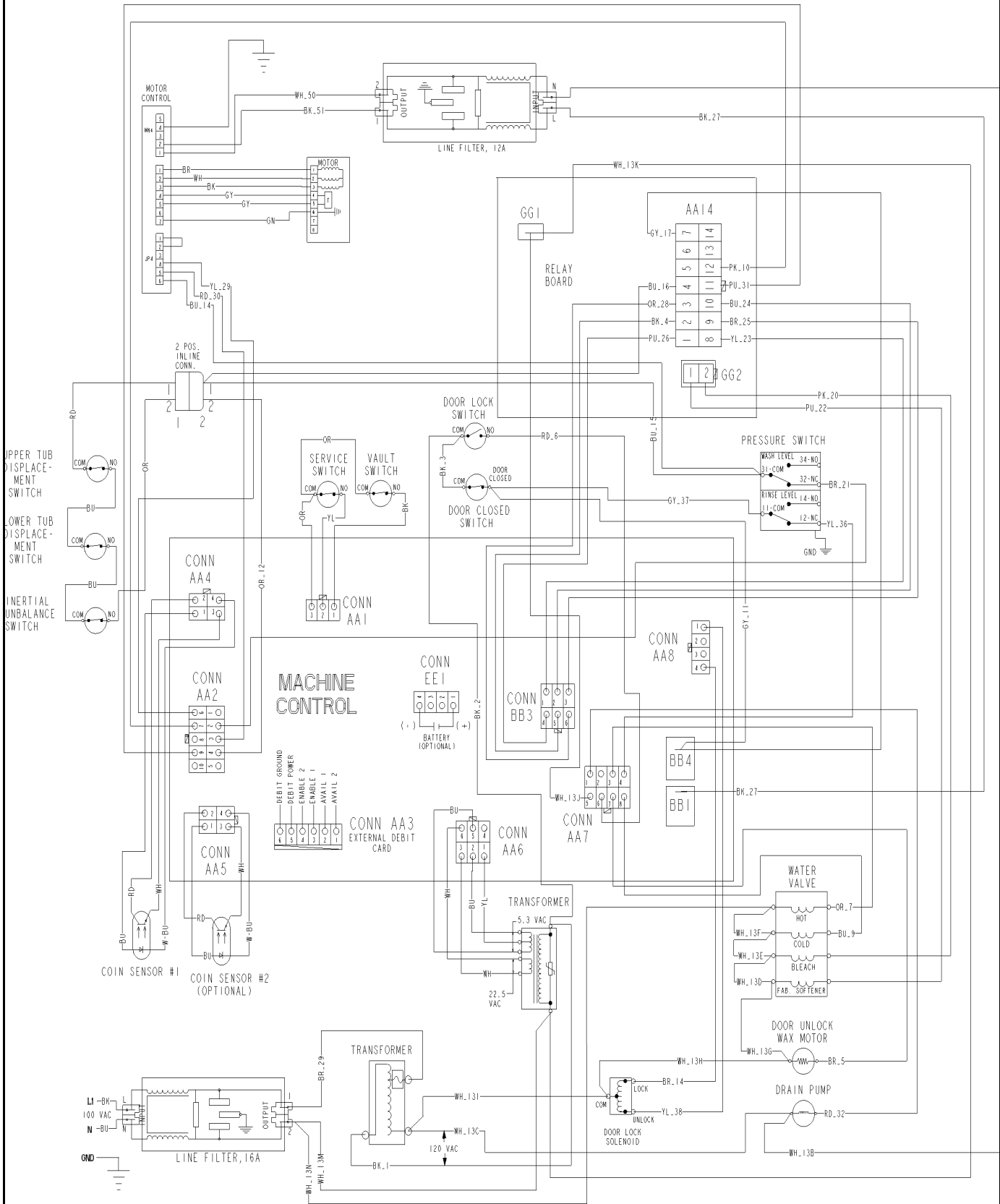
Model: MAH21PDD3W



15003488

Section: WIRING INFORMATION SER-15

Model: MAH21PDD3W



15003564

Section: WIRING INFORMATION SER-15

No.	Part No.	Description	Series Qty
1	N 15003564	WIRING INFORMATION	15 1

*Color Code (-)=Not Shown #=Series, Serial Prefix or Run No., N=Not Available

