

PARTS LIST

for

MAYTAG[®]

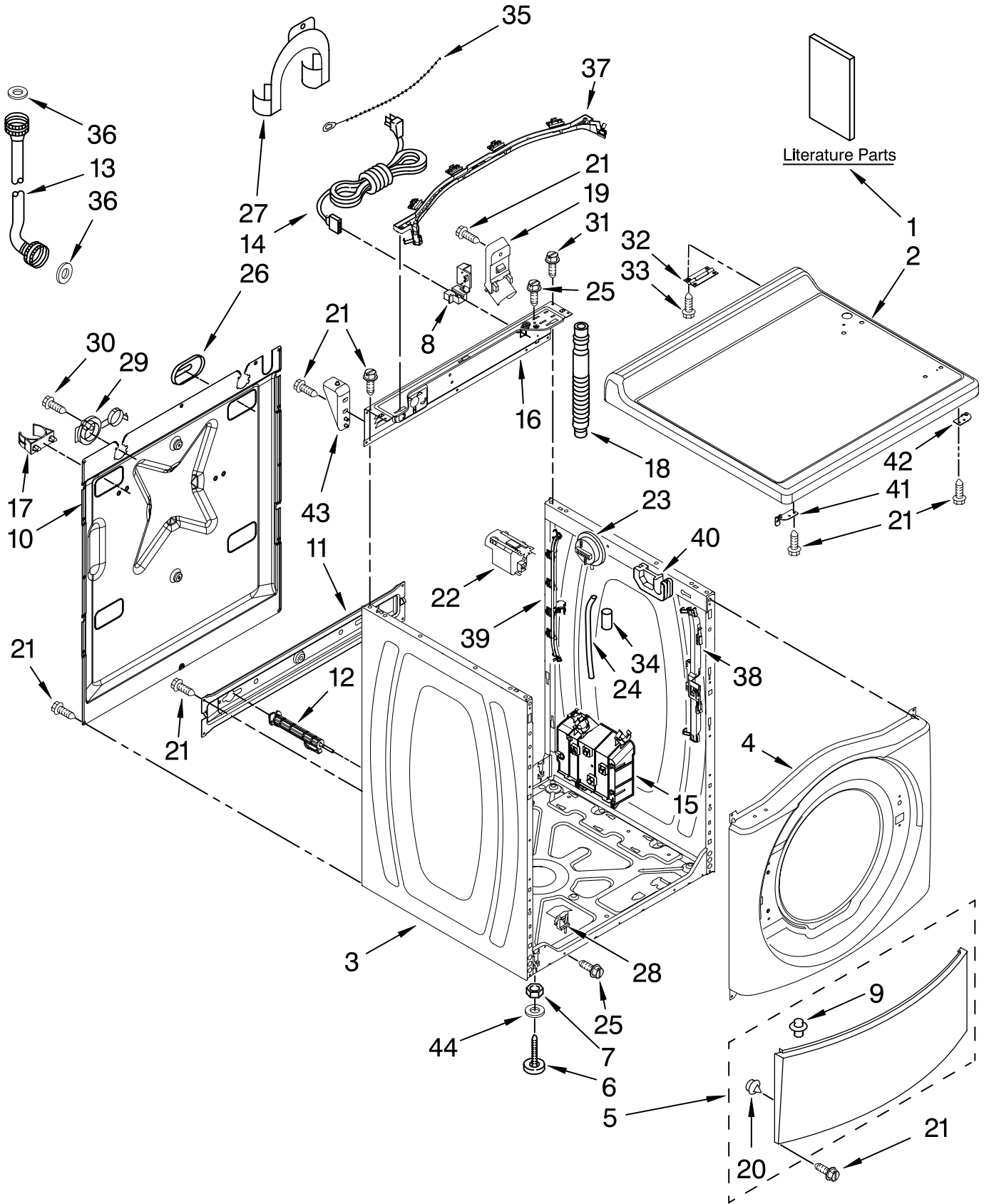
**COMMERCIAL
AUTOMATIC WASHER**

MODEL NO.

MAH22PDAWW0

TOP AND CABINET PARTS

For Model: MAH2PDAWW0
(White)



FOR ORDERING INFORMATION REFER TO PARTS PRICE LIST

TOP AND CABINET PARTS

For Model: MAH22PDAWW0

(White)

Illus. No.	Part No.	DESCRIPTION	Illus. No.	Part No.	DESCRIPTION	Illus. No.	Part No.	DESCRIPTION
1		Literature Parts	15	W10163005	Motor Control Unit	29	8540728	Sleeve,
	W10165327	Installation	16	W10161694	Brace, Rear			Cord Support (2)
		Instructions	17	8540093	Clamp, Tube	30	8540727	Screw, 3 x 8 mm
		Tech Sheet			Transportation	31	8540329	Screw
	W10165326	English	18	W10114608	Hose, Drain	32	8565018	Hinge & Pin
	W10194214	French	19	8540607	Retainer,			Assembly
	W10165328	Repair Parts List			Hose Outlet	33	342055	Screw, 8-18 X 1/2
2	W10137411	Top	20	238614	Bumper (2)	34	2161302	Sleeve, Pressure
3	W10184997	Cabinet	21	W10015090	Screw, 8-18 x 5/8			Switch Hose
4	W10112948	Panel, Front	22	8540230	Filter,	35	3347868	Cable Tie
5	8540813	Toe Panel			Interference	36	16123	Washer, Water
6	W10121677	Foot, Leveling (4)	23	W10163980	Switch, Pressure			Inlet Hose (4)
7	3359452	Nut, Lock (4)	24	8540294	Hose, Pressure			1-1/16 x 5/8
8	W10110676	Strain Relief,	25	8540479	Screw, Grounding	37	W10168548	Harness Channel,
		Power Cord	26	8540268	Cover, Transport			Top Rear
9	8518891	Rivet	27	8540021	U-Bend,	38	W10168546	Harness Channel,
10	8540582	Panel, Rear			Drain Hose			Side Front
11	W10189659	Brace, Transport	28	W10085220	Microswitch (2)	39	W10168547	Harness Channel,
12	8540199	Bolt, Shipping (4)						Side Rear
13		Hose, Water Inlet				40	8540643	Bracket, Spring
	8571377	Blue Coupler				41	W10137445	Bracket - Top
	8571378	Red Coupler						Panel, Left
14	W10029820	Cord, Power				42	W10137444	Bracket - Top
								Panel, Right
						43	W10137398	Stop - Top Panel
						44	487576	Washer, Nylon (4)

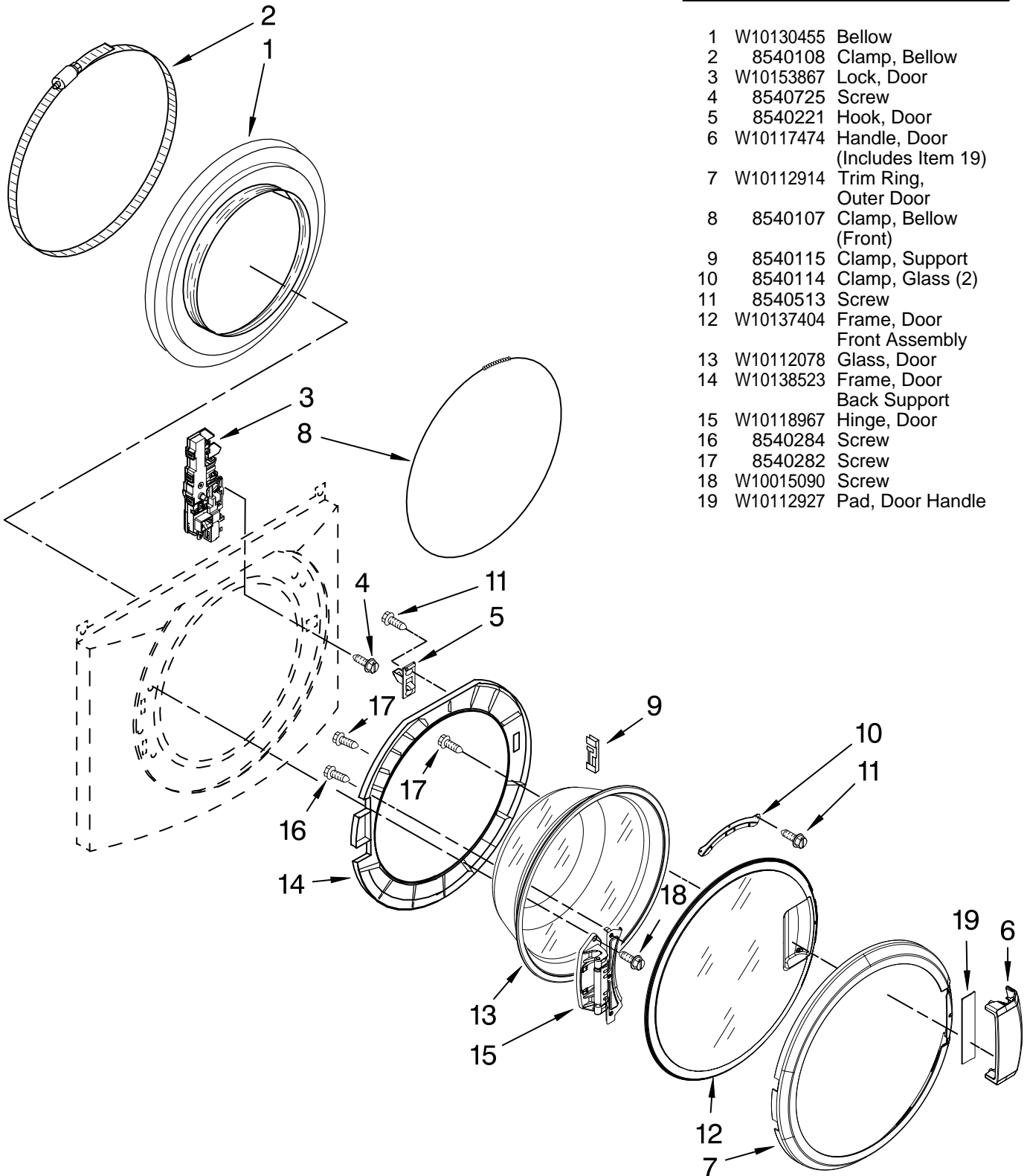
FOR ORDERING INFORMATION REFER TO PARTS PRICE LIST

DOOR AND LATCH PARTS

For Model: MAH22PDAWW0
(White)

Illus. Part
No. No. DESCRIPTION

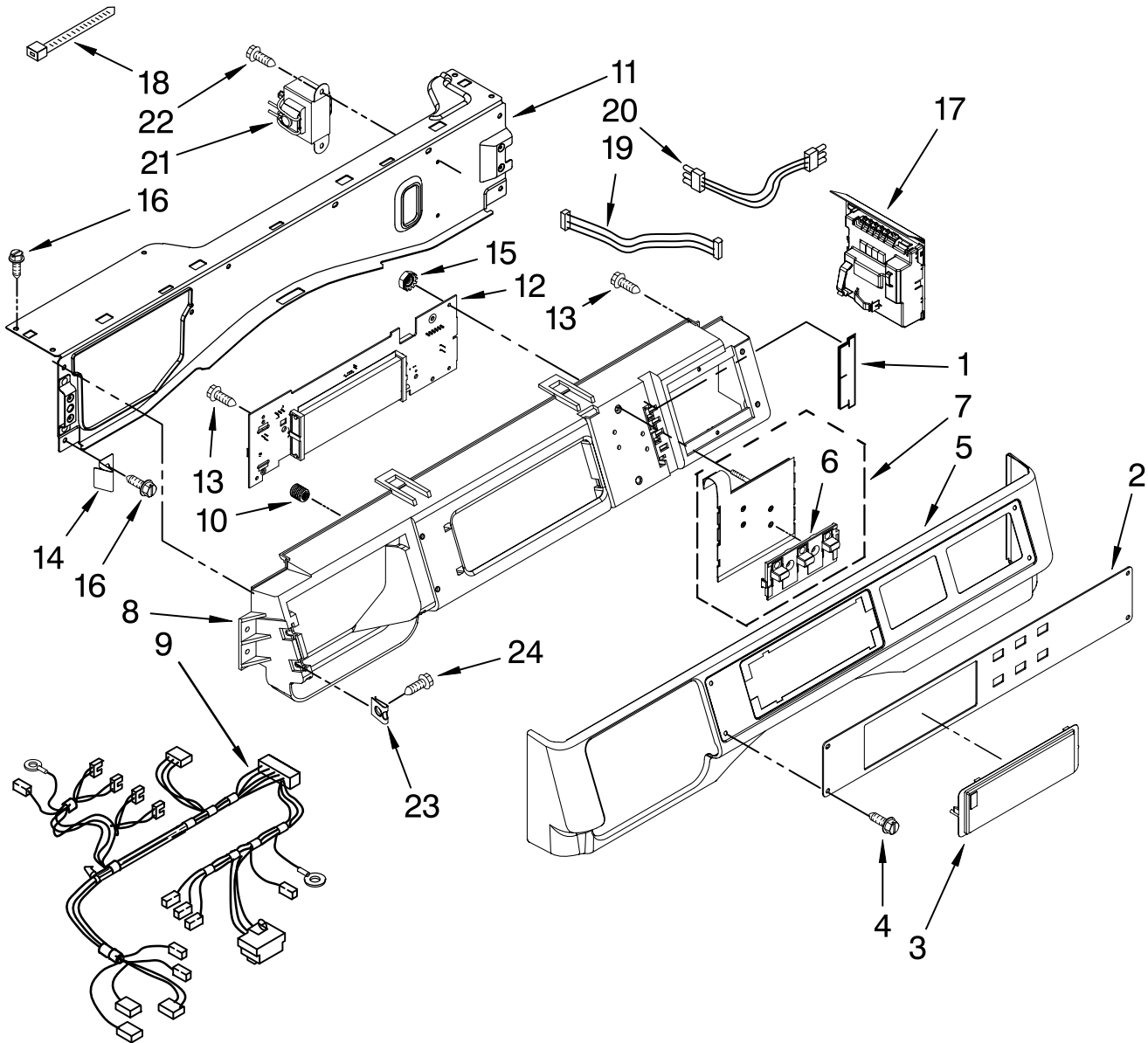
1	W10130455	Bellow
2	8540108	Clamp, Bellow
3	W10153867	Lock, Door
4	8540725	Screw
5	8540221	Hook, Door
6	W10117474	Handle, Door (Includes Item 19)
7	W10112914	Trim Ring, Outer Door
8	8540107	Clamp, Bellow (Front)
9	8540115	Clamp, Support
10	8540114	Clamp, Glass (2)
11	8540513	Screw
12	W10137404	Frame, Door Front Assembly
13	W10112078	Glass, Door
14	W10138523	Frame, Door Back Support
15	W10118967	Hinge, Door
16	8540284	Screw
17	8540282	Screw
18	W10015090	Screw
19	W10112927	Pad, Door Handle



FOR ORDERING INFORMATION REFER TO PARTS PRICE LIST

CONTROL PANEL PARTS

For Model: MAH22PDAWW0
(White)



Illus. No.	Part No.	DESCRIPTION
1	W10187276	Seal, Console
2	W10137436	Facia / Overlay
3	W10131114	Cover, Display
4	W10137457	Screw, 8-32 X 1/2
5	W10137458	Console, Outer
6	W10131113	Push Button (2)
7	W10135389	Push Button & Switch Assembly
8	W10137426	Console, Inner
9	W10153921	Harness, Wiring (Main)

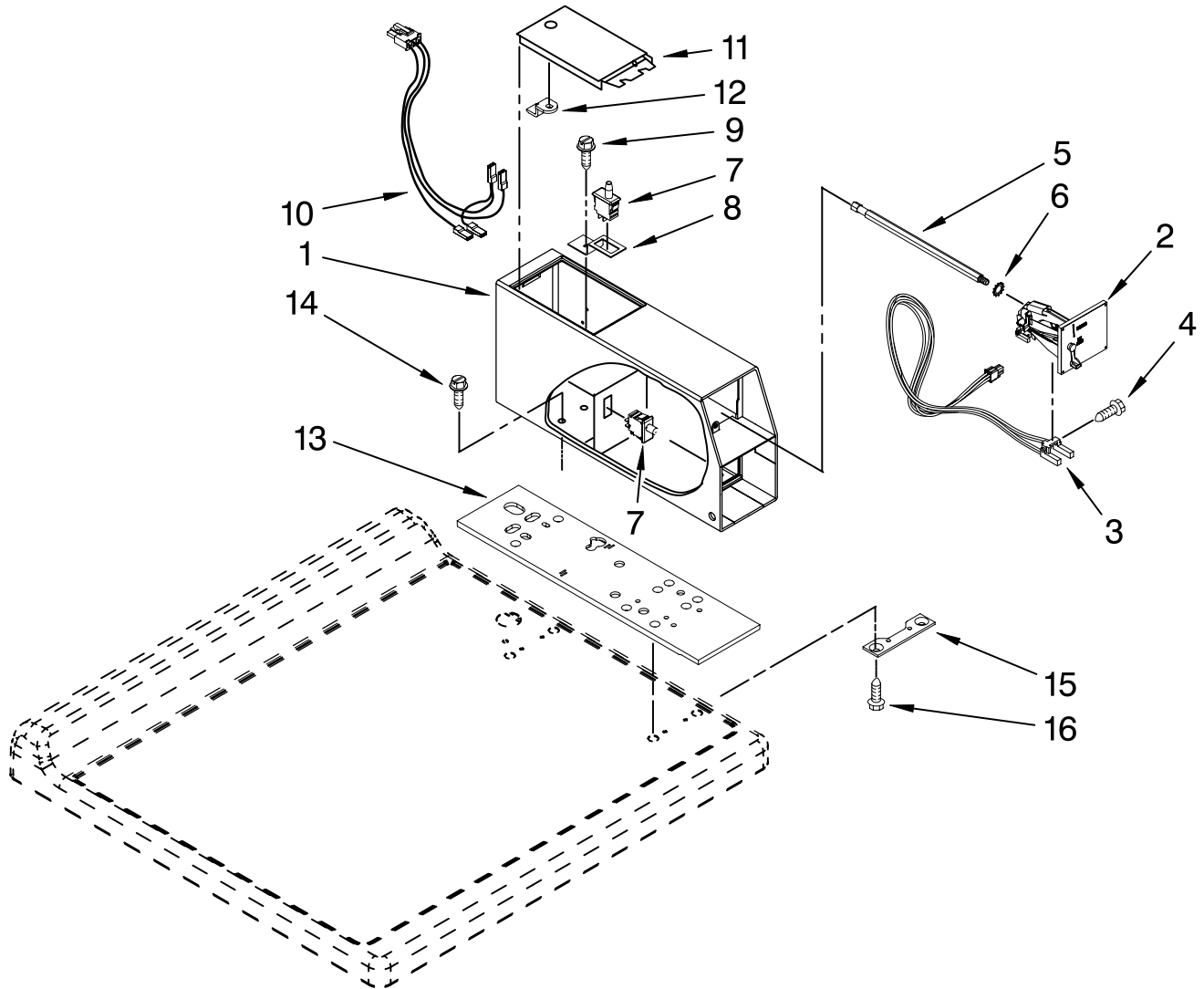
Illus. No.	Part No.	DESCRIPTION
10	W10189313	Insert
11	W10137396	Bracket, Console
12	W10137414	User Interface
13	489136	Screw, 3-24 X 3/8
14	W10137488	Clip, Console
15	W10139046	Nut 6-32
16	W10015090	Screw, 8-18 X 5/8
17	W10141556	Microcomputer, Machine Control

Illus. No.	Part No.	DESCRIPTION
18	3429563	Cable Tie
19	W10155150	Harness, Test
20	W10155149	Harness, Wiring (Console UIC)
21	W10131839	Transformer 120 To 22.5 VAC
22	8540329	Screw, 8-18 X 7/16
23	9781235	Nut, U-Type (2)
24	W10131119	Screw, 8-18 x 1/2

FOR ORDERING INFORMATION REFER TO PARTS PRICE LIST

METER CASE PARTS

For Model: MAH22PDAWW0
(White)



Illus. No.	Part No.	DESCRIPTION
1	W10171128	Meter Case
2	W10133242	Coin Drop Assembly
3	W10130178	Sensor Assembly, Coin Optic
4	W10142655	Screw, 6-20 x 1.00
5	W10137319	Bolt, Hex Bar (2)
6	W10068270	Washer (2)
7	W10131838	Switch - Vault & Service Door

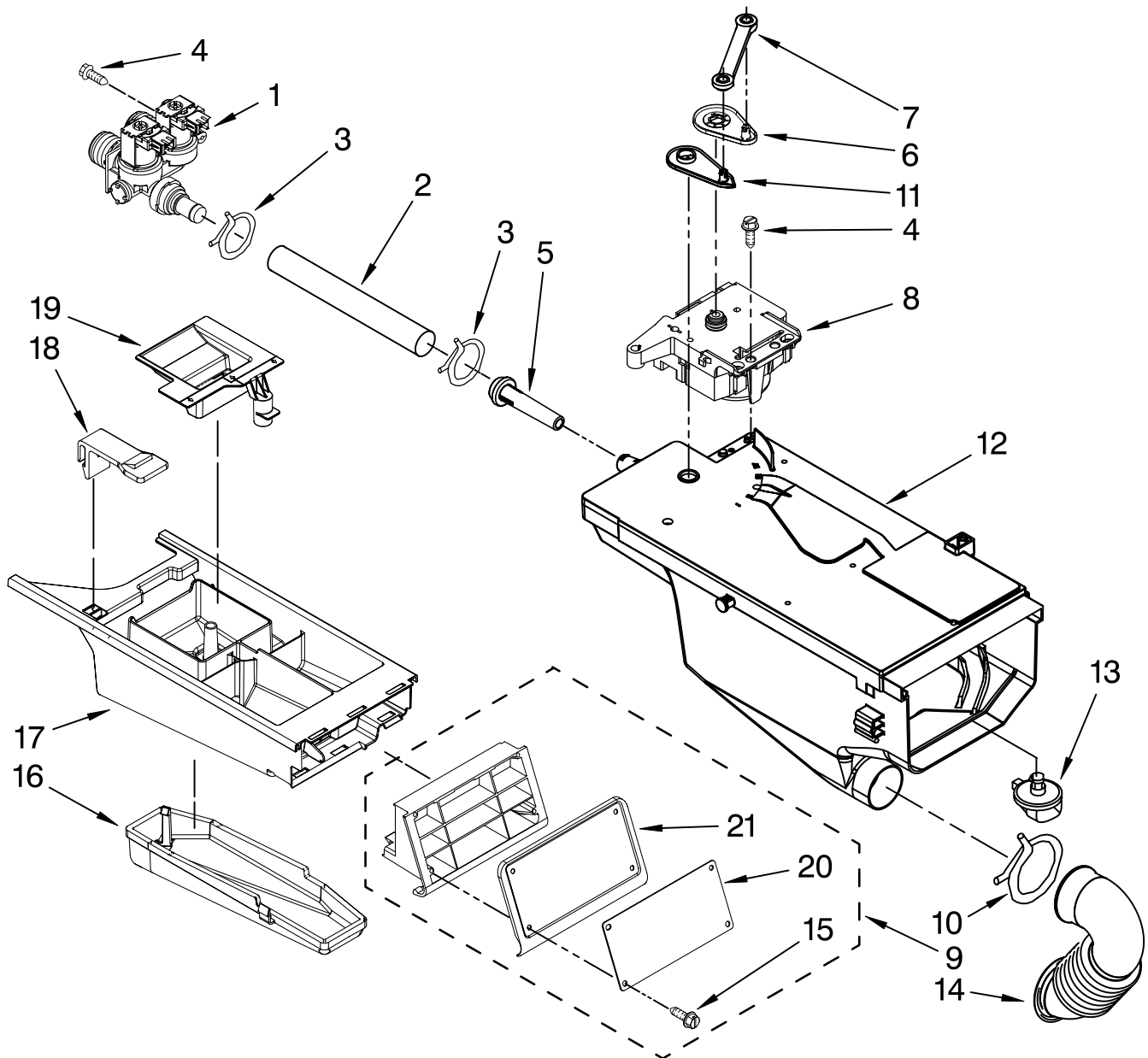
Illus. No.	Part No.	DESCRIPTION
8	W10133508	Bracket, Service Switch
9	W10139210	Screw, 8-18 x 5/16
10	W10139456	Wire Harness, Sensor Switch
11	3351136	Service Door Assembly

Illus. No.	Part No.	DESCRIPTION
12	W10145154	Cam - Lock
13	W10137448	Cushion, Meter Case
14	3349065	Screw, 5/16-24 x 1
15	3347825	Plate, Meter Case Mounting (2)
16	98445	Screw, 10-16 x 3/4

FOR ORDERING INFORMATION REFER TO PARTS PRICE LIST

DISPENSER PARTS

For Model: MAH22PDAWW0
(White)



Illus. No.	Part No.	DESCRIPTION
1	8540751	Valve, Inlet
2	8540065	Hose, Valve To Dispenser
3	370450	Clamp, Hose
4	8540282	Screw
5	8540042	Nozzle, Inlet
6	8540393	Cam, Actuator
7	8540394	Lever, Water Distribution
8	W10143587	Actuator

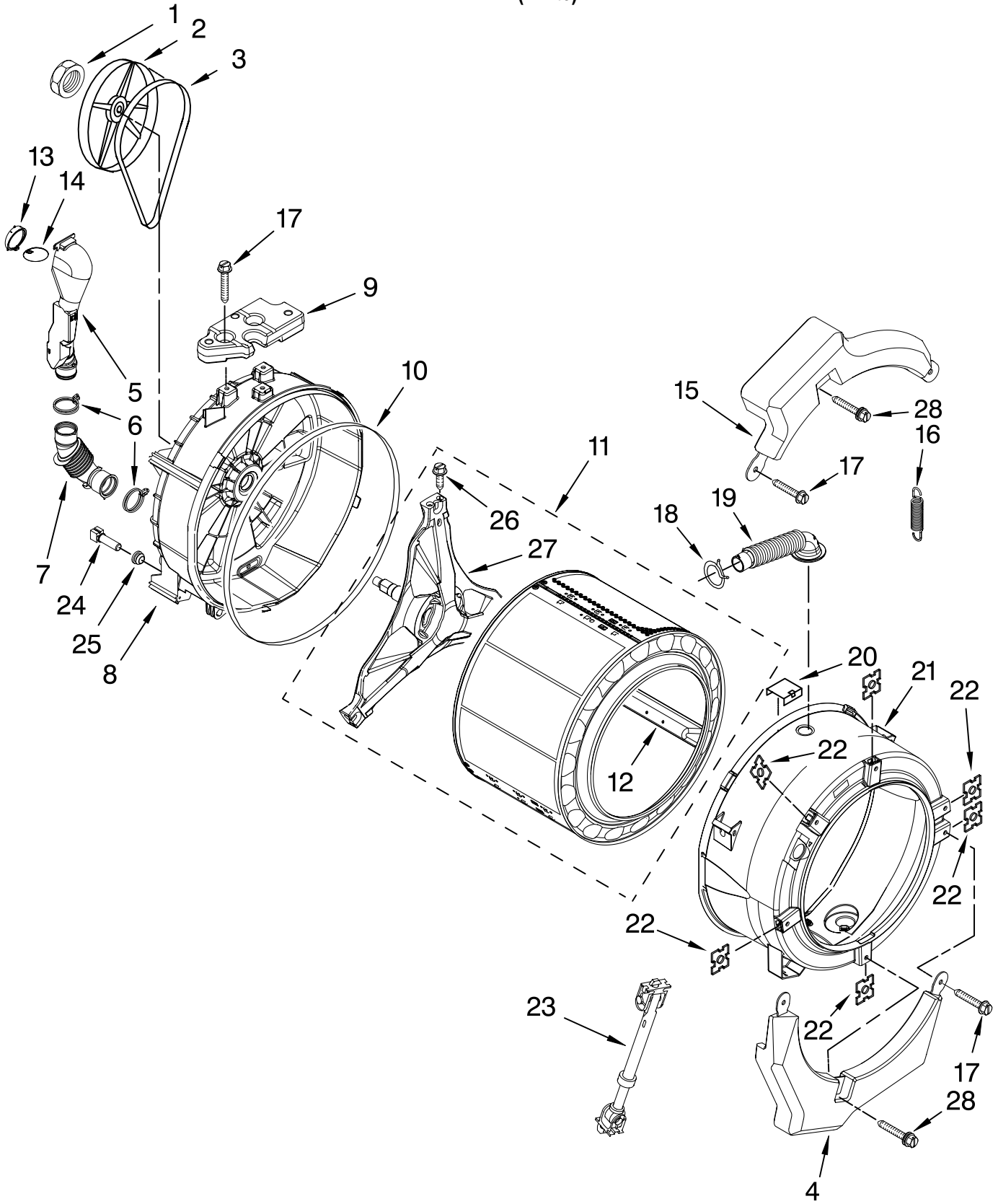
Illus. No.	Part No.	DESCRIPTION
9	W10137428	Handle Assembly, Drawer
10	8281276	Clamp, Hose
11	8540395	Connection, Lever
12	8540058	Dispenser
13	8540053	Nozzle, Distribution
14	8540063	Hose, Dispenser To Tub
15	W10137456	Screw, 8-18 X 1/2

Illus. No.	Part No.	DESCRIPTION
16	8540399	Cover, Detergent Drawer
17	8540402	Drawer, Detergent
18	W10137402	Hook, Drawer
19	8540429	Siphon, Bleach/Softener
20	W10137430	Facia / Overlay, Drawer
21	W10137460	Cover, Handle

FOR ORDERING INFORMATION REFER TO PARTS PRICE LIST

TUB AND BASKET PARTS

For Model: MAH22PDAWW0
(White)



FOR ORDERING INFORMATION REFER TO PARTS PRICE LIST

TUB AND BASKET PARTS

For Model: MAH22PDAWW0

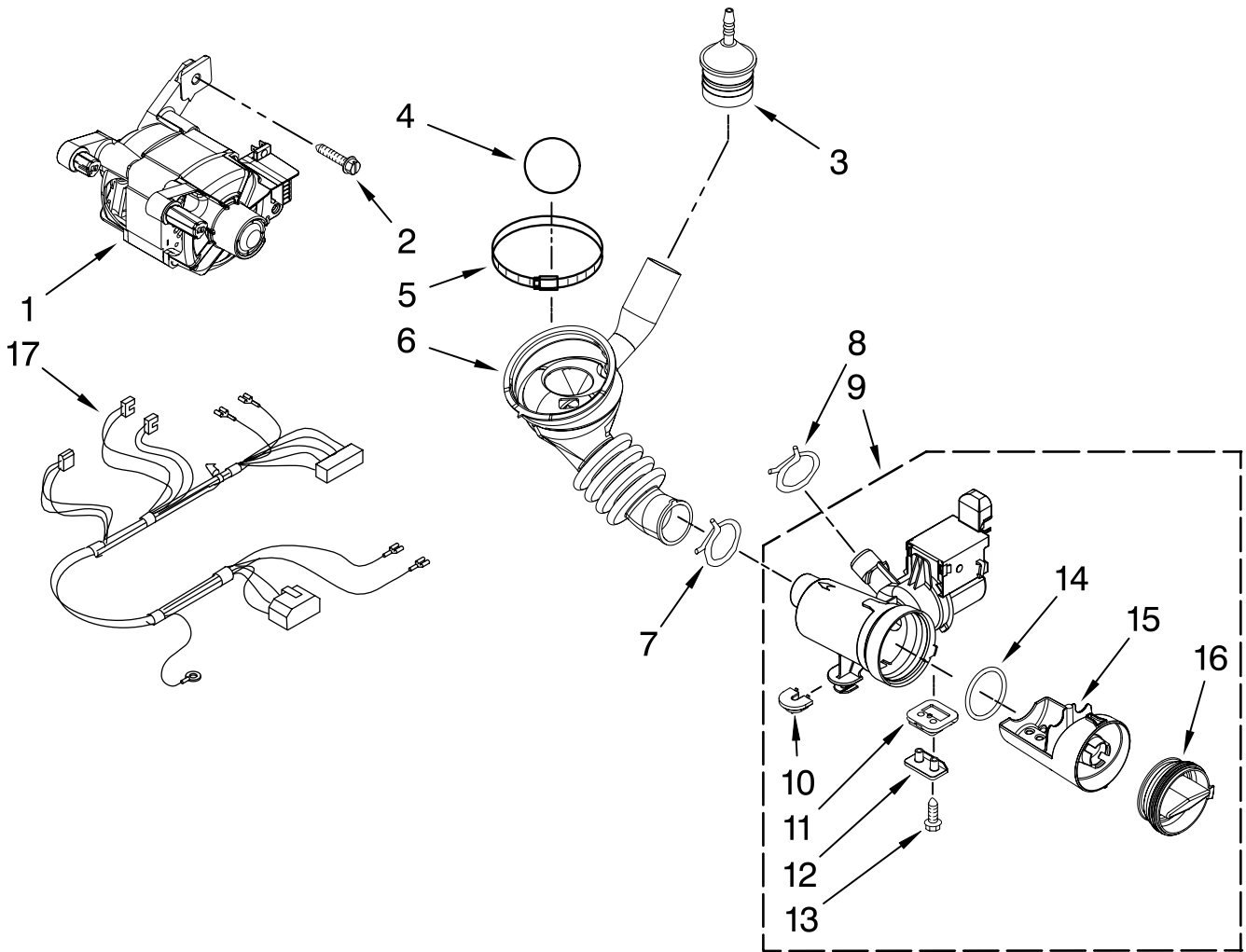
(White)

Illus. No.	Part No.	DESCRIPTION
1	8533999	Nut, Pulley
2	8540088C	Pulley
3	W10116215	Belt, Drive
4	W10151304	Counterweight, Front Lower
5	W10142720	Pipe, Ventilation
6	8540010	Clamp, Vent Hose
7	8540019	Hose, Exhaust
8	W10112658	Tub, Rear (Includes Items 10, 21 & 22)
9	8540602	Counterweight, Rear
10	8540090	Gasket, Tub
11	W10165321	Basket, Complete
12	W10118982	Baffle, Tub
13	W10142721	Connector – Ventilation
14	W10142722	Flap – Ventilation
15	W10151303	Counterweight, Front Upper
16	W10010360	Spring, Suspension
17	W10094780	Bolt, Counterweight Mtg.
18	3363365	Clamp, Hose
19	8540015	Hose, Exhaust
20	8540092	Clamp, Tub
21	W10112659	Tub, Front (Includes Items 8, 10 & 22)
22	8540072	Nut, Push-In
23	W10163171	Shock Absorber (3)
24	8540226	Negative Thermistor Control
25	8540766	Seal, Rubber
26	8540382	Screw
27	8540457	Crosspiece Assembly
28	W10174473	Bolt Assembly, Counterweight Center Hole

FOR ORDERING INFORMATION REFER TO PARTS PRICE LIST

PUMP AND MOTOR PARTS

For Model: MAH22PDAWW0
(White)



Illus. No.	Part No.	DESCRIPTION
1	W10140579	Motor, Drive
2	8540134	Bolt, Motor
3	8540180	Air Trap
4	8540013	Ball
5	8540008	Clamp
6	8540012	Hose, Tub to Pump
7	370448	Clamp, Hose

Illus. No.	Part No.	DESCRIPTION
8	356138	Clamp, Drain Hose
9	W10130913	Pump (Complete)
	8540094	Pump Motor Only (Not Illustrated)
10	W10191886	Foot, Rubber (Slider)
11	W10191880	Foot, Rubber (Lock)
12	W10190649	Cap, Lock Foot

Illus. No.	Part No.	DESCRIPTION
13	W10167905	Screw, 10-16 x 1.00 (2)
14	W10201457	Seal, Filter Cap
15	W10190647	Filter (Includes Items 14 & 16)
16	W10190648	Cap, Filter (Includes Items 14 & 15)
17	W10166995	Harness, Motor

FOR ORDERING INFORMATION REFER TO PARTS PRICE LIST

OPTIONAL PARTS (NOT INCLUDED)

For Model: MAH22PDAWW0
(White)

Illus. No.	Part No.	DESCRIPTION
-------------------	-----------------	--------------------

PAINT, TOUCH-UP (1/2oz.)

72017 White

PAINT, PRESSURIZED SPRAY (12 oz.)

350938 Primer, Gray
350930 White

PAINT, BULK (1 qt.)

799344 White (Uncut)

ACCESSORY PARTS

285863 Drain Extension
W10135699 Affresh
Odor Remover