

PARTS LIST

for

MAYTAG[®]

**COMMERCIAL
AUTOMATIC WASHER**

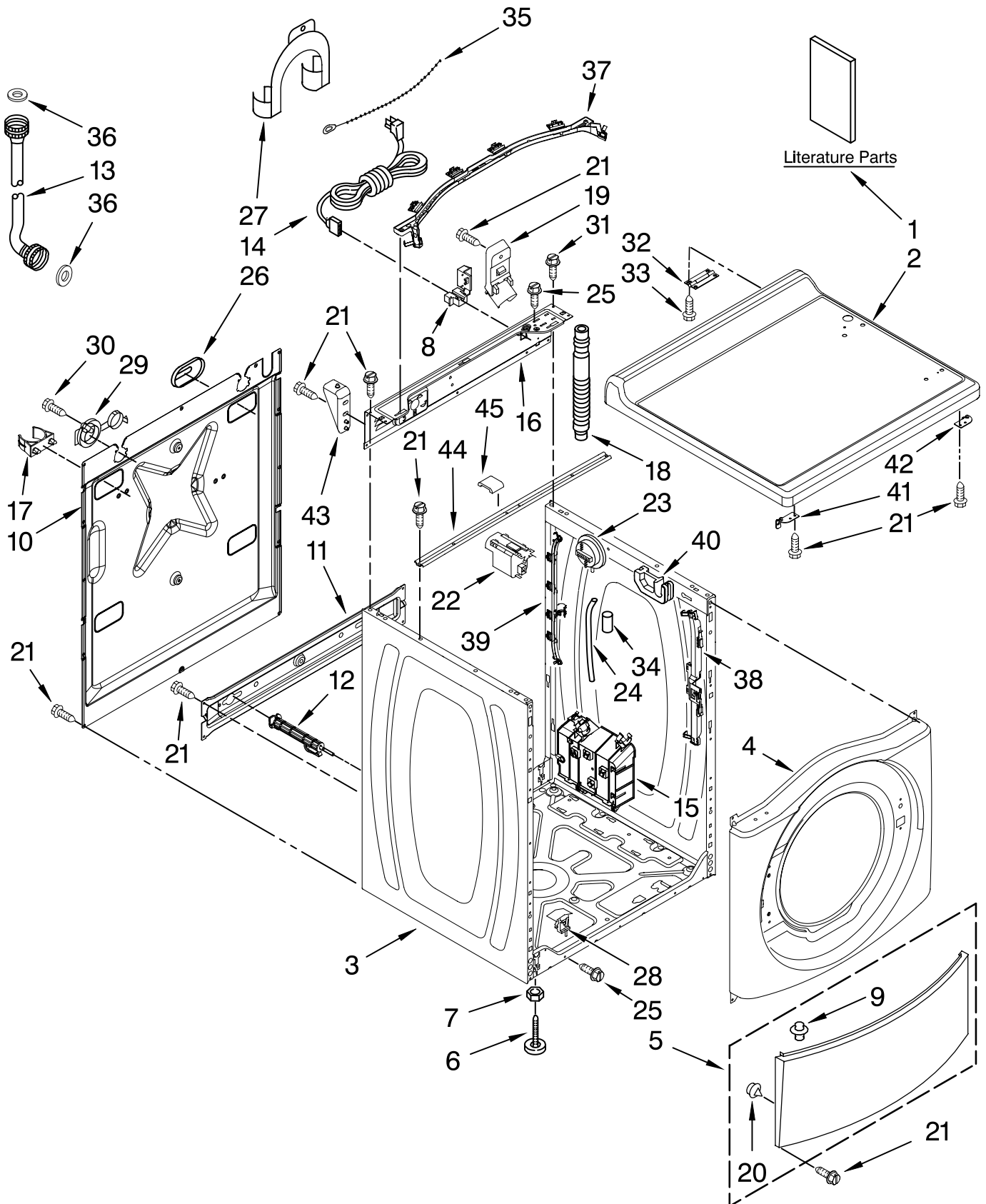
MODEL NO.

MAH22PDBXW0

TOP AND CABINET PARTS

For Model: MAH22PDBXW0

(White)



FOR ORDERING INFORMATION REFER TO PARTS PRICE LIST

TOP AND CABINET PARTS

For Model: MAH22PDBXW0

(White)

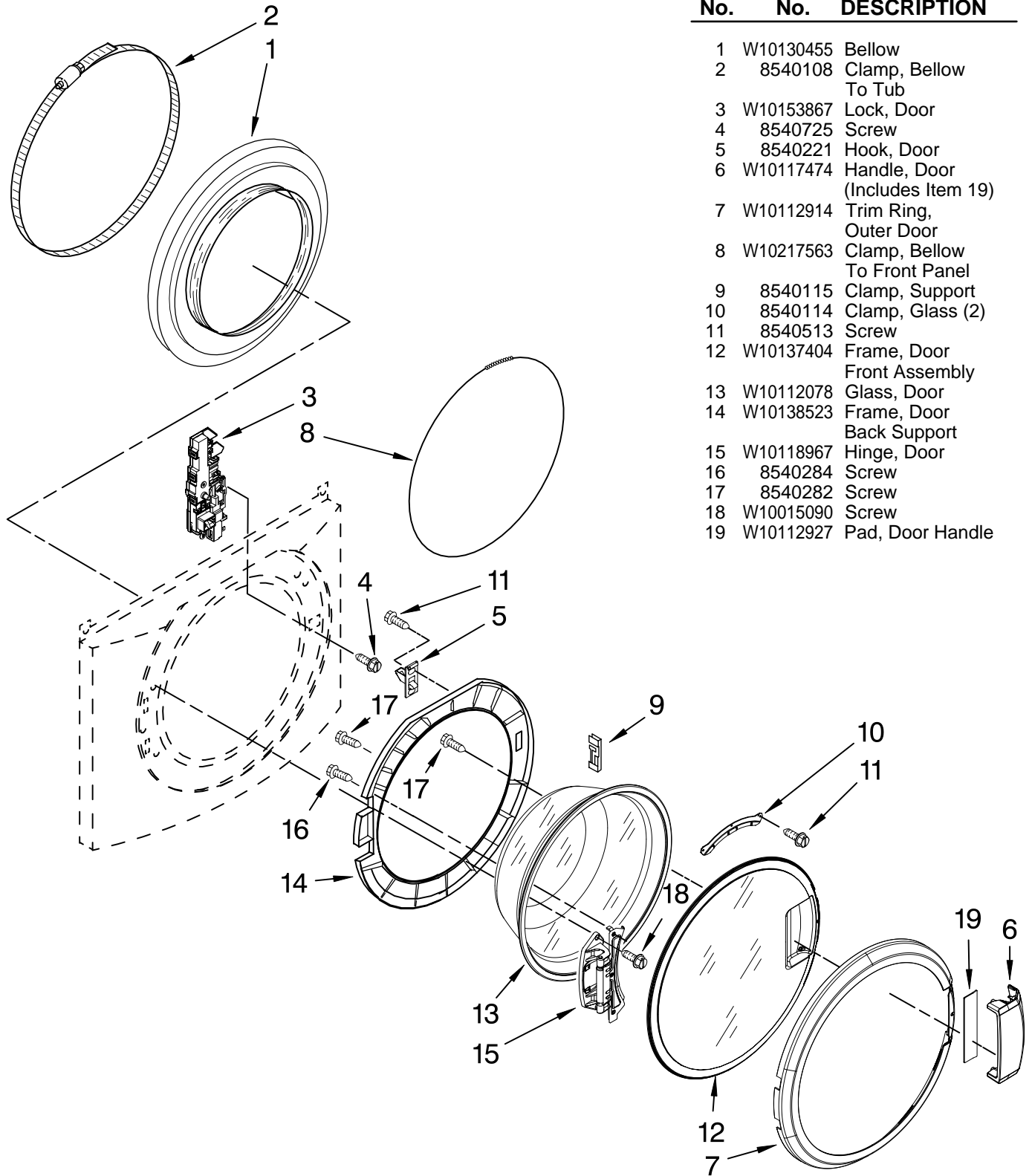
Illus. No.	Part No.	DESCRIPTION	Illus. No.	Part No.	DESCRIPTION	Illus. No.	Part No.	DESCRIPTION
1		Literature Parts	14	W10205500	Cord, Power	32	8565018	Hinge & Pin Assembly
	W10277179	Installation Instructions Tech Sheet	15	W10197864	Motor Control Unit	33	342055	Screw, 8-18 X 1/2
	W10273155	English	16	W10161694	Brace, Rear	34	2161302	Sleeve, Pressure Switch Hose
	W10273156	French	17	W10182936	Clamp, Tube Transportation	35	3347868	Cable Tie
	W10276477	Repair Parts List	18	W10114608	Hose, Drain	36	3976300	Washer, Water Inlet Hose (4) 1-1/16 x 5/8
2	W10137411	Top	19	8540607	Retainer, Hose Outlet	37	W10168548	Harness Channel, Top Rear
3	W10201831	Cabinet	20	238614	Bumper (2)	38	W10168546	Harness Channel, Side Front
4	W10112948	Panel, Front	21	W10015090	Screw, 8-18 x 5/8	39	W10168547	Harness Channel, Side Rear
5	8540813	Toe Panel	22	8540230	Filter, Interference	40	8540643	Bracket, Spring
6	W10245373	Foot, Leveling (4)	23	W10163980	Switch, Pressure	41	W10137445	Bracket - Top Panel, Left
7	3359452	Nut, Lock (4)	24	8540294	Hose, Pressure Switch	42	W10137444	Bracket - Top Panel, Right
8	W10110676	Strain Relief, Power Cord	25	8540479	Screw, Grounding	43	W10137398	Stop - Top Panel
9	8518891	Rivet	26	8540268	Cover, Transport	44	8540721	Brace, Top
10	8540582	Panel, Rear	27	8540021	U-Bend, Drain Hose	45	8283273	Damper, Brace (6)
11	W10189659	Brace, Transport	28	W10085220	Microswitch (2)			
12	8540199	Bolt, Shipping (4)	29	8540728	Sleeve, Cord Support (2)			
13	W10194208	Hose, Water Inlet Cold Water	30	8540727	Screw, 3 x 8 mm			
	8571378	Hot Water	31	8540329	Screw			

FOR ORDERING INFORMATION REFER TO PARTS PRICE LIST

DOOR AND LATCH PARTS

For Model: MAH22PDBXW0

(White)



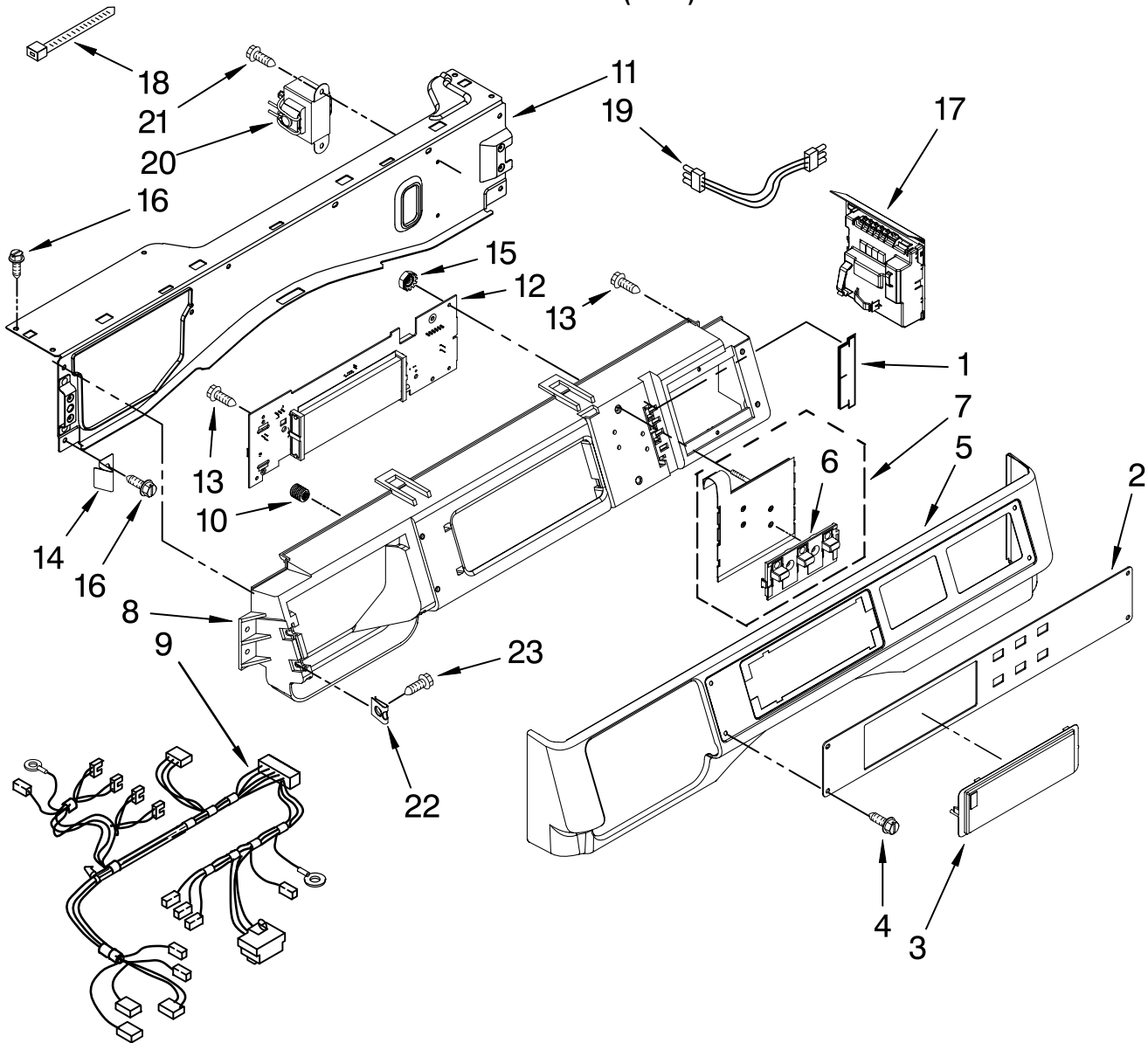
Illus. No.	Part No.	DESCRIPTION
1	W10130455	Bellow
2	8540108	Clamp, Bellow To Tub
3	W10153867	Lock, Door
4	8540725	Screw
5	8540221	Hook, Door
6	W10117474	Handle, Door (Includes Item 19)
7	W10112914	Trim Ring, Outer Door
8	W10217563	Clamp, Bellow To Front Panel
9	8540115	Clamp, Support
10	8540114	Clamp, Glass (2)
11	8540513	Screw
12	W10137404	Frame, Door Front Assembly
13	W10112078	Glass, Door
14	W10138523	Frame, Door Back Support
15	W10118967	Hinge, Door
16	8540284	Screw
17	8540282	Screw
18	W10015090	Screw
19	W10112927	Pad, Door Handle

FOR ORDERING INFORMATION REFER TO PARTS PRICE LIST

CONTROL PANEL PARTS

For Model: MAH22PDBXW0

(White)



Illus. No.	Part No.	DESCRIPTION
1	W10187276	Seal, Console
2	W10137436	Facia / Overlay
3	W10131114	Cover, Display
4	W10137457	Screw, 8-32 X 1/2
5	W10137458	Console, Outer
6	W10131113	Push Button (2)
7	W10135389	Push Button & Switch Assembly
8	W10137426	Console, Inner

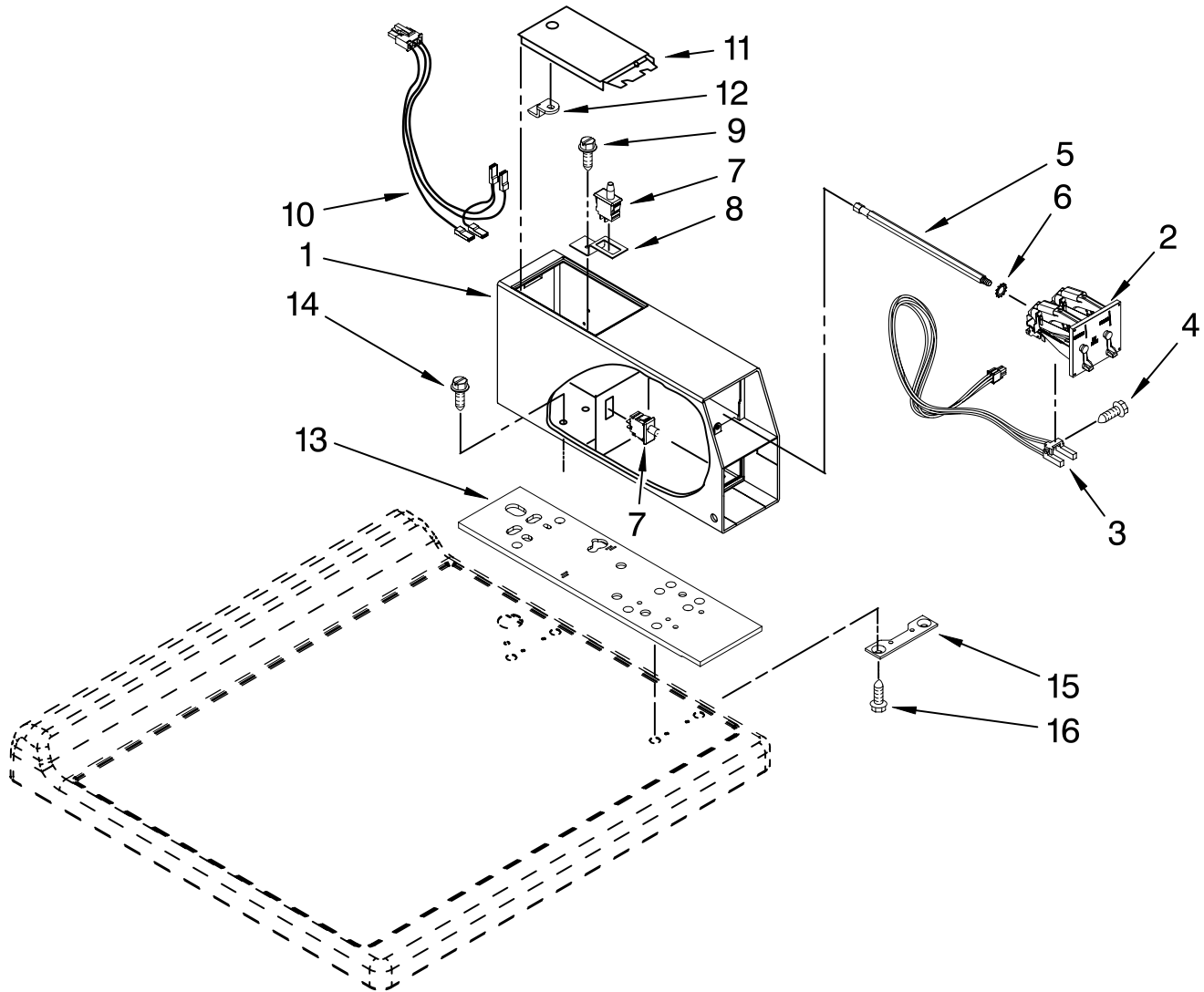
Illus. No.	Part No.	DESCRIPTION
9	W10153921	Harness, Wiring (Main)(Includes Items 37, 38 & 39 On Page 2)
10	W10189313	Insert
11	W10137396	Bracket, Console
12	W10166358	User Interface
13	489136	Screw, 3-24 X 3/8
14	W10137488	Clip, Console
15	W10139046	Nut 6-32
16	W10015090	Screw, 8-18 X 5/8

Illus. No.	Part No.	DESCRIPTION
17	W10269538	Microcomputer, Machine Control
18	3429563	Cable Tie
19	W10155149	Harness, Wiring (Console UIC)
20	W10131839	Transformer 120 To 22.5 VAC
21	8540329	Screw, 8-18 X 7/16
22	9781235	Nut, U-Type (2)
23	W10131119	Screw, 8-18 x 1/2

FOR ORDERING INFORMATION REFER TO PARTS PRICE LIST

METER CASE PARTS

For Model: MAH22PDBXW0
(White)



Illus. No.	Part No.	DESCRIPTION
1	W10171128	Meter Case
2	W10133245	Coin Drop Assembly
3	W10130178	Sensor Assembly, Coin Optic (2)
4	W10142655	Screw, 6.20 x 1.00 (2)
5	W10137319	Bolt, Hex Bar (2)
6	W10068270	Washer (2)

Illus. No.	Part No.	DESCRIPTION
7	W10131838	Switch – Vault & Service Door
8	W10133508	Bracket, Service Switch
9	W10139210	Screw, 8–18 x 5/16
10	W10139456	Wire Harness, Sensor Switch
11	3351136	Service Door Assembly

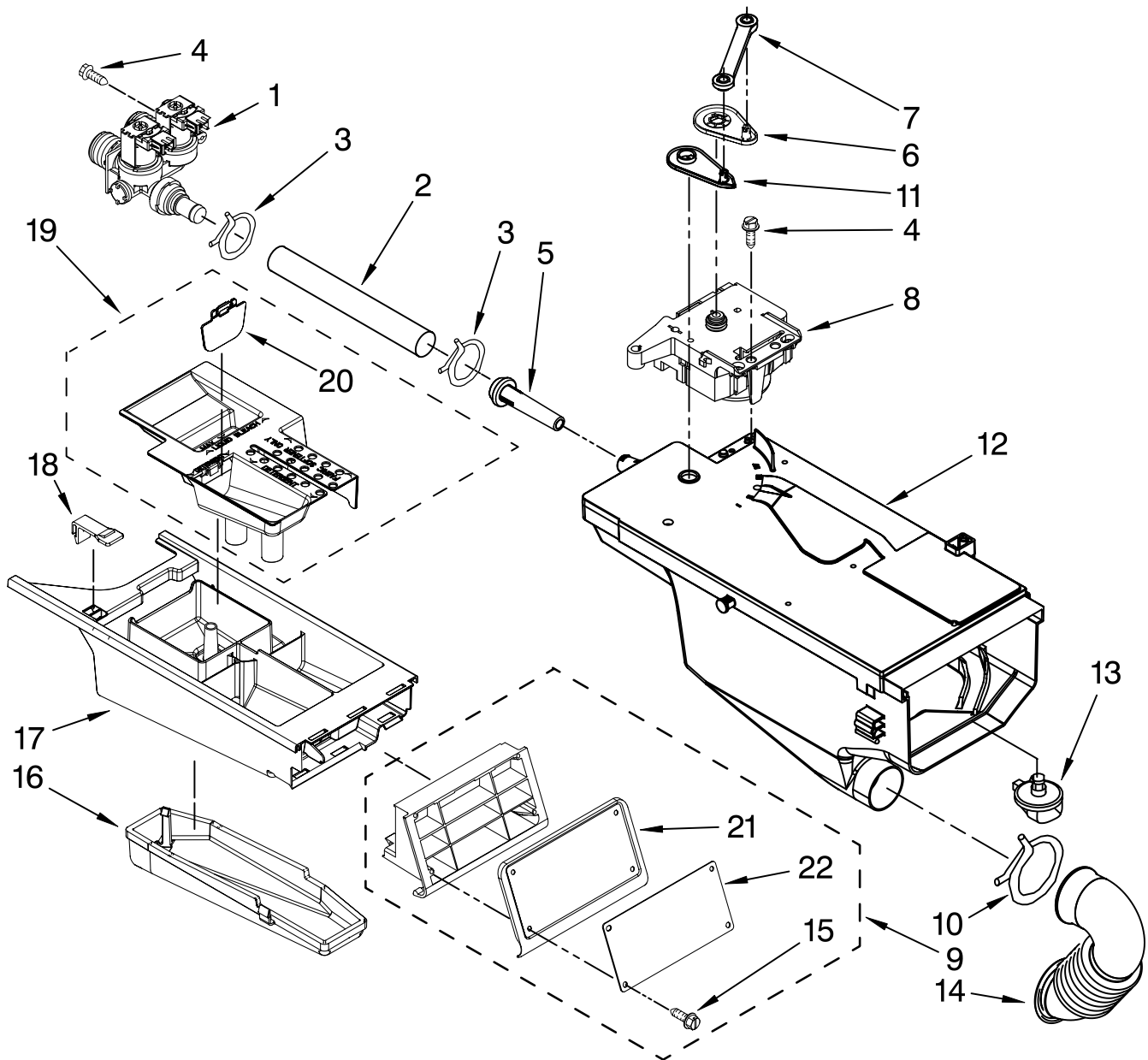
Illus. No.	Part No.	DESCRIPTION
12	W10145154	Cam – Lock
13	W10137448	Cushion, Meter Case
14	3349065	Screw, 5/16–24 x 1
15	3347825	Plate, Meter Case Mounting (2)
16	98445	Screw, 10–16 x 3/4

FOR ORDERING INFORMATION REFER TO PARTS PRICE LIST

DISPENSER PARTS

For Model: MAH22PDBXW0

(White)



Illus. No.	Part No.	DESCRIPTION
1	8540751	Valve, Inlet
2	8540065	Hose, Valve To Dispenser
3	370450	Clamp, Hose
4	8540282	Screw
5	8540042	Nozzle, Inlet
6	8540393	Cam, Actuator
7	8540394	Lever, Water Distribution
8	W10143586	Actuator

Illus. No.	Part No.	DESCRIPTION
9	W10137428	Handle Assembly, Drawer
10	8281276	Clamp, Hose
11	8540395	Connection, Lever
12	8540058	Dispenser
13	8540053	Nozzle, Distribution
14	8540063	Hose, Dispenser To Tub
15	W10137456	Screw, 8-18 X 1/2
16	8540399	Cover, Detergent Drawer

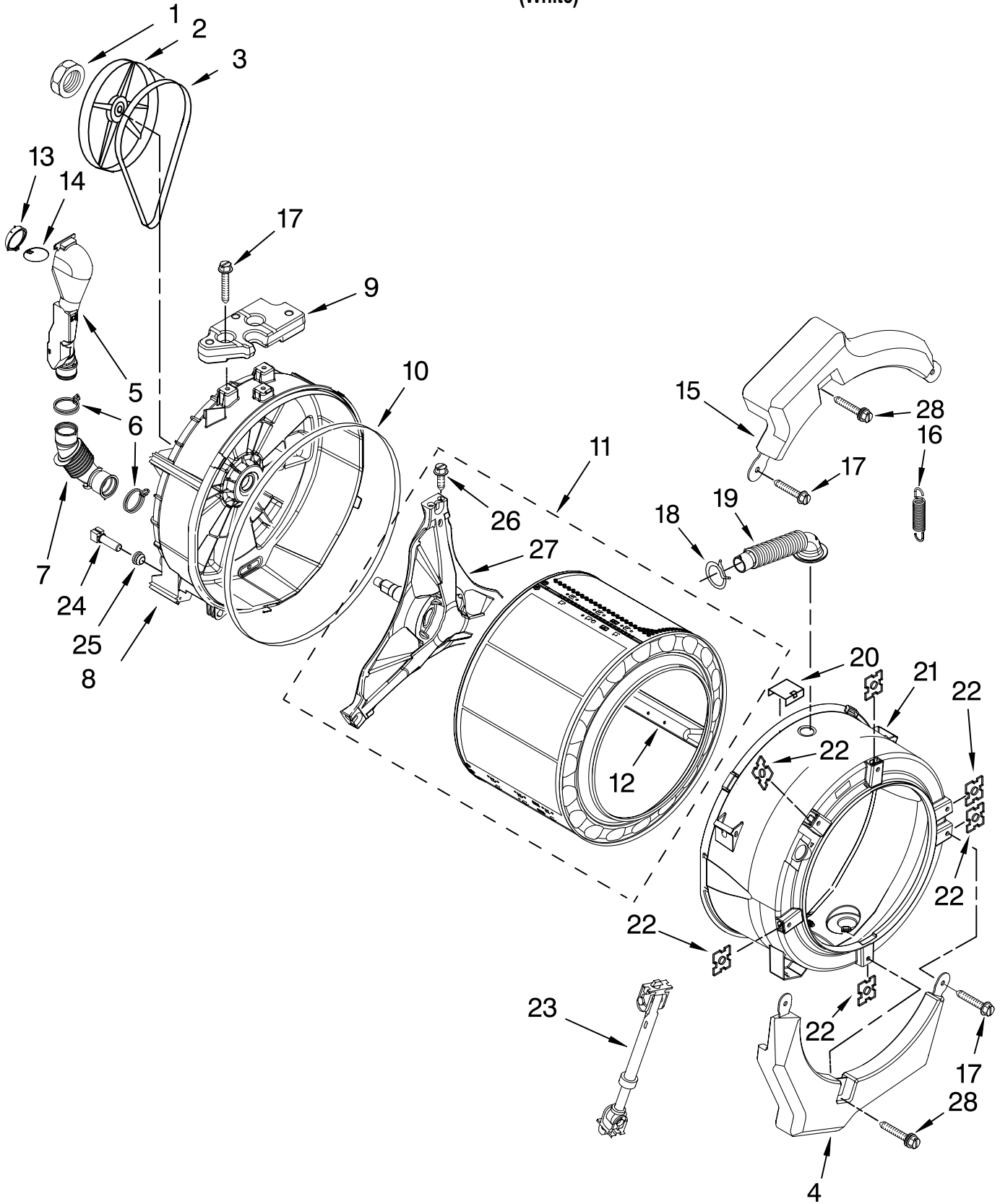
Illus. No.	Part No.	DESCRIPTION
17	8540402	Drawer, Detergent
18	W10137402	Hook, Drawer
19	W10277537	Siphon, Bleach/Softener
20	W10276474	Door, Living Hinge
21	W10137460	Cover, Handle
22	W10137430	Facia/Overlay, Drawer

FOR ORDERING INFORMATION REFER TO PARTS PRICE LIST

TUB AND BASKET PARTS

For Model: MAH22PDBXW0

(White)



FOR ORDERING INFORMATION REFER TO PARTS PRICE LIST

TUB AND BASKET PARTS

For Model: MAH22PDBXW0

(White)

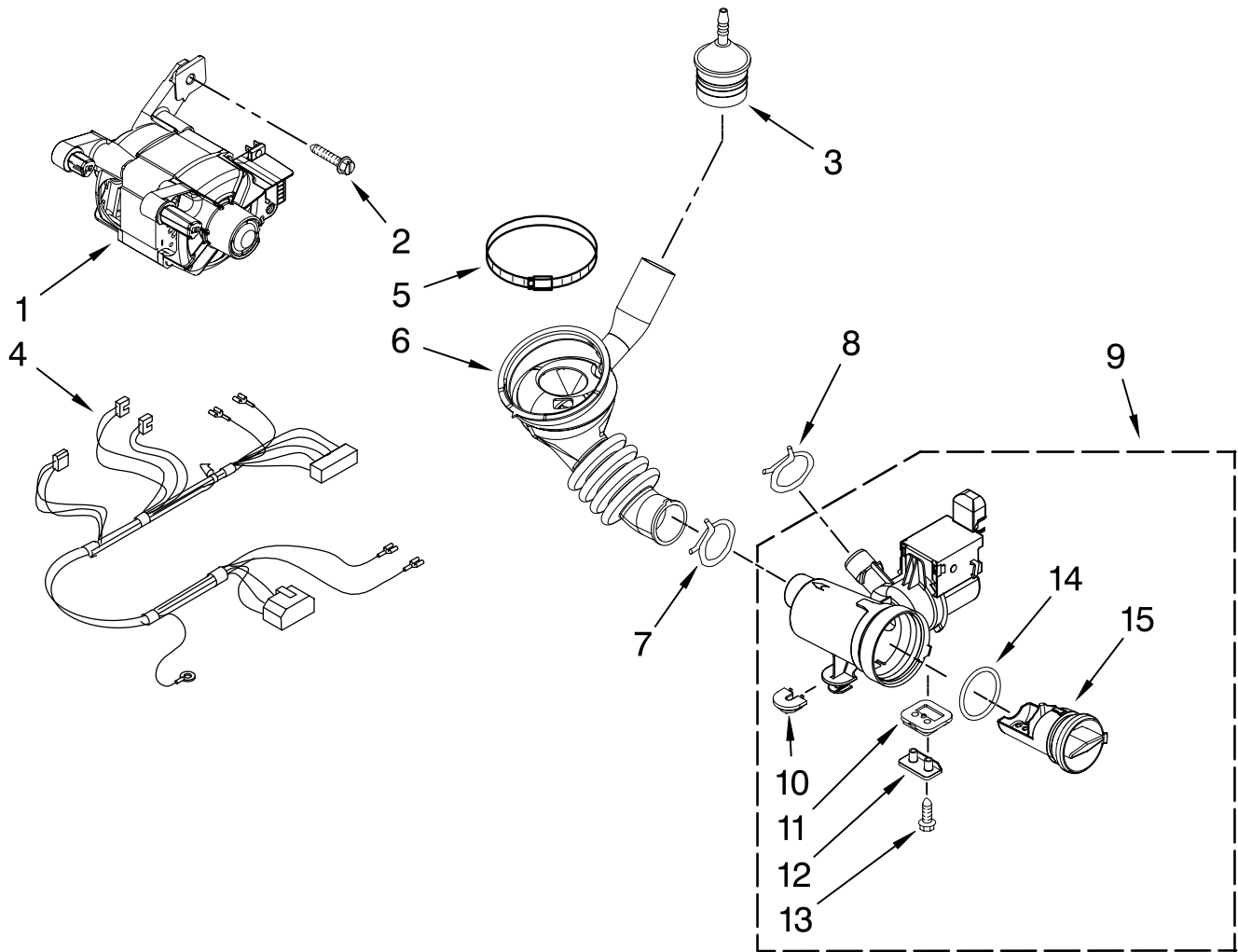
Illus. No.	Part No.	DESCRIPTION
1	8533999	Nut, Pulley
2	8540088C	Pulley
3	W10260319	Belt, Drive
4	W10151304	Counterweight, Front Lower
5	W10142720	Pipe, Ventilation
6	8540010	Clamp, Vent Hose
7	8540019	Hose, Exhaust
8	W10254152	Tub, Rear (Includes Items 10 & 22)
9	8540602	Counterweight, Rear
10	8540090	Gasket, Tub
11	W10165321	Basket, Complete
12	W10118982	Baffle, Tub
13	W10142721	Connector – Ventilation
14	W10142722	Flap – Ventilation
15	W10151303	Counterweight, Front Upper
16	W10010360	Spring, Suspension
17	W10094780	Bolt, Counterweight Mtg.
18	3363365	Clamp, Hose
19	8540015	Hose, Exhaust
20	8540092	Clamp, Tub
21	W10251648	Tub, Front (Includes Items 10 & 22)
22	8540072	Nut, Push-In
23	W10159465	Shock Absorber (3)
24	8540226	Negative Thermistor Control
25	8540766	Seal, Rubber
26	8540382	Screw
27	W10202464	Crosspiece Assembly
28	W10174473	Bolt Assembly Counterweight Center Hole

FOR ORDERING INFORMATION REFER TO PARTS PRICE LIST

PUMP AND MOTOR PARTS

For Model: MAH22PDBXW0

(White)



Illus. No.	Part No.	DESCRIPTION
1	W10140579	Motor, Drive
2	8540134	Bolt, Motor
3	8540180	Air Trap
4	W10166995	Harness, Motor
5	8540008	Clamp
6	8540012	Hose, Tub to Pump

Illus. No.	Part No.	DESCRIPTION
7	370448	Clamp, Hose
8	356138	Clamp, Drain Hose
9	W10130913	Pump (Complete)
	8540094	Pump Motor Only (Not Illustrated)
10	W10034820	Foot, Rubber (Slider)

Illus. No.	Part No.	DESCRIPTION
11	W10034830	Foot, Rubber (Lock)
12	8540033	Cap, Lock Foot
13	8533964	Screw, 10-16 x 1.25 (2)
14	8540025	Seal, Filter Cap
15	8540996	Filter Assembly (Includes Item 14)

FOR ORDERING INFORMATION REFER TO PARTS PRICE LIST

OPTIONAL PARTS (NOT INCLUDED)

For Model: MAH22PDBXW0

(White)

Illus. No.	Part No.	DESCRIPTION
-------------------	-----------------	--------------------

PAINT, TOUCH-UP (1/2oz.)

72017 White

PAINT, PRESSURIZED SPRAY (12 oz.)

350938 Primer, Gray
350930 White

PAINT, BULK (1 qt.)

799344 White (Uncut)

ACCESSORY PARTS

285863 Drain Extension
W10135699 Affresh
Odor Remover