

PARTS LIST

for

**MAYTAG<sup>®</sup>**

**COMMERCIAL  
AUTOMATIC WASHER**

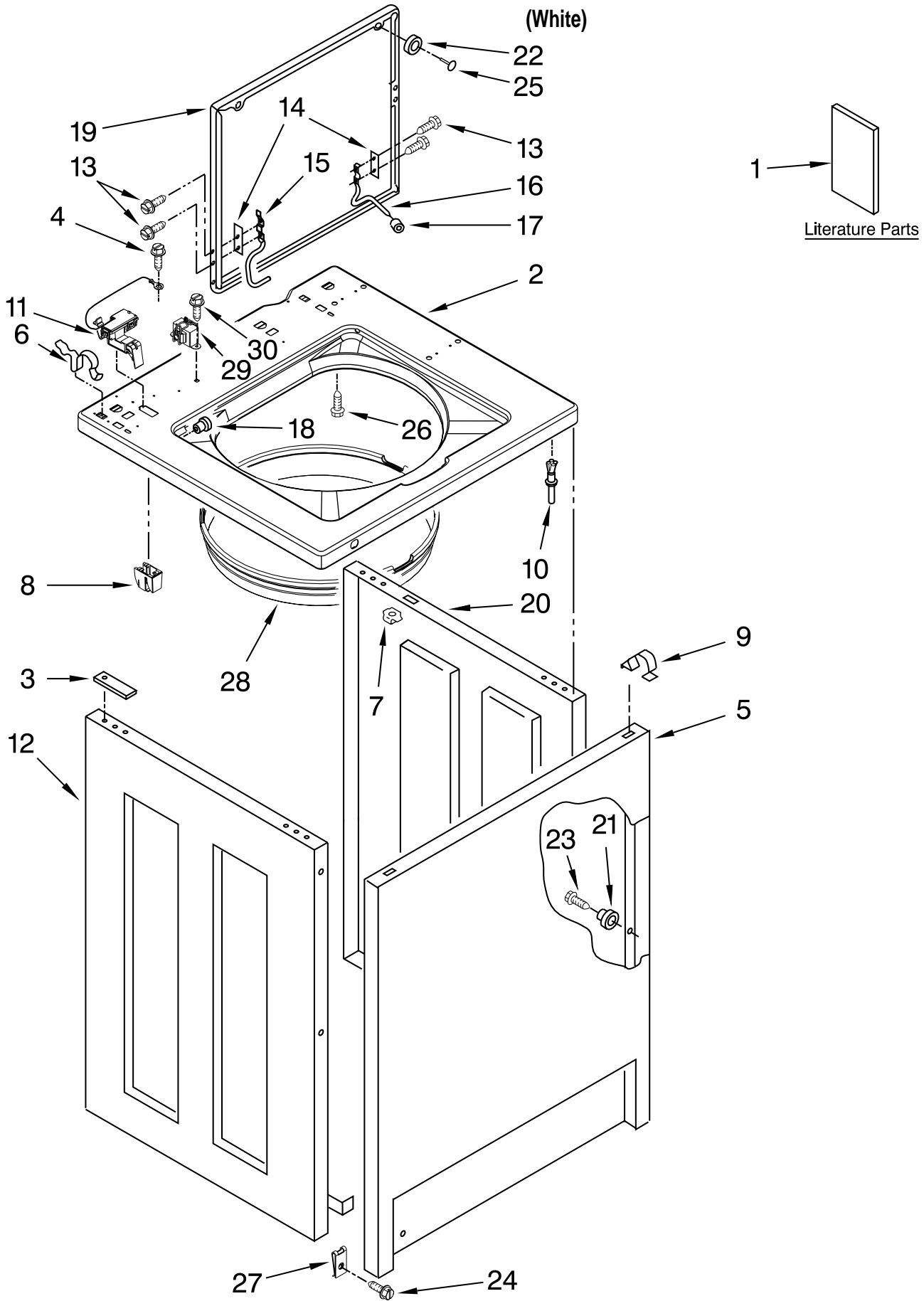
**MODEL NO.(S)**

**MAT14PDAGW0**

# TOP AND CABINET PARTS

For Model: MAT14PDAGW0

(White)



FOR ORDERING INFORMATION REFER TO PARTS PRICE LIST

# TOP AND CABINET PARTS

For Model: MAT14PDAGW0

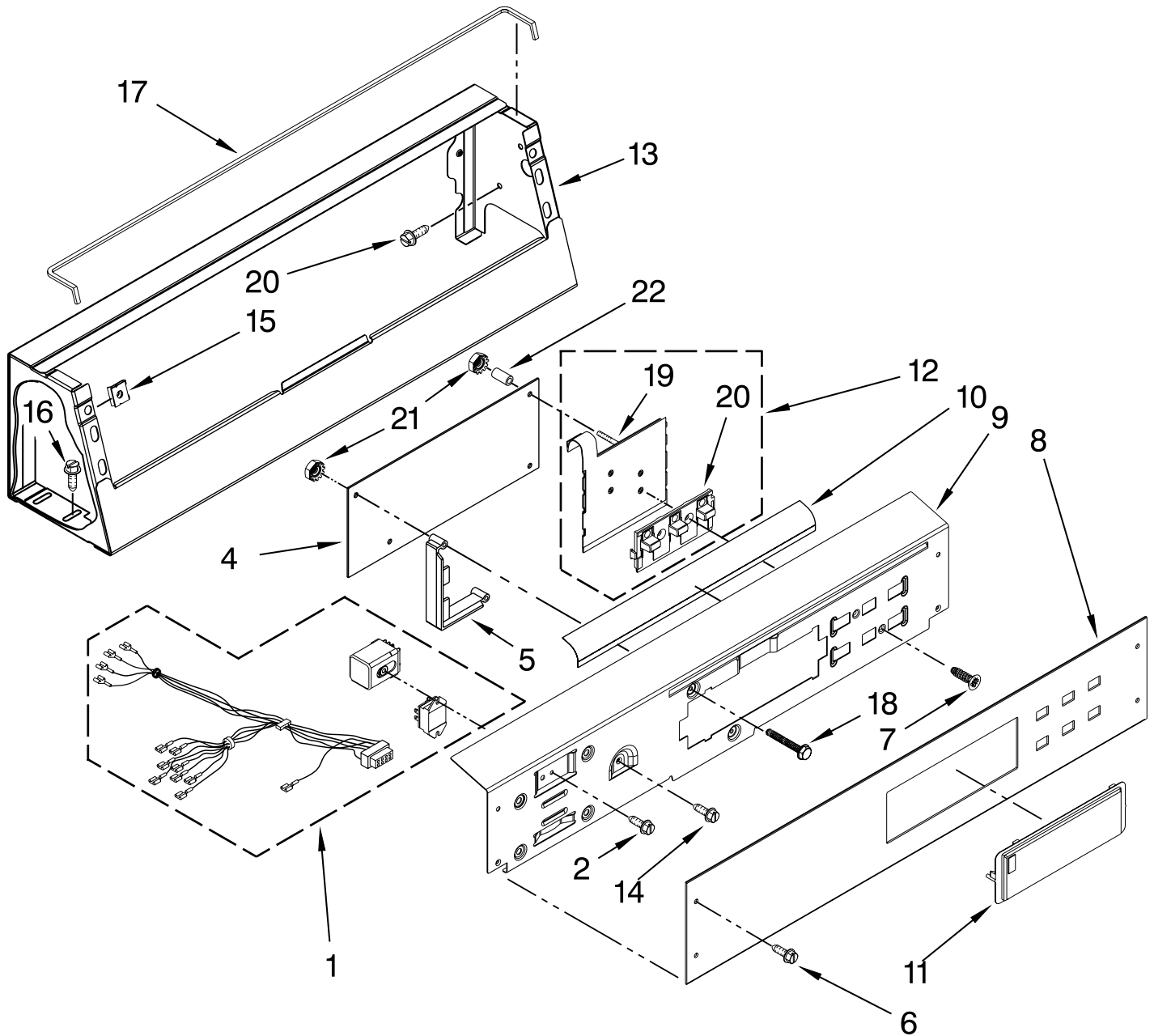
(White)

<b>Illus. No.</b>	<b>Part No.</b>	<b>DESCRIPTION</b>
1		Literature Parts Installation Instructions W10045627 English W10409430 Wiring Diagram
2	W10201073	Top
3	3353950	Spacer, Cabinet To Top (4)
4	3351614	Screw, 10-24 X 3/8
5	3358500	Panel, Front
6	62780	Clip, Top & Cabinet & Rear Panel (2)
7	90406	Cage Nut
8	W10180691	Shield, Lid Switch
9	18776	Lock (2)
10	3353949	Pin, Locator (2)
11	W10237162	Switch, Lid
12	3976382	Panel L.H.
13	W10119828	Screw, Lid Hinge Mounting (4)
14	21097	Pad, Lid Hinge (2)
15	8559336	Hinge, Lid (L.H.)
16	54583	Hinge, Lid (R.H.)
17	19119	Bumper, Lid Hinge
18	21258	Bearing, Lid Hinge (2)
19	W10171146	Lid
20	3976380	Panel R.H.
21	3353812	Locator (4)
22	356908	Bumper, Lid
23	3400804	Screw (4)
24	3400077	Screw, 10-16 X 1/2
25	356907	Rivet, Plastic
26	3353993	Screw 10-16 X .690
27	W10004930	Clip, U-Bend (2)
28	8271956	Shield Assembly
29	W10205520	Transformer, 240 to 22.5 VAC
30	90767	Screw, 8-18 x 1/2

# CONTROL PANEL PARTS

For Model: MAT14PDAGW0

(White)



Illus. No.	Part No.	DESCRIPTION
1	W10337495	Harness, Console Relays
2	W10142650	Screw, 6-32 x .490
4	W10130701	Control Board
5	W10161568	Shield, Probing
6	W10131119	Screw, 8-18 X 1/2
7	W10140652	Screw, 6-20 X 1/2
8	W10135334	Facia / Overlay

Illus. No.	Part No.	DESCRIPTION
9	W10124210	Bracket, Control
10	W10133515	Deflector
11	W10131114	Display Cover
12	W10135389	Push Button & Switch Assembly
13	W10205153	Console (Includes Item 17)
14	W10139210	Screw, 8-18 X 5/16
15	W10131123	Nut, #8 U Type

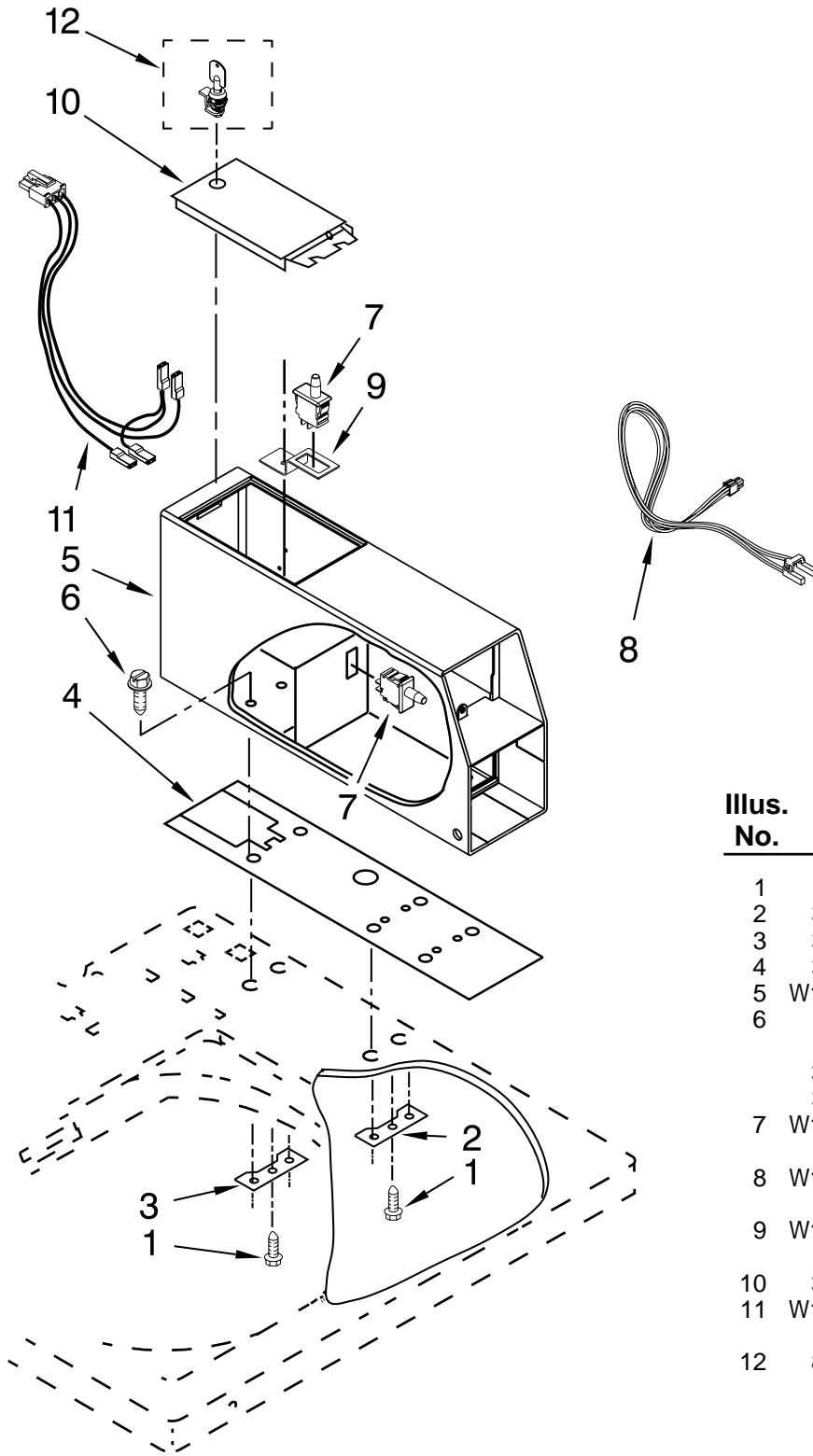
Illus. No.	Part No.	DESCRIPTION
16	3390631	Screw, 10-16 X 3/8
17	W10157932	Foam Seal
18	W10137322	Screw, 6-32 X 1.00
19	W10135255	Membrane Switch & Backer Plate Assembly
20	W10131113	Push Button
21	W10139046	Nut 6-32
22	W10133514	Spacer

FOR ORDERING INFORMATION REFER TO PARTS PRICE LIST

# METER CASE PARTS

For Model: MAT14PDAGW0

(White)



Illus. No.	Part No.	DESCRIPTION
1	98445	Screw, 10-16 X 3/4
2	3347825	Plate, Mounting
3	3353813	Plate, Mounting
4	3954812	Cushion, Case
5	W10136645	Meter Case
6		Bolt, Meter Case Mounting
7	3353994	5/16-18 X 2 1/2
7	3349065	5/16-24 X 1.00 (3)
7	W10131838	Switch-Vault & Service Door
8	W10444469	Coin Optic, Sensor Assembly
9	W10133508	Bracket, Service Switch
10	3351136	Door, Service
11	W10211244	Wire Harness, Service Switch
12	8316526	Service Door Lock

FOR ORDERING INFORMATION REFER TO PARTS PRICE LIST



# REAR PANEL PARTS

For Model: MAT14PDAGW0

(White)

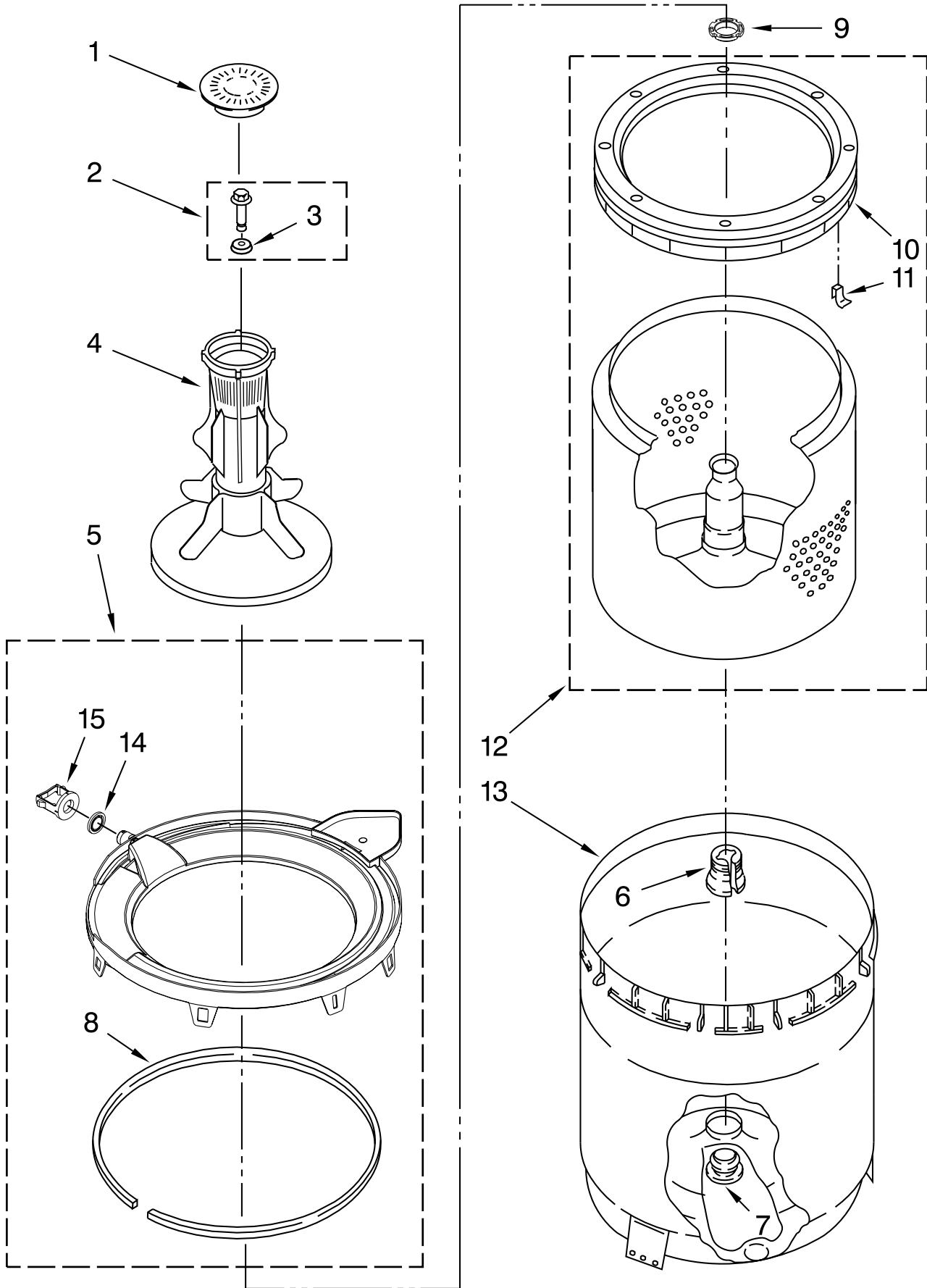
Illus. No.	Part No.	DESCRIPTION	Illus. No.	Part No.	DESCRIPTION	Illus. No.	Part No.	DESCRIPTION
1	W10242307	Washer, Water Inlet Hose (4) (1-1/16 x 5/8)	8	8559337	Strain Relief, Power Cord To Rear Panel	19	W10142630	Clamp, Hose
2		Hose, Water Inlet (2)	9	W10337493	Harness, Wiring	20	8519200	Support, Rear Panel
	3949383	Blue Coupler	10	8055003	Clip, Harness & Pressure Hose	21	3976395	Clamp, Hose
	3949382	Red Coupler	11	8541649	Panel, Rear	22	3354204	Pad, Rear Panel
3	9740848	Screw, 8-18 X 1/2	12	W10444468	Valve, Water Mixing	23	W10358151	Drain Hose Assy. (Includes Item 21)
4	62863	Screw, 10-16 X 3/8	13	8314879	Shield, Inlet Valve	24	W10112110	Clamp, Hose
5	8541624	Plate, Mixing Valve	14	W10156124	Clamp, Hose	25	W10141216	Hose, Discharge Gooseneck
6	3351614	Screw, 10-24 X 3/8	15	W10114765	Hose, Fresh Fill	26	389379	Retainer, Side To Feature Panel (2)
7	W10162486	Cord, Power (Parts Not Shown)	16	W10151157	Clamp, Hose	27	W10133269	Bracket, Pressure Switch
	W10153836	10A Cord Lock	17	W10094820	Clamp, Hose	28	W10414159	Pressure Switch Triple-Level
	W10223804	Austrailian	18	W10116973	Hose, Pump To Tub (Includes Item 17)	29	8055306	Check Valve, Duck Bill
	W10223809	European						
	W10223807	British						

FOR ORDERING INFORMATION REFER TO PARTS PRICE LIST

# AGITATOR, BASKET AND TUB PARTS

For Model: MAT14PDAGW0

(White)



FOR ORDERING INFORMATION REFER TO PARTS PRICE LIST



# AGITATOR, BASKET AND TUB PARTS

For Model: MAT14PDAGW0

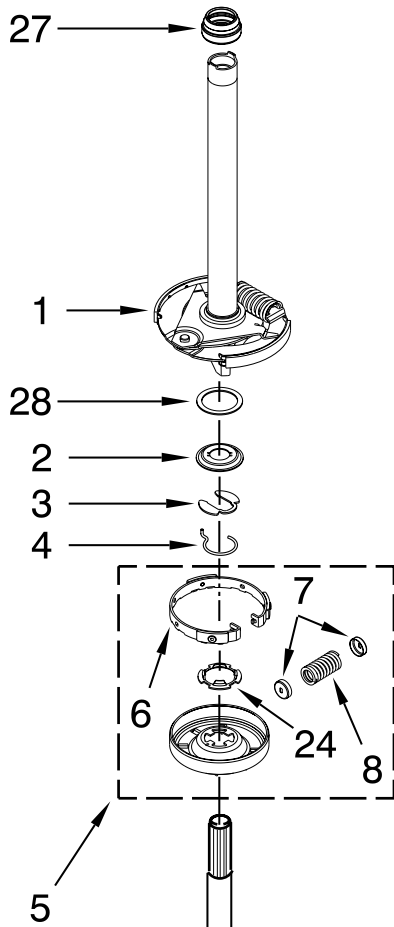
(White)

<b>Illus. No.</b>	<b>Part No.</b>	<b>DESCRIPTION</b>
1	W10131111	Cap, Agitator
2	W10003790	Screw & Washer Assembly
3	3949550	Washer
4	W10131112	Agitator
5	W10114776	Tub Ring
6	389140	Block, Drive
7	383727	Gasket, Centerpost
8	3359586	Gasket, Tub Ring
9	21366	Nut, Spanner
10	3956205	Balance Ring (Includes Item 11)
11	8519815	Clip, Balance Ring (8)
12	8545860	Basket & Balance Ring
13	W10135424	Tub
14	3369375	Wafer, Check Valve
15	8055316	Retainer, Check Valve

# BRAKE, CLUTCH, GEARCASE, MOTOR AND PUMP PARTS

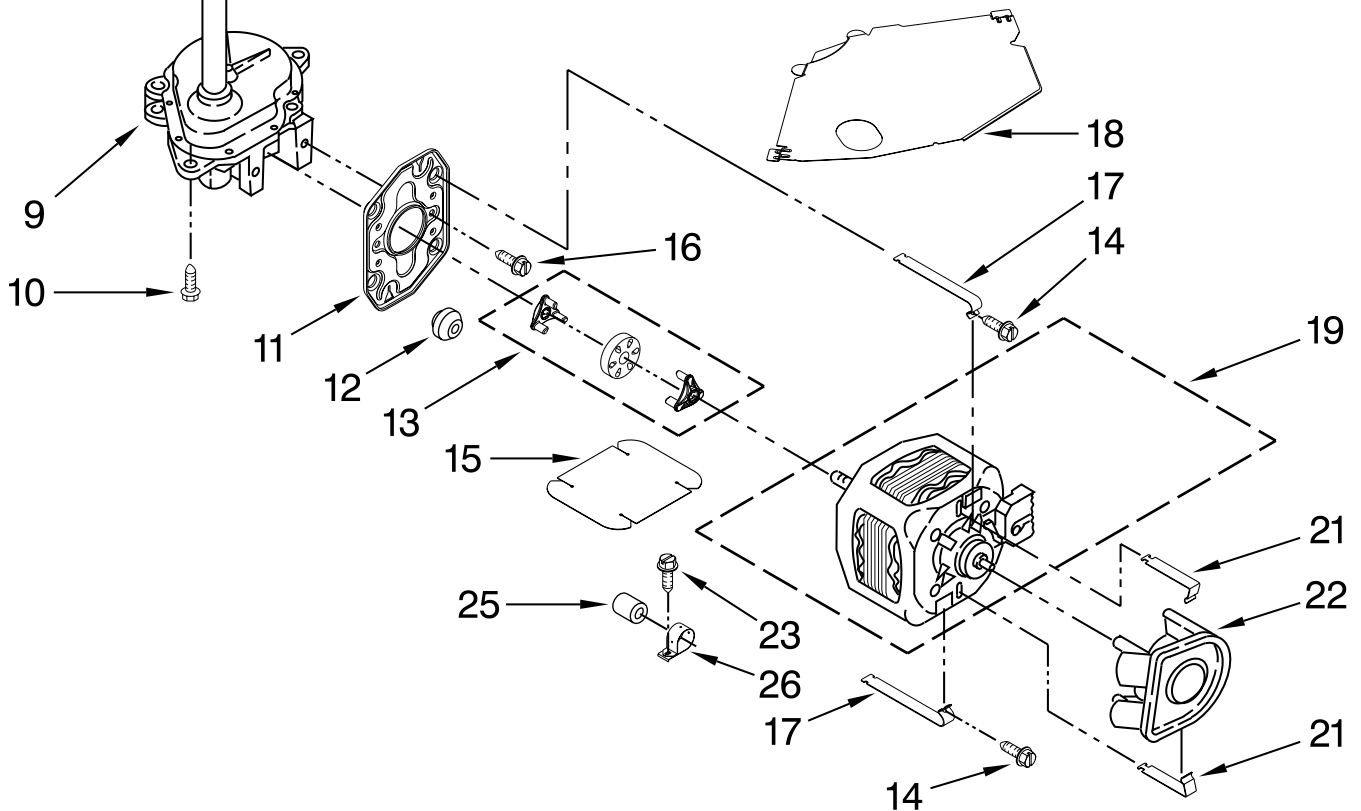
For Model: MAT14PDAGW0

(White)



Illus. No.	Part No.	DESCRIPTION
1	W10180686	Brake & Drive Tube (Complete) (Refer to Page 12 For Further Breakdown)
2	63292	Washer, Spin Tube Thrust
3	W10080230	Ring, Spin Tube Support
4	63283	Ring, Retainer
5	W10135399	Clutch (Complete)
6	W10118761	Band & Lining Assembly
7	62646	Cap, Clutch Spring (2)
8	8559387	Spring & Damper Assembly
9	W10140302	Gearcase (Complete) (Refer To Page 13 For Further Breakdown)
10	3357334	Screw, Gearcase To Base (3)

Illus. No.	Part No.	DESCRIPTION
11	62611	Plate, Motor Mount To Gearcase
12	62691	Grommet, Motor (4)
13	3978849	Coupling, Motor And Isolation
14	3387485	Screw #10-16 x 5/8
15	8316060	Shield, Motor
16	3400516	Screw
17	W10086010	Retainer, Motor (2)
18	3362089	Shield, Tub To Motor
19	3950297	Motor, Main Drive
21	8546127	Retainer, Pump (2)
22	3363394	Pump (Complete)
23	62863	Screw, 10-16 x 3/8
24	3355454	Clip, Anti-Rattle
25	8572719	Capacitor
26	W10083210	Clamp, Capacitor
27	8577374	Seal
28	8578981	Washer, Thrust

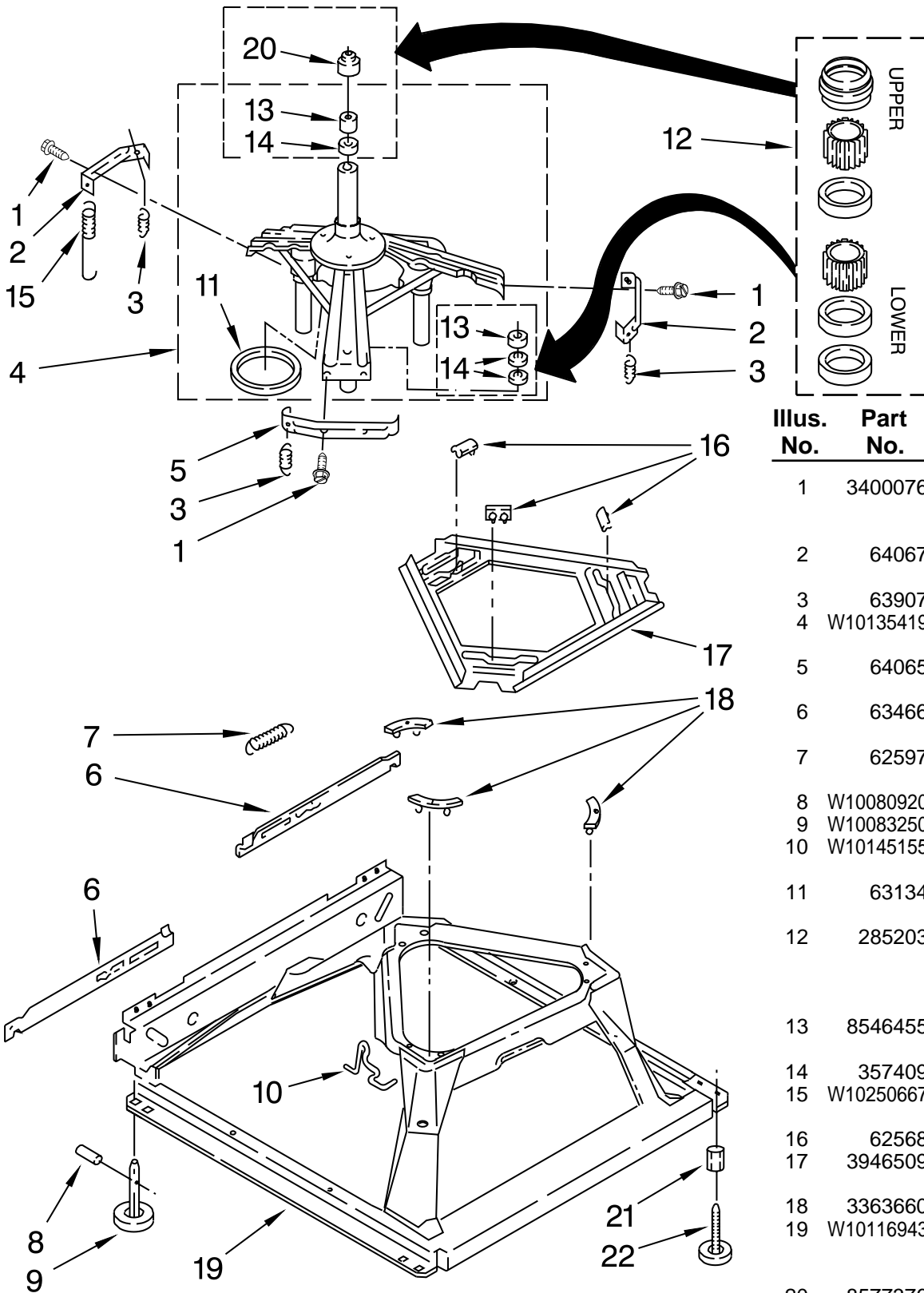


FOR ORDERING INFORMATION REFER TO PARTS PRICE LIST

# MACHINE BASE PARTS

For Model: MAT14PDAGW0

(White)



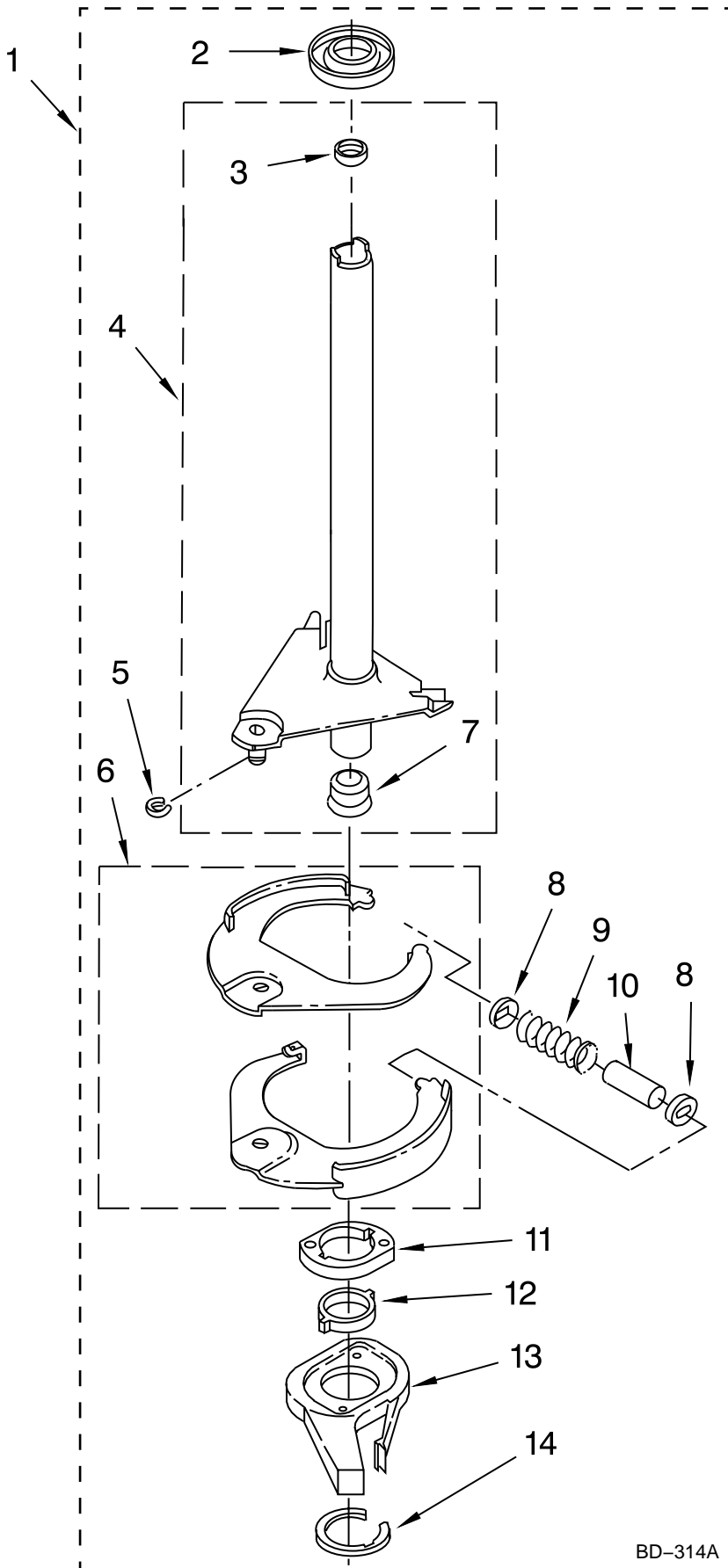
Illus. No.	Part No.	DESCRIPTION
1	3400076	Screw, Bracket Mounting (10-32 x 5/8)
2	64067	Bracket, Spring Outer (2)
3	63907	Spring, Suspension (3)
4	W10135419	Tub & Brake Support
5	64065	Bracket, Spring Outer (L.F.)
6	63466	Link, Leveling Mechanism (2)
7	62597	Spring, Leveling Mechanism
8	W10080920	Pin
9	W10083250	Foot, Rear (2)
10	W10145155	Retainer, Suspension Spring
11	63134	Ring, Sound Deadening
12	285203	Centerpost Bearing Kit (Includes Items 13, 14 & 20)
13	8546455	Bearing, Centerpost
14	357409	Seal, Centerpost
15	W10250667	Spring, Counterweight
16	62568	Pad, Plate
17	3946509	Plate, Suspension (Includes Item 16)
18	3363660	Pad, Base
19	W10116943	Base Assembly (Includes Items 6, 7, 8, 9, 10 & 18)
20	8577376	Seal, Centerpost
21	3359452	Nut, Lock (3/8-16)
22	W10001130	Foot, Front (2)

FOR ORDERING INFORMATION REFER TO PARTS PRICE LIST

# BRAKE AND DRIVE TUBE PARTS

For Model: MAT14PDAGW0

(White)



Illus. No.	Part No.	DESCRIPTION
1	388951	Brake And Drive Tube (Complete)
2	62658	Ring, Thrust
3	356427	Seal, Drive Tube
4	64027	Tube, Basket Drive (Includes Illus. 3, 4, 5 & 9)
5	64035	Ring, Retaining
6	64232	Shoe, Brake (2)
7	62703	"T" Bearing, Spin Tube
8	3353956	Cap, Brake Spring (2)
9	62647	Spring, Brake
10	3355360	Sleeve, Brake Spring
11	661516	Cam, Brake Release
12	63022	Sleeve, Cam
13	64194	Driver, Brake Cam
14	90368	Ring, Retaining

**FOLLOWING PARTS NOT ILLUSTRATED**

285208 Lubricant  
(Use Only In Brake Shoe Assembly On Roller & Pin)

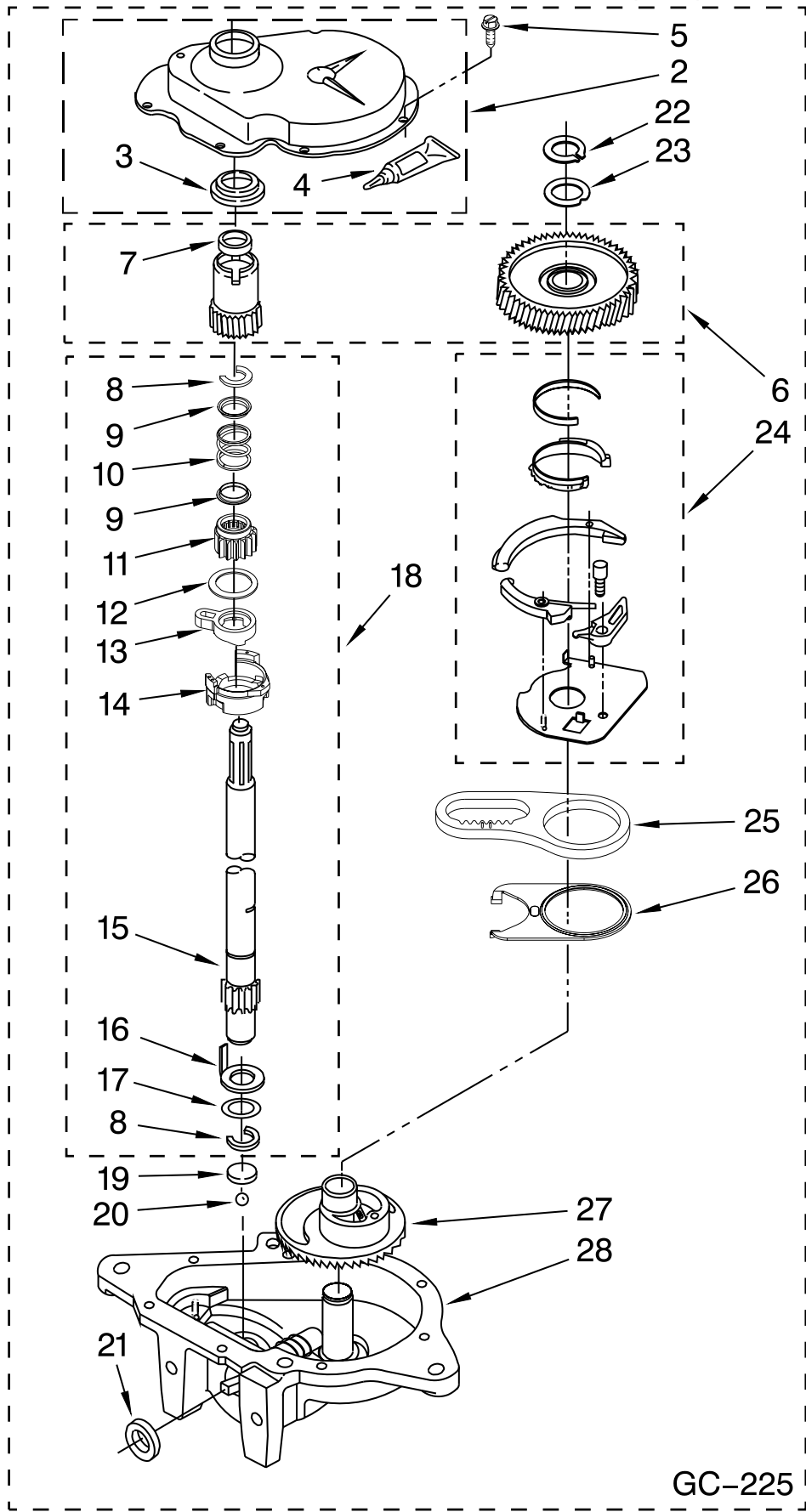
BD-314A

FOR ORDERING INFORMATION REFER TO PARTS PRICE LIST

# GEARCASE PARTS

For Model: MAT14PDAGW0

(White)



Illus. No.	Part No.	DESCRIPTION
1	W10140302	Gearcase (Complete)
2	285202	Cover, Gearcase
3	3349985	Seal, Gearcase Cover
4	285195	Sealer, Gasket (.20 Fl. Oz.) (6 ml)
5	W10080580	Screw, Gearcase Cover Mounting (8)
6	W10172898	Spin Pinion & Gear Spin Kit
7		Seal, Spin Pinion (Not Serviceable Part of Item 6)
8	90369	Ring, Retaining (2)
9	62677	Retainer, Spring (2)
10	62676	Spring, Agitate
11	W10110245	Gear, Agitate (Includes 15 & 17)
12	62619	Washer, Agitate Gear
13	62580	Cam Follower (Includes Item 14)
14	3976349	Cam, Agitate (Includes Item 13)
15	389231	Shaft, Agitator
16	62618	Washer, Cam Thrust
17	388815	Washer, Intermediate
18	W10116913	Shaft, Agitator Complete
19	16018	Bearing, Thrust
20	85529	Ball Bearing
21	W10111745	Seal, Thrust Plug
22	3362552	Ring, Retaining
23	285766	Washer Kit, Thrust
24	388253	Neutral Assembly
25	8546456	Rack, Connecting
26	62621	Actuator, Shift
27		Gear—Main Drive (Not Serviced Separately)
28		Bottom & Pinion Gearcase (Not Serviced Separately)

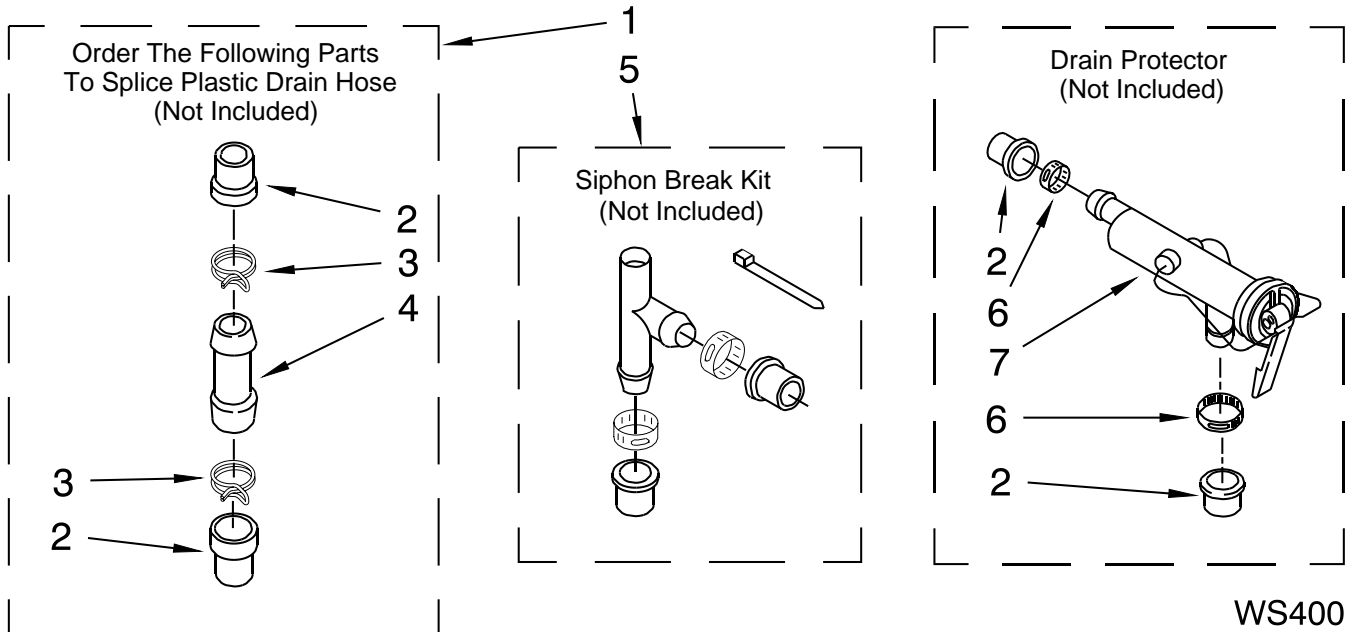
GC-225

FOR ORDERING INFORMATION REFER TO PARTS PRICE LIST

# WATER SYSTEM PARTS

For Model: MAT14PDAGW0

(White)



Illus. No.	Part No.	DESCRIPTION
1	285442	Connector Kit, Plastic Drain Hose
2	285321	Sleeve Kit, (Contains 2 Sleeves)
3	370447	Clamp, Hose
4	16272	Connector, Straight
5	285320	Siphon Break Kit (Not Included)
6	65349	Clamp, Hose
7	367031	Drain Protector (Not Included)

FOR ORDERING INFORMATION REFER TO PARTS PRICE LIST

# OPTIONAL PARTS (NOT INCLUDED)

For Model: MAT14PDAGW0

(White)

<b>Illus. No.</b>	<b>Part No.</b>	<b>DESCRIPTION</b>
-------------------	-----------------	--------------------

## PAINT, TOUCH-UP (1/2oz.)

72017 White

## PAINT, PRESSURIZED SPRAY (12 oz.)

350938 Primer, Gray

350930 White

## PAINT, BULK (1 qt.)

799344 White (Uncut)

## OIL

350572 Oil, Gearcase  
(16 Oz.)

## LUBRICANT

285208 Lubricant (Use  
Only in Brake  
Shoe Assembly  
On Roller and  
Pin)

389236 Lubricant,  
Agitator Spline

## SEALER

285195 Sealer, Gasket  
(.20 Fl. Oz.) (6 ml)