

PARTS LIST

for

MAYTAG[®]

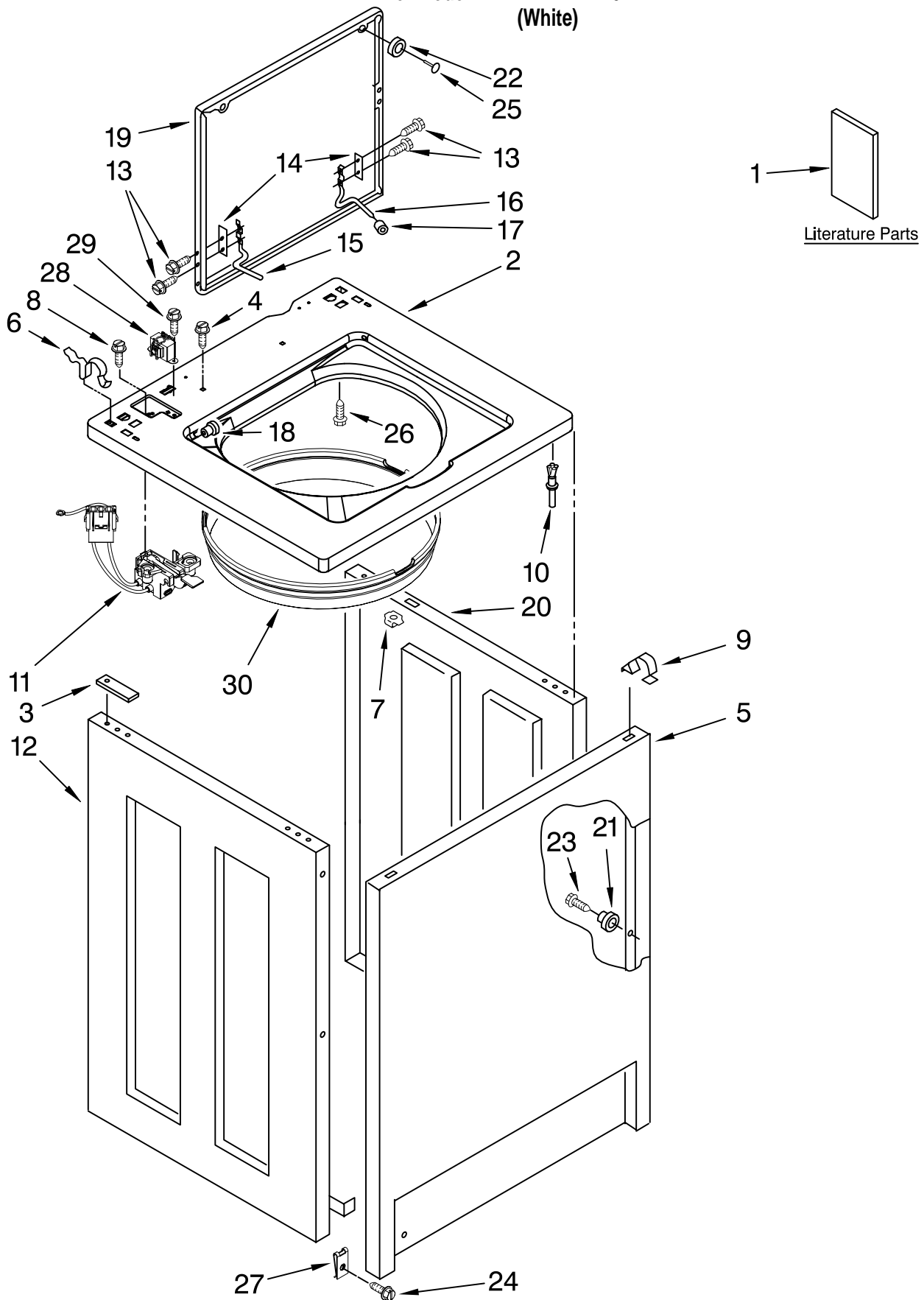
**COMMERCIAL
AUTOMATIC WASHER**

**MODEL NO.
MAT14PRAWW0**

TOP AND CABINET PARTS

For Model: MAT14PRAWW0

(White)



FOR ORDERING INFORMATION REFER TO PARTS PRICE LIST

TOP AND CABINET PARTS

For Model: MAT14PRAWW0

(White)

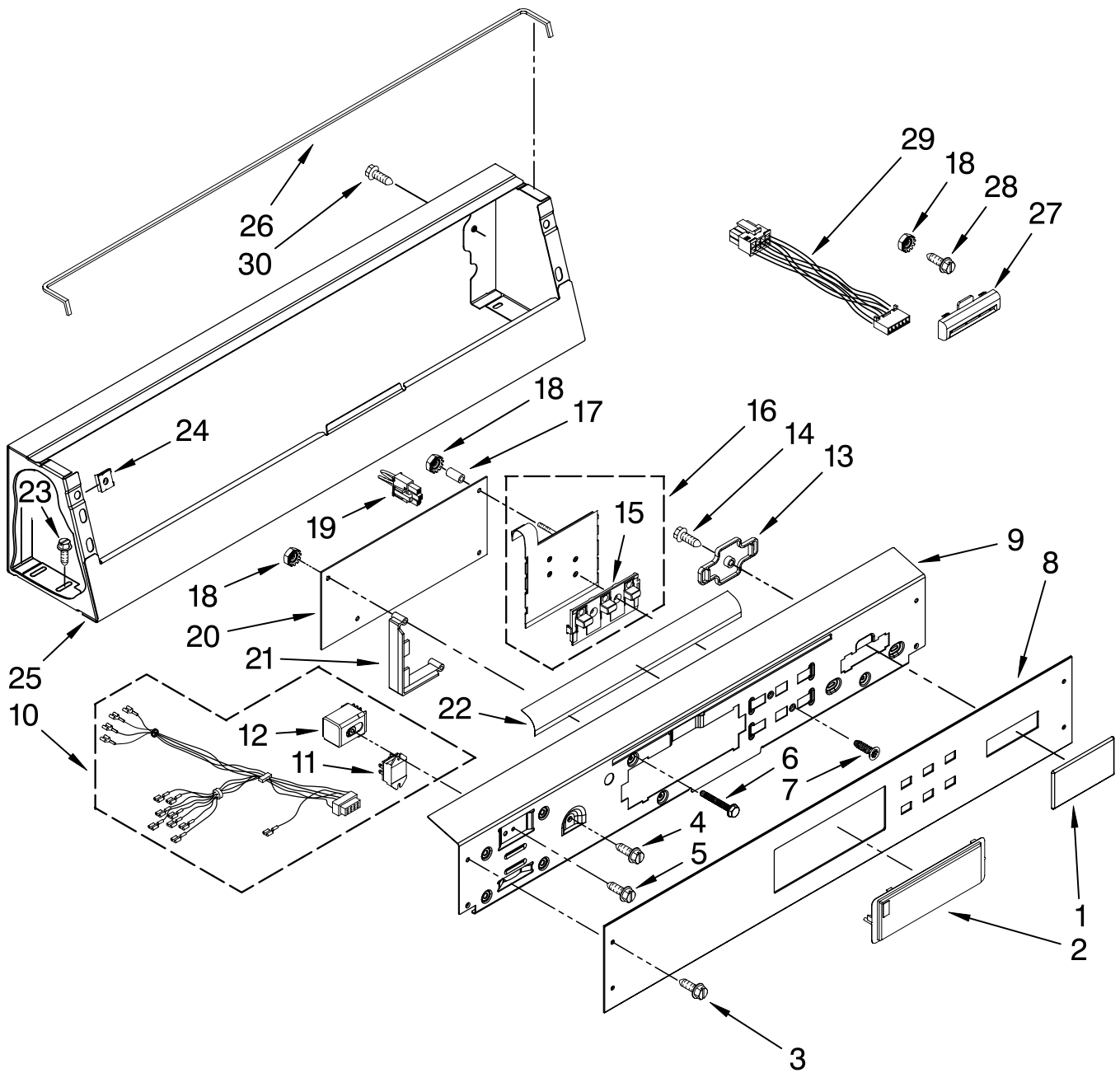
<u>Illus. No.</u>	<u>Part No.</u>	<u>DESCRIPTION</u>
1		Literature Parts
	W10135294	Installation Instructions
	W10135291	Card Reader, Installation Instructions
	W10146419	Wiring Diagram
	W10135297	Tech Sheet
	W10135285	Repair Parts List
2	W10136709	Top
3	3353950	Spacer, Cabinet To Top (4)
4	3351614	Screw, 10-24 X 3/8
5	3358500	Panel, Front
6	62780	Clip, Top & Cabinet & Rear Panel (2)
7	90406	Cage Nut
8	3400611	Screw & Washer, Lid Switch (2)
9	18776	Lock (2)
10	3353949	Pin, Locator (2)
11	8054980	Switch, Lid
12	3976382	Panel, L.H.
13	W10119828	Screw, Lid Hinge Mounting (4)
14	21097	Pad, Lid Hinge (2)
15	8524784	Hinge, Lid (L.H.)
16	54583	Hinge, Lid (R.H.)
17	19119	Bumper, Lid Hinge
18	21258	Bearing, Lid Hinge (2)
19	W10135387	Lid
20	3976380	Panel, R.H.
21	3353812	Locator (4)
22	356908	Bumper, Lid
23	718258	Screw (4)
24	3400077	Screw 10-16 X .500
25	356907	Rivet, Plastic
26	3353993	Screw 10-16 X .690
27	W10004930	Clip, U-Bend (2)
28	W10131839	Transformer, 120 To 22.5 VAC
29	90767	Screw, 8-18 X 3/8
30	8271956	Shield Assembly

FOR ORDERING INFORMATION REFER TO PARTS PRICE LIST

CONTROL PANEL PARTS

For Model: MAT14PRAWW0

(White)



FOR ORDERING INFORMATION REFER TO PARTS PRICE LIST

CONTROL PANEL PARTS

For Model: MAT14PRAWW0

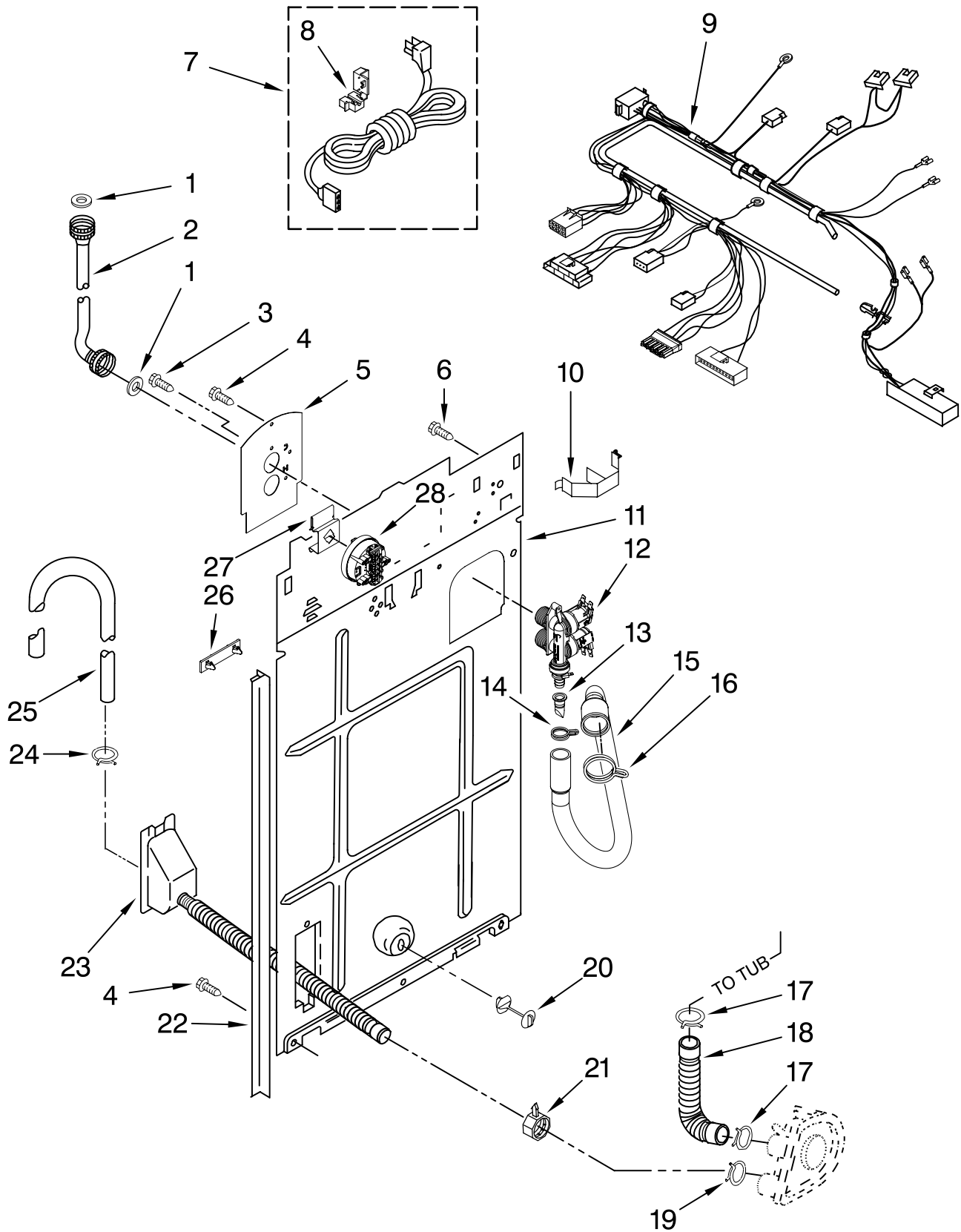
(White)

Illus. No.	Part No.	DESCRIPTION
1	W10137769	Cover, Card Reader
2	W10131114	Cover, Display
3	W10131119	Screw, 8-18 X 1/2
4	W10142650	Screw, 6-32 X 1/2
5	W10142728	Screw, 8-32 X 3/8
6	W10137322	Screw, 6-32 X 1.00
7	W10140652	Screw, 6-20 X 1/2
8	W10135335	Facia / Overlay
9	W10124211	Bracket, Control
10	W10153453	Harness, Console & Relays
11	W10133335	Relay, Motor
12	W10133279	Relay, Reversing
13	W10137770	Retainer, Card Reader Cover
14	3400618	Screw, 6-19 X 3/8
15	W10131113	Push Button (2)
16	W10135389	Push Button & Switch Assembly
17	W10133514	Spacer
18	W10139046	Nut 6-32
19	W10133282	Jumper, Service Vault Switch
20	W10130701	Control Board
21	W10161568	Shield, Probing
22	W10133515	Deflector
23	3390631	Screw, 10-16 X 3/8
24	W10131123	Nut, #8 U Type
25	W10137300	Console
26	8318396	Foam Seal
27	W10131115	Bezel
28	W10143462	Screw, 6-32 X 9/16
29	W10133304	Harness, Card Reader
30	489290	Screw, 8-18 X 1/2

REAR PANEL PARTS

For Model: MAT14PRAWW0

(White)



FOR ORDERING INFORMATION REFER TO PARTS PRICE LIST

REAR PANEL PARTS

For Model: MAT14PRAWW0

(White)

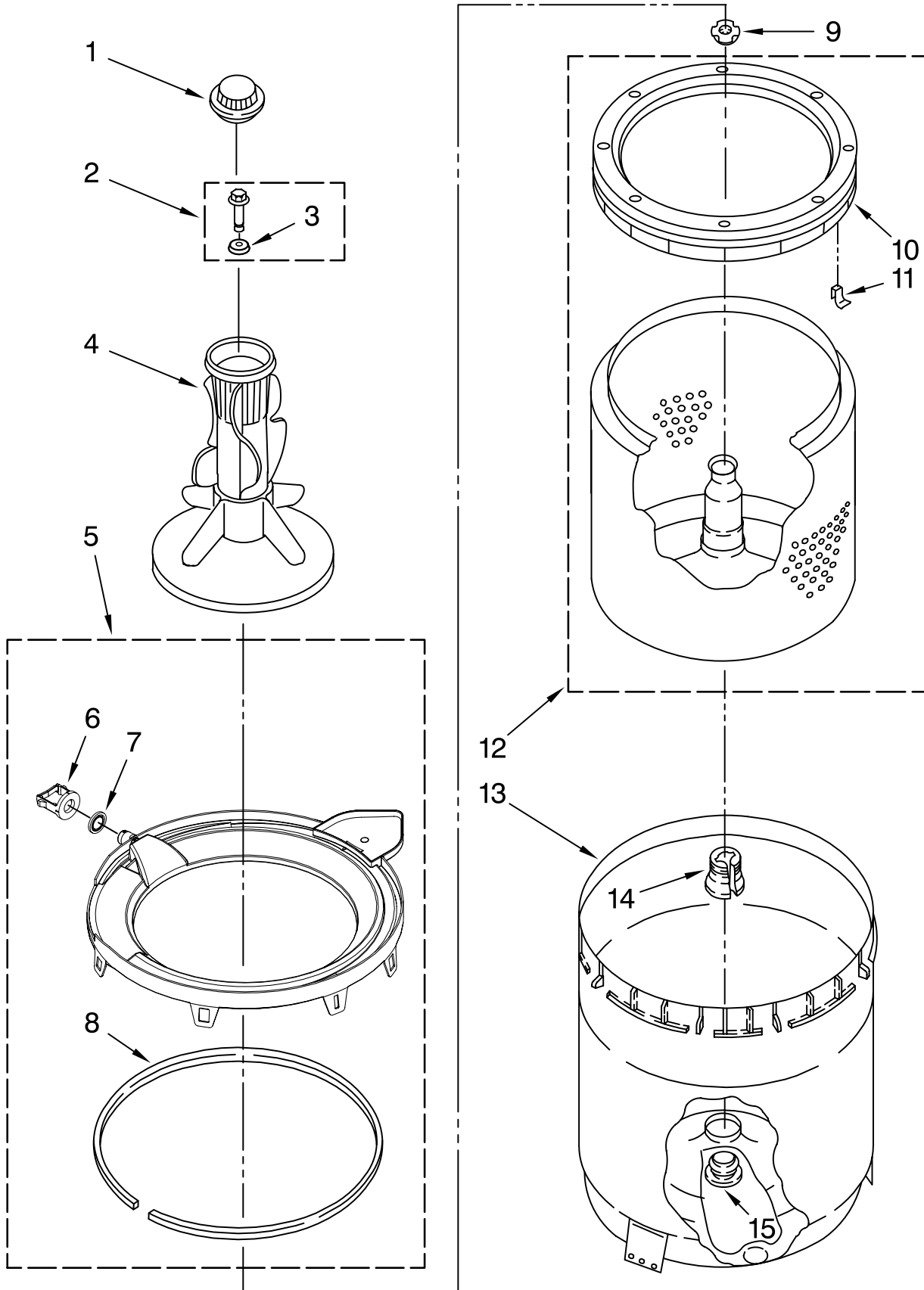
Illus. No.	Part No.	DESCRIPTION
1	3976300	Washer, Water Inlet Hose (4) (1-1/16 x 5/8)
2		Hose, Water Inlet (2)
	3949380	Blue Coupler
	3949381	Red Coupler
3	9740848	Screw, 8-18 X 1/2
4	62863	Screw, 10-16 X 3/8
5	8541624	Plate, Mixing Valve
6	3351614	Screw, 10-24 X 3/8
7	3976231	Cord, Power
8	3952821	Strain Relief, Power Cord To Rear Panel
9	W10153452	Harness, Wiring (For Detail See Pages 12 & 13)
10	8055003	Clip, Harness & Pressure Hose
11	8541652	Panel, Rear
12	W10151482	Valve, Water Inlet & Thermistor Assy.
13	8055306	Check Valve, Duck Bill
14	W10156124	Clamp, Hose
15	W10114765	Hose, Fresh Fill
16	W10151157	Clamp, Hose
17	3363366	Clamp, Hose
18	3951449	Hose, Pump To Tub (Includes Item 17)
19	W10142630	Clamp, Hose
20	8519200	Support, Rear Panel
21	3976395	Clamp, Hose
22	3354204	Pad, Rear Panel
23	8317959	Drain Hose Assy. (Includes Item 21)
24	8317496	Clamp, Hose
25	W10141216	Hose, Discharge Gooseneck
26	389379	Retainer, Side To Feature Panel (2)
27	W10133269	Bracket, Pressure Switch
28	W10134535	Pressure Switch Triple-Level

FOR ORDERING INFORMATION REFER TO PARTS PRICE LIST

AGITATOR, BASKET AND TUB PARTS

For Model: MAT14PRAWW0

(White)



FOR ORDERING INFORMATION REFER TO PARTS PRICE LIST

AGITATOR, BASKET AND TUB PARTS

For Model: MAT14PRAWW0

(White)

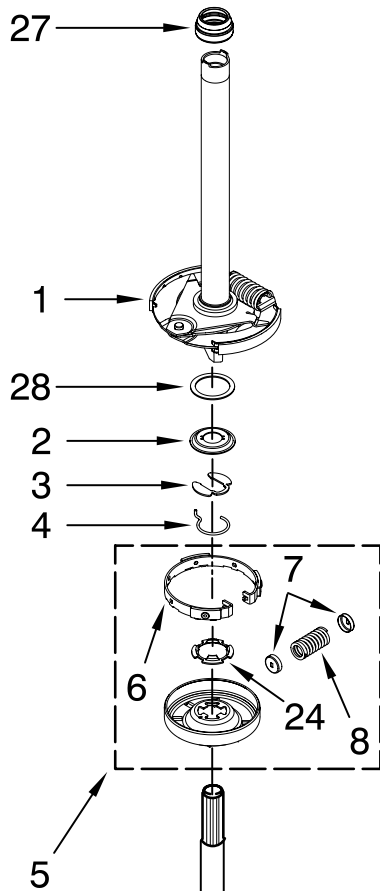
Illus.	Part	
No.	No.	DESCRIPTION
1	W10131109	Cap, Agitator
2	W10003790	Screw & Washer Assembly
3	3949550	Washer
4	W10131112	Agitator
5	W10114776	Tub Ring
6	8055316	Retainer, Check Valve
7	3369375	Wafer, Check Valve
8	3359586	Gasket, Tub Ring
9	21366	Nut, Spanner
10	3956205	Balance Ring (Includes Item 11)
11	8519815	Clip, Balance Ring (8)
12	8545860	Basket & Balance Ring
13	W10135424	Tub
14	389140	Block, Drive
15	383727	Gasket, Centerpost

FOR ORDERING INFORMATION REFER TO PARTS PRICE LIST

BRAKE, CLUTCH, GEARCASE, MOTOR AND PUMP PARTS

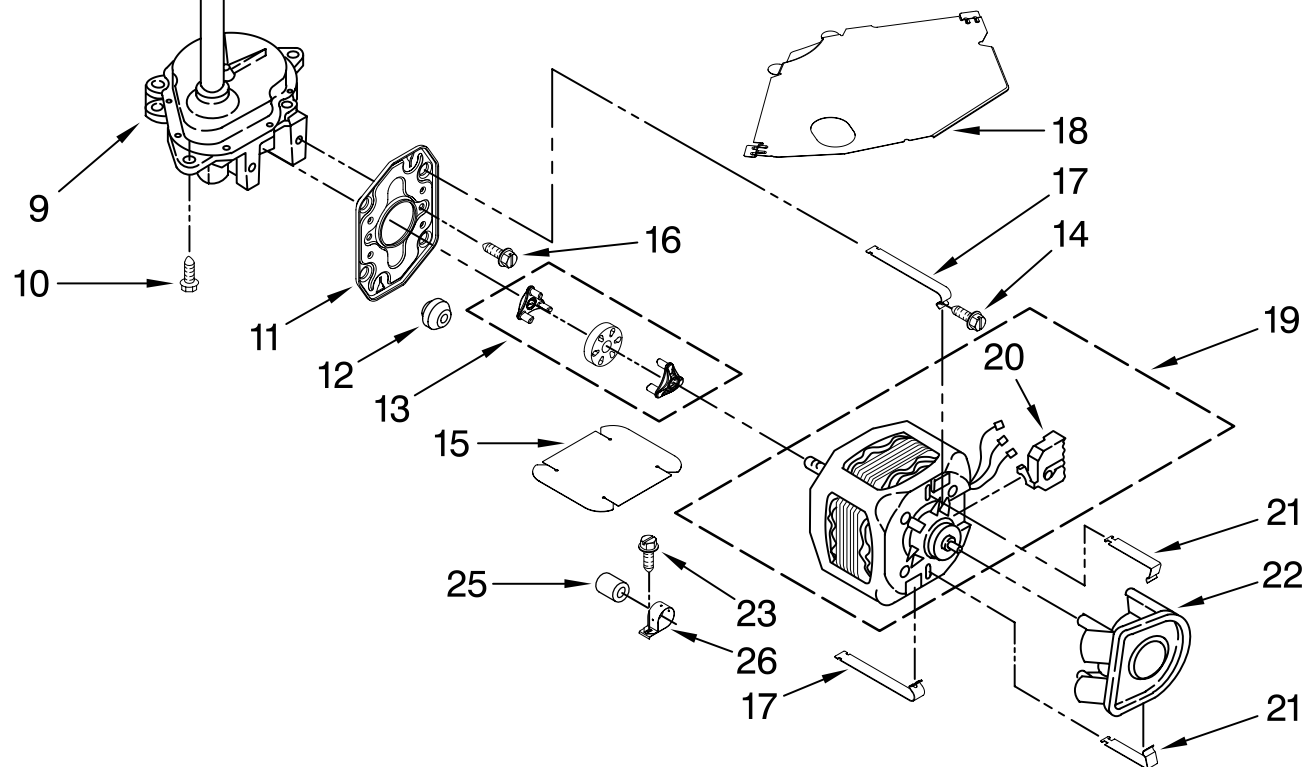
For Model: MAT14PRAWW0

(White)



Illus. No.	Part No.	DESCRIPTION
1	388951	Brake & Drive Tube (Complete) (Refer to Page 14 For Further Breakdown)
2	63292	Washer, Spin Tube Thrust
3	62697	Ring, Spin Tube Support
4	63283	Ring, Retainer
5	8299642	Clutch (Complete)
6	3951993	Band & Lining Assembly
7	62646	Cap, Clutch Spring (2)
8	8559387	Spring & Damper Assembly
9	W10140301	Gearcase (Complete) (Refer To Page 15 For Further Breakdown)
10	3357334	Screw, Gearcase To Base (3)
11	62611	Plate, Motor Mount To Gearcase

Illus. No.	Part No.	DESCRIPTION
12	62691	Grommet, Motor (4)
13	3978849	Coupling, Motor And Isolation
14	3387485	Screw #10-16 x 5/8
15	3946532	Shield, Motor
16	3400516	Screw
17	W10086010	Retainer, Motor (2)
18	3362089	Shield, Tub To Motor
19	W10153111	Motor, Main Drive
20	3952056	Switch, Main Drive Motor
21	8546127	Retainer, Pump (2)
22	3363394	Pump (Complete)
23	62863	Screw, 10-16 x 3/8
24	3355454	Clip, Anti-Rattle
25	8572717	Capacitor
26	3949496	Clamp, Capacitor
27	8577374	Seal
28	8578981	Washer, Thrust

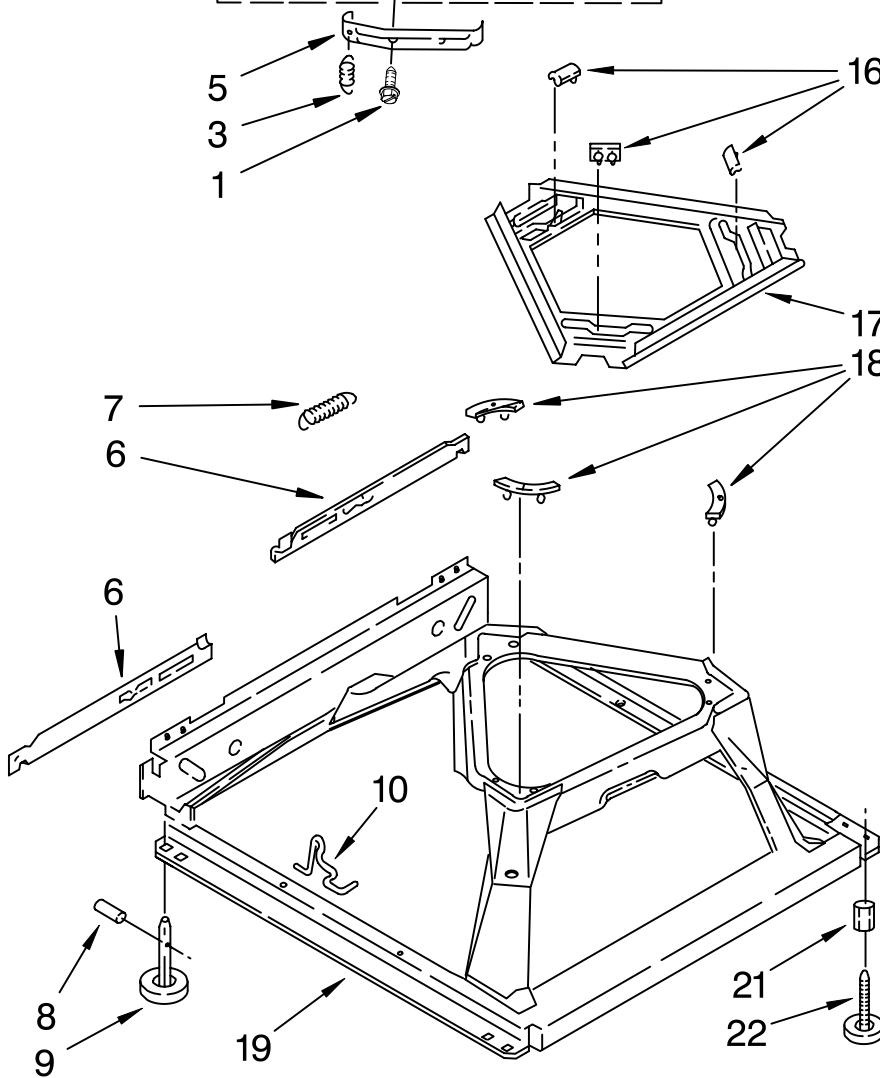
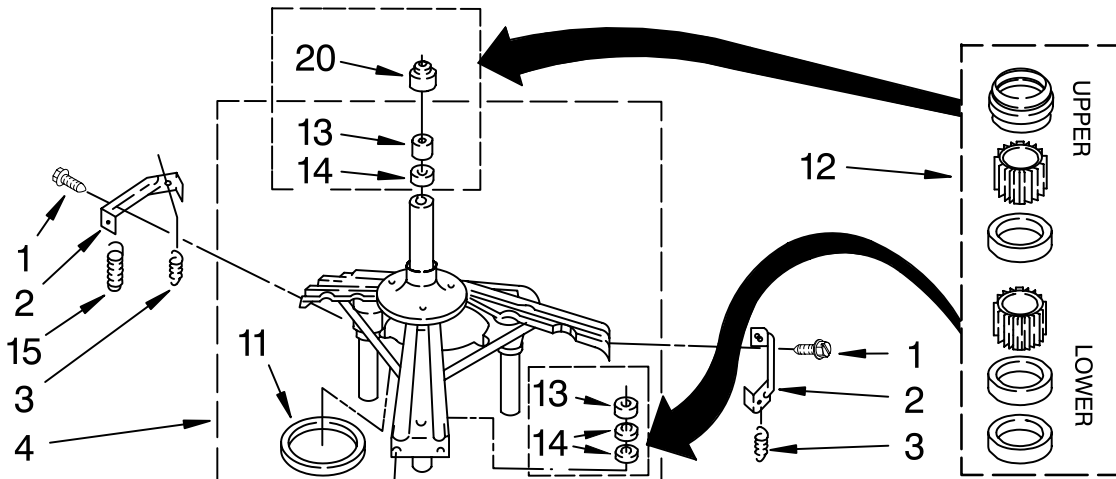


FOR ORDERING INFORMATION REFER TO PARTS PRICE LIST

MACHINE BASE PARTS

For Model: MAT14PRAWW0

(White)



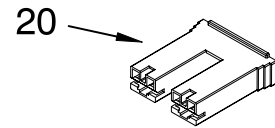
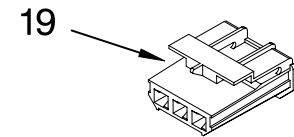
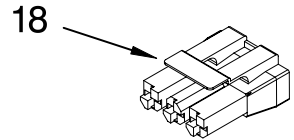
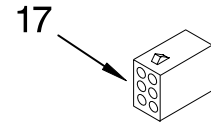
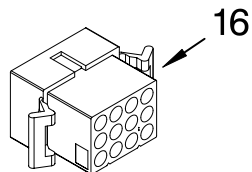
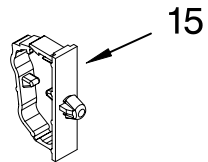
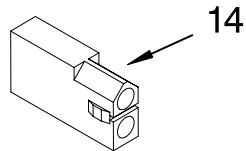
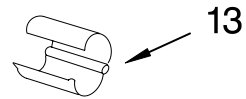
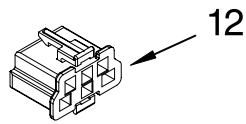
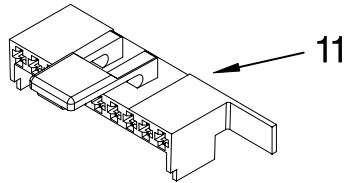
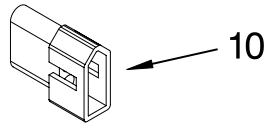
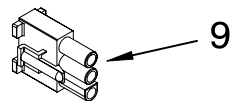
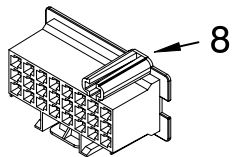
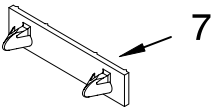
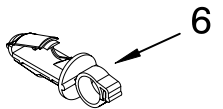
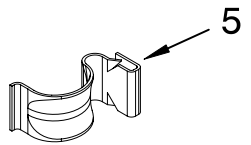
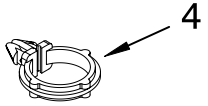
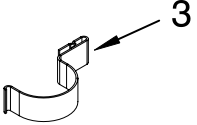
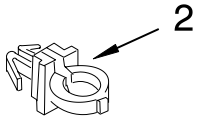
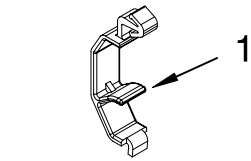
Illus. No.	Part No.	DESCRIPTION
1	3400076	Screw, Bracket Mounting (10-32 x 5/8)
2	64067	Bracket, Spring Outer (2)
3	63907	Spring, Suspension (3)
4	3362087	Support & Brake, Tub
5	64065	Bracket, Spring Outer (L.F.)
6	63466	Link, Leveling Mechanism (2)
7	62597	Spring, Leveling Mechanism
8	62837	Pin, Knurled
9	62596	Foot, Rear (2)
10	W10145155	Retainer, Suspension Spring
11	63134	Ring, Sound Deadening
12	285203	Centerpost Bearing Kit (Includes Illus. 13, 14 & 20)
13	8546455	Bearing, Centerpost
14	357409	Seal, Centerpost (3)
15	388492	Spring, Counterweight
16	62568	Pad, Plate
17	3946509	Plate, Suspension (Includes Illus. 16)
18	3363660	Pad, Base
19	W10135411	Base Assembly (Includes Illus. 6, 7, 8, 9, 10 & 18)
20	8577376	Seal, Centerpost
21	3359452	Nut, Lock (3/8-16)
22	W10001130	Foot, Front (2)

FOR ORDERING INFORMATION REFER TO PARTS PRICE LIST

WIRING HARNESS PARTS

For Model: MAT14PRAWW0

(White)



WH2J

FOR ORDERING INFORMATION REFER TO PARTS PRICE LIST

WIRING HARNESS PARTS

For Model: MAT14PRAWW0

(White)

Illus. No.	Part No.	DESCRIPTION	Illus. No.	Part No.	DESCRIPTION	Illus. No.	Part No.	DESCRIPTION
1	3349557	Retainer, Harness	9	62889	Receptacle, Terminal (3-Way)	16	3390423	Block, Disconnect (12-Way)
2	388498	Clip, Harness				17	3347730	Receptacle (6-Way)
3	3347812	Clip, Harness	10	353424	Plug, Terminal (3-Way)	18	3948617	Connector (T.P.A.) (3-Circuit)
4	3352501	Clip, Harness (Push-In)	11	62505	Block, Disconnect (Motor 2 Speed)	19	3360056	Plug (T.P.A.) (3-Circuit)
5	90016	Clip, Harness (Half-Harness)	12	3347243	Block, Disconnect			(Pressure Switch)
6	3390496	Clip, Harness	13	63523	Protector	20		Block, Connector
7	389379	Retainer, Harness	14	717252	Connector (2-Way)		3354925	Natural
8		Timer, Block Disconnect	15	3352944	Clip, Harness		3354926	Red
	3948614	Natural						
	352089	Black						

**FOR COMPLETE WIRING HARNESS REFER TO
CONTROL AND REAR PANEL PARTS PAGE**

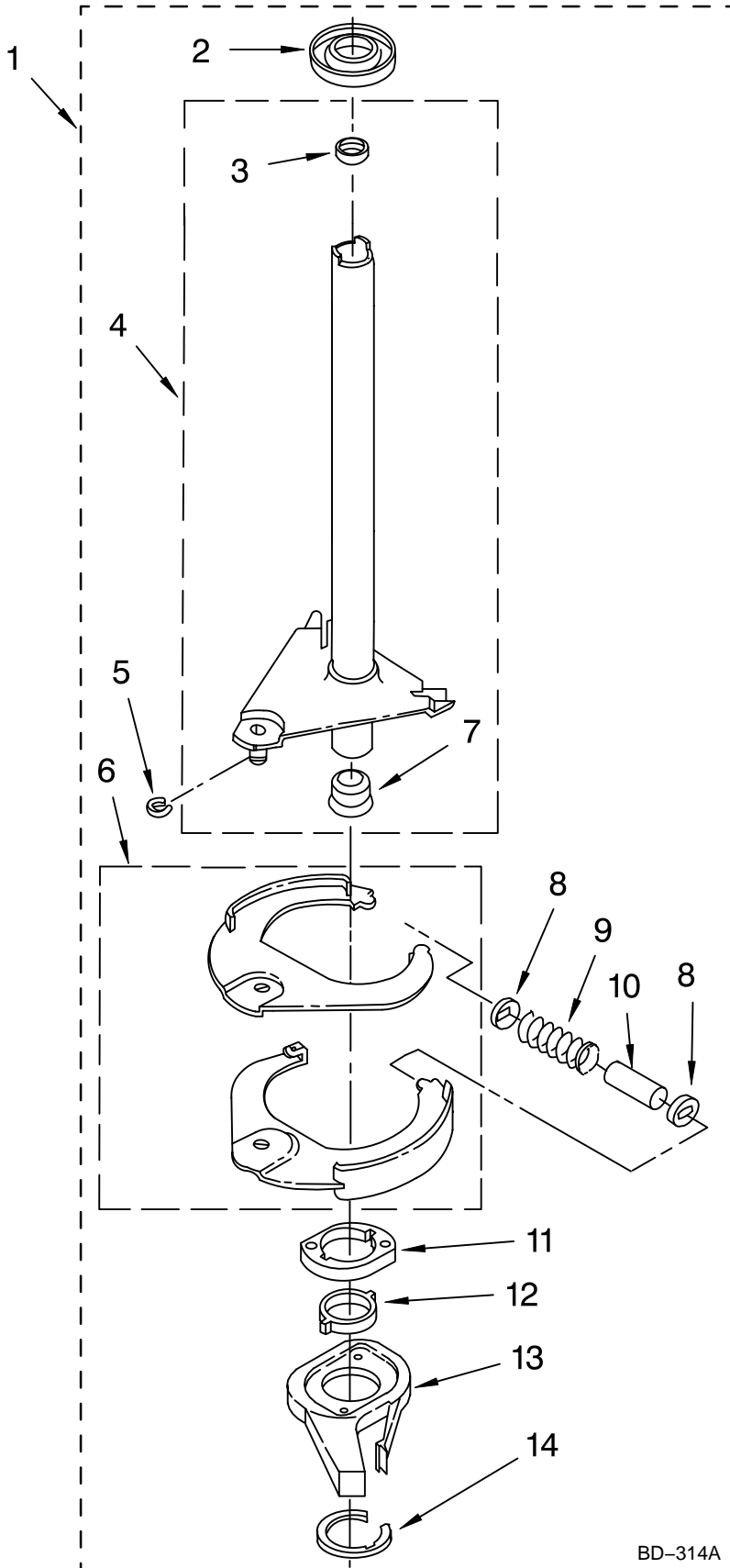
WH2J

FOR ORDERING INFORMATION REFER TO PARTS PRICE LIST

BRAKE AND DRIVE TUBE PARTS

For Model: MAT14PRAWW0

(White)



Illus. No.	Part No.	DESCRIPTION
1	388951	Brake And Drive Tube (Complete)
2	62658	Ring, Thrust
3	356427	Seal, Drive Tube
4	64027	Tube, Basket Drive (Includes Illus. 3, 4, 5 & 9)
5	64035	Ring, Retaining
6	64232	Shoe, Brake (2)
7	62703	"T" Bearing, Spin Tube
8	3353956	Cap, Brake Spring (2)
9	62647	Spring, Brake
10	3355360	Sleeve, Brake Spring
11	661516	Cam, Brake Release
12	63022	Sleeve, Cam
13	64194	Driver, Brake Cam
14	90368	Ring, Retaining

FOLLOWING PARTS NOT ILLUSTRATED

285208 Lubricant
(Use Only In Brake Shoe Assembly On Roller & Pin)

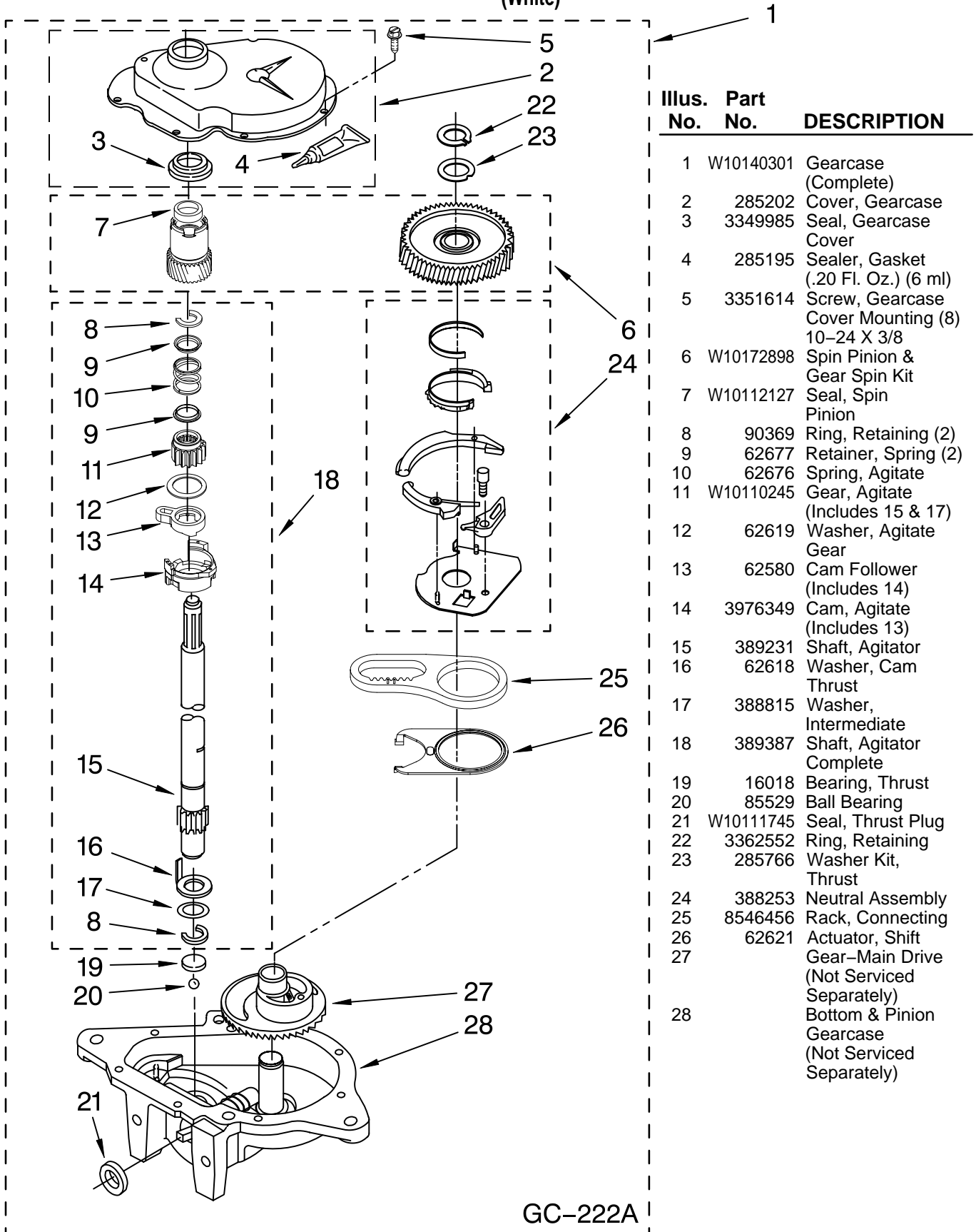
BD-314A

FOR ORDERING INFORMATION REFER TO PARTS PRICE LIST

GEARCASE PARTS

For Model: MAT14PRAWW0

(White)



Illus. No.	Part No.	DESCRIPTION
1	W10140301	Gearcase (Complete)
2	285202	Cover, Gearcase
3	3349985	Seal, Gearcase Cover
4	285195	Sealer, Gasket (.20 Fl. Oz.) (6 ml)
5	3351614	Screw, Gearcase Cover Mounting (8) 10-24 X 3/8
6	W10172898	Spin Pinion & Gear Spin Kit
7	W10112127	Seal, Spin Pinion
8	90369	Ring, Retaining (2)
9	62677	Retainer, Spring (2)
10	62676	Spring, Agitate
11	W10110245	Gear, Agitate (Includes 15 & 17)
12	62619	Washer, Agitate Gear
13	62580	Cam Follower (Includes 14)
14	3976349	Cam, Agitate (Includes 13)
15	389231	Shaft, Agitator
16	62618	Washer, Cam Thrust
17	388815	Washer, Intermediate
18	389387	Shaft, Agitator Complete
19	16018	Bearing, Thrust
20	85529	Ball Bearing
21	W10111745	Seal, Thrust Plug
22	3362552	Ring, Retaining
23	285766	Washer Kit, Thrust
24	388253	Neutral Assembly
25	8546456	Rack, Connecting
26	62621	Actuator, Shift Gear-Main Drive (Not Serviced Separately)
27		Bottom & Pinion Gearcase (Not Serviced Separately)
28		

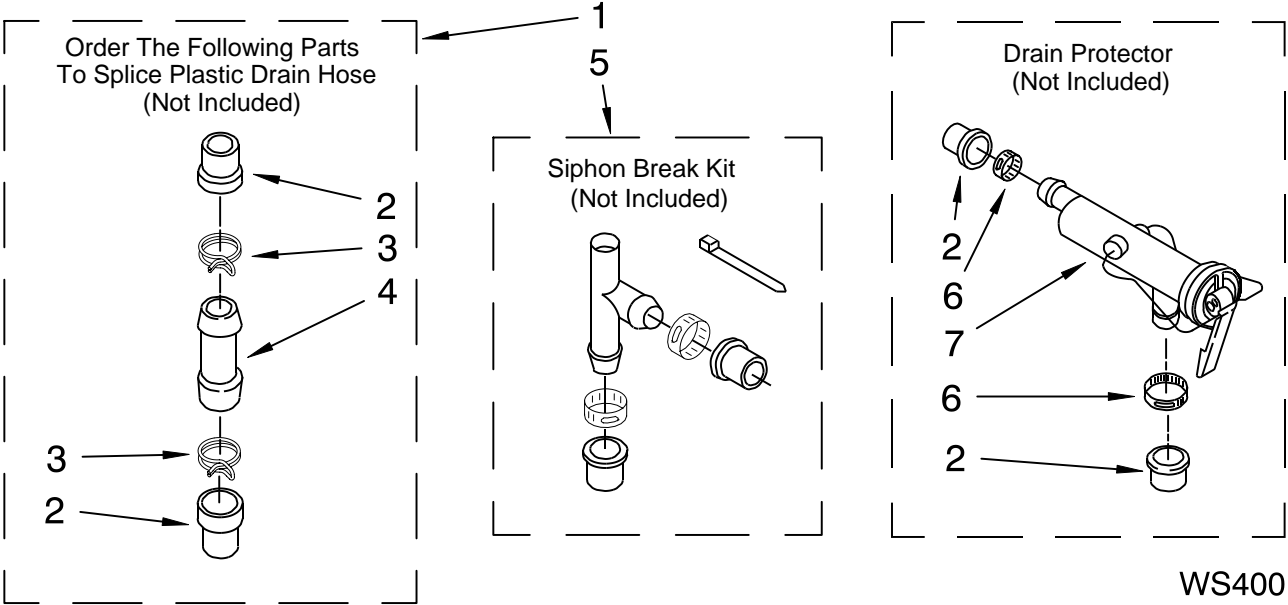
GC-222A

FOR ORDERING INFORMATION REFER TO PARTS PRICE LIST

WATER SYSTEM PARTS

For Model: MAT14PRAWW0

(White)



WS400

Illus. No.	Part No.	DESCRIPTION
1	285442	Connector Kit, Plastic Drain Hose
2	285321	Sleeve Kit, (Contains 2 Sleeves)
3	370447	Clamp, Hose
4	16272	Connector, Straight
5	285320	Siphon Break Kit (Not Included)
6	65349	Clamp, Hose
7	367031	Drain Protector (Not Included)

FOR ORDERING INFORMATION REFER TO PARTS PRICE LIST

OPTIONAL PARTS (NOT INCLUDED)

For Model: MAT14PRAWW0

(White)

Illus. No.	Part No.	DESCRIPTION
-------------------	-----------------	--------------------

PAINT, TOUCH-UP (1/2oz.)

72017 White

PAINT, PRESSURIZED SPRAY (12 oz.)

350938 Primer, Gray
350930 White

PAINT, BULK (1 qt.)

799344 White (Uncut)

OIL

350572 Oil, Gearcase
(16 Oz.)

LUBRICANT

285208 Lubricant (Use
Only in Brake
Shoe Assembly
On Roller and
Pin)
389236 Lubricant,
Agitator Spline

SEALER

285195 Sealer, Gasket
(.20 Fl. Oz.) (6 ml)