

WASHER

Repair Parts List

MODEL NUMBER
MFR25PDATS

When requesting service or ordering parts, always provide the following information:

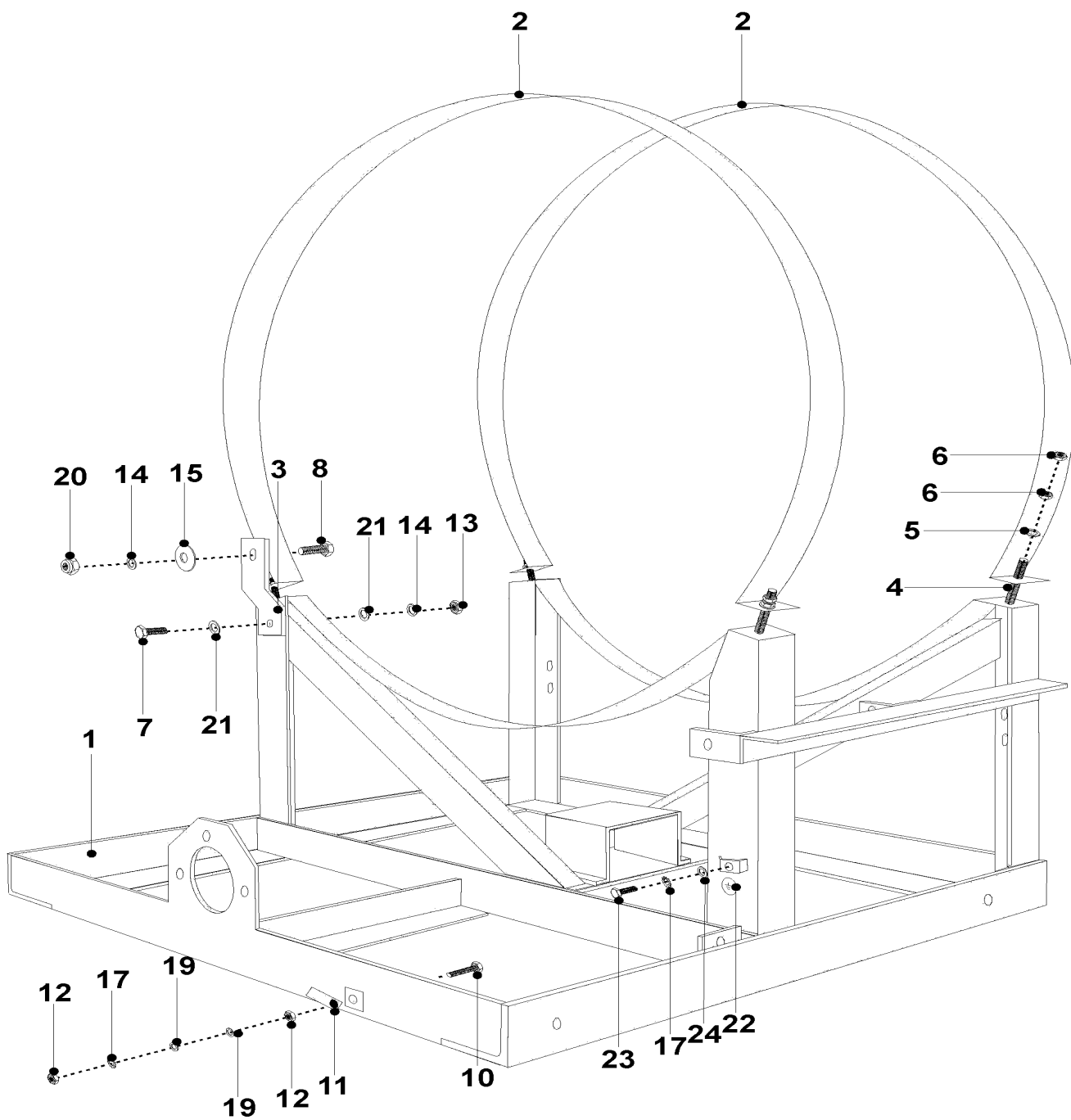
- Product Type
- Part Number
- Model Number
- Part Description

MAYTAG®

©2005 Maytag Services

Section: BASE FRAME

Model: MFR25PDATS



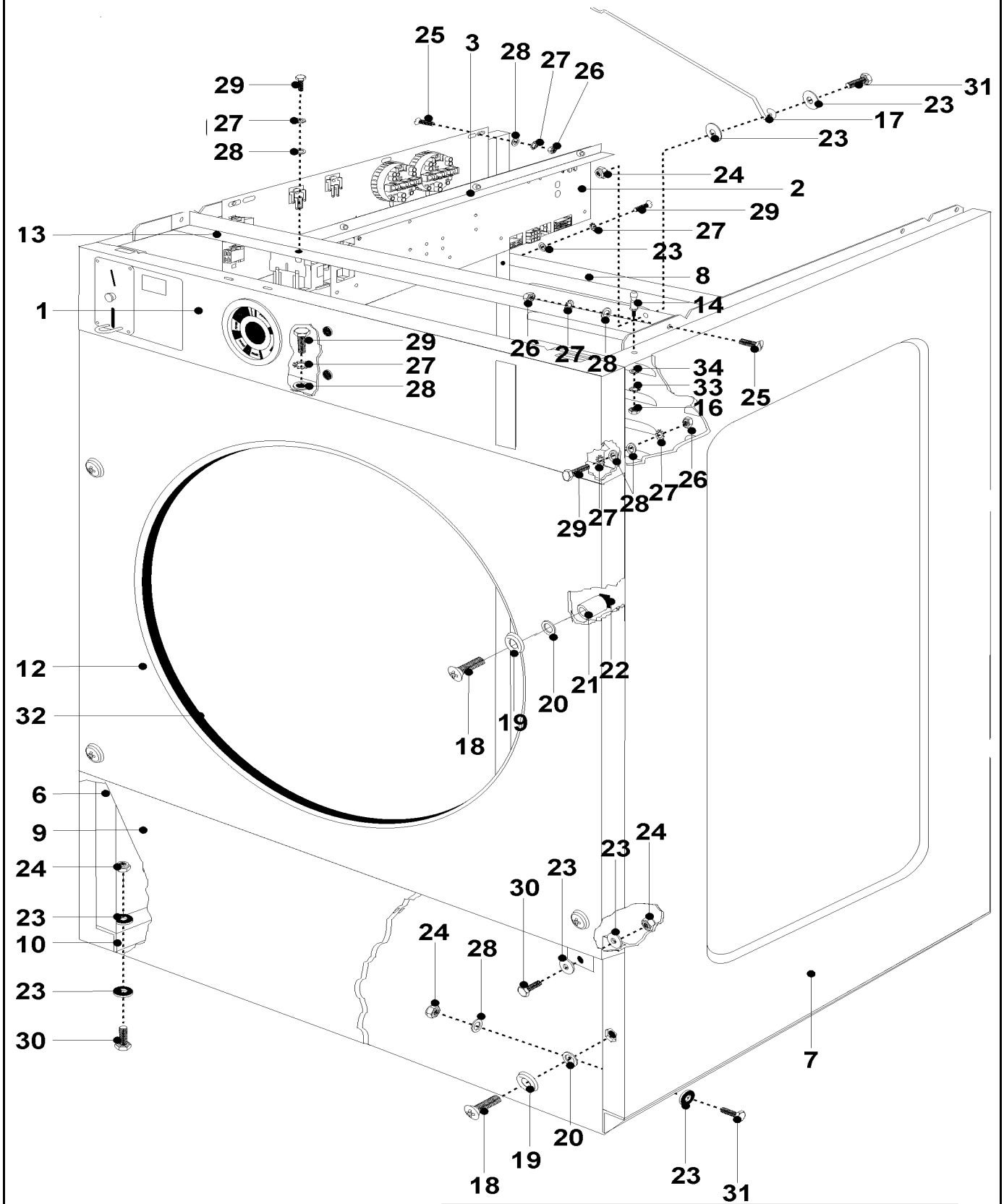
Section: BASE FRAME

No.	Part No.	Description	Series	Qty
1	N 23003282	FRAME (MFR25)	10	1
2	N 23003283	CLAMP, TUB	10	2
3	N 23003284	BRACE, TUB SUPPORT	10	1
4	23003285	BOLT (M10X50)	10	4
5	23002654	WASHER (10)	10	4
6	23003764	NUT M10	10	8
7	23003765	BOLT M8X35	10	1
8	23002847	SCREW (M8X45)	10	1
10	23002806	SCREW (M6 X 25)	10	1
11	23001308	GROUNDING HARDWARE	10	1
12	23002651	NUT (M6)	10	1
13	23003766	NUT M8	10	1
14	23002358	WASHER (M8)	10	1
15	N 23001426	WASHER (DIA. 30 X 8.5 X 2.5)	10	1
17	23002425	WASHER, LOCK	10	1
19	23003767	WASHER BRASS	10	2
20	23003766	NUT M8	10	1
21	23003769	WASHER M8	10	2
22	N 23002350	PLATE, INDEX	10	1
23	23002422	SCREW (M6 X 12)	10	1
24	23002424	WASHER	10	1

*Color Code (-)=Not Shown #=Series, Serial Prefix or Run No., N=Not Available

Section: CABINET

Model: MFR25PDATS



CW12-40

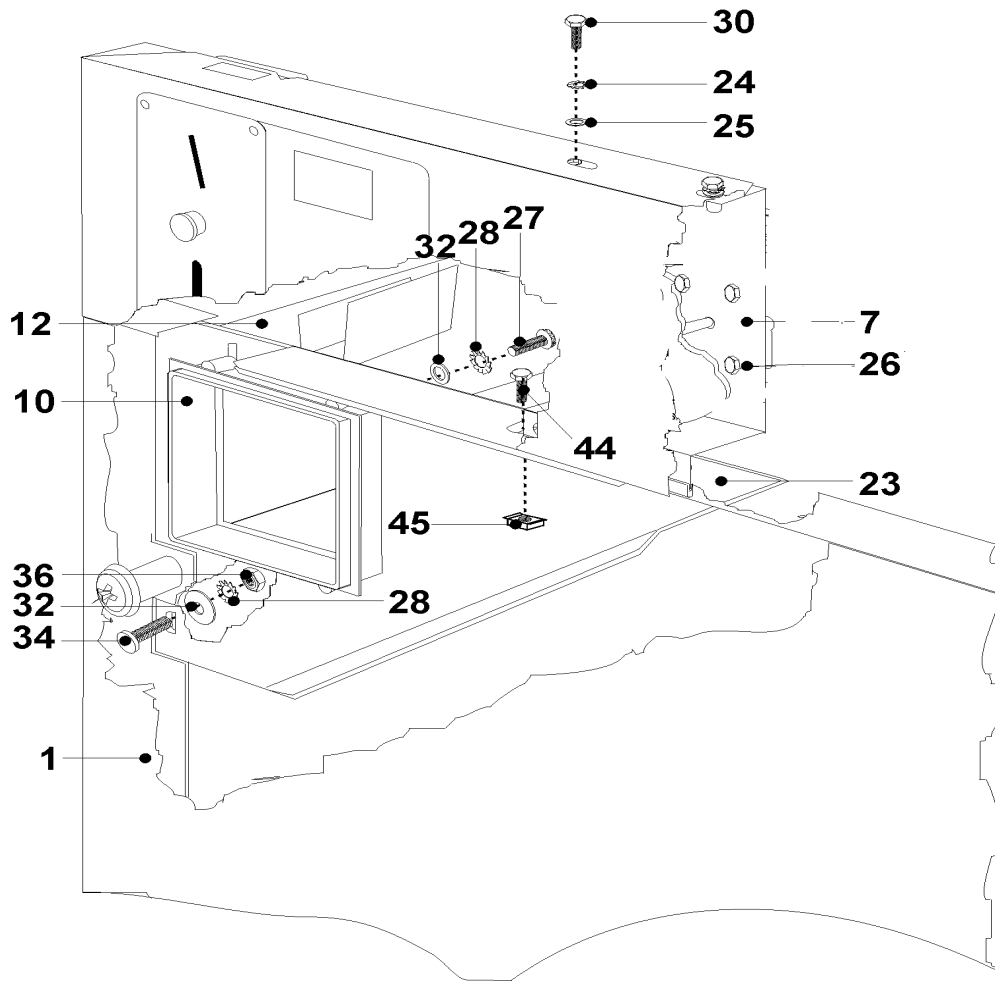
Section: CABINET

No.	Part No.	Description	Series	Qty
1	N 23003288	PANEL, CONTROL (W/MKII)	10	1
2	N 23002961	HOLDER, CONDENSER	10	1
3	N 23003290	HOLDER, ELEC. COMPONENT BOX	10	1
6	23003292	PANEL, SIDE (LT)	10	1
7	23003294	PANEL, SIDE (RT)	10	1
8	23003296	PANEL, REAR	10	1
9	23001436	PANEL, ACCESS (LWR)	10	1
10	23003299	SUPPORT, SIDE PANEL	10	1
12	23003362	PANEL, FRONT	10	1
13	N 23003300	HOLDER, COMPONENTS	10	1
14	23001332	PIN, SRV	10	4
16	23002466	NUT (M5)	10	6
17	23001330	SUPPORT ROD, TOP PANEL	10	2
18	23003772	BOLT M5X50 STNS STL	10	6
19	23001204	WASHER, FINISHING (DIA. 5)	10	6
20	23001447	WASHER, FIBER (12 X 6 X 2)	10	4
21	23002860	TUBE, DISTANCE	10	1
22	23001448	NUT, RAPID (M5)	10	4
23	23002469	WASHER	10	14
24	23002471	NUT	10	8
25	N 23003301	BOLT (M6X16)	10	2
26	23003773	NUT M6	10	2
27	23002440	WASHER, SPRING LOCK (6)	10	6
28	23003774	WASHER 12	10	6
29	23002461	SCREW (M6 X16)	10	4
30	23002462	SCREW (M6 X 20) LU	10	6
31	23002861	SCREW (M6X25) LU	10	4
32	23002473	RUBBER, PROTECTIVE	10	1
33	23002465	WASHER, LOCK	10	6
34	23002862	WASHER (5,3)	10	6

*Color Code (-)=Not Shown #=Series, Serial Prefix or Run No., N=Not Available

Section: TIMER AND COIN VAULT

Model: MFR25PDATS



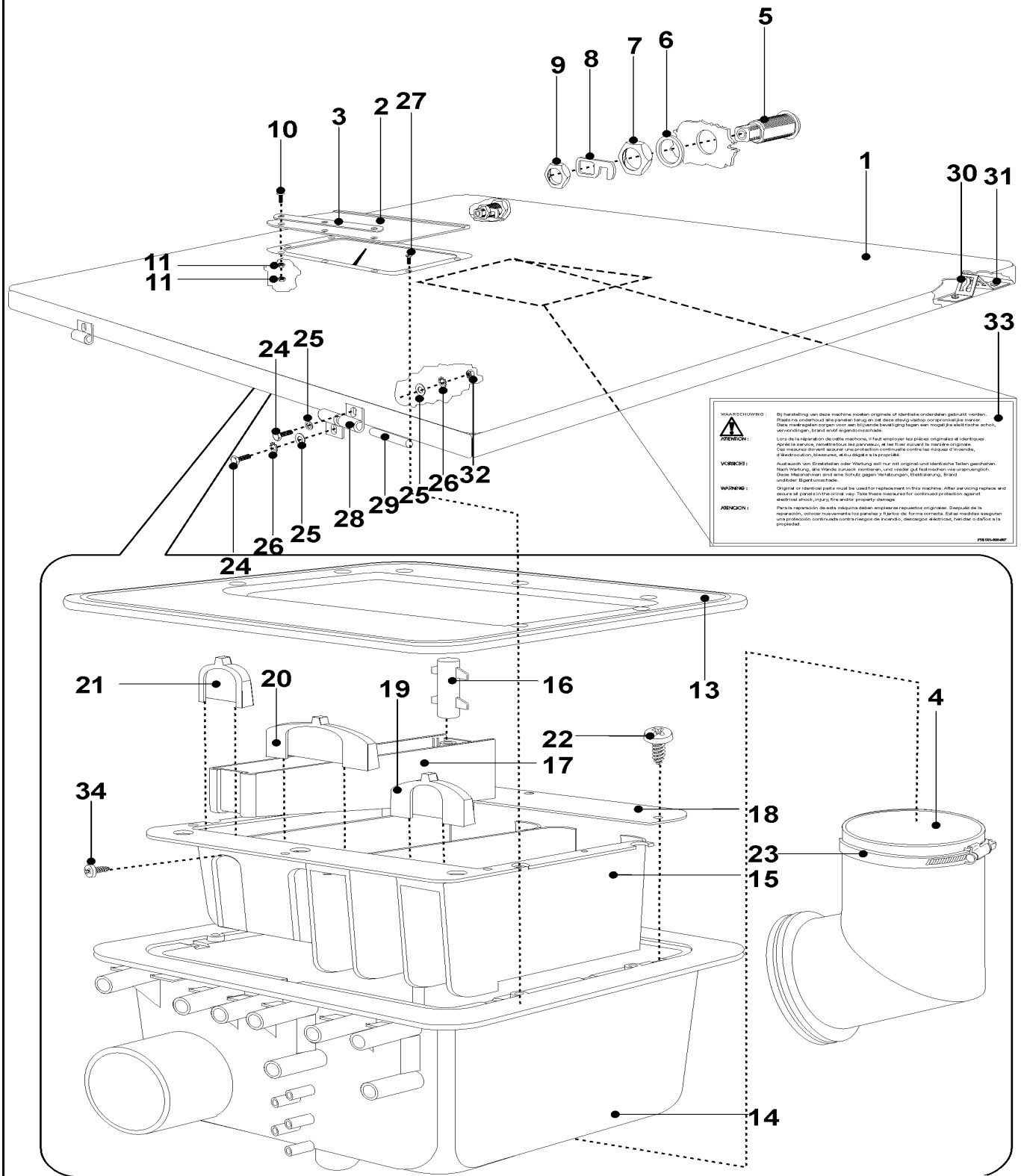
Section: TIMER AND COIN VAULT

No.	Part No.	Description	Series	Qty
1	23001347	FRONT PANEL, 26X27 1/2	10	1
7	23002880	TIMER, SUPPORT	10	1
10	23003775	ORNAMENTAL PART COIN VAULT	10	1
12	23002884	VAULT, COIN (SINGLE) LU	10	1
12	23003974	VAULT, COIN MFR18/25	23	1
23	23003777	SUPPORT, COIN VAULT(MFR25)	10	1
24	23002425	WASHER, LOCK	10	1
25	23003774	WASHER 12	10	1
26	23002886	SCREW (M4X4)	10	1
27	23002423	SCREW (M4 X 10)	10	1
28	23002111	WASHER (4)	10	1
29	23002717	SCREW (M3 X 6)	10	1
30	23002461	SCREW (M6 X16)	10	1
32	23001545	WASHER	10	1
34	23001012	SCREW (M4 X 12 STNLS STEEL)	10	1
36	23003666	NUT (M4)	10	1
44 N	23002182	BOLT (M6X16)	10	1
45	23002455	NUT, RAPID (M6)	10	1

*Color Code (-)=Not Shown #=Series, Serial Prefix or Run No., N=Not Available

Section: TOP COVER AND SOAP BOX

Model: MFR25PDATS



CW13-20

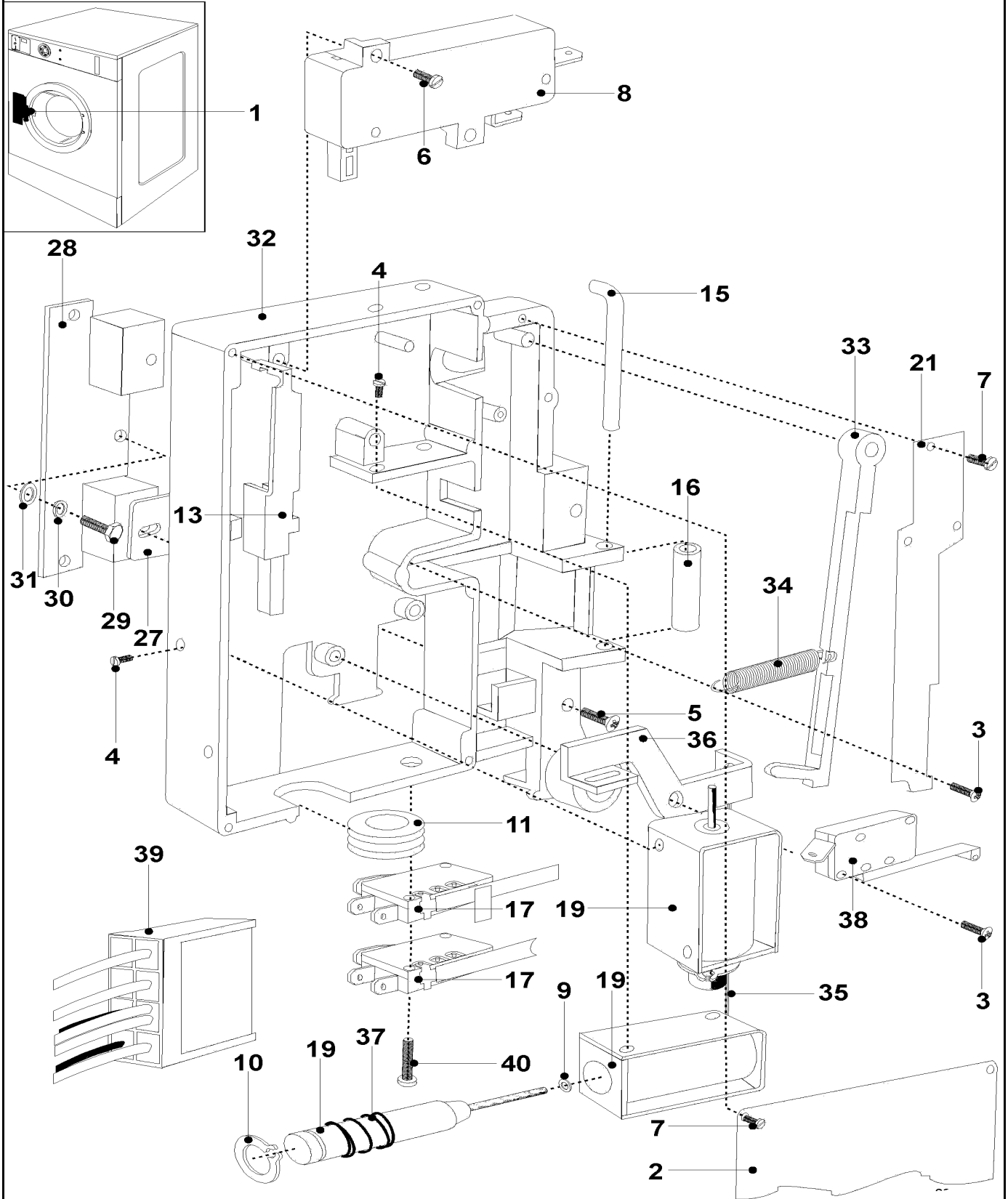
Section: TOP COVER AND SOAP BOX

No.	Part No.	Description	Series	Qty
1	23003780	COVER W/TWO LOCKS (MFR25)	10	1
2	23001003	RUBBER COVER, SOAP BOX	10	1
3	23003781	LACTH, SOAP HOPPER COVER	10	1
4	23001005	RUBBER HOSE, SOAP BOX	10	1
5	23001006	LOCK, TOP PANEL	10	2
6	23001007	WASHER, FIBER	10	2
7	23001008	LOCK NUT (LARGE)	10	2
8	23001009	LOCK HOOK (SHORT)	10	2
9	23001011	NUT	10	2
10	23001012	SCREW (M4 X 12 STNLS STEEL)	10	2
11	23002652	NUT (QTY OF 4 = 1 PIECE)	10	1
13	23001015	RUBBER SEAL, SOAP BOX	10	1
14	23001016	SOAP BOX HOUSING	10	1
15	23001017	SOAP BOX INSERT	10	1
16	23001018	SIPHON	10	1
17	23001019	TRAY	10	1
18	23001020	COVER, PLATE	10	1
19	23001021	DRAWER, PREWASH	10	1
20	23001022	DRAWER, MAIN WASH	10	1
21	23001023	DRAWER, LAST RINSE	10	1
22	23003782	SCREW 3 STAINLESS STEEL LU	10	3
23	23001025	CLAMP, HOSE (DIA 90/110)	10	1
24	23002461	SCREW (M6 X16)	10	4
25	23003012	WASHER LU	10	4
26	23002440	WASHER, SPRING LOCK (6)	10	4
27	23002894	SCREW (M5X15)	10	6
28	23001030	HINGE, TOP COVER	10	2
29	23001031	HINGE SHAFT (10 X 56 BRASS)	10	2
30	23001032	CLAMP, SRV	10	2
31	23001033	RIVETS, BLIND (DIA. 3.2 X 8)LU	10	4
32	23002436	NUT (M6)	10	4
33	23001550	LABEL, EARTH	10	1
34	23003783	SCREW 2	10	4

*Color Code (-)=Not Shown #=Series, Serial Prefix or Run No., N=Not Available

Section: DOOR LOCK

Model: MFR25PDATS



CW21-154

Section: DOOR LOCK

No.	Part No.	Description	Series	Qty
1	Y23002897	LOCK, DOOR (COMPLETE)	10	1
2	23001130	PLATE, COVER (STNLS STEEL)	10	1
3	23003115	SCREW (M3X14)	10	2
4	23002869	SCREW (M3X6)	10	2
5	23003784	BOLT M5X25 STS STL	10	1
6	23003114	SCREW (M4X8) LU	10	1
7	23003113	SCREW (M3X6)	10	4
8	23001135	BIMETAL, ACTUATOR (230V)	10	1
9	23001136	WASHER (DIA. 5.1 X 3.3 X 0.1)	10	1
10	23001137	RING, RETAINING (G10)	10	1
11	23001138	BUSHING, CABLE PASSAGE	10	1
13	23001140	BAR, LOCKING	10	1
15	23001142	RETAINER, LOCK TUBE (DIA.4X45)	10	1
16	23001143	LOCK TUBE (DIA. 4X23.5 STNLS)	10	1
17	23001144	MICROSWITCH, SHORT LEVER	10	1
19	23001146	COIL (240V)	10	1
19	23001147	COIL (120V)	10	1
21	23001149	LEAF SPRING, LATCH BAR	10	1
27	23001155	SHIM	10	3
28	23001156	SPACER, LOCK	10	1
29	23002422	SCREW (M6 X 12)	10	3
30	23002440	WASHER, SPRING LOCK (6)	10	3
31	23002424	WASHER	10	3
32	Y23002898	GROUND, PLATE LOCK	10	1
33	23002899	HANDLE, LOCKING PART	10	1
34	23002900	SPRING, LOCKING PART	10	1
35	23002901	CORD, OPENING	10	1
36 N	23002902	LEVEL, OPENING	10	1
37	23002903	SPRING, LOCKING PART	10	1
38	23002337	MICROSWITCH W/ ROLLER ARM	10	1
39	23002905	WIRING, DOOR LOCK	10	1
40	23002906	SCREW (M3X25)	10	1

*Color Code (-)=Not Shown #=Series, Serial Prefix or Run No., N=Not Available

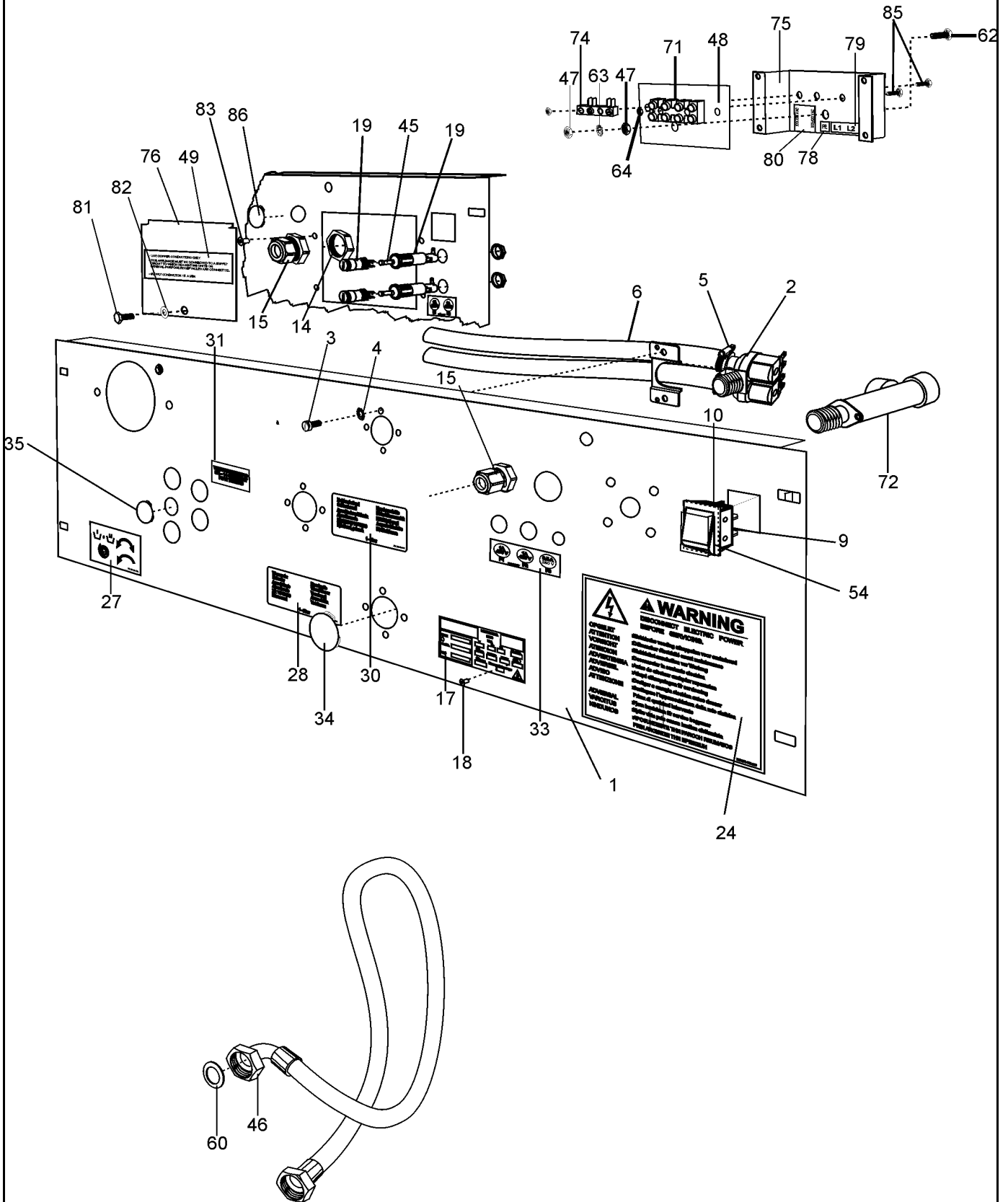
Section: DRAIN AND HOSE ASSY

No.	Part No.	Description	Series	Qty
1	23001244	VALVE, DRAIN (240V-50/60HZ)	10	1
2	23002907	TUB, OUTLET VALVE HOSE	10	1
3	23001246	HOSE, BOTTOM FILL	10	1
5	23001247	HOSE, AIR DOME (30 CM)	10	1
6	23001248	HOSE, DRAIN	10	1
7	23001250	HOSE, AIR VENT	10	1
8	23001251	HOSE, OVERFLOW	10	1
9	23001251	HOSE, OVERFLOW	10	1
10	23001252	HOSE, WATER LEVEL SWITCH	10	1
11	23001253	DRAIN TEE	10	1
12	23001254	AIR VENT HOSE, SOAP BOX	10	1
13	23001255	TEE, OVERFLOW HOSE	10	1
14	23001256	CLAMP, HOSE (60-80)	10	1
15	23001257	CLAMP, CORBIN (A5.5)	10	1
16	23001258	CLAMP, HOSE (70-90)	10	4
17	23001259	CLAMP, CORBIN (A17.5)	10	3
18	23001260	BUSHING, AIR DOME HOSE	10	1
19	23001261	CLAMP, HOSE (32-50)	10	4
20	23001262	CLAMP, HOSE (20-32)	10	1
21	23002437	WASHER (M8)	10	8
22	23002475	BOLT (M8X20)	10	4
23	23002439	WASHER, SPRING LOCK (8)	10	4
24	23003766	NUT M8	10	4
25	23002908	SCREW (M8X120)	10	4
26	23002015	ELBOW (90 DEGREE)	10	1
27	23003769	WASHER M8	10	1

*Color Code (-)=Not Shown #=Series, Serial Prefix or Run No., N=Not Available

Section: WATER VALVE AND REAR PANEL

Model: MFR25PDATS



CW21-156

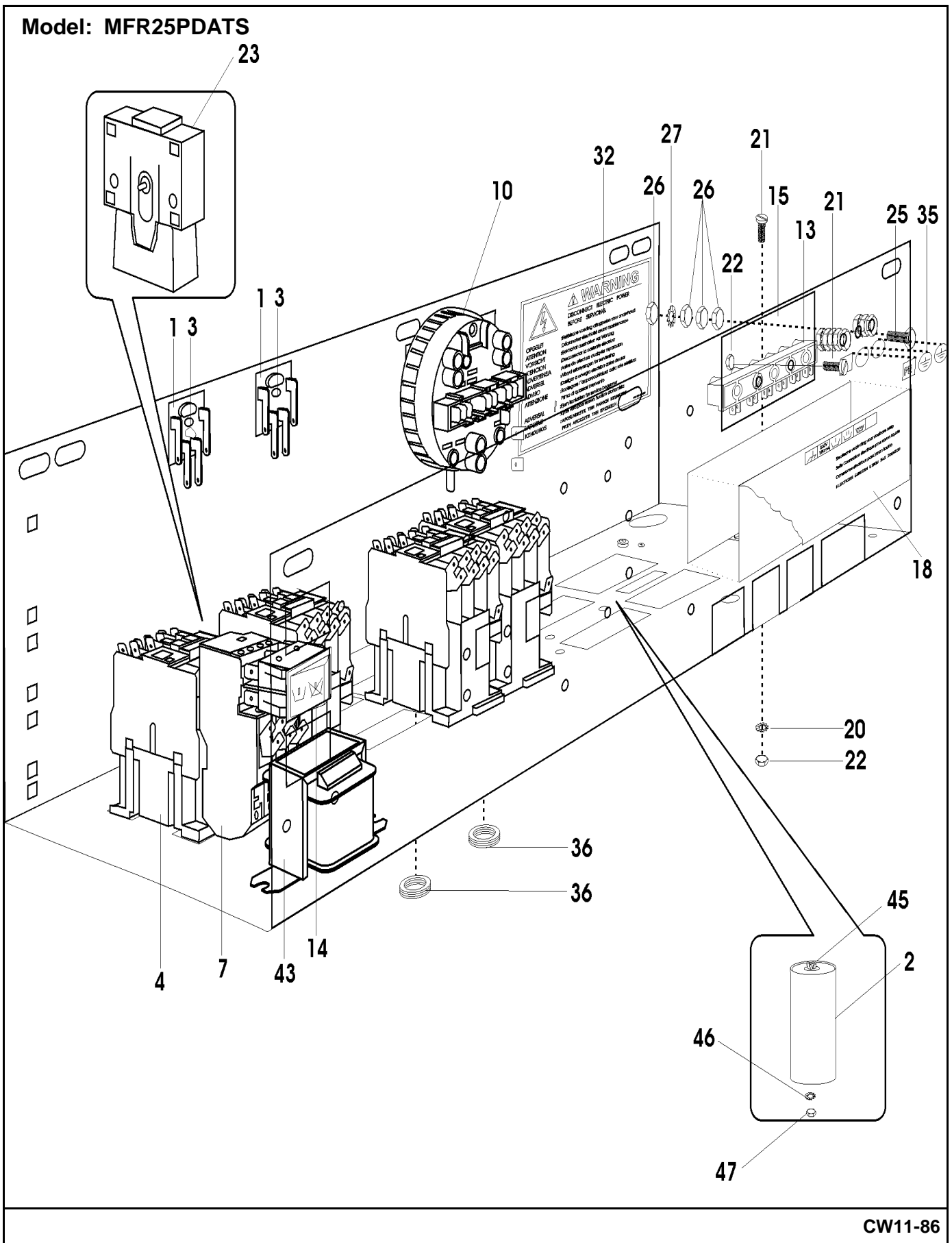
Section: WATER VALVE AND REAR PANEL

No.	Part No.	Description	Series	Qty
1	23003658	BRIDGE, REAR	10	1
2	23001455	VALVE, TWO WAY (220V 50/60HZ)	10	3
3	23002423	SCREW (M4 X 10)	10	4
4	23002111	WASHER (4)	10	4
5	23001506	CLAMP, HOSE	10	21
6	23001507	WATERHOSE (GREEN)	10	3
9	23001529	BUTTON (RAPID ADVANCE)	10	1
10	23001452	PLUG (WHT)	10	1
14	23002197	NUT	10	3
15	23002196	SWIVEL, CABLE	10	3
18	23002187	BOLT, FIRING (3.2X7.9)	10	6
19	23001462	HOLDER, FUSE	10	2
24	23001465	STICKER, ELECTRICITY WARNING	10	1
27	23001468	STICKER, SPIN DIRECTION	10	1
28	23001469	STICKER, HOT WATER	10	1
30	23001470	STICKER, COLD HARD WATER	10	1
31	23001509	STICKER, PIPE THREAD	10	1
33 N	23001474	STICKER (2A)	10	1
33 N	23001473	STICKER (1A)	10	1
35	23001476	PLUG, WATER INLET	10	5
45	23001508	FUSE (1A)	10	2
45	23001463	FUSE (2A)	10	2
46	23001523	HOSE, CONNECTION	10	6
47	23002651	NUT (M6)	10	4
48	23003800	INSULATION	10	1
49 N	23002913	LABEL, TERMINAL	10	1
54	23001532	COVER, BUTTON (PLASTIC)	10	1
60	23002921	WASHER, FILL HOSE	10	1
62	23002806	SCREW (M6 X 25)	10	10
63	23002425	WASHER, LOCK	10	6
64	23003666	NUT (M4)	10	6
71	23002923	BOARD, TERMINAL	10	1
72	23002924	T-PART (3/4)	10	1
74	23002154	BOARD, TERMINAL (6 POLES)	10	6
75	23003803	BOX, TERMINAL	10	1
76	23003661	TERMINAL COVER LU	10	1
78 N	23002913	LABEL, TERMINAL	10	1
79	23003801	PHASE STICKER	10	1
80	23003802	SUPPLY LABEL	10	1
81	23002422	SCREW (M6 X 12)	10	8
82	23002424	WASHER	10	8
83	23001033	RIVETS, BLIND (DIA. 3.2 X 8)LU	10	4
85 N	23002807	SCREW (M4 X 20)	10	6
86	23003785	PLUG	10	2

*Color Code (-)=Not Shown #=Series, Serial Prefix or Run No., N=Not Available

Section: MAIN CONTROL

Model: MFR25PDATS



CW11-86

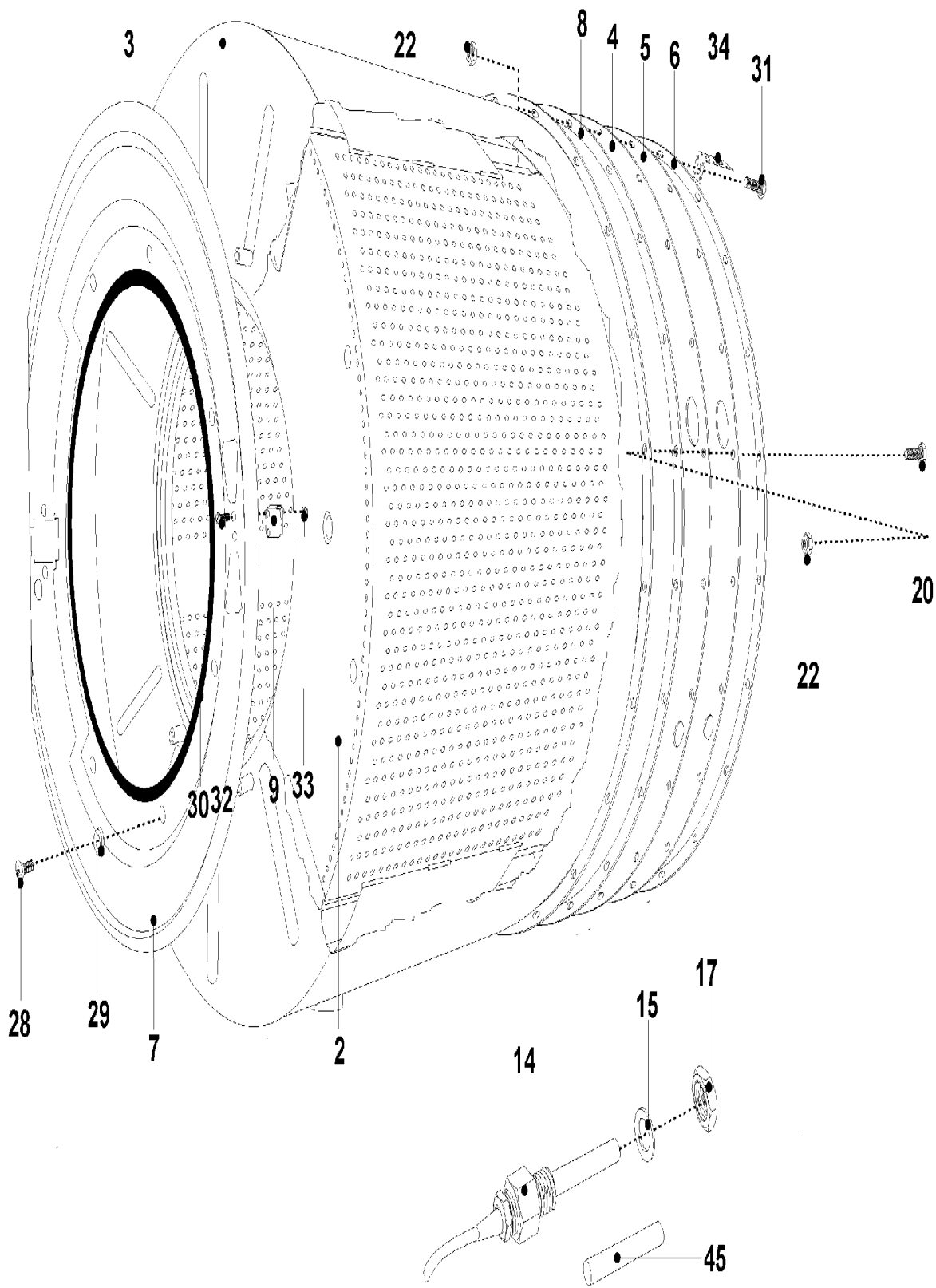
Section: MAIN CONTROL

No.	Part No.	Description	Series	Qty
1	23001094	BRIDGE, RECTIFIER	10	1
2	23001095	CAPACITOR (80MF)	10	1
2	23001358	CAPACITOR (30MF)	10	1
3	23001099	PC BOARD SOCKET	10	1
4	23001101	CONTACTOR (LC1-D1201 M7)	10	1
4	23001100	CONTACTOR (LC1-D0901 M7)	10	1
7	23002101	RELAY, OVERLOAD (LR2-D1312)	10	1
10	23001513	SWITCH, WATER LEVEL	10	1
10	23003748	SWITCH, WATER LEVEL	20	1
13	23002154	BOARD, TERMINAL (6 POLES)	10	1
14	23001114	ROCKER SWITCH, PREWASH/NO PREW	10	1
15	23001115	INSULATION PAPER	10	1
18	23001118	STICKER, LIQUID SOAP	10	1
20	23002111	WASHER (4)	10	1
21	23002398	SCREW (M4X16)	10	3
22	23003666	NUT (M4)	10	1
23	23003762	MECHANICAL INTERLOCK	10	1
25	23002806	SCREW (M6 X 25)	10	3
26	23002651	NUT (M6)	10	18
27	23002425	WASHER, LOCK	10	6
32	23001465	STICKER, ELECTRICITY WARNING	10	1
35	23002505	PLATE, EARTH	10	1
36	23001138	BUSHING, CABLE PASSAGE	10	2
45	23003668	RESISTOR	10	1
46	23003675	WASHER (M12)	10	1
47 N	23003670	NUT (M12)	10	1

*Color Code (-)=Not Shown #=Series, Serial Prefix or Run No., N=Not Available

Section: BASKET AND OUTER SHELL

Model: MFR25PDATS



CW21-158

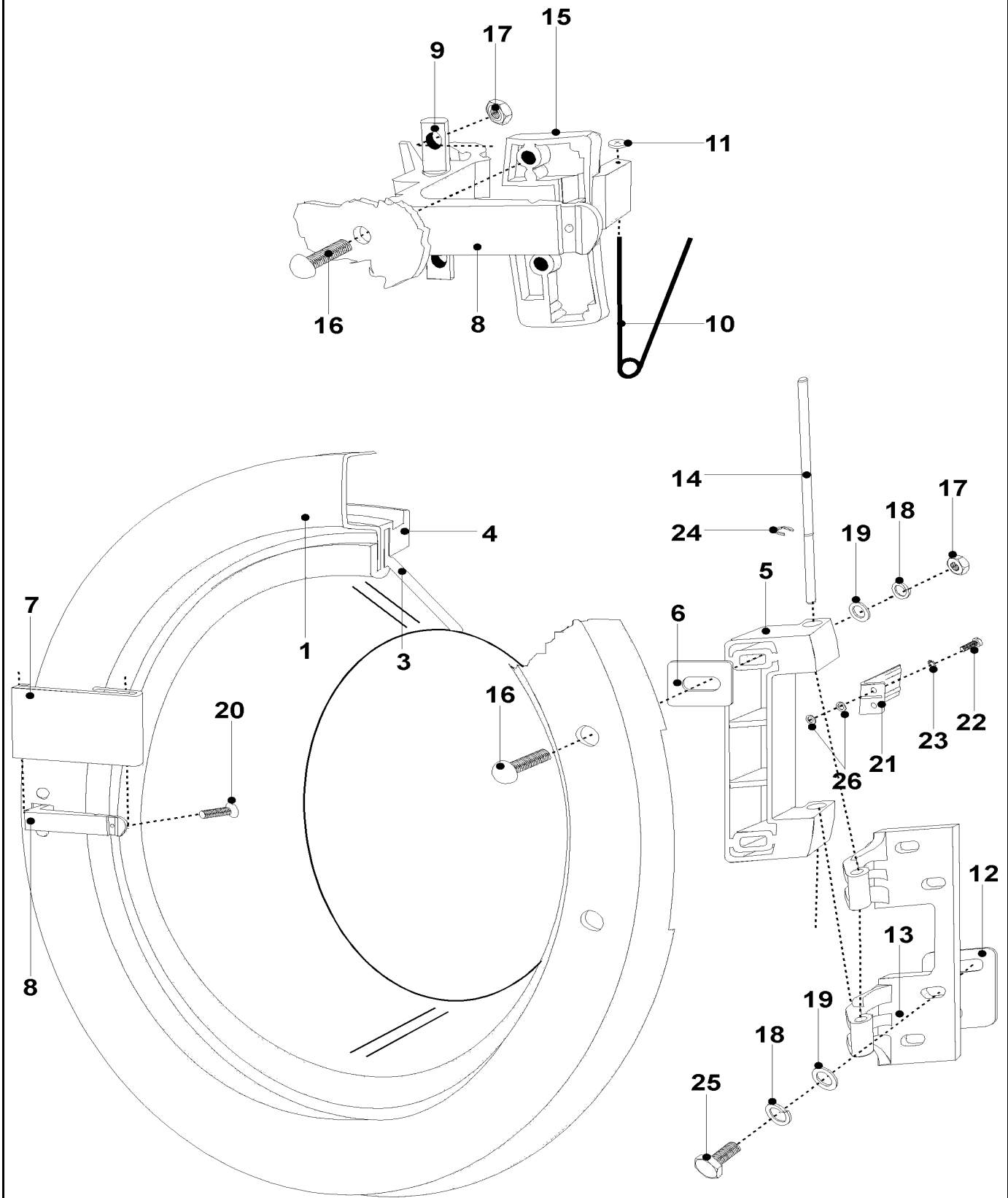
Section: BASKET AND OUTER SHELL

No.	Part No.	Description	Series	Qty
2	23003749	DRUM/SHAFT	20	1
2	23003336	DRUM/SHAFT	10	1
3	23003812	TUB (ROUND DOOR) (MFR25)	10	1
4	23003790	PLATE BASE WITHOUT/HOLES	10	1
5	23001383	PLATE, BACK (IRON)	10	1
6	N 23003343	RING	10	1
7	N 23001385	SHIELD	10	1
8	23001387	GASKET, SHELL (REAR)	10	1
9	23001200	HINGE, MIRCO SWITCH	10	1
14	23003807	HOLDER THERMOSTAT SENSOR	10	1
15	23002179	WASHER	10	1
17	23002936	NUT, SENSOR BUSHING	10	1
20	23002646	SCREW (M8 X 40)	10	1
22	23001607	NUT (M8)	10	1
28	23002617	SCREW (M4X8)	10	1
29	23001204	WASHER, FINISHING (DIA. 5)	10	1
30	23002473	RUBBER, PROTECTIVE	10	1
31	23003765	BOLT M8X35	10	1
32	23002398	SCREW (M4X16)	10	1
33	23003666	NUT (M4)	10	1
34	23003791	PLATE,MOTOR WIRING FIXATION	10	1
37	23003792	PLUG 6 DIAM.	10	1

*Color Code (-)=Not Shown #=Series, Serial Prefix or Run No., N=Not Available

Section: DOOR

Model: MFR25PDATS



CW10-63

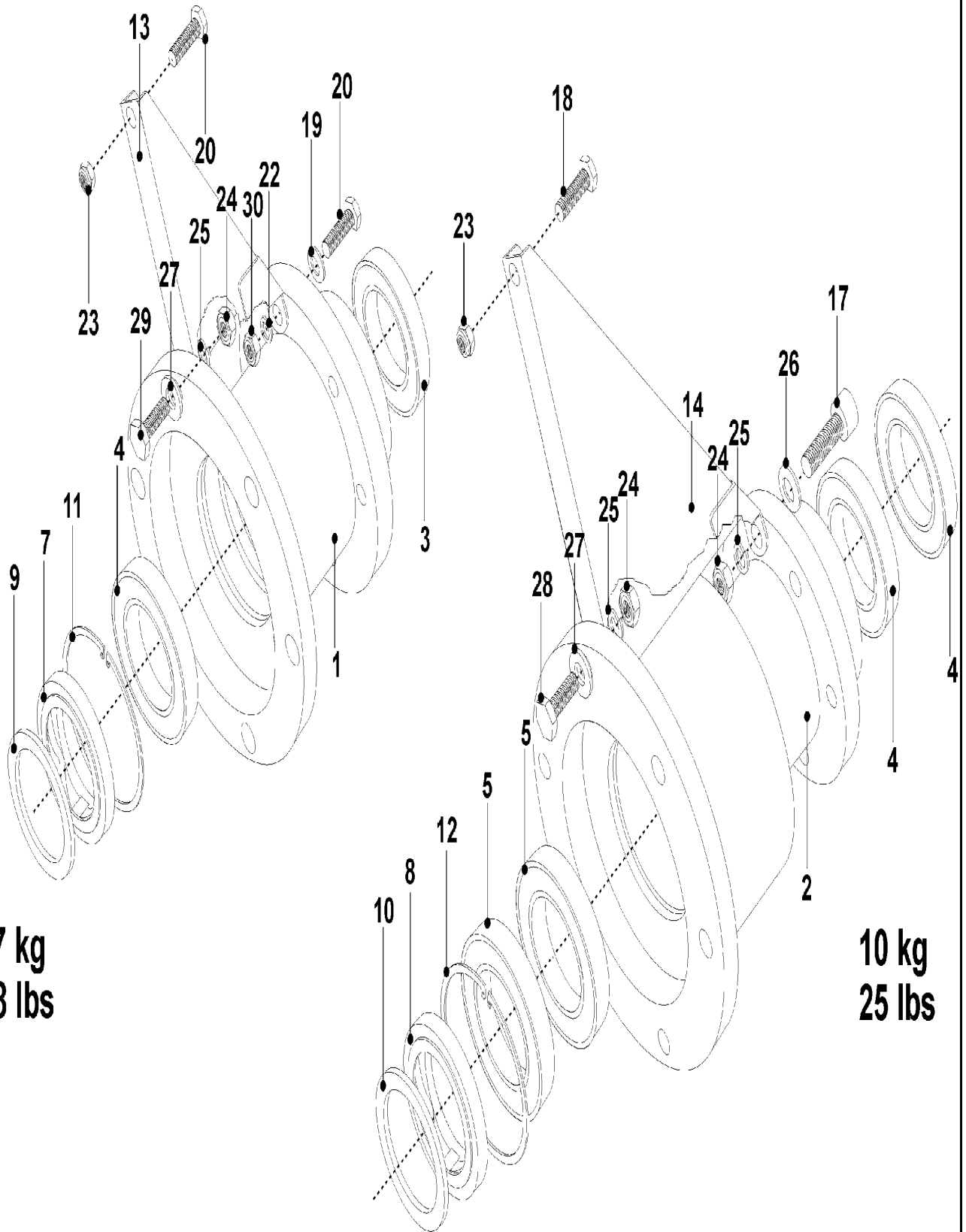
Section: DOOR

No.	Part No.	Description	Series	Qty
1	23001363	RING, DOOR	10	1
3	23001364	GLASS, DOOR	10	1
4	23001365	RUBBER, DOOR GLASS	10	1
5	23001366	PLATE, HINGE	10	1
6	23001166	SHIM, HINGE PLATE	10	1
7	23003700	HANDLE, DOOR ASSEMBLY	10	1
8	23003633	LEVER, DOOR	10	1
9	23001168	SHAFT, LEVER	10	1
10	23001169	SPRING, HANDLE LEVER	10	1
11	23002499	WASHER	10	1
12	23001368	SHIM, HINGE BASE	10	1
13	23001369	PIN, DOOR LOCK	10	1
14	23001172	SHAFT, DOOR HINGE	10	1
15	23001370	HANDLE, LEVER PLATE	10	1
16	23001175	SCREW (M6X20 STAINLESS STEELLU	10	3
17	23002280	NUT (M6)	10	3
18	23002130	WASHER (6)	10	6
19	23002424	WASHER	10	6
21	23001373	MICROSWITCH, ACTIVATING PLATE	10	1
22	23001781	BOLT (M4X10)	10	1
23	23002111	WASHER (4)	10	1
24	23001181	RETAINING RING (DIA. 8)	10	1
25	23002279	BOLT (M6X20)	10	2
26	23003794	WASHER	10	2

*Color Code (-)=Not Shown #=Series, Serial Prefix or Run No., N=Not Available

Section: TRUNNION AND BEARING

Model: MFR25PDATS



6/7 kg
15/18 lbs

10 kg
25 lbs

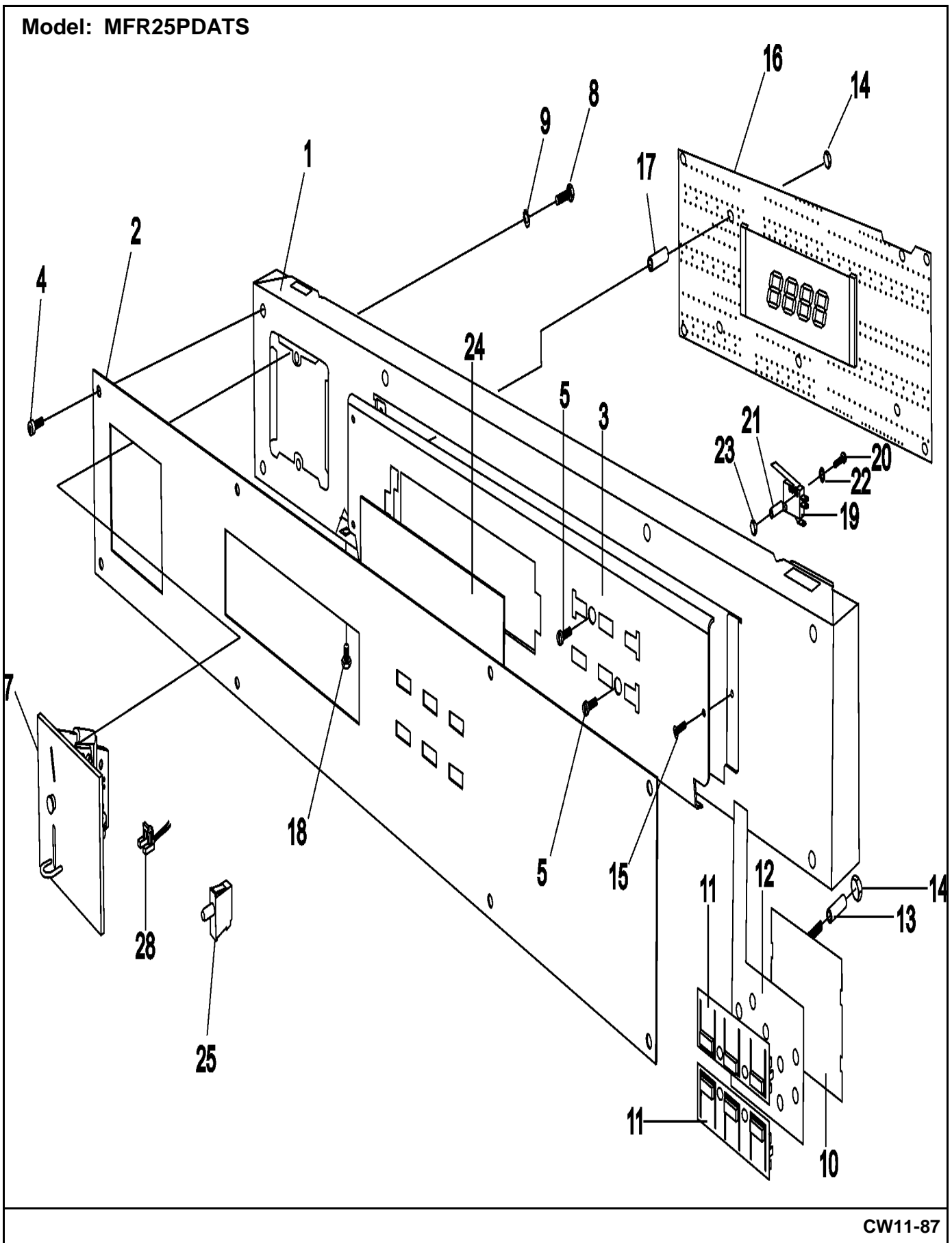
Section: TRUNNION AND BEARING

No.	Part No.	Description	Series	Qty
2	23003552	HOUSING, BEARING	10	1
4	23001232	BEARING (REAR)	10	1
5	23001231	BEARING (6209 2RS C3)	10	2
8	23001234	SEAL, WATER	10	1
10	23001233	RING, SEAL	10	1
12	23001235	RING, INTERNAL SNAP	10	1
14	23003553	SPOKE	10	3
17	23003808	BOLT M 10X40	10	6
18	23002646	SCREW (M8 X 40)	10	3
24	23003764	NUT M10	10	12
25	23002654	WASHER (10)	10	12
26	23003788	WASHER	10	6
27	23001201	WASHER (DIA. 22X11X1 BRASS)	10	6
28	23002940	SCREW (M10X35)	10	6

*Color Code (-)=Not Shown #=Series, Serial Prefix or Run No., N=Not Available

Section: CONTROL PANEL

Model: MFR25PDATS



CW11-87

Section: CONTROL PANEL

No.	Part No.	Description	Series	Qty
1	23003636	PANEL, CONTROL (18/25)	10	1
2	23003722	FACIA, CONTROL PANEL MFR25	18	1
2	23003640	FACIA (25)	10	1
3	23003809	PROGRAM, HOLDER	10	1
4	23003810	SCREW	10	4
5	23001372	SCREW (M4 X 8 STNLS STEEL)	10	2
7	23003644	COIN DROP	10	1
8	23002465	WASHER, LOCK	10	2
9	23003797	BOLT	10	2
10	23003645	HOLDER	10	1
11	23003646	BUTTONS, ROW OF 3	10	2
12	23003647	SWITCH, MEMBRANE	10	1
13	23003648	TUBE	10	2
14	23003649	LOCKNUT, WASHERED	10	2
15	23003811	SCREW	10	4
16	23003650	ACCU TRAC CONTROL BOARD	10	1
17	23003651	TUBE	10	4
19	23001145	MICROSWITCH, LONG LEVER	10	1
20	23003652	SCREW, SWITCH	10	2
21	23003653	TUBE	10	2
22	23003654	WASHER (M3)	10	2
23	23002958	NUT (M3)	10	2
24	23003655	COVER, DISPLAY LU	10	1
25	23003656	SWITCH, COIN BOX	10	1
26	23003657	SENSOR, OPTIC	10	1

*Color Code (-)=Not Shown #=Series, Serial Prefix or Run No., N=Not Available

