

PARTS LIST

for

MAYTAG[®]

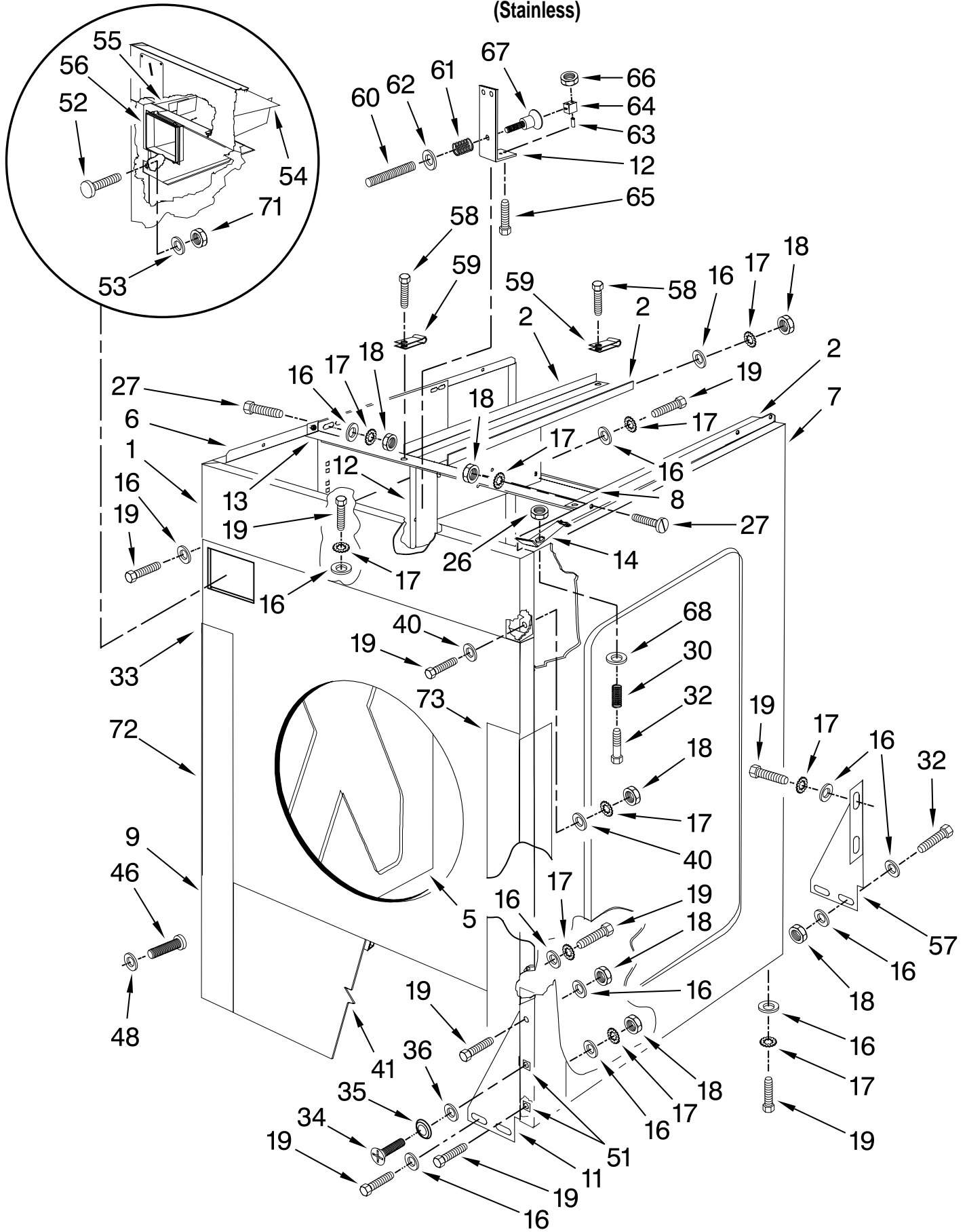
**COMMERCIAL
INDUSTRIAL WASHER**

MODEL NO.(S)

MFS35PDFTS

CABINET AND COIN BOX PARTS

For Model: MFS35PDFTS
(Stainless)



FOR ORDERING INFORMATION REFER TO PARTS PRICE LIST

CABINET AND COIN BOX PARTS

For Model: MFS35PDFTS

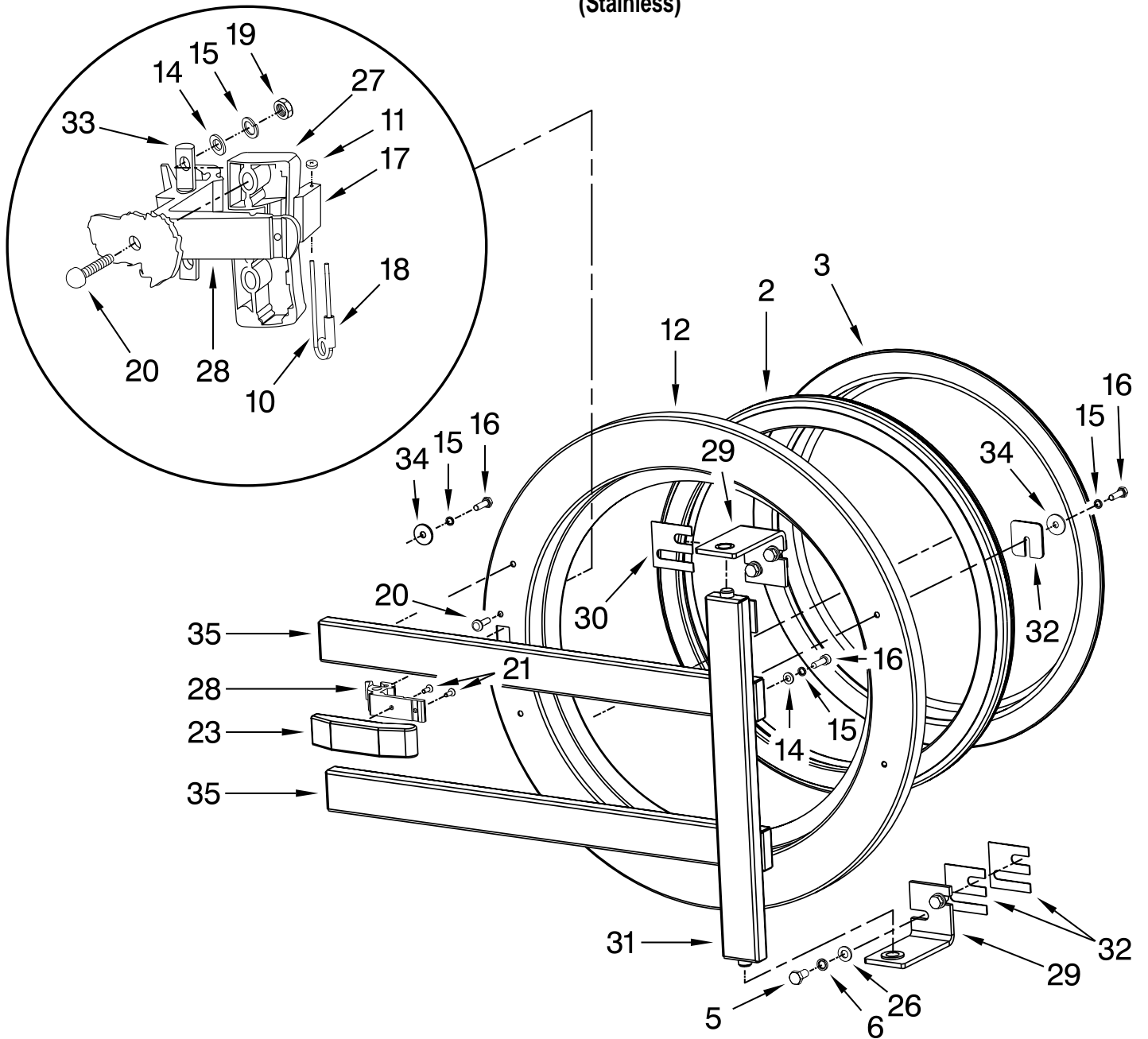
(Stainless)

Illus. No.	Part No.	DESCRIPTION	Illus. No.	Part No.	DESCRIPTION	Illus. No.	Part No.	DESCRIPTION
1	23004302	Control Panel Coin	27	23003301	Bolt M6X16	58	23004480	Screw ST4.8X13
2	23004469	Front To Back Reinforcement	30	23001445	Top Clip Spring	59	23004481	Harness Clip
5	W10427067	Sound Pad	32	23002463	Bolt M6X30	60	23003901	Large Balance Switch Spring
6	23004470	Left Side Panel	33	W10357112	Front Panel Coin	61	23003900	Small Balance Switch Spring
7	23004471	Right Side Panel	34	23003478	Bolt M6X50	62	23002504	Washer M4
8	23004472	Rear Panel	35	23002457	Washer M6	63	23003902	Spacer M7X10
9	23004473	Service Panel	36	23002458	Washer M15X7X2	64	23003899	Out Of Balance Switch
11	23004474	Front Cabinet Stiffner	40	23002756	Washer M6	65	23002906	Bolt M3X25
12	23004475	Out Of Balance Plate	41	W10427075	Panel, Service Complete	66	23002958	Nut M3
13	23004476	Top Cabinet Stiffner	46	23004095	Bolt M4X16	67	23003904	Balance Switch Spring Holder
14	23001442	Top Clip	48	23002438	Washer M4.3	68	23001027	Washer M6
16	23001309	Washer M6.4X17X3	51	23002455	Nut M6	71	23001014	Nut M4
17	23002756	Lock Washer M6	52	23004095	Bolt M4X16	72	W10427069	Front Cover, LH
18	23001312	Nut M6	53	23002504	Washer M4	73	W10427074	Front Cover, RH
19	23002461	Bolt M6X16	54	23003776	Coinbox Support			
26	23001310	Nut M6	55	23003974	Vault Assembly			
			56	23003775	Vault Front Bezel			
			57	23004478	Back Left Cabinet Stiffner			
				23004479	Back Right Cabinet Stiffner			

DOOR PARTS

For Model: MFS35PDFTS

(Stainless)



Illus. No.	Part No.	DESCRIPTION
2	W10292561	Door Seal
3	23004109	Door Glass
5	23002421	Screw M8x15
6	23002727	Washer
10	23001169	Door Handle Spring
11	23002499	Spring Speed Clip
12	W10286307	Door Frame
14	23002424	Washer M6
15	23001158	Lock Washer M6
16	23002462	Bolt M6X20

Illus. No.	Part No.	DESCRIPTION
17	23001173	Door Handle, Guide
18	W10304861	Spacer
19	23002280	Nut M6
20	23001175	Bolt M6X20 (Handle Side)
21	23004113	Bolt M4X12
23	23003860	Door Handle Cover
26	23001608	Washer M8
27	23001370	Door Handle Block w/Pin
28	23003858	Door Latch

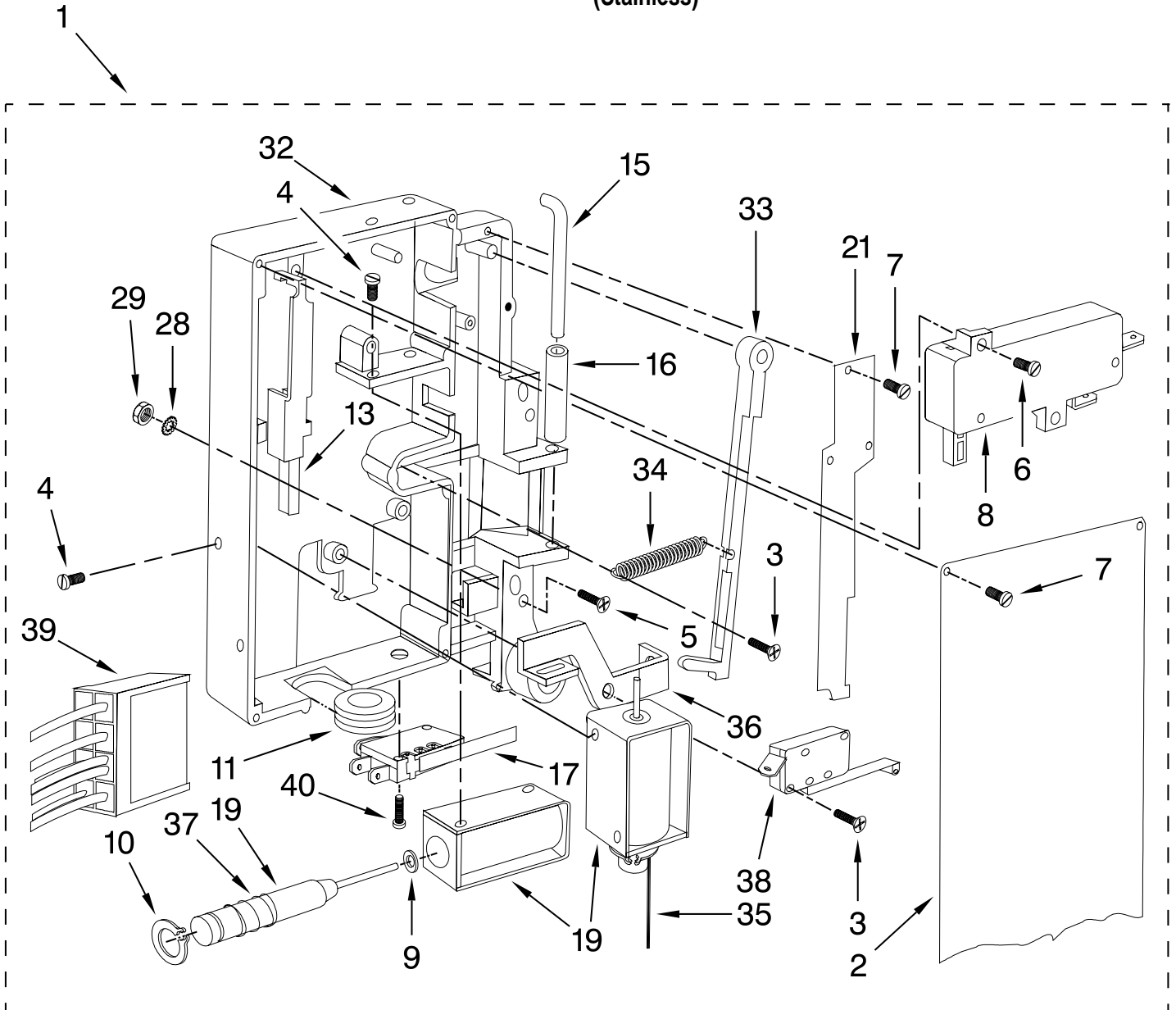
Illus. No.	Part No.	DESCRIPTION
29	W10286308	Hinge
30	W10304862	Shim
31	23003094	Brace, Vertical Door Beam
32	W10286310	Shim
33	23001168	Shaft, Lever
34	W10431220	Washer
35	W10286312	Brace, Horizontal Door Beam

FOR ORDERING INFORMATION REFER TO PARTS PRICE LIST

DOOR LOCK PARTS

For Model: MFS35PDFTS

(Stainless)



Illus. No.	Part No.	DESCRIPTION
1	Y23002897	Door Lock Complete
2	W10357120	Door Lock Cover Plate
3	23001131	Bolt M3X14
4	23002869	Bolt M3X6
5	23001133	Bolt M5X25
6	23003114	Bolt M4X8
7	23002869	Bolt M3X6
8	23001135	Bimetal Switch Assembly
9	23001136	Washer
10	23001137	Snap Ring
11	23001138	Rubber Grommet
13	23001140	Locking Bar
15	23001142	Latch Roller Pin

Illus. No.	Part No.	DESCRIPTION
16	23001143	Latch Roller
17	23001145	Door Closed Switch
19	23001146	Solenoid
21	23001149	Leaf Spring
28	23004485	Lock Washer M5
29	23004486	Nut M5
32	Y23002898	Door Lock Housing
33	23002899	Actuator Arm
34	23001148	Actuator Arm Spring
35	23001152	Emergency Opening Cord
36	23002902	Emergency Opening Lever
37	23002903	Solenoid Spring

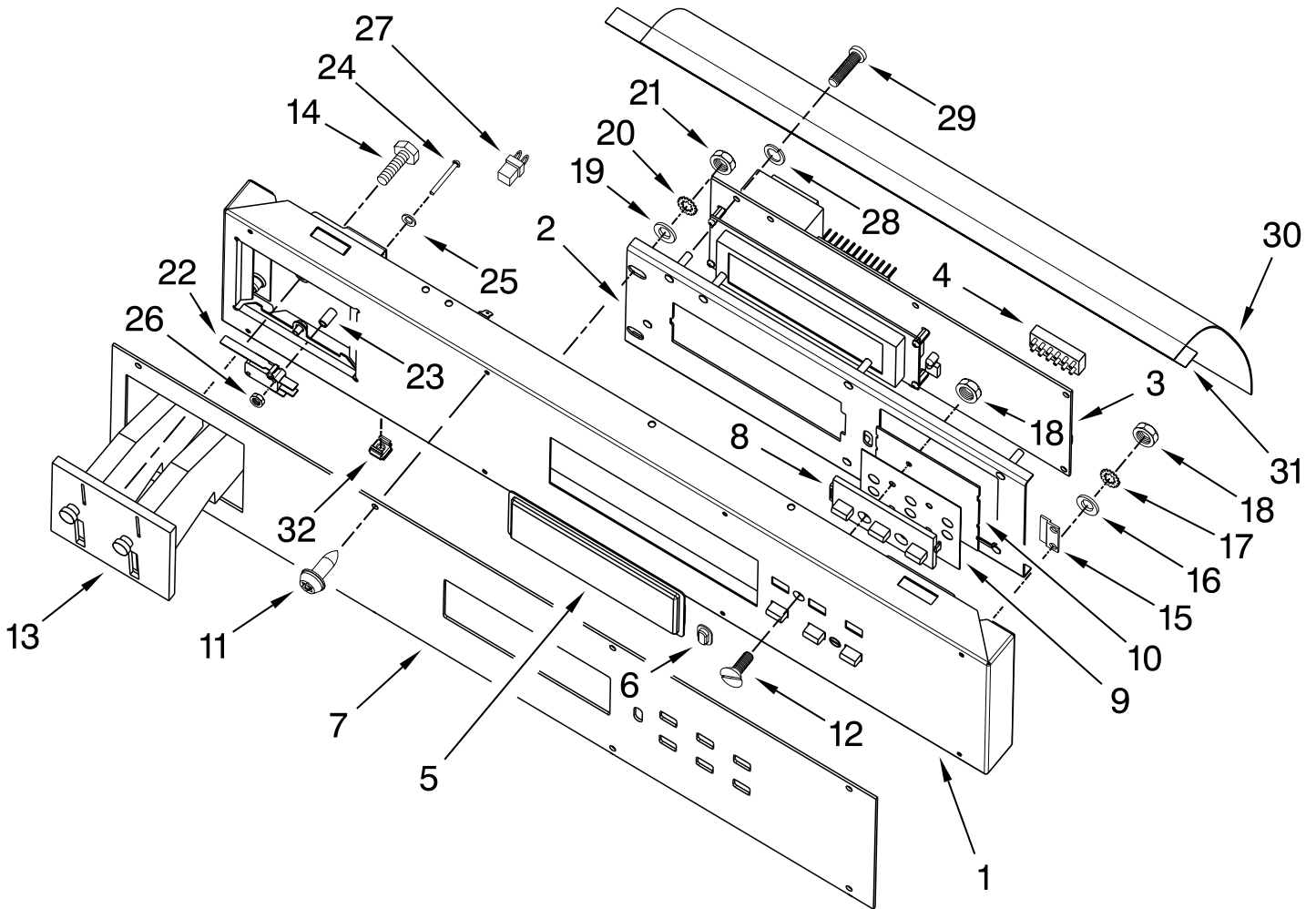
Illus. No.	Part No.	DESCRIPTION
38	23002337	Door Locked Switch
39	23002905	Door Lock Wire Harness MC4
	W10286305	Door Lock Wire Harness MC5 Starting with Series 22
40	23001131	Bolt M3X14
FOLLOWING PARTS NOT ILLUSTRATED		
	23003863	Microswitch Insulating Washer

FOR ORDERING INFORMATION REFER TO PARTS PRICE LIST

CONTROL PANEL PARTS

For Model: MFS35PDFTS

(Stainless)



Illus. No.	Part No.	DESCRIPTION
1	23004302	Control Panel
2	23004117	Control Board Bracket
3	23004118	MC4 Control Board
	W10343020	MC5 Control Board Starting with Series 22
4	W10165003	MC4 Coin Program Chip
	W10387042	MC5 Coin Program Chip Starting with Series 22
5	23004119	Display Lens
6	23004120	Infrared Lens
7	W10357117	Facia Panel
8	23003646	3 Button Assembly
9	23004122	Membrane Switch

Illus. No.	Part No.	DESCRIPTION
10	23004123	Membrane Switch Plate
11	23003810	Screw M4X13
12	23003793	Screw M4X12
13	23004124	Coin Drop (.25 Cent)
	23004075	Dual Coin Drop (Canada)
	23004167	Optic Switch
14	23003797	Retaining Bolt
15	23004125	Z Clip
16	23002438	Washer M4.3
17	23002865	Lock Washer M4
18	23001014	Nut M4
19	23002756	Washer M6.4
20	23002756	Lock Washer M6
21	23001312	Nut M6
22	23001145	Service Switch

Illus. No.	Part No.	DESCRIPTION
23	23003653	Spacer
24	23003652	Bolt M3X30
25	23003654	Washer M3.2
26	23002958	Nut M3
27	W10357118	Emergency Stop Connector
28	23002865	Lock Washer M3
29	23002869	Bolt M3X6
30	23002877	Rain Shield
31	23004126	Double-Sided Tape
32	23002455	Cage Nut M6

FOLLOWING PARTS NOT ILLUSTRATED

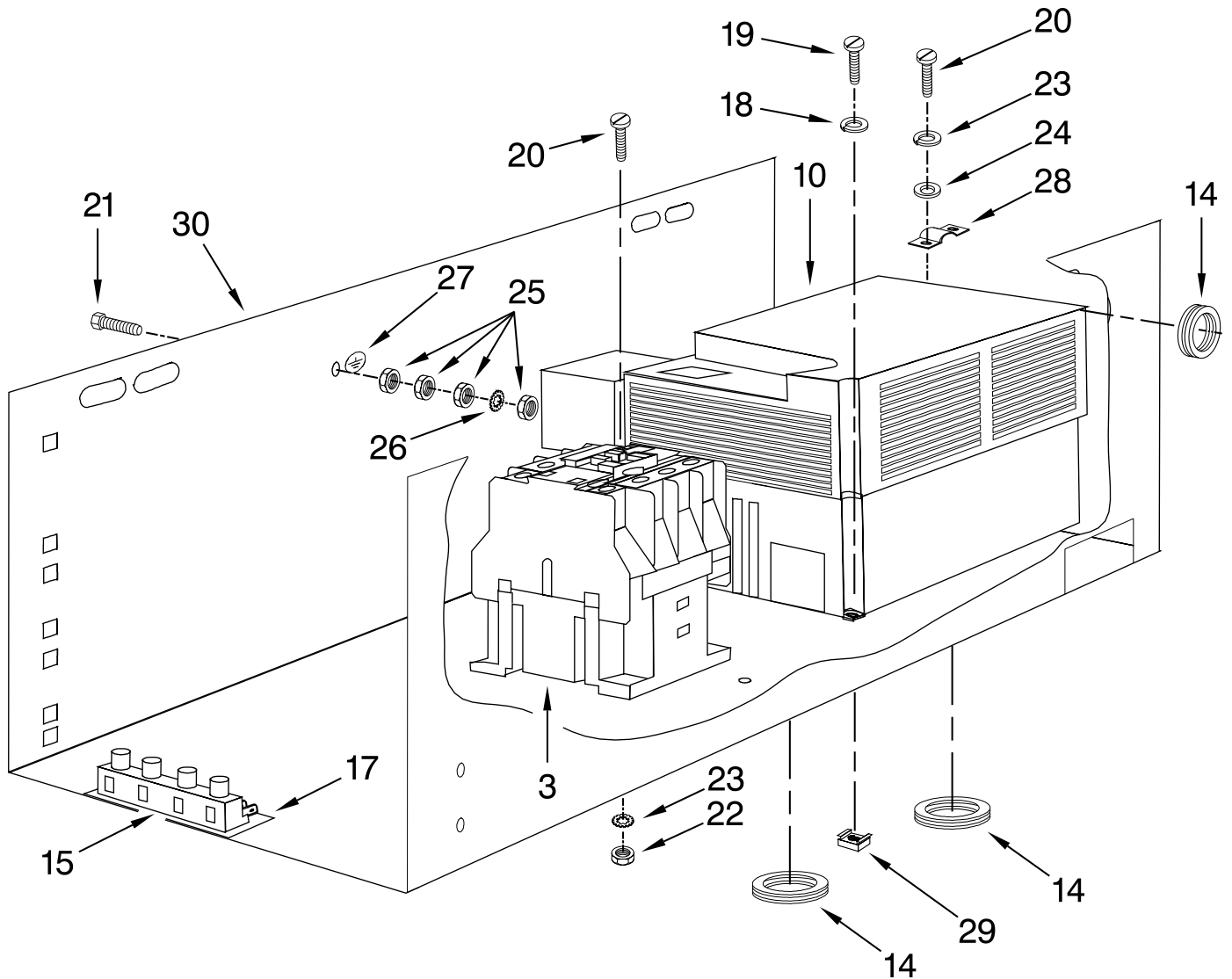
W10357119 Coin To OPL Conversion Kit

FOR ORDERING INFORMATION REFER TO PARTS PRICE LIST

BOX OF ELECTRICAL COMPONENTS

For Model: MFS35PDFTS

(Stainless)



Illus. No.	Part No.	DESCRIPTION
3	23003750	Frequency Inverter Contactor
10	23004080	Frequency Inverter Starting with Series 22
	W10415771	Communication Cable
	W10357136	Fan, Inverter Freq
14	23001117	Rubber Grommet
15	23001113	Terminal Block
17	23001115	Terminal Block Insulation

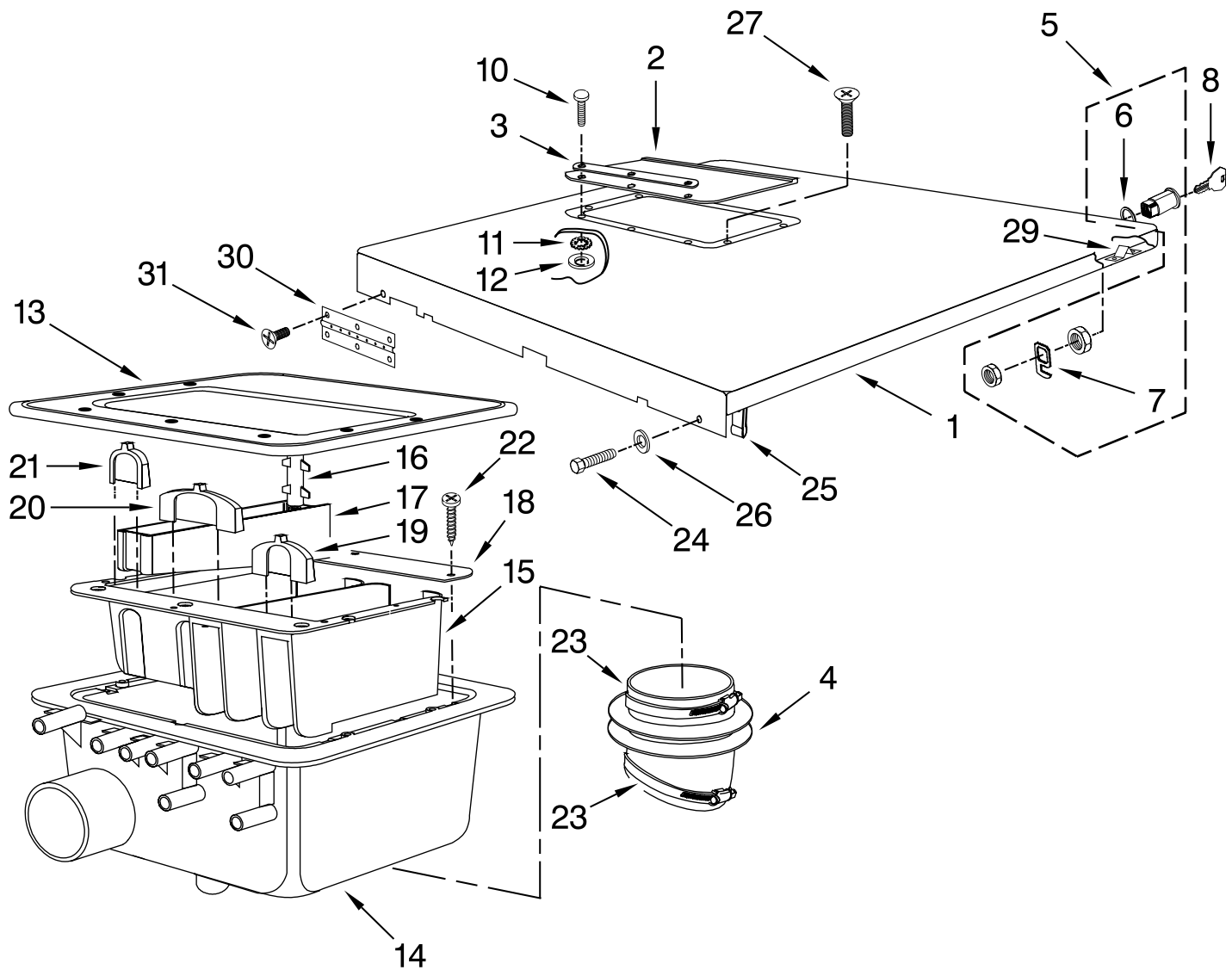
Illus. No.	Part No.	DESCRIPTION
18	23001708	Washer M5
19	23004497	Bolt M5X16
20	23001089	Bolt M4X16
21	23002806	Bolt M6X25
22	23001014	Nut M4
23	23002865	Washer M4
24	23002504	Washer M4
25	23001312	Nut M6
26	23001734	Washer M6
27	23002505	Ground Label
28	23004094	U-Clip

Illus. No.	Part No.	DESCRIPTION
29	23001448	Nut M5
30	23004386	Controls Mounting
FOLLOWING PARTS NOT ILLUSTRATED		
	23004163	Door Lock Harness
	23003991	Main Harness
	W10357137	Main Harness Starting with Series 22

FOR ORDERING INFORMATION REFER TO PARTS PRICE LIST

SOAP HOPPER AND TOP COVER PARTS

For Model: MFS35PDFTS
(Stainless)



Illus. No.	Part No.	DESCRIPTION
1	W10357121	Top Cover Complete
2	23001003	Dispenser Cover
3		Dispenser Cover Retainer
4	23004187	Hopper To Tub Hose
5	23001006	Top Cover Lock
6	23001007	Top Lock Cam
7	23001009	Top Lock Hook
8	23002673	Lock Key
10	23001012	Bolt M4X12
11	23001013	Lock Washer M4
12	23002652	Nut M4

Illus. No.	Part No.	DESCRIPTION
13	23001015	Soap Hopper Gasket
14	23001016	External Soap Hopper
15	23001017	Soap Hopper Insert
16	23001018	Syphon Hose
17	23001019	Fabric Softner Insert
18	23001020	Insert Retainer
19	23001021	Prewash Diverter
20	23001022	Mainwash Diverter
21	23001023	Fabric Softner Diverter

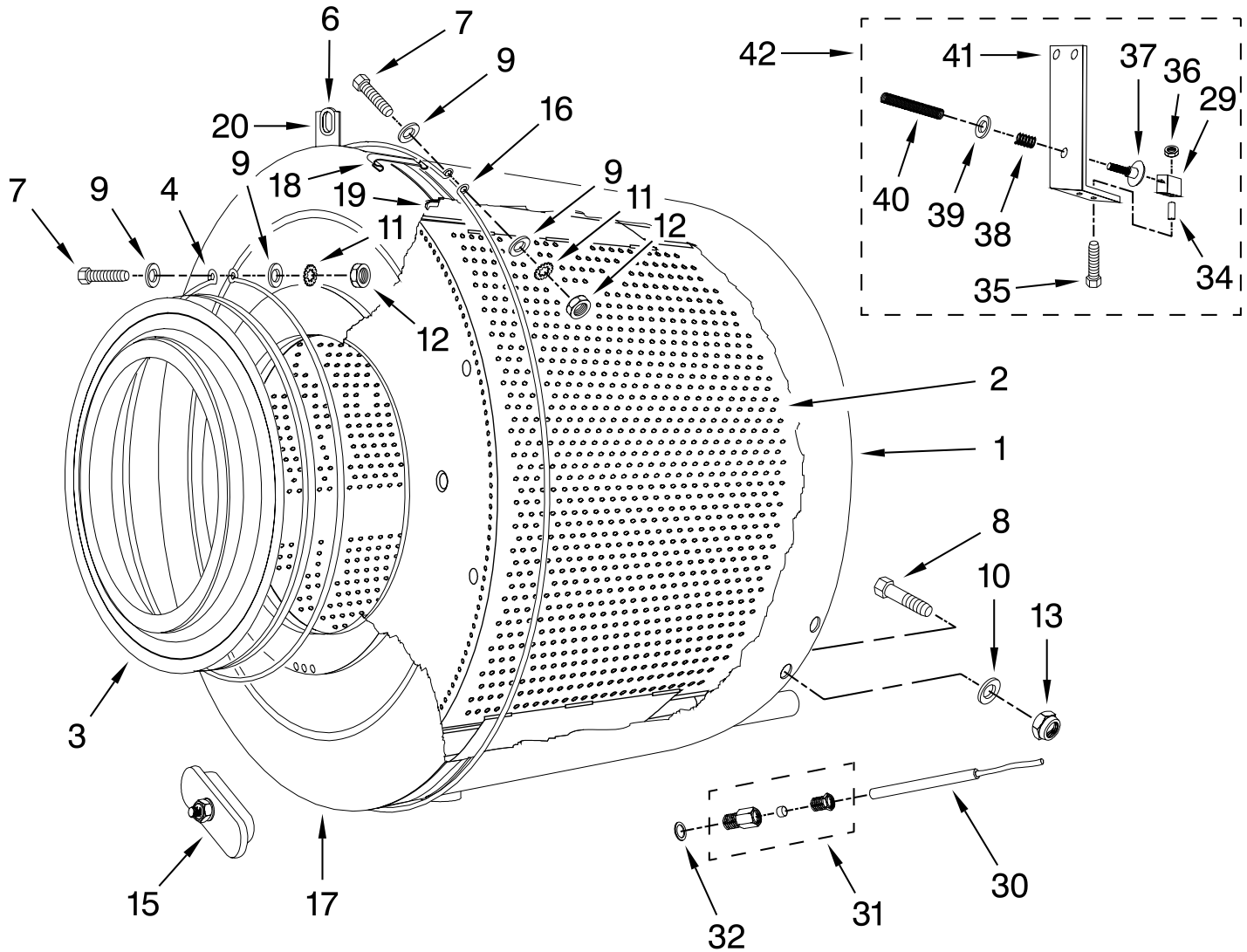
Illus. No.	Part No.	DESCRIPTION
22	23003782	Screw ST3.5X25
23	23001025	Hose Clamp
24	23004488	Screw St4.8X25
25	23004481	Speed Nut
26	23002756	Washer M6
27	23003484	Bolt M5X16
29	23001032	Spring Clip (Included with Illustration # 1)
30	23004103	Hinge (Included with Illustration # 1)
31	W10304856	Bolt M4x12

FOR ORDERING INFORMATION REFER TO PARTS PRICE LIST

TUB AND DRUM PARTS

For Model: MFS35PDFTS

(Stainless)



Illus. No.	Part No.	DESCRIPTION
1	23004500	Tub Complete
2	23004501	Drum
3	W10382921	Bellow
4	23003537	Bellow To Tub Clamp
	W10357140	Assembly Ring Plate
6	23003539	Balance Switch Grommet
7	23004000	Bolt M6X60
8	23003079	Bolt M12X40
9	23001309	Washer M6.4X17X3
10	23004146	Washer
11	23002756	Lock Washer M6
12	23001312	Nut M6
13	23003606	Nut M16

Illus. No.	Part No.	DESCRIPTION
15	23001594	Heating Element Hole Plug
16	23004502	Clamp Retaining Ring
17	23004503	Tub Front Panel
18	23004141	Tub-Front Clamp
19	23004148	Funnel
20	23003911	Balance Switch Grommet Support
29	23003899	Micro Switch
30	23003831	Temperature Sensor (Must also order Key # 31)
31	W10382922	Temperature, Sensor Holder
32	23002179	Washer Nut M14

Illus. No.	Part No.	DESCRIPTION
34	23003902	Spacer
35	23003903	Screw M3 x 25
36	23001053	Nut (M3)
37	23003904	Spring Holder, Tilt Switch
38	23003900	Spring
39	23002951	Washer, Fiber
40	23003901	Spring
41	W10427109	Support Tilt, Switch
42	23004414	Tilt Switch, Complete

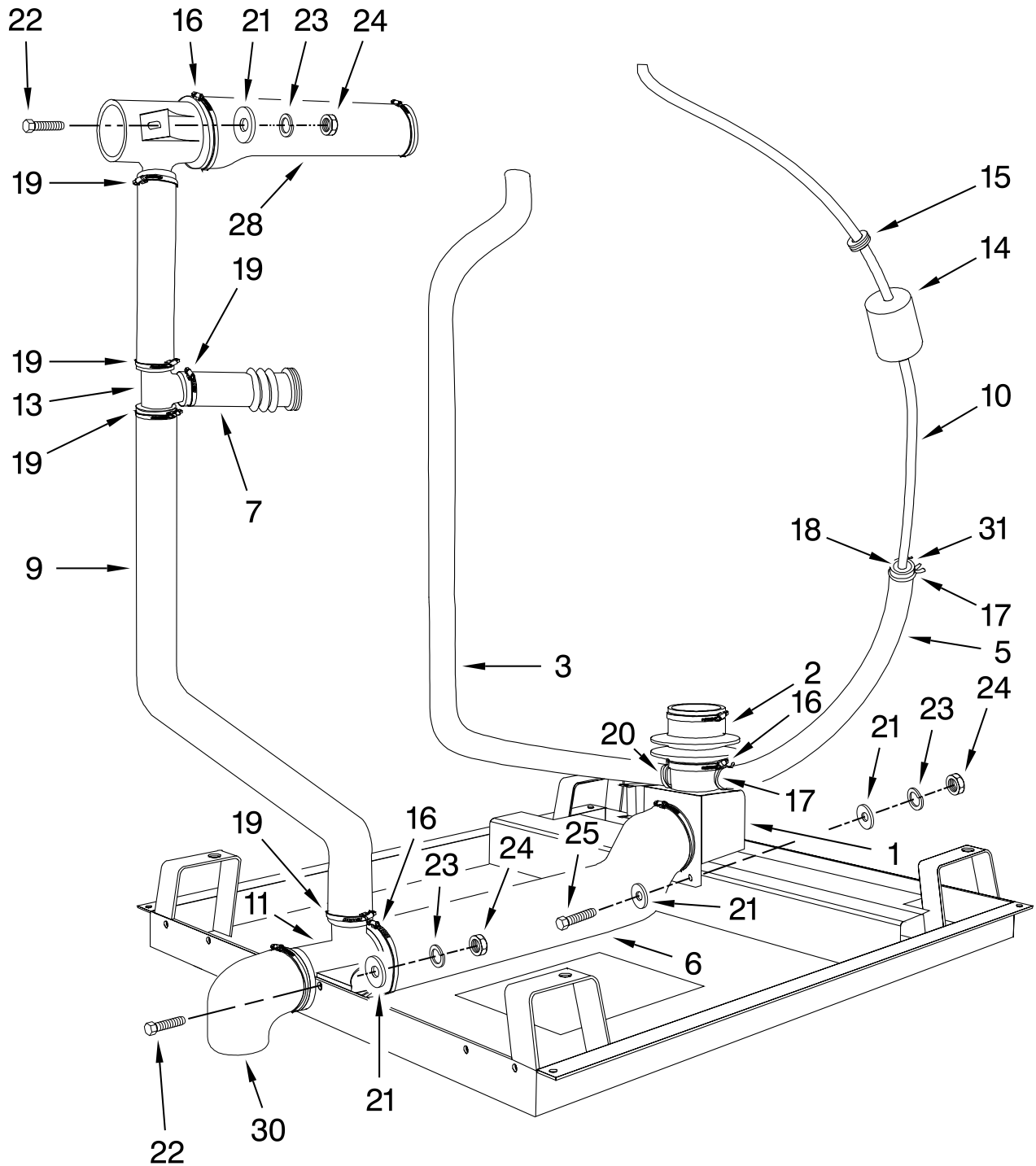
FOLLOWING PARTS NOT ILLUSTRATED

W10382923 O Ring

FOR ORDERING INFORMATION REFER TO PARTS PRICE LIST

DRAIN SYSTEM PARTS

For Model: MFS35PDFTS
(Stainless)



FOR ORDERING INFORMATION REFER TO PARTS PRICE LIST

DRAIN SYSTEM PARTS

For Model: MFS35PDFTS

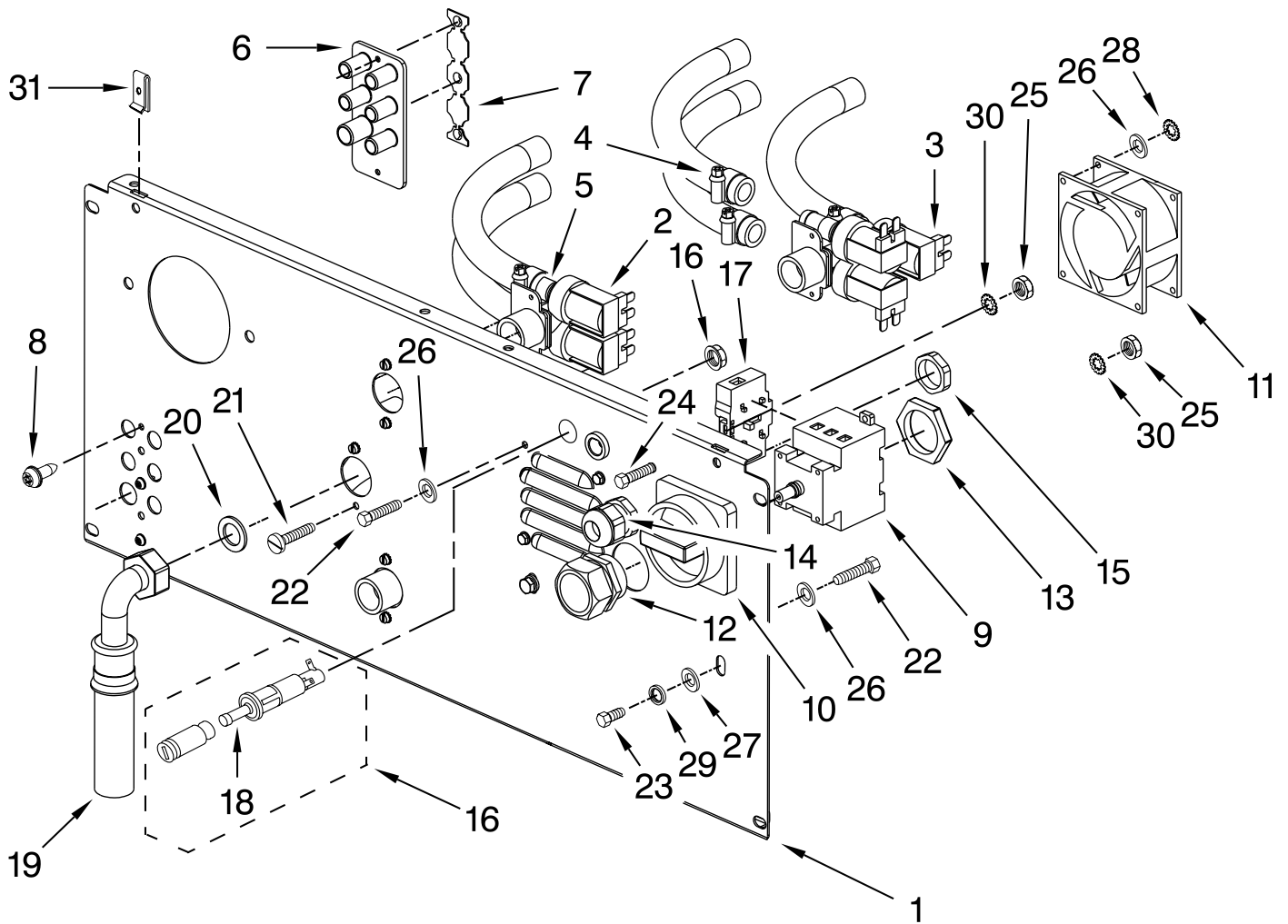
(Stainless)

Illus.	Part	
No.	No.	DESCRIPTION
1	23001244	Drain valve Complete
	W10126968	Drain Valve No Motor
	W10357127	Drain Valve Motor Only
2	23001245	Tub To Drain Hose
3	W10357129	Hopper To Drain Valve Hose
5	23001246	Lower Pressure Switch Hose
6	23001249	Drain Valve Outlet Hose
7	23001250	Corrugated Vent Hose
9	23001251	Lower Overflow Hose
10	23001252	Upper Pressure Switch Hose
11	23001253	Large T
13	23001255	Small T
14	23004491	Larger Bumper
15	23001138	Smaller Bumper
16	696392	Hose Clamp
17	23001259	Hose Clamp
18	23001260	Pressure Switch Hose Fitting
19	23001750	Hose Clamp
20	616099	Hose Clamp
21	23002437	Washer M8
22	23001264	Bolt M8X20
23	23002358	Lock Washer M8
24	23003766	Nut M8
25	23002908	Bolt M8X120
28	23004241	Hopper To T-Hose
30	23002015	Drain Elbow
31	596669	Hose Clamp

REAR PANEL PARTS

For Model: MFS35PDFTS

(Stainless)



Illus. No.	Part No.	DESCRIPTION
1	23004493	Upper Back Panel
2	23001455	Dual Valve
3	23001533	Triple Valve
4	596669	Hose Clamp
5	23001507	Inlet Hose
6	W10223169	Chemical Injection Manifold
7	14227179	Manifold Mtg Plate
8	23003810	Screw M4X13
9	23003500	Main Switch 25A
10	23003497	Main Switch Knob
11	23002165	Cooling Fan
12	23004494	Large Strain Relief
13	23004495	Large Strain Relief Nut

Illus. No.	Part No.	DESCRIPTION
14	23002196	Med. Strain Relief
15	23002197	Med. Strain Relief Nut
16	23002210	Fuse Holder
17	23003504	Main Switch, Contact
18	23002919	Fuse 0.5A
19	23003496	Non-North, American Hose
	23001523	North American, Hose
20	23002921	Hose Washer
21	23002721	Bolt M4X12
22	23004095	Bolt M4X16
23	23002461	Bolt M6X16
24	23002806	Bolt M6X25
25	23001312	Nut M6
26	23002438	Washer M4.3

Illus. No.	Part No.	DESCRIPTION
27	23002756	Washer M6.4
28	23002400	Washer M4
29	23002440	Washer M6
30	23001734	Lock Washer M6
31	23004481	Tinnerman Clip

FOLLOWING PARTS NOT ILLUSTRATED

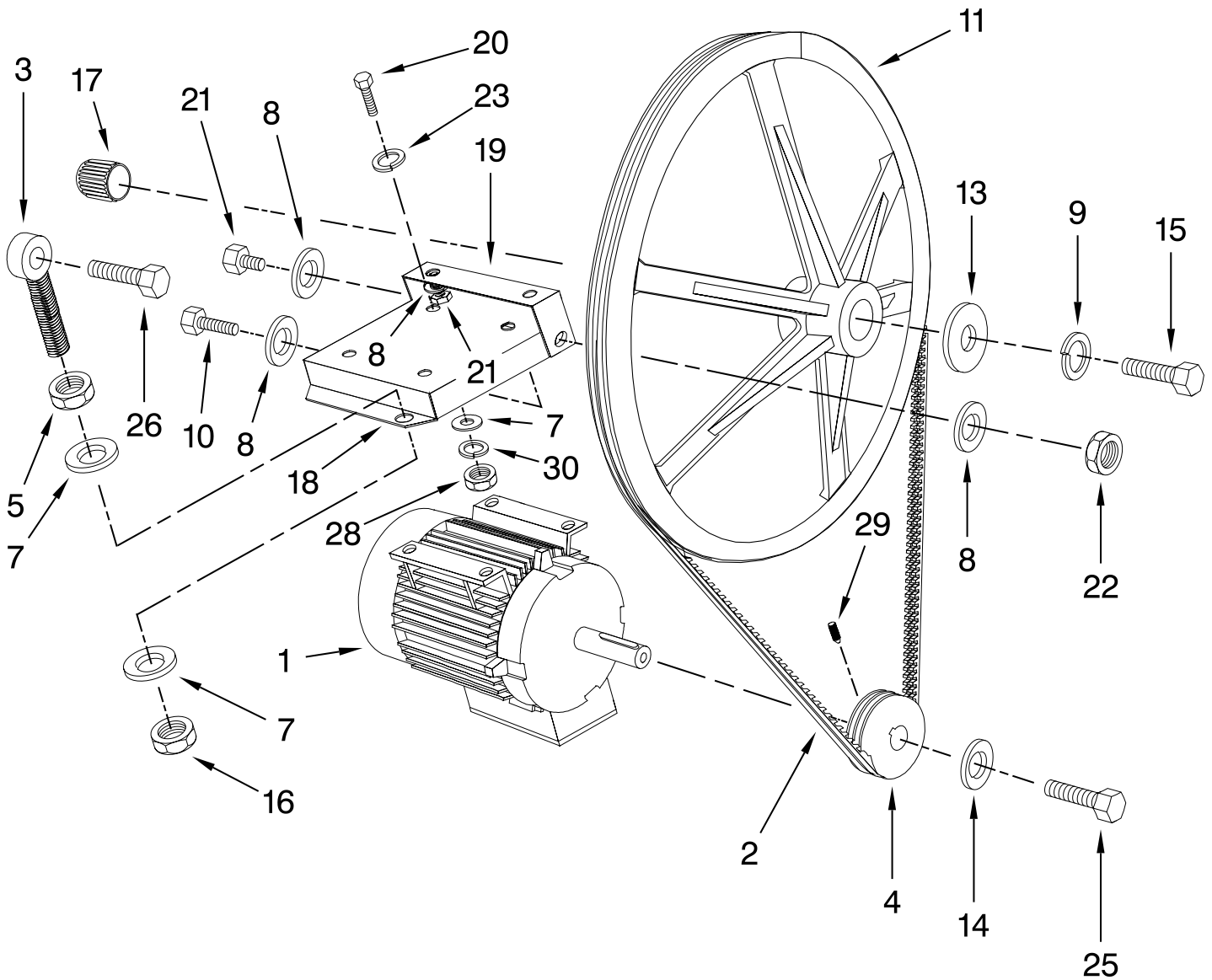
23003328	Fuse Label 1A/500V
23001469	Hot Water Label
23001470	Cold Water Label
23001509	Water Valve Label
23001465	Safety Label
W10357133	Spin Direction Label
W10357135	Y Connector

FOR ORDERING INFORMATION REFER TO PARTS PRICE LIST

DRIVE PARTS

For Model: MFS35PDFTS

(Stainless)



Illus. No.	Part No.	DESCRIPTION
1	23004081	Drive Motor
2	23004403	V-Belt
3	W10286331	Eye Bolt(M16x90)
4	23004506	Motor Pulley
5	23004281	Nut M16
7	23003403	Washer M17X40X3
8	23004023	Washer M10
9	23002658	Washer M12
10	23003285	Bolt M10X50
11	23001415	Drum Pulley
13	23004146	Washer M37X13X3

Illus. No.	Part No.	DESCRIPTION
14	23003788	Washer M10
15	23001418	Bolt M12X25
16	23004281	Nut M16
17	23001410	Tolerance Ring
18	23004507	Motor Mtg Plate
19	23004508	Motor Mounting Bracket
20	23001305	Bolt M8X25
21	23001905	Bolt M10X25
22	23001661	Nut M10

Illus. No.	Part No.	DESCRIPTION
23	23001203	Washer M8.4X24X2
25	23001264	Bolt M8X20
26	23004040	Bolt M16X50
28	23003766	Nut M8
29	23004509	Screw M8X10
30	23002358	Washer M8

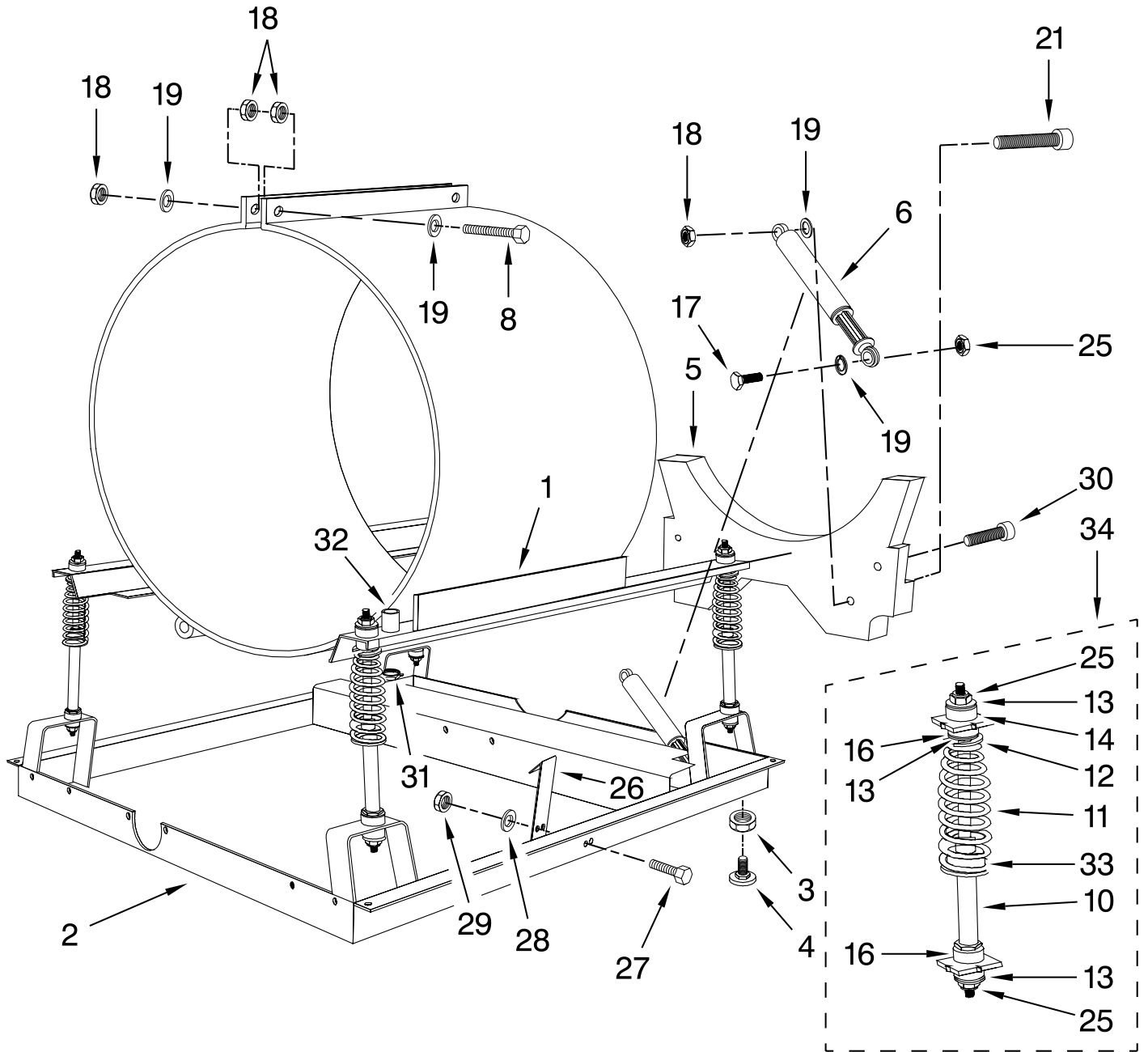
**FOLLOWING PARTS
NOT ILLUSTRATED**

23004498 Motor Harness

FOR ORDERING INFORMATION REFER TO PARTS PRICE LIST

FRAME AND TUB SUPPORT PARTS

For Model: MFS35PDFTS
(Stainless)



Illus. No.	Part No.	DESCRIPTION
1	23004462	Tub Support
2	23004463	Frame
3	23001661	Nut M10
4	23003458	Washer Foot
5	23004464	Counterweight
6	23002983	Shock Absorber
8	23002984	Bolt M10X80
10	23003451	Spring Support
11	23003457	Red Spring
12	23003454	Upper Spring Holder

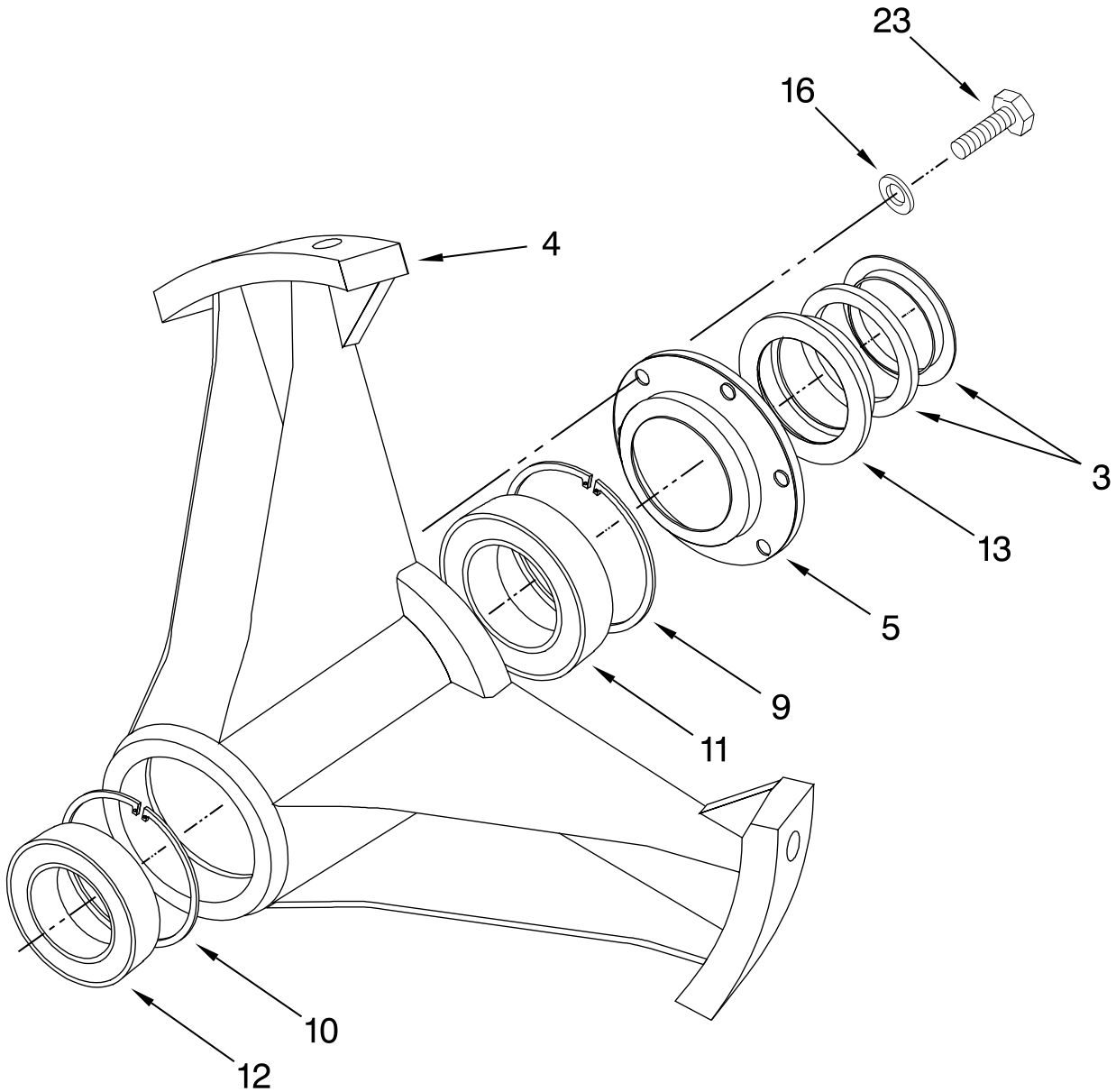
Illus. No.	Part No.	DESCRIPTION
13	23003455	Rubber Washer
14	23003456	Upper Rubber
16	23003459	Lower Rubber
17	23003285	Bolt M10x50
18	23001661	Nut M10
19	23003788	Washer M10
21	23004465	Bolt M10X120
25	23002356	Nut M10

Illus. No.	Part No.	DESCRIPTION
26	23004466	Hose Support
27	23002461	Bolt M6X16
28	23002756	Washer M6
29	23001312	Nut M6
30	W10361724	Bolt M12X40
31	23002212	Bushing Nut
32	W10357103	Harness Bushing
33	23003465	Lower Spring
34	23004373	Spring Support, Complete

FOR ORDERING INFORMATION REFER TO PARTS PRICE LIST

TRUNNION PARTS

For Model: MFS35PDFTS
(Stainless)



Illus. No.	Part No.	DESCRIPTION
3	12002779	Seal Ring
4	23004510	Bearing Housing
5	23004511	Seal Plate
9	23004039	Inner Snap Ring
10	23004512	Outer Snap Ring
11	23003615	Front Bearing
12	23004032	Rear Bearing
13	12002779	Water Seal
16	23002281	Washer M6.4X12X1.6
23	23002462	Bolt M6X20

FOR ORDERING INFORMATION REFER TO PARTS PRICE LIST