

WASHER

Repair Parts List

MODEL NUMBER
MFS35PNFTS

When requesting service or ordering parts, always provide the following information:

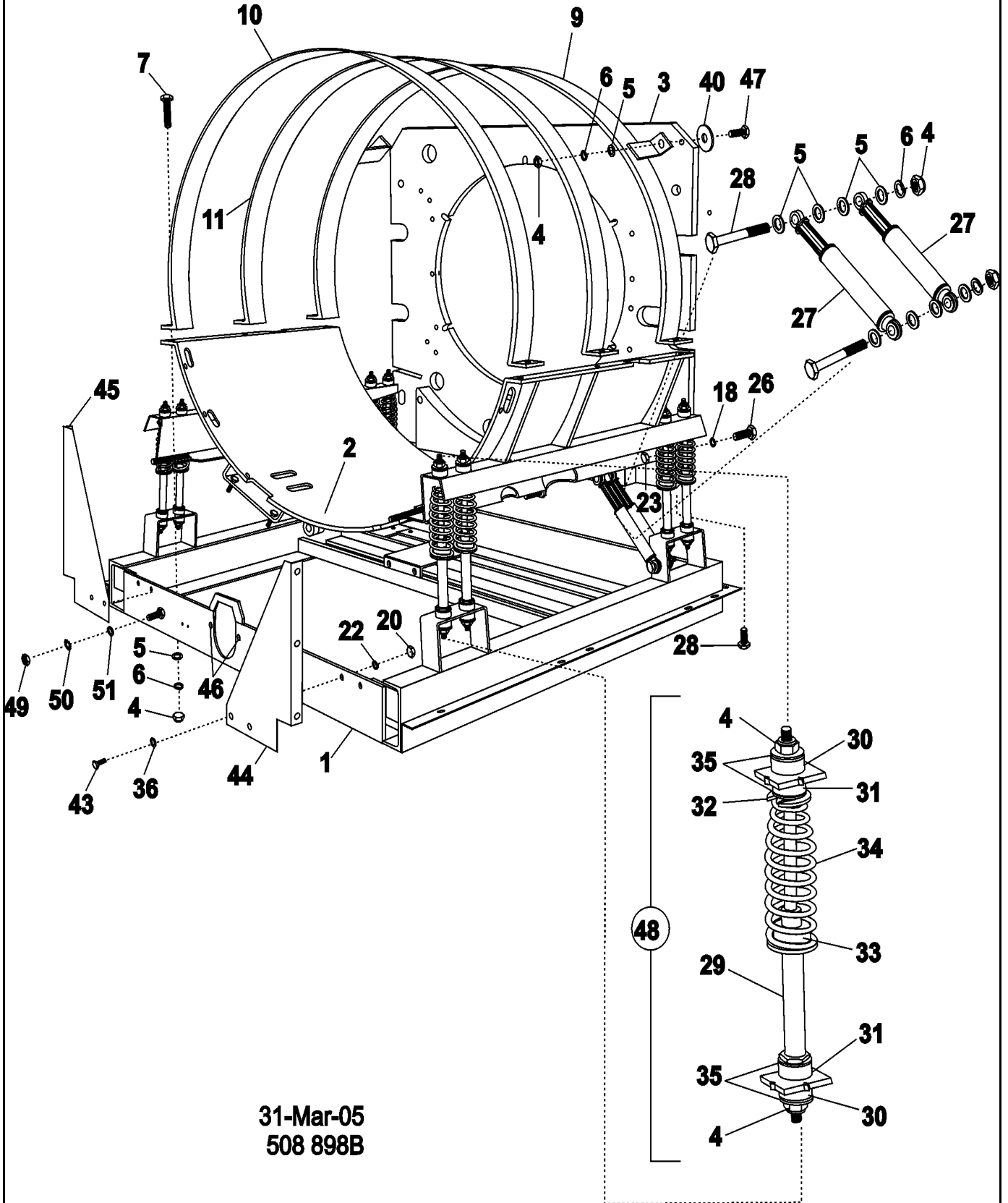
- Product Type
- Part Number
- Model Number
- Part Description

MAYTAG®

©2005 Maytag Services

Section: FRAME AND TUB SUPPORT

Model: MFS35PNFTS



31-Mar-05
508 898B

CW19-51

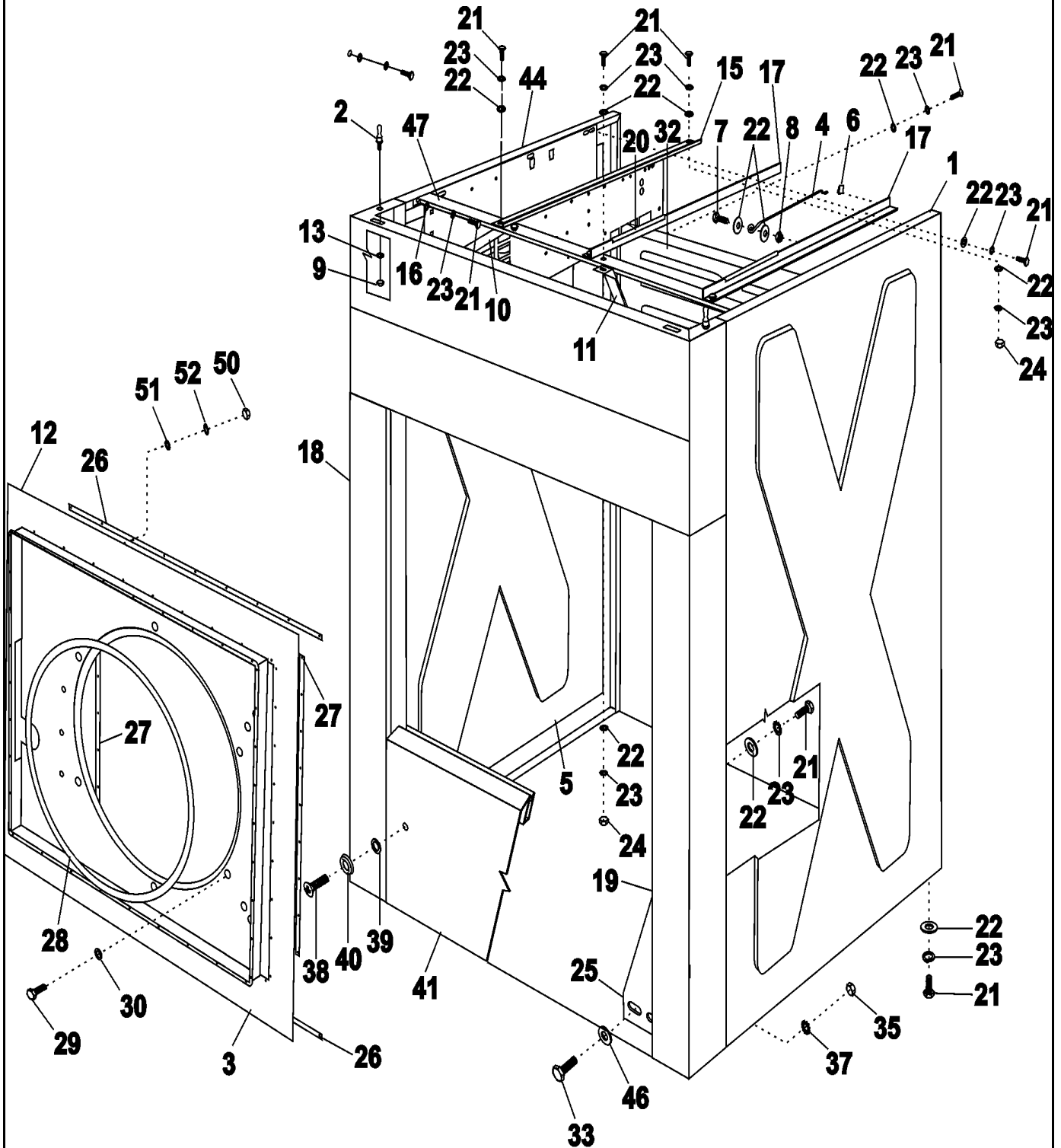
Section: FRAME AND TUB SUPPORT

No.	Part No.	Description	Series	Qty
1	23004369	FRAME	10	1
2	23004370	TUB BED	10	1
3	23004371	COUNTER WIEGHT COMPLETE	10	1
4	23001241	LOCKING NUT, SELF (M10) LU	10	1
5 N	23001399	WASHER (10.5)	10	1
6	23001400	LOCK WASHER, SPRING	10	1
7	23001425	BOLT (M10X50)	10	1
9	23004372	SLIDING RING FRONT	10	1
10	23003565	RING, SLIDING (REAR)	10	1
11	23003878	SLIDING RING MIDDLE	10	1
18	23001757	WASHER (16)	10	1
20	23001266	NUT (M8)	10	1
22	23002439	WASHER, SPRING LOCK (8)	10	1
23	23004281	NUT M16	10	1
26 N	23003569	SCREW (M16X40)	10	1
27	23002983	DAMPER (RD 12-2)	10	1
28	23003570	SCREW (M10X80)	10	1
29	23003451	LEG, SPRING	10	1
30	23003459	RUBBER (BLK-LWR) LU	10	1
31	23003456	RUBBER (BLK-UPR)	10	1
32	23003454	HOLDER, SPRING (UPR) LU	10	1
33	23003465	HOLDER, SPRING (LWR)	10	1
34	23003457	SPRING (RED)	10	1
35	23003455	WASHER	10	1
36	23001263	WASHER (8.4)	10	1
40	23001282	WASHER (DIA. 37 X 13 X 3)	10	1
43	23001388	BOLT (M8 X 40)	10	1
44	23003881	PANEL HOLDER LEFT	10	1
45	23003882	PANEL HOLDER RIGHT	10	1
46 N	23003573	NUT, RIVETING (M6)	10	1
47	23002987	SCREW (M10X30)	10	1
48	23004373	SHOCK ABSORBER COMPLETE	10	1
49	23002487	NUT (M8)	10	1
50	23001608	WASHER (M8) LU	10	1
51	23002427	WASHER, LOCK (M8)	10	1

*Color Code (-)=Not Shown #=Series, Serial Prefix or Run No., N=Not Available

Section: CABINET

Model: MFS35PNFTS



10-Apr-06
608 900A

CW12-58

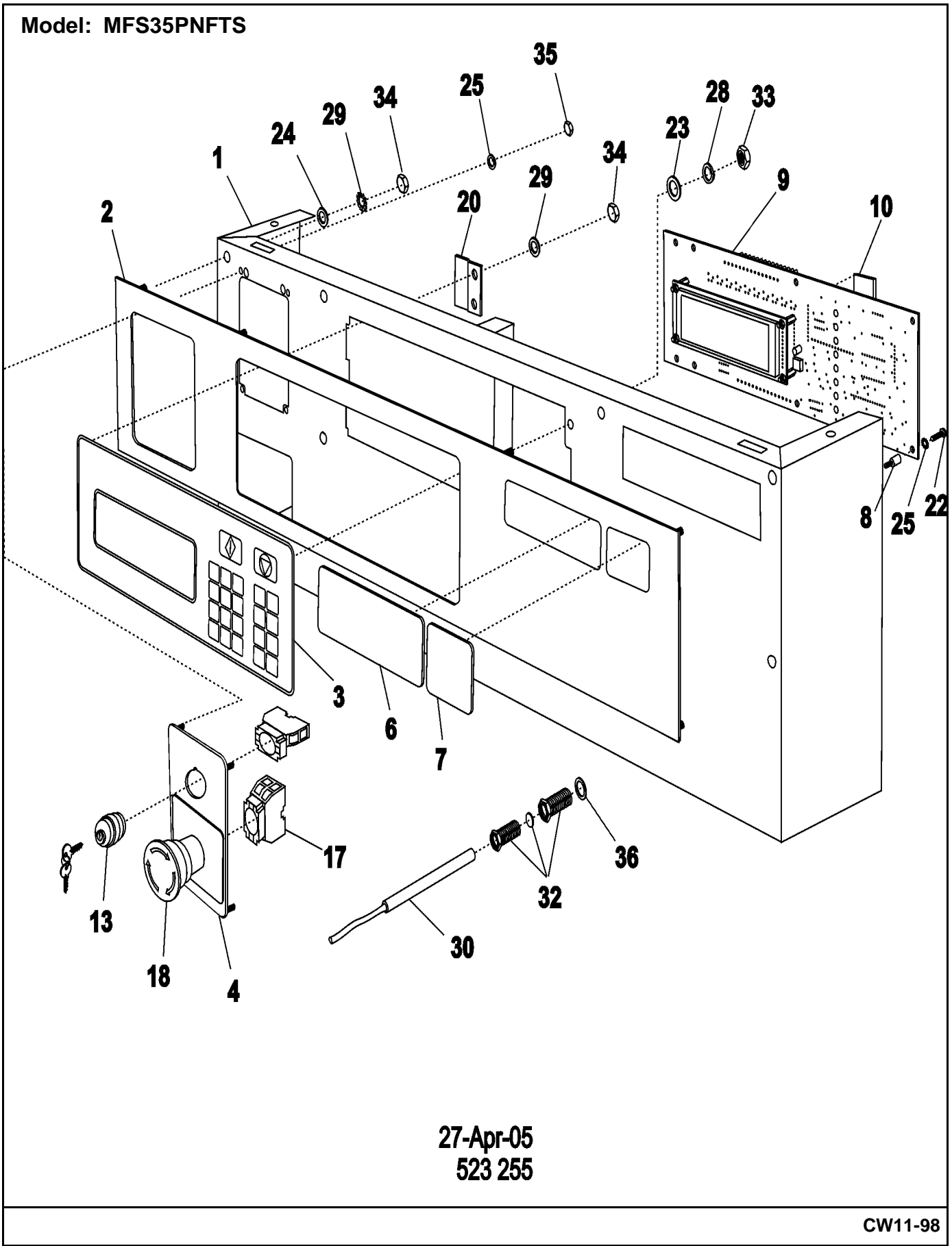
Section: CABINET

No.	Part No.	Description	Series	Qty
1	23004374	PANEL, SIDE RH	10	1
1	23004375	PANEL, SIDE LH	10	1
2	23001332	PIN, SRV	10	1
3	23003835	COVER, COMPLETE	10	1
4	23001330	SUPPORT ROD, TOP PANEL	10	1
5	23001567	SHEET, ANTI-VIBRATION	10	1
6	23002454	HOOK	10	1
7	23002463	SCREW (M6 X 30)	10	1
8	23001310	NUT, SELF LOCKING (M6)	10	1
9	23001334	NUT (M5) LU	10	1
10	23004376	REINFORCEMENT-RH LU	10	1
11	23004377	REINFORCEMENT-LH	10	1
12	23004378	RUBBER WASHER	10	1
13	23001333	LOCK WASHER (M5) LU	10	1
15	23003883	HOLDER CONTACTOR BOX	10	1
16	23003884	CROSS HOLDER	10	1
17	23003885	HOLDER SOAP HOPPER	10	1
18	23004379	FRONT COVER, LH	10	1
19	23004380	FRONT COVER, RH	10	1
20	23002473	RUBBER, PROTECTIVE	10	1
21	23002461	SCREW (M6 X16)	10	1
22	23002469	WASHER	10	1
23	23002130	WASHER (6)	10	1
24	23001034	NUT (M6)	10	1
25	23004382	BRACKET, RH FRONT	10	1
25	23004381	BRACKET, LH FRONT	10	1
26	23003840	STRIP, METAL TOP	10	1
27	23003839	STRIP, METAL SIDES	10	1
28	23002473	RUBBER, PROTECTIVE	10	1
29	23003422	SCREW, M4X10 DIN 966	10	1
30	23001204	WASHER, FINISHING (DIA. 5)	10	1
32	23004384	REAR PANEL(STEAM) COMPLETE	10	1
32	23004383	REAR PANEL COMPLETE	10	1
33	23003593	SCREW (M8X25)	10	1
35	23001266	NUT (M8)	10	1
37	23002439	WASHER, SPRING LOCK (8)	10	1
38	23001336	SCREW (M6 X 50)	10	1
39	23002458	WASHER (FIBER)	10	1
40	23002457	WASHER	10	1
41	23004385	PANEL, SERVICE COMPLETE	10	1
44	23004386	PANEL, ELECTRICAL COMPONENTS	10	1
46	23001263	WASHER (8.4)	10	1
47	23001159	WASHER (DIA. 14X8.6X1 STNLS)LU	10	1
50	23003666	NUT (M4)	10	1
51	23002438	WASHER (M6)	10	1
52	23002400	WASHER	10	1

*Color Code (-)=Not Shown #=Series, Serial Prefix or Run No., N=Not Available

Section: CONTROL PANEL

Model: MFS35PNFTS



27-Apr-05
523 255

CW11-98

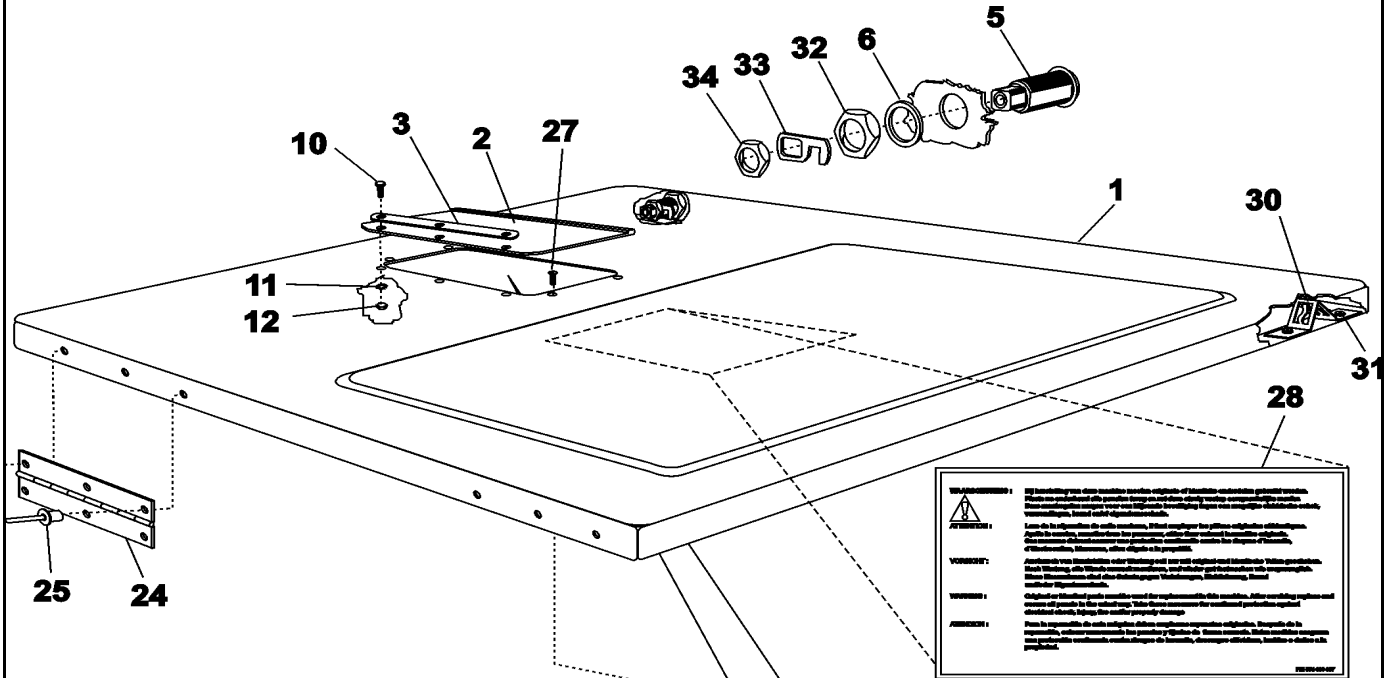
Section: CONTROL PANEL

No.	Part No.	Description	Series	Qty
1	23004387	BRACKET,CONTROL PANEL	10	1
2	23004388	PANEL, FACIA	10	1
3	23004133	KEY BOARD, FULL CONTROL	10	1
4	23004389	PLATE, INSERT	10	1
6	23004390	LOGO, LABEL	10	1
7	23004391	LABEL, INSERT	10	1
8	23004134	SPACER M3XM5X3	10	1
9	23003991	MCG CONTROLLER	10	1
10	23003992	MCG EEPROM CHIP LU	10	1
13	23001082	BLOCK, PROGRAMMING KEY	10	1
17	23004137	CONTACT BLOCK	10	1
18	23004136	STOP BUTTON EMERGENCY	10	1
20	23003871	BRACKET, Z	10	1
22	23001131	SCREW (M3 X 14 CROSS RECESSED)	10	1
23	23001708	WASHER (5.3)	10	1
24	23002504	WASHER	10	1
25	23001054	LOCKING WASHER	10	1
28	23001333	LOCK WASHER (M5) LU	10	1
29	23001013	LOCK WASHER EXTERNAL TEETH M4	10	1
30	23003831	SENSOR, TEMPERATURE	10	1
32	23003807	HOLDER THERMOSTAT SENSOR	10	1
33	23001334	NUT (M5) LU	10	1
34	23001055	NUT (M4)	10	1
35	23001053	NUT (M3)	10	1
36	23002179	WASHER	10	1
37	23004164	CONNECTOR LIQ SOAP LU	10	1

*Color Code (-)=Not Shown #=Series, Serial Prefix or Run No., N=Not Available

Section: SOAP HOPPER

Model: MFS35PNFTS



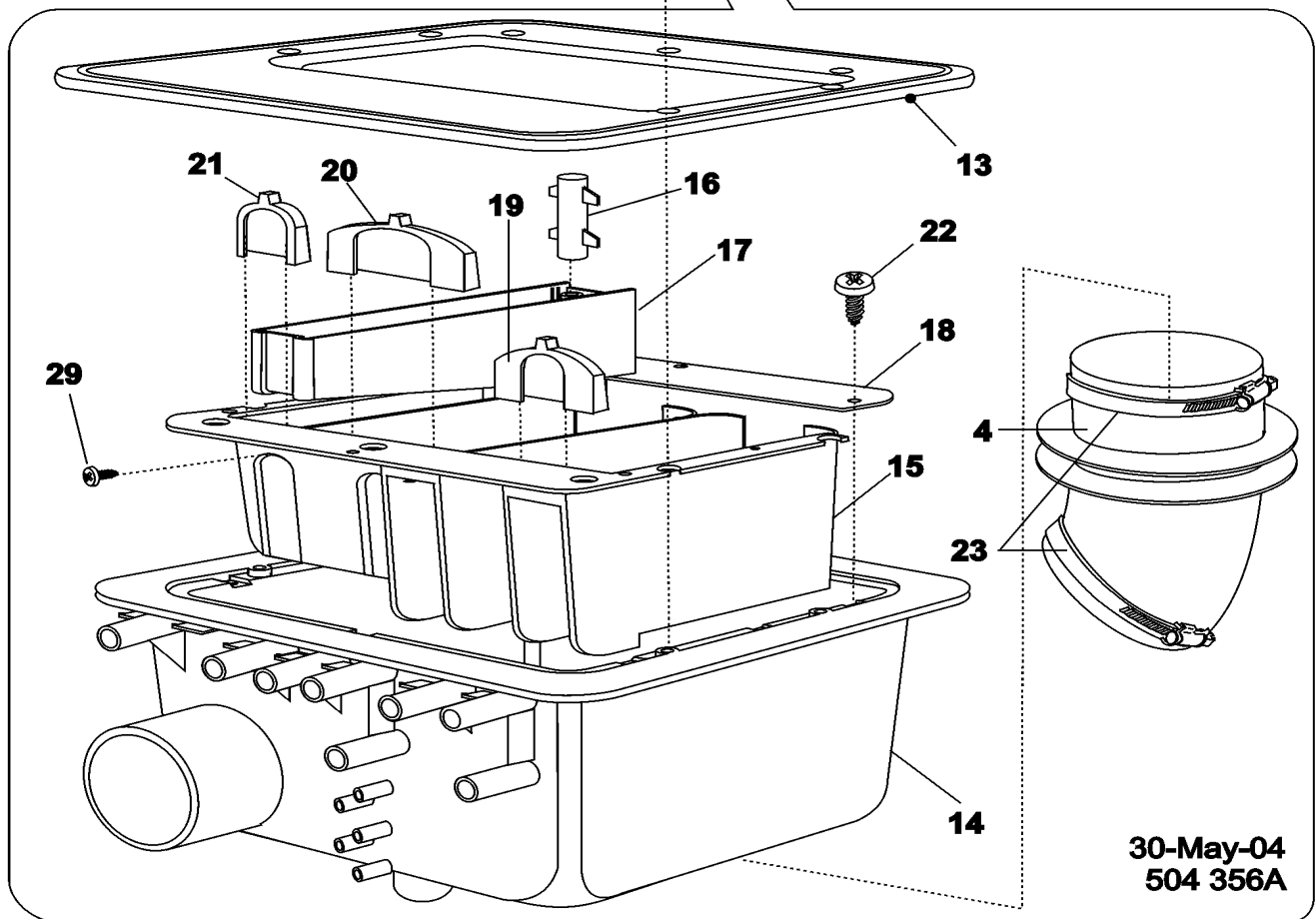
WARNING: Read and understand the safety instructions on the back of the soap hopper top panel. Failure to follow these instructions could result in injury or property damage.

ATTENTION: Do not use the soap hopper top panel if it is damaged, cracked, or otherwise compromised. If you have any questions, please contact the manufacturer.

NOTES: The soap hopper top panel is made of plastic and may be damaged by excessive heat or fire. Do not use the soap hopper top panel in areas where it may be exposed to such conditions.

WARNING: The soap hopper top panel is not intended to be used as a support for any other equipment. Do not use the soap hopper top panel in any way that is not intended.

ATTENTION: Please refer to the back of the soap hopper top panel for additional safety information. Do not use the soap hopper top panel if it is damaged, cracked, or otherwise compromised.



30-May-04
504 356A

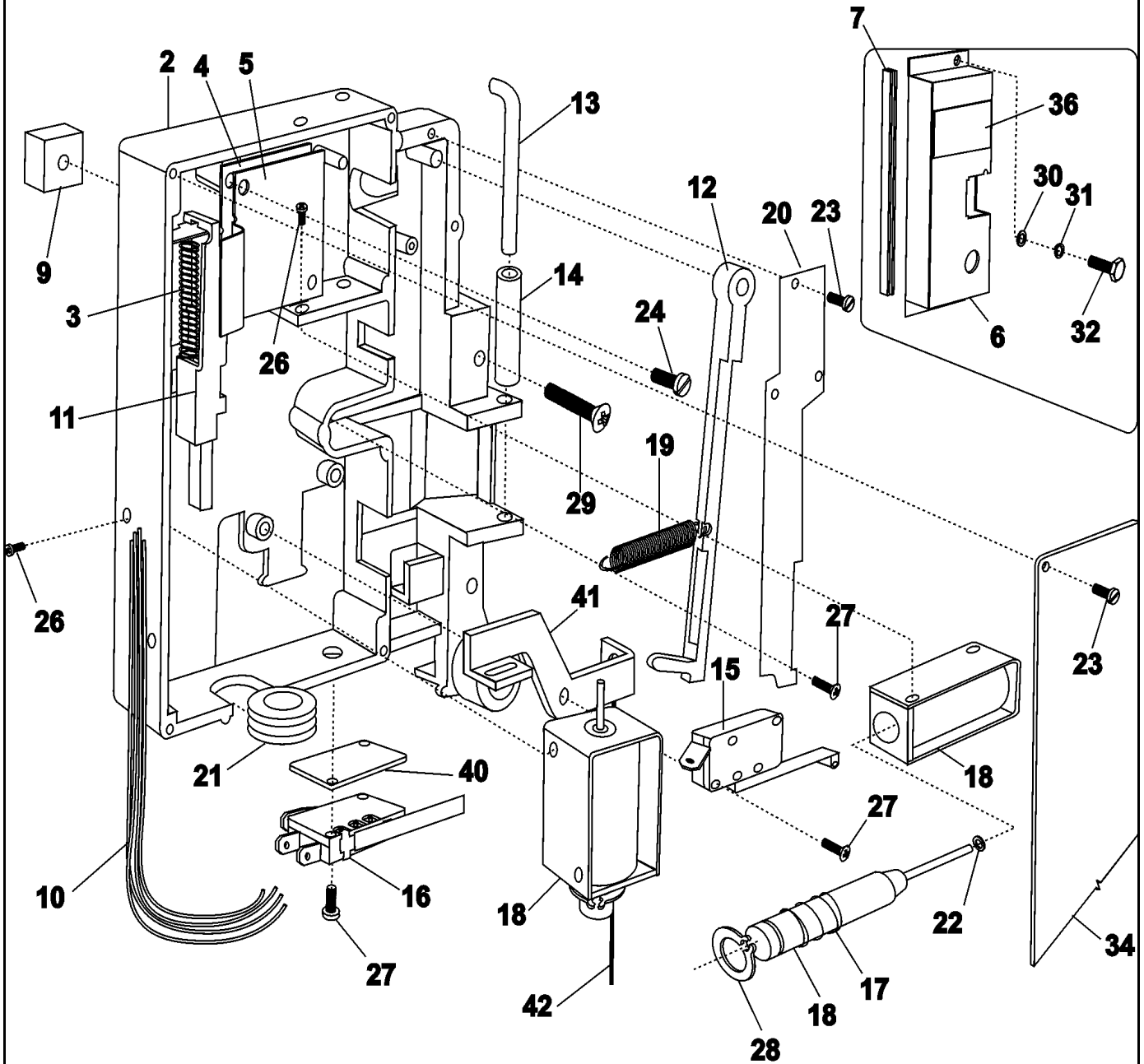
Section: SOAP HOPPER

No.	Part No.	Description	Series	Qty
-	23004392	COVER, TOP COMPLETE	10	1
1	23004393	COVER, TOP	10	1
2	23001003	RUBBER COVER, SOAP BOX	10	1
3	23003781	LACTH, SOAP HOPPER COVER	10	1
4	23004115	RUBBER, TUB SOAP HOPPER	10	1
5	23001006	LOCK, TOP PANEL	10	1
6	23001007	WASHER, FIBER	10	1
10	23001012	SCREW (M4 X 12 STNLS STEEL)	10	1
11	23001636	WASHER	10	1
12	23001014	NUT (M4)	10	1
13	23001015	RUBBER SEAL, SOAP BOX	10	1
14	23001016	SOAP BOX HOUSING	10	1
15	23001017	SOAP BOX INSERT	10	1
16	23001018	SIPHON	10	1
17	23001019	TRAY	10	1
18	23001020	COVER, PLATE	10	1
19	23001021	DRAWER, PREWASH	10	1
20	23001022	DRAWER, MAIN WASH	10	1
21	23001023	DRAWER, LAST RINSE	10	1
22	23001024	SCREW	10	1
23	23001025	CLAMP, HOSE (DIA 90/110)	10	1
24	23004103	HINGE	10	1
25	23004105	RIVET 4X6,3	10	1
27	23003484	SCREW (M5X16)	10	1
28	23001550	LABEL, EARTH	10	1
29	23002318	SCREW, PAN HEAD (SLOTTED)	10	1
30	23001032	CLAMP, SRV	10	1
31	23001033	RIVETS, BLIND (DIA. 3.2 X 8)LU	10	1
32	23001008	LOCK NUT (LARGE)	10	1
33	23001009	LOCK HOOK (SHORT)	10	1
34	23001011	NUT	10	1

*Color Code (-)=Not Shown #=Series, Serial Prefix or Run No., N=Not Available

Section: DOOR LOCK

Model: MFS35PNFTS



10-Apr-05
508 897B

CW10-82

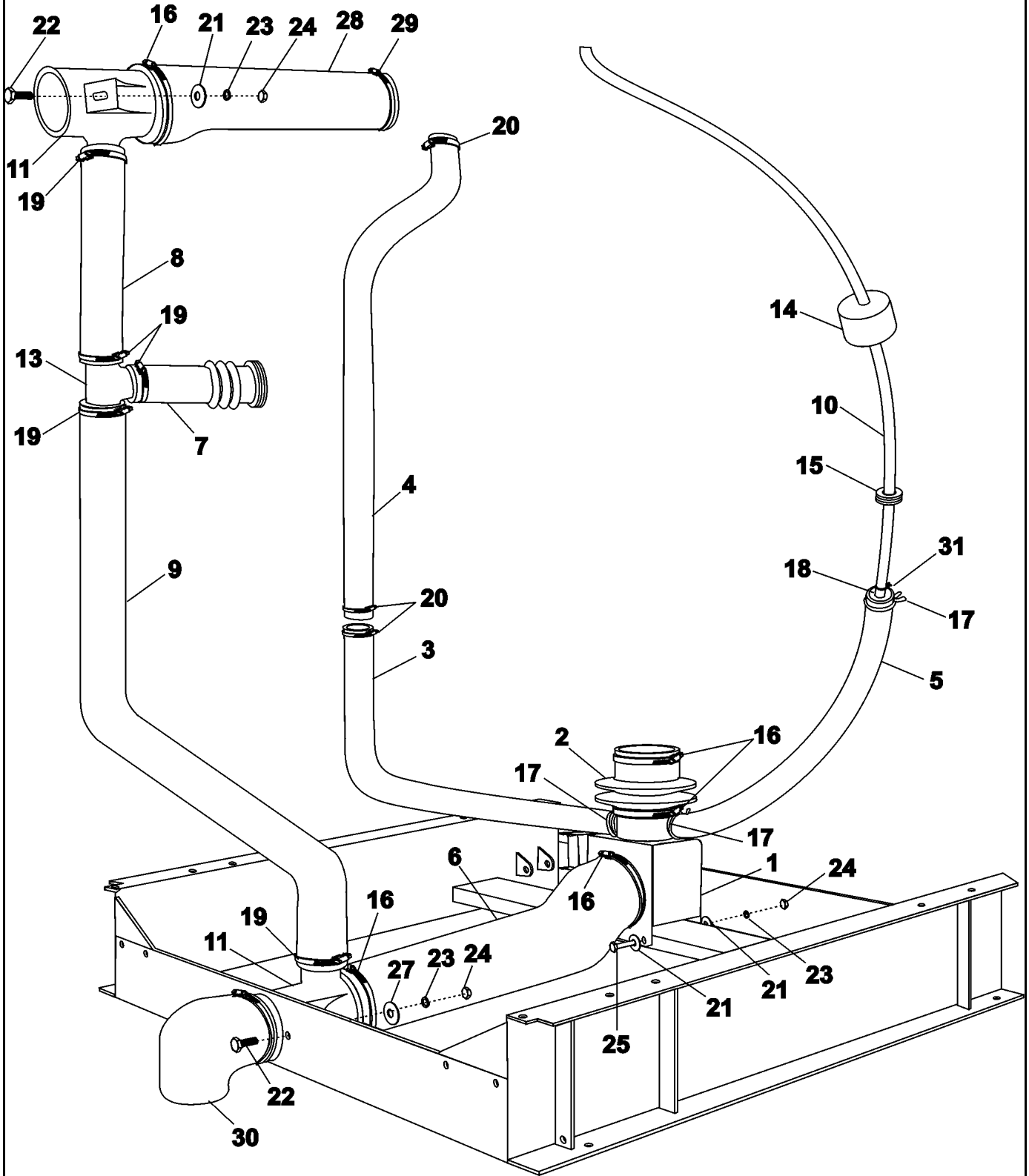
Section: DOOR LOCK

No.	Part No.	Description	Series	Qty
1	23003861	DOORLOCK, COMPLETE	10	1
2	Y23002898	GROUND, PLATE LOCK	10	1
3	23003106	SPRING, DOORLOCK	10	1
4	23003107	PLATE, DECOUPLING	10	1
5	23003108	PLATE, DECOUPLING	10	1
6	23003864	COVER, LOCKING DEVICE	10	1
7	23002473	RUBBER, PROTECTIVE	10	1
9	23003110	WASHER	10	1
10	23004400	HARN, DOOR LOCK	10	1
11	23001140	BAR, LOCKING	10	1
12	23002899	HANDLE, LOCKING PART	10	1
13	23001142	RETAINER, LOCK TUBE (DIA.4X45)	10	1
14	23001143	LOCK TUBE (DIA. 4X23.5 STNLS)	10	1
15	23003112	MICROSWITCH	10	1
16	23001145	MICROSWITCH, LONG LEVER	10	1
17	23002903	SPRING, LOCKING PART	10	1
18	23001146	COIL (240V)	10	1
19	23002900	SPRING, LOCKING PART	10	1
20	23001149	LEAF SPRING, LATCH BAR	10	1
21	23001138	BUSHING, CABLE PASSAGE	10	1
22	23001136	WASHER (DIA. 5.1 X 3.3 X 0.1)	10	1
23	23003113	SCREW (M3X6)	10	1
24	23003114	SCREW (M4X8) LU	10	1
26	23002869	SCREW (M3X6)	10	1
27	23003115	SCREW (M3X14)	10	1
28	23001137	RING, RETAINING (G10)	10	1
29	23003116	SCREW (M5X30)	10	1
30	23002424	WASHER	10	1
31	23002130	WASHER (6)	10	1
32	23002422	SCREW (M6 X 12)	10	1
34	23004351	COVER, DOOR LOCK	10	1
36 N	23003118	LABEL, WARNING	10	1
40	23003863	PLATE, MICROSWITCH	10	1
41	23001153	LEVER, EMERGENCY OPENING	10	1
42	23002901	CORD, OPENING	10	1

*Color Code (-)=Not Shown #=Series, Serial Prefix or Run No., N=Not Available

Section: WATER SYSTEM AND DRAIN VALVE

Model: MFS35PNFTS



18-Feb-00
504 358

CW21-185

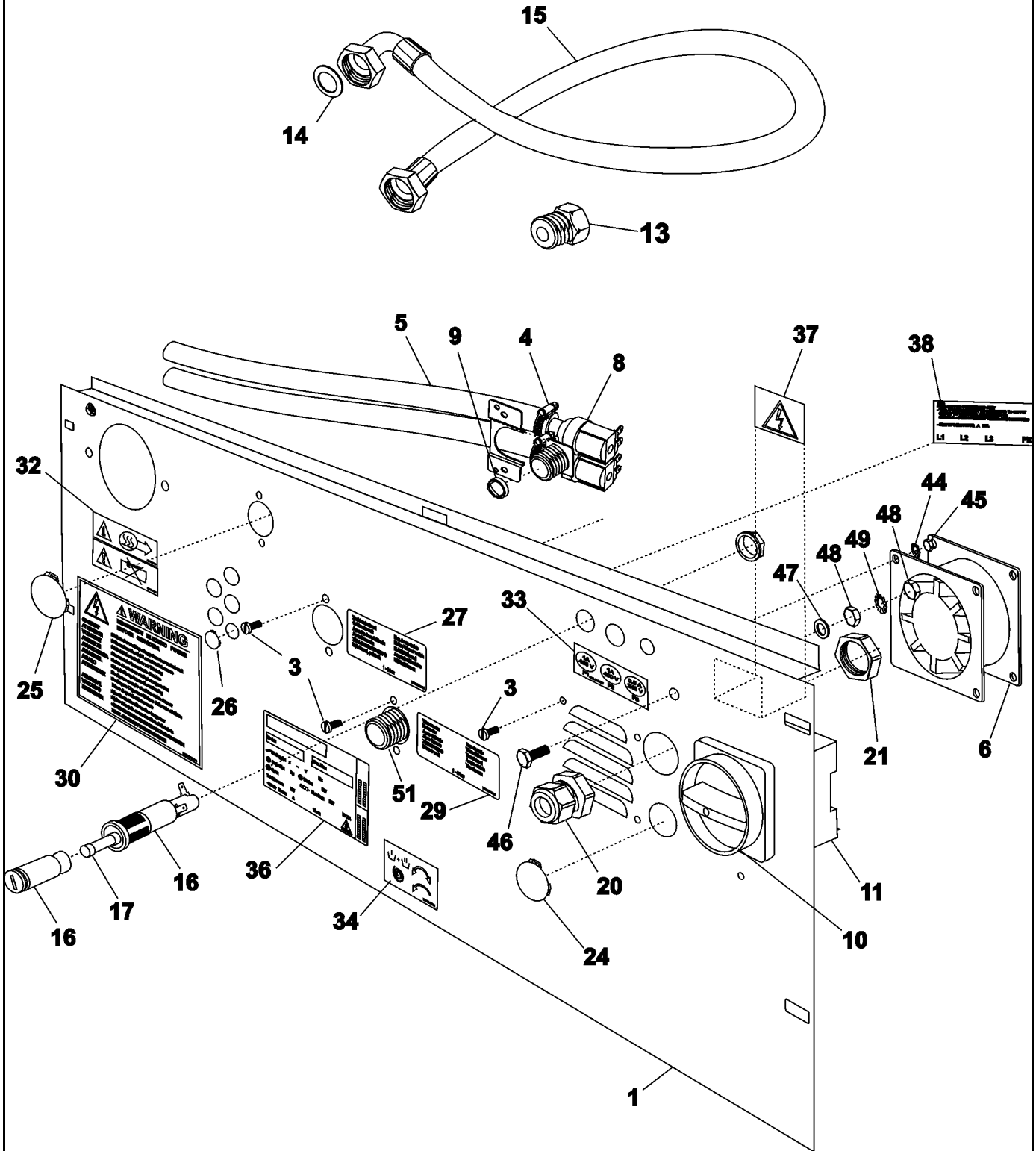
Section: WATER SYSTEM AND DRAIN VALVE

No.	Part No.	Description	Series	Qty
-	W10126968	DRAIN VALVE HOUSING 3"	10	1
-	23002321	MOTOR, DRAIN (240V)	10	1
1	23001244	VALVE, DRAIN (240V-50/60HZ)	10	1
2	23002907	TUB, OUTLET VALVE HOSE	10	1
3	23001246	HOSE, BOTTOM FILL	10	1
4	23001549	HOSE, OUTLET (SOAPHOPPER) LU	10	1
5	23003035	ELBOW	10	1
6	23001248	HOSE, DRAIN	10	1
7	23001250	HOSE, AIR VENT	10	1
8	23001251	HOSE, OVERFLOW	10	1
9	23001251	HOSE, OVERFLOW	10	1
10	23001252	HOSE, WATER LEVEL SWITCH	10	1
11	23001253	DRAIN TEE	10	1
13	23001255	TEE, OVERFLOW HOSE	10	1
14	23004491	FOAM RUBBER AQUASTATE	10	1
15	23003487	WASHER, RUBBER	10	1
16	23001258	CLAMP, HOSE (70-90)	10	1
17	23001259	CLAMP, CORBIN (A17.5)	10	1
18	23001260	BUSHING, AIR DOME HOSE	10	1
19	23001750	RING, CLAMP (40-60)	10	1
20	23001262	CLAMP, HOSE (20-32)	10	1
21	23001263	WASHER (8.4)	10	1
22	23003593	SCREW (M8X25)	10	1
23	23002439	WASHER, SPRING LOCK (8)	10	1
24	23001266	NUT (M8)	10	1
25	23002908	SCREW (M8X120)	10	1
27	23003491	WASHER (8.4)	10	1
28	23001254	AIR VENT HOSE, SOAP BOX	10	1
29	23001258	CLAMP, HOSE (70-90)	10	1
30	23002015	ELBOW (90 DEGREE)	10	1
31 N	23003492	RING, CORBIN	10	1

*Color Code (-)=Not Shown #=Series, Serial Prefix or Run No., N=Not Available

Section: REAR PANEL

Model: MFS35PNFTS



31-Jan-06
504 360B

CW22-08

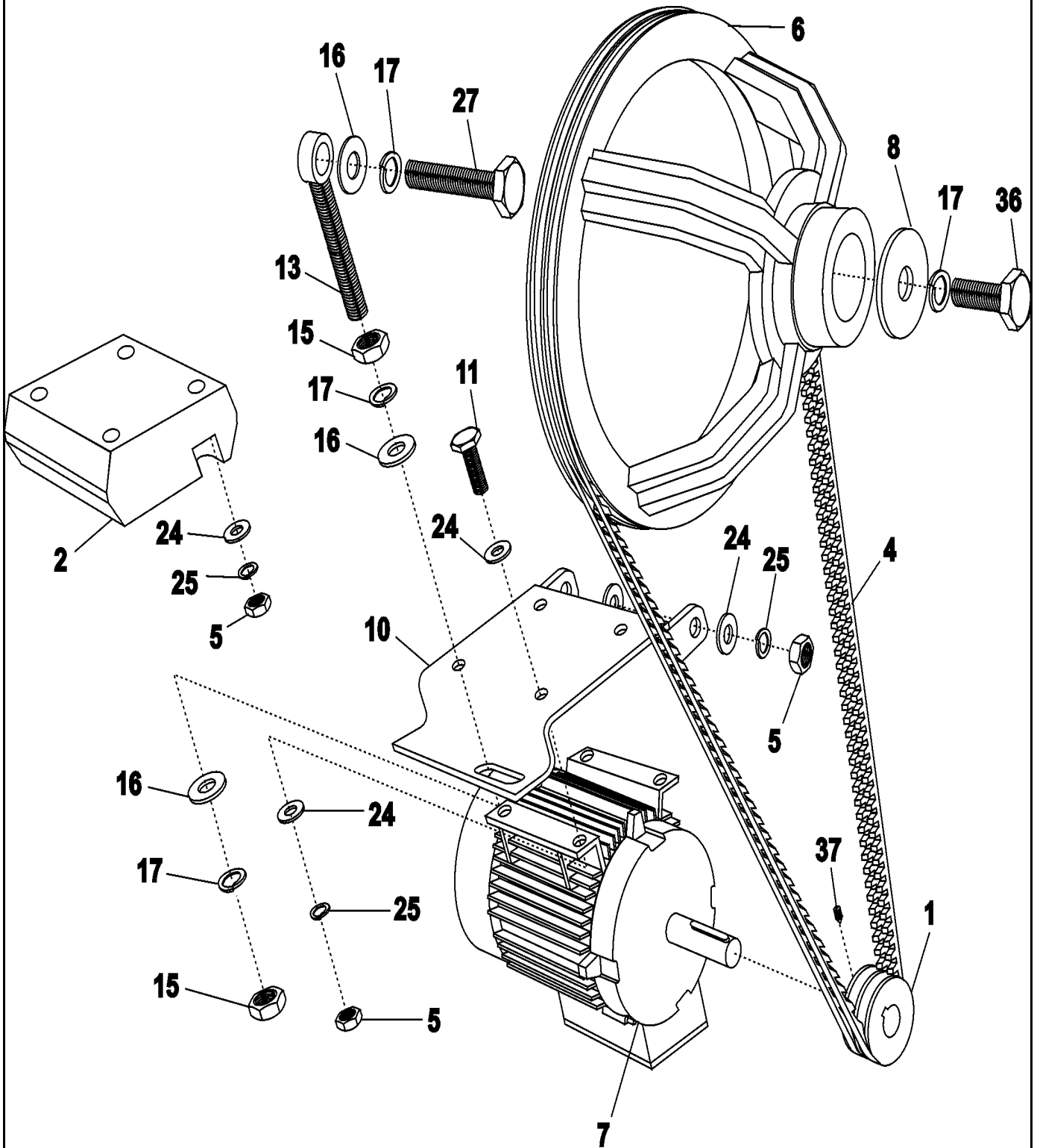
Section: REAR PANEL

No.	Part No.	Description	Series	Qty
1	23004394	PANEL, REAR	10	1
3	N 23003626	SCREW (M4X6)	10	1
4	23001506	CLAMP, HOSE	10	1
5	23001507	WATERHOSE (GREEN)	10	1
6	23002165	VENTILATOR	10	1
8	23001455	VALVE, TWO WAY (220V 50/60HZ)	10	1
9	23003498	FILTER, VALVE	10	1
10	23003497	KNOB	10	1
11	23003500	SWITCH, MAIN (25A)	10	1
14	23002921	WASHER, FILL HOSE	10	1
15	23001523	HOSE, CONNECTION	10	1
16	23002210	HOLDER, FUSE	10	1
17	23003495	FUSE 1A	10	1
20	23004395	BUSHING	10	1
20	23004396	BUSHING, FOR PUMPS	10	1
21	23004397	WARTEL NUT	10	1
21	23004398	WARTEL NUT, FOR PUMPS	10	1
24	N 23002150	BLIND, UNIVERSAL	10	1
24	23003785	PLUG	10	1
24	23003997	PLUG, HOLE	10	1
25	23001476	PLUG, WATER INLET	10	1
26	23002795	PLUG	10	1
27	23001469	STICKER, HOT WATER	10	1
29	N 23001470	STICKER, COLD HARD WATER	10	1
30	23001465	STICKER, ELECTRICITY WARNING	10	1
32	23002053	LABEL, WARNING VENT OUT	10	1
33	N 23001473	STICKER (1A)	10	1
34	23001468	STICKER, SPIN DIRECTION	10	1
36	23004399	SERIAL LABEL	10	1
37	23002920	PLATE, INDEX (FLASH)	10	1
38	N 23002913	LABEL, TERMINAL	10	1
46	23001311	BOLT (M6 X 25)	10	1
47	23001313	WASHER (6.4)	10	1
48	23001312	NUT (M6)	10	1
49	23001028	LOCK WASHER EXTERNAL TEETHM6LU	10	1
51	23002924	T-PART (3/4)	10	1

*Color Code (-)=Not Shown #=Series, Serial Prefix or Run No., N=Not Available

Section: DRIVE

Model: MFS35PNFTS



10-Mar-05
504 362A

CW23-14

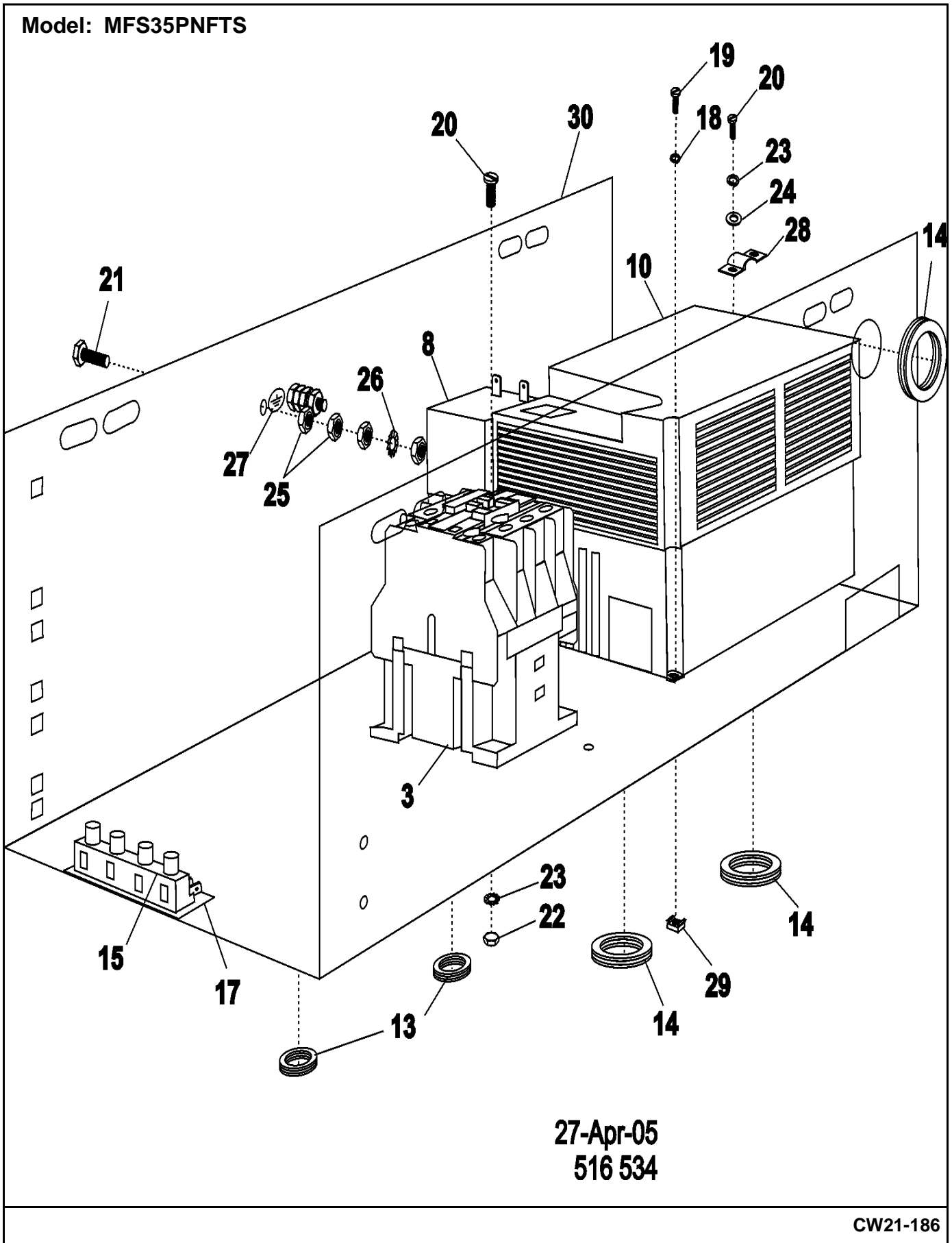
Section: DRIVE

No.	Part No.	Description	Series	Qty
1	23004401	PULLEY, MOTOR	10	1
2	23004402	MOTOR COUNTER WEIGHT	10	1
4	23004403	V-BELT	10	1
5	23003676	NUT (M12)	10	1
6	23004404	PULLEY, DRUM MFS35	10	1
7	23004082	MOTOR 240V 3PHASE	10	1
8	23003591	WASHER	10	1
10	23004405	MOUNTING PLATE, MOTOR	10	1
11	23002661	SCREW (M12 X 35)	10	1
13 N	23002121	SCREW (M16X110)	10	1
15 N	23001848	NUT (M16)	10	1
16	23001735	WASHER (M17)	10	1
17	23003402	SPRING LOCK WASHER 16 DIN 127	10	1
24 N	23001399	WASHER (10.5)	10	1
25	23002658	WASHER (12)	10	1
27	23004040	BOLT M16 X 50	10	1
36	23004040	BOLT M16 X 50	10	1
37 N	23001416	SCREW, SET (M5 X 6)	10	1

*Color Code (-)=Not Shown #=Series, Serial Prefix or Run No., N=Not Available

Section: ELECTRICAL

Model: MFS35PNFTS



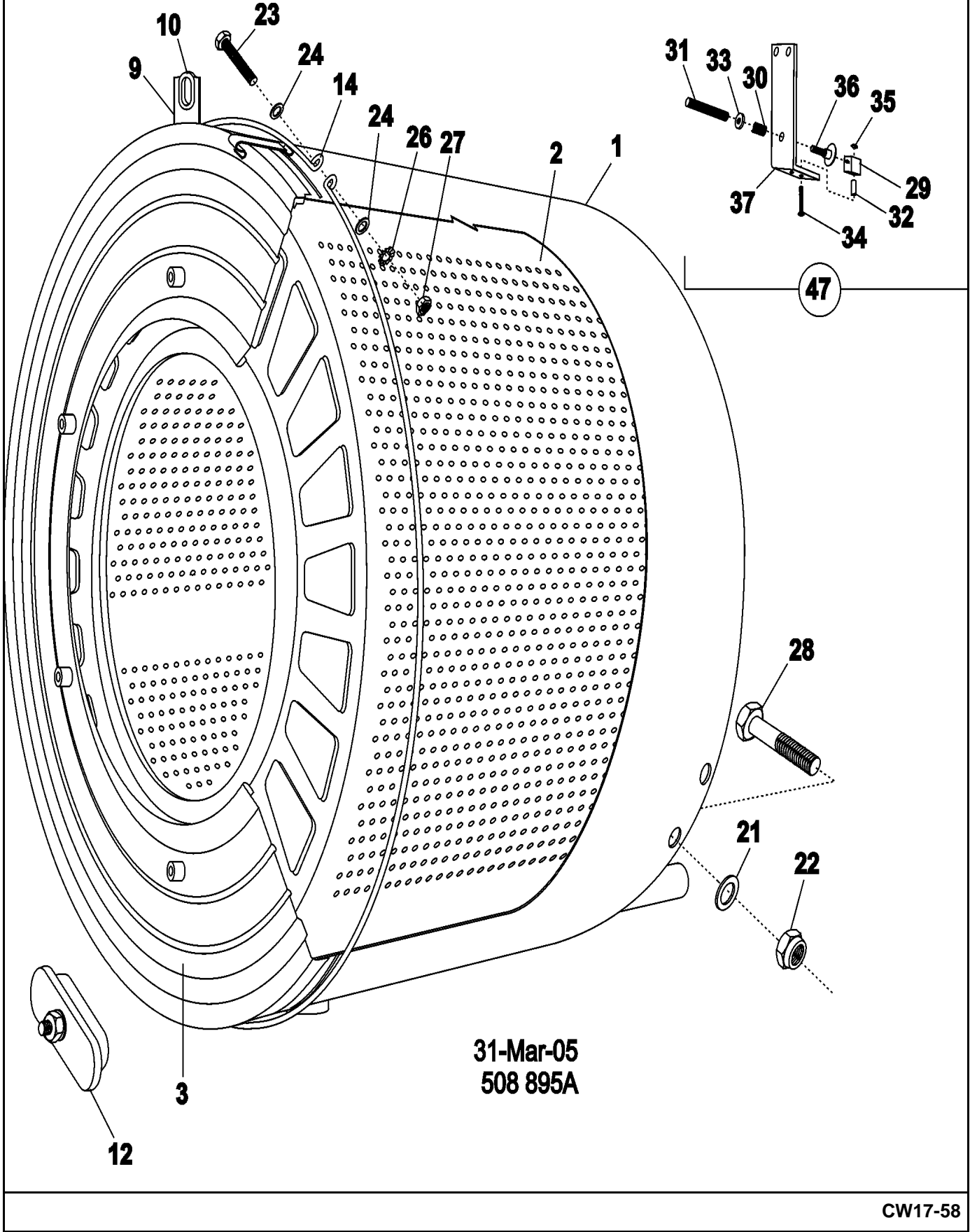
Section: ELECTRICAL

No.	Part No.	Description	Series	Qty
3	23003750	CONTACTOR LC1 DO9	10	1
8	23004406	FILTER, MCG	10	1
10	23003986	INVERTER E520S-2.2KW	10	1
-	23004220	FAN, INVERTER FREQ	10	1
-	23004407	CABLE, COMMUNICATION	10	1
13	23001138	BUSHING, CABLE PASSAGE	10	1
14	23001117	RING, RUBBER (DIA. 25)	10	1
15	23001113	CONNECTOR HOUSING (4 POLE)	10	1
17	23004408	INSULATION PAPER	10	1
18	23001333	LOCK WASHER (M5) LU	10	1
19	23004409	BOLT M5 X 16	10	1
20	23001089	SCREW (M4 X 16 CK)	10	1
21	23001311	BOLT (M6 X 25)	10	1
22	23001055	NUT (M4)	10	1
23	23001013	LOCK WASHER EXTERNAL TEETH M4	10	1
24	23002504	WASHER	10	1
25	23001312	NUT (M6)	10	1
26	23001028	LOCK WASHER EXTERNAL TEETHM6LU	10	1
27	23002505	PLATE, EARTH	10	1
28	23004094	HOLDER	10	1
29	23001448	NUT, RAPID (M5)	10	1
30	23004386	PANEL, ELECTRICAL COMPONENTS	10	1

*Color Code (-)=Not Shown #=Series, Serial Prefix or Run No., N=Not Available

Section: WASH DRUM AND TUB

Model: MFS35PNFTS



CW17-58

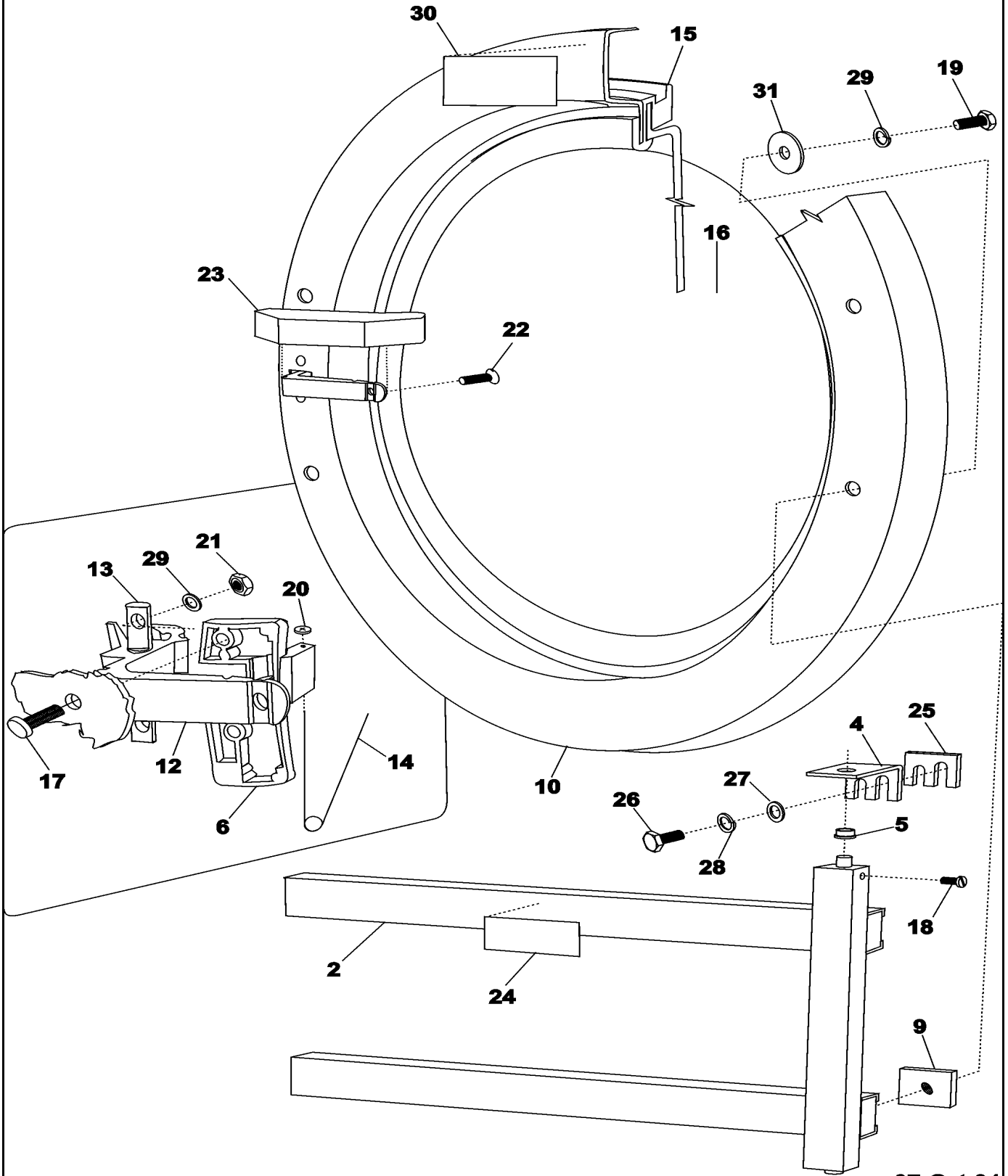
Section: WASH DRUM AND TUB

No.	Part No.	Description	Series	Qty
1	23003897	TUB	10	1
2	23004410	DRUM, INNER TUB	10	1
3	23004411	PLATE, FRONT OUTER DRUM	10	1
-	23004522	SEALING, FRONT PLATE	10	1
9	23003911	PLATE, DETECTION TILT SWITCH	10	1
10	23003539	PASSAGE, CABLE	10	1
12	23001594	BLIND, HEATING ELEMENT	10	1
14	23004142	CLAMP II	10	1
21	N 23003604	WASHER	10	1
22	N 23003605	NUT (M16)	10	1
23	23003541	SCREW (M6X70)	10	1
24	23001309	WASHER (6.4) LU	10	1
26	23001028	LOCK WASHER EXTERNAL TEETH M6 LU	10	1
27	23003606	NUT (M6)	10	1
28	23004523	BOLT M16X70	10	1
29	23003899	MICRO SWITCH	10	1
30	23003900	SPRING	10	1
31	23003901	SPRING	10	1
32	23003902	SPACER	10	1
33	23002951	WASHER, FIBER	10	1
34	23003903	SCREW M3X25	10	1
35	23001053	NUT (M3)	10	1
36	23003904	SPRING HOLDER TILT SWITCH	10	1
37	23003905	SUPPORT TILT SWITCH	10	1
47	23004414	TILT SWITCH COMPLETE	10	1

*Color Code (-)=Not Shown #=Series, Serial Prefix or Run No., N=Not Available

Section: DOOR

Model: MFS35PNFTS



07-Oct-04
507 447A

CW10-81

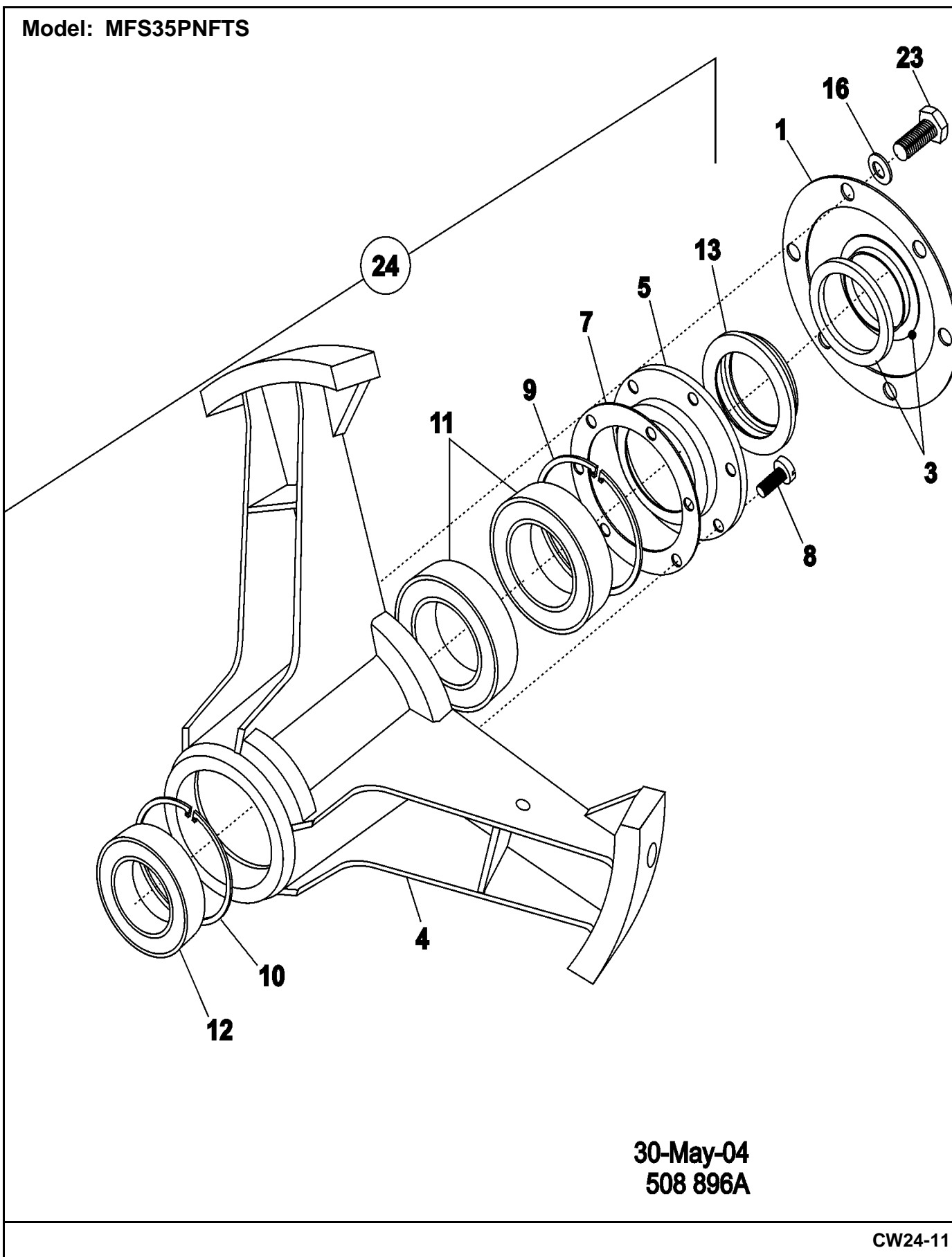
Section: DOOR

No.	Part No.	Description	Series	Qty
2	23003094	DOORHOLDER	10	1
4	23003095	HINGE	10	1
5	23003096	PIECE, INSERTION	10	1
6	23001370	HANDLE, LEVER PLATE	10	1
9 N	23003098	NUT, DOORHOLDER	10	1
10	23002261	RING, DOOR	10	1
12	23003858	HANDLE	10	1
13	23001168	SHAFT, LEVER	10	1
14	23001169	SPRING, HANDLE LEVER	10	1
15	23003859	DOORSEAL	10	1
16	23003103	GLASS	10	1
17	23001175	SCREW (M6X20 STAINLESS STEELLU	10	1
18	23001621	SCREW (M4X12) LU	10	1
19	23002279	BOLT (M6X20)	10	1
20	23002499	WASHER	10	1
21	23002280	NUT (M6)	10	1
22	23003793	BOLT M4X12	10	1
23	23003860	PLATE, HANDLE ORNAMENTAL	10	1
24	23001468	STICKER, SPIN DIRECTION	10	1
25 N	23003104	WASHER, HINGE	10	1
26	23002723	SCREW (M8 X 22)	10	1
27	23001608	WASHER (M8) LU	10	1
28	23002727	WASHER (8) LU	10	1
29	23002130	WASHER (6)	10	1
30	23002297	LABEL, HEATWARNING	10	1
31	23002265	WASHER	10	1

*Color Code (-)=Not Shown #=Series, Serial Prefix or Run No., N=Not Available

Section: TRUNNION

Model: MFS35PNFTS



30-May-04
508 896A

CW24-11

Section: TRUNNION

No.	Part No.	Description	Series	Qty
1	23003607	PLATE, PRESSURE	10	1
3	23003608	RING, COUNTER	10	1
4	23003609	HOUSING, BEARING	10	1
5	23003610	RING, JOINT	10	1
7	23004412	SEAL	10	1
8	23001184	SCREW (M5X12 STAINLESS STEEL)	10	1
9	23003612	RING, SECURING (D110)	10	1
10	23003613	RING, SECURING (D100)	10	1
11	23003614	BEARING	10	1
12	23003615	BEARING	10	1
13	23003616	SEAL, AXIAL	10	1
16	23001201	WASHER (DIA. 22X11X1 BRASS)	10	1
23	23001389	BOLT (M10 X 25 STNLS STEEL)	10	1
24	23004413	BEARING HSG COMPLETE	10	1

*Color Code (-)=Not Shown #=Series, Serial Prefix or Run No., N=Not Available

