

WASHER

Repair Parts List

MODEL NUMBER

MFS50PNAVS

When requesting service or ordering parts, always provide the following information:

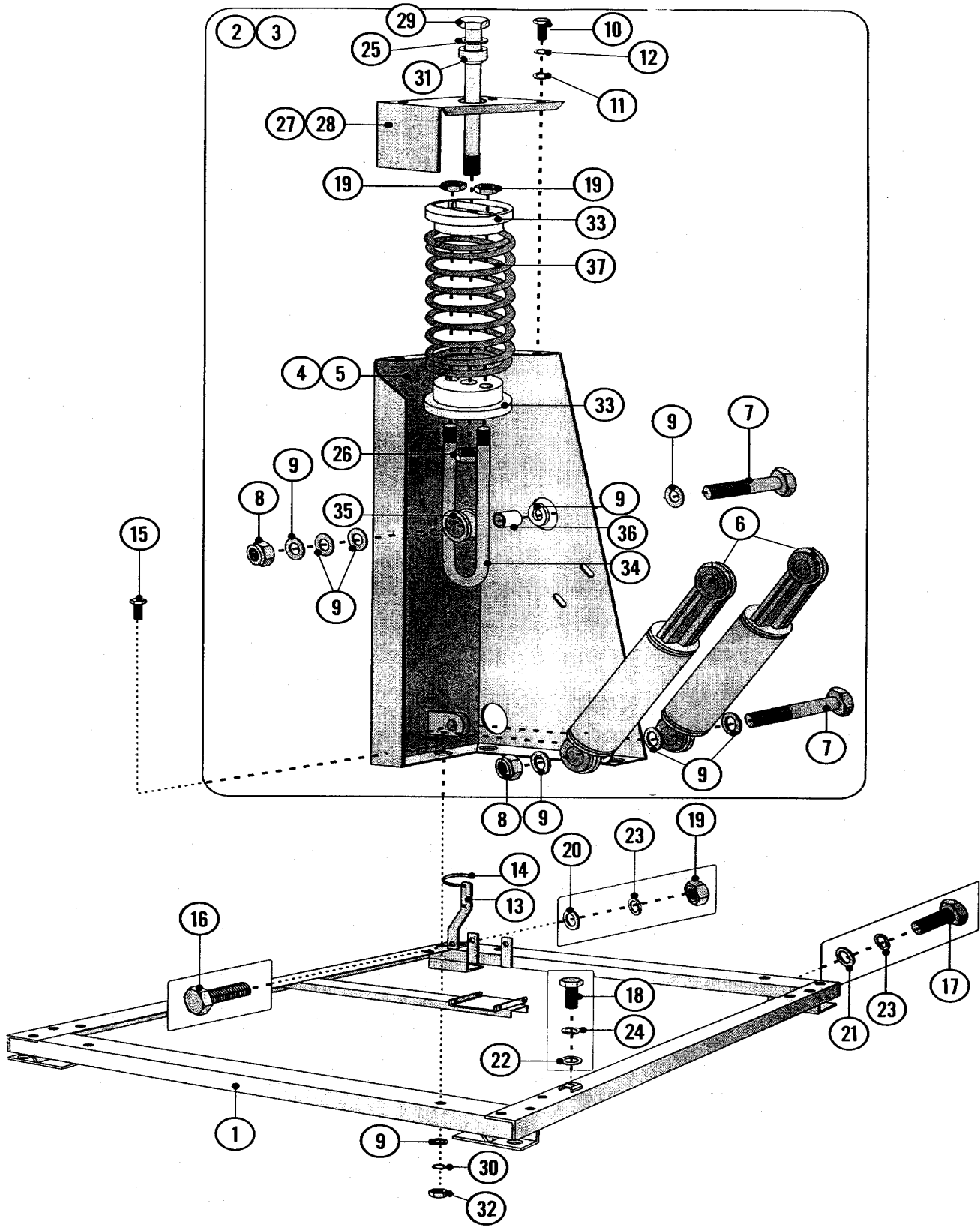
- Product Type
- Part Number
- Model Number
- Part Description

MAYTAG®

©2005 Maytag Services

Section: BASE

Model: MFS50PNAVS



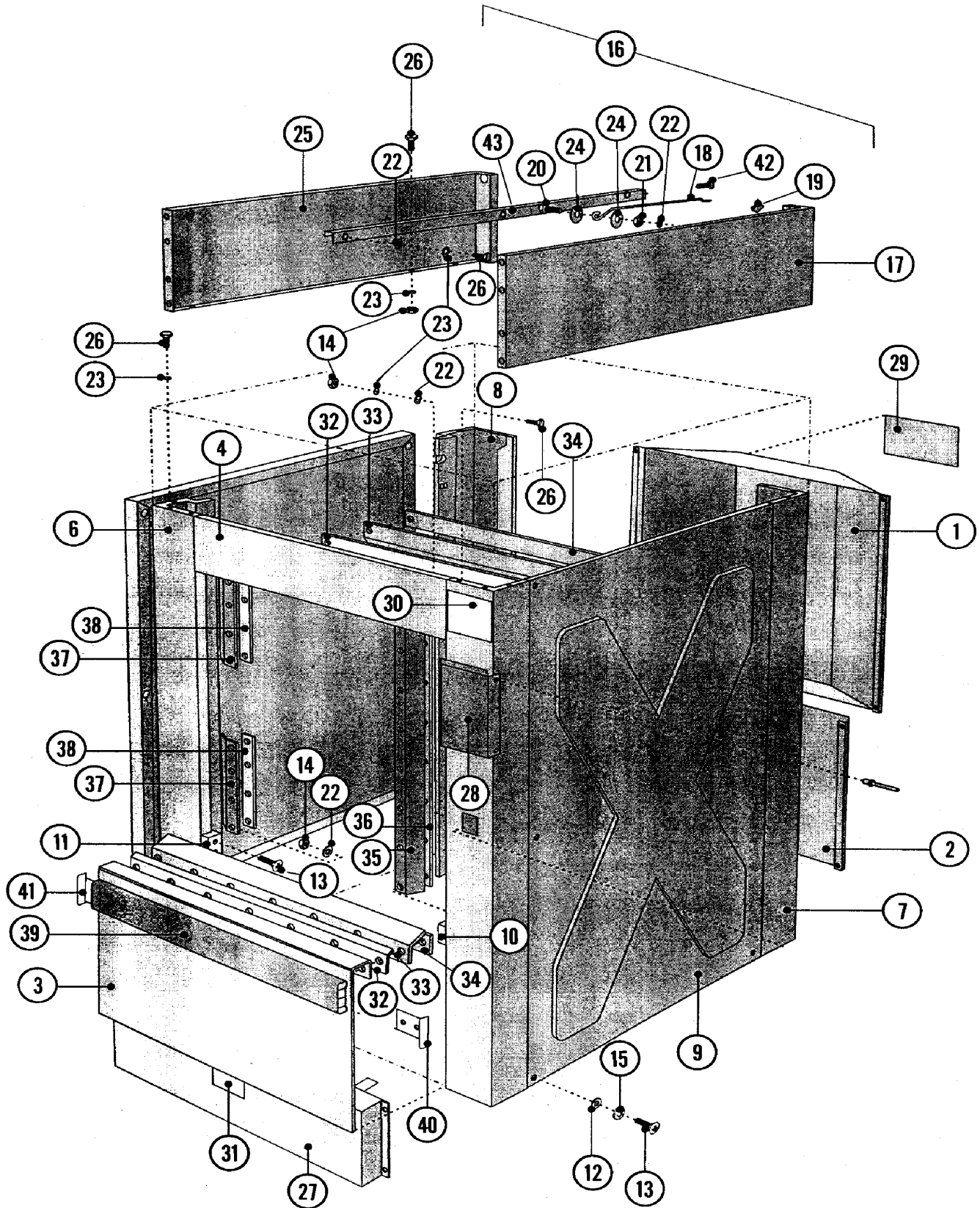
Section: BASE

No.	Part No.	Description	Series	Qty
1	23002978	FRAME, FOUNDATION	10	1
2	23002979	LEG (COMPLETE)	10	2
3	23002980	LEG (COMPLETE)	10	2
4	23002981	LEG	10	2
5	23002982	LEG	10	2
6	23002983	DAMPER (RD 12-2)	10	8
7	23002984	SCREW (M10X80)	10	4
8	23002356	NUT (M10)	10	4
9	23002655	WASHER (10/5)	10	14
10	23002354	SCREW (M6X16)	10	20
11	23002282	WASHER (6)	10	20
12	23002357	WASHER	10	20
13	23002985	HOLDER	10	1
14	23002986	STRIP, BINDING	10	2
15	23002987	SCREW (M10X30)	10	16
16	23002475	BOLT (M8X20)	10	1
17	23001784	BOLT (M8X14)	10	1
18	23001733	SCREW (M6X10)	10	1
19	23002435	NUT (M8)	10	6
20	23002653	WASHER (8/6)	10	6
21 N	23002810	WASHER (8.4)	10	1
22	23002726	WASHER (6)	10	1
23	23002358	WASHER (M8)	10	7
24	23002357	WASHER	10	1
25	23002988	WASHER (10.5)	10	4
26	23002356	NUT (M10)	10	8
27	23002989	PLATE, SMALL	10	2
28	23002990	PLATE, SMALL	10	2
29	23002991	SCREW	10	4
30	23002654	WASHER (10)	10	16
31	23002992	BUSHING, SUSPENSION BOLT	10	4
32	23001661	NUT (M10)	10	16
33	23002993	HOLDER, SPRING (PLASTIC)	10	8
34	23002994	HOOK, SUSPENSION	10	4
35	23002692	SLEEVE	10	4
36	23002995	PIECE, INSERTION	10	4
37	23002996	SPRING	10	4

*Color Code (-)=Not Shown #=Series, Serial Prefix or Run No., N=Not Available

Section: CABINET

Model: MFS50PNAVS



CW12-28

Section: CABINET

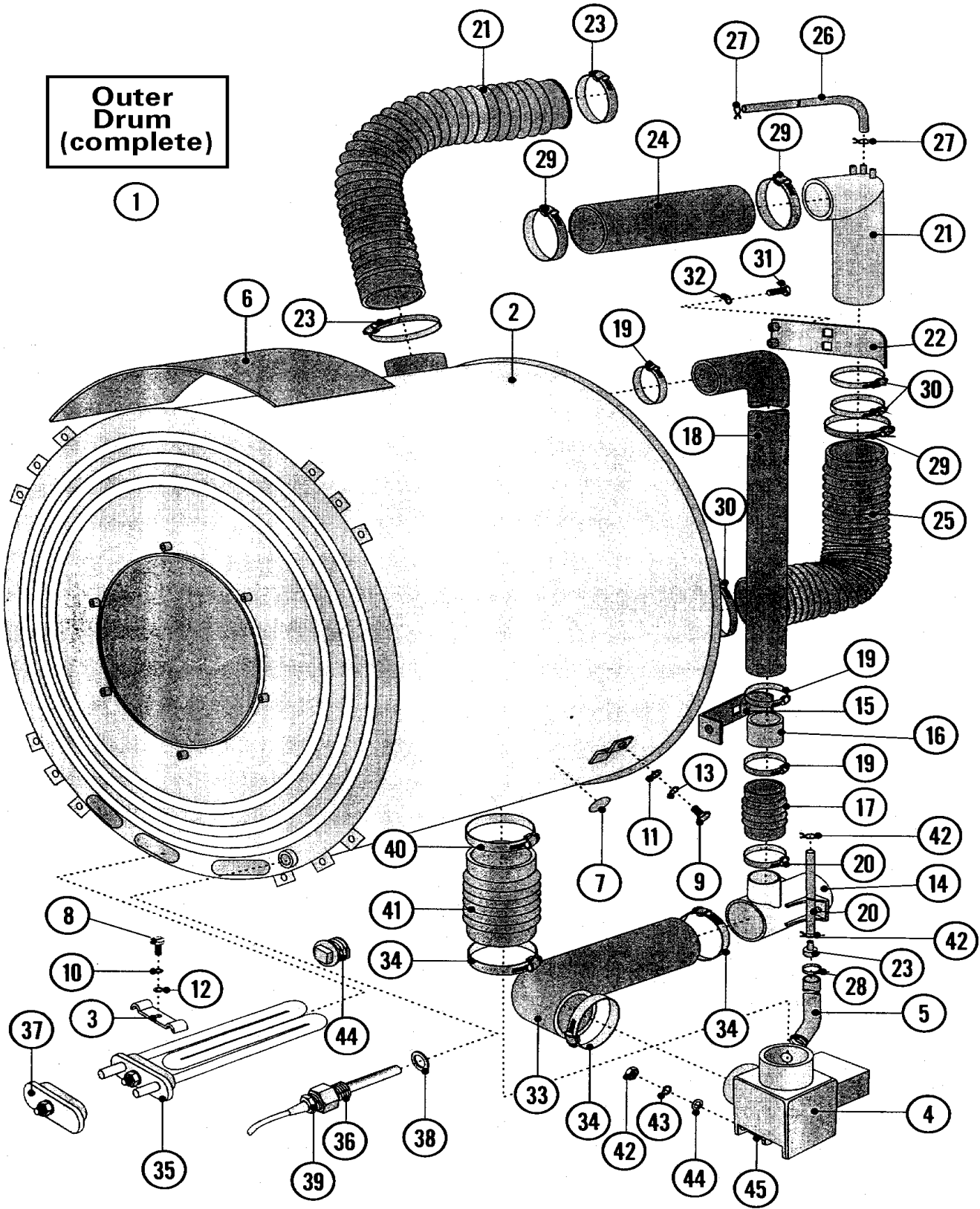
No.	Part No.	Description	Series	Qty
1	23002997	COVER, UPPER (REAR)	10	1
2	23002999	COVER, REAR (LOWER-STEAM)	10	1
2	23002998	COVER, REAR (LOWER)	10	1
3	23003000	COVER, FRONT (LOWER)	10	1
4	23003001	COVER, FRONT (UPPER)	10	1
5	23003002	COVER, CORNER (FRONT-RIGHT)	10	1
6	23003003	COVER, CORNER (FRONT-LEFT)	10	1
7	23003004	COVER, CORNER (REAR-LEFT)	10	1
8	23003005	COVER, CORNER (REAR-RIGHT)	10	1
9	23003006	COVER, SIDE	10	2
10	23003007	SUPPORT, PLASTIC (LEFT)	10	1
11	23003008	SUPPORT, PLASTIC (RIGHT)	10	1
12	23002458	WASHER (FIBER)	10	16
13	23002375	SCREW (M6X40)	10	20
14	23002436	NUT (M6)	10	8
15	23001337	WASHER, FINISHING	10	16
16	23003010	COVER (COMPLETE)	10	1
17	23003011	COVER	10	1
18	23001330	SUPPORT ROD, TOP PANEL	10	1
19 N	23002208	HOOK, STICK	10	1
20	23002463	SCREW (M6 X 30)	10	1
21	23002471	NUT	10	1
22	23002282	WASHER (6)	10	12
23	23002357	WASHER	10	3
24	23003012	WASHER LU	10	2
25 N	23003013	COVER	10	1
26	23002354	SCREW (M6X16)	10	22
27 N	23003014	COVER, HEATING UNIT	10	1
28 N	23003015	POCKET	10	1
29	23001550	LABEL, EARTH	10	1
30 N	23003020	LABEL, NOTICE	10	1
30 N	23003016	LABEL, NOTICE	10	1
30 N	23003022	LABEL, NOTICE	10	1
30 N	23003021	LABEL, NOTICE	10	1
30	23002190	LABEL, ENGLISH	10	1
30 N	23003019	NOTICE, LABEL	10	1
30 N	23003018	LABEL, NOTICE	10	1
30 N	23003017	LABEL, NOTICE	10	1
31 N	23003023	LABEL, FLASH	10	1
32 N	23003024	BAR	10	2
33 N	23003025	STRIP, PREVENTING	10	2
34 N	23003026	STRIP	10	2
35 N	23003027	STRIP, PREVENTING	10	1
36	23003028	STRIP	10	1
37 N	23003029	STRIP, PREVENTING	10	2
38 N	23003030	STRIP	10	2
39	23002411	PROFILE	10	1
40	23002410	BAR, SIDE	10	2
41	23002409	BAR, INSIDE	10	1
42	23002861	SCREW (M6X25) LU	10	2
43 N	23003031	HOLDER (COMPLETE)	10	1

*Color Code (-)=Not Shown #=Series, Serial Prefix or Run No., N=Not Available

Section: BASKET & OUTER SHELL ASSEMBLY

Model: MFS50PNAVS

Outer Drum
(complete)



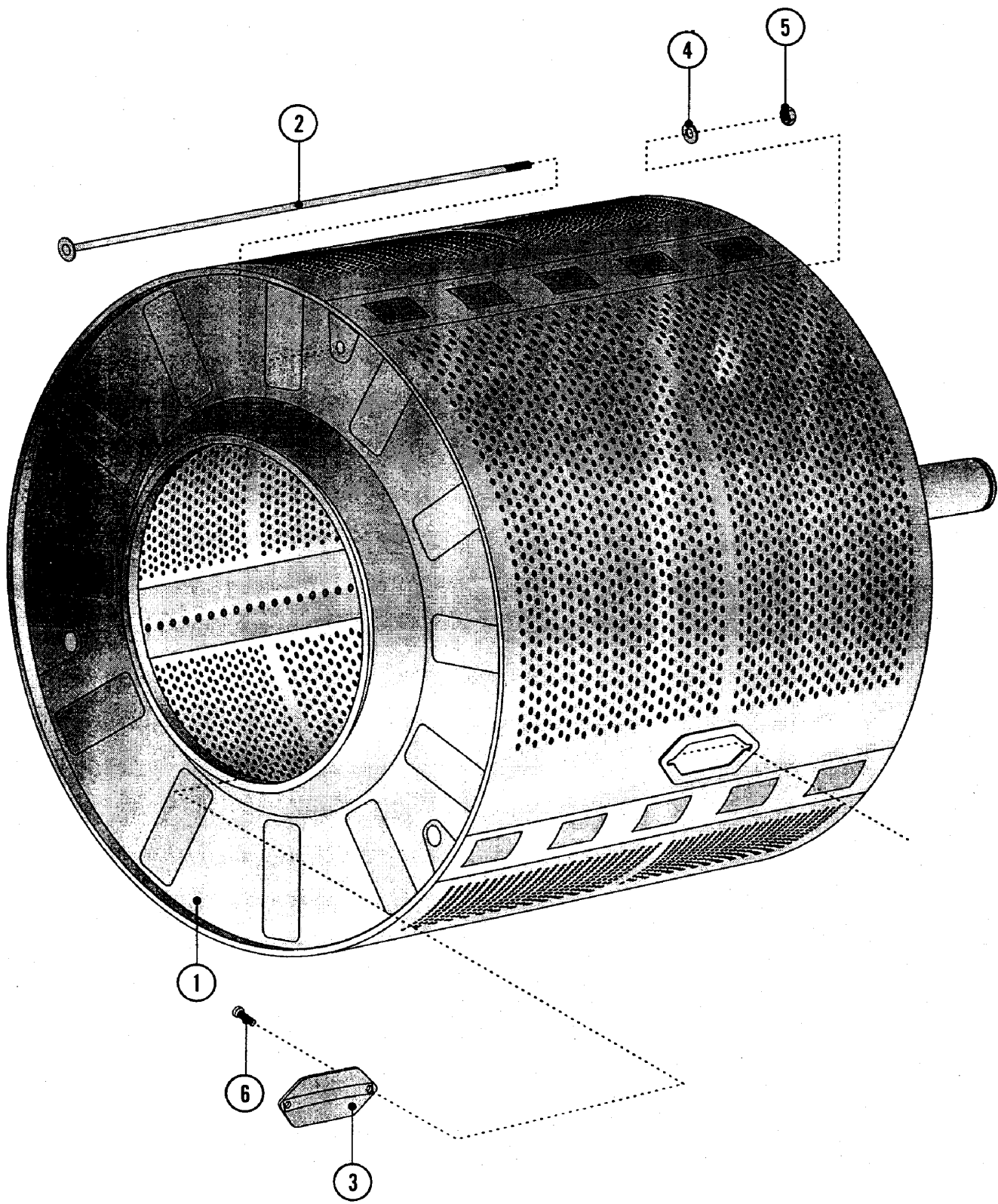
Section: BASKET & OUTER SHELL ASSEMBLY

No.	Part No.	Description	Series	Qty
1	23003032	DRUM, OUTER (COMPLETE)	10	1
2	23003033	DRUM, OUTSIDE	10	1
3	N 23003034	GRIP	10	1
4	23001244	VALVE, DRAIN (240V-50/60HZ)	10	1
5	23003035	ELBOW	10	1
6	23003036	PLATE, BLACK	10	1
7	N 23001546	LABEL, EARTH	10	1
8	23001781	BOLT (M4X10)	10	3
9	23001733	SCREW (M6X10)	10	1
10	23002129	WASHER (M4)	10	3
11	23002129	WASHER (M4)	10	1
12	23002674	SPRING, LOCK WASHER	10	3
13	23002357	WASHER	10	1
14	23001253	DRAIN TEE	10	1
15	N 23003037	HOLDER, OVERFLOW HOSE	10	1
16	23003038	TUBE	10	1
17	23003039	HOSE, RUBBER	10	1
18	23002017	HOSE, OVERFLOW	10	1
19	23001261	CLAMP, HOSE (32-50)	10	4
20	23001252	HOSE, WATER LEVEL SWITCH	10	1
21	23003040	ELBOW	10	1
22	23003041	HOLDER, AIR BREAK	10	1
23	23001260	BUSHING, AIR DOME HOSE	10	1
24	23001589	TUBE, SOAP BOX (1=210MM)	10	1
25	23003042	HOSE, RUBBER	10	1
26	23002193	HOSE	10	1
27	23001506	CLAMP, HOSE	10	1
28	23001262	CLAMP, HOSE (20-32)	10	2
29	23001256	CLAMP, HOSE (60-80)	10	3
30	23001750	RING, CLAMP (40-60)	10	3
31	23001641	SCREW (M6X16)	10	2
32	23002130	WASHER (6)	10	2
33	23003043	ELBOW	10	1
34	23001258	CLAMP, HOSE (70-90)	10	3
35	23002482	ELEMENT, HEAT 100-125LB	10	3
36	23001073	SENSOR, TEMPERATURE	10	1
37	23001594	BLIND, HEATING ELEMENT	10	1
38	23002179	WASHER	10	1
39	23001592	ADAPTOR	10	1
40	23001025	CLAMP, HOSE (DIA 90/110)	10	1
41	23003044	HOSE, RUBBER OUTLET	10	1
42	23001257	CLAMP, CORBIN (A5.5)	10	2
43	23002358	WASHER (M8)	10	1
44	23002653	WASHER (8/6)	10	1
45	N 23003045	SCREW (M8X20)	10	1
46	23002435	NUT (M8)	10	2

*Color Code (-)=Not Shown #=Series, Serial Prefix or Run No., N=Not Available

Section: INNER TUB

Model: MFS50PNAVS



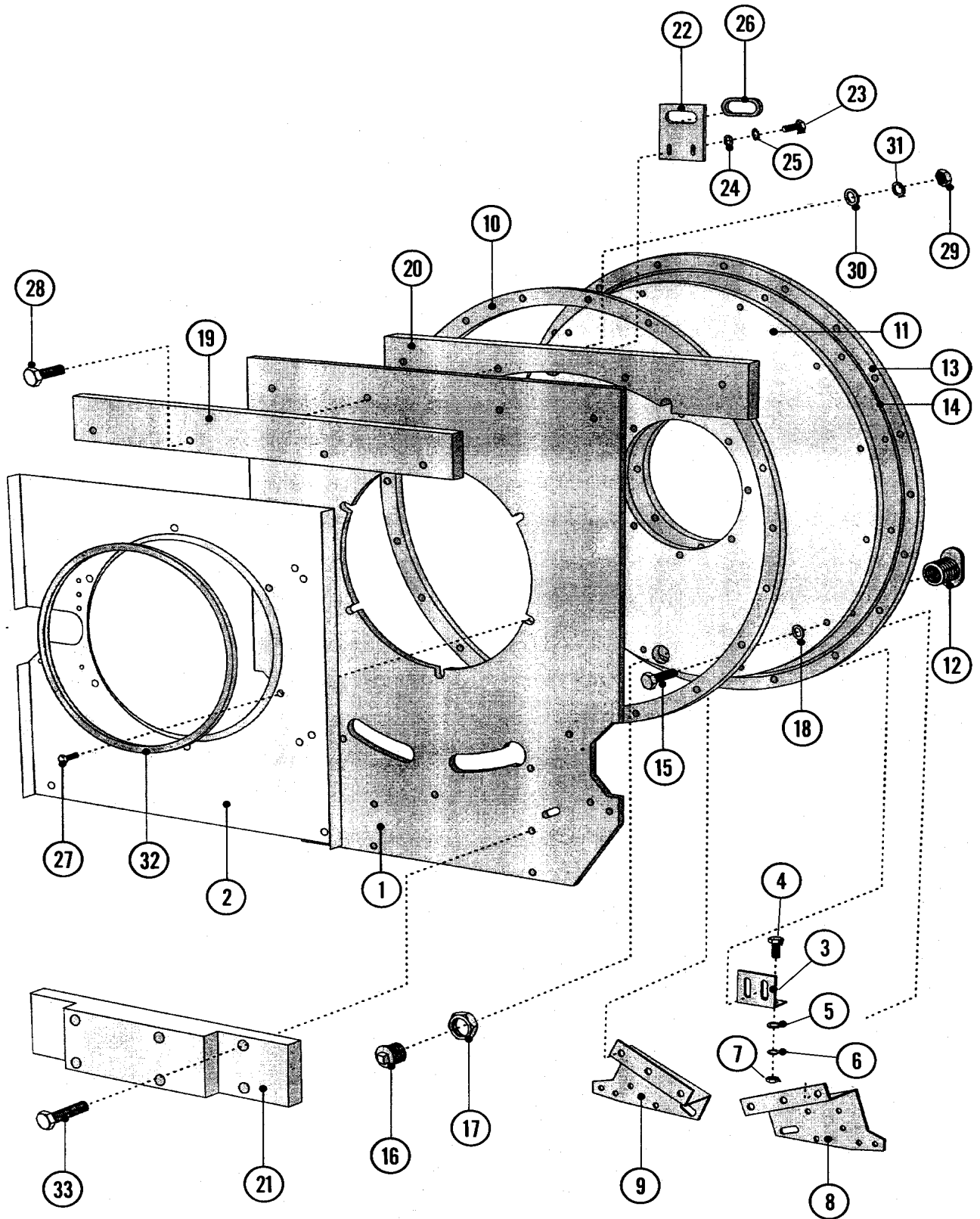
Section: INNER TUB

No.	Part No.	Description	Series	Qty
1	23003046	DRUM, WASHING	10	1
2	23003047	BOLT	10	3
3	23002259	COVER	10	1
4	23002258	WASHER M14	10	3
5	N 23003048	NUT (M10)	10	3
6	23002617	SCREW (M4X8)	10	2

*Color Code (-)=Not Shown #=Series, Serial Prefix or Run No., N=Not Available

Section: FRONT COUNTER WEIGHT

Model: MFS50PNAVS



CW21-117

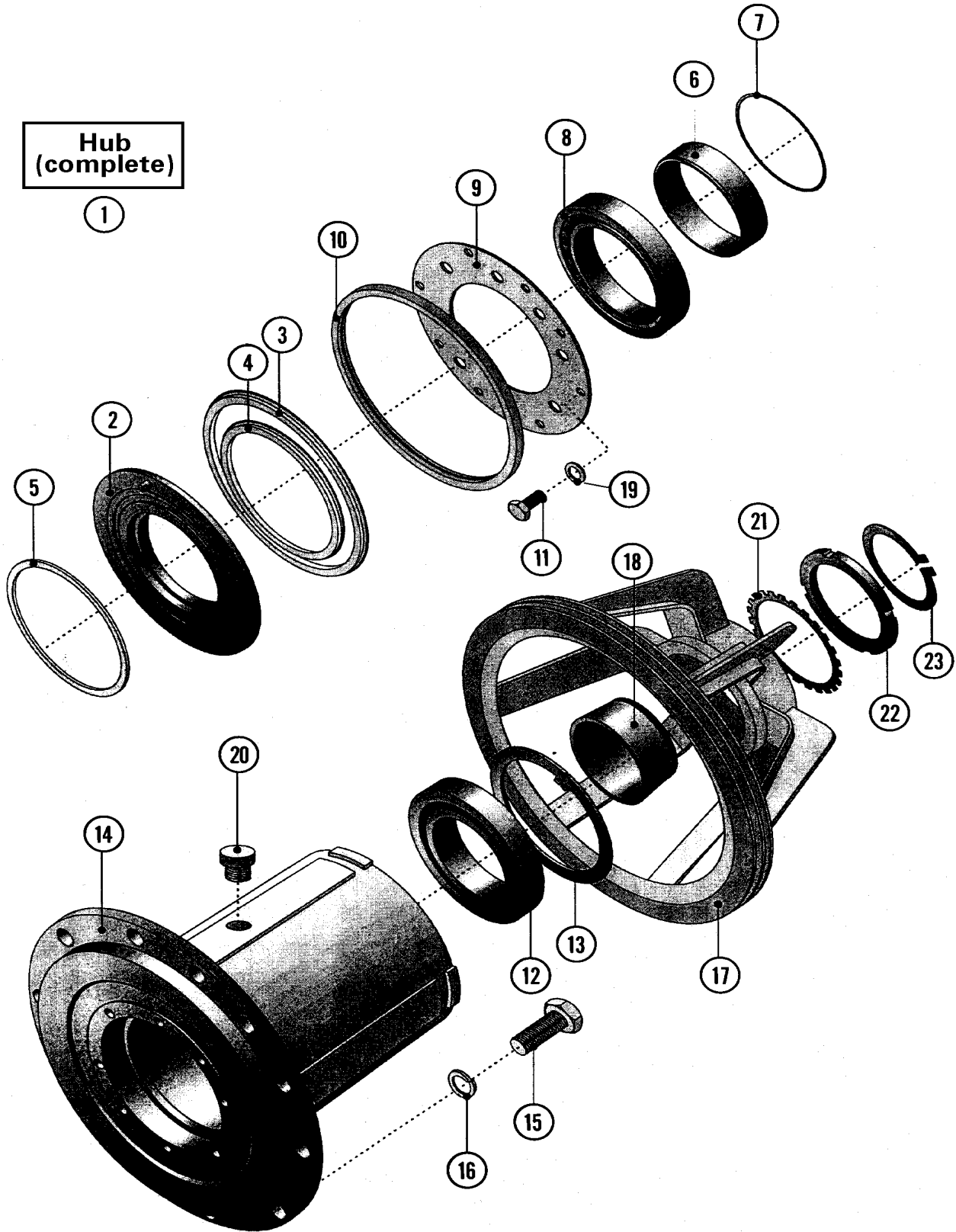
Section: FRONT COUNTER WEIGHT

No.	Part No.	Description	Series	Qty
1	23003049	COUNTER WEIGHT (FRONT)	10	1
2	23003050	COVER	10	1
3	23003051	SUPPORT	10	1
4	23002987	SCREW (M10X30)	10	2
5	23002655	WASHER (10/5)	10	2
6	23002654	WASHER (10)	10	2
7	23001661	NUT (M10)	10	2
8	23003052	HOLDER, DAMPER	10	1
9	23003053	DAMPER, HOLDER	10	1
10	23003054	RING, ASSEMBLING DRUM	10	1
11	23003055	PLATE, BACK	10	1
12	23003056	JOINT, SCREW	10	1
13	23003057	PLATE, BACK (CAST IRON)	10	1
14	23003058	SEALING	10	1
15	23002353	SCREW (M6X12)	10	20
16	23002480	PLUG (3/4)	10	1
17	23003059	NUT, BINDING	10	1
18	23002281	WASHER (6-COPPER)	10	20
19	23003060	WEIGHT (UPPER)	10	1
20	23003061	WEIGHT (UPPER-2)	10	2
21	23003062	WEIGHT (LOWER)	10	2
22	23003063	PLATE, OUT OF BALANCE	10	1
23	23002462	SCREW (M6 X 20) LU	10	2
24	23002282	WASHER (6)	10	2
25	23002357	WASHER	10	2
26	23001117	RING, RUBBER (DIA. 25)	10	1
27	23002721	SCREW (M4 X 12)	10	6
28 N	23003064	SCREW (M8X80)	10	8
29	23002435	NUT (M8)	10	10
30	23002653	WASHER (8/6)	10	10
31	23002358	WASHER (M8)	10	10
32	23001088	RUBBER TRIM	10	1
33 N	23003065	SCREW (M10X120)	10	8

*Color Code (-)=Not Shown #=Series, Serial Prefix or Run No., N=Not Available

Section: BEARINGS & TRUNNION ASSEMBLY

Model: MFS50PNAVS



CW21-115

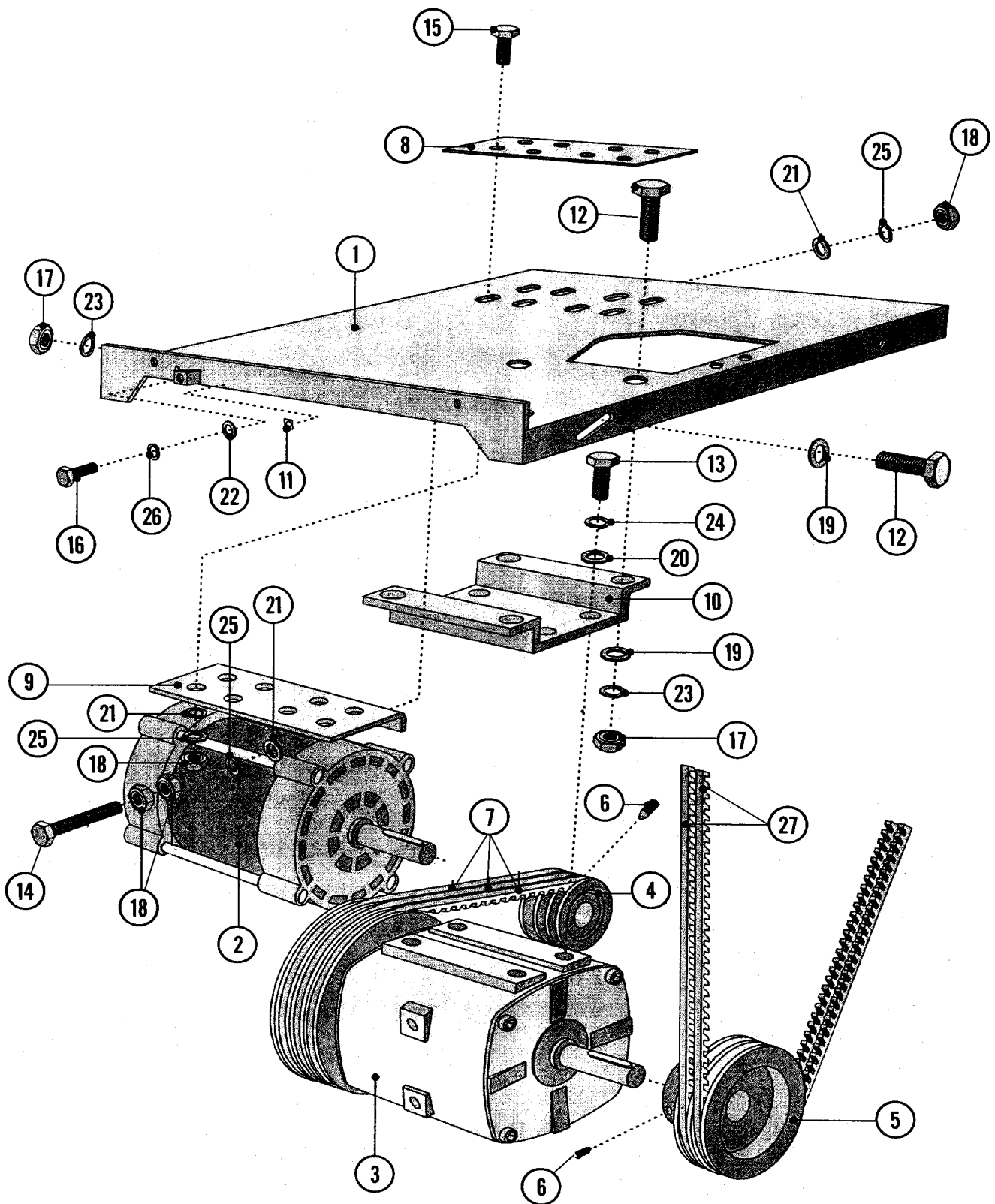
Section: BEARINGS & TRUNNION ASSEMBLY

No.	Part No.	Description	Series	Qty
1	23003066	HUB (COMPLETE) LU	10	1
2	23003067	DISK	10	1
3	23003068	SEALING	10	1
4	23003069	SEALING	10	1
5	23003070	O-RING	10	1
6	23003071	RING	10	1
7	23003072	RING	10	1
8	23003073	BEARING	10	1
9	23003074	BOARD, PACKING	10	1
10	23003075	U-SEALING	10	1
11	23002353	SCREW (M6X12)	10	1
12	23003076	BEARING	10	1
13	23003077	RING, RETAINING	10	1
14	23003078	HUB	10	1
15	23003079	SCREW (M12X40)	10	16
16	23002658	WASHER (12)	10	16
17	23003080	PULLEY, BELT	10	1
18	23001653	BUSHING	10	1
19	23002281	WASHER (6-COPPER)	10	1
20	23003081	STOPPER	10	1
21	23001868	RING, SAFETY	10	1
22	23001867	RING, FASTENING	10	1
23	23003082	RING, RETAINING	10	1

*Color Code (-)=Not Shown #=Series, Serial Prefix or Run No., N=Not Available

Section: MOTOR & BASKET PULLEY

Model: MFS50PNAVS



CW21-118

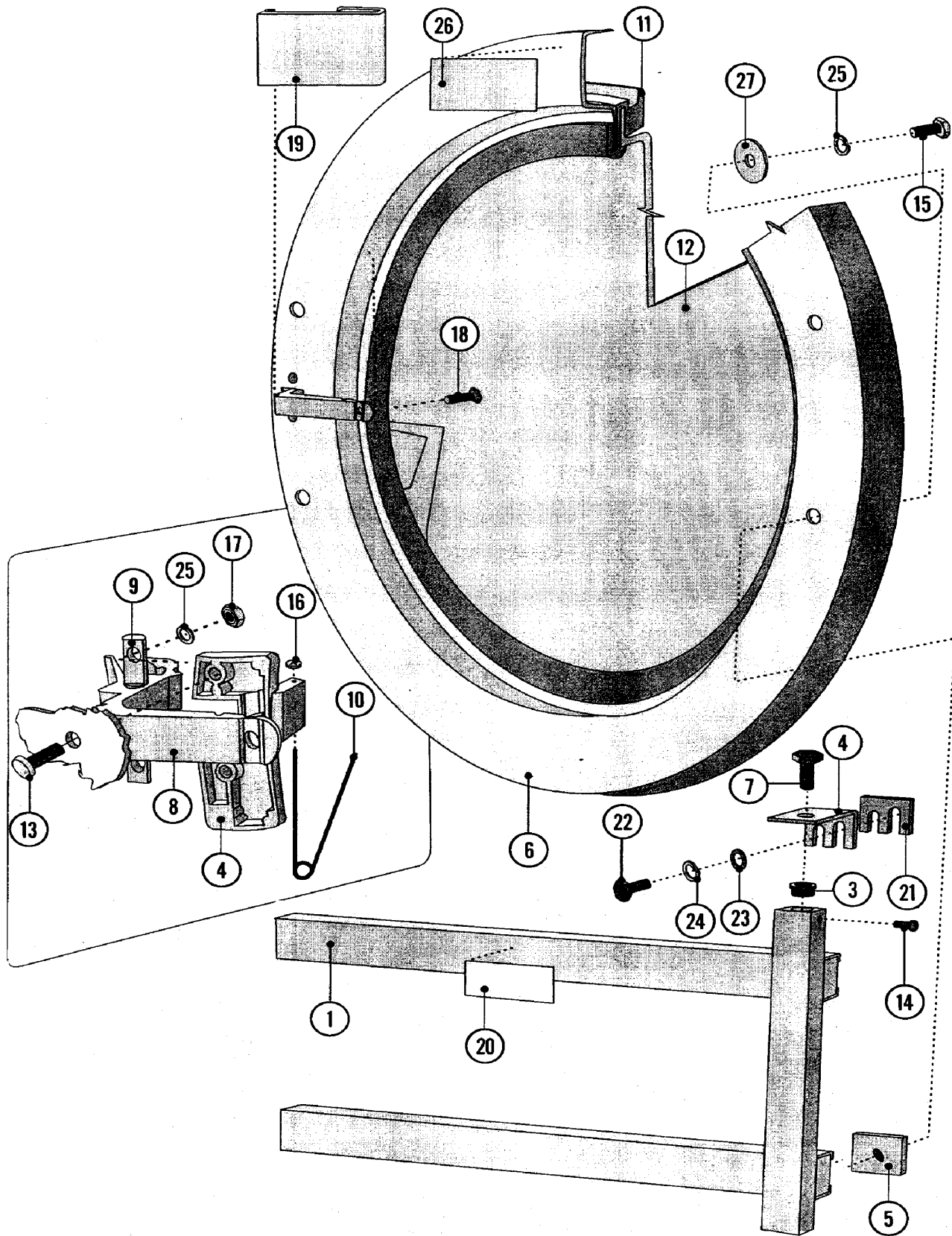
Section: MOTOR & BASKET PULLEY

No.	Part No.	Description	Series	Qty
1	23003083	PLATE, DRIVE (COMPLETE)	10	1
2	23003084	MOTOR, WASH (208-240V, 60HZ)	10	1
3	23003085	MOTOR, SPIN (208-240V, 60HZ)LU	10	1
4	23003086	V-PULLEY, WASH MOTOR	10	11
5	23003087	V-PULLEY, SPIN MOTOR	10	1
6	23001658	SCREW (M6X10)	10	2
7	23003093	V-BELT	10	3
8	N 23003088	WASHER	10	1
9	N 23003089	HOLDER, WASHING MOTOR	10	1
10	23003090	BRIDGE	10	1
11	N 23001546	LABEL, EARTH	10	1
12	23002661	SCREW (M12 X 35)	10	9
13	23002648	SCREW (M10 X 20)	10	4
14	N 23003064	SCREW (M8X80)	10	6
15	23002434	SCREW (M8 X 30)	10	8
16	23001733	SCREW (M6X10)	10	4
17	N 23003091	NUT (M12)	10	9
18	23002435	NUT (M8)	10	10
19	23002657	WASHER (13)	10	16
20	23002655	WASHER (10/5)	10	28
21	23002653	WASHER (8/6)	10	19
22	23002282	WASHER (6)	10	2
23	23002658	WASHER (12)	10	8
24	23002654	WASHER (10)	10	18
25	23002358	WASHER (M8)	10	18
26	23002357	WASHER	10	5
27	23003092	V-BELT (60HZ)	10	2
28	N 23002288	SHIELD, MOTOR	10	2

*Color Code (-)=Not Shown #=Series, Serial Prefix or Run No., N=Not Available

Section: DOOR

Model: MFS50PNAVS



CW10-42

Section: DOOR

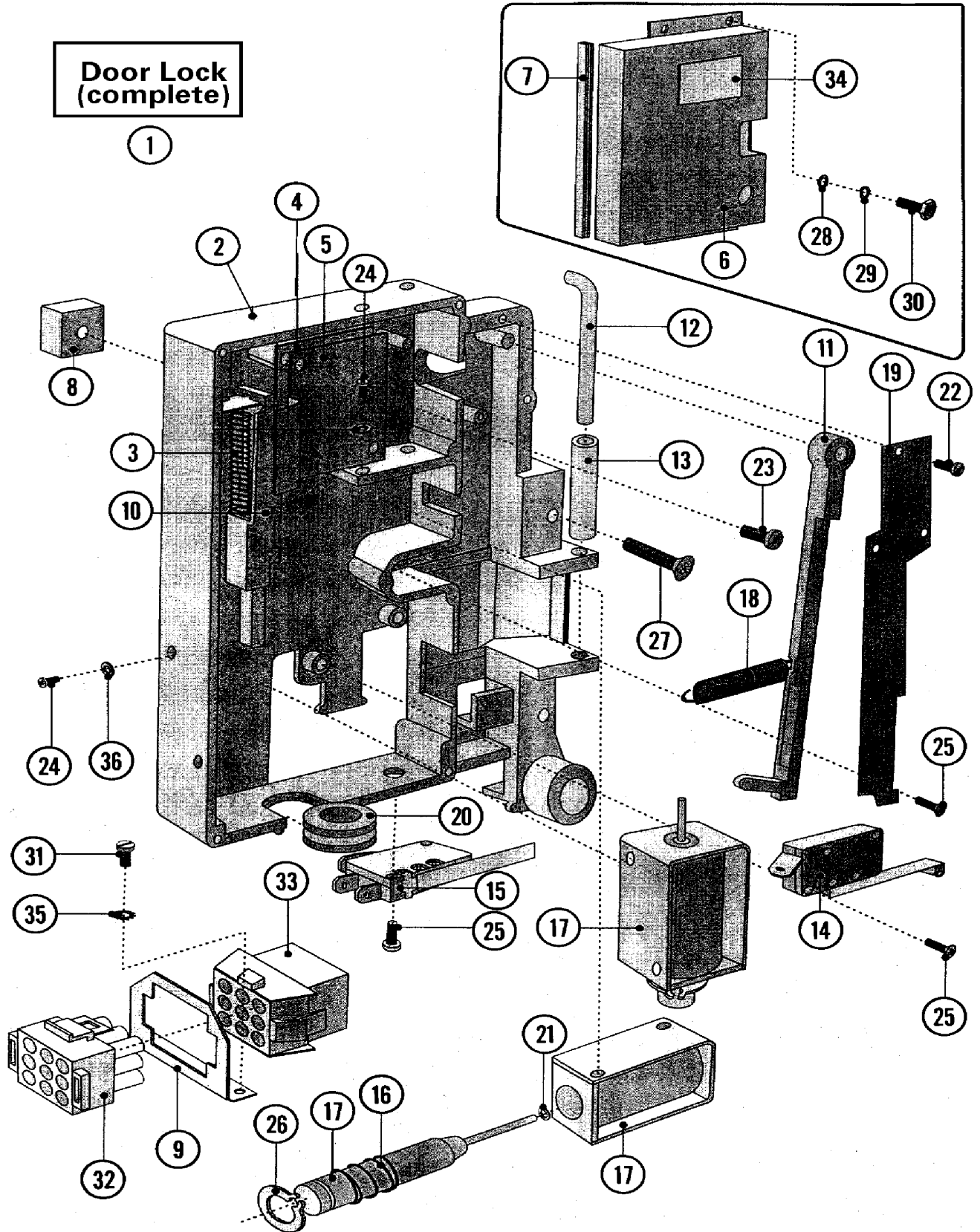
No.	Part No.	Description	Series	Qty
1	23003094	DOORHOLDER	10	1
2	23003095	HINGE	10	2
3	23003096	PIECE, INSERTION	10	2
4	23003097	PLATE, HINGE	10	1
5	N 23003098	NUT, DOORHOLDER	10	4
6	23002261	RING, DOOR	10	1
7	23002266	BOLT (M10)	10	2
8	23001510	HANDLE, DOOR	10	1
8	23003633	LEVER, DOOR	14	1
9	23001168	SHAFT, LEVER	14	1
9	23003100	PIN	10	1
10	23003101	SPRING	10	1
11	23001612	SEAL, DOOR	10	1
12	23003103	GLASS	10	1
13	23001175	SCREW (M6X20 STAINLESS STEEL) LU	10	2
14	23001621	SCREW (M4X12) LU	10	2
15	23002279	BOLT (M6X20)	10	4
16	23001057	SPEEDNUT (M3)	10	2
17	23002280	NUT (M6)	10	2
17	23001176	NUT (M6 STAINLESS STEEL)	14	1
18	23002617	SCREW (M4X8)	10	1
18	23001621	SCREW (M4X12) LU	14	1
-	12001889	KIT, DOOR HANDLE ASSEMBLY	14	1
19	23001614	DOORLOCK, HANDLEGRIP	10	1
20	23001468	STICKER, SPIN DIRECTION	10	1
21	N 23003104	WASHER, HINGE	10	1
22	23002723	SCREW (M8 X 22)	10	4
23	23001608	WASHER (M8) LU	10	4
24	23002727	WASHER (8) LU	10	4
25	23002130	WASHER (6)	10	6
26	23002297	LABEL, HEATWARNING	10	1
27	23002265	WASHER	10	4

*Color Code (-)=Not Shown #=Series, Serial Prefix or Run No., N=Not Available

Section: DOOR LOCK ASSEMBLY

Model: MFS50PNAVS

Door Lock
(complete)



CW10-41

Section: DOOR LOCK ASSEMBLY

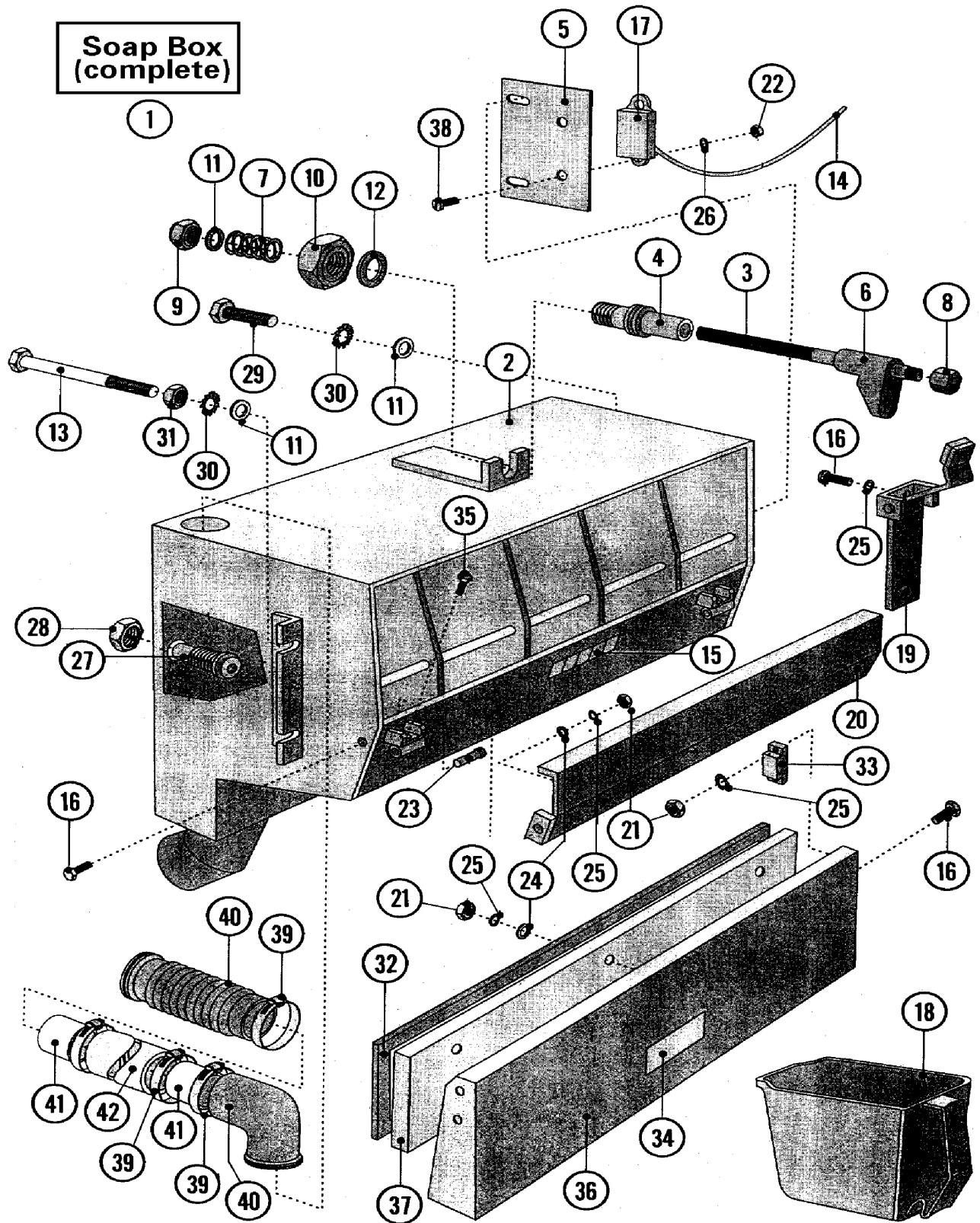
No.	Part No.	Description	Series	Qty
1	23003105	DOORLOCK	10	1
2	23002898	GROUND, PLATE LOCK	10	1
3	23003106	SPRING, DOORLOCK	10	1
4	23003107	PLATE, DECOUPLING	10	1
5	23003108	PLATE, DECOUPLING	10	1
6	23003109	COVER, LOCKING DEVICE	10	1
7	23001088	RUBBER TRIM	10	1
8	23003110	WASHER	10	2
9	23003111	HOLDER, CONNECTOR	10	1
10	23001140	BAR, LOCKING	10	1
11	23002899	HANDLE, LOCKING PART	10	1
12	23001142	RETAINER, LOCK TUBE (DIA.4X45)	10	1
13	23001143	LOCK TUBE (DIA. 4X23.5 STNLS)	10	1
14	23003112	MICROSWITCH	10	1
15	23001145	MICROSWITCH, LONG LEVER	10	1
16	23002903	SPRING, LOCKING PART	10	1
17	23001146	COIL (240V)	10	2
18	23002900	SPRING, LOCKING PART	10	1
19	23001149	LEAF SPRING, LATCH BAR	10	1
20	23001138	BUSHING, CABLE PASSAGE	10	1
21	23001136	WASHER (DIA. 5.1 X 3.3 X 0.1)	10	2
22	23003113	SCREW (M3X6)	10	3
23	23003114	SCREW (M4X8) LU	10	2
24	23002869	SCREW (M3X6)	10	4
25	23003115	SCREW (M3X14)	10	5
26	23001137	RING, RETAINING (G10)	10	1
27	23003116	SCREW (M5X30)	10	2
28	23001643	WASHER (M6)	10	4
29	23002130	WASHER (6)	10	4
30	23002353	SCREW (M6X12)	10	4
31	23001704	SCREW (M5X10)	10	2
32	23003117	BOARD, TERMINAL (9-POLE)	10	1
33	23001722	BOARD, TERMINAL (AMP 9 POLES)	10	1
34 N	23003118	LABEL, WARNING	10	1
35	23002465	WASHER, LOCK	10	2

*Color Code (-)=Not Shown #=Series, Serial Prefix or Run No., N=Not Available

Section: SOAP BOX

Model: MFS50PNAVS

Soap Box
(complete)



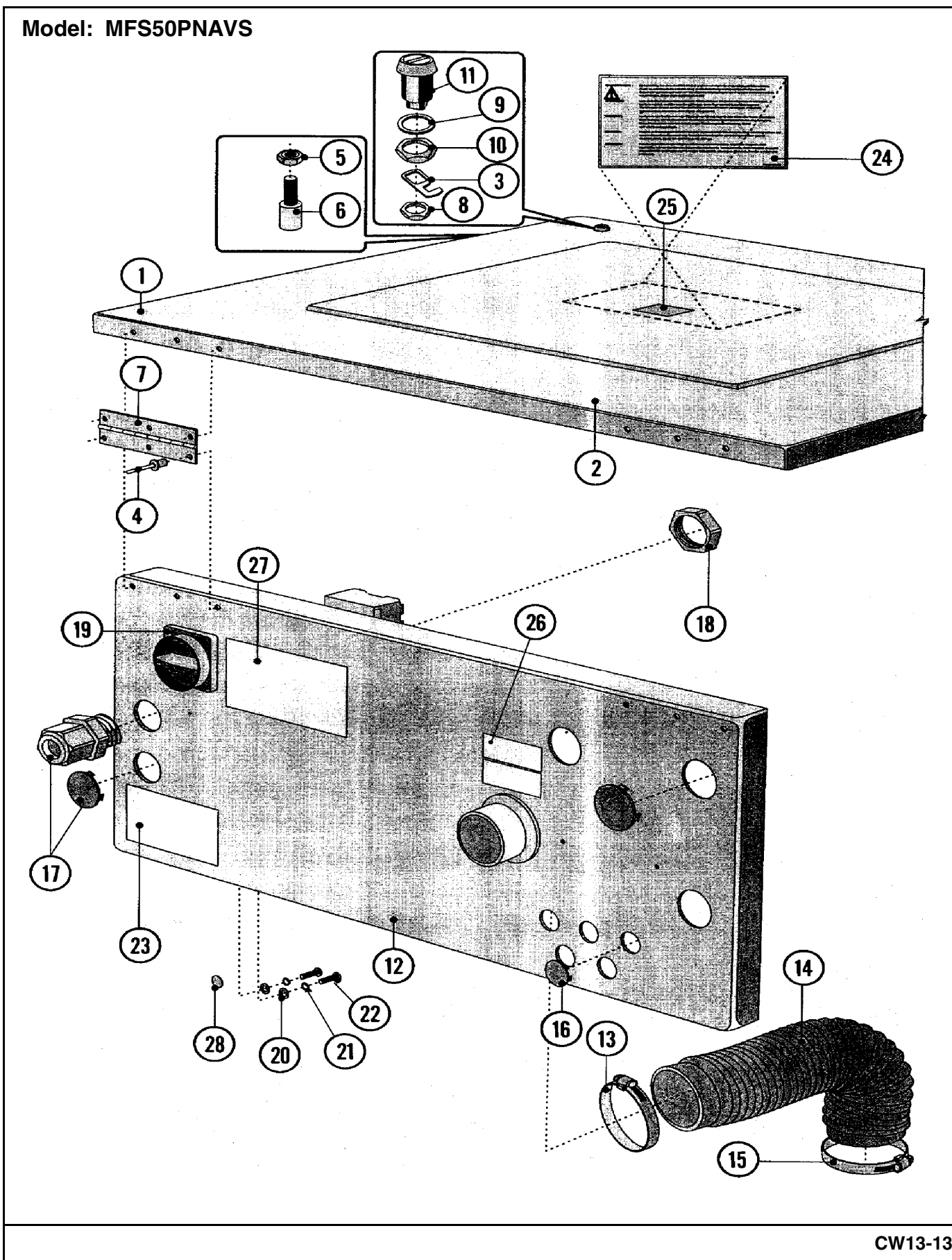
Section: SOAP BOX

No.	Part No.	Description	Series	Qty
1	23003119	SOAP BOX (COMPLETE)	10	1
2	23003120	BOX, SOAP	10	1
3	23002748	SCREW	10	1
4	23002747	PIN	10	1
5	23003121	HOLDER	10	1
6	23002749	LEVER	10	1
7	23002010	SPRING	10	1
8	N 23002392	NUT (M6)	10	1
9	23002471	NUT	10	1
10	N 23002659	NUT (M12)	10	1
11	23002282	WASHER (6)	10	5
12	23002658	WASHER (12)	10	1
13	N 23003122	BOLT, COMPLETE	10	2
14	23002742	TUBE, INSULATION	10	1
15	N 23003123	LABEL, SOAP BOX	10	1
16	23001682	SCREW (M4X6)	10	14
17	23001566	SWITCH, MAGNETIC	10	1
18	N 23003124	VESSEL, PLASTIC	10	5
19	N 23002732	OVERSEAL	10	5
20	23002737	COVER	10	1
21	23002652	NUT (QTY OF 4 = 1 PIECE)	10	10
22	23002500	WASHER, LOCK	10	2
23	23002736	PIN, DOOR	10	2
24	23002129	WASHER (M4)	10	8
25	N 23003125	WASHER	10	20
26	N 23003126	WASHER	10	2
27	23002738	NOZZLE	10	5
28	N 23003127	NUT	10	5
29	23002423	SCREW (M4 X 10)	10	2
30	23002400	WASHER	10	4
31	23002651	NUT (M6)	10	2
32	N 23003128	SEALING	10	1
33	23001668	CONTACT, MAGNETIC	10	1
34	23002134	SHIELD ("DO NOT OPEN")	10	1
35	N 23003129	SCREW (M4X6)	10	2
36	N 23003130	COVER	10	1
37	23002751	COVER, INSERT	10	1
38	23002717	SCREW (M3 X 6)	10	2
39	23001262	CLAMP, HOSE (20-32)	10	3
40	N 23002743	ELBOW	10	1
41	N 23003131	PART, CONNECTION	10	2
42	23001740	HOSE (19X27)	10	1

*Color Code (-)=Not Shown #=Series, Serial Prefix or Run No., N=Not Available

Section: TOP COVER

Model: MFS50PNAVS



CW13-13

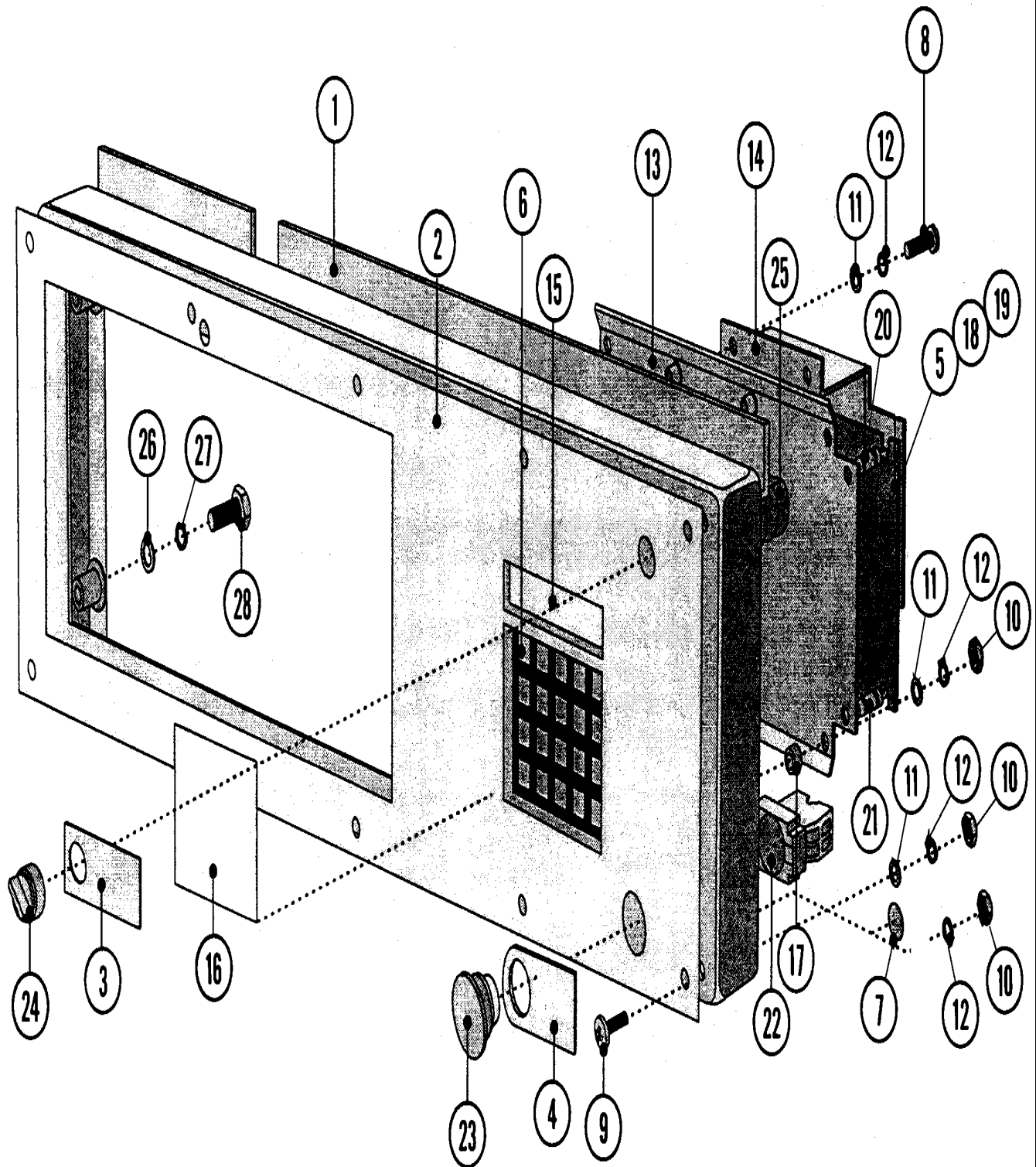
Section: TOP COVER

No.	Part No.	Description	Series	Qty
1	N 23003132	COVER (COMPLETE)	10	1
2	N 23003133	COVER, WASHING MACHINE	10	1
3	23002451	PAWL	10	2
4	N 23002467	RIVET/CRANK (4 X 7.5)	10	12
5	23002399	NUT(M4)	10	2
6	N 23003134	PIN, GUIDING	10	2
7	N 23003135	HINGE, COVER	10	2
8	23001011	NUT	10	2
9	23001007	WASHER, FIBER	10	2
10	23001008	LOCK NUT (LARGE)	10	2
11	23001006	LOCK, TOP PANEL	10	2
12	23003136	VALVES, COVER (COMPLETE)	10	1
13	23001261	CLAMP, HOSE (32-50)	10	1
14	23003042	HOSE, RUBBER	10	1
15	23001256	CLAMP, HOSE (60-80)	10	1
16	N 23002794	PLUG (13)	10	5
17	N 23003137	INLET, STUFFING	10	1
18	23003138	NUT	10	1
19	23003139	CONTROLLER	10	1
20	23002726	WASHER (6)	10	1
21	23002357	WASHER	10	6
22	23001733	SCREW (M6X10)	10	2
23	23001465	STICKER, ELECTRICITY WARNING	10	1
24	23001550	LABEL, EARTH	10	1
25	N 23003023	LABEL, FLASH	10	1
26	N 23003140	LABEL, VENT OUT	10	1
27	N 23002149	LABEL, WARNING (IMPORT)	10	1
28	N 23001546	LABEL, EARTH	10	1

*Color Code (-)=Not Shown #=Series, Serial Prefix or Run No., N=Not Available

Section: CONTROL PANEL

Model: MFS50PNAVS



CW14-40

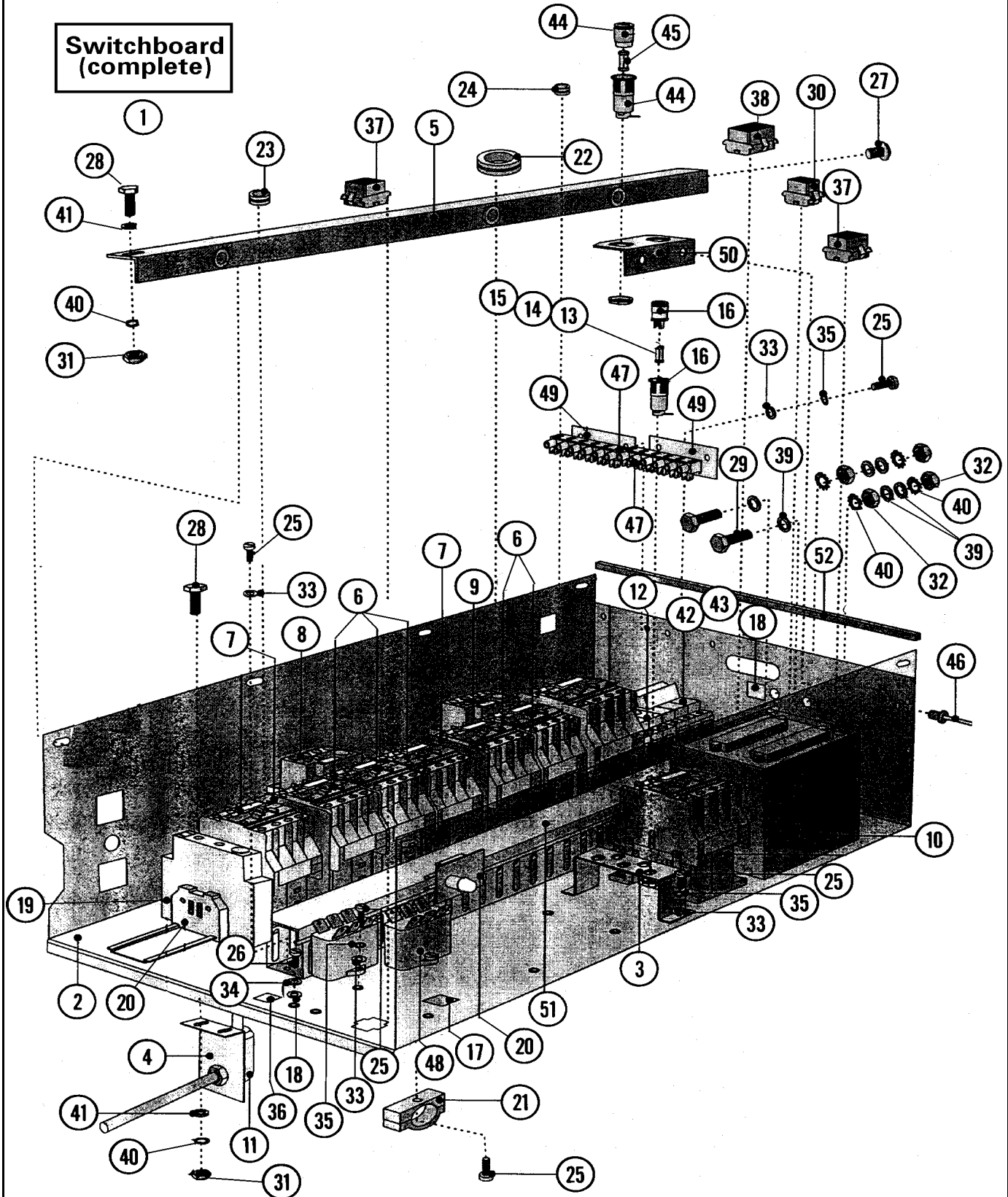
Section: CONTROL PANEL

No.	Part No.	Description	Series	Qty
1	23003141	COVER, PROGRAMMER (COMPLETE)	10	1
2	N 23003142	PLATE, INDEX (PROGRAMMER)	10	1
3	N 23002771	PLATE (HOPPERS-PUMPS)	10	1
4	N 23003143	LABEL, EMERGENCY STOP	10	1
5	23002949	PROGRAMMER	10	1
6	23001692	KEYBOARD (MEMBRANE SWITCH)	10	1
7	N 23001546	LABEL, EARTH	10	1
8	23002423	SCREW (M4 X 10)	10	4
9	23002721	SCREW (M4 X 12)	10	10
10	23002399	NUT(M4)	10	18
11	23001610	WASHER (4.3)	10	18
12	23002400	WASHER	10	18
13	23003144	BOARD (COMPLETE)	10	1
14	N 23003149	SCREENING	10	1
15	23002163	HOLE, INSPECTION	10	1
16	N 23003145	LABEL, PROGRAM	10	1
17	23001058	SPACER	10	8
18	23001693	MEMORY	10	1
19	23001694	MEMORY	10	1
20	23003146	HOLDER, BOARD (TYPE A)	10	4
21	23001542	HOLDER	10	4
-	N 23003147	HOLDER, CARD	10	1
22	23001075	EMERGENCY BLOC (W/LAMP)	10	11
23	23001078	EMERGENCY STOP	10	11
24	23002219	DEVICE, OPERATING	10	1
25	23003148	SWITCH	10	1
26	23002438	WASHER (M6)	10	4
27	23002357	WASHER	10	4
28	23002649	SCREW (M6 X 10)	10	4

*Color Code (-)=Not Shown #=Series, Serial Prefix or Run No., N=Not Available

Section: ELECTRICAL COMPONENTS

Model: MFS50PNAVS



CW21-114

Section: ELECTRICAL COMPONENTS

No.	Part No.	Description	Series	Qty
1	23003150	SWITCHBOARD	10	1
2	23003151	BOARD, SWITCHBOARD(COMPLETE)LU	10	1
3	N 23003152	HOLDER, FUSE	10	1
4	N 23003153	HOLDER, VIBRATION SWITCH	10	1
5	N 23003031	HOLDER (COMPLETE)	10	1
6	23001101	CONTACTOR (LC1-D1201 M7)	10	7
7	23001119	MECHANICAL INTERLOCK, CONTACTO	10	2
8	23001106	RELAY, THERMAL OVERLOAD (4-6A)	10	1
9	23001105	RELAY, THERMAL OVERLOAD (9-13A)	10	1
10	23002142	TRANSFORMER	10	1
10	23003704	TRANSFORMER (250 VA)	17	1
11	23002775	SWITCH, VIBRATION	10	1
12	23001717	BREAKER, CIRCUIT	10	1
-	23001094	BRIDGE, RECTIFIER	10	1
-	N 23003154	PARTS, CONTACT	10	1
13	23002838	FUSE (1.6A)	10	1
14	23001463	FUSE (2A)	10	1
15	23002043	FUSE (4A)	10	2
16	23001462	HOLDER, FUSE	10	2
17	N 23002100	LABELS, DESCRIPTION	10	1
18	N 23001546	LABEL, EARTH	10	3
19	23003155	PARTS, CONTACTOR	10	3
20	23002110	TERMINAL WAGO	10	2
21	23002428	CLIP, CABLE	10	1
22	23001117	RING, RUBBER (DIA. 25)	10	2
23	N 23002834	PASSAGE, CABLE (13 X 2)	10	1
24	N 23003156	BUSHING, RUBBER	10	1
25	23001609	SCREW (M4X12)	10	12
26	23002650	SCREW (M6 X 12)	10	2
27	N 23003157	SCREW (M6X10)	10	2
28	23002649	SCREW (M6 X 10)	10	2
29	23002806	SCREW (M6 X 25)	10	2
30	23002154	BOARD, TERMINAL (6 POLES)	10	2
31	23002651	NUT (M6)	10	2
32	23001515	NUT (M6)	10	4
33	23001610	WASHER (4.3)	10	14
34	23002129	WASHER (M4)	10	2
35	23002400	WASHER	10	2
36	23002656	WASHER (4/3)	10	2
37	23001722	BOARD, TERMINAL (AMP 9 POLES)	10	1
38	23002798	BOARD,TERMINAL (12 POLE)	10	1
39	23002726	WASHER (6)	10	4
40	23002357	WASHER	10	4
41	23002282	WASHER (6)	10	2
42	23003158	FUSE, DISCONNECTER	10	1
43	23002802	DISCONNECTOR, FUSE (PV10GG32A)	10	3
44	23002210	HOLDER, FUSE	10	2
45	23003159	FUSE (5A)	10	2
46	N 23003160	RIVET	10	17
47	23002154	BOARD, TERMINAL (6 POLES)	10	2
48	N 23001518	NET FILTER Note: SERIES 15 - NO LONGER NEEDED	10	1
49	23001115	INSULATION PAPER	10	2
50	N 23003161	HOLDER, FUSES	10	1
51	23001551	GUTTER, CABLE (PLASTIC)	10	1
52	23001088	RUBBER TRIM	10	1

*Color Code (-)=Not Shown #=Series, Serial Prefix or Run No., N=Not Available

Section: SOAP INJECTION & ACCESSORIES

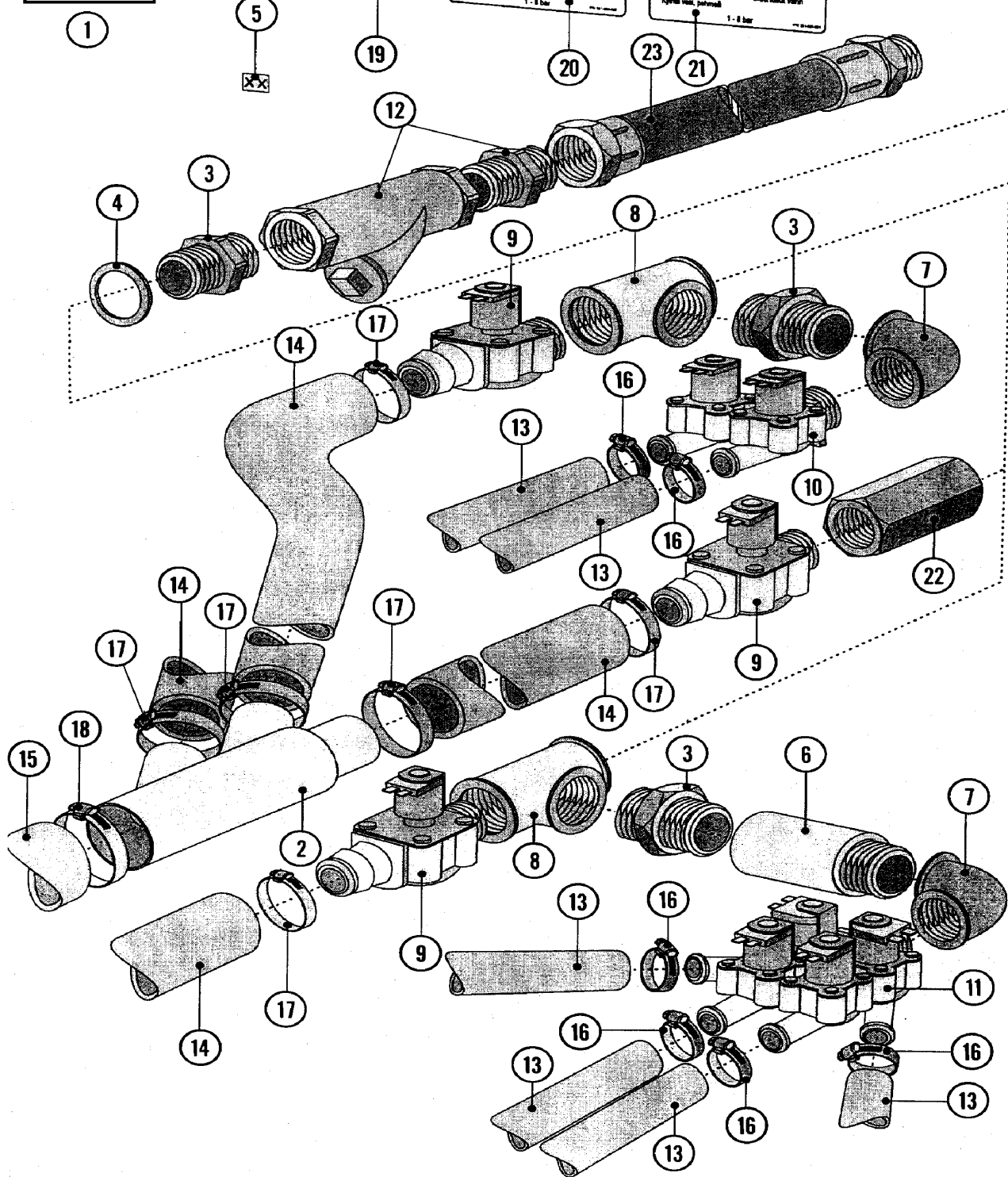
Model: MFS50PNAVS

Filling System

Hard water / Cold water hard / Eau dure / Cold water hard / Acqua fredda dura / ZAKASPO KIZPO NERZO / Kyrää vesi, kova / 1 - 8 bar

Warm water / Hot water / Eau chaude / Warm Wasser / Acqua Calda / ZETTO NERZO / Kuumaa vesi / 1 - 8 bar

Soft water / Cold water soft / Eau douce / Warm Wasser / Acqua dolce / MÄLÄKÖ KIZPO NERZO / Kylmä vesi, pehmeä / 1 - 8 bar



CW21-113

Section: SOAP INJECTION & ACCESSORIES

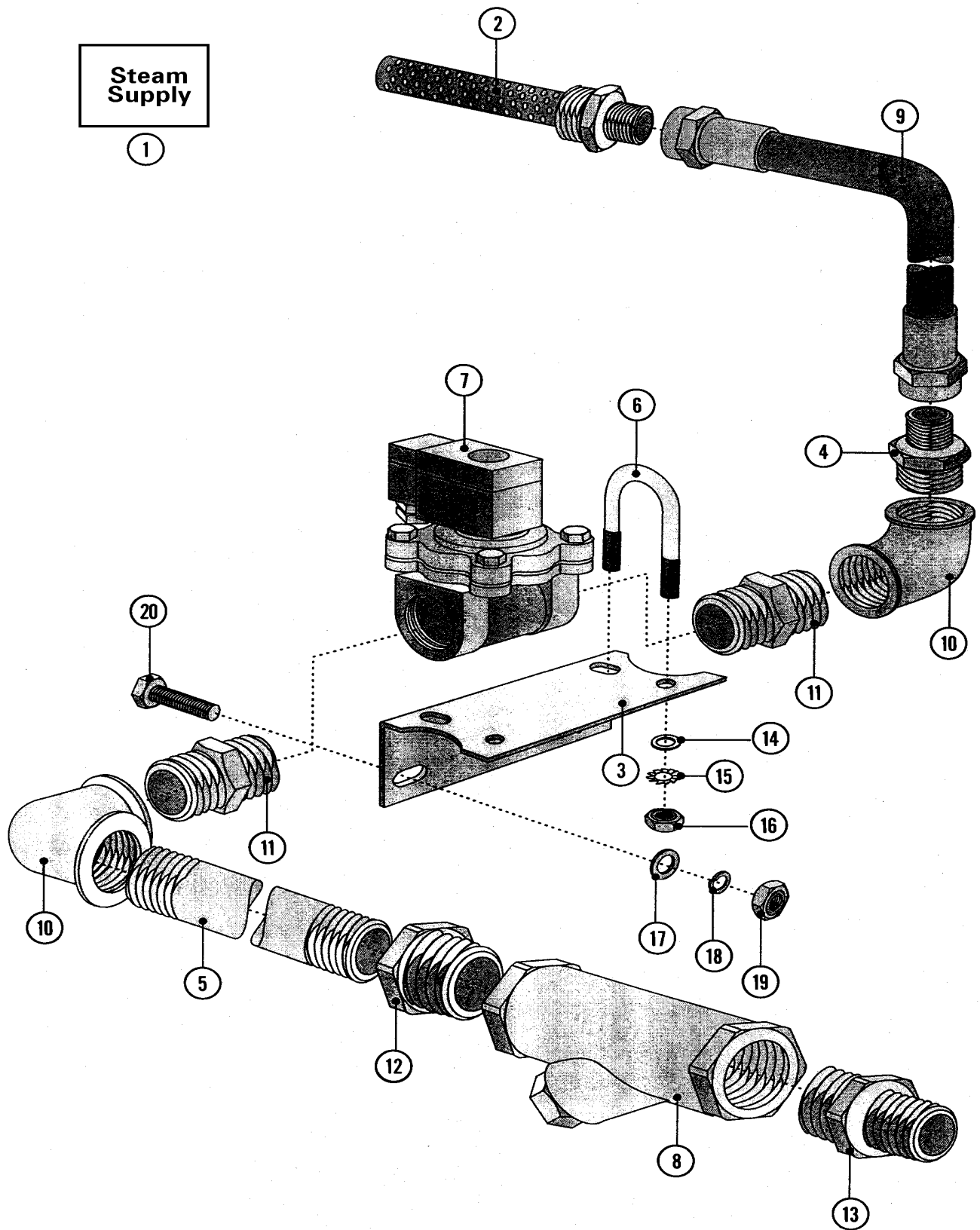
No.	Part No.	Description	Series	Qty
1	23003162	SYSTEM, FILLING	10	1
2	23003163	TUBE, CONNECTION	10	1
3	23001482	NIPPLE (3/4" PIPE THREAD)	10	5
4	N 23003164	WASHER	10	3
5	N 23003165	PLATE, INDEX	10	1
6	23001484	EXTENSION, BRASS PIPE THREAD	10	1
7	23001756	ELBOW (3/4")	10	2
8	23001485	TEE, 3/4" PIPE THREAD (BRASS)	10	2
9	23002071	VALVE, INLET (1-WAY 3/4")	10	3
10	23002070	VALVE, INLET (2-WAY 3/4")	10	1
-	24001121	KIT, VALVE REPAIR (10MM)	10	1
11	23001755	VALVE, FOUR WAY (3/4")	10	1
12	23003166	FILTER (COMPLETE)	10	1
13	23001507	WATERHOSE (GREEN)	10	6
14	23001740	HOSE (19X27)	10	3
15	23002755	HOSE	10	1
16	23001506	CLAMP, HOSE	10	12
17	23001262	CLAMP, HOSE (20-32)	10	6
18	23001261	CLAMP, HOSE (32-50)	10	2
19	23001471	STICKER, COLD SOFT WATER	10	1
20	23001469	STICKER, HOT WATER	10	1
21	23001470	STICKER, COLD HARD WATER	10	1
22	N 23003167	ONTUBE	10	1
23	23001523	HOSE, CONNECTION	10	2

*Color Code (-)=Not Shown #=Series, Serial Prefix or Run No., N=Not Available

Section: STEAM SUPPLY

Model: MFS50PNAVS

Steam
Supply



CW21-112

Section: STEAM SUPPLY

No.	Part No.	Description	Series	Qty
1	23003168	SUPPLY, STEAM	10	1
2	23003169	PIPE, STEAM	10	1
3	N 23003170	HOLDER	10	1
4	23002812	HOLDER	10	1
5	N 23003171	PIPE	10	1
6	23002433	HOLDER	10	2
7	23003172	VALVE, STEAM (3/4)	10	2
8	23002818	PIPE (PROTECTIVE FILTER 1")	10	1
9	23003173	HOSE, STEAM	10	1
10	23001756	ELBOW (3/4")	10	2
11	23001482	NIPPLE (3/4" PIPE THREAD)	10	2
12	N 23003174	BUSHING, REDUCING	10	1
13	23002761	REDUCER	10	1
14	23002282	WASHER (6)	10	4
15	23002357	WASHER	10	4
16	23002651	NUT (M6)	10	4
17	23002653	WASHER (8/6)	10	2
18	23002358	WASHER (M8)	10	2
19	N 23003175	NUT (M8)	10	2
20	23002475	BOLT (M8X20)	10	2

*Color Code (-)=Not Shown #=Series, Serial Prefix or Run No., N=Not Available

