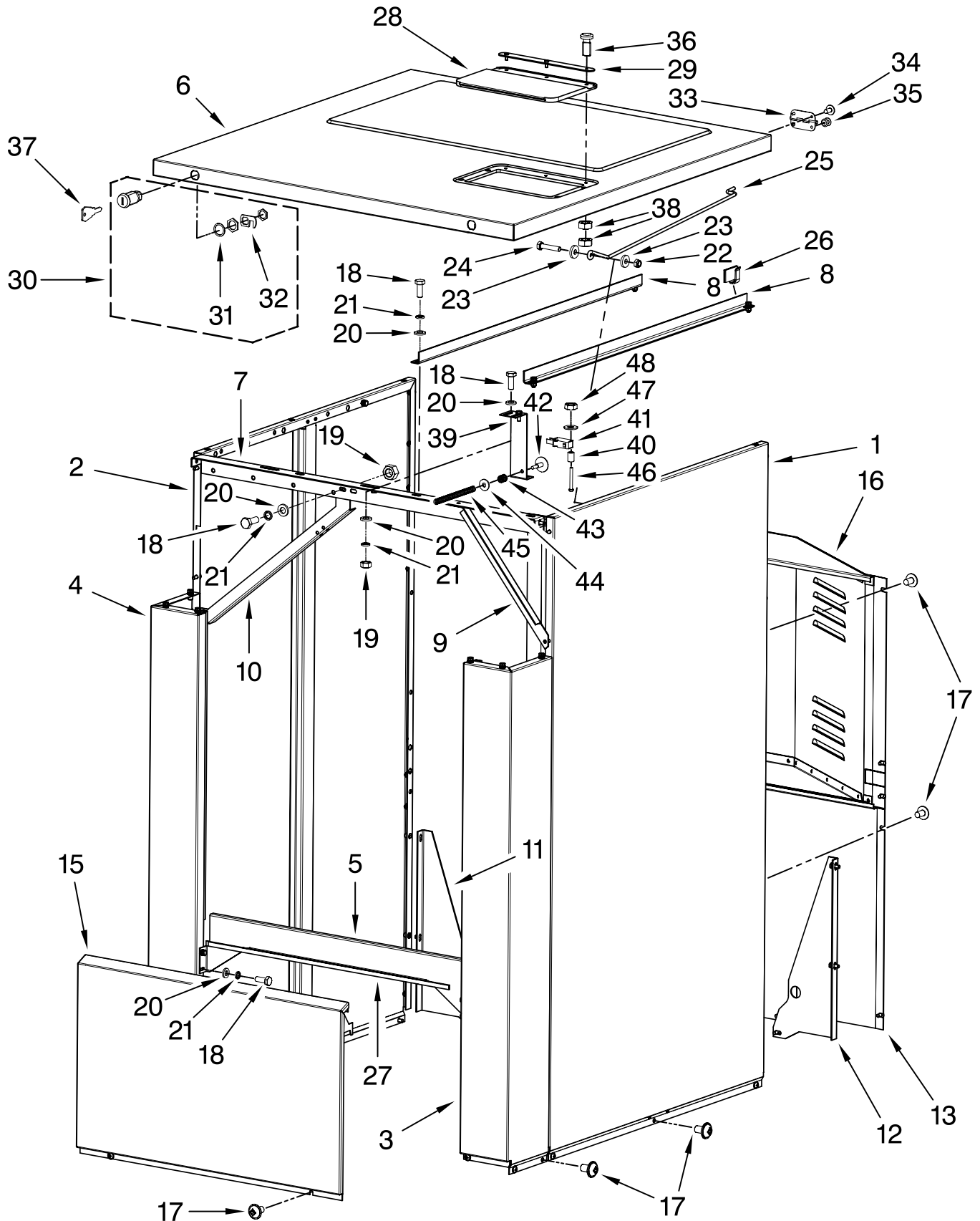


CABINET PANEL PARTS

For Model: MFS55PNAVS

(Stainless)

COMMERCIAL
INDUSTRIAL WASHER



FOR ORDERING INFORMATION REFER TO PARTS PRICE LIST

CABINET PANEL PARTS

For Model: MFS55PNAVS

(Stainless)

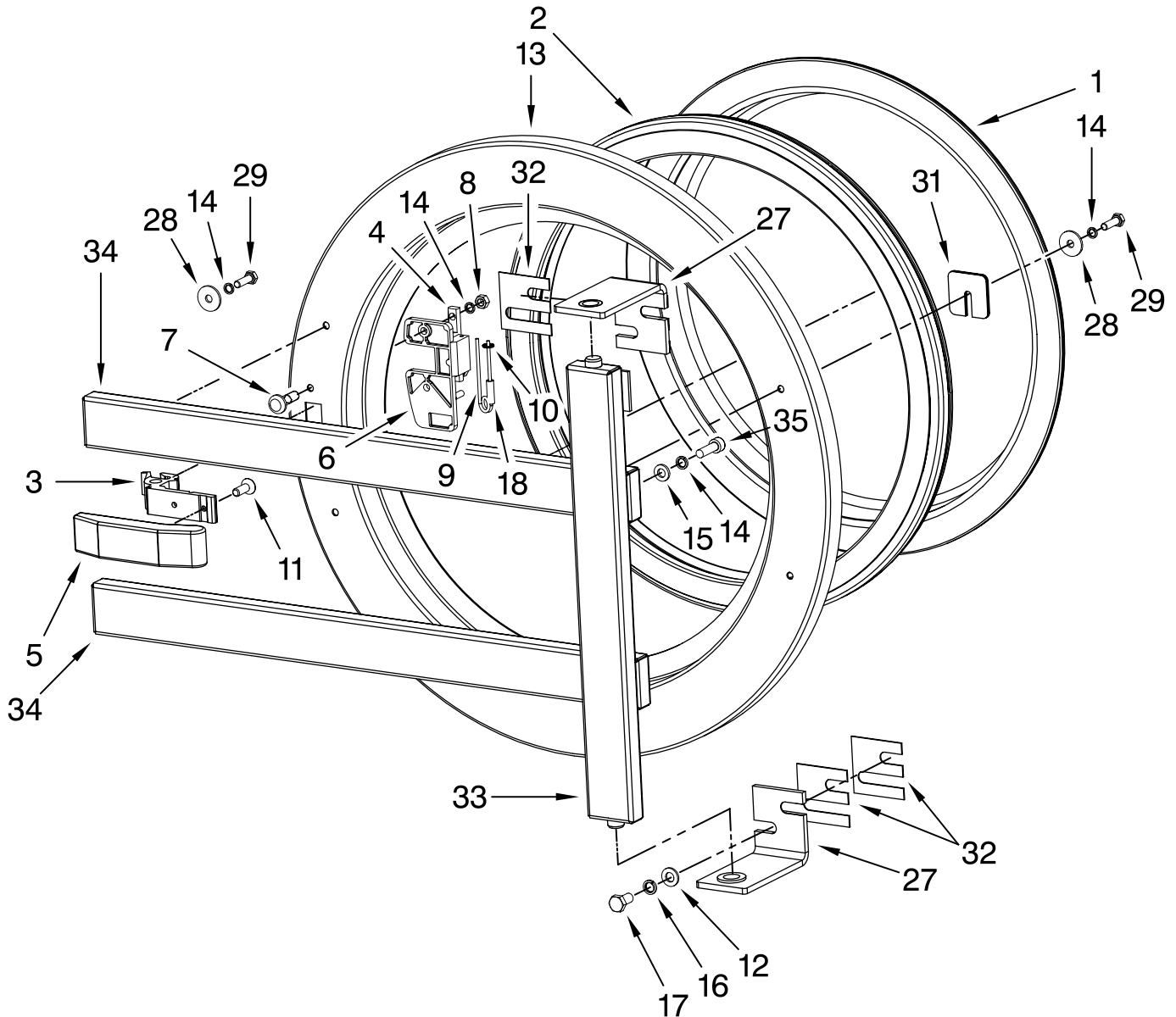
| Illus. No. | Part No. | DESCRIPTION | Illus. No. | Part No. | DESCRIPTION | Illus. No. | Part No. | DESCRIPTION |
|---------------|-------------|-----------------------------|---------------|-------------|--------------------------|---------------|-------------|-------------------------------|
| 1 | W10286276 | Right Side Panel Complete | 12 | W10286286 | Right Cabinet Stiffner | 31 | 23001007 | Washer M21X27X1 |
| 2 | W10286277 | Left Side Panel Complete | 13 | W10286287 | Lower Back Panel | 32 | 23001009 | Locking Cam |
| 3 | W10286278 | Right Front Corner Complete | 15 | 14227295 | Front Access Panel | 33 | 23004103 | Hinge |
| 4 | W10286279 | Left Front Corner Complete | 16 | W10286288 | Trunion Cover | 34 | W10304856 | Bolt M4X12 |
| 5 | W10286280 | Service Panel Holder | 17 | W10286289 | Bolt M6X10 | 35 | 23002467 | Rivet M4X6.6 |
| 6 | W10286281 | Top Cover Complete | 18 | 23002461 | Bolt M6X16 | 36 | 23001012 | Bolt M4X12 |
| 7 | W10286282 | Top Cabinet Reinforcement | 19 | 23001312 | Nut M6 | 37 | 23002673 | Lock Key |
| 8 | 23003885 | Front to Back Reinforcement | 20 | 23002756 | Washer M6.4 | 38 | 23002652 | Nut M4 |
| 9 | W10286283 | Right Cabinet Reinforcement | 21 | 23002440 | Washer M6 | 39 | W10286292 | Out of Balance Switch Bracket |
| 10 | W10286284 | Left Cabinet Reinforcement | 22 | 23001310 | Nut M6 | 40 | 23003902 | Spacer |
| 11 | W10286285 | Left Cabinet Stiffner | 23 | 23001309 | Washer M6 | 41 | 23003899 | Out of Balance Switch |
| | | | 24 | 23002463 | Bolt M6X30 | 42 | 23003904 | Spring Retainer |
| | | | 25 | 23001330 | Prop Rod | 43 | 23003900 | Spring 15MM |
| | | | 26 | 23002454 | Self Sticking Cable Clip | 44 | 23002504 | Washer M4 |
| | | | 27 | W10286290 | Foam-Seal | 45 | W10286294 | Out of Balance Sensor Spring |
| | | | 28 | 23001003 | Dispenser Cover | 46 | 23002906 | Bolt M3X25 |
| | | | 29 | 23003781 | Dispenser Cover Retainer | 47 | 23003654 | Washer M3.2 |
| | | | 30 | 23001006 | Top Cover Lock | 48 | 23002958 | Nut M3 |

FOR ORDERING INFORMATION REFER TO PARTS PRICE LIST

DOOR PARTS

For Model: MFS55PNAVS

(Stainless)



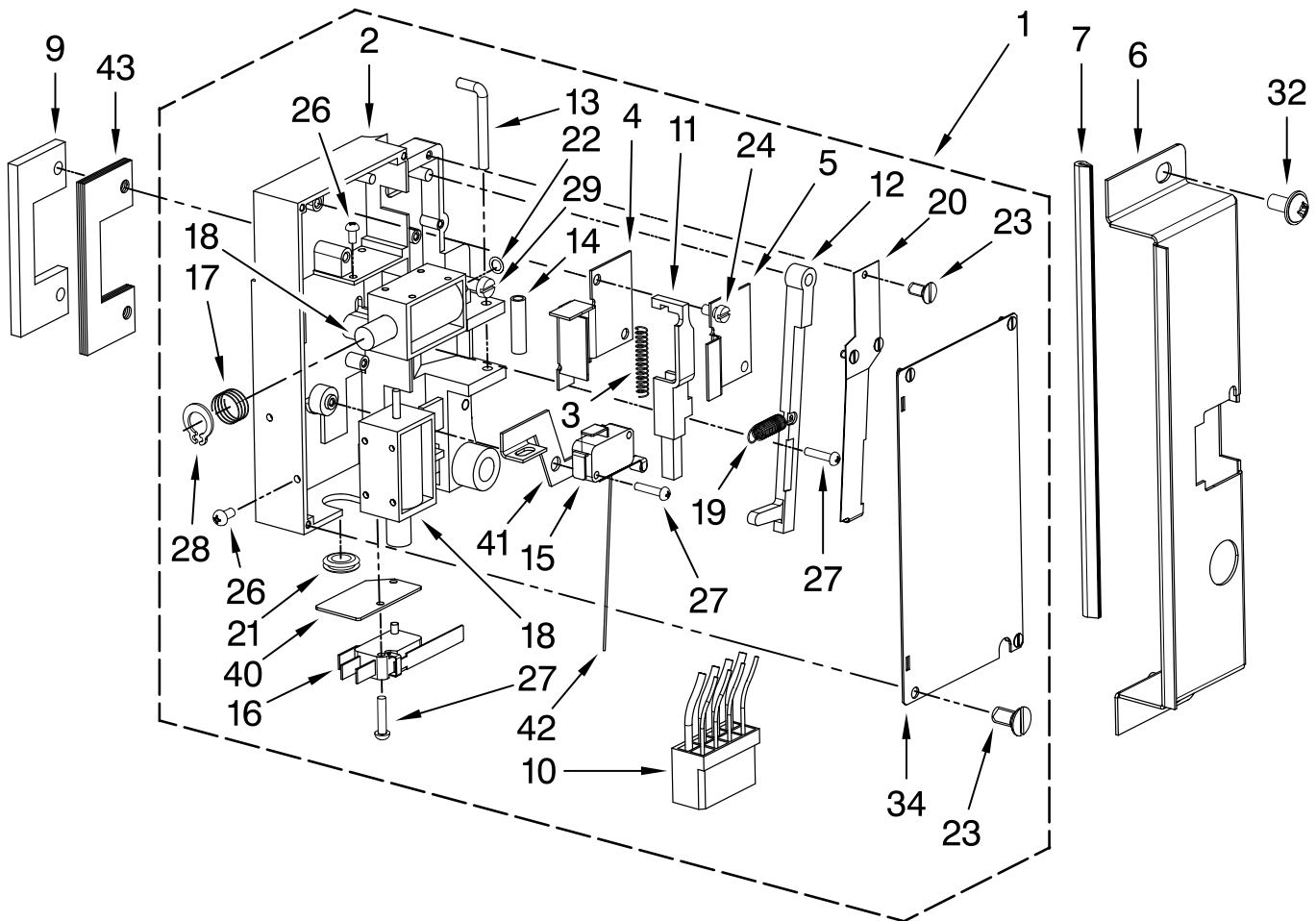
| Illus. No. | Part No. | DESCRIPTION | Illus. No. | Part No. | DESCRIPTION | Illus. No. | Part No. | DESCRIPTION |
|------------|-----------|---------------------|------------|-----------|-----------------------|------------|-----------|----------------------|
| 1 | 23004109 | Door Glass | 10 | 23002499 | Spring Retaining Clip | 27 | W10286309 | Upper Hinge Complete |
| 2 | W10292561 | Door Seal | 11 | 23004113 | Bolt M4X12 | 28 | 23002265 | Fender Washer |
| 3 | 23003858 | Door Handle | 12 | 23001608 | Washer M8.4 | 29 | 23002462 | Bolt M6X20 |
| 4 | 23001168 | Door Latch Pin | 13 | W10286307 | Door Frame | 31 | W10286310 | Shim |
| 5 | 23003860 | Door Handle Cover | 14 | 23001158 | Washer M6 | 32 | W10304862 | Shim |
| 6 | 23001370 | Door Latch Plate | 15 | 23002424 | Washer M6.4 | 33 | W10286311 | Vertical Door Beam |
| 7 | 23001175 | Bolt M6X20 | 16 | 23002727 | Washer M8 | 34 | W10286312 | Horizontal Door Beam |
| 8 | 23001312 | Nut M6 | 17 | 23002421 | Bolt M8X16 | 35 | W10286313 | Bolt M6X20 |
| 9 | 23001169 | Door Latch U Spring | 18 | W10304861 | Tube 6X1 | | | |
| | | | 27 | W10286308 | Hinge Complete | | | |

FOR ORDERING INFORMATION REFER TO PARTS PRICE LIST

DOOR LOCK PARTS

For Model: MFS55PNAVS

(Stainless)



| Illus. No. | Part No. | DESCRIPTION |
|------------|-----------|----------------------------------|
| 1 | 23003861 | Door Lock Complete |
| 2 | Y23002898 | Door Lock Housing |
| 3 | W10286302 | Coil Spring |
| 4 | 23003107 | Lock Hook Mtg Plate Bottom |
| 5 | 23003108 | Lock Hook Mtg Plate Top |
| 6 | 23003864 | Outer Door Lock Cover |
| 7 | 23002473 | Door Lock Guard |
| 9 | W10286304 | Door Lock Block |
| 10 | W10286305 | Door Lock Wire Harness MCG AC |
| 11 | 23001140 | Small Lock Hook |

| Illus. No. | Part No. | DESCRIPTION |
|------------|----------|------------------------|
| 12 | 23002899 | Actuator Arm |
| 13 | 23001142 | Latch Roller Pin |
| 14 | 23001143 | Latch Roller |
| 15 | 23002337 | Door Locked Switch |
| 16 | 23001145 | Door Closed Switch |
| 17 | 23002903 | Solenoid Spring |
| 18 | 23001146 | Soleniod |
| 19 | 23001148 | Actuator Arm Spring |
| 20 | 23001149 | Leaf Spring |
| 21 | 23002479 | Rubber Grommet |
| 22 | 23001136 | Washer M5.1X3.3X0.1 |
| 23 | 23002869 | Bolt M3X6 |

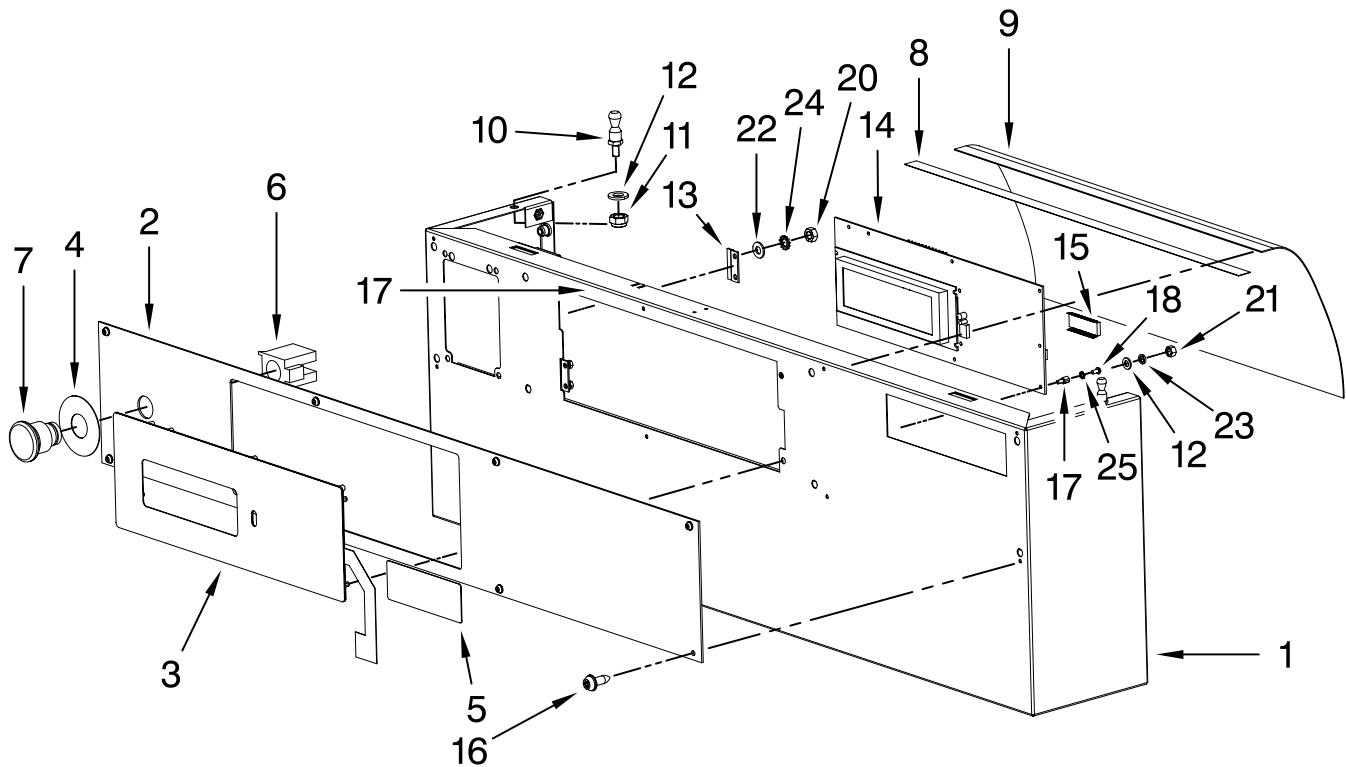
| Illus. No. | Part No. | DESCRIPTION |
|------------|-----------|-----------------------------|
| 24 | 23003114 | Bolt M4X8 |
| 26 | 23002869 | Bolt M3X6 |
| 27 | 23001131 | Bolt M3X14 |
| 28 | 23001137 | Snap Ring |
| 29 | 23003116 | Bolt M5X30 |
| 32 | 23002722 | Bolt M6X12 |
| 34 | 23004351 | Door Lock Cover Plate |
| 40 | 23003863 | Door Closed Switch Plate |
| 41 | 23002902 | Emergency Opening Lever |
| 42 | 23001152 | Emergency Opening Cord |
| 43 | W10286306 | Shims |

FOR ORDERING INFORMATION REFER TO PARTS PRICE LIST

CONTROL PANEL

For Model: MFS55PNAVS

(Stainless)

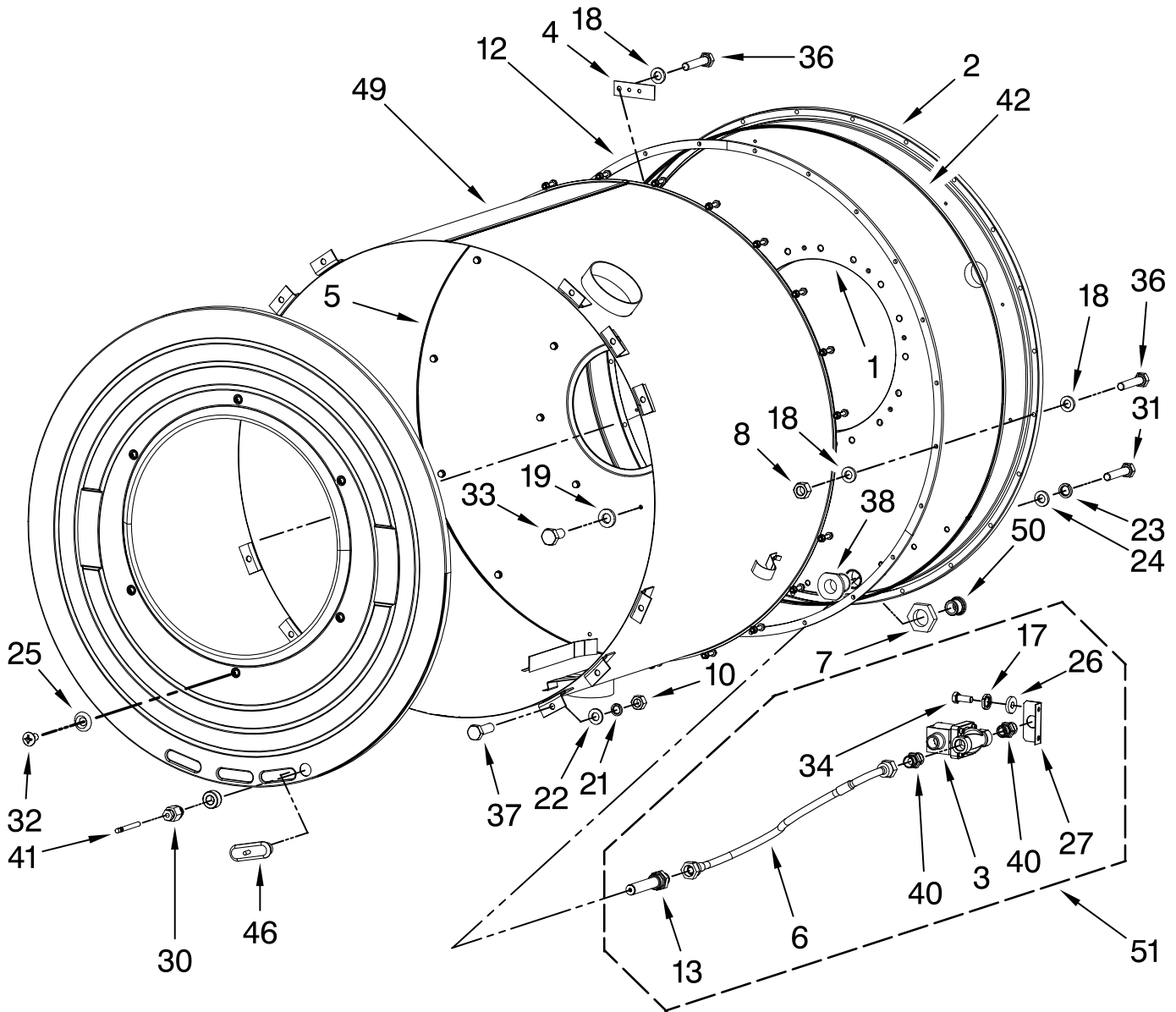


| Illus. No. | Part No. | DESCRIPTION |
|------------|-----------|-----------------------------|
| 1 | W10286295 | Control Panel |
| 2 | W10304857 | Facia Panel |
| 3 | 23004133 | Membrane Switch |
| 4 | 23002330 | Stop Switch Button |
| 5 | W10304858 | Maytag Badge |
| 6 | 23004137 | Stop Switch |
| 7 | 23004136 | Stop Switch Button |
| 8 | 23004126 | Double Sided Tape |
| 9 | 23002877 | Plastic Shield |
| 10 | 23001332 | Alignment Pin |
| 11 | 23003716 | Nut M5 |
| 12 | 23001708 | Masher M5.3 |
| 13 | 23003871 | Mounting Bracket |
| 14 | W10286300 | Microcontrol Board |
| 15 | W10286301 | Programming Chip |
| | W10304859 | Programming Chip w/Software |
| 16 | 23003810 | Screw M4X13 |
| 17 | 23004134 | Spacer M3X5X3 |
| 18 | 23002869 | Bolt M3X6 |
| 20 | 23001014 | Nut M4 |
| 21 | 23004486 | Nut M5 |
| 22 | 23002438 | Washer M4.3 |
| 23 | 23002836 | Washer M5 |
| 24 | 23002865 | Lock Washer M3 |
| 25 | 23002870 | Lock Washer M4 |

FOR ORDERING INFORMATION REFER TO PARTS PRICE LIST

TUB PARTS

For Model: MFS55PNAVS
(Stainless)



| Illus. No. | Part No. | DESCRIPTION |
|------------|-----------|----------------------------|
| 1 | W10286314 | Rear Tub Plate |
| 2 | W10286315 | Rear Plate of Tub Complete |
| 3 | W10286316 | Soleniod |
| 4 | 23003791 | Harness Mtg Plate |
| 5 | W10286317 | Foil |
| 6 | 23003906 | Steam Hose |
| 7 | 23003059 | Bushing Nut |
| 8 | 23001312 | Nut M6 |
| 10 | 23001266 | Nut M8 |
| 12 | W10286319 | Mtg Ring |
| 13 | W10286320 | Steam Injector |
| 17 | 23002440 | Washer M6 |
| 18 | 23002756 | Washer M6.4 |
| 19 | 23002281 | Washer M6.4 |

| Illus. No. | Part No. | DESCRIPTION |
|------------|-----------|--------------------------|
| 21 | 23002358 | Washer M8 |
| 22 | 23001203 | Washer M8.4 |
| 23 | 23002654 | Washer M10 |
| 24 | 23003788 | Washer M10.5 |
| 25 | 23001204 | Washer M5 |
| 26 | 23001309 | Washer M6 |
| 27 | W10286323 | Steam Valve Bracket |
| 30 | 23003807 | Thermostat Sensor Holder |
| 31 | 23002987 | Bolt M10X30 |
| 32 | 23001777 | Bolt M4X8 |
| 33 | 23002353 | Bolt M6X12 |
| 34 | 23002461 | Bolt M6X16 |
| 36 | 23002463 | Bolt M6X30 |

| Illus. No. | Part No. | DESCRIPTION |
|------------|-----------|---------------------------|
| 37 | 23001305 | Bolt M8X25 |
| 38 | 23003056 | Bushing |
| 40 | 23003907 | Bushing |
| 41 | 23003964 | Temperature Sensor |
| 42 | 23003058 | Outer Tub Seal |
| 46 | 23001594 | Heating Element Hole Plug |
| 49 | W10286324 | Tub Complete |
| 50 | 23002480 | Hole Plug |

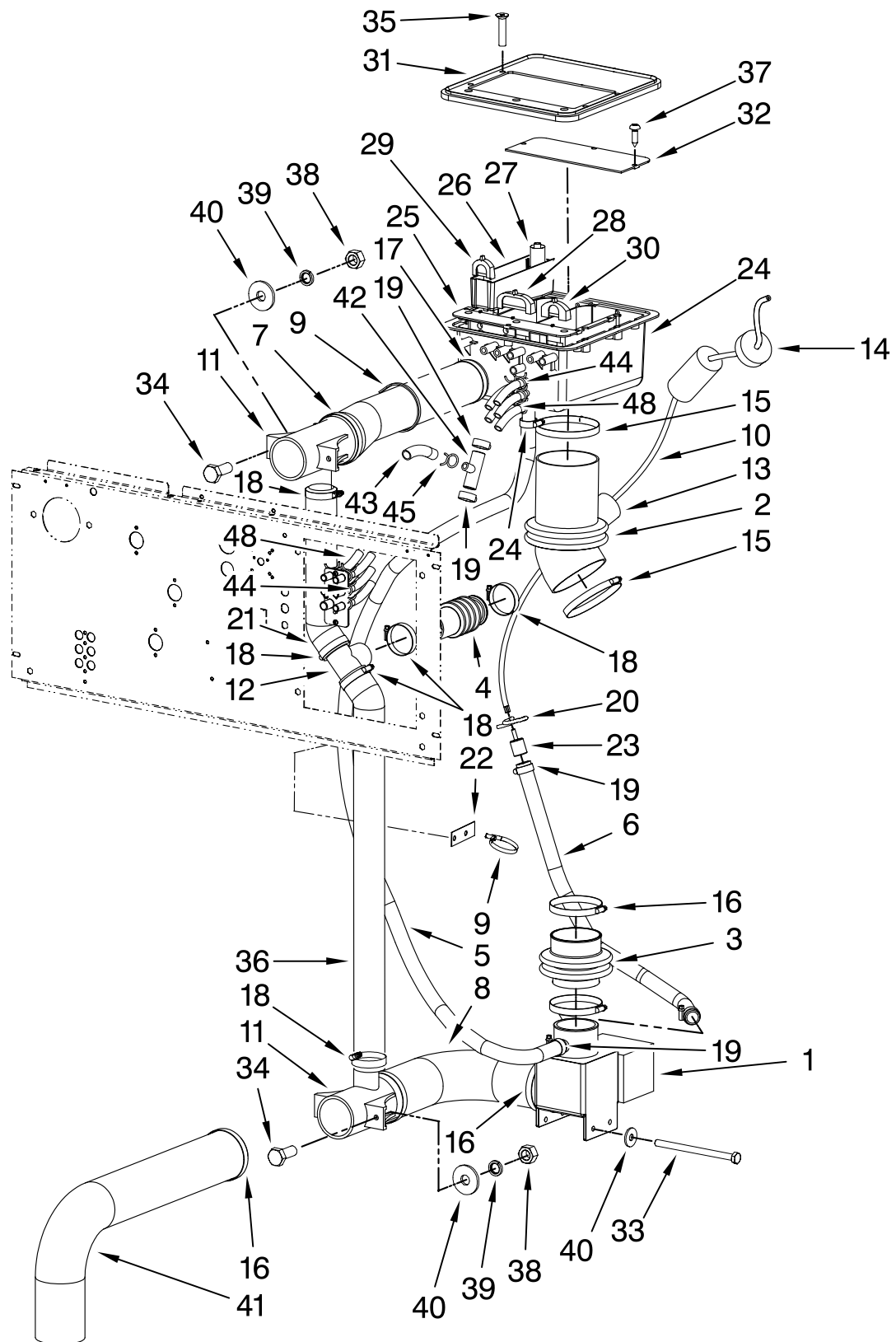
| Optional Parts | | |
|----------------|-----------|-----------|
| 51 | W10308483 | Steam Kit |

FOR ORDERING INFORMATION REFER TO PARTS PRICE LIST

SOAP HOPPER AND WATER SYSTEM PARTS

For Model: MFS55PNAVS

(Stainless)



FOR ORDERING INFORMATION REFER TO PARTS PRICE LIST

SOAP HOPPER AND WATER SYSTEM PARTS

For Model: MFS55PNAVS

(Stainless)

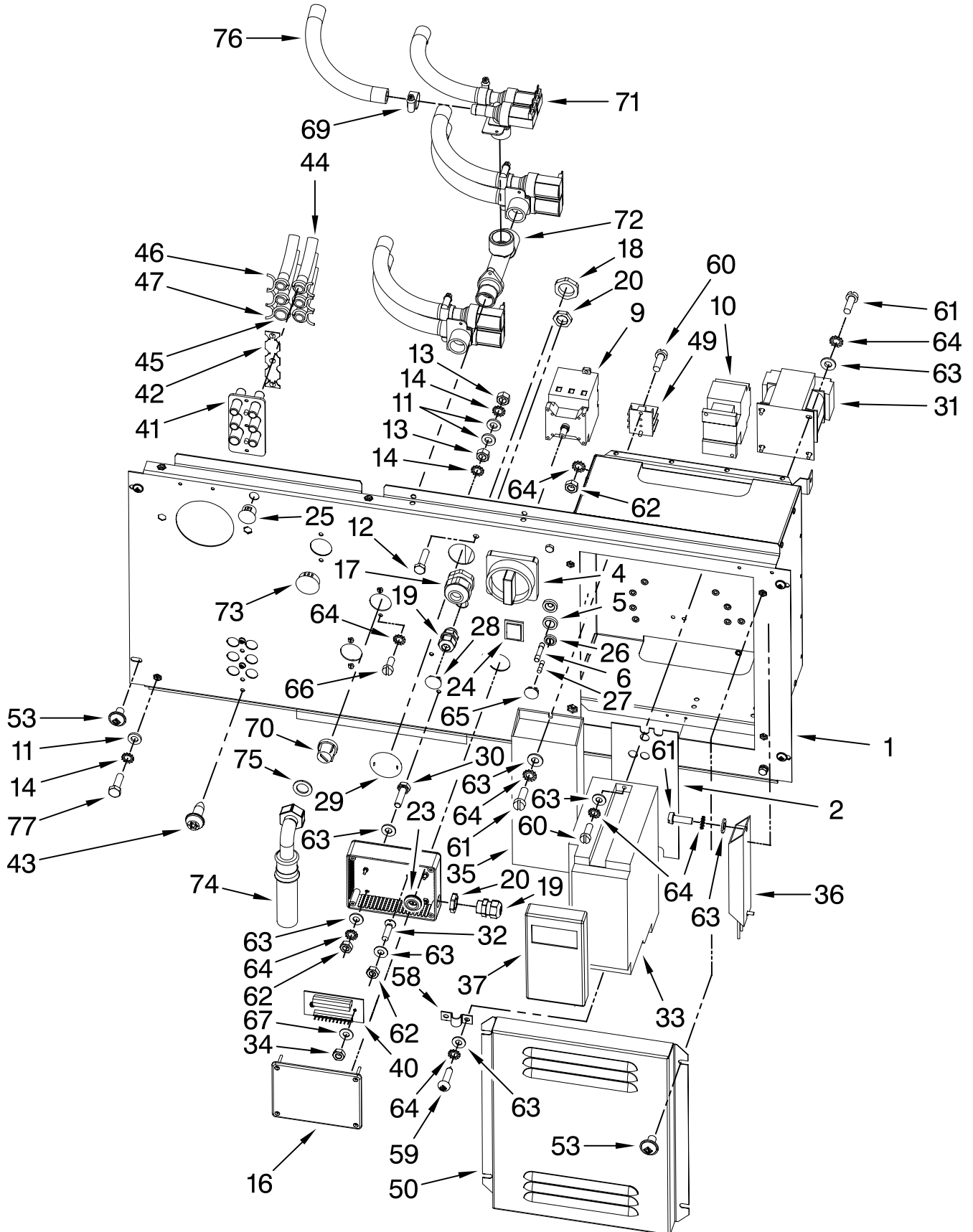
| Illus. No. | Part No. | DESCRIPTION | Illus. No. | Part No. | DESCRIPTION | Illus. No. | Part No. | DESCRIPTION |
|------------|-----------|-------------------------------|------------|-----------|---------------------------------|--|-----------------------------|---------------------------------|
| 1 | 23001244 | Drain valve | 18 | 23001750 | Hose Clamp | 35 | 23003484 | Bolt M5x16 |
| 2 | W10286335 | Hopper to Tub Hose | 19 | 616099 | Hose Clamp | 36 | W10286342 | Lower Overflow Hose |
| 3 | 23001245 | Tub to Drain Hose | 20 | 596669 | Hose Clamp | 37 | 23003782 | Screw M3.5X13 |
| 4 | 23001250 | Corregated Vent Hose | 21 | W10286341 | Upper Overflow Hose | 38 | 23001266 | Nut M8 |
| 5 | W10286336 | Hopper to Drain Valve Hose | 22 | 23003791 | Wire Harness Mtg Plate | 39 | 23001265 | Washer M8 |
| 6 | W10286337 | Lower Pressure Switch Hose | 23 | 23001260 | Pressure Switch Hose Fitting | 40 | 23002437 | Washer M8 |
| 7 | W10286338 | Hopper to T-Hose | 24 | 23001016 | External Soap Hopper | 41 | 23002015 | Drain Elbow |
| 8 | W10286339 | Drain Valve Outlet Hose | 25 | 23001017 | Soap Hopper Insert | 42 | W10304864 | T Fitting |
| 9 | W10286340 | Clamp | 26 | 23001019 | Fabric Softner Insert | 43 | W10223170 | T Fitting to Rear Panel Hose |
| 10 | 23001252 | Upper Pressure Switch Hose | 27 | 23001018 | Syphon Hose | 44 | W10286344 | Hose Clamp |
| 11 | 23001253 | Large T | 28 | 23001022 | Mainwash Diverter | 45 | W10286346 | Hose Clamp |
| 12 | 23001255 | Small T | 29 | 23001023 | Fabric Softner Diverter | 48 | 23002193 | Hose |
| 13 | 23004491 | Larger Bumper | 30 | 23001021 | Prewash Diverter | FOLLOWING PARTS NOT ILLUSTRATED | | |
| 14 | 23003486 | Small Bumper | 31 | 23001015 | Soap Hopper Gasket | 23004242 | Complete Soaphopper | |
| 15 | 23001025 | Hose Clamp | 32 | 23001020 | Insert Retainer | W10286348 | Drain Valve Wire Harness | |
| 16 | 696392 | Hose Clamp | 33 | 23002908 | Bolt M8X120 | | | |
| 17 | 34001289 | Hose Clamp | 34 | 23001264 | Bolt M8X20 | | | |

FOR ORDERING INFORMATION REFER TO PARTS PRICE LIST

REAR PANEL PARTS

For Model: MFS55PNAVS

(Stainless)



FOR ORDERING INFORMATION REFER TO PARTS PRICE LIST

REAR PANEL PARTS

For Model: MFS55PNAVS

(Stainless)

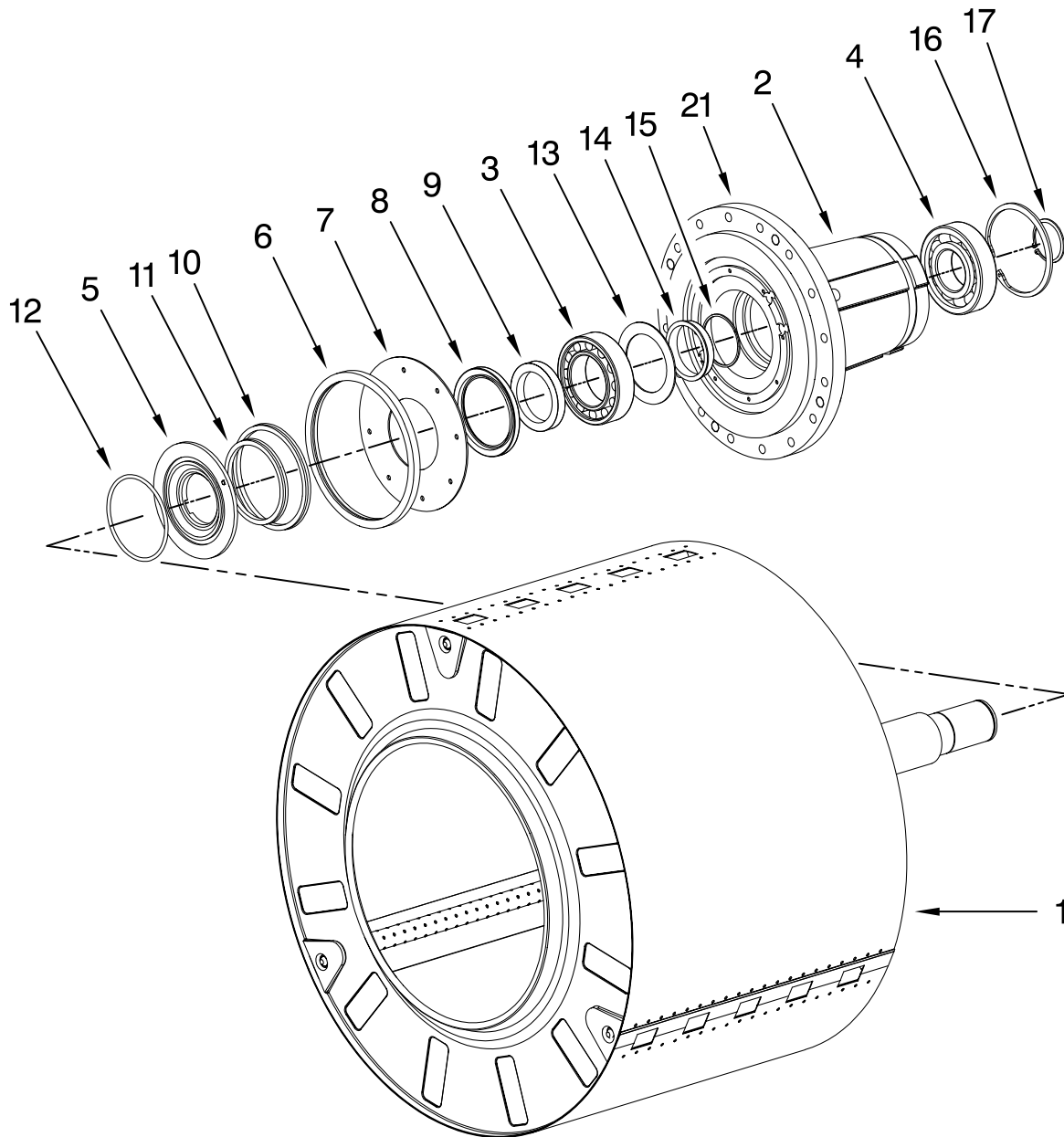
| Illus. No. | Part No. | DESCRIPTION | Illus. No. | Part No. | DESCRIPTION | Illus. No. | Part No. | DESCRIPTION |
|------------|-----------|--------------------------------|------------|-----------|--|------------|-----------|---|
| 1 | W10286349 | Upper Back Panel | 26 | 23001462 | Fuse Holder | 47 | W10286357 | Large Hose |
| 2 | W10286350 | Inverter Mtg Plate | 27 | 23002919 | Fuse 0.5AX250V | | | Clamp D18.5-19.5 |
| 4 | 23003497 | Main Switch Knob | 28 | 23003785 | Plug | 49 | 23002959 | Electric Heat Terminal Board (Optional) |
| 5 | 23002210 | Fuse Holder | 29 | 23002150 | Plug | | | |
| 6 | 22001555 | Fuse 1A | 30 | 23004095 | Bolt M4X16 | 50 | W10286358 | Inverter Cover |
| 9 | 23003500 | Main Switch 25A | 31 | W10286352 | Transformer | 53 | W10286359 | Bolt M6X10 |
| 10 | 23003750 | Contacto LC1-D09M7 | 32 | 23001468 | Bolt M3X12 | 58 | 23004094 | Clamp |
| 11 | 23002424 | Washer M6.4 | 33 | 23004085 | Frequency Inverter | 59 | W10286360 | Screw St4.2X19 |
| 12 | 23002809 | Bolt M6X25 | | W10286353 | Inverter Comm. Cable (Not Shown) | 60 | 23001089 | Bolt M4X16 |
| 13 | 23001312 | Nut M6 | 34 | 8189626 | Nut M3 | 61 | 23002721 | Bolt M4X12 |
| 14 | 23002425 | Lock Washer M6 | 35 | W10286354 | RF Filter | 62 | 23001014 | Nut M4 |
| 16 | W10304865 | Chemical Signal Box & Cover | 36 | 23004363 | Brake Resistor | 63 | 23002438 | Washer M4.3 |
| 17 | 23004395 | Large Strain Relief M25 | 37 | W10304866 | KEB Communication Module | 64 | 23002950 | Lock Washer M4 |
| 18 | 23004397 | Large Strain Relief Nut M25 | 40 | W10286355 | Signal Board | 65 | 505472 | Plug |
| 19 | 23004396 | Small Strain Relief M16 | 41 | W10223169 | Chemical Injection Manifold | 66 | 23001361 | Bolt M4X10 |
| 20 | 23004398 | Small Strain Relief Nut M16 | 42 | 14227179 | Manifold Mtg Plate | 67 | 23003654 | Washer M3.2 |
| 23 | 23002834 | Grommet | 43 | W10131119 | Screw M4X13 | 69 | 596669 | Hose Clamp |
| 24 | 23001452 | Square Plug | 44 | 23002193 | Small Chemical Hose D10/14 | 70 | 23002922 | Filter Screen |
| 25 | 23002794 | Plug | 45 | W10223170 | Large Chemical Hose D14/18 | 71 | 23001455 | Dual Valve |
| | | | 46 | W10286356 | Small Hose Clamp D15.5-16 | 72 | 23002924 | Metal T 3/4 |
| | | | | | | 73 | 23001476 | Plug |
| | | | | | | 74 | 23001523 | Fill Hose |
| | | | | | | 75 | 23002921 | Hose Washer |
| | | | | | | 76 | 23001507 | Inlet Hose |
| | | | | | | 77 | 23002462 | Bolt M6X20 |

FOR ORDERING INFORMATION REFER TO PARTS PRICE LIST

DRUM PARTS

For Model: MFS55PNAVS

(Stainless)



| Illus. No. | Part No. | DESCRIPTION |
|------------|-----------|-----------------|
| 1 | 23004339 | Drum |
| 2 | 23003846 | Bearing Housing |
| 3 | 23003073 | Front Bearing |
| 4 | 23003076 | Rear Bearing |
| 5 | 23003842 | Seal Retainer |
| 6 | W10286325 | Seal |
| 7 | 23003845 | Seal Plate |

| Illus. No. | Part No. | DESCRIPTION |
|------------|----------|------------------|
| 8 | 23003850 | Radial Seal |
| 9 | 23003849 | Radial Seal Ring |
| 10 | 23003843 | Larger V-Ring |
| 11 | 23003069 | Small V-Ring |
| 12 | 23003070 | O-Ring |
| 13 | 23003848 | Grease Retainer |

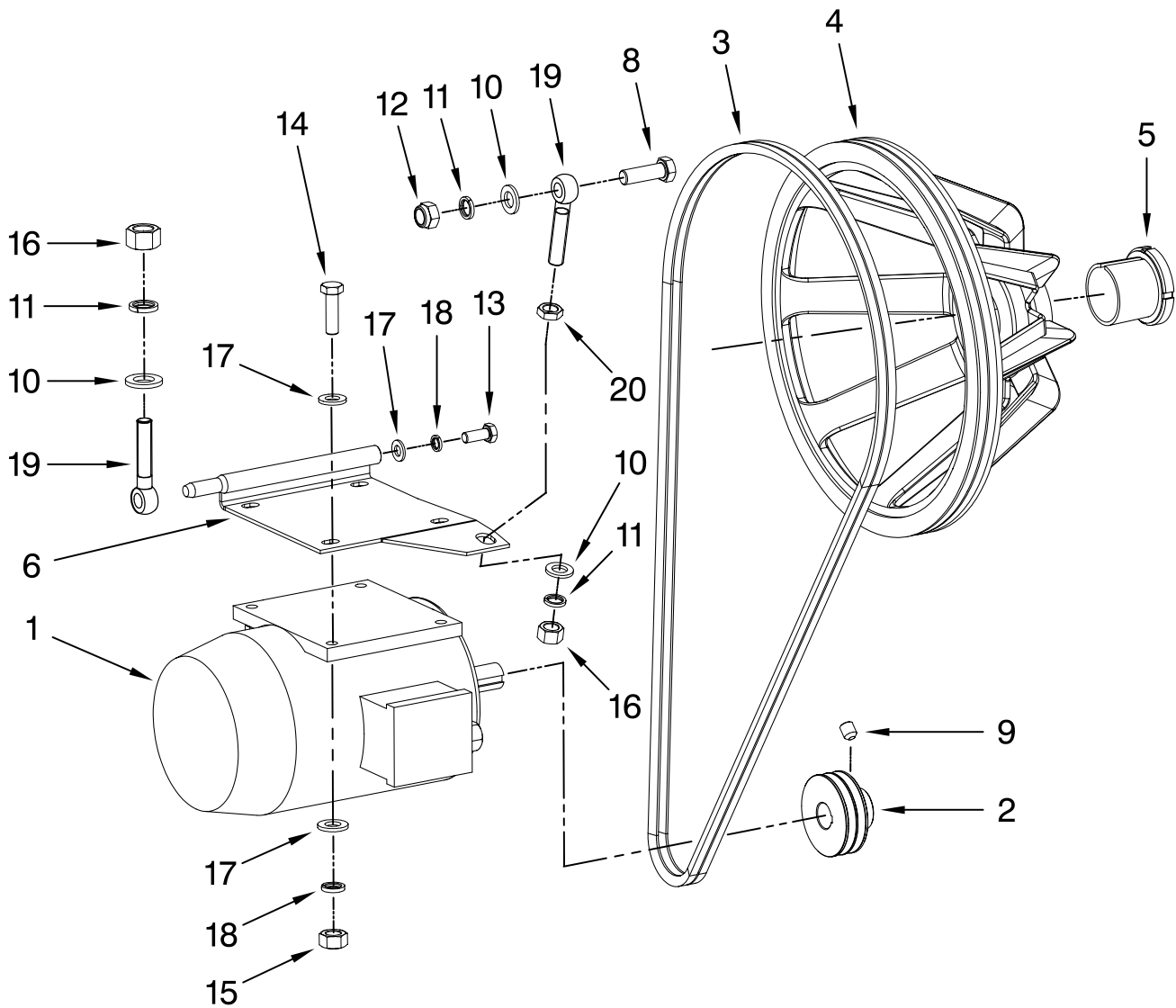
| Illus. No. | Part No. | DESCRIPTION |
|------------|-----------|------------------------|
| 14 | 23003844 | Bearing Cone |
| 15 | 23003072 | Inner Snap Ring |
| 16 | 23003852 | Larger Outer Snap Ring |
| 17 | 23003847 | Small Outer Snap Ring |
| 21 | W10286327 | Trunion |

FOR ORDERING INFORMATION REFER TO PARTS PRICE LIST

DRIVE PARTS

For Model: MFS55PNAVS

(Stainless)



| Illus. No. | Part No. | DESCRIPTION |
|------------|-----------|---|
| 1 | 23004086 | Drive Motor, 3X380-415V, 1X220X240V, 3X208-240V |
| 2 | W10286328 | Motor Pulley |
| 3 | 23004342 | V-Belt |
| 4 | 23003080 | Drum Pulley |

| Illus. No. | Part No. | DESCRIPTION |
|------------|----------|---------------------|
| 5 | 23001653 | Drum Pulley Bushing |
| 6 | 14227099 | Motor Mtg Plate |
| 8 | 23004040 | Bolt M16X50 |
| 9 | 23003267 | Pulley Set Screw |
| 10 | 23001735 | Washer M17 |
| 11 | 23003402 | Washer M17 |
| 12 | 23001651 | Locking Nut M16 |
| 13 | 23001905 | Bolt M10X25 |

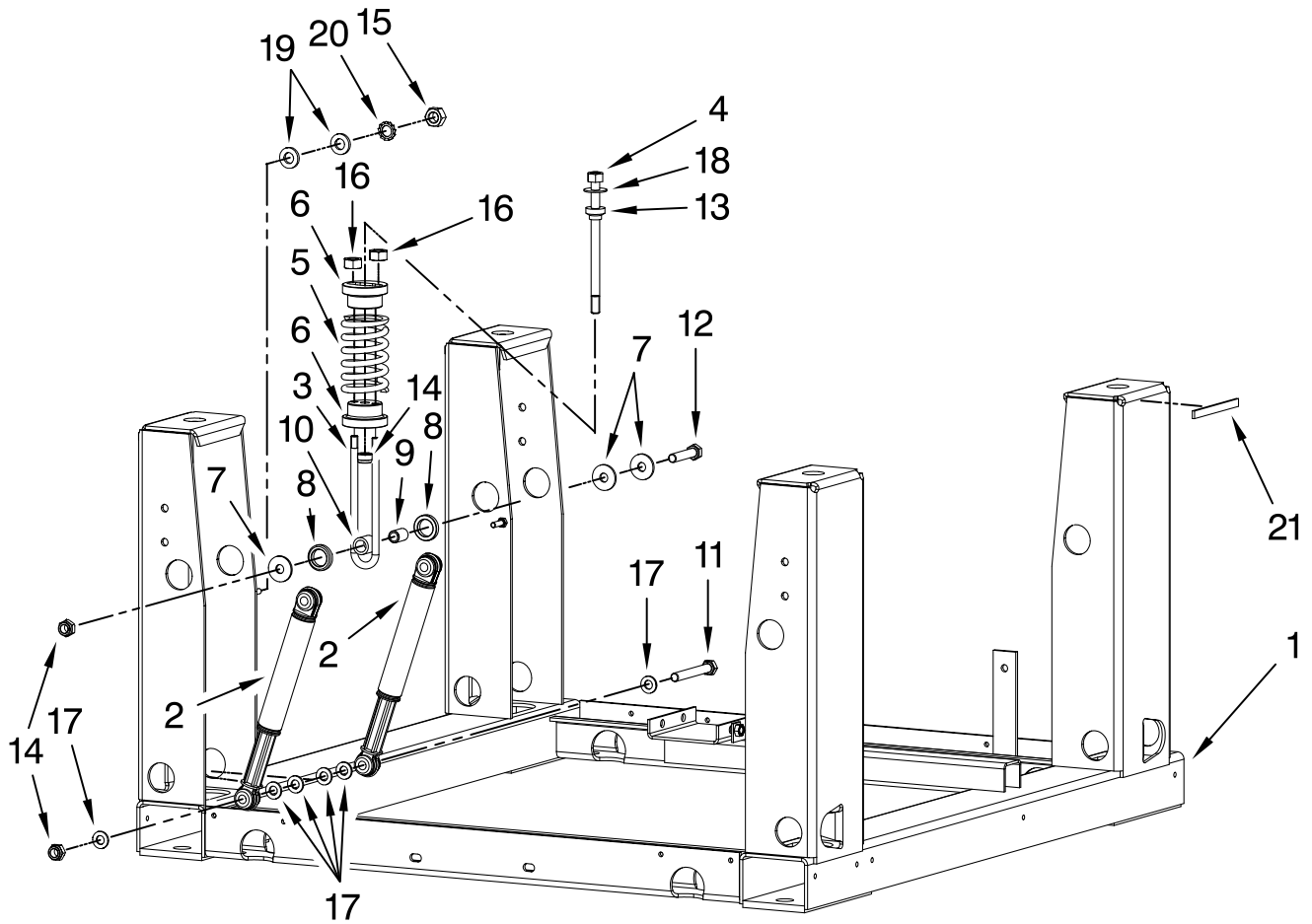
| Illus. No. | Part No. | DESCRIPTION |
|------------|-----------|--------------------|
| 14 | W10304863 | Bolt M10X40 |
| 15 | 23001661 | Nut M10 |
| 16 | 23004281 | Nut M16 |
| 17 | 23003788 | Washer M10.5 |
| 18 | 23002654 | Washer M10 |
| 19 | W10286331 | Eye Bolt M16X90 |
| 20 | W10286332 | Nut M16 |
| | W10286334 | Motor Wire Harness |

FOR ORDERING INFORMATION REFER TO PARTS PRICE LIST

FRAME PARTS

For Model: MFS55PNAVS

(Stainless)



| Illus. No. | Part No. | DESCRIPTION |
|------------|-----------|-----------------------|
| 1 | W10286250 | Frame |
| 2 | 23002983 | Shock Absorber |
| 3 | 23002994 | Suspension Hook |
| 4 | 23002991 | Bolt |
| 5 | 23002996 | Spring |
| 6 | 23002993 | Plastic Spring Holder |
| 7 | 23004023 | Washer M10 |

| Illus. No. | Part No. | DESCRIPTION |
|------------|-----------|-----------------------------|
| 8 | W10286255 | Shim |
| 9 | 23002995 | Spacer |
| 10 | 23002692 | Bushing for Suspension Hook |
| 11 | 23002984 | Bolt M10X80 |
| 12 | W10286257 | Bolt M10X50 |
| 13 | 23002992 | Bushing for Suspension Bolt |

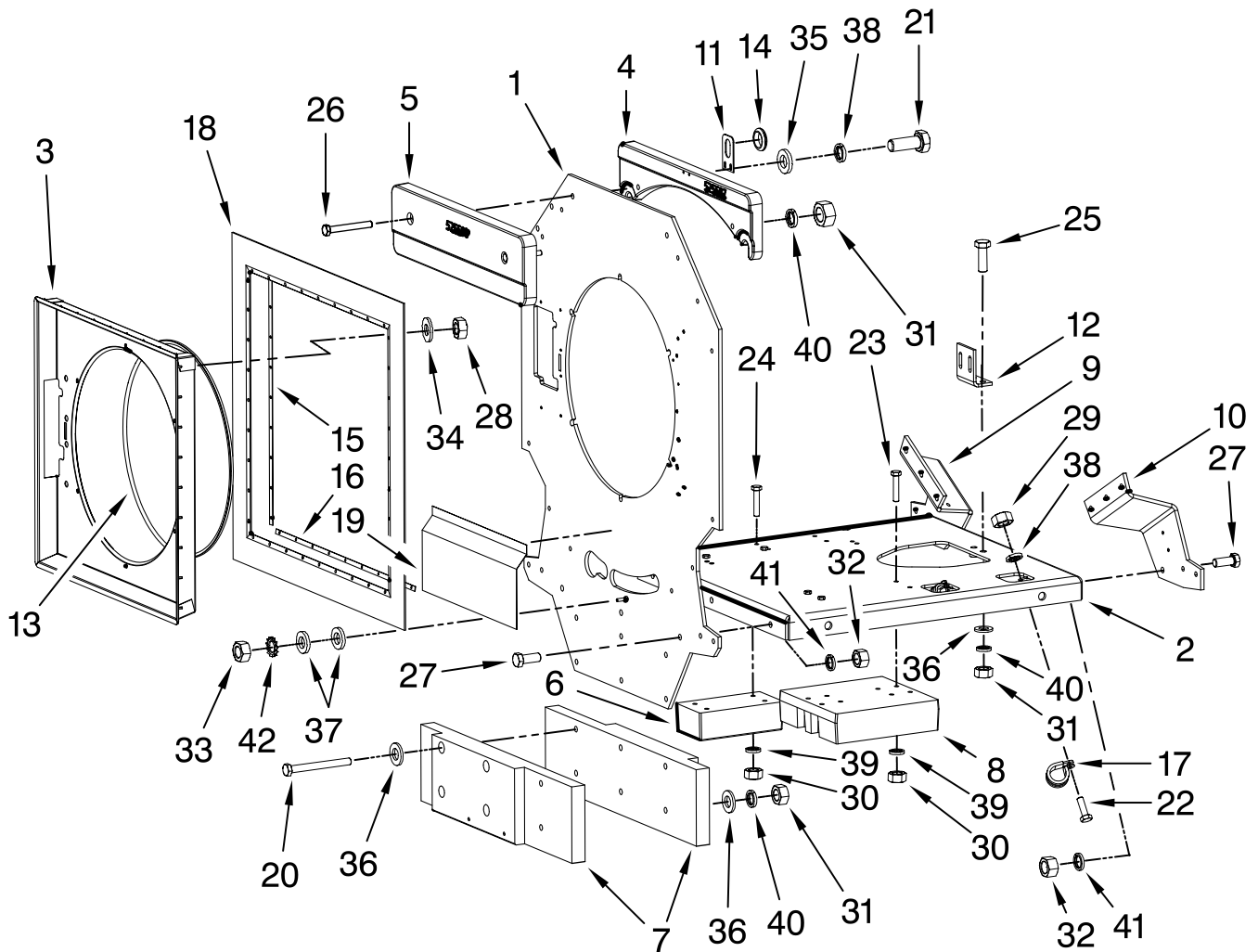
| Illus. No. | Part No. | DESCRIPTION |
|------------|-----------|----------------|
| 14 | 23002356 | Nut M10 |
| 15 | 23002280 | Nut M6 |
| 16 | 23003766 | Nut M8 |
| 17 | 23003788 | Washer M10.5 |
| 18 | W10286260 | Washer M10 |
| 19 | 23002424 | Washer M6.4 |
| 20 | 23001734 | Lock Washer M6 |
| 21 | W10286261 | Foam-Seal |

FOR ORDERING INFORMATION REFER TO PARTS PRICE LIST

FRONT SUSPENSION PARTS

For Model: MFS55PNAVS

(Stainless)



| Illus. No. | Part No. | DESCRIPTION |
|------------|-----------|-------------------------------|
| 1 | W10286262 | Front Counter Weight |
| 2 | W10286263 | Outer Tub Support Plate |
| 3 | W10286264 | Tub Front Extension |
| 4 | W10286265 | Top Counter Weight (Rear) |
| 5 | W10286266 | Top Counter Weight (Front) |
| 6 | W10286267 | Small Support Weight |
| 7 | 23003062 | Lower Counter Weight |
| 8 | 23004343 | Large Support Weight |
| 9 | W10286269 | Left Shock Absorber Mtg Plate |

| Illus. No. | Part No. | DESCRIPTION |
|------------|-----------|--------------------------------|
| 10 | W10286270 | Right Shock Absorber Mtg Plate |
| 11 | W10286271 | Out of Balance Sensor |
| 12 | 23003051 | Support |
| 13 | 23002473 | Outer Tub Seal |
| 14 | 23001117 | Sensor Bushing |
| 15 | 23003839 | Guard Retainer |
| 16 | 23003840 | Guard Retainer |
| 17 | W10286272 | Cable Retainer |
| 18 | W10286274 | Finger Guard |
| 19 | 14227292 | Guard |
| 20 | W10286275 | Bolt M10X100 |
| 21 | 23002461 | Bolt M6X16 |
| 22 | 23002462 | Bolt M6X20 |
| 23 | 23002646 | Bolt M8X40 |
| 24 | 23004198 | Bolt M8X50 |

| Illus. No. | Part No. | DESCRIPTION |
|------------|----------|------------------|
| 25 | 23002987 | Bolt M10X30 |
| 26 | 23002984 | Bolt M10X80 |
| 27 | 23002669 | Bolt M12X30 |
| 28 | 23001014 | Nut M4 |
| 29 | 23001312 | Mut M6 |
| 30 | 23001266 | Nut M8 |
| 31 | 23001661 | Nut M10 |
| 32 | 23003676 | Nut M12 |
| 33 | 23001312 | Nut M6 |
| 34 | 23002400 | Washer M4 |
| 35 | 23002756 | Washer M6.4 |
| 36 | 23003788 | Washer M10.5 |
| 37 | 23002424 | Washer M6.4 |
| 38 | 23002440 | Washer M6 |
| 39 | 23002358 | Washer M8 |
| 40 | 23002654 | Washer M10 |
| 41 | 23002658 | Washer M12 |
| 42 | 23002425 | Locker Washer M6 |

FOR ORDERING INFORMATION REFER TO PARTS PRICE LIST