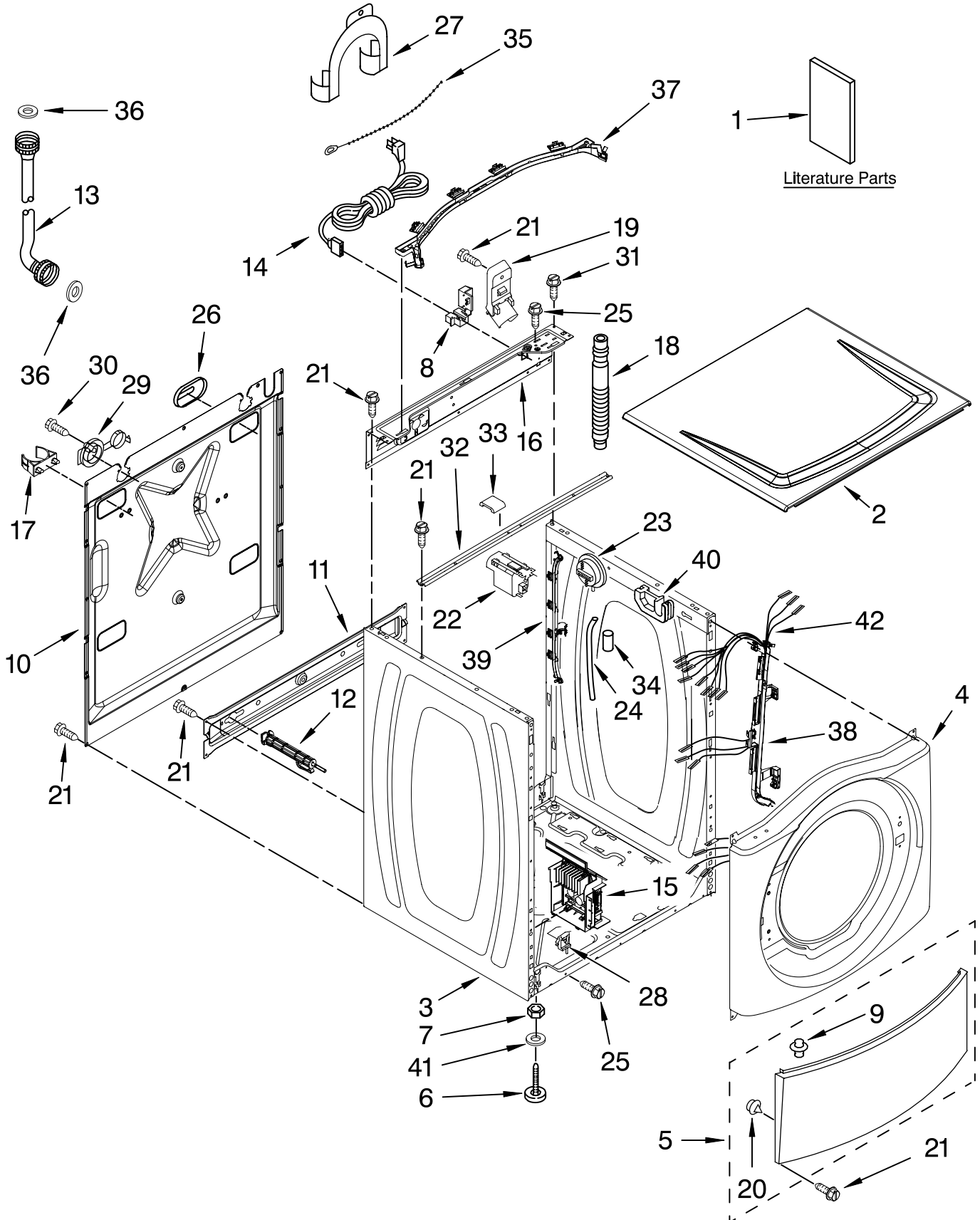


## TOP AND CABINET PARTS

For Models: MHWZ600TW02, MHWZ600TB02, MHWZ600TK02  
(White/Chrome) (Black/Chrome) (Pacific Blue)

AUTOMATIC  
WASHER



FOR ORDERING INFORMATION REFER TO PARTS PRICE LIST

# TOP AND CABINET PARTS

For Models: MHWZ600TW02, MHWZ600TB02, MHWZ600TK02  
(White/Chrome) (Black/Chrome) (Pacific Blue)

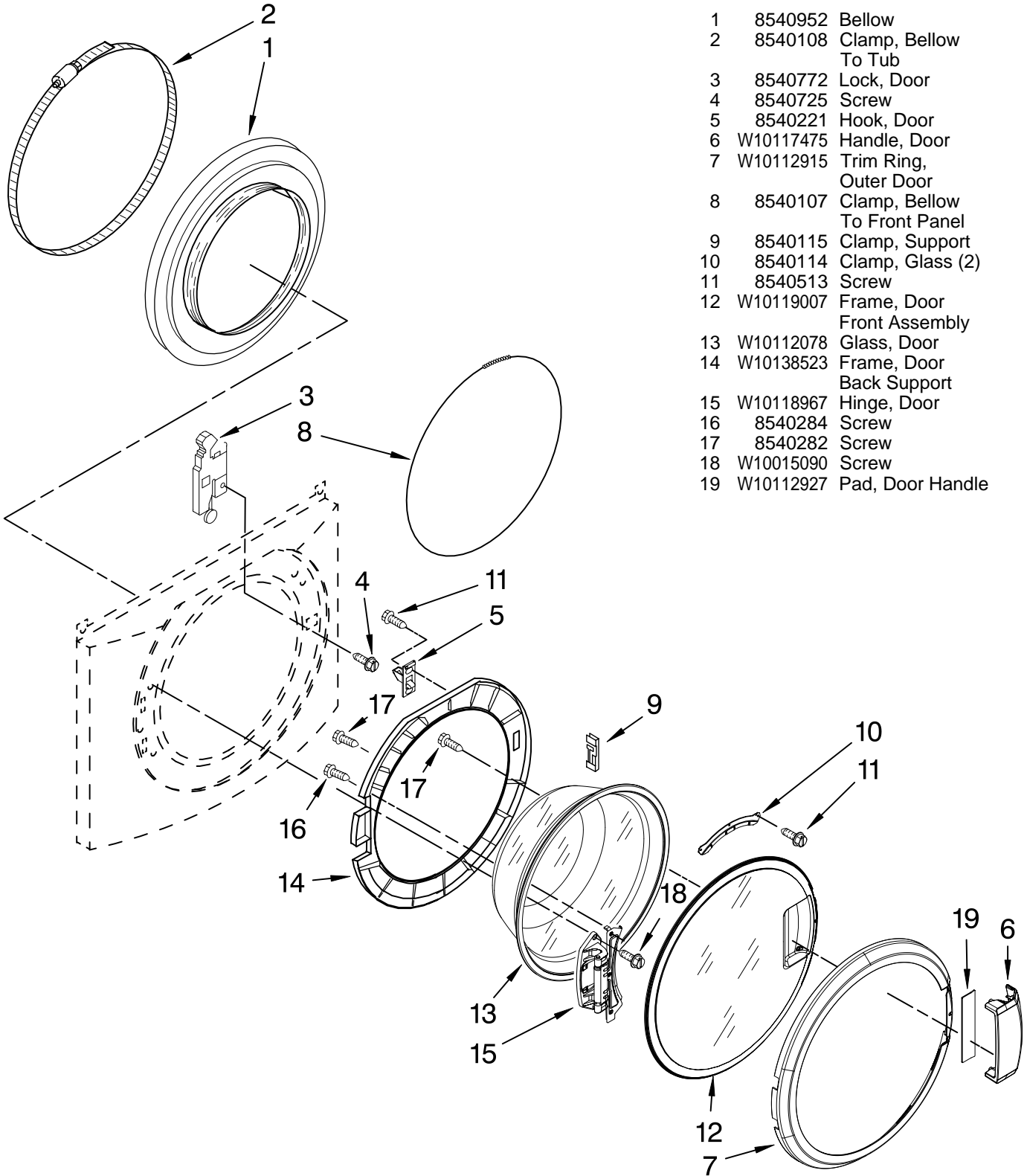
Illus. No.	Part No.	DESCRIPTION	Illus. No.	Part No.	DESCRIPTION	Illus. No.	Part No.	DESCRIPTION
1		Literature Parts	9	8518891	Rivet	28	W10085220	Microswitch (2)
	W10151563	Use & Care Guide	10	8540580	Panel, Rear	29	8540728	Sleeve, Cord Support (2)
	W10207733	Tech Sheet	11	W10189657	Brace, Transport	30	8540727	Screw, 3 x 8 mm
	W10171153	Energy Guide	12	8540199	Bolt, Shipping (4)	31	8540329	Screw
	W10112913	Quick Start Guide	13		Hose, Water Inlet	32	8540720	Brace, Top (Includes Item 33)
2		Top		8571377	Blue Coupler	33	8283273	Damper, Brace
	8540716	White		8571378	Red Coupler	34	2161302	Sleeve, Pressure Switch Hose
	W10128645	Black	14	W10121405	Cord, Power	35	3347868	Cable Tie
	W10135105	Pacific Blue	15	W10205342	Motor Control Unit	36	16123	Washer, Water Inlet Hose (4) 1-1/16 x 5/8
3		Cabinet	16	W10161694	Brace, Rear	37	W10168548	Harness Channel, Top Rear
	W10201831	White	17	8540093	Clamp, Tube Transportation	38	W10168546	Harness Channel, Side Front
	W10201827	Black	18	W10114608	Hose, Drain	39	W10168547	Harness Channel, Side Rear
	W10201830	Pacific Blue	19	8540607	Retainer, Hose Outlet	40	8540644	Bracket, Spring
4		Panel, Front	20	238614	Bumper (2)	41	487576	Washer, Nylon (4)
	W10112948	White	21	W10015090	Screw, 8-18 x 5/8	42	W10207799	Harness, Wiring (Lower Main) (Includes Item 38)
	W10117457	Black	22	8540230	Filter, Interference			
	W10119003	Pacific Blue	23	W10163980	Switch, Pressure			
5		Toe Panel	24	8540294	Hose, Pressure Switch			
	8540813	White	25	8540479	Screw, Grounding			
	W10112981	Black	26	8540268	Cover, Transport			
	W10135013	Pacific Blue	27	8540021	U-Bend, Drain Hose			
6	W10121677	Foot, Leveling (4)						
7	3359452	Nut, Lock (4)						
8	W10110676	Strain Relief, Power Cord						

FOR ORDERING INFORMATION REFER TO PARTS PRICE LIST

# DOOR AND LATCH PARTS

For Models: MHWZ600TW02, MHWZ600TB02, MHWZ600TK02  
(White/Chrome) (Black/Chrome) (Pacific Blue)

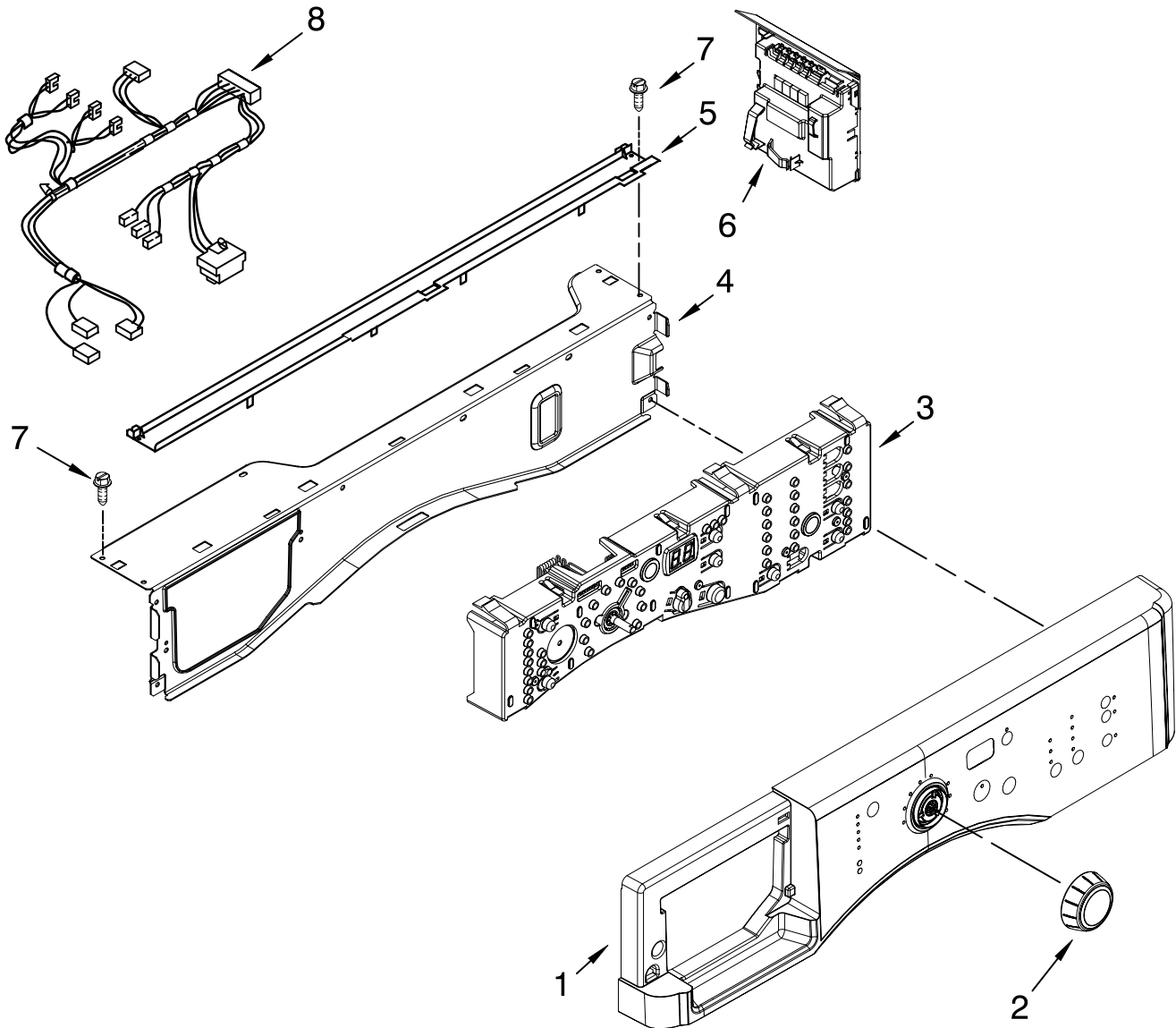
Illus. No.	Part No.	DESCRIPTION
1	8540952	Bellow
2	8540108	Clamp, Bellow To Tub
3	8540772	Lock, Door
4	8540725	Screw
5	8540221	Hook, Door
6	W10117475	Handle, Door
7	W10112915	Trim Ring, Outer Door
8	8540107	Clamp, Bellow To Front Panel
9	8540115	Clamp, Support
10	8540114	Clamp, Glass (2)
11	8540513	Screw
12	W10119007	Frame, Door Front Assembly
13	W10112078	Glass, Door
14	W10138523	Frame, Door Back Support
15	W10118967	Hinge, Door
16	8540284	Screw
17	8540282	Screw
18	W10015090	Screw
19	W10112927	Pad, Door Handle



FOR ORDERING INFORMATION REFER TO PARTS PRICE LIST

# CONTROL PANEL PARTS

For Models: MHWZ600TW02, MHWZ600TB02, MHWZ600TK02  
(White/Chrome) (Black/Chrome) (Pacific Blue)

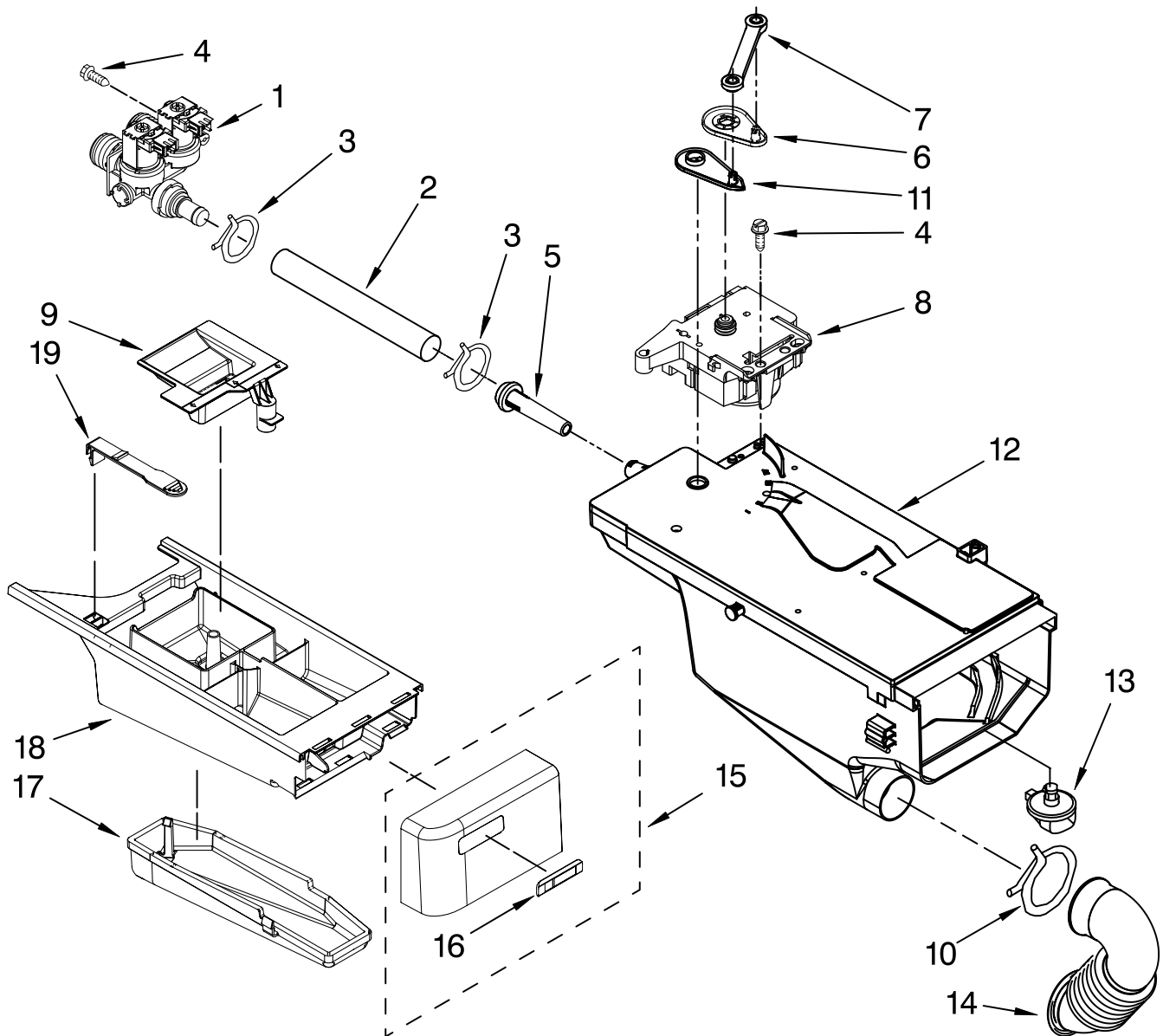


Illus. No.	Part No.	DESCRIPTION
1	W10117409	Panel, Control White
	W10117413	Black
	W10119012	Pacific Blue
2	W10119050	Knob, Control
3	W10117419	User Interface
4	8540558	Brace, Top Front
5	8540722	Channel, Water
6	W10217425	Microcomputer, Machine Control
7	W10015090	Screw, 8-18 X 5/8
8	W10201876	Harness, Wiring (Upper Main) (Includes Items 37 & 39 On Page 1)

FOR ORDERING INFORMATION REFER TO PARTS PRICE LIST

# DISPENSER PARTS

For Models: MHWZ600TW02, MHWZ600TB02, MHWZ600TK02  
(White/Chrome) (Black/Chrome) (Pacific Blue)



Illus. No.	Part No.	DESCRIPTION
1	8540751	Valve, Inlet
2	8540065	Hose, Valve To Dispenser
3	370450	Clamp, Hose
4	8540282	Screw
5	8540042	Nozzle, Inlet
6	8540393	Cam, Actuator
7	8540394	Lever, Water Distribution
8	W10143587	Actuator

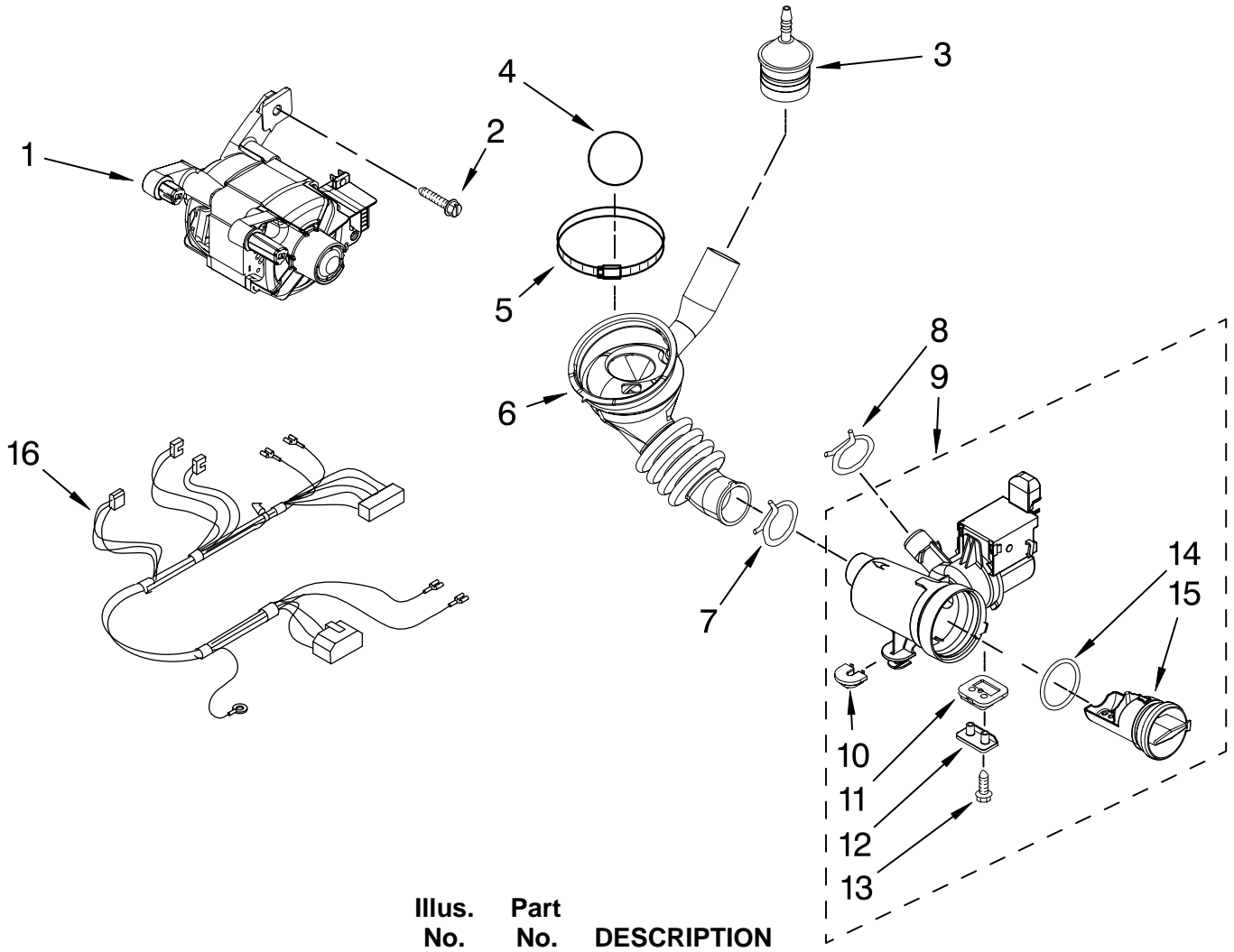
Illus. No.	Part No.	DESCRIPTION
9	8540429	Siphon, Bleach/Softener
10	8281276	Clamp, Hose
11	8540395	Connection, Lever
12	8540058	Dispenser
13	8540053	Nozzle, Distribution
14	8540063	Hose, Dispenser To Tub

Illus. No.	Part No.	DESCRIPTION
15		Handle, Drawer
	W10118955	White
	W10118961	Black
	W10119017	Pacific Blue
16	W10112569	Badge Assembly
17	8540399	Cover, Detergent Drawer
18	8540402	Drawer, Detergent
19	8540400	Hook, Drawer

FOR ORDERING INFORMATION REFER TO PARTS PRICE LIST

# PUMP AND MOTOR PARTS

For Models: MHWZ600TW02, MHWZ600TB02, MHWZ600TK02  
(White/Chrome) (Black/Chrome) (Pacific Blue)

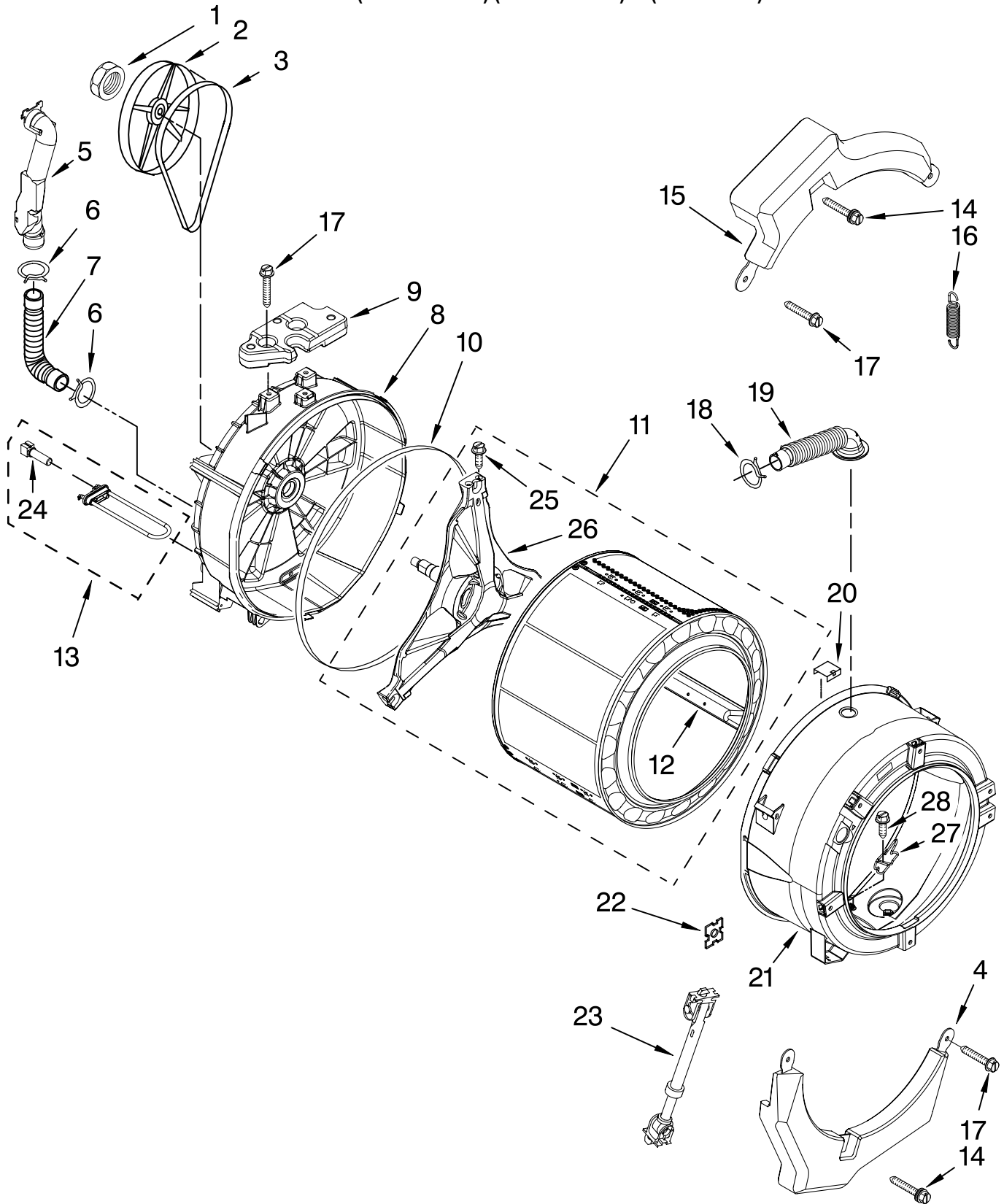


Illus. No.	Part No.	DESCRIPTION
1	W10171902	Motor, Drive
2	8540134	Bolt, Motor
3	8540180	Air Trap
4	8540013	Ball
5	8540008	Clamp
6	8540012	Hose, Tub to Pump
7	370448	Clamp, Hose
8	356138	Clamp, Drain Hose
9	W10130913	Pump (Complete)
10	W10034820	Foot, Rubber (Slider)
11	W10034830	Foot, Rubber (Lock)
12	8540033	Cap, Lock Foot
13	8533964	Screw, 10-16 x 1.25 (2)
14	8540025	Seal, Filter Cap
15	8540996	Filter Assembly (Includes Item 14)
16	W10201879	Harness, Motor

FOR ORDERING INFORMATION REFER TO PARTS PRICE LIST

# TUB AND BASKET PARTS

For Models: MHWZ600TW02, MHWZ600TB02, MHWZ600TK02  
(White/Chrome) (Black/Chrome) (Pacific Blue)



FOR ORDERING INFORMATION REFER TO PARTS PRICE LIST

# TUB AND BASKET PARTS

For Models: MHWZ600TW02, MHWZ600TB02, MHWZ600TK02  
(White/Chrome) (Black/Chrome) (Pacific Blue)

Illus. No.	Part No.	DESCRIPTION
1	8533999	Nut, Pulley
2	8540088C	Pulley
3	W10116215	Belt, Drive
4	W10151304	Counterweight, Front Lower
5	W10112169	Pipe, Ventilation
6	8540010	Clamp, Vent Hose
7	8540019	Hose, Exhaust
8	W10202944	Tub, Rear (Includes Items 10, 21 & 22)
9	W10132097	Counterweight, Rear
10	8540090	Gasket, Tub
11	W10112984	Basket, Complete
12	W10112972	Baffle, Tub
13	W10155115	Element, Heating
14	W10174473	Bolt Assembly, Counterweight Center Hole
15	W10151303	Counterweight, Front Upper
16	W10010360	Spring, Suspension
17	W10094780	Bolt, Counterweight Mtg.
18	3363365	Clamp, Hose
19	8540015	Hose, Exhaust
20	8540092	Clamp, Tub
21	W10112664	Tub, Front (Includes Items 8, 10, 22, 27 & 28)
22	8540072	Nut, Push-In
23	W10159465	Shock Absorber (4)
24	8540226	Negative Thermistor Control
25	8540382	Screw
26	8540342	Crosspiece Assembly
27	8540322	Bracket, Heating Element
28	8540880	Screw

FOR ORDERING INFORMATION REFER TO PARTS PRICE LIST



# OPTIONAL PARTS (NOT INCLUDED)

For Models: MHWZ600TW02, MHWZ600TB02, MHWZ600TK02  
(White/Chrome) (Black/Chrome) (Pacific Blue)

<b>Illus.</b>	<b>Part</b>	
<b>No.</b>	<b>No.</b>	<b>DESCRIPTION</b>

## PAINT, TOUCH-UP (1/2oz.)

72017	White
72032	Black
4396816	Pacific Blue

## PAINT, PRESSURIZED SPRAY (12 oz.)

350938	Primer, Gray
350930	White
285006	Black

## PAINT, BULK (1 qt.)

799344	White (Uncut)
786032	Black (Uncut)

## ACCESSORY PARTS

285863	Drain Extension
W10135699	Affresh Odor Remover

FOR ORDERING INFORMATION REFER TO PARTS PRICE LIST