

DRYER

Repair Parts List

MODEL NUMBER
MLG15MNAGW

When requesting service or ordering parts, always provide the following information:

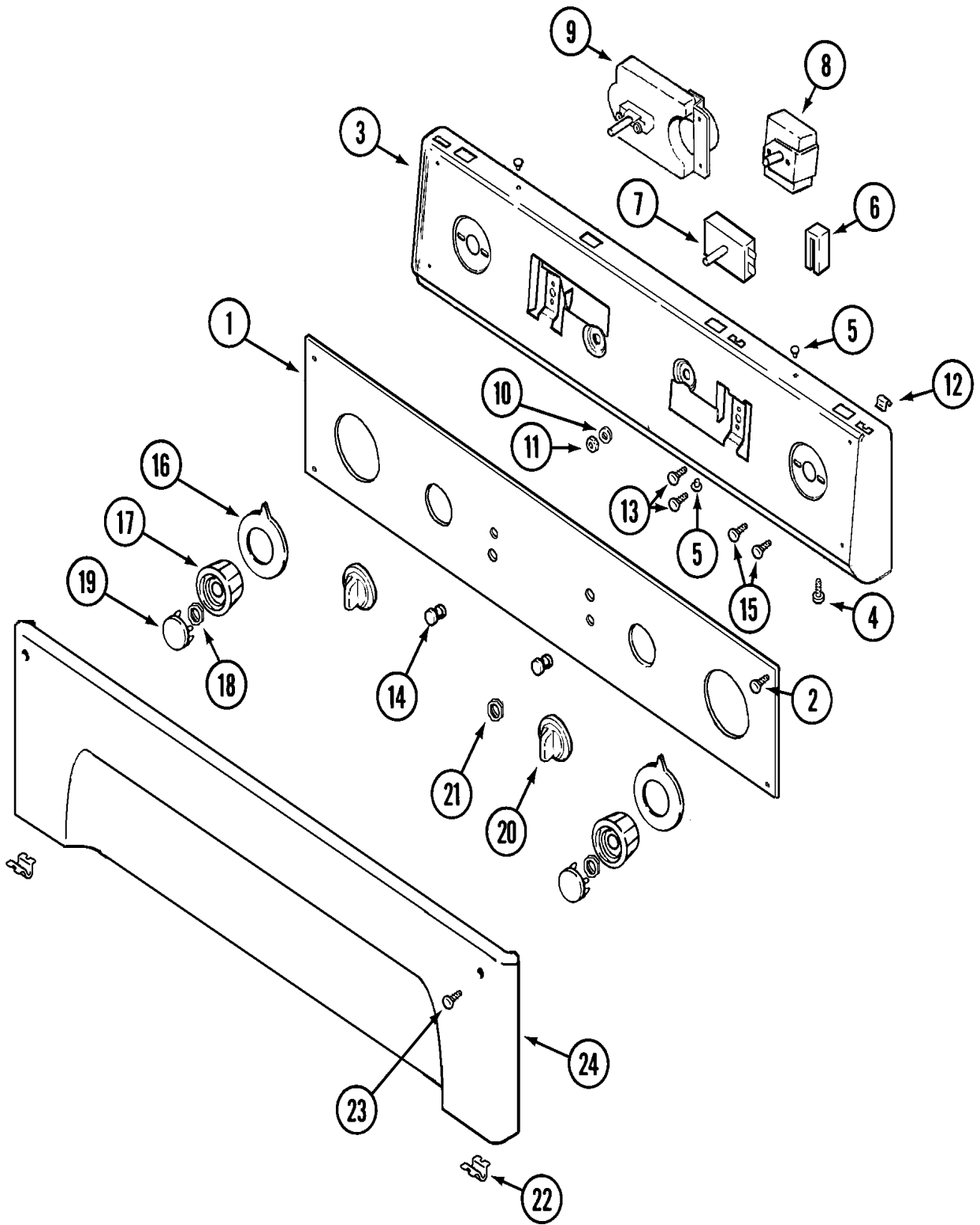
- Product Type
- Part Number
- Model Number
- Part Description

MAYTAG®

©2005 Maytag Services

Section: CONTROL PANEL (UPPER)

Model: MLG15MNAGW



LD11-74

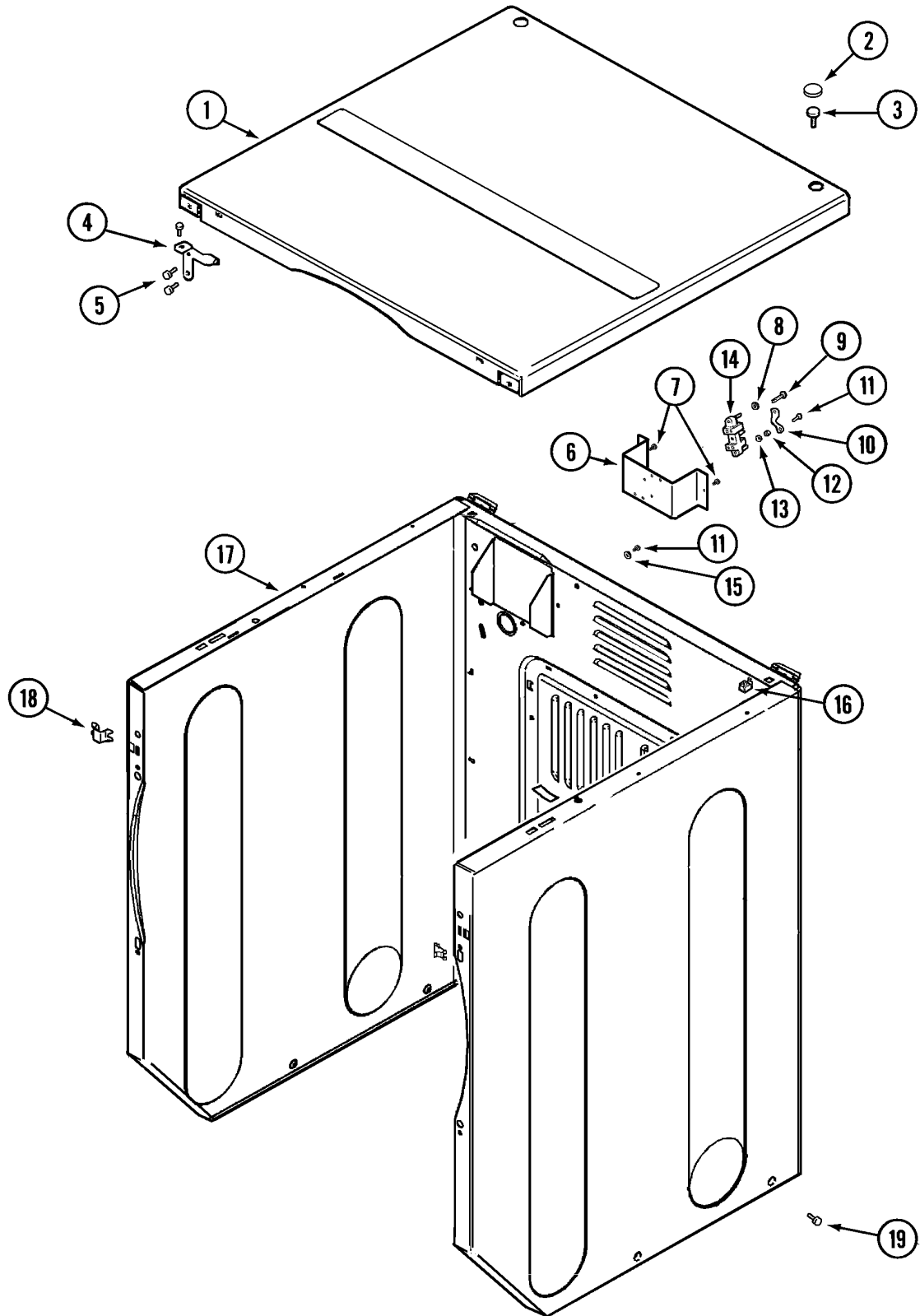
Section: CONTROL PANEL (UPPER)

No.	Part No.	Description	Series	Qty
1	33002070	OVERLAY, CONTROL PANEL	10	1
2	215506	SCREW, TORX Note: SCREW, CONTROL PANEL OVERLAY	10	4
-	33002003	FASTENER CLIP, CONTROL PANEL	10	2
3	33002071	PANEL, CONTROL (WHT)	10	1
4	215506	SCREW, TORX Note: SCREW, CONTROL PANEL	10	2
5	33001132	PLUG, SIGHT HOLE (WHT)	10	4
6	22001365	LIGHT, INDICATOR Note: LAMP, CONTROL PANEL	10	2
7	306940	SWITCH, PUSH-TO-START	10	2
8	307253	SWITCH CYCLE SEL Note: SWITCH, CYCLE SELECTOR	10	2
9	N 307496	TIMER 240-50 Note: TIMER	10	2
10	312751	LOCK WASHER Note: WASHER, LOCK	10	2
11	312706	HEX NUT ON SWITCH Note: NUT, PUSH TO START SWITCH	10	2
12	33001977	FASTENER, CONTROL PANEL	10	2
13	313588	SCREW Note: SCREW, SELECTOR SWITCH	10	4
14	215564	LENS, INDICATOR (AMBER) Note: LENS, INDICATOR	10	2
15	313588	SCREW Note: SCREW, TIMER	10	4
16	33001500	SKIRT, DIAL	10	2
17	314724	KNOB FOR TIMER Note: KNOB, CONTROL	10	2
18	312273	NUT Note: NUT, CONTROL KNOB	10	2
19	314723	CAP FOR TIMER KNOB Note: CAP, KNOB	10	2
20	205663	KNOB FOR SELECTOR SWITCH Note: KNOB, CYCLE SELECTOR	10	2
21	312702	KNURLED NUT Note: NUT, PUSH TO START SWITCH	10	2
22	33001980	CLIP, ACCESS PANEL Note: FASTENER, ACCESS PANEL	10	2
23	215506	SCREW, TORX Note: SCREW, ACCESS PANEL	10	2
24	33002072	PANEL, ACCESS (WHT) Note: PANEL, ACCESS (WHT)	10	1
-	33002087	WIRE HARNESS, MAIN (UPR)	10	1

*Color Code (-)=Not Shown #=Series, Serial Prefix or Run No., N=Not Available

Section: CABINET-FRONT (UPPER)

Model: MLG15MNAGW



LD12-25

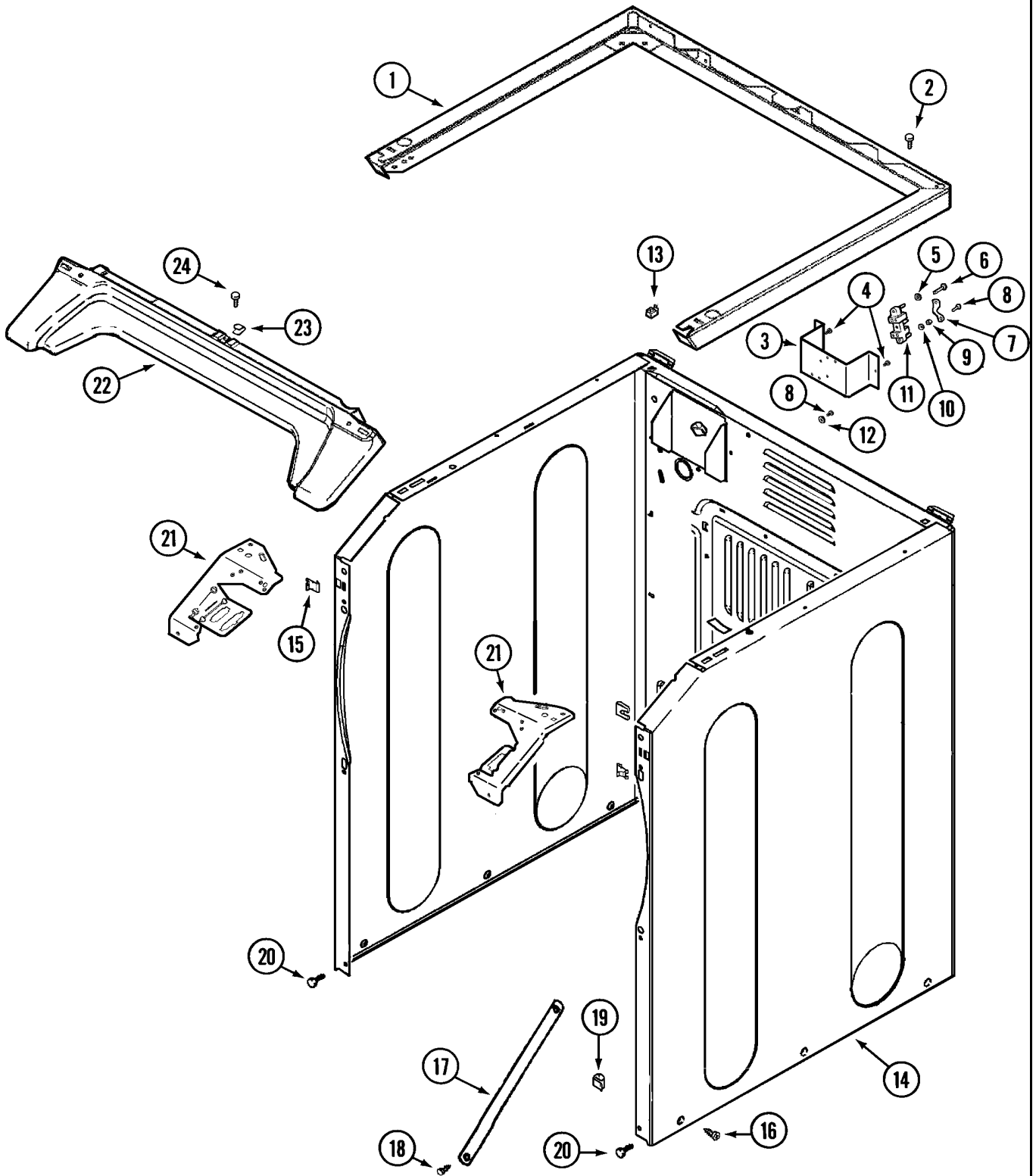
Section: CABINET-FRONT (UPPER)

No.	Part No.	Description	Series	Qty
1	33001995	COVER, TOP (WHT)	10	1
2	33001997	PLUG, HOLE	10	2
3	22001883	SCREW Note: SCREW, TOP COVER	10	2
4	33001998	BRACKET, TOP COVER (LT)	10	1
4	33001999	BRACKET, TOP COVER (RT) Note: (RT)	10	1
5	22001995	SCREW Note: SCREW, TOP COVER BRACKET	10	6
6 N	33001826	BRACKET, TERMINAL BLOCK----NA	10	1
7	22001995	SCREW Note: SCREW, TERMINAL BLOCK BRACKET	10	2
15 N	313363	WASHER Note: WASHER, GROUND LUG	10	1
16	22001502	FASTENER, U-NUT	10	2
17	33002000	CABINET (WHT)	10	1
18	33001980	CLIP, ACCESS PANEL	10	2
19	213007	SCREW, CABINET	10	6

*Color Code (-)=Not Shown #=Series, Serial Prefix or Run No., N=Not Available

Section: CABINET-FRONT (LOWER)

Model: MLG15MNAGW



LD12-28

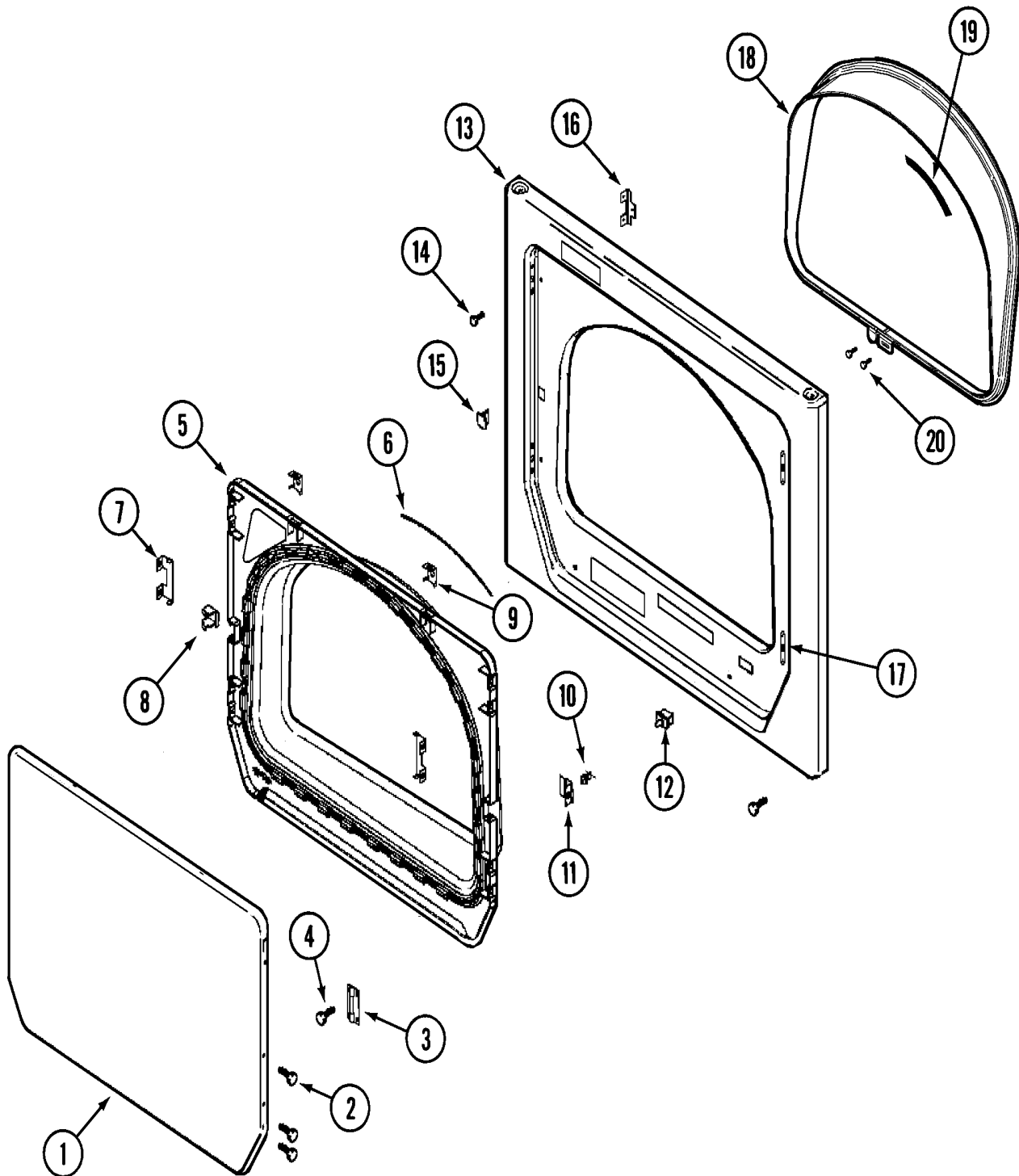
Section: CABINET-FRONT (LOWER)

No.	Part No.	Description	Series	Qty
1	33002005	SUPPORT (WHT)	10	1
2	22001883	SCREW Note: SCREW, SUPPORT	10	4
3	N 33001826	BRACKET, TERMINAL BLOCK----NA	10	1
4	22001995	SCREW Note: SCREW, TERMINAL BLOCK BRACKET	10	2
13	22001502	FASTENER, U-NUT	10	2
14	33001843	CABINET (WHT)	10	1
15	22002049	CLIP Note: CLIP, FRONT PANEL	10	2
16	213007	SCREW, CABINET	10	6
17	22002259	BRACE, CROSS	10	2
18	22001995	SCREW Note: SCREW, CROSS BRACE	10	2
19	310376	CLIP, WIRE HARNESS	10	1
20	22001995	SCREW Note: SCREW, CABINET	10	2
21	33002009	BRACKET, CORNER (LT)	10	1
21	33002010	BRACKET, CORNER (RT) Note: (RT)	10	1
22	33002011	COVER, ACCESS (WHT)	10	1
23	33002013	FASTENER CLIP, ACCESS COVER Note: FASTENER, ACCESS COVER	10	1
24	22001995	SCREW Note: SCREW, ACCESS COVER	10	1
-	33002089	WIRE HARNESS, MAIN (LWR)	10	1
-	33001989	RETAINER, WIRE Note: RETAINER, WIRE HARNESS	10	2

*Color Code (-)=Not Shown #=Series, Serial Prefix or Run No., N=Not Available

Section: DOOR (UPPER)

Model: MLG15MNAGW



LD17-13

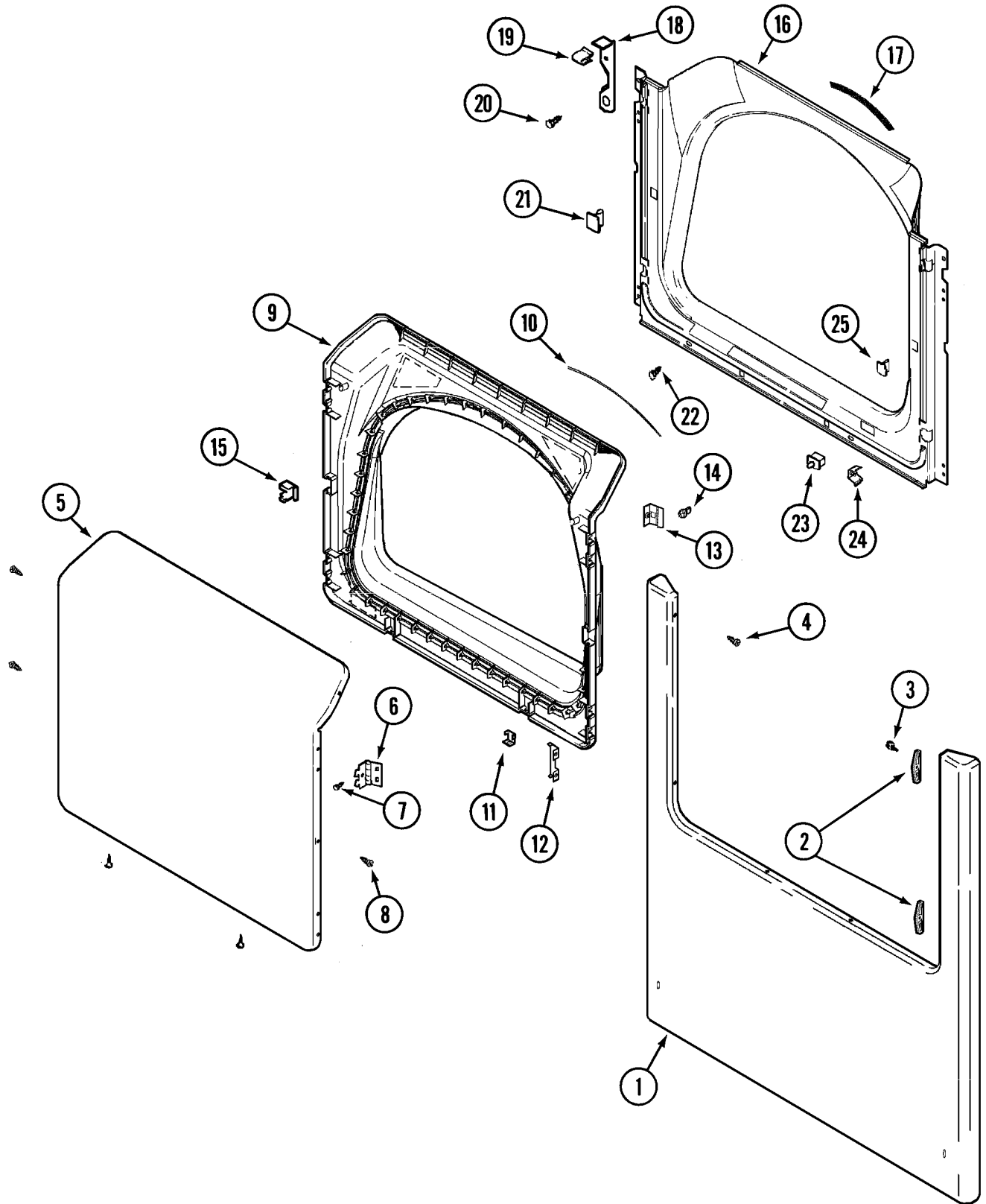
Section: DOOR (UPPER)

No.	Part No.	Description	Series	Qty
1	33002079	DOOR, OUTER (WHT)	10	1
2	22002063	SCREW #8-18AB WAFER HD	10	8
3	33002017	HINGE, DOOR	10	2
4	22002062	SCREW Note: SCREW, HINGE	10	4
5	33002020	DOOR, INNER (WHT) Note: DOOR, INNER (WHT)	10	1
6	33002094	SEAL, DOOR	10	1
7	22002038	CLIP, DOOR (DOUBLE)	10	4
8	33001763	PLUG, INNER DOOR	10	1
9	22002039	CLIP, DOOR (SINGLE) Note: CLIP, INNER DOOR	10	2
10	33001761	STRIKE, DOOR (MALE)	10	1
11	33001793	BRACKET, STRIKE	10	1
12	33002239	SWITCH, DOOR	10	1
13	33002081	PANEL, FRONT (WHT-UPR)	10	1
-	33001711	NAMEPLATE	10	1
-	33002051	SCREW, TORX Note: SCREW, FRONT PANEL	10	2
14	33001486	PANEL, FASTENER	10	4
15	33001791	CATCH, DOOR (W/PLUG)	10	1
16	33002025	TWIN SPEEDNUT	10	4
17	33001175	COVER, HINGE HOLE (WHT)	10	2
18	33002026	EXTENSION, TUMBLER FRONT	10	1
19	33001767	SEAL, SHROUD	10	1
20	33001855	SCREW (HEX HEAD) Note: SCREW, TUMBLER FRONT EXTENSION	10	2

*Color Code (-)=Not Shown #=Series, Serial Prefix or Run No., N=Not Available

Section: DOOR (LOWER)

Model: MLG15MNAGW



LD17-14

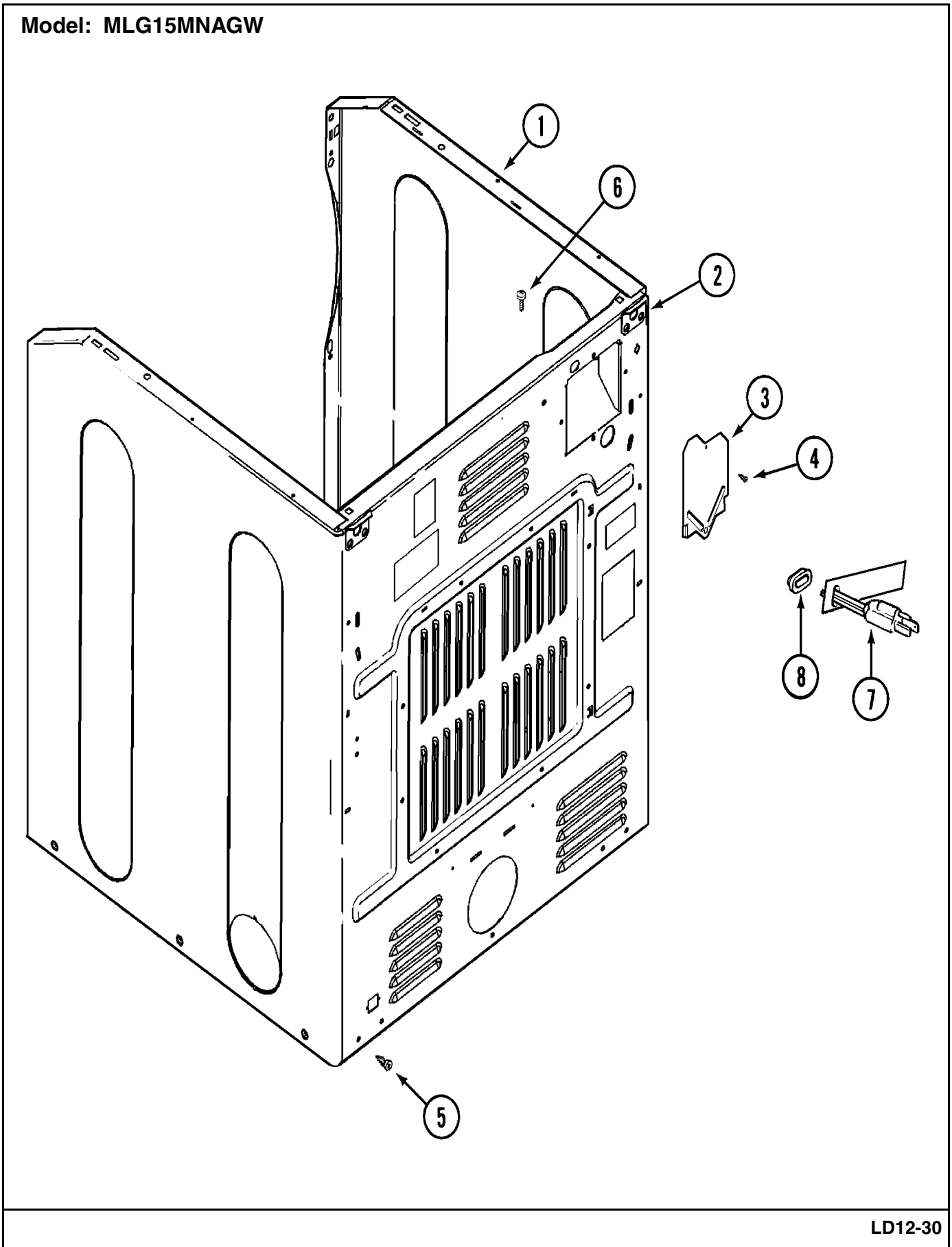
Section: DOOR (LOWER)

No.	Part No.	Description	Series	Qty
1	22002241	PANEL, FRONT (WHT)	10	1
2	33001764	COVER, HINGE HOLE (WHT)	10	2
3	33001846	SCREW Note: SCREW, HINGE HOLE COVER	10	2
4	22002243	SCREW Note: SCREW, HINGE	10	2
5	22001979	DOOR, OUTER (WHT-W/DAMPER)	10	1
6	33001759	HINGE, DOOR	10	2
7	22002062	SCREW	10	4
8	22002063	SCREW #8-18AB WAFER HD	10	8
9	33001750	DOOR, INNER/ W SEAL (WHT)	10	1
10	33002094	SEAL, DOOR	10	1
11	22002039	CLIP, DOOR (SINGLE) Note: CLIP, INNER DOOR	10	2
12	22002038	CLIP, DOOR (DOUBLE)	10	4
13	33001793	BRACKET, STRIKE	10	1
14	33001761	STRIKE, DOOR (MALE)	10	1
15	33001763	PLUG, INNER DOOR	10	1
16	33001778	SHROUD (WHT)	10	1
17	33001767	SEAL, SHROUD	10	1
18	22002991	KIT, ACCESS COVER HOOK	10	1
19	33002037	FASTENER, ACCESS COVER HOOK	10	2
20	22001995	SCREW Note: SCREW, TUMBLER FRONT	10	10
21	33001791	CATCH, DOOR (W/PLUG)	10	1
22	33001768	SCREW, SHROUD	10	2
23	33002239	SWITCH, DOOR	10	1
24	33001760	BRACKET, HINGE	10	4
25	304578	CATCH, DOOR (FEMALE)	10	1

*Color Code (-)=Not Shown #=Series, Serial Prefix or Run No., N=Not Available

Section: CABINET-REAR

Model: MLG15MNAGW



LD12-30

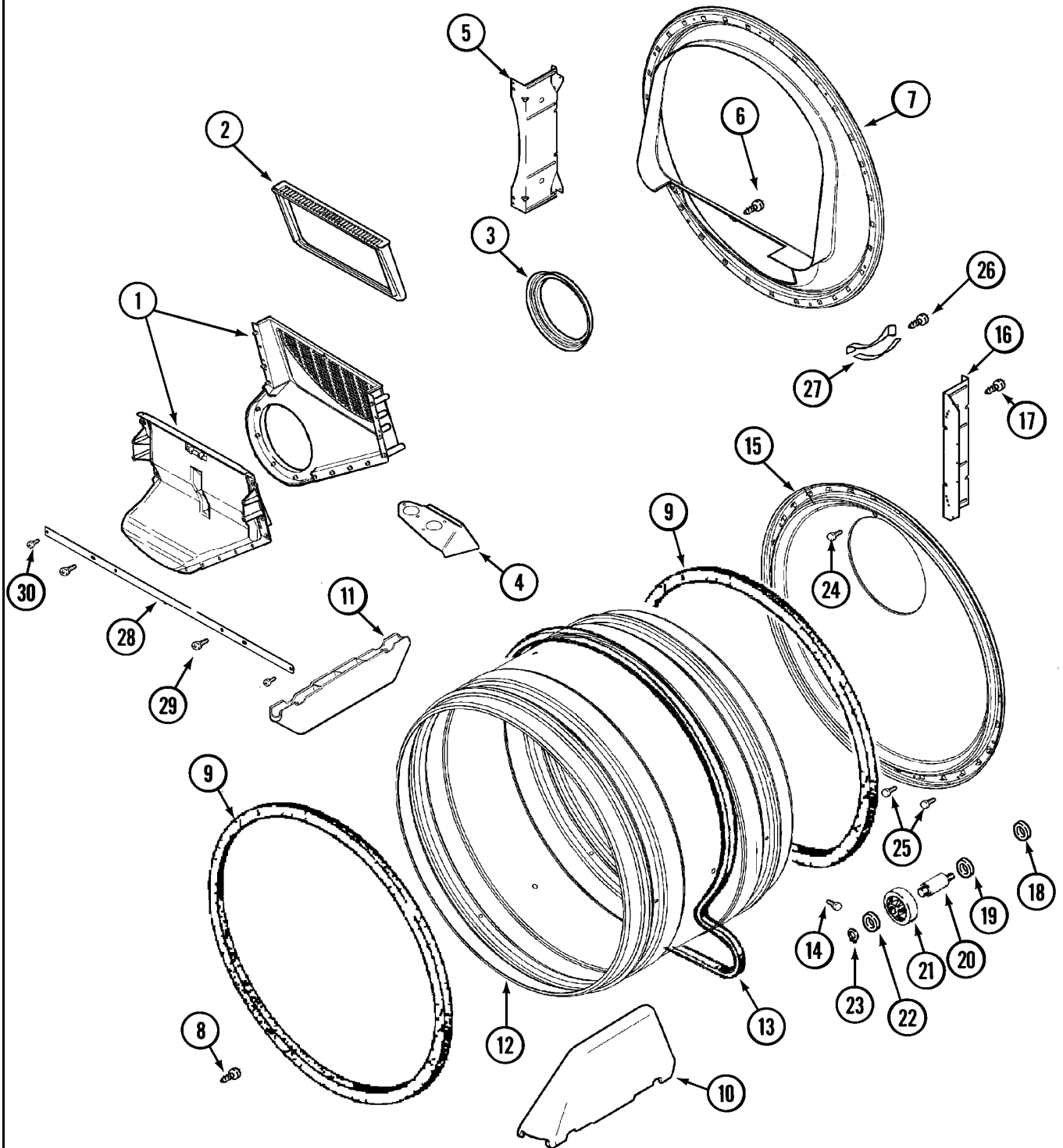
Section: CABINET-REAR

No.	Part No.	Description	Series	Qty
1	33001843	CABINET (WHT) Note: CABINET (WHT-LWR)	10	1
-	N 215950	PLUG, HOLE Note: PLUG, HOLE (LWR)	10	1
1	33002000	CABINET (WHT) Note: (WHT-UPR)	10	1
2	N 33001827	BRACKET, CABINET HINGE Note: BRACKET, CABINET HINGE (LWR)	10	2
3	33001795	COVER, TERMINAL BLOCK	10	2
4	22001995	SCREW Note: SCREW, TERMINAL COVER	10	2
5	22001995	SCREW Note: SCREW, CABINET BACK	10	4
6	210186	SCREW, GROUND WIRE TO BASE--NA Note: SCREW, GROUND WIRE	10	2
7	33001819	CORD, POWER (AS WRAPPED) Note: CORD, POWER	10	2
8	216183	GROMMET, CORD EXPORT Note: GROMMET, CORD	10	2

*Color Code (-)=Not Shown #=Series, Serial Prefix or Run No., N=Not Available

Section: TUMBLER

Model: MLG15MNAGW



LD13-32

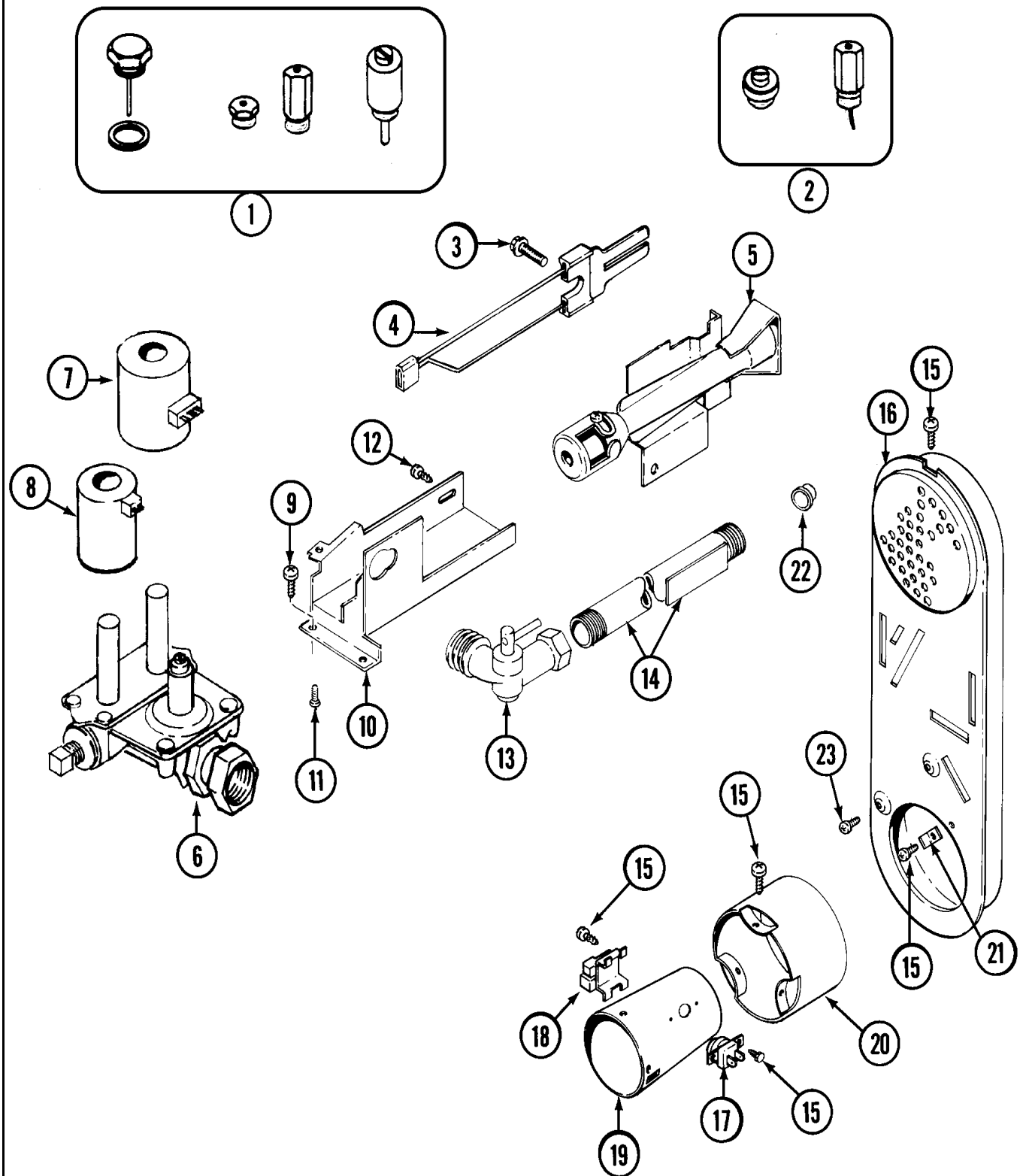
Section: TUMBLER

No.	Part No.	Description	Series	Qty
1	33001799	OUTLET DUCT ASSEMBLY	10	2
2	33001804	FILTER, LINT	10	2
3	33002082	SEAL, BLOWER Note: SEAL, BLOWER (UPR)	10	1
3	33001758	SEAL, BLOWER Note: SEAL, BLOWER (LWR)	10	1
5 N	33001828	SUPPORT, TUMBLER FRONT	10	4
6 N	312311	SCREW---NA Note: SCREW, OUTLET DUCT	10	2
7	33001802	FRONT, TUMBLER (W/SEAL)	10	2
8	33001855	SCREW (HEX HEAD) Note: SCREW, OUTLET DUCT	10	8
9	33001807	SEAL, TUMBLER	10	4
10	33002032	BAFFLE (TALL)	10	4
11	33001755	BAFFLE (SHORT)	10	2
12	33001794	TUMBLER	10	2
13	33001777	BELT, TUMBLER	10	2
14	33001788	SCREW, BAFFLE	10	12
15	33001801	BACK, TUMBLER (W/SEAL)	10	2
16 N	33001832	SUPPORT, BACK	10	4
17	22001995	SCREW Note: SCREW, TUMBLER BACK	10	8
18	33001443	NUT, HEX (ROLLER SHAFT)	10	4
19	313347	WASHER, SPRING (ROLLER SHAFT)	10	4
20	312948	SHAFT, TUMBLER ROLLER	10	4
21	303373	BEARING & ROLLER ASSEMBLY Note: ROLLER (W/BEARING)	10	4
22	312535	WASHER, ROLLER SHAFT	10	4
23	410233	RING, RETAINING	10	4
24	210932	SCREW, #8 X 9/16 CTSK Note: SCREW, INLET DUCT	10	2
25	22001996	SCREW Note: SCREW, INLET DUCT	10	4
26	210720	RIVET	10	8
27	306508	TUMBLER BEARING KIT	10	8
28	33002039	BRACE, TUMBLER FRONT Note: BRACE, TUMBLER FRONT (UPR)	10	1
29	33001768	SCREW, SHROUD Note: SCREW, TUMBLER BRACE (UPR)	10	2
30	22001995	SCREW Note: SCREW, TUMBLER BRACE (UPR)	10	2

*Color Code (-)=Not Shown #=Series, Serial Prefix or Run No., N=Not Available

Section: GAS VALVE

Model: MLG15MNAGW



CD14-1

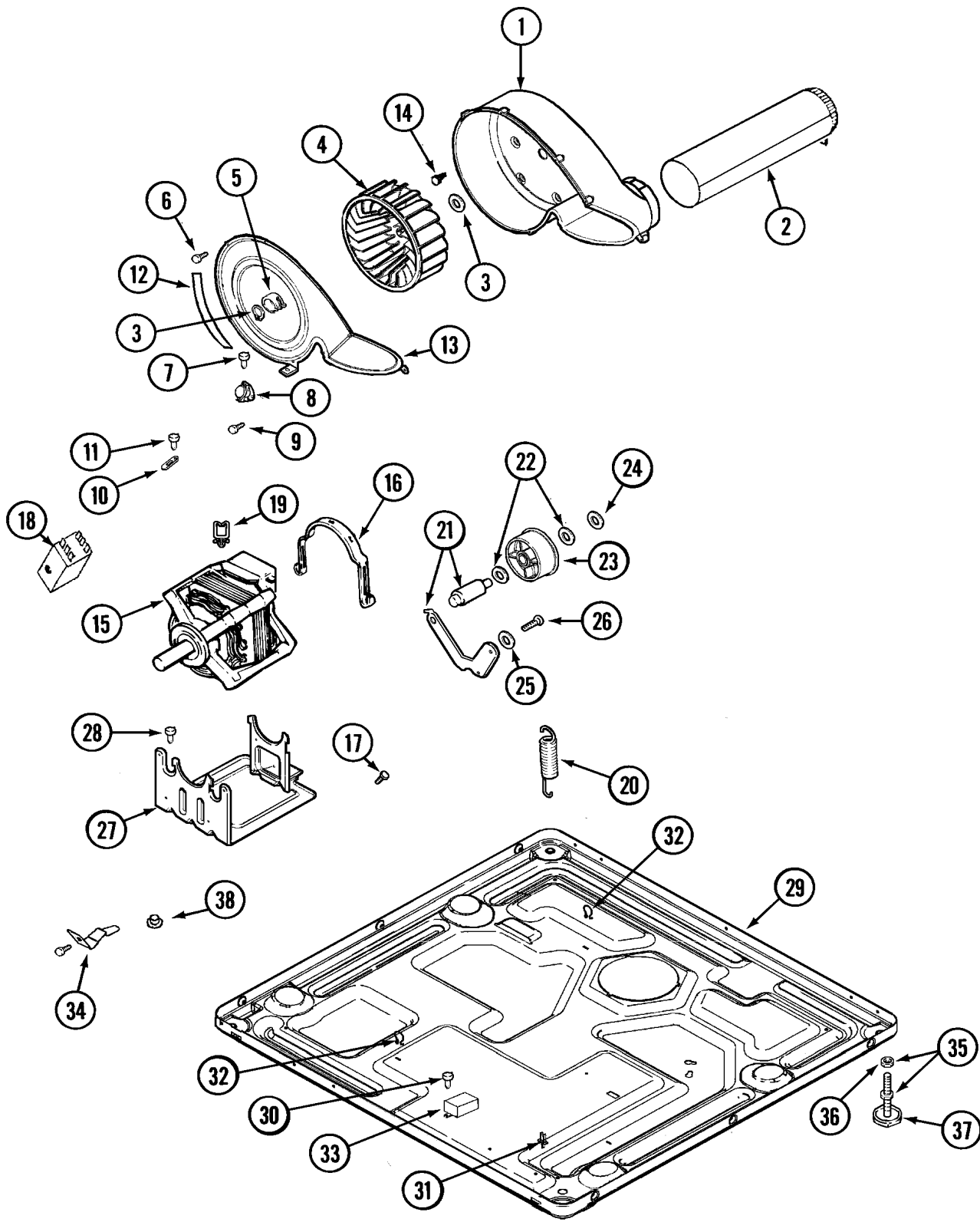
Section: GAS VALVE

No.	Part No.	Description	Series	Qty
1	308378	CONVERSION KIT (NATURAL TO LP)	10	2
2	308377	CONVERSION KIT (LP TO NATURAL)	10	2
3	304971	SCREW Note: SCREW, IGNITER	10	2
4	304970	IGNITER ASSY, GAS VALVE	10	2
5	33001247	BURNER ASSY.	10	2
6	307927	GAS VALVE - 120V-50HZ Note: VALVE, GAS (240V-50HZ)	10	2
-	33002056	PLUG, HOLE	10	2
7	306106	COIL, HOLDING & BOOSTER	10	2
8	306105	COIL, SECONDARY	10	2
9 N	313561	SCREW----NA Note: SCREW, GAS VALVE	10	4
10 N	33001834	BRACKET, GAS VALVE----NA Note: BRACKET, GAS VALVE (LWR)	10	1
10 N	33002055	BRACKET, GAS VALVE----NA Note: BRACKET, GAS VALVE (UPR)	10	1
11	314568	SCREW-GAS VALVE TO BRACKET Note: SCREW, GAS VALVE	10	2
11	314082	SCREW Note: SCREW, GAS VALVE	10	2
12	22001995	SCREW Note: SCREW, GAS VALVE	10	2
13	306086	ANGLE SHUT OFF FOR GAS VALV Note: VALVE, ANGLE GAS	10	2
14	33001735	PIPE & BRACKET ASSY.	10	2
15	211294	SCREW Note: SCREW, DUCT	10	14
16	33001810	DUCT ASSY., INLET (GAS) Note: INLET DUCT ASSEMBLY	10	2
17	303395	THERMOSTAT, HI-LIMIT (GAS)	10	2
18	303377	SENSOR, RADIANT	10	2
19	33001946	CONE ASSY., COMBUSTION	10	2
20 N	304953	EXTENSION F/COMBUSTION CONE Note: EXTENTION, COMBUSTION CONE	10	2
21	312890	RETAINER, HEATER CHAMBER	10	2
22	33001693	CAP, GAS PIPE	10	2
23	22001996	SCREW Note: SCREW, DUCT	10	8

*Color Code (-)=Not Shown #=Series, Serial Prefix or Run No., N=Not Available

Section: MOTOR DRIVE

Model: MLG15MNAGW



LD14-26

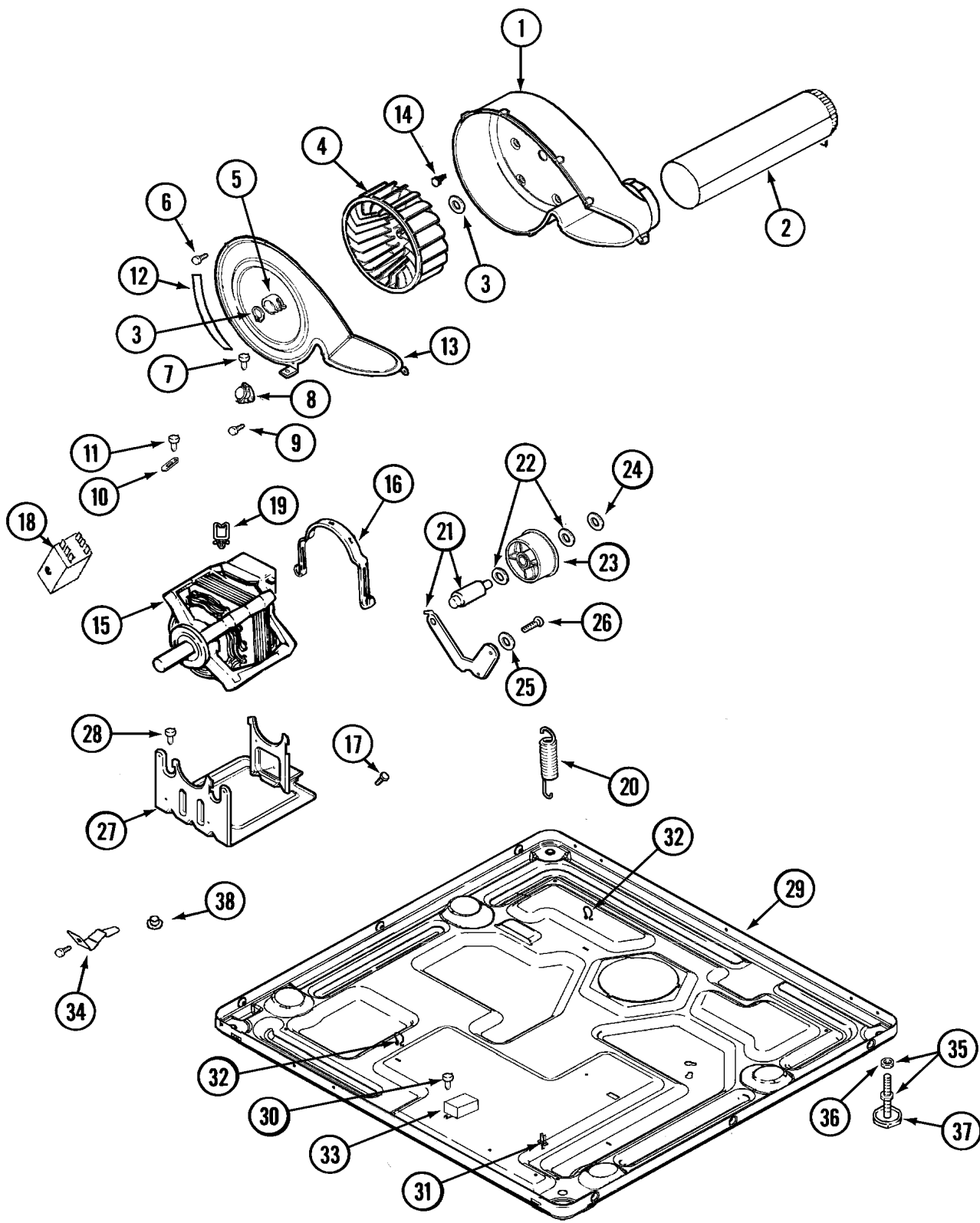
Section: MOTOR DRIVE

No.	Part No.	Description	Series	Qty
1	33001789	HOUSING, BLOWER	10	2
-	22001995	SCREW Note: SCREW, EXHAUST DUCT ASSEMBLY	10	2
2	33001800	DUCT ASSY., EXHAUST	10	2
3	410233	RING, RETAINING	10	4
4	33001790	WHEEL, BLOWER	10	2
5	312967	CLAMP, BLOWER HOUSING	10	2
6	33001855	SCREW (HEX HEAD) Note: SCREW, HOUSING COVER	10	16
7	N 313561	SCREW----NA Note: SCREW, HOUSING COVER	10	2
8	303392	CYCLING THERMOSTAT 140 DEG. Note: THERMOSTAT, CYCLING	10	2
-	33001306	HARNESS, WIRE Note: WIRE HARNESS, THERMOSTAT	10	2
8	306967	THERMOSTAT, MULTI-TEMP Note: THERMOSTAT, MULTI-TEMP.	10	2
9	22001996	SCREW Note: SCREW, THERMOSTAT	10	8
10	33001762	FUSE, THERMAL (W' BRACKET)	10	2
11	314848	SCREW Note: SCREW, THERMAL CUT-OFF	10	2
12	N 33001772	SEAL, BLOWER COVER	10	2
13	33001796	COVER, BLOWER HOUSING	10	2
14	314818	SCREW Note: SCREW, BLOWER HOUSING	10	8
15	33001945	MOTOR	10	2
15	33002463	MOTOR (230V 50HZ)	15	1
16	015825	CLIP, MOTOR	10	4
17	910343	SCREW, GROUND WIRE	10	4
18	N 33002451	SWITCH, MOTOR	10	2
19	33002040	CLIP, WIRE HARNESS	10	2
20	33001754	SPRING, IDLER	10	2
20	33002460	SPRING, IDLER	14	1
-	33002461	PLUG FOR SPRING	14	1
-	33002157	GROMMET	10	1
21	33001840	IDLER ARM & SHAFT ASSY.	10	2
22	312527	WASHER, IDLER SHAFT (QTY-1)	10	4
23	33001783	BEARING, IDLER ASSEMBLY	10	2
24	312958	RETAINING RING, IDLER SHAFT	10	2
25	315772	SLEEVE, IDLER ARM	10	2
26	014874	SCREW	10	2
27	33001752	SUPPORT, MOTOR	10	2
-	N 313561	SCREW----NA	14	1
27	33002466	SUPPORT, MOTOR	14	1
28	N 313561	SCREW----NA Note: SCREW, MOTOR SUPPORT	10	4
29	33001845	BASE Note: BASE (LWR)	10	1
29	33002041	BASE (UPR)	10	1
-	314568	SCREW-GAS VALVE TO BRACKET Note: SCREW, HARNESS PROTECTOR (UPR)	10	2
-	33002048	FASTENER, PUSH Note: FASTENER, PUSH (UPR)	10	2
-	33002049	STRIP, GROMMET Note: STRIP, GROMMET (UPR)	10	2
-	33002050	PROTECTOR, HARNESS	10	2
29	N 33002465	BASE, (LWR)----NA	14	1
29	33002467	BASE (UPR)	14	1
-	313559	SCREW Note: SCREW, TRANSFORMER	10	2
30	211294	SCREW Note: SCREW, TRANSFORMER	10	6
31	315471	RETAINER, WIRE	10	1
32	410490	SPRING, WIRE HARNESS	10	2
33	33001948	TRANSFORMER	10	2
34	33002042	BRACKET (LT) Note: BRACKET (LT-UPR)	10	1
-	310632	SCREW Note: SCREW, FRONT PANEL CLIP (LWR)	10	2
-	22002244	CLIP, GROUNDING Note: CLIP, GROUNDING (LWR)	10	1
-	22001995	SCREW Note: SCREW, BRACKET (UPR)	10	2
34	33002043	BRACKET (RT) Note: (RT-UPR)	10	1
35	22001915	ADJUSTABLE LEG & NUT Note: ADJUSTABLE LEG & NUT (LWR)	10	4

*Color Code (-)=Not Shown #=Series, Serial Prefix or Run No., N=Not Available

Section: MOTOR DRIVE

Model: MLG15MNAGW



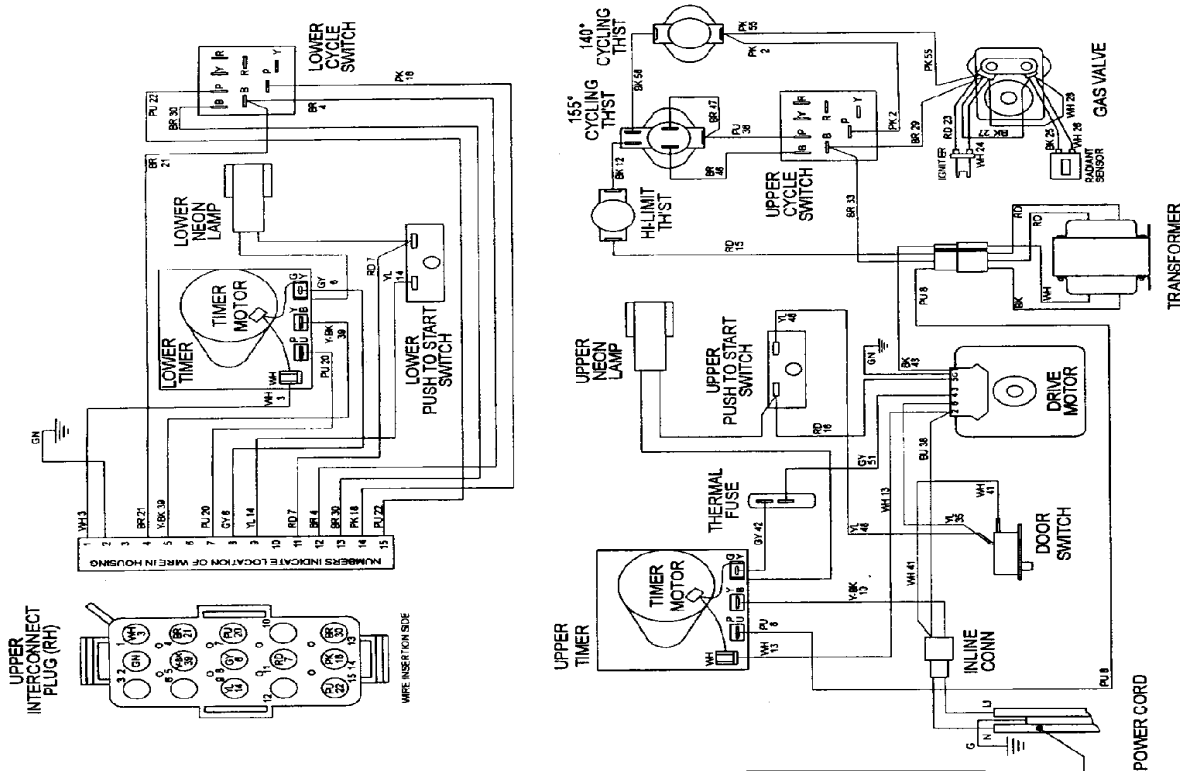
Section: MOTOR DRIVE

No.	Part No.	Description	Series	Qty
36	052740	NUT Note: NUT, LEG (LWR)	10	4
37	210684	FOOT, RUBBER Note: FOOT, RUBBER (LWR)	10	4
38	33002044	GUIDE Note: GUIDE (UPR)	10	4

*Color Code (-)=Not Shown #=Series, Serial Prefix or Run No., N=Not Available

Section: WIRING INFORMATION (GAS)

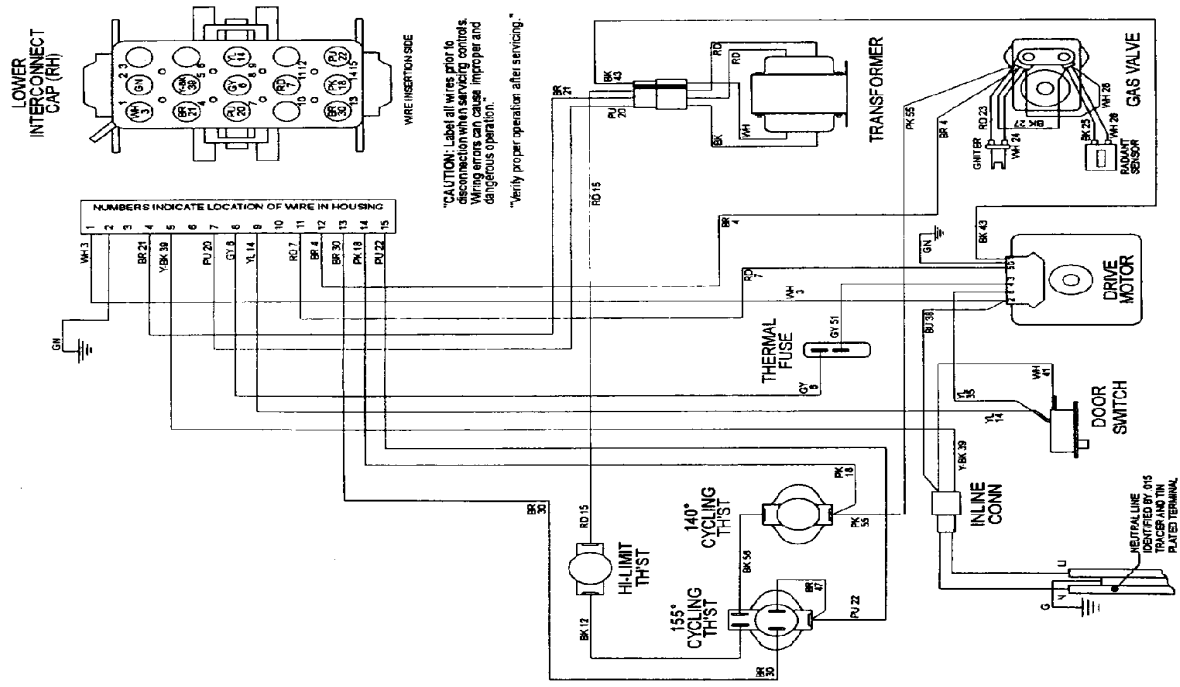
Model: MLG15MNAGW



UPPER DRYER WIRING CONNECTION DIAGRAM

TIMER INFORMATION		
CAM NO.	CIRCUIT	FUNCTION
1	Y/BK-GY	MOTOR
2	Y/BK-PU	HEATER

115 MIN OFF 3 MIN COOL PERIOD



LOWER DRYER WIRING CONNECTION DIAGRAM

CAUTION: Label all wires prior to disconnection when servicing controls. Wiring errors can cause improper and dangerous operation.
Verify proper operation after servicing.

Section: WIRING INFORMATION (GAS)

No.	Part No.	Description	Series Qty
-	N 15002380	WIRING INFORMATION	10 1

*Color Code (-)=Not Shown #=Series, Serial Prefix or Run No., N=Not Available

