

# DRYER

## Repair Parts List

MODEL NUMBER  
MLG15PDAXW

When requesting service or ordering parts, always provide the following information:

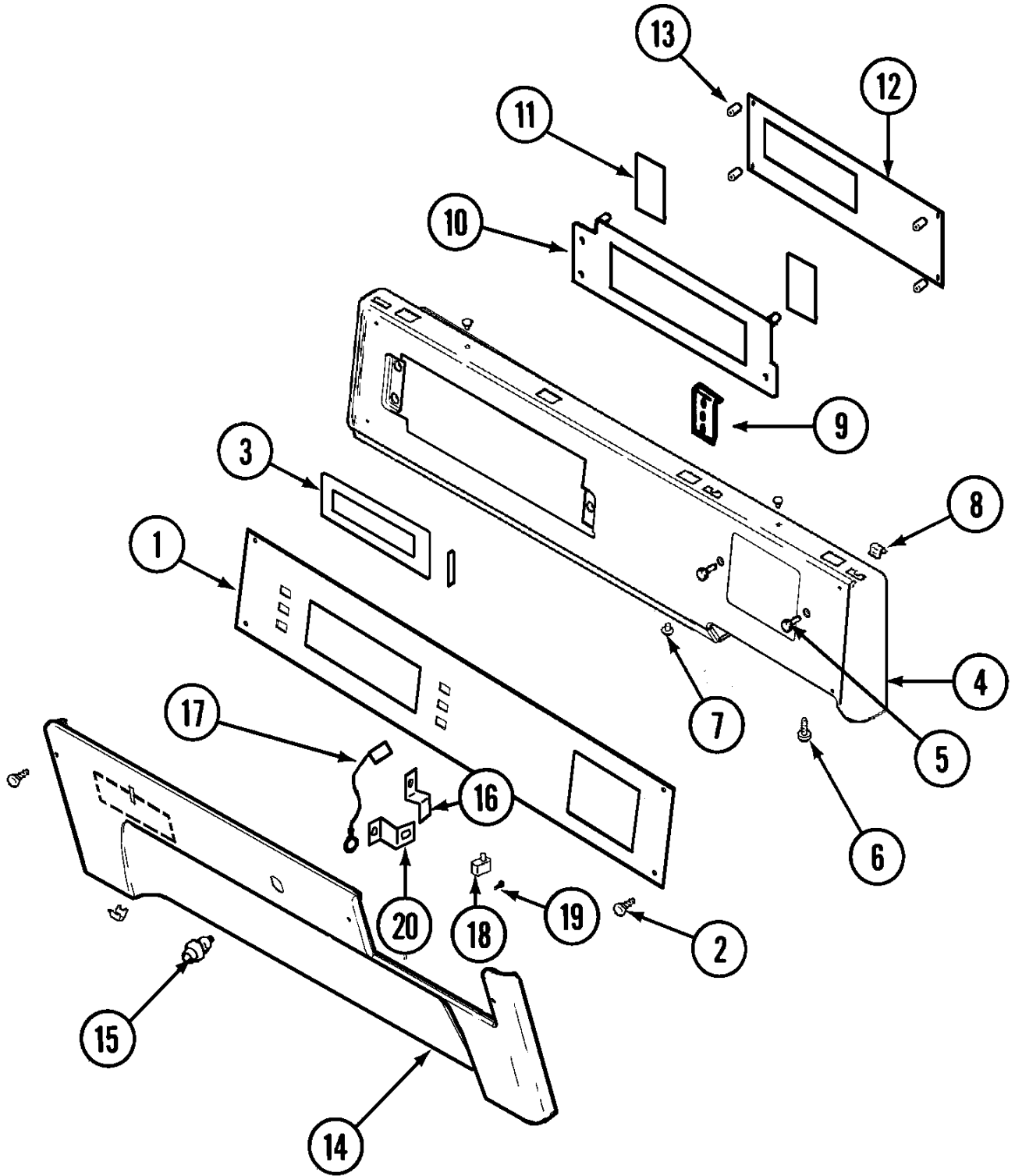
- Product Type
- Part Number
- Model Number
- Part Description

**MAYTAG**®

©2005 Maytag Services

Section: CONTROL PANEL (UPPER)

Model: MLG15PDAXW



LD11-77

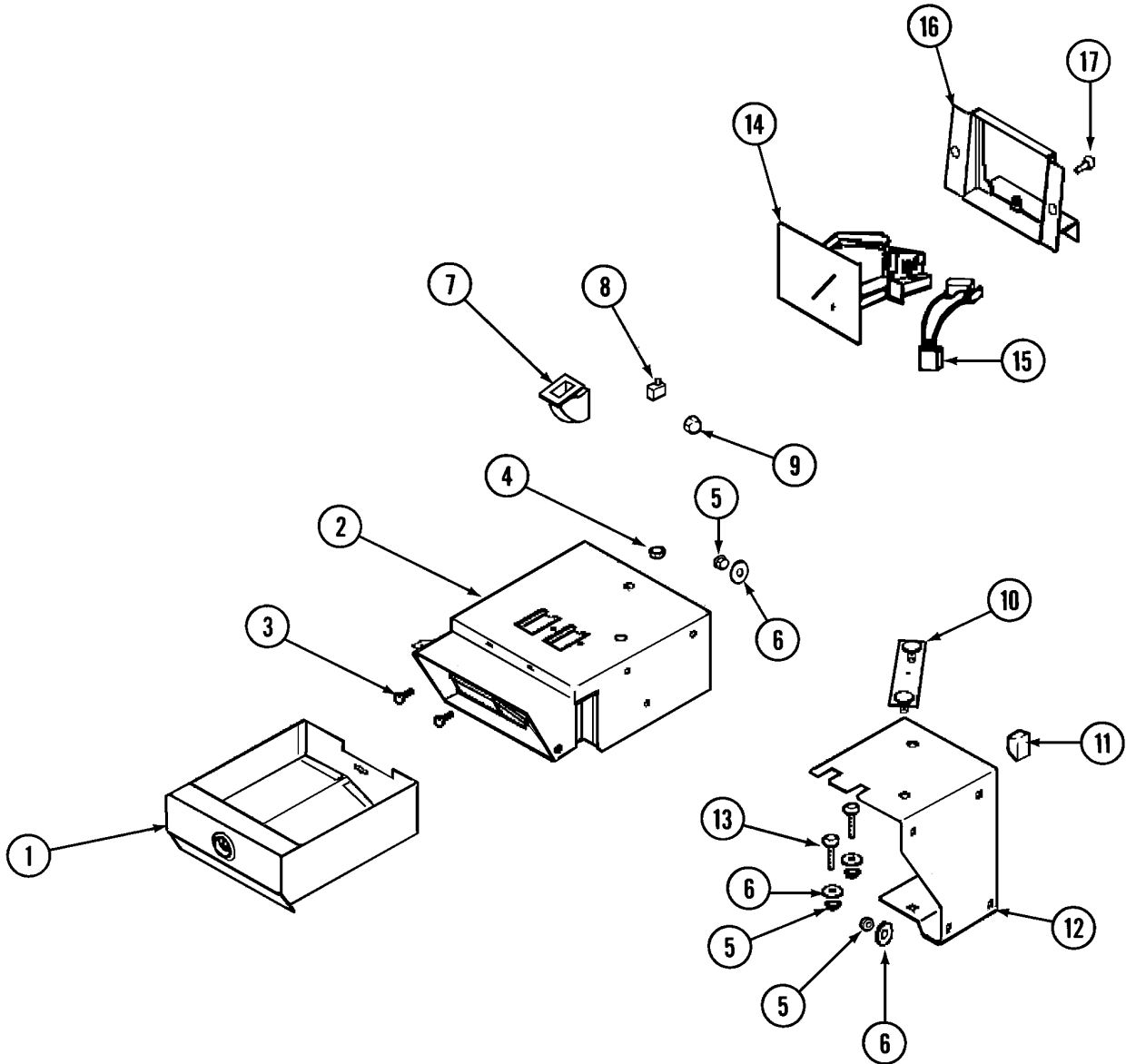
## Section: CONTROL PANEL (UPPER)

| No. | Part No. | Description                                       | Series | Qty |
|-----|----------|---|--------|-----|
| 1   | 33001974 | OVERLAY, CONTROL PANEL                            | 10     | 1   |
| 2   | 215506   | SCREW, TORX Note: SCREW, CONTROL PANEL OVERLAY    | 10     | 4   |
| 3   | 33001209 | COVER, DISPLAY (LOWER) Note: COVER, DISPLAY       | 10     | 1   |
| -   | 33002003 | FASTENER CLIP, CONTROL PANEL                      | 10     | 2   |
| 4   | 33001975 | PANEL, CONTROL (WHT)                              | 10     | 1   |
| 5   | 22002062 | SCREW Note: SCREW, CONTROL MOUNTING               | 10     | 3   |
| 5   | 910186   | SCREW Note: SCREW, CONTROL PANEL                  | 10     | 2   |
| 6   | 215506   | SCREW, TORX Note: SCREW, CONTROL PANEL (TORX)     | 10     | 3   |
| 7   | 33001132 | PLUG, SIGHT HOLE (WHT)                            | 10     | 4   |
| 8   | 33001977 | FASTENER, CONTROL PANEL                           | 10     | 3   |
| 9   | 33001156 | BUTTON Note: BUTTON, CONTROL                      | 10     | 2   |
| 10  | 33001201 | PLATE, CONTROL MOUNTING                           | 10     | 1   |
| 11  | 33001200 | SWITCH, MEMBRANE                                  | 10     | 2   |
| 12  | 33001747 | BOARD ASSY., CONTROL Note: CIRCUIT BOARD ASSEMBLY | 10     | 1   |
| -   | 912077   | LOCKNUT Note: LOCKNUT, WASHER                     | 10     | 4   |
| 13  | 33001204 | STANDOFF, CIRCUIT BOARD                           | 10     | 4   |
| -   | 33001980 | CLIP, ACCESS PANEL Note: FASTENER, ACCESS PANEL   | 10     | 2   |
| -   | 33002004 | CLIP, FASTENER                                    | 10     | 2   |
| -   | 215506   | SCREW, TORX Note: SCREW, ACCESS PANEL (TORX)      | 10     | 3   |
| 14  | 33001978 | PANEL, ACCESS (WHT)                               | 10     | 1   |
| 15  | 206081   | LOCK FOR ACCESS DOOR Note: LOCK, ACCESS DOOR      | 10     | 1   |
| 16  | 213750   | LOCKING CAM                                       | 10     | 1   |
| 17  | 33001981 | WIRE, GROUND                                      | 10     | 1   |
| 18  | 33002117 | SWITCH, SENSOR                                    | 10     | 1   |
| 19  | 912012   | SCREW   | 10     | 2   |
| 20  | 33001982 | BRACKET, SWITCH MOUNTING                          | 10     | 1   |
| -   | 33002063 | WIRE HARNESS, MAIN (UPR)                          | 10     | 1   |

\*Color Code (-)=Not Shown #=Series, Serial Prefix or Run No., N=Not Available

Section: CONTROL CENTER (UPPER)

Model: MLG15PDAXW



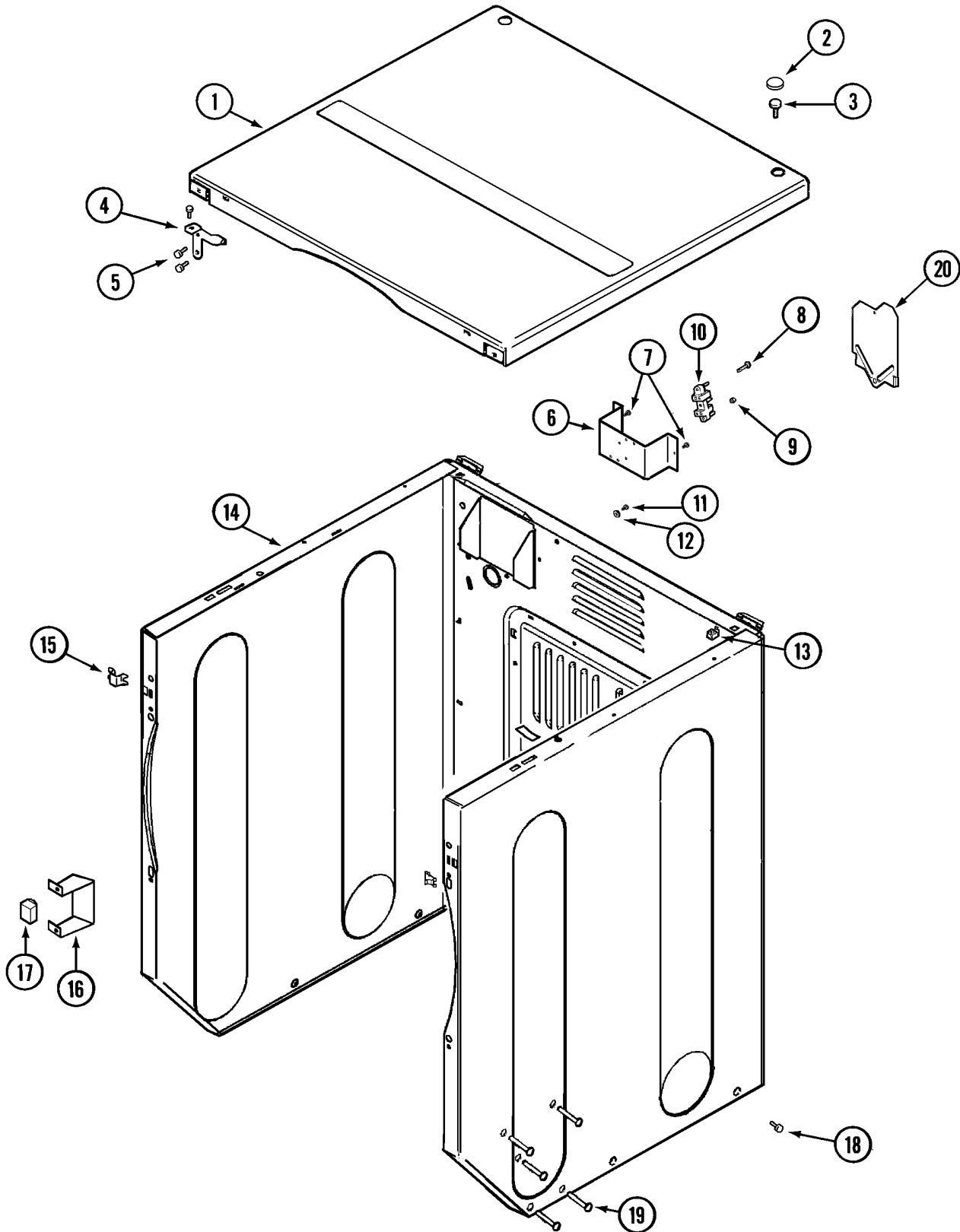
## Section: CONTROL CENTER (UPPER)

| No. | Part No. | Description  | Series | Qty |
|-----|----------|--|--------|-----|
| 1   | 33001983 | BOX, COIN (WHT)  | 10     | 1   |
| 2   | 33001986 | VAULT, COIN (WHT) Note: VAULT, COIN (WHT)                    | 10     | 1   |
| 3   | 212707   | SCREW Note: SCREW, COIN DROP MOUNTING BRK.                   | 10     | 2   |
| 4   | 052740   | NUT Note: NUT, COIN VAULT                                    | 10     | 2   |
| 5   | 052734   | NUT Note: NUT, CARRAGE BOLTS & BRACKET                       | 10     | 7   |
| -   | 312535   | WASHER, ROLLER SHAFT Note: WASHER, VAULT MOUNTING BRK.       | 10     | 1   |
| 6   | N 211629 | WASHER Note: WASHER, VAULT MOUNTING BRK.                     | 10     | 7   |
| 7   | 314635   | COIN CHUTE Note: CHUTE, COIN                                 | 10     | 2   |
| 8   | 33001250 | SWITCH, SENSOR Note: SWITCH, VAULT                           | 10     | 1   |
| 9   | N 211782 | CAGE NUT Note: NUT, CAGE                                     | 10     | 1   |
| 10  | 22001810 | STRAP, MOUNTING  | 10     | 1   |
| 11  | 33001989 | RETAINER, WIRE   | 10     | 1   |
| 12  | 33001990 | BRACKET, MOUNTING VAULT                                      | 10     | 1   |
| 13  | 33001991 | BOLT, CARRIAGE   | 10     | 2   |
| -   | 216200   | BUTTON, RETURN Note: BUTTON, RETURN                          | 10     | 1   |
| -   | 22002144 | SINGLE FACEPLATE   | 10     | 1   |
| -   | 22003815 | DUAL FACEPLATE   | 10     | 1   |
| 14  | 22001875 | COIN DROP ASY (CAN)  | 10     | 1   |
| 14  | 22002535 | COIN DROP ASY-DUAL (CAN)                                     | 12     | 1   |
| -   | 314665   | SCREW Note: SCREW, OPTIC SWITCH                              | 10     | 1   |
| 15  | 33001985 | SWITCH, OPTIC  | 12     | 2   |
| 15  | 33001985 | SWITCH, OPTIC  | 10     | 1   |
| -   | 314665   | SCREW  | 12     | 2   |
| 16  | 33001992 | BRACKET, COIN DROP MOUNT.(WHT) Note: BRACKET, MOUNTING (WHT) | 10     | 1   |
| -   | 910181   | LOCK WASHER Note: WASHER, LOCK                               | 10     | 2   |
| 17  | N 313561 | SCREW----NA Note: SCREW, COIN DROP BRACKET                   | 10     | 2   |

\*Color Code (-)=Not Shown #=Series, Serial Prefix or Run No., N=Not Available

Section: CABINET-FRONT (UPPER)

Model: MLG15PDAXW



LD12-71

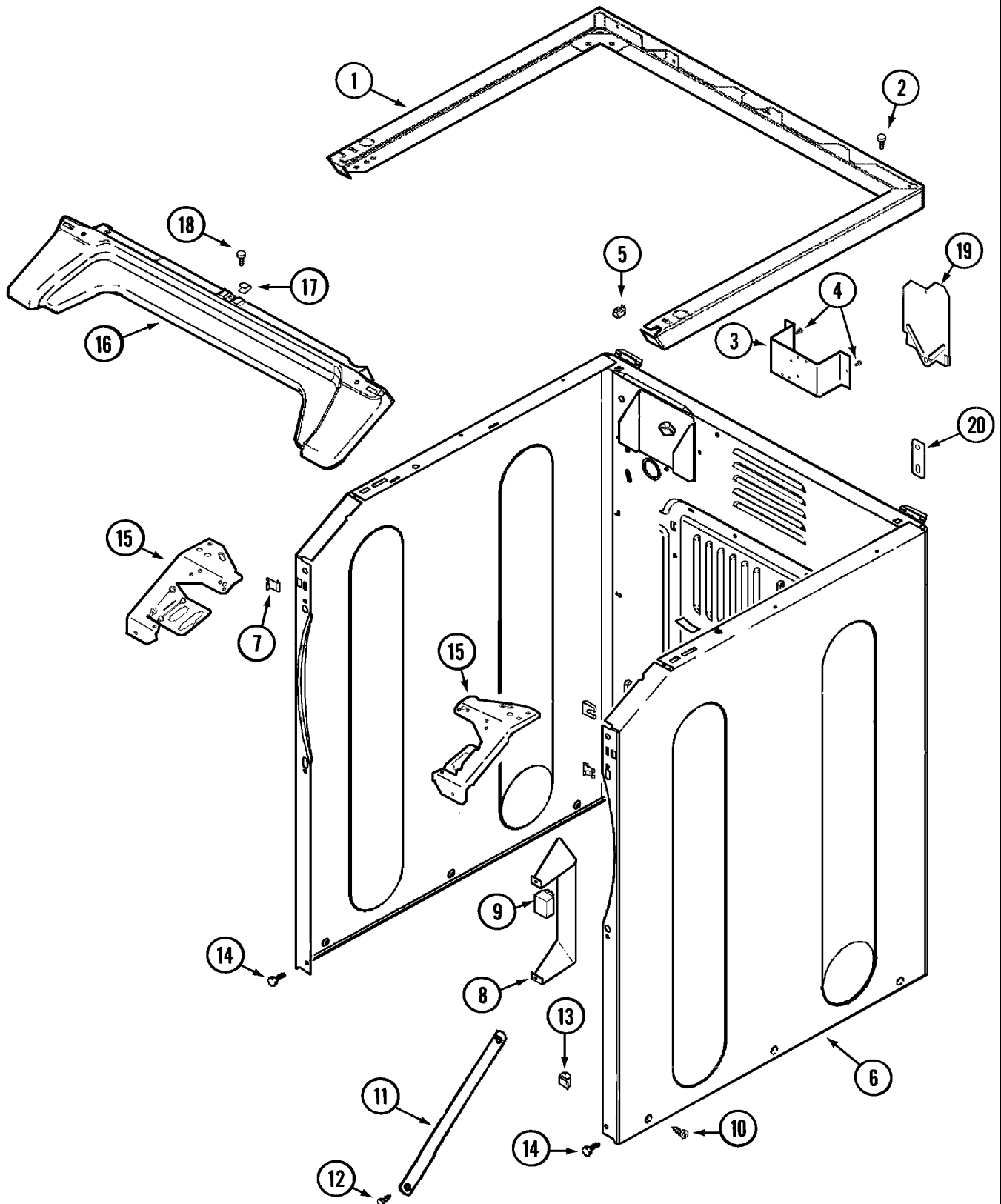
## Section: CABINET-FRONT (UPPER)

| No. | Part No.   | Description  | Series | Qty |
|-----|------------|--|--------|-----|
| 1   | 33002124   | COVER, TOP (WHT)                                     | 10     | 1   |
| 2   | 33001997   | PLUG, HOLE   | 10     | 2   |
| 3   | 22001883   | SCREW Note: SCREW, TOP COVER                         | 10     | 2   |
| 4   | 33001999   | BRACKET, TOP COVER (RT) Note: (RT)                   | 10     | 1   |
| 4   | 33001998   | BRACKET, TOP COVER (LT)                              | 10     | 1   |
| 5   | 22001995   | SCREW Note: SCREW, TOP COVER BRACKET                 | 10     | 6   |
| 6   | N 33001826 | BRACKET, TERMINAL BLOCK----NA                        | 10     | 1   |
| 7   | 22001995   | SCREW Note: SCREW, TERMINAL BLOCK BRACKET            | 10     | 2   |
| 8   | 312209     | SCREW, #10-24 X 3/4 INCH Note: SCREW, TERMINAL BLOCK | 10     | 2   |
| 9   | 311484     | NUT, TERMINAL BLOCK                                  | 10     | 4   |
| 10  | 33001244   | BLOCK, TERMINAL                                      | 10     | 1   |
| 11  | N 33001245 | SCREW----NA Note: SCREW, GROUND LUG                  | 10     | 2   |
| 12  | 310933     | FASTENER Note: FASTENER, GROUND LUG                  | 10     | 2   |
| 13  | 22001502   | FASTENER, U-NUT                                      | 10     | 2   |
| 14  | 33002000   | CABINET (WHT)  | 10     | 1   |
| 15  | 33001980   | CLIP, ACCESS PANEL                                   | 10     | 2   |
| -   | N 313561   | SCREW----NA Note: SCREW, RELAY BRACKET               | 10     | 2   |
| 16  | 33002002   | BRACKET, RELAY (UPR)                                 | 10     | 1   |
| -   | 310632     | SCREW Note: SCREW, RELAY BRACKET                     | 10     | 1   |
| -   | 251119     | SCREW Note: SCREW, RELAY                             | 10     | 1   |
| 17  | 206824     | RELAY, SPST 24VDC Note: RELAY                        | 10     | 1   |
| 18  | 213007     | SCREW, CABINET                                       | 10     | 6   |
| 19  | 33001991   | BOLT, CARRIAGE                                       | 10     | 5   |
| 20  | 33001795   | COVER, TERMINAL BLOCK                                | 10     | 1   |

\*Color Code (-)=Not Shown #=Series, Serial Prefix or Run No., N=Not Available

Section: CABINET-FRONT (LOWER)

Model: MLG15PDAXW



LD12-70



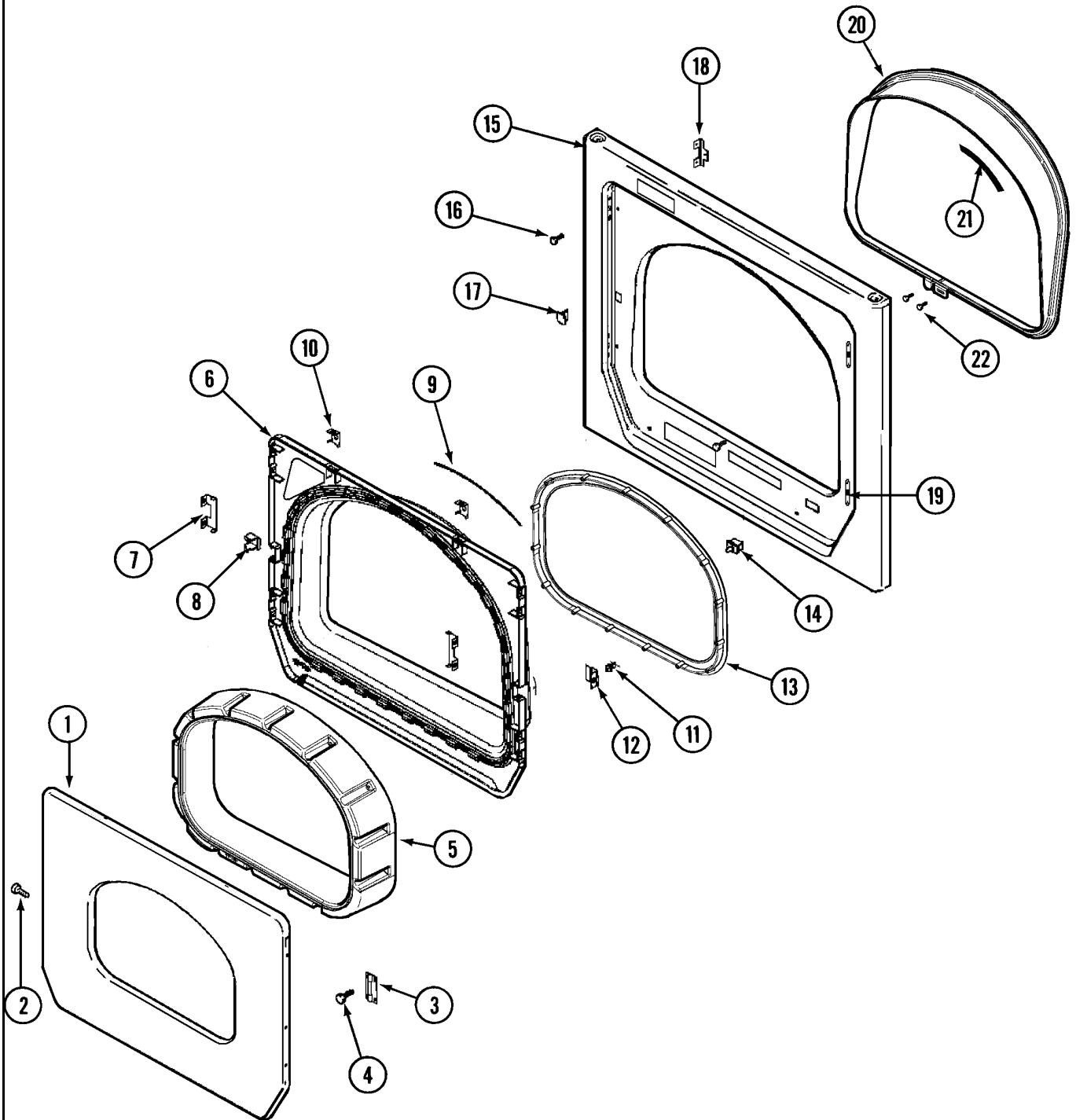
## Section: CABINET-FRONT (LOWER)

| No. | Part No.   | Description  | Series | Qty |
|-----|------------|--|--------|-----|
| 1   | 33002005   | SUPPORT (WHT)  | 10     | 1   |
| 2   | 22001883   | SCREW Note: SCREW, SUPPORT                               | 10     | 4   |
| 3   | N 33001826 | BRACKET, TERMINAL BLOCK----NA                            | 10     | 1   |
| 4   | 22001995   | SCREW Note: SCREW, TERMINAL BLOCK BRACKET                | 10     | 2   |
| 5   | 22001502   | FASTENER, U-NUT  | 10     | 2   |
| 6   | 22002548   | CABINET ASSY. (WHT)                                      | 10     | 1   |
| 6   | 22003639   | CABINET ASSY. (WHT AS PK)                                | 38     | 1   |
| 7   | 22002049   | CLIP Note: CLIP, FRONT PANEL                             | 10     | 2   |
| -   | 310632     | SCREW Note: SCREW, RELAY BRACKET                         | 10     | 1   |
| 8   | 314627     | RELAY BRACKET Note: BRACKET, RELAY                       | 10     | 1   |
| -   | N 313561   | SCREW----NA Note: SCREW, RELAY BRACKET                   | 10     | 2   |
| 9   | 206824     | RELAY, SPST 24VDC  | 10     | 1   |
| -   | 251119     | SCREW Note: SCREW, RELAY                                 | 10     | 1   |
| 10  | 213007     | SCREW, CABINET   | 10     | 6   |
| 11  | 22002259   | BRACE, CROSS   | 10     | 2   |
| 12  | 22001995   | SCREW Note: SCREW, CABINET                               | 10     | 2   |
| 13  | 310376     | CLIP, WIRE HARNESS                                       | 10     | 1   |
| 14  | 22001995   | SCREW Note: SCREW, CABINET                               | 10     | 2   |
| 15  | 33002010   | BRACKET, CORNER (RT) Note: (RT)                          | 10     | 1   |
| 15  | 33002009   | BRACKET, CORNER (LT)                                     | 10     | 1   |
| 16  | 33002011   | COVER, ACCESS (WHT) Note: (WHT)                          | 10     | 1   |
| 17  | 33002013   | FASTENER CLIP, ACCESS COVER Note: FASTENER, ACCESS COVER | 10     | 1   |
| 18  | 22001995   | SCREW Note: SCREW, ACCESS COVER                          | 10     | 1   |
| 19  | 33001795   | COVER, TERMINAL BLOCK                                    | 10     | 2   |
| -   | 22001995   | SCREW  | 10     | 4   |
| 20  | 33002060   | BRACKET, SECURITY  | 10     | 2   |
| -   | 33001989   | RETAINER, WIRE Note: RETAINER, WIRE HARNESS              | 10     | 2   |
| -   | 33002064   | WIRE HARNESS, MAIN (LWR)                                 | 10     | 1   |

\*Color Code (-)=Not Shown #=Series, Serial Prefix or Run No., N=Not Available

Section: DOOR (UPPER)

Model: MLG15PDAXW



LD17-15

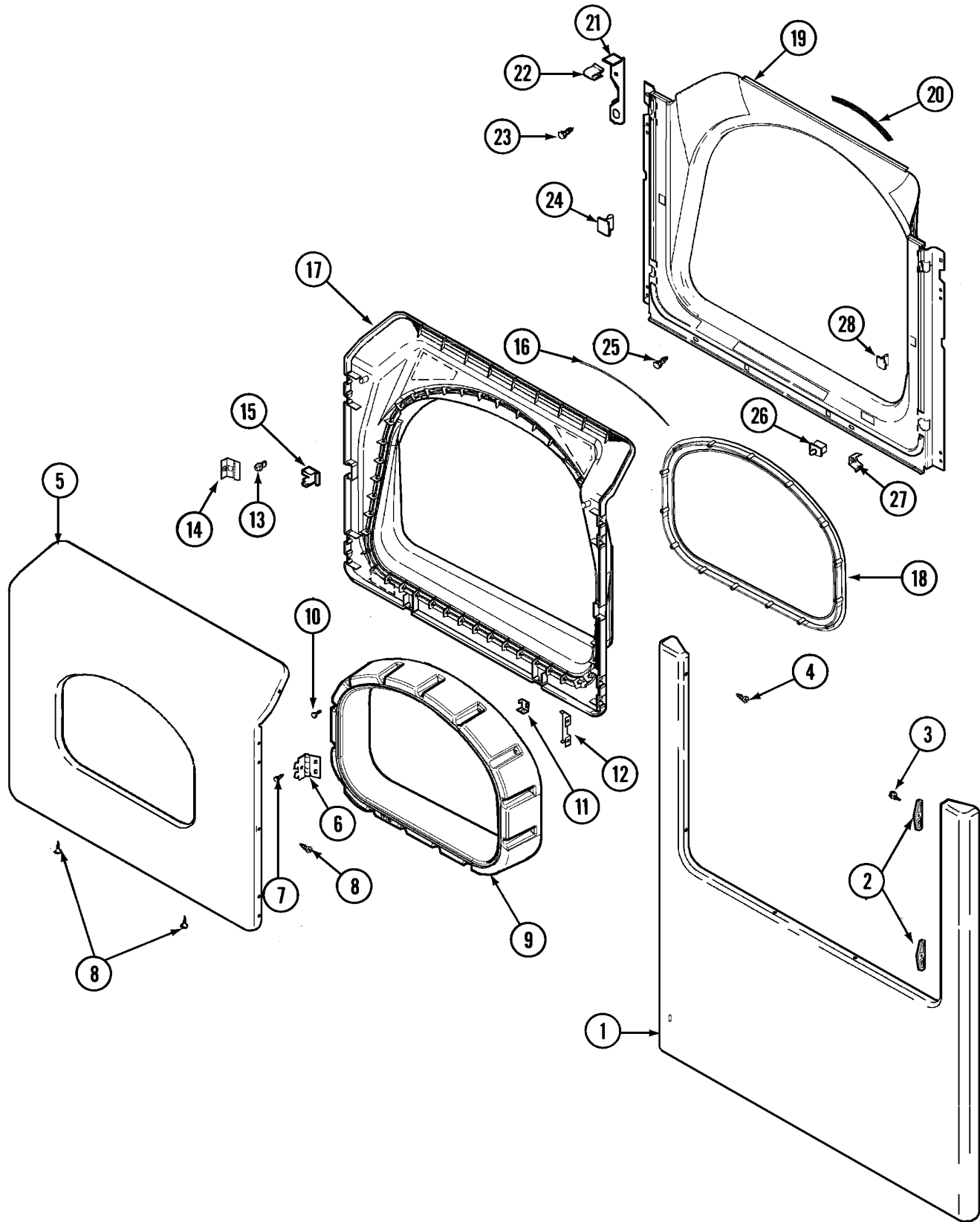
## Section: DOOR (UPPER)

| No. | Part No. | Description   | Series | Qty |
|-----|----------|---|--------|-----|
| 1   | 33002015 | DOOR, OUTER (WHT)                                     | 10     | 1   |
| 2   | 22002063 | SCREW #8-18AB WAFER HD                                | 10     | 8   |
| 3   | 33002017 | HINGE, DOOR   | 10     | 2   |
| 4   | 22002062 | SCREW Note: SCREW, HINGE                              | 10     | 4   |
| -   | 22002300 | SCREW Note: SCREW, TUNNEL                             | 10     | 15  |
| 5   | 33002018 | TUNNEL (WHT)  | 10     | 1   |
| 6   | 33002020 | DOOR, INNER (WHT)                                     | 10     | 1   |
| 7   | 22002038 | CLIP, DOOR (DOUBLE)                                   | 10     | 4   |
| 8   | 33001763 | PLUG, INNER DOOR                                      | 10     | 1   |
| 9   | 33002094 | SEAL, DOOR  | 10     | 1   |
| 10  | 22002039 | CLIP, DOOR (SINGLE) Note: CLIP, INNER DOOR            | 10     | 2   |
| 11  | 33001761 | STRIKE, DOOR (MALE)                                   | 10     | 1   |
| 12  | 33001793 | BRACKET, STRIKE                                       | 10     | 1   |
| 13  | 33002607 | LENS  | 33     | 1   |
| 13  | 33002022 | LENS  | 10     | 1   |
| 14  | 33002038 | SWITCH, DOOR (LWR) Note: SWITCH, DOOR                 | 10     | 1   |
| 15  | 33002130 | PANEL, FRONT (WHT) Note: PANEL, FRONT (WHT)           | 10     | 1   |
| -   | 33001711 | NAMEPLATE   | 10     | 1   |
| -   | 33002051 | SCREW, TORX Note: SCREW, FRONT PANEL                  | 10     | 2   |
| 16  | 33001486 | PANEL, FASTENER                                       | 10     | 4   |
| 17  | 33001791 | CATCH, DOOR (W/PLUG)                                  | 10     | 1   |
| 18  | 33002025 | TWIN SPEEDNUT   | 10     | 4   |
| 19  | 33001175 | COVER, HINGE HOLE (WHT)                               | 10     | 2   |
| 20  | 33002026 | EXTENSION, TUMBLER FRONT                              | 10     | 1   |
| 21  | 33001767 | SEAL, SHROUD  | 10     | 1   |
| 22  | 33001855 | SCREW (HEX HEAD) Note: SCREW, TUMBLER FRONT EXTENSION | 10     | 2   |

\*Color Code (-)=Not Shown #=Series, Serial Prefix or Run No., N=Not Available

Section: DOOR (LOWER)

Model: MLG15PDAXW



LD17-16

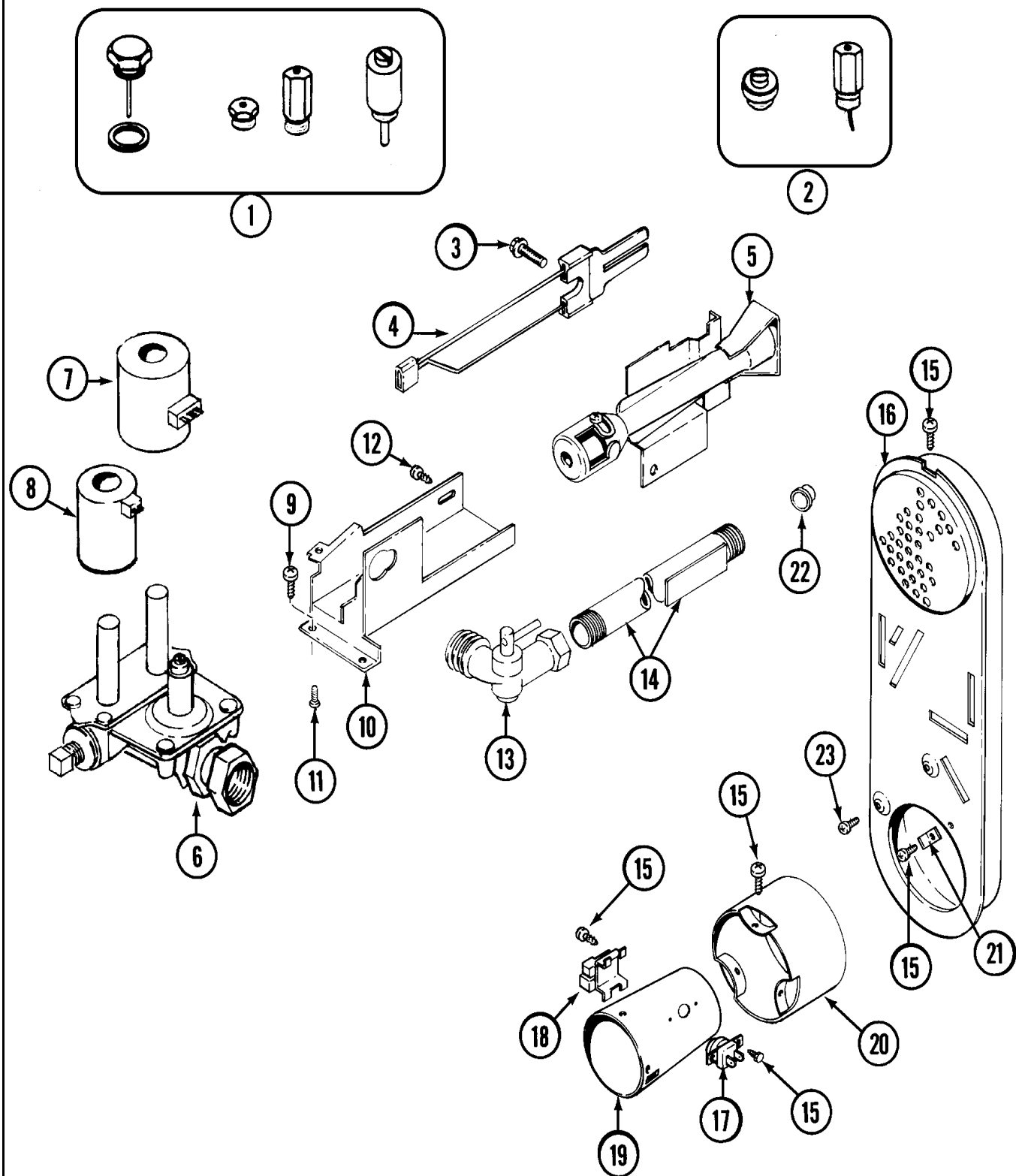
## Section: DOOR (LOWER)

| No. | Part No. | Description                                | Series | Qty |
|-----|----------|--|--------|-----|
| 1   | 22002241 | PANEL, FRONT (WHT)                         | 10     | 1   |
| 2   | 33001764 | COVER, HINGE HOLE (WHT)                    | 10     | 8   |
| 3   | 33001846 | SCREW Note: SCREW, HINGE HOLE COVER        | 10     | 2   |
| 4   | 22002243 | SCREW Note: SCREW, HINGE                   | 10     | 2   |
| 5   | 33002028 | DOOR, OUTER (WHT)                          | 10     | 1   |
| 6   | 33001759 | HINGE, DOOR                                | 10     | 2   |
| 7   | 22002062 | SCREW                                      | 10     | 4   |
| 8   | 22002063 | SCREW #8-18AB WAFER HD                     | 10     | 8   |
| 9   | 33002018 | TUNNEL (WHT)                               | 10     | 1   |
| 10  | 22002300 | SCREW Note: SCREW, TUNNEL                  | 10     | 15  |
| 11  | 22002039 | CLIP, DOOR (SINGLE) Note: CLIP, INNER DOOR | 10     | 2   |
| 12  | 22002038 | CLIP, DOOR (DOUBLE)                        | 10     | 4   |
| 13  | 33001761 | STRIKE, DOOR (MALE)                        | 10     | 1   |
| 14  | 33001793 | BRACKET, STRIKE                            | 10     | 1   |
| 15  | 33001763 | PLUG, INNER DOOR                           | 10     | 1   |
| 16  | 33002094 | SEAL, DOOR                                 | 10     | 1   |
| 17  | 33002030 | DOOR, INNER (LWR-WHT)                      | 10     | 1   |
| 18  | 33002022 | LENS                                       | 10     | 1   |
| 19  | 33002033 | SHROUD (WHT) Note: SHROUD (WHT)            | 10     | 1   |
| 20  | 33001767 | SEAL, SHROUD                               | 10     | 1   |
| 21  | 22002991 | KIT, ACCESS COVER HOOK                     | 10     | 1   |
| 22  | 33002037 | FASTENER, ACCESS COVER HOOK                | 10     | 2   |
| 23  | 22001995 | SCREW Note: SCREW, TUMBLER FRONT           | 10     | 10  |
| 24  | 33001791 | CATCH, DOOR (W/PLUG)                       | 10     | 1   |
| 25  | 33001768 | SCREW, SHROUD                              | 10     | 2   |
| 26  | 33002038 | SWITCH, DOOR (LWR)                         | 10     | 1   |
| 27  | 33001760 | BRACKET, HINGE                             | 10     | 4   |
| 28  | 304578   | CATCH, DOOR (FEMALE)                       | 10     | 1   |

\*Color Code (-)=Not Shown #=Series, Serial Prefix or Run No., N=Not Available

Section: GAS VALVE

Model: MLG15PDAXW



CD14-1

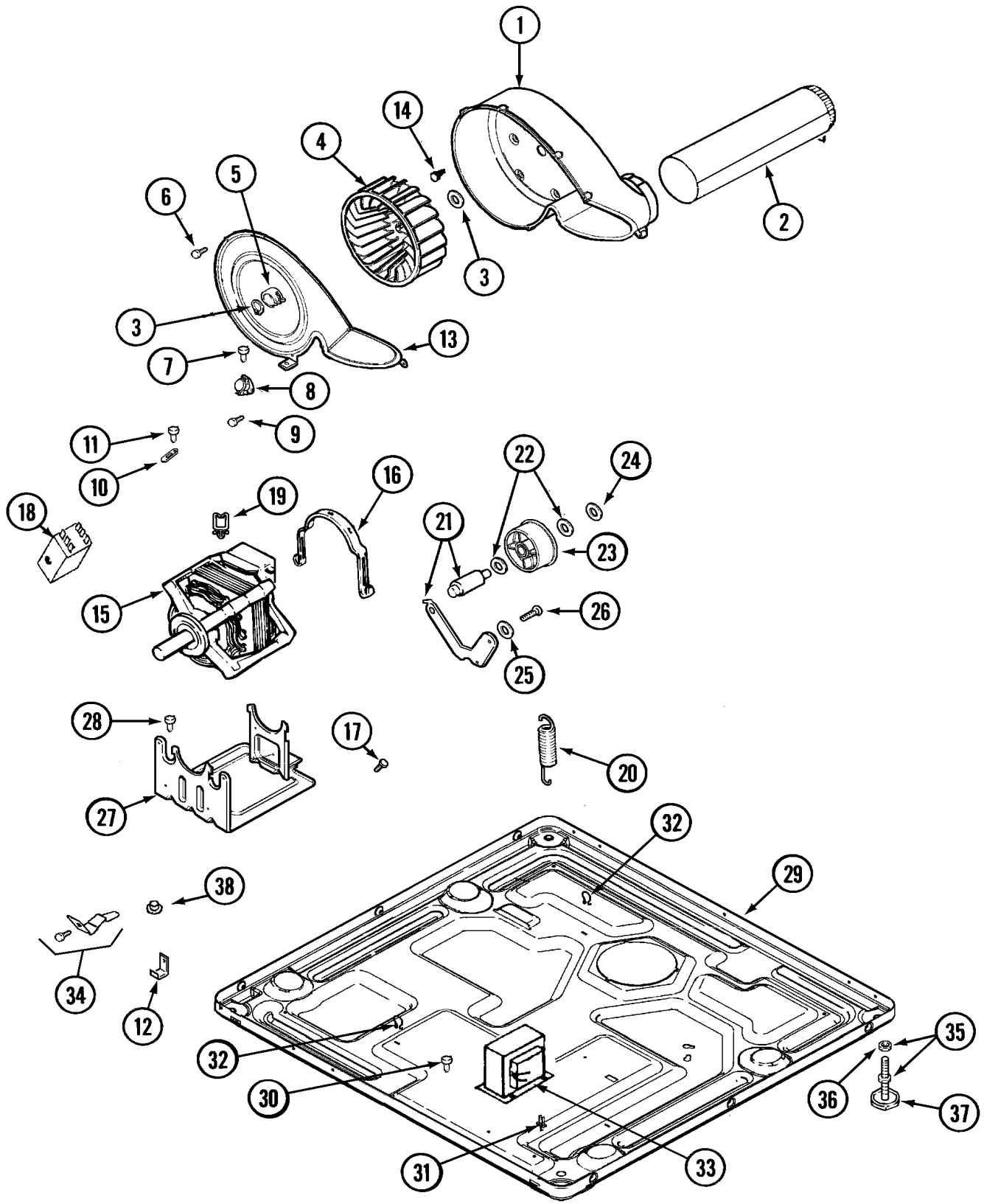
## Section: GAS VALVE

| No.  | Part No. | Description   | Series | Qty |
|------|----------|---|--------|-----|
| 1    | 308378   | CONVERSION KIT (NATURAL TO LP)                          | 10     | 2   |
| 2    | 308377   | CONVERSION KIT (LP TO NATURAL)                          | 10     | 2   |
| 3    | 304971   | SCREW Note: SCREW, IGNITER                              | 10     | 2   |
| 4    | 304970   | IGNITER ASSY, GAS VALVE                                 | 10     | 2   |
| 5    | 33001247 | BURNER ASSY.  | 10     | 2   |
| -    | 33002056 | PLUG, HOLE Note: PLUG, HOLE (UPR)                       | 10     | 1   |
| 6    | 308345   | VALVE, GAS  | 10     | 2   |
| 7    | 306106   | COIL, HOLDING & BOOSTER                                 | 10     | 2   |
| 8    | 306105   | COIL, SECONDARY   | 10     | 2   |
| 9 N  | 313561   | SCREW----NA Note: SCREW, GAS VALVE                      | 10     | 4   |
| 10 N | 33001834 | BRACKET, GAS VALVE----NA Note: BRACKET, GAS VALVE (LWR) | 10     | 1   |
| 10 N | 33002055 | BRACKET, GAS VALVE----NA Note: BRACKET, GAS VALVE (UPR) | 10     | 1   |
| 11   | 314082   | SCREW Note: SCREW, GAS VALVE                            | 10     | 2   |
| 11   | 314568   | SCREW-GAS VALVE TO BRACKET Note: SCREW, GAS VALVE       | 10     | 2   |
| 12   | 22001995 | SCREW Note: SCREW, GAS VALVE                            | 10     | 2   |
| 13   | 306086   | ANGLE SHUT OFF FOR GAS VALV Note: VALVE, ANGLE GAS      | 10     | 2   |
| 14   | 33001735 | PIPE & BRACKET ASSY.                                    | 10     | 2   |
| 15   | 211294   | SCREW Note: SCREW, DUCT                                 | 10     | 14  |
| 16   | 33001810 | DUCT ASSY., INLET (GAS) Note: INLET DUCT ASSEMBLY       | 10     | 2   |
| 17   | 305169   | THERMOSTAT, HI-LIMIT GAS                                | 10     | 2   |
| 18   | 303377   | SENSOR, RADIANT   | 10     | 2   |
| 19   | 33001835 | CONE ASSY., COMBUSTION                                  | 10     | 2   |
| 20   | 303841   | CONE, EXTENSION (COMBUSTION)                            | 10     | 2   |
| 21   | 312890   | RETAINER, HEATER CHAMBER                                | 10     | 2   |
| 22   | 33001693 | CAP, GAS PIPE   | 10     | 2   |
| 23   | 22001996 | SCREW Note: SCREW, DUCT                                 | 10     | 8   |

\*Color Code (-)=Not Shown #=Series, Serial Prefix or Run No., N=Not Available

Section: MOTOR DRIVE

Model: MLG15PDAXW



LD14-42



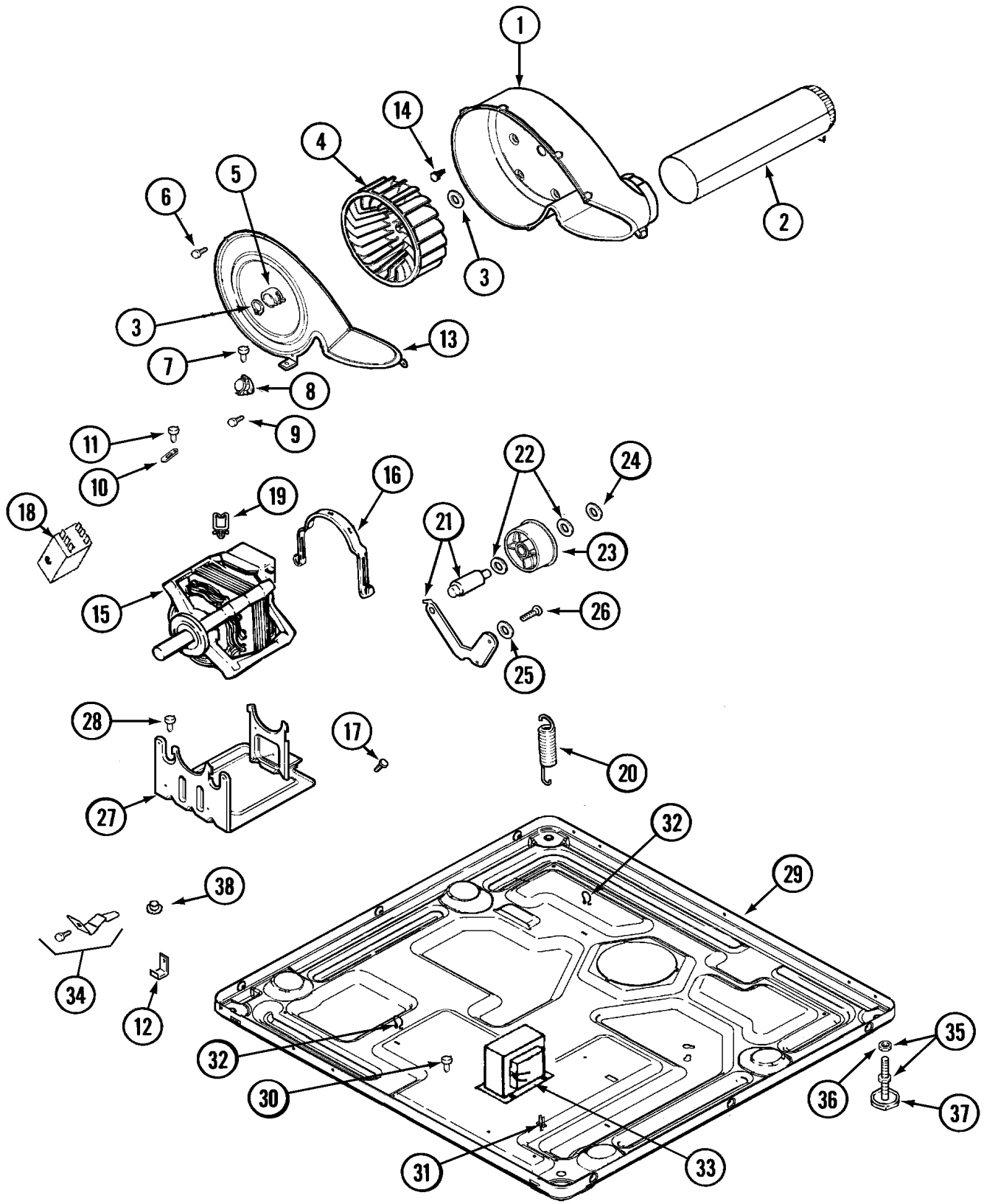
## Section: MOTOR DRIVE

| No.  | Part No. | Description   | Series | Qty |
|------|----------|---|--------|-----|
| 1    | 33001789 | HOUSING, BLOWER   | 10     | 2   |
| 2    | 33001800 | DUCT ASSY., EXHAUST   | 10     | 2   |
| -    | 22001995 | SCREW Note: SCREW, EXHAUST DUCT ASSEMBLY                        | 10     | 2   |
| 3    | 410233   | RING, RETAINING   | 10     | 4   |
| 4    | 33001790 | WHEEL, BLOWER   | 10     | 2   |
| 5    | 312967   | CLAMP, BLOWER HOUSING   | 10     | 2   |
| 6    | 33001855 | SCREW (HEX HEAD) Note: SCREW, HOUSING COVER                     | 10     | 16  |
| 7 N  | 313561   | SCREW----NA Note: SCREW, HOUSING COVER                          | 10     | 2   |
| -    | 307208   | THERMISTOR, TEMP. CONTROL                                       | 10     | 2   |
| 8    | 33303391 | THERMOSTAT, CYCLING   | 10     | 2   |
| 9    | 22001996 | SCREW Note: SCREW, THERMOSTAT                                   | 10     | 8   |
| 10   | 33001762 | FUSE, THERMAL (W' BRACKET)                                      | 10     | 2   |
| 11   | 314848   | SCREW Note: SCREW, THERMAL CUT-OFF                              | 10     | 2   |
| 12   | 22002239 | CLIP, LOWER FRONT PANEL Note: CLIP, FRONT PANEL (LWR-BASE)      | 10     | 2   |
| -    | 33002190 | SCREW (#10-3/8") Note: SCREW, FRONT PANEL CLIP                  | 10     | 2   |
| 13   | 33001796 | COVER, BLOWER HOUSING   | 10     | 2   |
| 14   | 314818   | SCREW Note: SCREW, BLOWER HOUSING                               | 10     | 8   |
| 15   | 33001853 | MOTOR (W/PULLEY)  | 10     | 2   |
| 15   | 33002237 | MOTOR (W/PULLEY)  | 11     | 2   |
| 16   | 015825   | CLIP, MOTOR   | 10     | 4   |
| 17   | 910343   | SCREW, GROUND WIRE  | 10     | 4   |
| 18   | 33001854 | SWITCH, MOTOR   | 10     | 2   |
| 19   | 33002040 | CLIP, WIRE HARNESS  | 10     | 2   |
| -    | 33002461 | PLUG FOR SPRING   | 14     | 1   |
| 20   | 33001754 | SPRING, IDLER   | 10     | 2   |
| 20   | 33002460 | SPRING, IDLER   | 14     | 1   |
| -    | 33002157 | GROMMET   | 10     | 1   |
| 21   | 33001840 | IDLER ARM & SHAFT ASSY.   | 10     | 2   |
| 22   | 312527   | WASHER, IDLER SHAFT (QTY-1)                                     | 10     | 4   |
| 23   | 33001783 | BEARING, IDLER ASSEMBLY   | 10     | 2   |
| 24   | 312958   | RETAINING RING, IDLER SHAFT                                     | 10     | 2   |
| 25   | 315772   | SLEEVE, IDLER ARM   | 10     | 2   |
| 26   | 014874   | SCREW   | 10     | 2   |
| 27   | 33001752 | SUPPORT, MOTOR  | 10     | 2   |
| 27   | 33002466 | SUPPORT, MOTOR  | 14     | 1   |
| - N  | 313561   | SCREW----NA Note: SCREW, SUPPORT                                | 14     | 1   |
| 28 N | 313561   | SCREW----NA Note: SCREW, MOTOR SUPPORT                          | 10     | 4   |
| -    | 314568   | SCREW-GAS VALVE TO BRACKET Note: SCREW, HARNESS PROTECTOR (UPR) | 10     | 2   |
| 29 N | 33002465 | BASE, (LWR)----NA   | 14     | 1   |
| 29   | 33002041 | BASE (UPR)  | 10     | 1   |
| -    | 33002050 | PROTECTOR, HARNESS Note: PROTECTOR, HARNESS (UPR)               | 10     | 2   |
| -    | 33002049 | STRIP, GROMMET Note: STRIP, GROMMET (UPR)                       | 10     | 2   |
| 29   | 33002467 | BASE (UPR)  | 38     | 1   |
| 29   | 33002467 | BASE (UPR)  | 14     | 1   |
| 29 N | 33002465 | BASE, (LWR)----NA   | 38     | 1   |
| 29   | 33001845 | BASE Note: BASE (LWR)   | 10     | 1   |
| -    | 33002048 | FASTENER, PUSH Note: FASTENER, PUSH (UPR)                       | 10     | 2   |
| 30   | 211294   | SCREW Note: SCREW, TRANSFORMER (LWR)                            | 10     | 2   |
| 31   | 315471   | RETAINER, WIRE  | 10     | 1   |
| 32   | 410490   | SPRING, WIRE HARNESS  | 10     | 2   |
| -    | 315218   | SHIELD, XFMER Note: SHIELD, TRANSFORMER (LWR)                   | 10     | 1   |
| 33   | 33001205 | TRANSFORMER Note: TRANSFORMER (LWR)                             | 10     | 1   |
| -    | 313559   | SCREW Note: SCREW, TRANSFORMER SHIELD (LWR)                     | 10     | 2   |
| -    | 22001995 | SCREW Note: SCREW, BRACKET (UPR)                                | 10     | 2   |
| 34   | 33002043 | BRACKET (RT) Note: (RT-UPR BASE)                                | 10     | 1   |
| 34   | 33002042 | BRACKET (LT) Note: BRACKET (LT-UPR BASE)                        | 10     | 1   |

\*Color Code (-)=Not Shown #=Series, Serial Prefix or Run No., N=Not Available

Section: MOTOR DRIVE

Model: MLG15PDAXW



LD14-42

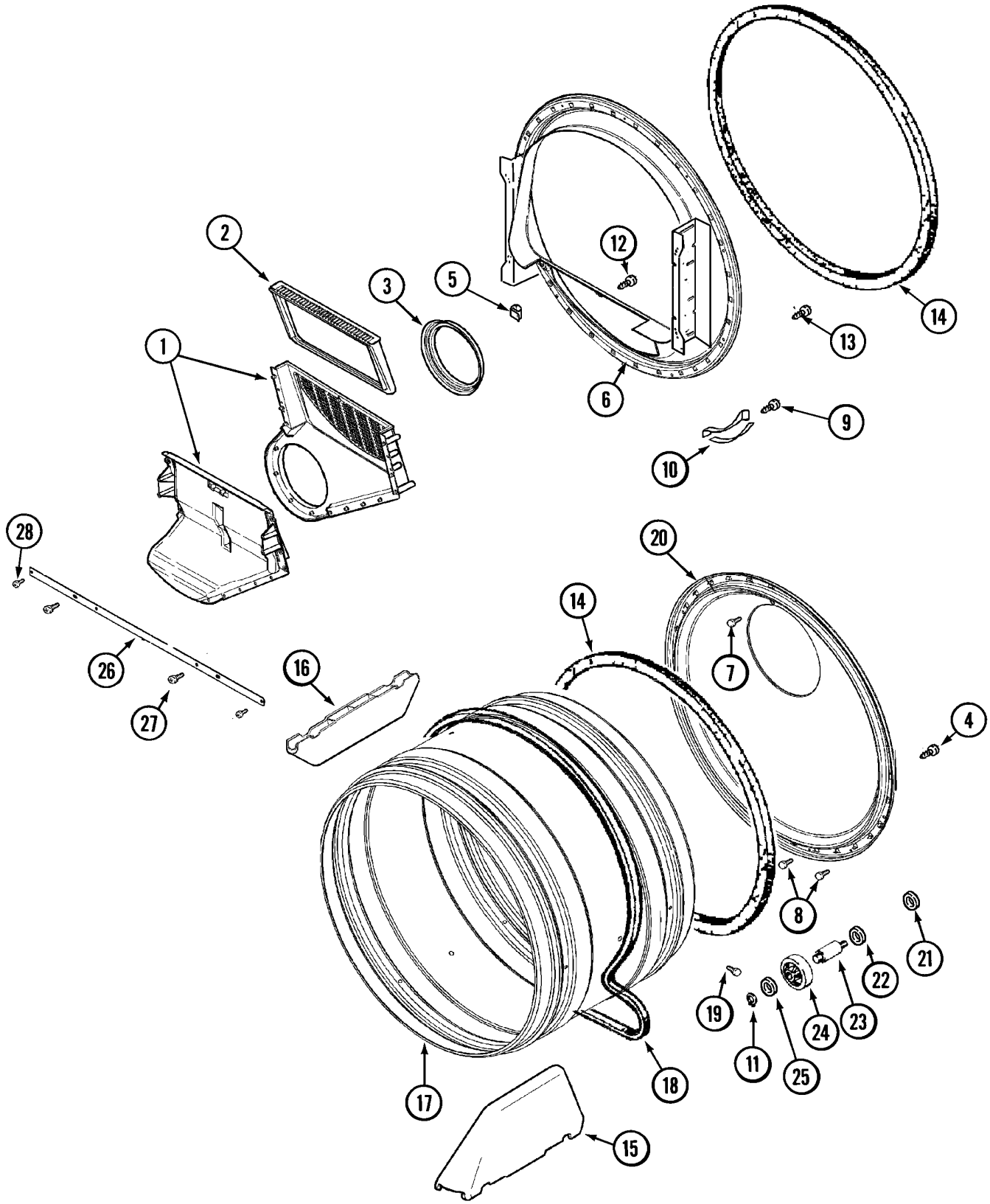
## Section: MOTOR DRIVE

| No. | Part No.   | Description   | Series | Qty |
|-----|------------|---|--------|-----|
| 34  | N 12001551 | BRACKET/SCREW PACKAGE                                 | 10     | 1   |
| -   | 22002244   | CLIP, GROUNDING Note: CLIP, GROUNDING (LWR)           | 10     | 1   |
| 35  | 22001915   | ADJUSTABLE LEG & NUT Note: ADJUSTABLE LEG & NUT (LWR) | 10     | 4   |
| 36  | 052740     | NUT Note: NUT, LEG (LWR)                              | 10     | 4   |
| 37  | 210684     | FOOT, RUBBER Note: FOOT, RUBBER (LWR)                 | 10     | 4   |
| 38  | 33002044   | GUIDE Note: GUIDE (UPR-BASE)                          | 10     | 2   |

\*Color Code (-)=Not Shown #=Series, Serial Prefix or Run No., N=Not Available

Section: TUMBLER

Model: MLG15PDAXW



LD13-47

## Section: TUMBLER

| No. | Part No. | Description  | Series | Qty |
|-----|----------|--|--------|-----|
| 1   | 33001799 | OUTLET DUCT ASSEMBLY Note: OUTLET DUCT ASSEMBLY                                  | 10     | 2   |
| 2   | 33001808 | FILTER, LINT   | 10     | 1   |
| 3   | 33001758 | SEAL, BLOWER   | 10     | 1   |
| 4   | 33002190 | SCREW (#10-3/8")   | 10     | 4   |
| 5   | 310376   | CLIP, WIRE HARNESS   | 10     | 1   |
| 6   | 33001802 | FRONT, TUMBLER (W/SEAL) Note: FRONT, TUMBLER (W/SEAL) (INCL. SENSOR/ LIGHT ASSY) | 10     | 1   |
| 7   | 210932   | SCREW, #8 X 9/16 CTSK Note: SCREW, INLET DUCT                                    | 10     | 1   |
| 8   | 22001996 | SCREW Note: SCREW, INLET DUCT  | 10     | 2   |
| 9   | 210720   | RIVET Note: RIVET, TUMBLER   | 10     | 4   |
| 10  | 306508   | TUMBLER BEARING KIT  | 10     | 2   |
| 11  | 410233   | RING, RETAINING  | 10     | 2   |
| 12  | N 312311 | SCREW----NA Note: SCREW, OUTLET DUCT (PHILLIPS)                                  | 10     | 1   |
| 13  | 33001855 | SCREW (HEX HEAD) Note: SCREW, DUCT TO TUMBLER (HEX)                              | 10     | 4   |
| 14  | 33001807 | SEAL, TUMBLER  | 10     | 2   |
| 15  | 33001756 | BAFFLE (TALL)  | 10     | 2   |
| 16  | 33001755 | BAFFLE (SHORT)   | 10     | 1   |
| 17  | 33001889 | TUMBLER  | 10     | 1   |
| 18  | 33001777 | BELT, TUMBLER  | 10     | 1   |
| 19  | 33001788 | SCREW, BAFFLE  | 10     | 6   |
| 20  | 33001801 | BACK, TUMBLER (W/SEAL)   | 10     | 1   |
| 21  | 33001443 | NUT, HEX (ROLLER SHAFT)  | 10     | 2   |
| 22  | 313347   | WASHER, SPRING (ROLLER SHAFT)  | 10     | 2   |
| 23  | 312948   | SHAFT, TUMBLER ROLLER  | 10     | 2   |
| 24  | 303373   | BEARING & ROLLER ASSEMBLY Note: ROLLER (W/BEARING)                               | 10     | 2   |
| 25  | 312535   | WASHER, ROLLER SHAFT   | 10     | 2   |
| 26  | 33002039 | BRACE, TUMBLER FRONT   | 10     | 1   |
| 27  | 33001768 | SCREW, SHROUD Note: SCREW, BRACE (#8)  | 10     | 2   |
| 28  | 22001995 | SCREW Note: SCREW, BRACE (#10)   | 10     | 2   |

\*Color Code (-)=Not Shown #=Series, Serial Prefix or Run No., N=Not Available

