

DRYER

Repair Parts List

MODEL NUMBER
MLG19PNAWW

When requesting service or ordering parts, always provide the following information:

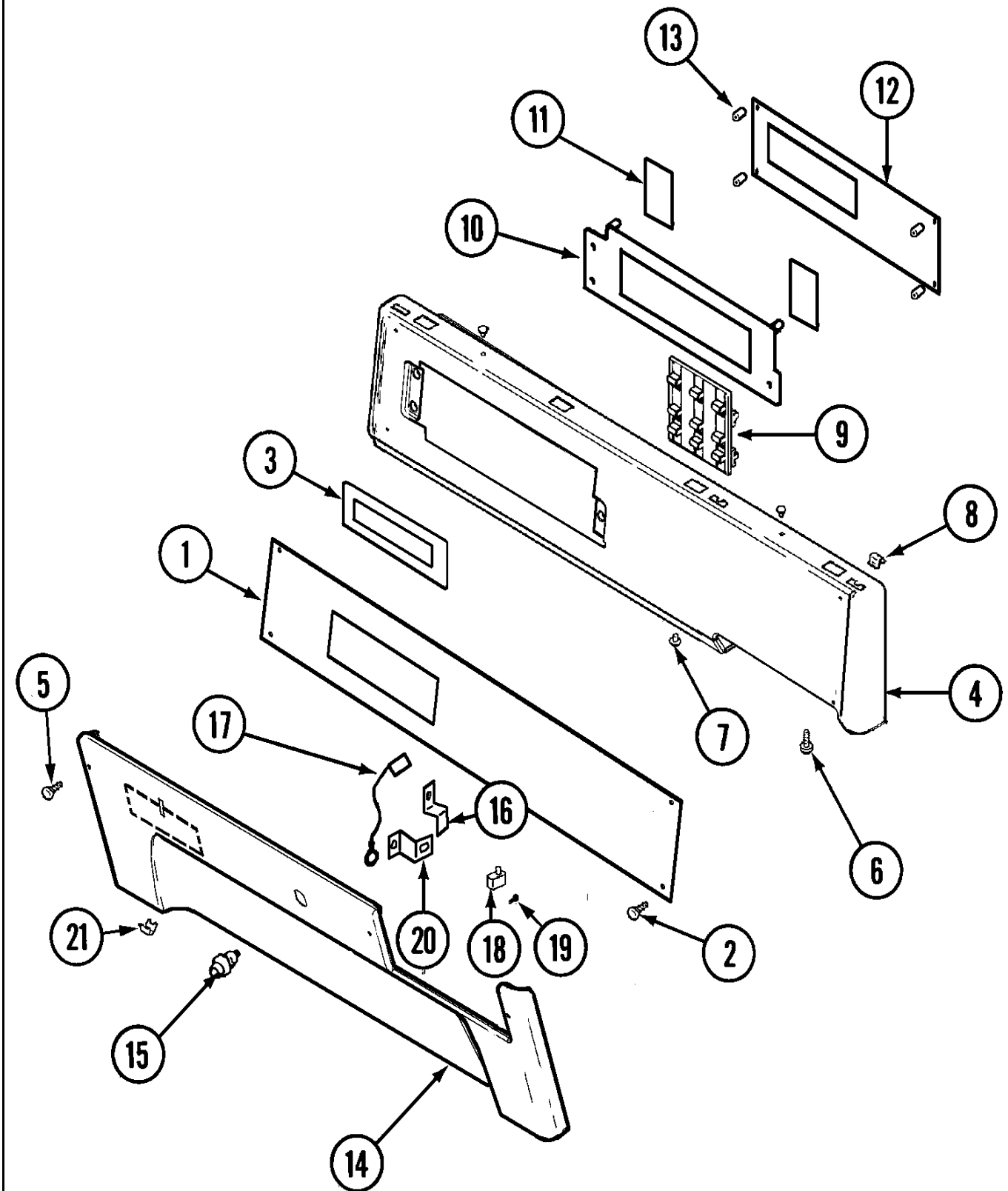
- Product Type
- Part Number
- Model Number
- Part Description

MAYTAG®

©2005 Maytag Services

Section: CONTROL PANEL (DRYER)

Model: MLG19PNAWW



LD11-113

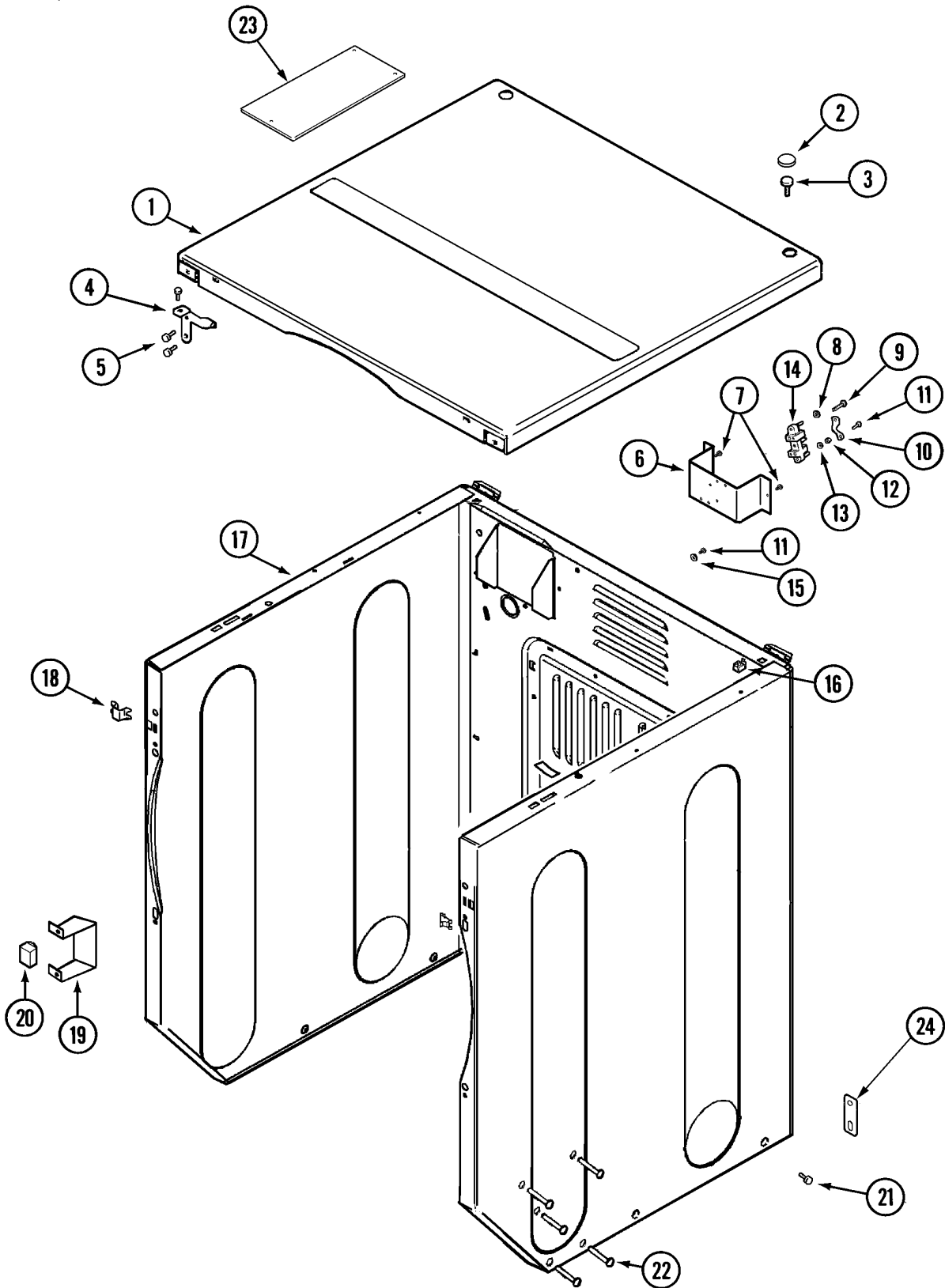
Section: CONTROL PANEL (DRYER)

No.	Part No.	Description	Series	Qty
1	33002685	FACIA, CONTROL PANEL----N	10	1
2	215506	SCREW, TORX Note: SCREW, CONTROL PANEL OVERLAY	10	4
3	33002150	COVER, DISPLAY Note: COVER, DISPLAY	10	1
4	33002264	PANEL, CONTROL	10	1
-	33002003	FASTENER CLIP, CONTROL PANEL	10	2
5	215506	SCREW, TORX Note: SCREW, ACCESS PANEL (TORX)	10	6
6	215506	SCREW, TORX Note: SCREW, CONTROL PANEL (TORX)	10	3
7	33001132	PLUG, SIGHT HOLE (WHT)	10	2
8	33001977	FASTENER, CONTROL PANEL	10	3
9	33002178	SWITCH, PUSH BUTTON	10	1
10	33002155	PLATE, CONTROL MOUNTING	10	1
11	33002152	SWITCH, MEMBRANE	10	1
12	33002359	BOARD, CONTROL SUB	10	1
-	912077	LOCKNUT Note: LOCKNUT, WASHER	10	6
13	33001204	STANDOFF, CIRCUIT BOARD	10	4
14	33002262	PANEL, ACCESS (WHT)	10	1
15	Y206081	LOCK FOR ACCESS DOOR Note: LOCK, ACCESS DOOR	10	1
16	213750	LOCKING CAM	10	1
17	33001981	WIRE, GROUND	10	1
18	33002117	SWITCH, SENSOR	10	1
19	912012	SCREW Note: SCREW, PROGRAMMING SWITCH	10	2
20	33001982	BRACKET, SWITCH MOUNTING	10	1
21	33002004	CLIP, FASTENER	10	2
-	33002060	BRACKET, SECURITY	10	1
-	N 33002045	NUT, SECURITY	10	4
-	22001995	SCREW Note: SCREW, SECURITY	10	2
-	22003820	WIRE HARNESS / HH / UNBALANCE	10	1
-	22003819	WIRE HARNESS, LOWER COMMERCIAL Note: WIRE HARNESS, LOWER COMMERCIAL	10	1
-	22004249	HARNESS, WIRE LOWER	71	1
-	33002872	HARNESS, WIRE UPPER GAS	71	1
-	33002281	WIRE HARNESS, UPPER U.S. ELECT	10	1
-	33002151	MANUAL, USE & CARE	10	1

*Color Code (-)=Not Shown #=Series, Serial Prefix or Run No., N=Not Available

Section: CABINET-FRONT (DRYER)

Model: MLG19PNAWW



CW12-35

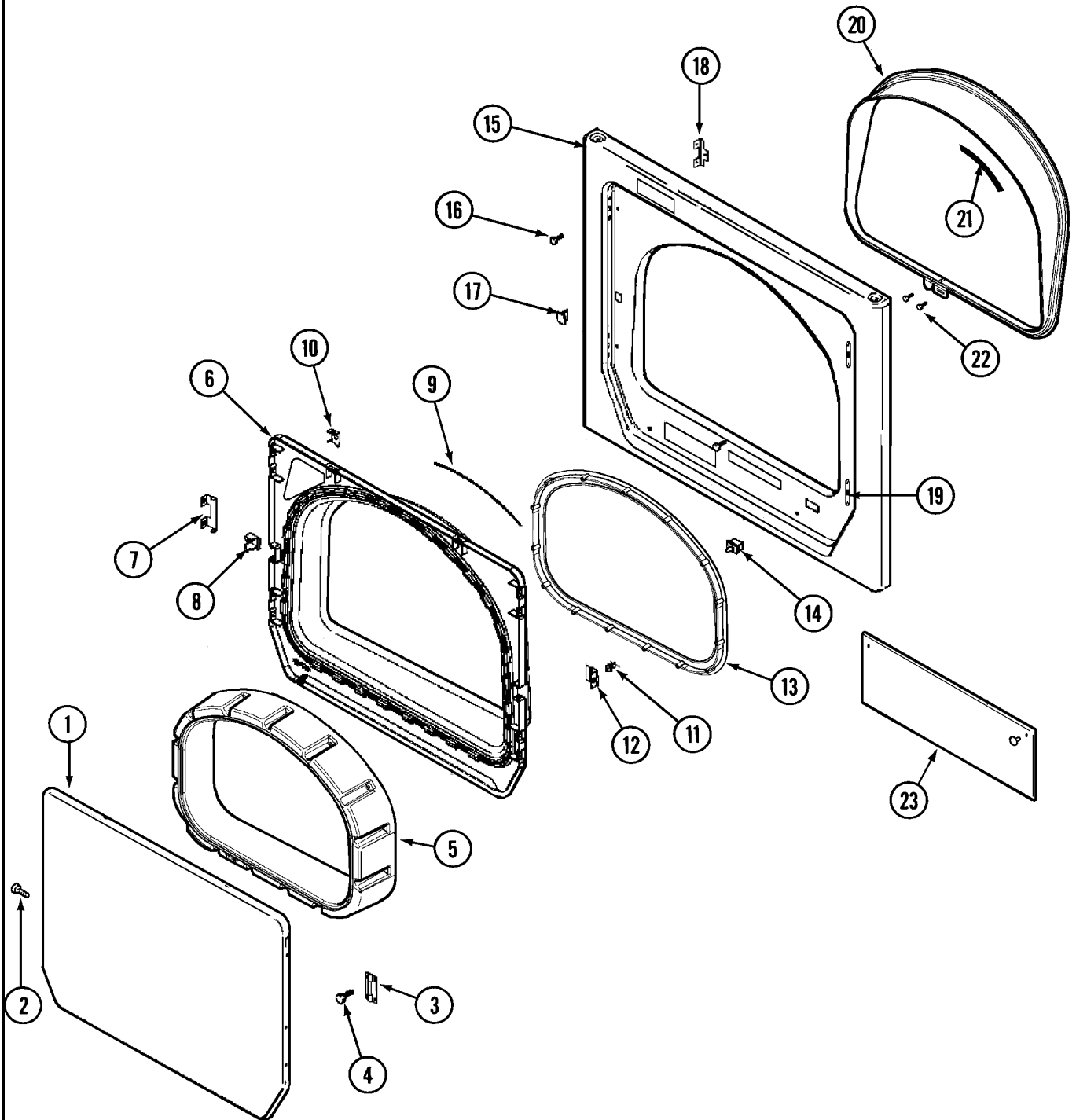
Section: CABINET-FRONT (DRYER)

No.	Part No.	Description	Series	Qty
1	33001995	COVER, TOP (WHT)	10	1
2	33001997	PLUG, HOLE	10	2
3	22001883	SCREW Note: SCREW, TOP COVER	10	2
4	33001998	BRACKET, TOP COVER (LT)	10	1
-	33001999	BRACKET, TOP COVER (RT) Note: BRACKET, TOP COVER (RT)	10	1
5	22001995	SCREW Note: SCREW, TOP COVER BRACKET	10	6
6 N	33001826	BRACKET, TERMINAL BLOCK----NA	10	1
7	22001995	SCREW Note: SCREW, TERMINAL BLOCK BRACKET	10	2
8	Y311270	WASHER, TERMINAL BLOCK	10	3
9	Y312209	SCREW, #10-24 X 3/4 INCH Note: SCREW, TERMINAL BLOCK	10	2
10	Y312184	STRAP, GROUND	10	1
11	22003781	SCREW Note: SCREW, GROUND STRAP	10	3
12	311484	NUT, TERMINAL BLOCK	10	6
13	311093	WASHER, 7/32 INCH Note: WASHER, BRASS	10	1
14	33001244	BLOCK, TERMINAL	10	1
15 N	313363	WASHER Note: WASHER, GROUND LUG	10	2
16	22001502	FASTENER, U-NUT	10	2
17	22003645	CABINET ASSY. (WHT AS PK)	10	1
18	33001980	CLIP, ACCESS PANEL	10	2
- N	313561	SCREW----NA Note: SCREW, RELAY BRACKET	10	2
19	33002002	BRACKET, RELAY (UPR)	10	1
-	251119	SCREW Note: SCREW, RELAY	10	1
20	306398	RELAY - SPST HEATER Note: RELAY	10	1
21	22003409	SCREW----NA	10	6
21	213007	SCREW, CABINET	10	6
22	33001991	BOLT, CARRIAGE	10	5
23	Y314174	TERMINAL COVER - CANADA	10	1
24	33002060	BRACKET, SECURITY	10	2

*Color Code (-)=Not Shown #=Series, Serial Prefix or Run No., N=Not Available

Section: DOOR (DRYER)

Model: MLG19PNAWW



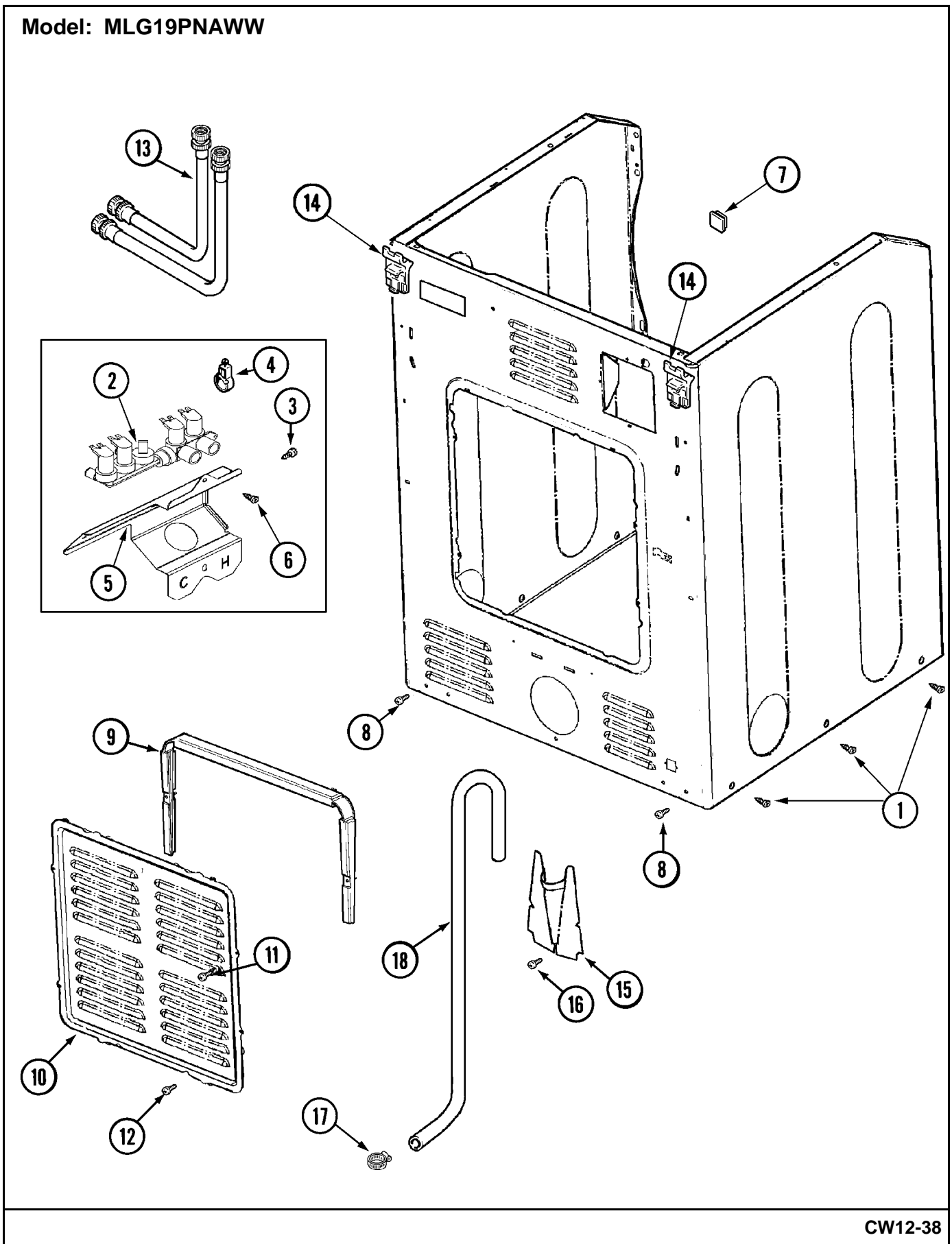
Section: DOOR (DRYER)

No.	Part No.	Description	Series	Qty
-	33001893	LABEL, OPEN DOOR (DRYER)	10	1
1	33002015	DOOR, OUTER (WHT)	10	1
2	22002063	SCREW #8-18AB WAFER HD	10	8
3	33002017	HINGE, DOOR	10	2
4	22002062	SCREW Note: SCREW, HINGE	10	8
5	33002018	TUNNEL (WHT)	10	1
-	22002300	SCREW Note: SCREW, TUNNEL	10	15
6	33002020	DOOR, INNER (WHT)	10	1
7	22002038	CLIP, DOOR (DOUBLE)	10	4
8	33002111	PLUG, INNER DOOR (SHORT)	10	1
9	33002094	SEAL, DOOR	10	1
10	22002039	CLIP, DOOR (SINGLE) Note: CLIP, INNER DOOR	10	2
11	33001761	STRIKE, DOOR (MALE)	10	1
12	33001793	BRACKET, STRIKE	10	1
13	33002607	LENS	10	1
14	33001509	SWITCH, DOOR Note: SWITCH, DOOR (UPR)	10	1
15	33002081	PANEL, FRONT (WHT-UPR)	10	1
-	33002051	SCREW, TORX Note: SCREW, FRONT PANEL	10	2
-	33001711	NAMEPLATE	10	1
16	33001486	PANEL, FASTENER	10	4
17	Y304578	CATCH, DOOR (FEMALE)	10	1
18	33002025	TWIN SPEEDNUT	10	4
19	33001175	COVER, HINGE HOLE (WHT)	10	2
20	33002026	EXTENSION, TUMBLER FRONT	10	1
21	33001767	SEAL, SHROUD	10	1
22	33001855	SCREW (HEX HEAD) Note: SCREW, TUMBLER FRONT EXTENSION	10	2
23	33002183	SHIELD, CONTROL PANEL	10	1
-	33002048	FASTENER, PUSH	10	2

*Color Code (-)=Not Shown #=Series, Serial Prefix or Run No., N=Not Available

Section: CABINET-REAR (DRYER)

Model: MLG19PNAWW



CW12-38

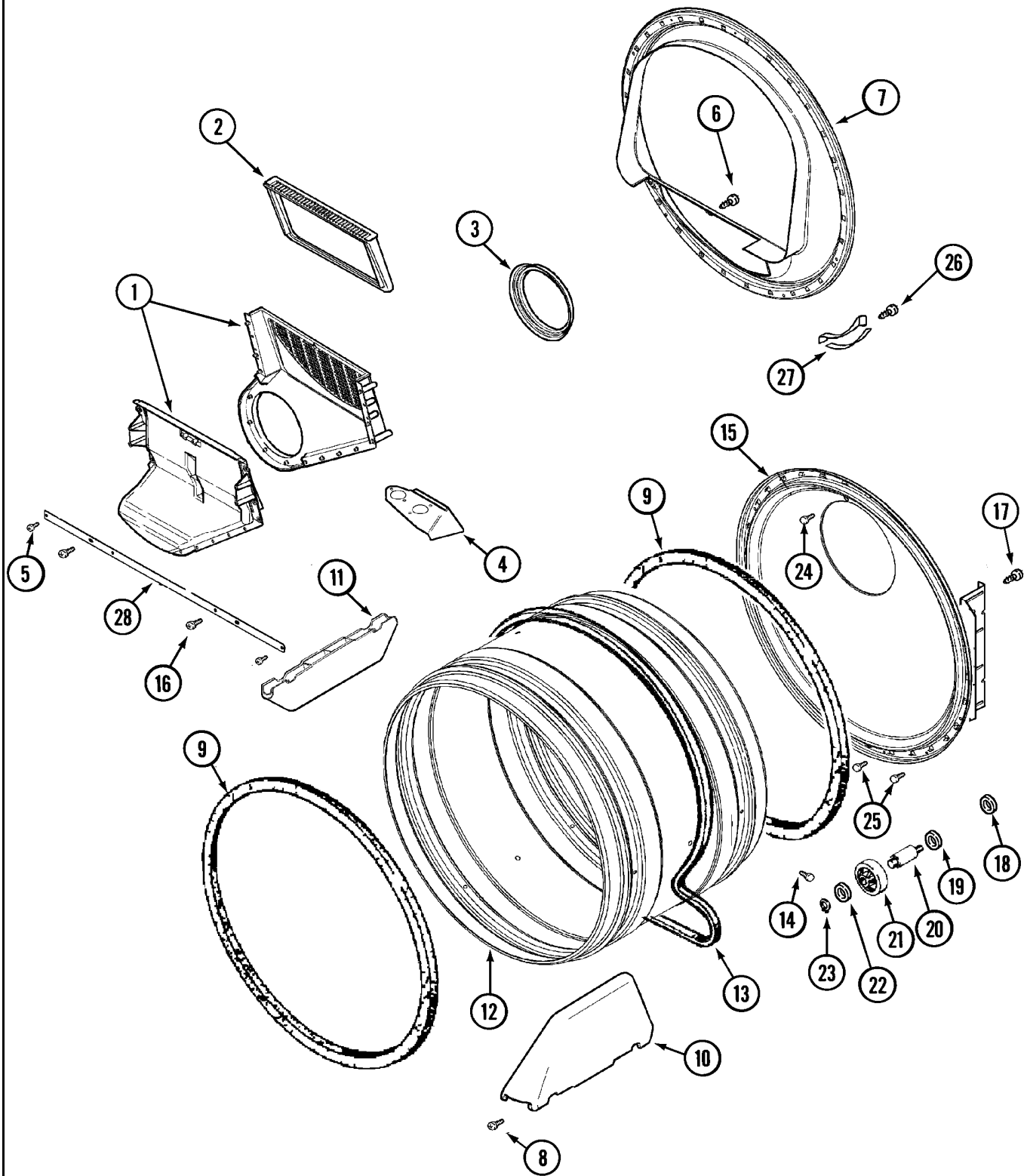
Section: CABINET-REAR (DRYER)

No.	Part No.	Description	Series	Qty
-	22001995	SCREW	10	4
1	33002060	BRACKET, SECURITY	10	1
2	33001795	COVER, TERMINAL BLOCK	10	1
3	22001995	SCREW Note: SCREW, TERMINAL COVER	10	6

*Color Code (-)=Not Shown #=Series, Serial Prefix or Run No., N=Not Available

Section: TUMBLER (DRYER)

Model: MLG19PNAWW



LD13-35

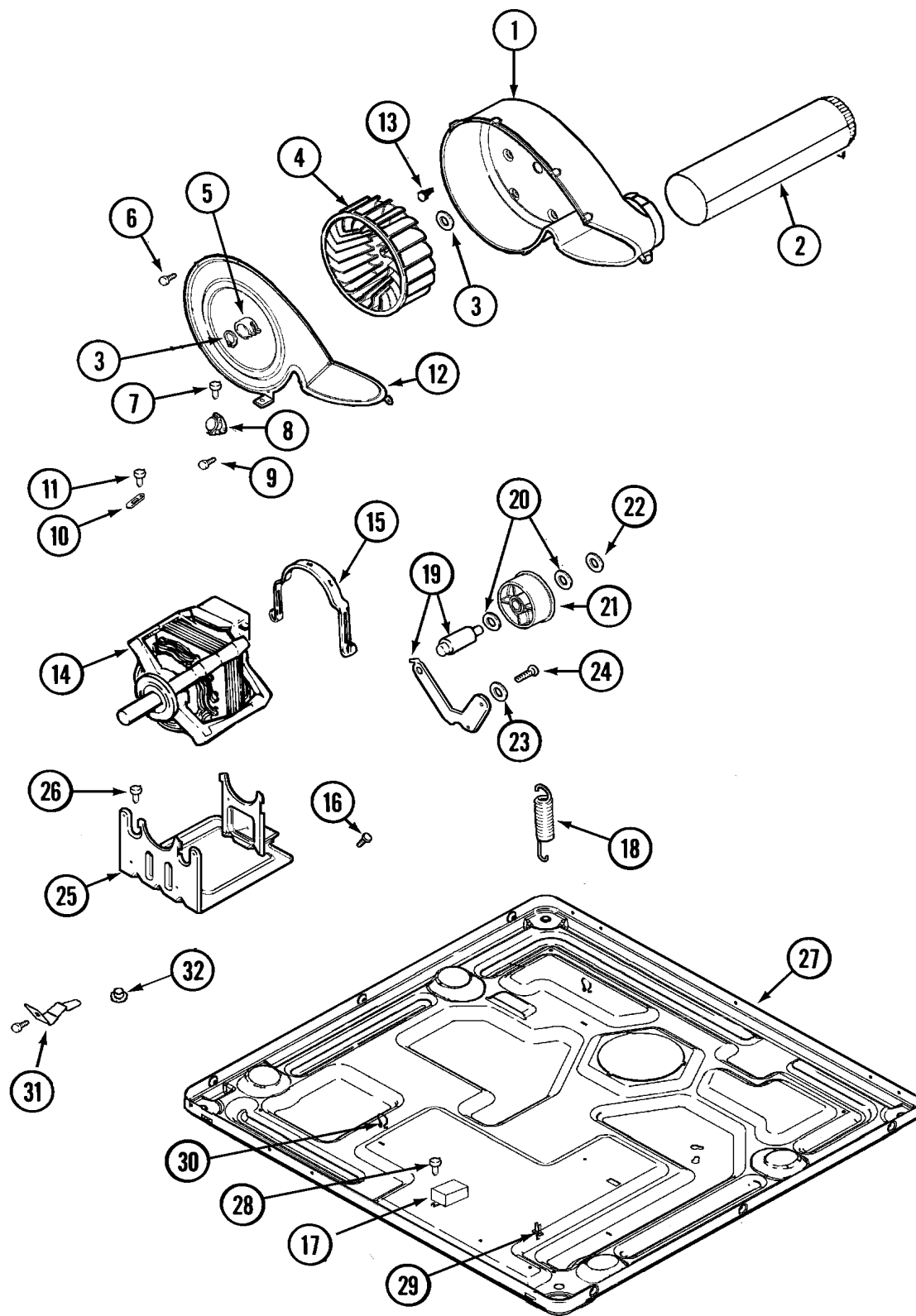
Section: TUMBLER (DRYER)

No.	Part No.	Description	Series	Qty
1	33001799	OUTLET DUCT ASSEMBLY	10	1
2	33001804	FILTER, LINT	10	1
3	33001758	SEAL, BLOWER	10	1
4	33001837	COVER, THERMOSTAT (ELEC ONLY)	10	1
5	22001995	SCREW Note: SCREW, TUMBLER FRONT BRACE	10	2
6	N 312311	SCREW---NA Note: SCREW, OUTLET DUCT	10	1
7	33001802	FRONT, TUMBLER (W/SEAL)	10	1
8	33001855	SCREW (HEX HEAD) Note: SCREW, OUTLET DUCT	10	4
9	33001807	SEAL, TUMBLER	10	2
10	33002032	BAFFLE (TALL)	10	2
11	33001755	BAFFLE (SHORT)	10	1
12	33001794	TUMBLER	10	1
13	33002535	V-BELT (TUMBLER)	10	1
14	33001788	SCREW, BAFFLE	10	6
15	33001801	BACK, TUMBLER (W/SEAL)	10	1
16	33001768	SCREW, SHROUD Note: SCREW, TUMBLER FRONT BRACE	10	2
17	22001995	SCREW Note: SCREW, TUMBLER BACK	10	4
18	33001443	NUT, HEX (ROLLER SHAFT)	10	2
19	312535	WASHER, ROLLER SHAFT	10	2
20	312948	SHAFT, TUMBLER ROLLER	10	2
21	Y303373	BEARING & ROLLER ASSEMBLY Note: ROLLER (W/BEARING)	10	2
22	312535	WASHER, ROLLER SHAFT	10	2
23	410233	RING, RETAINING	10	2
24	210932	SCREW, #8 X 9/16 CTSK Note: SCREW, INLET DUCT	10	1
25	22002925	SCREW Note: SCREW, INLET DUCT	10	2
26	210720	RIVET	10	4
27	306508	TUMBLER BEARING KIT	10	2
28	33002039	BRACE, TUMBLER FRONT	10	1

*Color Code (-)=Not Shown #=Series, Serial Prefix or Run No., N=Not Available

Section: MOTOR DRIVE (DRYER)

Model: MLG19PNAWW



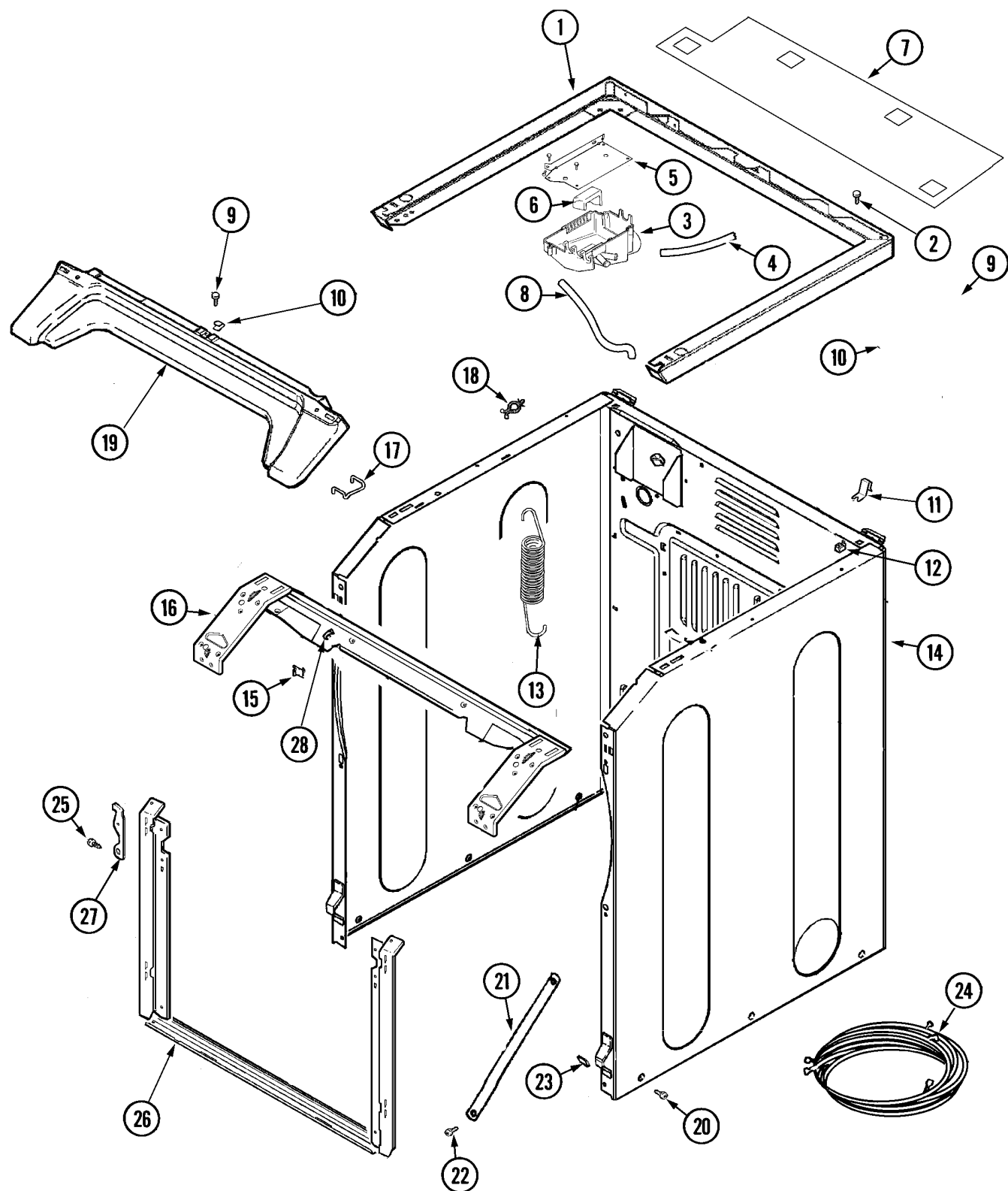
Section: MOTOR DRIVE (DRYER)

No.	Part No.	Description	Series	Qty
1	33001789	HOUSING, BLOWER	10	1
2	33002185	DUCT ASSY., EXHAUST	10	1
-	22001995	SCREW Note: SCREW, EXHAUST DUCT ASSEMBLY	10	1
3	410233	RING, RETAINING	10	2
4	33001790	WHEEL, BLOWER	10	1
5	312967	CLAMP, BLOWER HOUSING	10	1
6	33001855	SCREW (HEX HEAD) Note: SCREW, HOUSING COVER	10	8
7	N 313561	SCREW----NA Note: SCREW, HOUSING COVER	10	1
8	303392	CYCLING THERMOSTAT 140 DEG. Note: THERMOSTAT, CYCLING (140 DEG)	10	1
8	33303391	THERMOSTAT, CYCLING Note: THERMOSTAT, CYCLING (155 DEG)	10	1
9	22002925	SCREW Note: SCREW, THERMOSTAT	10	4
10	33001762	FUSE, THERMAL (W' BRACKET)	10	1
11	22002925	SCREW Note: SCREW, THERMAL CUT-OFF	10	1
12	33001796	COVER, BLOWER HOUSING	10	1
13	310632	SCREW Note: SCREW, BLOWER HOUSING	10	4
14	33002478	MOTOR	10	1
15	Y015825	CLIP, MOTOR	10	2
16	313588	SCREW	10	1
17	33002186	TRANSFORMER	10	1
-	315218	SHIELD, XFMR Note: SHIELD, TRANSFORMER	10	1
18	33002460	SPRING, IDLER	10	1
19	33001840	IDLER ARM & SHAFT ASSY.	10	1
20	312527	WASHER, IDLER SHAFT (QTY-1)	10	2
21	33001783	BEARING, IDLER ASSEMBLY	10	1
22	312958	RETAINING RING, IDLER SHAFT	10	1
23	315772	SLEEVE, IDLER ARM	10	1
24	Y014874	SCREW	10	1
25	33002466	SUPPORT, MOTOR	10	1
26	N 313561	SCREW----NA Note: SCREW, MOTOR SUPPORT	10	2
27	22003605	BASE WELD ASSEMBLY Note: BASE WELD ASSEMBLY (LWR)	10	1
-	314568	SCREW-GAS VALVE TO BRACKET Note: SCREW, HARNESS PROTECTOR	10	2
-	33002050	PROTECTOR, HARNESS	10	2
-	33002049	STRIP, GROMMET	10	2
27	33002467	BASE (UPR)	10	1
28	22001078	SCREW Note: SCREW, TRANSFORMER	10	2
29	22003298	RETAINER, WIRE	10	2
30	410490	SPRING, WIRE HARNESS	10	2
31	33002042	BRACKET (LT)	10	1
31	33002043	BRACKET (RT) Note: BRACKET (RT)	10	1
-	22001995	SCREW Note: SCREW, BRACKET	10	2
32	33002044	GUIDE	10	2

*Color Code (-)=Not Shown #=Series, Serial Prefix or Run No., N=Not Available

Section: CABINET-FRONT (WASHER)

Model: MLG19PNAWW



CW12-37

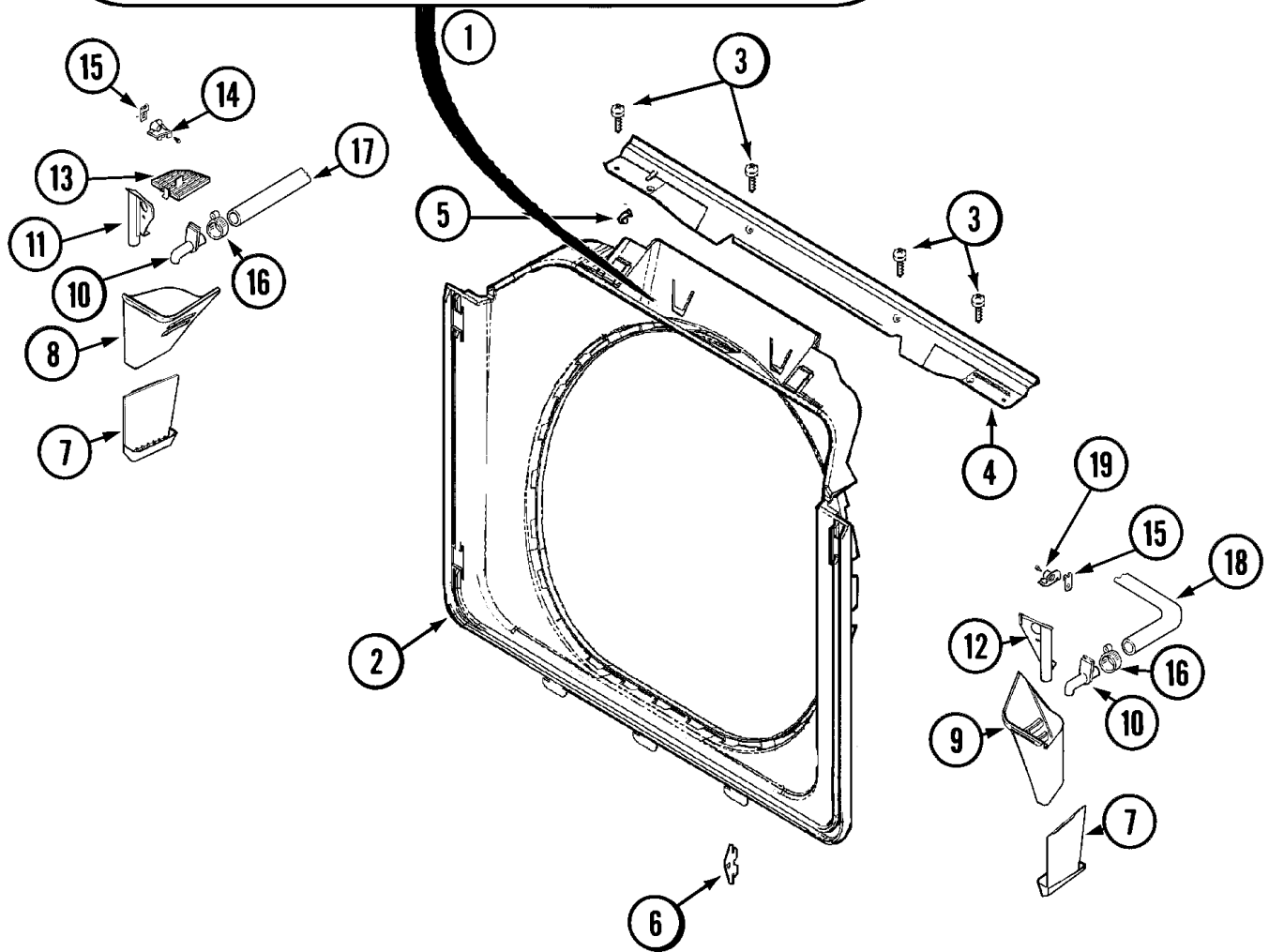
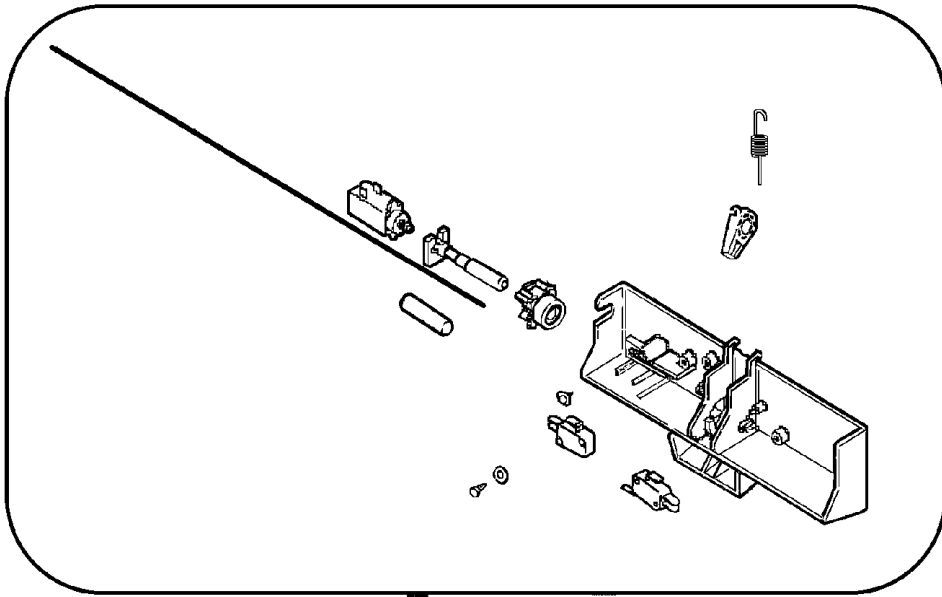
Section: CABINET-FRONT (WASHER)

No.	Part No.	Description	Series	Qty
1	33002187	SUPPORT WELD ASSY, WHITE	10	1
2	22001883	SCREW Note: SCREW, SUPPORT	10	4
3	22002439	VENT, TUB ----SUB Note: VENT, TUB	10	1
-	33001855	SCREW (HEX HEAD) Note: SCREW, VENT TUB	10	4
4	22002464	HOSE Note: HOSE, VENT	10	1
-	33002190	SCREW (#10-3/8") Note: SCREW, BRACKET	10	1
5	33002189	BRACKET, VENT MOUNTING	10	1
6	22002440	DEFLECTOR, VENT	10	1
7	33002011	COVER, ACCESS (WHT)	10	1
8	33002193	SHOWER HOSE	10	1
-	205161	CLAMP - 15/16" Note: CLAMP, HOSE	10	2
9	22001995	SCREW	10	1
10	33002013	FASTENER CLIP, ACCESS COVER	10	1
-	22002006	CLIP Note: CLIP, WIRE HARNESS	10	1
11	22002244	CLIP, GROUNDING	10	1
12	33002194	NUT, SPEED	10	2
13	22002100	SPRING Note: SPRING	10	2
-	22002179	TIE, CABLE	10	2
14	22003639	CABINET ASSY. (WHT AS PK)	10	1
15	22002049	CLIP Note: CLIP, FRONT PANEL	10	2
16	22003637	BRACE ASSEMBLY, TOP CROSS	10	1
-	22003908	VAPOR BARRIER	53	1
17	22002297	SUPPORT, SPRING	10	2
18	22003298	RETAINER, WIRE	10	2
19	33002011	COVER, ACCESS (WHT)	10	1
20	22003409	SCREW----NA Note: SCREW, CABINET (TRUSS)	10	6
21	22002767	BRACE, CROSS	10	2
22	33002190	SCREW (#10-3/8") Note: SCREW, CROSS BRACE & CABINET	10	4
23	22002013	STOP, SHIPPING	10	2
-	22003820	WIRE HARNESS / HH / UNBALANCE	10	1
24	22003819	WIRE HARNESS, LOWER COMMERCIAL	10	1
-	22002006	CLIP	10	1
25	22001995	SCREW Note: SCREW, SHROUD SUPPORT	10	8
26	22003638	SHROUD SUPPORT ASSEMBLY	10	1
-	33002037	FASTENER, ACCESS COVER HOOK	10	2
27	22002247	HOOK, SECURITY Note: INCLUDES LT & HT	10	1
28	22002014	CLIP	10	1

*Color Code (-)=Not Shown #=Series, Serial Prefix or Run No., N=Not Available

Section: DOOR SHROUD & DOOR LATCH ASSEMBLY (WASH)

Model: MLG19PNAWW



LW18-1

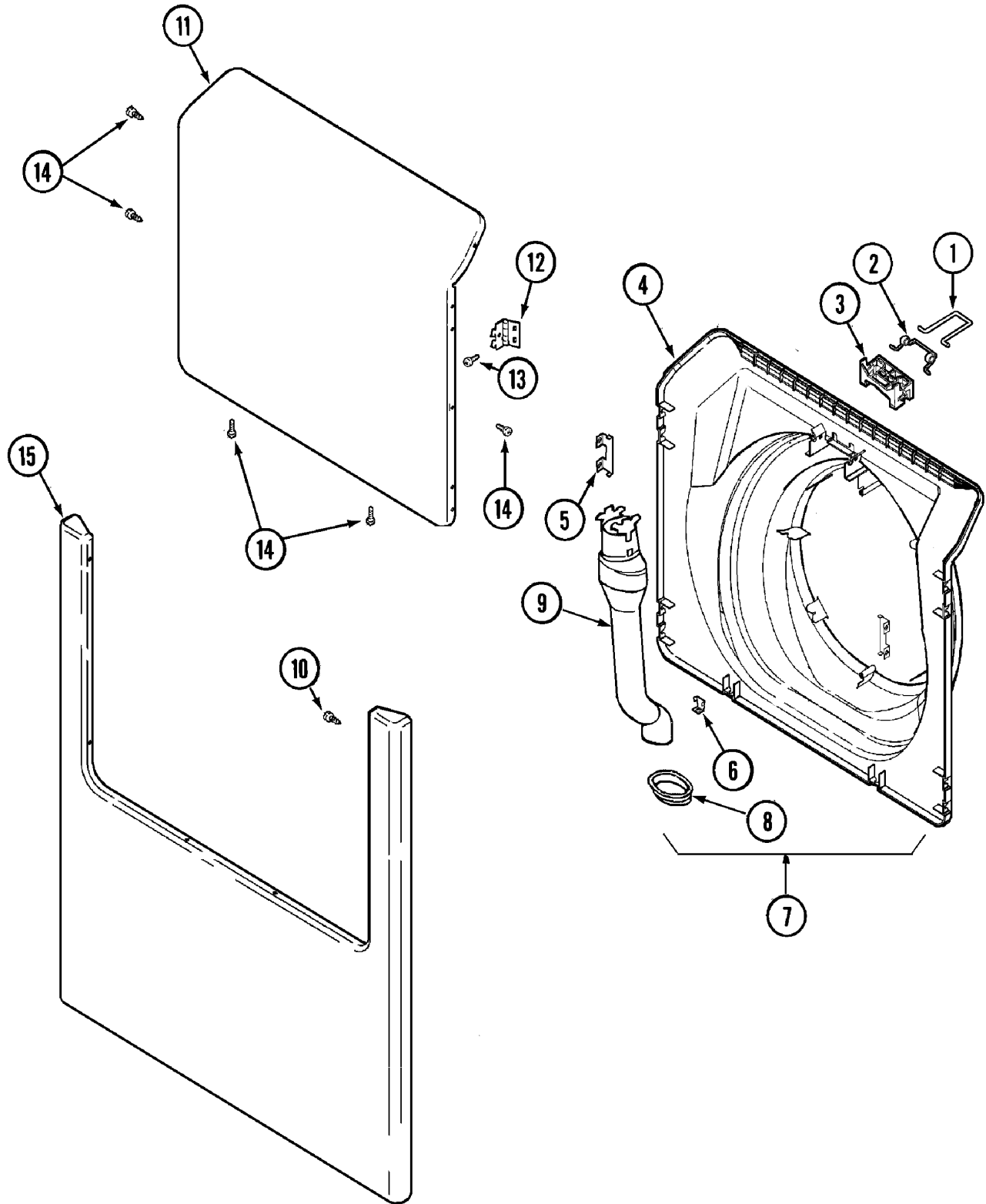
Section: DOOR SHROUD & DOOR LATCH ASSEMBLY

No.	Part No.	Description	Series	Qty
1	N 22003466	LATCH, ASSY. (DOM/COMMERCIAL)	10	1
2	22002506	SHROUD/DISPENSER HOSE ASSY. Note: SHROUD & DISPENSER HOSE (WHT)	10	1
3	22003842	BLEACH HOSE	10	1
4	22003843	FABRIC SOFTENER HOSE	10	1
5	205161	CLAMP - 15/16"	10	2
6	33001764	COVER, HINGE HOLE (WHT)	10	2
-	33002196	GRATE, OVERFLOW (RT)	10	1
7	33002195	GRATE, OVERFLOW (LT)	10	1
8	33002197	CUP, BLEACH DISPENSER	10	1
9	33002198	CUP, FABRIC SOFTENER DISPENSER	10	1
10	33002199	SPOUT, DISPENSER FILL	10	2
11	33002200	CAP, BLEACH DISPENSER	10	1
12	33002201	CAP, FABRIC SOFTENER	10	1
13	33002204	SCREEN, BLEACH CUP	10	1
-	22003653	RETAINER, DISPENSER HOSE	10	1
-	22002436	SCREW	10	1
14	33002205	RETAINER, BLEACH CUP	10	1
15	33002206	FASTENER, J TYPE	10	2

*Color Code (-)=Not Shown #=Series, Serial Prefix or Run No., N=Not Available

Section: DOOR & FRONT PANEL (WASHER)

Model: MLG19PNAWW



CW10-62

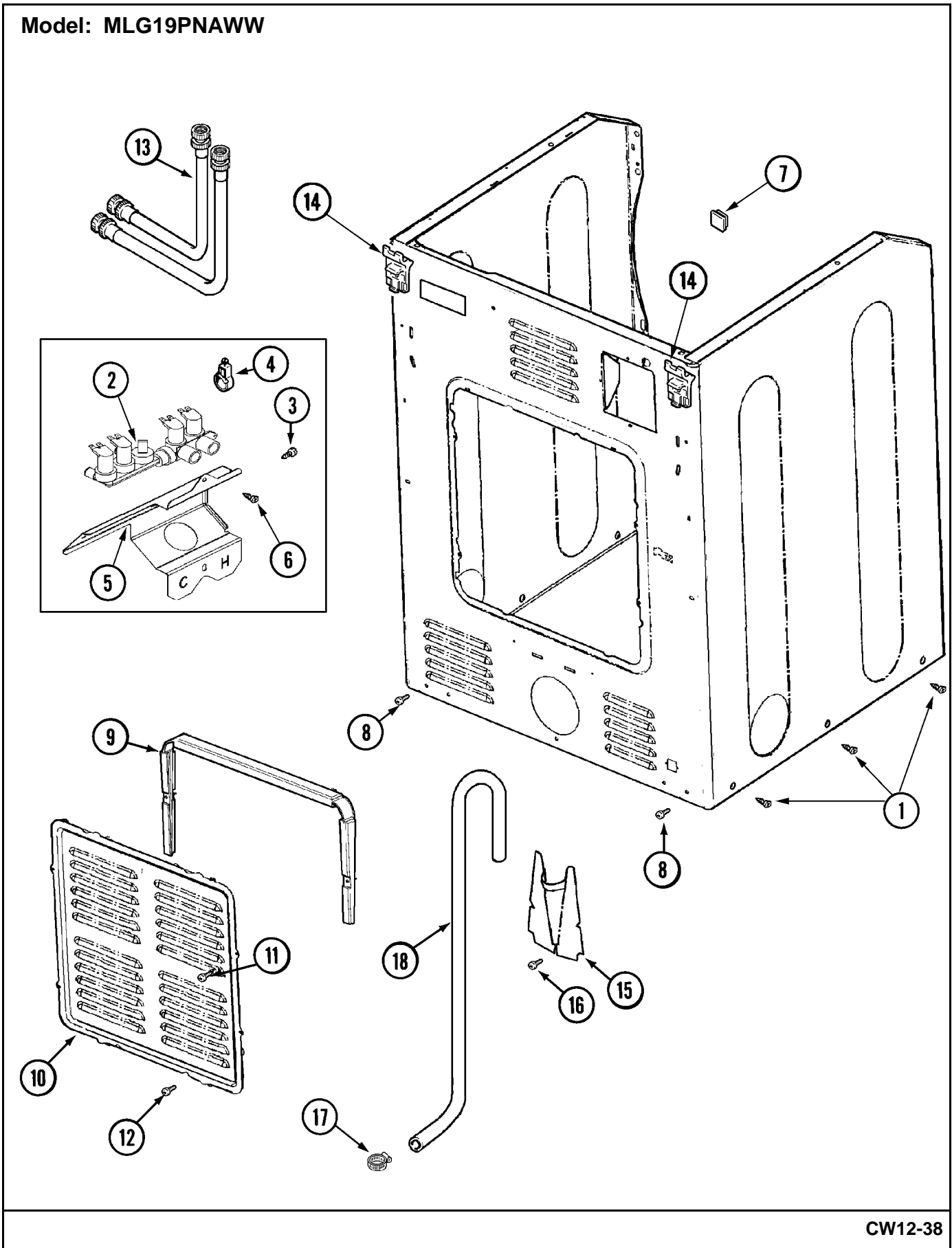
Section: DOOR & FRONT PANEL (WASHER)

No.	Part No.	Description	Series	Qty
1	22003222	HOOP, LOCK	10	1
2	22002003	SPRING, LATCH	10	1
3	22002168	SUPPORT, LOCK HOOP	10	1
4	22003800	INNER DOOR/VENTED (ASPK-WHT)	10	1
5	22002038	CLIP, DOOR (DOUBLE)	10	4
6	22002039	CLIP, DOOR (SINGLE)	10	2
7	22003083	LINER, DOOR ASSY W/VENT (WHT)	10	1
8	22003075	GROMMET, VENT TUBE	10	1
9	22003576	VENT TUBE ASSY.	10	1
10	22002012	SCREW, HINGE	10	4
11	22001979	DOOR, OUTER (WHT-W/DAMPER)	10	1
12	22002798	HINGE, DOOR	10	2
13	22002062	SCREW	10	1
14	22002063	SCREW #8-18AB WAFER HD	10	6
15	22002241	PANEL, FRONT (WHT)	10	1

*Color Code (-)=Not Shown #=Series, Serial Prefix or Run No., N=Not Available

Section: CABINET-REAR (WASHER)

Model: MLG19PNAWW



CW12-38

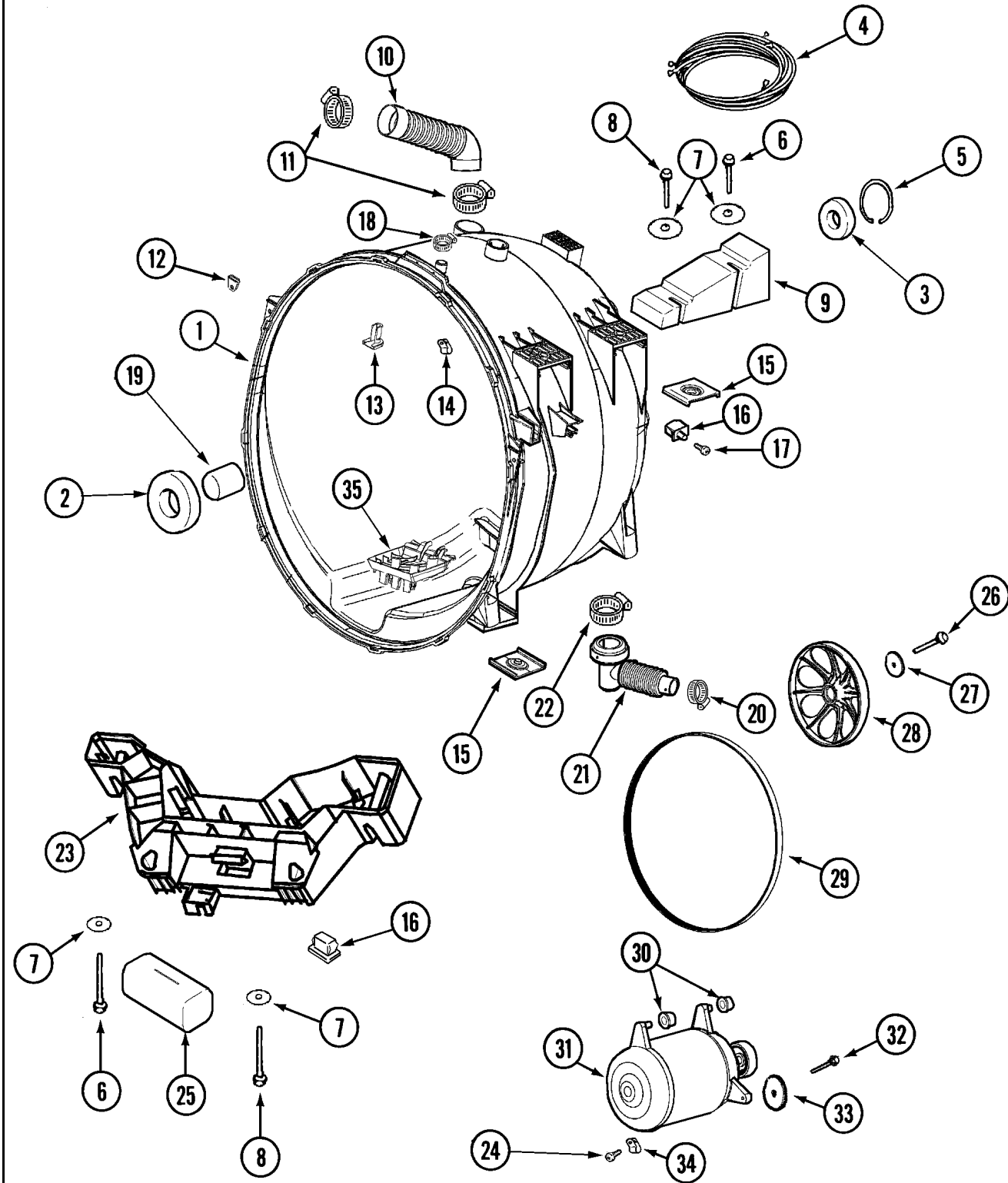
Section: CABINET-REAR (WASHER)

No.	Part No.	Description	Series	Qty
1	213007	SCREW, CABINET Note: SCREW, CABINET TO BASE	10	2
2	33002211	VALVE, WATER	10	1
3	22002436	SCREW Note: SCREW, WATER VALVE	10	1
4	205161	CLAMP - 15/16" Note: CLAMP, WATER VALVE	10	3
5	33002212	BRACKET, WATER VALVE	10	1
6	22002925	SCREW Note: SCREW, WATER VALVE BRACKET	10	2
7	N 215950	PLUG, HOLE	10	1
8	22001995	SCREW Note: SCREW, CABINET	10	2
9	22002022	SPACER, ACCESS PANEL	10	1
10	22002092	PANEL, ACCESS	10	1
11	22002295	SCREW Note: SCREW, ACCESS PANEL SPACER	10	2
12	22002925	SCREW Note: SCREW, ACCESS PANEL	10	2
-	Y013783	GASKET, INLET HOSE	10	2
13	22003839	INLET HOSE - VENUS - HOT	10	1
14	22002798	HINGE, DOOR	10	2
-	22001995	SCREW Note: SCREW, HINGE	10	6
15	22002704	COVER, DRAIN HOSE	10	1
16	22001995	SCREW Note: SCREW, DRAIN HOSE COVER	10	1
17	22001984	CLAMP, DRAIN HOSE	10	2
-	22002892	RETAINER, DRAIN HOSE	10	1
-	22002893	TIE, CABLE	10	1
-	22003319	HOSE, DRAIN (CORR)(80 1/2")	10	1
18	12001807	KIT NC, DRAIN HOSE REPLACEMENT Note: DRAIN HOSE KIT (CORRUGATED) (INCLUDES THE FOLLOWING PARTS)	10	1

*Color Code (-)=Not Shown #=Series, Serial Prefix or Run No., N=Not Available

Section: OUTER TUB & MOTOR (WASHER)

Model: MLG19PNAWW



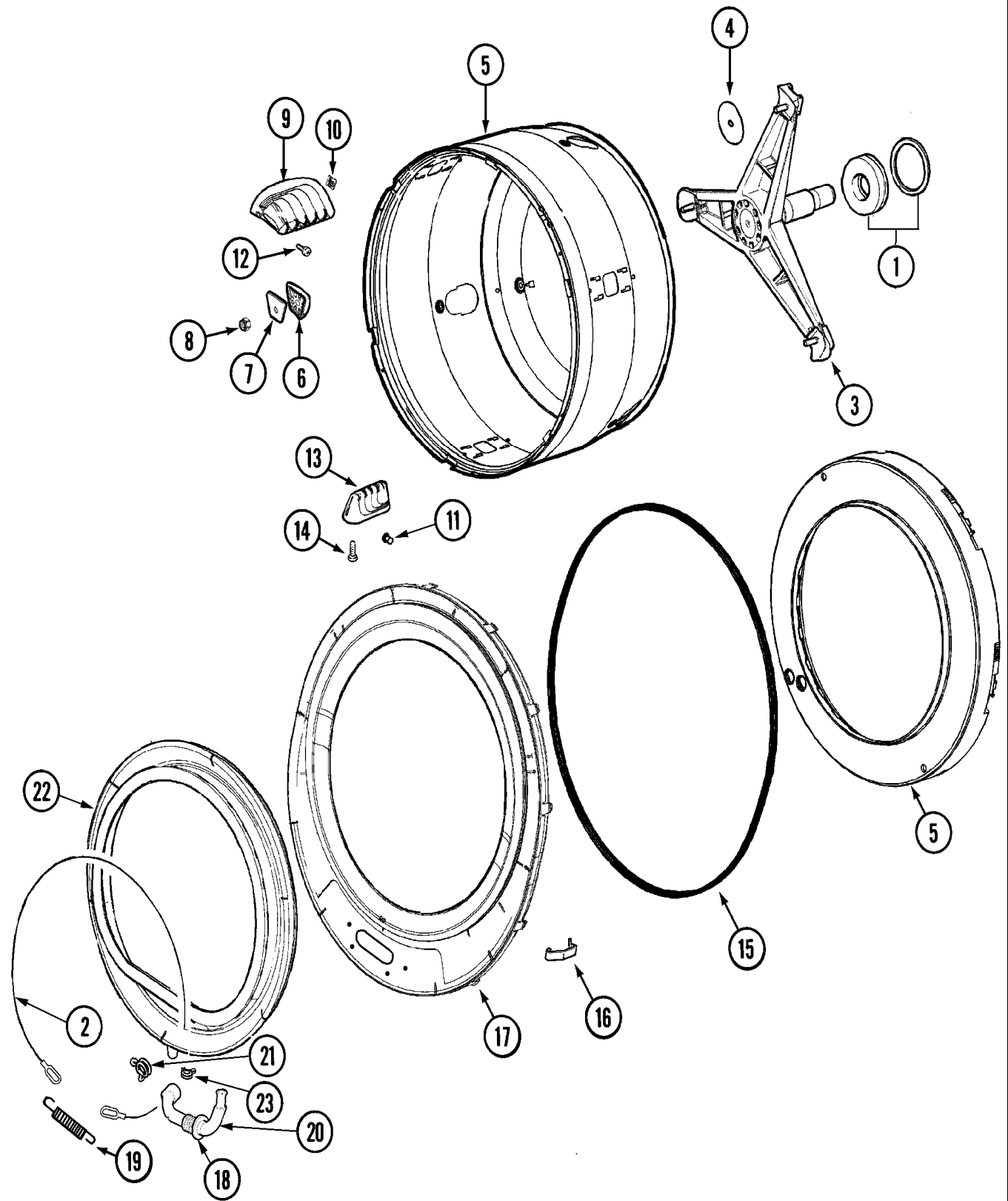
Section: OUTER TUB & MOTOR (WASHER)

No.	Part No.	Description	Series	Qty
-	22002006	CLIP Note: CLIP, UNBALANCE SWITCH (ATTACHED TO OUTER TUB)	10	2
1	22003413	OUTER TUB ASSY.(NC AS PACKED) Note: OUTER TUB ASSEMBLY	10	1
2	22002934	BEARING, FRONT	10	1
3	22003441	BEARING, REAR	10	1
4	22004047	HARNESS, MOTOR/MOTOR CONTROL	71	1
-	22003290	JUMPER, WIRE	10	1
4	33002216	WIRE HARNESS, UNBALANCE /COMM	10	1
5	N 22001981	RING, RETAINING	10	1
6	22003616	BOLT, DOUBLE SEMS 3-3/8 Note: BOLT (LONG)	10	2
7	N 22002067	WASHER, COUNTER BALANCE	10	4
8	22003616	BOLT, DOUBLE SEMS 3-3/8 Note: BOLT (SHORT)	10	2
9	22002102	WEIGHT, COUNTER BALANCE	10	1
10	22002083	HOSE, INJECTOR	10	1
11	22002052	CLAMP, INJECTOR HOSE	10	2
12	22002103	CLIP, U Note: CLIP, U	10	2
13	22002959	DEFLECTOR, WATER	10	1
-	22002061	SCREW	10	1
14	22002006	CLIP Note: CLIP, WIRE HARNESS & OUTER TUB	10	2
15	22002065	NUT, COUNTER BALANCE	10	2
16	22002044	SWITCH, TUB DISPLACEMENT	10	2
17	22002061	SCREW Note: SCREW, DISPLACEMENT SWITCH	10	1
18	202515	HOSE CLAMP - 1-1/16 INCH Note: CLAMP, HOSE	10	1
19	22002935	SPACER, BEARING	10	1
20	22001984	CLAMP, DRAIN HOSE	10	1
21	22003262	HOSE, TUB TO PUMP	10	1
22	22002053	CLAMP, SUMP HOSE	10	1
23	22002579	FRONT WEIGHT BRACKET Note: WEIGHT ASSEMBLY (FRT)	10	1
24	22002019	SCREW Note: SCREW, WIRE HARNESS CLIP	10	1
25	22003225	CUSHION	10	1
26	22002057	SCREW, SPINNER	10	1
-	22003936	WASHER (1 1/4")	13	1
27	22002055	WASHER, SPINNER SHAFT	10	1
28	22002315	PULLEY, SPINNER	10	1
29	22002313	BELT, DRIVE	10	1
30	22003329	ISOLATOR, MOTOR	10	2
31	22003856	MOTOR, VARIABLE SPEED	71	1
31	22003685	MOTOR, SR 60HZ-120V	10	1
32	22003686	BOLT, MOTOR	10	1
33	22002320	WASHER, STRUT Note: WASHER, BELT TENSION BOLT	10	1
34	22002014	CLIP Note: CLIP, WIRE HARNESS	10	1
35	22003710	SUMP CAP W/ LABYRINTH FEATURE	10	1
-	22002059	SCREW	10	2

*Color Code (-)=Not Shown #=Series, Serial Prefix or Run No., N=Not Available

Section: SPINNER ASSEMBLY & OUTER TUB COVER(WASH)

Model: MLG19PNAWW



LW13-42

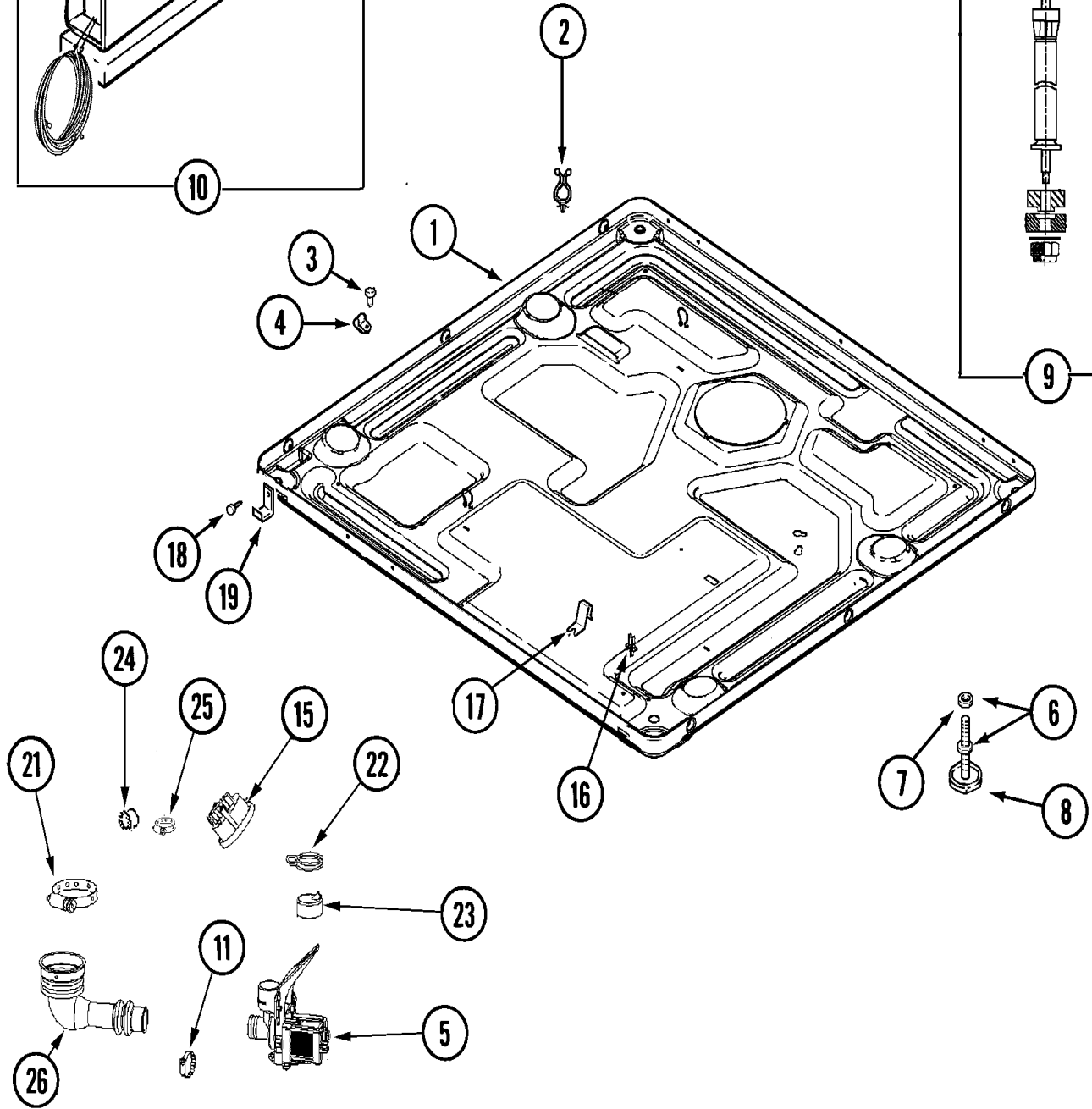
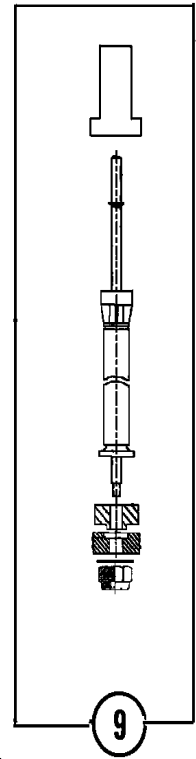
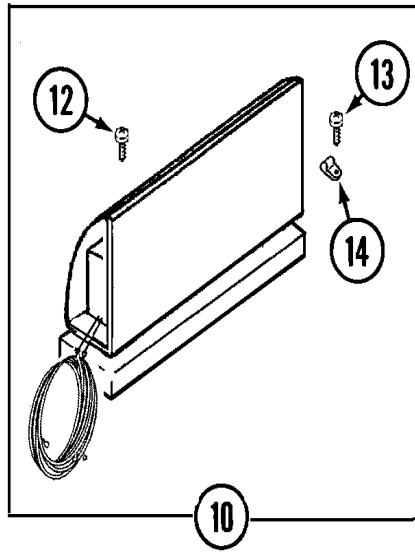
Section: SPINNER ASSEMBLY & OUTER TUB COVER(

No.	Part No.	Description	Series	Qty
1	12001478	LIP SEAL SVC ASSY. Note: LIP SEAL SERVICE ASSEMBLY	10	1
2	22002327	BOOT CABLE CLAMP	10	1
-	22002123	TUBE, MOLYKOTE	10	1
-	22003925	SPINNER SUPPORT ASSY AS PACK	13	1
3	22002897	SUPPORT ASSY., SPINNER	10	1
4	22002023	WASHER, PLASTIC	10	3
5	22003549	SPINNER ASSY. (W/BALANCE RING)	10	1
6	22002482	WASHER, PROFILE	10	3
7	22002020	WASHER, SPINNER SUPPORT	10	3
8	22002122	NUT, SPINNER ATTACHMENT	10	3
9	22001985	BAFFLE, DRIP (REAR)	10	3
10	22002009	GROMMET, BAFFLE (REAR)	10	3
11	22001999	GROMMET, BAFFLE (FRT)	10	3
12	22002556	HOSE, SHOWER Note: SCREW, BAFFLE (REAR)	10	6
13	22001986	BAFFLE, DRIP (FRONT)	10	3
14	22002059	SCREW Note: SCREW, BAFFLE (FRONT)	10	6
15	22002077	SEAL, TUB COVER	10	1
16	22002050	CLIP, TUB TO COVER	10	13
-	22004254	COVER, TUB W/SEAL&CAPS ASPK	26	1
17	N 22003812	TUB COVER/BRUSH ASSEMBLY	10	1
18	22003074	GUARD, HOSE	10	1
19	22002099	SPRING, TUB	10	1
20	22003071	DOOR BOOT DRAIN HOSE	10	1
21	22003072	CLAMP, HOSE DOUBLE WIRE	10	1
22	22003070	DOOR BOOT W/DRAIN (GRAY)	10	1
23	22003073	CLAMP, HOSE DOUBLE WIRE	10	1

*Color Code (-)=Not Shown #=Series, Serial Prefix or Run No., N=Not Available

Section: BASE & MOTOR CONTROL (WASHER)

Model: MLG19PNAWW



CW19-27

Section: BASE & MOTOR CONTROL (WASHER)

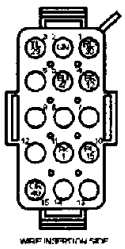
No.	Part No.	Description	Series	Qty
1	22003605	BASE WELD ASSEMBLY	10	1
2	33001989	RETAINER, WIRE	10	1
2	22003298	RETAINER, WIRE Note: RETAINER, WIRE	10	2
3	N 313561	SCREW----NA Note: SCREW, WIRE HARNESS CLIP	10	1
4	22002014	CLIP Note: CLIP, WIRE HARNESS	10	1
5	22003244	PUMP	10	1
6	22001915	ADJUSTABLE LEG & NUT	10	4
7	Y052740	NUT Note: NUT, LEG	10	4
8	210684	FOOT, RUBBER	10	4
9	22001988	STRUT ASSY-REAR	10	1
10	22004046	CONTROL ASSY., MOTOR	10	1
11	22001984	CLAMP, DRAIN HOSE	10	1
12	310632	SCREW Note: SCREW, MOTOR CONTROL BRACKET	10	2
13	N 313561	SCREW----NA Note: SCREW, WIRE HARNESS CLIP	10	1
14	22002014	CLIP Note: CLIP, WIRE HARNESS	10	1
-	N 22003265	BAG, PLASTIC W/DRAWSTRING	10	1
15	22003728	SWITCH, PRESSURE	10	1
16	22003298	RETAINER, WIRE	10	3
17	22002244	CLIP, GROUNDING	10	1
18	33002190	SCREW (#10-3/8") Note: SCREW, CLIP	10	2
19	22002239	CLIP, LOWER FRONT PANEL	10	2
20	33002222	DEFLECTOR, WATER Note: (ON LEFT STRUT ONLY)	10	1
21	22002853	CLAMP, HOSE	10	1
22	22002853	CLAMP, HOSE	10	1
23	22003268	CAP, RUBBER	10	1
24	22003261	PLUG, OUTER TUB	10	1
25	22003295	CLAMP, HOSE DOUBLE WIRE	10	1
26	22003262	HOSE, TUB TO PUMP	10	1
-	22003263	SCREW	10	1

*Color Code (-)=Not Shown #=Series, Serial Prefix or Run No., N=Not Available

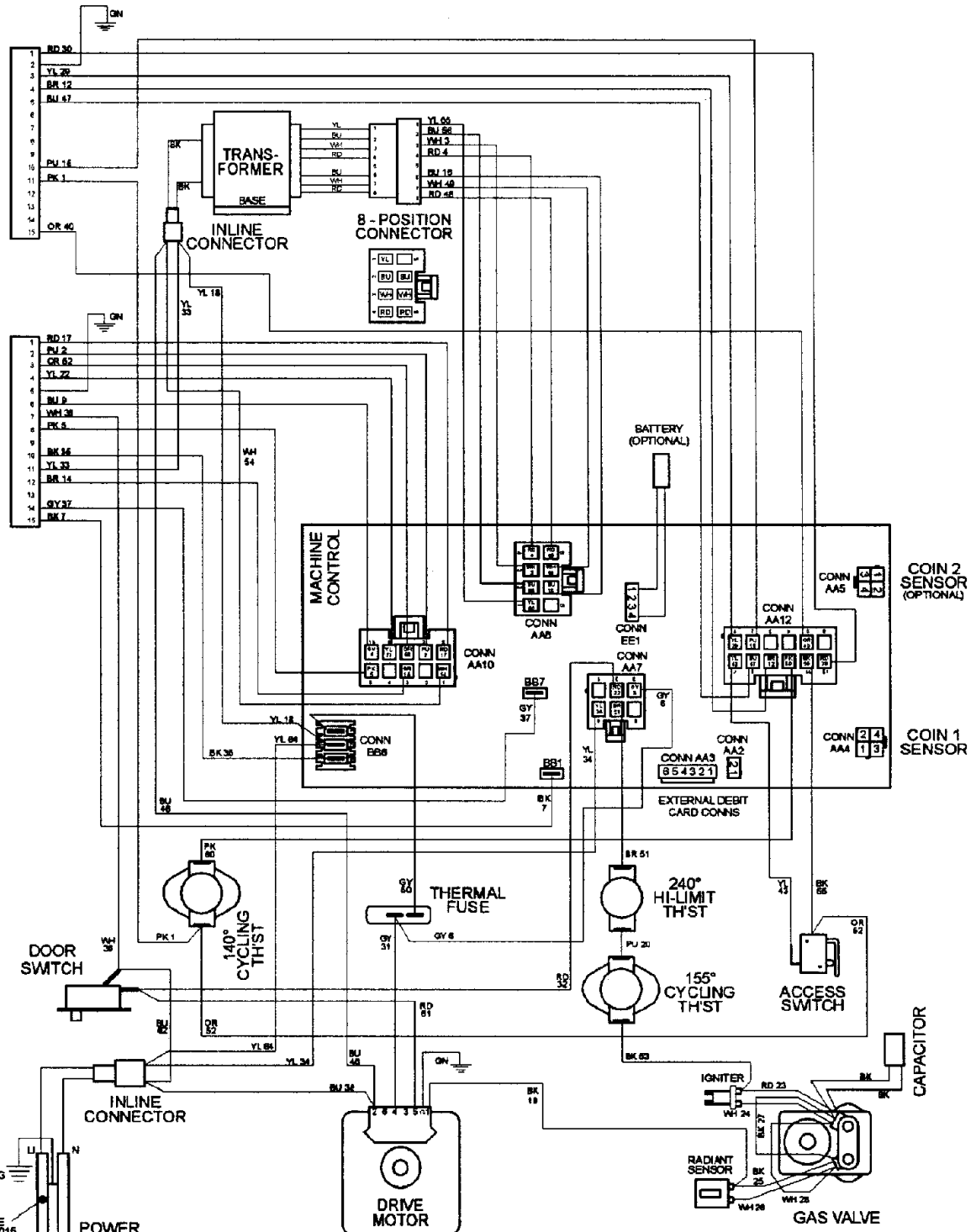
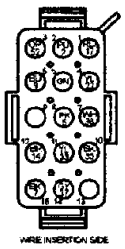
Section: WIRING INFORMATION

Model: MLG19PNAWW

UPPER INTERCONNECT PLUG (RH)



UPPER INTERCONNECT PLUG (LH)



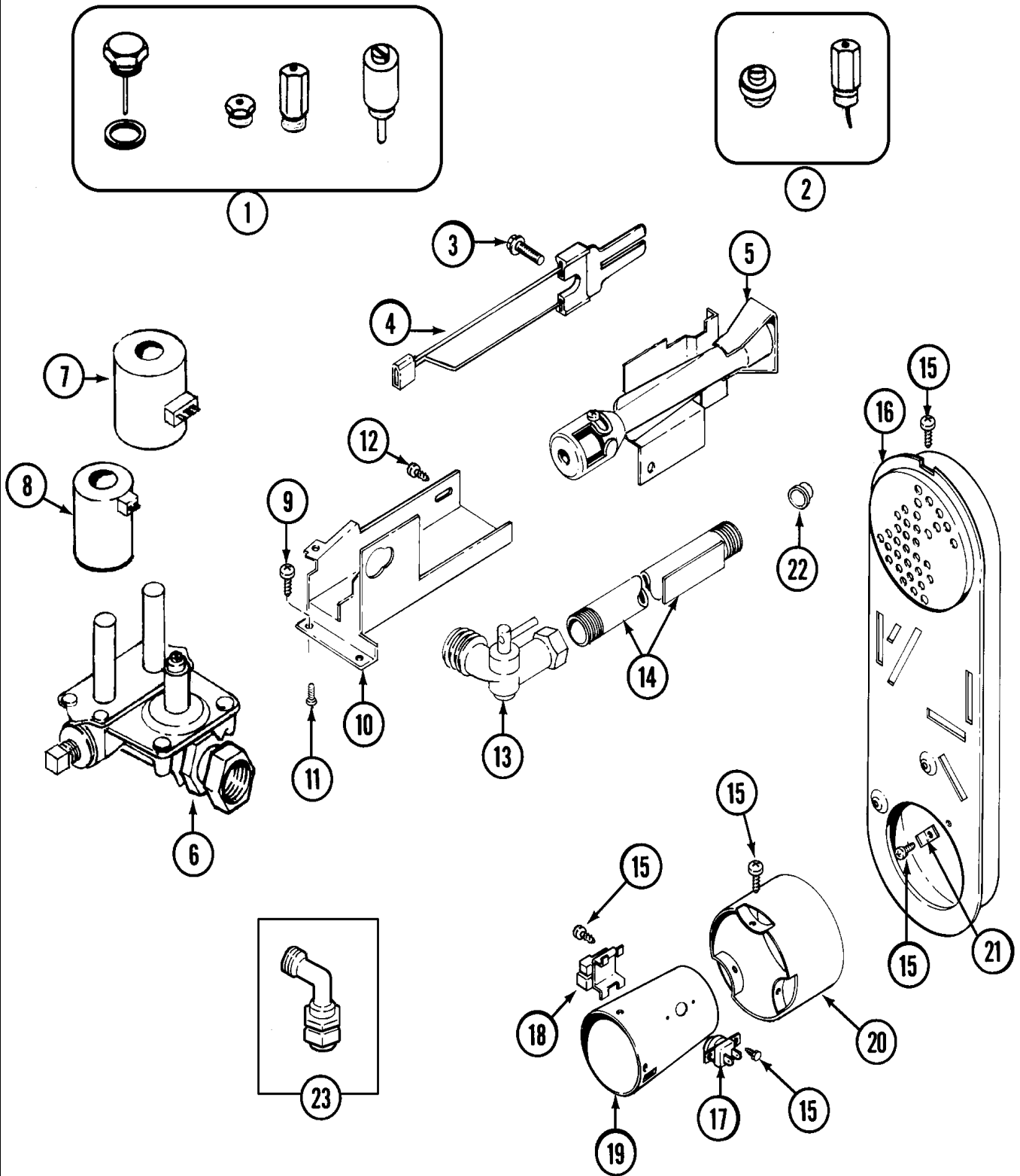
UPPER DRYER
WIRING CONNECTION DIAGRAM

MODEL
MUG19PRAWW

15002489

Section: GAS VALVE (DRYER)

Model: MLG19PNAWW



LD16-10

Section: GAS VALVE (DRYER)

No.	Part No.	Description	Series	Qty
1	306195	CONVERSION KIT (NATURAL TO LP)	10	1
3	304971	SCREW Note: SCREW, IGNITER	10	1
4	304970	IGNITER ASSY, GAS VALVE	10	1
-	33002789	IGNITER ASSEMBLY	24	1
5	33002793	BURNER ASSEMBLY	19	1
5	33001247	BURNER ASSY.	10	1
6	308345	VALVE, GAS	10	1
-	33002056	PLUG, HOLE	10	1
7	306106	COIL, HOLDING & BOOSTER	10	1
8	306105	COIL, SECONDARY	10	1
9	N 313561	SCREW----NA Note: SCREW, GAS VALVE	10	2
10	N 33002055	BRACKET, GAS VALVE----NA	10	1
11	314082	SCREW Note: SCREW, GAS VALVE	10	2
12	22001995	SCREW Note: SCREW, GAS VALVE	10	1
13	306086	ANGLE SHUT OFF FOR GAS VALV Note: VALVE, ANGLE GAS	10	1
14	33001735	PIPE & BRACKET ASSY.	10	1
15	211294	SCREW Note: SCREW, DUCT	10	9
16	33001810	DUCT ASSY., INLET (GAS) Note: INLET DUCT ASSEMBLY	10	1
17	305169	THERMOSTAT, HI-LIMIT GAS	10	1
18	303377	SENSOR, RADIANT	10	1
19	33001835	CONE ASSY., COMBUSTION	10	1
20	Y303841	CONE, EXTENSION (COMBUSTION)	10	1
21	Y312890	RETAINER, HEATER CHAMBER	10	1
22	33001693	CAP, GAS PIPE	10	1
23	33002236	ANGLE CONNECTOR ASSY.	10	1

*Color Code (-)=Not Shown #=Series, Serial Prefix or Run No., N=Not Available

