

## STACK LAUNDRY

# Repair Parts List

MODEL NUMBER  
MLG19PNDWW

When requesting service or ordering parts, always provide the following information:

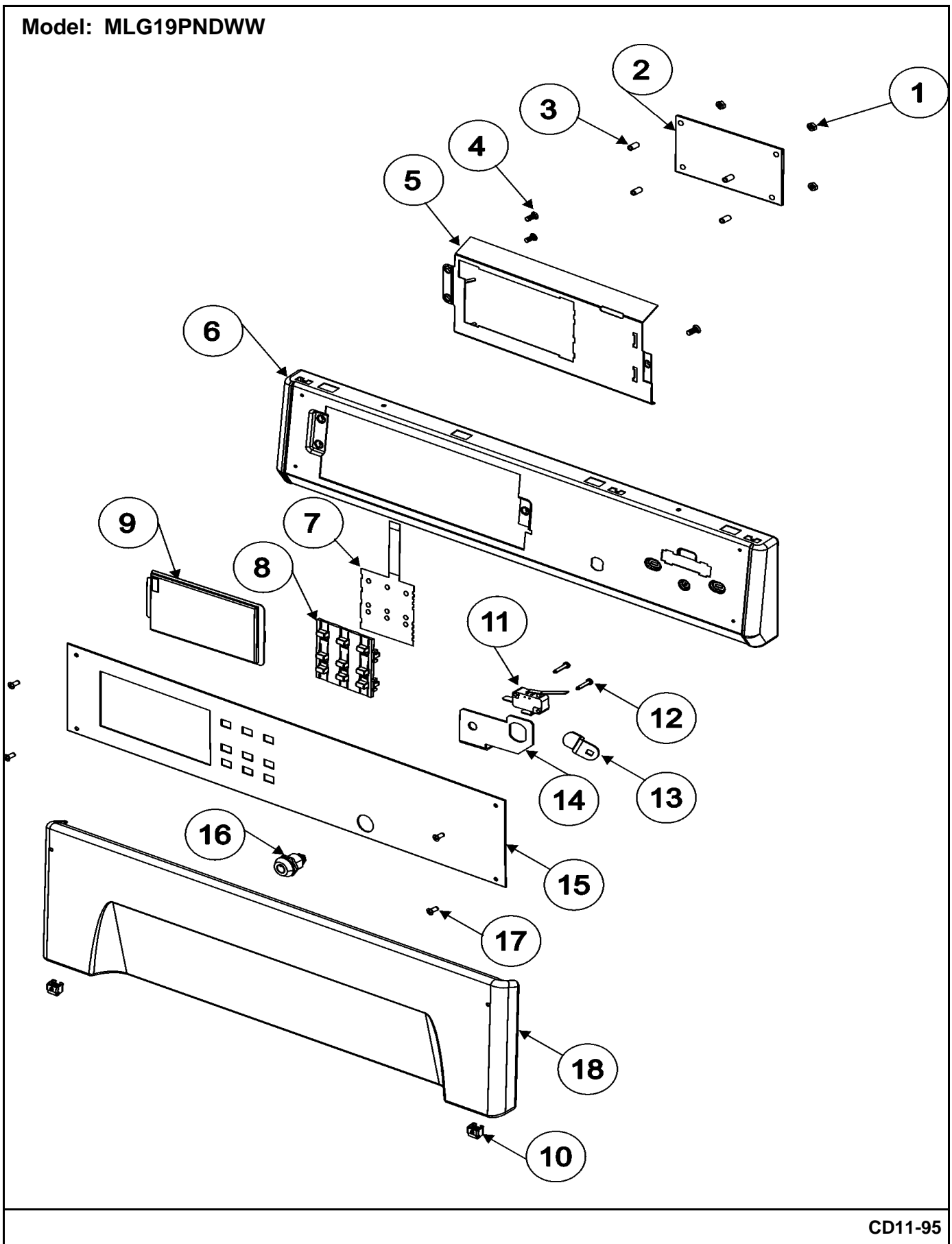
- Product Type
- Part Number
- Model Number
- Part Description

**MAYTAG**®

©2005 Maytag Services

Section: CONTROL PANEL (DRYER)

Model: MLG19PNDWW



CD11-95

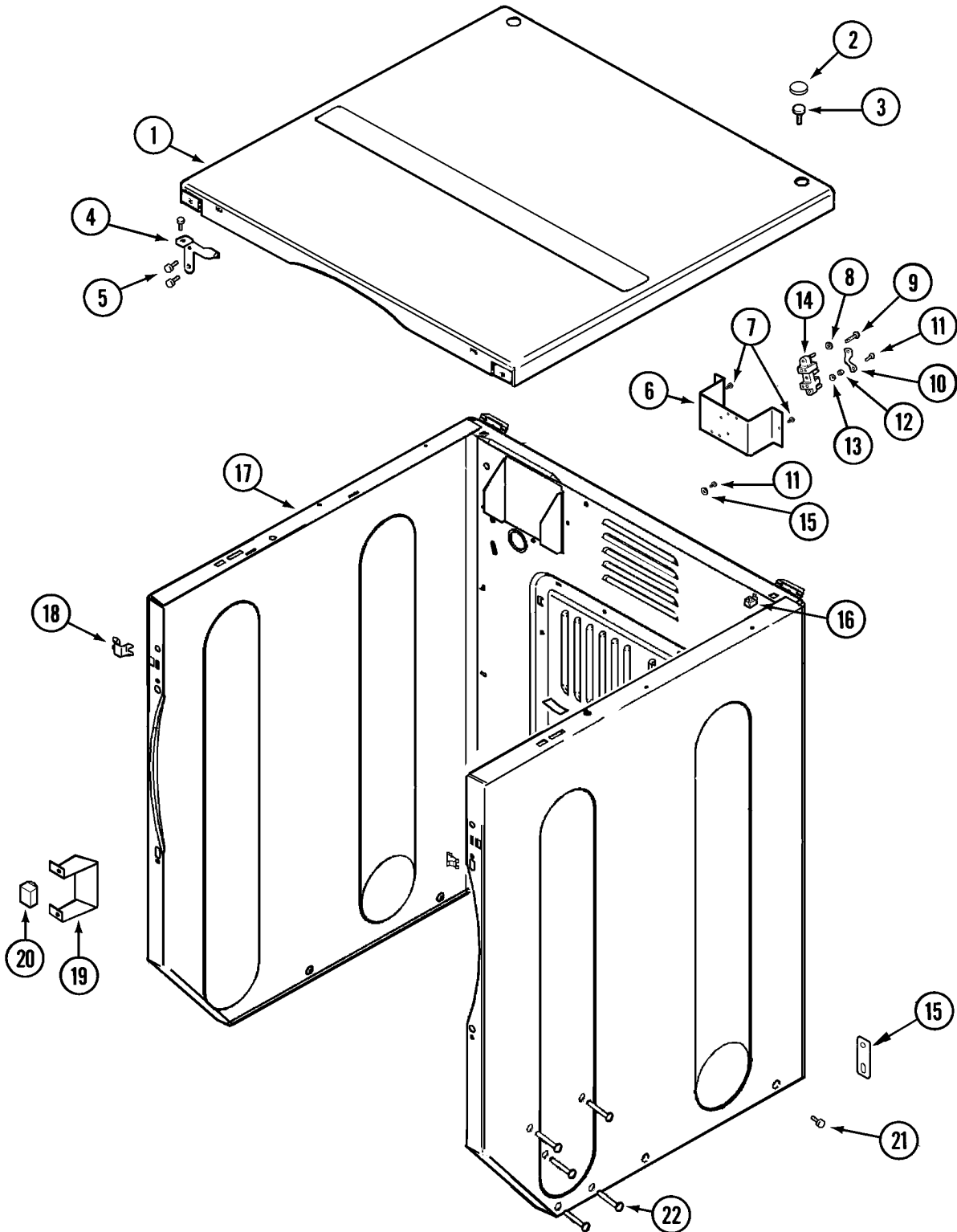
## Section: CONTROL PANEL (DRYER)

No.	Part No.	Description	Series	Qty
1	33002156	LOCKNUT, WASHERED	11	1
2	33002359	BOARD, CONTROL SUB	11	1
3	33001204	STANDOFF, CIRCUIT BOARD	11	4
4	Y314062	SCREW	11	3
5	33002155	PLATE, CONTROL MOUNTING	11	1
6	33002264	PANEL, CONTROL	11	1
7	33002152	SWITCH, MEMBRANE	11	1
8	33002178	SWITCH, PUSH BUTTON	11	1
9	33002150	COVER, DISPLAY	11	1
10	33002004	CLIP, FASTENER	11	2
11	33002117	SWITCH, SENSOR	11	1
12	22002368	SCREW----NA	11	2
13	213750	LOCKING CAM	11	1
14	33001982	BRACKET, SWITCH MOUNTING	11	1
15	33002962	FACIA, COMMERCIAL W/D - PN	11	1
16	Y206081	LOCK FOR ACCESS DOOR	11	1
17	215506	SCREW, TORX	11	4
18	33002072	PANEL, ACCESS (WHT)	11	1
-	22003858	EMI SUPPRESSION FILTER, 16A	11	1
-	33001981	WIRE, GROUND	11	1
-	22002782	PAD, FOAM (SOUND DAMPENER)	11	1

\*Color Code (-)=Not Shown #=Series, Serial Prefix or Run No., N=Not Available

Section: CABINET-FRONT (DRYER)

Model: MLG19PNDWW



CD21-79

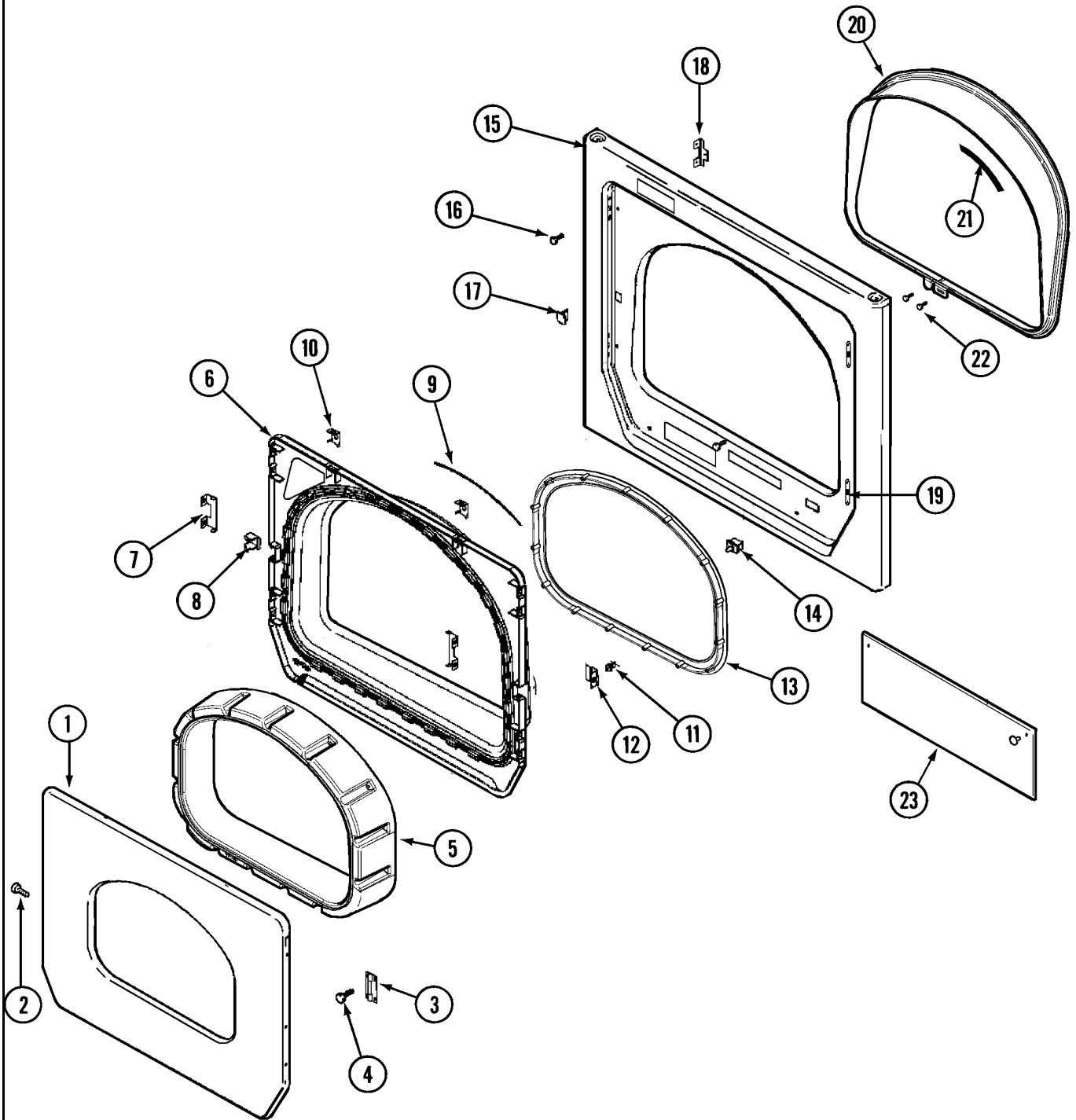
## Section: CABINET-FRONT (DRYER)

No.	Part No.	Description	Series	Qty
1	33002124	COVER, TOP (WHT)	11	1
2	33001997	PLUG, HOLE	11	2
3	22001883	SCREW Note: SCREW, TOP COVER	11	2
4	33001999	BRACKET, TOP COVER (RT)	11	1
4	33001998	BRACKET, TOP COVER (LT)	11	1
5	22001995	SCREW Note: SCREW, TOP COVER BRACKET	11	6
6	N 33001826	BRACKET, TERMINAL BLOCK----NA	11	1
7	22001995	SCREW Note: SCREW, TERMINAL BLOCK BRACKET	11	2
8	Y311270	WASHER, TERMINAL BLOCK	11	3
9	Y312209	SCREW, #10-24 X 3/4 INCH----O Note: SCREW, TERMINAL BLOCK	11	3
10	Y312184	STRAP, GROUND	11	1
11	N 33001245	SCREW----NA Note: SCREW, GROUND STRAP	11	1
12	311484	NUT, TERMINAL BLOCK	11	3
13	311093	WASHER, 7/32 INCH Note: WASHER, BRASS	11	6
-	315471	RETAINER, WIRE	11	1
-	33002182	BRACKET, TERMINAL BLOCK	11	1
14	33001244	BLOCK, TERMINAL	11	1
-	N 33001245	SCREW----NA Note: SCREW, TERMINAL BLOCK	11	2
15	33002060	BRACKET, SECURITY	11	2
16	22001502	FASTENER, U-NUT	11	2
17	N 33002811	CABINET UPPER(WHT) AS PACK--NA	11	1
18	33002004	CLIP, FASTENER	11	2
21	213007	SCREW, CABINET	11	6
22	33001991	BOLT, CARRIAGE	11	5

\*Color Code (-)=Not Shown #=Series, Serial Prefix or Run No., N=Not Available

Section: DOOR (DRYER)

Model: MLG19PNDWW



LD17-17

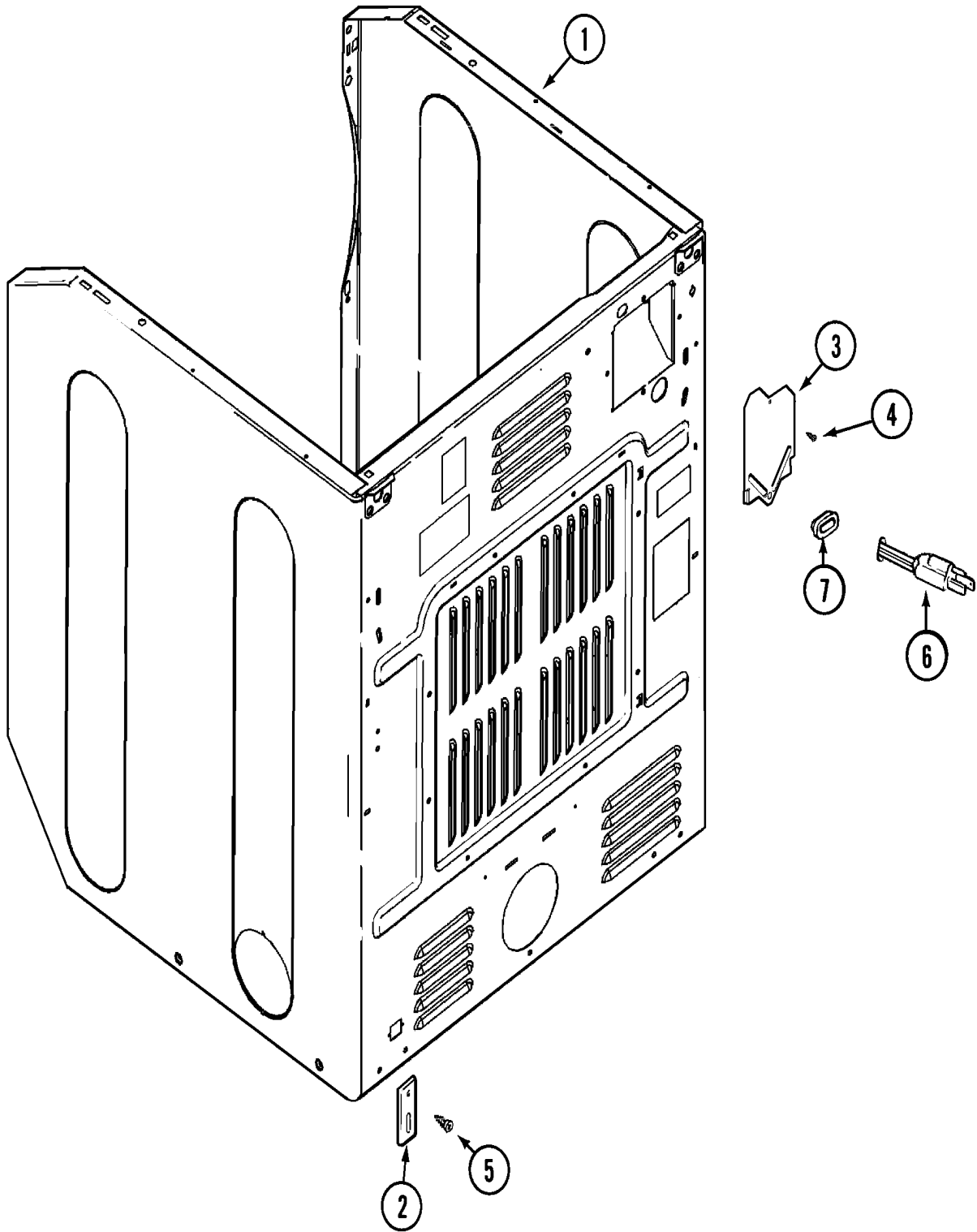
## Section: DOOR (DRYER)

No.	Part No.	Description	Series	Qty
1	33002015	DOOR, OUTER (WHT)	11	1
2	22002063	SCREW #8-18AB WAFER HD	11	8
3	33002017	HINGE, DOOR	11	2
4	22002062	SCREW Note: SCREW, HINGE	11	8
-	22002300	SCREW Note: SCREW, TUNNEL	11	15
5	33002780	DOOR TUNNEL W' HANDLE (WHT)	11	1
6	33002020	DOOR, INNER (WHT)	11	1
7	22002038	CLIP, DOOR (DOUBLE)	11	4
8	33001763	PLUG, INNER DOOR	11	1
9	33002094	SEAL, DOOR	11	1
10	22002039	CLIP, DOOR (SINGLE) Note: CLIP, INNER DOOR	11	2
11	33001761	STRIKE, DOOR (MALE)	11	1
12	33001793	BRACKET, STRIKE	11	1
13	33002607	LENS	11	1
14	33001509	SWITCH, DOOR Note: SWITCH, DOOR (UPR)	11	1
-	33002051	SCREW, TORX Note: SCREW, FRONT PANEL	11	2
15	33002081	PANEL, FRONT (WHT-UPR)	11	1
16	33001486	PANEL, FASTENER	11	4
17	33001791	CATCH, DOOR (W/PLUG)	11	1
18	33002025	TWIN SPEEDNUT	11	4
19	33001175	COVER, HINGE HOLE (WHT)	11	2
20	33002026	EXTENSION, TUMBLER FRONT	11	1
21	33001767	SEAL, SHROUD	11	1
22	33001855	SCREW (HEX HEAD) Note: SCREW, TUMBLER FRONT EXTENSION	11	2
23	33002183	SHIELD, CONTROL PANEL	11	1
-	33002048	FASTENER, PUSH	11	2

\*Color Code (-)=Not Shown #=Series, Serial Prefix or Run No., N=Not Available

Section: CABINET-REAR (DRYER)

Model: MLG19PNDWW



LD12-41



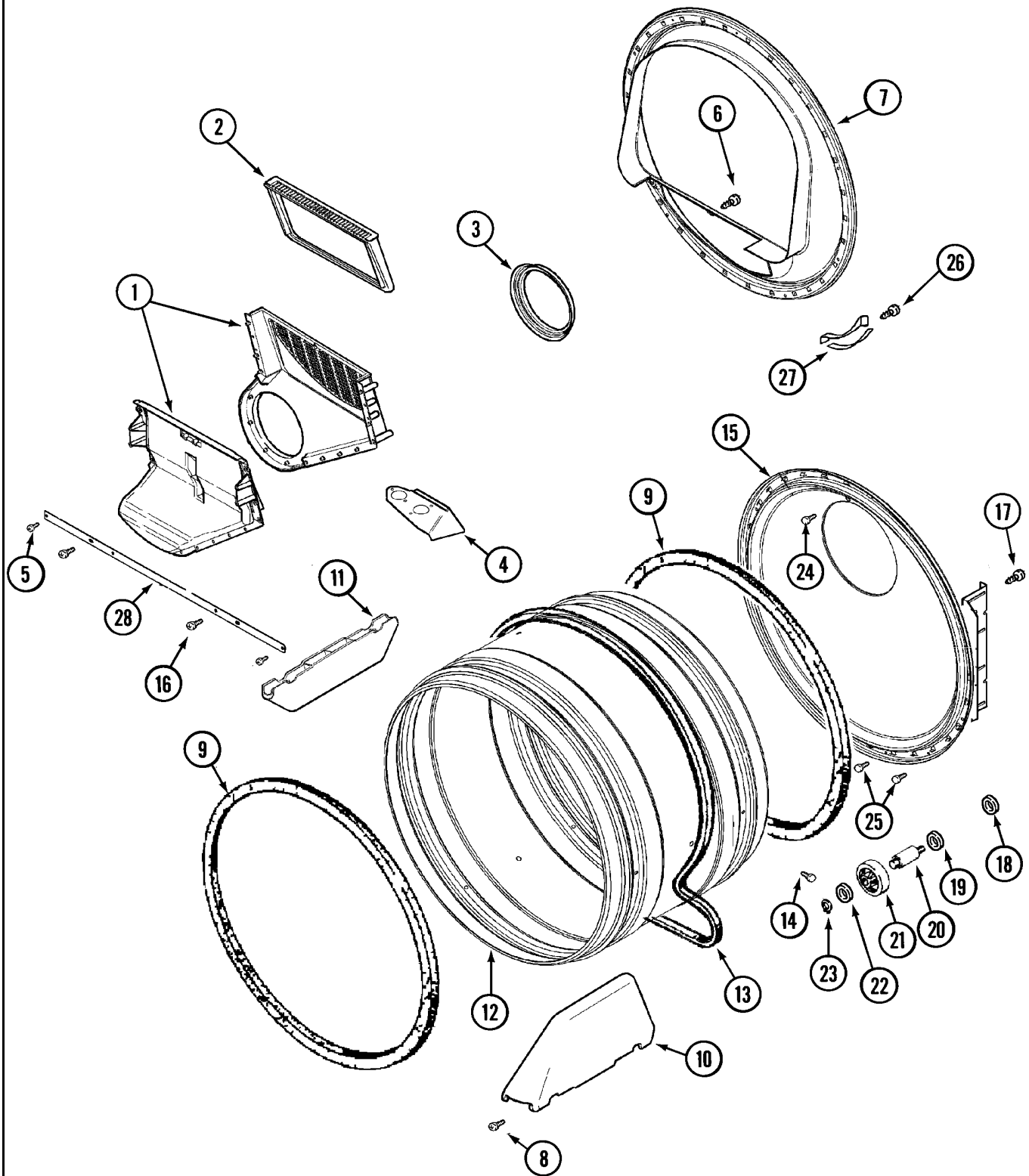
**Section: CABINET-REAR (DRYER)**

No.	Part No.	Description	Series	Qty
1	N 33002811	CABINET UPPER(WHT) AS PACK--NA Note: CABINET (WHT-UPR)	11	1
2	33002060	BRACKET, SECURITY	11	2
3	33001795	COVER, TERMINAL BLOCK	11	1
4	22001995	SCREW Note: SCREW, TERMINAL COVER	11	1
5	22001995	SCREW Note: SCREW, CABINET BACK	11	5
6	22003062	CORD, POWER (AS WRAPPED)	11	1
7	211881	GROMMET, CORD	11	1

\*Color Code (-)=Not Shown #=Series, Serial Prefix or Run No., N=Not Available

Section: TUMBLER (DRYER)

Model: MLG19PNDWW



LD13-35

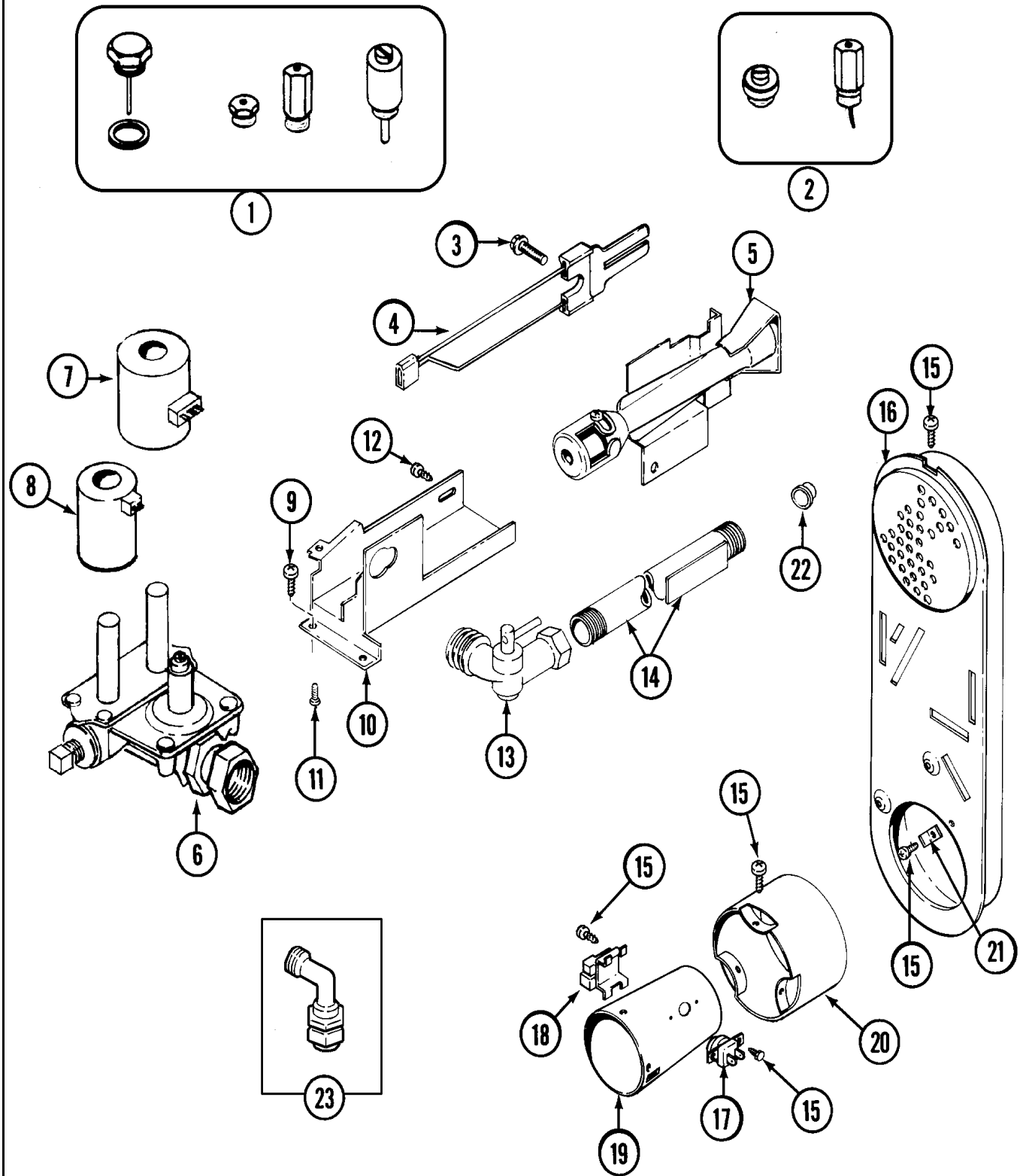
## Section: TUMBLER (DRYER)

No.	Part No.	Description	Series	Qty
1	33001799	OUTLET DUCT ASSEMBLY	11	1
2	33002790	LINT FILTER	11	1
3	33002560	SEAL, BLOWER	11	1
5	22001995	SCREW Note: SCREW, TUMBLER FRONT BRACE	11	2
6 N	312311	SCREW---NA Note: SCREW, OUTLET DUCT	11	1
7	33001802	FRONT, TUMBLER (W/SEAL)	11	1
8	33001855	SCREW (HEX HEAD) Note: SCREW, OUTLET DUCT	11	4
9	33001807	SEAL, TUMBLER	11	2
10	33002032	BAFFLE (TALL)	11	2
11	33001755	BAFFLE (SHORT)	11	1
12	33001794	TUMBLER	11	1
13	33002535	V-BELT (TUMBLER)	11	1
14	33001788	SCREW, BAFFLE	11	6
15	33003037	TUMBLER BACK & SEAL	17	1
15	33002779	TUMBLER BACK & SEAL AS-PACK	11	1
16	33001768	SCREW, SHROUD Note: SCREW, TUMBLER FRONT BRACE	11	2
17	22001995	SCREW Note: SCREW, TUMBLER BACK	11	4
18	33001443	NUT, HEX (ROLLER SHAFT)	11	2
19	Y313347	WASHER,SPRING(ROLLER SHAFT)--S	11	2
20	312948	SHAFT, TUMBLER ROLLER	11	2
21	Y303373	BEARING & ROLLER ASSEMBLY Note: ROLLER (W/BEARING)	11	2
22	312535	WASHER, ROLLER SHAFT	11	2
23	410233	RING, RETAINING	11	2
24	210932	SCREW, #8 X 9/16 CTSK Note: SCREW, INLET DUCT	11	1
25	22001996	SCREW Note: SCREW, INLET DUCT	11	2
26	210720	RIVET	11	4
27	306508	TUMBLER BEARING KIT ----W	11	2
28	33002039	BRACE, TUMBLER FRONT	11	1

\*Color Code (-)=Not Shown #=Series, Serial Prefix or Run No., N=Not Available

Section: GAS VALVE (DRYER)

Model: MLG19PNDWW



LD16-10

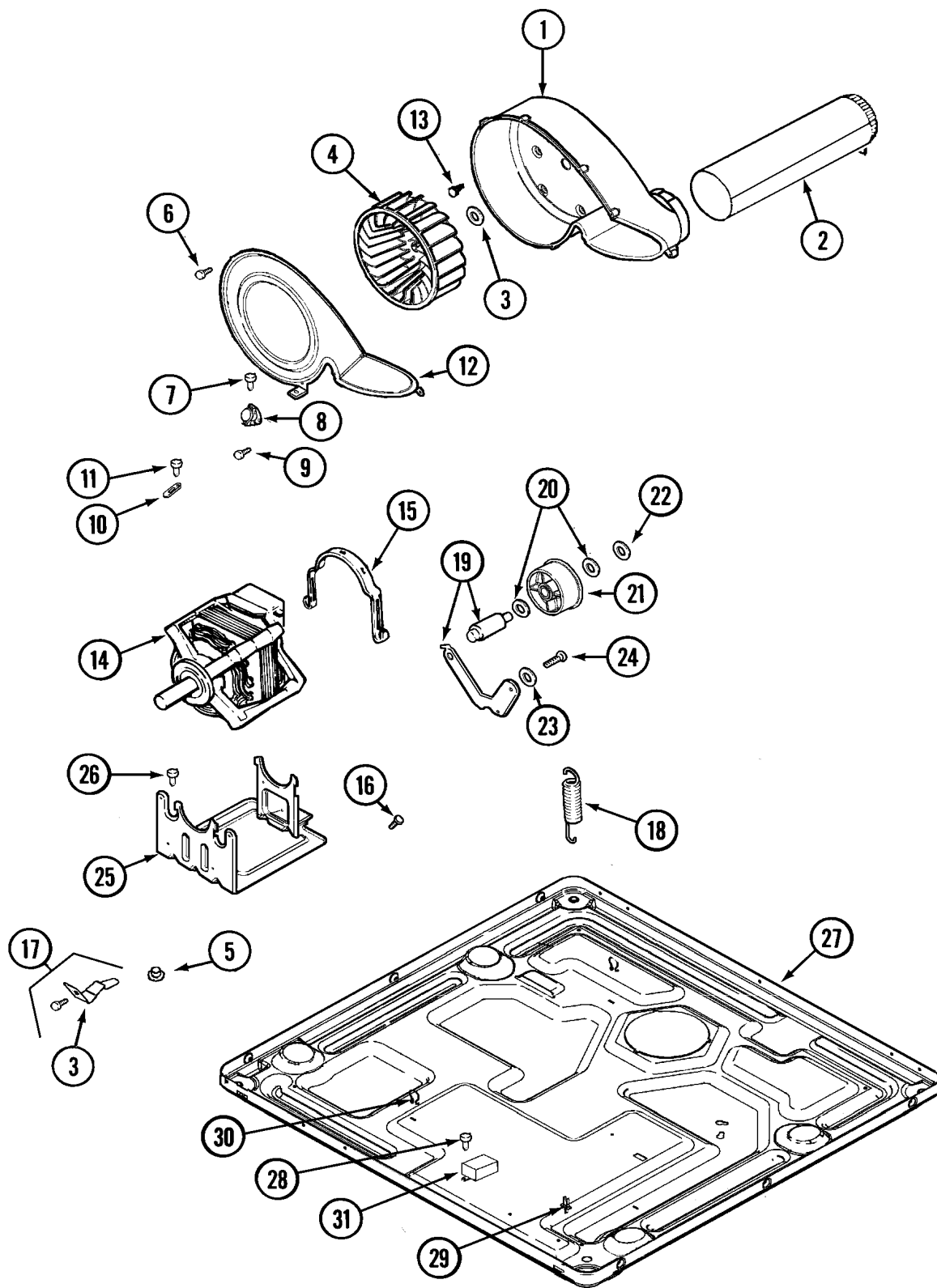
## Section: GAS VALVE (DRYER)

No.	Part No.	Description	Series	Qty
1	306195	CONVERS.KIT (NAT TO LP)----S	11	1
2	Y308377	CONVERSION KIT (LP TO NATURAL)	11	1
3	304971	SCREW Note: SCREW, IGNITER	11	1
4	33002789	IGNITER ASSEMBLY	11	1
5	33002793	BURNER ASSEMBLY	11	1
6	308345	VALVE, GAS	11	1
7	306106	COIL, HOLDING & BOOSTER--W	11	1
8	306105	COIL, SECONDARY--W	11	1
9	313561	SCREW----NA Note: SCREW, GAS VALVE	11	2
10	N 33002055	BRACKET, GAS VALVE----NA	11	1
11	314082	SCREW Note: SCREW, GAS VALVE	11	2
12	22001995	SCREW Note: SCREW, GAS VALVE	11	1
13	306086	ANGLE SHUT OFF FOR GAS VALV	11	1
14	33001735	PIPE & BRACKET ASSY.	11	1
15	211294	SCREW Note: SCREW, DUCT	11	9
16	33002765	INLET DUCT ASSEMBLY (GAS)	11	1
16	33003039	ASSY,INLET DUCT-GAS	17	1
17	305169	THERMOSTAT, HI-LIMIT GAS	11	1
18	303377	SENSOR, RADIANT	11	1
19	33001835	CONE ASSY., COMBUSTION	11	1
20	33001812	EXTENSION CONE ASSY.	11	1
21	Y312890	RETAINER, HEATER CHAMBER	11	1
22	33001693	CAP, GAS PIPE	11	1
23	33002236	ANGLE CONNECTOR ASSY.	11	1

\*Color Code (-)=Not Shown #=Series, Serial Prefix or Run No., N=Not Available

Section: MOTOR DRIVE (DRYER)

Model: MLG19PNDWW



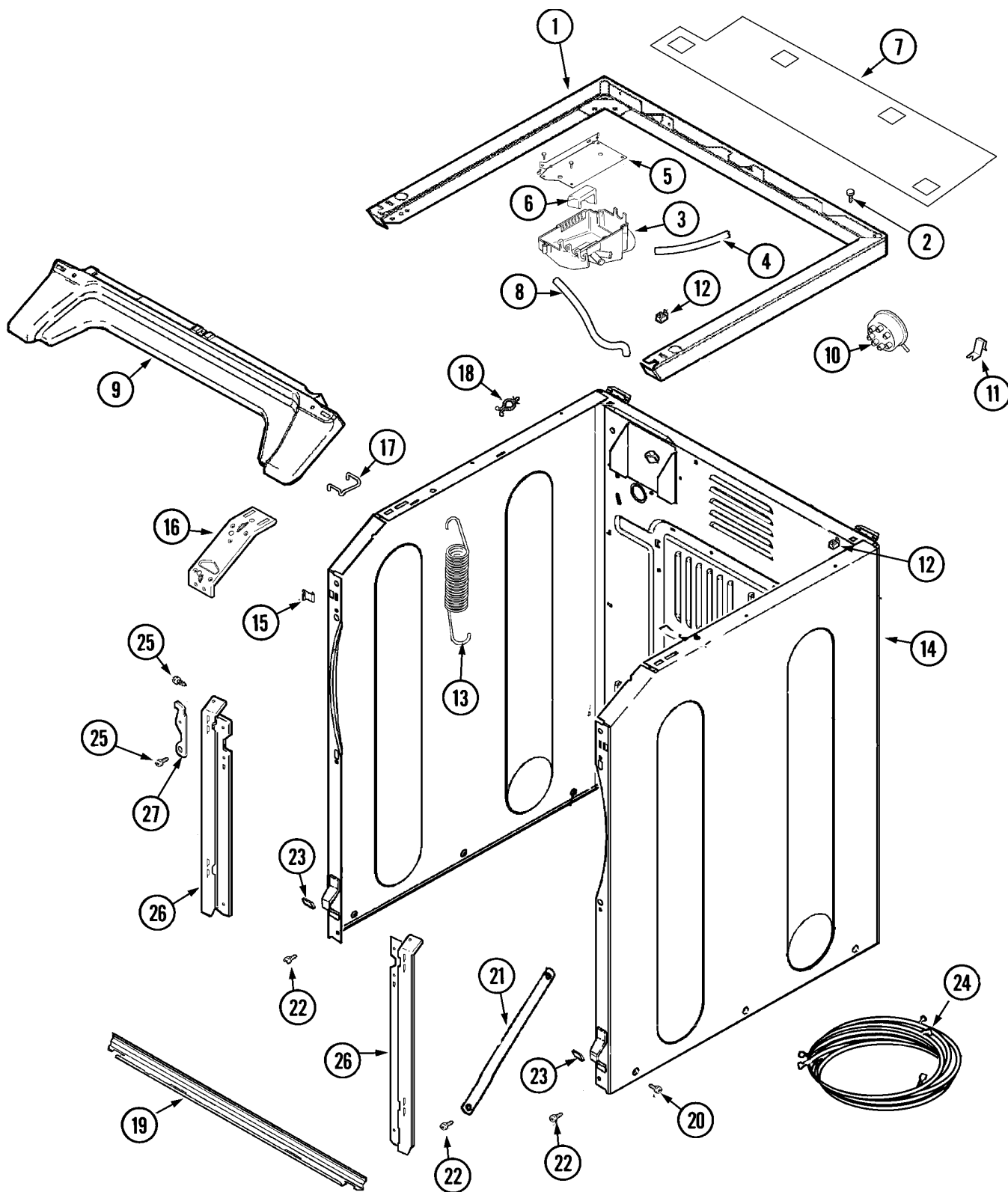
## Section: MOTOR DRIVE (DRYER)

No.	Part No.	Description	Series	Qty
1	33001789	HOUSING, BLOWER	11	1
-	22001995	SCREW Note: SCREW, EXHAUST DUCT ASSEMBLY	11	1
2	33002185	DUCT ASSY., EXHAUST	11	1
3	33002757	BRACKET, RH, BASE TO SUPPORT	11	1
-	22001995	SCREW Note: SCREW, BRACKET	11	2
3	33002758	BRACKET, LH, BASE TO SUPPORT	11	1
4	33002797	WHEEL, BLOWER	11	1
5	33002044	GUIDE	11	2
6	33001855	SCREW (HEX HEAD) Note: SCREW, HOUSING COVER	11	8
7	313561	SCREW----NA Note: SCREW, HOUSING COVER	11	1
8	303392	CYCLING THERMOSTAT 140 DEG Note: THERMOSTAT, CYCLING (140 DEG)	11	1
8	33303391	THERMOSTAT, CYCLING Note: THERMOSTAT, CYCLING (155 DEG)	11	1
9	22002925	SCREW Note: SCREW, THERMOSTAT	11	4
10	33001762	FUSE, THERMAL (W' BRACKET)	11	1
11	22002925	SCREW Note: SCREW, THERMAL CUT-OFF	11	1
12	33002711	COVER, BLOWER HOUSING	11	1
13	313561	SCREW----NA Note: SCREW, BLOWER HOUSING	11	4
14	33002795	MOTOR, DRIVE 60HZ	11	1
15	33002221	CLIP, MOTOR	11	2
16	910343	SCREW, GROUND WIRE	11	1
17 N	12001551	BRACKET/SCREW PACKAGE Note: (INCL RT/LT BRKT & SCREWS)	11	1
18	33002460	SPRING, IDLER	11	1
19	33001840	IDLER ARM & SHAFT ASSY.	11	1
20	312527	WASHER, IDLER SHAFT (QTY-1)	11	2
21	33001783	BEARING, IDLER ASSEMBLY	11	1
22	312958	RETAINING RING, IDLER SHAFT	11	1
23	315772	SLEEVE, IDLER ARM	11	1
24	Y014874	SCREW	11	1
25	33002817	MOTOR SUPPORT, OFFSET	11	1
26	313561	SCREW----NA Note: SCREW, MOTOR SUPPORT	11	2
-	33002049	STRIP, GROMMET	11	2
-	33002050	PROTECTOR, HARNESS	11	2
-	314568	SCREW-GAS VALVE TO BRACKET Note: SCREW, HARNESS PROTECTOR	11	2
27	33002467	BASE (UPR)	11	1
28	251119	SCREW Note: SCREW, TRANSFORMER	11	2
29	33001989	RETAINER, WIRE	11	2
30	410490	SPRING, WIRE HARNESS	11	2
31	33002186	TRANSFORMER	11	1
-	315218	SHIELD, XFMR Note: SHIELD, TRANSFORMER	11	1

\*Color Code (-)=Not Shown #=Series, Serial Prefix or Run No., N=Not Available

Section: CABINET-FRONT (WASHER)

Model: MLG19PNDWW



CW12-47



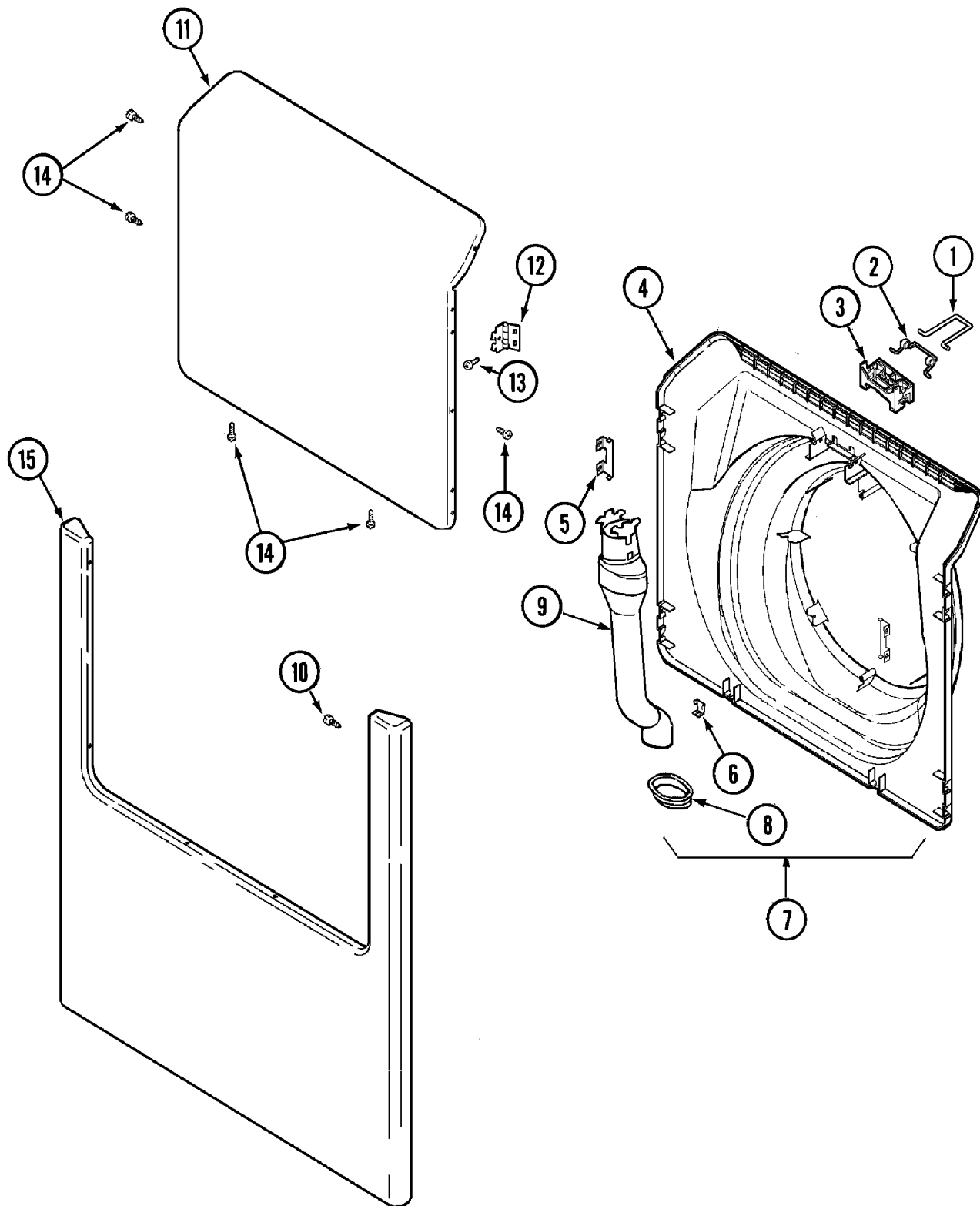
## Section: CABINET-FRONT (WASHER)

No.	Part No.	Description	Series	Qty
1	33002963	SUPPORT, WELD ASSEMBLY	11	1
2	214354	SCREW Note: SCREW, SUPPORT	11	4
-	33001855	SCREW (HEX HEAD) Note: SCREW, VENT TUB	11	4
3	33002775	VENT, TUB	11	1
4	22002464	HOSE Note: HOSE, VENT	11	1
5	33002189	BRACKET, VENT MOUNTING	11	1
6	22002440	DEFLECTOR, VENT	11	1
-	33002192	CLIP, SHIELD	11	4
7	33002191	WIRE SHIELD	11	1
-	205161	CLAMP - 15/16" Note: CLAMP, HOSE	11	2
8	33002193	SHOWER HOSE	11	1
9	33002011	COVER, ACCESS (WHT)	11	1
10	22003728	SWITCH, PRESSURE	11	1
-	22002006	CLIP Note: CLIP, WIRE HARNESS	11	1
11	22002244	CLIP, GROUNDING	11	2
12	33002194	NUT, SPEED	11	2
13	22002100	SPRING Note: SPRING	11	2
14	22003639	CABINET ASSY. (WHT AS PK)	11	1
-	22002179	TIE, CABLE	11	2
15	22002049	CLIP Note: CLIP, FRONT PANEL	11	2
16	33002814	CORNER BRACKET - RH CABINET	11	1
16	33002813	CORNER BRACKET - LH CABINET	11	1
-	22003638	SHROUD SUPPORT ASSEMBLY	11	1
17	22002297	SUPPORT, SPRING	11	2
18	315471	RETAINER, WIRE	11	2
19	22003638	SHROUD SUPPORT ASSEMBLY	11	1
20	213007	SCREW, CABINET	11	6
21	22002767	BRACE, CROSS	11	2
22	33002190	SCREW (#10-3/8") Note: SCREW,C BRACE, BRACKET,CABINET	11	5
23	22002013	STOP, SHIPPING	11	2
24	22004249	HARNESS, WIRE LOWER	11	1
25	22001995	SCREW Note: SCREW, SHROUD & ACCESS COVER	11	9
26	22003625	BRACKET, SHROUD SUPPORT (RT)	11	1
26	22003624	BRACKET, SHROUD SUPPORT (LT)	11	1
27	33002036	HOOK, ACCESS COVER (RT) Note: HOOK, ACCESS COVER (RT)	11	1
-	33002037	FASTENER, ACCESS COVER HOOK	11	2
27	33002035	HOOK, ACCESS COVER (LT)	11	1

\*Color Code (-)=Not Shown #=Series, Serial Prefix or Run No., N=Not Available

Section: DOOR & FRONT PANEL (WASHER)

Model: MLG19PNDWW



CW10-62

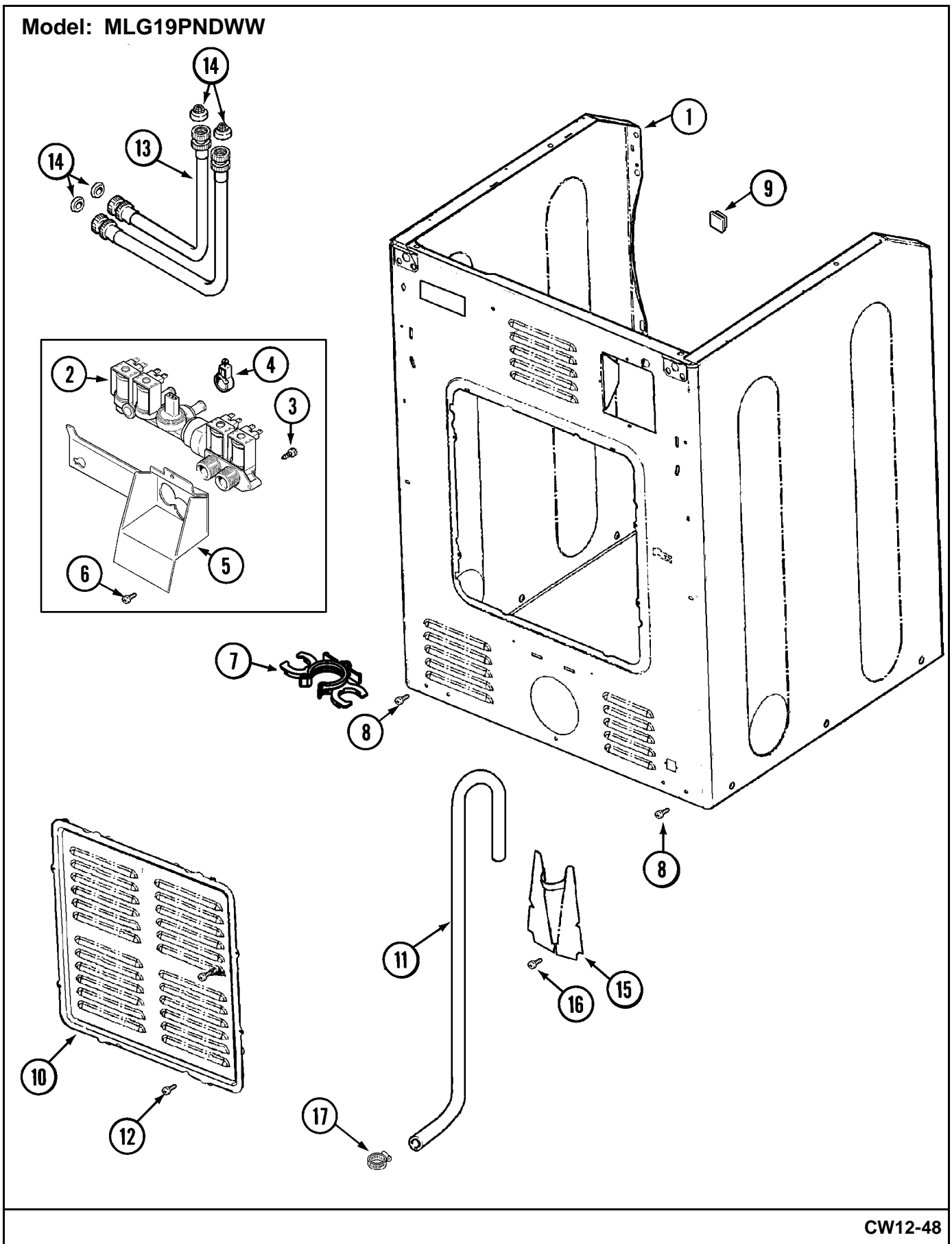
**Section: DOOR & FRONT PANEL (WASHER)**

No.	Part No.	Description	Series	Qty
1	22003222	HOOP, LOCK	11	1
2	22002003	SPRING, LATCH	11	1
3	22002168	SUPPORT, LOCK HOOP	11	1
4	22003800	INNER DOOR/VENTED (ASPK-WHT)	11	1
5	22002038	CLIP, DOOR (DOUBLE)	11	4
6	22002039	CLIP, DOOR (SINGLE)	11	2
7	12001722	DOOR LINER W/VENT ASSY. (WHT)	11	1
8	22003075	GROMMET, VENT TUBE	11	1
9	22003850	VENT TUBE ASSEMBLY	11	1
-	22002244	CLIP, GROUNDING	11	1
10	22002243	SCREW Note: SCREW, FRONT PANEL & HINGE	11	4
11	22001979	DOOR, OUTER (WHT-W/DAMPER)	11	1
12	22002798	HINGE, DOOR	11	2
13	22002062	SCREW Note: SCREW, HINGE	11	4
14	22002063	SCREW #8-18AB WAFER HD	11	6
15	22002241	PANEL, FRONT (WHT)	11	1

\*Color Code (-)=Not Shown #=Series, Serial Prefix or Run No., N=Not Available

Section: CABINET-REAR (WASHER)

Model: MLG19PNDWW



CW12-48

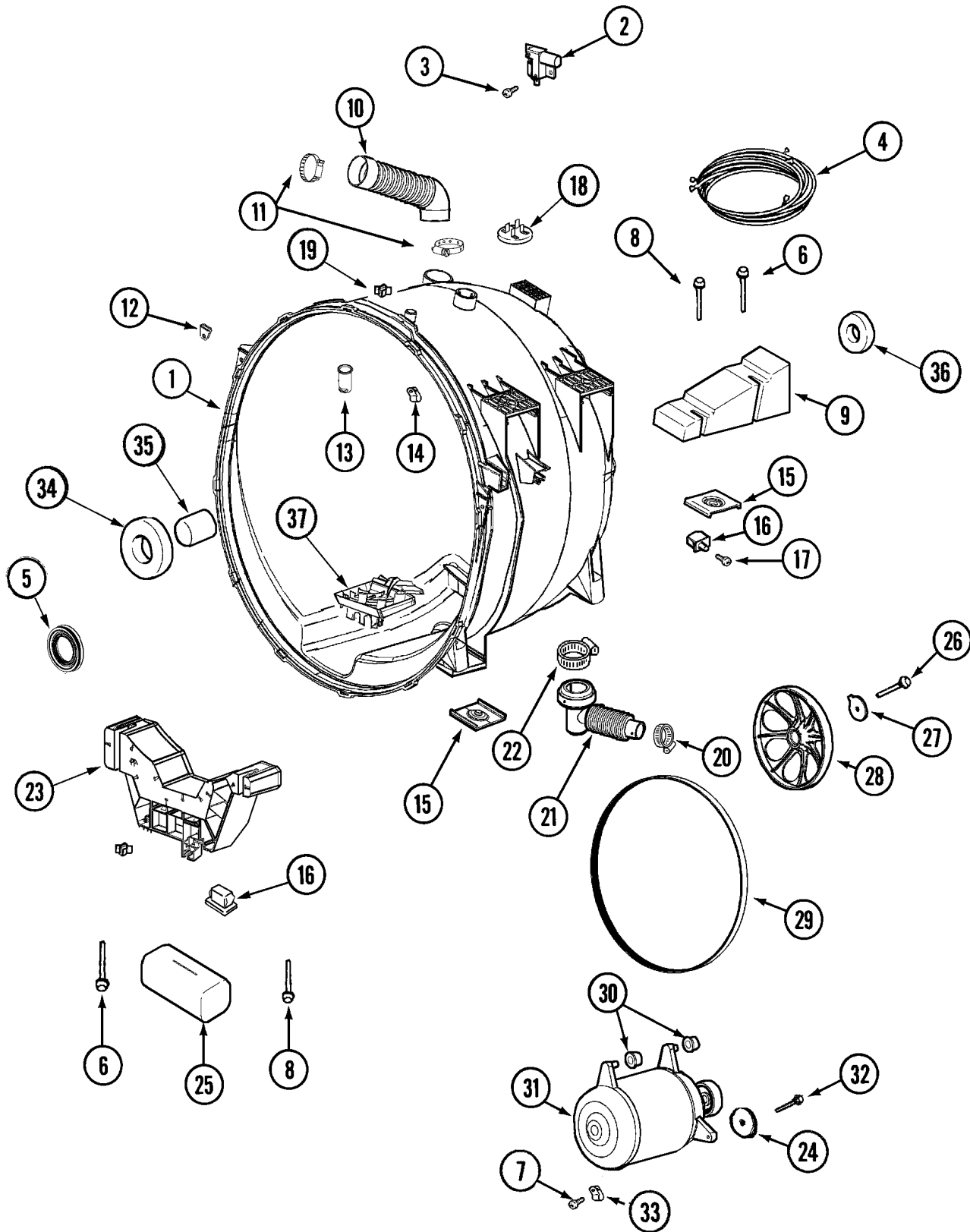
## Section: CABINET-REAR (WASHER)

No.	Part No.	Description	Series	Qty
1	22003639	CABINET ASSY. (WHT AS PK) Note: (CABINET ONLY)	11	1
-	33002190	SCREW (#10-3/8") Note: SCREW, CABINET TO BASE	11	2
2	33002211	VALVE, WATER	11	1
3	22002436	SCREW Note: SCREW, WATER VALVE	11	1
4	205161	CLAMP - 15/16" Note: CLAMP, WATER VALVE	11	3
5	33002212	BRACKET, WATER VALVE	11	1
6	22002925	SCREW Note: SCREW, WATER VALVE BRACKET	11	2
7	22002932	CLIP, DRAIN HOSE	11	1
8	33002190	SCREW (#10-3/8") Note: SCREW, CABINET	11	2
9	N 215950	PLUG, HOLE	11	1
10	22004355	REAR ACCESS PANEL	11	1
-	22002892	RETAINER, DRAIN HOSE	11	1
-	22002893	TIE, CABLE	11	1
-	22003319	HOSE, DRAIN (CORR)(80 1/2")	11	1
11	12001807	KIT NC, DRAIN HOSE REPLACEMENT Note: DRAIN HOSE KIT	11	1
12	22002925	SCREW Note: SCREW, ACCESS PANEL	11	2
13	22003839	INLET HOSE - VENUS - HOT	11	2
13	22003838	INLET HOSE - VENUS - COLD	11	1
14	22002960	STRAINER, WASHER INLET	11	2
14	Y013783	GASKET, INLET HOSE Note: WASHER, INLET HOSE	11	2
15	22002704	COVER, DRAIN HOSE	11	1
16	33002190	SCREW (#10-3/8") Note: SCREW, DRAIN HOSE COVER	11	1
17	22001984	CLAMP, DRAIN HOSE	11	2

\*Color Code (-)=Not Shown #=Series, Serial Prefix or Run No., N=Not Available

Section: OUTER TUB & MOTOR(WASHER)

Model: MLG19PNDWW



CW17-50

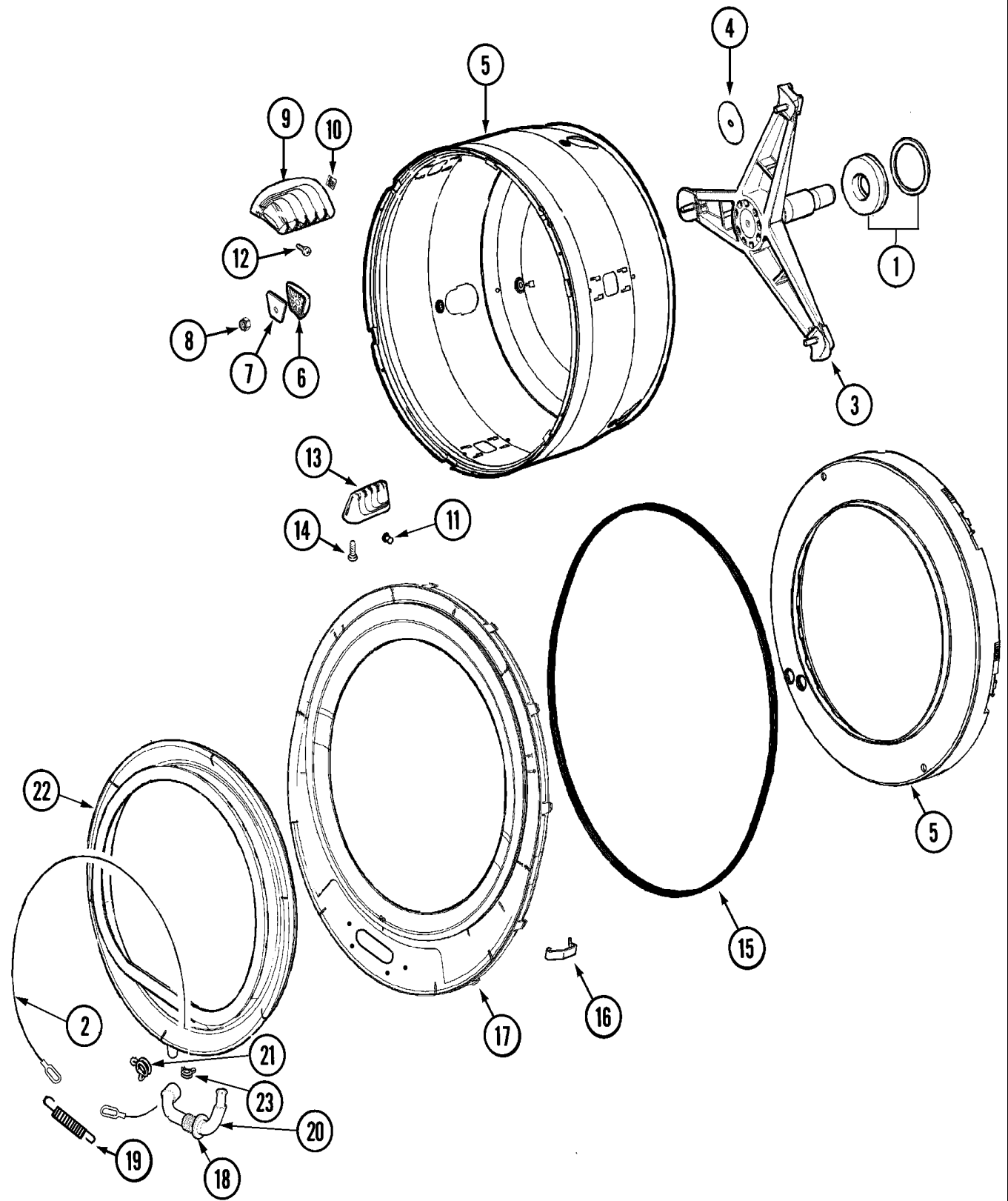
## Section: OUTER TUB & MOTOR(WASHER)

No.	Part No.	Description	Series	Qty
1	22004080	OUTER TUB ASSEMBLY AS-PK KIT Note: OUTER TUB ASSEMBLY	11	1
1	22004465	OUTER TUB ASSY, AS PACK	15	1
2	22003302	SWITCH, INTERNAL UNBALANCE	11	1
3	22002061	SCREW Note: SCREW, INERTIAL SWITCH	11	1
4	22004471	HARNESS, WIRE UNBALANCE	14	1
4	22003836	HARNESS, UPPER SUB ASSY, VENUS	11	1
5	12002022	LIP SEAL KIT	11	1
6	22003615	BOLT, DOUBLE SEMS 5-3/8	11	2
7	22002019	SCREW	11	1
8	22003616	BOLT, DOUBLE SEMS 3-3/8	11	2
9	22002102	WEIGHT, COUNTER BALANCE	11	1
10	22002083	HOSE, INJECTOR	11	1
11	22002052	CLAMP, INJECTOR HOSE	11	2
12	22002103	CLIP, U Note: CLIP, U	11	2
13	22004310	WATER DEFLECTOR	11	1
14	22002006	CLIP Note: CLIP, WIRE HARNESS & OUTER TUB	11	2
15	22002065	NUT, COUNTER BALANCE	11	2
16	22002044	SWITCH, TUB DISPLACEMENT	11	2
17	22002061	SCREW Note: SCREW, DISPLACEMENT SWITCH	11	1
18	22002797	CLIP, HOSE (SADDLE HORN)	11	1
19	22002006	CLIP	11	6
20	22001984	CLAMP, DRAIN HOSE	11	1
21	22003262	HOSE, TUB TO PUMP	11	1
22	22002053	CLAMP, SUMP HOSE	11	1
23	22004472	BRACKET, LOWER	15	1
23	22002579	FRONT WEIGHT BRACKET	11	1
-	22002006	CLIP Note: CLIP, UNBALANCE SWITCH HARNESS	11	1
24	22002320	WASHER, STRUT	11	2
25	22003225	CUSHION	11	1
26	22003937	SCREW, RETAINING BOLT	11	1
27	22003936	WASHER (1 1/4")	11	1
28	22002315	PULLEY, SPINNER	11	1
29	12001788	KIT, BELT & ISOLATOR--W	11	1
30	22003329	ISOLATOR, MOTOR	11	1
31	22003856	MOTOR, VARIABLE SPEED	11	1
32	22003686	BOLT, MOTOR	11	1
33	22002006	CLIP	11	1
34	22002934	BEARING, FRONT	11	1
35	22002935	SPACER, BEARING	11	1
36	22003441	BEARING, REAR	11	1
37	22003710	SUMP CAP W/ LABYRINTH FEATURE	11	1

\*Color Code (-)=Not Shown #=Series, Serial Prefix or Run No., N=Not Available

Section: SPINNER ASSEMBLY & OUTER TUB COVER(WASH)

Model: MLG19PNDWW



LW13-42



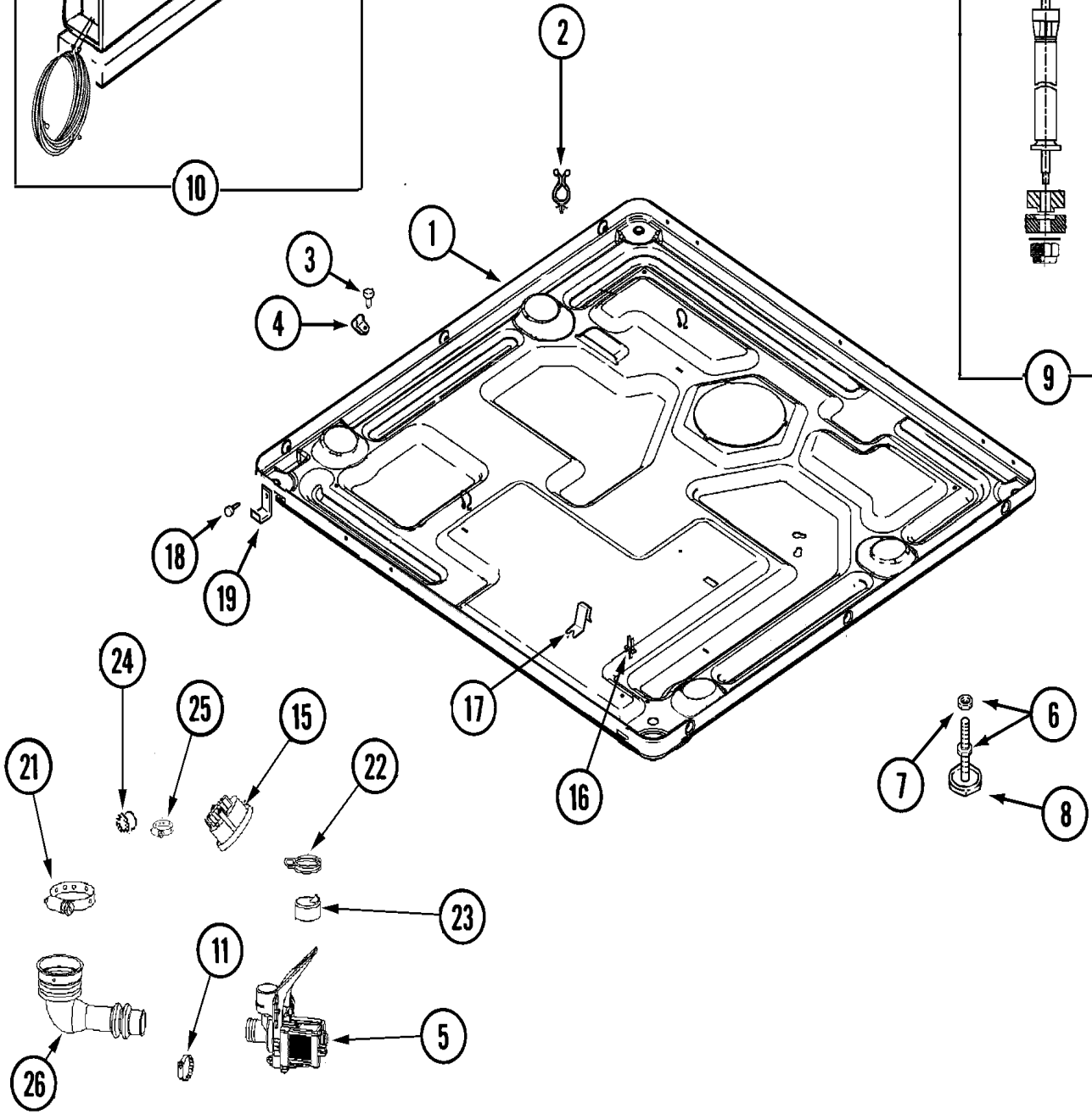
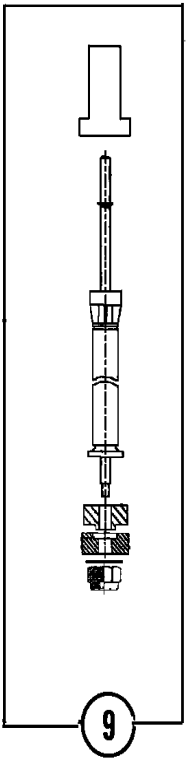
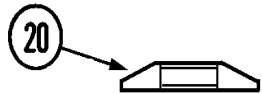
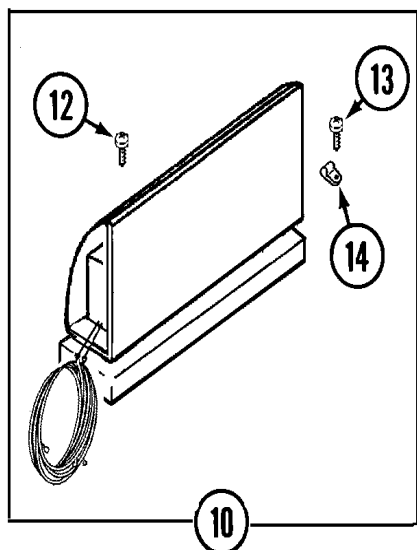
**Section: SPINNER ASSEMBLY & OUTER TUB COVER(**

No.	Part No.	Description	Series	Qty
1	12002022	LIP SEAL KIT	11	1
2	22002327	BOOT CABLE CLAMP	11	1
3	22003670	SPINNER ASSY W' BALANCE RING	11	1
4	22002023	WASHER, PLASTIC	11	3
5	22003637	BRACE ASSEMBLY, TOP CROSS	11	1
6	22002482	WASHER, PROFILE	11	3
7	22002020	WASHER, SPINNER SUPPORT	11	3
8	22002122	NUT, SPINNER ATTACHMENT	11	3
9	22001985	BAFFLE, DRIP (REAR)	11	3
10	22002009	GROMMET, BAFFLE (REAR)	11	3
11	22001999	GROMMET, BAFFLE (FRT)	11	3
12	22003556	SCREW Note: SCREW, BAFFLE (REAR)	11	6
13	22001986	BAFFLE, DRIP (FRONT)	11	3
14	22002059	SCREW Note: SCREW, BAFFLE (FRONT)	11	6
15	22002077	SEAL, TUB COVER	11	1
16	22002050	CLIP, TUB TO COVER	11	1
17	22004254	COVER, TUB W/SEAL&CAPS ASPK	11	13
18	22003074	GUARD, HOSE	11	1
19	22002099	SPRING, TUB	11	1
20	22003071	DOOR BOOT DRAIN HOSE	11	1
21	22003072	CLAMP, HOSE DOUBLE WIRE	11	1
22	22003893	DOOR BOOT, BLACK	11	1
23	22003073	CLAMP, HOSE DOUBLE WIRE	11	1

\*Color Code (-)=Not Shown #=Series, Serial Prefix or Run No., N=Not Available

Section: BASE (WASHER)

Model: MLG19PNDWW



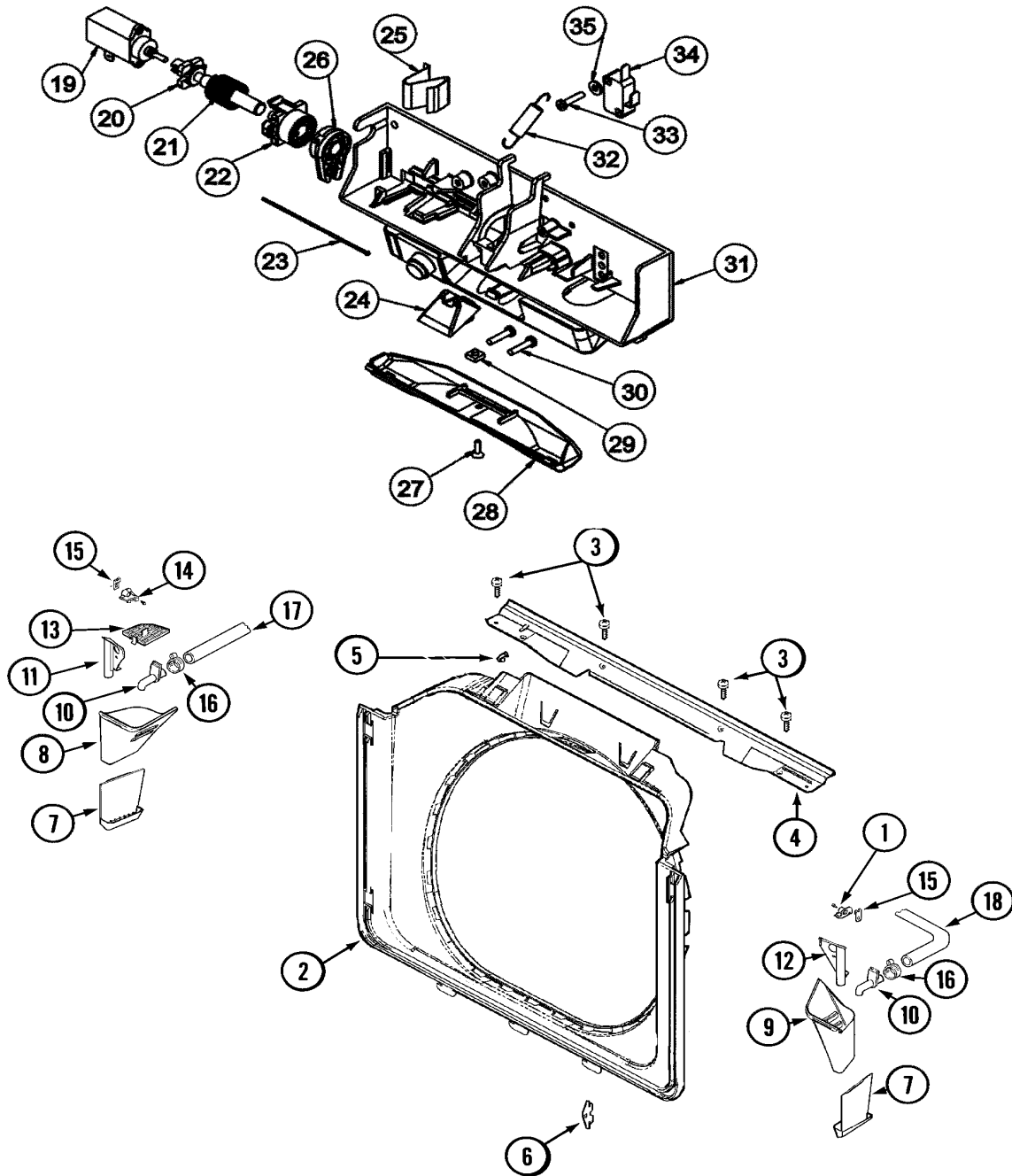
## Section: BASE (WASHER)

No.	Part No.	Description	Series	Qty
1	22003926	COMMERCIAL BASE WELD ASSY	11	1
2	22003298	RETAINER, WIRE	11	2
3	313561	SCREW----NA Note: SCREW, WIRE HARNESS CLIP	11	1
4	22004120	LID W' GRAPHIC PDR.CT. SS WHT Note: CLIP, WIRE HARNESS	11	1
5	22003244	PUMP	11	1
6	22003544	ADJUSTABLE LEG W/FOOT & NUT	11	4
7	Y052740	NUT Note: NUT, LEG	11	4
8	210684	FOOT, RUBBER	11	4
9	22002316	STRUT, REAR	11	2
10	22004046	CONTROL ASSY., MOTOR	11	1
11	22001984	CLAMP, DRAIN HOSE	11	1
12	33002190	SCREW (#10-3/8")	11	1
13	313561	SCREW----NA	11	1
14	22002014	CLIP	11	1
15	22003728	SWITCH, PRESSURE	11	1
16	22003298	RETAINER, WIRE	11	3
17	22002244	CLIP, GROUNDING	11	1
18	33002190	SCREW (#10-3/8") Note: SCREW, CLIP	11	2
19	22002239	CLIP, LOWER FRONT PANEL	11	2
20	33002222	DEFLECTOR, WATER Note: (ON LEFT STRUT ONLY)	11	1
21	22002853	CLAMP, HOSE	11	1
22	22002853	CLAMP, HOSE	11	1
23	22003268	CAP, RUBBER	11	1
24	22003261	PLUG, OUTER TUB	11	1
25	22003295	CLAMP, HOSE DOUBLE WIRE	11	1
26	22003262	HOSE, TUB TO PUMP	11	1

\*Color Code (-)=Not Shown #=Series, Serial Prefix or Run No., N=Not Available

Section: DOOR SHROUD & DOOR LATCH ASSEMBLY (WASH)

Model: MLG19PNDWW



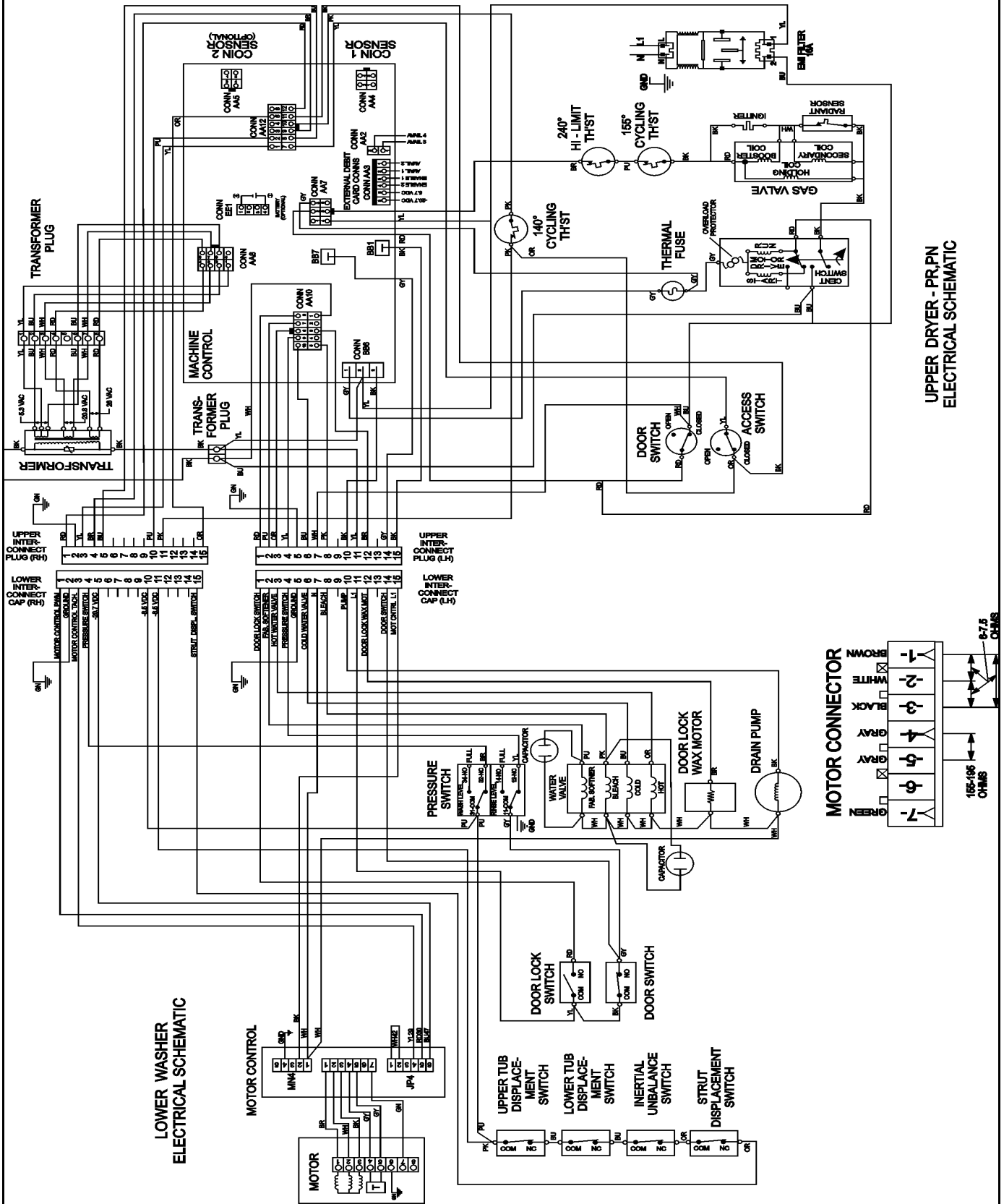
## Section: DOOR SHROUD & DOOR LATCH ASSEMBLY

No.	Part No.	Description	Series	Qty
1	33002209	RETAINER, FABRIC SOFTENER	11	1
2	22002506	SHROUD/DISPENSER HOSE ASSY. Note: SHROUD & DISPENSER HOSE (WHT)	11	1
3	22001995	SCREW Note: SCREW, DOOR LOCK SUPPORT	11	4
-	22003908	VAPOR BARRIER	11	1
-	33002203	CLIP, HOSE	11	2
4	33002477	SUPPORT, DOOR LOCK	11	1
5	22002014	CLIP Note: CLIP, WIRE HARNESS	11	1
-	33001787	SCREW, HINGE	11	2
6	33001764	COVER, HINGE HOLE (WHT)	11	2
7	33002196	GRATE, OVERFLOW (RT)	11	1
7	33002195	GRATE, OVERFLOW (LT)	11	1
8	33002197	CUP, BLEACH DISPENSER	11	1
9	33002198	CUP, FABRIC SOFTENER DISPENSER	11	1
10	33002199	SPOUT, DISPENSER FILL	11	2
11	33002200	CAP, BLEACH DISPENSER	11	1
12	33002201	CAP, FABRIC SOFTENER	11	1
13	33002204	SCREEN, BLEACH CUP	11	1
14	33002205	RETAINER, BLEACH CUP	11	1
-	22003681	SCREW, DISPENSER LID	11	2
15	33002206	FASTENER, J TYPE	11	2
16	205161	CLAMP - 15/16"	11	2
17	33002207	HOSE, BLEACH	11	1
-	22003653	RETAINER, DISPENSER HOSE	11	1
18	33002208	HOSE, FABRIC SOFTENER	11	1
-	22003653	RETAINER, DISPENSER HOSE	11	1
19	22002119	MOTOR, WAX	11	1
20	22003718	AXLE, LATCH	11	1
21	22003721	SPRING, AXLE / LATCH	11	1
22	22003715	SLIDING GEAR, LATCH	11	1
23	22002164	CABLE, DOOR	11	1
24	22003055	RAMP, DOOR HOOP	11	1
25	22003717	SPRING, LATCH	11	1
26	22003716	ROTATING GEAR, LATCH	11	1
27	22002435	SCREW	11	1
28	22002957	COVER, LATCH ASSEMBLY (LWR)	11	1
29	22003720	NUT, LATCH	11	1
30	22003719	SCREW, LATCH	11	2
31	22003722	SWITCH HOLDER ASSY, LATCH	11	1
32	22002158	SPRING, GEAR RETURN	11	1
33	22001352	SCREW, CHECK SWITCH	11	1
34	22002162	SWITCH, DOOR LOCK SPIN ENABLE	11	1
35	22002165	WASHER, DOOR LOCK SWITCH	11	1
-	22002486	LABEL, LOADING INSTRUCTIONS	11	1
-	22002487	LABEL, ADD DETERGENT	11	1
-	22002484	LABEL, BLEACH	11	1
-	22002485	LABEL, FABRIC SOFTENER	11	1

\*Color Code (-)=Not Shown #=Series, Serial Prefix or Run No., N=Not Available

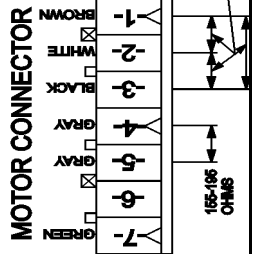
Section: WIRING INFORMATION (MLG19PNDWW)

Model: MLG19PNDWW



LOWER WASHER ELECTRICAL SCHEMATIC

UPPER DRYER - PR,PN ELECTRICAL SCHEMATIC



15003576

**Section: WIRING INFORMATION (MLG19PNDWW)**

No.	Part No.	Description	Series Qty
-	N 15003576	WIRING INFORMATION	11 1

\*Color Code (-)=Not Shown #=Series, Serial Prefix or Run No., N=Not Available

**Section: SUPPLEMENTAL INFORMATION**

No.	Part No.	Description	Series	Qty
-	22003836	HARNESS, UPPER SUB ASSY, VENUS	11	1
-	33002872	HARNESS, WIRE UPPER GAS	11	1
-	22004249	HARNESS, WIRE LOWER	11	1
-	22004047	HARNESS, MOTOR/MOTOR CONTROL	11	1
-	22003858	EMI SUPPRESSION FILTER, 16A	11	1

\*Color Code (-)=Not Shown #=Series, Serial Prefix or Run No., N=Not Available



