

STACK LAUNDRY

Repair Parts List

MODEL NUMBER

MLG2000AWW

When requesting service or ordering parts, always provide the following information:

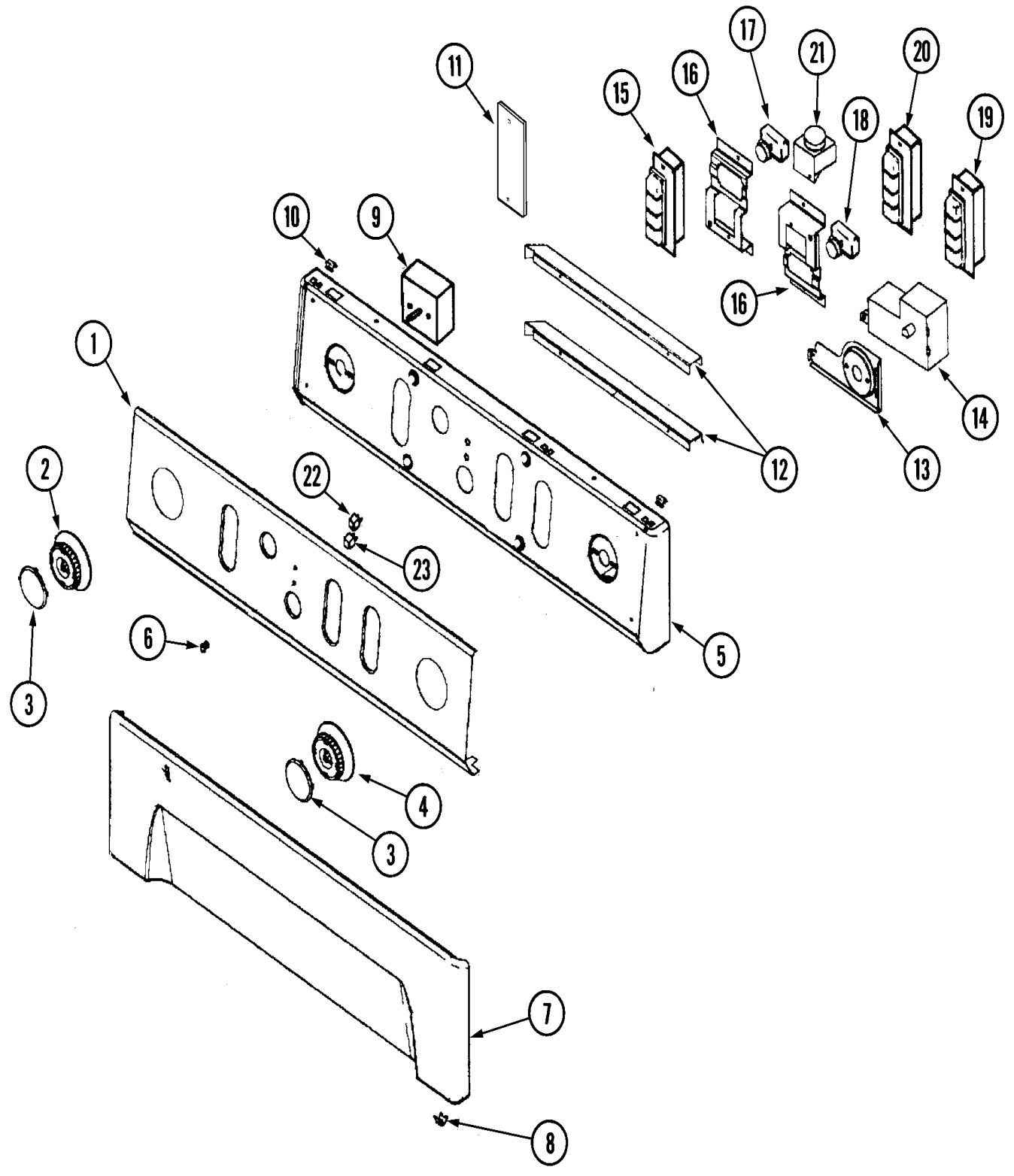
- Product Type
- Part Number
- Model Number
- Part Description

MAYTAG®

©2005 Maytag Services

Section: CONTROL PANEL

Model: MLG2000AWW



LD11-79

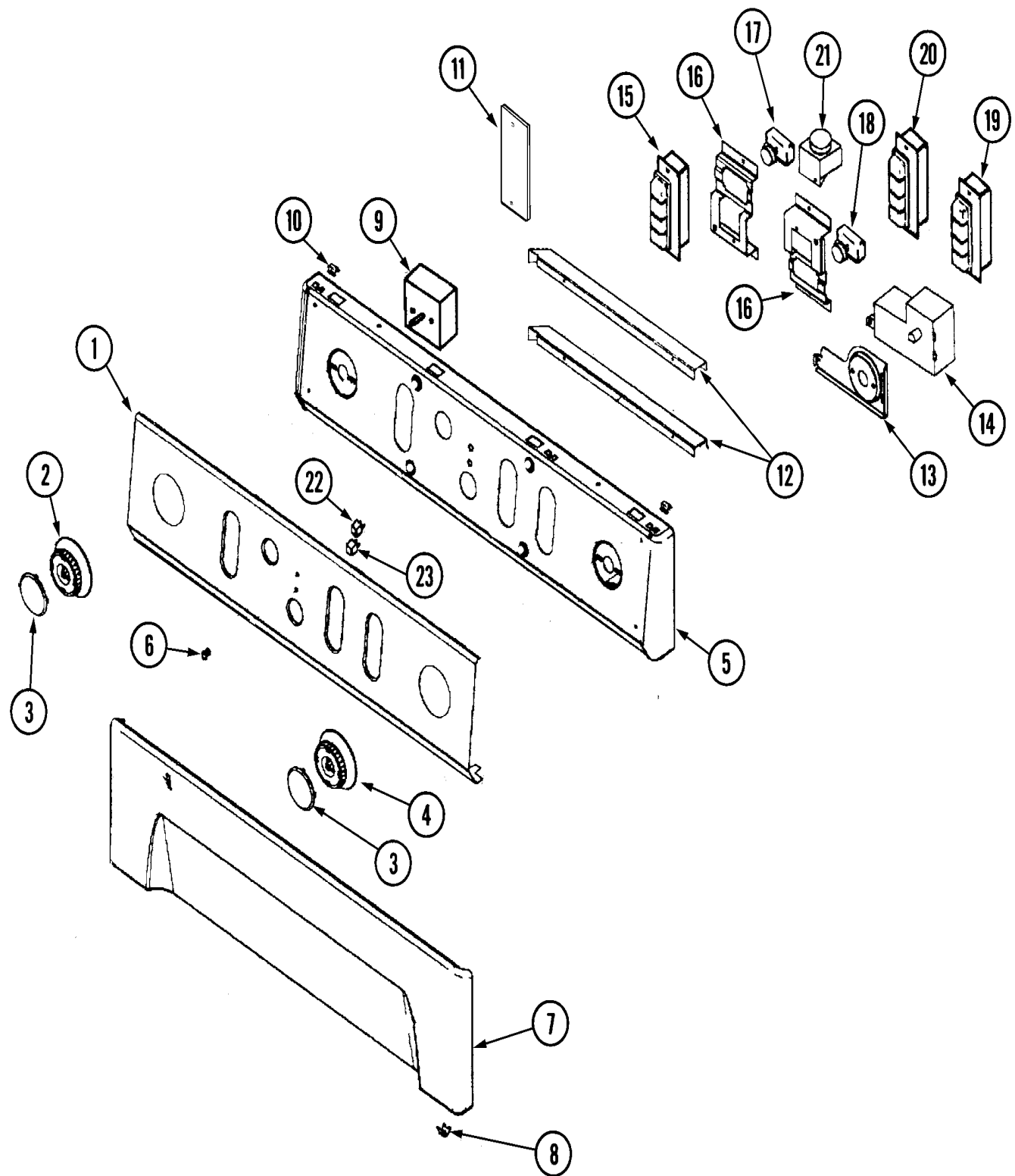
Section: CONTROL PANEL

No.	Part No.	Description	Series	Qty
1	22002460	FACIA (WHT) Note: OVERLAY, CONTROL PANEL (WHT)	10	1
2	33002132	KNOB, TIMER (WHT) Note: KNOB, DRYER TIMER (WHT)	10	1
3	22001664	TIMER KNOB INSERT/CAP (WHT)	10	1
4	22002461	KNOB, TIMER (WHT) Note: KNOB, WASHER TIMER (WHT)	10	1
-	22002063	SCREW #8-18AB WAFER HD Note: SCREW, CONTROL PANEL	10	2
5	22002514	PANEL, CONTROL	10	1
6	22001215	LENS, INDICATOR LIGHT	10	2
7	33002072	PANEL, ACCESS (WHT)	10	1
-	22002063	SCREW #8-18AB WAFER HD	10	1
-	33002004	CLIP, FASTENER	10	2
8	33001980	CLIP, ACCESS PANEL Note: FASTENER, ACCESS PANEL	10	2
9	33002109	TIMER Note: TIMER, DRYER	10	1
-	33002677	TIMER, ELECTRONIC DRY (VENUS)	43	1
-	61001885	SCREW Note: SCREW, TIMER	10	2
10	33001977	FASTENER, CONTROL PANEL	10	2
11	33001212	BOARD, CONTROL-MOISTURE SENSOR	10	1
-	315317	SCREW, SWITCHES Note: SCREW, PC CONTROL BOARD	10	2
12	22002515	CHANNEL, SWITCH MOUNTING	10	2
-	22002517	SCREW	10	4
-	315471	RETAINER, WIRE	10	2
-	61001885	SCREW Note: SCREW, WASHER TIMER BRACKET	10	2
13	22002516	BRACKET, WASHER TIMER	10	1
14	22002452	TIMER Note: TIMER, WASHER	10	1
-	310632	SCREW Note: SCREW, TIMER	10	1
-	22001788	BUTTON, SWITCH (WHT-END)	10	2
15	33002122	SWITCH, TEMP (WHT) Note: (WHT-GAS)	10	1
-	22001789	BUTTON, SWITCH (WHT-MDL)	10	2
16	22002518	BRACKET, PTS SWITCH	10	2
-	310632	SCREW Note: SCREW, PTS SWITCH BRACKET	10	10
17	22004247	HARNESS, WIRE	62	1
17	22002006	CLIP	45	1
17	2205143	HARNESS, WIRE	87	1
17	22004471	HARNESS, WIRE UNBALANCE	80	1
17	22003824	WIRE HARNESS, LOWER/HOUSEHOLD	45	1
17	22003820	WIRE HARNESS / HH / UNBALANCE	45	1
17	22003014	HARNESS, MAIN WIRE	17	1
17	33002227	WIRE HARNESS, MAIN (UPR)	10	1
17	33001861	SWITCH, PUSH TO START (WHT) Note: SWITCH, PUSH TO START (DRYER) (BUTTON, SWITCH-WHT 33001619)	10	1
17 N	22004163	LOWER WIRE HARNESS	62	1
18	33002219	SWITCH, PUSH TO START (STACK) Note: SWITCH, PUSH TO START (WASHER)(BUTTON, SWITCH-WHT 33001619)	10	1
-	22001788	BUTTON, SWITCH (WHT-END)	10	2
19	22002453	SWITCH, WATER TEMP (WHT)	10	1
-	22001789	BUTTON, SWITCH (WHT-MDL)	10	2
-	22001789	BUTTON, SWITCH (WHT-MDL)	10	2
-	22001788	BUTTON, SWITCH (WHT-END)	10	2
20	22002455	SWITCH, OPTIONS (WHT)	10	1
-	315317	SCREW, SWITCHES	10	1
21	33001848	SIGNAL, END OF CYCLE (CHIME)	10	1
22	22002281	INDICATOR LIGHT (ON LIGHT)	10	1
23	903115	LOCK LIGHT	10	1
-	33002227	WIRE HARNESS, MAIN (UPR)	10	1
-	22002524	CONNECTOR (UPPER)	10	2
-	33002447	MANUAL, USE & CARE	10	1
-	33002448	MANUAL, USE & CARE Note: MANUAL, USE & CARE (FRCH)	10	1
-	2202493	MANUAL, USE & CARE-TRILINGUAL	41	1

*Color Code (-)=Not Shown #=Series, Serial Prefix or Run No., N=Not Available

Section: CONTROL PANEL

Model: MLG2000AWW



LD11-79

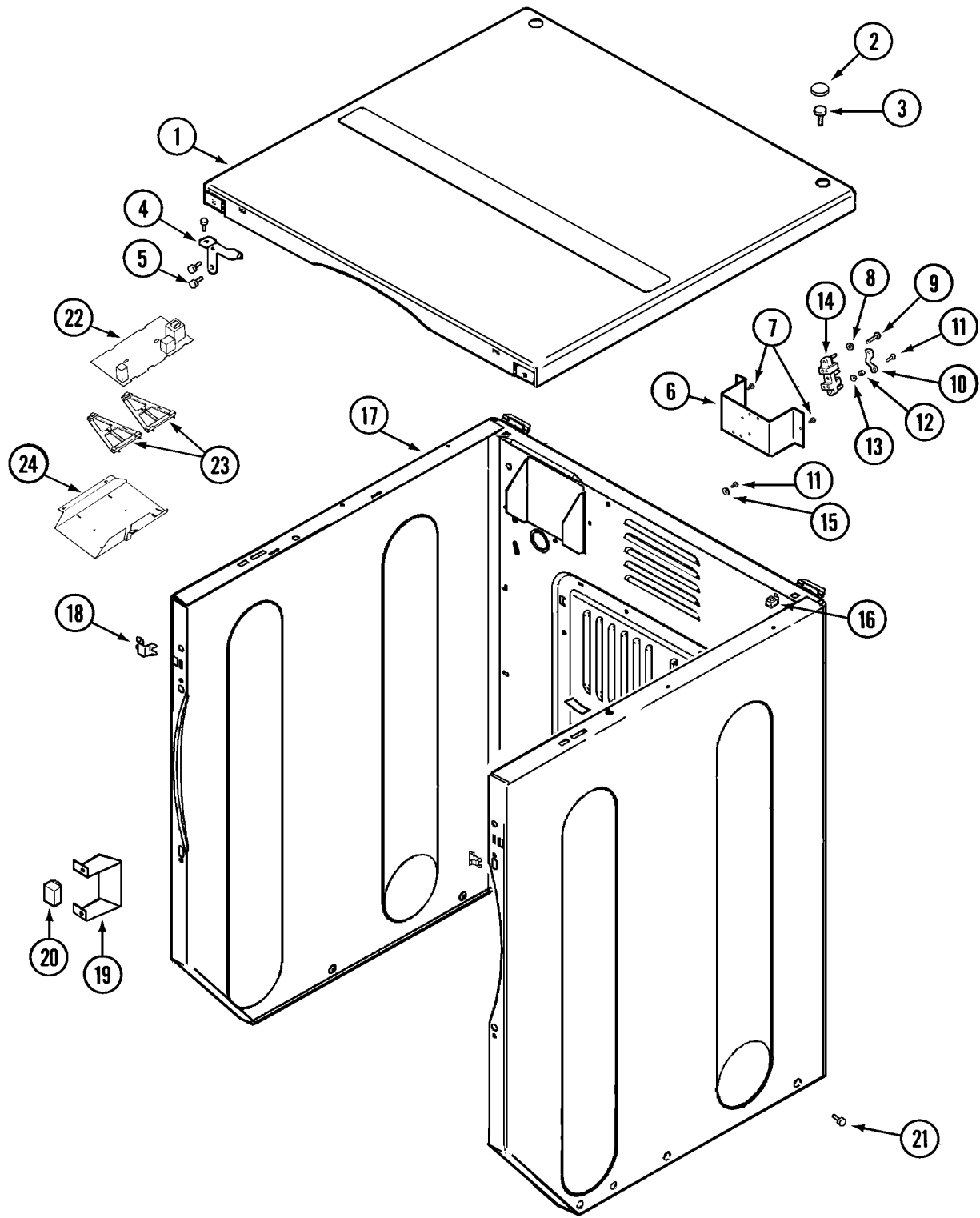
Section: CONTROL PANEL

No.	Part No.	Description	Series	Qty
26	2206686	MANUAL, USE & CARE TRILINGUAL	88	1
-	16009127	MANUAL, SERVICE-NO REFUND	10	1
-	33002235	VIDEO, U & C (STACK)	10	1
-	22002444	LABEL, ENERGY	10	1
-	22003858	EMI SUPPRESSION FILTER, 16A	10	1

*Color Code (-)=Not Shown #=Series, Serial Prefix or Run No., N=Not Available

Section: CABINET-FRONT (DRYER)

Model: MLG2000AWW



LD12-45

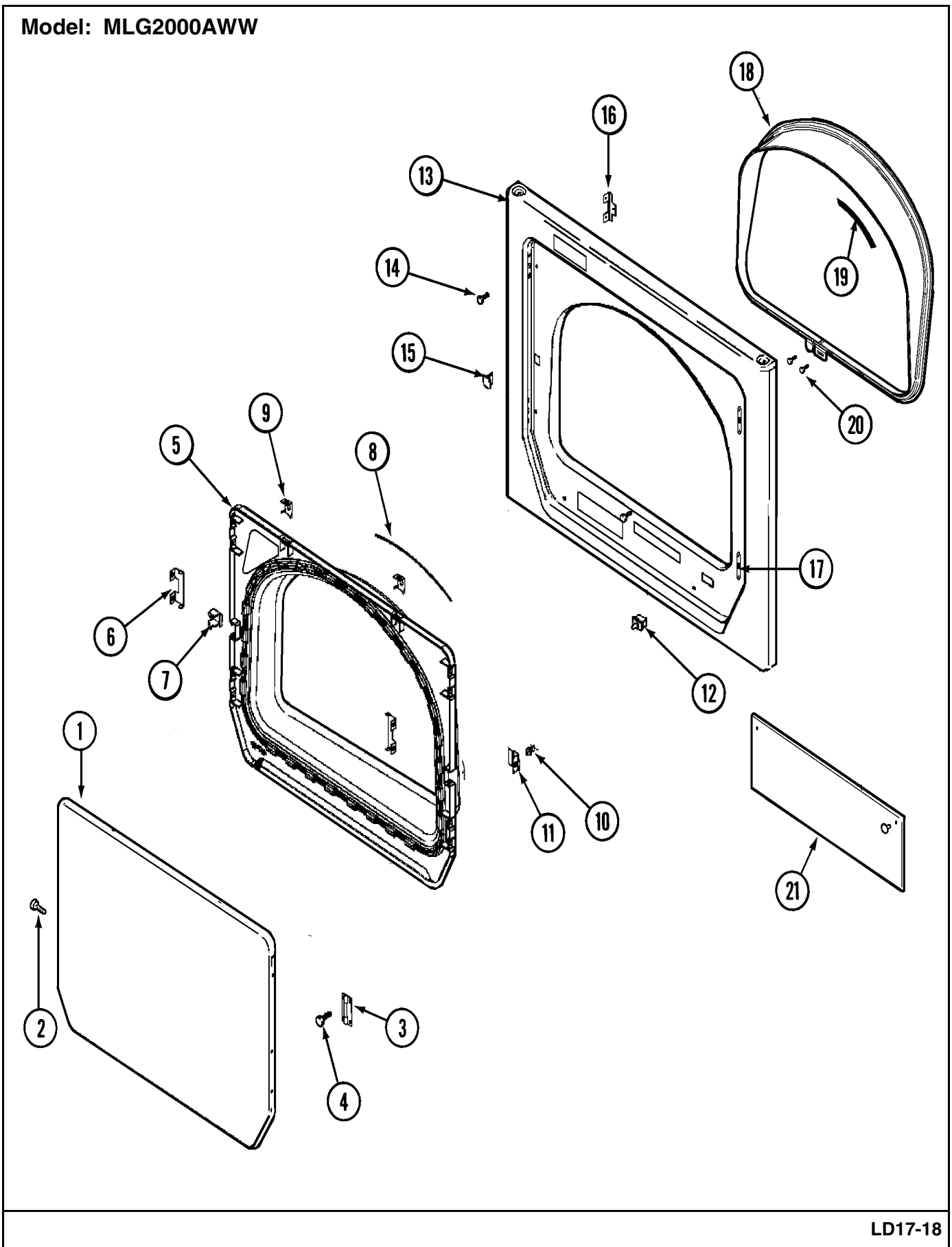
Section: CABINET-FRONT (DRYER)

No.	Part No.	Description	Series	Qty
1	33001995	COVER, TOP (WHT)	10	1
2	33001997	PLUG, HOLE	10	2
3	22001883	SCREW Note: SCREW, TOP COVER	10	2
4	33001998	BRACKET, TOP COVER (LT)	10	1
4	33001999	BRACKET, TOP COVER (RT) Note: (RT)	10	1
5	22001995	SCREW Note: SCREW, TOP COVER BRACKET	10	6
6	N 33001826	BRACKET, TERMINAL BLOCK----NA	10	1
7	22001995	SCREW Note: SCREW, TERMINAL BLOCK BRACKET	10	2
9	312209	SCREW, #10-24 X 3/4 INCH Note: SCREW, TERMINAL BLOCK	10	2
14	33001244	BLOCK, TERMINAL	10	1
15	311270	WASHER, TERMINAL BLOCK	10	1
16	22001502	FASTENER, U-NUT	10	2
17	N 22003582	CABINET, ASSY. (WHT-AS PK)	36	1
17	22003645	CABINET ASSY. (WHT AS PK)	38	1
-	33002003	FASTENER CLIP, CONTROL PANEL	10	2
17	N 33002277	CABINET (WHT)	10	1
18	33001980	CLIP, ACCESS PANEL	10	2
20	207834	RELAY, RUN	10	1
21	213007	SCREW, CABINET	10	6
22	22002451	BOARD, CONTROL	10	1
-	912077	LOCKNUT Note: LOCKNUT, CONTROL BOARD	10	2
22	22004325	BOARD, MACHINE CONTROL	76	1
23	22002284	BRACKET Note: BRACKET, MOUNTING	10	2
24	22002519	BRACKET, MACHINE CONTROL MTG.	10	1

*Color Code (-)=Not Shown #=Series, Serial Prefix or Run No., N=Not Available

Section: DOOR (DRYER)

Model: MLG2000AWW



LD17-18

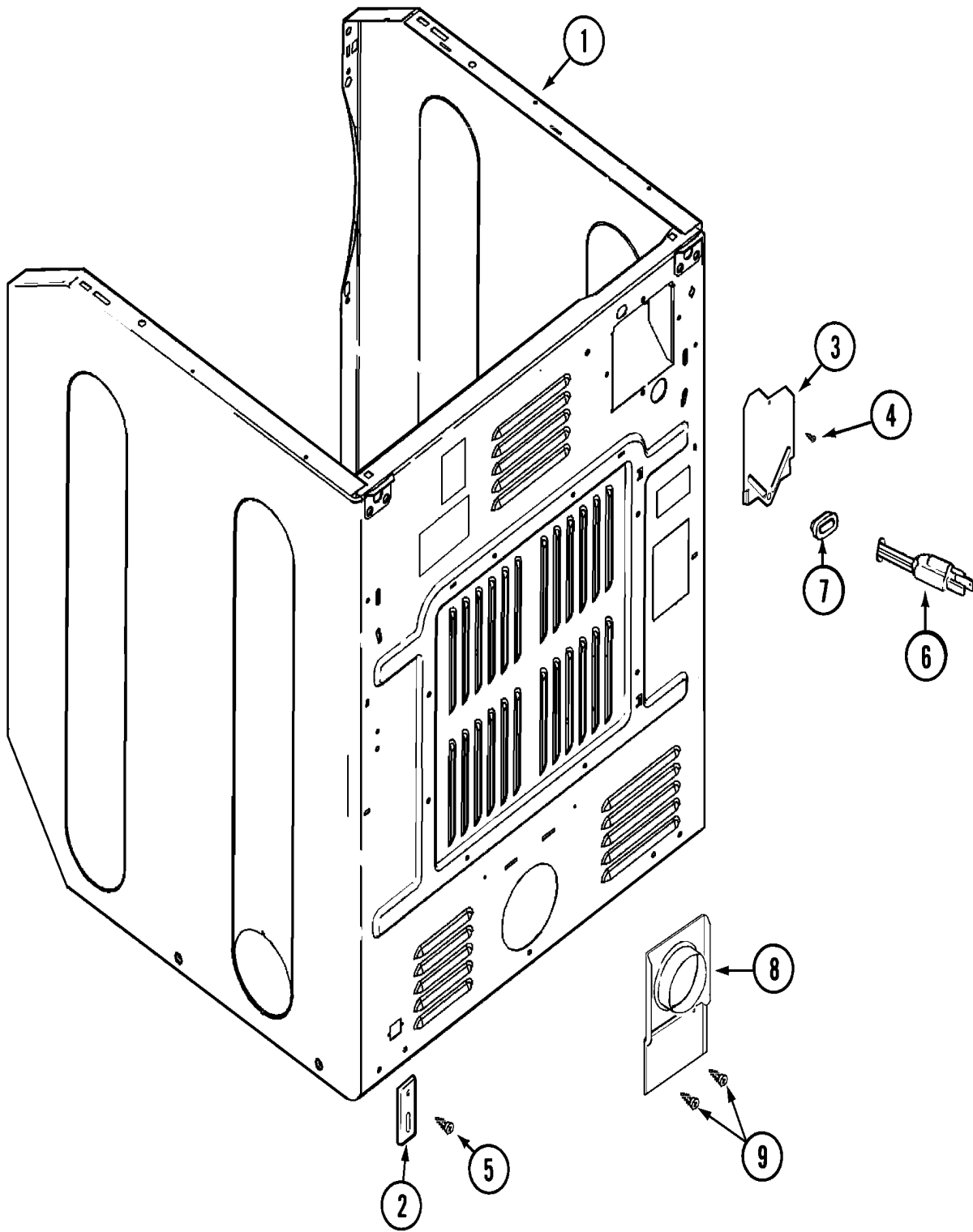
Section: DOOR (DRYER)

No.	Part No.	Description	Series	Qty
1	33002079	DOOR, OUTER (WHT)	10	1
2	22002063	SCREW #8-18AB WAFER HD	10	8
3	33002017	HINGE, DOOR	10	2
4	22002062	SCREW Note: SCREW, HINGE	10	4
5	22002520	DOOR, INNER (W/SEAL)	10	1
6	22002038	CLIP, DOOR (DOUBLE)	10	4
7	33002111	PLUG, INNER DOOR (SHORT)	10	1
-	22002063	SCREW #8-18AB WAFER HD	10	1
8	33002094	SEAL, DOOR	10	1
9	22002039	CLIP, DOOR (SINGLE) Note: CLIP, INNER DOOR	10	2
10	33001761	STRIKE, DOOR (MALE)	10	1
-	22002063	SCREW #8-18AB WAFER HD	10	1
11	33002110	BRACKET, STRIKE (SHORT)	10	1
12	33001508	SWITCH, DOOR Note: SWITCH, DOOR (UPR)	10	1
-	33002051	SCREW, TORX Note: SCREW, FRONT PANEL	10	2
13	33002081	PANEL, FRONT (WHT-UPR)	10	1
14	33001486	PANEL, FASTENER	10	4
15	33001791	CATCH, DOOR (W/PLUG)	10	1
16	33002025	TWIN SPEEDNUT	10	4
17	33001175	COVER, HINGE HOLE (WHT)	10	2
18	33002026	EXTENSION, TUMBLER FRONT	10	1
19	33001767	SEAL, SHROUD	10	1
20	33001855	SCREW (HEX HEAD) Note: SCREW, TUMBLER FRONT EXT.	10	2
21	22002521	SHIELD, CONTROL PANEL	10	1
-	33002048	FASTENER, PUSH	10	3

*Color Code (-)=Not Shown #=Series, Serial Prefix or Run No., N=Not Available

Section: CABINET-REAR (DRYER)

Model: MLG2000AWW



LD12-44

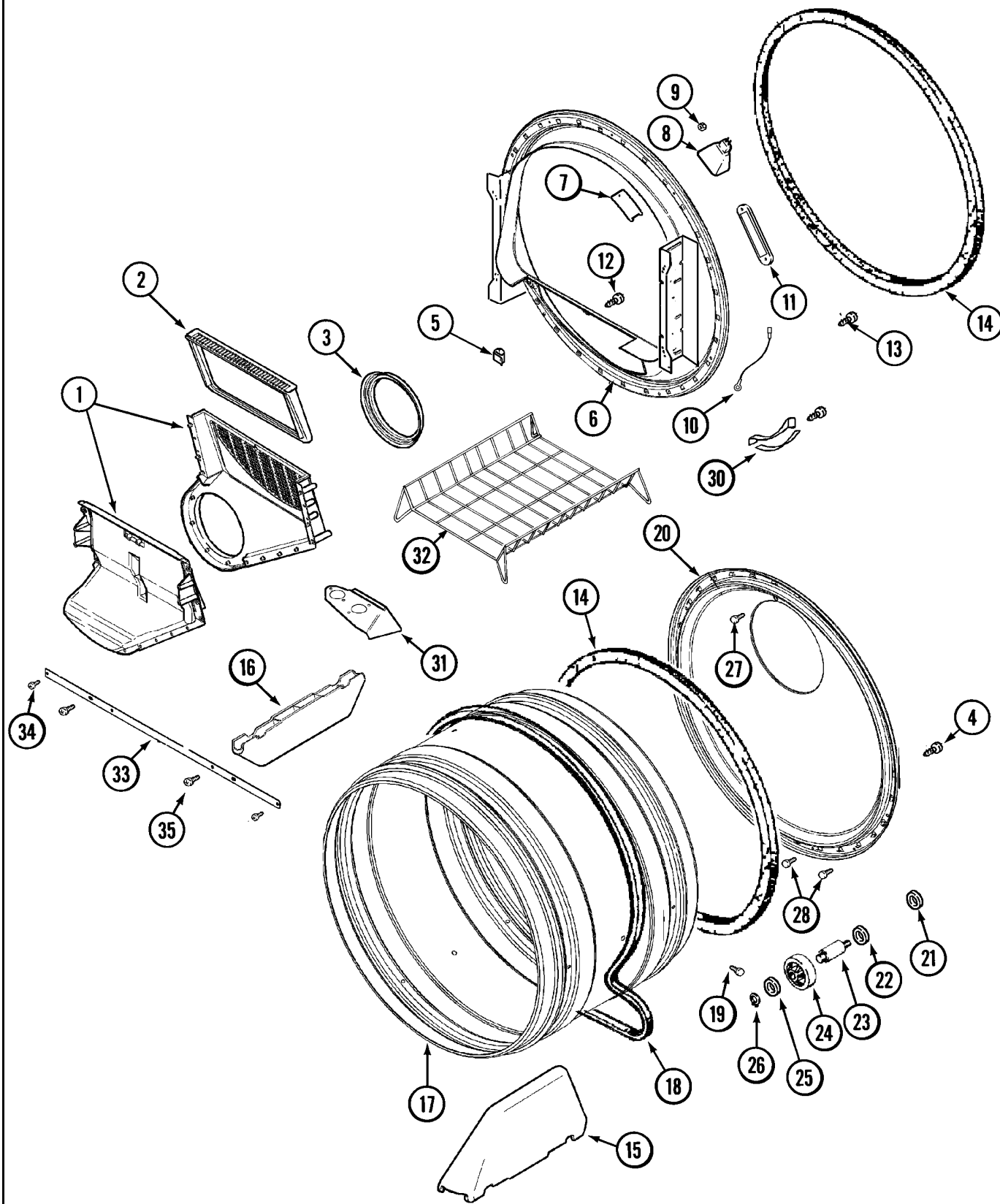
Section: CABINET-REAR (DRYER)

No.	Part No.	Description	Series	Qty
1	N 22003582	CABINET, ASSY. (WHT-AS PK)	36	1
1	22003639	CABINET ASSY. (WHT AS PK)	38	1
1	N 33002277	CABINET (WHT) Note: CABINET (WHT-UPR)	10	1
2	33002060	BRACKET, SECURITY	10	2
3	33001795	COVER, TERMINAL BLOCK	10	1
4	22001995	SCREW Note: SCREW, TERMINAL COVER	10	1
5	22001995	SCREW Note: SCREW, CABINET BACK	10	5
6	33002184	CORD, POWER	10	1
-	33002323	SHIELD, POWER CORD (102")	10	1
7	33002053	GROMMET, CORD	10	1
8	22002528	BRACKET, EXHAUST DUCT ASSY.	10	1
9	22001995	SCREW Note: SCREW, EXHAUST DUCT	10	2

*Color Code (-)=Not Shown #=Series, Serial Prefix or Run No., N=Not Available

Section: TUMBLER

Model: MLG2000AWW



LD13-36

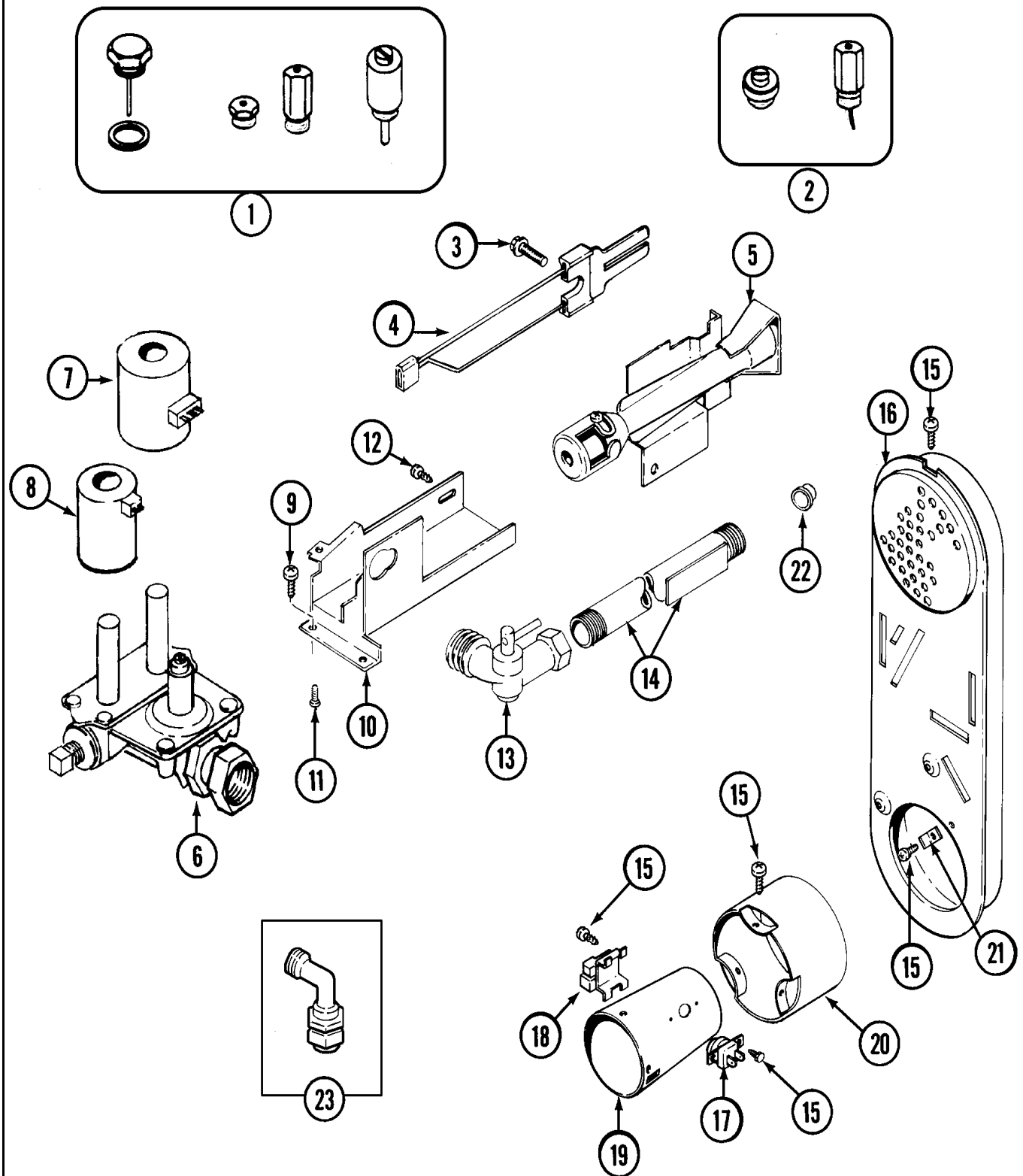
Section: TUMBLER

No.	Part No.	Description	Series	Qty
1	33001799	OUTLET DUCT ASSEMBLY Note: OUTLET DUCT ASSEMBLY	10	1
-	33002228	LABEL, POWER CORD WARNING	10	1
2	33001808	FILTER, LINT	10	1
3	33001758	SEAL, BLOWER	10	1
4	33002190	SCREW (#10-3/8")	10	4
5	310376	CLIP, WIRE HARNESS	10	1
6	33001868	FRONT, TUMBLER FRONT W/SENSOR Note: FRONT, TUMBLER (W/SEAL) (INCL. SENSOR/ LIGHT ASSY)	10	1
-	33001871	SCREW Note: SCREW, DRUM LIGHT	10	1
7	33001869	LENS, DRUM LIGHT	10	1
-	22002263	LAMP (10 WATT)	10	1
8	N 33001870	HOLDER, LAMP (W/HOUSING) Note: LAMP (W/HOUSING & HOLDER)	10	1
9	214872	PALNUT, END CAP Note: NUT, LAMP HOLDER	10	1
-	211294	SCREW Note: SCREW, GROUND WIRE SENSOR	10	1
10	303711	SENSOR GROUND WIRE Note: SENSOR, GROUND WIRE	10	1
-	22001078	SCREW Note: SCREW, SENSOR BAR ASSEMBLY	10	2
11	33001809	SENSOR BAR ASSY.	10	1
12	N 312311	SCREW----NA Note: SCREW, OUTLET DUCT (PHILLIPS)	10	1
13	33001855	SCREW (HEX HEAD) Note: SCREW, DUCT TO TUMBLER (HEX)	10	4
14	33001807	SEAL, TUMBLER	10	2
15	33001756	BAFFLE (TALL)	10	2
16	33001755	BAFFLE (SHORT)	10	1
17	33001889	TUMBLER	10	1
18	33001777	BELT, TUMBLER	10	1
19	33001788	SCREW, BAFFLE	10	6
20	33001801	BACK, TUMBLER (W/SEAL)	10	1
20	33003037	TUMBLER BACK & SEAL	91	1
21	33001443	NUT, HEX (ROLLER SHAFT)	10	2
22	313347	WASHER, SPRING (ROLLER SHAFT)	10	2
23	312948	SHAFT, TUMBLER ROLLER	10	2
24	303373	BEARING & ROLLER ASSEMBLY Note: ROLLER (W/BEARING)	10	2
25	312535	WASHER, ROLLER SHAFT	10	2
26	410233	RING, RETAINING	10	2
27	210932	SCREW, #8 X 9/16 CTSK Note: SCREW, INLET DUCT	10	1
28	22001996	SCREW Note: SCREW, INLET DUCT	10	2
29	210720	RIVET Note: RIVET, TUMBLER	10	4
30	306508	TUMBLER BEARING KIT	10	2
32	33001917	RACK, DRYING Note: RACK, DRYING (ACCESSORY ONLY)	10	1
33	33002039	BRACE, TUMBLER FRONT	10	1
34	22001995	SCREW	10	2
35	33001768	SCREW, SHROUD	10	2

*Color Code (-)=Not Shown #=Series, Serial Prefix or Run No., N=Not Available

Section: GAS VALVE (DRYER)

Model: MLG2000AWW



LD16-10

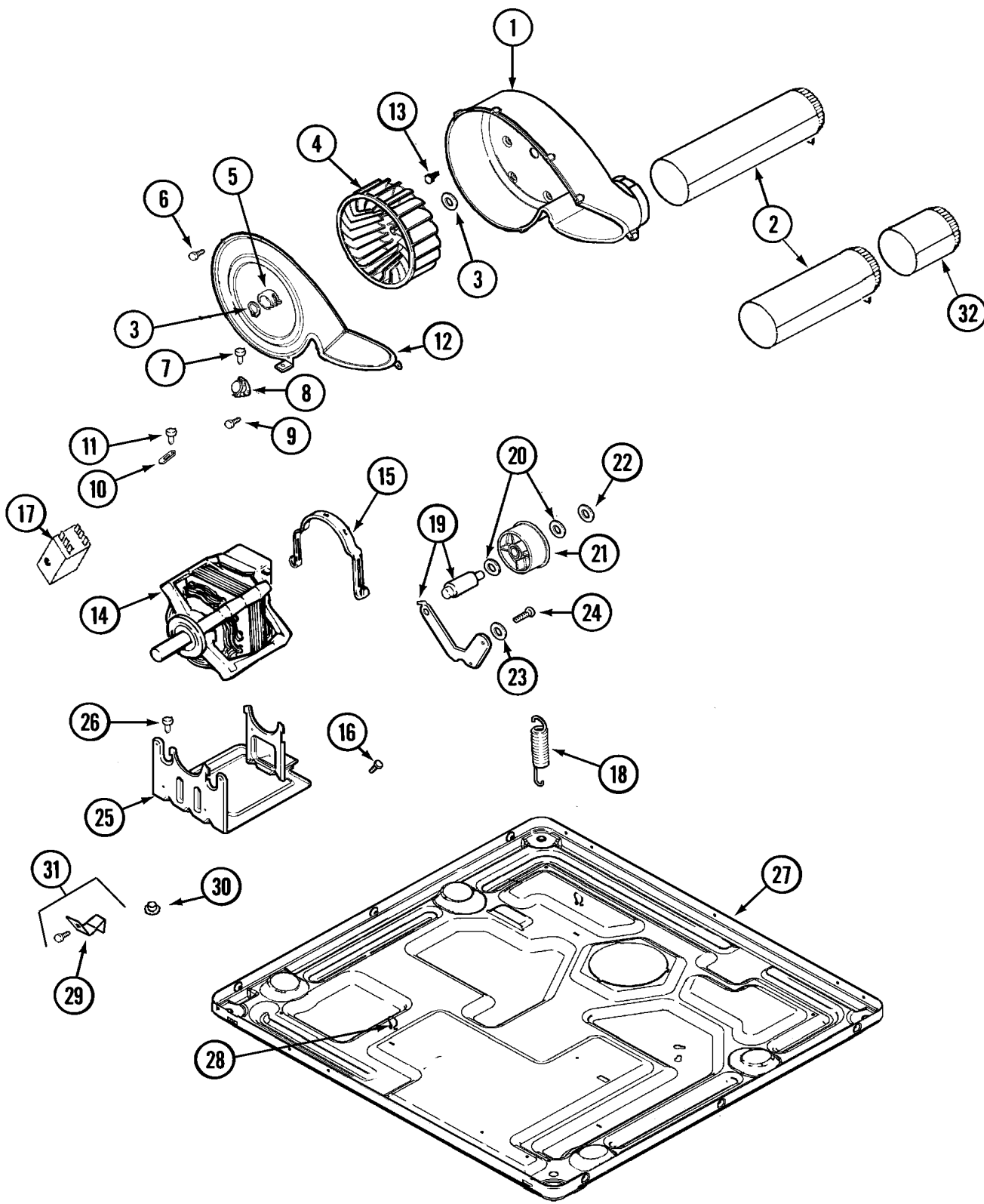
Section: GAS VALVE (DRYER)

No.	Part No.	Description	Series	Qty
1	306195	CONVERSION KIT (NATURAL TO LP) Note: CONVERSION KIT (NAT. TO LP)	10	1
2	306204	CONVERSION KIT (LP TO NATURAL) Note: CONVERSION KIT (LP TO NAT.)	10	1
3	304971	SCREW Note: SCREW, IGNITER GAS VALVE	10	1
-	33002789	IGNITER ASSEMBLY	69	1
4	304970	IGNITER ASSY, GAS VALVE	10	1
5	33001247	BURNER ASSY.	10	1
-	33002056	PLUG, HOLE	10	1
6	306176	VALVE, GAS	10	1
7	306106	COIL, HOLDING & BOOSTER	10	1
8	306105	COIL, SECONDARY	10	1
9	N 313561	SCREW----NA Note: SCREW, GAS VALVE	10	2
10	N 33002055	BRACKET, GAS VALVE----NA	10	1
11	314082	SCREW Note: SCREW, GAS VALVE	10	2
12	22001995	SCREW Note: SCREW, GAS VALVE	10	1
13	306086	ANGLE SHUT OFF FOR GAS VALV Note: VALVE, ANGLE GAS	10	1
14	33002220	PIPE & BRACKET ASSY.	10	1
15	211294	SCREW Note: SCREW, DUCT	10	9
16	33003039	ASSY,INLET DUCT-GAS	91	1
16	33001810	DUCT ASSY., INLET (GAS)	10	1
17	303395	THERMOSTAT, HI-LIMIT (GAS)	10	1
18	303377	SENSOR, RADIANT	10	1
19	33001835	CONE ASSY., COMBUSTION	10	1
20	303841	CONE, EXTENSION (COMBUSTION)	10	1
21	312890	RETAINER, HEATER CHAMBER	10	1
22	33001693	CAP, GAS PIPE	10	1
23	33002236	ANGLE CONNECTOR ASSY.	10	1

*Color Code (-)=Not Shown #=Series, Serial Prefix or Run No., N=Not Available

Section: MOTOR DRIVE (DRYER)

Model: MLG2000AWW



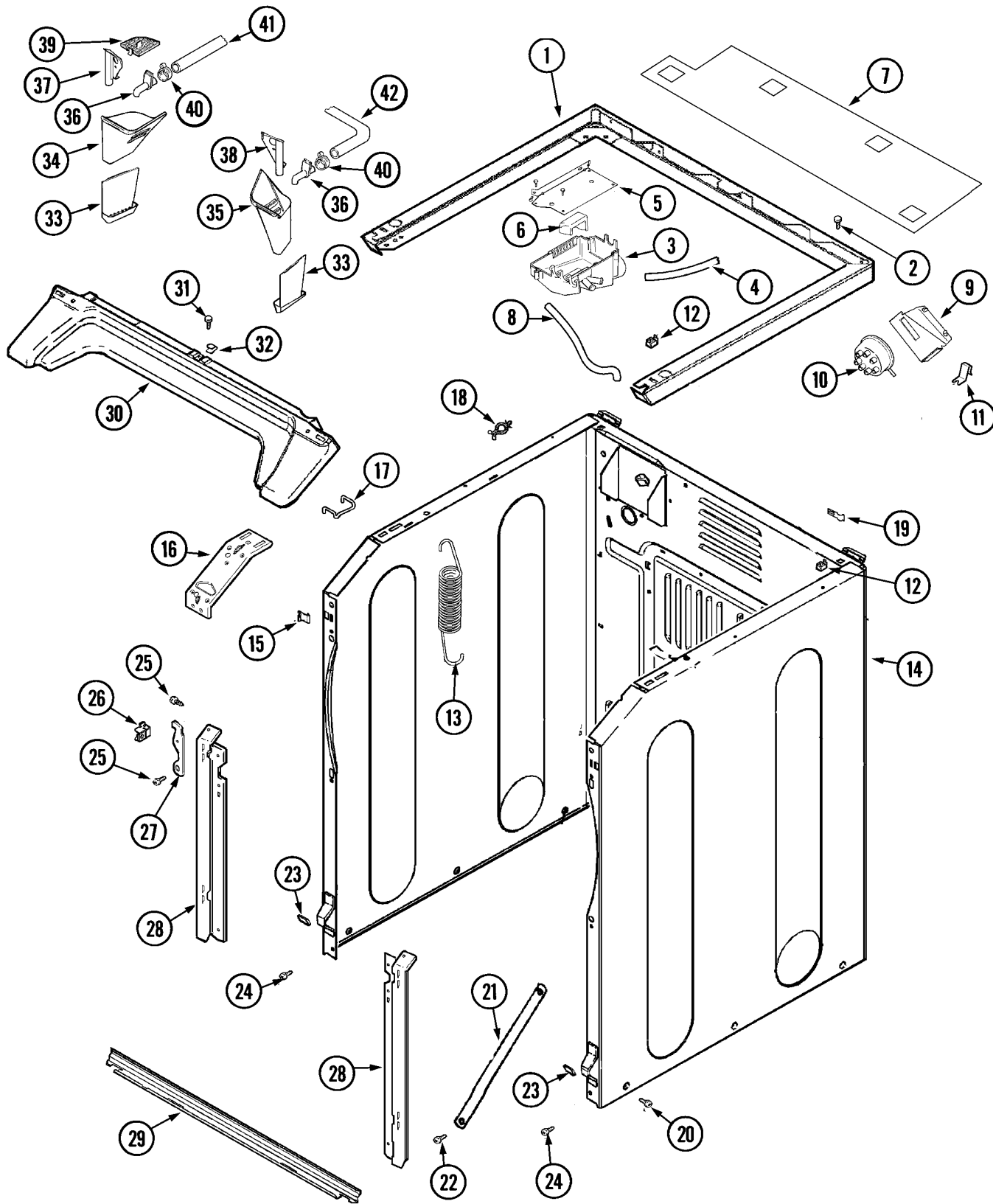
Section: MOTOR DRIVE (DRYER)

No.	Part No.	Description	Series	Qty
1	33001789	HOUSING, BLOWER	10	1
2	33002570	DUCT, EXHAUST (REAR)	24	1
2	33002185	DUCT ASSY., EXHAUST	10	1
-	22001995	SCREW Note: SCREW, EXHAUST DUCT ASSEMBLY	10	1
-	33002321	SEAL, EXHAUST	10	1
3	410233	RING, RETAINING	10	2
-	33002797	WHEEL, BLOWER	65	1
4	33001790	WHEEL, BLOWER	10	1
5	312967	CLAMP, BLOWER HOUSING	10	1
6	33001855	SCREW (HEX HEAD) Note: SCREW, HOUSING COVER	10	8
7	N 313561	SCREW----NA Note: SCREW, HOUSING COVER	10	1
8	306910	THERMOSTAT, MULTI TEMP (GAS)	10	1
9	22001996	SCREW Note: SCREW, THERMOSTAT	10	4
10	33001762	FUSE, THERMAL (W' BRACKET)	10	1
11	22001996	SCREW Note: SCREW, THERMAL CUT-OFF	10	1
12	33001796	COVER, BLOWER HOUSING	10	1
13	314818	SCREW Note: SCREW, BLOWER HOUSING	10	4
14	33002237	MOTOR (W/PULLEY)	10	1
14	33002462	MOTOR (120V 60HZ)	15	1
-	33002795	MOTOR, DRIVE 60HZ	65	1
14	33002478	MOTOR	18	1
15	015825	CLIP, MOTOR	10	2
16	910343	SCREW, GROUND WIRE	10	1
17	33001854	SWITCH, MOTOR	10	1
18	33001754	SPRING, IDLER	10	1
18	33002157	GROMMET	10	1
-	33002459	ASSEMBLY, SPRING & PLUG	22	1
19	33001840	IDLER ARM & SHAFT ASSY.	10	1
20	312527	WASHER, IDLER SHAFT (QTY-1)	10	2
21	33001783	BEARING, IDLER ASSEMBLY	10	1
22	312958	RETAINING RING, IDLER SHAFT	10	1
23	315772	SLEEVE, IDLER ARM	10	1
24	014874	SCREW	10	1
25	33001752	SUPPORT, MOTOR	10	1
26	N 313561	SCREW----NA Note: SCREW, MOTOR SUPPORT	10	2
-	33002049	STRIP, GROMMET	10	2
-	22001078	SCREW Note: SCREW, TRANSFORMER	10	2
-	33002186	TRANSFORMER	10	1
27	33002467	BASE (UPR)	38	1
27	33002041	BASE (UPR)	10	1
-	314568	SCREW-GAS VALVE TO BRACKET Note: SCREW, HARNESS PROTECTOR	10	2
-	315218	SHIELD, XFMR Note: SHIELD, TRANSFORMER	10	1
-	33002050	PROTECTOR, HARNESS	10	2
-	410490	SPRING, WIRE HARNESS	10	2
28	315471	RETAINER, WIRE	10	2
29	33002042	BRACKET (LT)	10	1
-	22001995	SCREW Note: SCREW, BRACKET	10	2
29	33002043	BRACKET (RT) Note: (RT)	10	1
-	33002502	BRACKET, SUPPORT (RH) Note: BRACKET, SUPPORT (RT)	20	1
-	33002503	BRACKET, SUPPORT (LH) Note: (LT)	20	1
30	33002044	GUIDE	10	2
31	N 12001551	BRACKET/SCREW PACKAGE Note: (INCL RT/LT BRKT & SCREWS)	10	1
32	33002571	DUCT, EXHAUST (FRONT)	24	1

*Color Code (-)=Not Shown #=Series, Serial Prefix or Run No., N=Not Available

Section: CABINET-FRONT (WASHER)

Model: MLG2000AWW



LD12-43

Section: CABINET-FRONT (WASHER)

No.	Part No.	Description	Series	Qty
1	33002187	SUPPORT WELD ASSY, WHITE	10	1
2	22001883	SCREW Note: SCREW, SUPPORT	10	4
-	33001855	SCREW (HEX HEAD) Note: SCREW, TUB VENT	10	4
3	22002439	VENT, TUB ----SUB	10	1
4	22002464	HOSE Note: HOSE, VENT	10	1
5	33002189	BRACKET, VENT MOUNTING	10	1
-	33002190	SCREW (#10-3/8") Note: SCREW, BRACKET	10	1
6	22002440	DEFLECTOR, VENT	10	1
7	33002191	WIRE SHIELD	10	1
-	33002192	CLIP, SHIELD	10	4
8	33002193	SHOWER HOSE	10	1
-	205161	CLAMP - 15/16" Note: CLAMP, HOSE	10	2
9	33002188	SUPPORT, PRESSURE SWITCH	10	1
-	310376	CLIP, WIRE HARNESS	10	1
10	22002048	SWITCH, PRESSURE	10	1
10	22002994	SWITCH, PRESSURE	17	1
-	22002006	CLIP Note: CLIP, WIRE HARNESS	10	1
11	22002244	CLIP, GROUNDING	10	1
12	33002194	NUT, SPEED	10	2
13	22003254	SPRING, CABINET	76	1
13	22002100	SPRING	10	2
14	22002548	CABINET ASSY. (WHT)	10	1
14 N	22003582	CABINET, ASSY. (WHT-AS PK)	36	1
15	22002049	CLIP Note: CLIP, FRONT PANEL	10	2
-	33002474	BRACKET, CORNER (LT) Note: BRACKET, CORNER (LT)	17	1
-	22003908	VAPOR BARRIER	53	1
-	33002473	BRACKET, CORNER (RT)	17	1
-	22003638	SHROUD SUPPORT ASSEMBLY	37	1
16	33002095	BRACKET, CORNER (LT) Note: BRACKET, CORNER (LT)	10	1
16	33002010	BRACKET, CORNER (RT)	10	1
17	22002297	SUPPORT, SPRING	10	2
18	315471	RETAINER, WIRE	10	2
19	22002178	BRACKET, WATER SWITCH Note: BRACKET	10	1
20	213007	SCREW, CABINET	10	6
20	22003409	SCREW----NA Note: SCREW, CABINET (TRUSS)	36	6
21	22002259	BRACE, CROSS	10	2
22	33002190	SCREW (#10-3/8") Note: SCREW, CROSS BRACE	10	2
23	22002013	STOP, SHIPPING	10	2
24	33002190	SCREW (#10-3/8") Note: SCREW, CABINET	10	2
25	22001995	SCREW Note: SCREW, SHROUD SUPPORT	10	8
26	22002001	SUPPORT, HINGE	10	4
27	33002037	FASTENER, ACCESS COVER HOOK	10	2
28	22002035	BRACKET, SHROUD SUPPORT (LT) Note: BRACKET, SHROUD SUPPORT (LT)	10	1
28	22002034	BRACKET, SHROUD SUPPORT (RT)	10	1
29	22003638	SHROUD SUPPORT ASSEMBLY	69	1
29	22001993	BRIDGE, SHROUD SUPPORT	10	1
30	33002011	COVER, ACCESS (WHT)	10	1
31	22001995	SCREW Note: SCREW, ACCESS COVER	10	1
32	33002013	FASTENER CLIP, ACCESS COVER Note: FASTENER, ACCESS COVER	10	1
33	33002196	GRATE, OVERFLOW (RT) Note: GRATE, OVERFLOW (RT)	10	1
33	33002195	GRATE, OVERFLOW (LT)	10	1
34	33002197	CUP, BLEACH DISPENSER	10	1
35	33002198	CUP, FABRIC SOFTENER DISPENSER Note: CUP, FABRIC SOFTENER DISP.	10	1
36	33002199	SPOUT, DISPENSER FILL	10	2
37	33002200	CAP, BLEACH DISPENSER	10	1
38	33002201	CAP, FABRIC SOFTENER	10	1

*Color Code (-)=Not Shown #=Series, Serial Prefix or Run No., N=Not Available

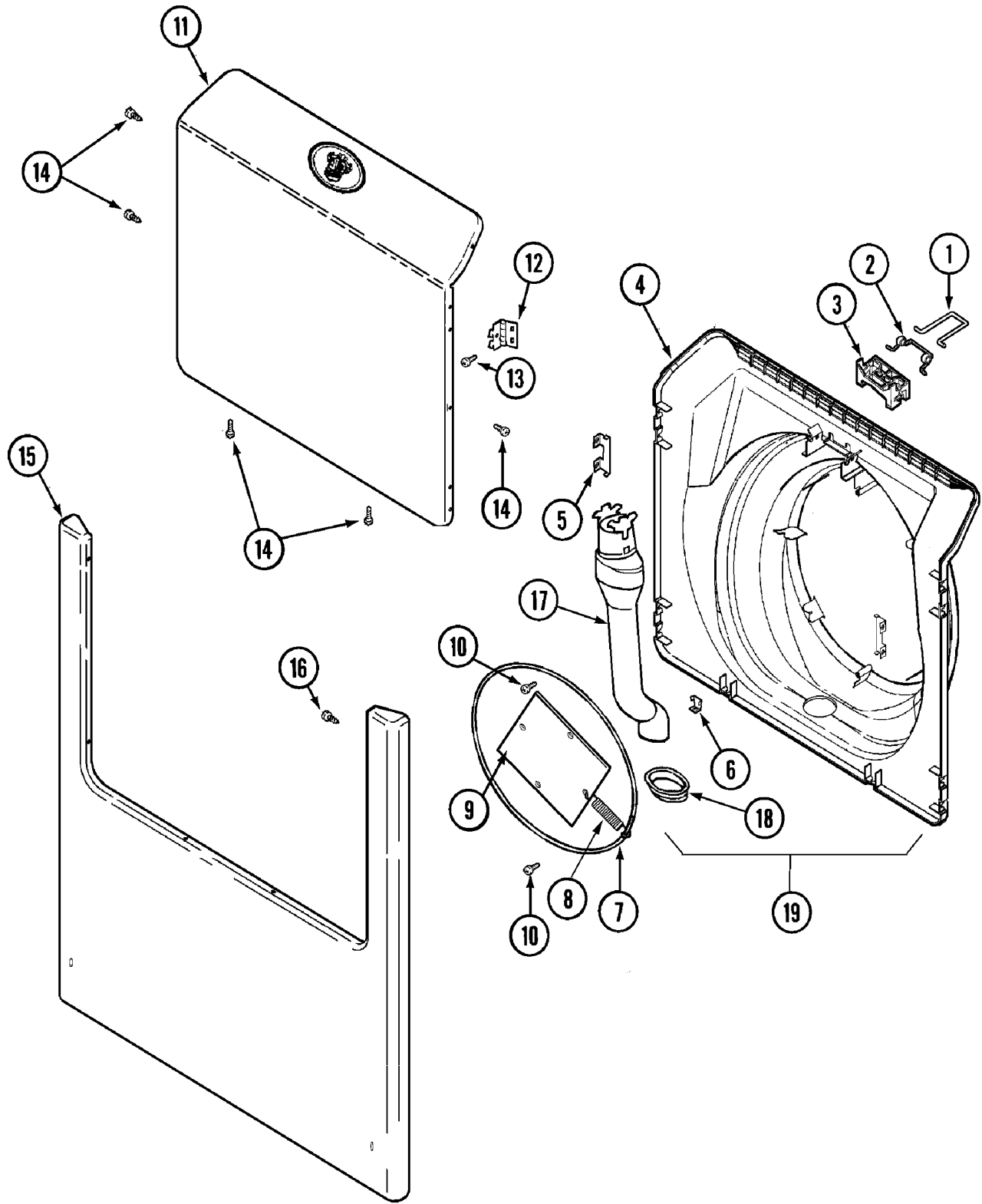
Section: CABINET-FRONT (WASHER)

No.	Part No.	Description	Series	Qty
39	33002204	SCREEN, BLEACH CUP	10	1
40	205161	CLAMP - 15/16"	10	2
41	33002207	HOSE, BLEACH	10	1
-	22003653	RETAINER, DISPENSER HOSE	69	1
42	33002208	HOSE, FABRIC SOFTENER	10	1
-	22003820	WIRE HARNESS / HH / UNBALANCE	45	1
-	22002006	CLIP	45	1
-	22002694	WIRE HARNESS, MAIN Note: WIRE HARNESS, MAIN (LWR)	10	1
-	22002526	PIN (16 GAGE)	10	2
-	22002525	PIN (18 GAGE)	10	23
-	22002523	CONNECTOR (LOWER)	10	2
-	22003837	DISPENSER HOSE Note: DISPENSER TO TUB	10	1

*Color Code (-)=Not Shown #=Series, Serial Prefix or Run No., N=Not Available

Section: DOOR & FRONT PANEL (WASHER)

Model: MLG2000AWW



LW18-9

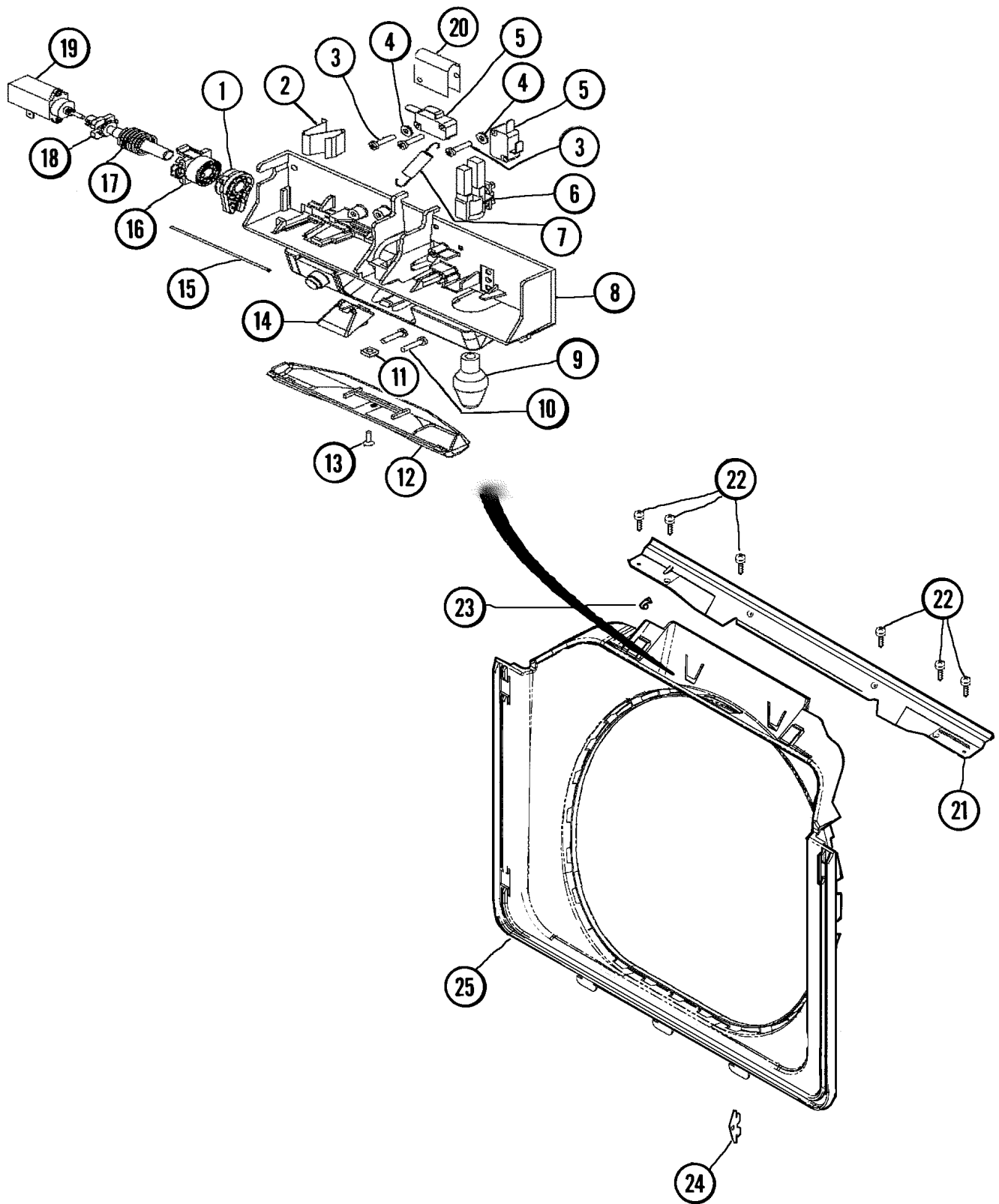
Section: DOOR & FRONT PANEL (WASHER)

No.	Part No.	Description	Series	Qty
1	22002002	HOOP, LOCK	10	1
2	22002003	SPRING, LATCH	10	1
3	22002168	SUPPORT, LOCK HOOP	10	1
4	22002539	DOOR, INNER (W/VENT-WHT)	10	1
4	22002168	SUPPORT, LOCK HOOP	10	1
4	22003076	DOOR, INNER (WHT)	23	1
-	22003800	INNER DOOR/VENTED (ASPK-WHT)	46	1
5	22002038	CLIP, DOOR (DOUBLE)	10	4
6	22002039	CLIP, DOOR (SINGLE)	10	2
7	22002104	WIREFRAME	10	1
8	22002356	SPRING, PLATE	10	4
9	22002094	PLATE	10	1
10	22002007	SCREW Note: SCREW, WIRE FRAME	10	2
11	22002260	PANEL, DOOR (WHT-W/MEDALLION)	10	1
12	22002798	HINGE, DOOR	10	2
13	22002062	SCREW Note: SCREW, HINGE	10	4
14	22002063	SCREW #8-18AB WAFER HD	10	6
15	22002241	PANEL, FRONT (WHT)	10	1
16	22002012	SCREW, HINGE	10	4
-	22002244	CLIP, GROUNDING	10	1
17	22002990	VENT TUBE ASSEMBLY	23	1
18	22003075	GROMMET, VENT TUBE	23	1
19	22003083	LINER, DOOR ASSY W/VENT (WHT)	23	1
-	22003908	VAPOR BARRIER	86	1

*Color Code (-)=Not Shown #=Series, Serial Prefix or Run No., N=Not Available

Section: DOOR SHROUD & DOOR LATCH ASSEMBLY (WASH)

Model: MLG2000AWW



CW10-28

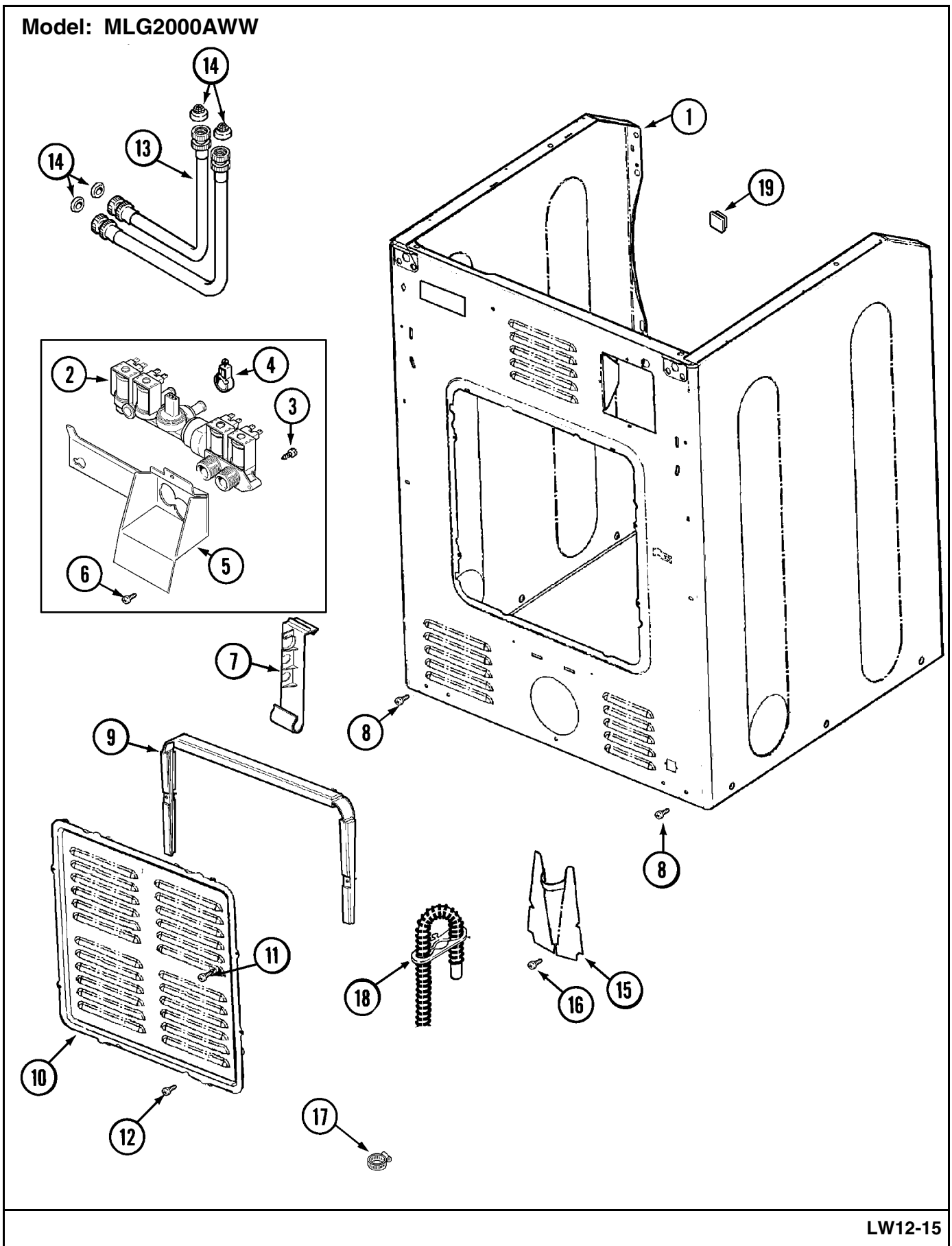
Section: DOOR SHROUD & DOOR LATCH ASSEMBLY

No.	Part No.	Description	Series	Qty
1	22003716	ROTATING GEAR, LATCH	10	1
2	22003717	SPRING, LATCH	10	1
3	22001352	SCREW, CHECK SWITCH	10	3
4	22002165	WASHER, DOOR LOCK SWITCH	10	2
5	22002162	SWITCH, DOOR LOCK SPIN ENABLE	10	2
6	22002433	BULB HOLDER ASSEMBLY	10	1
7	22002158	SPRING, GEAR RETURN	10	1
8	22003067	SWITCH HOLDER ASSEMBLY	10	1
9	22002263	LAMP (10 WATT)	10	1
10	22003719	SCREW, LATCH	10	2
11	22003720	NUT, LATCH	10	1
12	22002434	COVER, BULB	10	1
13	22002435	SCREW	10	1
14	22003055	RAMP, DOOR HOOP	10	1
15	22002164	CABLE, DOOR	10	1
16	22003715	SLIDING GEAR, LATCH	10	1
17	22003721	SPRING, AXLE / LATCH	10	1
18	22003718	AXLE, LATCH	10	1
19	22002119	MOTOR, WAX	10	1
20	22004256	SHIELD	10	1
21	33002202	SUPPORT, DOOR LOCK	10	1
-	22003908	VAPOR BARRIER	53	1
22	22001995	SCREW	10	5
23	22002014	CLIP	10	1
-	33001764	COVER, HINGE HOLE (WHT)	44	2
-	33001787	SCREW, HINGE	44	2
24	22002095	COVER, HINGE (WHT)	10	2
25	22002506	SHROUD/DISPENSER HOSE ASSY.	10	1

*Color Code (-)=Not Shown #=Series, Serial Prefix or Run No., N=Not Available

Section: CABINET-REAR (WASHER)

Model: MLG2000AWW



LW12-15

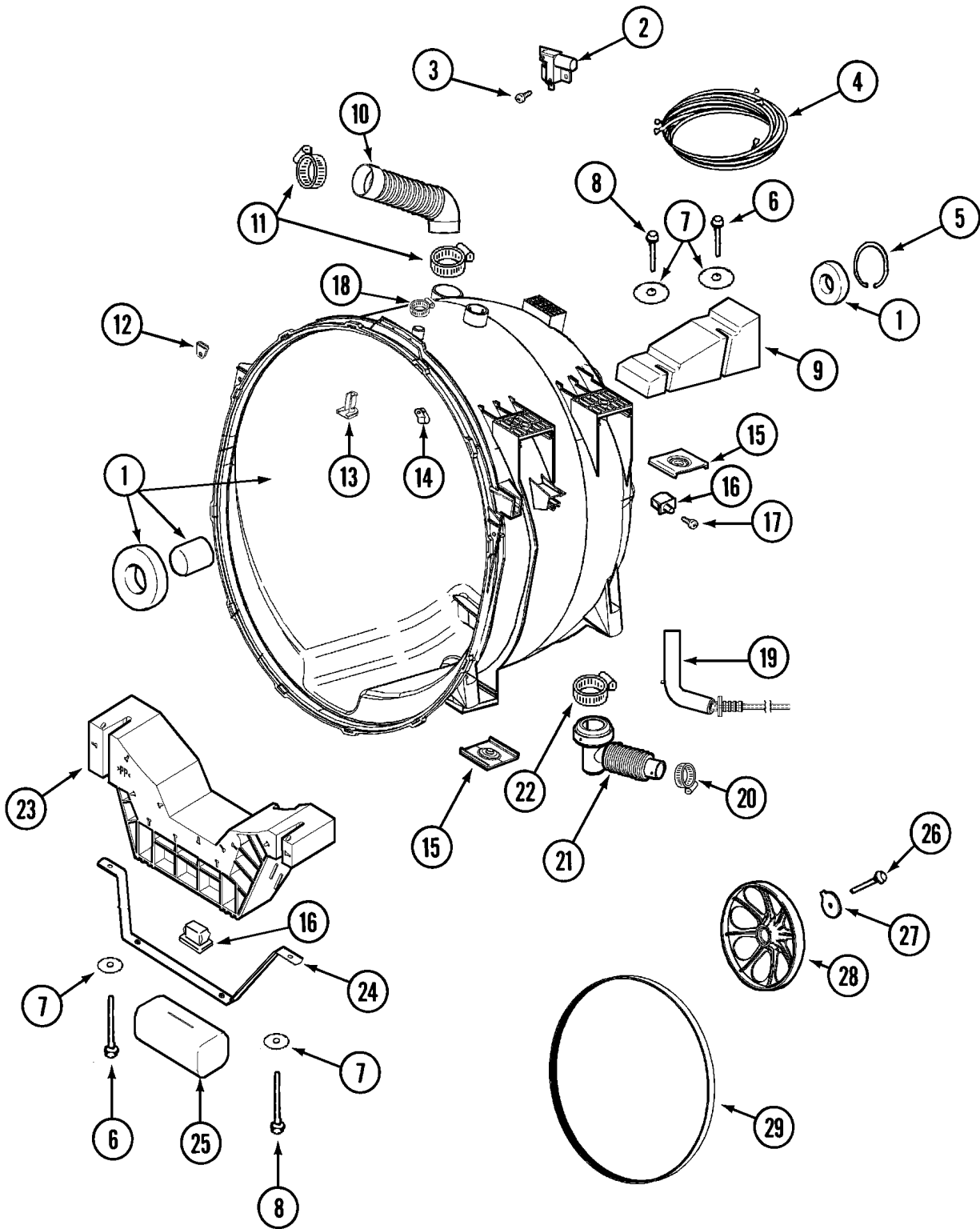
Section: CABINET-REAR (WASHER)

No.	Part No.	Description	Series	Qty
-	22001995	SCREW Note: SCREW, HINGE	36	2
-	213007	SCREW, CABINET	38	1
1	22002548	CABINET ASSY. (WHT)	10	1
-	22003367	HINGE, PLASTIC	36	2
1 N	22003582	CABINET, ASSY. (WHT-AS PK)	36	1
2	22002437	VALVE, WATER	10	1
3	22002436	SCREW Note: SCREW, WATER VALVE	10	1
4	205161	CLAMP - 15/16"	10	3
5	33002212	BRACKET, WATER VALVE	10	1
6	22001996	SCREW Note: SCREW, WATER VALVE BRACKET	10	2
7	33002213	RACK, HOSE	10	1
8	22001995	SCREW Note: SCREW, CABINET	10	2
9	22002022	SPACER, ACCESS PANEL	10	1
10	22004355	REAR ACCESS PANEL	78	1
10	22002092	PANEL, ACCESS	10	1
11	22002295	SCREW Note: SCREW, ACCESS PANEL SPACER	10	2
11	22002925	SCREW	78	2
12	22001996	SCREW Note: SCREW, ACCESS PANEL	10	2
13	33002214	HOSE ASSY., INLET	10	2
14	013783	GASKET, INLET HOSE Note: WASHER, INLET HOSE	10	4
15	22002093	COVER, DRAIN HOSE	10	1
16	22001995	SCREW Note: SCREW, DRAIN HOSE COVER	10	1
17	22001984	CLAMP, DRAIN HOSE	10	1
-	22002893	TIE, CABLE	10	1
-	22002892	RETAINER, DRAIN HOSE	10	1
-	22002891	HOSE, DRAIN	10	1
18	12001659	DRAIN HOSE REPLACEMENT(NEPTUN) Note: DRAIN HOSE KIT (CORRUGATED) (INCLUDES THE FOLLOWING PARTS)	10	1
19 N	215950	PLUG, HOLE	10	1

*Color Code (-)=Not Shown #=Series, Serial Prefix or Run No., N=Not Available

Section: OUTER TUB (WASHER)

Model: MLG2000AWW



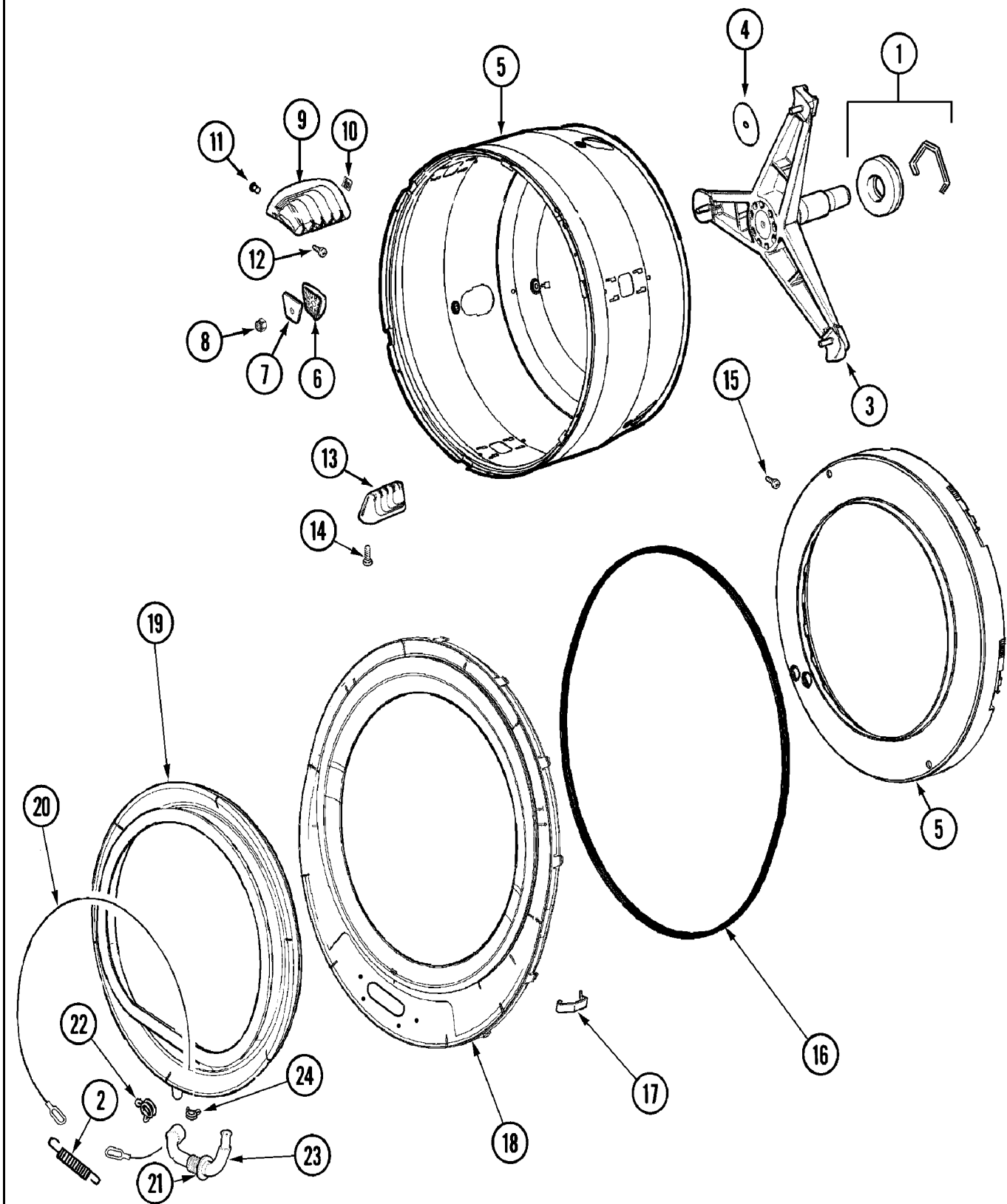
Section: OUTER TUB (WASHER)

No.	Part No.	Description	Series	Qty
1	22002154	TUB ASSY. (OUTER) Note: (SPACER & BEARINGS AVAILABLE ONLY WITH OUTER TUB ASSY.)	10	1
1	22004465	OUTER TUB ASSY, AS PACK	81	1
-	22002006	CLIP Note: CLIP, UNBALANCE SWITCH (ATTACHED TO OUTER TUB)	10	2
-	22003837	DISPENSER HOSE	10	1
-	22003302	SWITCH, INTERNAL UNBALANCE	55	1
2	22002045	SWITCH, INERTIAL - UNBALANCE	10	1
-	22002061	SCREW	55	1
3	22002300	SCREW	10	2
4	33002216	WIRE HARNESS, UNBALANCE /COMM	10	1
5	N 22001981	RING, RETAINING	10	1
6	22001991	BOLT Note: BOLT (LONG)	10	1
6	33002973	SCREW, #9-15 X 1.00 HX WS	86	2
6	22003828	PLATED BOLT, DOUBLE SEMS SU	76	1
7	N 22002067	WASHER, COUNTER BALANCE	10	2
8	22002056	BOLT Note: BOLT (SHORT)	10	1
8	33002973	SCREW, #9-15 X 1.00 HX WS	86	2
8	22003828	PLATED BOLT, DOUBLE SEMS SU	76	1
9	22002102	WEIGHT, COUNTER BALANCE	10	1
10	22002083	HOSE, INJECTOR	10	1
11	22002052	CLAMP, INJECTOR HOSE	10	2
12	22002103	CLIP, U	10	2
13	22002959	DEFLECTOR, WATER	23	1
13	22002004	DEFLECTOR, WATER	10	1
14	22002006	CLIP Note: CLIP, WIRE HARNESS & OUTER TUB	10	2
-	22002061	SCREW	10	1
15	22002065	NUT, COUNTER BALANCE	10	2
-	22002044	SWITCH, TUB DISPLACEMENT	55	1
16	22002044	SWITCH, TUB DISPLACEMENT	10	1
17	22002061	SCREW Note: SCREW, DISPLACEMENT SWITCH	10	2
18	202515	HOSE CLAMP - 1-1/16 INCH Note: CLAMP, HOSE	10	1
19	22002483	HOSE, AIR DOME (SHORT)	10	1
20	22001984	CLAMP, DRAIN HOSE	10	1
21	22002081	HOSE, TUB OUTLET	10	1
22	22002053	CLAMP, SUMP HOSE	10	1
23	22002579	FRONT WEIGHT BRACKET Note: WEIGHT ASSEMBLY (FRT)	10	1
-	22002006	CLIP Note: CLIP, UNBALANCE SWITCH HRNS (ATTACHED TO FRT WEIGHT ASSY)	10	1
23	22003826	LOWER BRACKET	76	1
23	22004472	BRACKET, LOWER	81	1
24	22002008	STRAP	10	1
25	22003827	CUSHION	76	1
25	22002011	CUSHION	10	1
26	22002057	SCREW, SPINNER	10	1
27	22002055	WASHER, SPINNER SHAFT	10	1
-	22003936	WASHER (1 1/4")	54	1
28	22001998	PULLEY, SPINNER	10	1
29	12001435	BELT KIT, DRIVE	10	1

*Color Code (-)=Not Shown #=Series, Serial Prefix or Run No., N=Not Available

Section: SPINNER ASSEMBLY & OUTER TUB COVER(WASH)

Model: MLG2000AWW



LW13-44

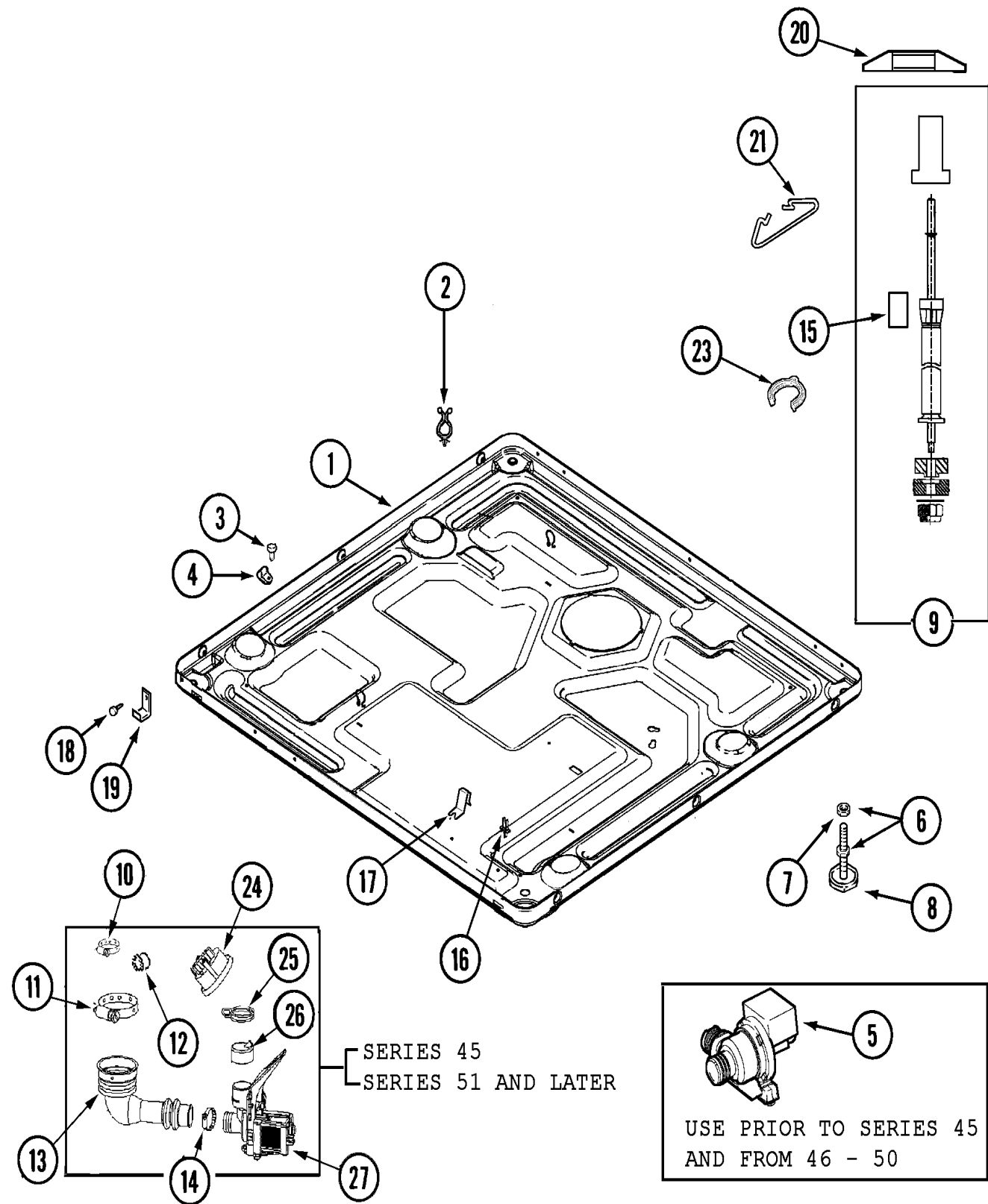
Section: SPINNER ASSEMBLY & OUTER TUB COVER(

No.	Part No.	Description	Series	Qty
1	12001478	LIP SEAL SVC ASSY.	10	1
-	12002022	LIP SEAL KIT	66	1
2	22002099	SPRING, TUB	10	1
3	22002897	SUPPORT ASSY., SPINNER	10	1
-	22002115	SPINNER ASSY. (W/BALANCE RING)	66	1
-	22002123	TUBE, MOLYKOTE	10	1
-	22004108	O RING	66	1
-	22003925	SPINNER SUPPORT ASSY AS PACK	54	1
4	22002023	WASHER, PLASTIC	10	3
-	22003263	SCREW	45	1
5	22002115	SPINNER ASSY. (W/BALANCE RING)	10	1
6	22002482	WASHER, PROFILE Note: WASHER, PROFILE	10	3
7	22002020	WASHER, SPINNER SUPPORT	10	3
8	22002122	NUT, SPINNER ATTACHMENT	10	3
9	22001985	BAFFLE, DRIP (REAR)	10	3
10	22002009	GROMMET, BAFFLE (REAR)	10	3
11	22001999	GROMMET, BAFFLE (FRT)	10	3
12	22002325	SCREW Note: SCREW, GROMMET	10	6
13	22001986	BAFFLE, DRIP (FRONT)	10	3
14	22002059	SCREW Note: SCREW, BAFFLE (FRONT)	10	6
15 N	22002028	SCREW, BALANCE RING Note: PART NEVER USED IN PRODUCTION	10	1
16	22002077	SEAL, TUB COVER	10	1
17	22002050	CLIP, TUB TO COVER	10	13
18	33002217	COVER, TUB (W/SEAL)	10	1
18	22002979	COVER, OUTER TUB (ASP)	14	1
-	22004254	COVER, TUB W/SEAL&CAPS ASPK	74	1
18	22003212	COVER, TUB (W/SEAL) (ASP)	23	1
19	22001978	BOOT, DOOR	10	1
19	12001772	KIT, DOOR BOOT W/DRAIN	23	1
20	22002327	BOOT CABLE CLAMP	10	1
21	22003074	GUARD, HOSE	23	1
22	22003072	CLAMP, HOSE DOUBLE WIRE	23	1
23	22003071	DOOR BOOT DRAIN HOSE	23	1
24	22003073	CLAMP, HOSE DOUBLE WIRE	23	1

*Color Code (-)=Not Shown #=Series, Serial Prefix or Run No., N=Not Available

Section: BASE (WASHER)

Model: MLG2000AWW



LW10-52

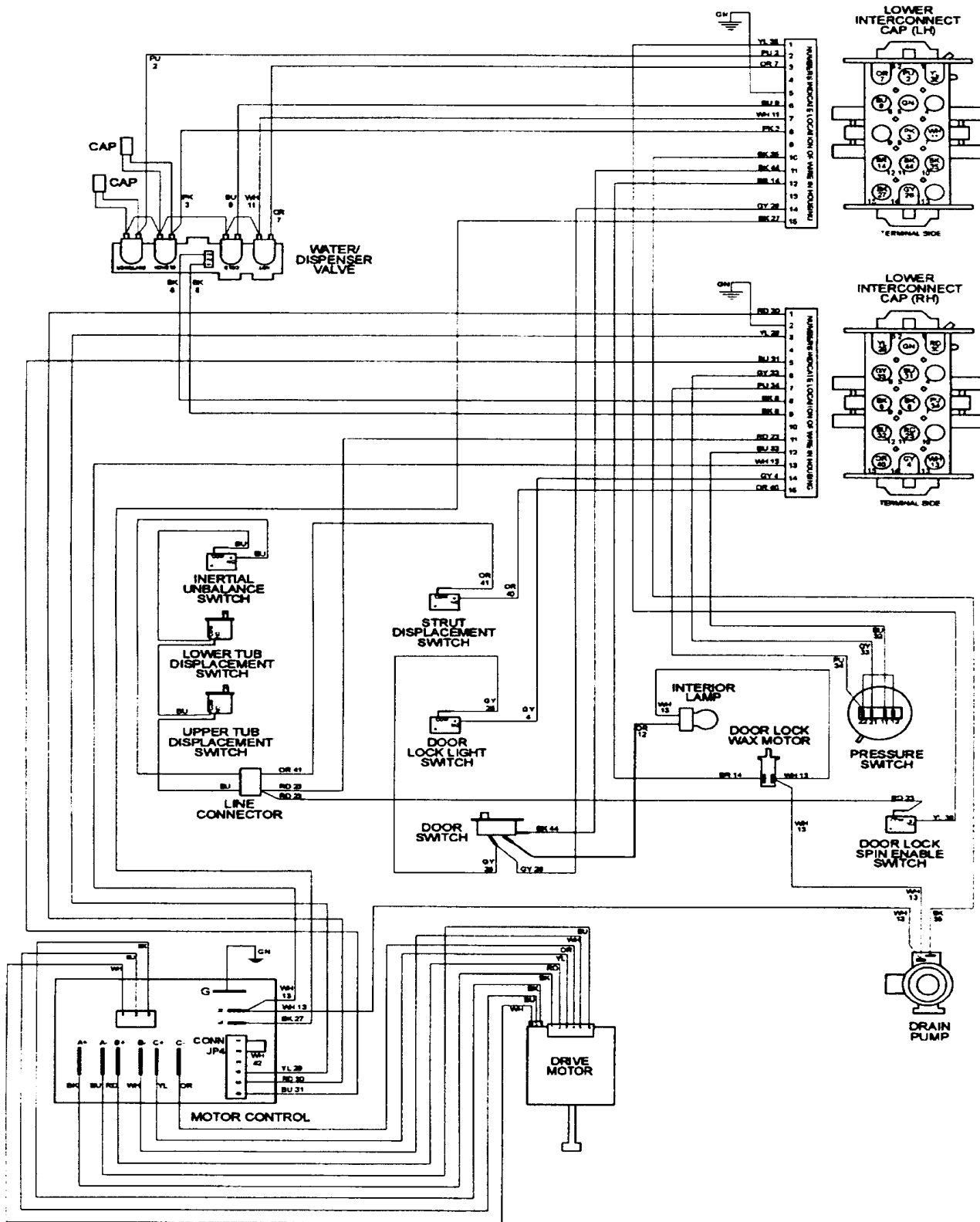
Section: BASE (WASHER)

No.	Part No.	Description	Series	Qty
1	22003605	BASE WELD ASSEMBLY	38	1
1	22003580	BASE, ASSEMBLY	36	1
1	22002240	BASE	10	1
2	33001989	RETAINER, WIRE	10	1
2	315471	RETAINER, WIRE	10	2
3	N 313561	SCREW---NA Note: SCREW, WIRE HARNESS CLIP	10	2
4	22002014	CLIP Note: CLIP, WIRE HARNESS	10	1
5	22003059	PUMP, DRAIN (80 WATT) Note: USE PRIOR TO SERIES 45 & FROM SERIES 46-50	10	1
6	22001915	ADJUSTABLE LEG & NUT	10	4
7	052740	NUT Note: NUT, LEG	10	4
8	210684	FOOT, RUBBER	10	4
9	22001988	STRUT ASSY-REAR	10	1
10	22003295	CLAMP, HOSE DOUBLE WIRE	45	1
11	22002053	CLAMP, SUMP HOSE	45	1
-	22003263	SCREW	45	1
12	22003261	PLUG, OUTER TUB	45	1
13	22003262	HOSE, TUB TO PUMP	45	1
14	22001984	CLAMP, DRAIN HOSE	45	1
15	22002307	SWITCH, STRUT DISPLACEMENT	10	2
16	N 313262	RETAINER, WIRE HARNESS	10	3
17	22002244	CLIP, GROUNDING	10	1
18	33002190	SCREW (#10-3/8") Note: SCREW, CLIP	10	2
19	22002239	CLIP, LOWER FRONT PANEL	10	2
20	33002222	DEFLECTOR, WATER Note: (ON LEFT STRUT ONLY)	10	1
21	33002223	RESTRAINER, TUBE	10	1
-	33002224	SLEEVING, BRAIDED	10	1
23	22003080	CLIP, AIRDOME HOSE	10	1
-	N 22003265	BAG, PLASTIC W/DRAWSTRING	45	1
24	22003727	PRESSURE SWITCH, PUMP MOUNTED Note: USE ON SERIES 45 AND 51 AND 5 PRIOR TO 45* FROM 46 - 50	LATER / USE ITEM 45	1
25	22002853	CLAMP, HOSE	45	1
26	22003268	CAP, RUBBER	45	1
27	22003244	PUMP	45	1

*Color Code (-)=Not Shown #=Series, Serial Prefix or Run No., N=Not Available

Section: WIRING INFORMATION

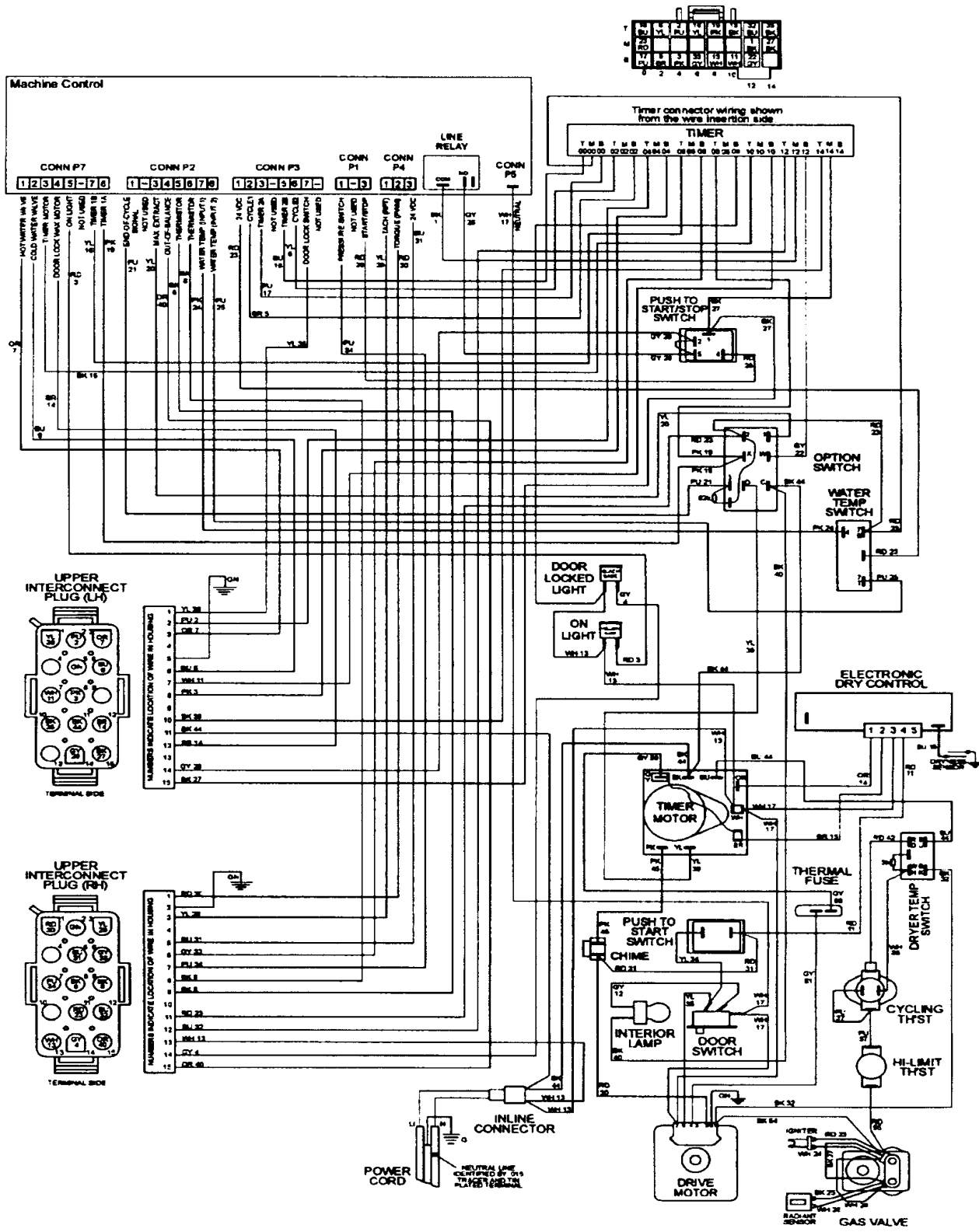
Model: MLG2000AWW



15002476

Section: WIRING INFORMATION

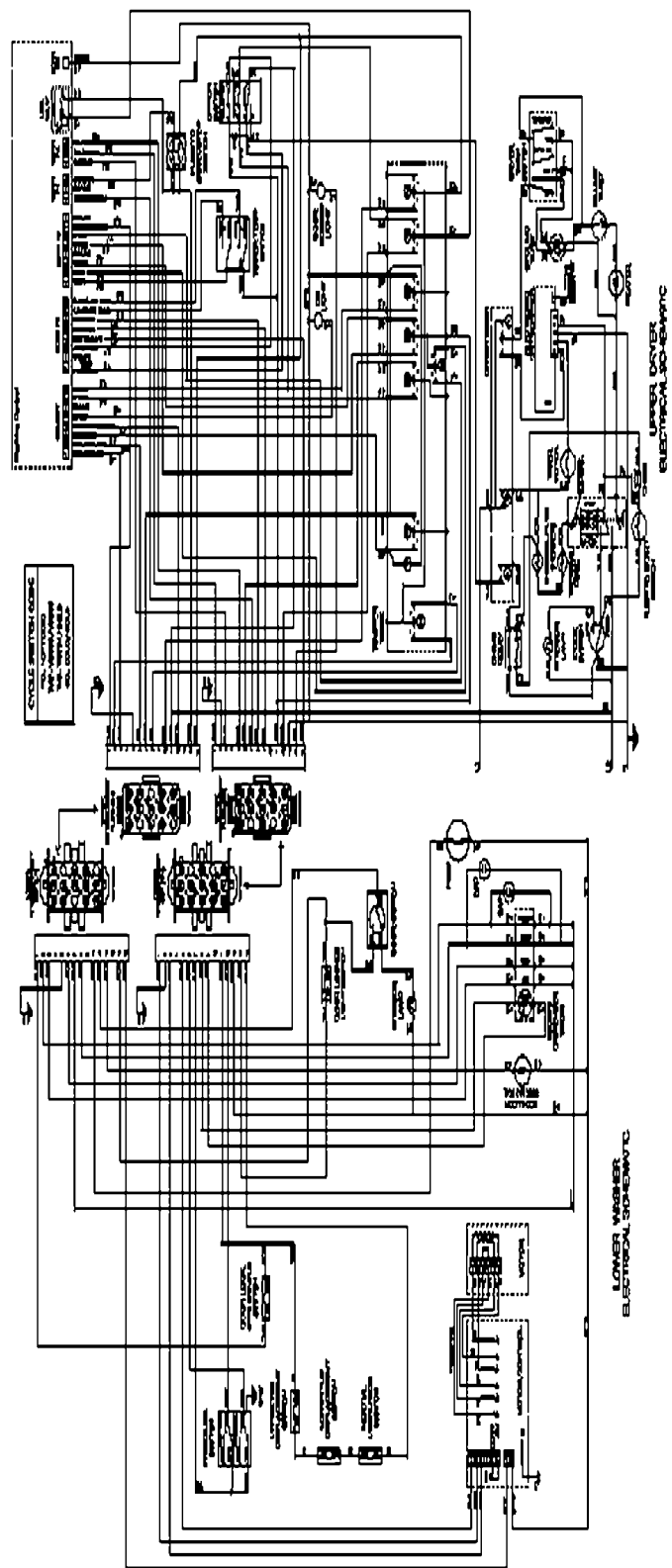
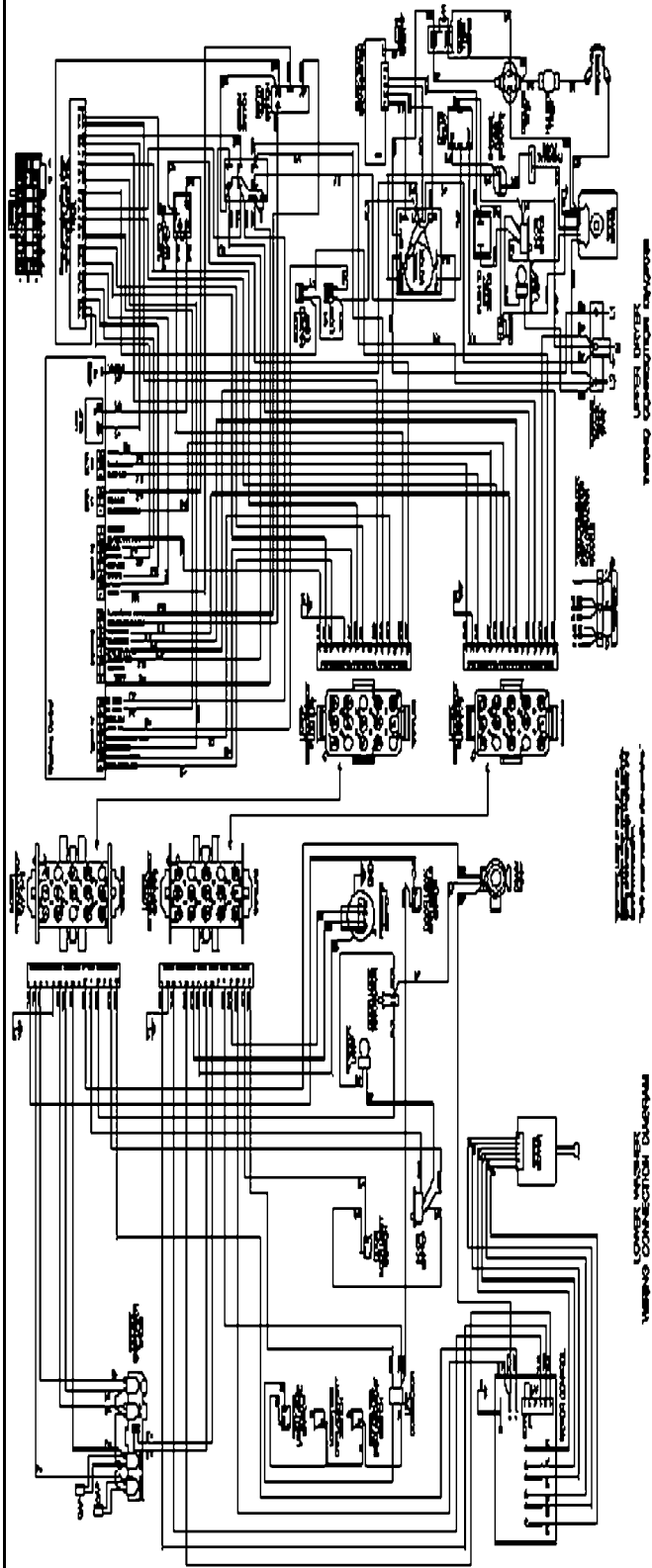
Model: MLG2000AWW



15002478

Section: WIRING INFORMATION

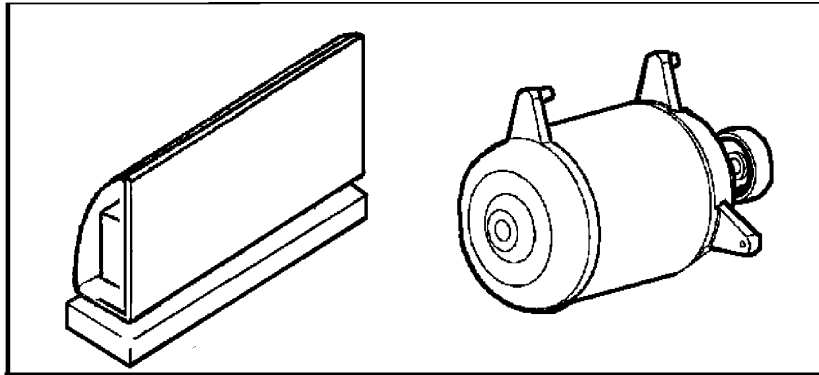
Model: MLG2000AWW



15002942









Section: MOTOR & MOTOR CONTROL

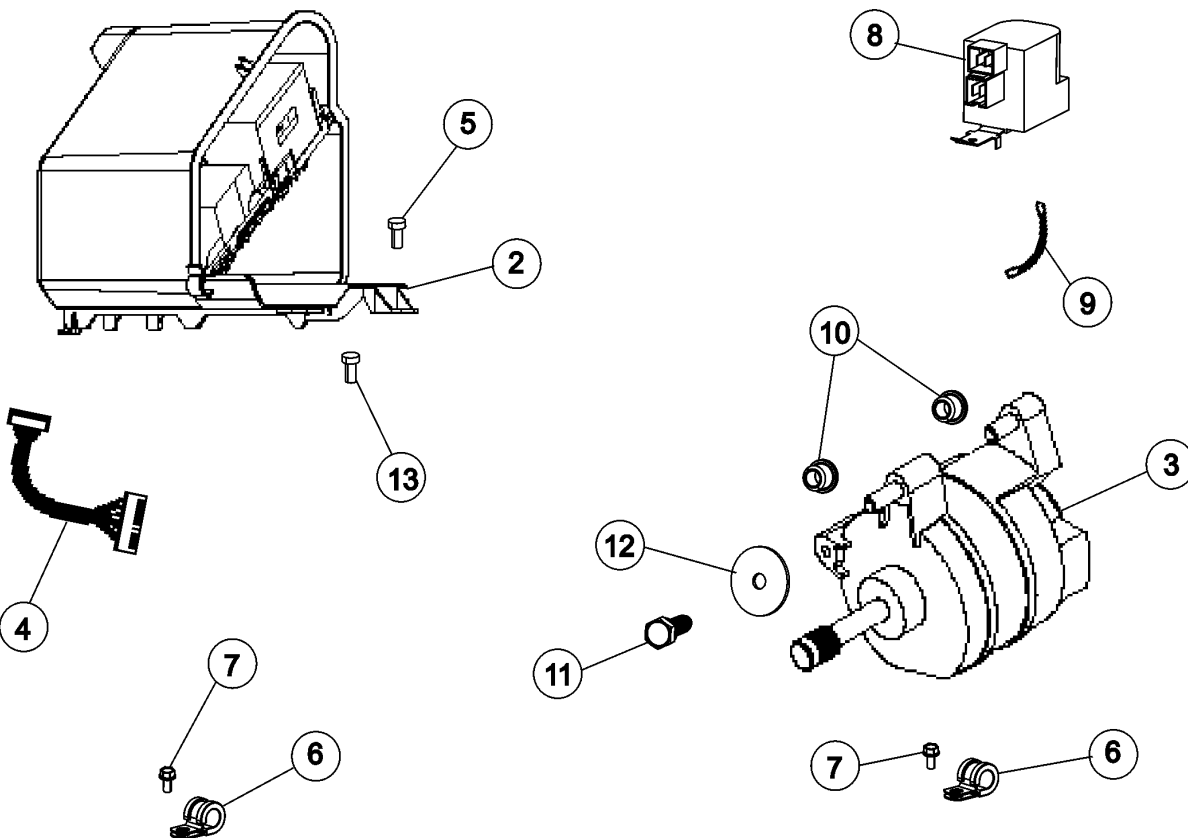
Model: MLG2000AWW



1 USE FOR ITEM 2 PRIOR TO SERIES 62

ITEM 1 - KIT CONTAINS:

							
12002040 Motor w/insulators	22004046 Motor Control Board	22004047 Motor Harness	22003854 AC Line Filter	22004102 "P" Clips (2)	22002300 Screw - "P" Clip to Motor	22004101 Lower Jumper Wire harness	22004103 Ground Screw



LW14-27

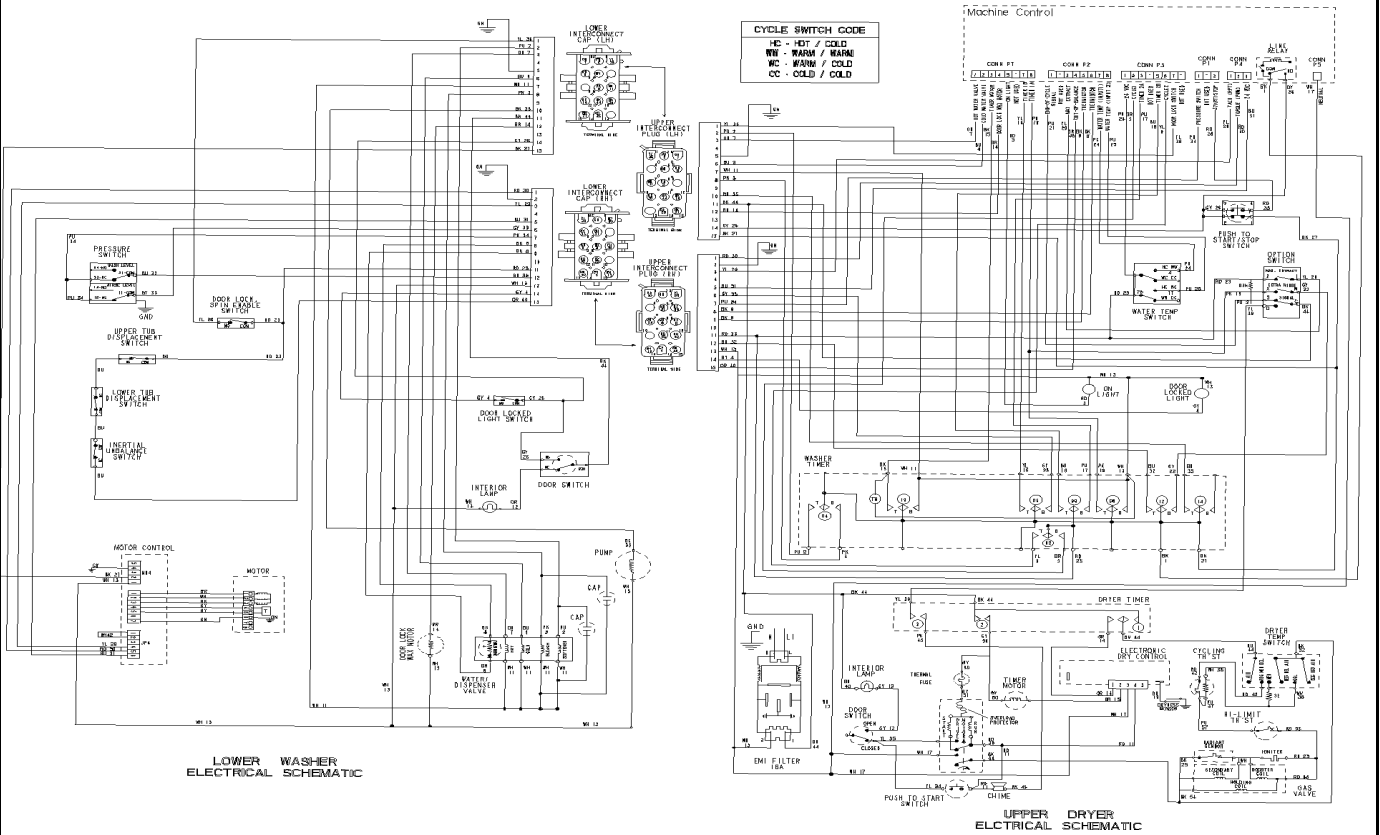
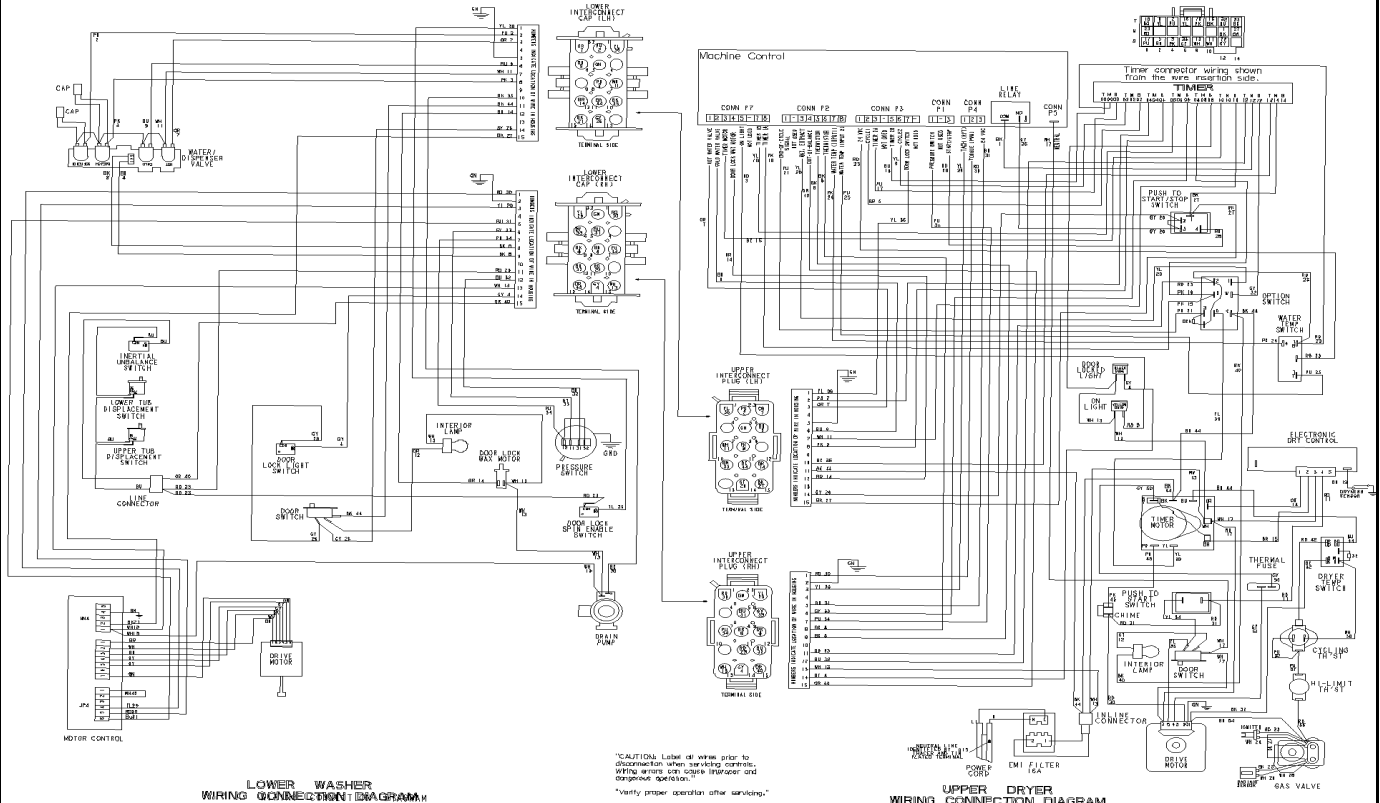
Section: MOTOR & MOTOR CONTROL

No.	Part No.	Description	Series	Qty
1	12002039	NEPTUNE MOTOR CONVERSION KIT	10	1
2	22001995	SCREW	87	2
2	22004473	MOTOR CONTROL ASSEMBLY	90	1
2	22004473	MOTOR CONTROL ASSEMBLY	89	1
2	22002470	CONTROL ASSY., MOTOR	10	1
2	22004046	CONTROL ASSY., MOTOR	78	1
2	22003249	CONTROL ASSY., MOTOR	27	1
2	22004473	MOTOR CONTROL ASSEMBLY	87	1
2	22001995	SCREW	89	2
3	22003856	MOTOR, VARIABLE SPEED	78	1
3	22003247	MOTOR, DRIVE (60HZ)	27	1
3	22003442	MOTOR, (156 T) 60HZ 120V	10	1
4	22004047	HARNESS, MOTOR/MOTOR CONTROL	10	1
4	2205140	HARNESS, WIRE	90	1
4	33001989	RETAINER, WIRE	78	1
4	2205083	HARNESS, WIRE----S	87	1
5	310632	SCREW	10	2
6	22002014	CLIP	10	2
6	33001989	RETAINER, WIRE	78	2
7	22002019	SCREW	10	2
8	22002058	BOLT, MOTOR	10	1
8	22003686	BOLT, MOTOR	39	1
9	22002320	WASHER, STRUT	10	1
10	22002082	ISOLATOR, MOTOR	10	2

*Color Code (-)=Not Shown #=Series, Serial Prefix or Run No., N=Not Available

Section: WIRING INFORMATION

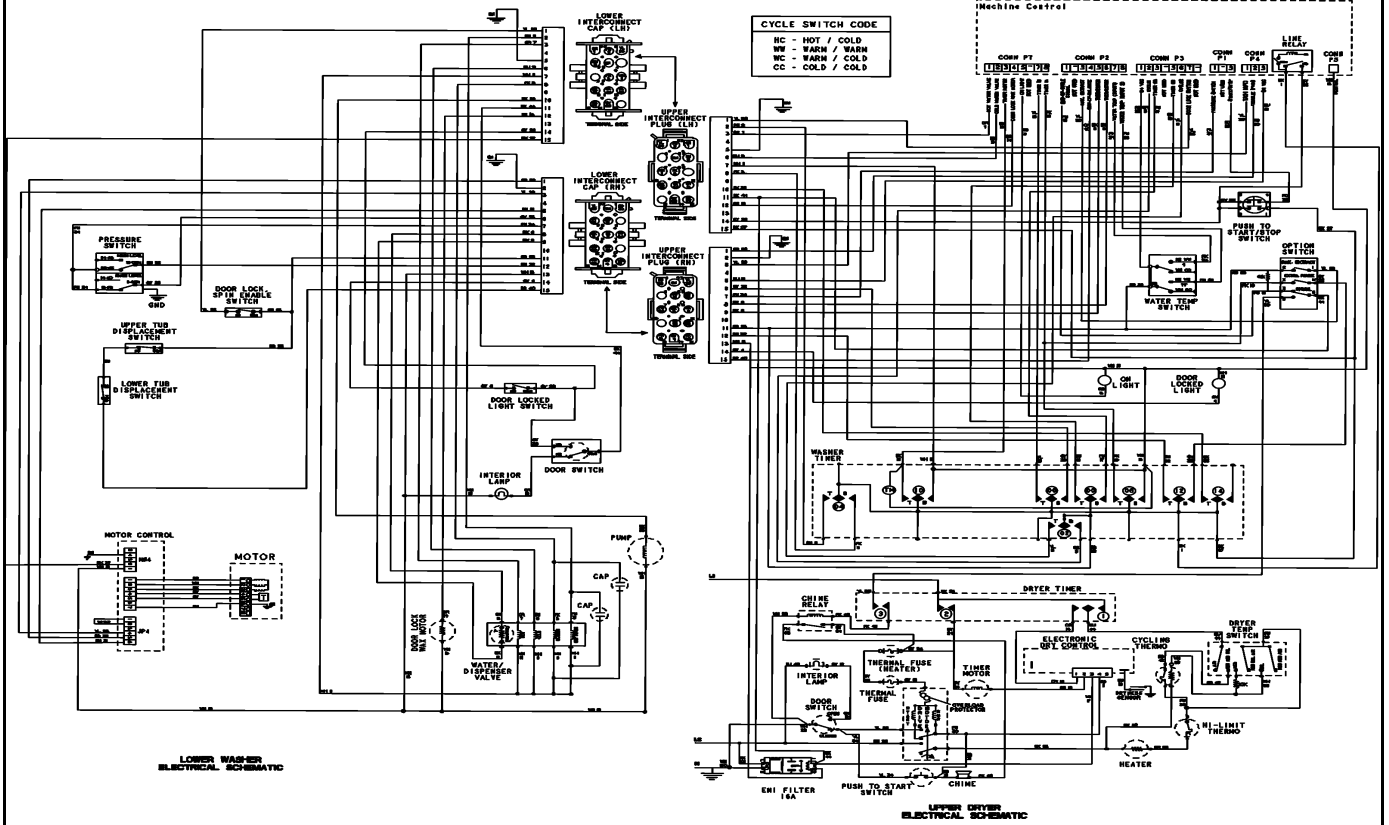
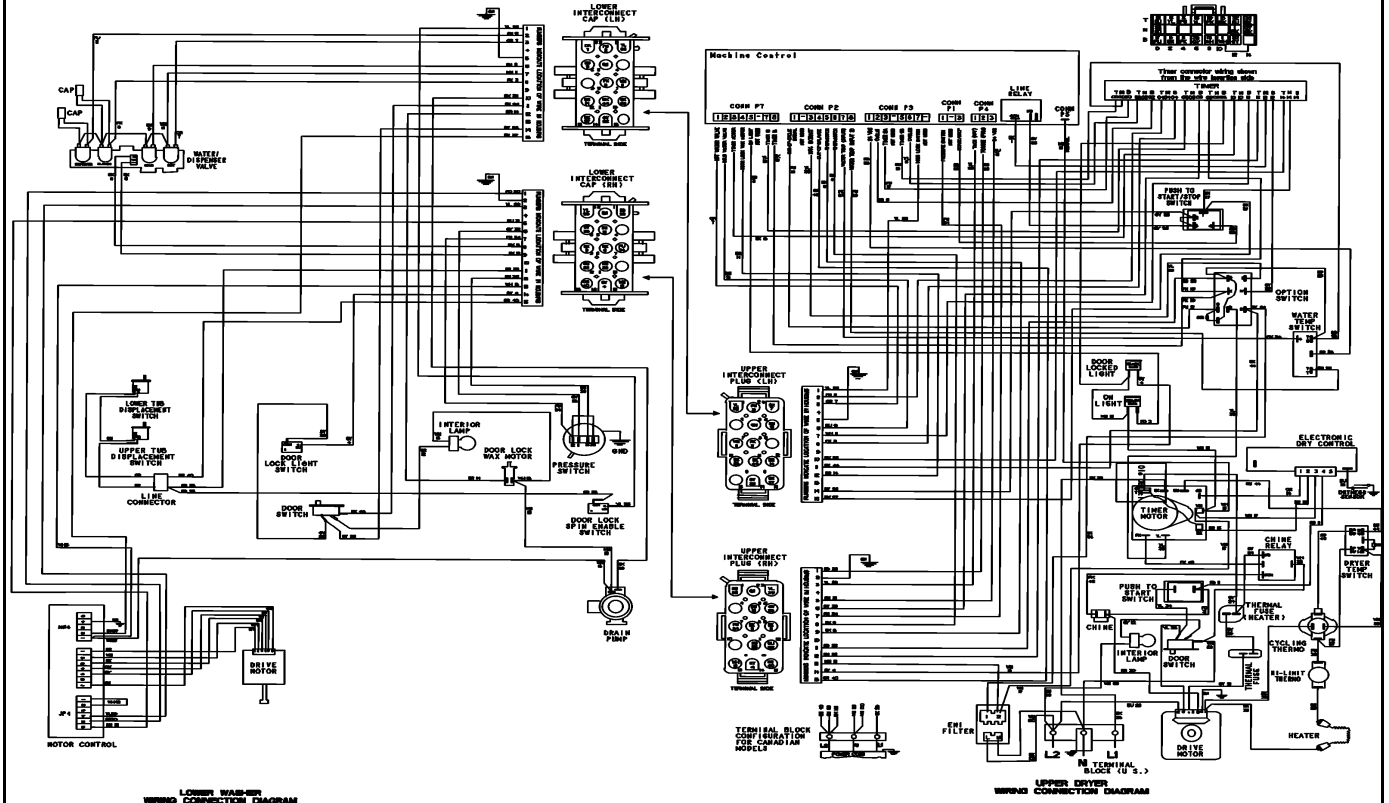
Model: MLG2000AWW



15003547

Section: WIRING INFORMATION

Model: MLG2000AWW



15003678

