

PARTS LIST

for

MAYTAG[®]

COMMERCIAL STACKED

MODELS

ELECTRIC DRYER/WASHER

MLE20PNAGWO (WHITE)

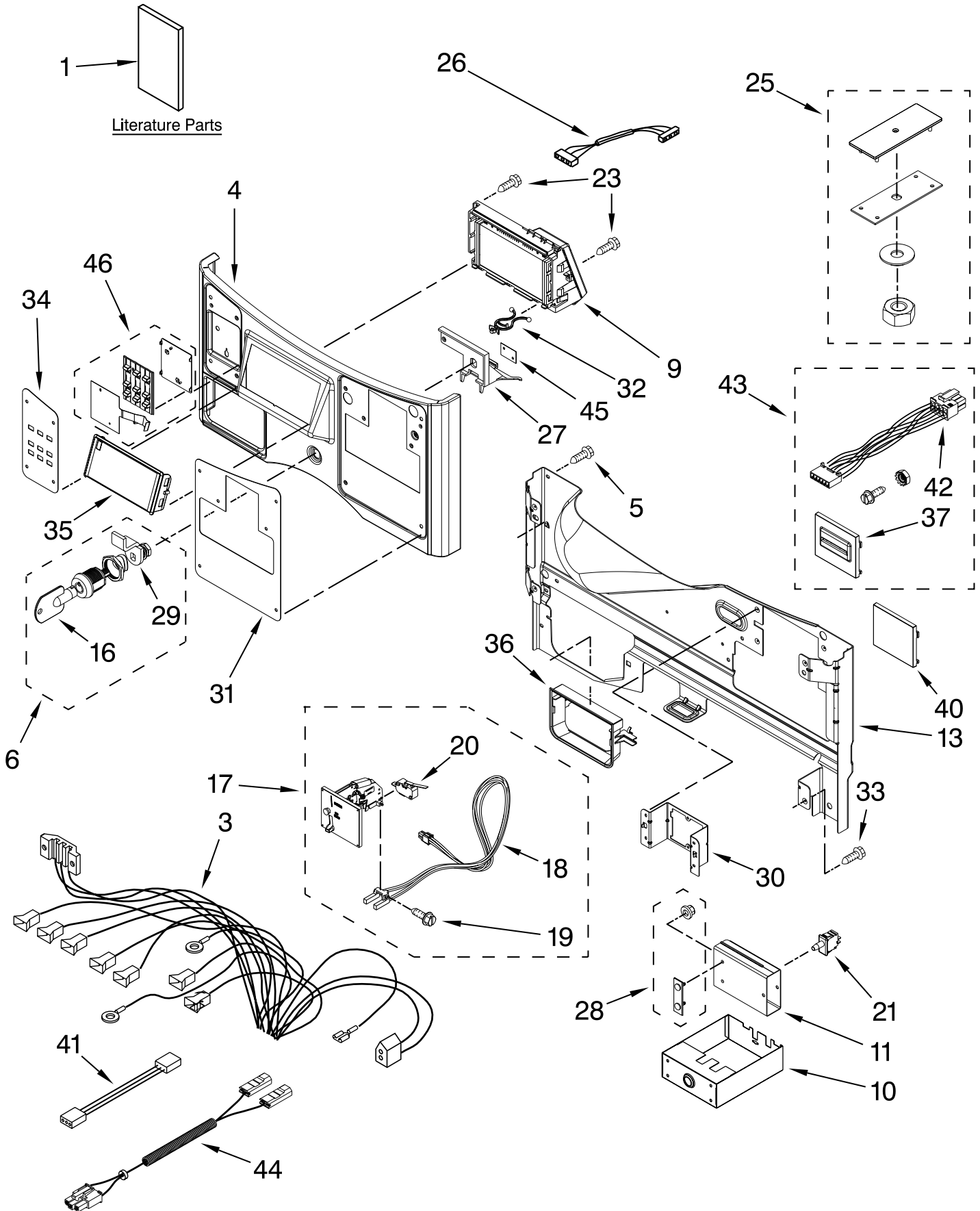
MLE20PDAGW0 (WHITE)

GAS DRYER/WASHER

MLG20PDAGW0 (WHITE)

CONTROL PANEL PARTS

For Models: MLE20PNAGW0, MLE20PDAGW0, MLG20PDAGW0
(White) (White) (White)



FOR ORDERING INFORMATION REFER TO PARTS PRICE LIST

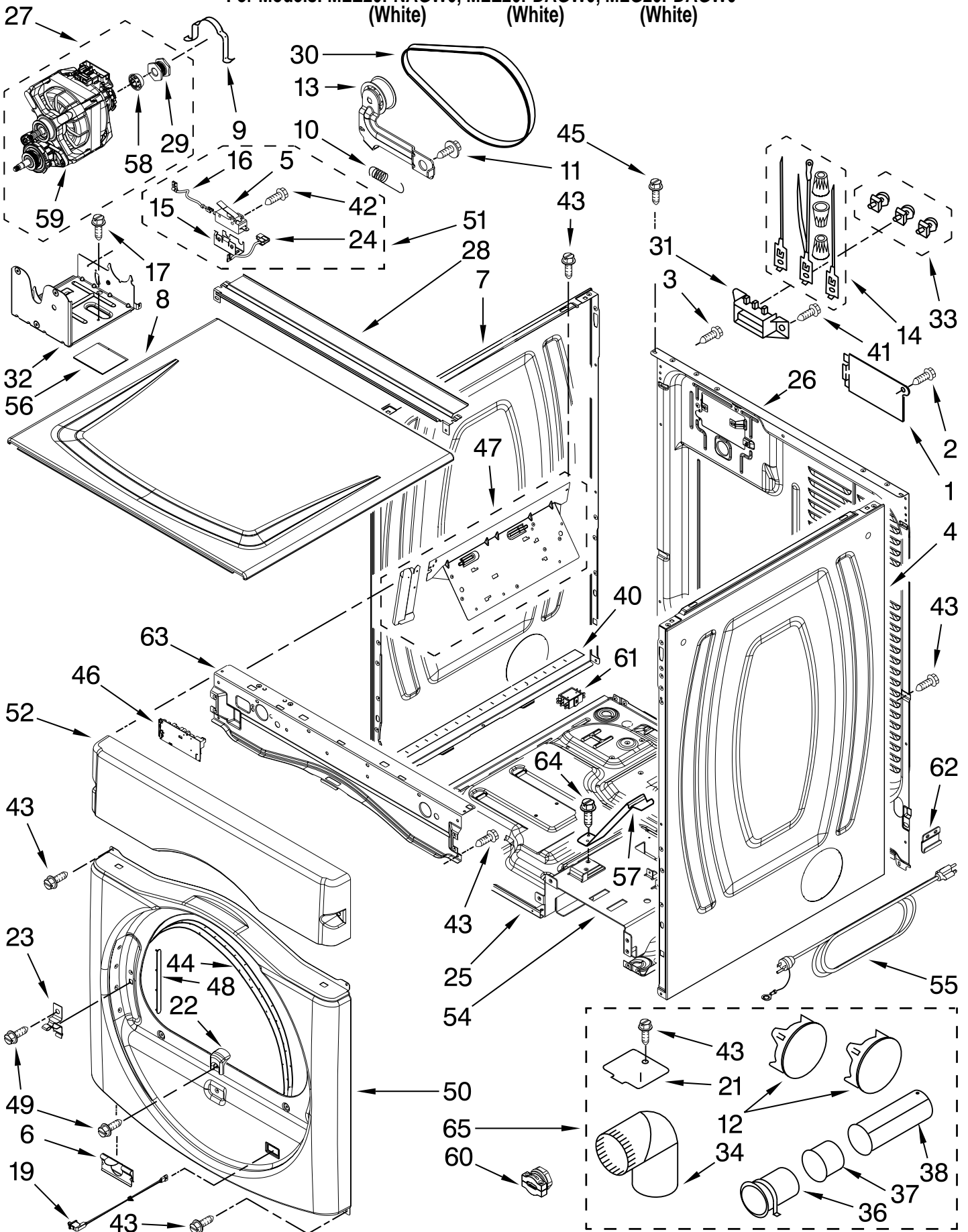
CONTROL PANEL PARTS

For Models: MLE20PNAGW0, MLE20PDAGW0, MLG20PDAGW0
(White) (White) (White)

Illus. No.	Part No.	DESCRIPTION	Illus. No.	Part No.	DESCRIPTION	Illus. No.	Part No.	DESCRIPTION
1		Literature Parts Installation Instruction	16	W10114740	Key, Access Door	31		Fascia
	W10335466	MLE20PDAGW0 & MLE20PNAGW0	17		Coin Drop Assy.		W10198334	MLE20PDAGW0 & MLG20PDAGW0
	W10335469	MLG20PDAGW0		W10133245			W10198336	MLE20PNAGW0
	W10404629	Tech Sheet	18	W10247389	Coin Sensor Assy, Coin 1 (White)	32	8019P013-60	Clip, Nylon
	W10372248	Parts List		W10247388	Coin Sensor Assy, Coin 2 (Black)	33	W10386302	Screw, 8-18 x 1/2
3		Harness, Main	19	W10142655	Screw, 6-20 x 1.00	34	W10198330	Fascia-Buttons
	W10423412	MLG20PDAGW0	20	W10133281	Service Access, Switch	35	W10198390	Window-Display
	W10423411	MLE20PNAGW0 & MLE20PDAGW0	21	W10131838	Switch-Vault Service Door	36	W10198345	Collar, Dispenser
4		Panel Assembly	23	W10192860	Screw, 6-19 x 1/2	37	W10198367	Bezel-PR
	W10198203	PD	25	W10169579	Kit-Coin Box, Security (To be serviced as a kit)	40	W10198366	Cover PD/PN
	W10198204	PR	26	W10242897	Harness, Wire Dryer CCU to UIC	41	W10342230	Cable Set, UI To CCU Communication
5	3390647	Screw, 8-18 x 1/2	27	W10198375	Support-Console	42	W10239515	Card Reader, Harness
6	W10198223	Service, & Programming Lock	28	W10159907	Mounting Strap, Weld Assembly	43	W10198451	Card Reader, Conversion Kit
9		Techbox Assembly	29	W10233256	Cam-Lock	44	W10300896	Wire Harness, Vault Switch
	W10198219	PD	30		Bracket	45	W10151156	Shield, Sensor Switch
	W10198220	PR		W10198322	PD	46	W10198198	Button Set, Assembly
10	W10133248	Coin Box		W10198323	PN			
11	W10133258	Vault Body, Assembly						
13	W10198321	Console Bracket						

DRYER CABINET PARTS

For Models: MLE20PNAGW0, MLE20PDAGW0, MLG20PDAGW0
(White) (White) (White)



FOR ORDERING INFORMATION REFER TO PARTS PRICE LIST

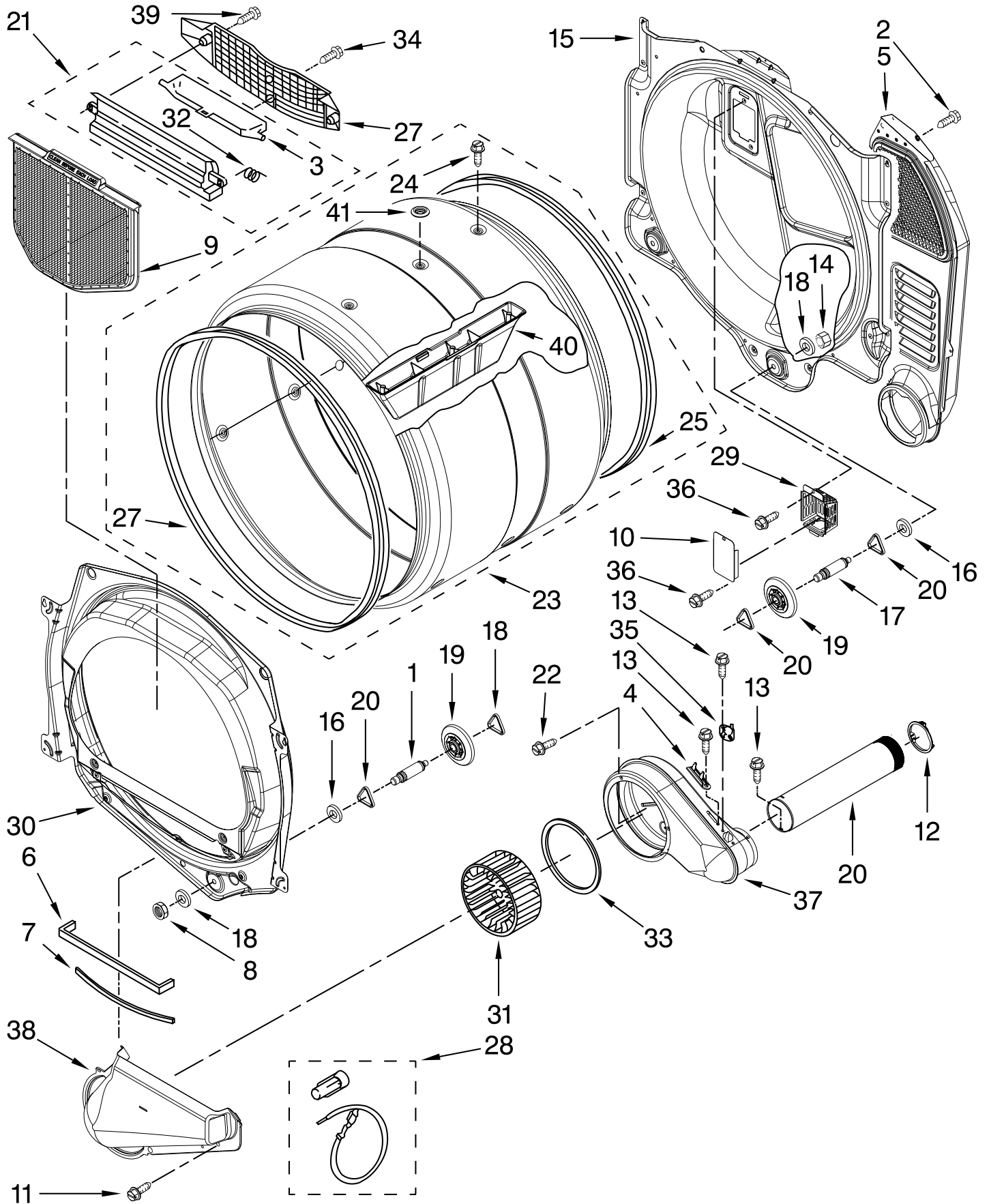
DRYER CABINET PARTS

For Models: MLE20PNAGW0, MLE20PDAGW0, MLG20PDAGW0
(White) (White) (White)

Illus. No.	Part No.	DESCRIPTION	Illus. No.	Part No.	DESCRIPTION	Illus. No.	Part No.	DESCRIPTION
1	W10096918	Cover, Terminal Block	26	W10225180	Panel, Rear	50	W10255282	Front Panel (Includes Illus. 44)
2	3390814	Screw, 8-18 x 3/8	27	W10289662	Motor Assembly 60 HZ.	51	W10259136	Switch, Assembly
3	8533974	Screw Ground	28	W10198224	Bracket, Water Channel	52	W10198379	Enclosure, CCU Assembly
4	8565048	Panel, Side (R.H.)	29	W10167237	Pulley	54	W10133261	Vault Switch, Bracket
5	8564010	Switch, Broken Belt	30	W10131172	Belt, Drive			
6	8519459	Clip, Toe Panel	31	3397659	Block, Terminal	55	W10167642	Power Cord
7	8565054	Panel, Side (L.H.)	32	W10135695	Bracket, Motor	56	W10212660	Sound Pad, Motor
8	8563730	Top	33	279393	Terminal Block Screw Kit (For Terminal Block	57	W10198376	Bracket, Burner
9	660658	Clamp, Motor (2)				58	3393657	Belt Restrainer
10	3387374	Spring, Idler	34	49026	4" - 90° Elbow	59	3405160	Belt, Poly V
11	3389420	Retainer, Idler	36	8563747	Exhaust Pipe & Bracket	60	8316644	Strain Relief, Power Cord
12	697750	Plug, Multivent	37	8563750	Exhaust Pipe (Short)	61	3388235	Switch, Centrifugal
13	W10344192	Idler Assembly	38	8563749	Exhaust Pipe (Long)	62	W10198377	Bracket, Stack
14	279318	Terminal, Brass & Tinned (3) (Includes Item. 33)	40	8318396	Seal-Foam (IEC)	63	8565237	Bracket, Console
15	8564011	Bracket, Switch	41	8533971	Screw, 8-18 x 5/16	64	693995	Screw, 8-18 x 3/8
16	W10167613	Wire, Belt Switch	42	3400934	Assembly, Screw & Insulator			
17	343641	Screw, 8-18 x 1/2	43	3390647	Screw, 8-18 x 1/2	Optional Parts Not Included		
19	W10251066	Assembly, Door Switch	44	3387242	Seal, Front Panel	Dryer Exhaust Kit (For Side & Bottom Venting)		
21	8066115	Cover-Plate	45	3393008	Screw, 10-16 x 1/2			
22	8565083	Ramp, Door	46	W10166380	Control Board			
23	8565122	Strike, Door (1)	47	8563727	Control Bracket			
24	8539892	Wire-Motor To-Belt-Switch	48	8565043	Plug, Strip			
25		Base, Cabinet	49	3357011	Screw, 10-16 x 1/2			
	W10225178	PR (Card Reader)				65	279818	White
	W10198309	PD (Coin Drop)						

BULKHEAD AND BLOWER PARTS

For Models: MLE20PNAGW0, MLE20PDAGW0, MLG20PDAGW0
(White) (White) (White)



FOR ORDERING INFORMATION REFER TO PARTS PRICE LIST

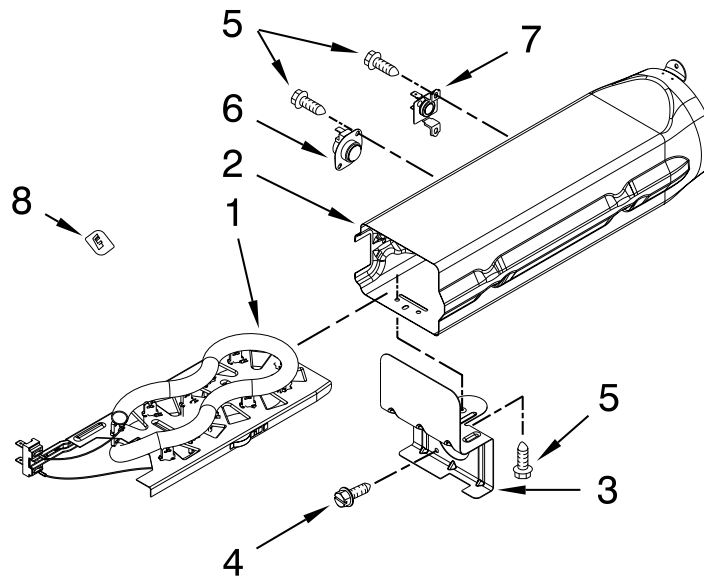
BULKHEAD AND BLOWER PARTS

For Models: MLE20PNAGW0, MLE20PDAGW0, MLG20PDAGW0
(White) (White) (White)

Illus. No.	Part No.	DESCRIPTION	Illus. No.	Part No.	DESCRIPTION	Illus. No.	Part No.	DESCRIPTION
1	W10359271	Shaft, R.H. Thread	14	W10001120	Nut, 3/8-16 (L.H.)	29	W10410531	Bracket, Drum Light
2	3390647	Screw, 8-18 x 1/2	15	W10080170	Bulkhead, Rear	30	8565061	Bulkhead, Front
3	W10181925	Door, Lint Screen	16	3387459	Washer, Support	31	W10349492	Wheel, Blower
4	3392519	Thermal Fuse (91°C)	17	W10359272	Shaft, L.H. Thread	32	3394986	Spring, Lint Screen Door
5		Air Duct Assembly	18	690997	Ring, Tri	33		Foam-Seal
	697354	PD	19	W10314171	Roller, Support		697770	MLE20PNAGW0 & MLE20PDAGW0
	3394346	PR	20	W10225179	Exhaust Pipe		W10181918	MLG20PDAGW0
6	697813	Foam-Seal	21	W10181928	Housing, Outlet Assembly	34	695240	Screw, 8-18 x 1/2
7	697814	Seal, Drum Front	22	489463	Screw, 8-18 x 5/8	35	8577274	Thermistor
8	3934666	Nut, 3/8 x 16(R.H.)	23	W10233255	Complete Drum Assembly	36	487909	Screw, 8-15 x 1/2
9	W10049370	Lint Screen	24	W10219342	Screw, 8-16 x 3/4	37		Housing, Blower
10	3402841	Lens, Drum Light	25	W10166807	Seal, Drum		W10151271	MLE20PDAGW0 & MLE20PNAGW0
11	359625	Screw, 8-18 x 1/2	27	W10181926	Grille, Outlet		W10119255	MLG20PDAGW0
12	W10344699	Collar-Duct	28	279457	Terminal Wire Kit (For Heater Element Wiring Harness Repair)	38	W10286419	Lint Duct Assembly
13	8533971	Screw, 8-18 x 5/16				39	3387230	Screw, 10-16 x 1
						40	W10153409	Baffle, Drum
						41	W10128544	Caplug

DRYER HEATING PARTS – ELECTRIC

For Models: MLE20PNAGW0, MLE20PDAGW0, MLG20PDAGW0
(White) (White) (White)

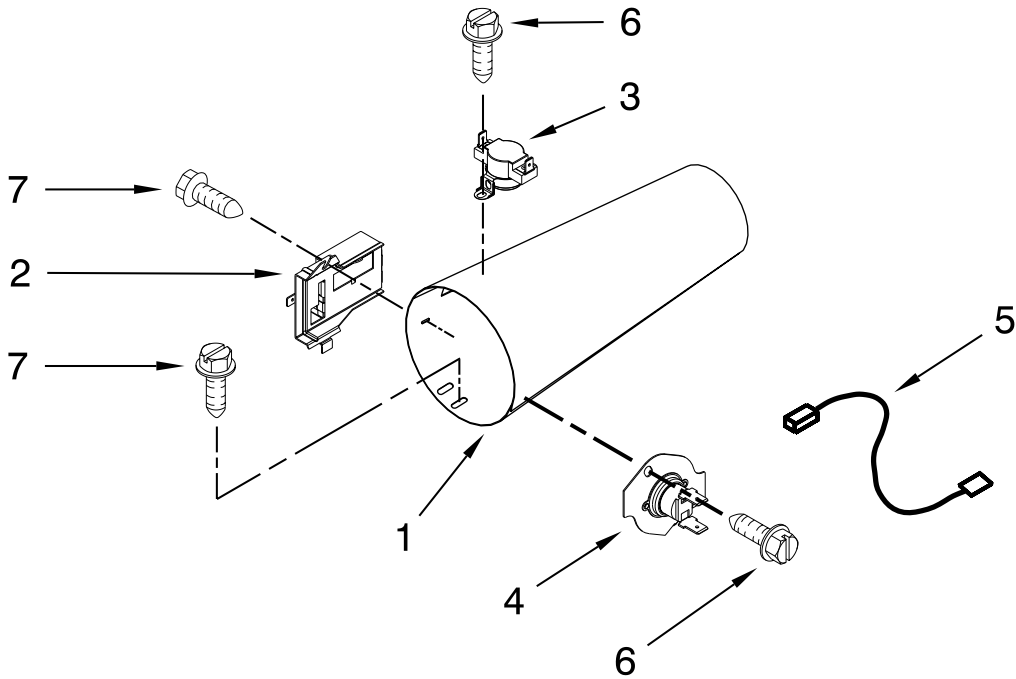


Illus. No.	Part No.	DESCRIPTION
1	3387749	Heater Element
2	3392537	Heater Box,
3		Bracket,
		Heater Box
	W10119253	MLE20PNAGW0
	W10198340	MLE20PDAGWO
4	693995	Screw, 8-18 x 3/8
5	90767	Screw, 8-18 x 3/8
6	W10168175	Thermostat,
		High-Limit
		250/170-NC
7	W10141623	Thermal Cut-Off
		(Includes Item 6)
8	W10167627	Thermal Limiter

FOR ORDERING INFORMATION REFER TO PARTS PRICE LIST

DRYER HEATING PARTS – GAS

For Models: MLE20PNAGW0, MLE20PDAGW0, MLG20PDAGW0
(White) (White) (White)



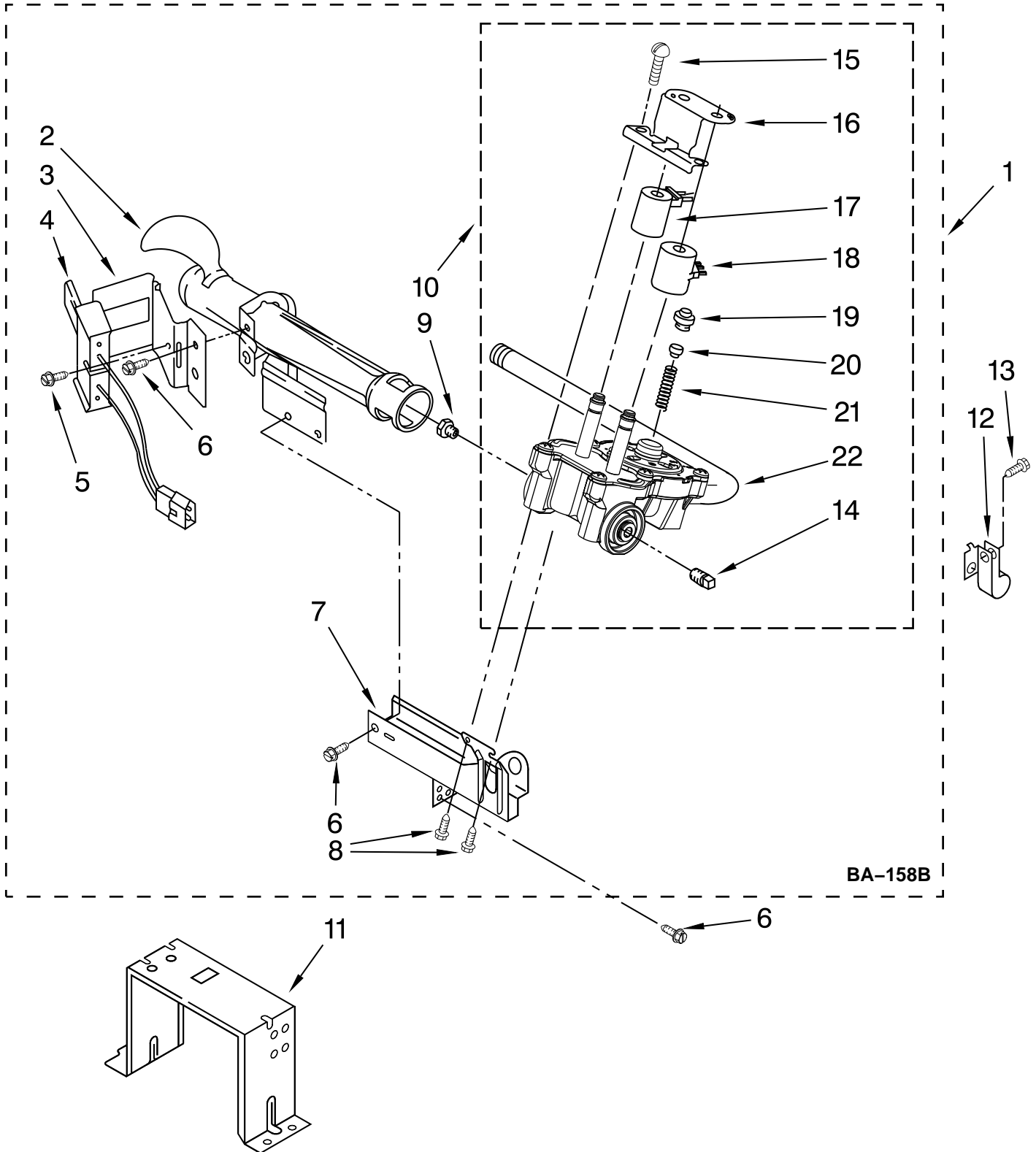
Illus. No.	Part No.	DESCRIPTION
1	8573824	Funnel-Burner
2	338906	Radiant Sensor
3		Thermostat, High Limit
4	W10206703	Thermal Cut-Off (Includes Item #3)
	8573713	
	W10181549	
5	3401707	Jumper TCO, High Limit
6	90767	Screw, 8-18 x 3/8
7	3390647	Screw, 8-18 x 1/2

FOR ORDERING INFORMATION REFER TO PARTS PRICE LIST

W10096909 BURNER ASSEMBLY

For Models: MLE20PNAGW0, MLE20PDAGW0, MLG20PDAGW0
(White) (White) (White)

USE WITH TYPE 1 – NATURAL, TYPE 2 – MIXED,
AND TYPE 4 – LIQUEFIED PROPANE AND BUTANE GASES



FOR ORDERING INFORMATION REFER TO PARTS PRICE LIST

W10096909 BURNER ASSEMBLY

For Models: MLE20PNAGW0, MLE20PDAGW0, MLG20PDAGW0
(White) (White) (White)

USE WITH TYPE 1 – NATURAL, TYPE 2 – MIXED,
AND TYPE 4 – LIQUEFIED PROPANE AND BUTANE GASES

Illus. No.	Part No.	DESCRIPTION
1	W10096909	Burner Assembly 60 Hz. (Type 1 & 2)
2	688617	Tube, Burner
3	694298	Bracket, Ignitor
4	686590	Ignitor
5	W10080730	Screw & Washer (8–32 x 5/8)
6	W10080320	Screw, 10–16 x 1/2
7	3389871	Base, Burner
8	W10080630	Screw, 8–18 x 3/8 (3)
9	234660	Orifice, Burner Type 1
10	8281918	Valve, Gas 60 Hz. (Complete) (Includes Pipe & Illus. No. 7)
11	3389889	Bracket, Support
12	3978776	Clamp, Pipe
13	3390647	Screw, 8–18 x 1/2
14	W10295523	Plug, Pipe
15	694421	Screw, 8–32 x 1/2
16	694538	Bracket, Coil
17	695297	Coil, 50 Hz. (2 Terminal)(Main)
18	695298	Coil, 50 Hz. (Split) (3 Terminal) (Pilot Position)
19	694424	Leak, Limiter
20	694423	Screw, Regulator Adjustment
21	694422	Spring, Regulator
22	W10097610	Pipe, Gas Supply

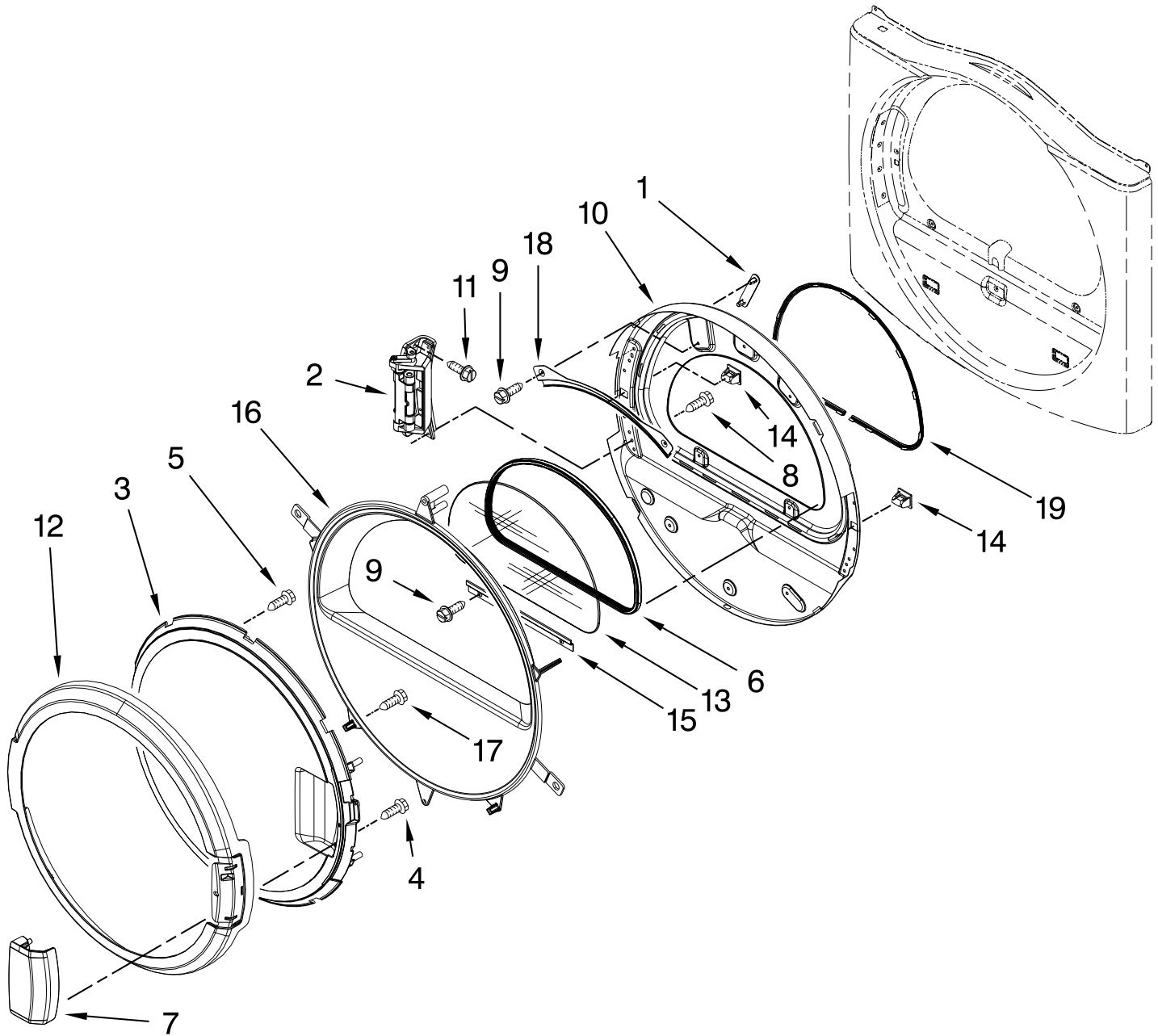
Following Parts Not Illustrated

W10233219 Conversion Kit
(Type 1 and 2)
to Type (4) L.P.G.

BA-158B

DRYER DOOR PARTS

For Models: MLE20PNAGW0, MLE20PDAGW0, MLG20PDAGW0
(White) (White) (White)



Illus. No.	Part No.	DESCRIPTION
1	8565119	Hinge Hole Cover (Inner Door)
2		Door Hinge Assembly
	W10198424	PN
	W10304672	PD
3	W10137467	Assembly, Door Intermediate
4	9742177	Screw, 8-18 x 5/8
5	3400618	Screw, 6-32 x 3/8
6	8579663	Seal, Window
7	W10112976	Handle, Door

Illus. No.	Part No.	DESCRIPTION
8	W10159996	Screw, 10-24 x 3/64
9	3393258	Screw
10	W10164062	Door Assembly (Inner) (Includes Illus. 1, 14 & 19)
11	355515	Screw, 8-18 x 11/16
12		Door, Outer Ring
	W10198431	PN
	W10112916	PD

Illus. No.	Part No.	DESCRIPTION
13	W10286878	Window
14	690081	Door Catch Assembly
15	8519354	Retainer-Lower
16	8580059	Door, Intermediate
17	8534022	Screw
18	8519356	Retainer, Upper
19	W10407973	Door Seal

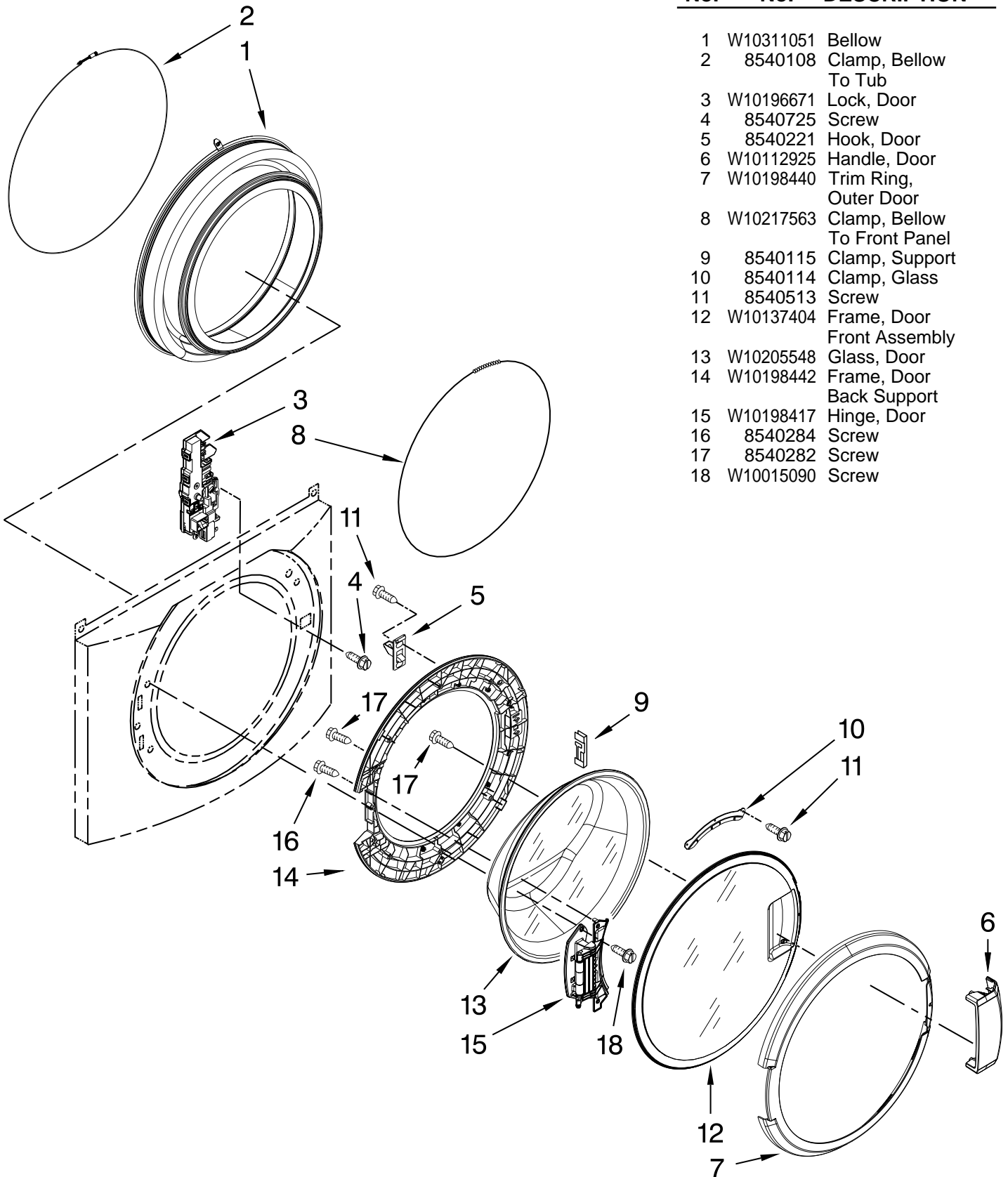
FOR ORDERING INFORMATION REFER TO PARTS PRICE LIST

WASHER DOOR PARTS

For Models: MLE20PNAGW0, MLE20PDAGW0, MLG20PDAGW0
(White) (White) (White)

Illus. No.	Part No.	DESCRIPTION
------------	----------	-------------

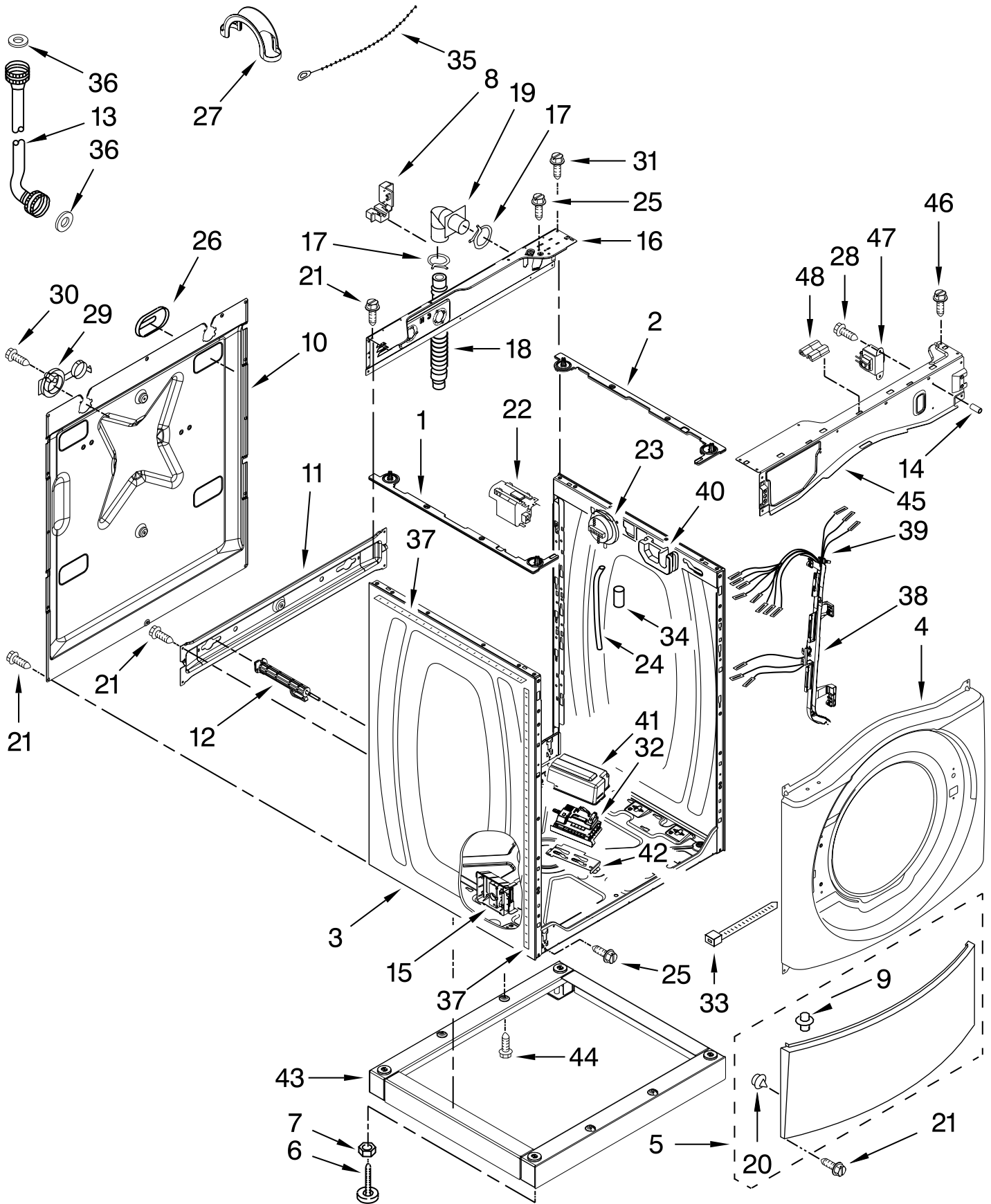
- | | | |
|----|----------------------------|------------------------------|
| 1 | W10311051 | Bellow |
| 2 | 8540108 | Clamp, Bellow To Tub |
| 3 | W10196671 | Lock, Door |
| 4 | 8540725 | Screw |
| 5 | 8540221 | Hook, Door |
| 6 | W10112925 | Handle, Door |
| 7 | W10198440 | Trim Ring, Outer Door |
| 8 | W10217563 | Clamp, Bellow To Front Panel |
| 9 | 8540115 | Clamp, Support |
| 10 | 8540114 | Clamp, Glass |
| 11 | 8540513 | Screw |
| 12 | Frame, Door Front Assembly | |
| 13 | W10205548 | Glass, Door |
| 14 | W10198442 | Frame, Door Back Support |
| 15 | W10198417 | Hinge, Door |
| 16 | 8540284 | Screw |
| 17 | 8540282 | Screw |
| 18 | W10015090 | Screw |



FOR ORDERING INFORMATION REFER TO PARTS PRICE LIST

WASHER CABINET PARTS

For Models: MLE20PNAGW0, MLE20PDAGW0, MLG20PDAGW0
(White) (White) (White)



FOR ORDERING INFORMATION REFER TO PARTS PRICE LIST

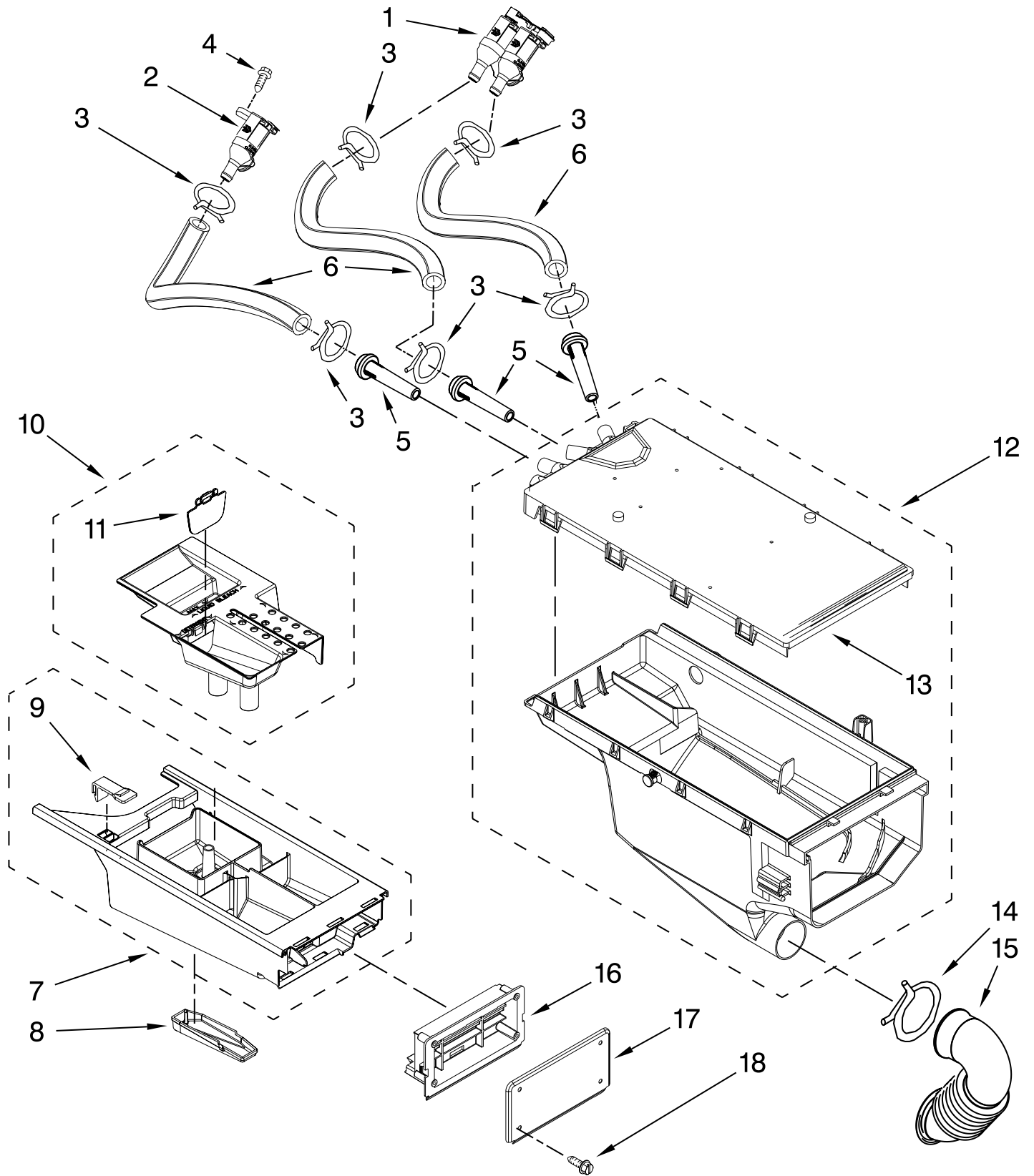
WASHER CABINET PARTS

For Models: MLE20PNAGW0, MLE20PDAGW0, MLG20PDAGW0
(White) (White) (White)

Illus. No.	Part No.	DESCRIPTION	Illus. No.	Part No.	DESCRIPTION	Illus. No.	Part No.	DESCRIPTION
1	W10405229	Rail-Spacer, Left	21	W10015090	Screw, 8-18 x 5/8	39	W10330828	Harness, Main Wiring
2	W10405223	Rail-Spacer, Right	22	W10398805	Filter, Interference			Includes Item 38
3	W10225458	Cabinet	23	W10292407	Switch, Pressure			And The Following
4	W10306505	Panel, Front	24	8540294	Hose, Pressure Switch			Cable Sets:
5	8540813	Toe Panel	25	8540479	Screw, Grounding			(Not Illustrated)
6	W10245373	Foot, Leveling	26	8540268	Cover, Transport	W10342219		CCU To Cold Fill Valve (4 Pole)
7	3359452	Nut, Lock	27	8577378	U-Bend, Drain Hose	W10342220		CCU To Hot Fill Valve (2 Pole)
8	W10110676	Strain Relief, Power Cord	28	8540329	Screw, 8-18 x 7/16	W10342225		CCU To MCU - Power (2 Pole)
9	8518891	Rivet	29	8540728	Sleeve, Cord Support	W10342229		CCU TO MCU-Serial Communication (3 Pole)
10	W10258342	Panel, Rear	30	8540727	Screw, 3 x 8 mm			W10342223 Door Lock - Power
11	W10189659	Brace, Transport	31	8540329	Screw	40	8540643	Bracket, Spring
12	W10251449	Bolt, Shipping	32	W10340570	Microcomputer, Machine Control	41	W10405233	Cover, CCU
13	W10276793	Hose, Water Inlet Cold Water	33	3429563	Cable Tie	42	W10198280	Bracket, CCU
	W10276795	Hot Water	34	2161302	Sleeve, Pressure Switch Hose	43	W10103350	Pedestal, Commercial
14	W10018050	CAPLUG	35	3347868	Cable Tie	44	3400111	Screw, 12-14 x 5/8
15	W10259012	Motor Control Unit	36	3976300	Washer, Water Inlet Hose 1-1/16 x 5/8	45	W10294428	Bracket, Console
16	W10244560	Brace, Rear	37	8318396	Seal, Foam-IEC	46	W10015090	Screw, 8-18 x 5/8
17	356138	Clamp, Hose	38	W10168546	Harness Channel, Side Front	47	W10198389	Transformer, 240 To 22.5 VAC
18	W10106460	Hose, Drain-Outer				48	W10198373	Retainer-Base
19	W10003260	Connector, Hose Outlet						
20	238614	Bumper						

DISPENSER PARTS

For Models: MLE20PNAGW0, MLE20PDAGW0, MLG20PDAGW0
(White) (White) (White)



FOR ORDERING INFORMATION REFER TO PARTS PRICE LIST

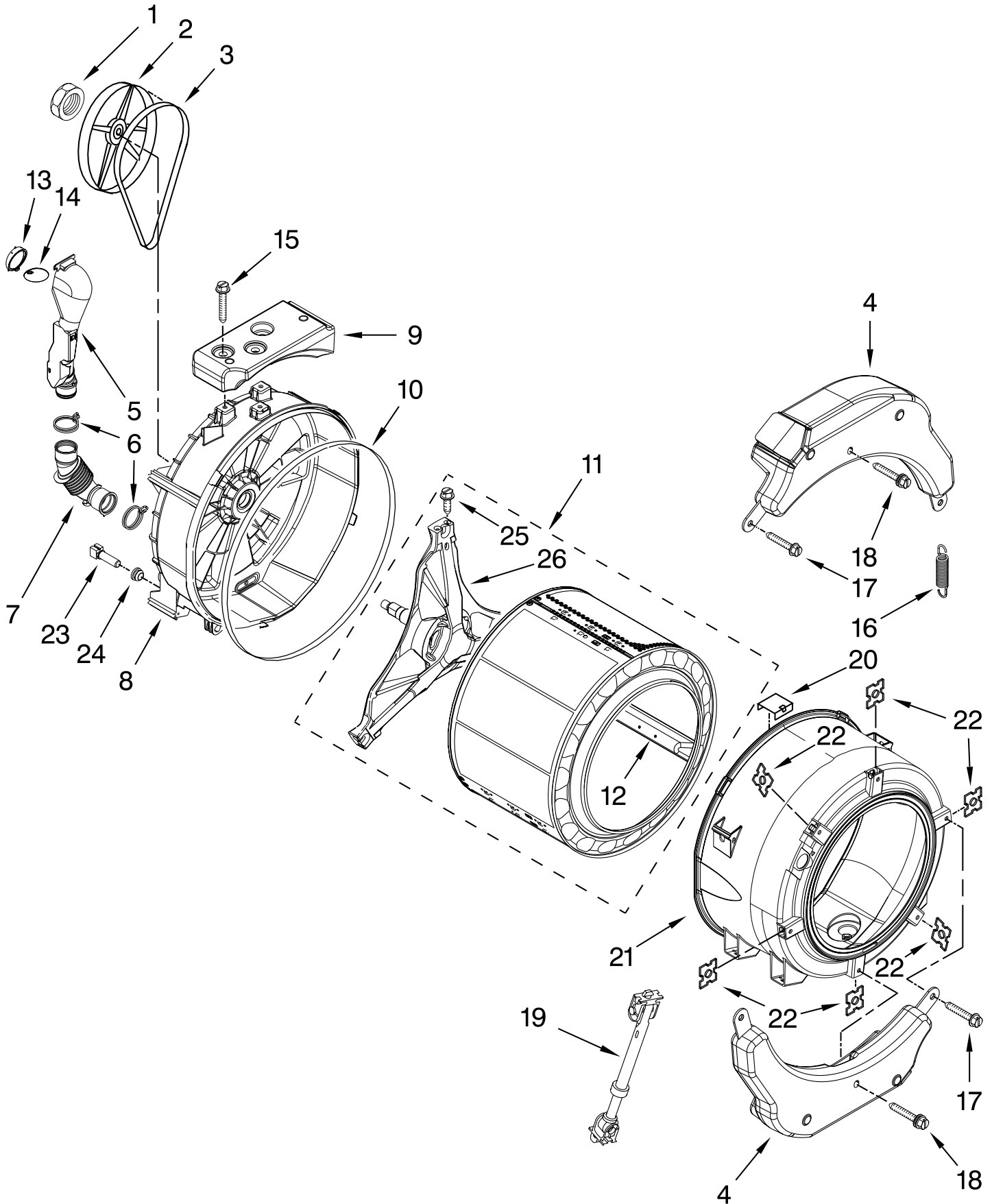
DISPENSER PARTS

For Models: MLE20PNAGW0, MLE20PDAGW0, MLG20PDAGW0
(White) (White) (White)

Illus.	Part	
No.	No.	DESCRIPTION
1	W10316929	Valve, Water Inlet (Double)
2	W10316932	Valve, Water Inlet (Single)
3	W10096852	Clamp, Hose
4	W10137456	Screw
5	8183181	Nozzle, Inlet
6	W10212611	Hose, Valve To Dispenser
7	W10376660	Drawer, Detergent
8	8540399	Cover, Detergent Drawer
9	W10198458	Tab, Drawer Release
10	W10407371	Siphon, Bleach/Softener
11	W10298953	Door, Living Hinge
12	W10212603	Dispenser, Outer Housing
13	W10212604	Plate, Distribution
14	W10273032	Clamp, Hose
15	8540063	Hose, Dispenser To Tub
16	W10405607	Handle, Drawer
17	W10198450	Cover, Handle
18	W10137456	Screw, 8-18 x 1/2

TUB AND BASKET PARTS

For Models: MLE20PNAGW0, MLE20PDAGW0, MLG20PDAGW0
(White) (White) (White)



FOR ORDERING INFORMATION REFER TO PARTS PRICE LIST

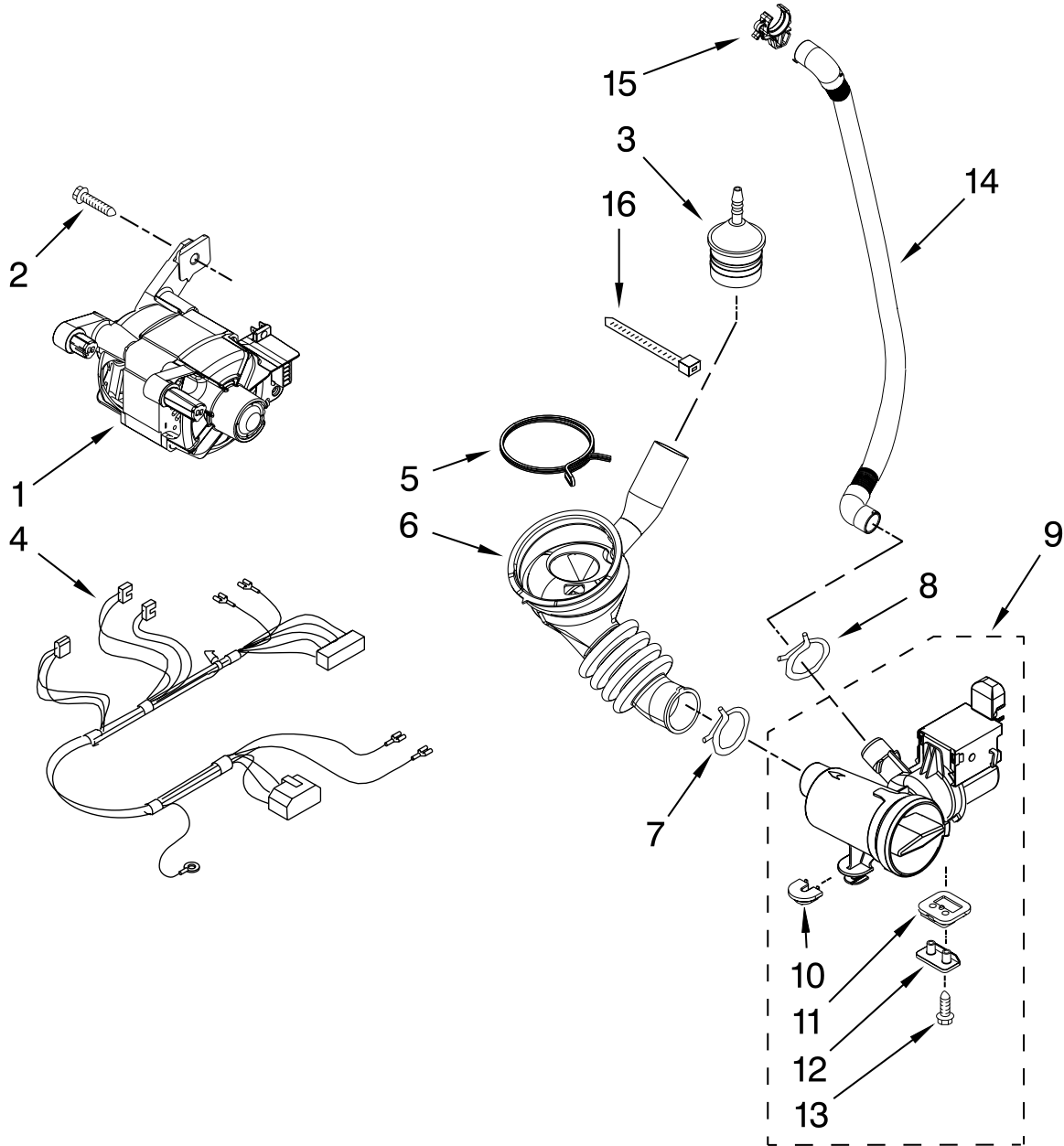
TUB AND BASKET PARTS

For Models: MLE20PNAGW0, MLE20PDAGW0, MLG20PDAGW0
(White) (White) (White)

Illus. No.	Part No.	DESCRIPTION
1	8533999	Nut, Pulley
2	8540088C	Pulley
3	W10260319	Belt, Drive
4	W10223198	Counterweight, Front
5	W10142720	Pipe, Ventilation
6	W10273034	Clamp, Vent Hose
7	8540019	Hose, Exhaust
8	W10303574	Tub, Rear (Includes Items 10 & 22)
9	W10200747	Counterweight, Rear
10	8540090	Gasket, Tub
11	W10303571	Basket, Complete
12	W10118982	Baffle, Tub
13	W10142721	Connector – Ventilation
14	W10142722	Flap – Ventilation
15	W10246531	Screw, Rear Counterweight
16	W10010360	Spring, Suspension (Set Of 2)
17	W10094780	Bolt, Counterweight
18	W10259288	Bolt Assembly, Counterweight Center Hole
19	W10015830	Shock Absorber
20	8540092	Clamp, Tub
21	W10266965	Tub, Front (Includes Items 10 & 22)
22	8540072	Nut, Push-In
23	W10176659	Negative Thermistor Control
24	8540766	Seal, Rubber
25	8540382	Screw
26	8540342	Crosspiece Assembly

PUMP AND MOTOR PARTS

For Models: MLE20PNAGW0, MLE20PDAGW0, MLG20PDAGW0
(White) (White) (White)



Illus. No.	Part No.	DESCRIPTION
1	W10171927	Motor, Drive
2	8540134	Bolt, Motor
3	W10405608	Air Trap (Includes Item 16)
4	W10364668	Harness, Motor
5	W10273037	Clamp
6	8540012	Hose, Tub to Pump

Illus. No.	Part No.	DESCRIPTION
7	W10273036	Clamp, Hose
8	356138	Clamp, Drain Hose
9	W10183441	Pump (Complete)
10	W10191886	Foot, Rubber (Slider)
11	W10191880	Foot, Rubber (Lock)

Illus. No.	Part No.	DESCRIPTION
12	W10190649	Cap, Lock Foot
13	W10167905	Screw, 10-16 x 1.25
14	W10272563	Hose, Drain- Inner
15	W10003290	Retainer, Drain Hose
16	2262071	Cable Tie

FOR ORDERING INFORMATION REFER TO PARTS PRICE LIST

OPTIONAL PARTS (NOT INCLUDED)

For Models: MLE20PNAGW0, MLE20PDAGW0, MLG20PDAGW0
(White) (White) (White)

Illus.	Part	
No.	No.	DESCRIPTION

PAINT, TOUCH-UP (1/2oz.)

72017 White

PAINT, PRESSURIZED SPRAY (12 oz.)

350930 White
350938 Primer, Gray

PAINT, BULK (1 qt.)

799344 White (Uncut)

ACCESSORY PARTS

8529894 Hold Down Kit
80047 Kit,
Dryer Repair
W10103350 Pedestal,
Commercial