

STACKED DRYER

Repair Parts List

MODEL NUMBER
MLG23PDFGW

When requesting service or ordering parts, always provide the following information:

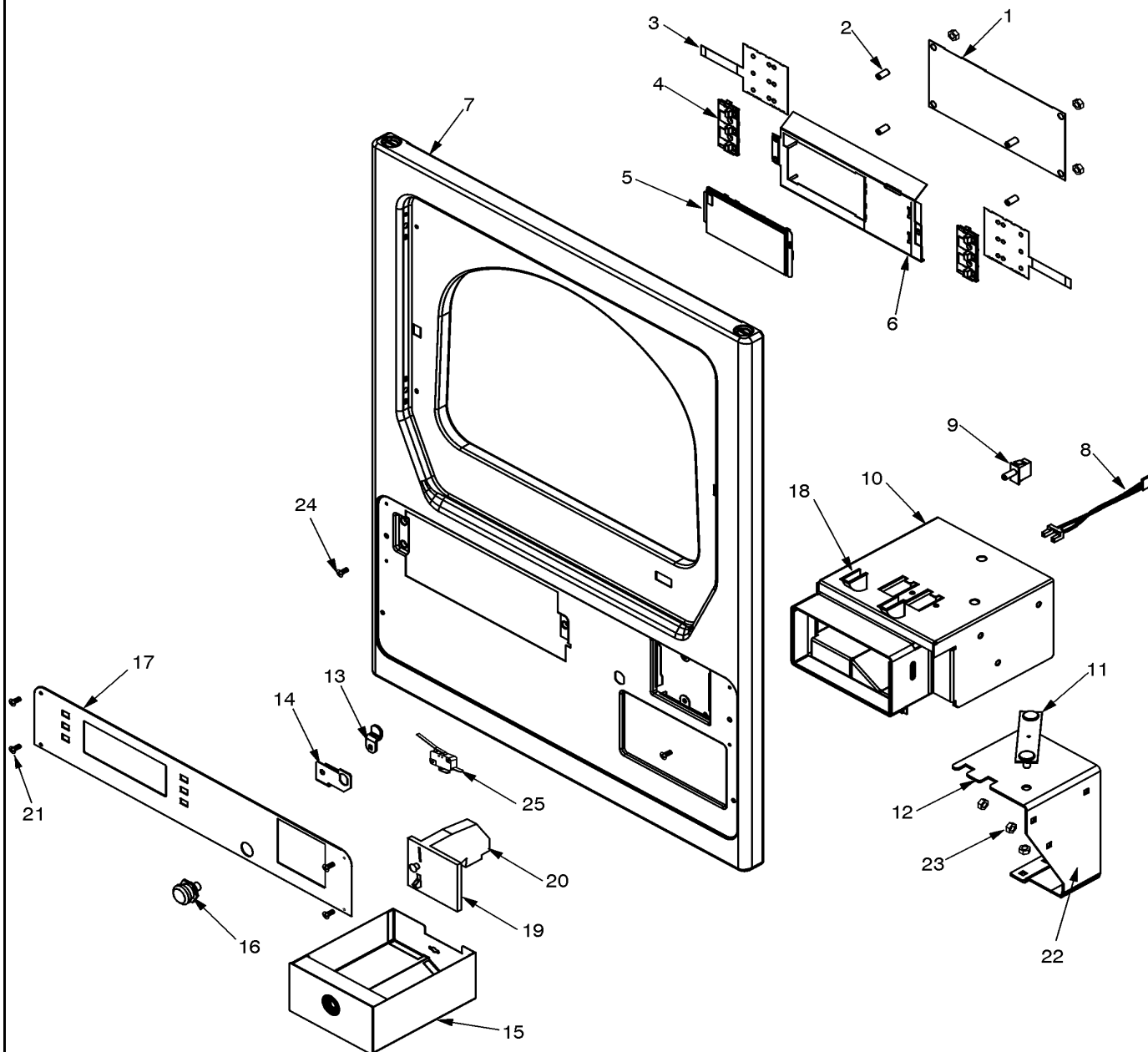
- Product Type
- Part Number
- Model Number
- Part Description

MAYTAG®

©2005 Maytag Services

Section: CONTROL PANEL

Model: MLG23PDFGW



CD11-90

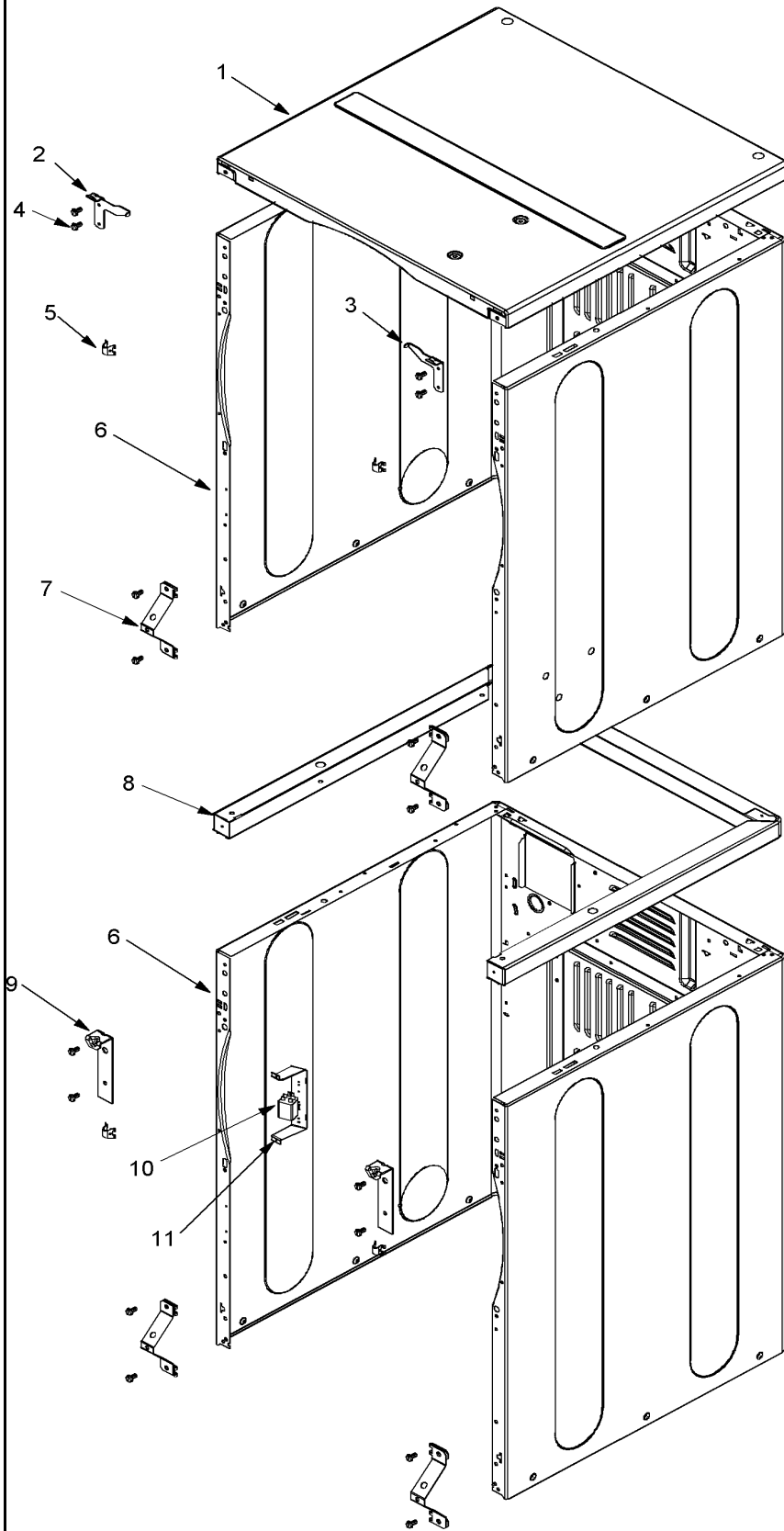
Section: CONTROL PANEL

No.	Part No.	Description	Series	Qty
-	912077	LOCKNUT	10	4
1	33002951	BOARD, CONTROL SUB	11	1
1	33002608	BOARD, CONTROL	10	1
2	33001204	STANDOFF, CIRCUIT BOARD	10	4
3	33002507	SWITCH, MEMBRANE	10	2
4	33002863	BUTTON, PUSH	10	2
5	33002150	COVER, DISPLAY	10	1
6	33002155	PLATE, CONTROL MOUNTING	10	1
7	33002909	PANEL, FRONT UPPER EXPORT PD	10	1
-	314665	SCREW	10	1
8	22001965	SWITCH ASSY., OPTIC	10	1
9	22003064	SWITCH, SENSOR - EXPORT	10	1
10	22004157	ASSY, COIN VAULT----NA	10	1
11	22001810	STRAP, MOUNTING	10	1
-	910181	LOCK WASHER	10	2
12	33002763	VAULT MOUNTING BRACKET	10	1
13	213750	LOCKING CAM	10	1
14	33001982	BRACKET, SWITCH MOUNTING	10	1
15	22004158	ASSY, COIN BOX	10	1
16	22002349	LOCK, ACCESS DOOR	10	1
17	33002828	FACIA, COMM. - PD D/D	10	1
18	314635	COIN CHUTE	10	2
19	33002644	DUAL FACEPLATE ASSEMBLY	10	1
19	33002647	SINGLE FACEPLATE ASSEMBLY	10	1
-	22004113	DUAL COIN DROP ASSY-CANADA	10	1
20	33002646	COIN DROP-CANADA (1.00)	10	1
20	22004114	COIN DROP GREENWALD (CAN).25	10	1
21	215506	SCREW, TORX	10	4
22	33001991	BOLT, CARRIAGE	10	3
23	Y052734	NUT	10	5
24	33002051	SCREW, TORX	10	2
25	22002536	SWITCH, SENSOR	10	1

*Color Code (-)=Not Shown #=Series, Serial Prefix or Run No., N=Not Available

Section: CABINET FRONT

Model: MLG23PDFGW



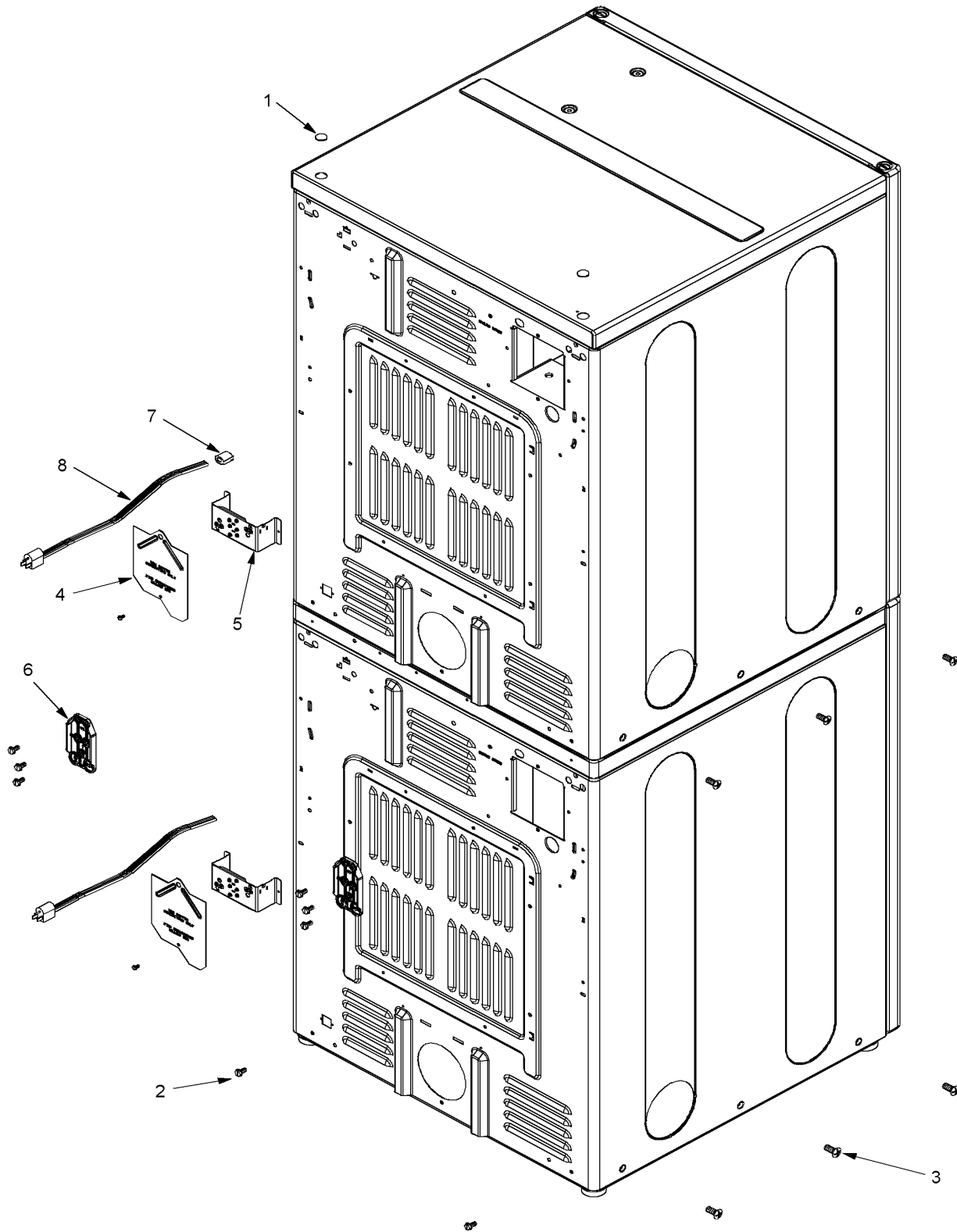
Section: CABINET FRONT

No.	Part No.	Description	Series	Qty
-	22001402	SCREW	10	2
1	33002124	COVER, TOP (WHT)	10	1
2	33002818	BRACKET, LH UPPER FRONT PANEL	10	2
3	33002819	BRACKET, RH UPPER FRONT PANEL	10	1
4	22001995	SCREW	10	4
5	33001980	CLIP, ACCESS PANEL	10	4
6 N	22003643	CABINET ASSY. (WHT AS PK)	10	1
6	33002839	CABINET, UPPER PD	10	1
7	22002425	BRACKET, "V"	10	4
-	22001995	SCREW	10	8
8	33002820	SUPPORT WELD ASS'Y	10	1
-	22001402	SCREW	10	4
-	22001995	SCREW	10	4
9	33002821	BRACKET, FRONT LOWER PANEL	10	2
-	22001078	SCREW	10	2
10	206824	RELAY, SPST 24VDC	10	2
11 N	33002705	BRACKET, RELAY	10	2
-	22001078	SCREW	10	2

*Color Code (-)=Not Shown #=Series, Serial Prefix or Run No., N=Not Available

Section: CABINET REAR

Model: MLG23PDFGW



CD18-29

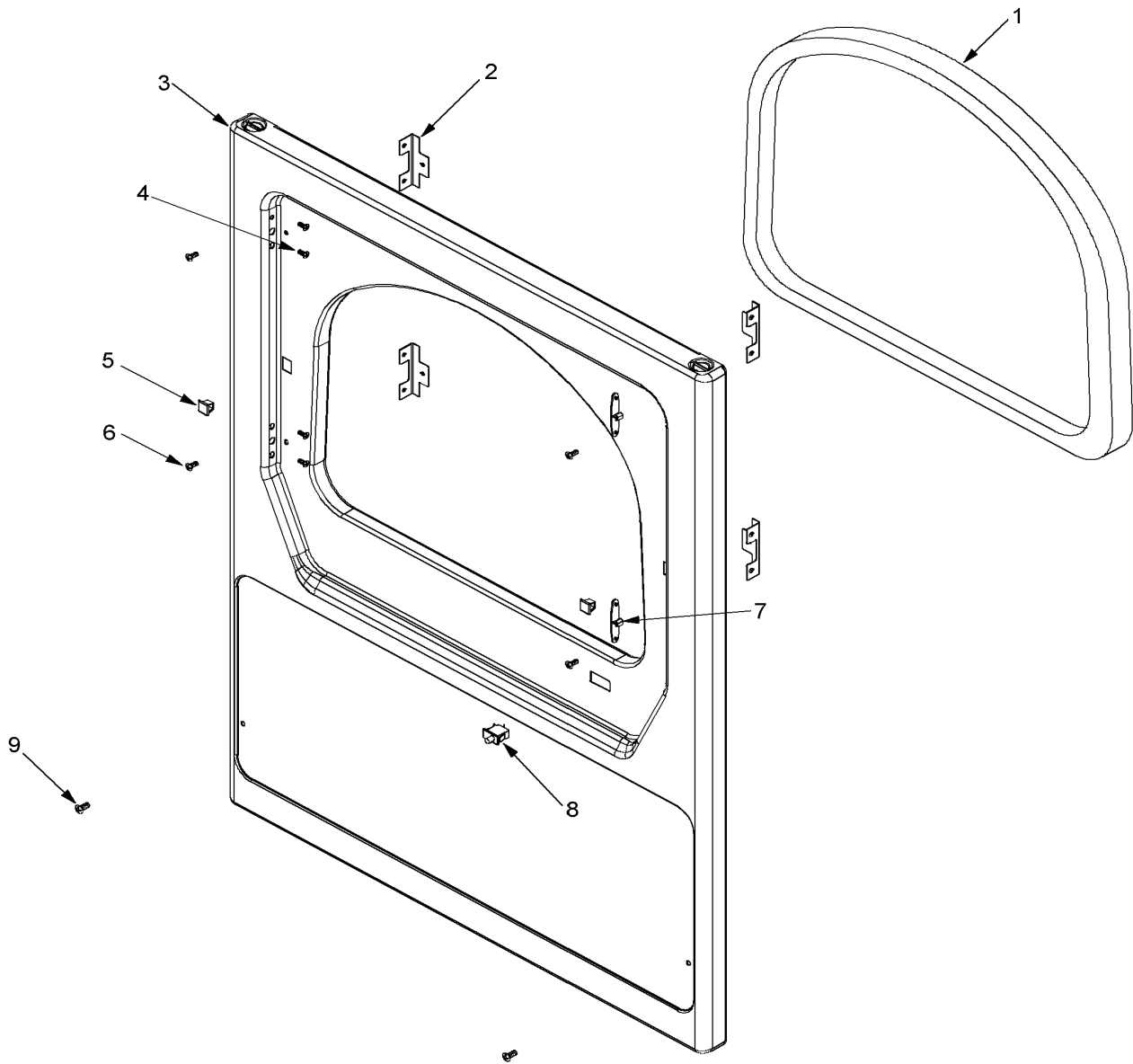
Section: CABINET REAR

No.	Part No.	Description	Series	Qty
1	33001997	PLUG, HOLE	10	2
2	22001995	SCREW	10	2
3	213007	SCREW, CABINET	10	12
4	33001795	COVER, TERMINAL BLOCK	10	1
-	22001995	SCREW	10	1
5	N 33001826	BRACKET, TERMINAL BLOCK----NA	10	1
-	22001995	SCREW	10	2
6	33002829	BRACKET, REAR SUPPORT	10	2
-	22001995	SCREW	10	6
7	216183	GROMMET, CORD EXPORT	10	1
-	22003705	ADAPTER, CORD EXPORT	10	1
8	22003540	CORD, POWER (EXPORT)	10	1

*Color Code (-)=Not Shown #=Series, Serial Prefix or Run No., N=Not Available

Section: FRONT PANEL

Model: MLG23PDFGW



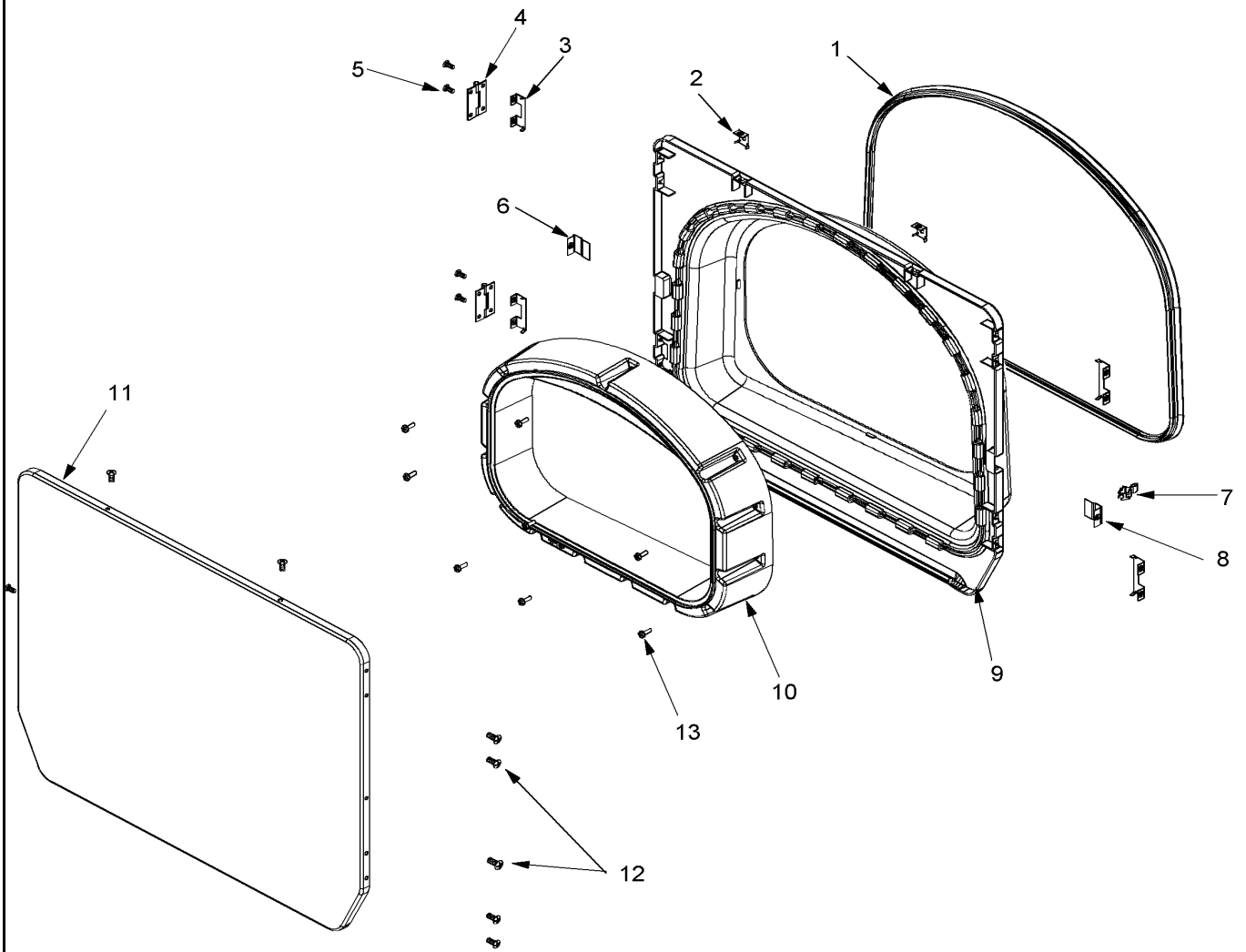
Section: FRONT PANEL

No.	Part No.	Description	Series	Qty
1	33001767	SEAL, SHROUD	10	1
2	33002025	TWIN SPEEDNUT	10	4
3	33002909	PANEL, FRONT UPPER EXPORT PD	10	1
3	33002910	PANEL, FRONT LOWER EXPORT	10	1
4	22002062	SCREW	10	4
5	Y304578	CATCH, DOOR (FEMALE)	10	2
6	33001486	PANEL, FASTENER	10	4
7	33001175	COVER, HINGE HOLE (WHT)	10	2
8	33002166	SWITCH, DOOR	10	1
9	33002881	SCREW, SECURITY #10-16X1/2	10	2

*Color Code (-)=Not Shown #=Series, Serial Prefix or Run No., N=Not Available

Section: DOOR

Model: MLG23PDFGW



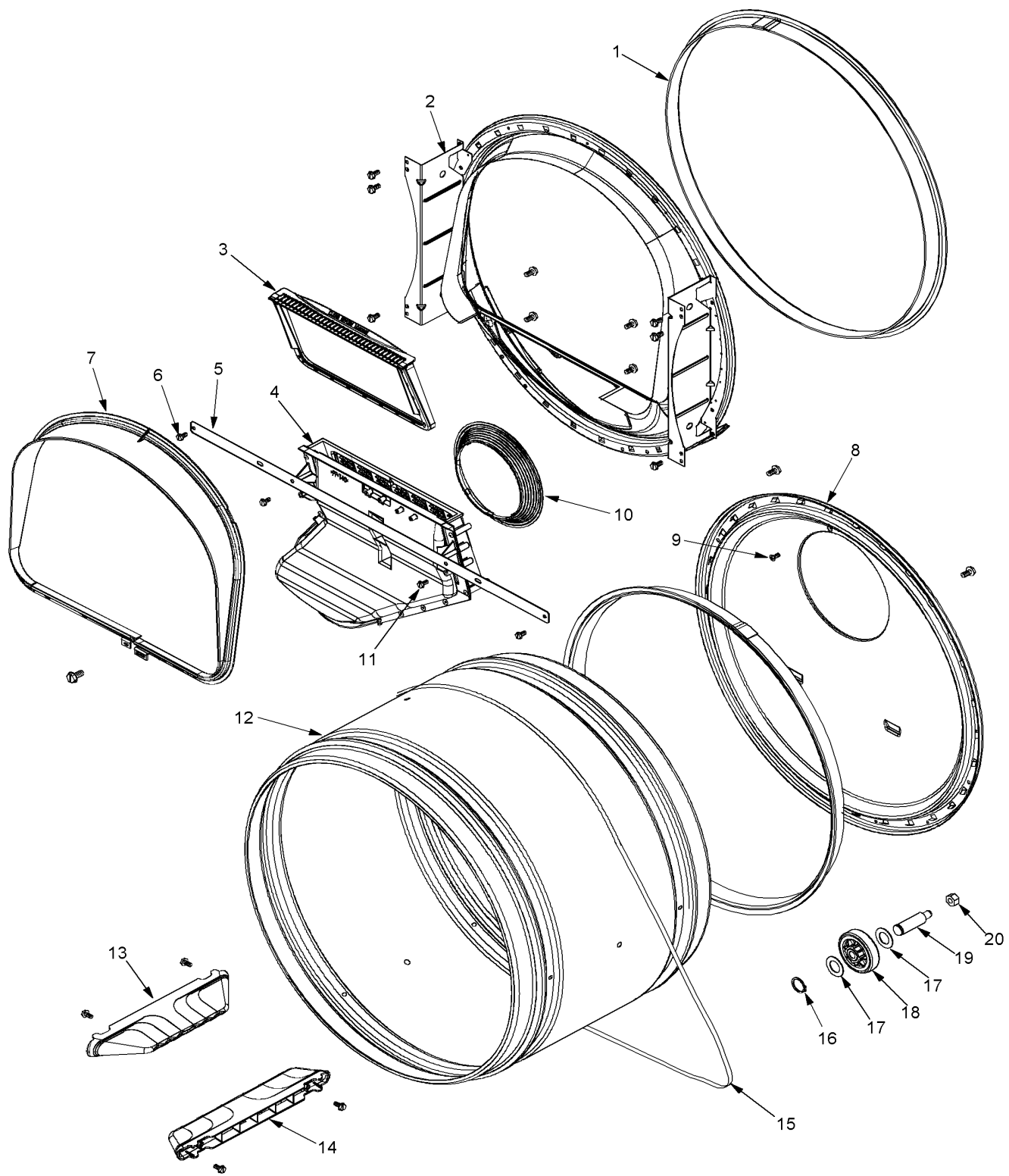
Section: DOOR

No.	Part No.	Description	Series	Qty
1	33002094	SEAL, DOOR	10	1
2	33002607	LENS	10	1
3	22002039	CLIP, DOOR (SINGLE)	10	1
4	22002038	CLIP, DOOR (DOUBLE)	10	4
5	33002017	HINGE, DOOR	10	2
6	33001763	PLUG, INNER DOOR	10	1
7	33001761	STRIKE, DOOR (MALE)	10	1
8	33001793	BRACKET, STRIKE	10	1
9	33002020	DOOR, INNER (WHT)	10	1
10	33002780	DOOR TUNNEL W' HANDLE (WHT)	10	1
11	33002015	DOOR, OUTER (WHT)	10	1
12	22002063	SCREW #8-18AB WAFER HD	10	8
13	22002300	SCREW	10	7
14	22002062	SCREW	10	4

*Color Code (-)=Not Shown #=Series, Serial Prefix or Run No., N=Not Available

Section: TUMBLER

Model: MLG23PDFGW



CD16-30

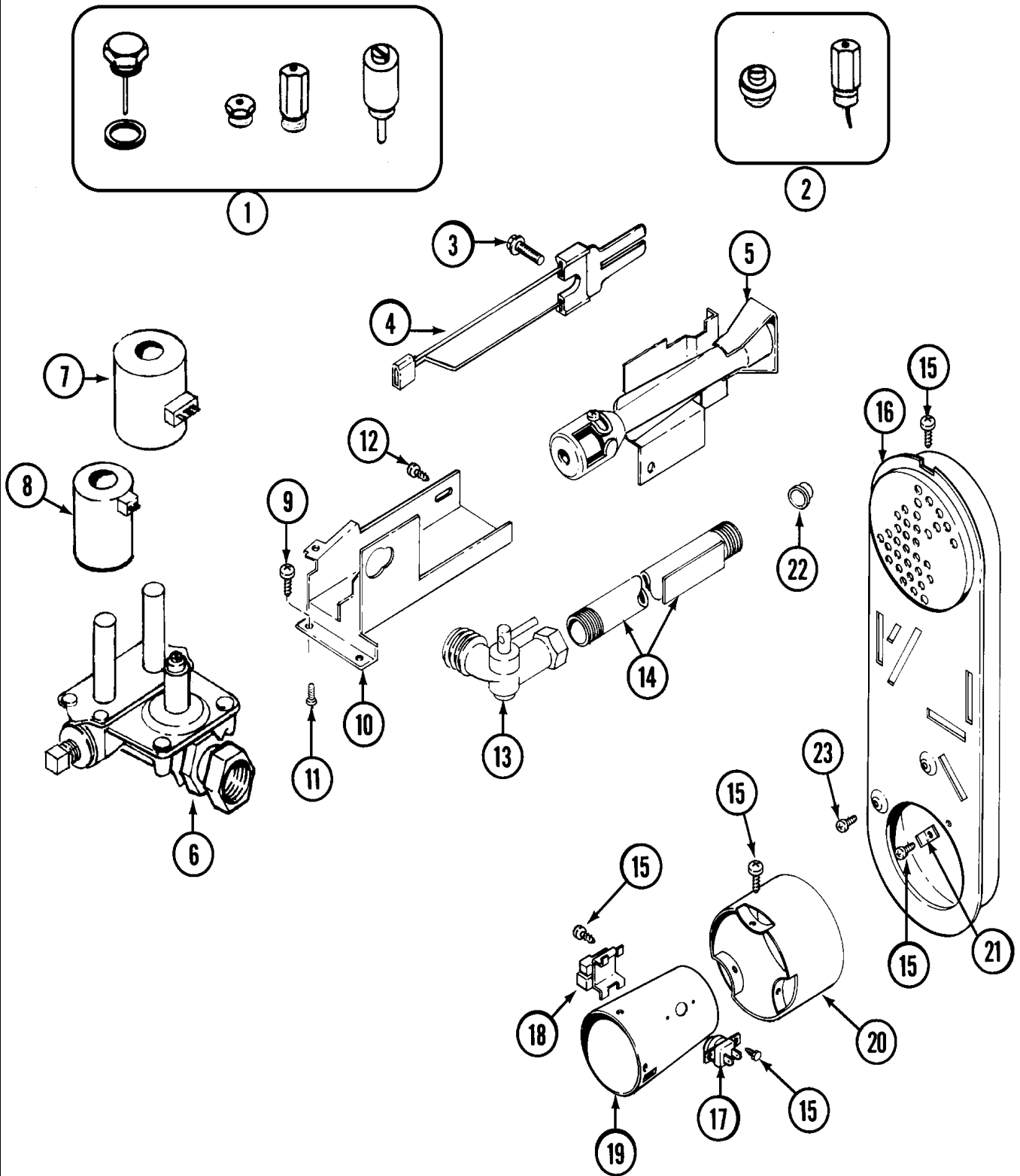
Section: TUMBLER

No.	Part No.	Description	Series	Qty
1	33001807	SEAL, TUMBLER	10	1
2	33001802	FRONT, TUMBLER (W/SEAL)	10	1
-	22001995	SCREW	10	6
3	33001804	FILTER, LINT	10	1
-	22001995	SCREW	10	4
4	33001799	OUTLET DUCT ASSEMBLY	10	1
5	33002039	BRACE, TUMBLER FRONT	10	1
6	22001995	SCREW	10	2
-	22001995	SCREW	10	4
7	33002026	EXTENSION, TUMBLER FRONT	10	1
8	33002779	TUMBLER BACK & SEAL AS-PACK	10	1
-	22001995	SCREW	10	4
9	N 312311	SCREW---NA	10	2
10	33002560	SEAL, BLOWER	10	1
11	33001768	SCREW, SHROUD	10	4
12	33001794	TUMBLER	10	1
13	33001756	BAFFLE (TALL)	10	2
-	33001788	SCREW, BAFFLE	10	4
-	33001788	SCREW, BAFFLE	10	2
14	33001755	BAFFLE (SHORT)	10	1
15	33002535	V-BELT (TUMBLER)	10	1
16	410233	RING, RETAINING	10	2
17	312535	WASHER, ROLLER SHAFT	10	4
18	Y303373	BEARING & ROLLER ASSEMBLY	10	2
19	312948	SHAFT, TUMBLER ROLLER	10	2
20	33001443	NUT, HEX (ROLLER SHAFT)	10	2

*Color Code (-)=Not Shown #=Series, Serial Prefix or Run No., N=Not Available

Section: GAS VALVE

Model: MLG23PDFGW



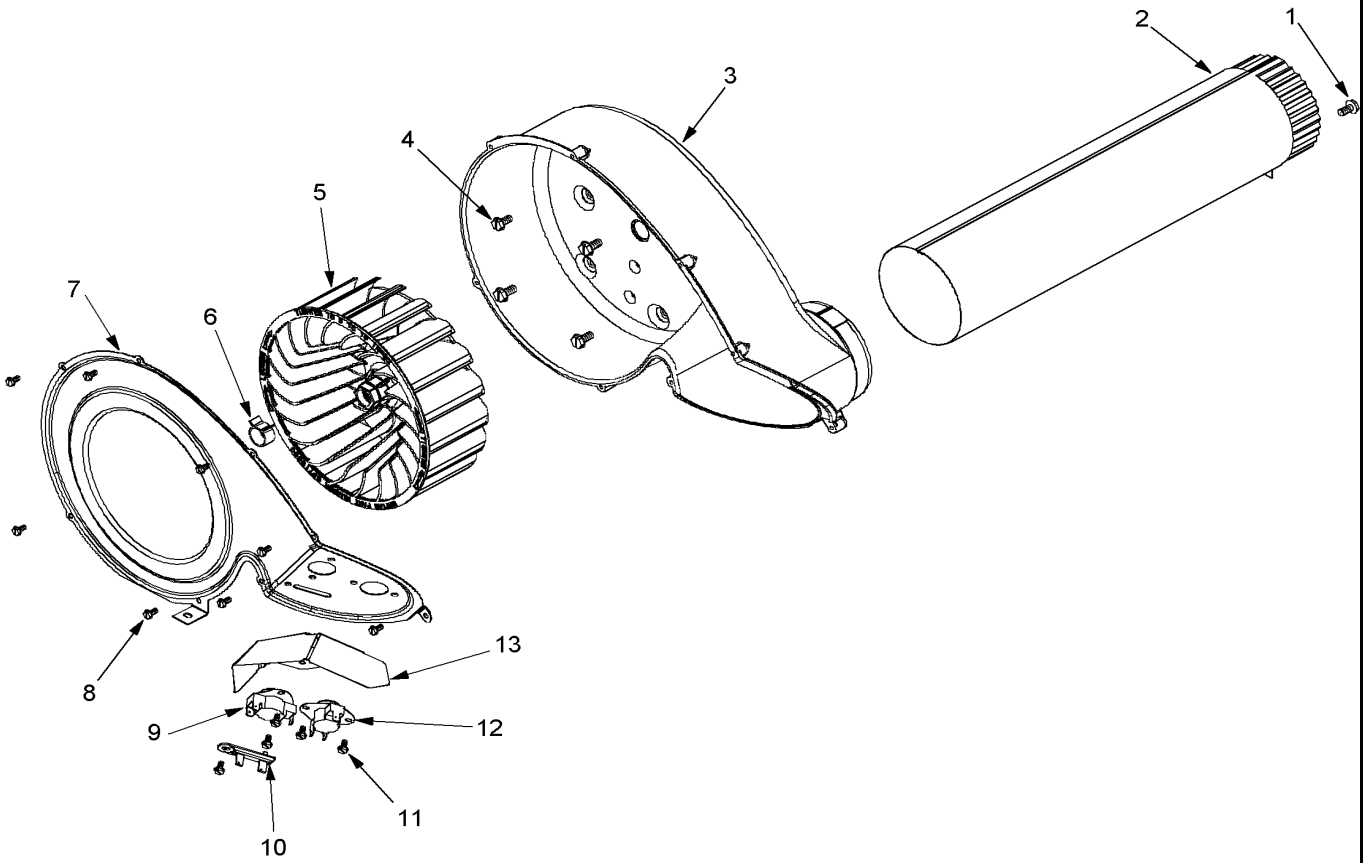
Section: GAS VALVE

No.	Part No.	Description	Series	Qty
1	308378	CONVERSION KIT (NATURAL TO LP)	10	1
2	Y308377	CONVERSION KIT (LP TO NATURAL)	10	1
3	304971	SCREW	10	1
4	33002789	IGNITER ASSEMBLY	10	1
5	33002793	BURNER ASSEMBLY	10	1
6	307927	GAS VALVE - 120V-50HZ	10	1
7	Y307931	HOLDING - BOOSTER COIL	10	1
8	307930	SECONDARY COIL	10	1
9	N 313561	SCREW----NA	10	1
10	33002710	BRACKET, GAS CONTROL	10	1
11	N 313561	SCREW----NA	10	2
12	22001995	SCREW	10	2
13	306086	ANGLE SHUT OFF FOR GAS VALV	10	1
14	33001735	PIPE & BRACKET ASSY.	10	1
15	211294	SCREW	10	14
16	33002765	INLET DUCT ASSEMBLY (GAS)	10	1
17	303395	THERMOSTAT, HI-LIMIT (GAS)	10	1
18	303377	SENSOR, RADIANT	10	1
19	33001835	CONE ASSY., COMBUSTION	10	1
20	N 304953	EXTENSION F/COMBUSTION CONE	10	1
21	Y312890	RETAINER, HEATER CHAMBER	10	1
22	33001693	CAP, GAS PIPE	10	1
23	211294	SCREW	10	1

*Color Code (-)=Not Shown #=Series, Serial Prefix or Run No., N=Not Available

Section: BLOWER

Model: MLG23PDFGW



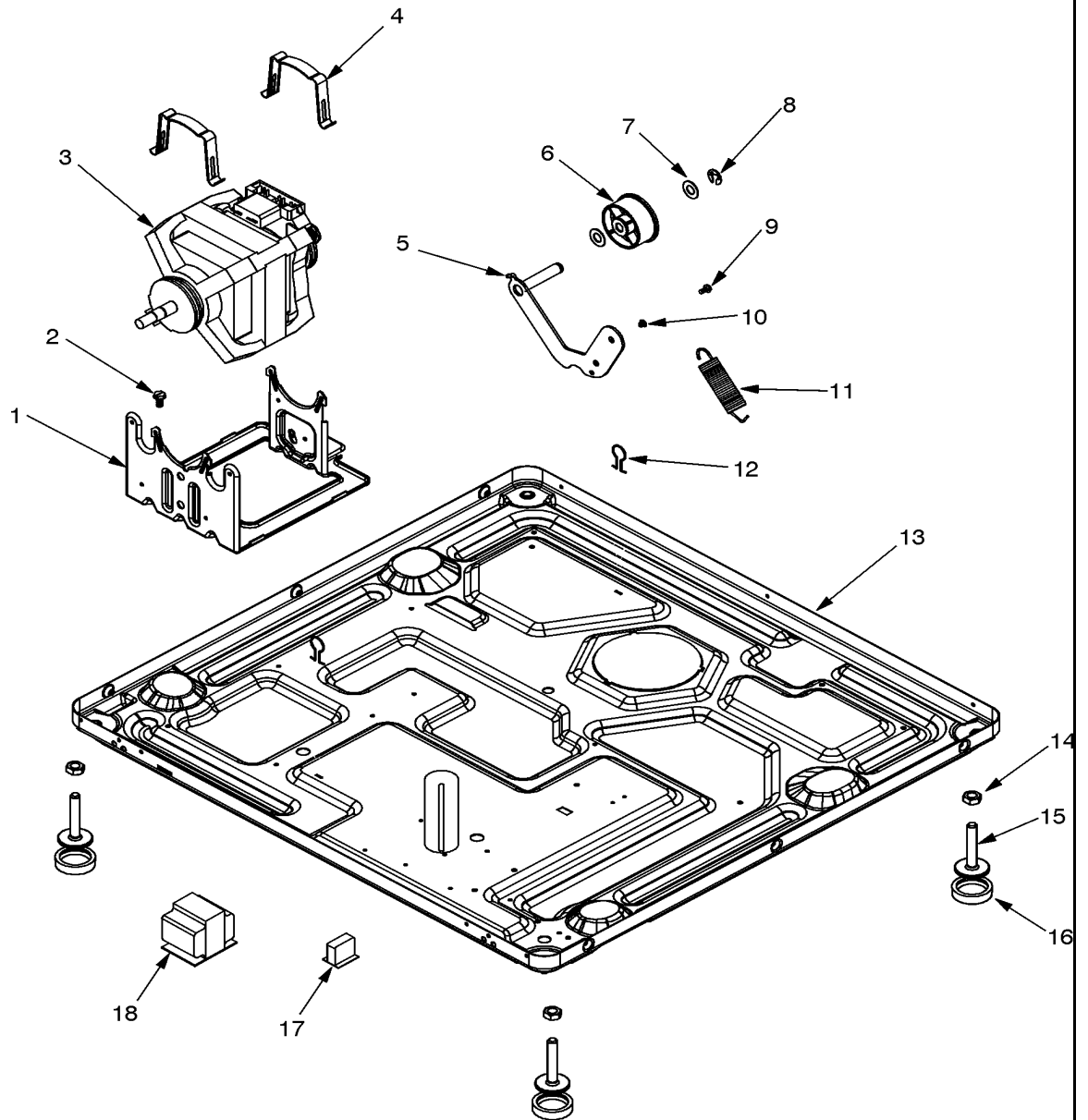
Section: BLOWER

No.	Part No.	Description	Series	Qty
1	22001995	SCREW	10	1
2	33001799	OUTLET DUCT ASSEMBLY	10	1
3	33001789	HOUSING, BLOWER	10	1
4	310632	SCREW	10	4
5	33002797	WHEEL, BLOWER	10	1
6	312967	CLAMP, BLOWER HOUSING	10	1
7	33002711	COVER, BLOWER HOUSING	10	1
8	33001855	SCREW (HEX HEAD)	10	8
9	303392	CYCLING THERMOSTAT 140 DEG.	10	1
10	33001762	FUSE, THERMAL (W' BRACKET)	10	1
11	22002925	SCREW	10	5
12	33303391	THERMOSTAT, CYCLING	10	1

*Color Code (-)=Not Shown #=Series, Serial Prefix or Run No., N=Not Available

Section: BASE

Model: MLG23PDFGW



CD17-31

Section: BASE

No.	Part No.	Description	Series	Qty
2	N 313561	SCREW----NA	10	1
3	33002796	MOTOR, DRIVE 50HZ	10	1
4	33002221	CLIP, MOTOR	10	2
5	33001840	IDLER ARM & SHAFT ASSY.	10	1
6	33001783	BEARING, IDLER ASSEMBLY	10	1
7	312527	WASHER, IDLER SHAFT (QTY-1)	10	2
8	312958	RETAINING RING, IDLER SHAFT	10	1
9	Y014874	SCREW	10	1
10	33002218	GROMMET, IDLER ARM	10	1
11	33002460	SPRING, IDLER	10	1
12	410490	SPRING, WIRE HARNESS	10	2
13	33002816	BASE (UPR)	10	1
13	N 33002465	BASE, (LWR)----NA	10	1
14	Y052740	NUT	10	4
15	22003544	ADJUSTABLE LEG W/FOOT & NUT	10	4
16	210684	FOOT, RUBBER	10	4
17	33002508	TRANSFORMER	10	1
18	33001948	TRANSFORMER	10	2

*Color Code (-)=Not Shown #=Series, Serial Prefix or Run No., N=Not Available

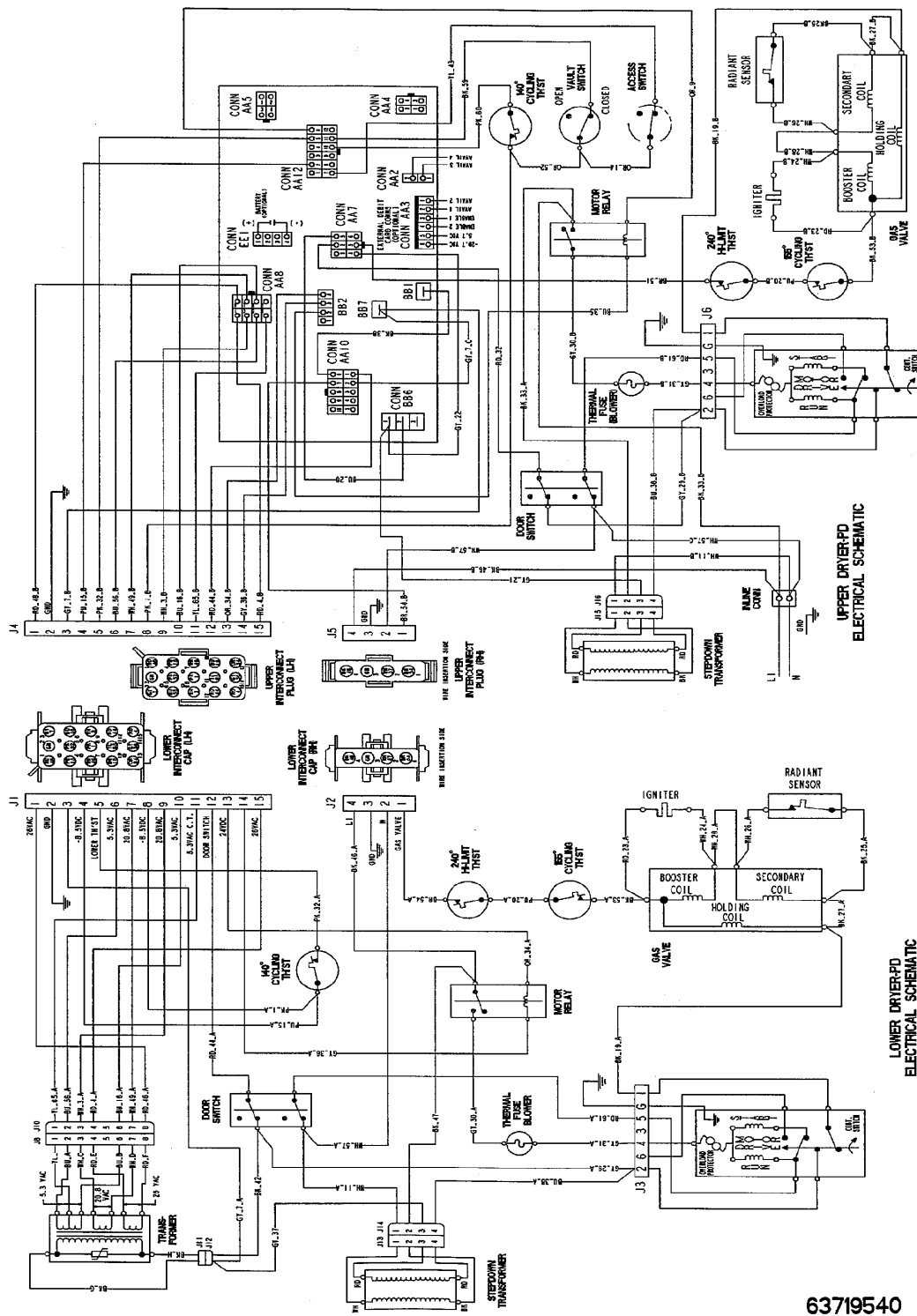
Section: SUPPLEMENTAL INFORMATION

No.	Part No.	Description	Series	Qty
-	33002535	V-BELT (TUMBLER)	10	2
-	33002913	HARNESS, WIRE LOWER	10	1
-	33002912	HARNESS, WIRE UPPER	10	1
-	33002903	INSTRUCTIONS, OPERATING	10	1

*Color Code (-)=Not Shown #=Series, Serial Prefix or Run No., N=Not Available

Section: WIRING INFORMATION(GAS)

Model: MLG23PDFGW



63719540

Section: WIRING INFORMATION(GAS)

No.	Part No.	Description	Series Qty
1	N 15003058	WIRING INFORMATION	10 1

*Color Code (-)=Not Shown #=Series, Serial Prefix or Run No., N=Not Available

