

PARTS LIST

for

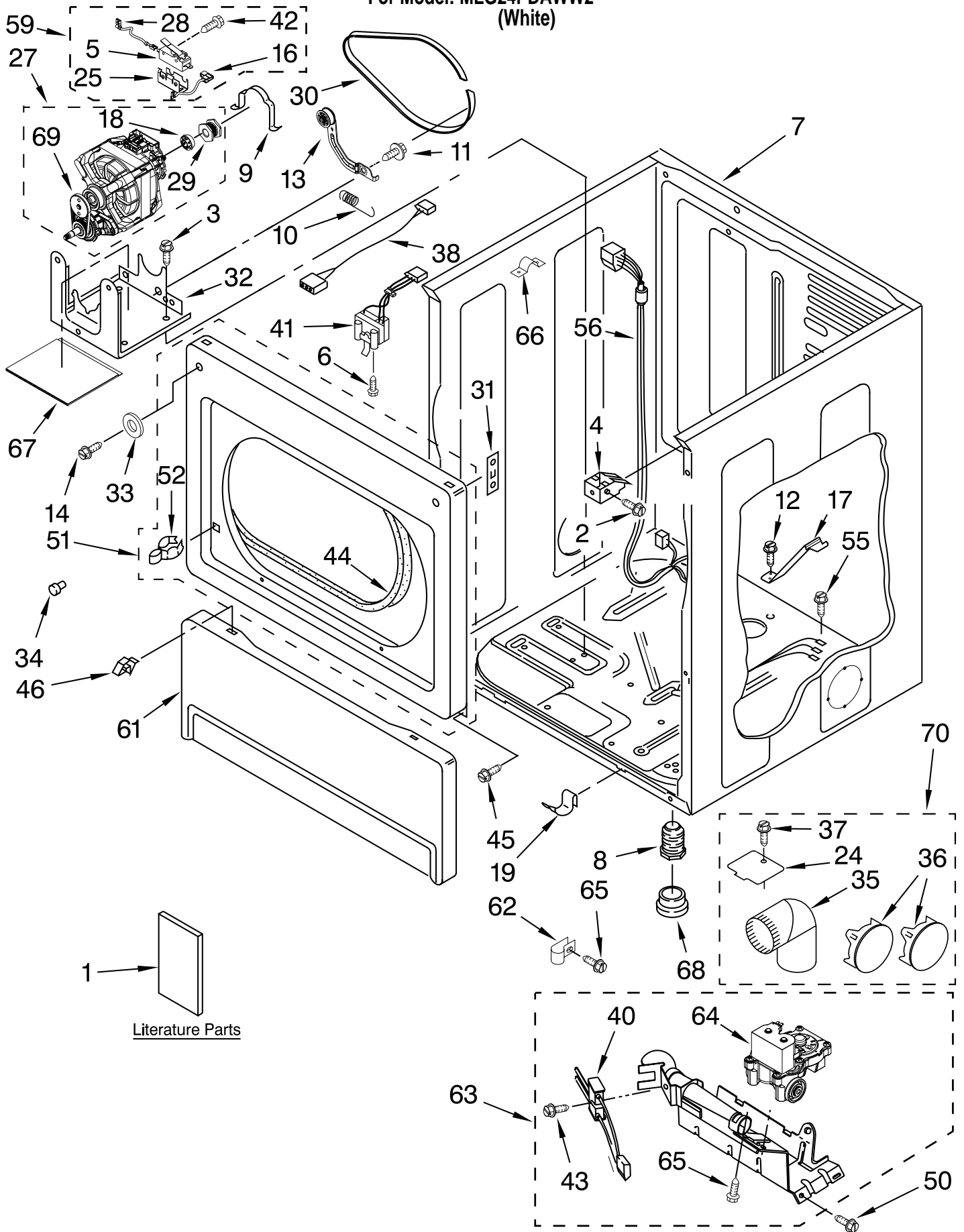
MAYTAG[®]

**COMMERCIAL
GAS DRYER**

**MODEL
MLG24PDAWW2**

LOWER CABINET AND FRONT PANEL PARTS

For Model: MLG24PDAWW2
(White)



FOR ORDERING INFORMATION REFER TO PARTS PRICE LIST

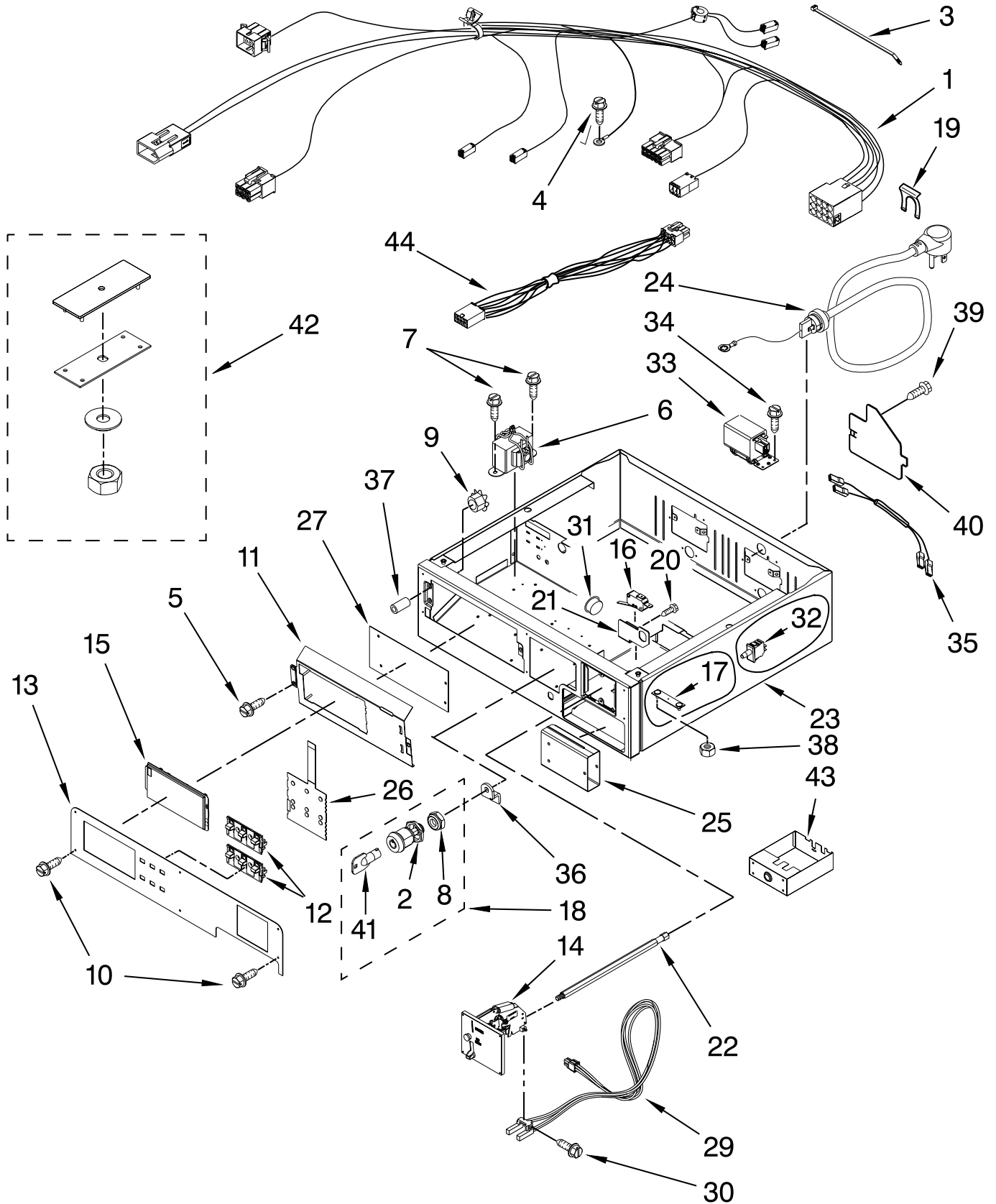
LOWER CABINET AND FRONT PANEL PARTS

For Model: MLG24PDAWW2
(White)

| Illus. No. | Part No. | DESCRIPTION | Illus. No. | Part No. | DESCRIPTION | Illus. No. | Part No. | DESCRIPTION |
|------------|-----------|---|------------|-----------|-------------------------------------|--|-----------|---|
| 1 | | Literature Parts (Located Behind Toe Panel) | 25 | 8564011 | Bracket, Switch | 52 | 696144 | Strike, Door |
| | W10184580 | Installation Instructions | 27 | W10139766 | Motor Assembly (60 Hz.) | 55 | 3390647 | Screw |
| | W10135168 | Tech Sheet | 28 | W10167613 | Wire, Belt Switch (To Protector) | 56 | W10169687 | Harness (Lower) |
| | W10469610 | Repair Parts List | 29 | 3394341 | Pulley 60 Hz | 59 | W10155571 | Switch Assembly |
| 2 | 3391915 | Screw | 30 | W10131172 | Belt, Drive | 61 | 697215 | Panel, Toe (Includes Illus. 34) |
| 3 | 3390663 | Screw | 31 | 3390902 | Clip, Door Hinge | 62 | 3387561 | Clamp-Pipe |
| 4 | 3391846 | Clip, Front Panel | 32 | W10135695 | Bracket, Motor | 63 | W10400668 | Burner Assembly 60 Hz. (Refer To Pages 12 & 13 For Breakdown) |
| 5 | 8564010 | Switch, Broken Belt | 33 | 3392186 | Washer | 64 | W10299939 | Valve, Gas (Complete) 60 Hz |
| 6 | 697773 | Screw | 34 | 693152 | Bumper | 65 | 3387057 | Screw |
| 7 | 8310656 | Cabinet, Lower | 35 | 279731 | 4"-90 Elbow | 66 | 98997 | Clip |
| 8 | 3392100 | Foot, Dryer Plastic | 36 | 697750 | Plug-Multivent | 67 | W10212660 | Sound Pad, Motor |
| 9 | 660658 | Clamp, Motor | 37 | 488729 | Screw | 68 | 3391943 | Boot, Foot |
| 10 | 3387374 | Spring, Idler | 38 | 8283298 | Jumper, Door Switch | 69 | 3405160 | Belt, Poly V |
| 11 | 3389420 | Retainer, Idler | 40 | 686590 | Ignitor | Optional Parts Not Included | | |
| 12 | 693995 | Screw | 41 | 3406109 | Door Switch Assembly | Dryer Exhaust Kit (For Side & Bottom Venting) | | |
| 13 | W10344192 | Idler Assembly | 42 | W10002600 | Screw | 70 279818 White | | |
| 14 | 3400077 | Screw | 43 | 3393909 | Screw | | | |
| 16 | 8539892 | Wire Motor (To Belt Switch) | 44 | 3387242 | Seal, Front Panel | | | |
| 17 | 8529757 | Bracket, Burner | 45 | 342055 | Screw | | | |
| 18 | 3393657 | Restrain, Belt | 46 | 3388229 | Retainer | | | |
| 19 | W10291934 | Clip | 50 | 343641 | Screw | | | |
| 24 | 3394331 | Plate Cover (Bottom Exhaust) | 51 | W10192882 | Upper Front Panel | | | |

CONTROL PANEL AND SEPARATOR PARTS

For Model: MLG24PDAWW2
(White)



FOR ORDERING INFORMATION REFER TO PARTS PRICE LIST

CONTROL PANEL AND SEPARATOR PARTS

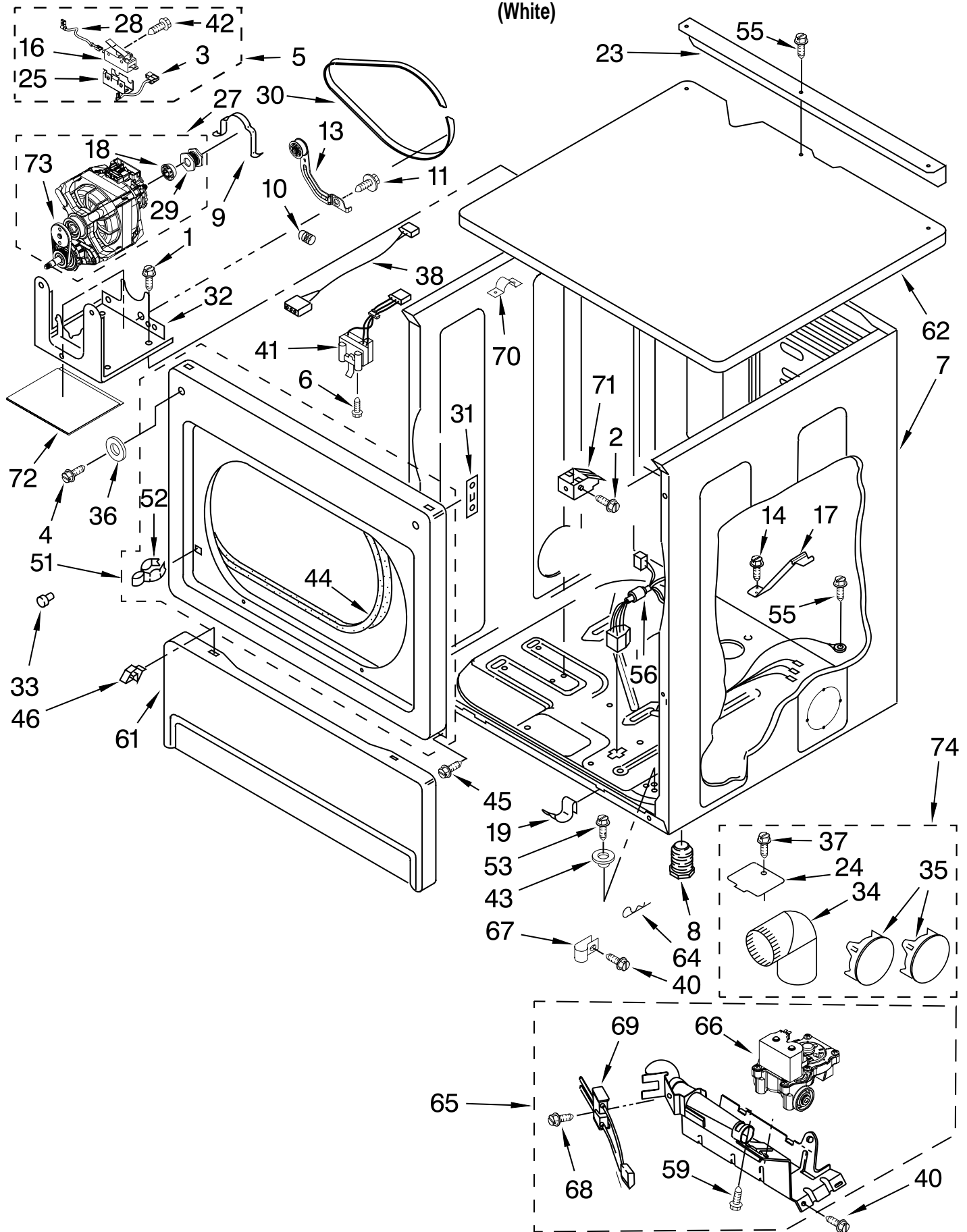
For Model: MLG24PDAWW2
(White)

| Illus. No. | Part No. | DESCRIPTION | Illus. No. | Part No. | DESCRIPTION | Illus. No. | Part No. | DESCRIPTION |
|------------|-----------|----------------------------------|------------|-----------|-------------------------------|------------|-----------|------------------------------|
| 1 | W10167621 | Harness, Collar | 17 | W10159907 | Mounting Strap Assembly | 31 | W10165297 | Snap Bushing |
| 2 | W10139762 | Hex Nut, 3/4-27 | 18 | W10133264 | Lock Assembly | 32 | W10131838 | Switch, Vault & Service Door |
| 3 | 8529895 | Tie, Cable | 19 | 694415 | Strain Relief | 33 | W10306592 | RFI-Filter |
| 4 | 697776 | Screw | 20 | 3400408 | Screw | 34 | 8533971 | Screw |
| 5 | W10140652 | Screw | 21 | W10160652 | Bracket-Switch | 35 | W10188051 | Jumper, Line Filter |
| 6 | W10133285 | Transformer 120Vac To 22.5Vac | 22 | W10137319 | Bolt, 10-32 x 6.06 | 36 | W10133266 | Locking Cam |
| 7 | 8533971 | Screw | 23 | W10159849 | Collar | 37 | W10133514 | Standoff, Circuit Board |
| 8 | W10177242 | Hex-Nut 9/32 - 28 | 24 | W10239314 | Cord, Power | 38 | W10080190 | Nut, 3/8-16 |
| 9 | W10139046 | Nut, 6-32 | 25 | W10133258 | Vault-Body Assembly | 39 | 3400000 | Screw |
| 10 | W10386302 | Screw | 26 | W10133278 | Membrane Switch Assembly | 40 | 3396795 | Cover, Terminal Block |
| 11 | W10163677 | Plate, Control Mounting | 27 | W10130700 | Control Board | 41 | W10140858 | Key, Access Door |
| 12 | W10131113 | Push Button | 29 | W10247389 | Coin-Optic Sensor Assembly | 42 | W10169579 | Kit-Coin Box Security |
| 13 | W10135185 | Facia Console | 30 | W10142655 | Screw | 43 | W10133248 | Coin Box |
| 14 | W10133242 | Coin Drop Assembly | | | | 44 | W10111027 | Jumper, Transformer |
| 15 | W10133268 | Cover, Display | | | | | | |
| 16 | W10447152 | Switch, Service Access | | | | | | |

FOR ORDERING INFORMATION REFER TO PARTS PRICE LIST

UPPER CABINET AND FRONT PANEL PARTS

For Model: MLG24PDAWW2
(White)



FOR ORDERING INFORMATION REFER TO PARTS PRICE LIST

UPPER CABINET AND FRONT PANEL PARTS

For Model: MLG24PDAWW2
(White)

| Illus. No. | Part No. | DESCRIPTION | Illus. No. | Part No. | DESCRIPTION | Illus. No. | Part No. | DESCRIPTION |
|------------|-----------|-------------------------------------|------------|-----------|------------------------------|-----------------------------|-----------|---------------------|
| 1 | 3390663 | Screw | 29 | 3394341 | Pulley (60 Hz.) | 61 | 697215 | Panel, Toe |
| 2 | 3391915 | Screw | 30 | W10131172 | Belt, Drive | | | (Includes |
| 3 | 8539892 | Wire Motor (To Belt Switch) | 31 | 3390902 | Clip, Door Hinge | | | Illus. 33) |
| 4 | 3400077 | Screw | 32 | W10135695 | Bracket, Motor | 62 | 3389351 | Top (Upper) |
| 5 | W10155571 | Switch Assembly | 33 | 693152 | Bumper | 64 | W10117347 | Cotter Pin |
| 6 | 697773 | Screw | 34 | 279731 | 4"-90° Elbow | 65 | W10400668 | Burner Assembly |
| 7 | 3978859 | Cabinet (Upper) | 35 | 697750 | Plug-Multivent | | | 60 Hz. |
| 8 | 689172 | Foot, Dryer Plastic | 36 | 3392186 | Washer | | | (Refer To Pages |
| 9 | 660658 | Clamp, Motor | 37 | 488729 | Screw | | | 12 & 13 For |
| 10 | 3387374 | Spring, Idler | 38 | 8283298 | Jumper, Door Switch | 66 | W10299939 | Valve, Gas |
| 11 | 3389420 | Retainer, Idler | 40 | 343641 | Screw | | | (Complete) |
| 13 | W10344192 | Idler Assembly | 41 | 3406109 | Door Switch Assembly | | | 60 Hz. |
| 14 | 693995 | Screw | 42 | W10002600 | Screw | 67 | 3387561 | Clamp, Pipe |
| 16 | 8564010 | Switch, Broken Belt | 43 | 3389233 | Bushing | 68 | 3393909 | Screw |
| 17 | 8529757 | Bracket, Burner | 44 | 3387242 | Seal, Front Panel | 69 | 686590 | Ignitor |
| 18 | 3393657 | Restrain, Belt | 45 | 342055 | Screw | 70 | 98997 | Clip |
| 19 | W10291934 | Clip | 46 | 3388229 | Retainer | 71 | 3391846 | Clip, Front |
| 23 | 3979115 | Bracket, Angle | 51 | W10192882 | Upper Front Panel | | | Panel |
| 24 | 3394331 | Plate, Cover (Bottom Exhaust) | 52 | 696144 | Stike, Door | 72 | W10212660 | Sound Pad, Motor |
| 25 | 8564011 | Bracket, Switch | 53 | 3400523 | Screw, Security (Includes | 73 | 3405160 | Belt, Poly V |
| 27 | W10139766 | Motor Assembly 60 Hz. | | | Illus. 64) | Optional Parts Not Included | | |
| 28 | W10167613 | Wire, Belt Switch (To Protector) | 55 | 3390647 | Screw | Dryer Exhaust Kit | | |
| | | | 56 | W10169686 | Harness (Upper) | (For Side & Bottom Venting) | | |
| | | | 59 | 3387057 | Screw | 74 | 279818 | White |

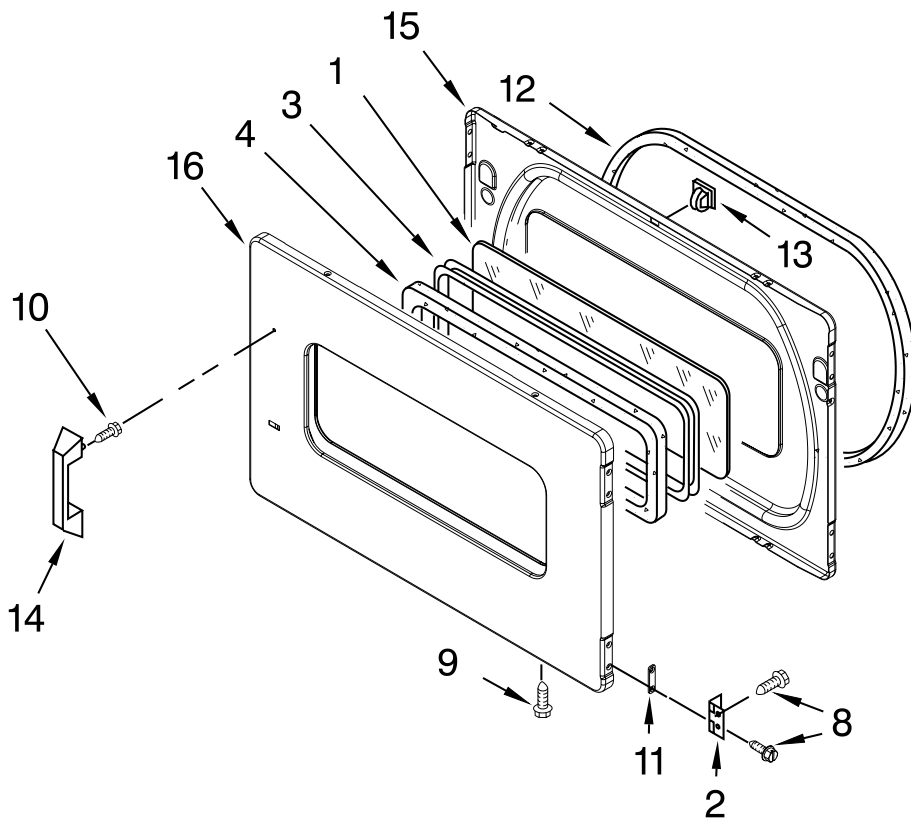
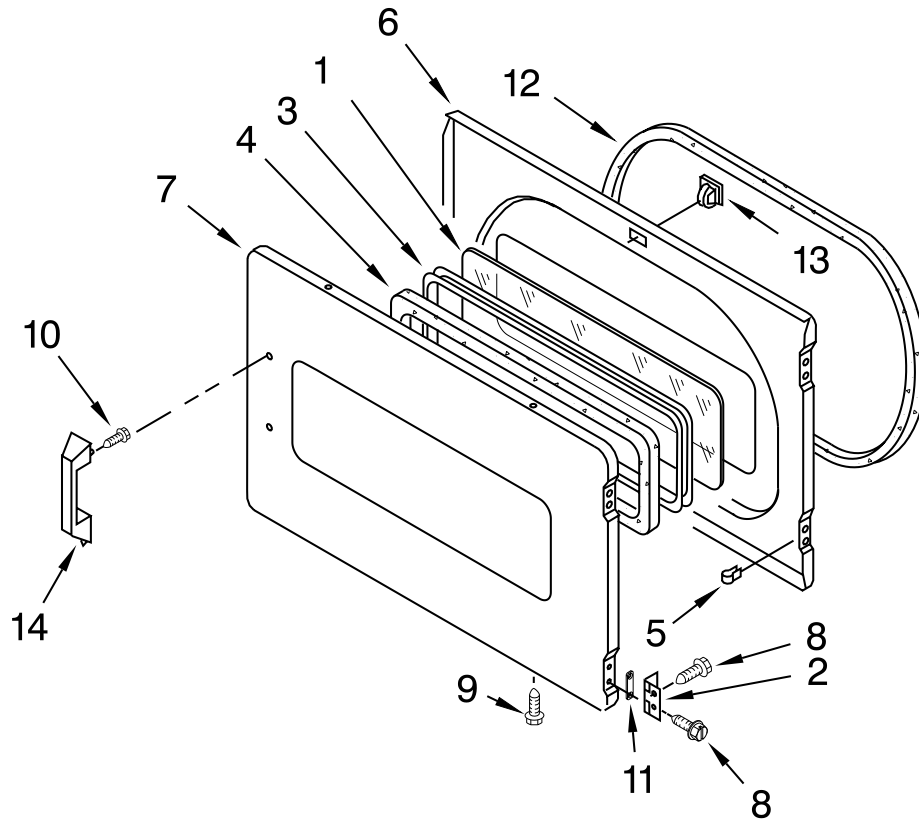
UPPER AND LOWER BULKHEAD PARTS

For Model: MLG24PDAWW2
(White)

| Illus. No. | Part No. | DESCRIPTION | Illus. No. | Part No. | DESCRIPTION | Illus. No. | Part No. | DESCRIPTION |
|------------|-----------|-------------------------|------------|-----------|---|------------|-----------|-------------------------------|
| 1 | 8575324 | Shaft, R.H. Thread | 16 | W10001120 | Nut, 3/8-16 (L.H.) | 30 | W10049370 | Lint Screen |
| 2 | 8066086 | Drum Hole Plug | 17 | 8520836 | Bulkhead, Rear | 31 | 695240 | Screw |
| 3 | 8533971 | Screw | 18 | 3387459 | Washer, Support | 32 | W10349492 | Wheel, Blower |
| 4 | 90767 | Screw | 19 | 8575325 | Shaft, L.H. Thread | 33 | 8563758 | Door, Lint Screen |
| 5 | 3394346 | Air Duct Assembly | 20 | 690997 | Ring, Tri | 34 | W10193019 | Thermostat, 140°F Cycling |
| 6 | 697813 | Seal, Outlet Housing | 21 | W10314171 | Roller, Support | 35 | 3387230 | Screw |
| 7 | 697814 | Seal, Drum Front | 22 | 3391912 | Thermostat High Limit | 36 | W10135254 | Housing, Blower |
| 8 | 3934666 | Nut, 3/8 x 16 (R.H.) | 23 | 8563755 | Housing, Outlet | 37 | 8066168 | Lint Duct Assembly |
| 9 | 8066224 | Exhaust Pipe | 24 | 3401707 | Jumper-TCO High Limit | 38 | 8573824 | Funnel, Burner |
| 10 | 8572105 | Clip, Exhaust | 25 | 8318215 | Drum Complete | 39 | 338906 | Sensor, Radiant |
| 11 | 3357011 | Screw | 26 | W10219342 | Screw | 40 | W10131836 | Thermostat 155° Electronic |
| 12 | W10345456 | Clip-Spring | 27 | W10166807 | Seal, Drum | 41 | 697693 | Baffle, Drum |
| 13 | 3390647 | Screw | 28 | 3394986 | Spring, Lint Screen | 42 | 697557 | Bulkhead, Front |
| 14 | 3402841 | Lens, Drum Light | 29 | 8573713 | Thermal-Cutoff (Includes Item. 22) | 43 | 8563756 | Grille, Outlet |
| 15 | 8578825 | Bracket, Drum Light | | | | 44 | 3392519 | Thermal Limiter |
| | | | | | | 45 | 697770 | Seal, Cover Plate |

DOOR PARTS

For Model: MLG24PDAWW2
(White)



FOR ORDERING INFORMATION REFER TO PARTS PRICE LIST

DOOR PARTS

For Model: MLG24PDAWW2
(White)

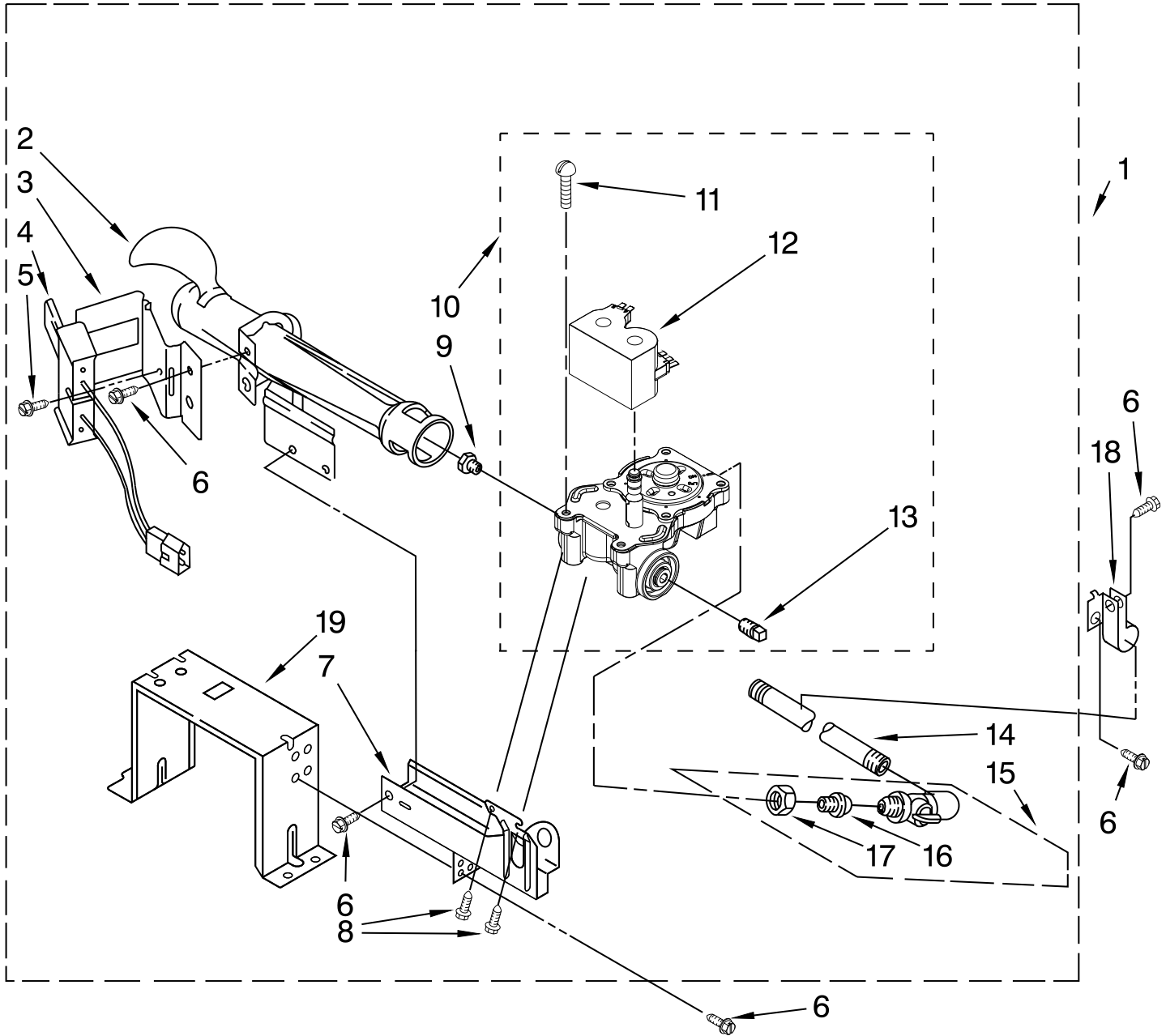
| Illus. No. | Part No. | DESCRIPTION |
|-----------------------|---------------------|---|
| 1 | 3392918 | Window (Not Shown Part 3396122 Window Pack Includes Illus. 1 & 4) |
| 2 | W10279703 | Hinge & Pin |
| 3 | 3392914 | Frame, Window |
| 4 | 3392915 | Gasket, Window |
| 5 | 3389249 | "U" Nut |
| 6 | W10205622 | Inner Door |
| 7 | W10205649 | Outer Door |
| 8 | 342055 | Screw |
| 9 | 694091 | Screw |
| 10 | 9742177 | Screw |
| 11 | W10191265 | Plug, Hinge Screw |
| 12 | 3390735 | Door Seal |
| 13 | 3392538 | Catch, Door Assembly |
| 14 | W10213202 | Handle, Door |
| 15 | W10323063 | Door, Inner |
| 16 | W10322548 | Door, Outer |

YOUR MODEL WAS PRODUCED WITH TWO DIFFERENT DOOR VARIATIONS. REFER TO ART TO ENSURE CORRECT PART IS ORDERED.

BURNER ASSEMBLY

For Model: MLG24PDAWW2
(White)

USE WITH TYPE 1 – NATURAL, TYPE 2 – MIXED,
AND TYPE 4 – LIQUEFIED PROPANE AND BUTANE GASES



FOR ORDERING INFORMATION REFER TO PARTS PRICE LIST

BURNER ASSEMBLY

For Model: MLG24PDAWW2
(White)

USE WITH TYPE 1 – NATURAL, TYPE 2 – MIXED,
AND TYPE 4 – LIQUEFIED PROPANE AND BUTANE GASES

| <u>Illus.</u> | <u>Part</u> | |
|---------------|-------------|---|
| <u>No.</u> | <u>No.</u> | <u>DESCRIPTION</u> |
| 1 | W10400668 | Burner Assembly 60 Hz. (Type 1, 2 & 3) (Copreci) |
| 2 | 688617 | Tube, Burner |
| 3 | 694298 | Bracket, Ignitor |
| 4 | 686590 | Ignitor |
| 5 | 3393909 | Screw & Washer (8–32 x 5/8) |
| 6 | 343641 | Screw, 10–16 x 1/2 |
| 7 | 3389871 | Base, Burner |
| 8 | 3387057 | Screw, 10–16 x 1/2 |
| 9 | | Orifice, Burner |
| | 234870 | Type 1 |
| | 234868 | Type 2 |
| 10 | W10299939 | Valve, Gas 60 Hz. (Complete) |
| 11 | 326049536 | Screw, Coil |
| 12 | W10328463 | Coil, 60 Hz. |
| 13 | W10295523 | Plug, Pipe |
| 14 | W10110395 | Pipe, Gas Supply |
| 15 | 697441 | Valve & Union Shut-Off |
| 16 | 3393767 | Pipe, Tail |
| 17 | 233076 | Nut, Compression |
| 18 | 3387561 | Clamp, Pipe |
| 19 | 3389889 | Bracket, Support |

Following Parts Not Illustrated

W10436933RE Conversion Kit
(Type 1 and 2)
to Type (4) L.P.G.

OPTIONAL PARTS (NOT INCLUDED)

For Model: MLG24PDAWW2
(White)

| Illus. | Part | |
|---------------|-------------|--------------------|
| No. | No. | DESCRIPTION |

ACCESSORY PARTS

4392067 Kit,
Dryer Repair
285875 Kit, Security

PAINT, TOUCH-UP (1/2oz.)

72017 White

PAINT, PRESSURIZED SPRAY (12 oz.)

350930 White
350938 Primer, Grey

PAINT, BULK (1 qt.)

799344 White (Uncut)