

DRYER

Repair Parts List

MODEL NUMBER
MLG31PCAWW

When requesting service or ordering parts, always provide the following information:

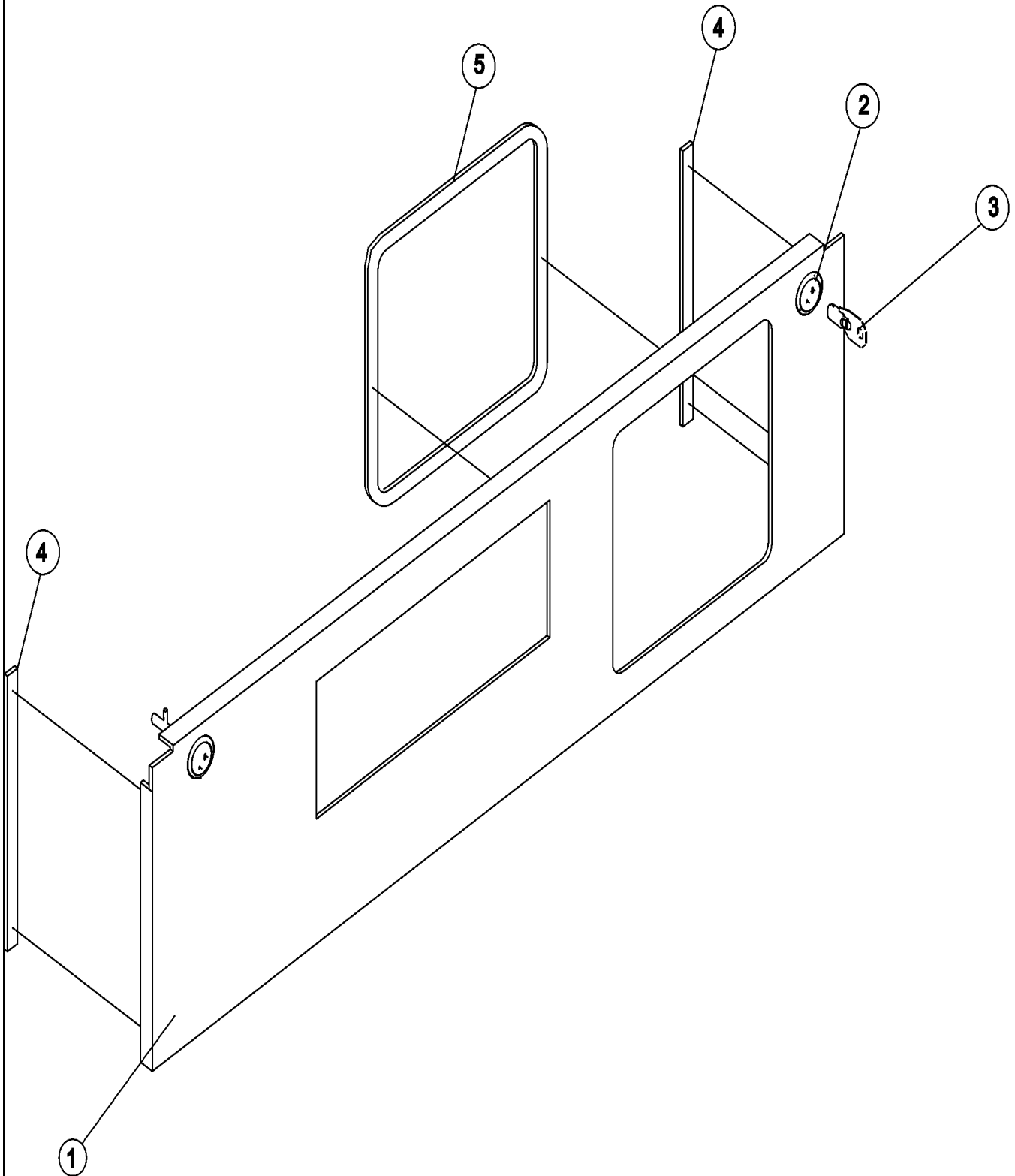
- Product Type
- Part Number
- Model Number
- Part Description

MAYTAG®

©2005 Maytag Services

Section: COIN CONTROL DOOR ASSEMBLY

Model: MLG31PCAWW



OD22-02

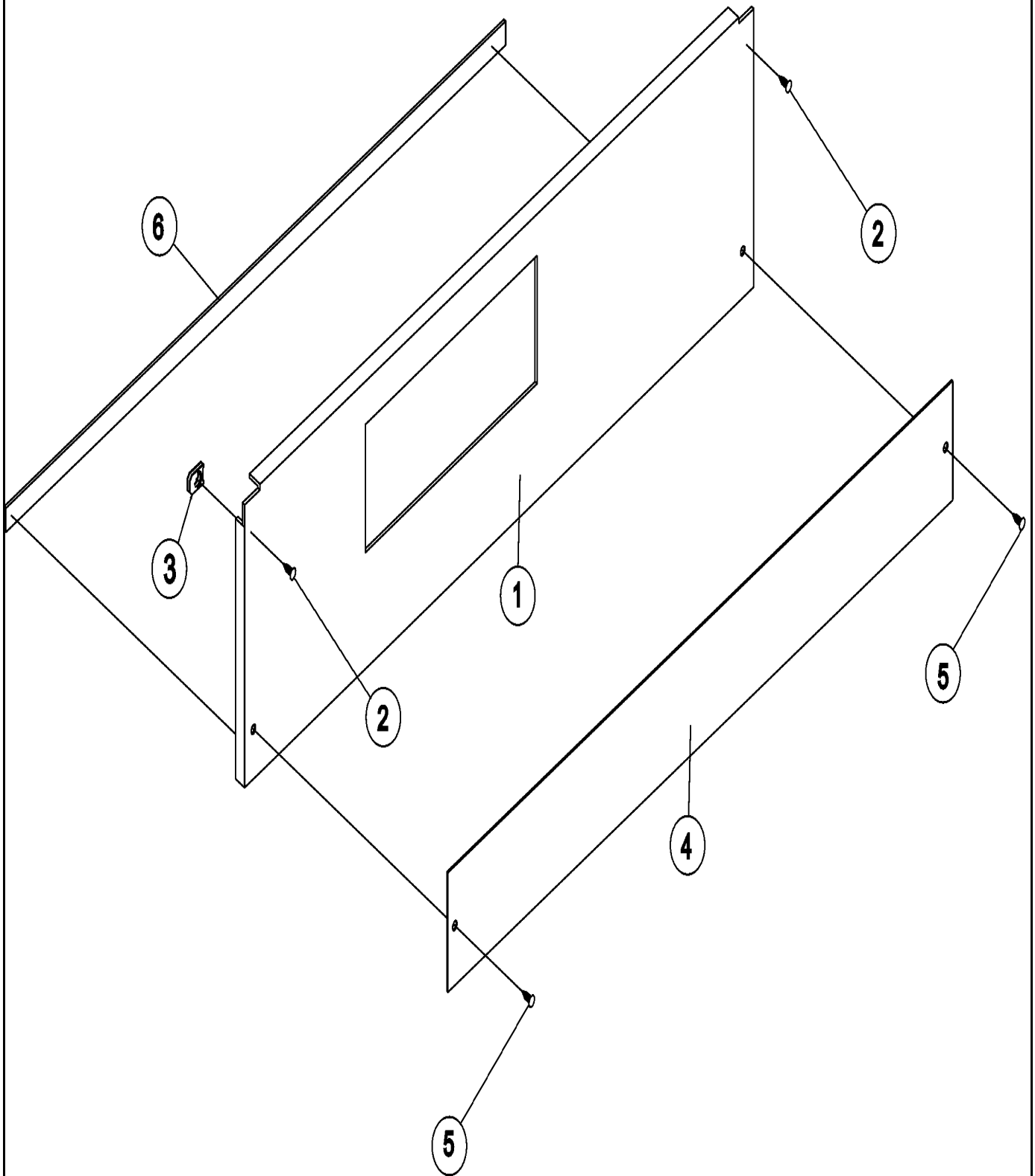
Section: COIN CONTROL DOOR ASSEMBLY

No.	Part No.	Description	Series	Qty
1	A883379	CONTROL DOOR, ASSY WHT	10	1
2	A160040	LOCK ASSY.	10	1
3	A160140	KEY ONLY, HI SEC LOCK (XX4451)	10	5
4	A117603	TAPE, SUPPRESSOR	10	1
5	A117605	GASKET	10	5

*Color Code (-)=Not Shown #=Series, Serial Prefix or Run No., N=Not Available

Section: LINT DOOR ASSEMBLY

Model: MLG31PCAWW



OD23-02

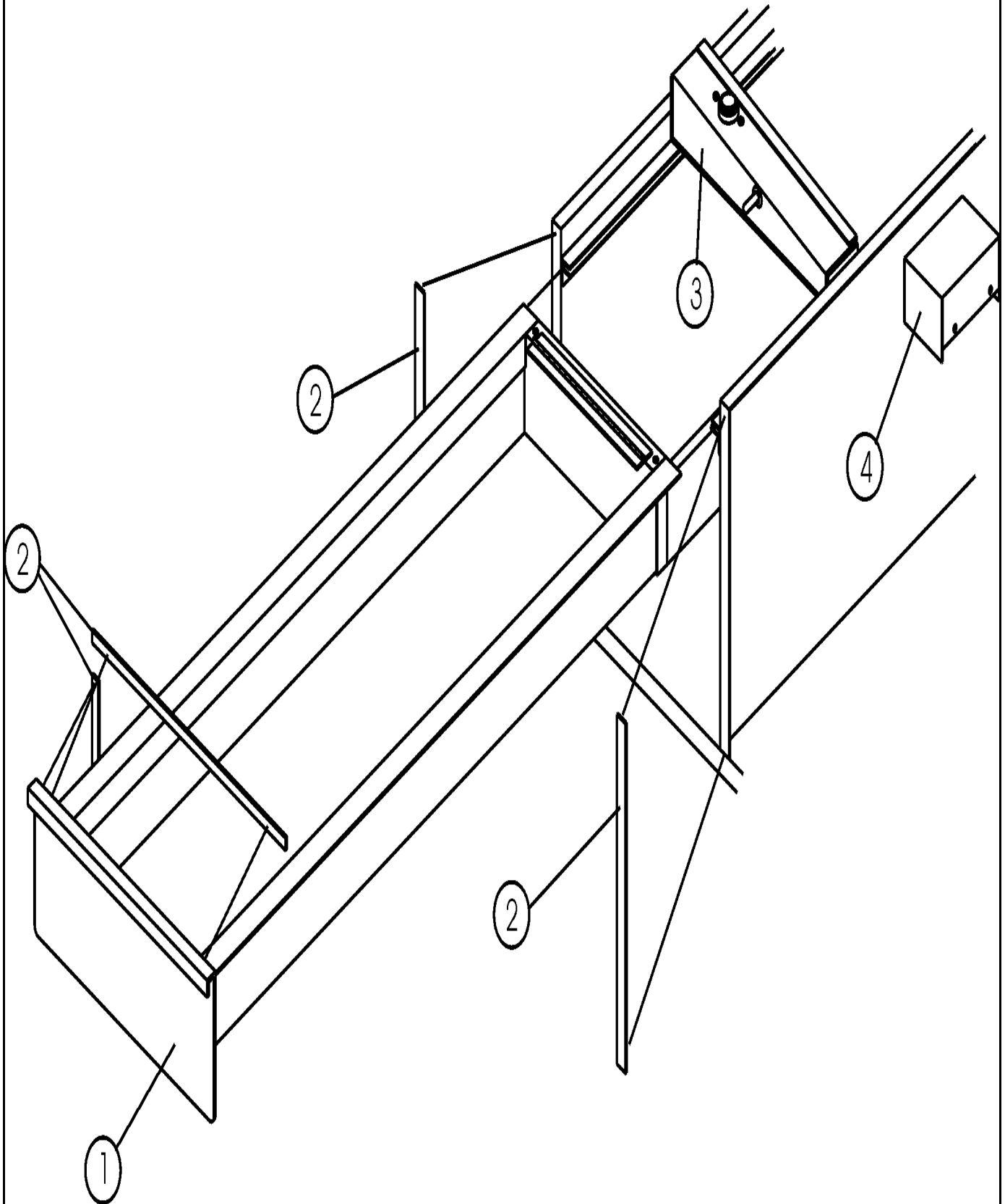
Section: LINT DOOR ASSEMBLY

No.	Part No.	Description	Series	Qty
1	A883377	LINT DOOR ASSY WHT	10	1
2	A150314	TORX & BIN HD MACHINE SCREW	10	2
-	A400505	TORX BIT	10	1
3	A154011	MULTI-THREAD U-NUT	10	2
4	A883369	TRIM, BLK	10	1
5	A150319	SCREW, BLK 10-32 X 1/2	10	2
6	A117600	GASKET, TAPE (SOLD IN FEET)	10	3

*Color Code (-)=Not Shown #=Series, Serial Prefix or Run No., N=Not Available

Section: LINT DRAWER ASSEMBLY

Model: MLG31PCAWW



OD16-03

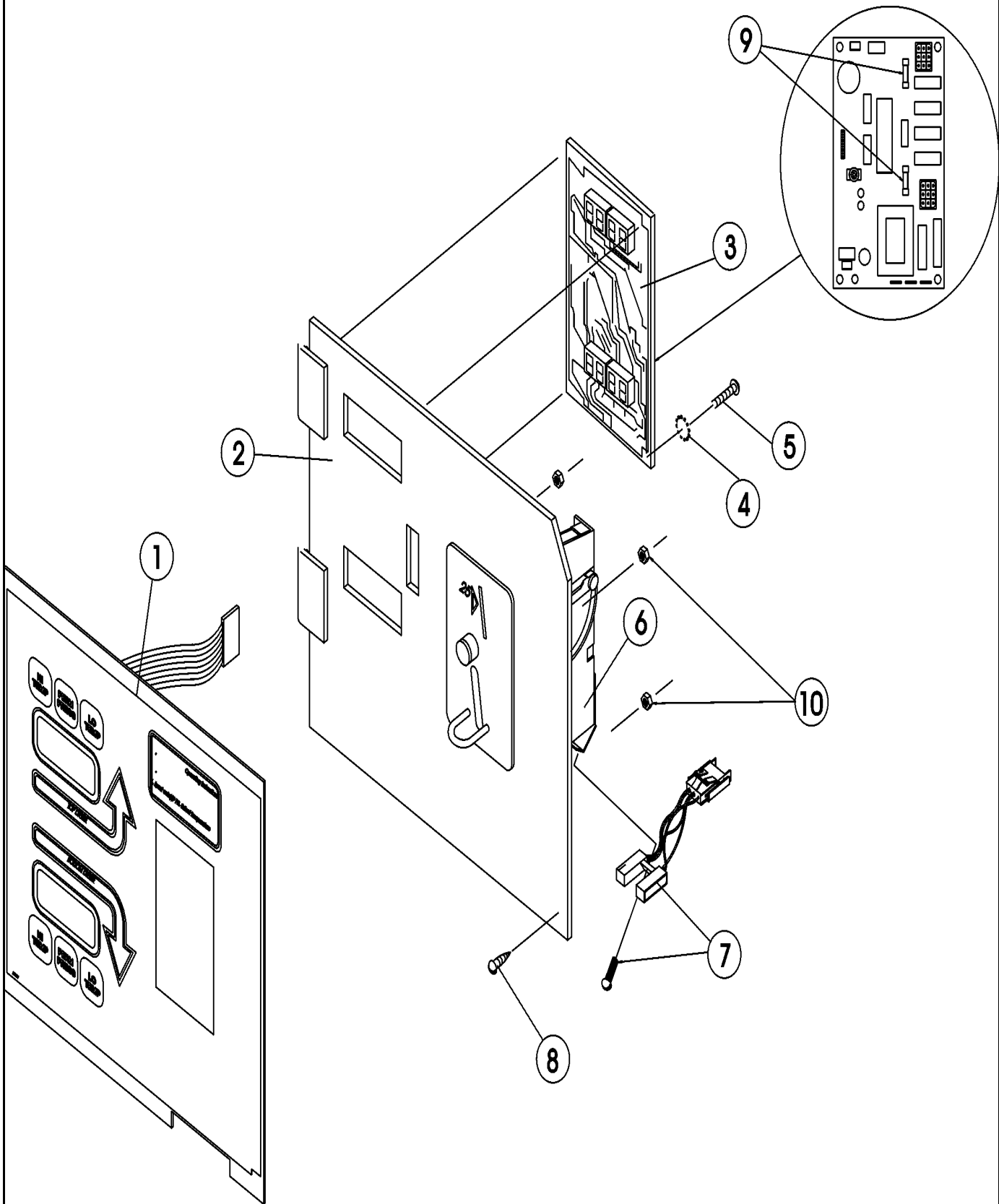
Section: LINT DRAWER ASSEMBLY

No.	Part No.	Description	Series	Qty
1	A883401	LINT DRAWER ASSY, WHT	10	1
2	A117604	TAPE, FOAM (SOLD IN FEET)	10	3
3	A801409	TEMP. SENSOR BRACKET ASSY COMP	10	1
4	A802816	LINET DRAWER SWITCH ASSY COMP	10	1

*Color Code (-)=Not Shown #=Series, Serial Prefix or Run No., N=Not Available

Section: DMC CONTROL PANEL ASSEMBLY

Model: MLG31PCAWW



OD11-01

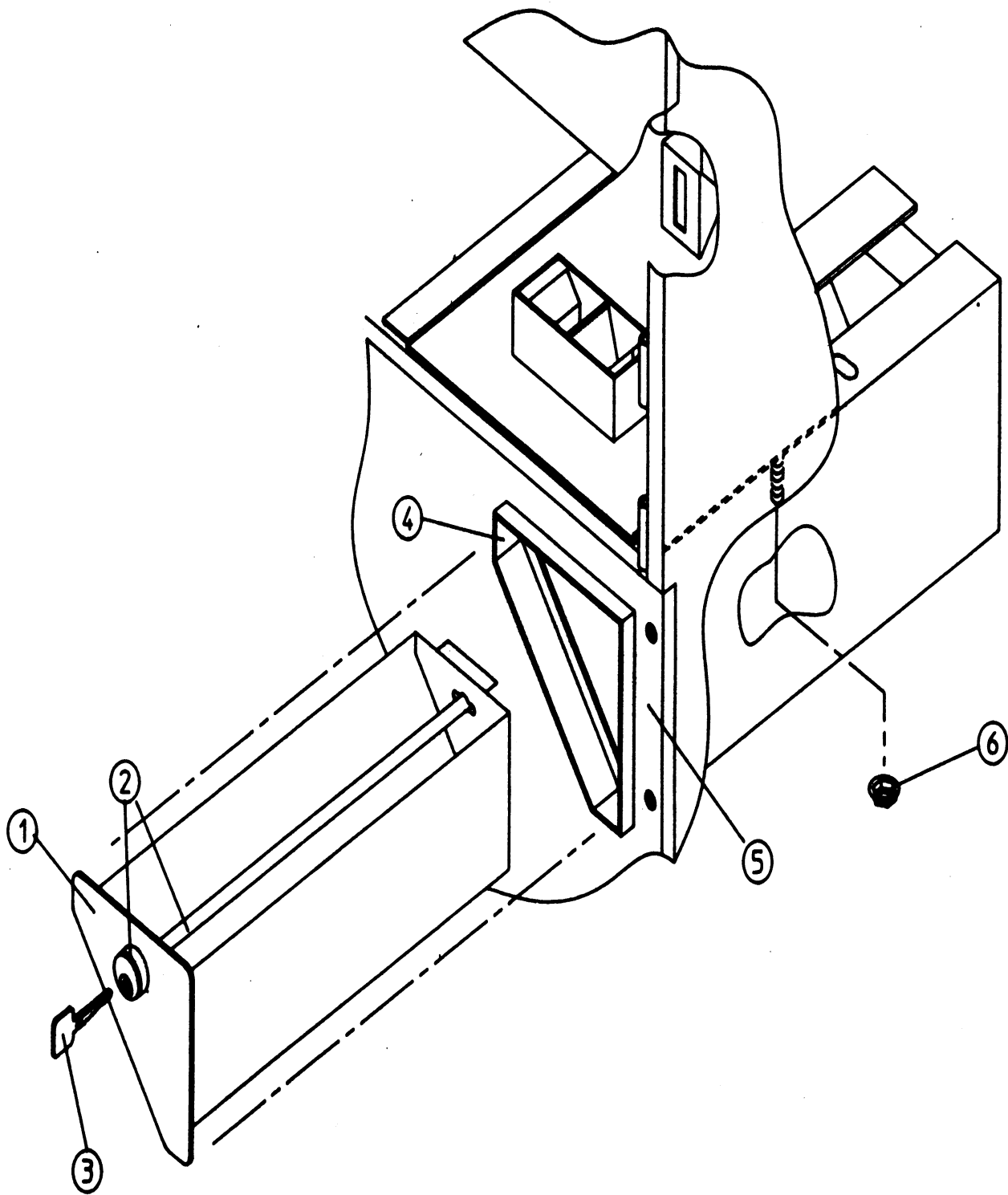
Section: DMC CONTROL PANEL ASSEMBLY

No.	Part No.	Description	Series	Qty
1	A112566	LABEL, SINGLE COIN TWIN TOUCH	10	1
2	A881482	SINGLE COIN CONTROL PANEL	10	1
-	A881483	DUAL MICRO CONT COINTROL PANEL	10	1
3	A137234	DUAL MICRO CONTROL-5 PHASE	10	1
4	A153010	WASHER, STAR (#6)	10	2
5	A150005	SCREW, PHILL (6-32 X 1/4")RND	10	2
6	A881163	0.25 COIN ACCEPTOR W/OPTIC	10	1
-	A881451	TOKEN OPTIC COIN ACCEPTOR-.062	10	1
-	A881450	0.25 CANADIAN COIN ACCEPTOR	10	1
-	A881636	TOKEN OPTIC COIN ACCEPTOR-.07	10	1
7	A881143	OPTICAL SWITCH	10	1
8	A150309	SCREW, CRIMPTITE	10	1
9	A136048	FUSE, 1/8 AMP (SLO BLO)	10	4
10	A152102	M3 METRIC HEX NUT	10	4

*Color Code (-)=Not Shown #=Series, Serial Prefix or Run No., N=Not Available

Section: COIN VAULT ASSEMBLY

Model: MLG31PCAWW



MA303A10

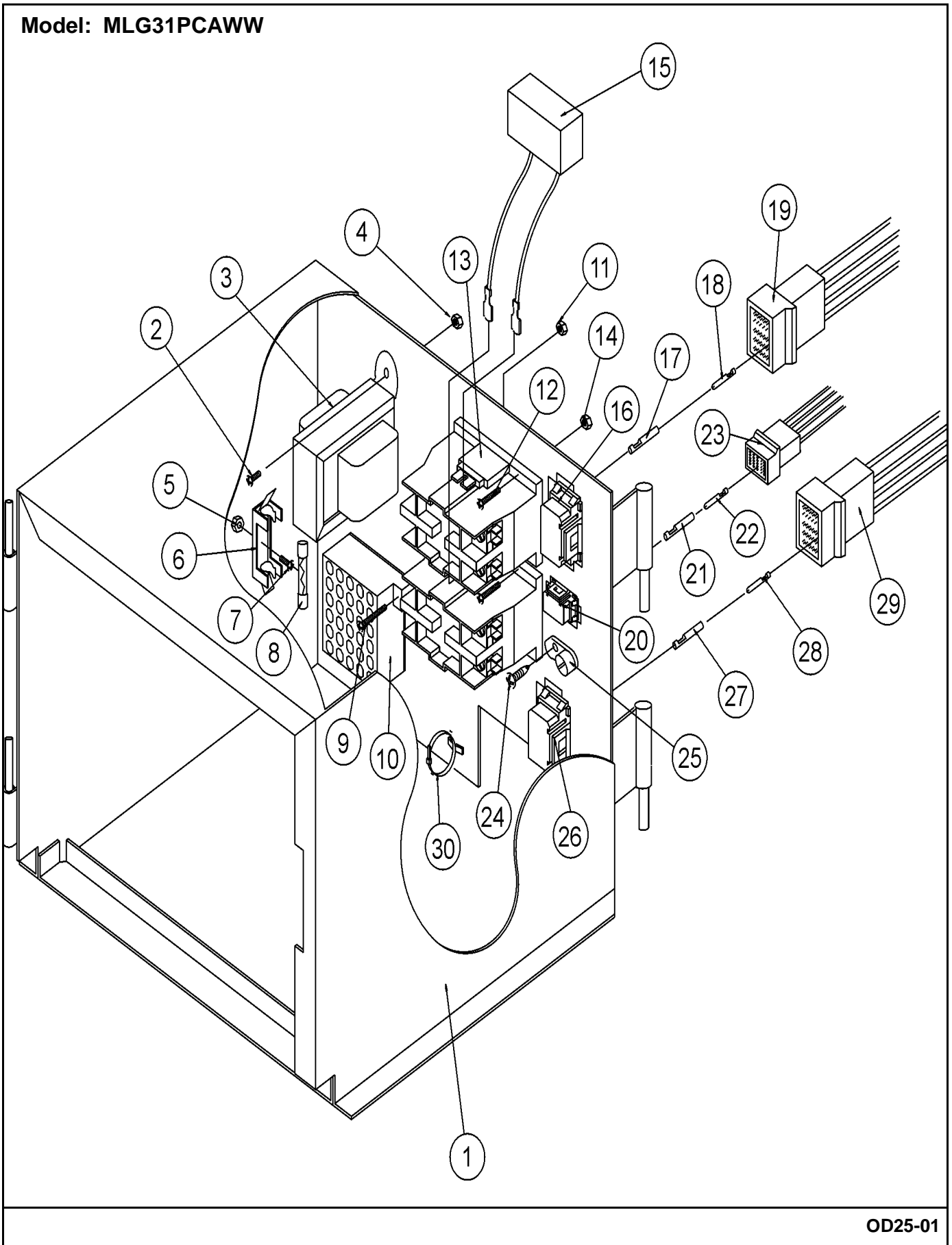
Section: COIN VAULT ASSEMBLY

No.	Part No.	Description	Series	Qty
1	A850975	BOX, COIN	10	1
1	A883347	BOX, COIN W/BLK FACE PLT	10	1
1	A883348	FACE PLATE, BLK	10	1
2	A160036	LOCK ASSY. W/KEY Note: SPECIFY KEY NUMBER WHEN ORDERING	10	1
3	A160136	KEY Note: SPECIFY KEY NUMBER WHEN ORDERING	10	1
4	A883383	COIN VAULT ASSY, BLK	10	1
-	A883382	COIN VAULT, BLK	10	1
5	A883372	FRONT PANEL, LOWER BSQ	10	1
5	A883371	FRONT PANEL, LOWER WHT	10	1
5	A883488	FRONT PANEL, LOWER SS	10	1
6	A152014	NUT, FREE SPIN WASH (#20-1/4)	10	4

*Color Code (-)=Not Shown #=Series, Serial Prefix or Run No., N=Not Available

Section: DMC CONTROL BOX ASSEMBLY

Model: MLG31PCAWW



OD25-01

Section: DMC CONTROL BOX ASSEMBLY

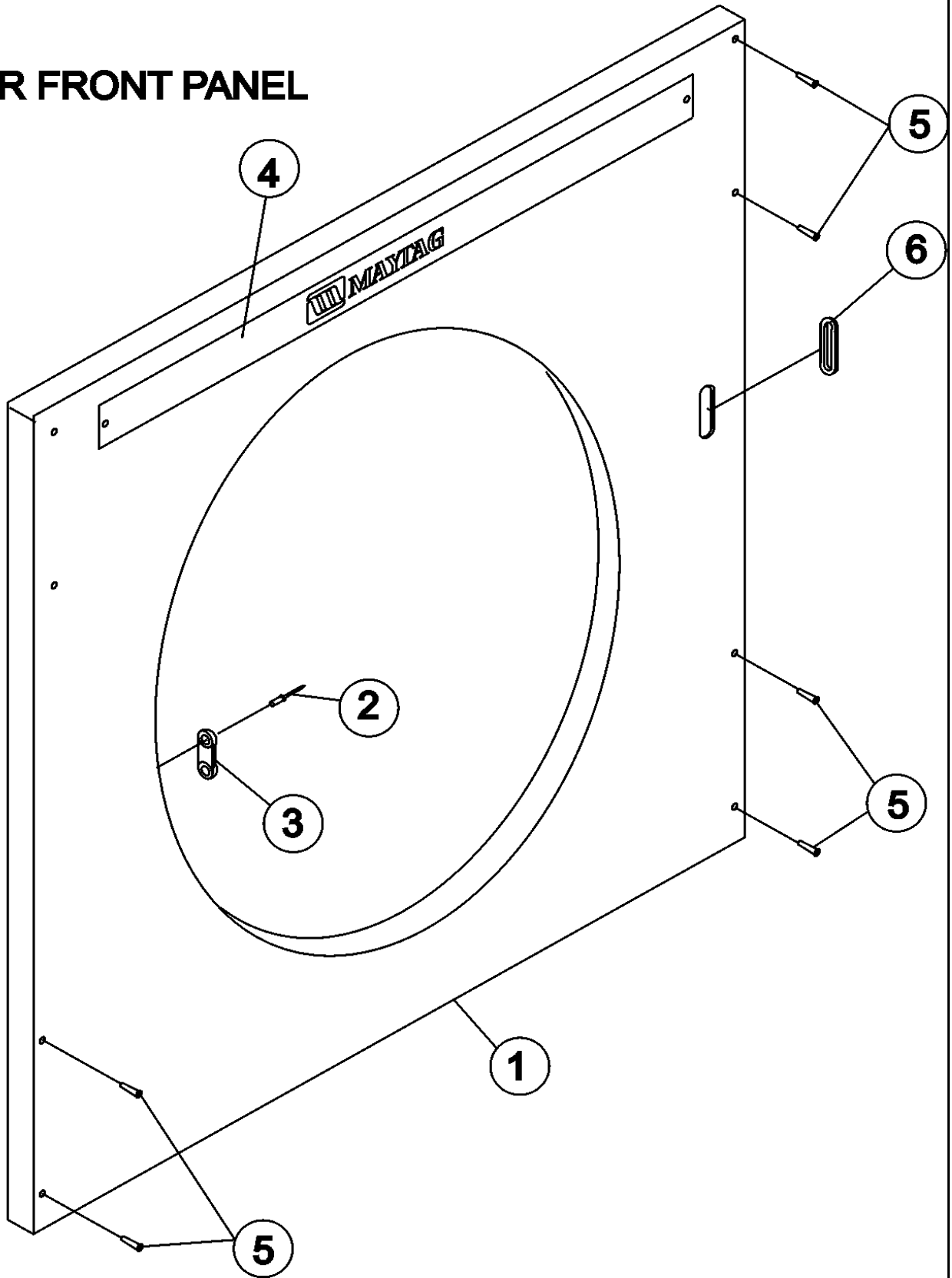
No.	Part No.	Description	Series	Qty
1	A824439	ELECTRIC BOX COMPLETE - 120 V	10	1
2	A150103	SCREW, MACHINE (#8-32 X 3/4"	10	2
3	A141403	TRANSFORMER (DSI 24 VAC)	10	1
4	A151001	NUT, PAL (#8-32)	10	2
5	A151000	PAL NUT (#6-32)	10	1
6	A136008	STRIP, FUSE BLOCK (ONLY)	10	1
7	A150002	SCREW, MACHINE (RD.HD.)	10	1
8	A136057	FUSE, 1/2-AMP SLO-BLO	10	1
9	A150002	SCREW, MACHINE (RD.HD.)	10	2
10	A120715	BLOCK, TERMINAL (30-POSITION)	10	1
11	A151000	PAL NUT (#6-32)	10	2
12	A150103	SCREW, MACHINE (#8-32 X 3/4"	10	4
13	A132451	CONTACTOR, TWO POLE	10	2
14	A151001	NUT, PAL (#8-32)	10	4
15	A824828	RC NETWORK W/CONNECTOR	10	2
16	A122626	CONNECTOR, SOCKET (15-PIN)	10	1
17	A122705	TERMINAL, SOCKET (ONLY)	10	9
18	A122704	TERMINAL, PIN (ONLY)	10	9
19	A122625	CONNECTOR (15 PIN...ONLY)	10	1
-	A137025	STRAIN RELIEF (6/15 POS.)	10	1
20	A122631	CONNECTOR, SOCKET (6 PIN)	10	1
21	A122705	TERMINAL, SOCKET (ONLY)	10	6
22	A122704	TERMINAL, PIN (ONLY)	10	6
-	A137025	STRAIN RELIEF (6/15 POS.)	10	1
23	A122630	CONNECTOR (6 PIN)	10	1
24	A150309	SCREW, CRIMPTITE	10	1
25	A121010	LUG, GROUND (L-70)	10	1
26	A122626	CONNECTOR, SOCKET (15-PIN)	10	1
27	A122705	TERMINAL, SOCKET (ONLY)	10	7
28	A122704	TERMINAL, PIN (ONLY)	10	7
29	A122625	CONNECTOR (15 PIN...ONLY)	10	1
-	A137025	STRAIN RELIEF (6/15 POS.)	10	1
30	A121494	TIE, WIRE (PUSH MOUNT)	10	10
-	A122801	TOOL, EXTRACTION (PIN/SOCKET)	10	1
-	A122800	TOOL, EXTRACTION	10	1

*Color Code (-)=Not Shown #=Series, Serial Prefix or Run No., N=Not Available

Section: UPPER FRONT PANEL ASSEMBLY

Model: MLG31PCAWW

UPPER FRONT PANEL



OD12-01

Section: UPPER FRONT PANEL ASSEMBLY

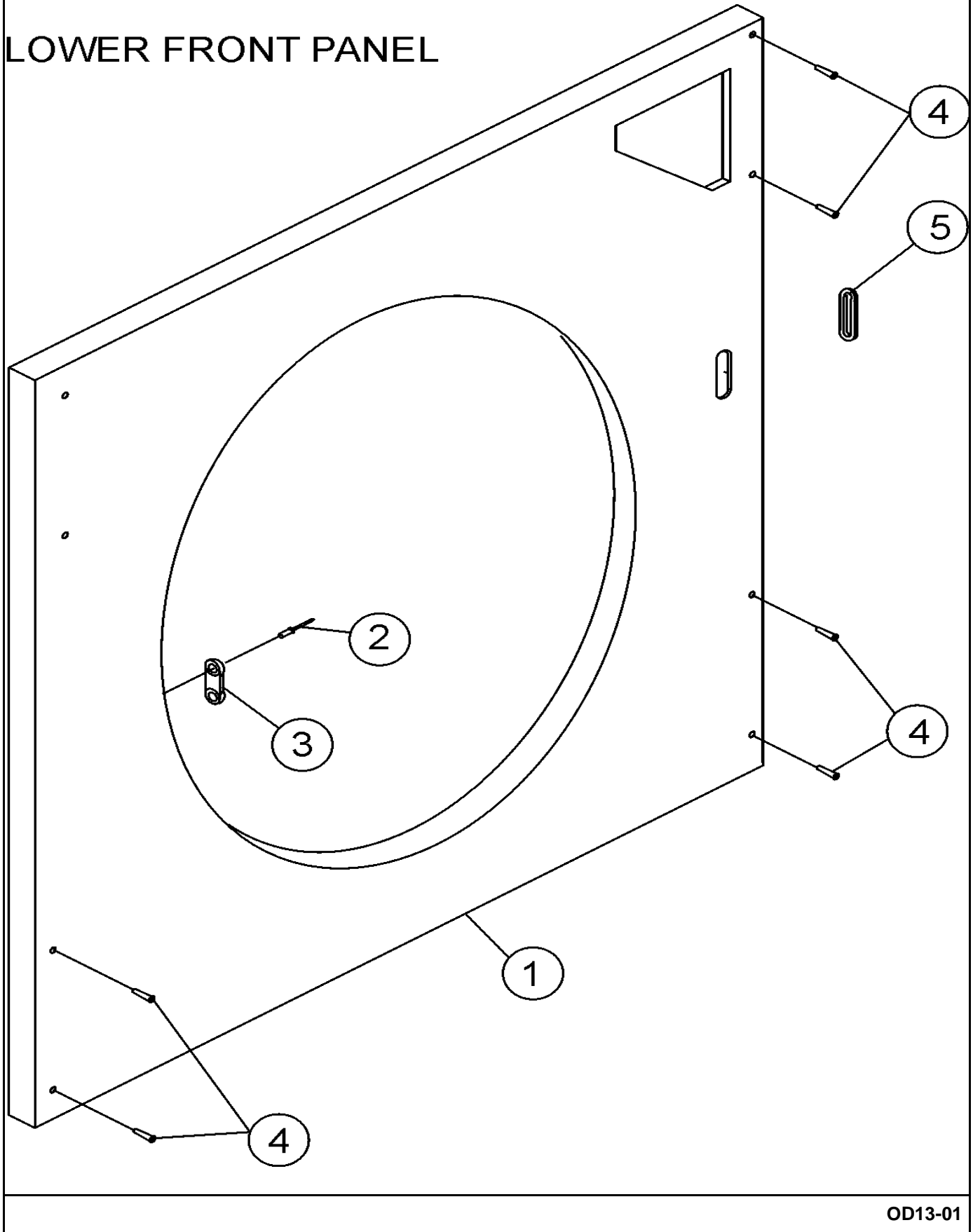
No.	Part No.	Description	Series	Qty
1	A883373	FRONT PANEL, UPPER WHR	10	1
2	A154215	RIVET, POP (5/32")	10	2
3	A881987	FRICTION DOOR LATCH KIT	10	1
4	A801095	MAYTAG LOGO TRIM	10	1
-	A400505	TORX BIT	10	1
5	A150313	SCREW	10	6
6	A121405	GROMMET, RUBBER	10	1

*Color Code (-)=Not Shown #=Series, Serial Prefix or Run No., N=Not Available

Section: LOWER FRONT PANEL ASSEMBLY

Model: MLG31PCAWW

LOWER FRONT PANEL



OD13-01

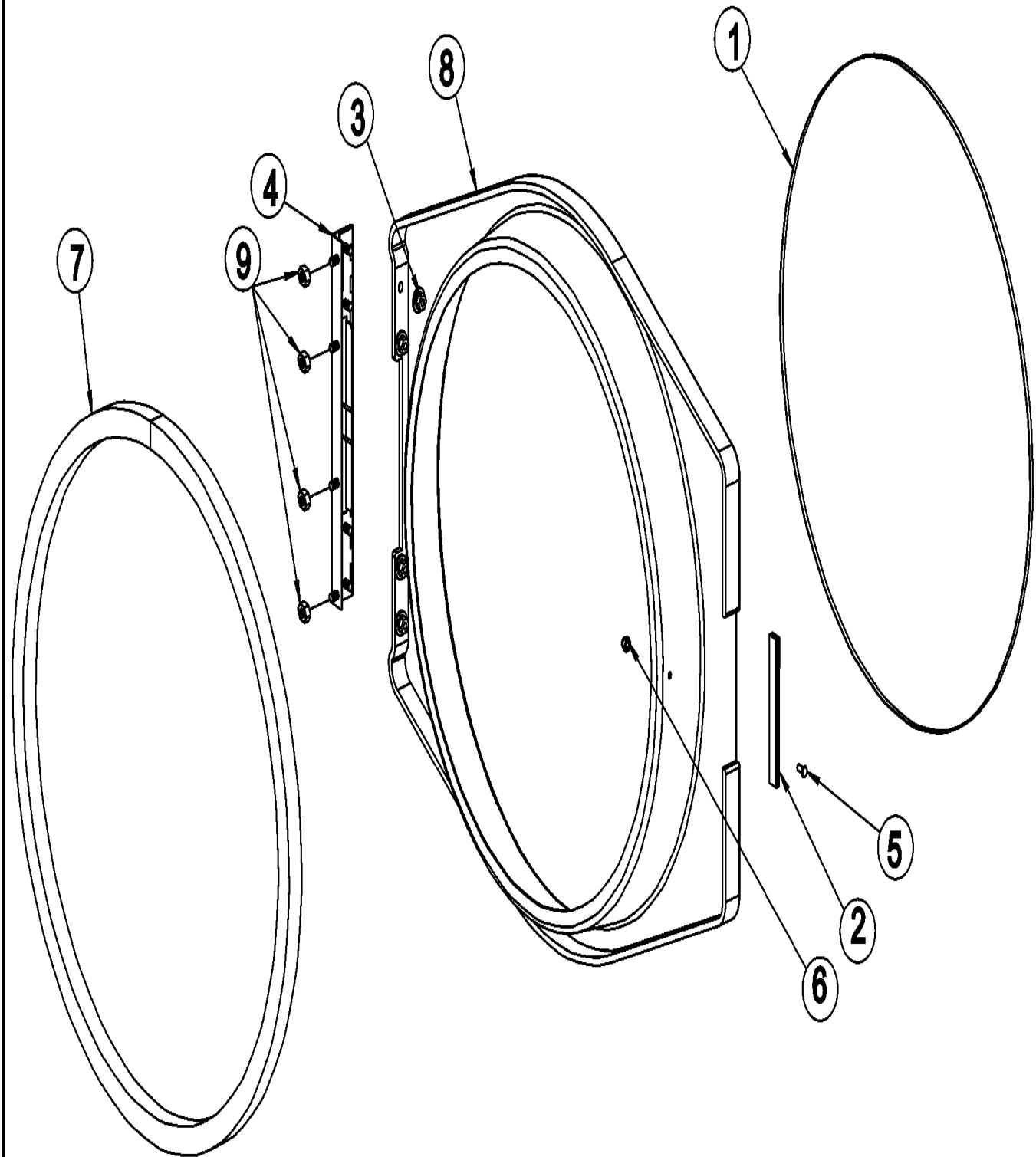
Section: LOWER FRONT PANEL ASSEMBLY

No.	Part No.	Description	Series	Qty
1	A883371	FRONT PANEL, LOWER WHT	10	1
2	A154215	RIVET, POP (5/32")	10	2
3	A881987	FRICTION DOOR LATCH KIT	10	1
-	A400505	TORX BIT	10	1
4	A150313	SCREW	10	9
5	A121405	GROMMET, RUBBER	10	1

*Color Code (-)=Not Shown #=Series, Serial Prefix or Run No., N=Not Available

Section: MAIN DOOR ASSEMBLY

Model: MLG31PCAWW



OD10-01

Section: MAIN DOOR ASSEMBLY

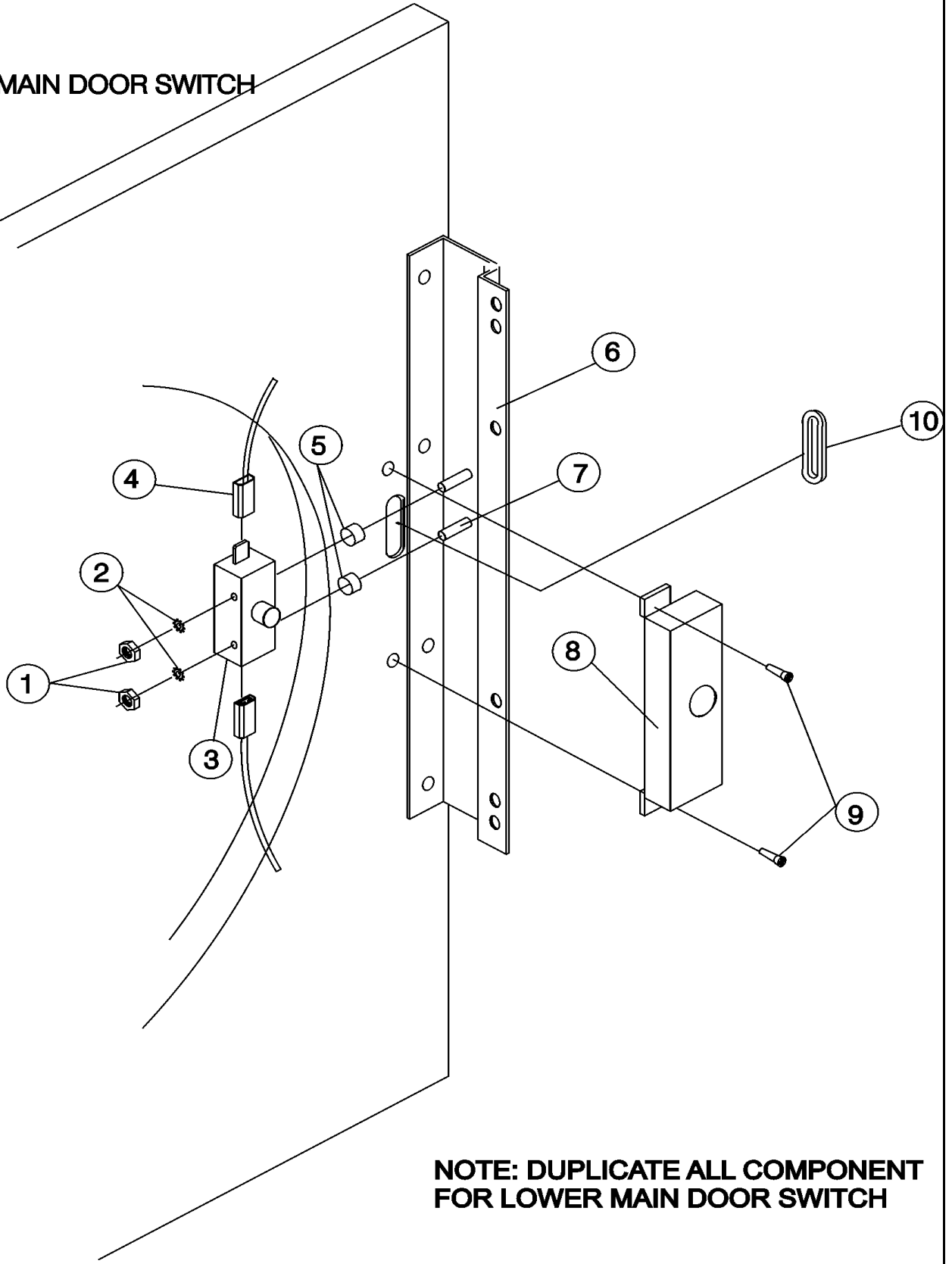
No.	Part No.	Description	Series	Qty
1	A182210	MAIN DOOR GLASS	10	1
2	A102328	HANDLE EDGE	10	1
3	A152014	NUT, FREE SPIN WASH (#20-1/4)	10	4
4	A801524	BLACK DOOR HINGE	10	1
5	A150120	LATCH SCREW	10	1
6	A151010	BLACK ACORN NUT	10	1
7	A102349	GASKET, DOOR	10	4
8	A882991	BLACK MAIN DOOR ASSY.	10	4
9	A152014	NUT, FREE SPIN WASH (#20-1/4)	10	4

*Color Code (-)=Not Shown #=Series, Serial Prefix or Run No., N=Not Available

Section: MAIN DOOR SWITCH ASSEMBLY

Model: MLG31PCAWW

UPPER MAIN DOOR SWITCH



NOTE: DUPLICATE ALL COMPONENT FOR LOWER MAIN DOOR SWITCH

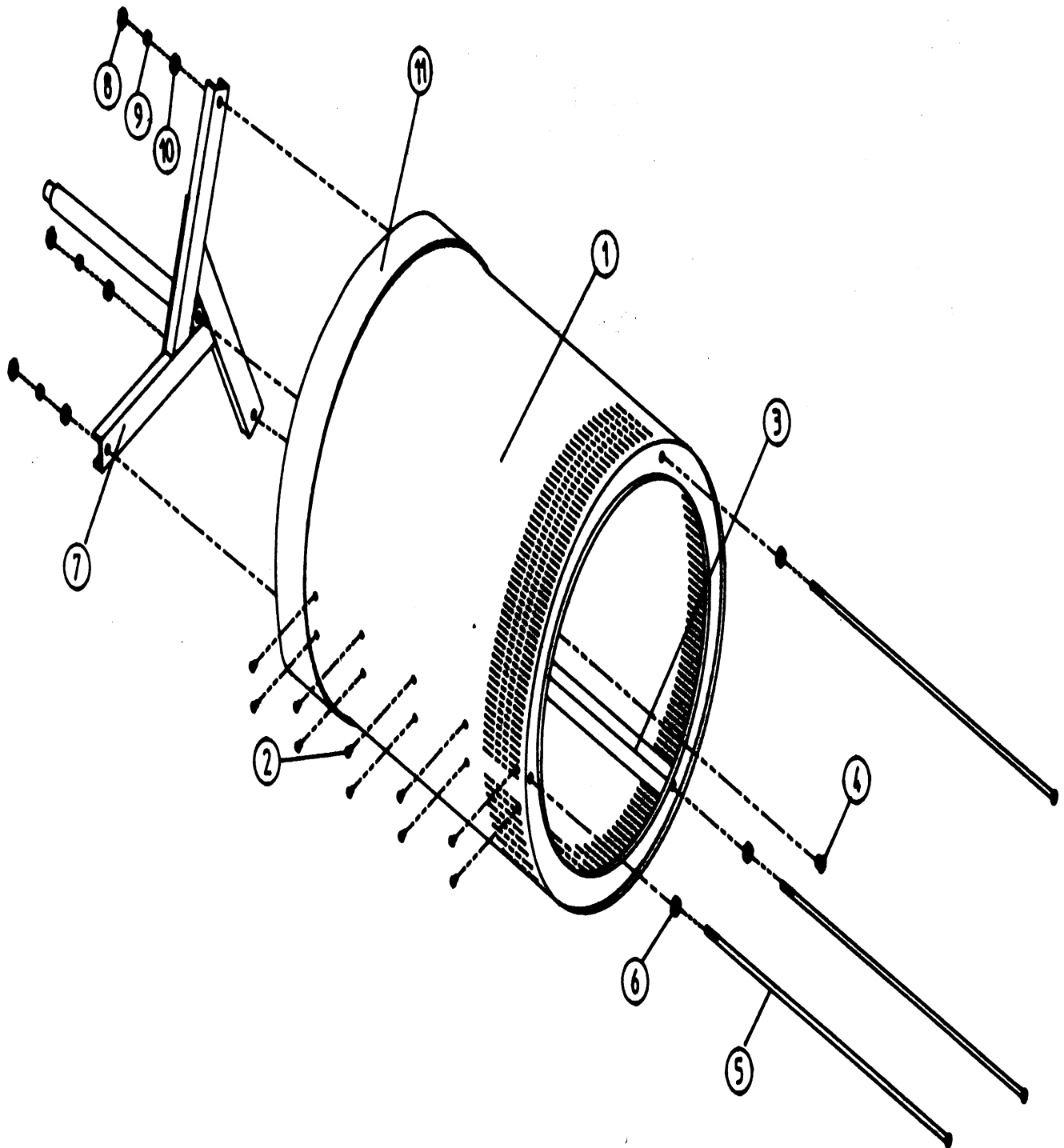
Section: MAIN DOOR SWITCH ASSEMBLY

No.	Part No.	Description	Series	Qty
1	A152013	NUT, HEX (#6-32)	10	2
2	A153008	WASHER, SPLIT LOCK (#6)	10	2
3	A137005	SWITCH, DOOR (SINGLE POLE)	10	1
4	A121028	TERMINAL, 1/4" INSUL. (FEMALE)	10	2
5	A154281	SPACER, NYLON (3/8")	10	2
6	A801524	BLACK DOOR HINGE	10	1
7	A153565	STUD, SELF-CLINCHING (#6-32X1)	10	2
8	A881246	HOUSING, DOOR SWITCH	10	1
9	A150201	SCREW, MACHINE (#10-32 X 1/4")	10	2
10	A121405	GROMMET, RUBBER	10	1

*Color Code (-)=Not Shown #=Series, Serial Prefix or Run No., N=Not Available

Section: TUMBLER SUPPORT ASSEMBLIES

Model: MLG31PCAWW



MA303C3

Section: TUMBLER SUPPORT ASSEMBLIES

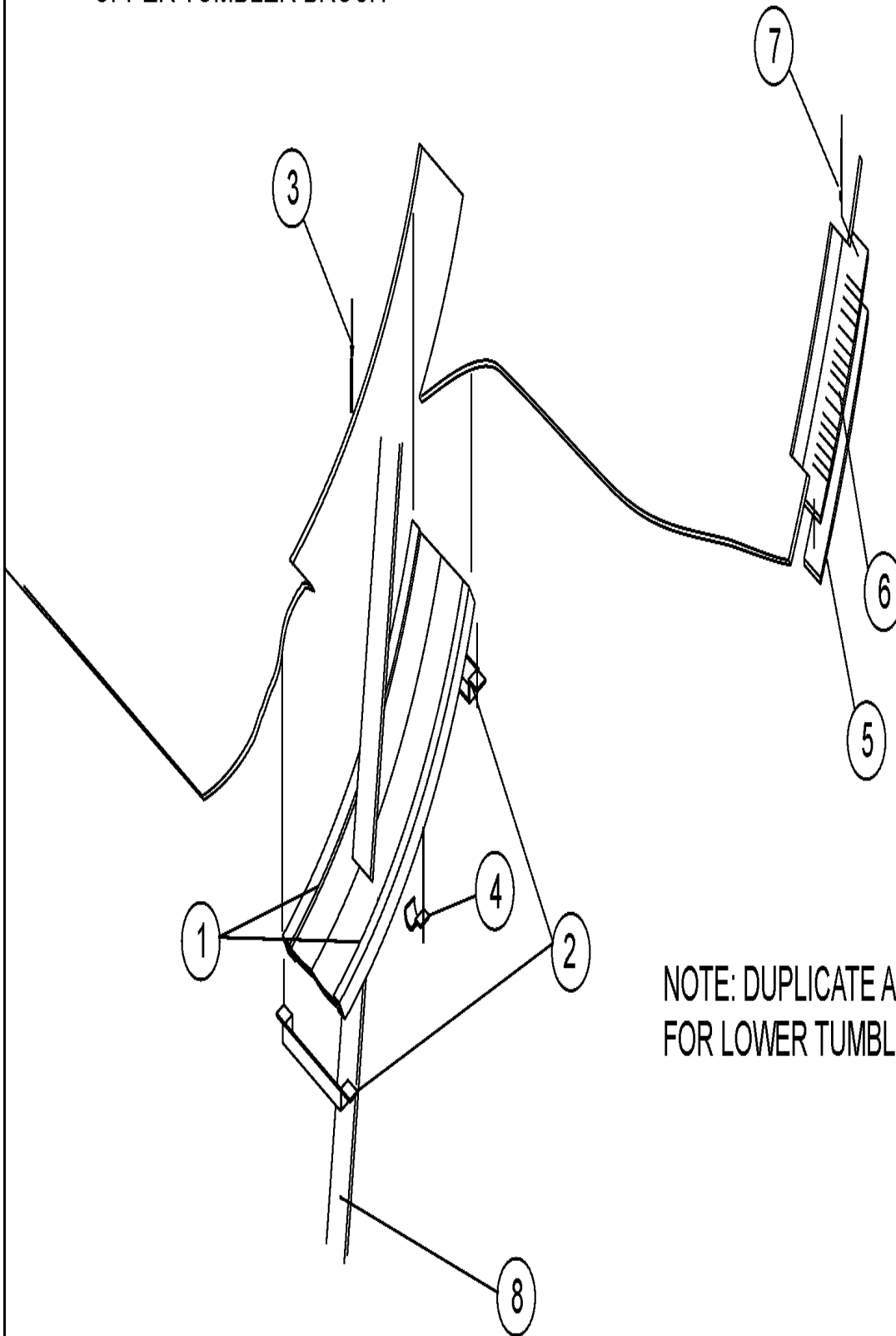
No.	Part No.	Description	Series	Qty
-	A800892	S.S. TUMBLER & SUPPORT ASSY.	10	1
-	A800722	TUMBLER	10	1
-	A800842	S.S.TUMBLER	10	1
1	A800832	TUMBLER & SUPPORT ASSY.	10	1
2	A150313	SCREW	10	30
3	A301315	RIB, SHORT TAPERED	10	2
-	A301415	S.S. TALL TUMBLER RIB	10	1
-	A301414	S.S. SHORT TUMBLER RIB	10	2
-	A301316	RIB, TALL TAPERED	10	1
4	A150500	SCREW, SOCKET BTTN. HD.	10	1
5	A100915	ROD, TIE (3/8"X 31")	10	3
6	A153004	WASHER, FLAT (3/8")	10	3
7	A850061	BASKET SUPPORT ONLY	10	1
8	A152005	NUT, HEX (#16-3/8")	10	3
9	A153005	WASHER, LOCK (3/8")	10	3
10	A153004	WASHER, FLAT (3/8")	10	3
-	A401010	ADHESIVE, FELT COLLAR #847	10	1
11	A116003	COLLAR, FELT	10	1
12	A100173	12 - RUB 95" BELT	10	1
13	A115992	FELT COLLAR	10	1
-	A401010	ADHESIVE, FELT COLLAR #847	10	1

*Color Code (-)=Not Shown #=Series, Serial Prefix or Run No., N=Not Available

Section: TUMBLER BRUSH ASSEMBLY

Model: MLG31PCAWW

UPPER TUMBLER BRUSH



NOTE: DUPLICATE ALL COMPONENTS
FOR LOWER TUMBLER BRUSH ASSEMBLY

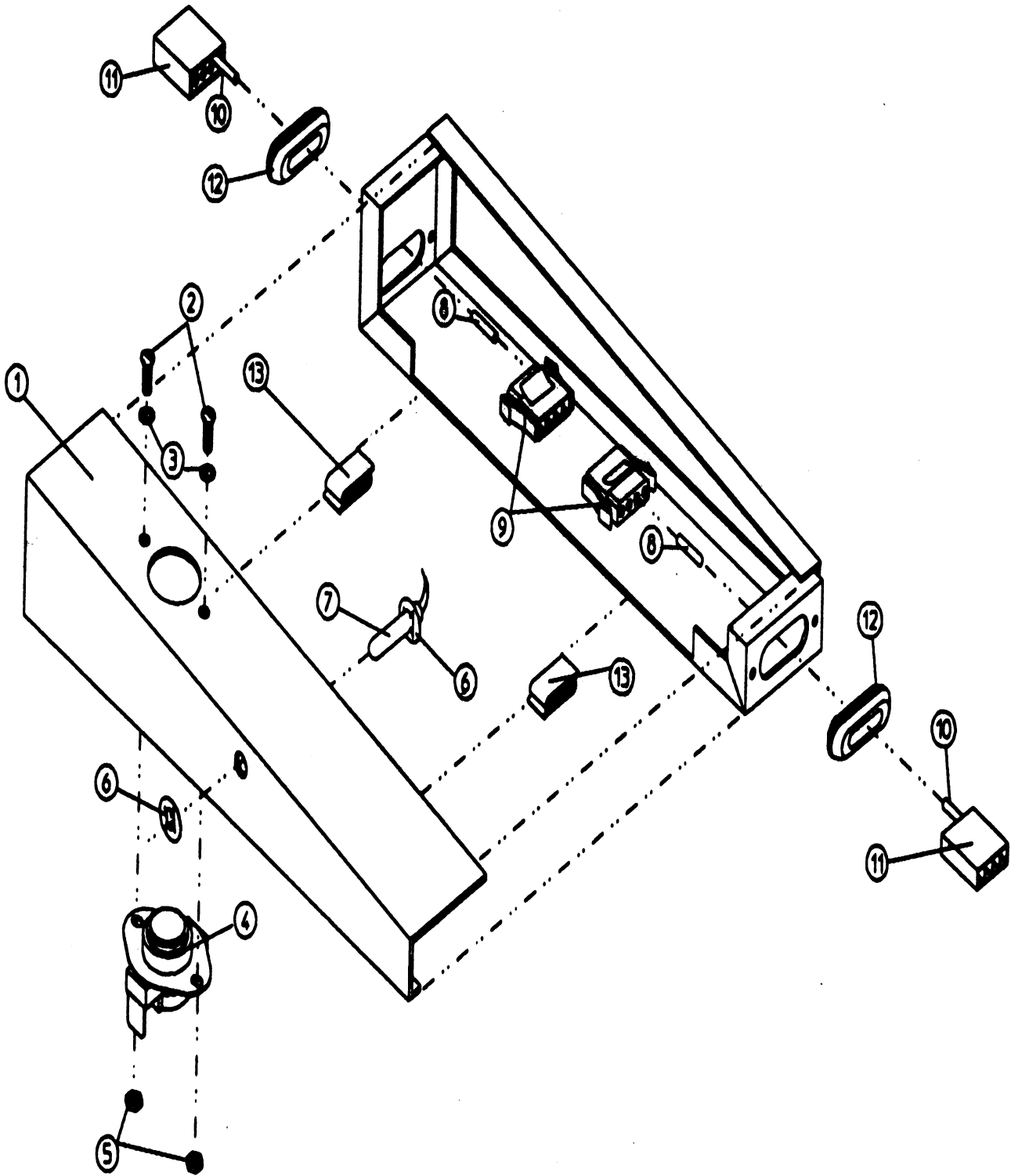
Section: TUMBLER BRUSH ASSEMBLY

No.	Part No.	Description	Series	Qty
1	A170198	DRIVE BELT SEALING BRUSH	10	2
2	A317656	SEALING BRUSH CLIP END	10	2
3	A154210	5/32" X 3/16" POP RIVET	10	6
4	A120117	3/8" EMT HANGER	10	2
5	A317651	WRAPPER GASKET STRIP	10	1
6	A102325	8 1/2"X1 1/2" WRAPPER GASKET	10	1
7	A154210	5/32" X 3/16" POP RIVET	10	2
8	A100173	12 - RUB 95" BELT	10	1

*Color Code (-)=Not Shown #=Series, Serial Prefix or Run No., N=Not Available

Section: TEMPERATURE SENSOR PROBE ASSEMBLY

Model: MLG31PCAWW



MA303B11

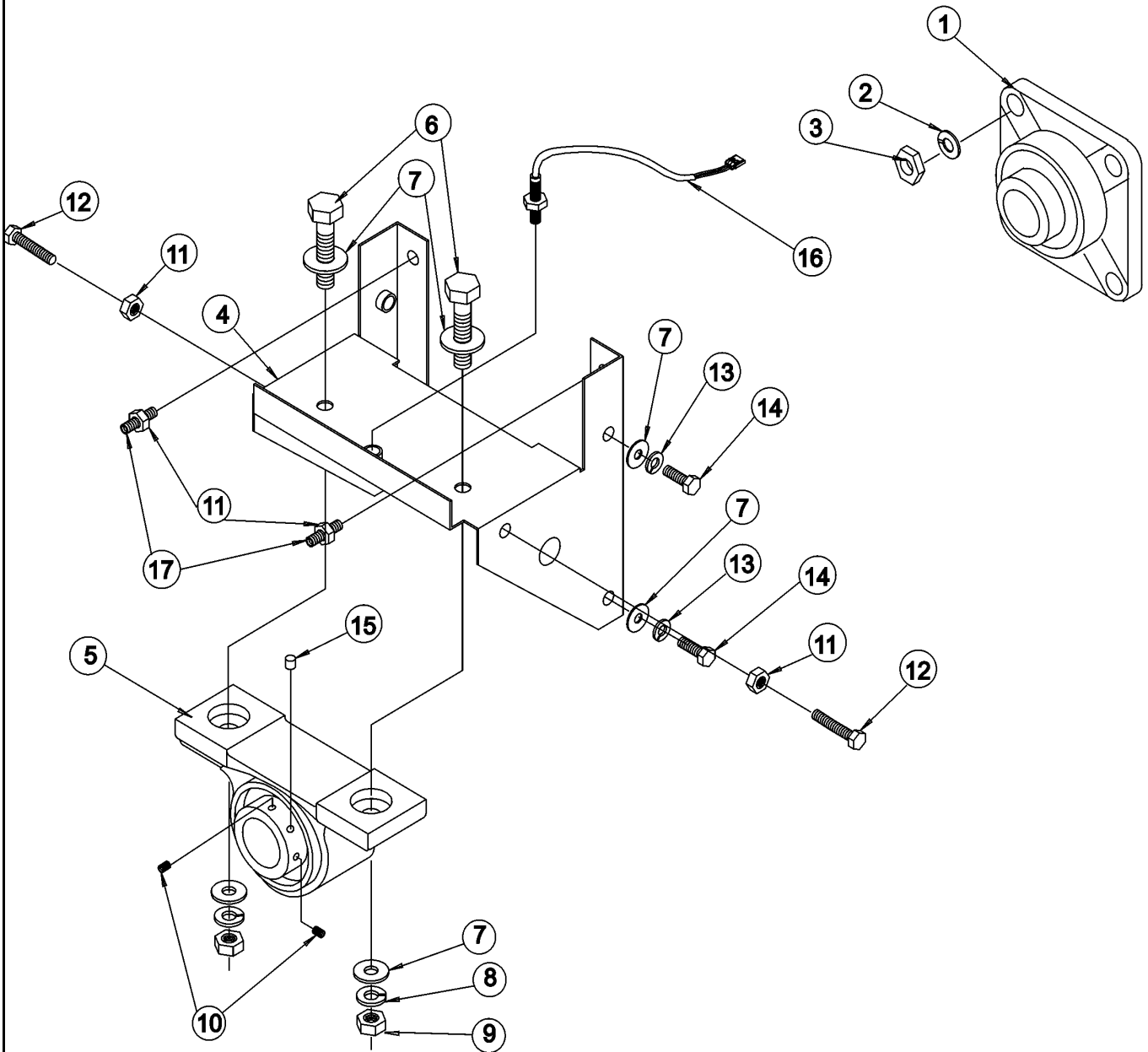
Section: TEMPERATURE SENSOR PROBE ASSEMBL

No.	Part No.	Description	Series	Qty
1	A801409	TEMP. SENSOR BRACKET ASSY COMP	10	1
2	A150000	SCREW, MACHINE (RD.HD. SLOT)	10	2
3	A153010	WASHER, STAR (#6)	10	2
4	A130106	170 DEGREE LARG THERMOSTAT	10	1
5	A152013	NUT, HEX (#6-32)	10	2
6	A154007	FASTENER, PUSH-ON (1/4")	10	2
7	A880111	PROBE, TEMPERATURE SENSOR	10	1
8	A122701	TERMINAL, SOCKET (ONLY)	10	8
9	A122605	CONNECTOR, 4-PIN SOCKET	10	2
10	A122700	TERMINAL, PIN	10	8
11	A122604	CONNECTOR (4 PIN)	10	2
-	A122801	TOOL, EXTRACTION (PIN/SOCKET)	10	1
12	A121405	GROMMET, RUBBER	10	2
13	A150301	SCREW, TEK (#8-18 X 7/16 PH)	10	2

*Color Code (-)=Not Shown #=Series, Serial Prefix or Run No., N=Not Available

Section: TUMBLER BEARING ASSEMBLY

Model: MLG31PCAWW



Section: TUMBLER BEARING ASSEMBLY

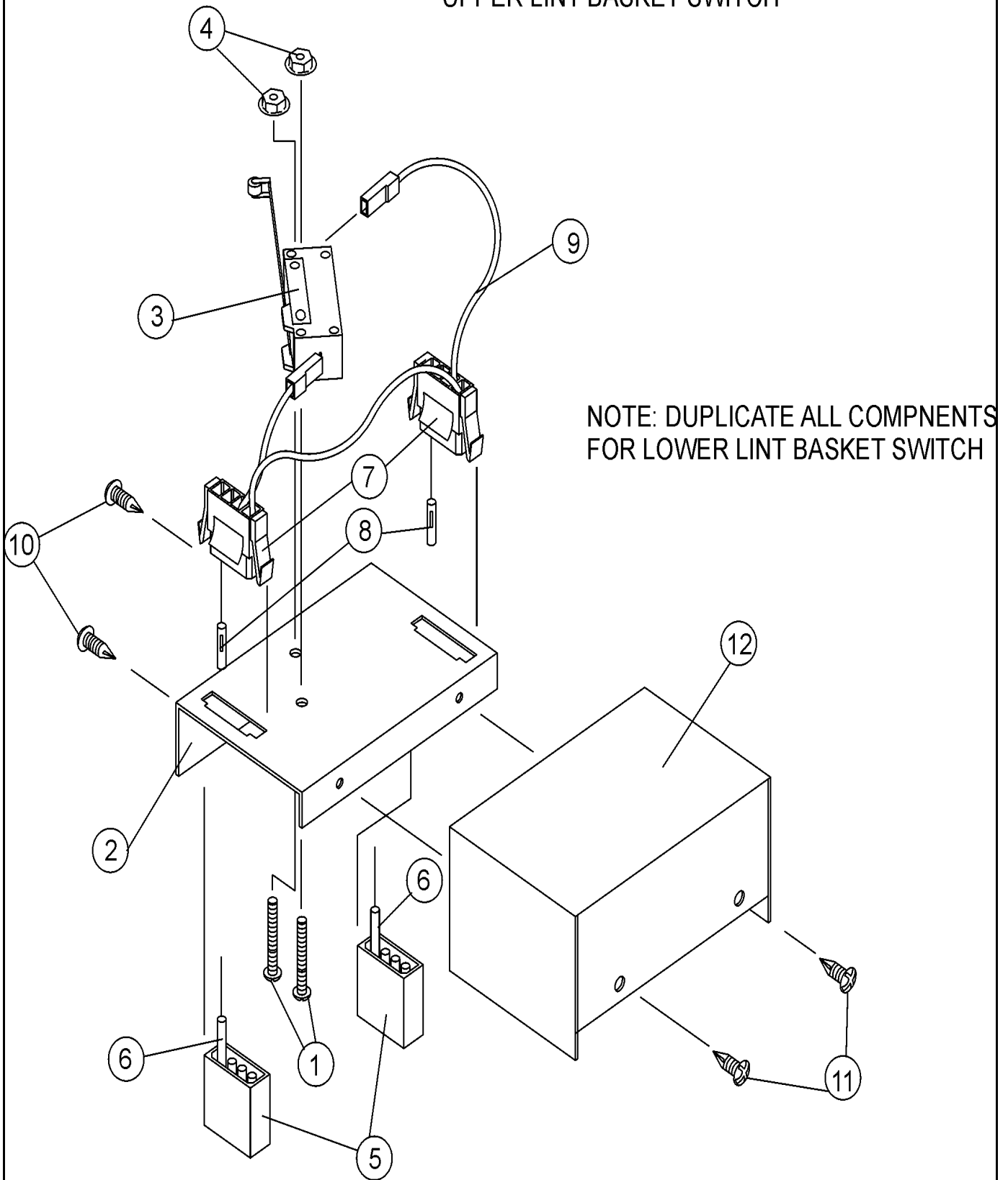
No.	Part No.	Description	Series	Qty
1	A880203	BEARING, FLANGE W/SET SCREW	10	1
2	A153005	WASHER, LOCK (3/8")	10	4
3	A152005	NUT, HEX (#16-3/8")	10	4
-	A882543	BEARING SUPPORT ONLY	10	1
4	A882545	BEARING ASSEMBLY COMPLETE	10	1
5	A880779	BEARING, PILLOW BLOCK W/SENSOR	10	1
6	A150601	BOLT, MACHINE	10	2
7	A153004	WASHER, FLAT (3/8")	10	8
8	A153005	WASHER, LOCK (3/8")	10	2
9	A152005	NUT, HEX (#16-3/8")	10	2
10	A154326	SCREW, CONE POINT SET	10	2
11	A152004	NUT, HEX (#18-5/16)	10	4
12	A150621	BOLT, MACHINE (#18-5/16X1 1/2)	10	2
13	A153002	WASHER, LOCK (5/16")	10	4
14	A150501	BOLT, MACHINE (#18-5/16 X 3/4)	10	4
15	A102120	SINTERED 8 MAGNET	10	1
16	A824807	SENSOR ASSY. (ROTATIONAL)	10	1
17	A150610	SCREW, SET (#18-5/16" X 1 1/2)	10	2

*Color Code (-)=Not Shown #=Series, Serial Prefix or Run No., N=Not Available

Section: LINT DRAWER SWITCH ASSEMBLY

Model: MLG31PCAWW

UPPER LINT BASKET SWITCH



OD16-04

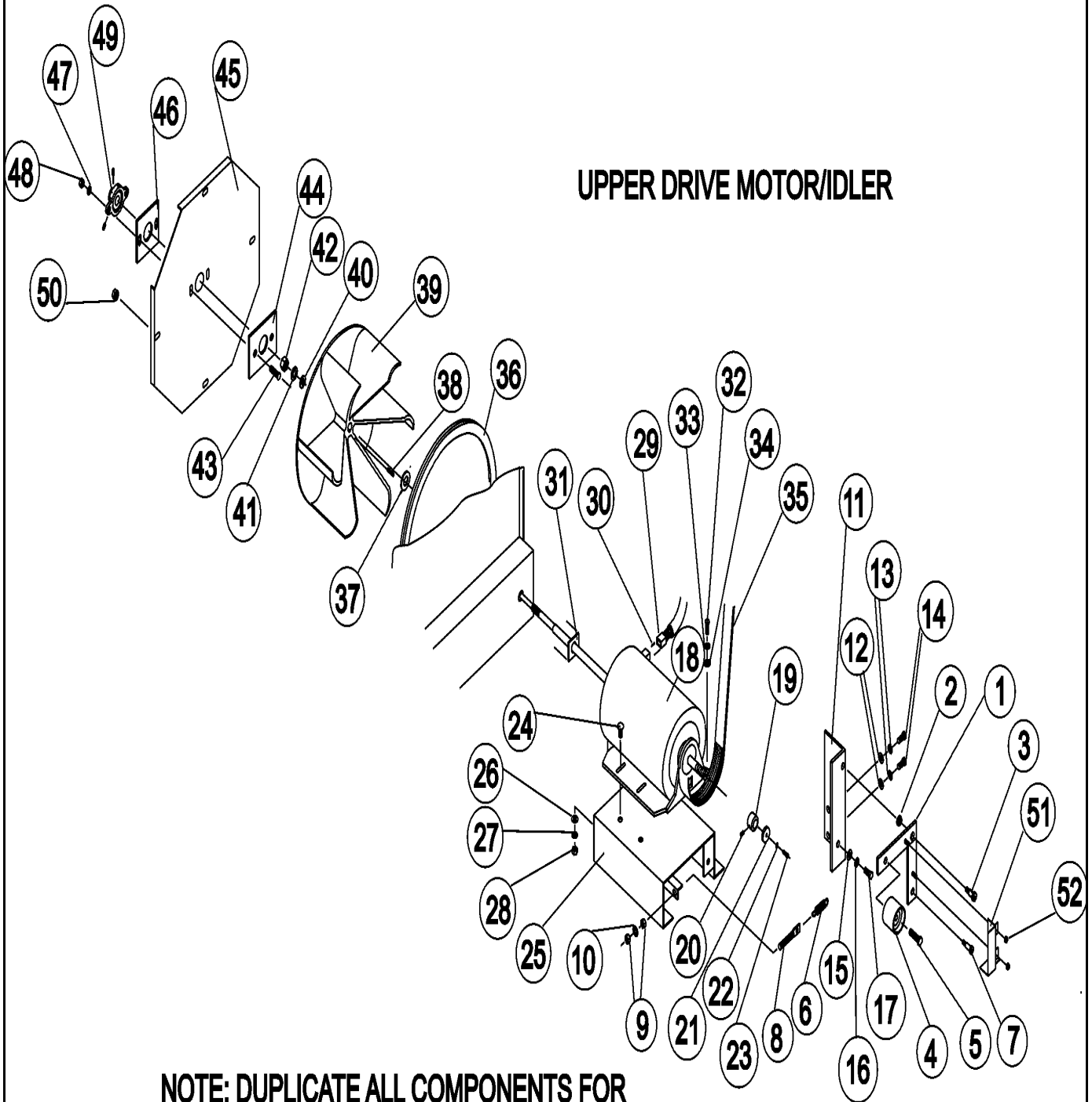
Section: LINT DRAWER SWITCH ASSEMBLY

No.	Part No.	Description	Series	Qty
1	A150006	6-32X7/8" RND HD MACHINE SCREW	10	2
2	A802816	LINET DRAWER SWITCH ASSY COMP	10	1
-	A307204	LINT SWITCH MOUNTING BRACKET	10	1
3	A136990	LINT DRAWER SAFETY SWITCH	10	1
4	A152013	NUT, HEX (#6-32)	10	2
5	A122604	CONNECTOR (4 PIN)	10	2
6	A122700	TERMINAL, PIN	10	4
7	A122605	CONNECTOR, 4-PIN SOCKET	10	2
-	A122801	TOOL, EXTRACTION (PIN/SOCKET)	10	1
8	A122701	TERMINAL, SOCKET (ONLY)	10	4
-	A824849	LINT SWITCH TOP HARNESS	10	1
9	A824848	LINT SWITCH BOTTOM HARNESS	10	1
10	A150309	SCREW, CRIMPTITE	10	2
11	A150309	SCREW, CRIMPTITE	10	2
12	A307203	LINT SWITCH COVER	10	1

*Color Code (-)=Not Shown #=Series, Serial Prefix or Run No., N=Not Available

Section: MOTOR/IDLER ASSEMBLIES

Model: MLG31PCAWW



UPPER DRIVE MOTOR/IDLER

NOTE: DUPLICATE ALL COMPONENTS FOR LOWER DRIVE MOTOR/IDLER ASSEMBLY

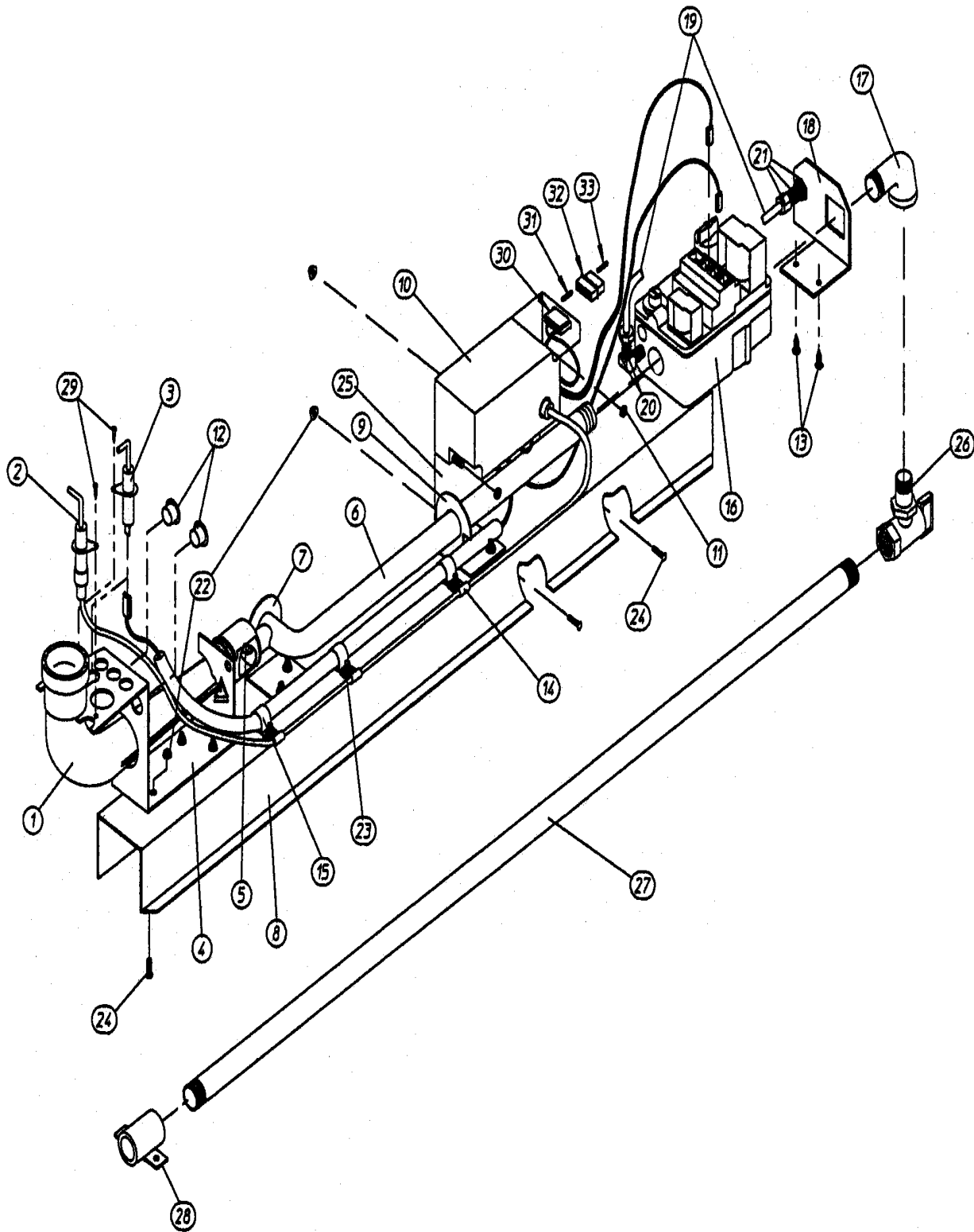
Section: MOTOR/IDLER ASSEMBLIES

No.	Part No.	Description	Series	Qty
-	A801019	UPPER & LOWER IDLER ARM ASSY	10	1
1	A882910	UPPER & LOWER IDLER ARM	10	1
2	A121350	12/32 X 3/8" I.D. BRONZE	10	1
3	A154277	5/16 X 3/8" SHOULDER BOLT	10	1
4	A100250	BACK SIDE IDLER ASSEMBLY	10	1
5	A150600	BOLT, MACHINE (#16-3/8 X 1 1/2)	10	1
6	A157010	1-7/8" EXTENSION SPRING	10	1
7	A154276	1/4-20X5/8" SHOULDER BOLT	10	1
8	A154275	3/8-16X3 3/8" SPADE BOLT	10	1
9	A152005	NUT, HEX (#16-3/8")	10	2
10	A153005	WASHER, LOCK (3/8")	10	1
11	A850135	IDLER ANGLE	10	1
12	A153001	WASHER, FLAT (5/16")	10	2
13	A153002	WASHER, LOCK (5/16")	10	2
14	A150501	BOLT, MACHINE (#18-5/16 X 3/4)	10	2
15	A153001	WASHER, FLAT (5/16")	10	2
16	A153002	WASHER, LOCK (5/16")	10	2
17	A150501	BOLT, MACHINE (#18-5/16 X 3/4)	10	2
18	A100064	NON-VENT MOTOR W' PLUG 60HZ	10	1
19	A101097	REAR MOTOR SHAFT BUSHING	10	1
20	A154327	1/4-20X3/8" SOCKET SETSCREW	10	1
21	A101096	FRONT MOTOR SHAFT BUSHING	10	1
22	A153024	#10 LOCK WASHER	10	1
23	A150216	#10 LEFT HAND RND HEAD SCREW	10	1
24	A154279	5/16-18X3/4" CARRIAGE BOLT	10	4
-	A803918	MOTOR MOUNT ASSEMBLY COMPLETE	10	1
25	A800917	MOTOR MOUNT	10	1
26	A153001	WASHER, FLAT (5/16")	10	4
27	A153002	WASHER, LOCK (5/16")	10	4
28	A152004	NUT, HEX (#18-5/16)	10	4
29	A137030	HOUSING (8 PIN)	10	1
-	A122801	TOOL, EXTRACTION (PIN/SOCKET)	10	1
30	A122701	TERMINAL, SOCKET (ONLY)	10	8
31	A116010	FELT MOTOR SEAL	10	1
32	A150501	BOLT, MACHINE (#18-5/16 X 3/4)	10	4
33	A153002	WASHER, LOCK (5/16")	10	4
34	A153001	WASHER, FLAT (5/16")	10	4
35	A100173	12 - RUB 95" BELT	10	1
36	A117604	TAPE, FOAM (SOLD IN FEET)	10	3
37	A153054	MOTOR WASHER (50HZ MODELS)	10	1
38	A100705	KEY (3/16" X 3/16" X 1-3/8")	10	1
39	A802831	12-1/2"IMPELLOR WITH 3/4" BORE	10	1
40	A153051	WASHER, FLAT (3/4" S.A.E.)	10	1
41	A153040	3/4" LOCK WASHER (60 HZ MDLS)	10	1
42	A152025	3/4-16 JAM NUT (60 HZ MDLS)	10	1
43	A153525	STUD, SELF CLINCHING	10	2
44	A850132	BEARING BACKUP PLATE	10	1
-	A852104	BEARING BACKUP PLATE ASSY.	10	1
45	A880885	IMPELLOR COVER	10	1
46	A116011	BEARING FELT SEAL	10	1
47	A153007	WASHER, LOCK (1/4")	10	2
48	A152002	HEX NUT (#20-1/4")	10	2
49	A880225	1/2" FLANGE BEARING	10	1
50	A152014	NUT, FREE SPIN WASH (#20-1/4)	10	4
51	A314423	BELT GUARD	10	1
52	A154277	5/16 X 3/8" SHOULDER BOLT	10	2

*Color Code (-)=Not Shown #=Series, Serial Prefix or Run No., N=Not Available

Section: GAS TRAIN ASSEMBLY

Model: MLG31PCAWW



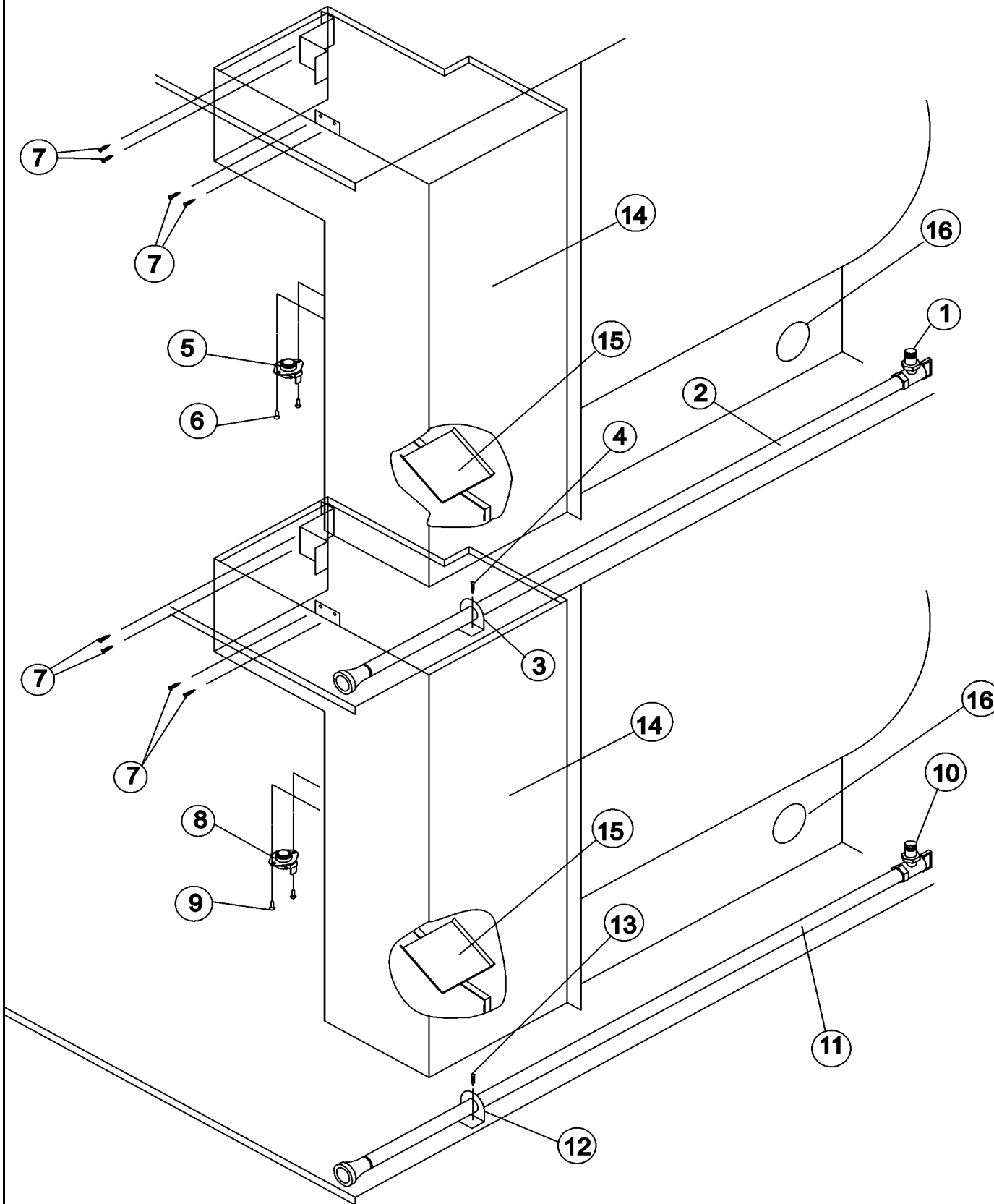
Section: GAS TRAIN ASSEMBLY

No.	Part No.	Description	Series	Qty
1	A141130	TUBE, BURNER W/SHUTTER	10	1
2	A128917	IGNITER W/LEAD	10	1
3	A128918	SENSOR, FLAME	10	1
4	A318009	BRACKET, BURNER TUBE (PSE)	10	1
-	A140810	ORIFICE, BURNER (LP #42) Note: CONSULT FACTORY FOR EVALATIONS OVER 2,000 FEET	10	1
5	A140856	ORIFICE, BURNER (NAT #23) Note: CONSULT FACTORY FOR ELEVATIONS OVER 2,000 FEET	10	1
6	A141225	MANIFOLD, SINGLE PORT	10	1
7	A318700	BRACKET, PIPE (BENT)	10	1
-	A319522	VALVE, GAS TRAIN ASSEMBLY	10	1
8	A882721	DIRECT SPARK IGNITION NAT Note: ORIFICE NOT INCLUDED ORDER SEPARATELY	10	1
8	A882722	DIRECT SPARK IGNITION LP GAS Note: ORIFICE NOT INCLUDED ORDER SEPARATELY	10	1
9	A318711	BRACKET, NOTCHED PIPE	10	1
10	A128937	MODULE (DSI)	25	1
10	A128935	MODULE (DSI)	10	1
-	A815724	ASSY, BRACKET	25	1
11	A152013	NUT, HEX (#6-32)	10	2
12	A121300	BUSHING, OPEN/CLOSED	10	2
13	A150301	SCREW, TEK (#8-18 X 7/16 PH)	10	2
14	A121491	CLAMP (5/8")	10	3
15	A121492	CLAMP, NYLON (3/16")	10	3
16	A128927	VALVE, REDUNDANT (1/2" 24VAC)	10	1
-	A880960	VALVE, GAS 1/2" 24 VAC, (LP)	10	1
17	A142506	ELBOW, STREET (1/2" X 1/2")	10	1
18	A318712	BRACKET, GAS VALVE PIPE	10	1
19	A882157	1/4" ALUMINUM (12" LENGTH)	10	1
20	A143203	ADAPTER, LINE (90 DEG.)	10	1
21	A143259	FITTING, BULKHEAD	10	1
22	A151001	NUT, PAL (#8-32)	10	8
23	A152001	NUT, HEX (#8-32)	10	3
24	A153528	STUD, SELF CLINCHING	10	9
25	A815974	MOUNTING BRACKET, IGNITION DSI	10	1
26	A881367	UNION, SHUT-OFF (1/2")	10	1
27	A142805	PIPE, 1/2" X 34 1/2"	10	1
28	A142934	1/2" COUPLING WITH MOUNTING TAB	10	1
29	A150315	SCREW (#6 X 3/8" PH HD)	10	2
-	A122801	TOOL, EXTRACTION (PIN/SOCKET)	10	1
30	A122605	CONNECTOR, 4-PIN SOCKET	10	1
31	A122701	TERMINAL, SOCKET (ONLY)	10	2
32	A122604	CONNECTOR (4 PIN)	10	1
33	A122700	TERMINAL, PIN	10	2
-	A883278	L.P. CONVERSION KIT Note: CONSULT FACTORY FOR ELEVATIONS OVER 2,000 FEET	10	1

*Color Code (-)=Not Shown #=Series, Serial Prefix or Run No., N=Not Available

Section: BURNER BOX/PIPING ASSEMBLIES

Model: MLG31PCAWW



OD29-01

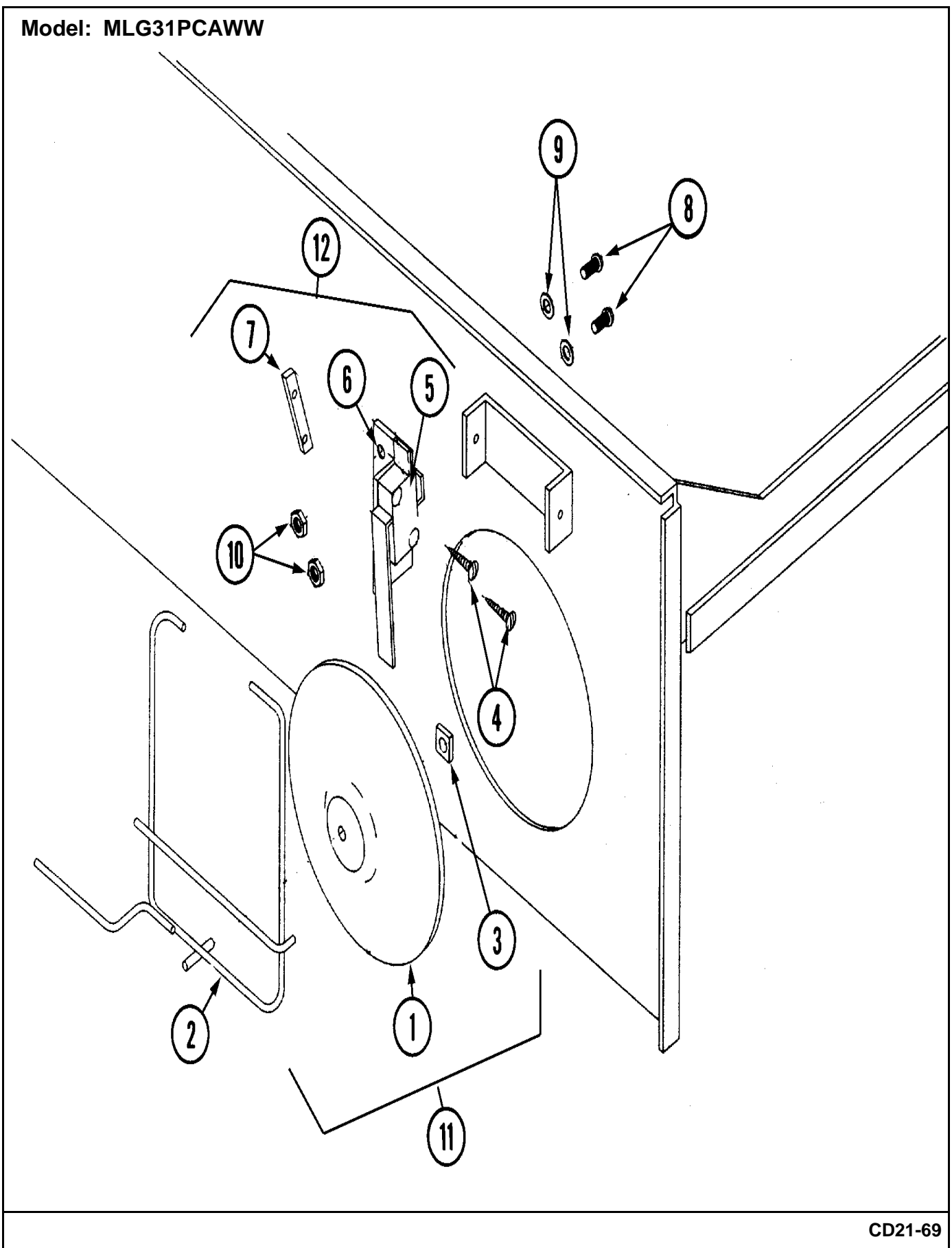
Section: BURNER BOX/PIPING ASSEMBLIES

No.	Part No.	Description	Series	Qty
1	A881367	UNION, SHUT-OFF (1/2")	10	1
-	A142809	PIPE (1/2" X 29 1/8")	10	1
2	A142805	PIPE, 1/2" X 34 1/2"	10	1
3	A318700	BRACKET, PIPE (BENT)	10	1
4	A150300	SCREW (#10-32 X 1/2" PH ROUND)	10	2
5	A130403	THERMOSTAT (330 DEGREE)	10	1
6	A150300	SCREW (#10-32 X 1/2" PH ROUND)	10	2
7	A150309	SCREW, CRIMPTITE	10	8
8	A130403	THERMOSTAT (330 DEGREE)	10	1
9	A150300	SCREW (#10-32 X 1/2" PH ROUND)	10	2
10	A881367	UNION, SHUT-OFF (1/2")	10	1
11	A142805	PIPE, 1/2" X 34 1/2"	10	1
12	A318700	BRACKET, PIPE (BENT)	10	1
13	A150300	SCREW (#10-32 X 1/2" PH ROUND)	10	2
14	A850854	BURNER BOX W/O FLAME	10	2
15	A850912	SPREADER ASSY.	10	2
16	A802805	SAIL SWITCH ROD & DAMPER ASSY.	10	1

*Color Code (-)=Not Shown #=Series, Serial Prefix or Run No., N=Not Available

Section: SAIL SWITCH ASSEMBLY

Model: MLG31PCAWW



CD21-69

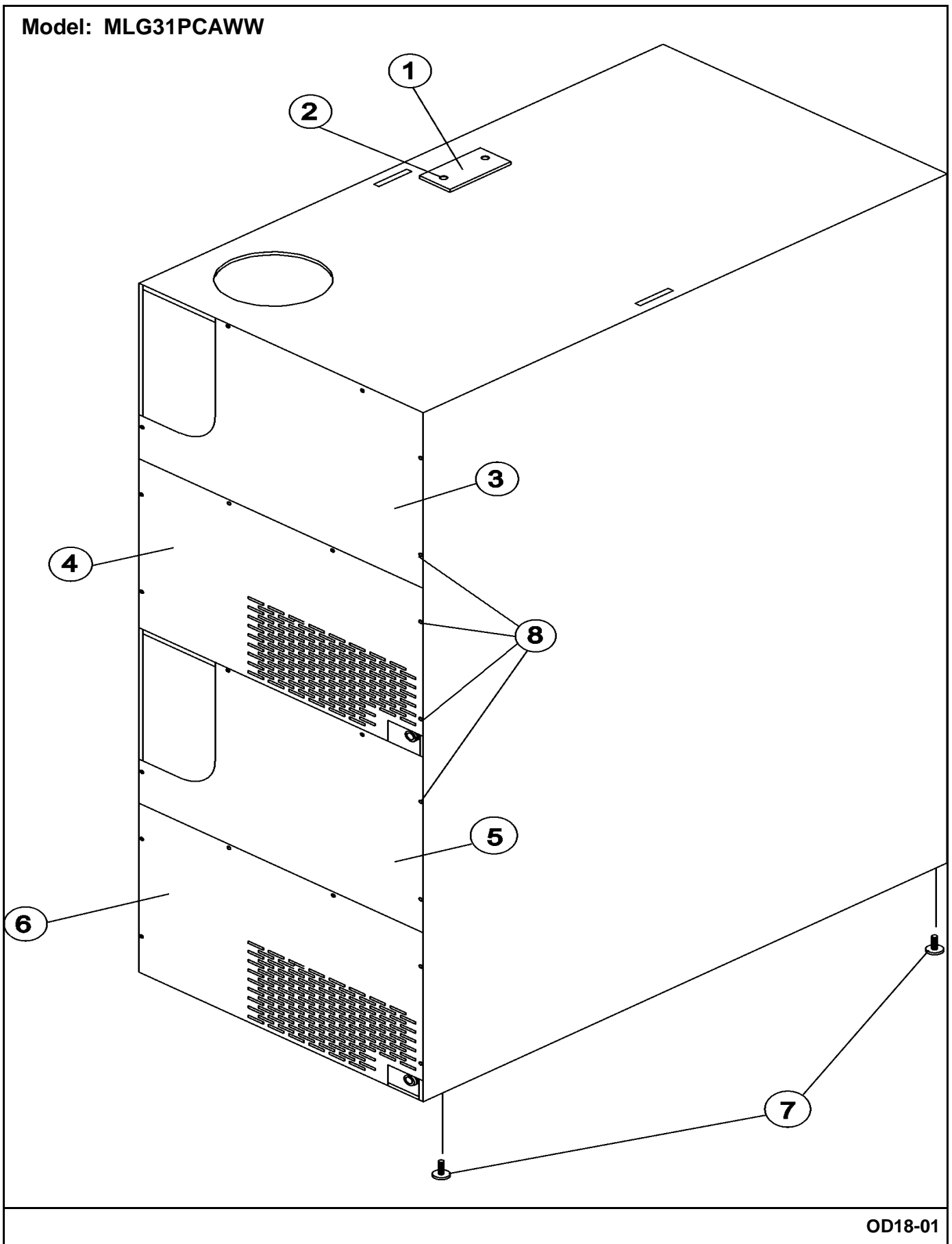
Section: SAIL SWITCH ASSEMBLY

No.	Part No.	Description	Series	Qty
-	A802805	SAIL SWITCH ROD & DAMPER ASSY.	10	1
1	A319206	DAMPER, SAIL SWITCH	10	1
2	A105550	ROD, SAIL SWITCH	10	1
3	A154002	FASTENER, PUSH-ON (1/8")	10	1
4	A150303	SCREW (#4 X 3/4")	10	2
-	A802807	SAIL SWITCH BRACKET ASSY.	10	1
5	A122200	SWITCH, SAIL	10	1
6	A319208	BRACKET, SAIL SWITCH	10	1
7	A154004	NUT, TWIN SPEED	10	1
8	A150001	SCREW, MACHINE (#6-32 X 1/2")	10	2
9	A153010	WASHER, STAR (#6)	10	2
10	A152000	NUT, HEX (#6-32)	10	2

*Color Code (-)=Not Shown #=Series, Serial Prefix or Run No., N=Not Available

Section: BACK GUARD ASSEMBLIES

Model: MLG31PCAWW



OD18-01

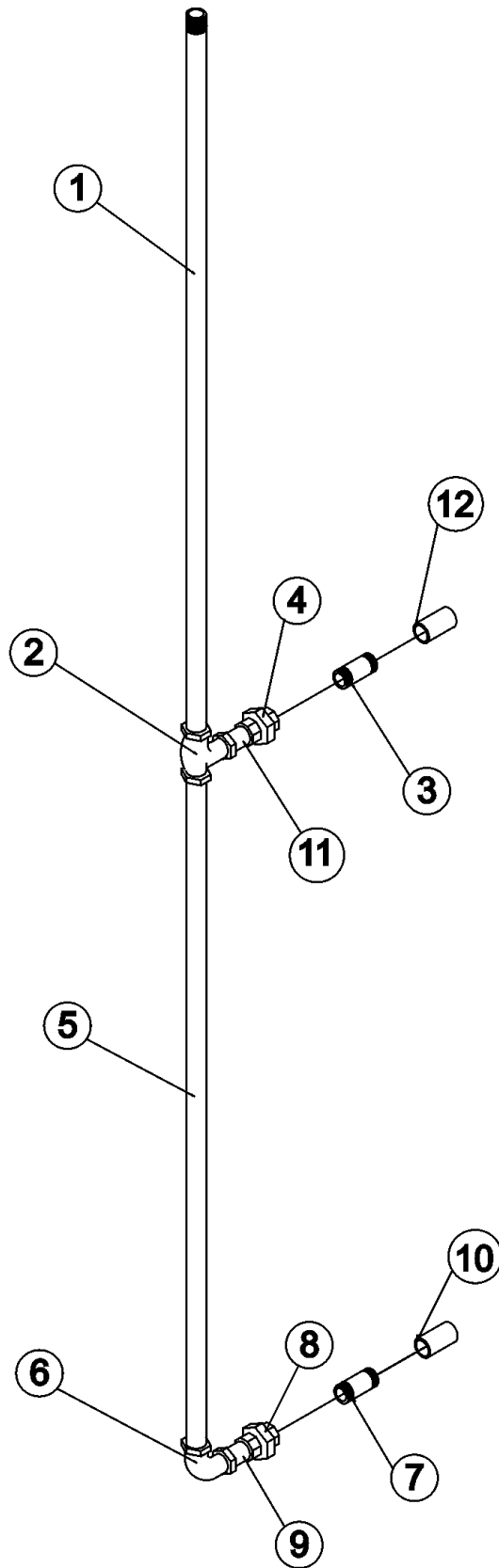
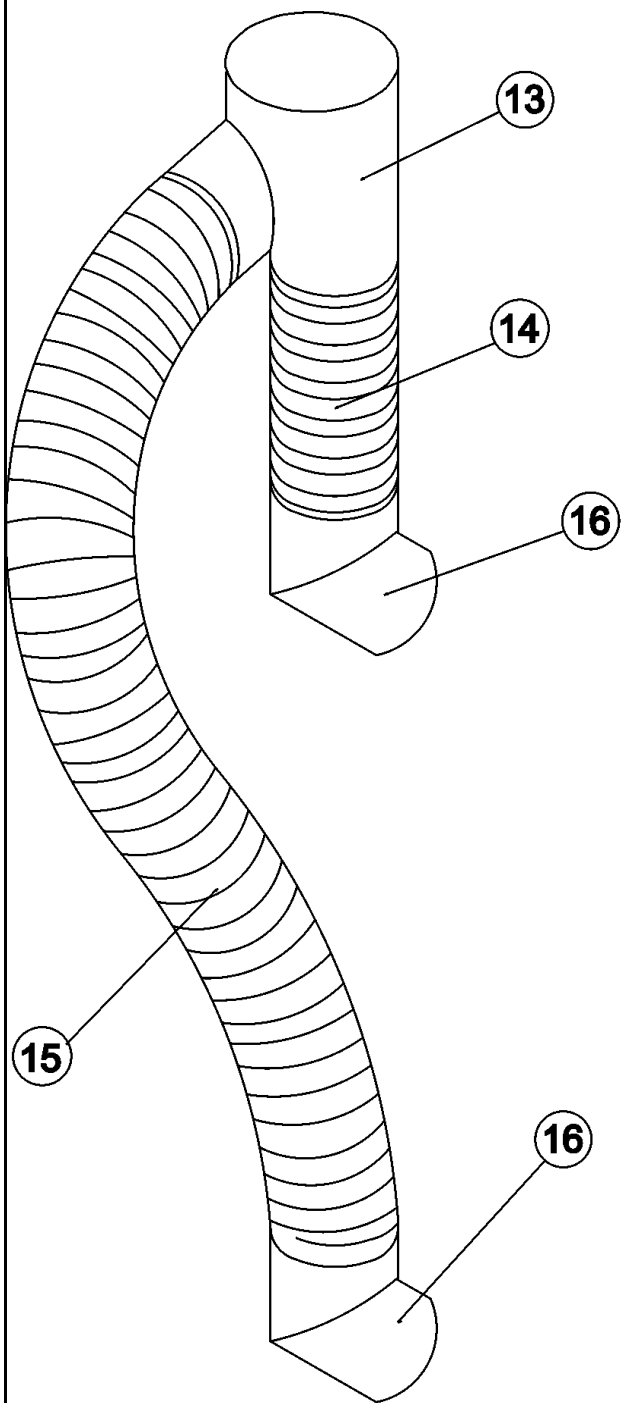
Section: BACK GUARD ASSEMBLIES

No.	Part No.	Description	Series	Qty
1	A315014	PLATE, COVER (TOP ELEC. BOX)	10	1
2	A150309	SCREW, CRIMPTITE	10	2
3	A314404	TOP & BOTTOM UPPER GUARD	10	1
4	A314405	TOP & BOTTOM LOWER GUARD	10	1
5	A314404	TOP & BOTTOM UPPER GUARD	10	1
6	A314405	TOP & BOTTOM LOWER GUARD	10	1
7	A103500	LEG, LEVELING (ADJUSTABLE)	10	4
8	A150309	SCREW, CRIMPTITE	10	22

*Color Code (-)=Not Shown #=Series, Serial Prefix or Run No., N=Not Available

Section: OPTIONAL PIPING & DUCTING KITS

Model: MLG31PCAWW



OD21-01

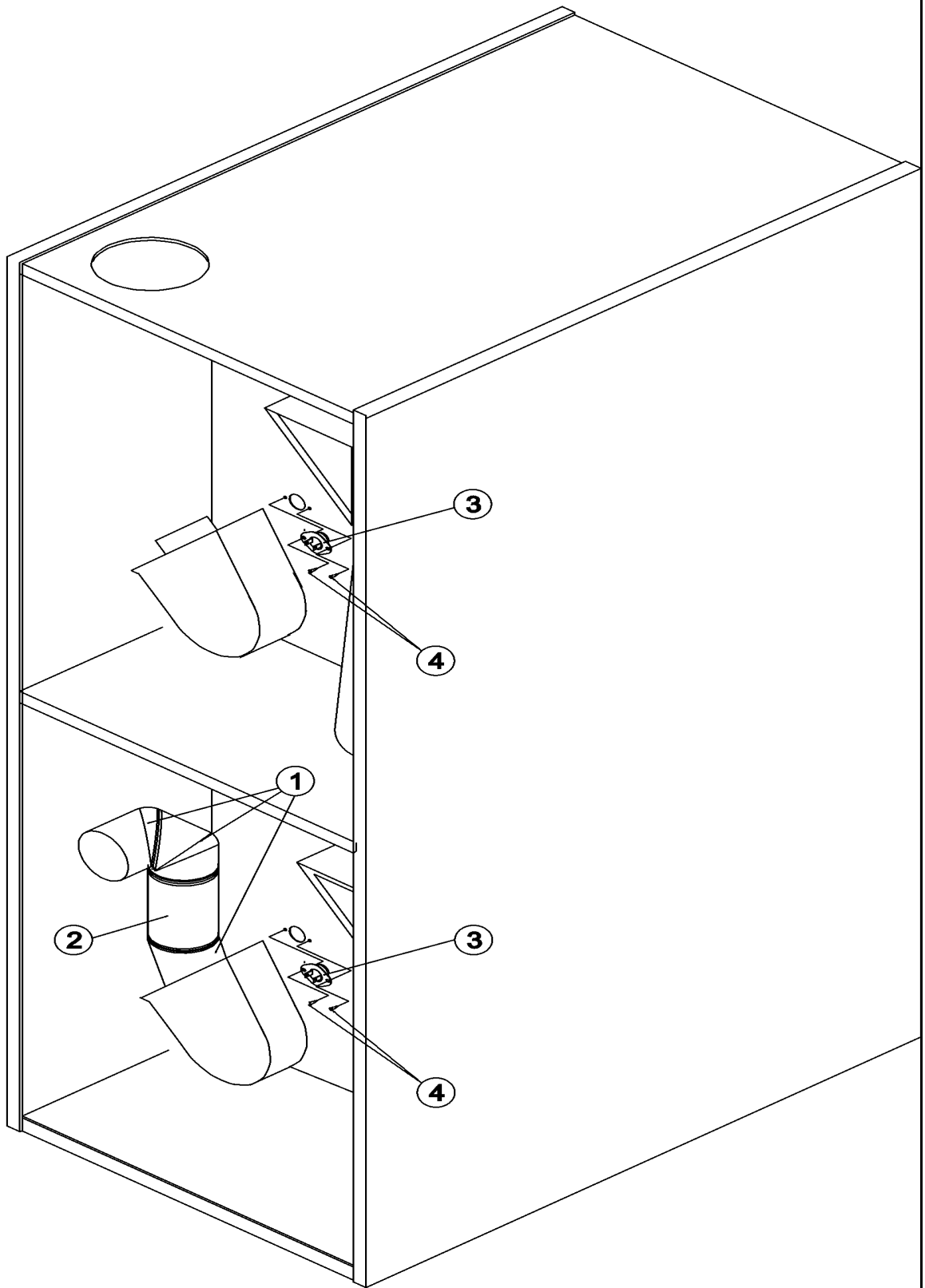
Section: OPTIONAL PIPING & DUCTING KITS

No.	Part No.	Description	Series	Qty
1	A142821	PIPE (3/4" X 36")	10	1
-	A880128	GAS PIPING KIT	10	1
2	A142505	3/4" X 1/2" X 1/2" TEE	10	1
3	A142814	1/2" X 2 1/2" MIPPLE	10	1
4	A142600	UNION (1/2")	10	1
5	A142824	1/2" X 37-1/2" PIPE	10	1
6	A142500	1/2" X 90 DEGREE ELBOW	10	1
7	A142814	1/2" X 2 1/2" MIPPLE	10	1
8	A142600	UNION (1/2")	10	1
9	A142700	1/2" CLOSE NIPPLE	10	1
10	A143001	1/2" COUPLING	10	1
11	A142700	1/2" CLOSE NIPPLE	10	1
12	A143001	1/2" COUPLING	10	1
13	A143600	10"X6"X6" WYE BRANCH DUCT	10	1
-	A882035	EXHAUST DUCTING KIT	10	1
14	A143519	FLEX EXHAUST DUCT, 4 FOOT	10	1
15	A143509	FLEX EXHAUST DUCT, 8 FOOT	10	1
16	A143536	ELBOW (6" ROUND X 45 DEG.)	10	2
-	A117505	TAPE, ALUMINUM DUCT Note: INCLUDED WITH EXHAUST DUCTING KIT - A882035	10	12
-	A150300	SCREW (#10-32 X 1/2" PH ROUND Note: INCLUDED WITH EXHAUST DUCTING KIT - A882035	10	12

*Color Code (-)=Not Shown #=Series, Serial Prefix or Run No., N=Not Available

Section: BOTTOM DUCT ASSY/CABINET HI-LIMIT

Model: MLG31PCAWW



OD32-01

Section: BOTTOM DUCT ASSY/CABINET HI-LIMIT

No.	Part No.	Description	Series	Qty
1	A143536	ELBOW (6" ROUND X 45 DEG.)	10	2
-	A117505	TAPE, ALUMINUM DUCT	10	5
2	A143545	6" ROUND X 6" LONG DUCT	10	1
3	A130107	THERMOSTAT, LARGE (160 DEG.)	10	2
4	A150301	SCREW, TEK (#8-18 X 7/16 PH	10	4

*Color Code (-)=Not Shown #=Series, Serial Prefix or Run No., N=Not Available

Section: ADDITIONAL PARTS AVAILABLE

Model: MLG31PCAWW

No image available

NOIMAGE

Section: ADDITIONAL PARTS AVAILABLE

No.	Part No.	Description	Series	Qty
1	A100405	BEARING PULLER	10	1
2	A112039	GROUND LABEL	10	1
3	A112119	MICRO CONTROLLER USER'S MANUAL	10	1
4	A112530	COIN LABEL	10	1
5	A114001	"CAUTION" LABEL	10	1
6	A114006	"WARNING LABEL	10	1
7	A120802	CONNECTOR, RED BUTT	10	1
8	A120903	NUT, WIRE (CRIMP-ON)	10	1
9	A121014	TERMINAL, INSULATED (1/4 FEM.)	10	1
10	A121499	TIE, HARNESS (4")	10	1
11	A121500	TIE, HARNESS (7")	10	1
12	A121503	HARNESS TIE MOUNTING CLIP	10	1
13	A112804	MANOMETER-MEASURE GAS PRESSURE	10	1
14	A112280	LABEL (CLEAN LINT SCREEN)	10	1
15	A404516	TOUCH-UP PAINT (BSQ)	10	1
16	A410001	WRENCH, ALLEN (1/2")	10	1
17	A450426	DIRECT SPARK IGNITION MANUAL	10	1
18	A880884	TUMBLER PULLER ASSEMBLY	10	1
19	A881299	LOCTITE ADHESIVE KIT	10	1

*Color Code (-)=Not Shown #=Series, Serial Prefix or Run No., N=Not Available

