

DRYER

Repair Parts List

MODEL NUMBER
MLG33PDSWW

When requesting service or ordering parts, always provide the following information:

- Product Type
- Part Number
- Model Number
- Part Description

MAYTAG®

©2005 Maytag Services

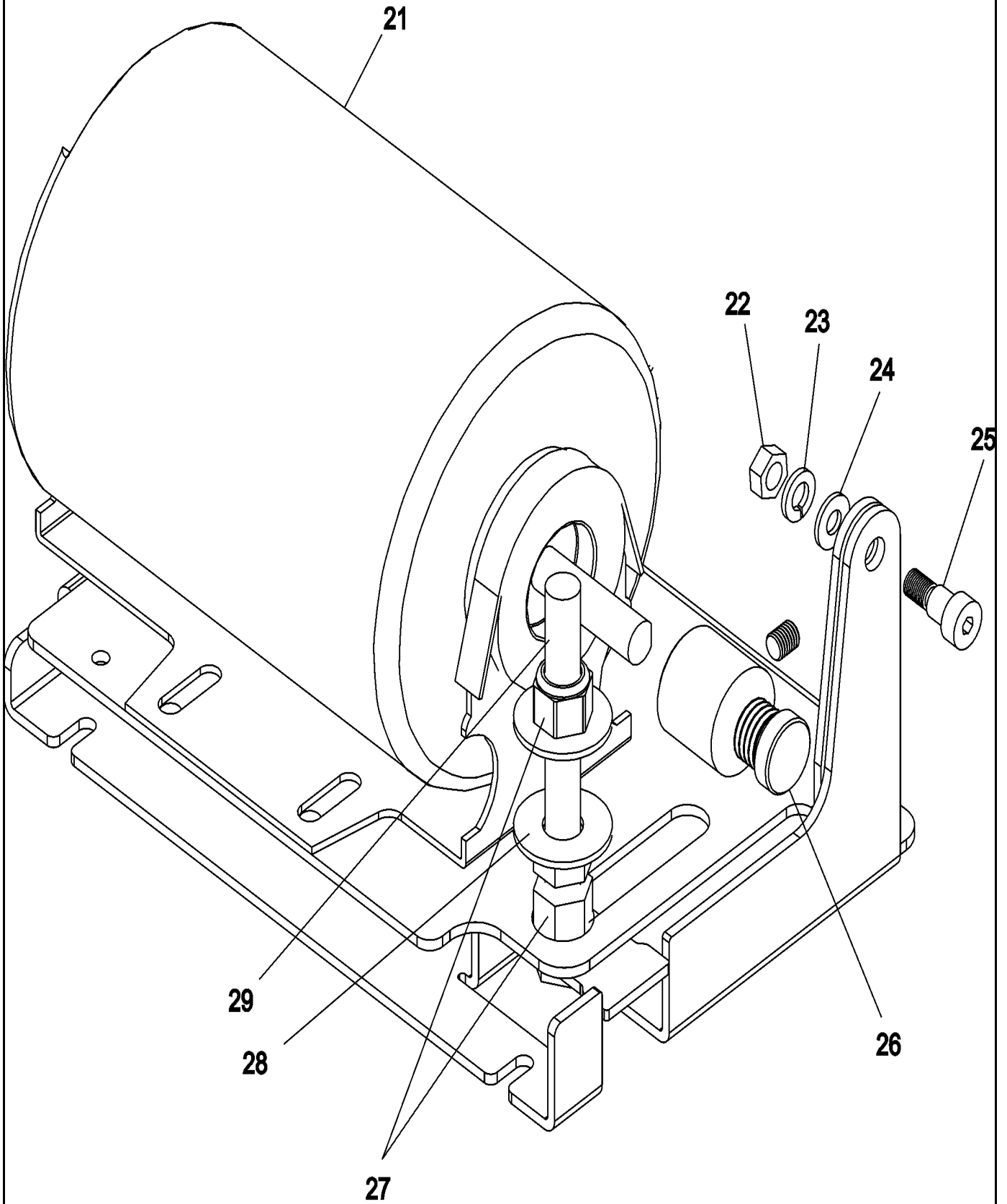
Section: CABINET

No.	Part No.	Description	Series	Qty
1	A818683	BACK GUARD ASY PRI12-7-05	10	1
1	A818925	BACK GUARD ASY AFT12-7-05	10	1
2	A819619	PANEL, LH ASY AFT12-7-05	10	1
2	A818679	PANEL, LH ASY PRI12-7-05	10	1
3	A819621	PANEL, RH ASY AFT12-7-05	10	1
3	A818678	PANEL, RH ASY PRI12-7-05	10	1
4	A818690	PANEL, OUTER TOP ASY	10	1
5	A150445	CAP SCREW, BLACK	10	2
6	A153072	WASHER, SPRING	10	2
7	A318891	WASHER, BACKUP	10	1
8	A153048	PAD, INNER FRICTION	10	1
10	A819288	LINT SCREEN ASY	10	1
11	A819398	TUMBLER ASY(SS)	10	1
12	A102407	BELT	10	1
13	A819132	PANEL, FRONT ASY W/RH HINGE	10	1
-	A400563	MAGNET REMOVAL BIT	10	1
-	A152224	MAGNET SCREW	10	4
-	A102005	MAGNET BLANK	10	2
-	A102004	MAGNET	10	2
14	Y819302	DOOR ASY RH HINGE	10	1
-	102396	DOOR GASKET	10	1
-	103067	DOOR HINGE	10	2
15	185183	HANDLE	10	1
-	185182	HANDLE STANDOFF	10	2
16	A819194	SENSOR, ROTATIONAL ASY	10	1
44	A150123	1/4 20X.25 CAP SCREW	10	3
45	A154217	1/8 POP RIVET	10	1
46	A102004	MAGNET	10	1
47	A115906	FR TUMBLER FELT	10	1
48	A115910	REAR TUMBLER FELT	10	1
-	A401010	ADHESIVE, FELT COLLAR #847	10	1
49	A318784	SHAFT, SOL BLACK	10	1

*Color Code (-)=Not Shown #=Series, Serial Prefix or Run No., N=Not Available

Section: MOTOR

Model: MLG33PDSWW



CD21-80

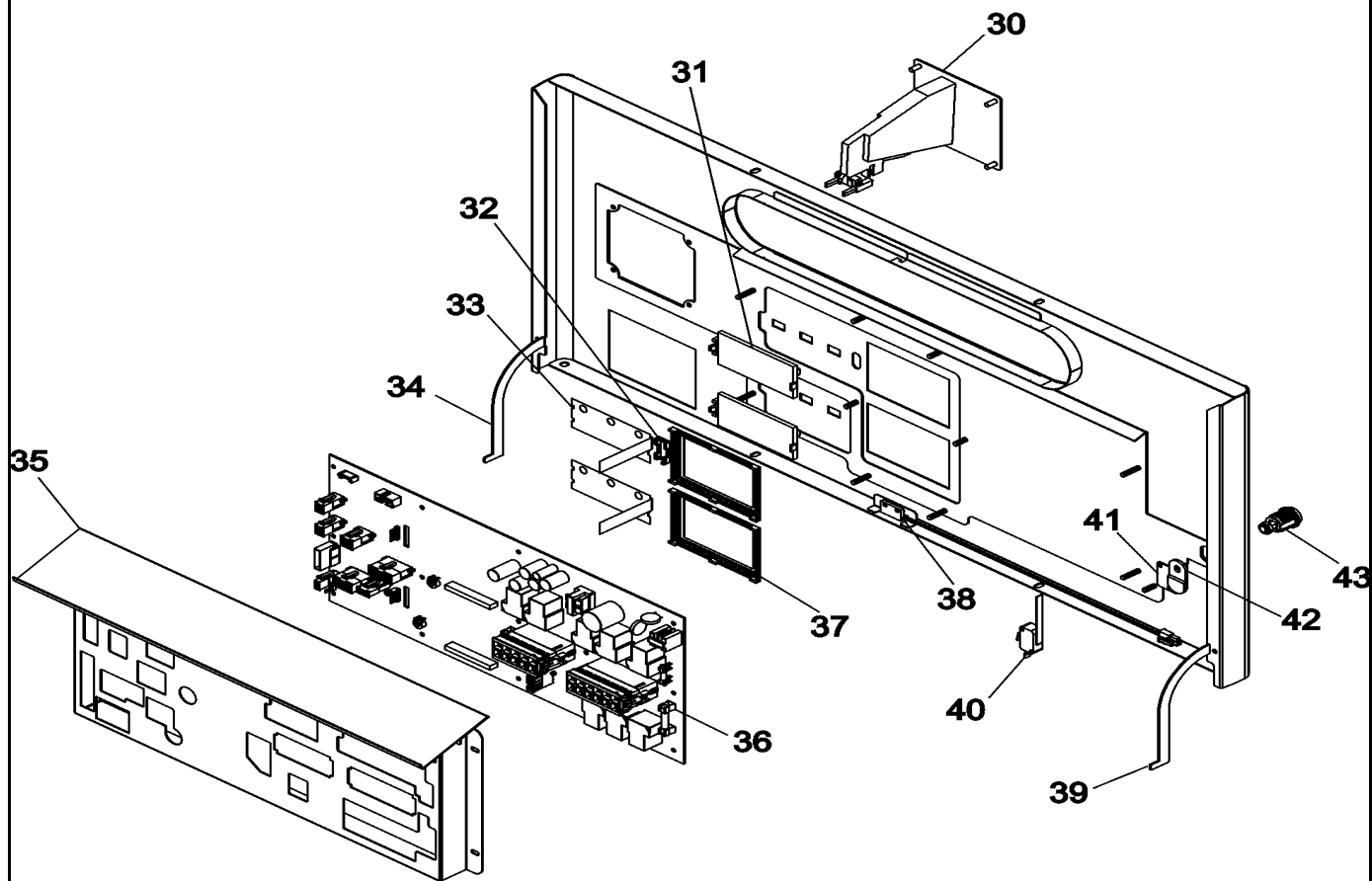
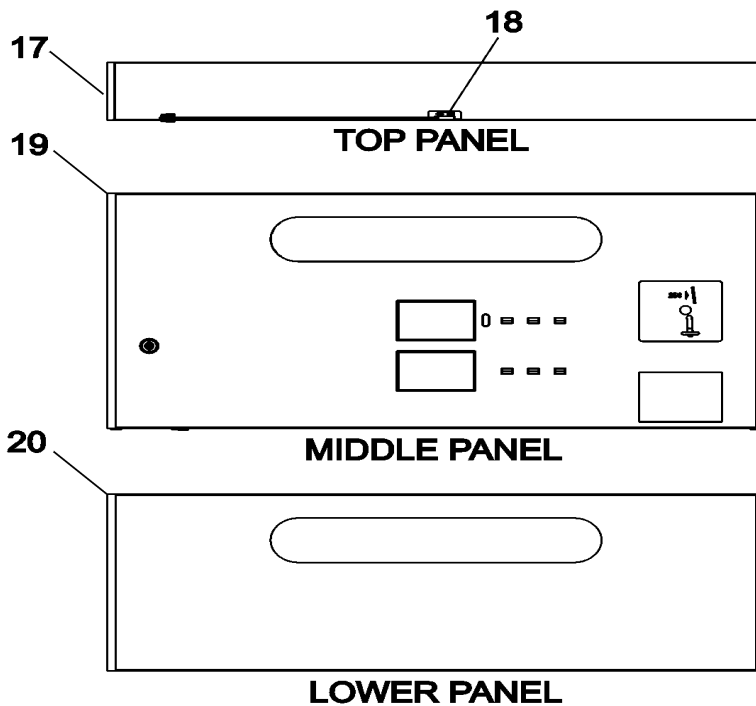
Section: MOTOR

No.	Part No.	Description	Series	Qty
21	A884288	MOTOR 1/4HP W/PULLEY Note: BUILT AFTER 8/31/05	10	1
21	A818485	MOTOR ASSEMBLY Note: BUILT BEFORE 9/1/05	10	1
22	A152004	NUT, HEX (#18-5/16)	10	2
23	A153002	WASHER, LOCK (5/16")	10	2
24	A153018	WASHER, FLAT (1/4")	10	2
25	A154266	SCREW 3/8"x3/8" (5/16-18)	10	2
26	A318909	PULLEY Note: PART OF MOTOR	10	1
27	A152028	NUT, HEX 1/2-13	10	1
27	A152011	NUT, HEX (#1/2-13)	10	1
28	A153011	WASHER, FLAT (9/16")	10	1
29	A150609	TAP BOLT 1/2-13 X 4 1/2	10	1

*Color Code (-)=Not Shown #=Series, Serial Prefix or Run No., N=Not Available

Section: PANELS, FRONT AND CONTROL

Model: MLG33PDSWW



CD11-99

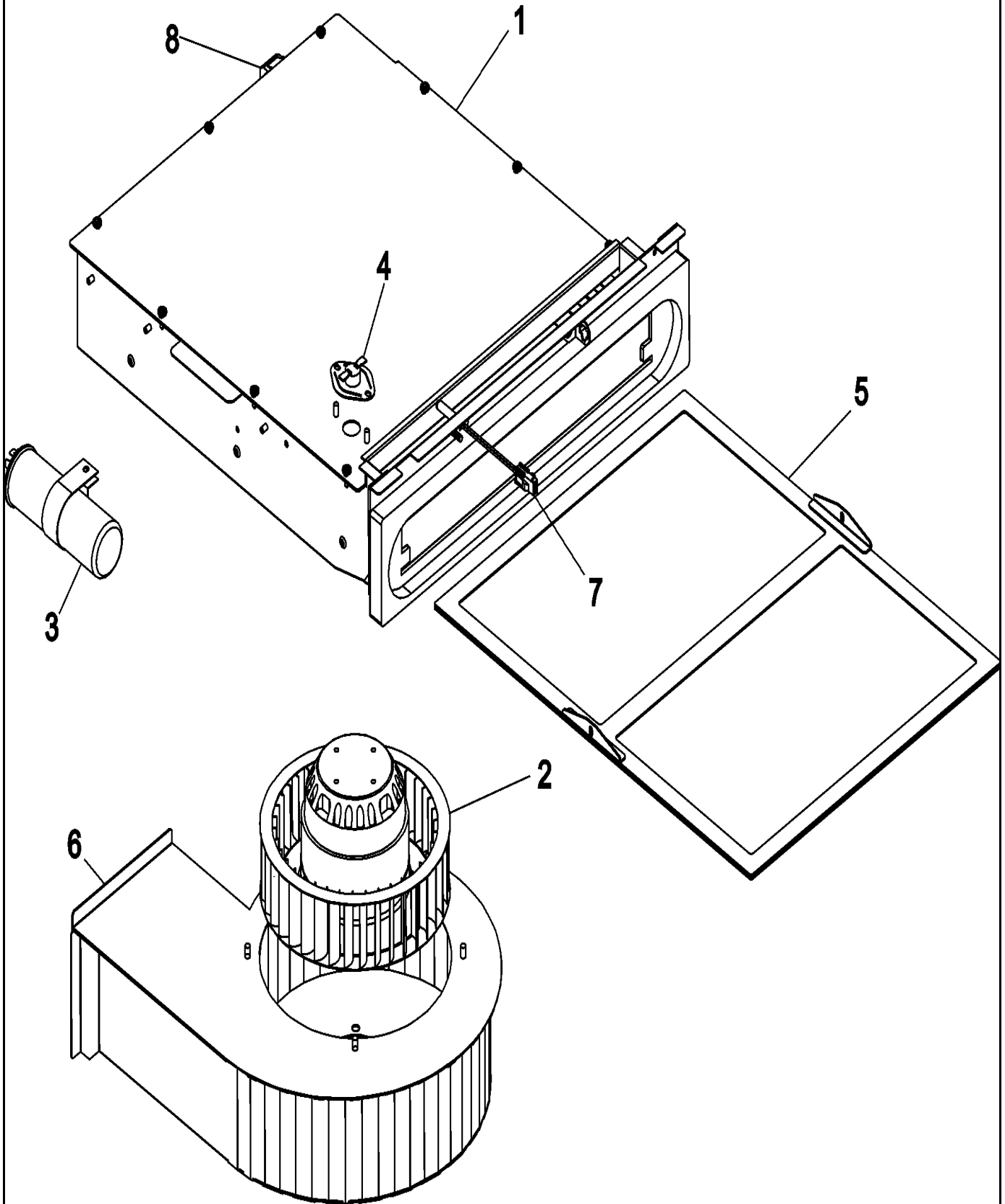
Section: PANELS, FRONT AND CONTROL

No.	Part No.	Description	Series	Qty
17	A819190	TOP TRIM PANEL ASY	10	1
18	A819196	DOOR SWITCH ASY	10	1
-	A183129	T-20 TRUSS HEAD SCREW	10	8
-	A154061	U NUT RETAINER	10	8
19	A819310	CNTRL DOOR, COMP. PHASE 8	10	1
19	A819309	CNTRL DOOR, PHASE 8	10	1
20	185097	TOE PANEL(WHT)	10	1
30	A819261	USD/CAN COIN ACCP	10	1
-	A919807	OPTIC SWITCH	10	1
30	A818213	COIN DROP ASY	10	1
31	A112551	THREE BUTTON ASY-COIN	10	2
32	A135008	COVER, TINTED INFRARED	10	1
33	A112588	SWITCH, MEMBRANE	10	2
34	A318930	HINGE, RH CONTROL PANEL	10	1
35	A319333	COVER, PHASE8.2 CONTROL	10	1
36	A137265	COMPUTER, PHASE8.2.1	10	1
37	A112549	COVER, LCD DISPLAY	10	2
38	A819196	DOOR SWITCH ASY	10	1
39	A318929	HINGE, LH CONTROL PANEL	10	1
40	A122200	SWITCH, SAIL	10	1
41	A154004	NUT, TWIN SPEED	10	1
42	A160066	1-1/8" CAM	10	1
-	A160169	KEY, LOCK 160069	10	1
43	A160069	LOCK	10	1

*Color Code (-)=Not Shown #=Series, Serial Prefix or Run No., N=Not Available

Section: BLOWER

Model: MLG33PDSWW



Section: BLOWER

No.	Part No.	Description	Series	Qty
1	A819193	LINT & BLOWER COMPLETE	10	1
2	A819185	BLOWER MOTOR ASY 120V	10	1
3	A100639	32 MFD CAPACITOR	10	1
4	A130119	L190 AUTO THERMOSTAT	10	1
5	A319409	CLAMP, INNER LINT SCREEN	10	2
5	A819526	INNER LINT SCREEN	10	1
6	A818545	BLOWER HOUSING	10	1
7	A818986	EXHAUST TEMP SENSOR ASY	10	1
8	A122003	SWITCH, LINT DOOR	10	1

*Color Code (-)=Not Shown #=Series, Serial Prefix or Run No., N=Not Available

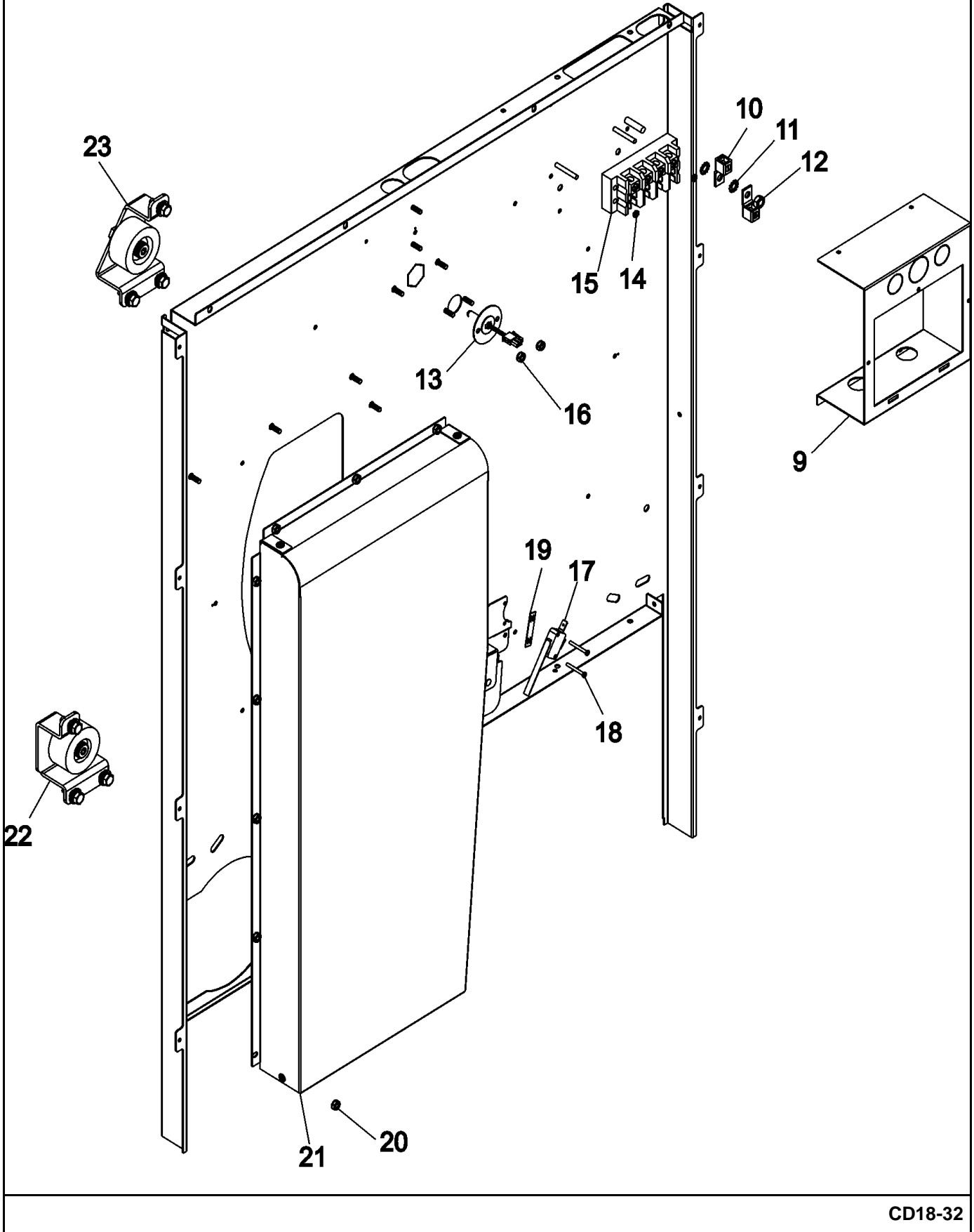
Section: BURNER

No.	Part No.	Description	Series	Qty
24	A819314	BURNER ASY	10	1
24	A819313	BURNER CHAMBER	10	1
25	A183112	THERMOSTAT HI-LIMIT GAS	10	1
26	A183144	INSHOT BURNER TUBE	10	1
27	A128944	GAS VALVE 120VAC 60HZ	10	1
27	A884254	LP CONVERSION KIT	10	1
28	A141318	3/8 90 UNION SHUTOFF	10	1
29	A140880	NG #22 BURNER ORIFICE	10	1
29	A140905	LP #44 BURNER ORIFICE	10	1
30	A128910	IGNITOR-GLOBAR	10	1
31	A183145	#8-32x7/8" HX SCREW W/WSHR	10	1
32	A130500	RASIAN CONTROL	10	1
33	A185096	3/8 NPT MALE 90 GAS PIPE	10	1

*Color Code (-)=Not Shown #=Series, Serial Prefix or Run No., N=Not Available

Section: PANEL, REAR ELECTRICAL

Model: MLG33PDSWW



CD18-32

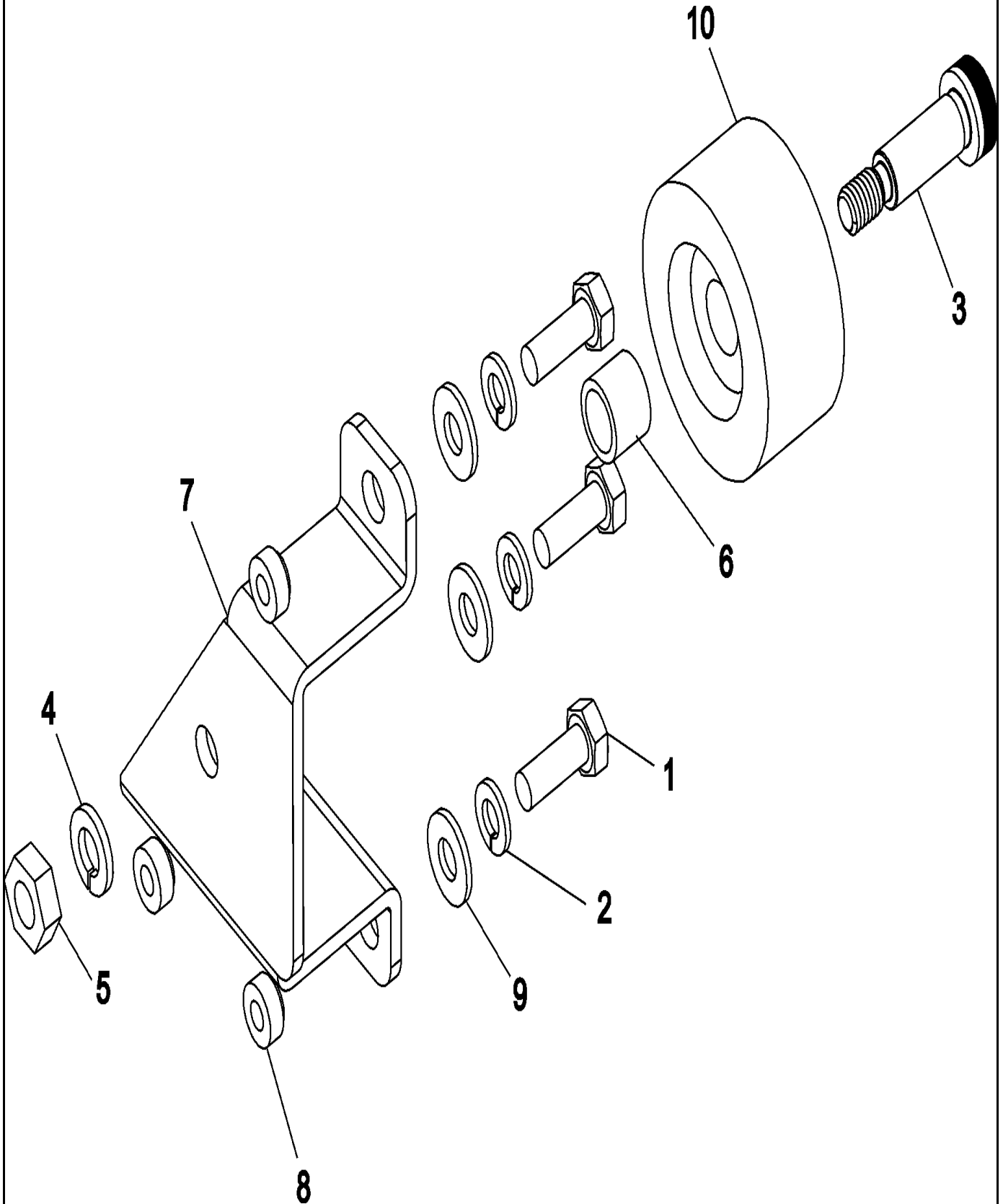
Section: PANEL, REAR ELECTRICAL

No.	Part No.	Description	Series	Qty
9	A318727	COVER, REAR ELEC BOX	10	1
9	A318993	REAR ELEC BOX	10	1
10	A153021	WASHER, SHAKE PROOF	10	1
11	A121010	LUG, GROUND (L-70)	10	1
12	A152002	HEX NUT (#20-1/4")	10	1
13	A819188	SENSOR, AXIAL TEMP	10	1
14	A152015	8-32 HEX NUT	10	1
15	A120728	TERMINAL BLOCK	10	1
16	A153073	#8-32 KEPS NUT	10	2
17	A122200	SWITCH, SAIL	10	2
18	A150025	SCREW (4-40 X 1")	10	2
19	A154004	NUT, TWIN SPEED	10	1
20	A153073	#8-32 KEPS NUT	10	14
21	A819113	HEAT DUCT W/SAIL SWITCH ASY	10	1
22	A818109	FRONT LEFT/REAR RIGHT WHEEL	10	1
23	A818110	FRONT RIGHT/REAR LEFT WHEEL	10	1

*Color Code (-)=Not Shown #=Series, Serial Prefix or Run No., N=Not Available

Section: ROLLER WHEEL ASSEMBLY

Model: MLG33PDSWW



CD16-33

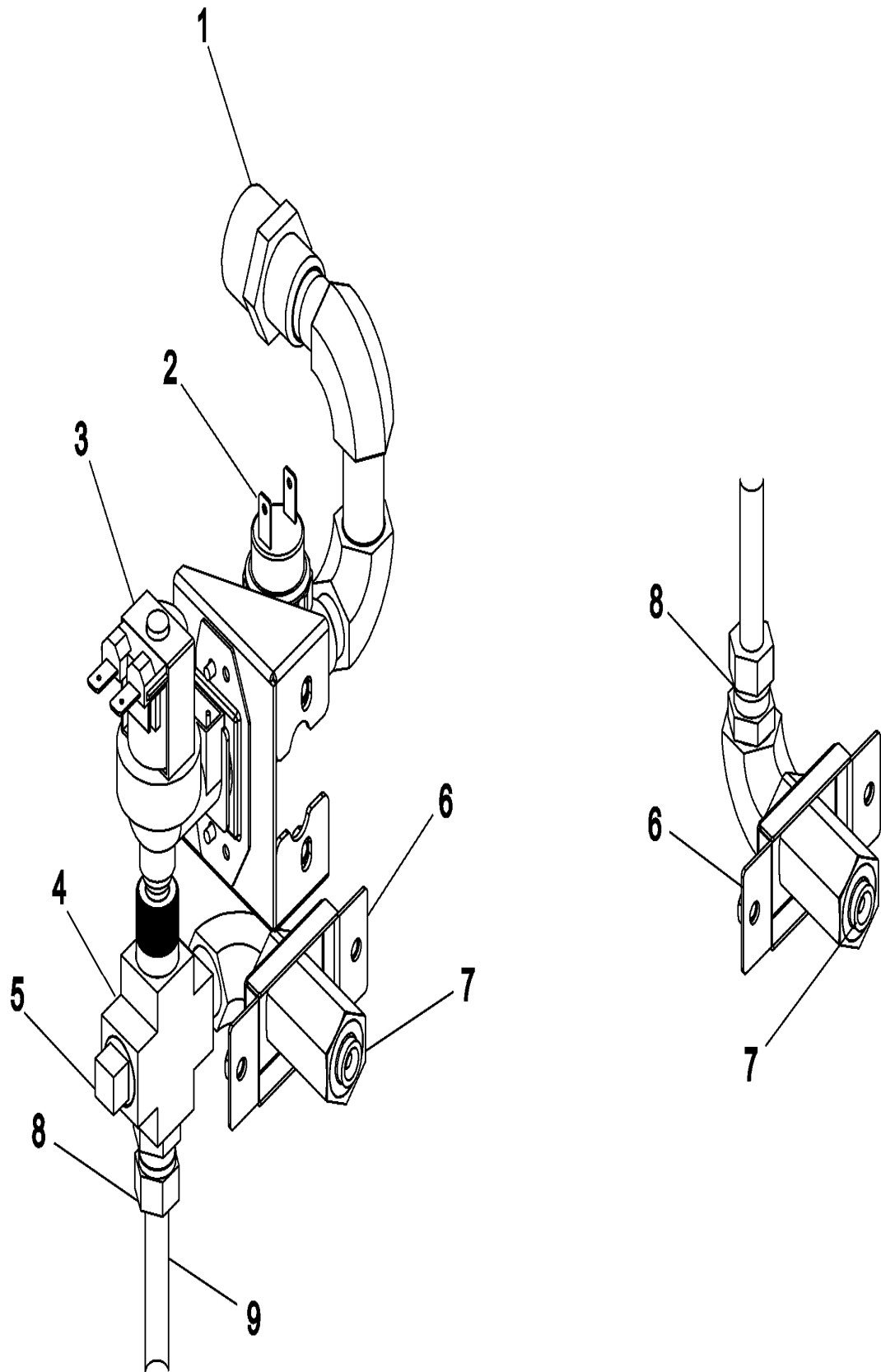
Section: ROLLER WHEEL ASSEMBLY

No.	Part No.	Description	Series	Qty
1	A150510	1/4-20X3/4 HEX BOLT	10	3
2	A153007	WASHER, LOCK (1/4")	10	3
3	A154267	M10x25MM SHOULDER SCREW	10	1
4	A153002	WASHER, LOCK (5/16")	10	1
5	A154013	M10 HEX NUT	10	1
6	A154284	TUMBLER WHEEL SPACER	10	1
7	A318531	LT FT ROLLER WHEEL BRKT	10	1
7	A318233	RT-REAR ROLLER BRKTT Note: SHOWN IN ILLUSTRATION	10	1
7	A318532	FT RT ROLLER WHEEL BRKT	10	1
7	A318232	LT-REAR ROLLER BRKT Note: NOT SHOWN IN ILLUSTRATION	10	1
8	A153564	1/4-20 CLINCH NUT	10	3
9	A153018	WASHER, FLAT (1/4")	10	3
10	A180050	WHEEL	10	1

*Color Code (-)=Not Shown #=Series, Serial Prefix or Run No., N=Not Available

Section: SAFE SYSTEM ASSEMBLY

Model: MLG33PDSWW



CD21-82

Section: SAFE SYSTEM ASSEMBLY

No.	Part No.	Description	Series	Qty
1	A143025	NYLON HOSE ADAPTOR	10	1
2	A136987	SWITCH, PRESSURE	10	1
3	A165120	VALVE WATER	10	1
4	A143236	3/8- BRASS CROSS	10	1
5	A143251	PLUG, BRASS 3/8	10	1
6	A318422	S.A.F.E. BRACKET	10	1
7	A143581	NOZZLE, SPRAY	10	1
8	A143208	CONNECTOR, BRASS 3/8	10	1
9	A143099	TUBING, WALL COPPER (FOOT)	10	1

*Color Code (-)=Not Shown #=Series, Serial Prefix or Run No., N=Not Available

