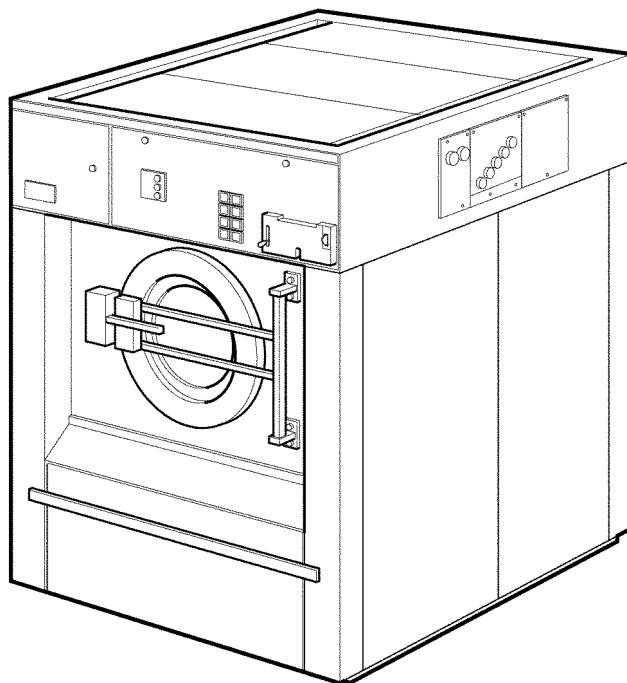


WASCOMAT

Spare Parts Catalogue
Catalogue de pièces de rechange



EX-200, EX-200 HI-TEK

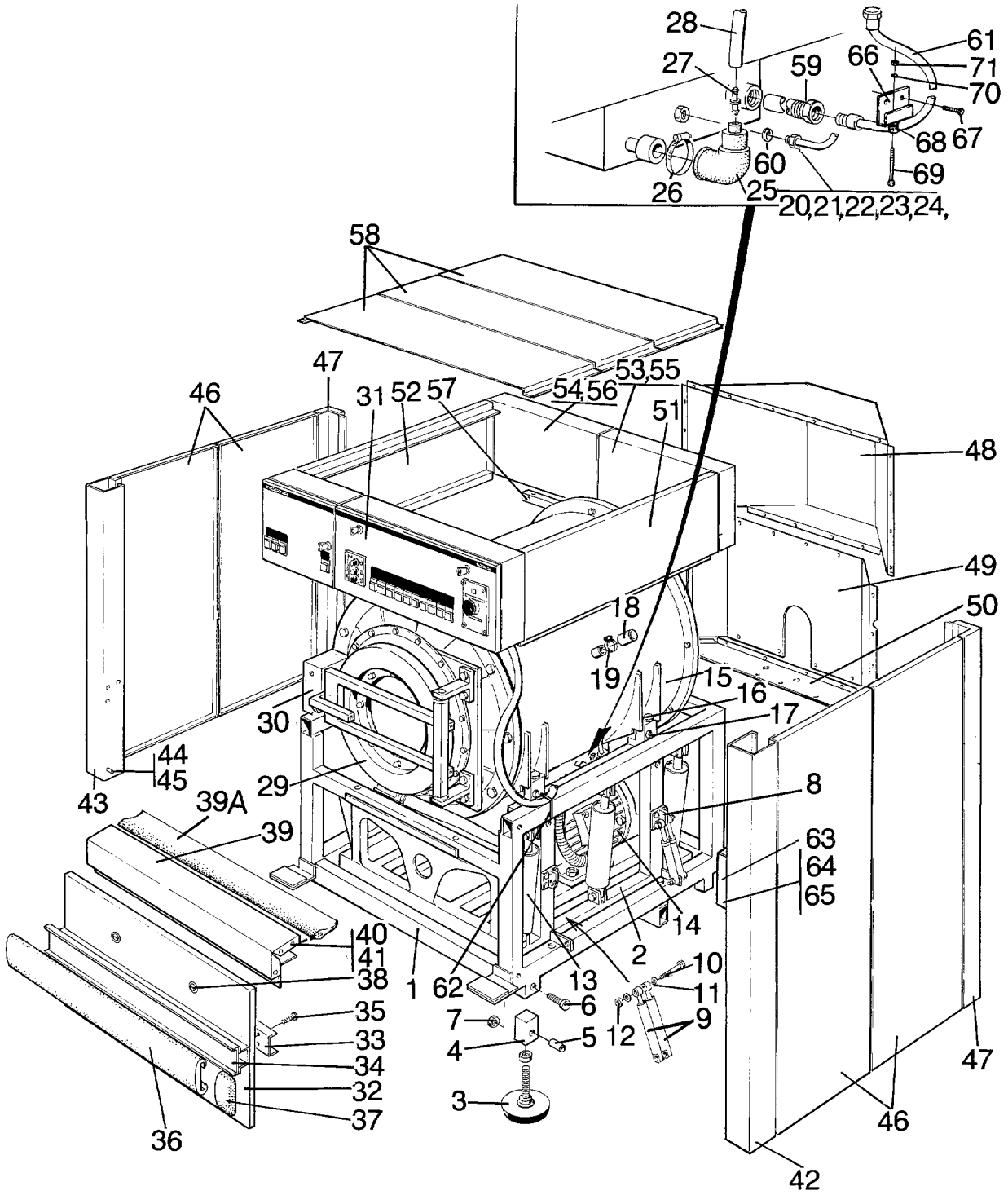
List of issues

**WE220,FLE220,MEGA HS PCO,WE220MP,FLE220MP,MEGA HS PEC,FLE220FC,FLE220FC Aqua
MEGA HS FC**

| Illustration | Page | Table of contents |
|--------------|------|--------------------------------------|
| 100044 | 117 | Inlet valve 3/4", single |
| 100045 | 119 | Inlet valve 3/4", 2-way |
| 100246 | 67 | Drain valve |
| 100248 | 71 | Electrically heated, part 1 |
| 100249 | 75 | Electrically heated, part 2 |
| 100363 | 113 | Pressure amplifier |
| 100418 | 9 | Main exploded view |
| 100419 | 11 | Main exploded view |
| 100420 | 15 | Outer frame and feet |
| 100421 | 17 | Inner and outer drum complete |
| 100421 | 21 | Inner and outer drum complete |
| 100423 | 23 | Suspension |
| 100424 | 25 | Motors |
| 100425 | 27 | Belt tensioner wash |
| 100426 | 29 | Belt tensioner centrifugal |
| 100431 | 31 | Clutch |
| 100432 | 33 | Clutch |
| 100433 | 35 | Switch for hydraulic coupling |
| 100434 | 37 | Door |
| 100435 | 39 | Out of balance switch |
| 100436 | 41 | Control unit |
| 100437 | 45 | Control unit |
| 100438 | 53 | Steam and water valves |
| 100439 | 55 | Steam and water valves |
| 100440 | 63 | Dispensing components |
| 100441 | 65 | Drain valve |
| 100442 | 69 | Component box |
| 100443 | 77 | Tilting device |
| 100444 | 79 | Tilting device, forward |
| 100445 | 81 | Tilting device, forward and backward |
| 100446 | 83 | Control unit |
| 100447 | 85 | Third water valve |
| 100448 | 87 | Motor brake |
| 100449 | 89 | Motor brake |
| 100450 | 91 | Time relay for detergent |
| 100451 | 93 | Switches |
| 100452 | 95 | Voltage control |
| 100453 | 97 | Voltage control |
| 100454 | 99 | Water and heat recovery |
| 100455 | 105 | Lubrication, v-ring |
| 100480 | 49 | Control unit MP |
| 100481 | 61 | Steam heated |
| 100482 | 59 | Water valves, electrically heated |
| 100483 | 101 | Water recovery with pump |
| 100484 | 107 | Drum rotation with open door |
| 100485 | 109 | Side outlet |
| 100486 | 111 | Sound and heat insulating |
| 100563 | 115 | Drain valve |
| 100574 | 123 | Steam inlet valve |
| 100577 | 127 | Solenoid valve |
| 100590 | 129 | Wash motor |
| 100591 | 131 | Centrifugal motor |
| 100605 | 133 | Card programmer |
| 100611 | 137 | Pump |
| 100628 | 139 | Door lock |
| 100798 | 121 | Inlet valve 3/4", 2-way |
| 100806 | 125 | Control valve |
| 100826 | 135 | Memory cartridge complete |
| 101465 | 19 | Control panel |

WE220,FLE220,MEGA HS PCO,WE220MP,FLE220MP,MEGA HS PEC,FLE220FC,FLE220FC Aqua MEGA HS FC

| Table of contents | Table des matières | Page/Page |
|--------------------------------------|---|-----------|
| Main exploded view | Vue éclatée principale | 9 |
| Main exploded view | Vue éclatée principale | 11 |
| Outer frame and feet | Base externe et pieds | 15 |
| Inner and outer drum complete | Tambour intérieur et extérieur complet | 17 |
| Control panel | Pignon arrière avec tambour intérieur | 19 |
| Inner and outer drum complete | Tambour intérieur et extérieur complet | 21 |
| Suspension | Pied à ressorts | 23 |
| Motors | Moteurs | 25 |
| Belt tensioner wash | Tendeur de courroie de lavage | 27 |
| Belt tensioner centrifugal | Tendeur de courroie essorage | 29 |
| Clutch | Connexion | 31 |
| Clutch | Connexion | 33 |
| Switch for hydraulic coupling | Commutateur, connexion hydraulique | 35 |
| Door | Plaque | 37 |
| Out of balance switch | Commutateur asymétrique | 39 |
| Control unit | Unité de commande | 41 |
| Control unit | Unité de commande | 45 |
| Control unit MP | Unité de commande MP | 49 |
| Steam and water valves | Soupapes vapeur et eau | 53 |
| Steam and water valves | Soupapes vapeur et eau | 55 |
| Water valves, electrically heated | Soupapes eau, chauffage électrique | 59 |
| Steam heated | Vapeur | 61 |
| Dispensing components | Distributeur de savon | 63 |
| Drain valve | Purgeur | 65 |
| Drain valve | Purgeur | 67 |
| Component box | Boîtier de l'appareil | 69 |
| Electrically heated, part 1 | Chauffage électrique, partie 1 | 71 |
| Electrically heated, part 2 | Chauffage électrique, partie 2 | 75 |
| Tilting device | Unité basculement | 77 |
| Tilting device, forward | Basculement avant | 79 |
| Tilting device, forward and backward | Basculement avant et arrière | 81 |
| Control unit | Organe de direction | 83 |
| Third water valve | Soupapes vapeur et eau | 85 |
| Motor brake | Frein moteur | 87 |
| Motor brake | Frein moteur | 89 |
| Time relay for detergent | Relais temporisé pour savon | 91 |
| Switches | Groupe de boutons | 93 |
| Voltage control | Réglage de la tension | 95 |
| Voltage control | Réglage de la tension | 97 |
| Water and heat recovery | Récupération chauffage et eau | 99 |
| Water recovery with pump | Récupération eau avec pompe | 101 |
| Lubrication, v-ring | Lubrification, joint trapézoïdal | 105 |
| Drum rotation with open door | Rotation du tambour avec plaque ouverte | 107 |
| Side outlet | Déversoir latéral | 109 |
| Sound and heat insulating | Isolation sonore et thermique | 111 |
| Pressure amplifier | Pompe refoulante auxiliaire | 113 |
| Drain valve | Purgeur | 115 |
| Inlet valve 3/4", single | Soupape de admission 3/4", simple | 117 |
| Inlet valve 3/4", 2-way | Soupape de admission 3/4", 2 voies | 119 |
| Inlet valve 3/4", 2-way | Soupape de admission 3/4", 2 voies | 121 |
| Steam inlet valve | Soupape | 123 |
| Control valve | Soupape | 125 |
| Solenoid valve | Electrovanne | 127 |
| Wash motor | Moteur de lavage | 129 |
| Centrifugal motor | Moteur | 131 |
| Card programmer | Programmateur cartes | 133 |
| Memory cartridge complete | Cassette de mémoire complet | 135 |
| Pump | Pompe | 137 |
| Door lock | Serrure de porte | 139 |



100418

| Issue | Month | Year |
|-------|-------|------|
| 01 | 05 | 88 |

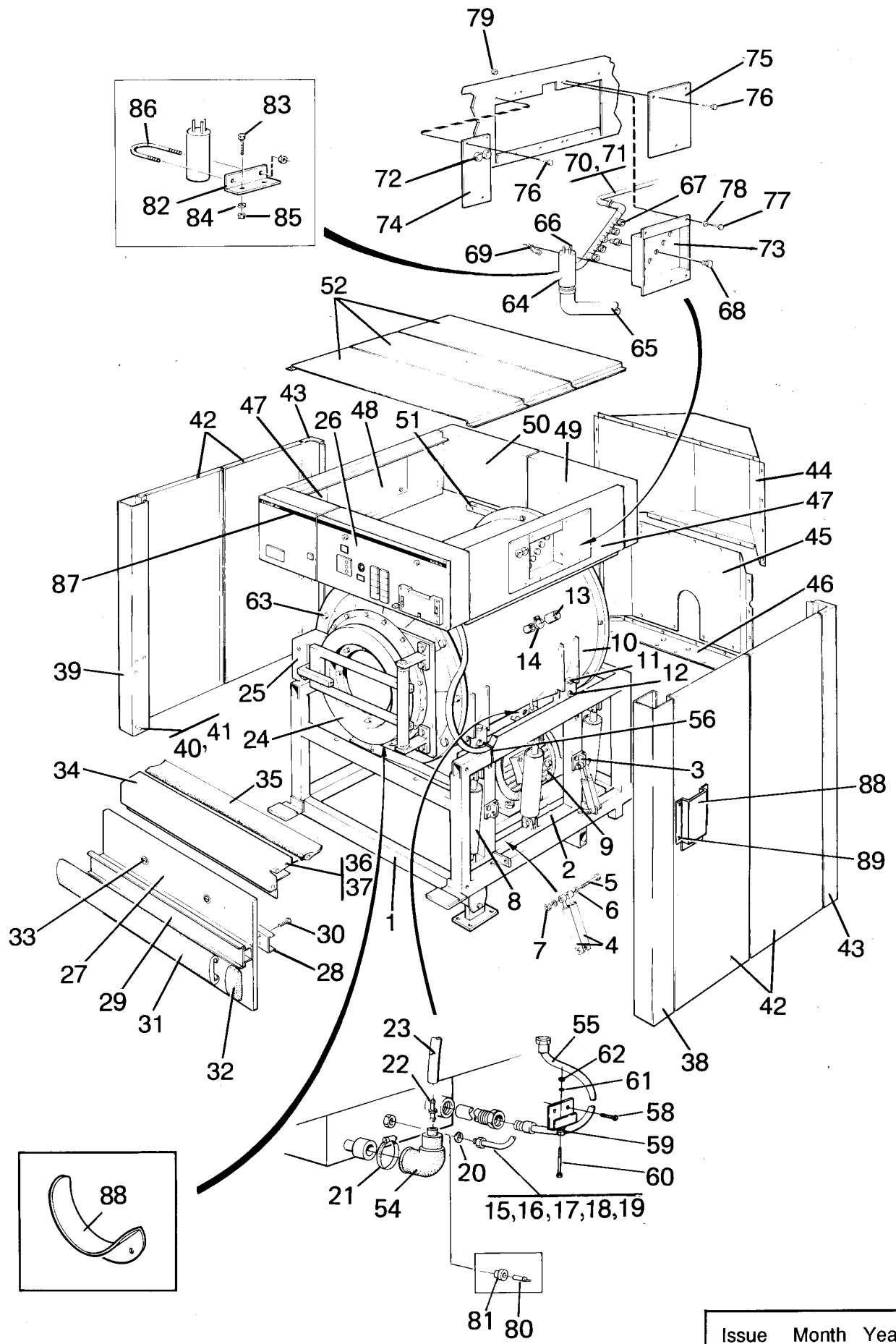
EX-200 -83/1060,EX-200 HI-TEK -83/1060

Main exploded view

Vue éclatée principale

Illustration Issue Month Year
Schéma Issue Month Year
100418 3 11 2000

| Item Article | Qua Qua | Art.No Réf. article | Description | Description | Info Info | Notes Remarques |
|-----------------|------------|------------------------|-------------------|----------------------------------|--------------|---|
| 4 | | | | | | |
| 1 | 1 | 471 7647-33 | Type plate | Numéro série plaque | | Not used 3 Electrolux-Wascator WE220 -83/1030 |
| 2 | 1 | 471 4525-36 | Panel sign | Voyant du tableau | | 3 English P8, NO COIN-METER See illustr. 100420 83/1031- |
| | 1 | 471 4525-89 | Panel sign | Voyant du tableau | | 3 Italian P2 |
| | 1 | 471 4526-30 | User instructions | Instruction de fonctionnement | | 3 SWEDISH SILVER -83/1030 |
| | 1 | 471 4525-83 | Panel sign | Voyant du tableau | | 3 English P2 -83/1030 |
| 3 | 1 | 471 7626-95 | | | | 3 CLEIS WE 220MP -83/1030 |
| 4 | | | | | | Not used |



100419

| Issue | Month | Year |
|-------|-------|------|
| 05 | 02 | 95 |

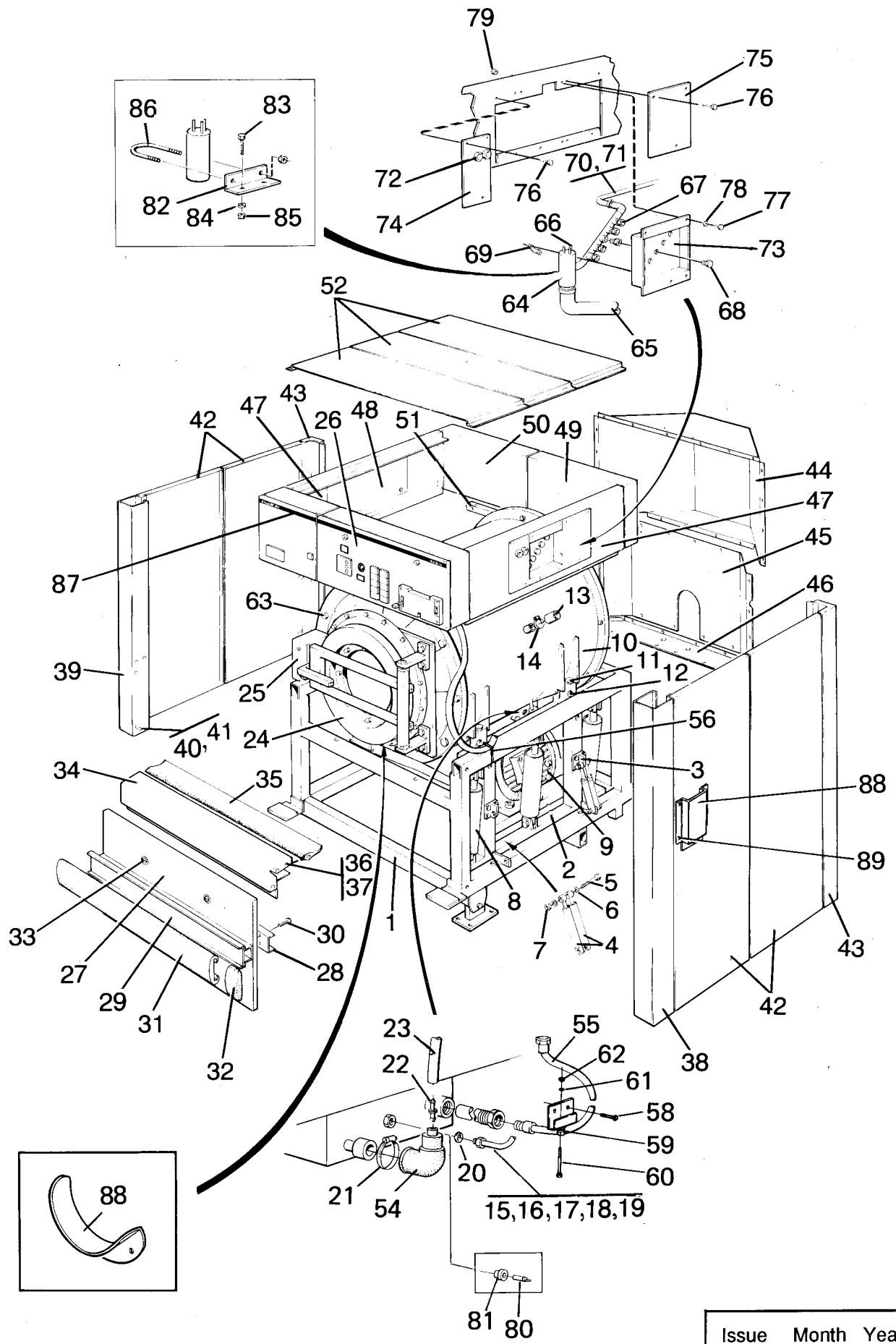
EX-200 83/1061-,EX-200 HI-TEK 83/1061-

Main exploded view

Vue éclatée principale

Illustration Issue Month Year
Schéma Issue Month Year
100419 3 11 2000

| Item Article | Qua Qua | Art.No Réf. article | Description | Description | Info Info | Notes Remarques |
|-----------------|------------|------------------------|---------------------|---------------------|--------------|----------------------------------|
| 1 | 1 | 472 6921-01 | Frame | Base | 3 | See illustr. 100420 |
| | 1 | 472 6921-02 | Frame | Base | 3 | HONG KONG, . See illustr. 100420 |
| 2 | 2 | 472 6920-01 | Inner frame | Inner frame | 3 | |
| 3 | 4 | 471 4641-26 | Bracket | Support de montage | 3 | |
| 4 | 1 | 472 9901-06 | Shock absorber | Amortisseur | 1,2 | Kit |
| 5 | 8 | 725 2507-51 | Screw | Vis | 3 | M10X80 |
| 6 | 8 | 471 9073-59 | Washer | Rondelle | 3 | TBRBSB 13X36 |
| 7 | 8 | 732 2120-01 | Locking nut | Contre-écrou | 3 | M10 |
| 8 | 6 | | Spring strut | Pied à ressorts | | See illustr. 100423 |
| 9 | | | Motor | Moteur | | See illustr. 100424 |
| 10 | | | Drum | Tambour | | INNER,UPPER See illustr. 100421 |
| 11 | 4 | 725 2628-51 | Screw | Vis | 3 | M16X40 |
| 12 | 4 | 725 5493-01 | Screw | Vis | 3 | M10X25 |
| 13 | 1 | 471 2409-89 | Hood | Capot | 3 | |
| 14 | 1 | 736 2840-51 | Hose clamp | Attache flexible | 3 | Ø50-63 |
| 15 | 1 | 471 8806-61 | Sensor unit | Bloc de détection | 1 | |
| 16 | 1 | 471 6664-33 | Kit | Kit | 1 | Thermostat -88/1436 |
| 17 | 1 | 471 2416-41 | •Nipple | •Raccord | | -88/1436 |
| 18 | 1 | 471 2416-43 | •Cone | •Cône | | -88/1436 |
| 19 | 1 | 471 2416-42 | •Nipple | •Raccord | | -88/1436 |
| 20 | 1 | 740 4805-03 | •O-ring | •Joint torique | | -88/1436 |
| 21 | 1 | 736 2840-51 | Hose clamp | Attache flexible | 3 | Ø50-63 |
| 22 | 1 | 471 2401-52 | Nipple | Raccord | 3 | |
| 23 | 1 | 471 4647-78 | Hose | Flexible | 1,2 | |
| 24 | 1 | | Door | Plaque | | See illustr. 100434 |
| 25 | 1 | | Door locking device | Serrure de porte | | See group US8707 |
| 26 | 1 | | Control unit | Unité de contrôle | | See illustr. 100437 |
| 27 | 1 | 471 4108-78 | Door | Plaque | 3 | |
| 28 | 1 | 471 4108-10 | Profile | Profilé | 3 | |
| 29 | 1 | 471 5560-00 | Profile | Profilé | 3 | |
| 30 | 10 | 729 9342-61 | Screw | Vis | 3 | 4,2X13 |
| 31 | 1 | 471 5564-00 | Safety strip | Lame sécurité plomb | 3 | |
| 32 | 2 | 471 9204-93 | Sleeve | Manchon | 3 | |
| 33 | 2 | 471 8302-01 | Lock | Serrure | 1 | |
| 34 | 1 | 471 4310-90 | Protection panel | Plaque protectrice | 3 | |
| 35 | 1 | 471 8176-02 | Cover | Couvercle | 1 | |
| 36 | 6 | 725 2368-51 | Screw | Vis | 3 | M6X16 |
| 37 | 6 | 731 2316-01 | Nut | Écrou | 3 | M6 |
| 38 | 1 | 471 4006-02 | Pillar | Montant | 3 | Stainless Right |
| 39 | 1 | 471 4006-02 | Pillar | Montant | 3 | Stainless Left |
| 40 | 2 | 724 1321-42 | Screw | Vis | 3 | M5X6 |
| 41 | 2 | 471 2411-27 | Nut | Écrou | 3 | |
| 42 | 4 | 471 4005-96 | Side panel | Panneau latéral | 3 | White |
| | 4 | 471 4243-02 | Side panel | Panneau latéral | 3 | Stainless |
| 43 | 2 | 471 4005-99 | Pillar | Montant | 3 | White |
| 44 | 1 | 472 6950-01 | Cover plate | Plaque recouvrement | 3 | |
| 45 | 1 | 472 6951-01 | Cover plate | Plaque recouvrement | 3 | |
| 46 | 1 | 472 6946-01 | Plate | Plaque | 3 | |
| 47 | 2 | 471 4007-15 | Side panel | Panneau latéral | 3 | White Upper |
| | 2 | 471 4248-02 | Side panel | Panneau latéral | 3 | Stainless Upper |
| 48 | 1 | 472 6843-01 | Cover plate | Plaque recouvrement | 3 | White |
| 49 | 1 | | Valve | Soupape | | STEAM-WATER See illustr. 100439 |
| 50 | 1 | | Box | Boîtier | | See illustr. 100442 |
| 51 | 1 | 472 6945-01 | Bracket | Pupitre | 3 | |
| 52 | 3 | 471 4108-02 | Top panel | Couvercle | 3 | White |
| | 3 | 471 4241-01 | Top panel | Couvercle | 3 | Yellow |



100419

| Issue | Month | Year |
|-------|-------|------|
| 05 | 02 | 95 |

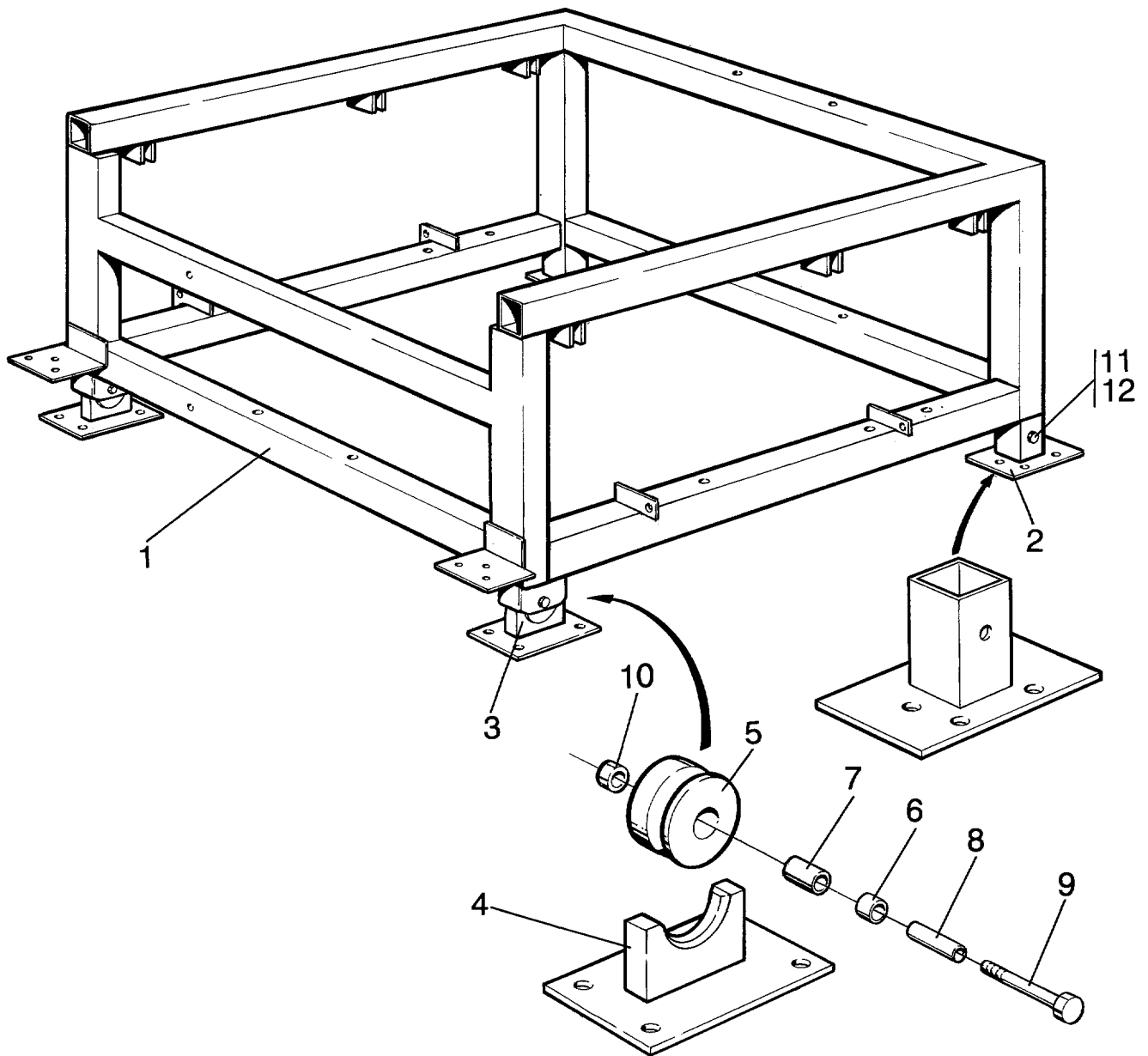
EX-200 83/1061-,EX-200 HI-TEK 83/1061-

Main exploded view

Vue éclatée principale

Illustration Issue Month Year
Schéma Issue Month Year
100419 3 11 2000

| Item Article | Qua Qua | Art.No Réf. article | Description | Description | Info Info | Notes Remarques |
|-----------------|------------|------------------------|-----------------|---------------------|--------------|--|
| 53 | 1 | 471 5617-00 | Injector | Injecteur | 1 | 1 1/4" |
| 54 | 1 | 471 2095-32 | Air chamber | Chambre à air | 1 | |
| 55 | 1 | 471 8126-04 | Hose | Flexible | 1,2 | |
| 56 | 1 | 736 2849-51 | Hose clamp | Attache flexible | 3 | Ø77-93 |
| 57 | 1 | 471 4641-15 | Angle | Coude | 3 | |
| 58 | 2 | 725 2366-61 | Screw | Vis | 3 | M6SF 6X12 |
| 59 | 1 | 471 7855-01 | Clamp | Attache | 3 | |
| 60 | 2 | 725 2466-51 | Screw | Vis | 3 | M8X75 |
| 61 | 2 | 734 1164-01 | Washer | Rondelle | 3 | 8,4X17 |
| 62 | 2 | 732 2118-01 | Locking nut | Contre-écrou | 3 | M8 |
| 63 | 5 | 471 2416-83 | Hood | Capot | 3 | |
| 64 | 1 | 472 6844-01 | Pipe | Tube | 3 | SUPPLY WITH ITEM 66 |
| 65 | 1 | 471 4051-01 | Hose | Flexible | 1 | |
| 66 | 1 | 471 8656-02 | Hose connection | Connexion flexible | 3 | SUPPLY WITH ITEM 64 |
| 67 | 5 | 471 8623-01 | Connection | Embrayage | 3 | R1/2" |
| 68 | 5 | 471 8651-50 | Plug | Fiche | 3 | |
| 69 | 2 | 471 7858-04 | Clamp | Attache | 3 | |
| 70 | 1 | 471 8116-01 | Hose | Flexible | 1 | DS |
| 71 | 2 | 736 2816-51 | Hose clamp | Attache flexible | 3 | Ø13-19 |
| 72 | 2 | 762 1209-10 | Grommet | Oeillet | 3 | |
| 73 | 1 | 472 6842-01 | Mounting plate | Plaque de montage | 3 | |
| 74 | 1 | 472 6841-01 | Cover | Couvercle | 3 | |
| 75 | 1 | 472 6840-01 | Cover plate | Plaque recouvrement | 3 | |
| 76 | 6 | 729 5410-01 | Screw | Vis | 3 | RXS B10X13 |
| 77 | 4 | 724 1289-01 | Screw | Vis | 3 | M4X10 |
| 78 | 4 | 734 1136-01 | Washer | Rondelle | 3 | BRB 4,3X9 |
| 79 | 4 | 731 2312-01 | Nut | Écrou | 3 | M4 |
| 80 | 1 | 472 9913-22 | Sensor | Capteur | 1,2 | Complete |
| 81 | 1 | 471 8192-01 | •Bushing | •Douille | 1 | 88/1437- |
| 82 | 1 | 472 7971-01 | Bracket | Pièce de retenue | 3 | |
| 83 | 2 | 725 2366-51 | Screw | Vis | 3 | M6X12 |
| 84 | 2 | 734 1153-09 | Washer | Rondelle | 3 | BRB 6,4X12 |
| 85 | 2 | 731 2316-01 | Nut | Écrou | 3 | M6 |
| 86 | 1 | 471 7858-07 | Clamp | Attache | 3 | 2" |
| 87 | 1 | 471 7626-74 | | | 1 | WASCOMAT EX-200 |
| | 1 | 471 7639-15 | | | 1 | WASCOMAT EXTRACT-O-MATIC EX-200 HI-TEK |
| 88 | 1 | 472 7945-01 | Card box | Caisse en carton | 3 | |
| 89 | 5 | 471 8340-12 | Screw | Vis | 3 | RTS 3,5X9,5 |



100420

| | | |
|-------|-------|------|
| Issue | Month | Year |
| 01 | 05 | 88 |

EX-200 83/1061-,EX-200 HI-TEK 83/1061-

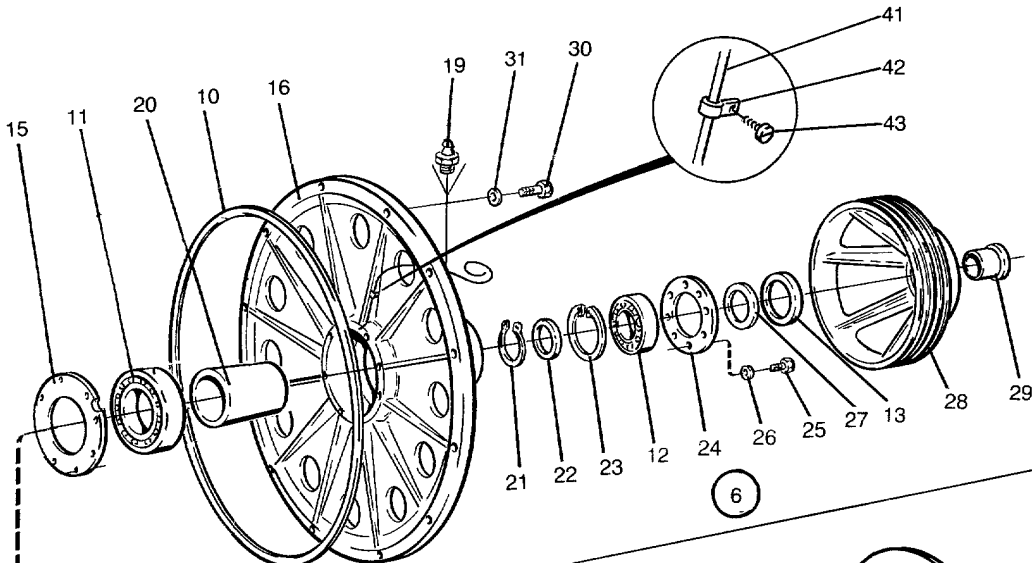
Outer frame and feet

Base externe et pieds

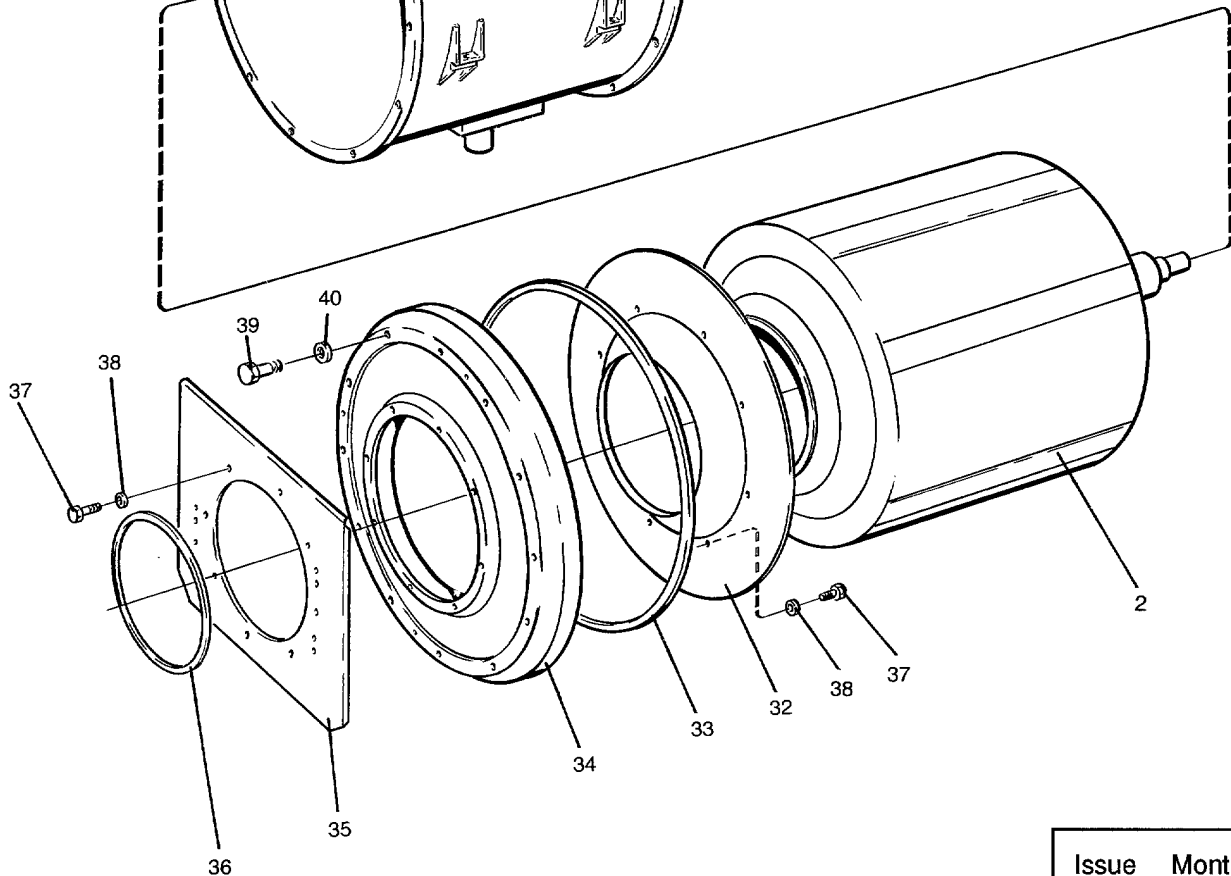
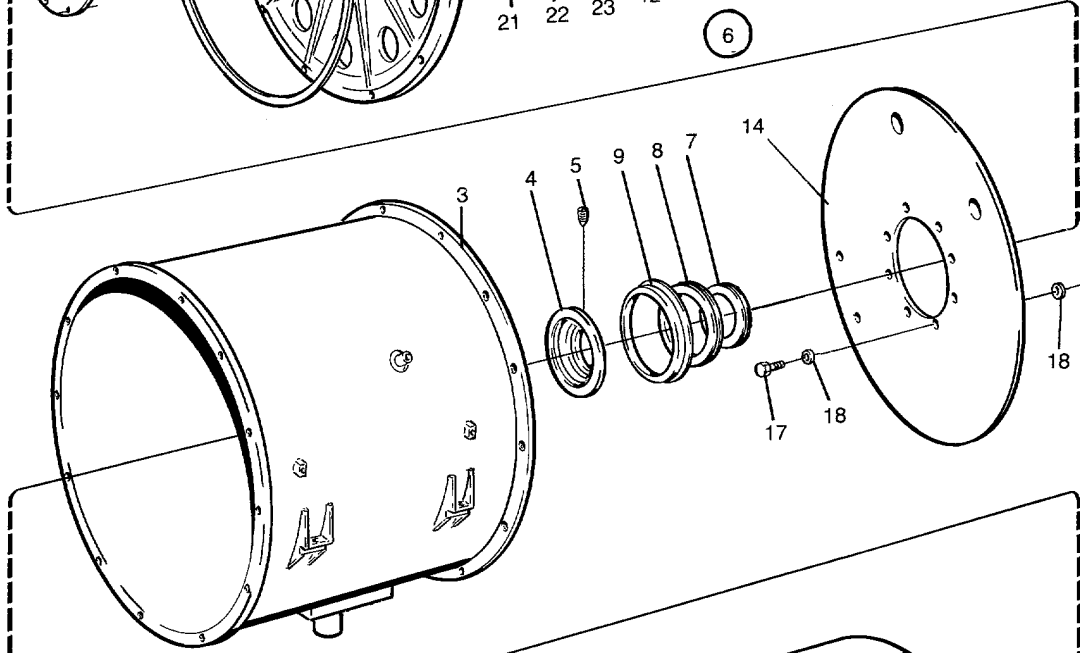
Illustration Issue Month Year
Schéma Issue Month Year
100420 1 5 1988

| Item Article | Qua Qua | Art.No Réf. article | Description | Description | Info Info | Notes Remarques |
|-----------------|------------|------------------------|--------------|---------------------|--------------|--------------------|
| 1 | 1 | 472 6921-01 | Frame | Base | 3 | |
| | 1 | 472 6921-02 | Frame | Base | 3 | HONG KONG |
| 2 | RQ | 472 6817-01 | Foot | Pied | 1 | |
| 3 | RQ | 472 6818-01 | Foot | Pied | 1 | |
| 4 | RQ | 472 6812-01 | •Bracket | •Support de montage | 1 | Foot |
| 5 | RQ | 472 6810-01 | •Wheel | •Roue | 1 | |
| 6 | RQ | 471 8576-03 | •Bushing | •Douille | 1 | 20/28X20 |
| 7 | RQ | 471 8576-04 | •Bushing | •Douille | 1 | 20/28X30 |
| 8 | RQ | 472 6814-01 | •Bushing | •Douille | 1 | |
| 9 | RQ | 725 2636-51 | •Screw | •Vis | 3 | M16X80 |
| 10 | RQ | 732 2124-01 | •Locking nut | •Contre-écrou | 3 | M16 |
| 11 | RQ | 725 2636-51 | Screw | Vis | 3 | M16X80 |
| 12 | RQ | 732 2124-01 | Locking nut | Contre-écrou | 3 | M16 |

1



6



| Issue | Month | Year |
|-------|-------|------|
| 01 | 05 | 88 |

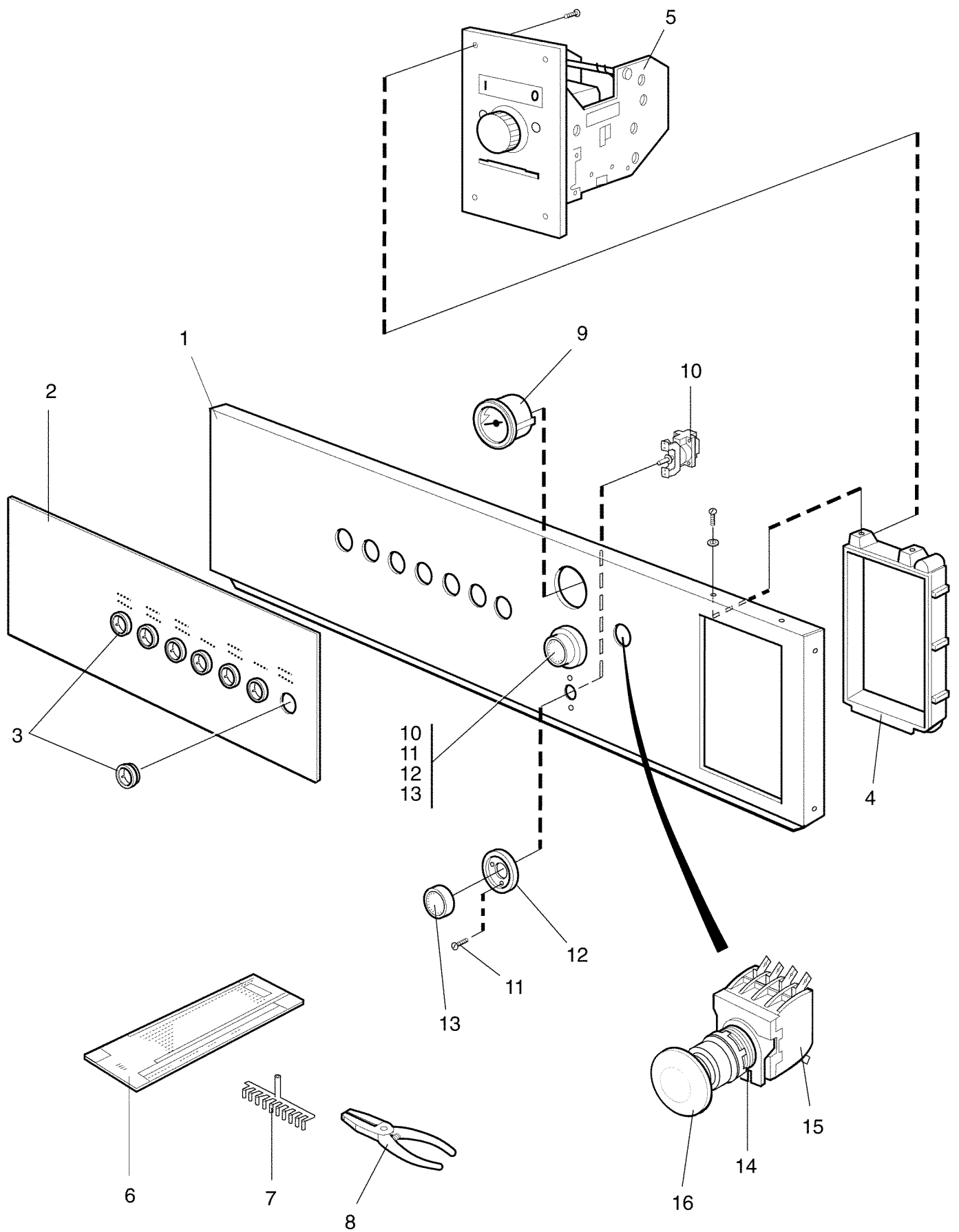
EX-200 83/1061-,EX-200 HI-TEK 83/1061-

Inner and outer drum complete

Tambour intérieur et extérieur complet

Illustration Issue Month Year
Schéma Issue Month Year
100421 4 3 1993

| Item Article | Qua Qua | Art.No Réf. article | Description | Description | Info Info | Notes Remarques |
|-----------------|------------|------------------------|----------------------|------------------------|--------------|--------------------|
| 1 | 1 | 472 6934-01 | Drum | Tambour | 3 | COMPLETE,DS |
| | 1 | 472 6934-02 | Drum | Tambour | 3 | EI. |
| 2 | 1 | 472 6927-01 | •Inner drum | •Intérieur du tambour | 3 | |
| 3 | 1 | 472 6936-01 | •Outer drum | •Extérieur du tambour | 3 | -87/1328 |
| | 1 | 472 6936-05 | •Outer drum | •Extérieur du tambour | 3 | DS 87/1329- |
| | 1 | 472 6936-06 | •Outer drum | •Extérieur du tambour | 3 | EI. 87/1329- |
| 4 | 1 | 472 6916-01 | •Bracket | •Pièce de retenue | 1 | |
| 5 | 1 | 728 8362-01 | •Screw | •Vis | 3 | SK6SS 6X8 |
| 6 | 1 | 471 6668-98 | •Bearing set | •Jeu de coussinets | 1 | |
| 7 | 1 | | ••V-ring | ••Anneau en forme de V | | |
| 8 | 1 | | ••V-ring | ••Anneau en forme de V | | |
| 9 | 1 | | ••Seal | ••Joint | | -82/1010 |
| 10 | 1 | 471 8155-02 | ••Gasket | ••Bande de garniture | 3 | |
| 11 | 1 | | ••Roller bearing | ••Roulements à galets | | |
| 12 | 1 | | ••Roller bearing | ••Roulements à galets | | |
| 13 | 1 | | ••V-ring | ••Anneau en forme de V | | |
| | RQ | 874 7601-08 | ••Lubricating grease | ••Lubrifiant solide | | |
| 14 | 1 | 472 6932-01 | •Cover plate | •Plaque recouvrement | 1 | -83/1060 |
| | 1 | 472 6932-02 | •Cover plate | •Plaque recouvrement | 1 | 83/1061- |
| 15 | 1 | 472 6954-01 | •Plate | •Plaque | 3 | |
| 16 | 1 | 472 6908-01 | •End piece | •Pignon | 3 | |
| 17 | 8 | 725 2451-42 | •Screw | •Vis | 3 | M8X20 |
| 18 | 16 | 734 1164-09 | •Washer | •Rondelle | 3 | BRB 8,4X17 |
| 19 | 2 | 738 8810-01 | •Nipple | •Raccord | 1 | |
| 20 | 1 | 472 6930-01 | •Sleeve | •Manchon | 3 | |
| 21 | 1 | 735 3179-00 | •C-clamp | •Presse à main | 3 | SGA16 |
| 22 | 1 | 472 6931-01 | •Ring | •Anneau | 3 | |
| 23 | 1 | 735 3187-10 | •C-clamp | •Presse à main | 3 | SGH200 |
| 24 | 1 | 472 6929-01 | •Bearing cover | •Chapeau de palier | 3 | |
| 25 | 8 | 725 2491-51 | •Screw | •Vis | 3 | M10X20 |
| 26 | 8 | 734 1173-09 | •Washer | •Rondelle | 3 | BRB 10,5X21 |
| 27 | 1 | 471 8551-04 | •Sleeve | •Manchon | 1 | |
| 28 | 1 | 472 6909-01 | •Pulley | •Poulie | 1 | |
| 29 | 1 | 471 8552-00 | •Bushing | •Douille | 1 | |
| 30 | 12 | 725 2632-51 | •Screw | •Vis | 3 | M16X60 |
| 31 | 12 | 734 1186-01 | •Washer | •Rondelle | 3 | BRB 17X30 |
| 32 | 1 | 472 6910-01 | •End piece | •Pignon | 1 | FRONT |
| 33 | 1 | 471 8155-02 | •Gasket | •Bande de garniture | 1 | |
| 34 | 1 | 472 6917-01 | •End piece | •Pignon | 3 | FRONT |
| 35 | 1 | 472 6924-01 | •Front panel | •Panneau avant | 3 | |
| 36 | 1 | 471 2426-54 | •Rubber strip | •Joint caoutchouc | 1 | |
| 37 | 8 | 725 2451-42 | •Screw | •Vis | 3 | M8X20 -82/1010 |
| | 8 | 725 6491-42 | •Screw | •Vis | 3 | M10X20 82/1011- |
| 38 | 16 | 734 1164-09 | •Washer | •Rondelle | 3 | BRB 8,4X17 |
| 39 | 12 | 725 2636-51 | •Screw | •Vis | 3 | M16X80 |
| 40 | 12 | 734 1186-01 | •Washer | •Rondelle | 3 | BRB 17X30 |
| 41 | 1 | 471 8625-02 | •Pipe | •Tube | 3 | |
| 42 | 2 | 471 4605-30 | •Clamp | •Attache | 3 | |
| 43 | 2 | 725 2325-51 | •Screw | •Vis | 3 | M5X10 |



101465

| Issue | Month | Year |
|-------|-------|------|
| 02 | 01 | 98 |

EX-200

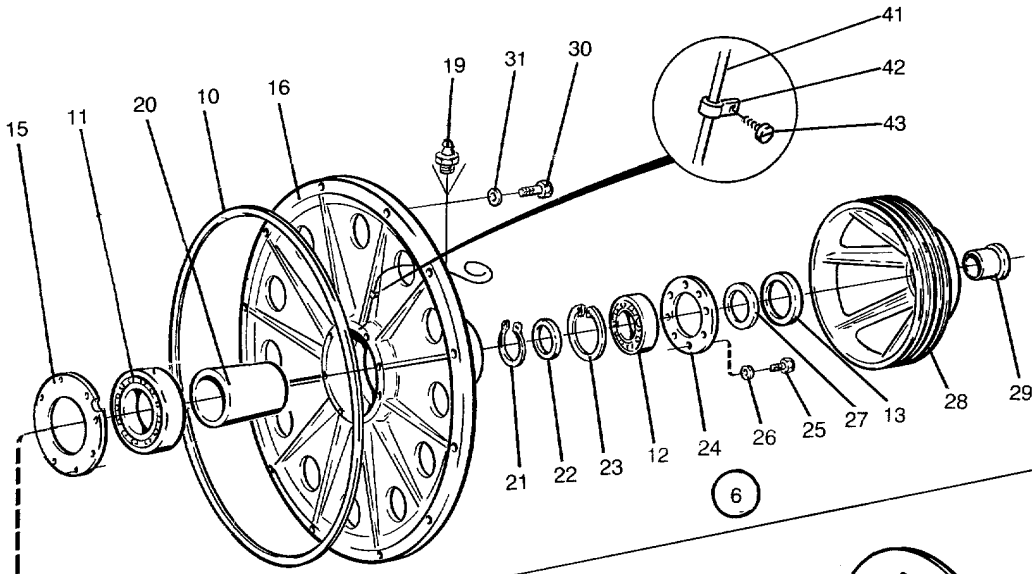
Control panel

Pignon arrière avec tambour intérieur

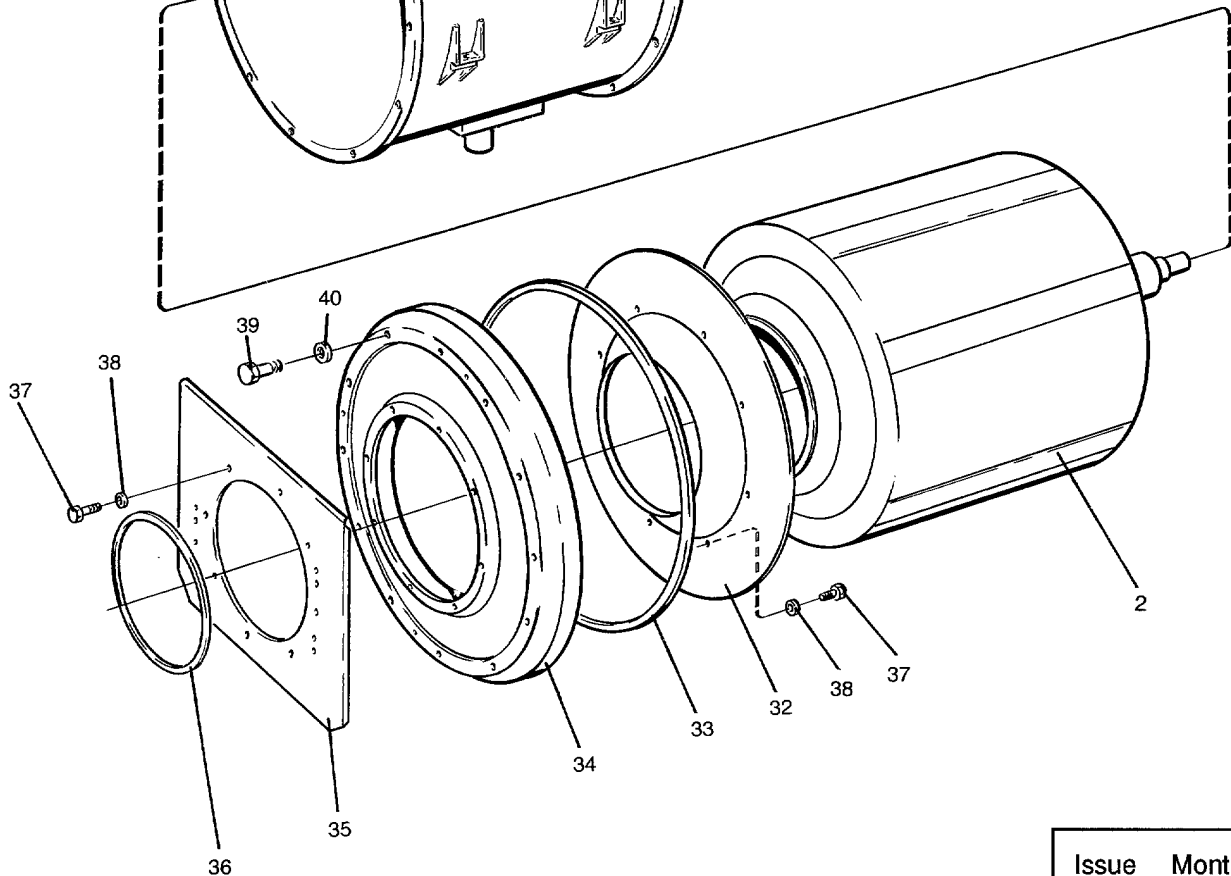
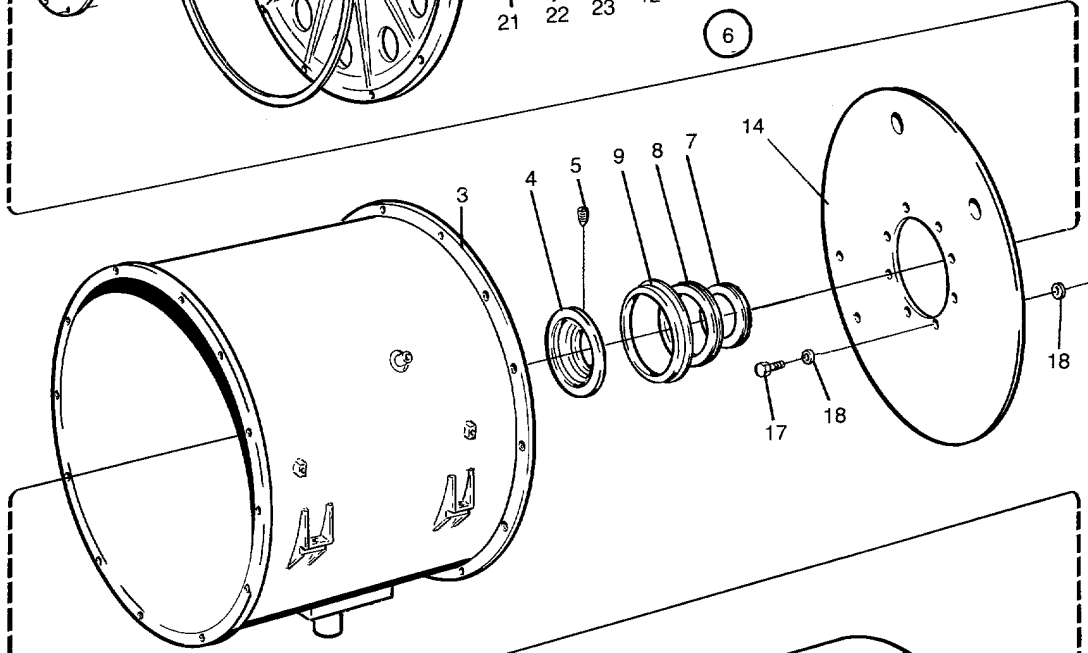
Illustration Issue Month Year
Schéma Issue Month Year
101465 1 3 1997

| Item Article | Qua Qua | Art.No Réf. article | Description | Description | Info Info | Notes Remarques |
|-----------------|------------|------------------------|-------------------|----------------------------------|--------------|-----------------------|
| 1 | 1 | 471 4782-79 | Control panel | Pupitre de commande | 3 | Non-heated |
| | 1 | 471 4782-39 | Control panel | Pupitre de commande | 3 | Black NON-HEATED,USA |
| | 1 | 471 4782-81 | Control panel | Pupitre de commande | 3 | HEATED |
| | 1 | 471 4782-85 | Control panel | Pupitre de commande | 3 | Red HEATED |
| 2 | 1 | 471 4527-70 | User instructions | Instruction de fonctionnement | 3 | SILVER SYMBOLS |
| | 1 | 471 4527-78 | User instructions | Instruction de fonctionnement | 3 | ENGLISH, SILVER USA |
| | 1 | 471 4722-03 | User instructions | Instruction de fonctionnement | 3 | English Nyborg |
| 3 | 7 | 472 6079-00 | Grommet | Oeillet | 3 | French |
| 4 | 1 | 471 4705-02 | Frame | Châssis | 3 | |
| 5 | 1 | | Card programmer | Programmateur cartes | | 50Hz See group US8337 |
| 6 | 1 | 471 8955-01 | Program card | Carte programme | 1,2 | 80 STEPS |
| | 1 | 471 9219-16 | Program card | Carte programme | 1,2 | 120 STEPS |
| 7 | 1 | 471 6654-10 | Pin | Goupille | 1 | SET OF 10 PCS |
| 8 | 1 | 471 8961-01 | Pliers | Pince | 1 | |
| 9 | 1 | 471 8810-02 | Thermometer | Thermomètre | 1,2 | |
| 10 | 2 | 471 8804-02 | Thermostat | Thermostat | 1,2 | |
| 11 | 4 | 471 8341-11 | Screw | Vis | 3 | MRT 4X6 |
| 12 | 2 | 471 8804-71 | Scale | Échelle | 1 | |
| 13 | 2 | 471 8804-51 | Handwheel | Bouton | 1 | |
| 14 | 1 | 471 9628-18 | Emergency stop | Arrêt d'urgence | 1 | |
| 15 | 1 | 471 9628-95 | Socket | Bloc de connexion | 1 | |
| 16 | 1 | 471 9628-08 | Lamp | Ampoule | 1 | 230V |

1



6



| Issue | Month | Year |
|-------|-------|------|
| 01 | 05 | 88 |

EX-200,EX-200 HI-TEK

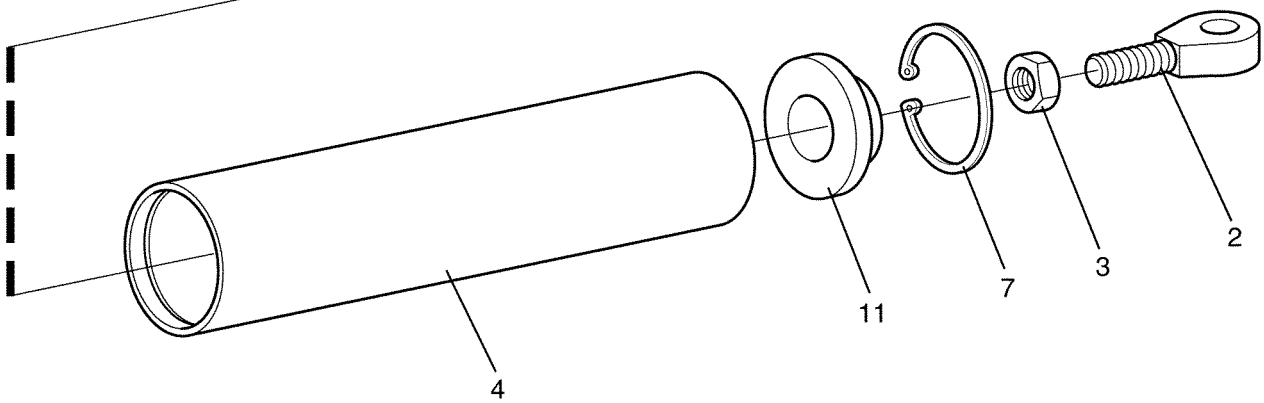
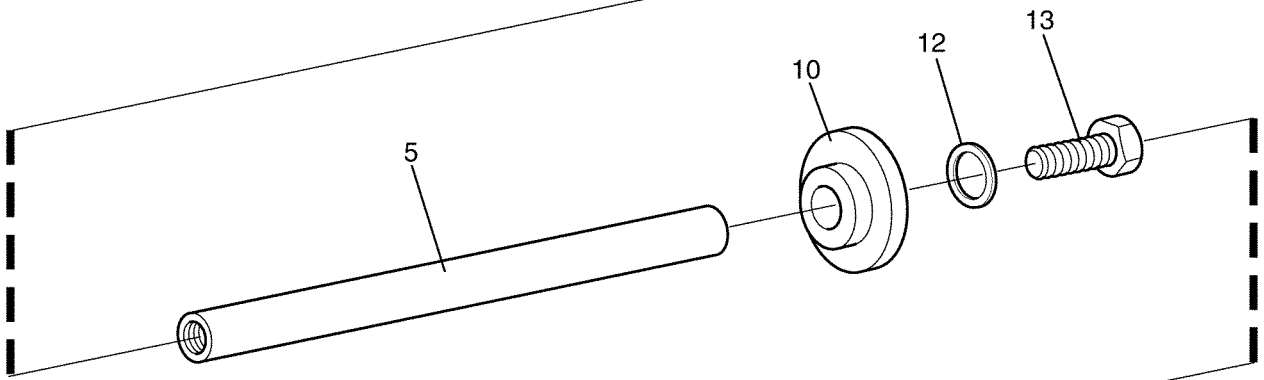
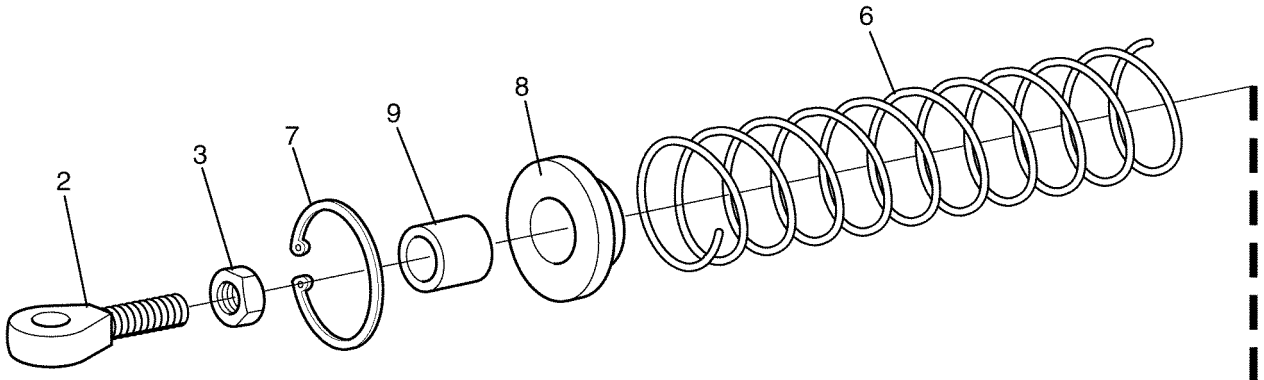
Inner and outer drum complete

Tambour intérieur et extérieur complet

| | | | |
|---------------|----------|----------|-------------|
| Illustration | Issue | Month | Year |
| Schéma | Issue | Month | Year |
| 100421 | 1 | 5 | 1988 |

| Item Article | Qua Qua | Art.No Réf. article | Description | Description | Info Info | Notes Remarques |
|-----------------|------------|------------------------|-------------|-------------|--------------|--------------------|
| | | | | | | |

1



| Issue | Month | Year |
|-------|-------|------|
| 02 | 11 | 98 |

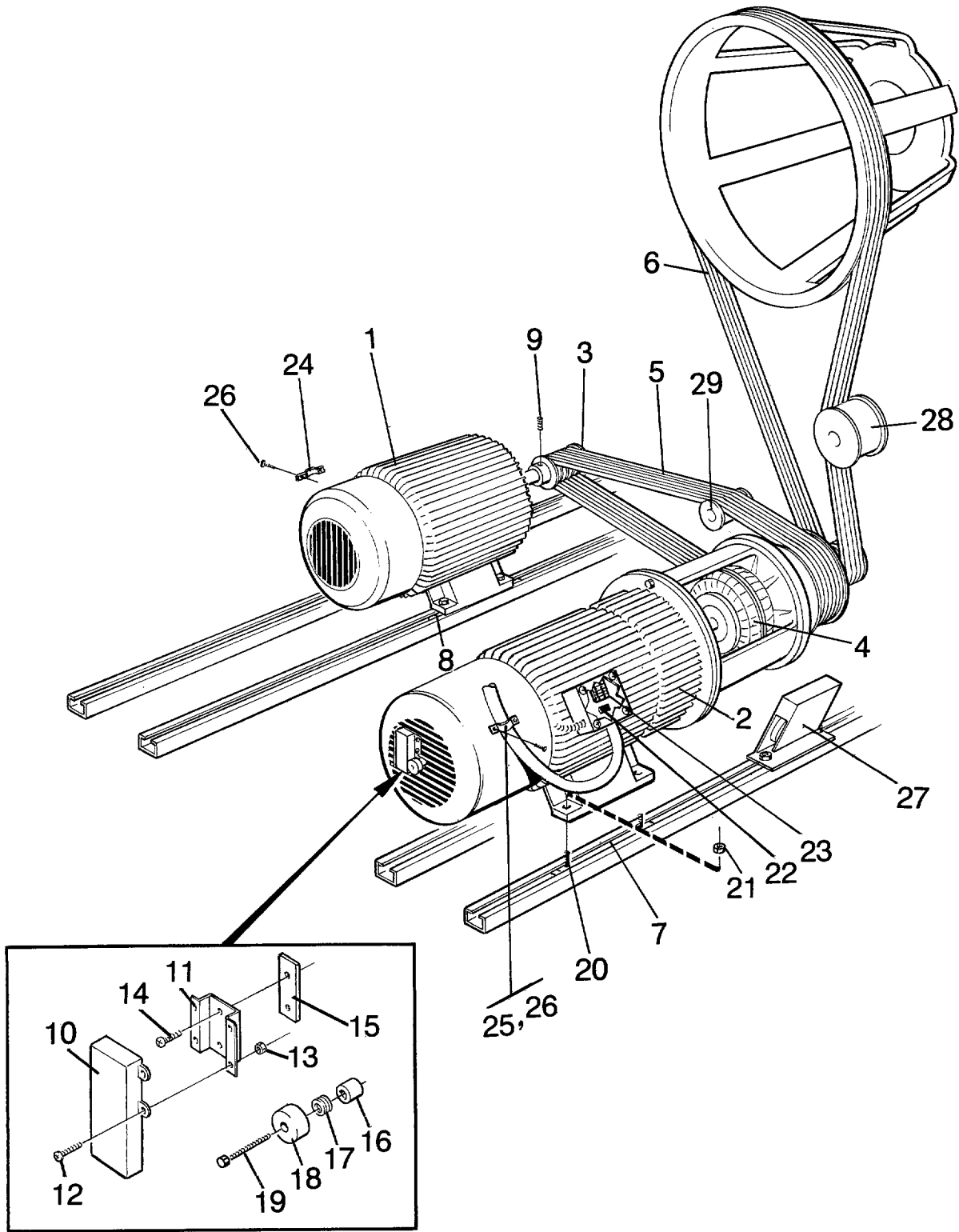
EX-200,EX-200 HI-TEK

Suspension

Pied à ressorts

Illustration Issue Month Year
Schéma Issue Month Year
100423/1 1 5 1988

| Item Article | Qua Qua | Art.No Réf. article | Description | Description | Info Info | Notes Remarques |
|-----------------|------------|------------------------|--------------|------------------|--------------|--------------------|
| 1 | 1 | 471 4108-79 | Spring strut | Pied à ressorts | 1 | Complete |
| 2 | 2 | 471 9224-60 | •Link head | •Tête de liaison | 1 | |
| 3 | 2 | 731 2324-01 | •Nut | •Écrou | 3 | M16 |
| 4 | 1 | 471 4310-94 | •Cylinder | •Cylindre | 3 | |
| 5 | 1 | 471 4310-95 | •Shaft | •Arbre | 3 | |
| 6 | 1 | 471 4309-56 | •Spring | •Ressort | 1 | |
| 7 | 2 | 735 3154-11 | •C-clamp | •Presse à main | 3 | SGH75 |
| 8 | 1 | 471 4640-71 | •End piece | •Pignon | 3 | |
| 9 | 1 | 471 9228-49 | •Bearing | •Coussinet | 1 | |
| 10 | 1 | 471 4640-73 | •Guide | •Guide | 3 | |
| 11 | 1 | 471 4640-72 | •End piece | •Pignon | 3 | |
| 12 | 1 | 471 9018-59 | •Washer | •Rondelle | 3 | |
| 13 | 1 | 725 2624-51 | •Screw | •Vis | 3 | M16X30 |



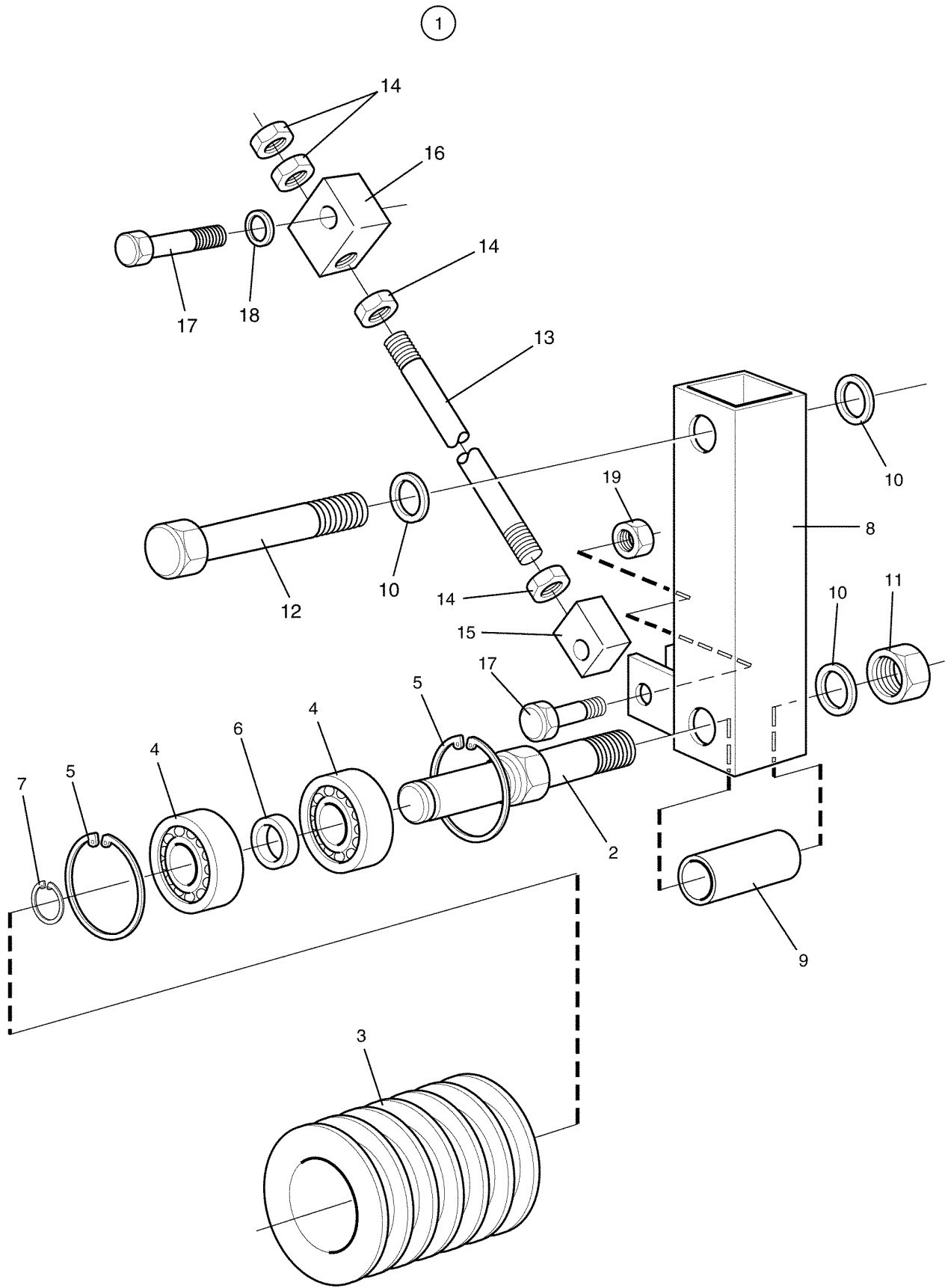
EX-200,EX-200 HI-TEK

Motors

Moteurs

Illustration Issue Month Year
Schéma Issue Month Year
100424 2 9 1991

| Item Article | Qua Qua | Art.No Réf. article | Description | Description | Info Info | Notes Remarques |
|-----------------|------------|------------------------|---------------------|-----------------------|--------------|--------------------------|
| 1 | 1 | 471 9228-37 | Motor | Moteur | 1,2 | 220V 3~50Hz |
| | 1 | 471 9223-93 | Motor | Moteur | 1,2 | 380-415V 3N~50Hz |
| | 1 | 471 9228-38 | Motor | Moteur | 1,2 | 208-240V 3AC 60Hz |
| | 1 | 471 9737-02 | Motor | Moteur | 1,2 | 380V 60Hz, |
| 2 | 1 | 471 9228-39 | Motor | Moteur | 1,2 | 220V 3~50Hz |
| | 1 | 471 9223-94 | Motor | Moteur | 1,2 | 380-415V 3N~50Hz |
| | 1 | 471 9228-40 | Motor | Moteur | 1,2 | 208-240V 3AC 60Hz |
| | 1 | 471 9737-01 | Motor | Moteur | 1,2 | 380V 60Hz, |
| 3 | 1 | 471 4231-01 | Pulley | Poulie | 1 | |
| 4 | 1 | 472 6914-01 | Connection | Embrayage | | 50Hz -85/1180 |
| | 1 | 472 6914-02 | Connection | Embrayage | | 60Hz -85/1180 |
| | 1 | 472 6914-03 | Clutch | Connexion | | 50Hz 85/1181- |
| | 1 | 472 6914-04 | Clutch | Connexion | | 60Hz 85/1181- |
| 5 | 1 | 471 7701-50 | V-belt | Courroie trapézoïdale | 1,2 | |
| 6 | 1 | 471 7702-50 | V-belt | Courroie trapézoïdale | 1,2 | |
| 7 | 2 | 471 4225-01 | Motor mounting | Montage du moteur | 3 | |
| 8 | 2 | 471 4225-02 | Motor mounting | Montage du moteur | 3 | |
| 9 | 1 | 728 8489-01 | Screw | Vis | 3 | SK6SS M10X16 |
| 10 | 1 | 471 9578-12 | Speed control | Contrôle vitesse | 1,2 | |
| | 1 | 471 9578-13 | Speed control | Contrôle vitesse | 1,2 | |
| 11 | 1 | 472 6939-01 | Bracket | Support de montage | 3 | |
| 12 | 4 | 724 1289-01 | Screw | Vis | 3 | M4X10 |
| 13 | 4 | 732 2112-01 | Locking nut | Contre-écrou | 3 | M4 |
| 14 | 2 | 724 1323-01 | Screw | Vis | 3 | M5X8 |
| 15 | 1 | 472 6940-01 | Washer | Rondelle | 3 | |
| 16 | 1 | 471 4227-01 | Spacer | Entretoise | 3 | |
| 17 | RQ | 734 1164-01 | Washer | Rondelle | 3 | 8,4X17 |
| 18 | 1 | 471 9578-50 | Magnet | Aimant | 1,2 | |
| 19 | 1 | 725 2463-51 | Screw | Vis | 3 | M8X60 |
| 20 | 8 | 725 2634-51 | Screw | Vis | 1 | M16X70 |
| 21 | 8 | 732 2124-01 | Locking nut | Contre-écrou | 1 | M16 |
| 22 | 1 | 762 7412-57 | Terminal connection | Bloc de connexion | 1 | |
| 23 | 2 | 762 7202-57 | Terminal connection | Bloc de connexion | 1 | 2-pole |
| 24 | 1 | 471 9004-75 | Bracket | Support de montage | 3 | |
| 25 | 1 | 471 9004-75 | Bracket | Support de montage | 3 | |
| 26 | 4 | 729 9342-61 | Screw | Vis | 3 | 4,2X13 |
| 27 | 1 | 472 7946-01 | Switch | Commutateur | 1,2 | Complete 85/1181- |
| 28 | 1 | 472 6902-02 | Belt tensioner | Tendeur de courroie | 1 | 50Hz See illustr. 100426 |
| | 1 | 472 6902-03 | Belt tensioner | Tendeur de courroie | 1 | 60Hz See illustr. 100426 |
| 29 | 1 | 472 6902-01 | Belt tensioner | Tendeur de courroie | 1 | See illustr. 100425 |



EX-200,EX-200 HI-TEK

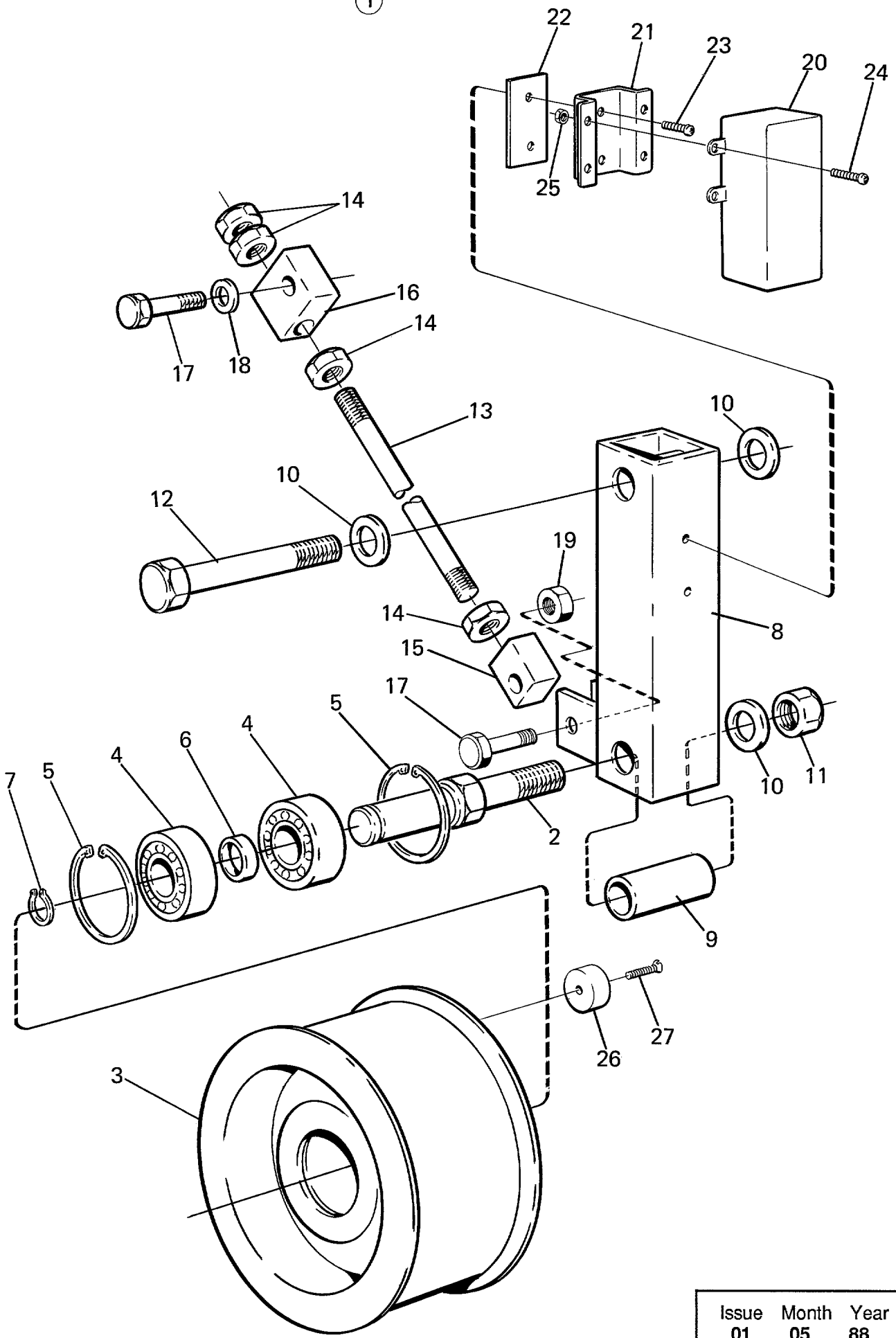
Belt tensioner wash

Tendeur de courroie de lavage

Illustration Issue Month Year
Schéma Issue Month Year
100425/1 1 5 1988

| Item Article | Qua Qua | Art.No Réf. article | Description | Description | Info Info | Notes Remarques |
|-----------------|------------|------------------------|----------------|---------------------|--------------|--------------------|
| 1 | 1 | 472 6902-01 | Belt tensioner | Tendeur de courroie | 1 | Complete |
| 2 | 1 | 472 6903-01 | •Shaft | •Arbre | 3 | |
| 3 | 1 | 471 4232-01 | •Pulley | •Poulie | 1 | |
| 4 | 2 | 738 2104-03 | •Bearing | •Coussinet | 1 | |
| 5 | 2 | 735 3138-10 | •Circlip | •Attache en forme C | 3 | SGH42 -88/1436 |
| | 1 | 735 3138-10 | •Circlip | •Attache en forme C | 3 | SGH42 88/1437- |
| 6 | 1 | 471 4634-37 | •Spacer | •Entretoise | 3 | |
| 7 | 1 | 735 3122-00 | •C-clamp | •Presse à main | 3 | SGA20 |
| 8 | 1 | 472 6904-01 | •Arm | •Bras | 3 | 50Hz |
| 9 | 2 | 472 6907-01 | •Spacer | •Entretoise | 3 | |
| 10 | 4 | 734 1186-01 | •Washer | •Rondelle | 3 | BRB 17X30 |
| 11 | 1 | 732 2124-01 | •Locking nut | •Contre-écrou | 3 | M16 |
| 12 | 1 | 725 2640-51 | •Screw | •Vis | 3 | M16X100 |
| 13 | 1 | 471 2277-92 | •Screw | •Vis | 3 | |
| 14 | 4 | 731 2320-01 | •Nut | •Écrou | 3 | M10 |
| 15 | 1 | 471 2277-91 | •Bracket | •Support de montage | 3 | |
| 16 | 1 | 471 2277-86 | •Bracket | •Support de montage | 3 | |
| 17 | 2 | 725 2497-51 | •Screw | •Vis | 3 | M10X35 |
| 18 | 1 | 734 1173-01 | •Washer | •Rondelle | 3 | BRB 10,5X21 |
| 19 | 1 | 731 2120-01 | •Nut | •Écrou | 3 | M10 |

①



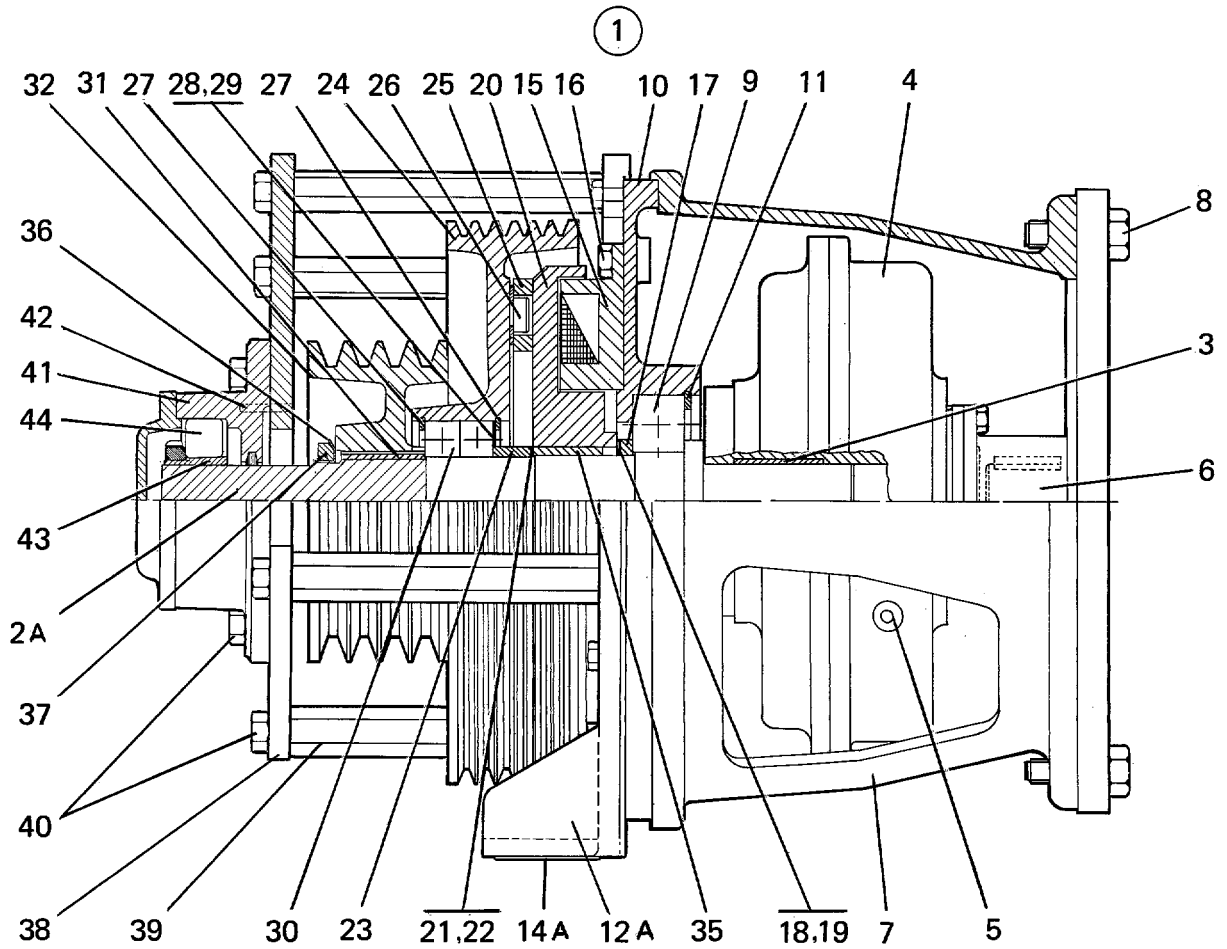
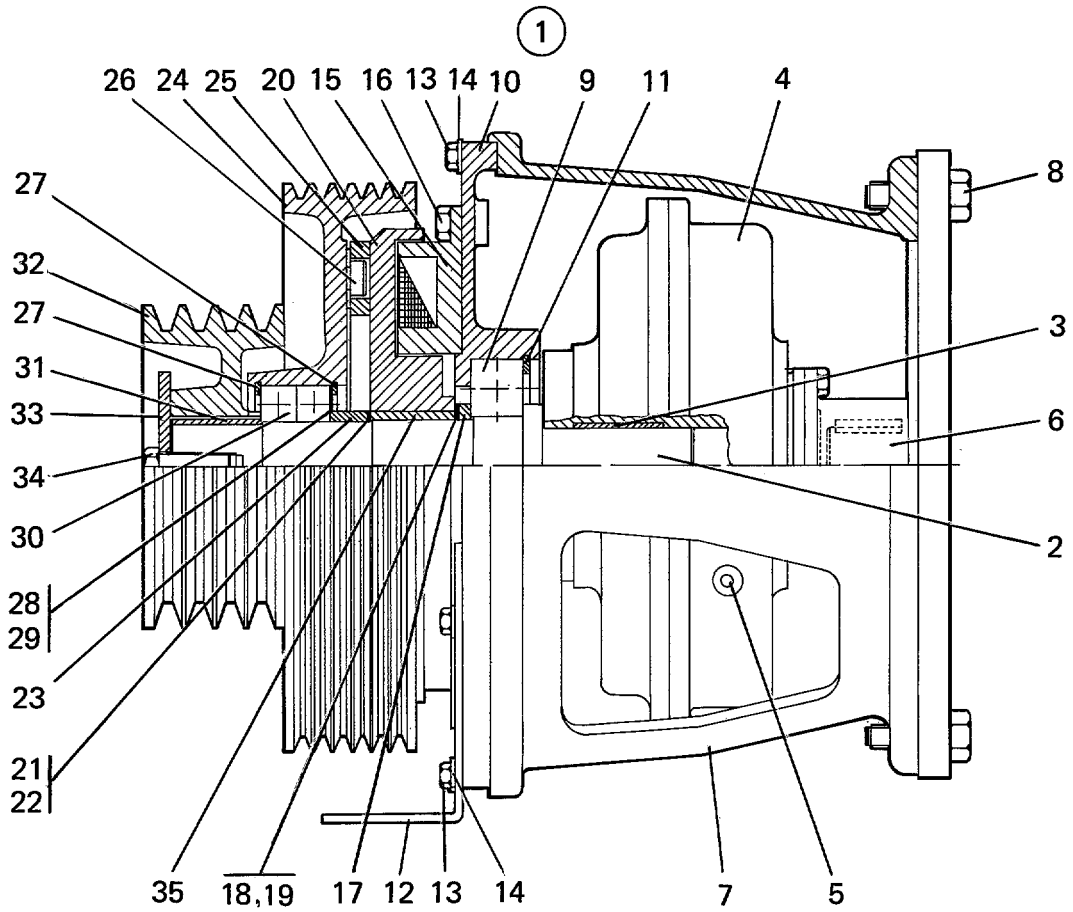
EX-200,EX-200 HI-TEK

Belt tensioner centrifugal

Tendeur de courroie essorage

Illustration Issue Month Year
Schéma Issue Month Year
100426 1 5 1988

| Item Article | Qua Qua | Art.No Réf. article | Description | Description | Info Info | Notes Remarques |
|-----------------|------------|------------------------|----------------|---------------------|--------------|--------------------|
| 1 | 1 | 472 6902-02 | Belt tensioner | Tendeur de courroie | 1 | 50Hz Complete |
| | 1 | 472 6902-03 | Belt tensioner | Tendeur de courroie | 1 | 60Hz Complete |
| 2 | 1 | 472 6903-01 | •Shaft | •Arbre | 3 | |
| 3 | 1 | 471 4234-01 | •Pulley | •Poulie | 1 | |
| 4 | 2 | 738 2304-33 | •Ball bearing | •Roulement à billes | 1 | |
| 5 | 2 | 735 3143-10 | •C-clamp | •Presse à main | 3 | SGH52 |
| 6 | 1 | 471 4634-36 | •Spacer | •Entretoise | 3 | |
| 7 | 1 | 735 3122-00 | •C-clamp | •Presse à main | 3 | SGA20 |
| 8 | 1 | 472 6904-01 | •Arm | •Bras | 3 | 50Hz |
| | 1 | 472 6904-02 | •Arm | •Bras | 3 | 60Hz |
| 9 | 2 | 472 6907-01 | •Spacer | •Entretoise | 3 | |
| 10 | 4 | 734 1186-01 | •Washer | •Rondelle | 3 | BRB 17X30 |
| 11 | 1 | 732 2124-01 | •Locking nut | •Contre-écrou | 3 | M16 |
| 12 | 1 | 725 2640-51 | •Screw | •Vis | 3 | M16X100 |
| 13 | 1 | 471 2277-92 | •Screw | •Vis | 3 | |
| 14 | 4 | 731 2320-01 | •Nut | •Écrou | 3 | M10 |
| 15 | 1 | 471 2277-91 | •Bracket | •Support de montage | 3 | |
| 16 | 1 | 471 2277-86 | •Bracket | •Support de montage | 3 | |
| 17 | 2 | 725 2497-51 | •Screw | •Vis | 3 | M10X35 |
| 18 | 1 | 734 1173-01 | •Washer | •Rondelle | 3 | BRB 10,5X21 |
| 19 | 1 | 731 2120-01 | •Nut | •Écrou | 3 | M10 |
| 20 | 1 | 471 9578-12 | Speed control | Contrôle vitesse | 1,2 | WITH MOTORBRAKE |
| | 1 | 471 9578-13 | Speed control | Contrôle vitesse | 1,2 | |
| 21 | 1 | 472 6939-01 | Bracket | Support de montage | 3 | |
| 22 | 1 | 472 6940-01 | Washer | Rondelle | 3 | |
| 23 | 2 | 724 1323-01 | Screw | Vis | 3 | M5X8 |
| 24 | 4 | 724 1289-42 | Screw | Vis | 3 | M4X10 |
| 25 | 4 | 732 2112-01 | Locking nut | Contre-écrou | 3 | M4 |
| 26 | 2 | 471 9202-12 | Magnet | Aimant | 1,2 | Blue |
| 27 | 1 | 724 3295-61 | Screw | Vis | 3 | M4X20 |



| Issue | Month | Year |
|-------|-------|------|
| 02 | 04 | 90 |

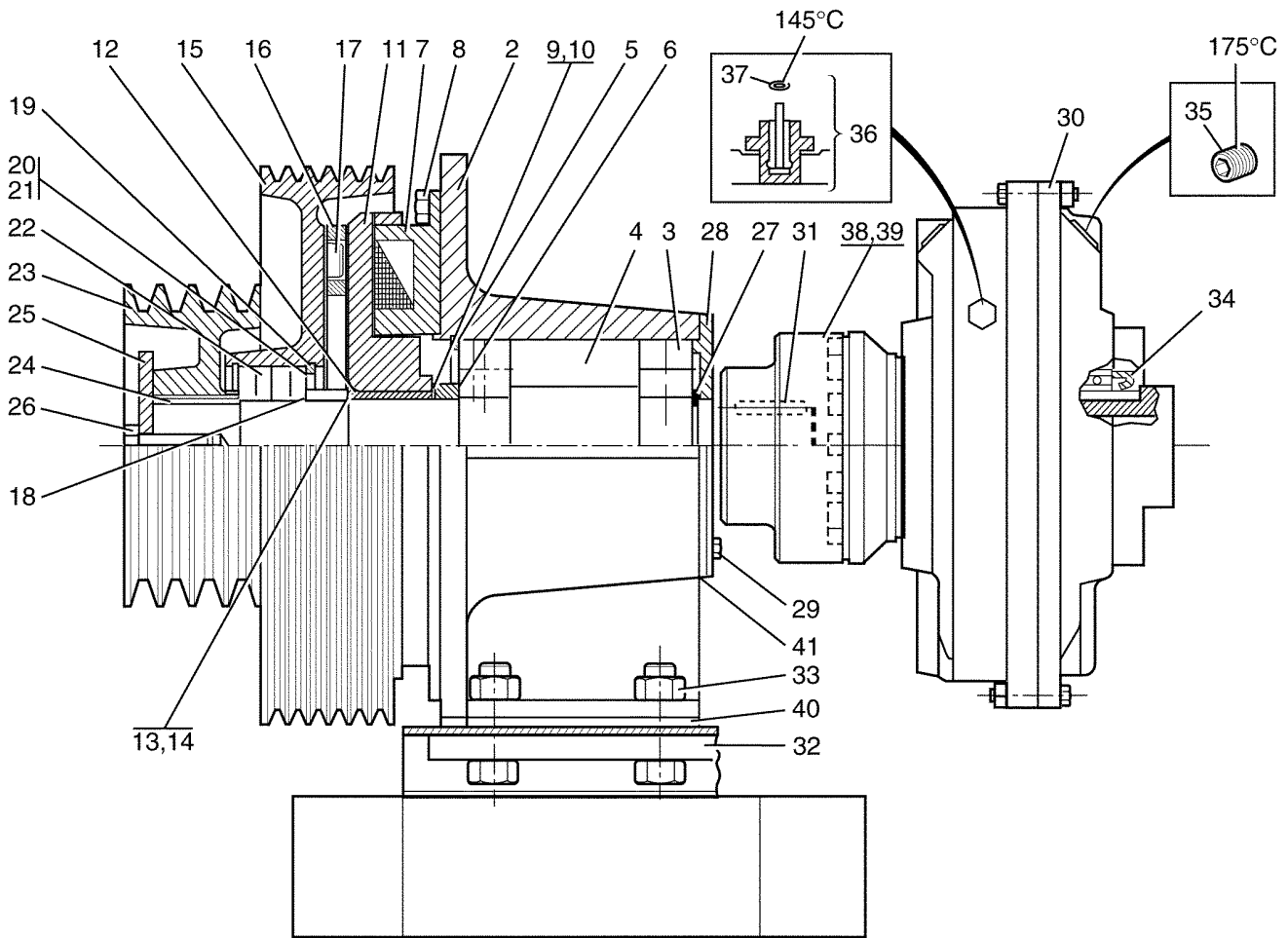
EX-200 -85/1180,EX-200 HI-TEK -85/1180

**Clutch
Connexion**

Illustration Issue Month Year
Schéma Issue Month Year
100431 3 9 1991

| Item Article | Qua Qua | Art.No Réf. article | Description | Description | Info Info | Notes Remarques |
|-----------------|------------|------------------------|-----------------|---------------------|--------------|--|
| 1 | | 472 6914-01 | Connection | Embrayage | 1 | 50Hz Complete |
| | | 472 6914-02 | Connection | Embrayage | 1 | 60Hz Complete |
| 2 | 1 | 471 4237-01 | •Shaft | •Arbre | 3 | |
| 3 | 1 | 735 9435-01 | •Wedge | •Poulie courroie V | 3 | |
| 4 | 1 | 471 9557-01 | •Connection | •Embrayage | 1 | |
| 5 | 1 | 471 8775-02 | •Fuse | •Porte-fusible | 1,2 | 145°C |
| 6 | 1 | 472 6915-01 | •Disc | •Disque | 3 | |
| 7 | 1 | 472 6912-01 | •Housing | •Logement | 3 | |
| 8 | 4 | 725 2628-51 | •Screw | •Vis | 3 | M16X40 |
| 9 | 1 | | •Ball bearing | •Roulement à billes | 1 | |
| 10 | 1 | 471 4238-02 | •Cover | •Couvercle | 3 | |
| 11 | 1 | 735 3171-10 | •C-clamp | •Presse à main | 3 | SGH120 |
| 12 | 1 | 472 6913-01 | •Bracket | •Support de montage | 3 | |
| 13 | 6 | 725 2459-51 | •Screw | •Vis | 3 | M8X40 |
| 14 | 6 | 734 1164-01 | •Washer | •Rondelle | 3 | 8,4X17 |
| 15 | 1 | 471 9552-13 | •Magnet | •Aimant | 1,2 | |
| 16 | 4 | 725 2491-51 | •Screw | •Vis | 3 | M10X20 |
| 17 | 1 | 471 4633-87 | •Spacer | •Entretoise | 3 | |
| 18 | 4 | 471 8519-03 | •Washer | •Rondelle | 3 | |
| 19 | 4 | 471 8519-04 | •Washer | •Rondelle | 3 | |
| 20 | 1 | 471 9552-12 | •Rotor | •Rotor | 1,2 | |
| 21 | 4 | 471 8519-03 | •Washer | •Rondelle | 3 | |
| 22 | 4 | 471 8519-06 | •Washer | •Rondelle | 3 | |
| 23 | 1 | 471 4633-86 | •Spacer | •Entretoise | 3 | |
| 24 | 1 | 471 4235-01 | •Pulley | •Poulie | 3 | |
| 25 | 1 | 471 9552-11 | •Pressure plate | •Plaque de pression | 1 | |
| 26 | 4 | 471 8319-01 | •Screw | •Vis | 3 | M12X25 |
| 27 | 2 | 735 3160-10 | •C-clamp | •Presse à main | 3 | SGH90 |
| 28 | 3 | 471 8519-01 | •Washer | •Rondelle | 3 | |
| 29 | 3 | 471 8519-02 | •Washer | •Rondelle | 3 | |
| 30 | 2 | | •Ball bearing | •Roulement à billes | 1 | |
| 31 | 1 | 471 9219-52 | •Wedge | •Poulie courroie V | 3 | |
| 32 | 1 | 471 4233-01 | •Pulley | •Poulie | 3 | 50Hz |
| | 1 | 471 4230-01 | •Pulley | •Poulie | 1 | 60Hz |
| 33 | 1 | 471 4633-90 | •Washer | •Rondelle | 3 | |
| 34 | 1 | 471 9076-01 | •Wedge | •Poulie courroie V | 3 | M12X40 |
| 35 | 1 | 735 9561-00 | •Wedge | •Poulie courroie V | 3 | |
| | RQ | 874 6611-01 | Hydraulic fluid | Huile hydraulique | 1,2 | 1,9L SHELL TEGULA 32 BP ENERGOL HLP 65 ESSO TERESSO N45 ARAL HTV |

1



100432

| Issue | Month | Year |
|-------|-------|------|
| 02 | 05 | 99 |

EX-200 85/1181-,EX-200 HI-TEK 85/1181-

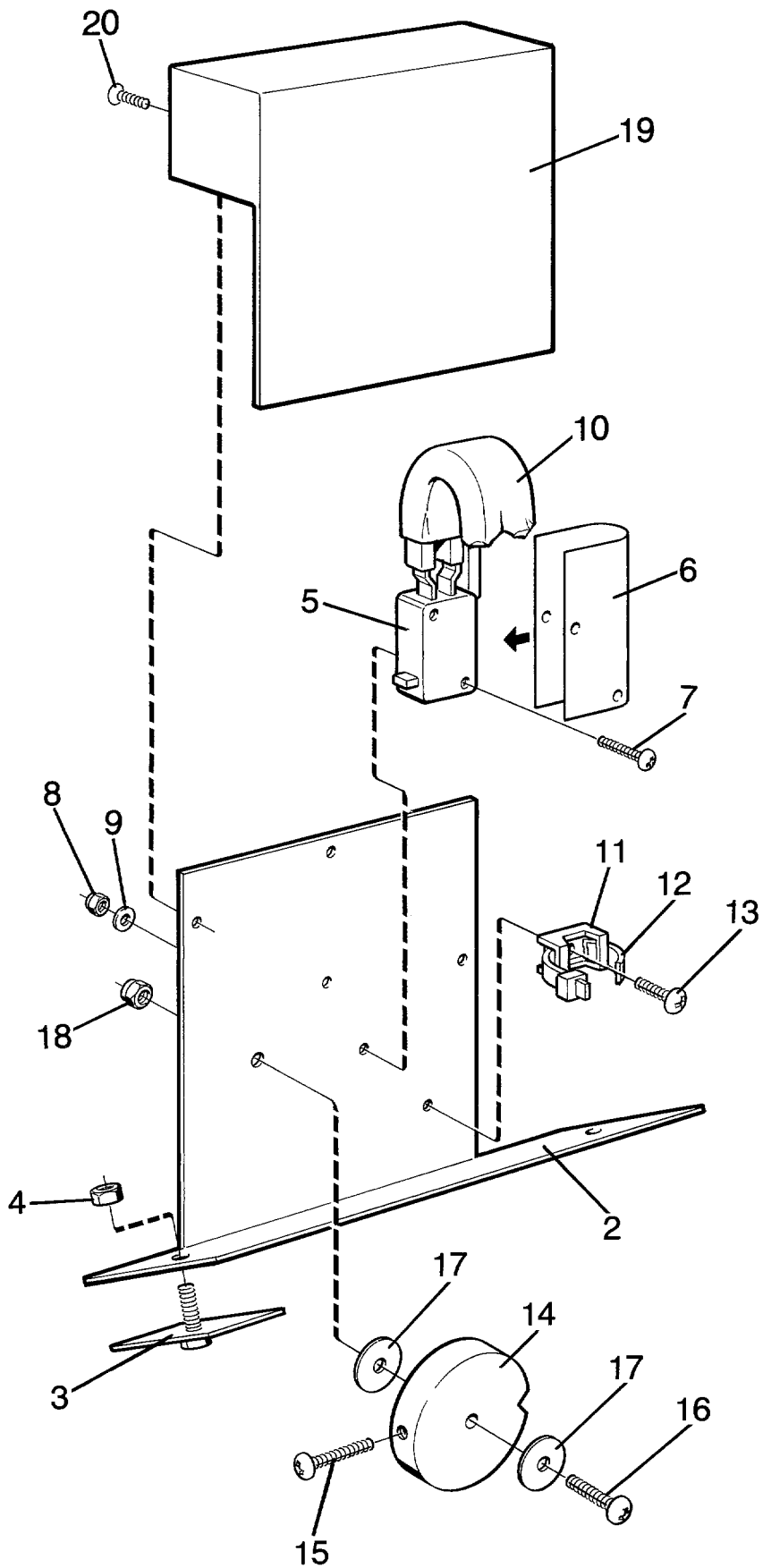
Clutch

Connexion

Illustration Issue Month Year
Schéma Issue Month Year
100432/1 3 3 1993

| Item Article | Qua Qua | Art.No Réf. article | Description | Description | Info Info | Notes Remarques |
|-----------------|------------|------------------------|------------------|---------------------|--------------|----------------------|
| 1 | 1 | 472 6914-03 | Clutch | Connexion | 1 | 50Hz Complete |
| | 1 | 472 6914-04 | Clutch | Connexion | 1 | 60Hz Complete |
| 2 | 1 | 472 6892-01 | •Bearing housing | •Logement de palier | 3 | |
| 3 | 2 | 738 2311-34 | •Ball bearing | •Roulement à billes | 1 | |
| 4 | 1 | 471 4237-03 | •Shaft | •Arbre | 1 | |
| 5 | 1 | 735 3171-10 | •C-clamp | •Presse à main | | SGH120 |
| 6 | 1 | 472 6893-01 | •Spacer | •Entretoise | 1 | |
| 7 | 1 | 471 9552-13 | •Magnet | •Aimant | 1,2 | |
| 8 | 4 | 725 2491-51 | •Screw | •Vis | 1 | M10X20 |
| 9 | 4 | 471 8519-03 | •Washer | •Rondelle | 1 | |
| 10 | 4 | 471 8519-04 | •Washer | •Rondelle | 1 | |
| 11 | 1 | 471 9552-12 | •Rotor | •Rotor | 1,2 | |
| 12 | 1 | 735 9561-00 | •Wedge | •Poulie courroie V | 1 | |
| 13 | 4 | 471 8519-05 | •Washer | •Rondelle | 1 | |
| 14 | 4 | 471 8519-06 | •Washer | •Rondelle | 1 | |
| 15 | 1 | 471 4235-01 | •Pulley | •Poulie | 1 | |
| 16 | 1 | 471 9552-11 | •Pressure plate | •Plaque de pression | 1,2 | |
| 17 | 4 | 471 8319-01 | •Screw | •Vis | 1 | M12X25 |
| 18 | 1 | 471 4633-86 | •Spacer | •Entretoise | 1 | |
| 19 | 2 | 735 3160-10 | •C-clamp | •Presse à main | 1 | SGH90 |
| 20 | 3 | 471 8519-01 | •Washer | •Rondelle | 1 | |
| 21 | 3 | 471 8519-02 | •Washer | •Rondelle | 1 | |
| 22 | 2 | 738 2210-18 | •Ball bearing | •Roulement à billes | 1,2 | |
| 23 | 1 | 471 4233-01 | •Pulley | •Poulie | 1 | 50Hz |
| | 1 | 471 4230-01 | •Pulley | •Poulie | 1 | 60Hz |
| 24 | 1 | 471 9219-52 | •Wedge | •Poulie courroie V | 1 | |
| 25 | 1 | 471 4633-90 | •Washer | •Rondelle | 1 | |
| 26 | 1 | 725 2540-51 | •Screw | •Vis | 1 | M12X40 |
| 27 | 1 | 735 3144-00 | •C-clamp | •Presse à main | 1 | SgA55 |
| 28 | 1 | 472 6891-01 | •Bearing cover | •Chapeau de palier | 3 | |
| 29 | 6 | 725 2368-51 | •Screw | •Vis | 1 | M6X16 |
| 30 | 1 | 471 9557-02 | •Clutch | •Embrayage | 1 | |
| 31 | 1 | 735 9435-01 | •Wedge | •Poulie courroie V | 1 | |
| 32 | 2 | 471 4225-03 | •Bracket | •Support de montage | 1 | |
| 33 | 6 | 732 2124-01 | •Locking nut | •Contre-écrou | 1 | M16 |
| 34 | 1 | 471 9557-51 | •Gasket kit | •Pochette de joints | 1 | |
| 35 | 1 | 471 8775-03 | •Melt fuse | •Fusible | 1 | 175°C |
| 36 | 1 | 471 8776-01 | •Melt fuse | •Fusible | 1 | |
| 37 | 1 | 471 8775-04 | •Fuse | •Porte-fusible | 1,2 | 145°C |
| 38 | 1 | 471 9557-53 | •Clutch | •Embrayage | 1,2 | |
| 39 | 1 | 471 6696-93 | •Repair kit | •Kit de réparation | 1 | 12 PCS RUBBER SPRING |
| 40 | RQ | 471 9043-01 | Washer | Rondelle | 3 | |
| 41 | RQ | 071 8519-14 | | | 3 | |

1



EX-200 85/1181-,EX-200 HI-TEK 85/1181-

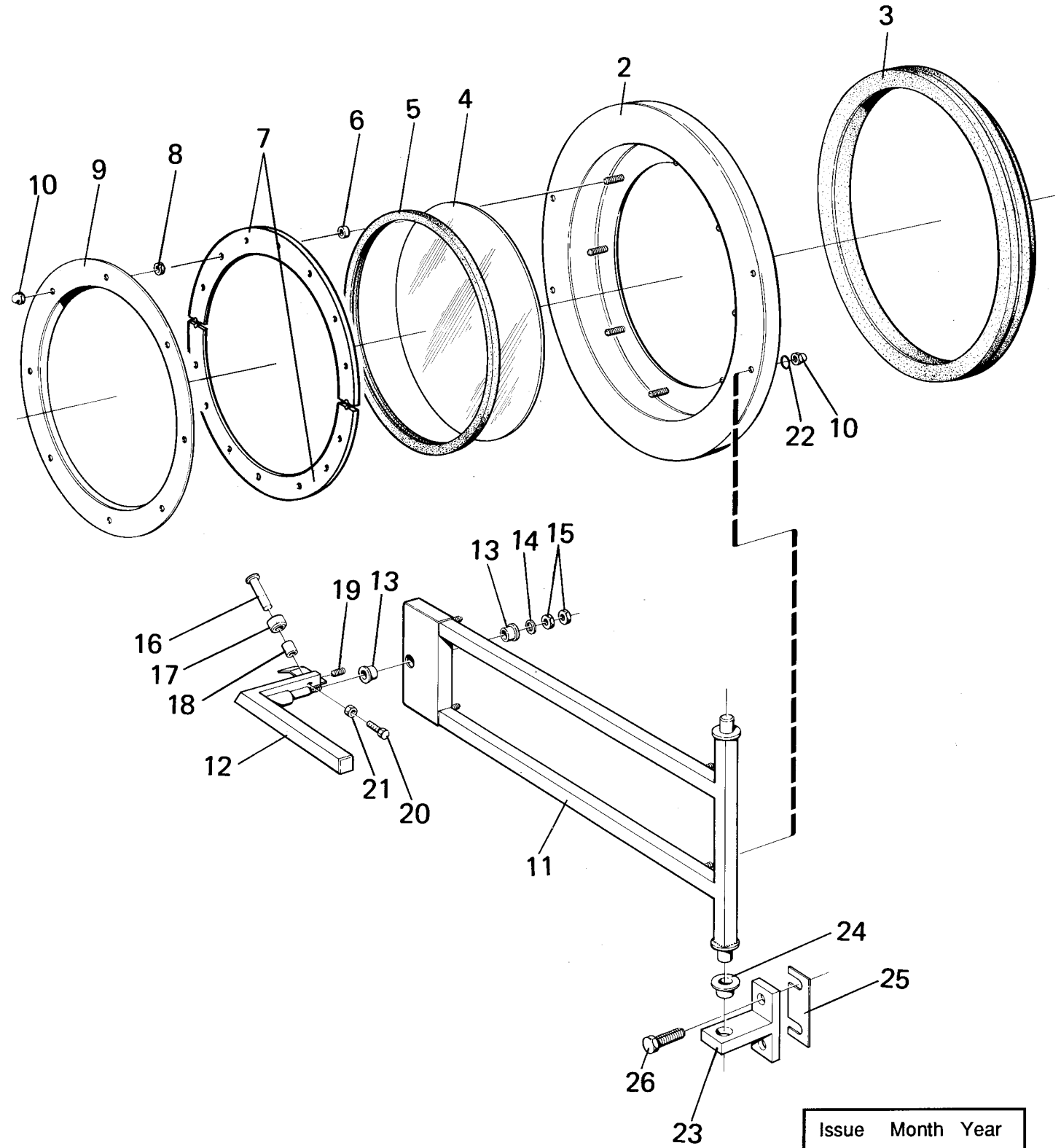
Switch for hydraulic coupling

Commutateur, connexion hydraulique

Illustration Issue Month Year
Schéma Issue Month Year
100433 5 1 2003

| Item Article | Qua Qua | Art.No Réf. article | Description | Description | Info Info | Notes Remarques |
|-----------------|------------|------------------------|---------------|---------------------|--------------|--------------------|
| 1 | 1 | 472 7946-01 | Switch | Commutateur | 1,2 | Complete |
| 2 | 1 | 472 7948-01 | •Plate | •Tableau | 3 | |
| 3 | 2 | 472 7950-01 | •Bracket | •Support de montage | 3 | |
| 4 | 2 | 732 2116-01 | •Locking nut | •Contre-écrou | 3 | M6 |
| * 5 | 1 | 472 9904-86 | •Micro switch | •Micro-interrupteur | 1,2 | |
| 6 | 1 | 472 9764-01 | • | • | 3 | |
| 7 | 2 | 724 1230-01 | •Screw | •Vis | 3 | M3X20 |
| 8 | 2 | 732 2110-01 | •Locking nut | •Contre-écrou | 3 | M3 |
| 9 | 1 | 734 1124-01 | •Washer | •Rondelle | 3 | BRB 3X7 |
| 10 | 1 | 471 4081-12 | •Cable set | •Jeu de câbles | 3 | |
| 11 | 1 | 471 9004-75 | Bracket | Support de montage | 3 | |
| 1 | 1 | 762 9105-05 | •Cable strap | •Serre-câble | 3 | |
| 13 | 1 | 724 1285-01 | •Screw | •Vis | 3 | M4X6 |
| 14 | 1 | 472 7947-01 | •Pulley | •Roue | 3 | |
| 15 | 1 | 725 1299-01 | •Screw | •Vis | 3 | M4X30 |
| 16 | 1 | 724 1295-01 | •Screw | •Vis | 3 | M4X20 |
| 17 | 2 | 734 1808-51 | •Washer | •Rondelle | 3 | NB 5X16 |
| 18 | 1 | 732 2112-01 | •Locking nut | •Contre-écrou | 3 | M4 |
| 19 | 1 | 472 7949-01 | •Cover | •Couvercle | 3 | |
| 20 | 3 | 724 1220-61 | •Screw | •Vis | 3 | M3X6 |

1



100434

| Issue | Month | Year |
|-------|-------|------|
| 02 | 04 | 95 |

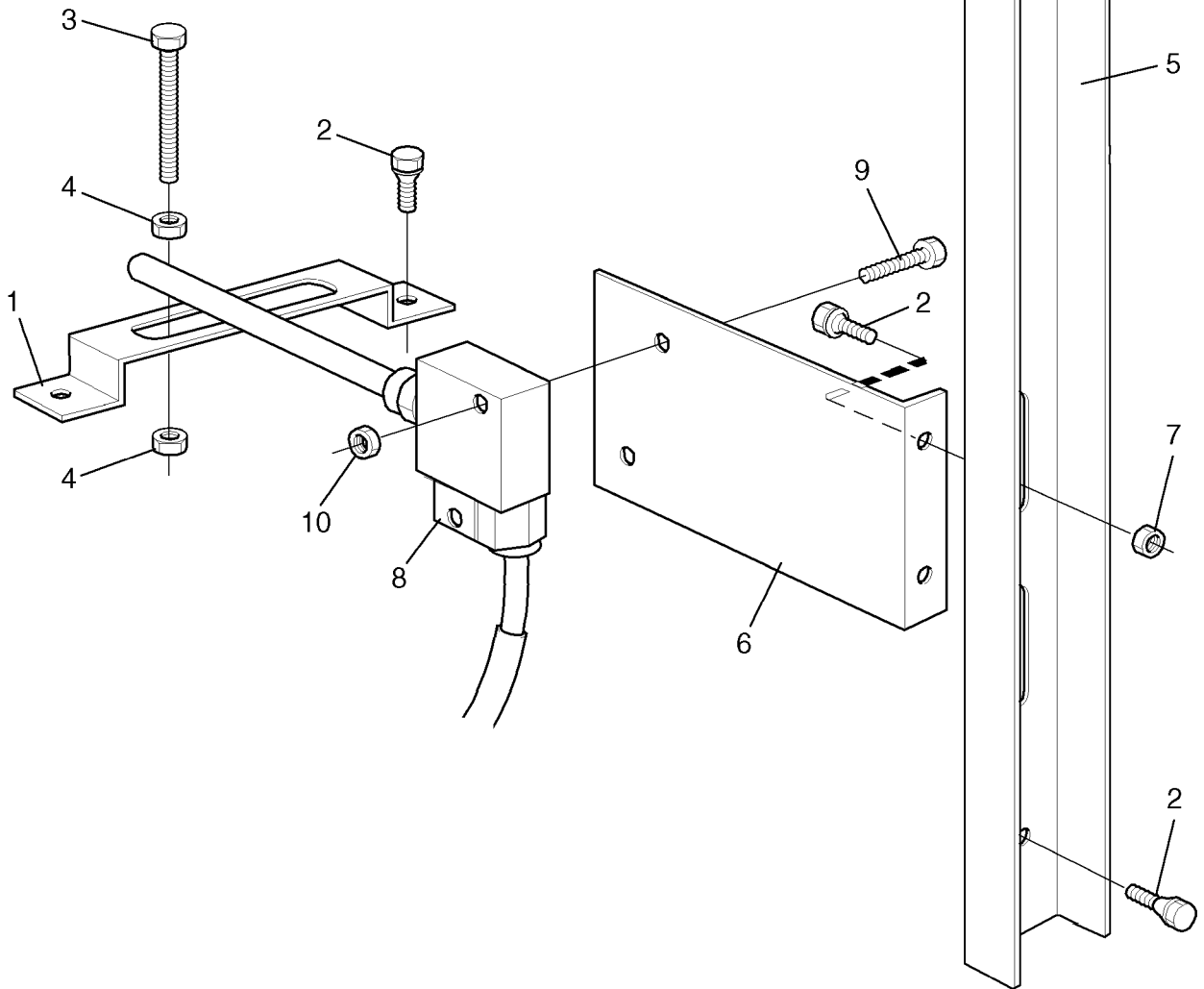
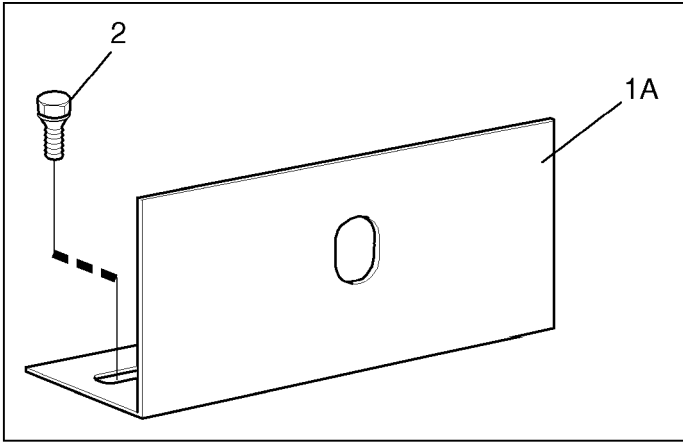
EX-200 85/1181-,EX-200 HI-TEK 85/1181-

Door

Plaque

Illustration Issue Month Year
Schéma Issue Month Year
100434 2 4 1995

| Item Article | Qua Qua | Art.No Réf. article | Description | Description | Info Info | Notes Remarques |
|-----------------|------------|------------------------|--------------|---------------------|--------------|--------------------|
| 1 | 1 | 471 2461-24 | Door | Plaque | 3 | Complete |
| 2 | 1 | 471 5516-00 | •Door ring | •Anneau de la porte | 3 | |
| 3 | 1 | 471 5631-00 | •Door gasket | •Joint de la porte | 1,2 | |
| 4 | 1 | 471 4605-14 | •Door glass | •Vitro de la porte | 1,2 | |
| 5 | 1 | 471 5511-01 | •Seal | •Joint | 1,2 | |
| 6 | 8 | 471 5523-00 | •Spacer | •Entretoise | 3 | |
| 7 | 2 | 438 4832-01 | •Washer | •Rondelle | 3 | |
| 8 | 8 | 731 2316-42 | •Nut | •Écrou | 3 | M6 |
| 9 | 1 | 471 5525-00 | •Ring | •Anneau | 3 | |
| 10 | 12 | 732 3116-14 | •Nut | •Écrou | 3 | M6 |
| 11 | 1 | 471 2461-34 | •Bracket | •Pupitre | 1 | |
| 12 | 1 | 471 2461-28 | •Handle | •Poignée | 1 | |
| 13 | 2 | 471 9228-98 | •Bearing | •Coussinet | 1 | |
| 14 | 1 | 471 2461-40 | •Washer | •Rondelle | 3 | |
| 15 | 2 | 731 2320-42 | •Nut | •Écrou | 3 | M10 |
| 16 | 1 | 471 2461-25 | •Pin | •Goupille | 3 | |
| 17 | 1 | 471 9228-97 | •Bearing | •Coussinet | 1,2 | |
| 18 | 1 | 471 2461-27 | •Pipe | •Tube | 3 | |
| 19 | 1 | 728 8445-01 | •Screw | •Vis | 3 | SK6SS 8X10 |
| 20 | 1 | 725 2327-42 | •Screw | •Vis | 3 | M5X12 |
| 21 | 1 | 731 2314-42 | •Nut | •Écrou | 3 | M4 |
| 22 | 4 | 734 1153-09 | •Washer | •Rondelle | 3 | BRB 6,4X12 |
| 23 | 2 | 471 2461-41 | Bracket | Support de montage | 1 | |
| 24 | 2 | 471 9209-24 | Bearing | Coussinet | 1,2 | |
| 25 | RQ | 471 2418-14 | Plate | Plaque | 3 | |
| 26 | 4 | 725 2542-42 | Screw | Vis | 3 | M12X50 |



| Issue | Month | Year |
|-------|-------|------|
| 02 | 04 | 01 |

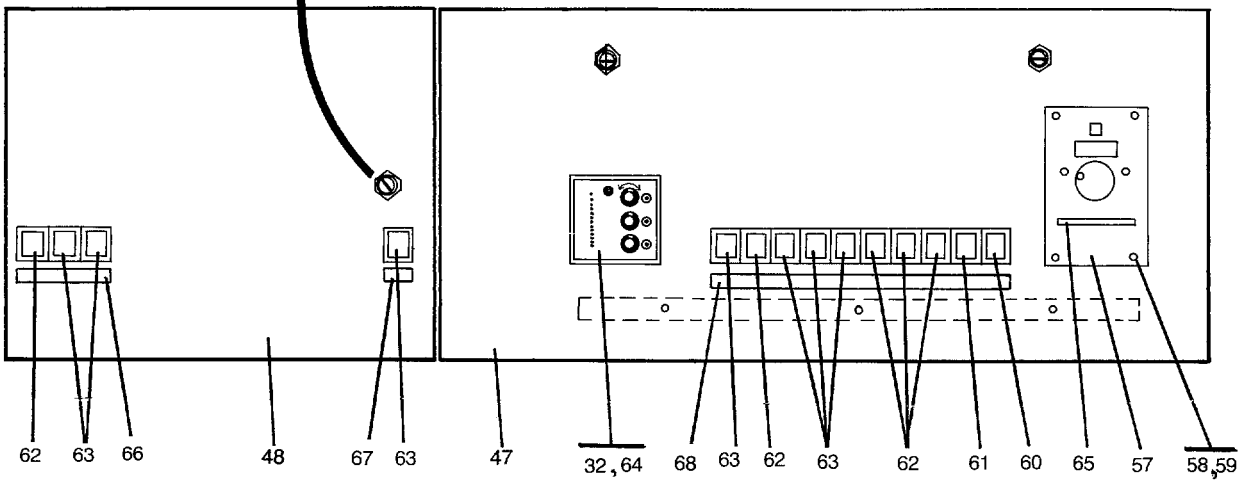
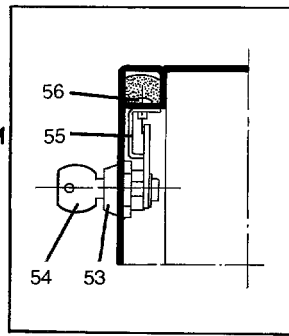
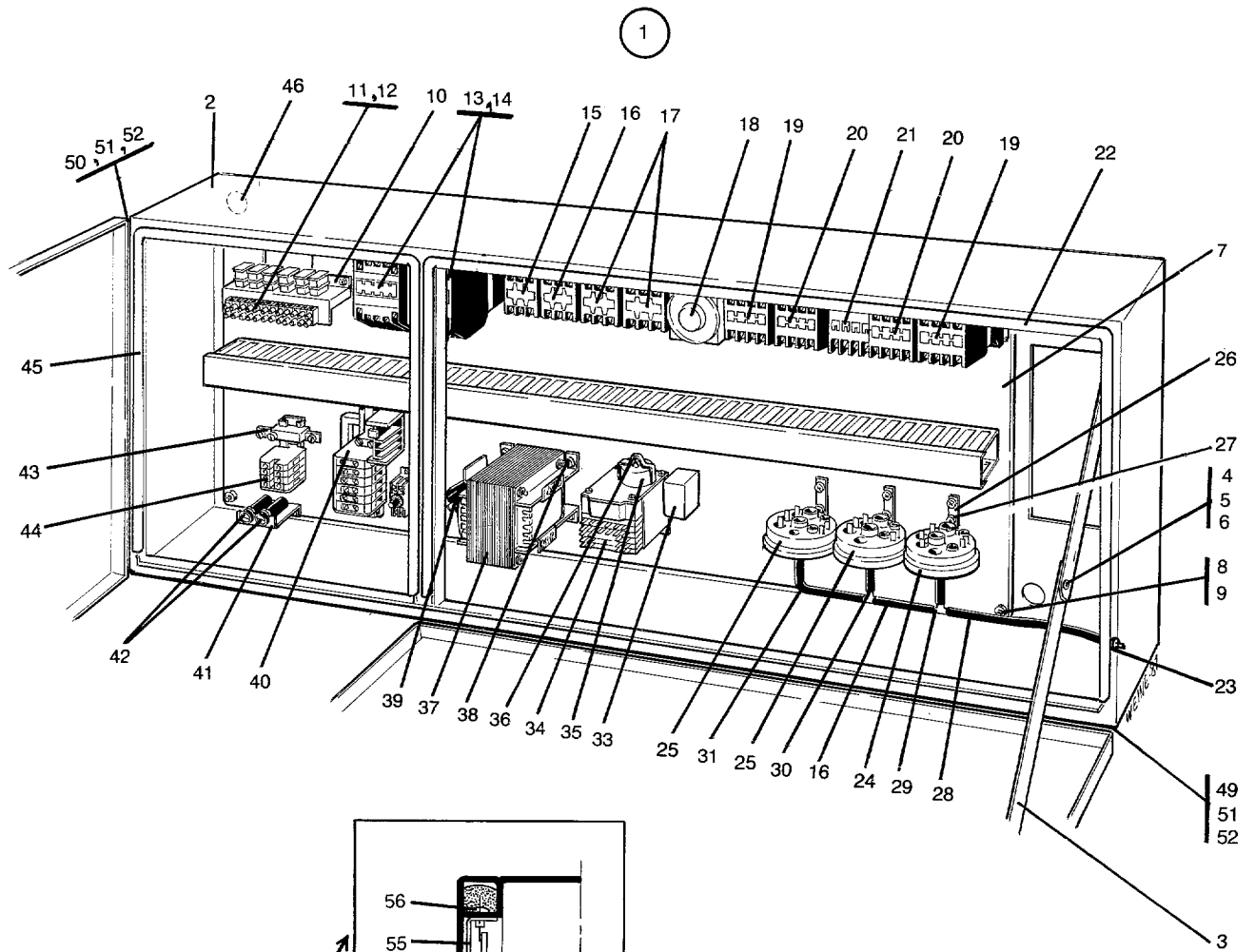
EX-200,EX-200 HI-TEK

Out of balance switch

Commutateur asymétrique

Illustration Issue Month Year
Schéma Issue Month Year
100435/2 2 4 2001

| Item Article | Qua Qua | Art.No Réf. article | Description | Description | Info Info | Notes Remarques |
|-----------------|------------|------------------------|---------------|------------------------|--------------|--------------------|
| 1 | 1 | 471 4641-10 | Bracket | Support de montage | 3 | |
| 1A | 1 | 432 5099-01 | Angle | Coude | 3 | |
| 2 | 6 | 725 2366-61 | Screw | Vis | 3 | M6SF 6X12 |
| 3 | 2 | 725 2466-51 | Screw | Vis | 3 | M8X75 |
| 4 | 4 | 732 2118-01 | Locking nut | Contre-écrou | 3 | M8 |
| 5 | 1 | 472 6390-02 | U-section | Fer en forme de U | 3 | |
| 6 | 1 | 471 4641-08 | Bracket | Support de montage | 3 | |
| 7 | 2 | 732 2116-01 | Locking nut | Contre-écrou | 3 | M6 |
| 8 | 1 | 471 9069-87 | Safety switch | Disjoncteur protection | 1,2 | |
| 9 | 2 | 724 1337-01 | Screw | Vis | 3 | M5X35 |
| 10 | 2 | 731 2314-01 | Nut | Écrou | 3 | M5 |



| | | |
|-------|-------|------|
| Issue | Month | Year |
| 01 | 05 | 88 |

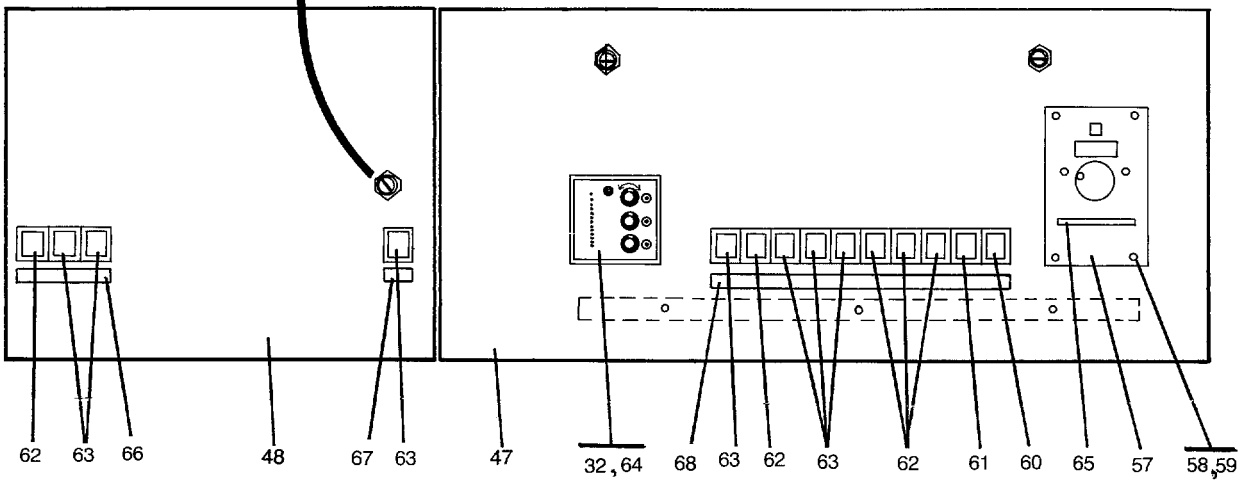
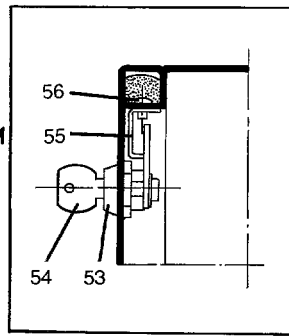
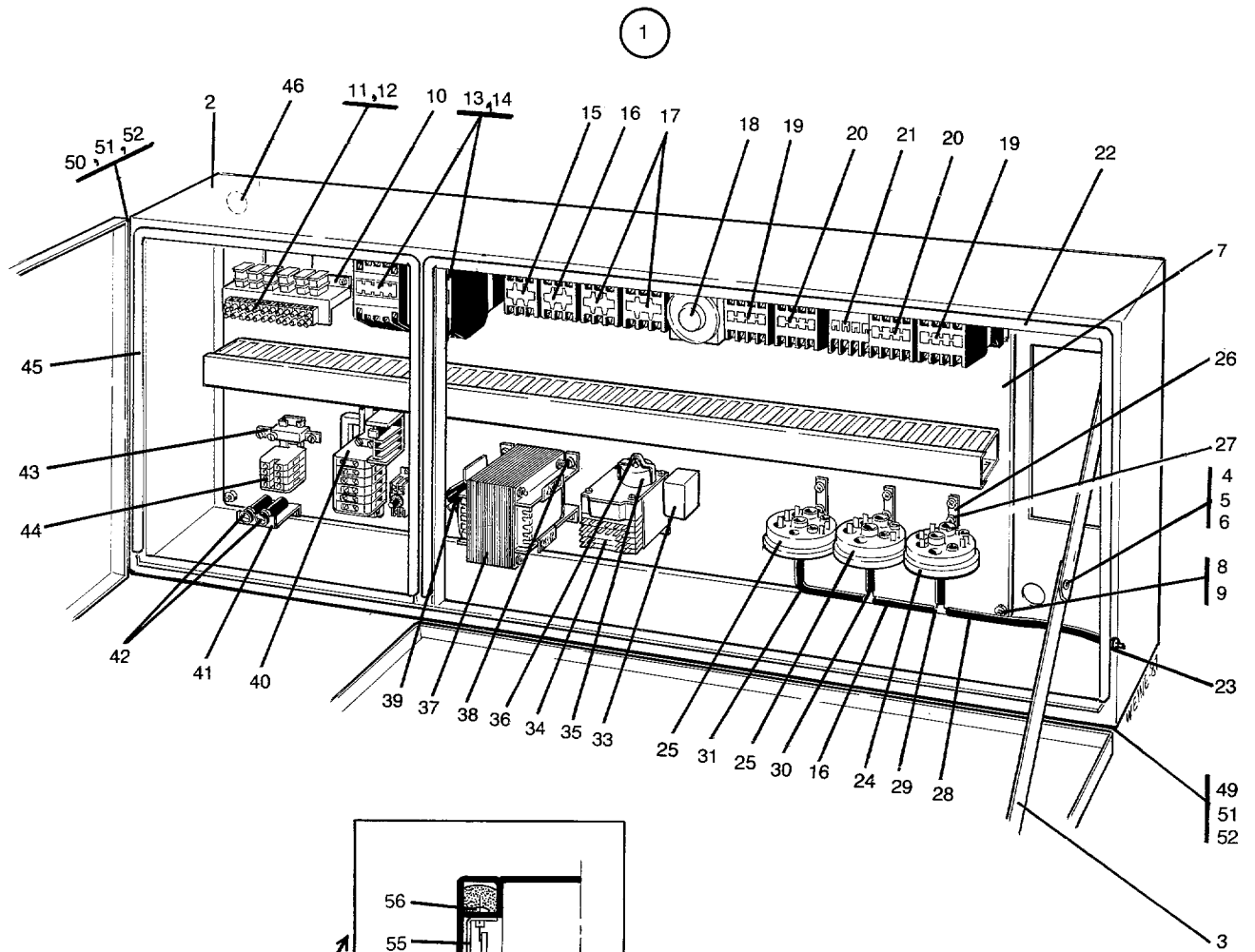
EX-200 -83/1060,EX-200 HI-TEK -83/1060

Control unit

Unité de commande

Illustration Issue Month Year
Schéma Issue Month Year
100436 2 8 1997

| Item Article | Qua Qua | Art.No Réf. article | Description | Description | Info Info | Notes Remarques |
|-----------------|------------|------------------------|------------------------|-----------------------|--------------|-----------------------------|
| 1 | 1 | 471 4075-05 | Control unit | Unité de contrôle | 3 | 208-240V 3AC 60Hz Complete |
| | 1 | 471 4075-06 | Control unit | Unité de contrôle | 3 | 220V 3~50Hz Complete |
| | 1 | 471 4075-07 | Control unit | Unité de contrôle | 3 | 380-415V 3N~50Hz Complete |
| 2 | 1 | 471 4066-01 | •Control box | •Boîtier de contrôle | 3 | |
| 3 | 4 | 471 4636-13 | •Brace | •Montant | 3 | |
| 4 | 6 | 724 1222-01 | •Screw | •Vis | 3 | M3X8 |
| 5 | 6 | 471 9008-98 | •Washer | •Rondelle | 3 | 4,3X8 |
| 6 | 6 | 732 2110-01 | •Locking nut | •Contre-écrou | 3 | M3 |
| 7 | 1 | 471 4067-01 | •Mounting plate | •Plaque de montage | 3 | |
| 8 | 6 | 725 2374-51 | •Screw | •Vis | 3 | M6X30 |
| 9 | 12 | 731 1216-01 | •Nut | •Écrou | 3 | M6 |
| 10 | 1 | 471 4068-01 | •Rail | •Support | 3 | |
| 11 | 1 | 762 7212-55 | •Terminal connection | •Bloc de connexion | 3 | |
| 12 | 2 | 724 1293-01 | •Screw | •Vis | 3 | M4X16 |
| 13 | 2 | 472 9902-78 | •Contactor | •Relais | 1,2 | 50Hz 220-240V 50Hz |
| | 2 | 472 9902-77 | •Contactor | •Relais | 1,2 | 60Hz |
| 14 | 8 | 471 9103-08 | •Screw | •Vis | 3 | RXS-B8X16 |
| 15 | 1 | 471 9606-01 | •Contactor | •Relais | 1,2 | 50Hz |
| | 1 | 471 9606-00 | •Contactor | •Relais | 1,2 | 60Hz |
| 16 | 1 | 767 5132-10 | •Contactor | •Relais | 1,2 | 220V 1AC 50Hz 220-240V 50Hz |
| | 1 | 767 5131-10 | •Contactor | •Relais | 1,2 | 208-230V 60Hz |
| 17 | 2 | 767 5112-10 | •Contactor | •Relais | 1,2 | 220V 1AC 50Hz 220-240V 50Hz |
| | 2 | 767 5111-10 | •Contactor | •Relais | 1,2 | 208-230V 60Hz |
| 18 | 1 | 471 9226-97 | •Time relay | •Relais temporisé | 1,2 | 50/60Hz |
| 19 | 2 | 767 5131-00 | •Contactor | •Relais | 1,2 | 50Hz 220-240V 50Hz |
| | 2 | 767 5132-00 | •Contactor 60Hz | •Relais,60Hz | 1,2 | 60Hz |
| 20 | 2 | 767 5122-00 | •Contactor | •Relais | 1,2 | 50Hz 220-240V 50Hz |
| | 2 | 767 5121-00 | •Contactor | •Relais | 1,2 | 220/380V 60Hz |
| 21 | 1 | 767 5152-00 | •Contactor | •Relais | 1,2 | 50Hz 220-240V 50Hz |
| | 1 | 767 5151-00 | •Contactor 60Hz | •Relais,60Hz | 1,2 | 208-230V 60Hz |
| 22 | 1 | 471 4640-54 | •Rubber strip | •Joint caoutchouc | 3 | |
| 23 | 1 | 471 2462-35 | •Nipple | •Raccord | 3 | |
| 24 | 1 | 471 8860-08 | •Level control | •Réglage de niveau | 1,2 | LOW/HIGH |
| 25 | 2 | 471 8860-11 | •Level control | •Réglage de niveau | 1,2 | |
| 26 | 3 | 471 2413-19 | •Angle | •Coude | 3 | |
| 27 | 3 | 729 5279-01 | •Screw | •Vis | 3 | RXS B6X9,5 |
| 28 | 1 | 471 2564-18 | •Hose | •Flexible | 1 | |
| 29 | 2 | 471 2265-69 | •T-pipe | •Tube en T | 3 | |
| 30 | 2 | 471 2464-19 | •Hose | •Flexible | 1 | |
| 31 | 1 | 471 2264-03 | •Hose | •Flexible | 1 | |
| 32 | 1 | 471 8806-02 | •Thermostat | •Thermostat | 1,2 | |
| 33 | 1 | 471 9651-50 | •Buzzer | •Console | 3 | 208-240V |
| 34 | 1 | 471 2422-19 | •Reverser | •Inverseur | 1,2 | 50Hz |
| | 1 | 471 2422-20 | •Reverser | •Inverseur | 1,2 | 60Hz |
| 35 | 1 | 471 9056-91 | ••Motor | ••Moteur | 1,2 | OLD TIMER 220V 50Hz |
| | 1 | 471 9056-92 | ••Motor | ••Moteur | 1,2 | OLD TIMER 208-240V 60Hz |
| 36 | 1 | 471 6536-78 | •Clamp | •Bride de fixation | 3 | |
| 37 | 1 | 471 9550-05 | •Transformer | •Transformateur | 1 | |
| 38 | 4 | 729 5342-01 | •Screw | •Vis | 3 | |
| 39 | 1 | 471 9577-01 | •Rectifier | •Redresseur | 1,2 | |
| 40 | 1 | 471 9604-00 | •Mains current breaker | •Disjoncteur | 1 | 380-415V |
| | 1 | 471 9604-03 | •Mains current breaker | •Disjoncteur | 1 | 200-240V |
| 41 | 1 | 471 4074-01 | •Fuse holder | •Porte-fusible | 1 | |
| 42 | 2 | 471 8750-12 | •Fuse | •Porte-fusible | 1,2 | 1,6A 50Hz 1,6A FOR 50Hz |
| | 2 | 471 9027-86 | •Fuse | •Porte-fusible | 1,2 | 1,6A 60Hz 1,5A FOR 60Hz |
| 43 | 1 | 471 7110-80 | •Ground connection | •Connexion à la masse | 3 | 220V 3~ |
| | 1 | 471 7119-10 | •Ground connection | •Connexion à la masse | 3 | 380-415V 3N~ |
| 44 | 1 | 471 8702-00 | • | • | 3 | |
| | 1 | 762 7105-80 | •Ground connection | •Connexion à la masse | 3 | |



| | | |
|-------|-------|------|
| Issue | Month | Year |
| 01 | 05 | 88 |

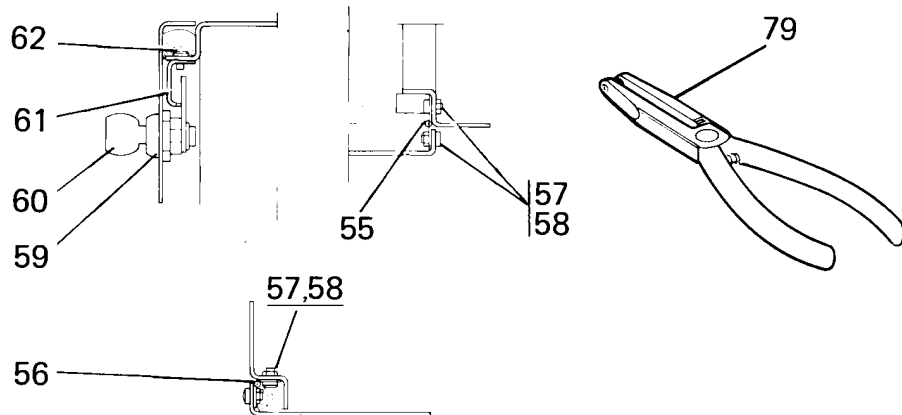
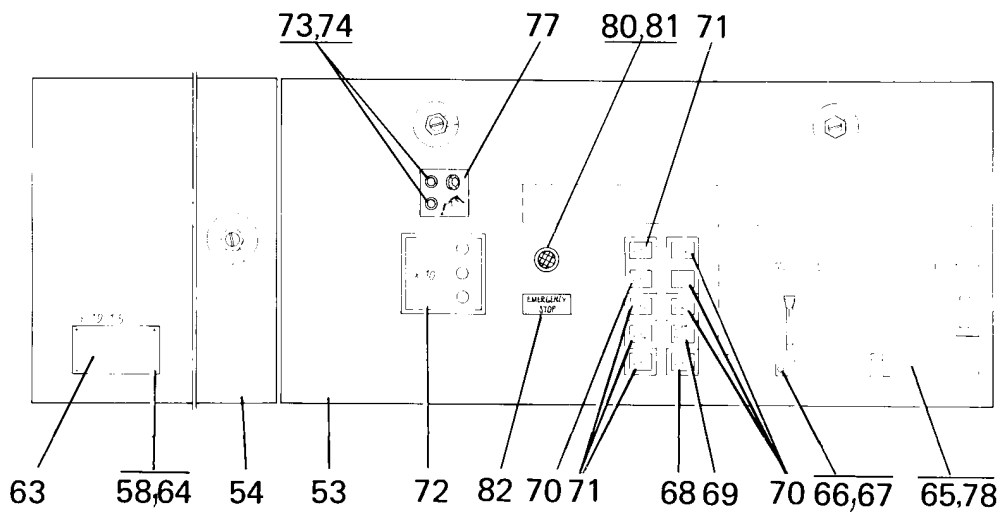
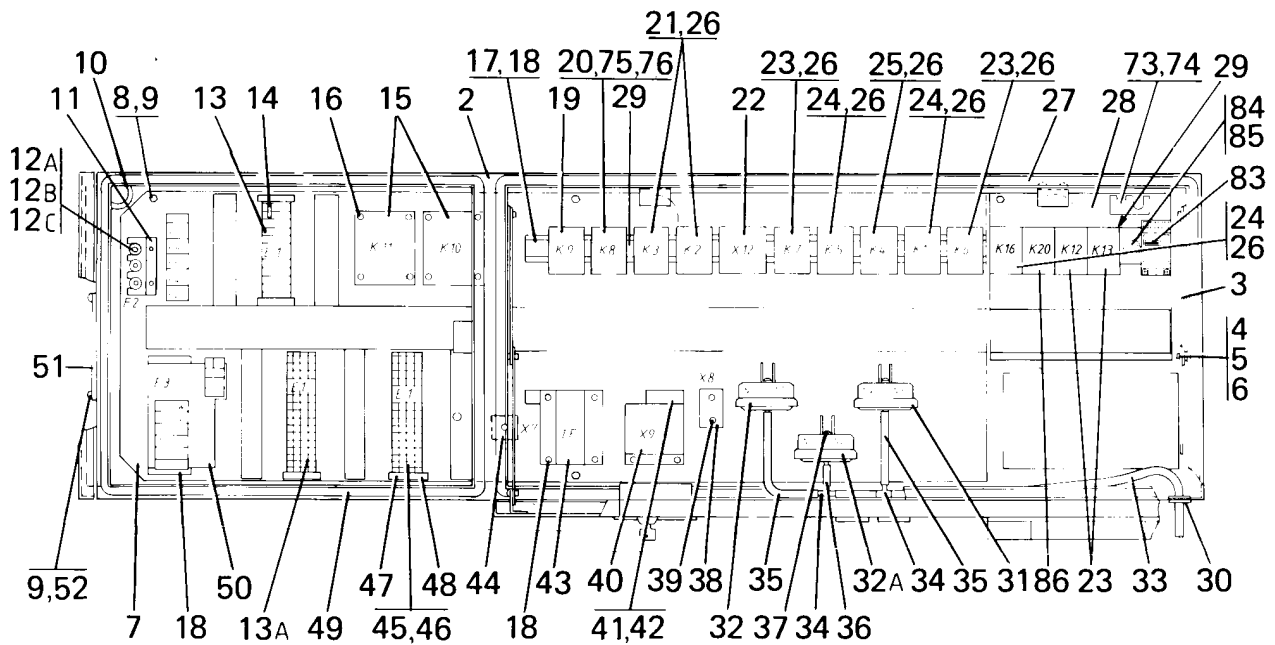
EX-200 -83/1060,EX-200 HI-TEK -83/1060

Control unit

Unité de commande

Illustration Issue Month Year
Schéma Issue Month Year
100436 2 8 1997

| Item Article | Qua Qua | Art.No Réf. article | Description | Description | Info Info | Notes Remarques |
|-----------------|------------|------------------------|------------------|------------------------|--------------|-----------------------|
| 45 | 1 | 471 8174-02 | •Rubber strip | •Joint caoutchouc | 3 | |
| 46 | 1 | 762 1209-10 | •Grommet | •Oeillet | 3 | |
| 47 | 1 | 471 4070-01 | •Door | •Plaque | 3 | |
| 48 | 1 | 471 4071-01 | •Door | •Plaque | 3 | |
| 49 | 1 | 471 4640-94 | •Hinge | •Charnière | 3 | |
| 50 | 1 | 471 4636-58 | •Hinge | •Charnière | 3 | |
| 51 | RQ | 724 1289-01 | •Screw | •Vis | 3 | M4X10 |
| 52 | RQ | 731 2312-01 | •Nut | •Écrou | 3 | M4 |
| 53 | 3 | 471 7826-10 | •Lock | •Serrure | 1 | |
| 54 | 2 | 471 7826-20 | •Key | •Touche | 1,2 | FH025 |
| 55 | 3 | 471 4636-14 | •Lock catch | •Ergot de verrouillage | 3 | |
| 56 | 6 | 724 3287-01 | •Screw | •Vis | 3 | M4X8 |
| 57 | 1 | 471 9219-15 | •Card programmer | •Programmeur cartes | 1,2 | 50Hz See group US8337 |
| | 1 | 471 9223-72 | •Card programmer | •Programmeur cartes | 1,2 | 60Hz See group US8337 |
| 58 | 4 | 724 1329-01 | •Screw | •Vis | 3 | M5X16 |
| 59 | 4 | 732 2114-01 | •Locking nut | •Contre-écrou | 3 | M5 |
| 60 | 1 | 471 9226-65 | •Pushbutton | •Bouton-poussoir | 1,2 | |
| 61 | 1 | 471 9226-67 | •Pushbutton | •Bouton-poussoir | 1,2 | Yellow |
| 62 | 5 | 471 9226-66 | •Pushbutton | •Bouton-poussoir | 1,2 | |
| 63 | 7 | 471 9226-68 | •Pushbutton | •Bouton-poussoir | 1,2 | |
| 64 | 1 | 471 8806-50 | Bracket | Support de montage | 3 | For thermostat |
| 65 | 1 | 471 8955-01 | Program card | Carte programme | 1 | 80 STEPS |
| | 1 | 471 9219-16 | Program card | Carte programme | 1 | 120 STEPS |
| 66 | 1 | 471 7608-01 | Sign | Signe | 3 | Swedish |
| | 1 | 471 7608-02 | Sign | Signe | 3 | English |
| | 1 | 471 7608-03 | Sign | Signe | 3 | ITALIEN |
| | 1 | 471 7608-04 | Sign | Signe | 3 | Danish |
| | 1 | 471 7608-05 | Sign | Signe | 3 | Norwegian |
| | 1 | 471 7608-06 | Sign | Signe | 3 | Finnish |
| | 1 | 471 7608-07 | Sign | Signe | 3 | Dutch |
| | 1 | 471 7608-08 | Sign | Signe | 3 | French |
| | 1 | 471 7608-09 | Sign | Signe | 3 | Spanish |
| | 1 | 471 7608-10 | Sign | Signe | 3 | German |
| 67 | 1 | 471 7607-01 | Sign | Signe | 3 | Swedish |
| | 1 | 471 7607-02 | Sign | Signe | 3 | English |
| | 1 | 471 7607-03 | Sign | Signe | 3 | ITALIEN |
| | 1 | 471 7607-04 | Sign | Signe | 3 | Danish |
| | 1 | 471 7607-05 | Sign | Signe | 3 | Norwegian |
| | 1 | 471 7607-06 | Sign | Signe | 3 | Finnish |
| | 1 | 471 7607-07 | Sign | Signe | 3 | Dutch |
| | 1 | 471 7607-08 | Sign | Signe | 3 | French |
| | 1 | 471 7607-09 | Sign | Signe | 3 | Spanish |
| | 1 | 471 7607-10 | Sign | Signe | 3 | German |
| 68 | 1 | 471 7609-01 | Sign | Signe | 3 | Swedish |
| | 1 | 471 7609-02 | Sign | Signe | 3 | English |
| | 1 | 471 7609-03 | Sign | Signe | 3 | German |
| | 1 | 471 7609-04 | Sign | Signe | 3 | ITALIEN |
| | 1 | 471 7609-05 | Sign | Signe | 3 | Danish |
| | 1 | 471 7609-06 | Sign | Signe | 3 | Norwegian |
| | 1 | 471 7609-07 | Sign | Signe | 3 | Finnish |
| | 1 | 471 7609-08 | Sign | Signe | 3 | Dutch |
| | 1 | 471 7609-09 | Sign | Signe | 3 | French |
| | 1 | 471 7609-10 | Sign | Signe | 3 | Spanish |



| Issue | Month | Year |
|-------|-------|------|
| 04 | 02 | 95 |

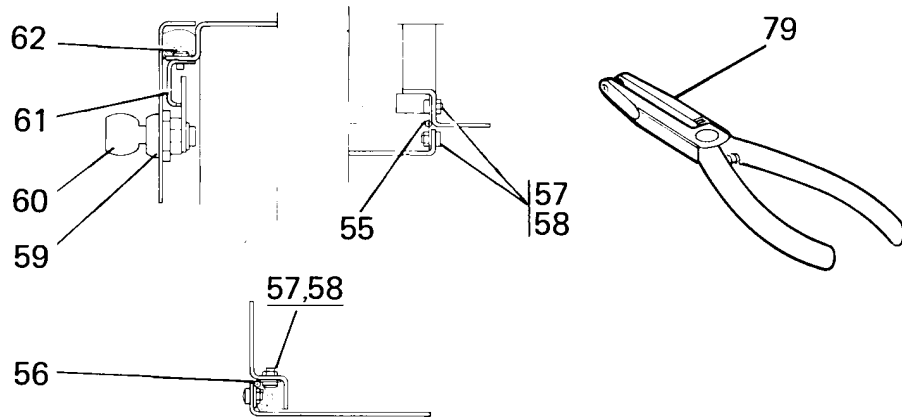
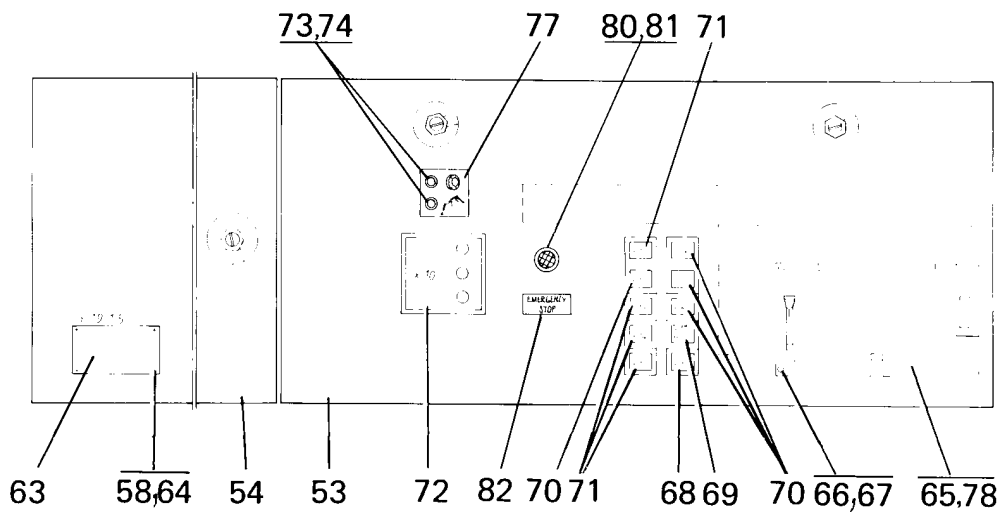
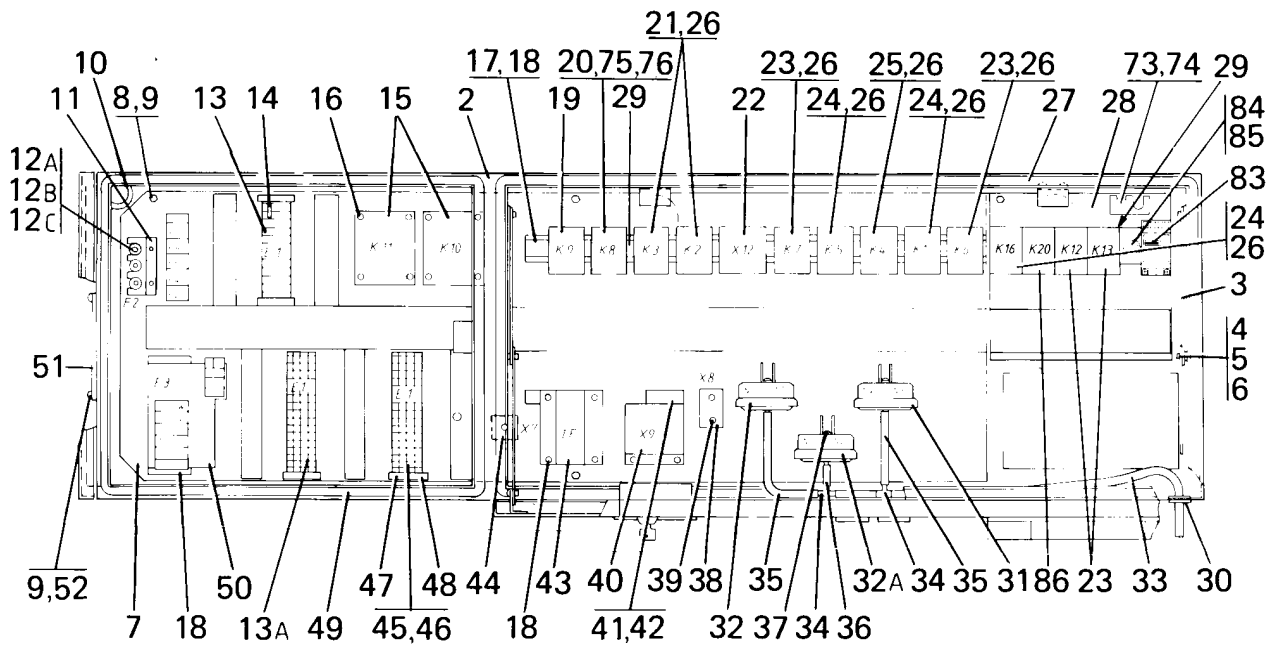
EX-200 83/1061-,EX-200 HI-TEK 83/1061-

Control unit

Unité de commande

Illustration Issue Month Year
Schéma Issue Month Year
100437 2 9 1991

| Item Article | Qua Qua | Art.No Réf. article | Description | Description | Info Info | Notes Remarques |
|-----------------|------------|------------------------|--------------------|----------------------|--------------|--|
| 1 | 1 | 471 4075-21 | Control unit | Unité de contrôle | 1 | 50Hz, 380-415V, 3~ Complete |
| | 1 | 471 4075-22 | Control unit | Unité de contrôle | 1 | 60Hz, 208-240V, 3~ Complete |
| | 1 | 471 4075-23 | Control unit | Unité de contrôle | 1 | 220V, 50Hz, 3~ |
| 2 | 1 | 471 4066-02 | •Control box | •Boîtier de contrôle | 3 | Brown -87/1332 |
| | 1 | 471 4066-03 | •Control box | •Boîtier de contrôle | 3 | Grey 87/1333- |
| 3 | 4 | 471 4636-13 | •Brace | •Montant | 3 | |
| 4 | 6 | 724 1222-01 | •Screw | •Vis | 3 | M3X8 |
| 5 | 6 | 471 9008-98 | •Washer | •Rondelle | 3 | 4,3X8 |
| 6 | 6 | 732 2110-01 | •Locking nut | •Contre-écrou | 3 | M3 |
| 7 | 1 | 471 4069-02 | •Plate | •Plaque | 3 | |
| 8 | 6 | 725 2374-51 | •Screw | •Vis | 3 | M6X30 |
| 9 | 14 | 731 2316-01 | •Nut | •Écrou | 3 | M6 |
| 10 | 1 | 762 1209-10 | •Grommet | •Oeillet | 3 | |
| 11 | 2 | 471 4074-01 | •Fuse holder | •Porte-fusible | 1 | |
| 12 | 2 | 471 8750-12 | •Fuse | •Porte-fusible | 1,2 | 1,6A 50Hz |
| | 2 | 471 9027-86 | •Fuse | •Porte-fusible | 1,2 | 1,6A 60Hz |
| 13 | 1 | 472 6847-03 | •Rail | •Support | 3 | |
| 13A | 8 | 729 7342-01 | •Screw | •Vis | 3 | KFXS 4,2X13 |
| 14 | 1 | 762 7137-90 | •Bridge connection | •Montage en pont | 3 | |
| 15 | 2 | 472 9902-78 | •Contactor | •Relais | 1,2 | 50Hz HIGH EXTRACTION |
| | 2 | 472 9902-77 | •Contactor | •Relais | 1,2 | 60Hz HIGH EXTRACTION |
| 16 | 8 | 729 5344-01 | •Screw | •Vis | 3 | RXS B8X16 |
| 17 | 1 | 472 6848-02 | •Rail | •Support | 3 | |
| 18 | RQ | 729 5342-01 | •Screw | •Vis | 3 | |
| 19 | 1 | 767 5102-20 | •Contactor | •Relais | 1,2 | 50Hz LOW EXTRACTION |
| | 1 | 767 5101-20 | •Contactor | •Relais | 1,2 | 60Hz LOW EXTRACTION |
| 20 | 1 | 438 9636-02 | •Contactor | •Relais | 1,2 | 50Hz, K3-10 50Hz,distribution |
| | 1 | 438 9636-03 | •Contactor | •Relais | 1,2 | 60Hz, K3-10 60Hz,distribution |
| 21 | 2 | 438 9636-02 | •Contactor | •Relais | 1,2 | 50Hz, K3-10 Wash |
| | 2 | 438 9636-03 | •Contactor | •Relais | 1,2 | 60Hz, K3-10 Wash |
| 22 | 1 | 471 9226-97 | •Time relay | •Relais temporisé | 1,2 | 50/60Hz |
| 23 | 2 | 767 5131-00 | •Contactor | •Relais | 1,2 | 50Hz |
| | 2 | 767 5132-00 | •Contactor 60Hz | •Relais,60Hz | 1,2 | 60Hz |
| 24 | 3 | 767 5122-00 | •Contactor | •Relais | 1,2 | 50Hz |
| | 3 | 767 5121-00 | •Contactor | •Relais | 1,2 | STOP,TIMER=K16 220/380V 60Hz STOP,TIMER=K16 |
| 25 | 1 | 767 5152-00 | •Contactor | •Relais | 1,2 | 50Hz |
| | 1 | 767 5151-00 | •Contactor 60Hz | •Relais,60Hz | 1,2 | 208-230V 60Hz |
| 26 | | | | | | Not used |
| 27 | 1 | 471 4640-54 | •Rubber strip | •Joint caoutchouc | 3 | |
| 28 | 1 | 472 6854-01 | •Plate | •Plaque | 3 | |
| 29 | 1 | 472 6848-03 | •Rail | •Support | 3 | |
| 30 | 1 | 762 1182-10 | •Grommet | •Oeillet | 3 | Ø22,2MM |
| 31 | 1 | 471 8860-08 | •Level control | •Réglage de niveau | 1,2 | N3+LOW LEVEL N4+HIGH LEVEL N1+LOADING N6+EXTRACTION N2+DOOR LOCK N5+DRAIN |
| 32 | 1 | 471 8860-11 | •Level control | •Réglage de niveau | | |
| 32A | 1 | 471 8860-11 | •Level control | •Réglage de niveau | | |
| 33 | 1 | 471 2464-18 | •Hose | •Flexible | 1 | L=280 |
| 34 | 2 | 471 2265-69 | •T-pipe | •Tube en T | 3 | |
| 35 | 2 | 471 2264-03 | •Hose | •Flexible | 1 | |
| 36 | 2 | 471 2464-19 | •Hose | •Flexible | 1 | |
| 37 | 3 | 729 5279-01 | •Screw | •Vis | 3 | RXS B6X9,5 |
| 38 | 1 | 471 9651-50 | •Buzzer | •Console | 3 | 208-240V |
| 39 | 2 | 729 5225-01 | •Screw | •Vis | 3 | RXS B4X9,5 |
| 40 | 1 | 471 2422-19 | •Reverser | •Inverseur | 1,2 | 50Hz |



EX-200 83/1061-,EX-200 HI-TEK 83/1061-

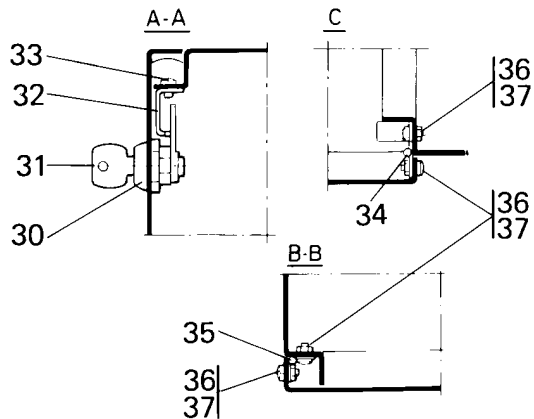
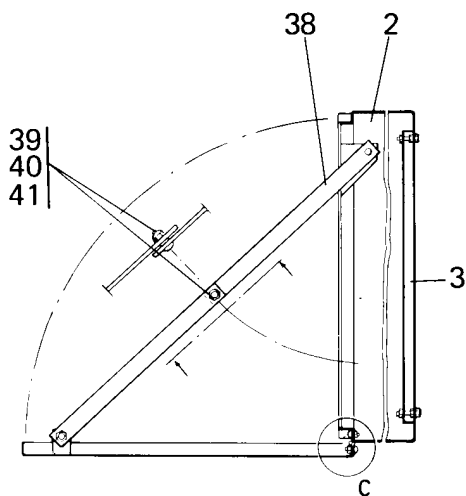
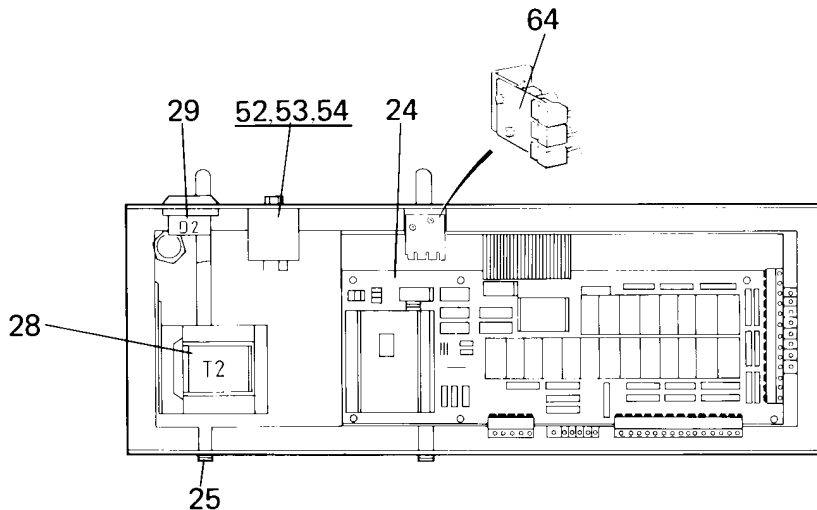
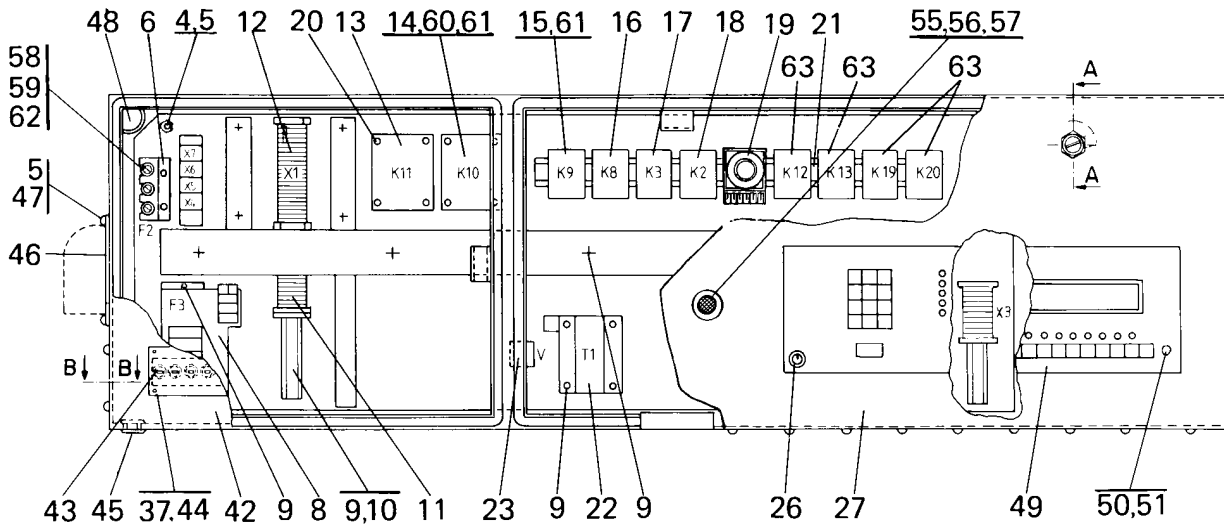
Control unit

Unité de commande

Illustration Issue Month Year
Schéma Issue Month Year
100437 2 9 1991

| Item Article | Qua Qua | Art.No Réf. article | Description | Description | Info Info | Notes Remarques |
|-----------------|------------|------------------------|------------------------|------------------------|--------------|-------------------------|
| 41 | 1 | 471 2422-20 | •Reverser | •Inverseur | 1,2 | 60Hz |
| | 1 | 471 9056-91 | ••Motor | ••Moteur | 1,2 | OLD TIMER 220V 50Hz |
| 42 | 1 | 471 9056-92 | ••Motor | ••Moteur | 1,2 | OLD TIMER 208-240V 60Hz |
| | 1 | 471 6536-78 | ••Clamp | ••Bride de fixation | 3 | |
| 43 | 1 | 471 9550-05 | •Transformer | •Transformateur | 1 | |
| 44 | 1 | 471 9577-01 | •Rectifier | •Redresseur | 1,2 | |
| 45 | RQ | 762 7102-05 | •Terminal connection | •Bloc de connexion | 1,2 | |
| 46 | 2 | 472 6848-02 | •Rail | •Support | 3 | |
| 47 | 4 | 762 7121-80 | •Ground connection | •Connexion à la masse | 3 | 380V,415V |
| 48 | 6 | 762 7116-90 | •End plate | •Panneau arrière | 3 | -84/1070 |
| 49 | 1 | 471 8174-02 | •Rubber strip | •Joint caoutchouc | 3 | |
| 50 | 1 | 471 9604-00 | •Mains current breaker | •Disjoncteur | 1 | 380-415V |
| | 1 | 471 9604-03 | •Mains current breaker | •Disjoncteur | 1 | 200-240V |
| 51 | 1 | 472 6851-01 | •Cover plate | •Plaque recouvrement | 3 | Brown -89/1332 |
| | 1 | 472 6851-03 | •Cover plate | •Plaque recouvrement | 3 | Grey 87/1333- |
| 52 | 4 | 724 1368-42 | •Screw | •Vis | 3 | M6X16 |
| 53 | 1 | 471 4070-02 | •Door | •Plaque | 3 | Brown -87/1332 |
| 54 | 1 | 471 4070-03 | •Door | •Plaque | 3 | Grey 87/1333- |
| | 1 | 471 4071-02 | •Door | •Plaque | 3 | Brown -87/1332 |
| 55 | 1 | 471 4071-03 | •Door | •Plaque | 3 | Grey 87/1333- |
| | 1 | 471 4640-94 | •Hinge | •Charnière | 3 | |
| 56 | 1 | 471 4636-58 | •Hinge | •Charnière | 3 | |
| 57 | 17 | 724 1289-01 | •Screw | •Vis | 3 | M4X10 |
| 58 | 27 | 731 2312-01 | •Nut | •Écrou | 3 | M4 |
| 59 | 3 | 471 7826-10 | •Lock | •Serrure | 1 | |
| | 3 | 471 7826-99 | ••Nut | ••Écrou | 1 | |
| 60 | 3 | 471 7826-20 | •Key | •Touche | 1,2 | FH025 |
| 61 | 3 | 471 4636-14 | •Lock catch | •Ergot de verrouillage | 3 | |
| 62 | 6 | 724 3287-01 | •Screw | •Vis | 3 | M4X8 |
| 63 | 1 | 472 6853-01 | •Cover plate | •Plaque recouvrement | 3 | Brown -87/1332 |
| | 1 | 472 6853-04 | •Cover plate | •Plaque recouvrement | 3 | Black 87/1333- |
| 64 | 4 | 724 1293-40 | •Screw | •Vis | 3 | MRX M4X16 |
| 65 | 1 | 471 8965-01 | •Program mechanism | •Minuterie | 1,2 | 50Hz |
| | 1 | 471 8965-02 | •Program mechanism | •Minuterie | 1,2 | 60Hz 83 |
| 66 | 4 | 724 1228-42 | •Screw | •Vis | 3 | M6X16 |
| 67 | 4 | 732 2110-01 | •Locking nut | •Contre-écrou | 3 | M3 |
| 68 | 1 | 471 9226-65 | •Pushbutton | •Bouton-poussoir | 1,2 | |
| 69 | 1 | 471 9226-67 | •Pushbutton | •Bouton-poussoir | 1,2 | Yellow |
| 70 | 4 | 471 9226-66 | •Pushbutton | •Bouton-poussoir | 1,2 | |
| 71 | 4 | 471 9226-68 | •Pushbutton | •Bouton-poussoir | 1,2 | |
| 72 | 1 | 471 8806-02 | •Thermostat | •Thermostat | 1,2 | |
| 73 | 2 | 763 1101-03 | •Pilot lamp | •Lampe témoin | 1,2 | 220V |
| 74 | 2 | 763 1802-01 | •Glass | •Verre | 1,2 | Red |
| 75 | 1 | 767 5101-92 | •Auxiliary contact | •Contact de secours | 1,2 | Green |
| 76 | 1 | 767 5102-92 | •Auxiliary contact | •Contact de secours | 1,2 | Red |
| 77 | 1 | 472 9835-01 | •Sign | •Signe | 3 | 91/1662- |
| 78 | 1 | 471 8955-02 | Program card | Carte programme | 1 | |
| 79 | 1 | 471 8961-02 | Pliers | Pince | 1 | |
| | 1 | 471 8961-02 | Pliers | Pince | 1 | |

①



EX-200 83/1061-,EX-200 HI-TEK 83/1061-

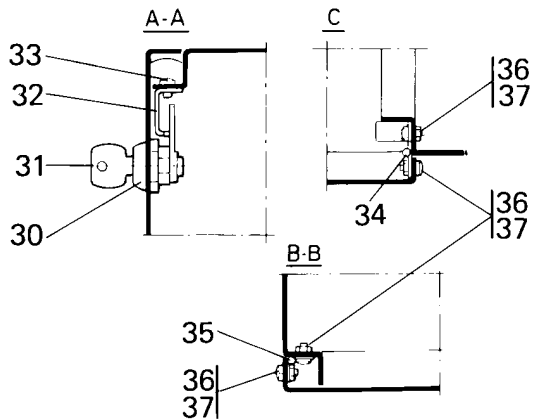
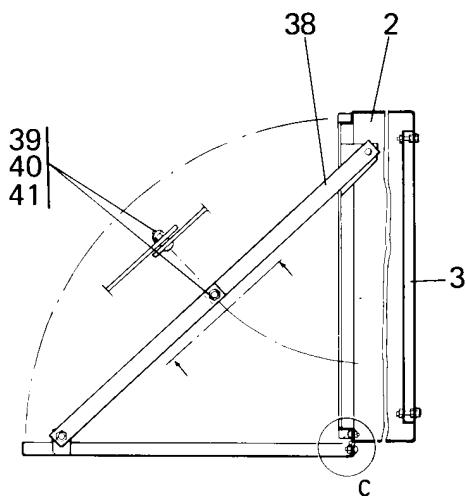
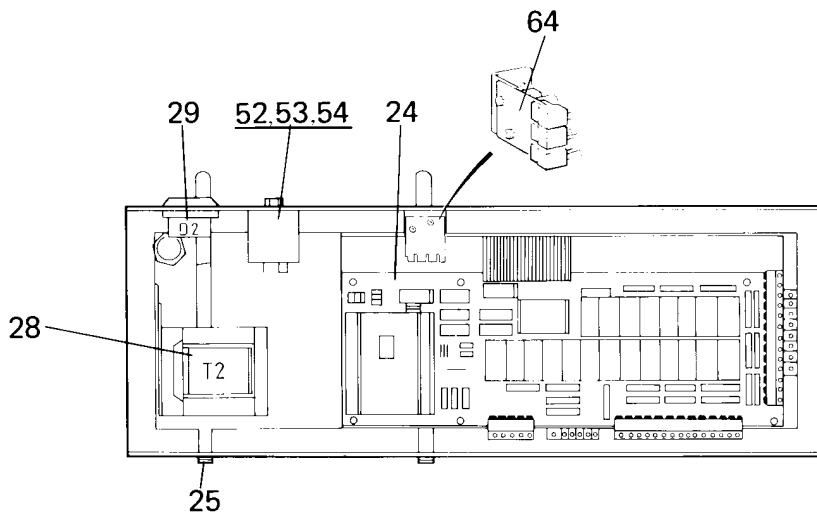
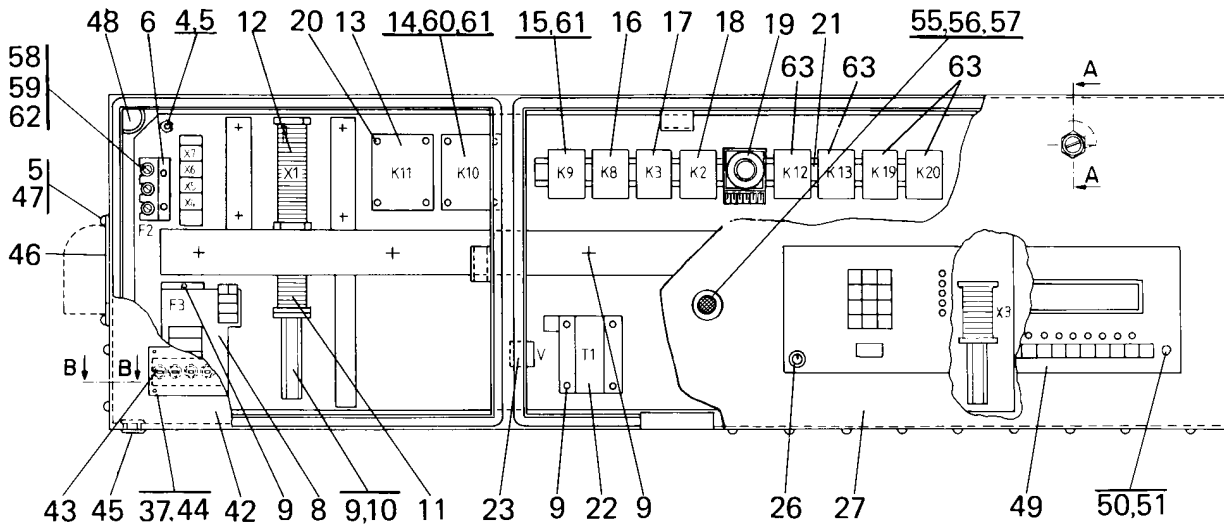
Control unit MP

Unité de commande MP

Illustration Issue Month Year
Schéma Issue Month Year
100480 7 9 1991

| Item Article | Qua Qua | Art.No Réf. article | Description | Description | Info Info | Notes Remarques |
|-----------------|------------|------------------------|------------------------|------------------------|--------------|---------------------------|
| 1 | 1 | 471 4075-11 | Control unit | Unité de contrôle | 3 | 380-415V 50Hz3N~ Complete |
| | 1 | 471 4075-12 | Control unit | Unité de contrôle | 3 | 208-240V 60Hz 3~ Complete |
| 2 | 1 | 471 4066-03 | •Control box | •Boîtier de contrôle | 3 | Grey |
| 3 | 1 | 471 4069-02 | •Plate | •Plaque | 3 | |
| 4 | 6 | 725 2374-51 | •Screw | •Vis | 3 | M6X30 |
| 5 | 6 | 731 2316-01 | •Nut | •Écrou | 3 | M6 |
| 6 | 2 | 471 4074-01 | •Fuse holder | •Porte-fusible | 1 | |
| 7 | 2 | 471 8750-12 | •Fuse | •Porte-fusible | 1,2 | 1,6A 50Hz |
| | 2 | 471 9027-86 | •Fuse | •Porte-fusible | 1,2 | 1,6A 60Hz |
| 8 | 1 | 471 9604-00 | •Mains current breaker | •Disjoncteur | 1,2 | 380-415V |
| | 1 | 471 9604-03 | •Mains current breaker | •Disjoncteur | 1,2 | 200-240V |
| 9 | 23 | 729 5342-01 | •Screw | •Vis | 3 | |
| 10 | 3 | 472 6847-03 | •Rail | •Support | 3 | |
| 11 | 2 | 762 7117-10 | •Terminal connection | •Bloc de connexion | 3 | 380V 2,5-10MM²,3-POLE |
| 12 | 1 | 762 7137-90 | •Bridge connection | •Montage en pont | 3 | |
| 13 | 1 | 472 9902-78 | •Contactor | •Relais | 1,2 | 50Hz |
| | 1 | 472 9902-77 | •Contactor | •Relais | 1,2 | 60Hz |
| 14 | 1 | 472 9902-78 | •Contactor | •Relais | 1,2 | 50Hz |
| | 1 | 472 9902-77 | •Contactor | •Relais | 1,2 | 60Hz |
| 15 | 1 | 767 5102-20 | •Contactor | •Relais | 1,2 | 50Hz |
| | 1 | 767 5101-20 | •Contactor | •Relais | 1,2 | 60Hz |
| 16 | 1 | 438 9636-02 | •Contactor | •Relais | 1,2 | 50Hz, K3-10 |
| | 1 | 438 9636-03 | •Contactor | •Relais | 1,2 | 60Hz, K3-10 |
| 17 | 1 | 438 9636-02 | •Contactor | •Relais | 1,2 | 50Hz, K3-10 |
| | 1 | 438 9636-03 | •Contactor | •Relais | 1,2 | 60Hz, K3-10 |
| 18 | 1 | 438 9636-02 | •Contactor | •Relais | 1,2 | 50Hz, K3-10 |
| | 1 | 438 9636-03 | •Contactor | •Relais | 1,2 | 60Hz, K3-10 |
| 19 | 1 | 438 9636-02 | •Contactor | •Relais | 1,2 | 50Hz, K3-10 |
| | 1 | 438 9636-03 | •Contactor | •Relais | 1,2 | 60Hz, K3-10 |
| 20 | 8 | 729 5344-01 | •Screw | •Vis | 3 | RXS B8X16 |
| 21 | 1 | 472 6848-02 | •Rail | •Support | 3 | |
| 22 | 1 | 471 9550-05 | •Transformer | •Transformateur | 1,2 | |
| 23 | 1 | 471 9577-01 | •Rectifier | •Redresseur | 1,2 | |
| 24 | 1 | 471 8977-01 | •Printed circuit board | •Circuit imprimé | 1,2 | 88/1477- |
| | 1 | 471 8977-04 | •Printed circuit board | •Circuit imprimé | 1,2 | -88/1476 |
| 25 | 2 | 471 4586-01 | •Lock plate | •Gâche de serrure | 3 | |
| 26 | 1 | 471 4878-84 | •Switch | •Commutateur | 1,2 | Complete |
| | 1 | 471 8733-10 | •Key | •Touche | 1 | |
| 27 | 1 | 471 4070-04 | •Door | •Plaque | 3 | Black |
| 28 | 1 | 471 9550-15 | •Transformer | •Transformateur | 1,2 | 208/220/240/480V |
| 29 | 1 | 471 9653-03 | •Buzzer | •Console | 1,2 | |
| 30 | 3 | 471 7826-10 | •Lock | •Serrure | 1,2 | |
| 31 | 3 | 471 7826-20 | •Key | •Touche | 1,2 | FH025 |
| 32 | 3 | 471 4636-14 | •Lock catch | •Ergot de verrouillage | 3 | |
| 33 | 6 | 724 3289-01 | •Screw | •Vis | 3 | M4X10 |
| 34 | 1 | 471 4636-58 | •Hinge | •Charnière | 3 | |
| 35 | 1 | 471 4640-94 | •Hinge | •Charnière | 3 | |
| 36 | 17 | 724 1289-01 | •Screw | •Vis | 3 | M4X10 |
| 37 | 21 | 731 2312-01 | •Nut | •Écrou | 3 | M4 |
| 38 | 4 | 471 4636-13 | •Brace | •Montant | 3 | |
| 39 | 6 | 724 1222-01 | •Screw | •Vis | 3 | M3X8 |
| 40 | 6 | 471 9088-98 | •Washer | •Rondelle | 3 | |
| 41 | 6 | 732 2110-01 | •Locking nut | •Contre-écrou | 3 | M3 |
| 42 | 1 | 471 4071-03 | •Door | •Plaque | 3 | Grey |
| 43 | 1 | 472 6853-04 | •Cover plate | •Plaque recouvrement | 3 | Black |
| 44 | 4 | 724 1293-42 | •Screw | •Vis | 3 | M4X16 |
| 45 | 2 | 762 1182-10 | •Grommet | •Oeillet | 3 | Ø22,2MM |
| 46 | 1 | 472 6851-03 | •Cover plate | •Plaque recouvrement | 3 | Grey |
| 47 | 4 | 724 1368-42 | •Screw | •Vis | 3 | M6X16 |

①



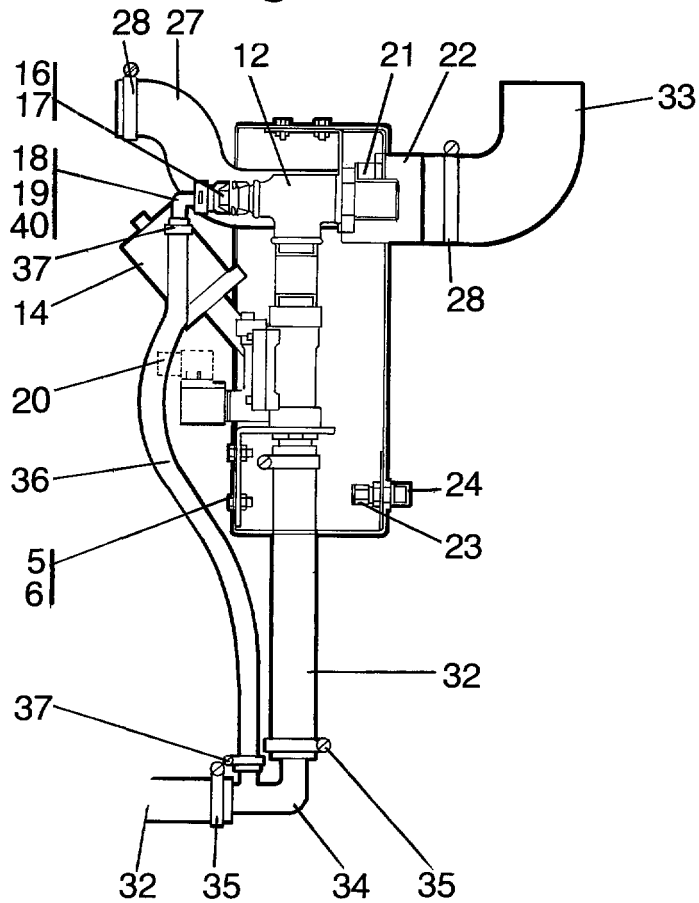
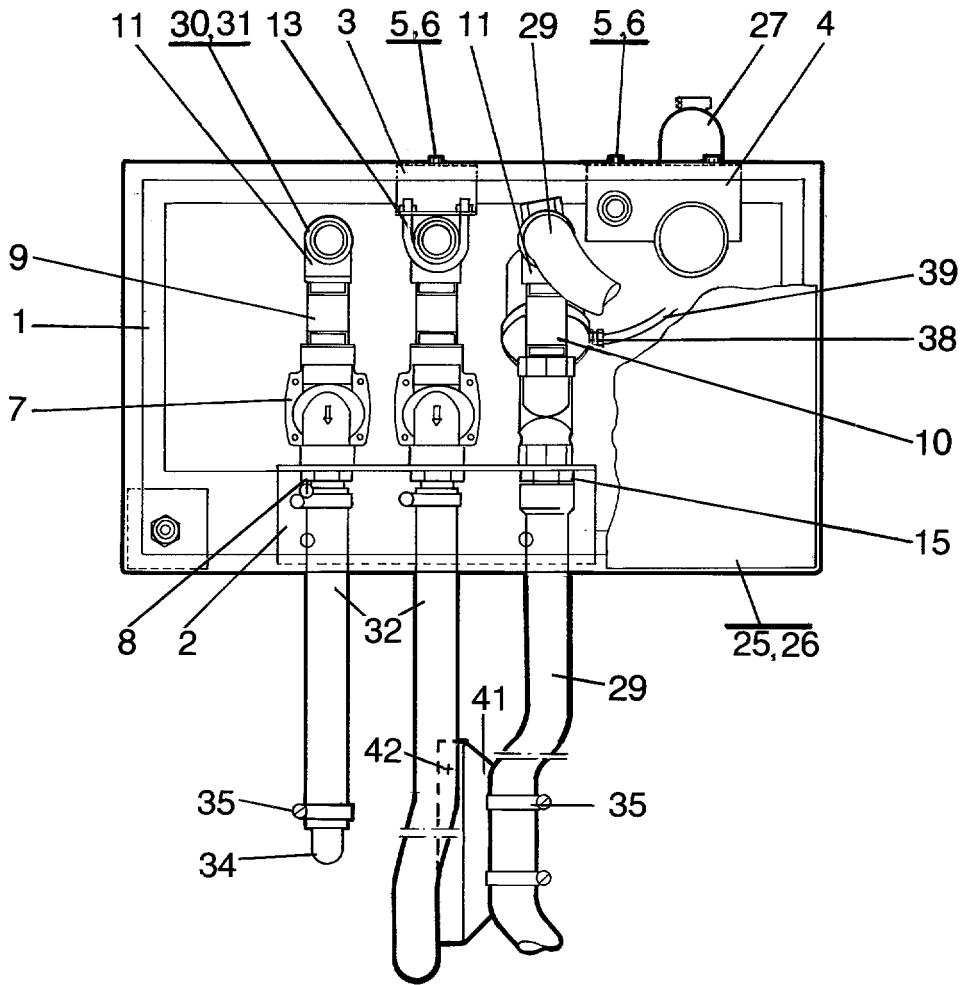
EX-200 83/1061-,EX-200 HI-TEK 83/1061-

Control unit MP

Unité de commande MP

| | | | |
|---------------|----------|----------|-------------|
| Illustration | Issue | Month | Year |
| Schéma | Issue | Month | Year |
| 100480 | 7 | 9 | 1991 |

| Item Article | Qua Qua | Art.No Réf. article | Description | Description | Info Info | Notes Remarques |
|-----------------|------------|------------------------|------------------|------------------------|--------------|-------------------------------|
| 48 | 1 | 762 1209-10 | •Grommet | •Oeillet | 3 | |
| 49 | 1 | 471 4783-01 | •Panel sign | •Voyant du tableau | 3 | English -89/1552 |
| | 1 | 472 5756-01 | •Panel sign | •Voyant du tableau | 3 | English 89/1553- |
| | 1 | 471 4783-08 | •Panel sign | •Voyant du tableau | 3 | French -89/1552 |
| | 1 | 472 5756-08 | •Panel sign | •Voyant du tableau | 3 | French 89/1553- |
| 50 | 1 | 471 7963-01 | •Safety cover | •Revêtement protection | 3 | |
| 51 | 1 | | Memory cartridge | Cassette de mémoire | 3 | SEE See group US8342 |
| 52 | 1 | 471 9529-10 | Mains filter | Filtre de filet | 1 | 208-240V 380-415V 3N~ 50Hz |
| | 1 | 471 9529-03 | Mains filter | Filtre de filet | 1 | 380-500V 3~50Hz |
| 53 | 2 | 724 1224-01 | Screw | Vis | 3 | MRX 3X10 |
| 54 | 2 | 731 2310-01 | Nut | Écrou | 3 | M3 |



| Issue | Month | Year |
|-------|-------|------|
| 01 | 05 | 88 |

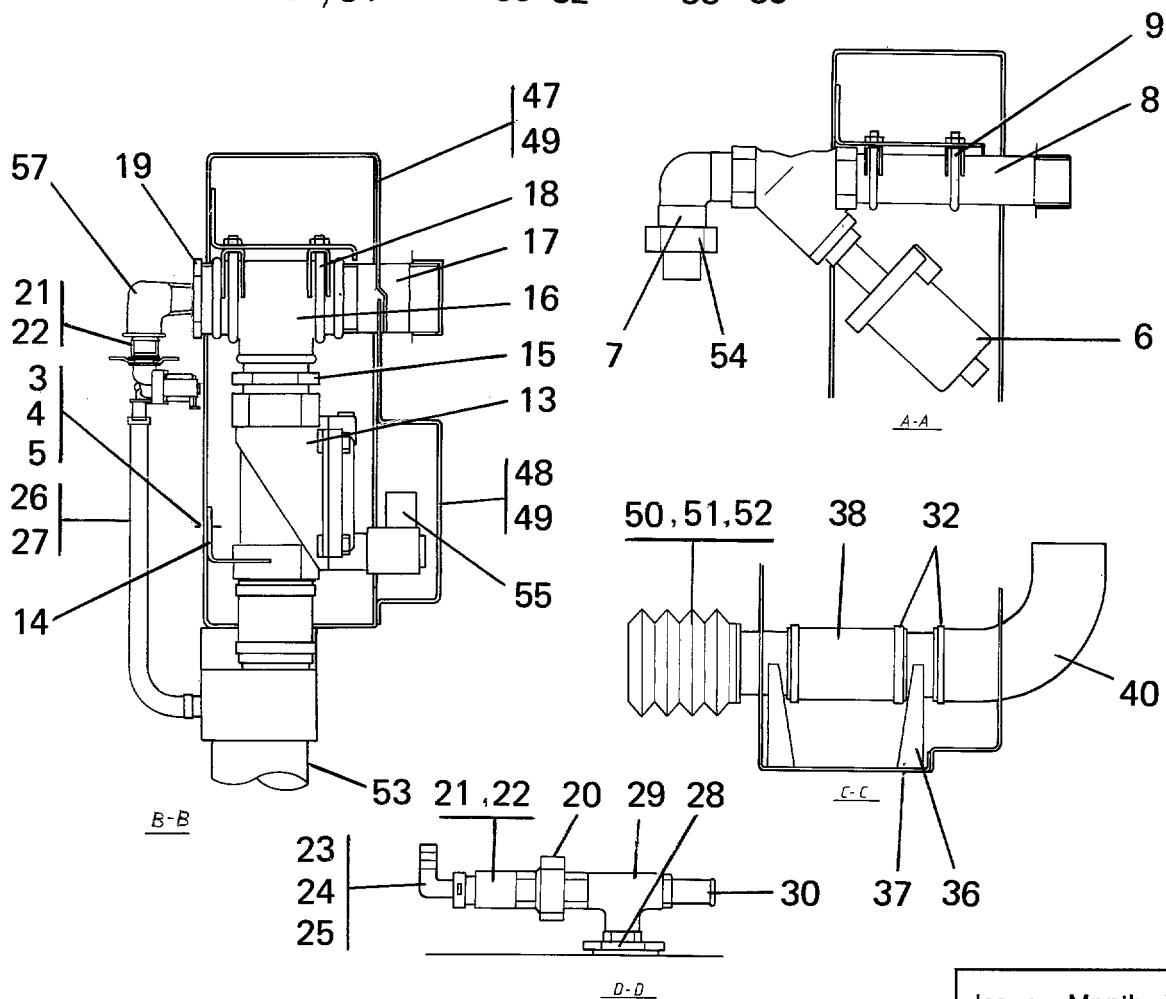
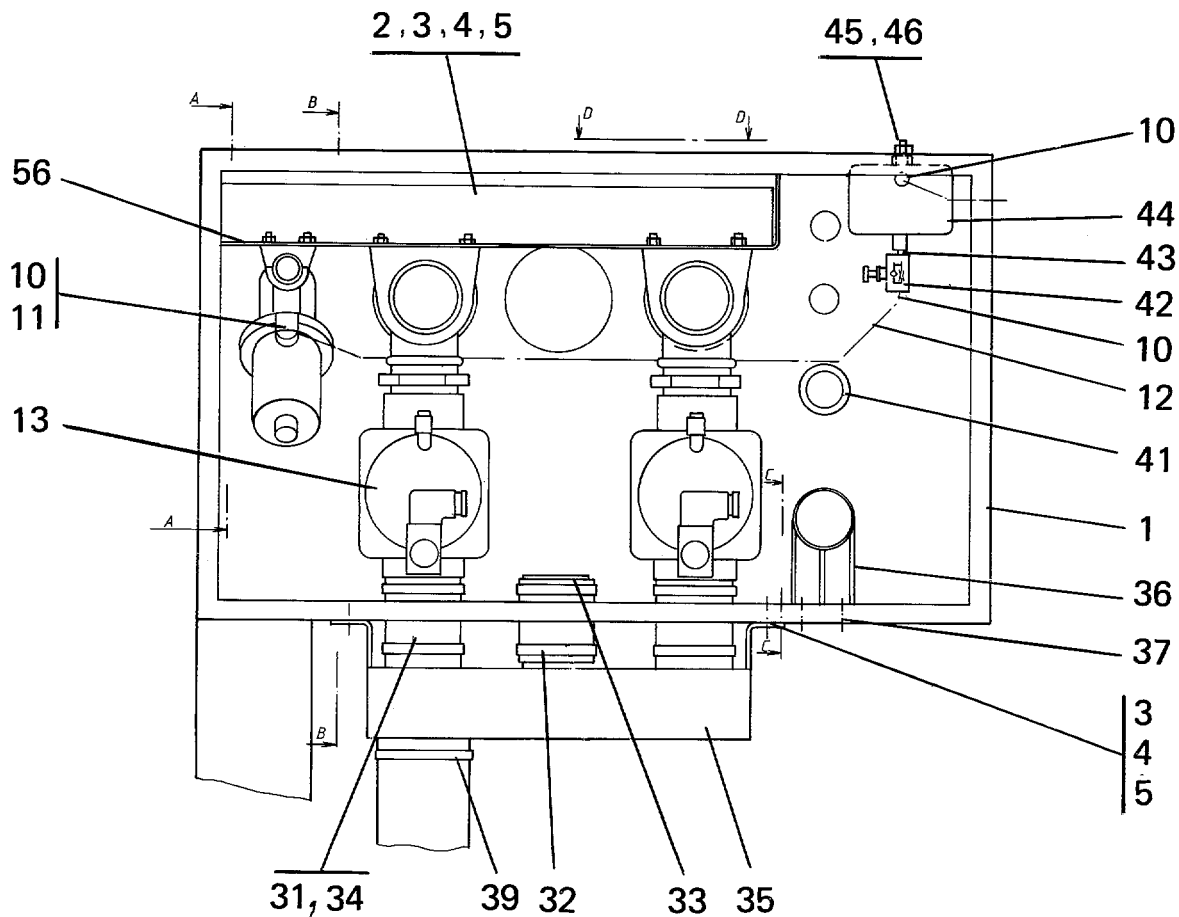
EX-200 -83/1060,EX-200 HI-TEK -83/1060

Steam and water valves

Souppes vapeur et eau

Illustration Issue Month Year
Schéma Issue Month Year
100438 1 5 1988

| Item Article | Qua Qua | Art.No Réf. article | Description | Description | Info Info | Notes Remarques |
|-----------------|------------|------------------------|----------------|----------------------|--------------|-----------------------------|
| 1 | 1 | 471 4310-67 | Container | Conteneur | 3 | White |
| | 1 | 471 4246-01 | Container | Conteneur | 3 | Yellow |
| 2 | 1 | 471 4310-66 | Angle | Coude | 3 | |
| 3 | 1 | 471 4205-01 | Valve mounting | Montage des soupapes | 3 | |
| 4 | 1 | 471 4309-84 | Connection | Flexible caoutchouc | 3 | |
| 5 | 8 | 725 2449-51 | Screw | Vis | 3 | M8X16 |
| 6 | 8 | 731 2318-01 | Nut | Écrou | 3 | M8 |
| 7 | 2 | 471 8210-32 | Valve | Souppes | 1,2 | 50Hz See group US8116 |
| | 2 | 471 8210-31 | Valve | Souppes | 1,2 | 60Hz See group US8116 |
| 8 | 2 | 471 8614-00 | Hose nipple | Mamelon de flexible | 3 | |
| 9 | 2 | 471 8608-01 | Nipple pipe | Tuyau raccordement | 3 | |
| 10 | 4 | 471 8608-02 | Nipple pipe | Tuyau raccordement | 3 | |
| 11 | 2 | 471 9209-74 | Elbow pipe | Tube en V | 3 | |
| 12 | 1 | 471 8603-01 | T-pipe | Tube en T | 3 | |
| 13 | 1 | 471 2468-99 | Clamp | Attache | 3 | |
| 14 | 1 | 471 9041-80 | Valve | Souppes | 1,2 | 50/60Hz |
| 15 | 1 | 471 9228-03 | Nipple | Raccord | 3 | 1 1/4" |
| 16 | 1 | 471 8234-02 | Valve | Souppes | 1,2 | 50Hz 1-way See group US8110 |
| | 1 | 471 8234-05 | Valve | Souppes | 1,2 | 60Hz 1-way See group US8110 |
| 17 | 1 | 471 6900-68 | •Restrictor | •Réducteur de débit | 3 | 20L/MIN |
| 18 | 1 | 471 9010-73 | Nut | Écrou | 3 | DN15 |
| 19 | 1 | 471 2265-74 | Gasket | Joint | 3 | |
| 20 | 1 | 471 8210-90 | Connector | Connexion | 3 | |
| 21 | 1 | 471 2075-27 | Hose nipple | Mamelon de flexible | 3 | |
| 22 | 1 | 471 9054-29 | Muff | Tubulure | 3 | |
| 23 | 1 | 471 9062-94 | Connection | Embrayage | 3 | -83/1030 |
| 24 | 1 | 471 9226-04 | Bushing | Douille | 3 | -83/1030 |
| 25 | 1 | 471 4108-57 | Cover | Couvercle | 3 | White |
| | 1 | 471 4242-01 | Cover | Couvercle | 3 | Yellow |
| 26 | 10 | 471 9100-49 | Screw | Vis | 3 | RX5X6 |
| 27 | 1 | 471 4107-99 | Hose | Flexible | 1 | |
| 28 | 3 | 736 2849-51 | Hose clamp | Attache flexible | 3 | Ø77-93 |
| 29 | 2 | 471 8126-04 | Hose | Flexible | 1 | |
| 30 | 2 | 471 9228-41 | Hose | Flexible | 1 | |
| 31 | 6 | 471 9228-03 | Nipple | Raccord | 3 | 1 1/4" |
| 32 | 2 | 472 6969-01 | Hose | Flexible | 1 | |
| 33 | 1 | 471 4835-02 | Hose | Flexible | 1 | |
| 34 | 1 | 471 4203-01 | Angle | Coude | 3 | |
| 35 | 6 | 736 2831-51 | Hose clamp | Attache flexible | 3 | Ø36-42 |
| 36 | 1 | 471 8116-01 | Hose | Flexible | 1 | |
| 37 | 2 | 736 2828-51 | Hose clamp | Attache flexible | 3 | |
| 38 | 1 | 471 9062-94 | Connection | Embrayage | 3 | 83/1031- |
| 39 | 1 | 471 4647-82 | Hose | Flexible | 1 | 83/1031- |
| 40 | 1 | 471 9009-38 | Hose sleeve | Manchon | 3 | |
| 41 | 1 | 472 6819-01 | Bracket | Support de montage | 3 | 83/1031- |
| 42 | 2 | 725 2366-61 | ••Screw | ••Vis | 3 | M6SF 6X12 83/1031- |



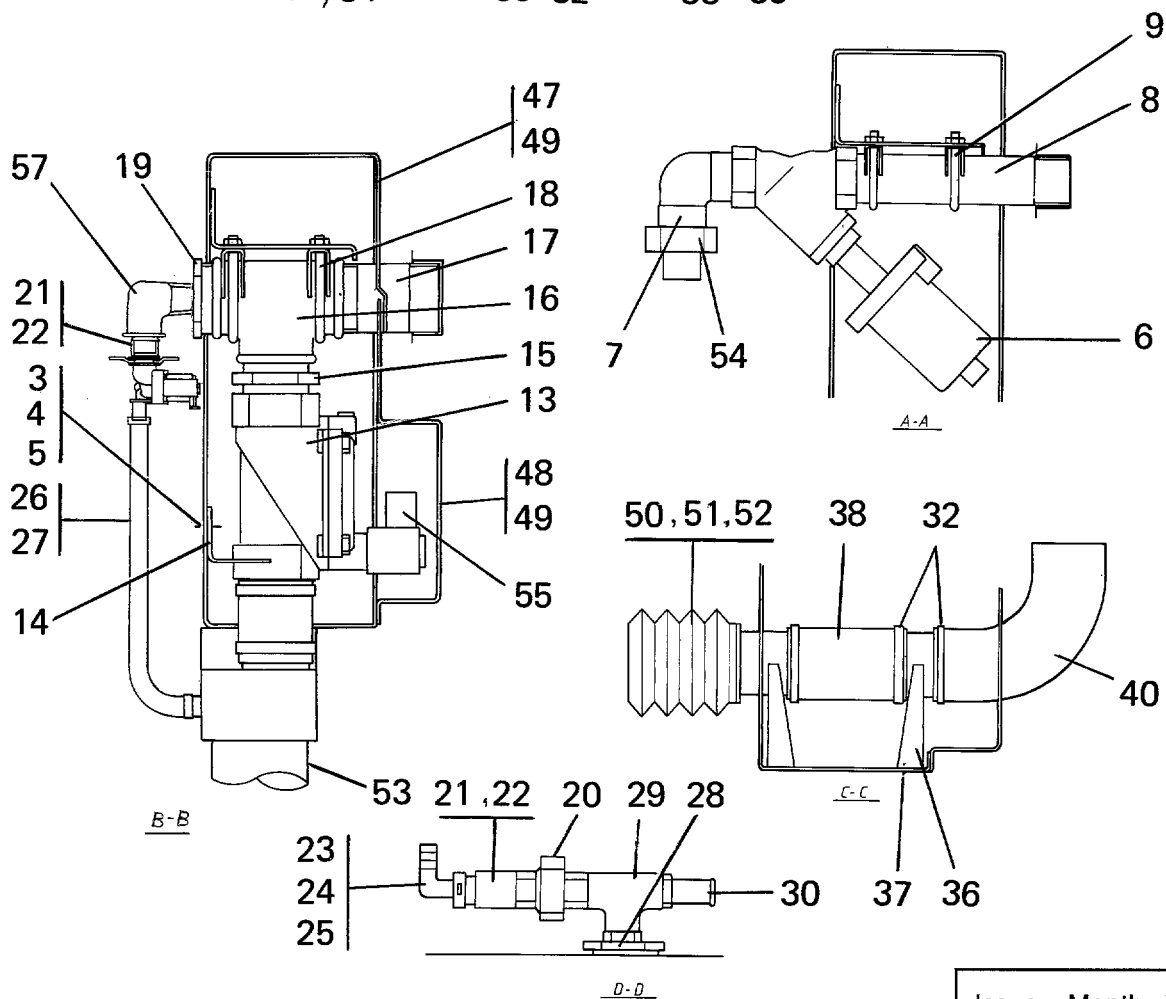
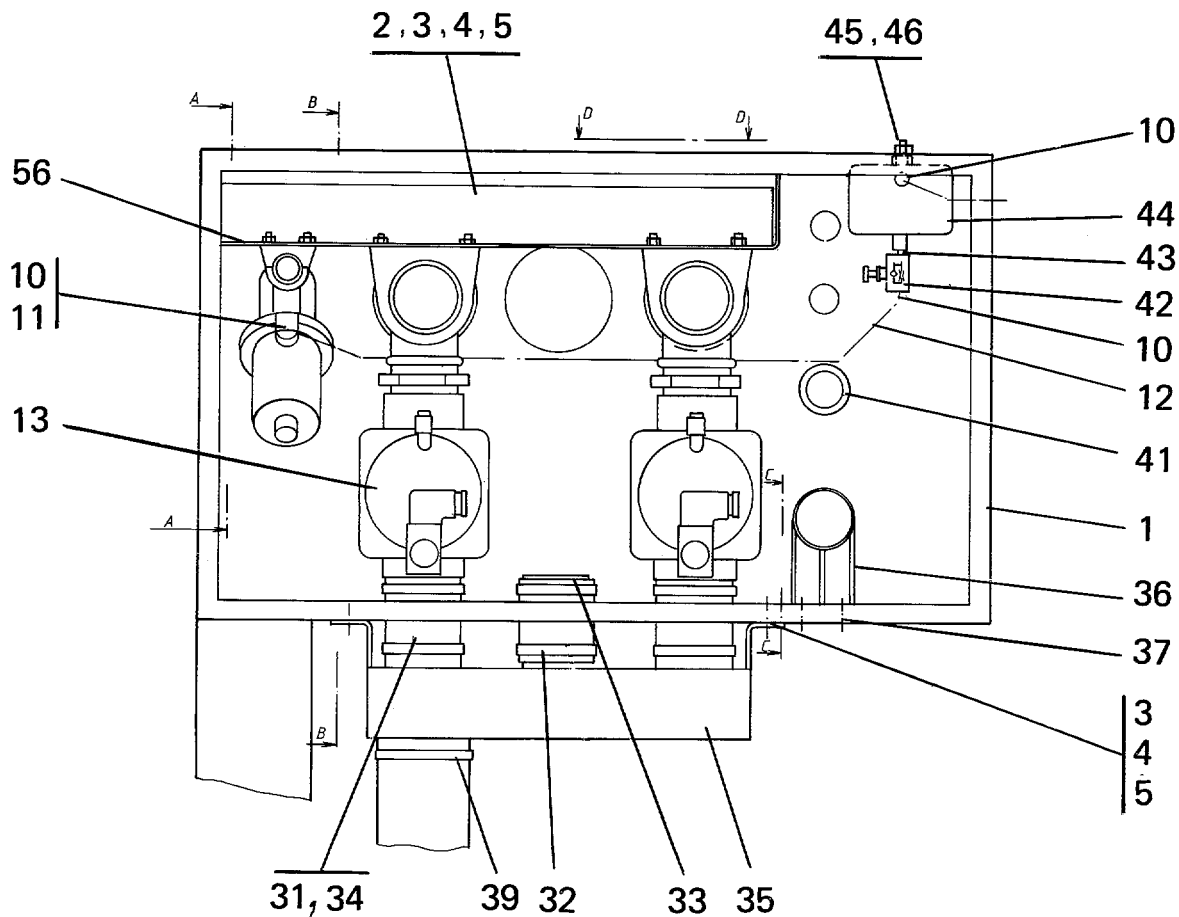
EX-200 83/1061-,EX-200 HI-TEK 83/1061-

Steam and water valves

Souppes vapeur et eau

Illustration Issue Month Year
Schéma Issue Month Year
100439 2 4 1991

| Item Article | Qua Qua | Art.No Réf. article | Description | Description | Info Info | Notes Remarques |
|-----------------|------------|------------------------|-----------------|---------------------|--------------|-----------------------------|
| 1 | 1 | 472 6825-01 | Container | Conteneur | 3 | |
| 2 | 1 | 472 6826-01 | Mounting plate | Plaque de montage | 3 | |
| 3 | 12 | 725 2368-51 | Screw | Vis | 3 | M6X16 |
| 4 | 12 | 734 1153-01 | Washer | Rondelle | 3 | BRB 6,4X12 |
| 5 | 12 | 731 2316-01 | Nut | Écrou | 3 | M6 |
| 6 | 1 | 471 9041-80 | Valve | Souppes | 1,2 | 50/60Hz |
| 7 | 1 | 471 9209-46 | Elbow pipe | Tube en V | 3 | 1 1/4" |
| 8 | 1 | 471 2468-98 | Pipe | Tube | 3 | |
| 9 | 2 | 471 7858-03 | Clamp | Attache | 3 | |
| 10 | 3 | 471 9062-93 | Angle connector | Raccord d'angle | 3 | |
| 11 | 1 | 741 4102-20 | Bushing | Douille | 3 | |
| 12 | 1 | 471 4647-83 | Hose | Flexible | 3 | D6X1X750 |
| 13 | 2 | 471 8210-52 | Valve | Souppes | 1,2 | 2", 50Hz See group US8116 |
| | 2 | 471 8210-51 | Valve | Souppes | 1,2 | 2", 60Hz See group US8116 |
| 14 | 2 | 472 6830-02 | Angle | Coude | 3 | |
| 15 | 2 | 471 8629-07 | Muff | Tubulure | 3 | |
| 16 | 2 | 471 8603-11 | T-pipe | Tube en T | 3 | 2" |
| 17 | 2 | 471 8620-27 | Nipple pipe | Tuyau raccordement | 3 | |
| 18 | 4 | 471 7858-02 | Clamp | Attache | 3 | |
| 19 | 2 | 471 8604-01 | Bushing | Douille | 3 | |
| 20 | 1 | 471 8649-01 | Connection | Embrayage | 3 | |
| 21 | 2 | 471 8234-02 | Valve | Souppes | 1,2 | 50Hz 1-way See group US8110 |
| | 2 | 471 8234-05 | Valve | Souppes | 1,2 | 60Hz 1-way See group US8110 |
| 22 | 2 | 471 6900-68 | Restrictor | Réducteur de débit | 1,2 | |
| 23 | | | | | | Not used |
| 24 | | | | | | Not used |
| 25 | | | | | | Not used |
| 26 | 1 | 471 2409-93 | Hose | Flexible | 3 | |
| 27 | 2 | 736 2819-51 | Hose clamp | Attache flexible | 3 | |
| 28 | 1 | 741 3115-11 | Nipple | Raccord | 3 | |
| 29 | 1 | 742 5115-11 | T-pipe | Tube en T | 3 | |
| 30 | 1 | 471 8614-02 | Hose nipple | Mamelon de flexible | 3 | R3/4" |
| 31 | 2 | 471 8128-21 | Hose | Flexible | 3 | 2" |
| 32 | 3 | 736 2840-51 | Hose clamp | Attache flexible | 3 | Ø50-63 |
| 33 | 1 | 471 2409-89 | Hood | Capot | 3 | |
| 34 | 2 | 472 6837-01 | Pipe | Tube | 3 | 2" |
| 35 | 1 | 472 6827-01 | Box | Boîtier | 3 | |
| 36 | 2 | 471 2903-01 | Joint piece | Raccord | 3 | |
| 37 | 4 | 729 5410-01 | Screw | Vis | 3 | RXS B10X13 |
| 38 | 1 | 471 8128-31 | Hose | Flexible | 3 | |
| 39 | 6 | 736 2843-51 | Hose clamp | Attache flexible | 3 | Ø63-73 |
| 40 | 1 | 472 7206-01 | Hose | Flexible | 3 | |
| 41 | 1 | 762 1209-10 | Grommet | Oeillet | 3 | |
| 42 | 1 | 471 8222-01 | Valve | Souppes | 1,2 | |
| 43 | 1 | 741 3109-21 | Nipple | Raccord | 3 | |
| 44 | 1 | 472 6835-01 | Container | Conteneur | 3 | |
| 45 | 1 | 734 1164-01 | Washer | Rondelle | 3 | 8,4X17 |
| 46 | 1 | 731 2318-01 | Nut | Écrou | 3 | M8 |
| 47 | 1 | 472 6838-01 | Cover plate | Plaque recouvrement | 3 | |
| 48 | 1 | 472 6839-01 | Cover plate | Plaque recouvrement | 3 | |
| 49 | 9 | 725 2364-61 | Screw | Vis | 3 | M6SF 6X10 |
| 50 | 1 | 472 6025-00 | Hose | Flexible | 1 | |
| 51 | 1 | 472 6024-00 | Ring | Anneau | 3 | |
| 52 | 2 | 736 2840-51 | Hose clamp | Attache flexible | 3 | Ø50-63 |
| 53 | 1 | 471 4835-01 | Hose | Flexible | 1 | |
| 54 | 1 | 471 9228-03 | Nipple | Raccord | 3 | 1 1/4" 1 1/4" |
| 55 | 2 | 471 8210-90 | Connector | Connexion | 3 | |



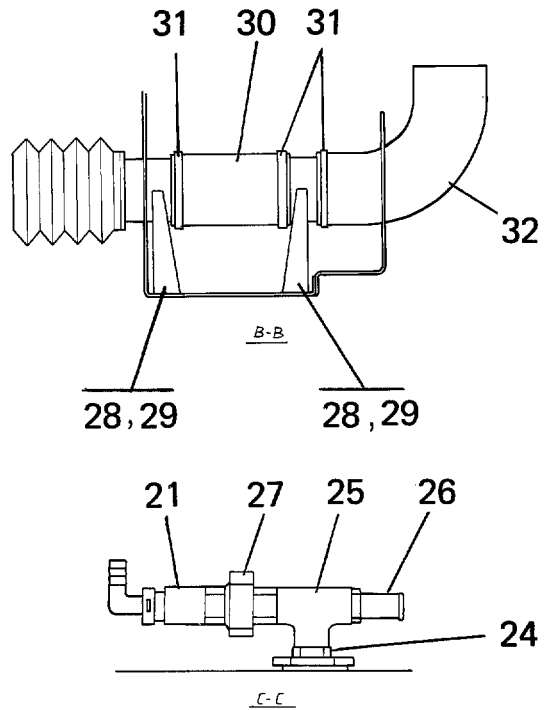
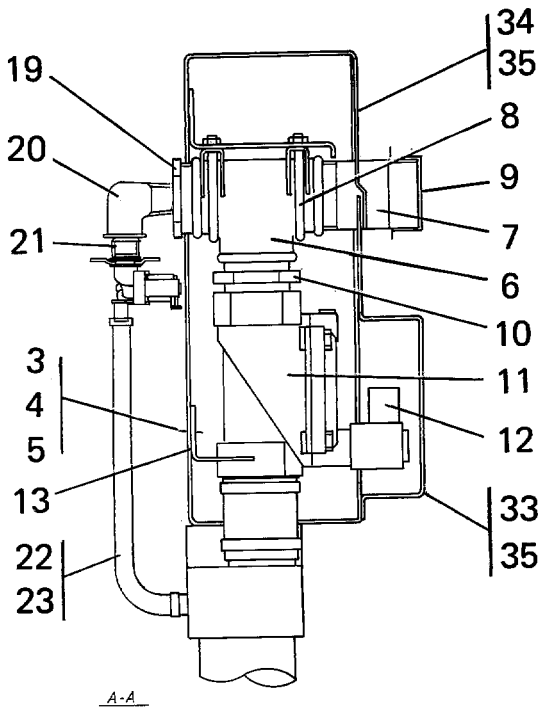
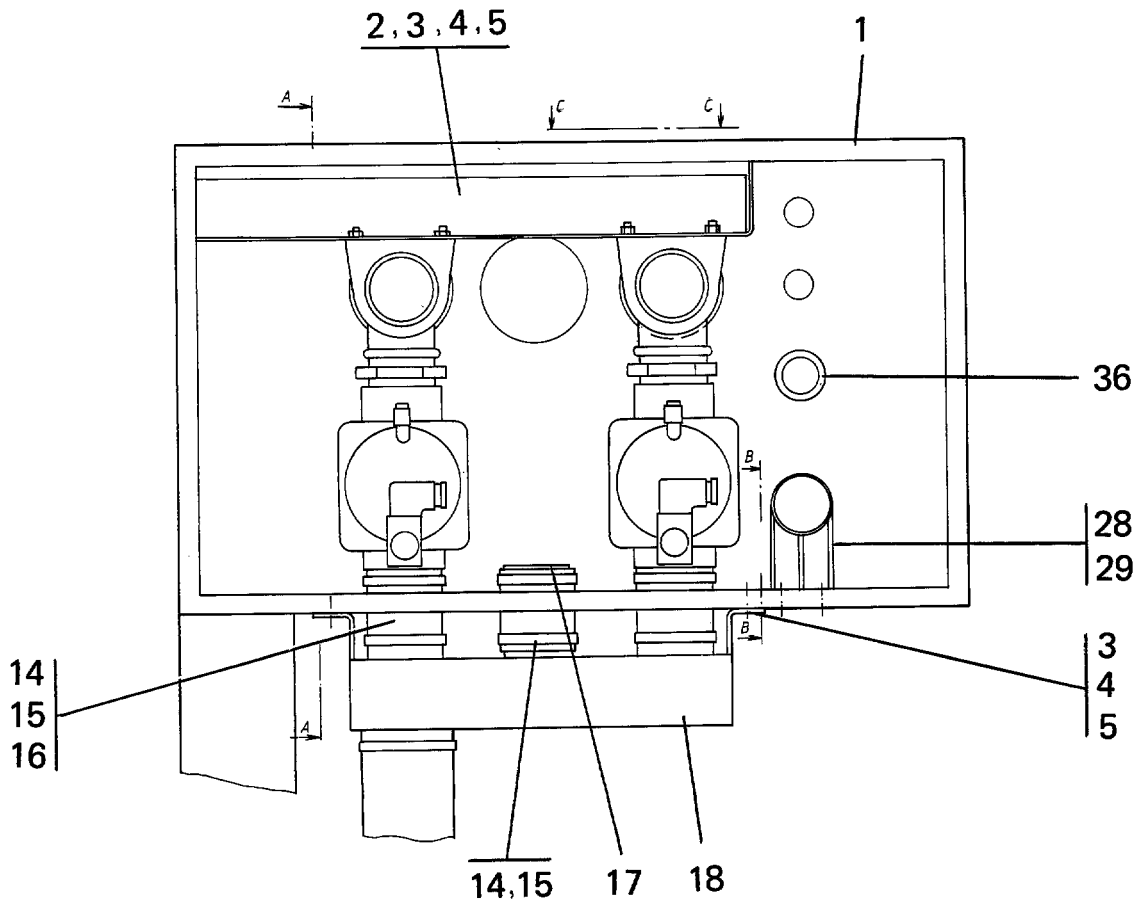
EX-200 83/1061-,EX-200 HI-TEK 83/1061-

Steam and water valves

Soupapes vapeur et eau

| | | | |
|---------------|----------|----------|-------------|
| Illustration | Issue | Month | Year |
| Schéma | Issue | Month | Year |
| 100439 | 2 | 4 | 1991 |

| Item Article | Qua Qua | Art.No Réf. article | Description | Description | Info Info | Notes Remarques |
|-----------------|------------|------------------------|-------------|-------------|--------------|--------------------|
| 56 | 4 | 471 9019-34 | Washer | Rondelle | 3 | TBRSB 8,4X26 |
| 57 | 1 | 471 9030-35 | Elbow pipe | Tube en V | 3 | 3/4" |



EX-200 83/1061-,EX-200 HI-TEK 83/1061-

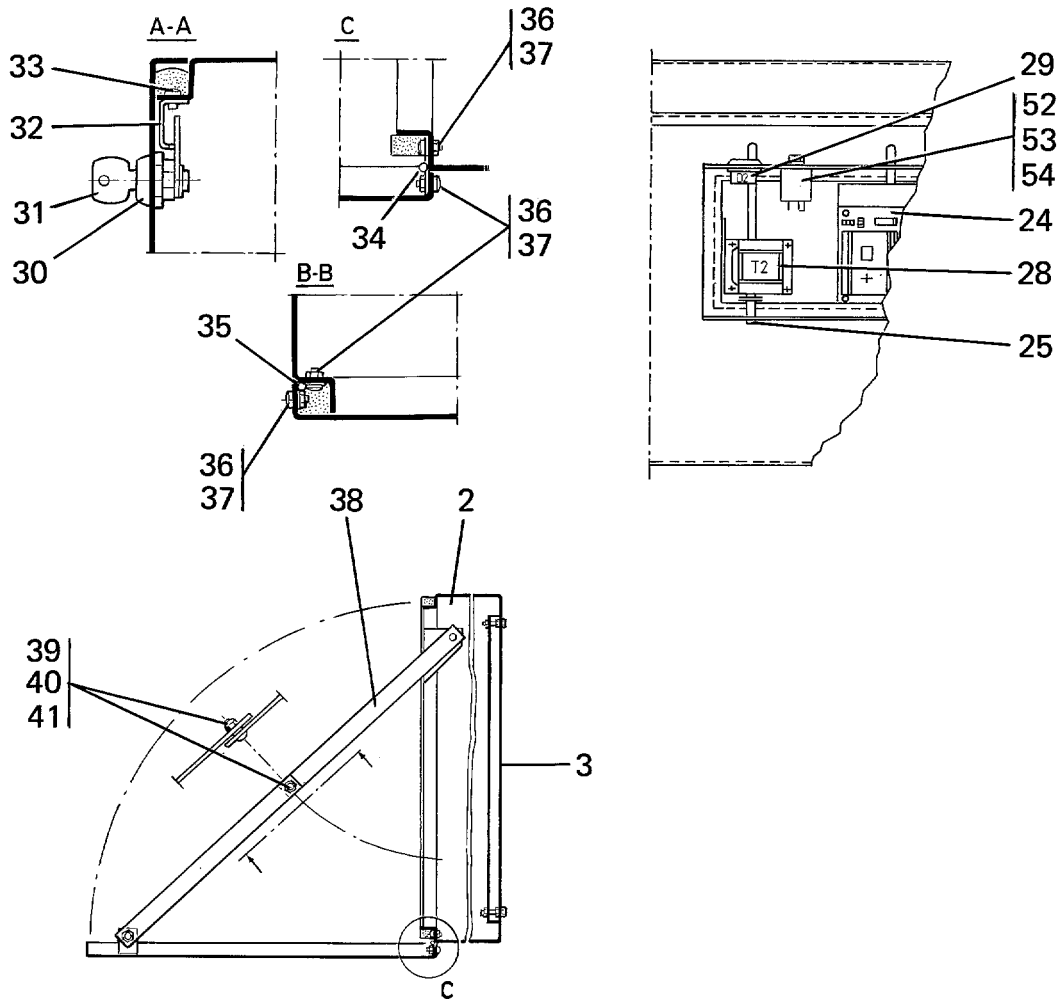
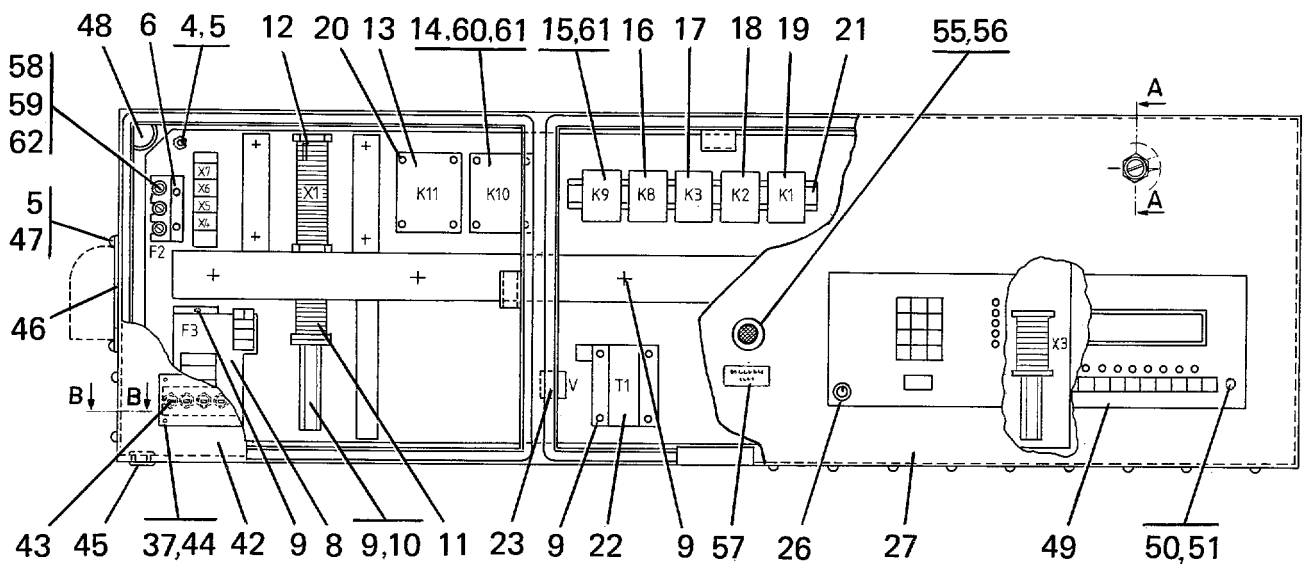
Water valves, electrically heated

Soupapes eau, chauffage électrique

Illustration Issue Month Year
Schéma Issue Month Year
100482 1 5 1988

| Item Article | Qua Qua | Art.No Réf. article | Description | Description | Info Info | Notes Remarques |
|-----------------|------------|------------------------|----------------|---------------------|--------------|-----------------------------|
| 1 | 1 | 472 6825-01 | Container | Conteneur | 3 | |
| 2 | 1 | 472 6826-01 | Mounting plate | Plaque de montage | 3 | |
| 3 | 12 | 725 2368-51 | Screw | Vis | 3 | M6X16 |
| 4 | 12 | 734 1153-01 | Washer | Rondelle | 3 | BRB 6,4X12 |
| 5 | 12 | 731 2316-01 | Nut | Écrou | 3 | M6 |
| 6 | 2 | 471 8603-11 | T-pipe | Tube en T | 3 | 2" |
| 7 | 2 | 471 8620-27 | Nipple pipe | Tuyau raccordement | 3 | |
| 8 | 4 | 471 7858-02 | Clamp | Attache | 3 | |
| 9 | 2 | 471 8657-06 | Plug | Fiche | 3 | |
| 10 | 2 | 471 8629-07 | Muff | Tubulure | 3 | |
| 11 | 2 | 471 8210-52 | Valve | Soupape | 1,2 | 2", 50Hz See group US8116 |
| | 2 | 471 8210-51 | Valve | Soupape | 1,2 | 2", 60Hz See group US8116 |
| 12 | 2 | 471 8210-90 | Connector | Connexion | 3 | |
| 13 | 2 | 472 6830-02 | Angle | Coude | 3 | |
| 14 | 3 | 471 8128-21 | Hose | Flexible | 1,2 | 2" |
| 15 | 2 | 472 6837-01 | Pipe | Tube | 3 | 2" |
| 16 | 6 | 736 2843-51 | Hose clamp | Attache flexible | 3 | Ø63-73 |
| 17 | 1 | 472 6833-01 | Hood | Capot | 3 | |
| 18 | 1 | 472 6827-01 | Box | Boîtier | 3 | |
| 19 | 2 | 471 8604-01 | Bushing | Douille | 3 | |
| 20 | 1 | 471 9030-35 | Elbow pipe | Tube en V | 3 | 3/4" |
| 21 | 2 | 471 8234-02 | Valve | Soupape | 1,2 | 50Hz 1-way See group US8110 |
| | 2 | 471 8234-05 | Valve | Soupape | 1,2 | 60Hz 1-way See group US8110 |
| 22 | 1 | 471 2409-93 | Hose | Flexible | 3 | |
| 23 | 2 | 736 2819-51 | Hose clamp | Attache flexible | 3 | |
| 24 | 1 | 741 3115-11 | Nipple | Raccord | 3 | |
| 25 | 1 | 742 5115-11 | T-pipe | Tube en T | 3 | |
| 26 | 1 | 471 8614-02 | Hose nipple | Mamelon de flexible | 3 | R3/4" |
| 27 | 3 | 471 8649-01 | Connection | Embrayage | 3 | |
| 28 | 2 | 471 2903-01 | Joint piece | Raccord | 3 | |
| 29 | 4 | 729 5410-01 | Screw | Vis | 3 | RXS B10X13 |
| 30 | 1 | 471 8128-31 | Hose | Flexible | 1,2 | |
| 31 | 3 | 736 2840-51 | Hose clamp | Attache flexible | 3 | Ø50-63 |
| 32 | 1 | 472 7206-01 | Hose | Flexible | 1,2 | |
| 33 | 1 | 472 6839-01 | Cover plate | Plaque recouvrement | 3 | |
| 34 | 1 | 472 6838-01 | Cover plate | Plaque recouvrement | 3 | |
| 35 | 9 | 725 2364-61 | Screw | Vis | 3 | M6SF 6X10 |
| 36 | 1 | 762 1209-10 | Grommet | Oeillet | 3 | |

1



EX-200,EX-200 HI-TEK

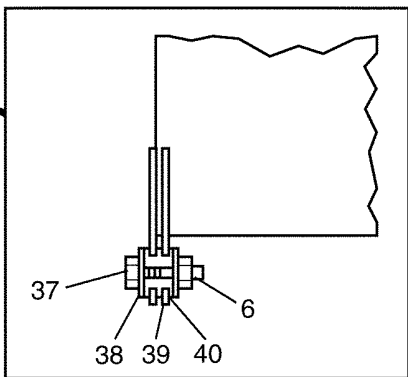
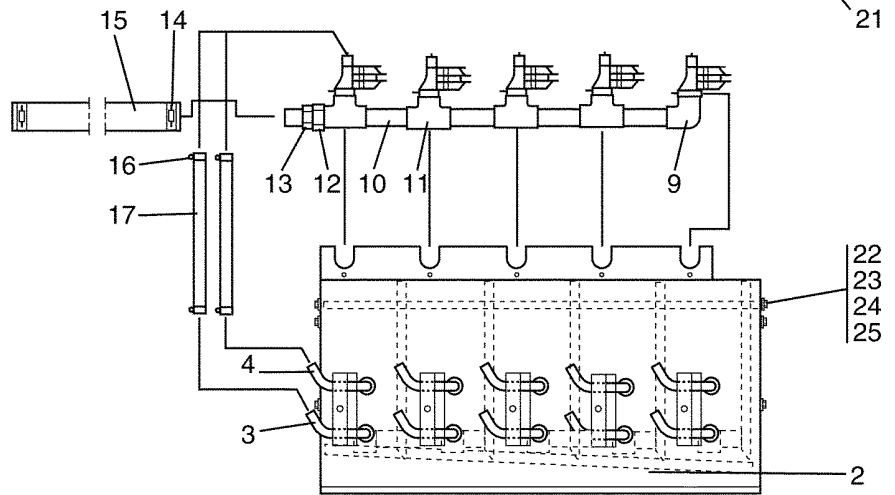
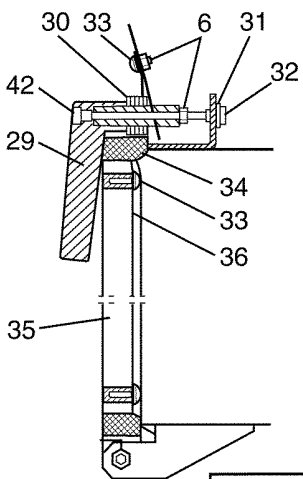
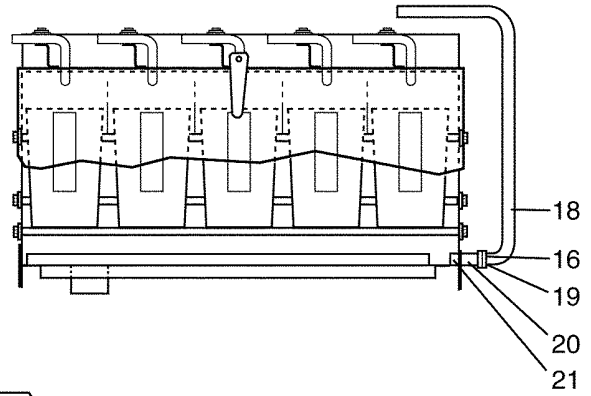
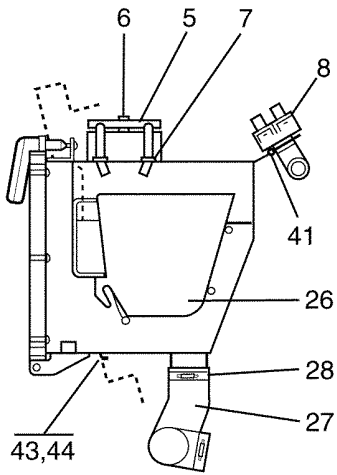
Steam heated

Vapeur

Illustration Issue Month Year
Schéma Issue Month Year
100481 1 5 1988

| Item Article | Qua Qua | Art.No Réf. article | Description | Description | Info Info | Notes Remarques |
|-----------------|------------|------------------------|----------------|---------------------|--------------|--------------------|
| 1 | 1 | 472 6825-01 | Container | Conteneur | 3 | |
| 2 | 1 | 472 6826-01 | Mounting plate | Plaque de montage | 3 | |
| 3 | 17 | 725 2368-51 | Screw | Vis | 3 | M6X16 |
| 4 | 17 | 731 2316-01 | Nut | Écrou | 3 | M6 |
| 5 | 1 | 471 8608-06 | Pipe | Tube | 3 | |
| 6 | 2 | 471 7858-03 | Clamp | Attache | 3 | |
| 7 | 1 | 471 8657-05 | Plug | Fiche | 3 | |
| 8 | 1 | 742 1117-20 | Angle | Coude | 3 | |
| 9 | 1 | 471 9228-03 | Nipple | Raccord | 3 | 1 1/4" |
| 10 | 1 | | Hose | Flexible | | |
| 11 | 3 | 471 8608-09 | Nipple pipe | Tuyau raccordement | 3 | |
| 12 | 6 | 471 7858-02 | Clamp | Attache | 3 | |
| 13 | 3 | 471 8657-06 | Plug | Fiche | 3 | |
| 14 | 3 | 471 8603-11 | T-pipe | Tube en T | 3 | 2" |
| 15 | 3 | 471 8604-01 | Bushing | Douille | 3 | |
| 16 | 3 | 741 5115-00 | Plug | Fiche | 3 | |
| 17 | 1 | 472 6827-01 | Box | Boîtier | 3 | |
| 18 | 1 | 471 9037-73 | Sleeve | Manchon | 3 | |
| 19 | 1 | 736 2819-51 | Hose clamp | Attache flexible | 3 | |
| 20 | 1 | 471 8608-10 | Nipple pipe | Tuyau raccordement | 3 | |
| 21 | 1 | 472 9201-01 | Bracket | Support de montage | 3 | |
| 22 | 2 | 471 7858-04 | Clamp | Attache | 3 | |
| 23 | 1 | 742 5115-11 | T-pipe | Tube en T | 3 | |
| 24 | 1 | 471 8614-02 | Hose nipple | Mamelon de flexible | 3 | R3/4" |
| 25 | 1 | 471 8234-02 | Valve | Soupape | 1,2 | 50Hz 1-way |
| | 1 | 471 8234-05 | Valve | Soupape | 1,2 | 60Hz 1-way |
| 26 | 2 | 471 2903-01 | Joint piece | Raccord | 3 | |
| 27 | 4 | 729 5410-01 | Screw | Vis | 3 | RXS B10X13 |
| 28 | 1 | 471 8128-31 | Hose | Flexible | 1,2 | |
| 29 | 3 | 736 2840-51 | Hose clamp | Attache flexible | 3 | Ø50-63 |
| 30 | 1 | 472 7206-01 | Hose | Flexible | 1,2 | |
| 31 | 3 | 471 8620-27 | Nipple pipe | Tuyau raccordement | 3 | |
| 32 | 3 | 471 8128-19 | Hose | Flexible | 1,2 | |
| 33 | 6 | 736 2843-51 | Hose clamp | Attache flexible | 3 | Ø63-73 |
| 34 | 1 | 472 6838-01 | Cover plate | Plaque recouvrement | 3 | |
| 35 | 1 | 472 6839-01 | Cover plate | Plaque recouvrement | 3 | |
| 36 | 9 | 725 2364-61 | Screw | Vis | 3 | M6SF 6X10 |

1



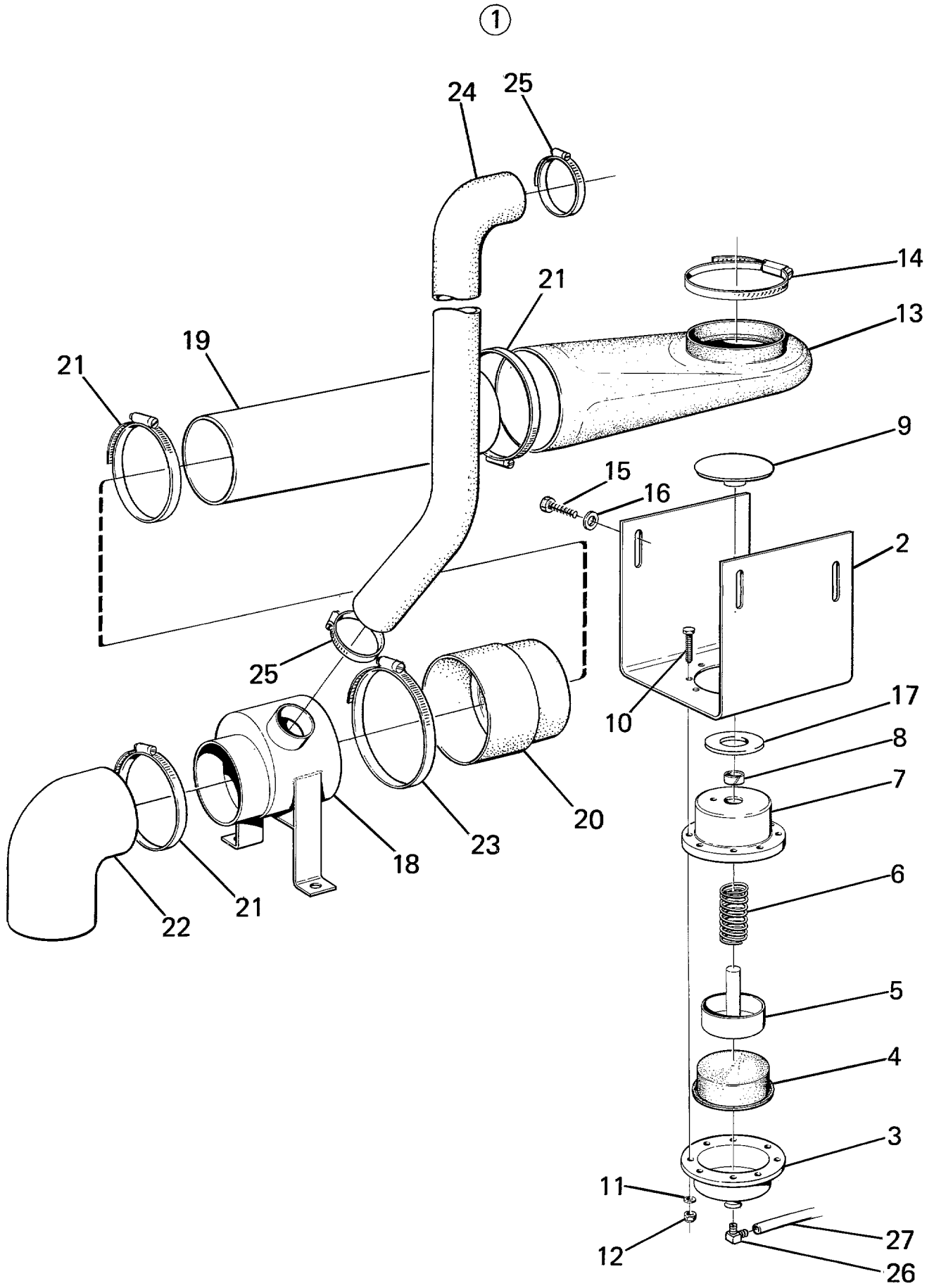
EX-200,EX-200 HI-TEK

Dispensing components

Distributeur de savon

Illustration Issue Month Year
Schéma Issue Month Year
100440/1 1 5 1988

| Item Article | Qua Qua | Art.No Réf. article | Description | Description | Info Info | Notes Remarques |
|-----------------|------------|------------------------|---------------------|----------------------|--------------|--------------------------------------|
| 1 | 1 | 471 4052-01 | Detergent container | Compartiment à savon | 3 | 50Hz |
| | 1 | 471 4052-02 | Detergent container | Compartiment à savon | 3 | 60Hz |
| 2 | 1 | 471 4050-01 | •Container | •Conteneur | 3 | |
| 3 | 5 | 471 4045-01 | •Pipe | •Tube | 3 | |
| 4 | 5 | 471 4044-01 | •Pipe | •Tube | 3 | |
| 5 | 5 | 471 4041-01 | •Bracket | •Support de montage | 3 | |
| 6 | 12 | 731 2314-92 | •Nut | •Écrou | 3 | M5 SS |
| 7 | 11 | 471 8164-01 | •Grommet | •Oeillet | 1 | D11 |
| 8 | 5 | 471 8235-01 | •Valve | •Soupape | 1,2 | See group US8111 |
| | 5 | 471 8235-09 | •Valve | •Soupape | 1,2 | 208-240V 60Hz 2-way See group US8111 |
| 9 | 1 | 471 8632-05 | •Elbow pipe | •Tube en V | 3 | |
| 10 | 4 | 471 4215-01 | •Pipe | •Tube | 3 | |
| 11 | 4 | 471 8634-05 | •T-pipe | •Tube en T | 3 | |
| 12 | 1 | 471 8631-04 | •Muff | •Tubulure | 3 | |
| 13 | 1 | 471 8614-02 | •Hose nipple | •Mamelon de flexible | 3 | R3/4" |
| 14 | 2 | 736 2825-51 | •Hose clamp | •Attache flexible | 3 | Ø32 32 |
| 15 | 1 | 471 8116-03 | •Hose | •Flexible | 1 | L=1450 L-1000 |
| 16 | 20 | 736 2816-51 | •Hose clamp | •Attache flexible | 3 | Ø13-19 20 |
| 17 | 10 | 471 2413-33 | •Hose | •Flexible | 1 | |
| 18 | 1 | 471 2429-80 | •Hose | •Flexible | 1 | |
| 19 | 1 | 471 9075-57 | •Connection | •Embrayage | 3 | |
| 20 | 1 | 471 9063-05 | •Muff | •Tubulure | 3 | |
| 21 | 1 | 471 8643-01 | •Nozzle | •Tuyère | 1 | |
| 22 | 3 | 471 4039-02 | •Shaft | •Arbre | 3 | |
| 23 | 6 | 471 8517-01 | •Washer | •Rondelle | 3 | |
| 24 | 6 | 734 1164-09 | •Washer | •Rondelle | 3 | BRB 8,4X17 |
| 25 | 6 | 731 2318-42 | •Nut | •Écrou | 3 | M8SS |
| 26 | 5 | 471 4103-19 | •Cup | •Godet | 1 | |
| 27 | 1 | 471 4051-01 | •Hose | •Flexible | 1 | |
| 28 | 2 | 736 2840-51 | •Hose clamp | •Attache flexible | 3 | Ø50-63 65 |
| 29 | 1 | 472 6030-01 | •Handle | •Poignée | 1 | Complete |
| 30 | 4 | 734 1178-09 | •Washer | •Rondelle | 3 | BRB 13X24 |
| 31 | 1 | 471 8577-02 | •Bushing | •Douille | 1 | |
| 32 | 1 | 724 1335-01 | •Screw | •Vis | 3 | M5X30 |
| 33 | 4 | 724 1323-42 | •Screw | •Vis | 3 | M5X8 |
| 34 | 1 | 471 8174-02 | •Rubber strip | •Joint caoutchouc | 1 | |
| 35 | 1 | 471 4211-02 | •Door | •Plaque | 3 | |
| 36 | 1 | 471 4212-01 | •Door | •Plaque | 3 | |
| 37 | 2 | 724 1331-42 | •Screw | •Vis | 3 | M5X20 |
| 38 | 2 | 734 1146-01 | •Washer | •Rondelle | 3 | BRB 5,3X10 |
| 39 | 2 | 734 1173-09 | •Washer | •Rondelle | 3 | BRB 10,5X21 |
| 40 | 2 | 471 8576-01 | •Bearing bushing | •Douille de palier | 3 | |
| 41 | 5 | 724 1285-42 | •Screw | •Vis | 3 | M4X6 |
| 42 | 1 | 725 5340-01 | •Screw | •Vis | 3 | M5X45 |
| 43 | 4 | 724 1289-42 | •Screw | •Vis | 3 | M4X10 |
| 44 | 4 | 732 2312-42 | •Nut | •Écrou | 3 | M4 |



| Issue | Month | Year |
|-------|-------|------|
| 01 | 05 | 88 |

EX-200 -87/1329,EX-200 HI-TEK -87/1329

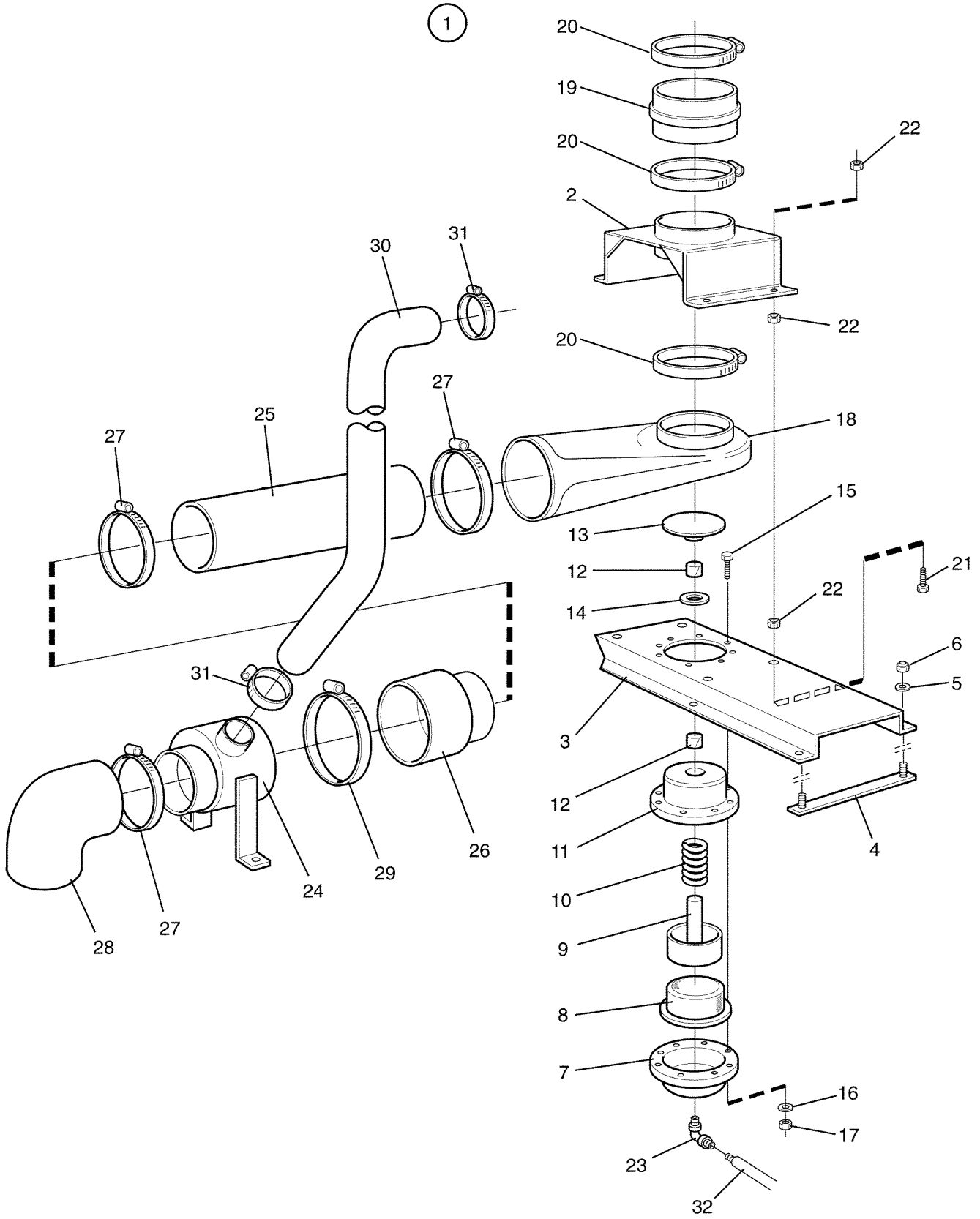
Drain valve

Purgeur

Illustration Issue Month Year
Schéma Issue Month Year
100441 1 5 1988

| Item Article | Qua Qua | Art.No Réf. article | Description | Description | Info Info | Notes Remarques |
|-----------------|------------|------------------------|-----------------|---------------------|--------------|--------------------|
| 1 | 1 | 471 4107-90 | Drain valve | Purgeur | 1 | Complete |
| 2 | 1 | 471 2417-29 | •Bracket | •Pièce de retenue | 3 | |
| 3 | 1 | 471 2417-21 | •Cover | •Couvercle | 1 | |
| 4 | 1 | 471 9065-37 | •Diaphragm | •Diaphragme | 1,2 | |
| 5 | 1 | 471 4023-00 | •Piston | •Piston | 1 | |
| 6 | 1 | 471 2417-25 | •Spring | •Ressort | 1 | |
| 7 | 1 | 471 4024-00 | •Cylinder | •Cylindre | 1 | |
| 8 | 1 | 471 8575-00 | •Bearing | •Coussinet | 1,2 | |
| 9 | 1 | 471 4021-00 | •Plate | •Tableau | 1,2 | |
| 10 | 8 | 725 2374-51 | •Screw | •Vis | 3 | M6X30 |
| 11 | 8 | 734 1153-01 | •Washer | •Rondelle | 3 | BRB 6,4X12 |
| 12 | 8 | 732 2116-01 | •Locking nut | •Contre-écrou | 3 | M6 |
| 13 | 1 | 471 4005-75 | •Hose | •Flexible | 1,2 | |
| 14 | 1 | 736 2855-51 | •Hose clamp | •Attache flexible | 1 | Ø138 |
| 15 | 4 | 725 2455-51 | •Screw | •Vis | 3 | M8X30 |
| 16 | 4 | 471 9019-34 | •Washer | •Rondelle | 3 | TBRBSB 8,4X26 |
| 17 | 1 | 471 8159-01 | Gasket | Joint | 1 | |
| 18 | 1 | 472 6952-01 | Connection | Flexible caoutchouc | 3 | |
| 19 | 1 | 471 4634-52 | Drain pipe | Tuyau d'écoulement | 3 | |
| 20 | 1 | 471 4107-82 | Pipe | Tube | 1 | |
| 21 | 3 | 471 9219-86 | Hose clamp | Attache flexible | 3 | |
| 22 | 1 | 471 4005-76 | Hose | Flexible | 1 | |
| 23 | 1 | 736 2867-51 | Hose clamp | Attache flexible | 3 | |
| 24 | 1 | 471 4005-90 | Hose | Flexible | 1 | |
| 25 | 2 | 736 2849-51 | Hose clamp | Attache flexible | 3 | Ø77-93 |
| 26 | 1 | 471 9062-93 | Angle connector | Raccord d'angle | 3 | |
| 27 | 1 | 471 4647-80 | Hose | Flexible | 3 | |

1



100246

| Issue | Month | Year |
|-------|-------|------|
| 02 | 06 | 99 |

EX-200 87/1328-,EX-200 HI-TEK 87/1328-

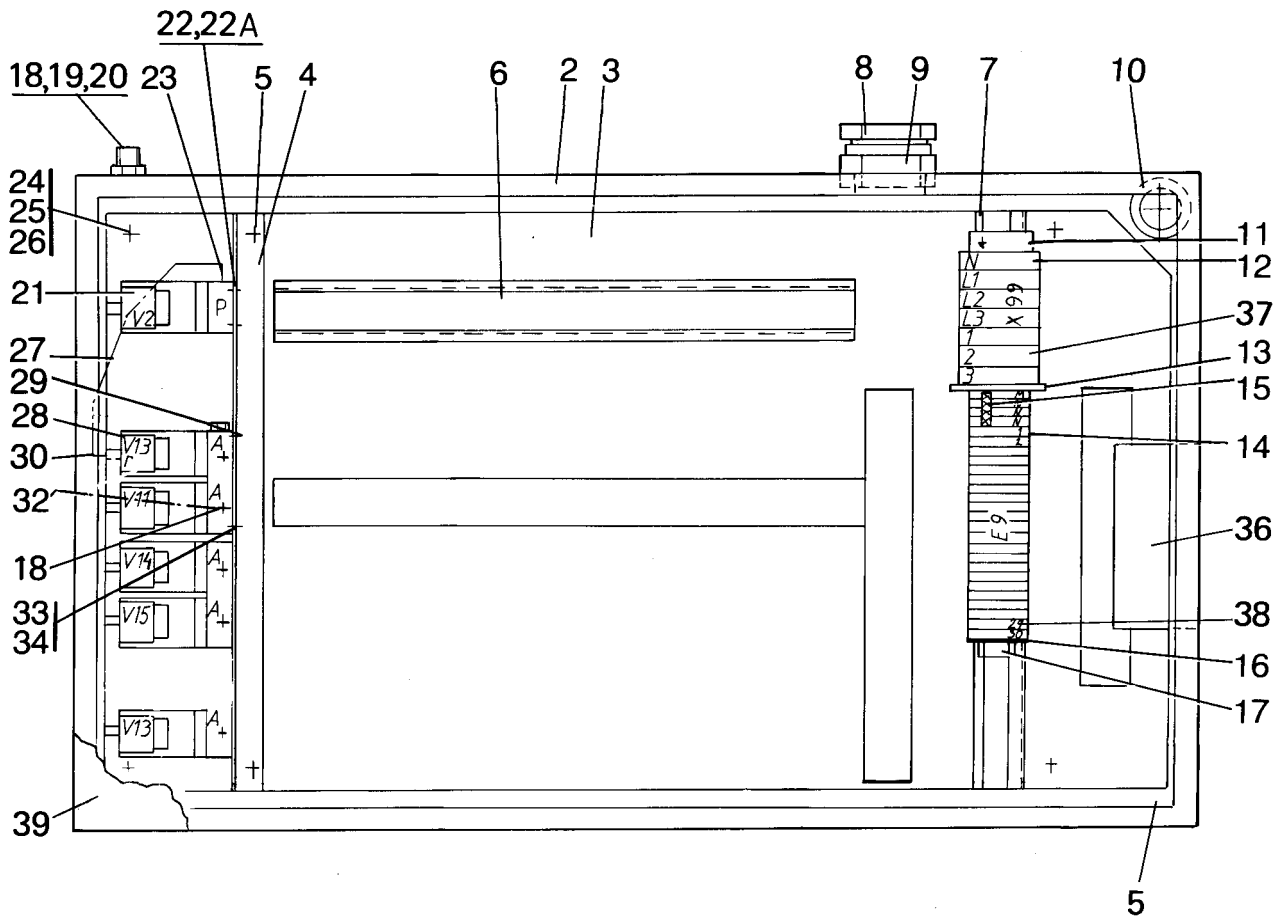
Drain valve

Illustration Issue Month Year
Schéma Issue Month Year
100246/1 2 5 1998

Purgeur

| Item Article | Qua Qua | Art.No Réf. article | Description | Description | Info Info | Notes Remarques |
|-----------------|------------|------------------------|--------------|---------------------|--------------|--------------------|
| 1 | 1 | 472 9076-01 | Drain valve | Purgeur | 1 | Complete |
| 2 | 1 | 472 9072-01 | •Clamp | •Bride de fixation | 3 | |
| 3 | 1 | 472 9075-01 | •Bracket | •Pupitre | 3 | |
| 4 | 2 | 472 9073-01 | •Bracket | •Support de montage | 3 | |
| 5 | 4 | 734 1178-01 | •Washer | •Rondelle | 3 | BRB 13X24 |
| 6 | 4 | 732 2122-01 | •Locking nut | •Contre-écrou | 3 | M12 |
| 7 | 1 | 471 2417-21 | •Cover | •Couvercle | 1 | |
| 8 | 1 | 471 9065-37 | •Diaphragm | •Diaphragme | 1,2 | |
| 9 | 1 | 471 4023-00 | •Piston | •Piston | 1 | |
| 10 | 1 | 471 2417-25 | •Spring | •Ressort | 1 | |
| 11 | 1 | 471 4024-00 | •Cylinder | •Cylindre | 1 | |
| 12 | 2 | 471 8575-00 | •Bearing | •Coussinet | 1,2 | |
| 13 | 1 | 471 4021-00 | •Plate | •Tableau | 1,2 | |
| 14 | 1 | 471 8159-01 | •Gasket | •Joint | 1 | |
| 15 | 8 | 725 2374-51 | •Screw | •Vis | 3 | M6X30 |
| 16 | 8 | 734 1153-01 | •Washer | •Rondelle | 3 | BRB 6,4X12 |
| 17 | 8 | 732 2116-01 | •Locking nut | •Contre-écrou | 3 | M6 |
| 18 | 1 | 471 4005-75 | •Hose | •Flexible | 1,2 | |
| 19 | 1 | 472 9070-01 | •Hose | •Flexible | 1,2 | |
| 20 | 3 | 736 2855-51 | •Hose clamp | •Attache flexible | 3 | Ø138 |
| 21 | 4 | 725 2461-51 | •Screw | •Vis | 3 | M8X50 |
| 22 | 12 | 731 2318-01 | •Nut | •Écrou | 3 | M8 |
| 23 | 1 | 471 8690-22 | •Connection | •Connexion | 3 | |
| 24 | 1 | 472 6952-01 | Connection | Flexible caoutchouc | 3 | |
| 25 | 1 | 471 4634-52 | Drain pipe | Tuyau d'écoulement | 3 | |
| 26 | 1 | 471 4107-82 | Pipe | Tube | 1 | |
| 27 | 3 | 471 9219-86 | Hose clamp | Attache flexible | 3 | |
| 28 | 1 | 471 4005-76 | Hose | Flexible | 1 | |
| 29 | 1 | 736 2867-51 | Hose clamp | Attache flexible | 3 | |
| 30 | 1 | 471 4005-90 | Hose | Flexible | 1 | |
| 31 | 2 | 736 2849-51 | Hose clamp | Attache flexible | 3 | Ø77-93 |
| 32 | 1 | 471 4647-80 | Hose | Flexible | 3 | |

1



100442

| Issue | Month | Year |
|-------|-------|------|
| 02 | 05 | 96 |

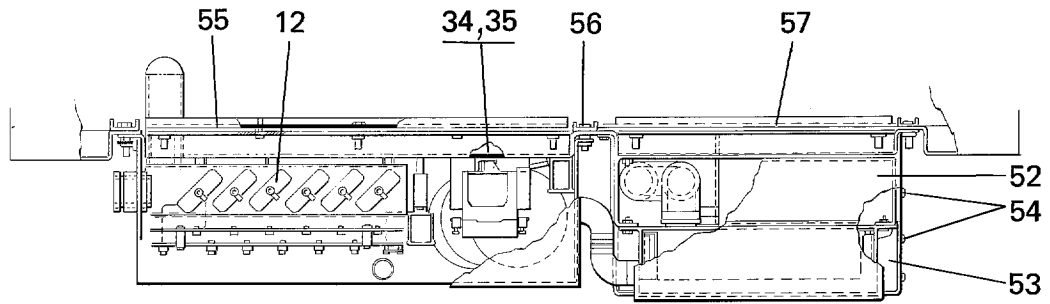
EX-200 83/1061-,EX-200 HI-TEK 83/1061-

Component box

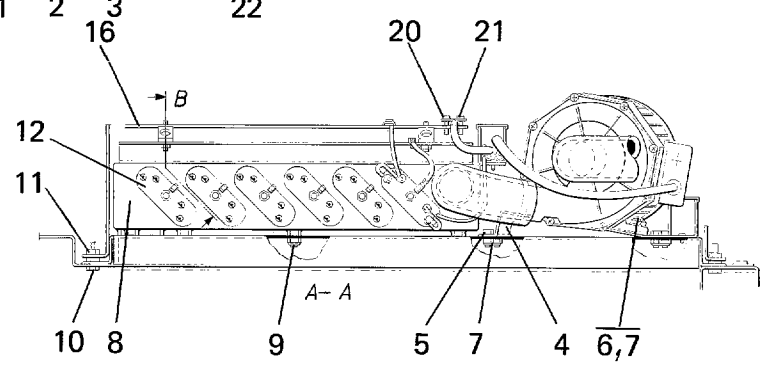
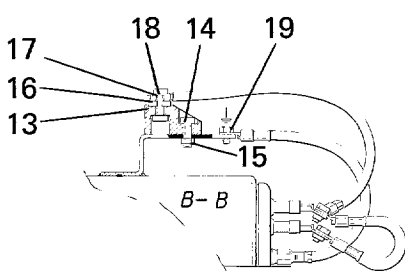
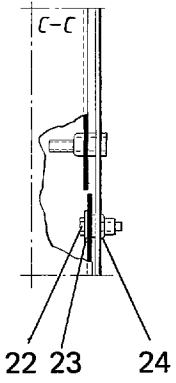
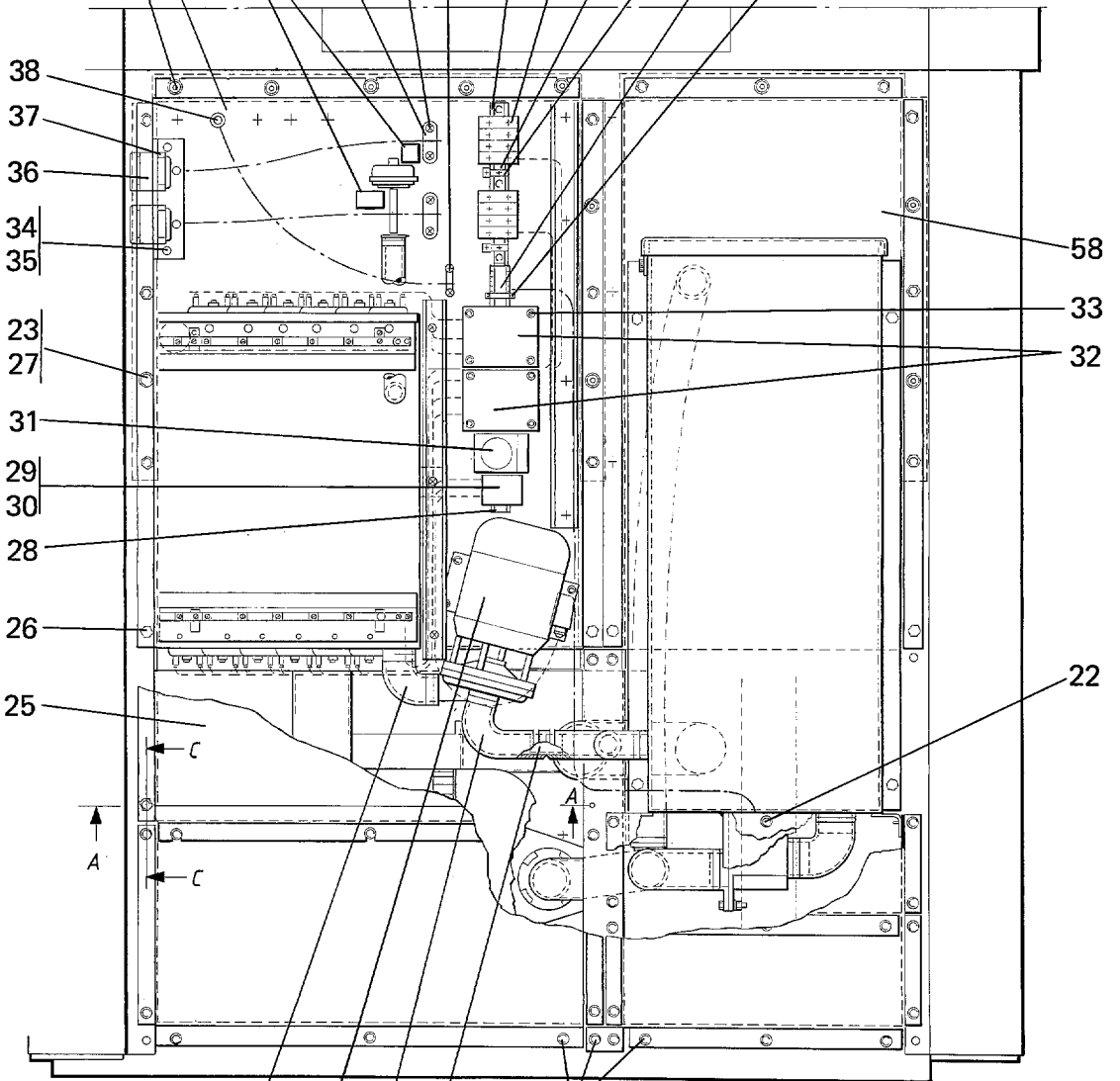
Boîtier de l'appareil

Illustration Issue Month Year
Schéma Issue Month Year
100442 2 5 1998

| Item Article | Qua Qua | Art.No Réf. article | Description | Description | Info Info | Notes Remarques |
|-----------------|------------|------------------------|----------------------|------------------------|--------------|--------------------|
| 1 | 1 | 472 6850-01 | Container | Conteneur | 3 | 50Hz |
| | 1 | 472 6850-02 | Container | Conteneur | 3 | 60Hz |
| 2 | 1 | 472 6849-01 | •Container | •Conteneur | 3 | White -84/1100 |
| | 1 | 472 6824-01 | •Component box | •Boîtier de composants | 3 | White 84/1101- |
| 3 | 1 | 472 6846-01 | •Plate | •Plaque | 3 | |
| 4 | 1 | 472 6845-01 | •Bracket | •Support de montage | 3 | |
| 5 | RQ | 729 5342-01 | •Screw | •Vis | 3 | |
| 6 | 1 | 472 6848-01 | •Rail | •Support | 3 | L=360 |
| 7 | 1 | 472 6847-01 | •Rail | •Support | 3 | |
| 8 | 1 | 762 2114-05 | •Sleeve | •Manchon | 3 | |
| 9 | 1 | 471 8780-37 | •Nut | •Écrou | 3 | |
| 10 | 2 | 762 1209-10 | •Grommet | •Oeillet | 3 | |
| 11 | 2 | 762 7121-80 | •Ground connection | •Connexion à la masse | 3 | 380V,415V |
| 12 | 1 | 471 8702-01 | •Terminal connection | •Bloc de connexion | 3 | |
| 13 | 1 | 762 7120-90 | •Plate | •Tableau | 3 | |
| 14 | 34 | 762 7102-05 | •Terminal connection | •Bloc de connexion | 3 | |
| 15 | 1 | 762 7137-90 | •Bridge connection | •Montage en pont | 3 | |
| 16 | 1 | 762 7116-90 | •End plate | •Panneau arrière | 3 | |
| 17 | 1 | 762 7145-90 | •End support | •Support | 3 | |
| 18 | 4 | 471 9062-94 | •Connection | •Embrayage | 3 | |
| 19 | 1 | 471 9226-04 | •Bushing | •Douille | 3 | |
| 20 | 1 | 471 4647-83 | •Hose | •Flexible | 3 | D6X1X750 |
| 21 | 1 | 471 9202-32 | •Solenoid valve | •Électrovanne | 1,2 | 50Hz |
| | 1 | 471 9202-33 | •Solenoid valve | •Électrovanne | 1,2 | 60Hz |
| 22 | 6 | 724 1289-01 | •Screw | •Vis | 3 | M4X10 |
| 23 | 1 | 471 9062-93 | •Angle connector | •Raccord d'angle | 3 | |
| 24 | 4 | 725 2372-51 | •Screw | •Vis | 3 | M6X25 |
| 25 | 4 | 734 1153-01 | •Washer | •Rondelle | 3 | BRB 6,4X12 |
| 26 | 4 | 731 2216-01 | •Nut | •Écrou | 3 | M6 |
| 27 | 1 | 471 2453-45 | •Pipe | •Tube | 3 | 6X4X250 |
| 28 | 1 | 471 9043-04 | •Solenoid valve | •Électrovanne | 1,2 | 50Hz |
| | 1 | 471 9067-46 | •Solenoid valve | •Électrovanne | 1,2 | 60Hz |
| 29 | 1 | 741 5109-25 | •Plug | •Fiche | 3 | |
| 30 | 1 | 471 9062-92 | •Angle connector | •Raccord d'angle | 3 | |
| 31 | | | | | | Not used |
| 32 | 1 | 471 4640-43 | •Pipe | •Tube | 3 | 6X4X500 |
| 33 | 2 | 724 1327-01 | •Screw | •Vis | 3 | M5X12 |
| 34 | 4 | 734 1808-51 | •Washer | •Rondelle | 3 | NB 5X16 |
| 35 | 1 | 471 4640-00 | •Bracket | •Support de montage | 3 | |
| 36 | 1 | 471 4091-01 | Cover plate | Plaque recouvrement | 3 | White |



39 40 59,60,61 41,42 43 44,45 46 47 48 49 50 51



100248

| Issue | Month | Year |
|-------|-------|------|
| 03 | 05 | 90 |

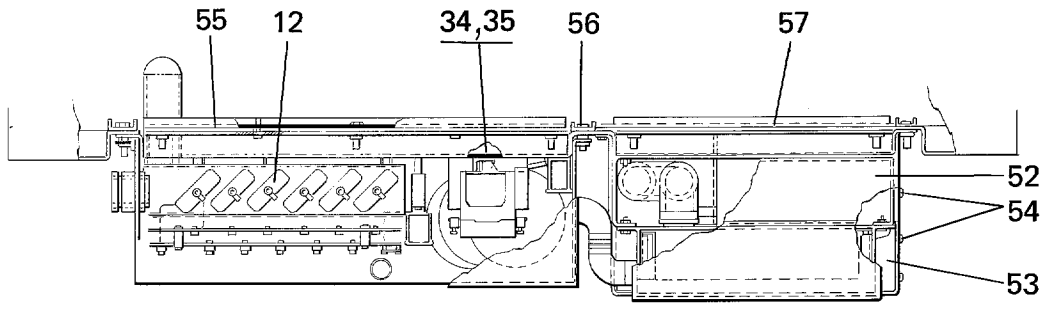
EX-200 83/1061-,EX-200 HI-TEK 83/1061-

Electrically heated, part 1

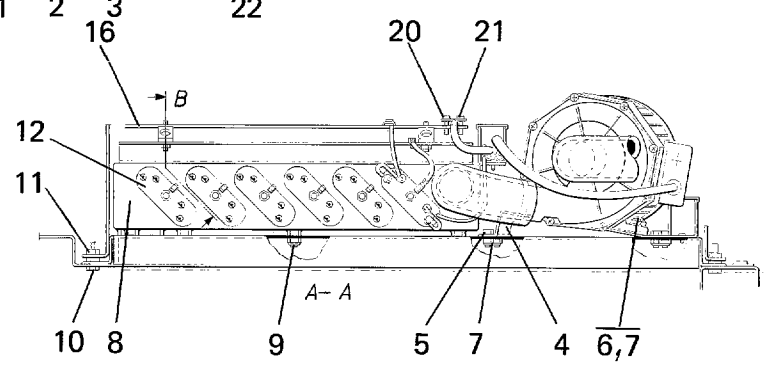
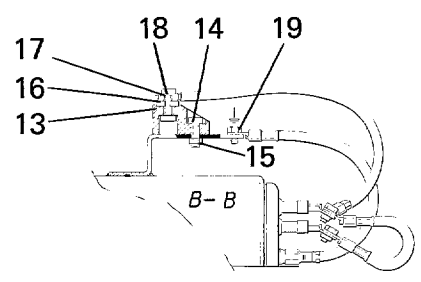
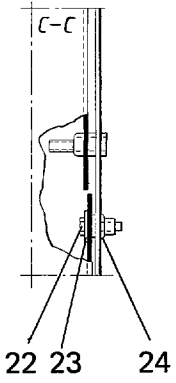
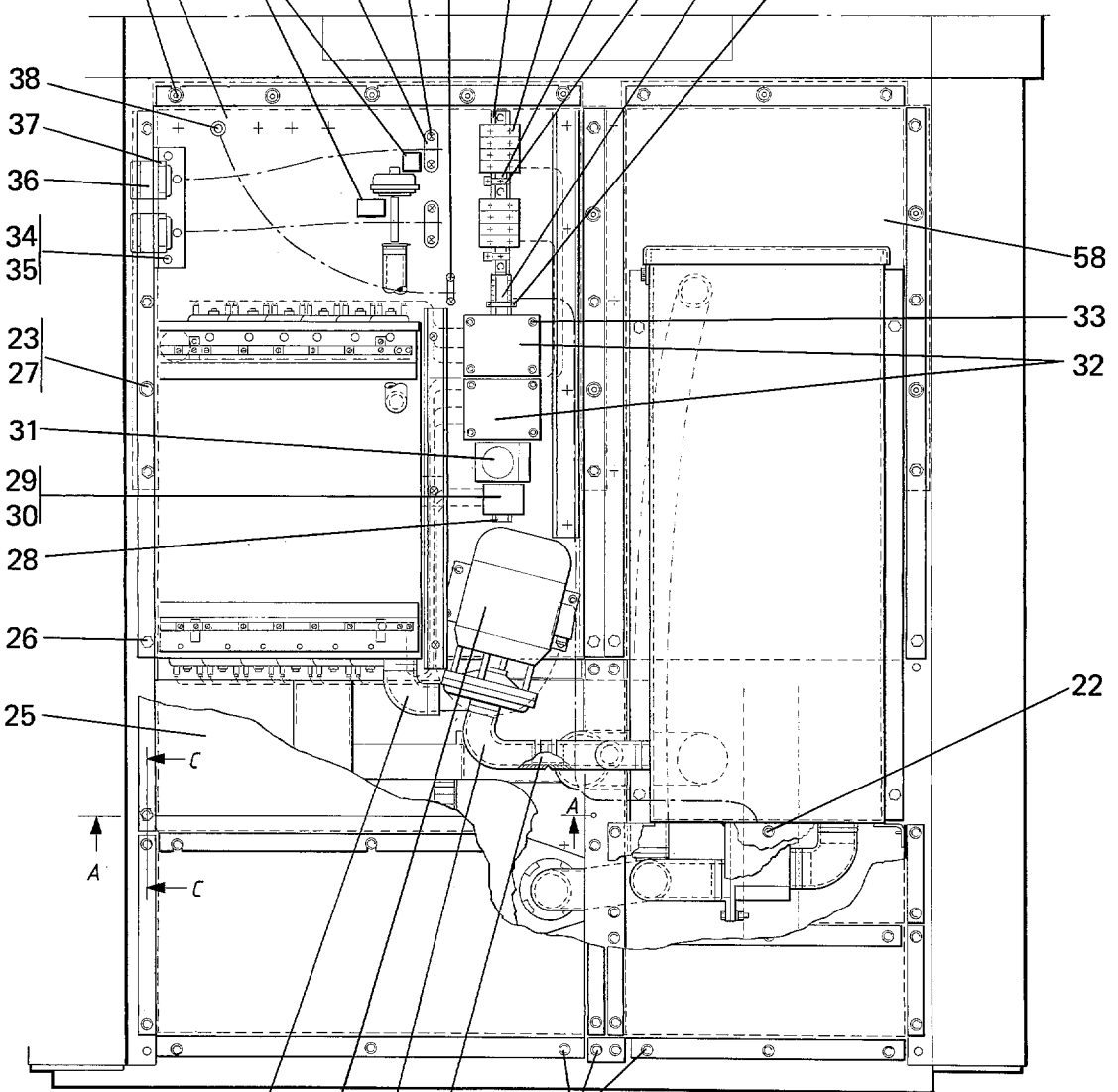
Chauffage électrique, partie 1

Illustration Issue Month Year
Schéma Issue Month Year
100248 2 5 1998

| Item Article | Qua Qua | Art.No Réf. article | Description | Description | Info Info | Notes Remarques |
|-----------------|------------|------------------------|---------------------|----------------------|--------------|--------------------|
| 1 | 1 | 471 9223-03 | Pump | Pompe | 1 | 380-415V, 50Hz |
| 2 | 4 | 471 2260-05 | Hose | Flexible | 1 | |
| 3 | 2 | 471 4013-01 | Pipe | Tube | 3 | |
| 4 | 1 | 472 9014-01 | Bracket | Pupitre | 3 | |
| 5 | 4 | 725 2368-51 | Screw | Vis | 3 | M6X16 |
| 6 | 4 | 734 1153-09 | Washer | Rondelle | 3 | BRB 6,4X12 |
| 7 | 8 | 732 2116-01 | Locking nut | Contre-écrou | 3 | M6 |
| 8 | 1 | 472 9023-01 | Heating box | Boîtier du chauffage | 3 | |
| 9 | 5 | 732 2118-01 | Locking nut | Contre-écrou | 3 | M8 |
| 10 | 2 | 725 2455-51 | Screw | Vis | 3 | M8X30 |
| 11 | 22 | 731 2318-01 | Nut | Écrou | 3 | M8 |
| 12 | 12 | 471 9809-04 | Heating element | Élément chauffant | 1,2 | 6KW 220V |
| 13 | 4 | 762 7103-92 | | | 1,2 | |
| 14 | 4 | 724 1293-01 | Screw | Vis | 3 | M4X16 |
| 15 | 4 | 732 2112-01 | Locking nut | Contre-écrou | 3 | M4 |
| 16 | 1 | 885 4158-00 | Rail | Support | 3 | |
| 17 | 12 | 762 7104-92 | Clamp | Attache serre-joint | 3 | |
| 18 | 16 | 723 2325-31 | Screw | Vis | 3 | M5X10 |
| 19 | RQ | 725 2285-42 | Screw | Vis | 3 | M4X6 |
| 20 | 2 | 762 7105-92 | | | 3 | |
| 21 | 4 | 723 2328-31 | Screw | Vis | 3 | M5X14 |
| 22 | RQ | 725 2364-51 | Screw | Vis | 3 | M6X10 |
| 23 | RQ | 471 8502-05 | Washer | Rondelle | 3 | NB 6x22 |
| 24 | 2 | 733 1842-51 | Nut | Écrou | 3 | M6 |
| 25 | 1 | 472 9005-01 | Safety lid | Couvercle protection | 3 | |
| 26 | 4 | 725 2449-51 | Screw | Vis | 3 | M8X16 |
| 27 | 9 | 725 2366-61 | Screw | Vis | 3 | M6SF 6X12 |
| 28 | 1 | 472 9026-01 | Rail | Support | 3 | |
| 29 | 1 | 767 5122-00 | Contacteur | Relais | 1,2 | 50Hz 220-240V 50Hz |
| 30 | | | | | | Not used |
| 31 | 1 | 471 9226-97 | Time relay | Relais temporisé | 1,2 | 50/60Hz |
| 32 | 2 | 767 5103-66 | Contacteur | Relais | 1,2 | 50Hz 220-240V 50Hz |
| 33 | 8 | 724 1335-01 | Screw | Vis | 3 | M5X30 |
| 34 | 9 | 725 2327-51 | Screw | Vis | 3 | M5X12 |
| 35 | 9 | 732 2114-01 | Locking nut | Contre-écrou | 3 | M5 |
| 36 | 2 | 762 2114-05 | Sleeve | Manchon | 3 | |
| 37 | 2 | 471 8780-37 | Nut | Écrou | 3 | |
| 38 | 1 | 762 1152-10 | Grommet | Oeillet | 3 | |
| 39 | 3 | 734 1164-01 | Washer | Rondelle | 3 | 8,4X17 |
| 40 | 1 | 472 9001-02 | Mounting plate | Plaque de montage | 3 | |
| 41 | 2 | 471 7859-01 | | | 3 | |
| 42 | 2 | 471 7859-11 | Clamp | Attache | 3 | |
| 43 | 4 | 471 8300-09 | Screw | Vis | 3 | M4X80 |
| 44 | 2 | 471 9006-61 | Cable clamp | Fixation câbles | 3 | |
| 45 | 2 | 724 1303-01 | Screw | Vis | 3 | M4X40 |
| 46 | 1 | 472 9027-01 | Rail | Support | 3 | |
| 47 | 3 | 471 2461-75 | Terminal connection | Bloc de connexion | 1 | 208-240V |
| 48 | 3 | 762 7146-90 | End support | Support | 1 | |
| 49 | 2 | 762 7110-80 | Ground connection | Connexion à la masse | 1 | |
| 50 | 2 | 762 7111-10 | Terminal connection | Bloc de connexion | 1 | 3 Phase |
| 51 | 1 | 762 7105-80 | Ground connection | Connexion à la masse | 1 | |
| 52 | 1 | 472 9044-01 | Cover plate | Plaque recouvrement | 3 | |
| 53 | 2 | 472 9045-01 | Cover plate | Plaque recouvrement | 3 | |
| 54 | 6 | 729 5342-01 | Screw | Vis | 3 | |
| 55 | 1 | 472 9009-01 | Bracket | Support de montage | 3 | |
| 56 | 3 | 472 9009-02 | Bracket | Support de montage | 3 | |
| 57 | 1 | 472 9009-03 | Bracket | Support de montage | 3 | |
| 58 | 1 | 472 9002-01 | Mounting plate | Plaque de montage | 3 | |
| 59 | 2 | 471 8800-05 | Thermostat | Thermostat | 3 | |



39 40 59,60,61 41,42 43 44,45 46 47 48 49 50 51



100248

| Issue | Month | Year |
|-------|-------|------|
| 03 | 05 | 90 |

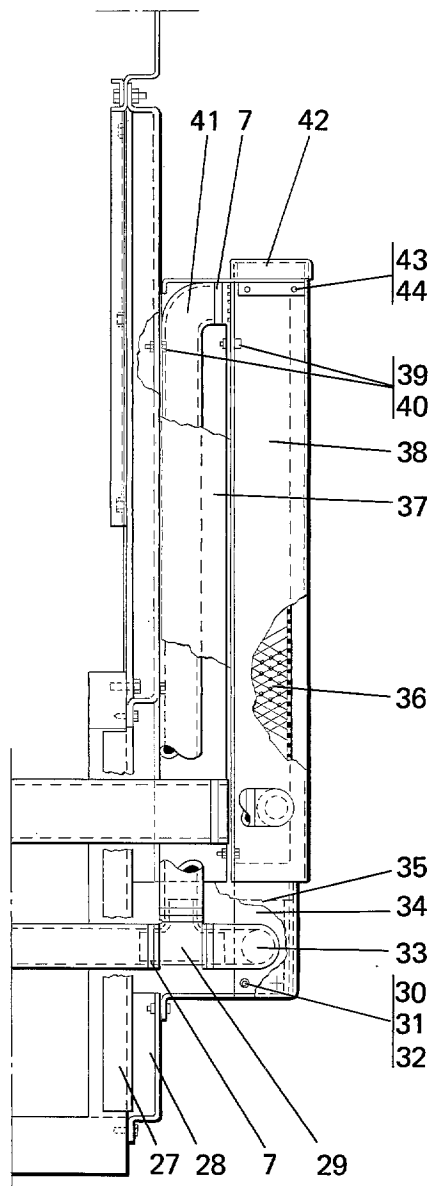
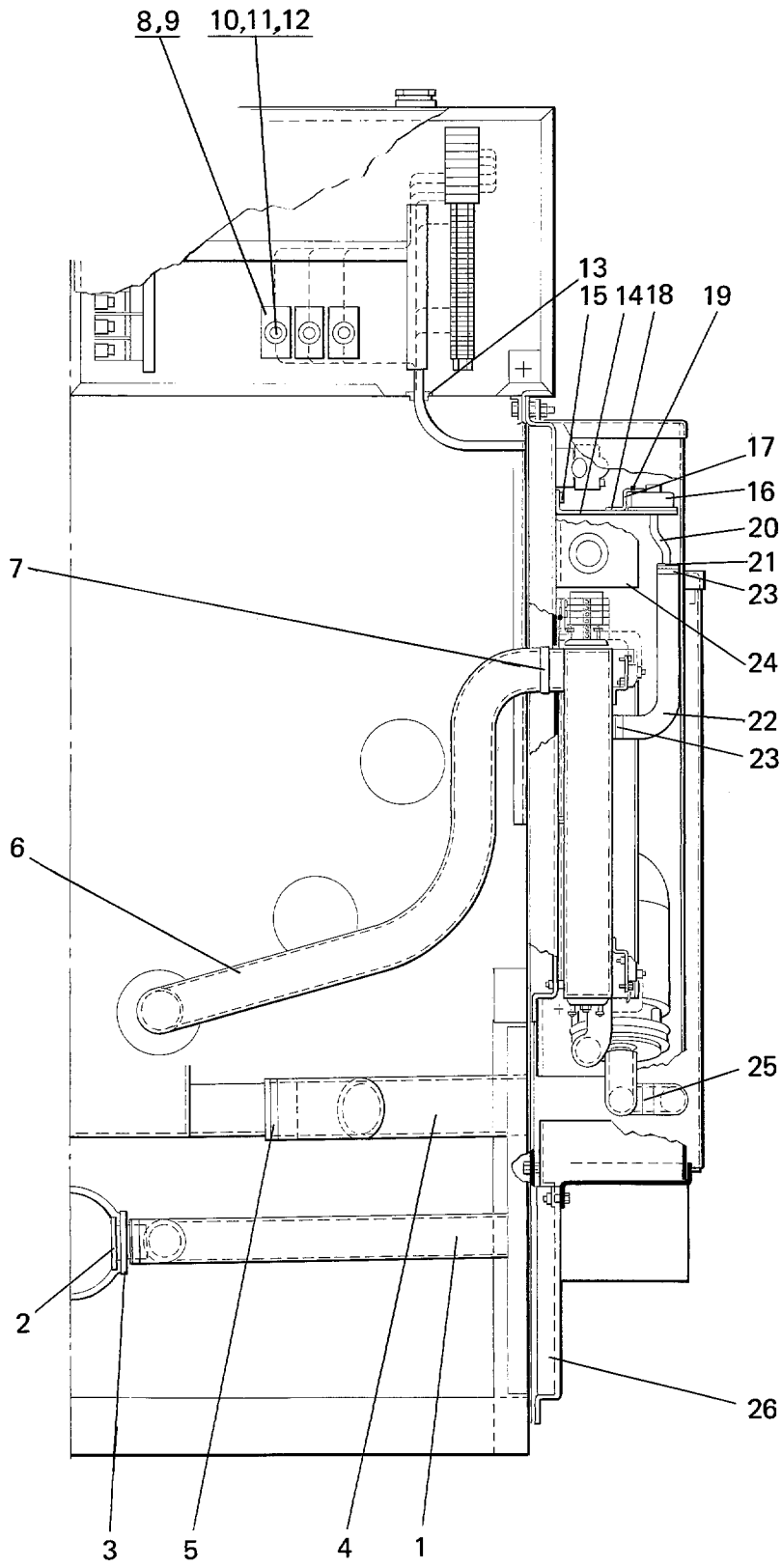
EX-200 83/1061-,EX-200 HI-TEK 83/1061-

Electrically heated, part 1

Chauffage électrique, partie 1

| | | | |
|---------------|----------|----------|-------------|
| Illustration | Issue | Month | Year |
| Schéma | Issue | Month | Year |
| 100248 | 2 | 5 | 1998 |

| Item Article | Qua Qua | Art.No Réf. article | Description | Description | Info Info | Notes Remarques |
|-----------------|------------|------------------------|-------------|-------------|--------------|--------------------|
| 60 | 2 | 472 9818-01 | Clamp | Attache | 3 | |
| 61 | 4 | 724 1285-01 | Screw | Vis | 3 | M4X6 |



100249

| | | |
|-------|-------|------|
| Issue | Month | Year |
| 01 | 05 | 88 |

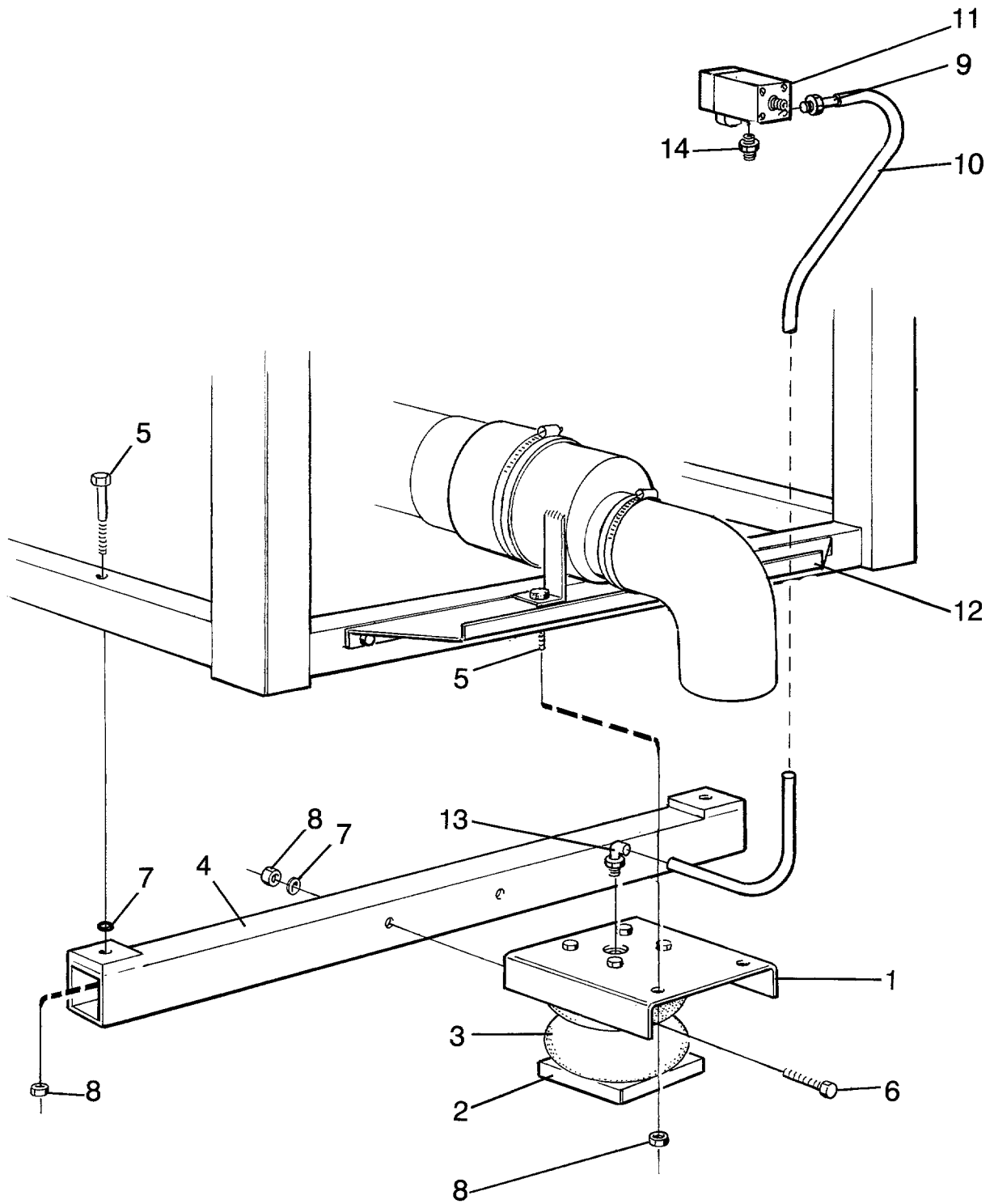
EX-200,EX-200 HI-TEK

Electrically heated, part 2

Chauffage électrique, partie 2

Illustration Issue Month Year
Schéma Issue Month Year
100249 3 8 1997

| Item Article | Qua Qua | Art.No Réf. article | Description | Description | Info Info | Notes Remarques |
|-----------------|------------|------------------------|------------------|---------------------|--------------|--------------------------|
| 1 | 1 | 472 9047-01 | Hose | Flexible | 1,2 | |
| 2 | 1 | 438 4101-01 | Nipple | Raccord | 3 | |
| 3 | 1 | 438 4100-01 | Nut | Écrou | 3 | |
| 4 | 1 | 472 9046-01 | Hose | Flexible | 1,2 | |
| 5 | 2 | 736 2849-51 | Hose clamp | Attache flexible | 1,2 | Ø77-93 |
| 6 | 1 | 472 9048-01 | Hose | Flexible | 1,2 | |
| 7 | 10 | 736 2840-51 | Hose clamp | Attache flexible | 1,2 | Ø50-63 |
| 8 | 3 | 471 8751-01 | | | 1 | |
| 9 | 6 | 724 1293-01 | Screw | Vis | 3 | M4X16 |
| 10 | 3 | 471 8751-51 | | | 1 | |
| 11 | 3 | 471 8751-77 | Fuse | Porte-fusible | 1,2 | 6A |
| 12 | 3 | 471 8751-25 | Hood | Capot | 3 | 25A |
| 13 | 1 | 762 1152-10 | Grommet | Oeillet | 3 | |
| 14 | 1 | 472 9016-01 | Bracket | Pupitre | 3 | |
| 15 | 2 | 724 1293-01 | Screw | Vis | 3 | M4X16 |
| 16 | 1 | 471 8860-11 | Level control | Réglage de niveau | 1,2 | |
| 17 | 1 | 472 9017-01 | Clamp | Attache | 3 | |
| 18 | 1 | 729 5342-01 | Screw | Vis | 3 | |
| 19 | 1 | 729 5279-01 | Screw | Vis | 3 | RXS B6X9,5 |
| 20 | 1 | 471 2440-36 | Hose | Flexible | 1,2 | L=90 |
| 21 | 1 | 471 2260-95 | Nipple | Raccord | 3 | |
| 22 | 1 | 471 4391-01 | Hose | Flexible | 1,2 | |
| 23 | 2 | 736 2828-51 | Hose clamp | Attache flexible | 1,2 | |
| 24 | 1 | 472 9003-01 | Bracket | Pupitre | 3 | |
| 25 | 8 | 736 2837-51 | Hose clamp | Attache flexible | 1,2 | Ø48-54 |
| 26 | 1 | 472 9013-02 | Cover plate | Plaque recouvrement | 3 | |
| 27 | 1 | 472 9004-02 | Brace | Montant | 3 | |
| 28 | 1 | 472 9012-02 | Cover plate | Plaque recouvrement | 3 | |
| 29 | 1 | 472 9028-01 | T-pipe | Tube en T | 3 | |
| 30 | RQ | 725 2364-51 | Screw | Vis | 3 | M6X10 |
| 31 | RQ | 471 8502-05 | Washer | Rondelle | 3 | NB 6x22 |
| 32 | 2 | 731 2316-01 | Nut | Écrou | 3 | M6 |
| 33 | 1 | 471 4388-02 | Hose | Flexible | 1,2 | |
| 34 | 1 | 471 9219-65 | Drain valve | Purgeur | 1,2 | 50/60Hz See group US8102 |
| 35 | 1 | 472 9011-01 | Cover | Couvercle | 3 | |
| 36 | 1 | 471 4374-01 | Strainer | Filtre | 1,2 | |
| 37 | 2 | 472 9008-01 | Mounting plate | Plaque de montage | 3 | |
| 38 | 1 | 472 9018-01 | Strainer housing | Logement du filtre | 3 | |
| 39 | 8 | 725 2449-51 | Screw | Vis | 3 | M8X16 |
| 40 | 8 | 731 2318-01 | Nut | Écrou | 3 | M8 |
| 41 | 1 | 471 4388-03 | Hose | Flexible | 1,2 | |
| 42 | 1 | 471 4375-01 | Cover | Couvercle | 3 | |
| 43 | 2 | 724 1289-42 | Screw | Vis | 3 | M4X10 |
| 44 | 2 | 731 2312-42 | Nut | Écrou | 3 | M4 |



100443

| | | |
|-------|-------|------|
| Issue | Month | Year |
| 01 | 05 | 88 |

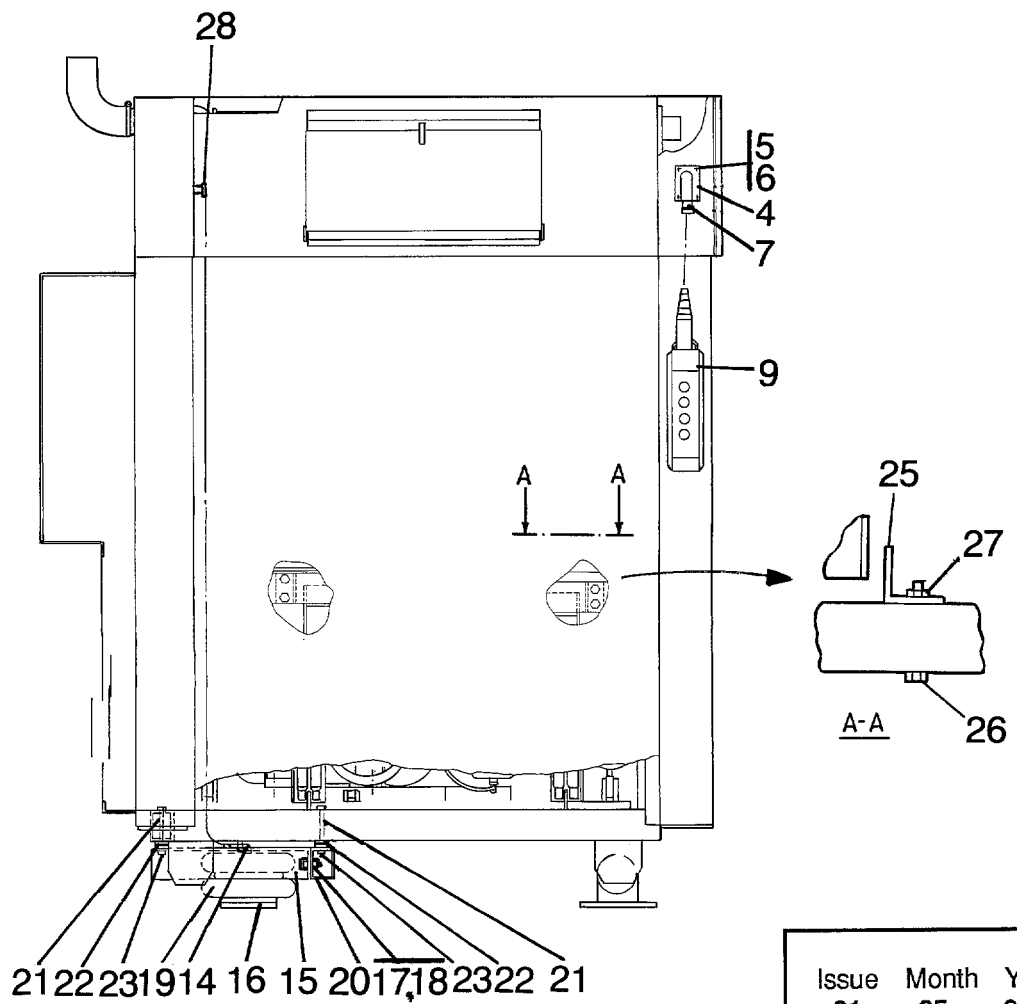
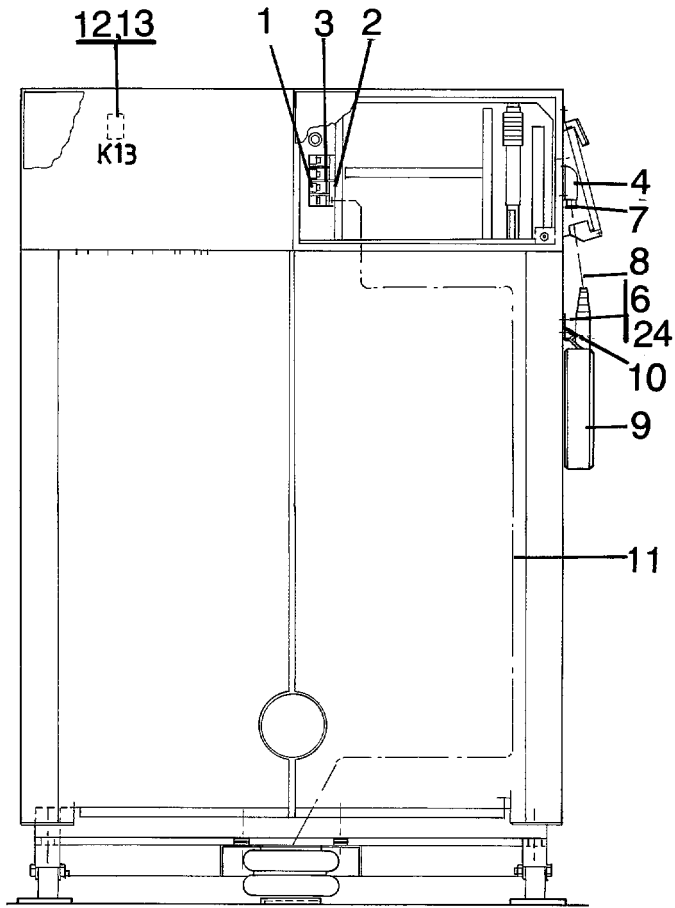
EX-200 -83/1060,EX-200 HI-TEK -83/1060

Tilting device

Unité basculement

Illustration Issue Month Year
Schéma Issue Month Year
100443 1 5 1988

| Item Article | Qua Qua | Art.No Réf. article | Description | Description | Info Info | Notes Remarques |
|-----------------|------------|------------------------|-----------------|-------------------|--------------|--------------------|
| 1 | 1 | 471 4005-62 | Mounting plate | Plaque de montage | 3 | |
| 2 | 1 | 471 4207-01 | Plate | Tableau | 3 | |
| 3 | 1 | 471 8271-02 | Cylinder | Cylindre | 1 | |
| 4 | 1 | 471 4639-83 | Beam | Poutre | 3 | |
| 5 | 4 | 471 9046-39 | Screw | Vis | 3 | M12X130 |
| 6 | 2 | 725 2540-51 | Screw | Vis | 3 | M12X40 |
| 7 | 16 | 471 9073-59 | Washer | Rondelle | 3 | TBRSB 13X36 |
| 8 | 6 | 732 2122-01 | Locking nut | Contre-écrou | 3 | M12 |
| 9 | 1 | 471 9062-94 | Connection | Embrayage | 3 | |
| 10 | 1 | 471 4647-80 | Hose | Flexible | 1 | |
| 11 | 1 | 471 9043-03 | Solenoid valve | Électrovanne | 1,2 | 220V 50Hz |
| | 1 | 471 9214-69 | Solenoid valve | Électrovanne | 1,2 | 220V 60Hz |
| 12 | 1 | 472 6946-01 | Plate | Plaque | 3 | |
| 13 | 1 | 471 9062-92 | Angle connector | Raccord d'angle | 3 | |
| 14 | 1 | 471 3109-22 | Nipple | Raccord | 3 | |



| Issue | Month | Year |
|-------|-------|------|
| 01 | 05 | 88 |

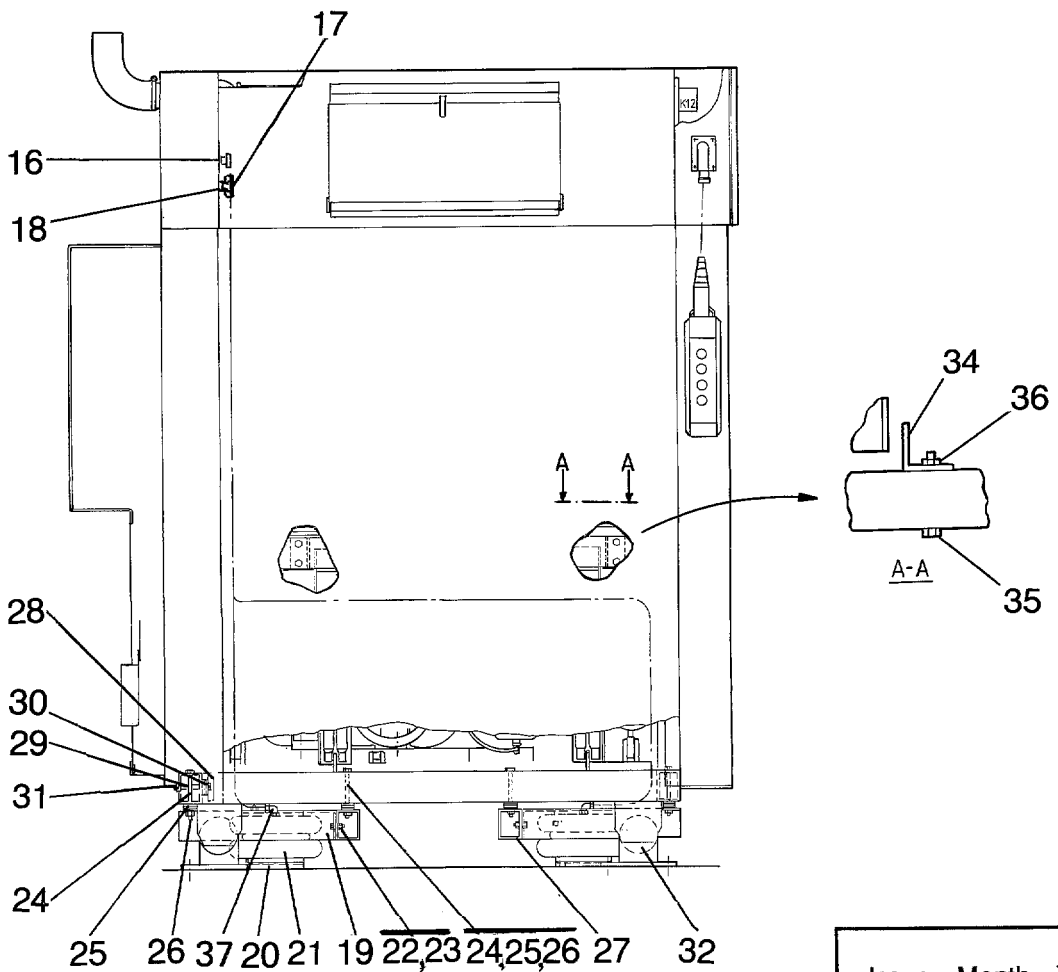
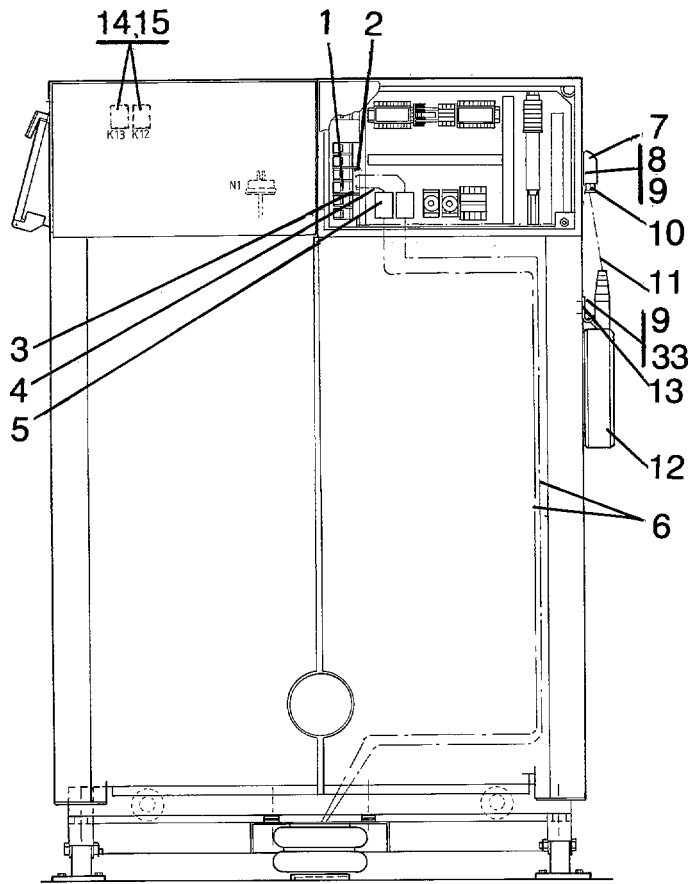
EX-200 -83/1060,EX-200 HI-TEK -83/1060

Tilting device, forward

Basculement avant

Illustration Issue Month Year
Schéma Issue Month Year
100444 1 5 1988

| Item Article | Qua Qua | Art.No Réf. article | Description | Description | Info Info | Notes Remarques |
|-----------------|------------|------------------------|---------------------|-------------------|--------------|------------------------|
| | | 988 8011-01 | Tilting device | Unité de décharge | | 50Hz FORWARD,COMPL,STD |
| | | 988 8011-02 | Tilting device | Unité de décharge | | 60Hz COMPL,STD |
| | | 988 8011-09 | Tilting device | Unité de décharge | | 50Hz COMPL,MP |
| 1 | 1 | 471 9043-04 | Solenoid valve | Électrovanne | 1,2 | 50Hz |
| | 1 | 471 9067-46 | Solenoid valve | Électrovanne | 1,2 | 60Hz |
| 2 | 2 | 724 1289-01 | Screw | Vis | 3 | M4X10 |
| 3 | 1 | 471 8626-03 | Nipple | Raccord | 3 | |
| 4 | 1 | 472 6852-02 | Cover | Couvercle | 3 | Brown |
| | 1 | 472 6852-04 | Cover | Couvercle | 3 | Black |
| 5 | 4 | 725 2370-42 | Screw | Vis | 3 | M6X20 |
| 6 | 6 | 731 2316-01 | Nut | Écrou | 3 | M6 |
| 7 | 1 | 762 2111-05 | Sleeve | Manchon | 3 | |
| 8 | 1 | 471 7253-01 | Cable | Câble | 3 | |
| 9 | 1 | 471 8721-01 | Control for tilting | Bouton-poussoir | 1 | |
| 10 | 1 | 472 6855-01 | Hook | Crochet | 3 | |
| 11 | 1 | 471 4647-80 | Hose | Flexible | 3 | |
| 12 | 1 | 767 5131-00 | Contactactor | Relais | 1,2 | 50Hz |
| | 1 | 767 5132-00 | Contactactor 60Hz | Relais,60Hz | 1,2 | 60Hz |
| 13 | | | | | | Not used |
| 14 | 1 | 471 9062-93 | Angle connector | Raccord d'angle | 3 | |
| 15 | 1 | 471 4005-62 | Mounting plate | Plaque de montage | 3 | |
| 16 | 1 | 471 4207-01 | Plate | Tableau | 3 | |
| 17 | 2 | 725 2540-51 | Screw | Vis | 3 | M12X40 |
| 18 | 2 | 732 2122-01 | Locking nut | Contre-écrou | 3 | M12 |
| 19 | 1 | 471 8271-02 | Cylinder | Cylindre | 1 | |
| 20 | 1 | 471 4639-83 | Beam | Poutre | 3 | |
| 21 | 4 | 725 2558-51 | Screw | Vis | 3 | M12X130 |
| 22 | 16 | 471 9073-59 | Washer | Rondelle | 3 | TBRSB 13X36 |
| 23 | 4 | 732 2122-01 | Locking nut | Contre-écrou | 3 | M12 |
| 24 | 2 | 723 5368-42 | Screw | Vis | 3 | M6X16 |
| 25 | 2 | 472 7956-01 | Angle | Coude | 3 | |
| 26 | 4 | 725 2466-51 | Screw | Vis | 3 | M8X75 |
| 27 | 4 | 732 2118-01 | Locking nut | Contre-écrou | 3 | M8 |
| 28 | 2 | 471 9062-94 | Connection | Embrayage | 3 | |



EX-200,EX-200 HI-TEK

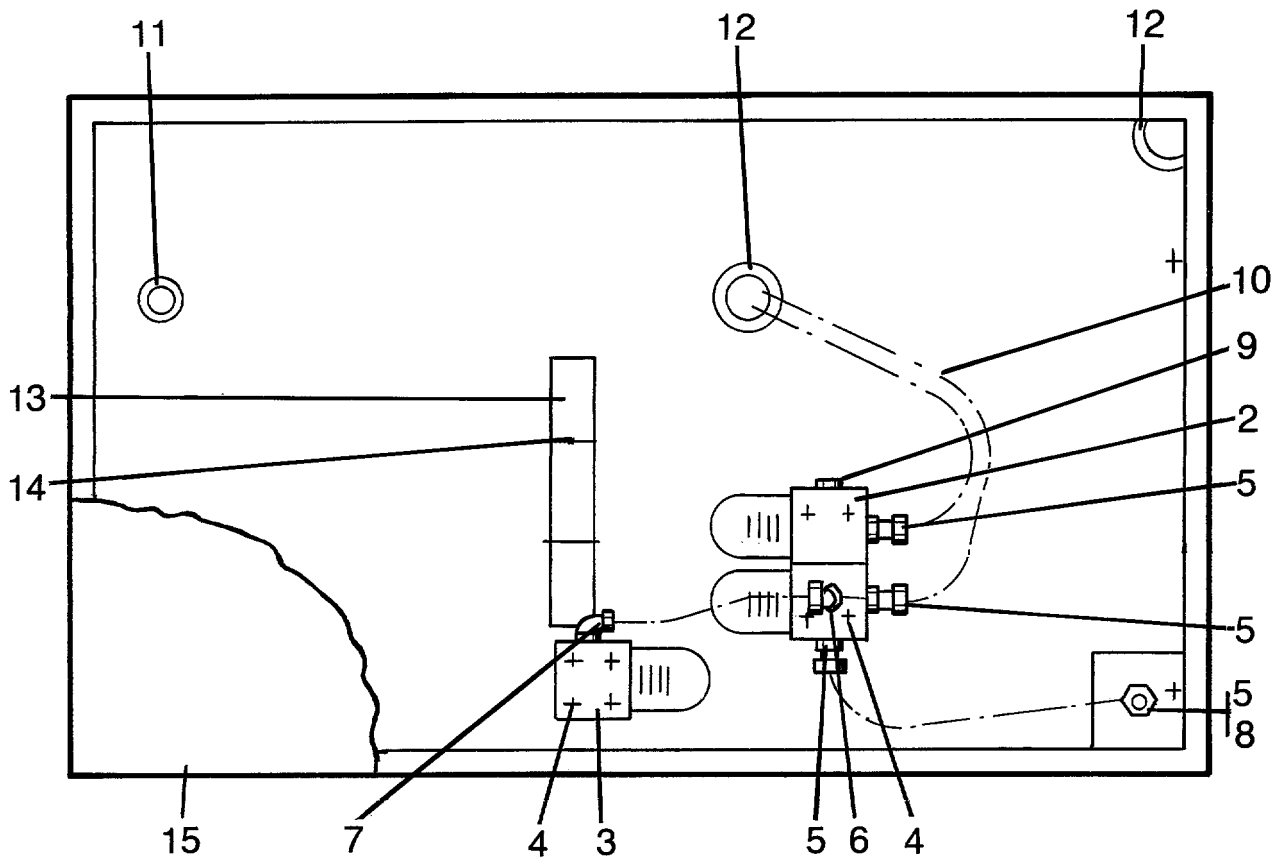
Tilting device, forward and backward

Basculement avant et arrière

Illustration Issue Month Year
Schéma Issue Month Year
100445 1 5 1988

| Item Article | Qua Qua | Art.No Réf. article | Description | Description | Info Info | Notes Remarques |
|-----------------|------------|------------------------|---------------------|---------------------|--------------|---------------------|
| | | 988 0111-03 | Tilting device | Unité de décharge | | 50Hz Complete |
| | | 988 0111-04 | Tilting device | Unité de décharge | | 60Hz Complete |
| 1 | 1 | 471 9043-04 | Solenoid valve | Électrovanne | 1,2 | 50Hz |
| | 1 | 471 9067-46 | Solenoid valve | Électrovanne | 1,2 | 60Hz |
| 2 | 2 | 724 1289-01 | Screw | Vis | 3 | M4X10 |
| 3 | 1 | 471 8626-03 | Nipple | Raccord | 3 | |
| 4 | 2 | 471 4635-75 | Pipe | Tube | 3 | |
| 5 | 2 | 471 9582-01 | Pressure sensor | Capteur de pression | 1,2 | |
| 6 | 2 | 471 4647-80 | Hose | Flexible | 3 | |
| 7 | 1 | 472 6852-02 | Cover | Couvercle | 3 | Brown |
| | 1 | 472 6852-04 | Cover | Couvercle | 3 | Black |
| 8 | 4 | 725 2370-42 | Screw | Vis | 3 | M6X20 |
| 9 | 6 | 731 2316-01 | Nut | Écrou | 3 | M6 |
| 10 | 1 | 762 2111-05 | Sleeve | Manchon | 3 | |
| 11 | 1 | 471 7253-01 | Cable | Câble | 3 | |
| 12 | 1 | 471 8721-01 | Control for tilting | Bouton-poussoir | 1 | |
| 13 | 1 | 472 6855-01 | Hook | Crochet | 3 | |
| 14 | 2 | 767 5131-00 | Contactactor | Relais | 1,2 | 50Hz |
| | 2 | 767 5132-00 | Contactactor 60Hz | Relais,60Hz | 1,2 | 60Hz |
| 15 | | | | | | Not used |
| 16 | 2 | 471 9062-94 | Connection | Embrayage | 3 | |
| 17 | 2 | 471 8601-00 | T-coupling | Raccord en T | 3 | |
| 18 | 2 | 741 4102-20 | Bushing | Douille | 3 | |
| 19 | 2 | 471 4005-62 | Mounting plate | Plaque de montage | 3 | |
| 20 | 2 | 471 4207-01 | Plate | Tableau | 3 | |
| 21 | 2 | 471 8271-02 | Cylinder | Cylindre | 1 | |
| 22 | 4 | 725 2540-51 | Screw | Vis | 3 | M12X40 |
| 23 | 4 | 732 2122-01 | Locking nut | Contre-écrou | 3 | M12 |
| 24 | 8 | 725 2558-51 | Screw | Vis | 3 | M12X130 |
| 25 | 32 | 471 9073-59 | Washer | Rondelle | 3 | TBR SB 13X36 |
| 26 | 8 | 732 2122-01 | Locking nut | Contre-écrou | 3 | M12 |
| 27 | 2 | 471 4639-83 | Beam | Poutre | 3 | |
| 28 | | | | | | Not used |
| 29 | | | | | | Not used |
| 30 | | | | | | Not used |
| 31 | | | | | | Not used |
| 32 | 2 | 472 6818-01 | Foot | Pied | 3 | See illustr. 100420 |
| 33 | 2 | 724 5368-42 | Screw | Vis | 3 | M6X16 |
| 34 | 4 | 472 7956-01 | Angle | Coude | 3 | |
| 35 | 8 | 725 2466-51 | Screw | Vis | 3 | M8X75 |
| 36 | 8 | 732 2118-01 | Locking nut | Contre-écrou | 3 | M8 |
| 37 | 1 | 471 9062-93 | Angle connector | Raccord d'angle | 3 | |

1



100446

| | | |
|-------|-------|------|
| Issue | Month | Year |
| 01 | 05 | 88 |

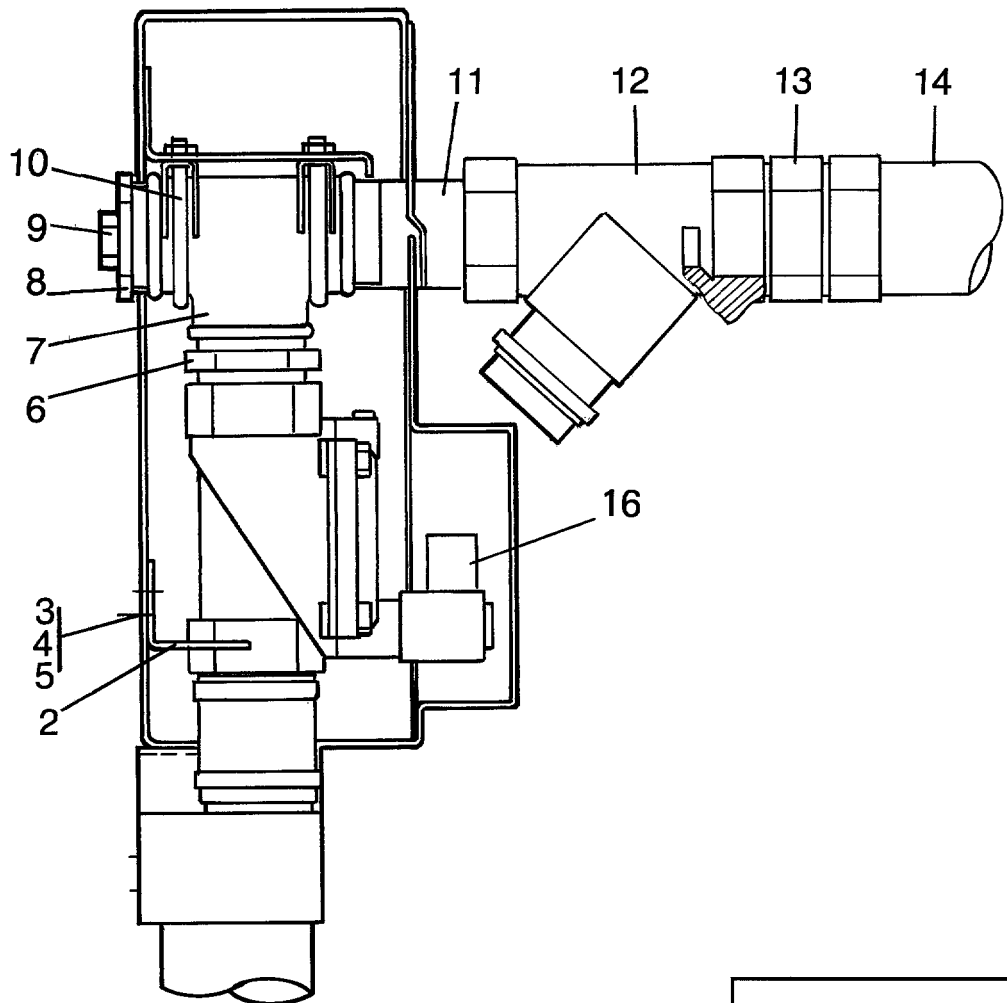
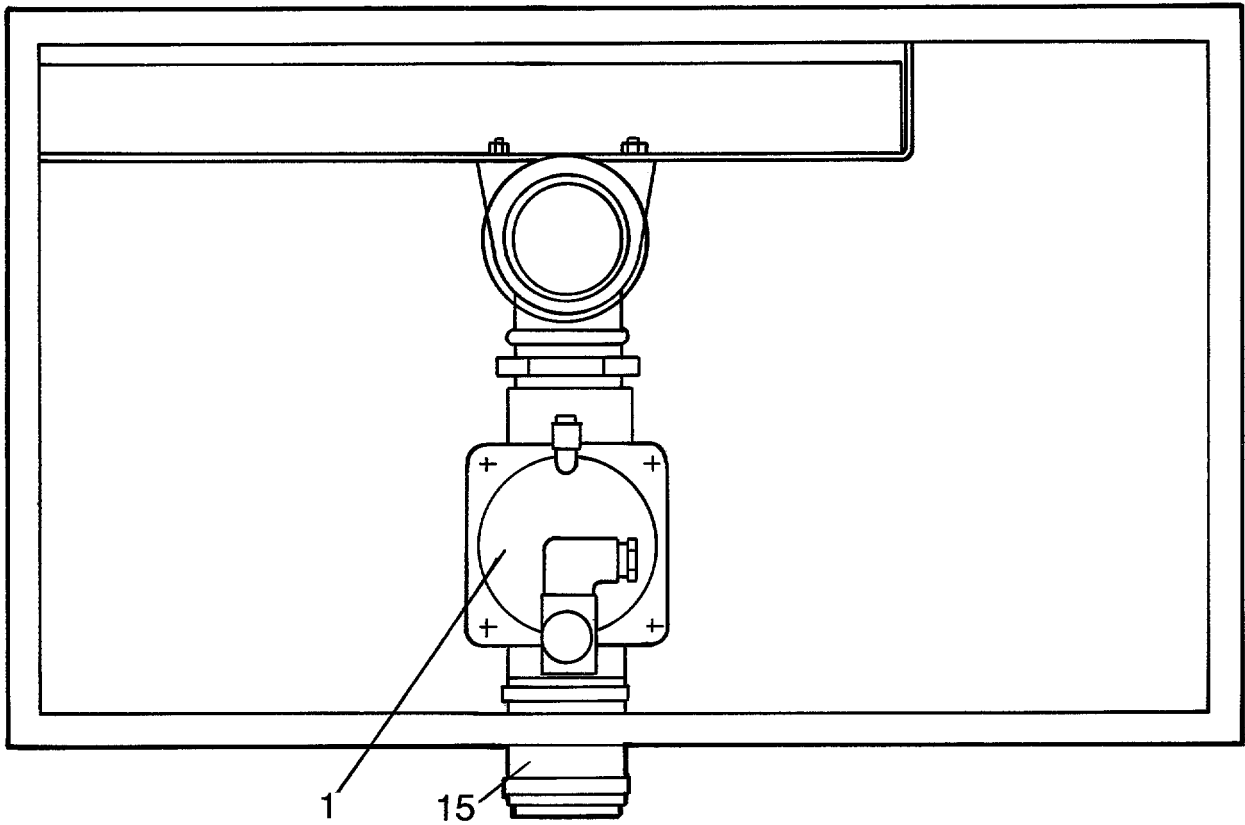
EX-200 -83/1060,EX-200 HI-TEK -83/1060

Control unit

Organe de direction

Illustration Issue Month Year
Schéma Issue Month Year
100446 1 5 1988

| Item Article | Qua Qua | Art.No Réf. article | Description | Description | Info Info | Notes Remarques |
|-----------------|------------|------------------------|----------------------|---------------------|--------------|--------------------|
| 1 | 1 | 472 6943-01 | Control unit | Unité de commande | 3 | 50Hz Complete |
| | 1 | 472 6943-02 | Control unit | Unité de commande | 3 | 60Hz Complete |
| 2 | 1 | 471 9043-04 | •Solenoid valve | •Électrovanne | 1,2 | 50Hz |
| | 1 | 471 9067-46 | •Solenoid valve | •Électrovanne | 1,2 | 60Hz |
| 3 | 1 | 471 9202-32 | •Solenoid valve | •Électrovanne | 1,2 | 50Hz |
| | 1 | 471 9202-33 | •Solenoid valve | •Électrovanne | 1,2 | 60Hz |
| 4 | 6 | 724 1289-01 | •Screw | •Vis | 3 | M4X10 |
| 5 | 4 | 471 9062-94 | •Connection | •Embrayage | 3 | |
| 6 | 1 | 471 9062-92 | •Angle connector | •Raccord d'angle | 3 | |
| 7 | 1 | 471 9062-93 | •Angle connector | •Raccord d'angle | 3 | |
| 8 | 1 | 471 9226-04 | •Bushing | •Douille | 3 | |
| 9 | 1 | 471 9063-58 | •Plug | •Fiche | 3 | |
| 10 | RQ | 471 4647-83 | •Hose | •Flexible | 3 | D6X1X750 |
| 11 | | 762 1182-10 | •Grommet | •Oeillet | 3 | Ø22,2MM |
| 12 | 2 | 762 1209-10 | •Grommet | •Oeillet | 3 | |
| 13 | 1 | 762 7212-57 | •Terminal connection | •Bloc de connexion | 3 | |
| 14 | 2 | 724 1228-01 | •Screw | •Vis | 3 | M3X16 |
| 15 | 1 | 471 4091-01 | Cover plate | Plaque recouvrement | 3 | White |
| | 1 | 471 4091-02 | Cover plate | Plaque recouvrement | 3 | Yellow |



| Issue | Month | Year |
|-------|-------|------|
| 01 | 05 | 88 |

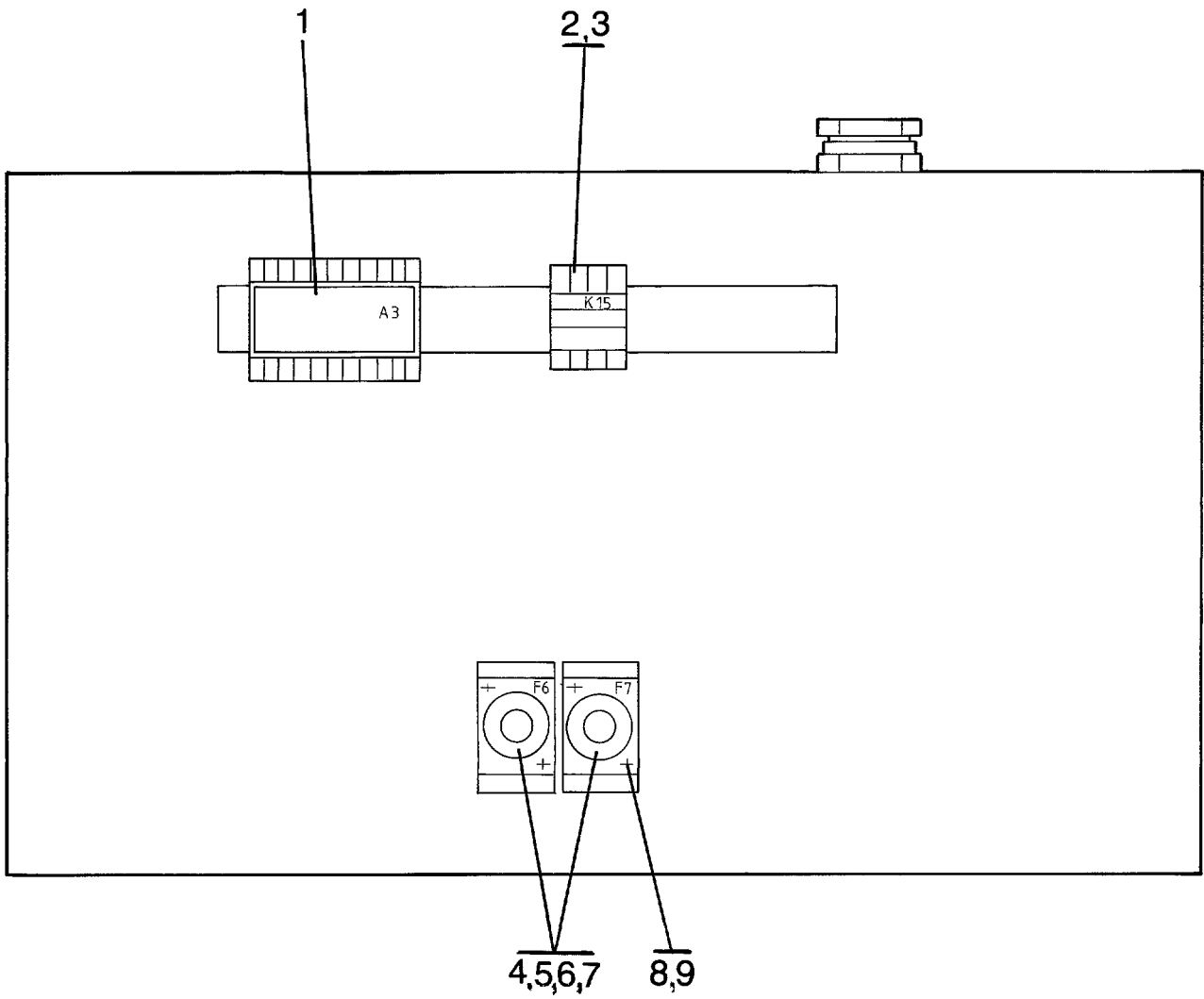
EX-200 83/1061-,EX-200 HI-TEK 83/1061-

Third water valve

Soupapes vapeur et eau

| | | | |
|---------------|----------|----------|-------------|
| Illustration | Issue | Month | Year |
| Schéma | Issue | Month | Year |
| 100447 | 1 | 5 | 1988 |

| Item Article | Qua Qua | Art.No Réf. article | Description | Description | Info Info | Notes Remarques |
|-----------------|------------|------------------------|-------------|--------------------|--------------|---------------------------|
| | | 988 8017-01 | Valve | Soupape | | 50Hz Complete |
| | | 988 8017-02 | Valve | Soupape | | 60Hz Complete |
| 1 | 1 | 471 8210-52 | Valve | Soupape | 1,2 | 2", 50Hz See group US8116 |
| | | 471 8210-51 | Valve | Soupape | 1,2 | 2", 60Hz See group US8116 |
| 2 | 1 | 472 6830-02 | Angle | Coude | 3 | |
| 3 | 2 | 725 2368-51 | Screw | Vis | 3 | M6X16 |
| 4 | 2 | 734 1153-01 | Washer | Rondelle | 3 | BRB 6,4X12 |
| 5 | 2 | 731 2316-01 | Nut | Écrou | 3 | M6 |
| 6 | 1 | 471 8629-07 | Muff | Tubulure | 3 | |
| 7 | 1 | 471 8603-11 | T-pipe | Tube en T | 3 | 2" |
| 8 | 1 | 471 8604-01 | Bushing | Douille | 3 | |
| 9 | 1 | 741 5115-00 | Plug | Fiche | 3 | |
| 10 | 2 | 471 7858-02 | Clamp | Attache | 3 | |
| 11 | 1 | 471 8620-27 | Nipple pipe | Tuyau raccordement | 3 | |
| 12 | 1 | 744 3119-06 | Filter | Filtre | 1 | 2" |
| 13 | 4 | 471 8624-02 | Nipple | Raccord | 3 | 2" |
| 14 | 1 | 471 8126-05 | Hose | Flexible | 3 | |
| 15 | 1 | 472 6837-01 | Pipe | Tube | 3 | 2" |
| 16 | 1 | 471 8210-90 | Connector | Connexion | 3 | |



100448

| Issue | Month | Year |
|-------|-------|------|
| 01 | 05 | 88 |

EX-200 -85/1190,EX-200 HI-TEK -85/1190

**Motor brake
Frein moteur**

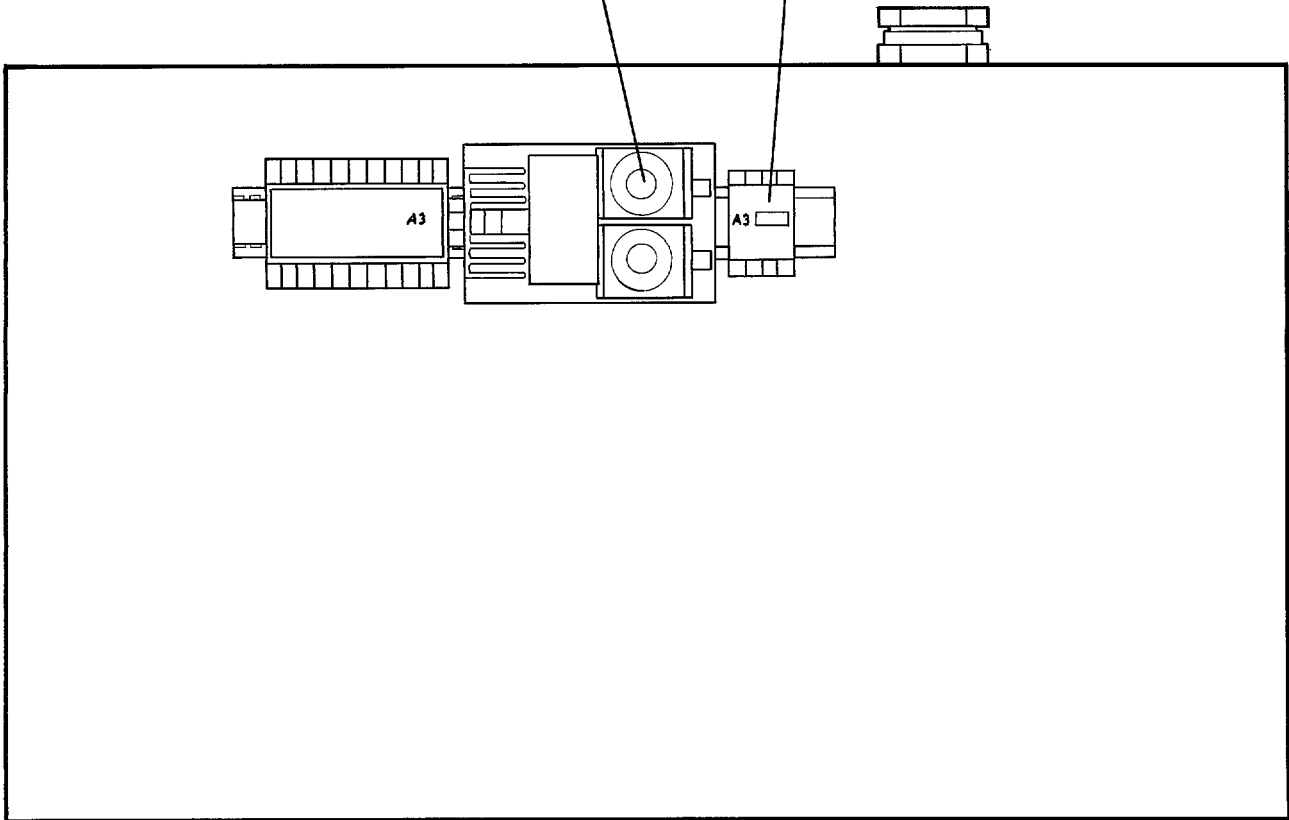
Illustration Issue Month Year
Schéma Issue Month Year
100448 1 5 1988

| Item Article | Qua Qua | Art.No Réf. article | Description | Description | Info Info | Notes Remarques |
|-----------------|------------|------------------------|--------------|--------------------|--------------|--------------------|
| 1 | 1 | 471 9750-01 | Brake unit | Organe de freinage | 1 | 380/220V |
| | 1 | 471 9750-03 | Brake unit | Organe de freinage | 1 | 415V |
| 2 | 1 | 472 9902-78 | Contactactor | Relais | 1,2 | 50Hz |
| | 1 | 472 9902-77 | Contactactor | Relais | 1,2 | 60Hz |
| 3 | | | | | | Not used |
| 4 | 2 | 471 8751-02 | | | 1,2 | |
| 5 | 2 | 471 8751-52 | Insert | Insertion | 3 | 50A |
| 6 | 2 | 471 8751-76 | | | 1,2 | |
| 7 | 2 | 471 8751-26 | Hood | Capot | 3 | 63A |
| 8 | 4 | 729 5348-04 | Screw | Vis | 3 | RXS B8X25 |
| 9 | 4 | 734 1136-01 | Washer | Rondelle | 3 | BRB 4,3X9 |

1

2,3

4

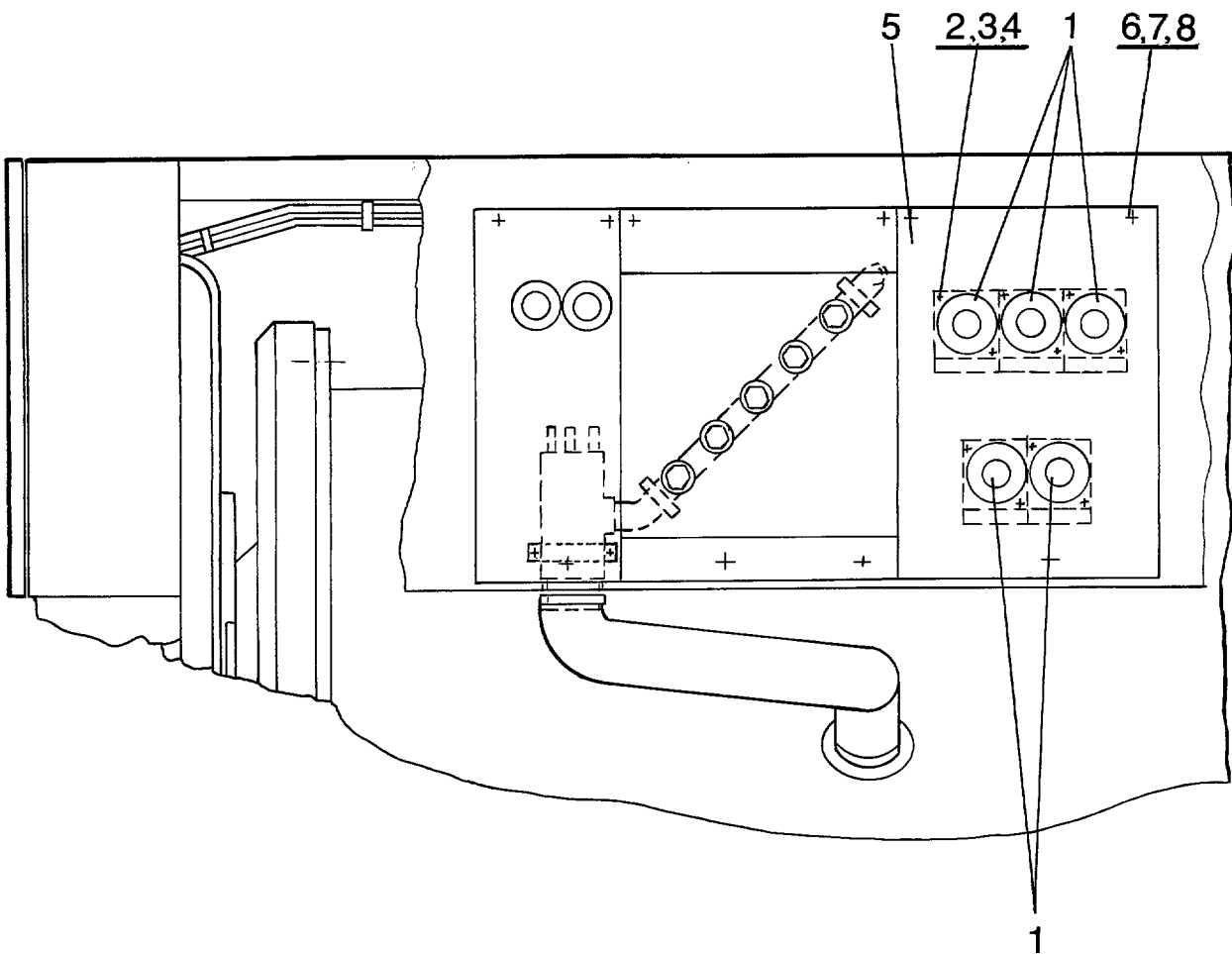


EX-200 85/1191-,EX-200 HI-TEK 85/1191-

**Motor brake
Frein moteur**

Illustration Issue Month Year
Schéma Issue Month Year
100449 1 5 1988

| Item Article | Qua Qua | Art.No Réf. article | Description | Description | Info Info | Notes Remarques |
|-----------------|------------|------------------------|-------------|----------------|--------------|--------------------|
| 1 | 1 | 988 8013-01 | Motor brake | Frein moteur | | 208-415V |
| | 1 | 988 8013-03 | Motor brake | Frein moteur | | 420-500V |
| | 1 | 988 8013-08 | Motor brake | Frein moteur | | 208-415V,MP |
| | 1 | 988 8013-09 | Motor brake | Frein moteur | | 420-500V,MP |
| 2 | 1 | 471 9750-10 | Motor brake | Frein moteur | 1 | 208-415V Complete |
| | 2 | 471 9750-11 | Motor brake | Frein moteur | 1 | 420-500V Complete |
| 3 | | 471 9750-98 | •Fuse | •Porte-fusible | 1,2 | |
| 4 | 1 | 471 9750-99 | •Contactor | •Relais | 1,2 | Not used |



| Issue | Month | Year |
|-------|-------|------|
| 01 | 05 | 88 |

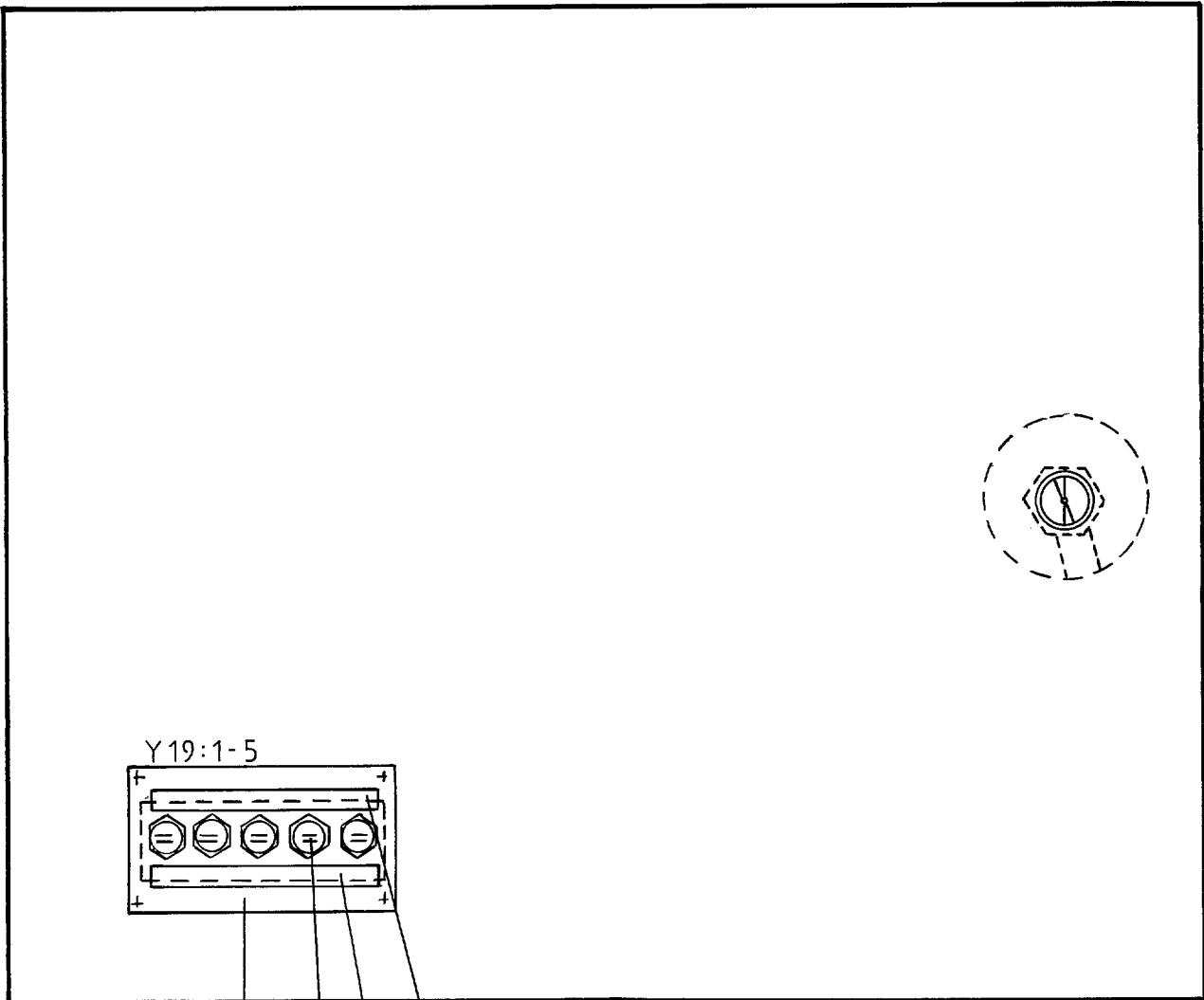
EX-200 85/1191-,EX-200 HI-TEK 85/1191-

Time relay for detergent

Relais temporisé pour savon

| | | | |
|---------------|----------|----------|-------------|
| Illustration | Issue | Month | Year |
| Schéma | Issue | Month | Year |
| 100450 | 1 | 5 | 1988 |

| Item Article | Qua Qua | Art.No Réf. article | Description | Description | Info Info | Notes Remarques |
|-----------------|------------|------------------------|-------------|---------------------|--------------|---------------------|
| 1 | 5 | 988 8010-03 | Time relay | Relais temporisé | | COMPL.FOR DETERGENT |
| 2 | 10 | 471 9226-97 | Time relay | Relais temporisé | 1,2 | 50/60Hz |
| 3 | 20 | 724 1226-01 | Screw | Vis | 3 | M3X12 |
| 4 | 10 | 734 1124-01 | Washer | Rondelle | 3 | BRB 3X7 |
| 5 | 1 | 732 2110-01 | Locking nut | Contre-écrou | 3 | M3 |
| 6 | 3 | 472 6840-02 | Cover plate | Plaque recouvrement | 3 | |
| 7 | 6 | 725 2364-51 | Screw | Vis | 3 | M6X10 |
| 8 | 3 | 734 1153-01 | Washer | Rondelle | 3 | BRB 6,4X12 |
| | | 732 2116-01 | Locking nut | Contre-écrou | 3 | M6 |



Y19:1-5

4 1 3 2

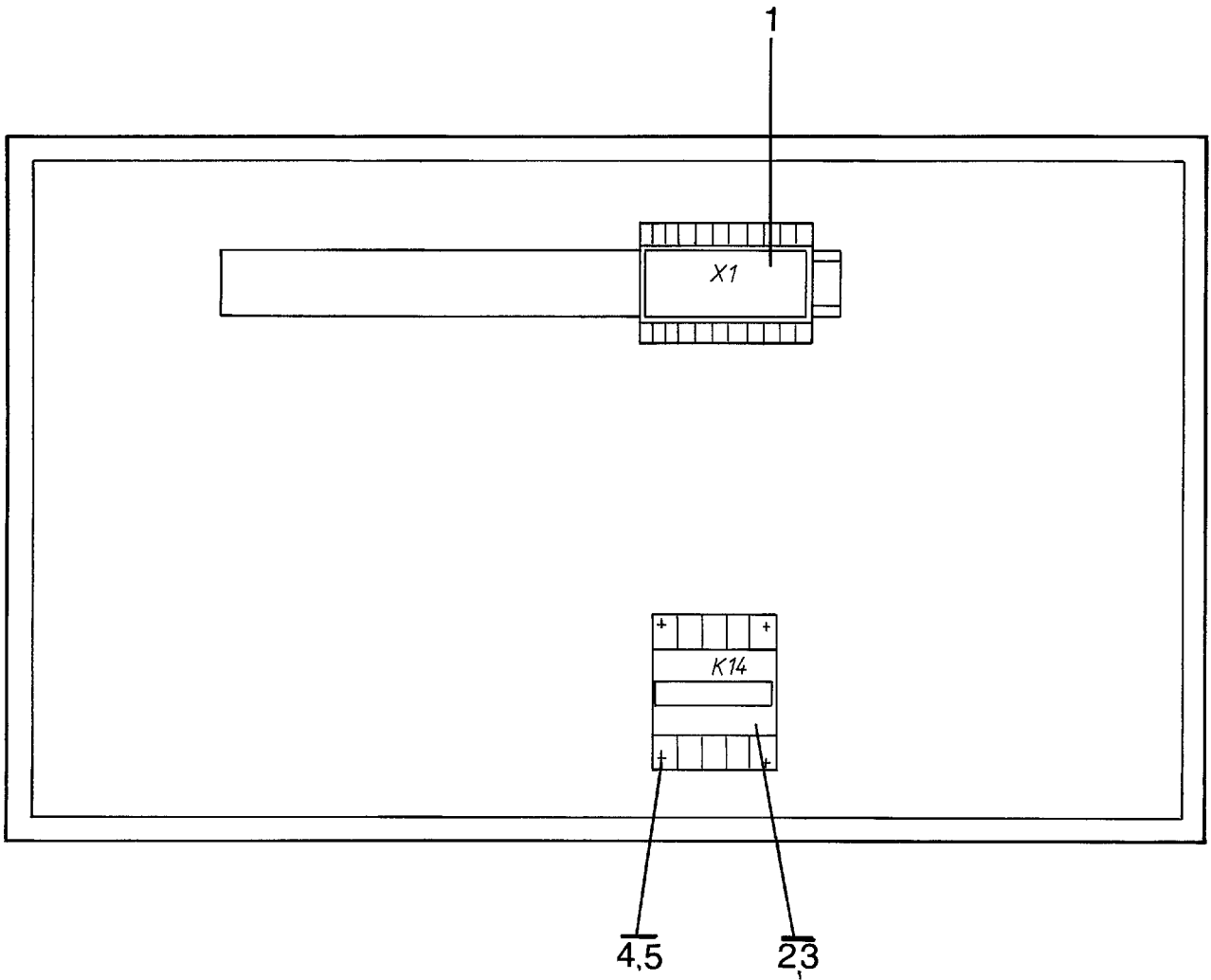
EX-200,EX-200 HI-TEK

Switches

Groupe de boutons

| | | | |
|---------------|----------|----------|-------------|
| Illustration | Issue | Month | Year |
| Schéma | Issue | Month | Year |
| 100451 | 2 | 9 | 1989 |

| Item Article | Qua Qua | Art.No Réf. article | Description | Description | Info Info | Notes Remarques |
|-----------------|------------|------------------------|-------------|---------------------|--------------|--------------------|
| 1 | 5 | 988 8010-04 | Button pad | Groupe de boutons | | Complete |
| 2 | 1 | 471 9037-49 | Switch | Commutateur | 1,2 | |
| 3 | 1 | 471 4353-01 | Sign | Signe | 3 | |
| 3 | 1 | 471 4353-02 | Sign | Signe | 3 | |
| 4 | 1 | 472 6853-02 | Cover plate | Plaque recouvrement | 3 | Brown -87/1332 |
| | 1 | 472 6853-03 | Cover plate | Plaque recouvrement | 3 | Black 87/1333- |
| | 1 | 472 6853-04 | Cover plate | Plaque recouvrement | 3 | Black 87/1333- |



100452

| Issue | Month | Year |
|-------|-------|------|
| 01 | 05 | 88 |

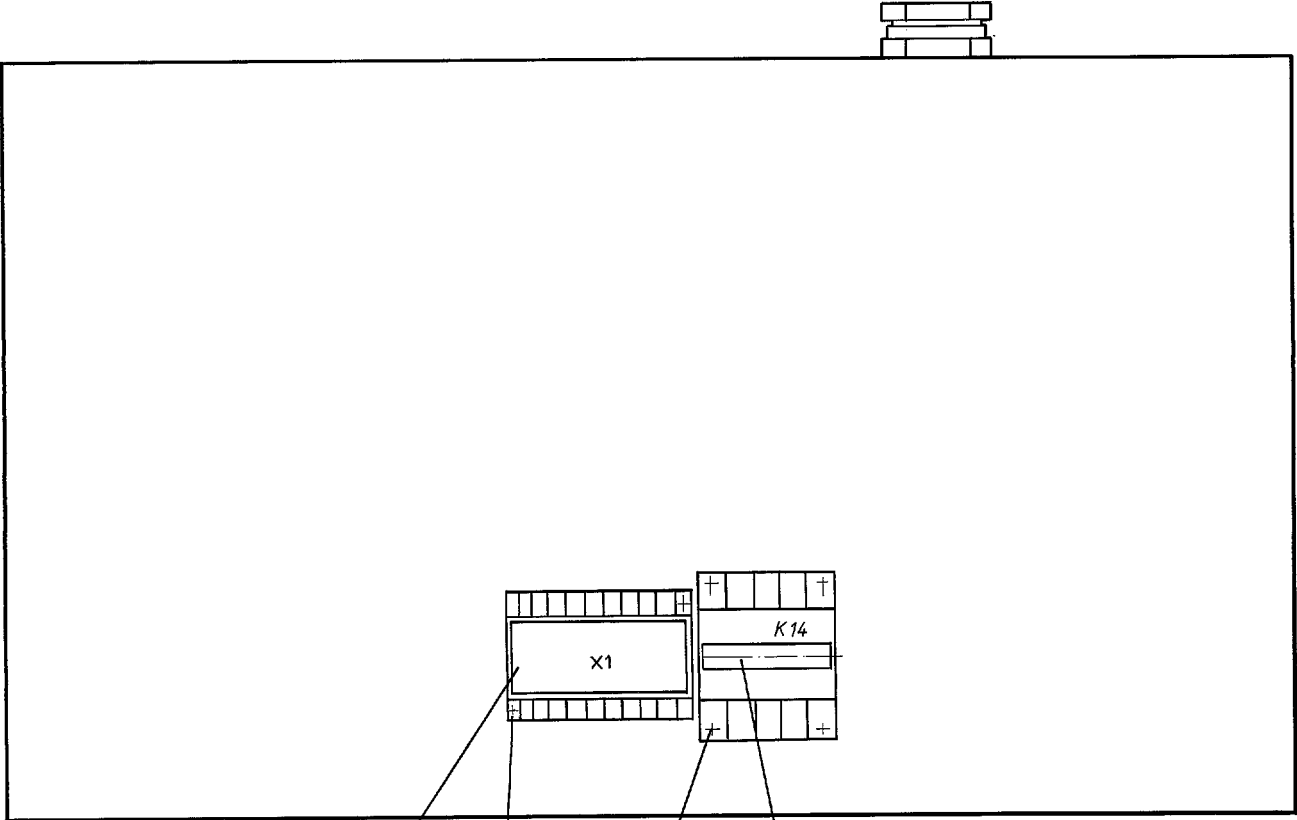
EX-200,EX-200 HI-TEK

Voltage control

Réglage de la tension

Illustration Issue Month Year
Schéma Issue Month Year
100452 1 5 1988

| Item Article | Qua Qua | Art.No Réf. article | Description | Description | Info Info | Notes Remarques |
|-----------------|------------|------------------------|-----------------|-----------------------|--------------|--------------------|
| 1 | 1 | 471 9581-02 | Voltage control | Réglage de la tension | 1,2 | 220V |
| | 1 | 471 9581-01 | Voltage control | Réglage de la tension | 1,2 | 380V |
| | 1 | 471 9581-03 | Voltage control | Réglage de la tension | 1,2 | 415V |
| 2 | 1 | 472 9902-78 | Contactor | Relais | 1,2 | 50Hz |
| | 1 | 472 9902-77 | Contactor | Relais | 1,2 | 60Hz |
| 3 | | | | | | Not used |
| 4 | 4 | 729 5348-01 | Screw | Vis | 3 | RXS B8X25 |
| 5 | 4 | 734 1146-01 | Washer | Rondelle | 3 | BRB 5,3X10 |



1

4

4,5

2,3

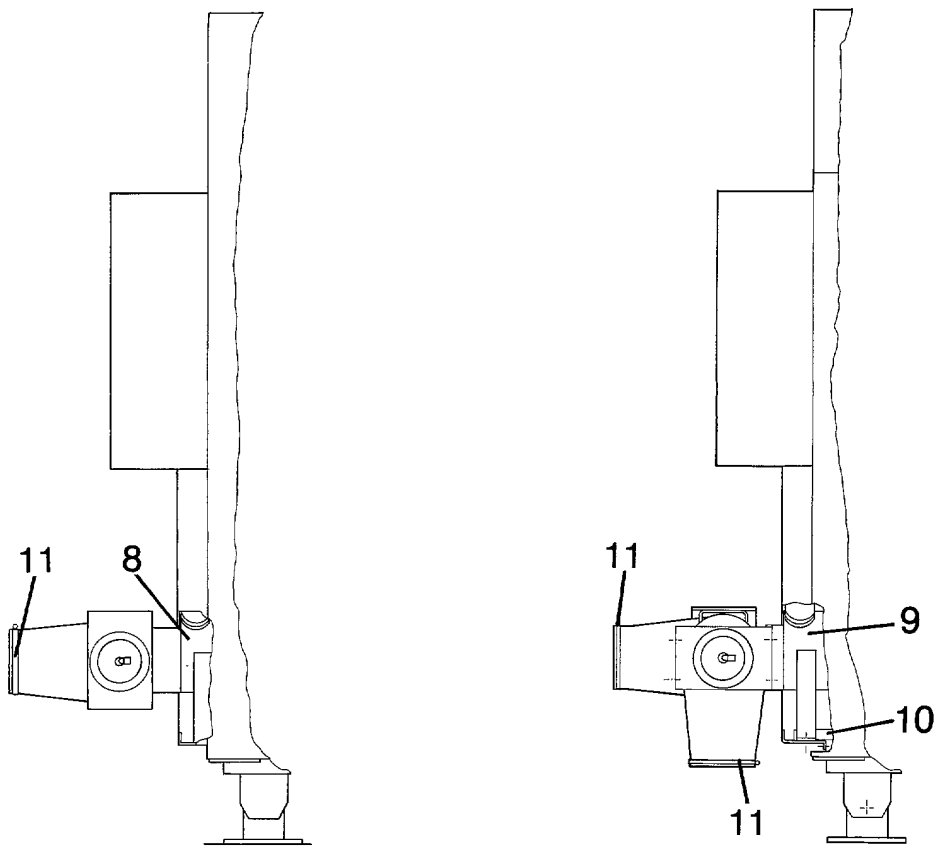
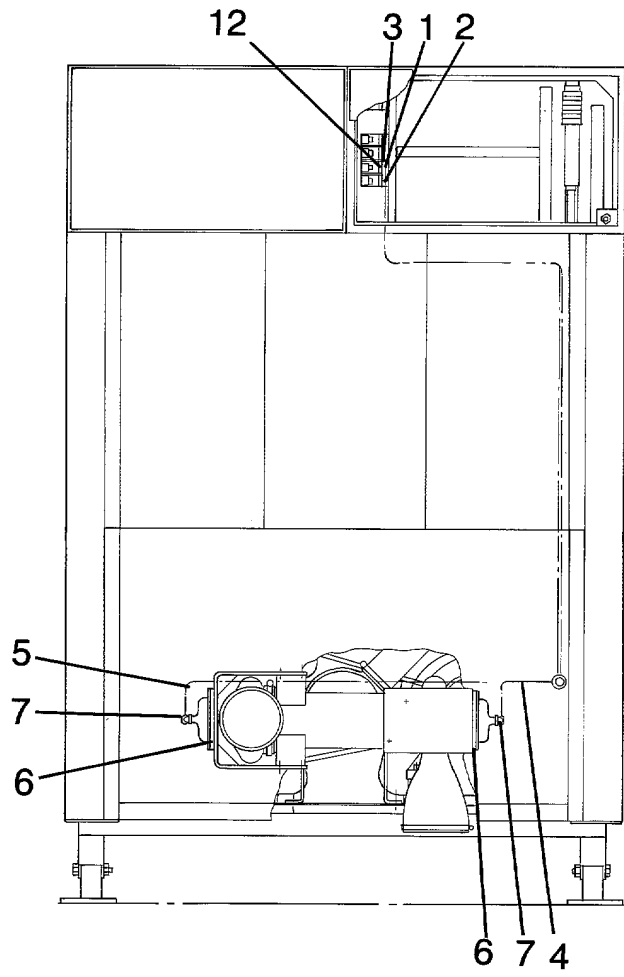
EX-200,EX-200 HI-TEK

Voltage control

Réglage de la tension

Illustration Issue Month Year
Schéma Issue Month Year
100453 2 10 1990

| Item Article | Qua Qua | Art.No Réf. article | Description | Description | Info Info | Notes Remarques |
|-----------------|------------|------------------------|------------------|------------------------|--------------|-----------------------|
| 1 | 1 | 988 8016-01 | Voltage control | Réglage de la tension | | 380V 50Hz Complete |
| | 1 | 988 8016-02 | Voltage control | Réglage de la tension | | 220V 50Hz Complete |
| | 1 | 988 8016-03 | Voltage control | Réglage de la tension | | 220V 60Hz Complete |
| | 1 | 988 8016-04 | Voltage control | Réglage de la tension | | 415V 50Hz Complete |
| | 1 | 988 8016-09 | Voltage control | Réglage de la tension | | 208V 60Hz Complete |
| | 1 | 988 8016-10 | Voltage control | Réglage de la tension | | 240V 60Hz Complete |
| | 1 | 988 8016-11 | Voltage control | Réglage de la tension | | 440V 60Hz Complete |
| | 1 | 471 9581-02 | •Voltage control | •Réglage de la tension | 1,2 | 220V |
| | 1 | 471 9581-01 | •Voltage control | •Réglage de la tension | 1,2 | 380V |
| | 1 | 471 9581-03 | •Voltage control | •Réglage de la tension | 1,2 | 415V |
| | 1 | 471 9581-04 | •Voltage control | •Réglage de la tension | 1,2 | 208V |
| 2 | 1 | 471 9581-05 | •Voltage control | •Réglage de la tension | 1,2 | 240V |
| | 1 | 471 9581-06 | •Voltage control | •Réglage de la tension | 1,2 | 440V |
| 3 | 1 | 472 9902-78 | •Contactor | •Relais | 1,2 | 50Hz |
| | 1 | 472 9902-77 | •Contactor | •Relais | 1,2 | 60Hz |
| 4 | 6 | 729 5348-01 | •Screw | •Vis | 3 | Not used RXS B8X25 |
| 5 | 4 | 734 1146-01 | •Washer | •Rondelle | 3 | BRB 5,3X10 |



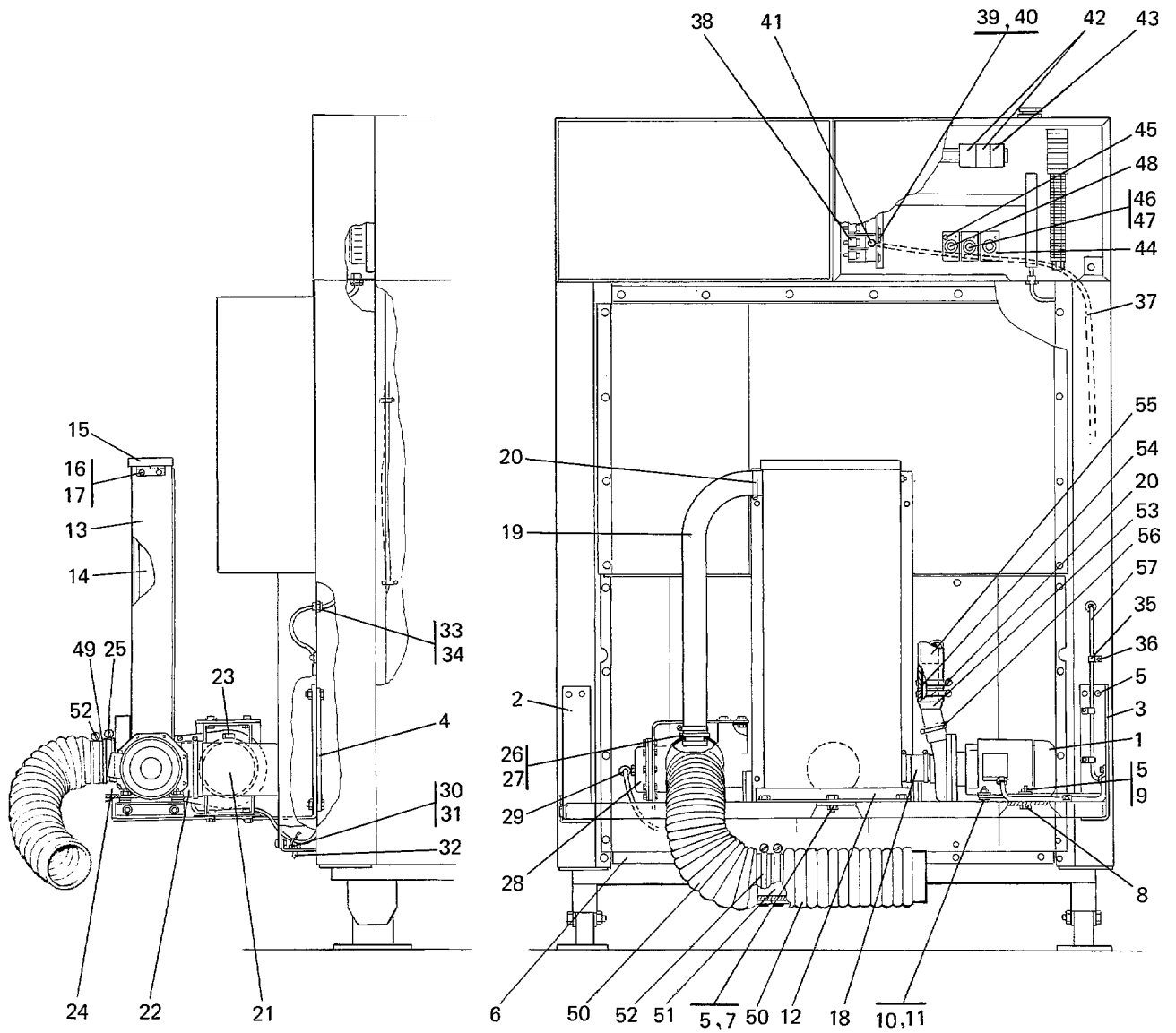
EX-200,EX-200 HI-TEK

Water and heat recovery

Récupération chauffage et eau

Illustration Issue Month Year
Schéma Issue Month Year
100454 1 5 1988

| Item Article | Qua Qua | Art.No Réf. article | Description | Description | Info Info | Notes Remarques |
|-----------------|------------|------------------------|-----------------|------------------|--------------|--|
| | | 988 8012-01 | Recovery | Récupération | | 220V50Hz COMPL 2OUTLETBACKWARD |
| | | 988 8012-02 | Recovery | Récupération | | 220V60Hz COMPL 2OUTLETBACKWARD |
| | | 988 8012-03 | Recovery | Récupération | | 220V50Hz COMPL 1OUTLETBACKWARD 1 OUTLET DOWNWARD |
| | | 988 8012-04 | Recovery | Récupération | | 220V60Hz COMPL 1OUTLETBACKWARD 1 OUTLET DOWNWARD |
| | | 988 8012-11 | Recovery | Récupération | | 220V 50Hz COMPL.MP 2 OUTLETS BACKWARD |
| | | 988 8012-17 | Recovery | Récupération | | 220V 60Hz COMPL.MP 2 OUTLETS BACKWARD |
| | | 988 8012-13 | Recovery | Récupération | | 220V 50Hz COMPL.MP 1 OUTLET BACKWARD, DOWNWARD |
| | | 988 8012-14 | Recovery | Récupération | | 220V 60Hz COMPL.MP 1 OUTLET BACKWARD, DOWNWARD |
| 1 | 1 | 471 9043-04 | Solenoid valve | Électrovanne | 1,2 | 50Hz |
| | 1 | 471 9067-46 | Solenoid valve | Électrovanne | 1,2 | 60Hz |
| 2 | 2 | 724 1327-01 | Screw | Vis | 3 | M5X12 |
| 3 | 1 | 471 8626-03 | Nipple | Raccord | 3 | |
| 4 | 1 | 471 4647-80 | Hose | Flexible | 3 | |
| 5 | 1 | 471 2464-58 | Hose | Flexible | 3 | |
| 6 | 2 | 471 4107-90 | Drain valve | Purgeur | 1,2 | See illustr. 100246, 100441 |
| 7 | 2 | 471 9062-93 | Angle connector | Raccord d'angle | 3 | |
| 8 | 1 | 472 6983-01 | Drain | Écoulement | 3 | 2-way |
| 9 | 1 | 472 6983-02 | Drain | Écoulement | 3 | 2-way |
| 10 | 2 | 472 6857-01 | Support | Support | 3 | |
| 11 | 2 | 471 9219-86 | Hose clamp | Attache flexible | 3 | |
| 12 | 2 | 471 9062-94 | Connection | Embrayage | 3 | 85/1191- |



100483

| Issue | Month | Year |
|-------|-------|------|
| 01 | 05 | 88 |

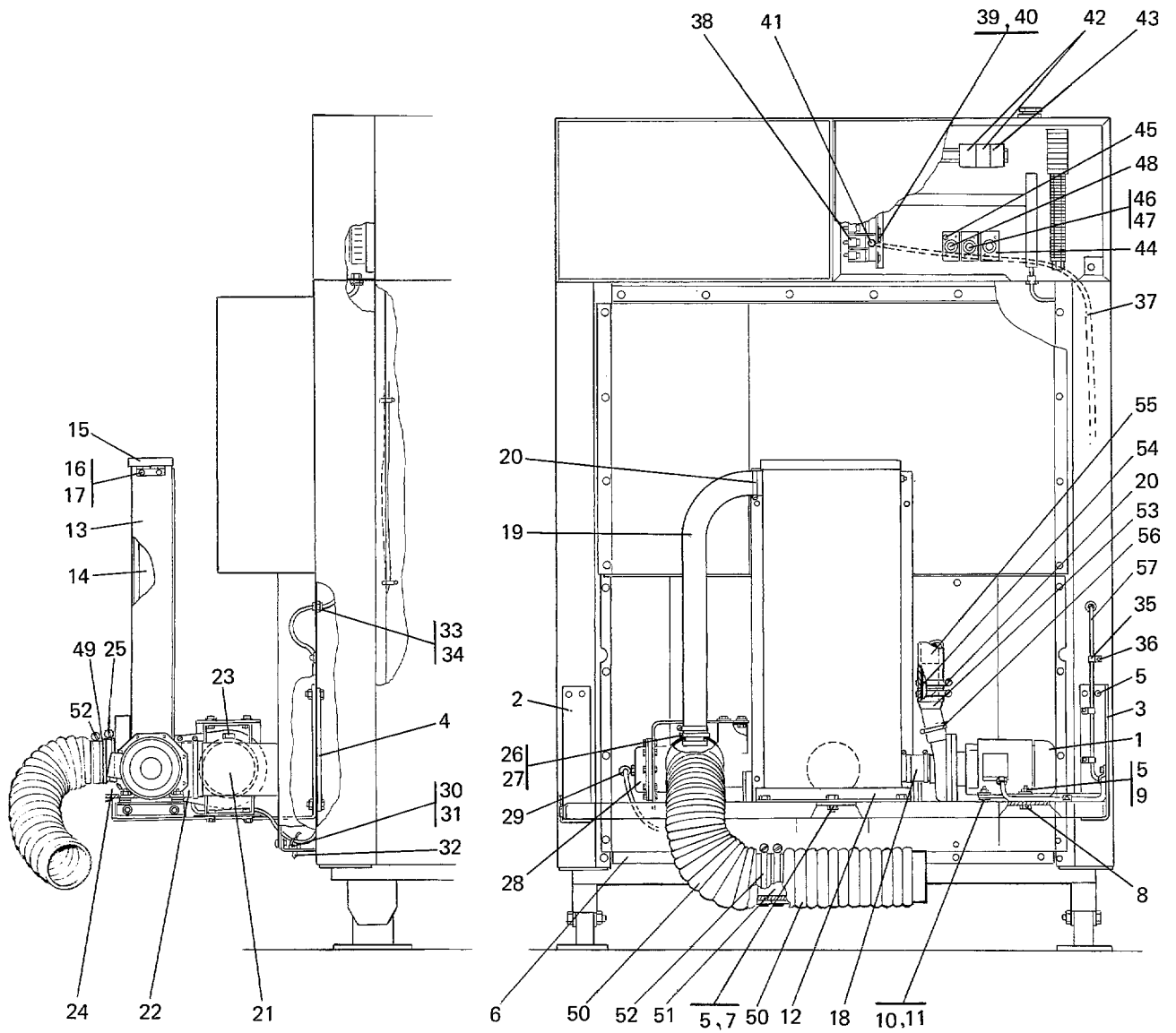
EX-200,EX-200 HI-TEK

Water recovery with pump

Récupération eau avec pompe

Illustration Issue Month Year
Schéma Issue Month Year
100483 3 5 1998

| Item Article | Qua Qua | Art.No Réf. article | Description | Description | Info Info | Notes Remarques |
|-----------------|------------|------------------------|-----------------------|--------------------------------|--------------|--|
| | | 988 8012-09 | Recovery | Récupération | | 380/220V 50Hz Complete 1 OUTLET WITH PUMP,VALVE |
| 1 | 1 | 471 8265-09 | Pump | Pompe | 1,2 | |
| 2 | 1 | 471 9096-01 | Bracket | Pupitre | 3 | |
| 3 | 1 | 471 9096-02 | Bracket | Pupitre | 3 | |
| 4 | 4 | 471 2418-42 | Bracket | Support de montage | 3 | |
| 5 | 19 | 732 2118-01 | Locking nut | Contre-écrou | 3 | M8 |
| 6 | 1 | 472 9097-02 | Beam | Poutre | 3 | |
| 7 | 11 | 725 2453-51 | Screw | Vis | 3 | M8X25 |
| 8 | 4 | 725 2459-51 | Screw | Vis | 3 | M8X40 |
| 9 | 4 | 734 1164-01 | Washer | Rondelle | 3 | 8,4X17 |
| 10 | 4 | 471 9073-59 | Washer | Rondelle | 3 | TBR SB 13X36 |
| 11 | 8 | 471 9019-34 | Washer | Rondelle | 3 | TBR SB 8,4X26 |
| 12 | 1 | 472 9099-01 | Bracket | Support de montage | 3 | |
| 13 | 1 | 472 9093-01 | Strainer housing | Logement du filtre | 3 | |
| 14 | 1 | 471 4374-01 | Strainer | Filtre | 1,2 | |
| 15 | 1 | 471 4375-01 | Cover | Couvercle | 3 | |
| 16 | 2 | 724 1289-42 | Screw | Vis | 3 | M4X10 |
| 17 | 2 | 731 2312-42 | Nut | Écrou | 3 | M4 |
| 18 | 1 | 471 8128-41 | Hose | Flexible | 1,2 | L=90, 1 1/2" |
| 19 | 1 | 471 4387-01 | Hose | Flexible | 1,2 | |
| 20 | 6 | 736 2840-51 | Hose clamp | Attache flexible | 3 | Ø50-63 |
| 21 | 1 | 472 6983-03 | Drain | Écoulement | 3 | |
| 22 | 1 | 472 9070-01 | Hose | Flexible | 1,2 | |
| 23 | 3 | 736 2855-51 | Hose clamp | Attache flexible | 3 | Ø138 |
| 24 | 1 | 471 2683-01 | Pipe | Tube | 3 | |
| 25 | 2 | 471 9219-86 | Hose clamp | Attache flexible | 3 | |
| 26 | 1 | 438 4101-01 | Nipple | Raccord | 3 | |
| 27 | 1 | 438 4100-01 | Nut | Écrou | 3 | |
| 28 | 1 | 471 2417-20 | Drain valve, complete | Soupape de vidange, complet | 1,2 | |
| 29 | 1 | 471 8690-22 | Connection | Connexion | 3 | |
| 30 | 6 | 471 9004-75 | Bracket | Support de montage | 3 | |
| 31 | 6 | 762 9105-05 | Cable strap | Serre-câble | 3 | |
| 32 | 2 | 729 5340-01 | Screw | Vis | 3 | RXS B8X9,5 |
| 33 | 2 | 471 8753-20 | Screw fitting | Vis de raccord | 3 | |
| 34 | 2 | 732 9809-13 | Nut | Écrou | 3 | |
| 35 | 6 | 762 9163-60 | Clamp | Attache | 3 | |
| 36 | 6 | 724 1289-01 | Screw | Vis | 3 | M4X10 |
| 37 | RQ | 471 2464-58 | Hose | Flexible | 1,2 | |
| 38 | 1 | 471 9043-04 | Solenoid valve | Électrovanne | 1,2 | 50Hz |
| 39 | 4 | 724 1327-01 | Screw | Vis | 3 | M5X12 |
| 40 | 4 | 734 1808-51 | Washer | Rondelle | 3 | NB 5X16 |
| 41 | 1 | 471 9062-94 | Connection | Embrayage | 3 | |
| 42 | 2 | 767 5122-00 | Contacteur | Relais | 1,2 | 50Hz |
| 43 | 1 | 471 9226-97 | Time relay | Relais temporisé | 1,2 | 50/60Hz |
| 44 | 3 | 471 8751-01 | | | 3 | |
| 45 | 6 | 724 1293-01 | Screw | Vis | 3 | M4X16 |
| 46 | 3 | 471 0751-77 | Fuse | Porte-fusible | 1,2 | 6A |
| 47 | 3 | 471 8751-51 | | | 3 | |
| 48 | 3 | 471 8751-25 | Hood | Capot | 3 | 25A |
| 49 | 1 | 472 9205-02 | Joint pipe | Tuyau de connexion | 3 | |
| 50 | 2 | 472 6373-01 | Hose | Flexible | 1 | |
| 51 | 1 | 472 9207-02 | Pipe | Tube | 3 | |
| 52 | 3 | 736 2855-51 | Hose clamp | Attache flexible | 3 | Ø138 |
| 53 | 1 | 472 9204-01 | Hose | Flexible | 1 | |
| 54 | 1 | 471 4013-01 | Pipe | Tube | 3 | |
| 55 | 1 | 471 8109-01 | Hose | Flexible | 1 | |
| 56 | 1 | 736 2837-51 | Hose clamp | Attache flexible | 3 | Ø48-54 |



100483

| Issue | Month | Year |
|-------|-------|------|
| 01 | 05 | 88 |

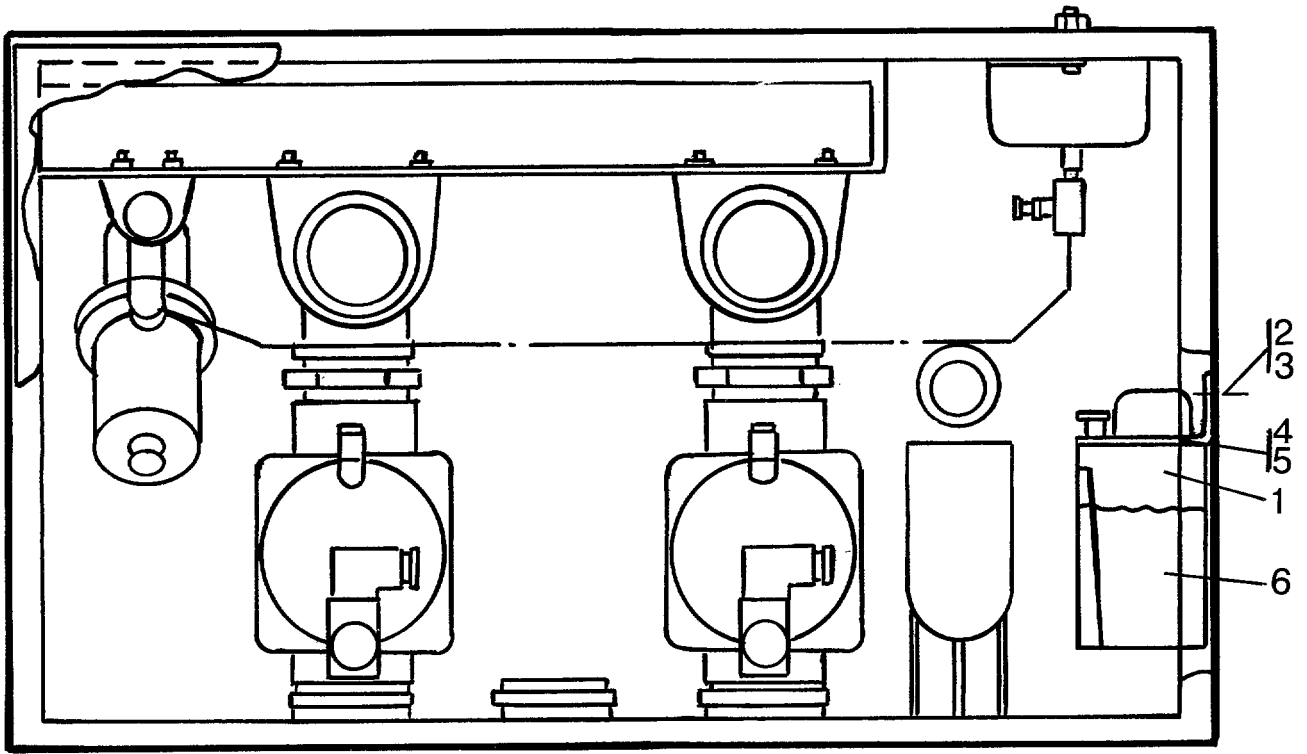
EX-200,EX-200 HI-TEK

Water recovery with pump

Récupération eau avec pompe

| | | | |
|---------------|----------|----------|-------------|
| Illustration | Issue | Month | Year |
| Schéma | Issue | Month | Year |
| 100483 | 3 | 5 | 1998 |

| Item Article | Qua Qua | Art.No Réf. article | Description | Description | Info Info | Notes Remarques |
|-----------------|------------|------------------------|-------------|-------------|--------------|--------------------|
| 57 | 1 | 471 7260-02 | Cable | Câble | 3 | |



100455

| Issue | Month | Year |
|-------|-------|------|
| 01 | 05 | 88 |

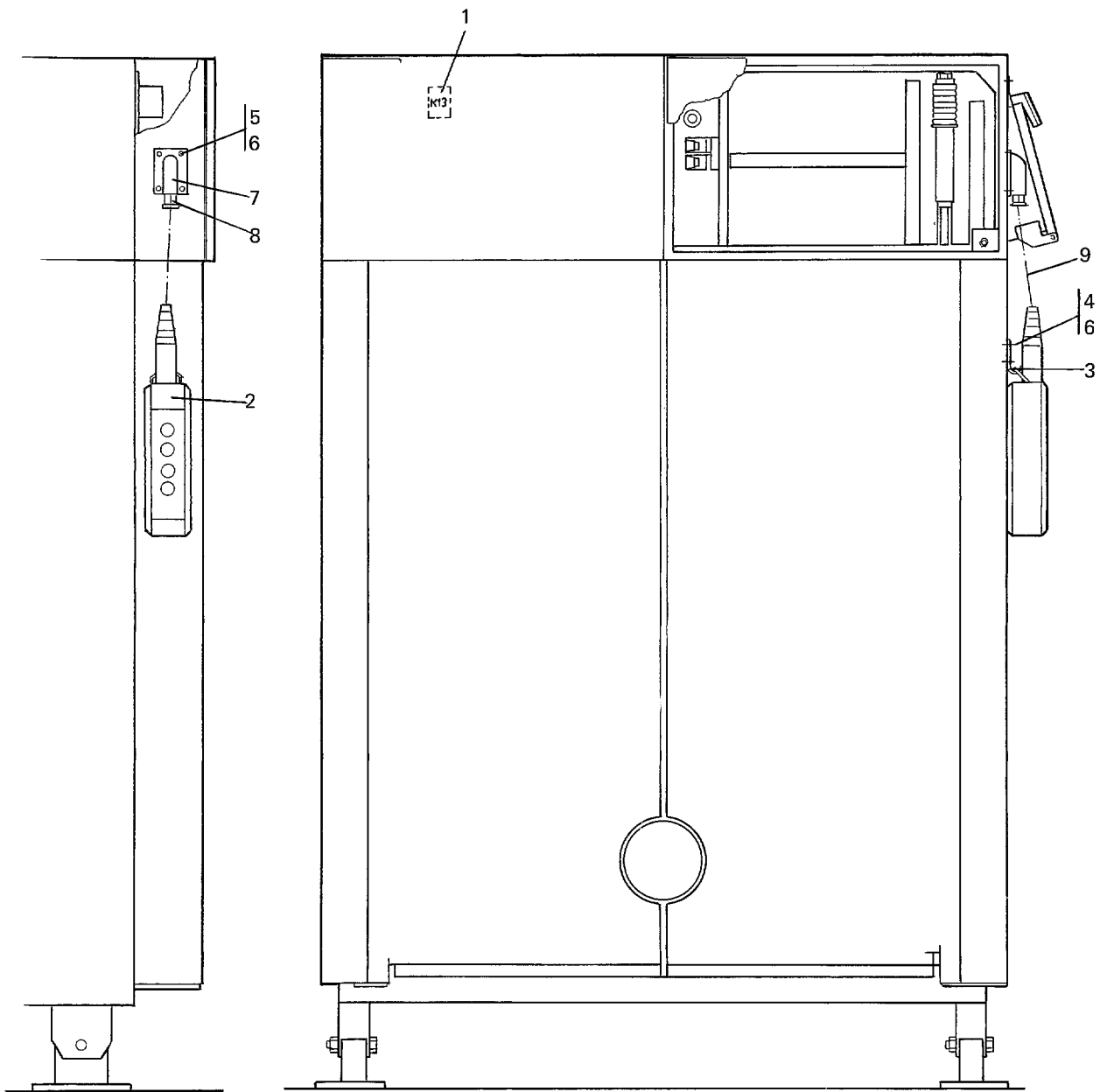
EX-200 83/1061-,EX-200 HI-TEK 83/1061-

Lubrication, v-ring

Lubrication, joint trapézoïdal

Illustration Issue Month Year
Schéma Issue Month Year
100455 3 4 1993

| Item Article | Qua Qua | Art.No Réf. article | Description | Description | Info Info | Notes Remarques |
|-----------------|------------|------------------------|----------------|----------------------|--------------|--------------------|
| 1 | 1 | 988 8014-01 | V-ring | Anneau en forme de V | | STD |
| | 1 | 988 8014-03 | V-ring | Anneau en forme de V | | MP |
| | 1 | 471 8260-01 | Pump | Pompe | 1 | 50Hz |
| | 1 | 471 8260-02 | Pump | Pompe | 1 | 60Hz |
| | 1 | 471 6870-11 | •Level control | •Réglage de niveau | 1,2 | |
| | 1 | 471 8260-56 | •Container | •Conteneur | 1 | |
| 2 | 2 | 725 2370-51 | Screw | Vis | 3 | M6X20 |
| 3 | 2 | 731 2316-01 | Nut | Écrou | 3 | M6 |
| 4 | 1 | 471 8260-91 | Cone | Cône | | |
| 5 | 1 | 471 8260-90 | Bushing | Douille | 3 | |
| 6 | RQ | 874 6611-00 | Oil | Huile | 3 | |



100484

| | | |
|-------|-------|------|
| Issue | Month | Year |
| 01 | 05 | 88 |

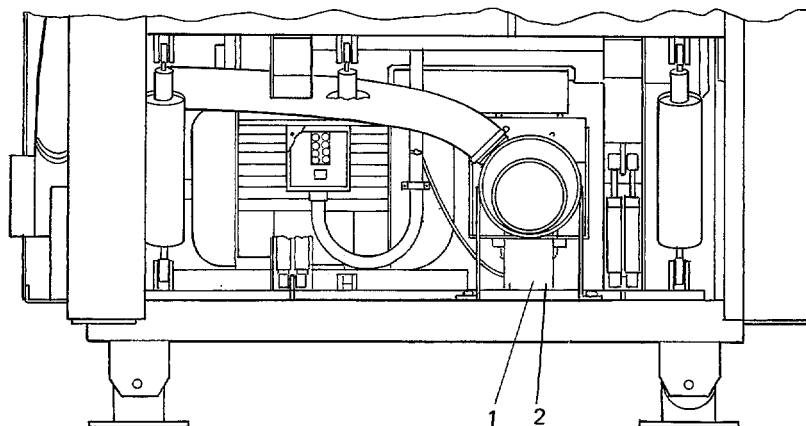
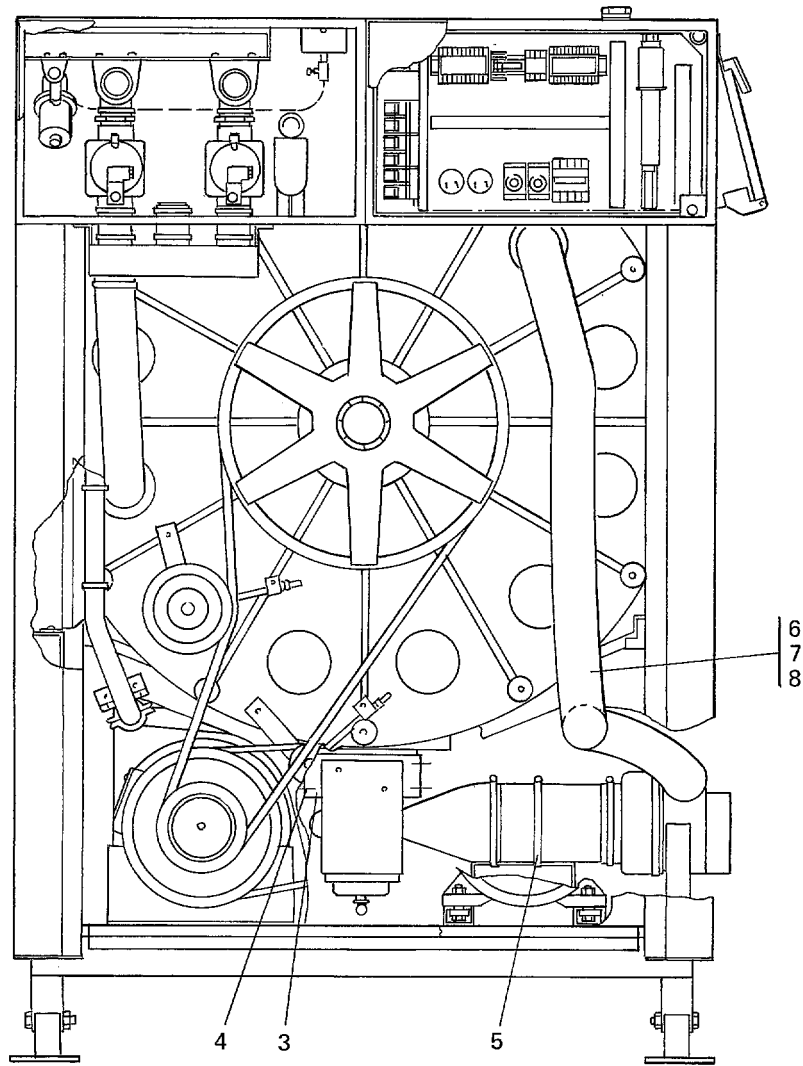
EX-200 83/1061-,EX-200 HI-TEK 83/1061-

Drum rotation with open door

Rotation du tambour avec plaque ouverte

Illustration Issue Month Year
Schéma Issue Month Year
100484 1 5 1988

| Item Article | Qua Qua | Art.No Réf. article | Description | Description | Info Info | Notes Remarques |
|-----------------|------------|------------------------|---------------------|-----------------|--------------|--------------------|
| 1 | 1 | 988 8011-05 | Door | Plaque | | 220V50Hz Complete |
| | | 988 8011-06 | Door | Plaque | | 220V60Hz Complete |
| 2 | 1 | 767 5131-00 | Contactactor | Relais | 1,2 | 50Hz |
| | | 767 5132-00 | Contactactor 60Hz | Relais,60Hz | 1,2 | 60Hz |
| 3 | 1 | 471 8721-01 | Control for tilting | Bouton-poussoir | 1,2 | |
| 4 | 2 | 472 6855-01 | Hook | Crochet | 3 | |
| 5 | 2 | 724 1368-42 | Screw | Vis | 3 | M6X16 |
| 6 | 2 | 725 2370-42 | Screw | Vis | 3 | M6X20 |
| 7 | 6 | 731 2316-01 | Nut | Écrou | 3 | M6 |
| 8 | 1 | 472 6852-04 | Cover | Couvercle | 3 | Black |
| 9 | 1 | 762 2111-05 | Sleeve | Manchon | 3 | |
| | 1 | 471 7253-01 | Cable | Câble | 1,2 | |



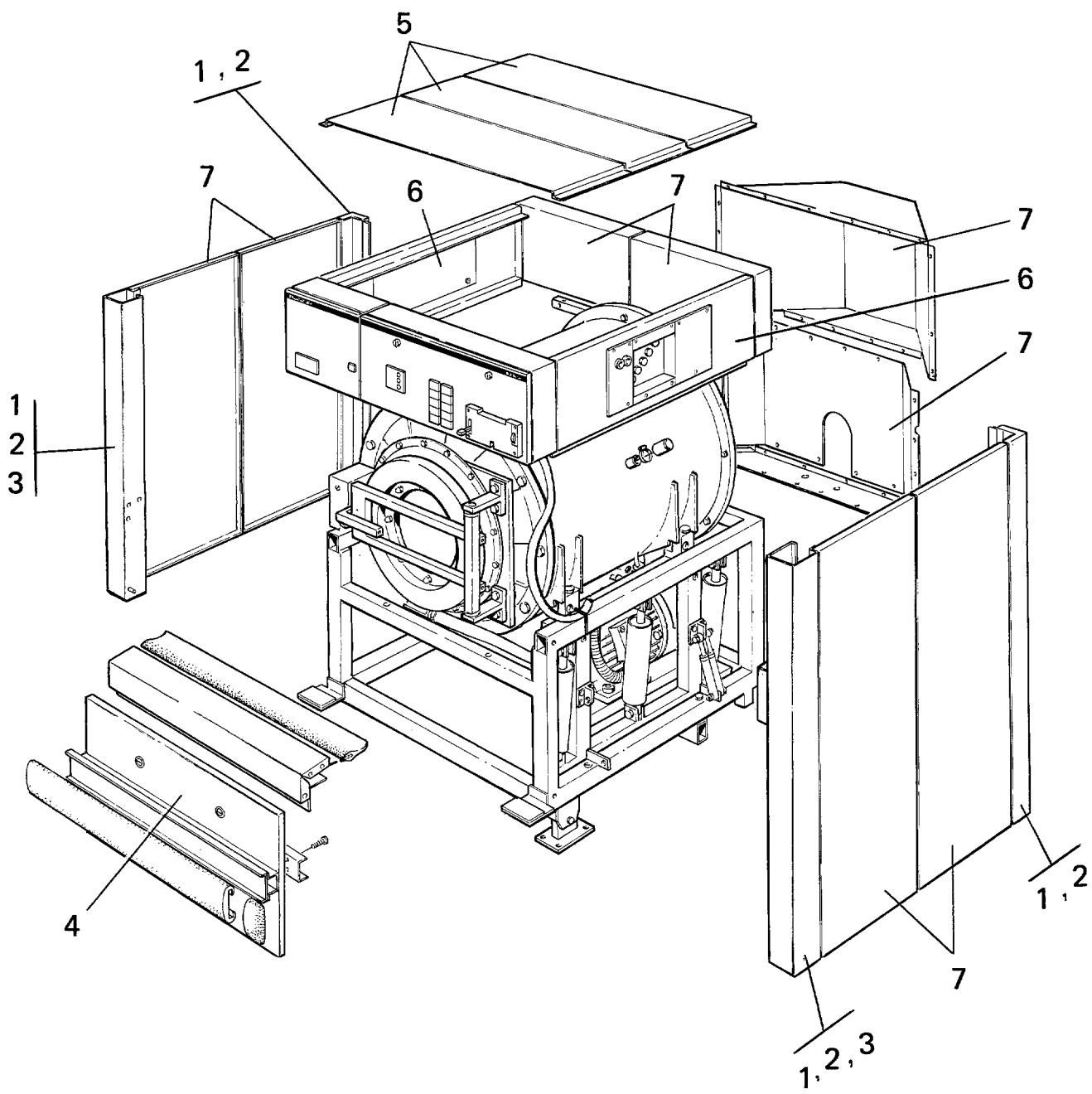
EX-200,EX-200 HI-TEK

Side outlet

Déversoir latéral

Illustration Issue Month Year
Schéma Issue Month Year
100485 1 5 1988

| Item Article | Qua Qua | Art.No Réf. article | Description | Description | Info Info | Notes Remarques |
|-----------------|------------|------------------------|-------------|------------------|--------------|---|
| | | 988 8010-06 | Drain | Écoulement | | 220V 50/60Hz OUTLET ON THE LEFT SIDE |
| 1 | 1 | 472 7964-01 | Bracket | Pièce de retenue | 3 | |
| 2 | 4 | 725 2364-61 | Screw | Vis | 3 | M6SF 6X10 |
| 3 | 1 | 472 7965-01 | Adapter | Adaptateur | 3 | |
| 4 | 4 | 725 2455-51 | Screw | Vis | 3 | M8X30 |
| 5 | 1 | 471 9219-86 | Hose clamp | Attache flexible | 3 | |
| 6 | 1 | 471 4005-90 | Hose | Flexible | 1,2 | |
| 7 | 1 | 471 2417-38 | Pipe | Tube | 3 | |
| 8 | 4 | 736 2849-51 | Hose clamp | Attache flexible | 3 | Ø77-93 |



100486

| | | |
|-------|-------|------|
| Issue | Month | Year |
| 01 | 05 | 88 |

EX-200,EX-200 HI-TEK

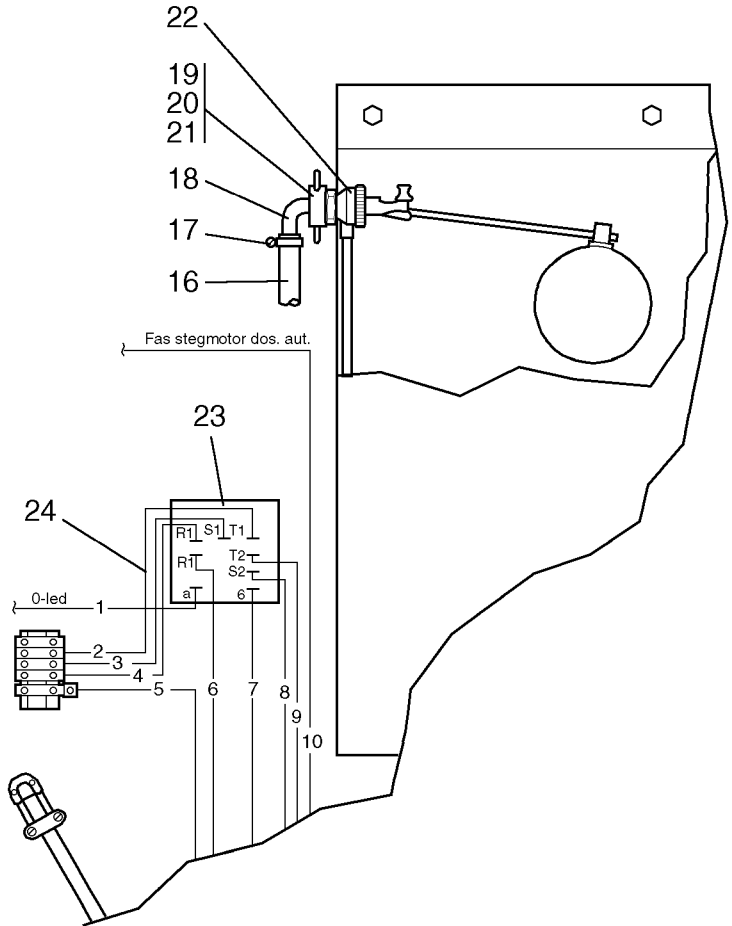
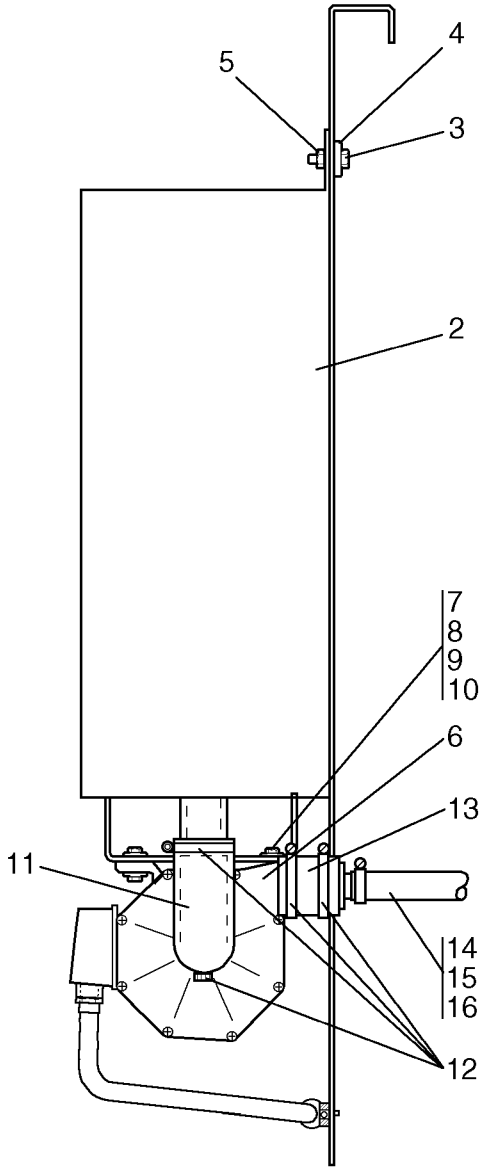
Sound and heat insulating

Isolation sonore et thermique

| | | | |
|---------------|----------|----------|-------------|
| Illustration | Issue | Month | Year |
| Schéma | Issue | Month | Year |
| 100486 | 2 | 2 | 1992 |

| Item Article | Qua Qua | Art.No Réf. article | Description | Description | Info Info | Notes Remarques |
|-----------------|------------|------------------------|--------------------|-------------------------|--------------|--------------------|
| | | 988 8015-01 | Insulation | Isolation | | |
| 1 | 4 | 472 6385-01 | Shock absorber mat | Tapis amortisseur chocs | 3 | L=1450 B=90 |
| 2 | 4 | 472 6385-02 | Shock absorber mat | Tapis amortisseur chocs | 3 | L=1450 B=120 |
| 3 | 2 | 472 6385-03 | Shock absorber mat | Tapis amortisseur chocs | 3 | L=1450 B=140 |
| 4 | 1 | 472 6385-04 | Shock absorber mat | Tapis amortisseur chocs | 3 | L=1080 B=490 |
| 5 | 3 | 472 6385-05 | Shock absorber mat | Tapis amortisseur chocs | 3 | L=1200 B=395 |
| 6 | 2 | 472 6385-06 | Shock absorber mat | Tapis amortisseur chocs | 3 | L=1200 B=405 |
| 7 | 6 | 472 6385-07 | Shock absorber mat | Tapis amortisseur chocs | 3 | L=1400 B=590 |

1



EX-200,EX-200 HI-TEK

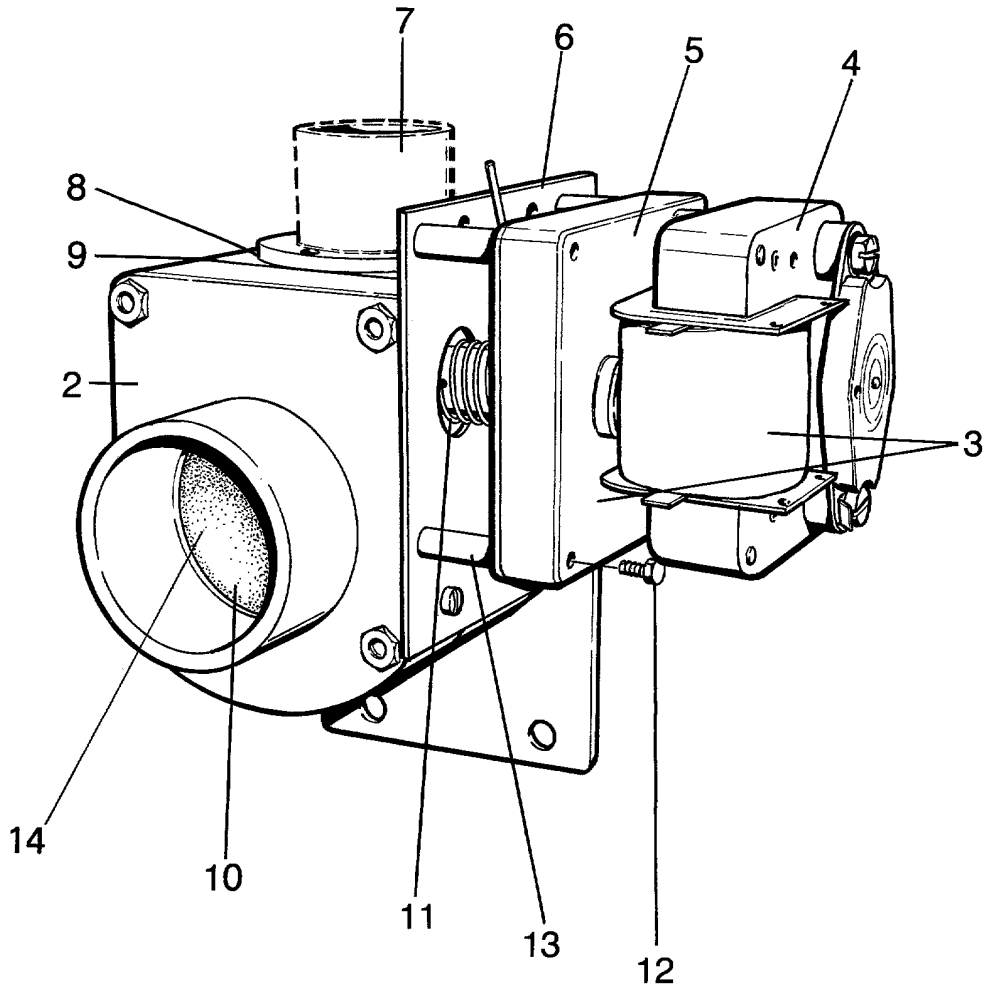
Pressure amplifier

Pompe refulante auxiliaire

Illustration Issue Month Year
Schéma Issue Month Year
100363 5 2 1993

| Item Article | Qua Qua | Art.No Réf. article | Description | Description | Info Info | Notes Remarques |
|-----------------|------------|------------------------|-------------------------|-------------------|--------------|------------------------------------|
| 1 | 1 | 471 1612-01 | Auxiliary pressure pump | Pompe refoulement | 3 | Complete |
| 2 | 1 | 471 4018-00 | •Container | •Conteneur | 3 | |
| 3 | 3 | 725 2451-51 | •Screw | •Vis | 3 | M8X20 |
| 4 | 3 | 471 9019-34 | •Washer | •Rondelle | 3 | TBR5B 8,4X26 |
| 5 | 3 | 732 2118-01 | •Locking nut | •Contre-écrou | 3 | M8 |
| 6 | 1 | 471 9223-03 | •Pump | •Pompe | 1,2 | 380-415V, 50Hz See group US8610 |
| 7 | 4 | 725 2372-51 | •Screw | •Vis | 3 | M6X25 |
| 8 | 8 | 471 9018-51 | •Washer | •Rondelle | 3 | |
| 9 | 4 | 734 1153-01 | •Washer | •Rondelle | 3 | BRB 6,4X12 |
| 10 | 4 | 732 2116-01 | •Locking nut | •Contre-écrou | 3 | M6 |
| 11 | 1 | 471 2260-05 | •Hose | •Flexible | 1 | |
| 12 | 4 | 736 2837-51 | •Hose clamp | •Attache flexible | 3 | Ø48-54 56 |
| 13 | 1 | 471 2464-17 | •Hose | •Flexible | 3 | |
| 14 | 1 | 471 4012-01 | •Manifold | •Collecteur | 3 | FLE403 |
| 15 | 1 | 471 4012-02 | •Manifold | •Collecteur | 3 | FLE804 |
| 16 | 1 | 471 8116-09 | •Hose | •Flexible | 3 | L=2900 |
| 17 | 2 | 471 9228-69 | •Hose clamp | •Attache flexible | 3 | 13-24 |
| 18 | 1 | 471 9009-38 | •Hose sleeve | •Manchon | 3 | 15 |
| 19 | 1 | 471 9010-73 | •Nut | •Écrou | 3 | DN15 |
| 20 | 1 | 471 2261-49 | •Gasket | •Joint | 1 | |
| 21 | 1 | 741 4114-20 | •Bushing | •Douille | 3 | R 3/4"/1/2" |
| 22 | 1 | 471 8247-01 | •Valve | •Soupape | 1 | |
| 23 | 1 | 438 9636-03 | •Contactor | •Relais | 1,2 | 60Hz, K3-10 |
| 24 | 1 | 471 4641-76 | •Cable set | •Jeu de câbles | 3 | |

1



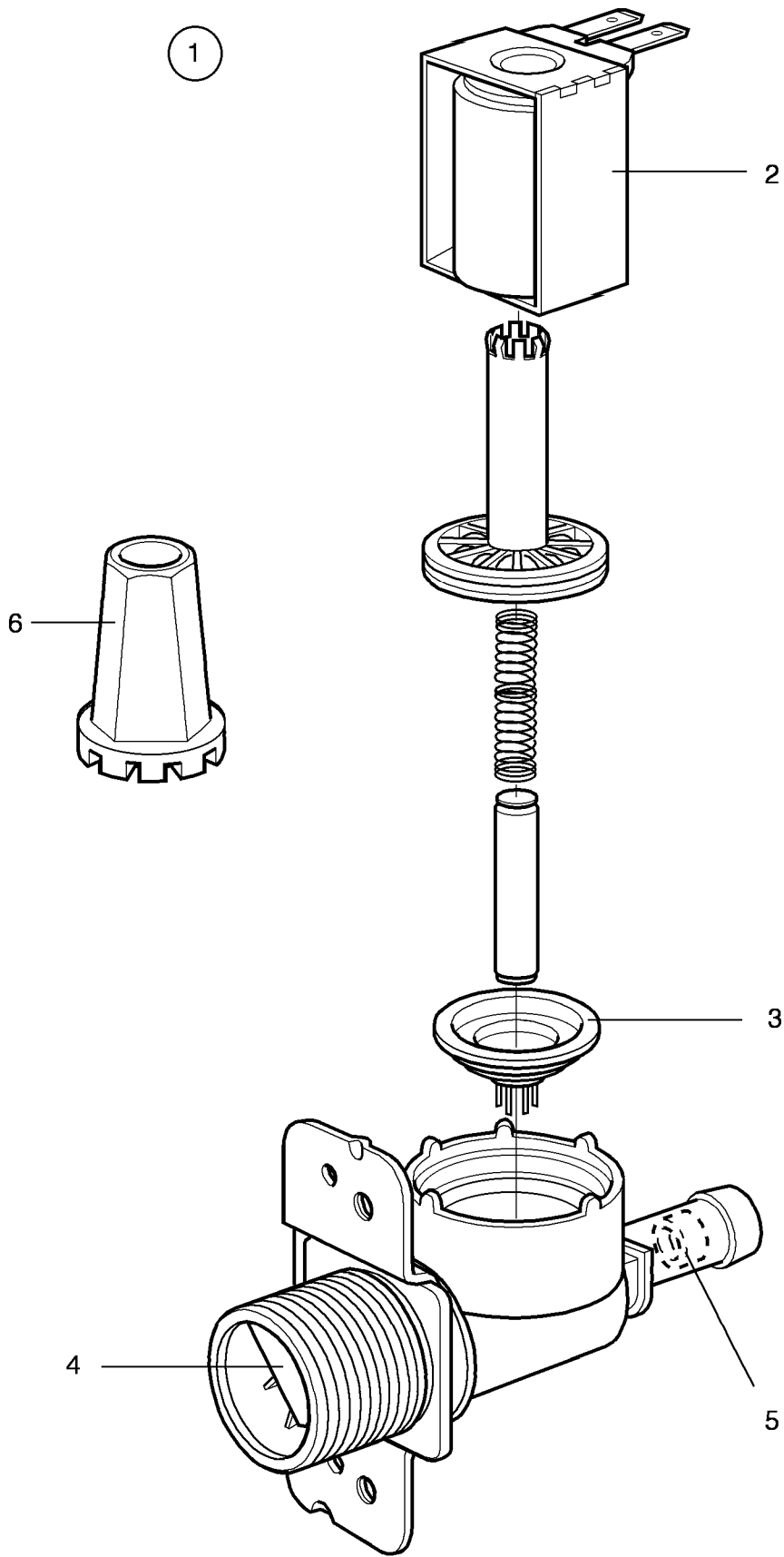
EX-200,EX-200 HI-TEK

Drain valve

Purgeur

Illustration Issue Month Year
Schéma Issue Month Year
100563 3 10 1990

| Item Article | Qua Qua | Art.No Réf. article | Description | Description | Info Info | Notes Remarques |
|-----------------|------------|------------------------|-----------------|------------------------|--------------|--|
| 1 | 1 | 471 9219-63 | Drain valve | Purgeur | 1 | 70,185-242V 50/60Hz El.heated, 185-242V |
| 2 | 1 | 471 6753-59 | •Valve housing | •Compartiment soupapes | 1 | 70 |
| 3 | 1 | 471 6753-58 | •Motor | •Moteur | 1 | 50/60Hz With gear |
| 4 | 1 | 471 6654-20 | ••Motor | ••Moteur | 1 | |
| 5 | 1 | 471 6654-22 | ••Gear | ••Engrenage | 1 | |
| 6 | 1 | 471 6654-14 | •Mounting plate | •Plaque de montage | 3 | |
| 7 | 1 | 471 6654-13 | •Muff | •Tubulure | 3 | 70 |
| 8 | 1 | 471 6653-02 | •Gasket | •Joint | 3 | 70 |
| 9 | 1 | 471 6653-01 | •Gasket | •Joint | 1 | |
| 10 | 1 | 471 6653-03 | •Cover | •Couvercle | 1 | With plate |
| 11 | 1 | 471 6654-28 | •Spring | •Ressort | 1 | |
| 12 | 4 | 471 6654-16 | •Screw | •Vis | 3 | |
| 13 | 4 | 471 6654-15 | •Spacer | •Entretoise | 3 | |
| 14 | 1 | 471 6675-23 | Spring | Ressort | 1 | |



EX-200,EX-200 HI-TEK

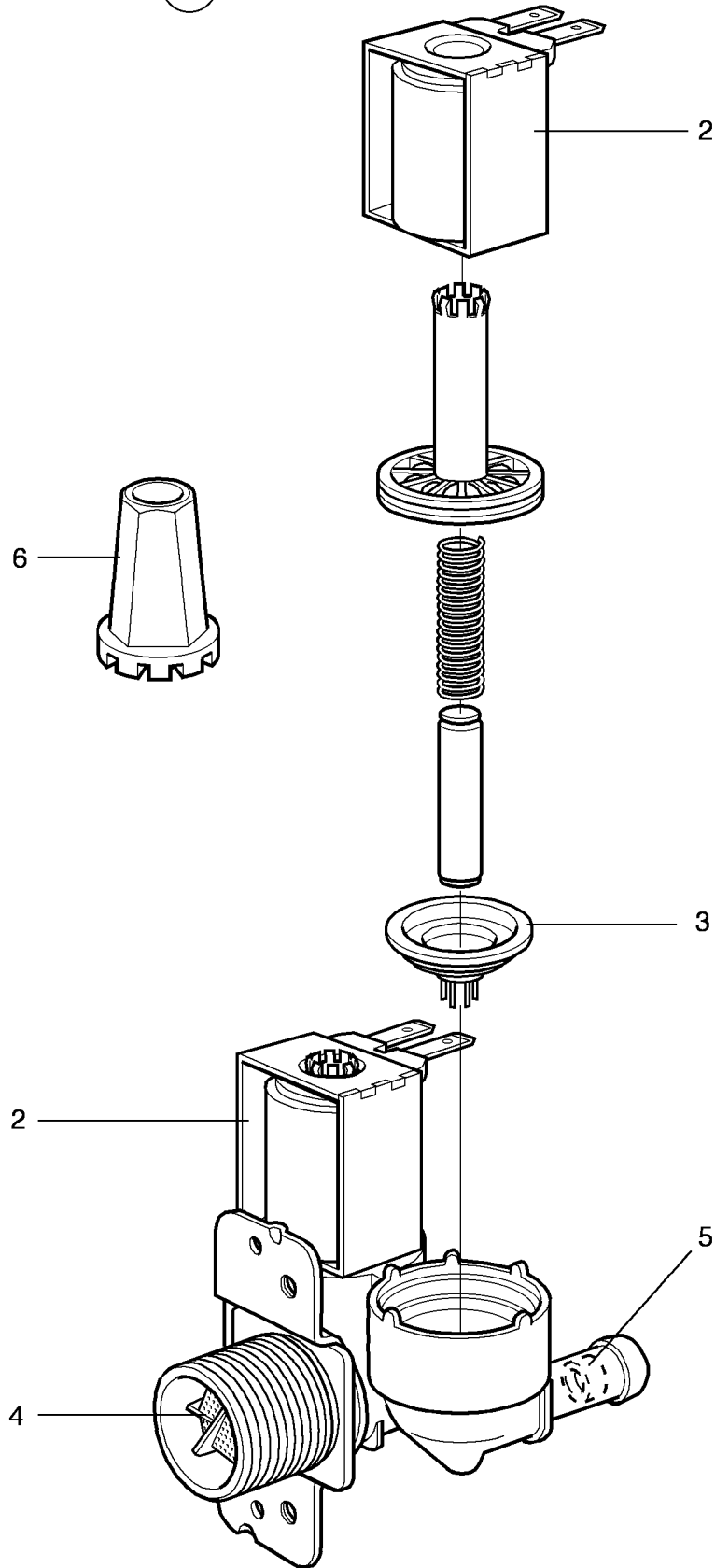
Inlet valve 3/4", single

Soupape de admission 3/4", simple

Illustration Issue Month Year
Schéma Issue Month Year
100044 3 8 1991

| Item Article | Qua Qua | Art.No Réf. article | Description | Description | Info Info | Notes Remarques |
|-----------------|------------|------------------------|-------------|---------------------|--------------|--|
| 1 | 1 | 471 8234-01 | Valve | Soupape | 1,2 | 208-240V 50Hz 1-way NITRIL COMPL. Restriction 5,5l/min |
| | 1 | 471 8234-04 | Valve | Soupape | 1,2 | 208-240V 60Hz 1-way NITRIL COMPL. Restriction 5,5l/min |
| | 1 | 471 8234-02 | Valve | Soupape | 1,2 | 50Hz 1-way NITRIL COMPL. RESTRICTION 20L/MIN |
| | 1 | 471 8234-05 | Valve | Soupape | 1,2 | 60Hz 1-way NITRIL COMPL. RESTRICTION 20L/MIN |
| | 1 | 471 8234-08 | Valve | Soupape | 1,2 | EDPM 208-240V 60Hz Complete RESTRICTION 2,5L/MIN |
| | 1 | 471 8234-09 | Valve | Soupape | 1,2 | EPDM 208-240V 60Hz 1-way RESTRICTION 2,5L/MIN |
| 2 | 1 | 471 6696-37 | •Coil | •Bobine | 1,2 | 208-240V 50Hz |
| | 1 | 471 6696-33 | •Coil | •Bobine | 1,2 | 208-240V 60Hz |
| 3 | 1 | 471 8234-98 | •Diaphragm | •Diaphragme | 1,2 | NITRIL |
| | 1 | 471 8234-92 | •Diaphragm | •Diaphragme | 1,2 | EPDM |
| 4 | 1 | 471 8234-94 | •Filter | •Filtre | 1 | |
| 5 | 1 | 471 8234-95 | •Restrictor | •Réducteur de débit | 1 | 2,5l/min |
| | 1 | 471 8234-96 | •Restrictor | •Réducteur de débit | 1 | 5,5l/min |
| 6 | 1 | 471 4792-01 | Tool | Outil | 1 | |

1



100045

| | | |
|-------|-------|------|
| Issue | Month | Year |
| 03 | 06 | 90 |

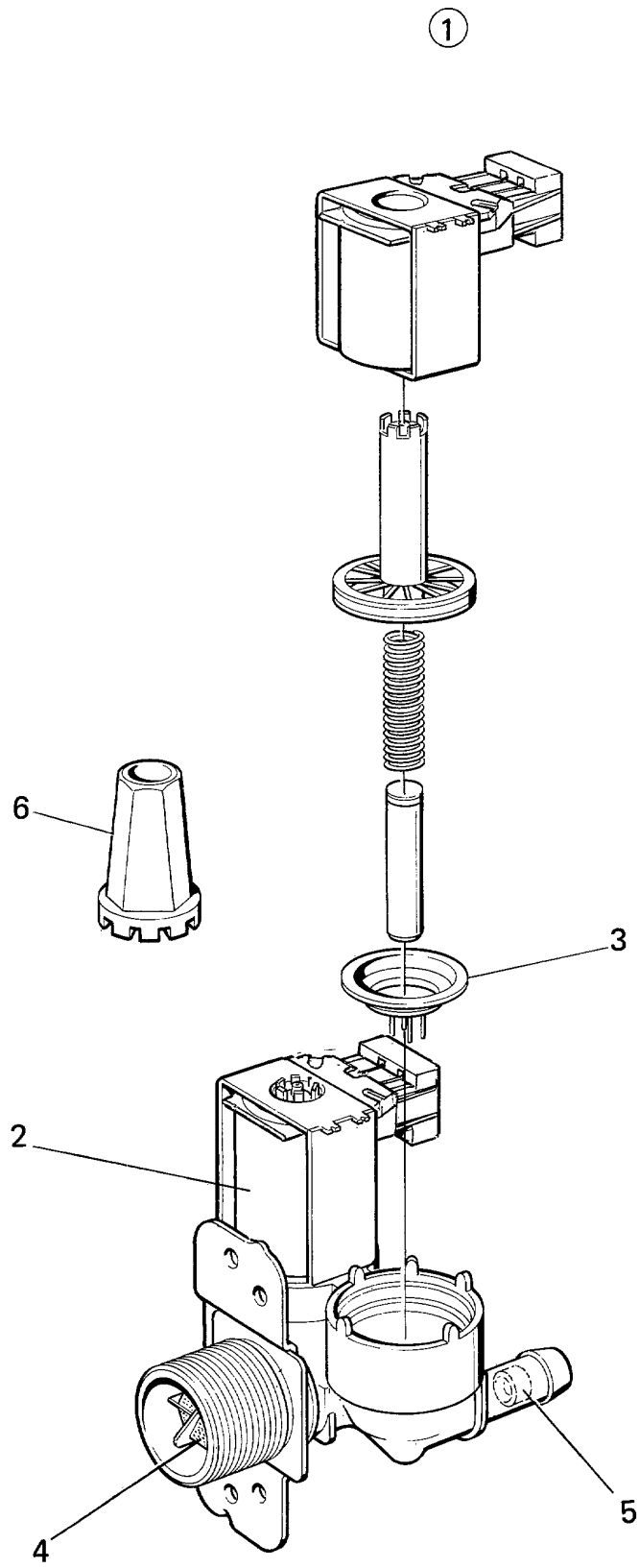
EX-200,EX-200 HI-TEK

Inlet valve 3/4", 2-way

Soupape de admission 3/4", 2 voies

Illustration Issue Month Year
Schéma Issue Month Year
100045 3 8 1991

| Item Article | Qua Qua | Art.No Réf. article | Description | Description | Info Info | Notes Remarques |
|-----------------|--------------------|------------------------|-------------|---------------------|---|---|
| 1 | 1 | 471 8235-01 | Valve | Soupape | 1,2 | NITRIL COMPL. RESTRICTION 20/20L/MIN |
| | 1 | 471 8235-09 | Valve | Soupape | 1,2 | 208-240V 60Hz 2-way NITRIL COMPL. RESTRICTION 20/20L/MIN |
| | 1 | 471 8235-02 | Valve | Soupape | 1,2 | 208-240V 50Hz 2-way NITRIL COMPL. RESTRICTION 5,5/20L/MIN |
| | 1 | 471 8235-02 | Valve | Soupape | 1,2 | 208-240V 50Hz 2-way NITRIL COMPL. RESTRICTION 5,5/20L/MIN |
| | 1 | 471 8235-03 | Valve | Soupape | 1,2 | 208-240V 50Hz NITRIL COMPL. RESTRICTION 20/2,5L/MIN |
| | 1 | 471 8235-12 | Valve | Soupape | 1,2 | 208-240V 60Hz NITRIL COMPL. RESTRICTION 20/2,5L/MIN |
| | 1 | 471 8235-11 | Valve | Soupape | 1,2 | EPDM 208-240V 50Hz 2-way Complete RESTRICTION 20/20L/MIN |
| | 1 | 471 8235-04 | Valve | Soupape | 1,2 | EPDM 208-240V 60Hz 2-way USA COMPL. RESTRICTION 20/20L/MIN |
| | 1 | 471 8235-05 | Valve | Soupape | 1,2 | EPDM 208-240V 60Hz 2-way USA COMPL. RESTRICTION 5,5/20L/MIN |
| | 1 | 471 8235-06 | Valve | Soupape | 1,2 | EPDM 120V 60Hz Complete RESTRICTION 5,5/20L/MIN |
| | 1 | 471 8235-07 | Valve | Soupape | 1,2 | 2-WAY, 120V 60Hz USA COMPL. RESTRICTION 20/20L/MIN |
| | 1 | 471 8235-15 | Valve | Soupape | 1,2 | NITRIL 120V 60Hz 2-way Complete RESTRICTION 20/20L/MIN |
| | 1 | 471 8235-14 | Valve | Soupape | 1,2 | NITRIL 120V 60Hz 2-way Complete RESTRICTION 5,5/20L/MIN |
| | 1 | 471 8235-08 | Valve | Soupape | 1,2 | 208-240V 50Hz NITRIL COMPL. RESTRICTION 5,5/20L/MIN |
| | 1 | 471 8235-13 | Valve | Soupape | 1,2 | 208-240V 60Hz 2-way NITRIL COMPL. RESTRICTION 5,5/10L/MIN |
| 1 | 471 8235-20 | Valve | Soupape | 1,2 | NITRIL 120V 50Hz 2-way Complete RESTRICTION 20/20L/MIN | |
| 1 | 471 8235-21 | Valve | Soupape | 1,2 | NITRIL 120V 50Hz 2-way Complete RESTRICTION 5,5/20L/MIN | |
| 2 | 2 | 471 6696-37 | •Coil | •Bobine | 1,2 | 208-240V 50Hz |
| | 2 | 471 6696-33 | •Coil | •Bobine | 1,2 | 208-240V 60Hz |
| | 2 | 471 6696-32 | •Coil | •Bobine | 1,2 | 120V 60Hz |
| 3 | 2 | 471 8234-98 | •Diaphragm | •Diaphragme | 1,2 | NITRIL |
| | 2 | 471 8234-92 | •Diaphragm | •Diaphragme | 1,2 | EPDM |
| 4 | 1 | 471 8234-94 | •Filter | •Filtre | 1 | |
| 5 | 1 | 471 8234-95 | •Restrictor | •Réducteur de débit | 1 | 2,5/min |
| | 1 | 471 8234-96 | •Restrictor | •Réducteur de débit | 1 | 5,5/min |
| | 1 | 471 8234-97 | •Restrictor | •Réducteur de débit | 1 | 10l/min |
| 6 | 1 | 471 4792-01 | Tool | Outil | 1 | |



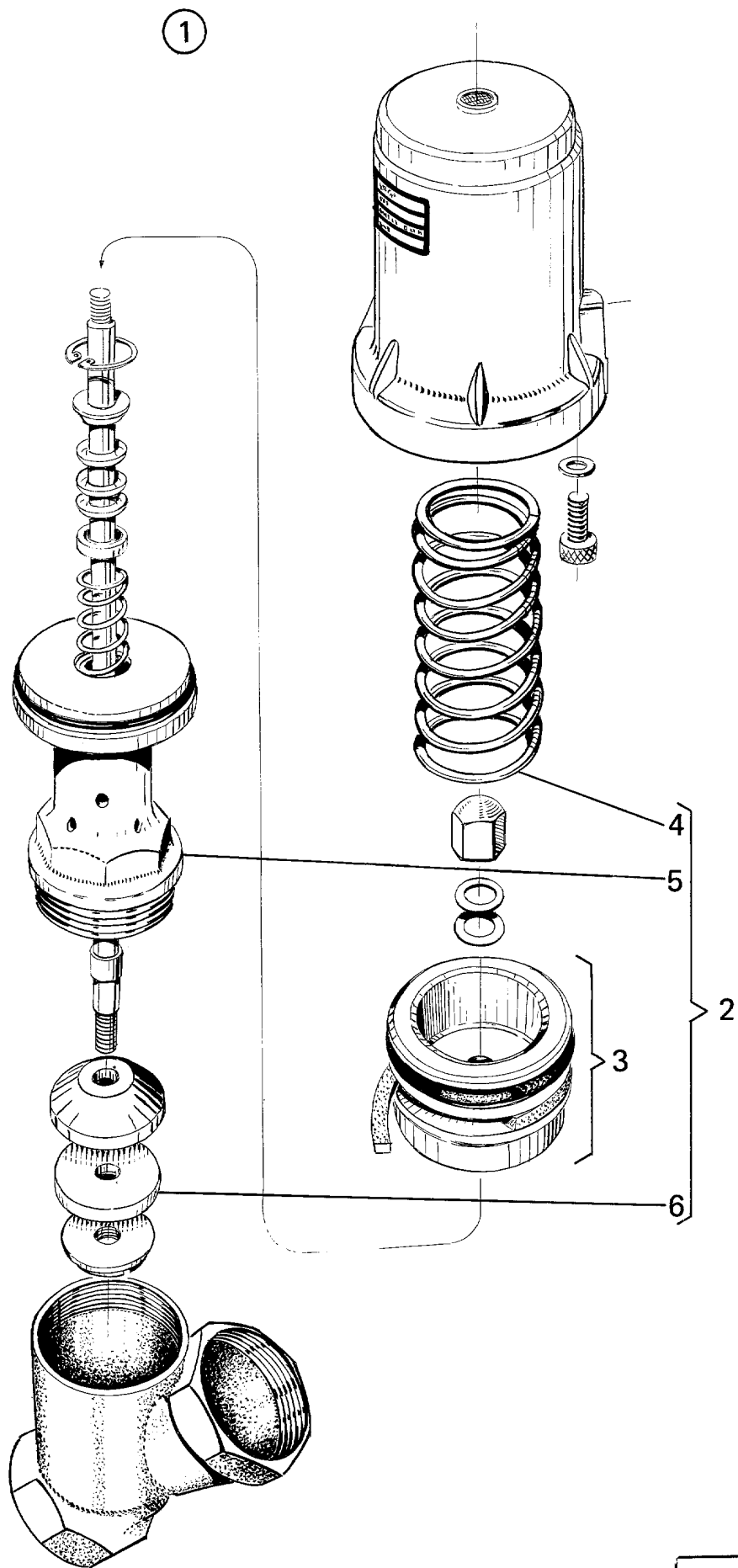
EX-200,EX-200 HI-TEK

Inlet valve 3/4", 2-way

Soupape de admission 3/4", 2 voies

Illustration Issue Month Year
Schéma Issue Month Year
100798/1 4 10 2002

| Item Article | Qua Qua | Art.No Réf. article | Description | Description | Info Info | Notes Remarques |
|-----------------|------------|------------------------|-------------|---------------------|--------------|---------------------|
| 1 | 1 | 471 8235-51 | Valve | Soupape | 1,2 | 208-240V |
| | 1 | 471 8235-54 | Valve | Soupape | 1,2 | 240V 60Hz 2-way USA |
| | 1 | 471 8235-57 | Valve | Soupape | 1,2 | 120V 60Hz 2-way USA |
| 2 | 1 | 471 6860-15 | •Coil | •Bobine | 1,2 | 120V Green |
| | 1 | 471 6860-16 | •Coil | •Bobine | 1,2 | 120V Orange |
| | 1 | 471 6860-17 | •Coil | •Bobine | 1,2 | 120V White |
| | 1 | 471 6860-18 | •Coil | •Bobine | 1,2 | Green |
| | 1 | 471 6860-19 | •Coil | •Bobine | 1,2 | Orange |
| | 1 | 471 6860-20 | •Coil | •Bobine | 1,2 | White |
| | 1 | 471 8234-98 | •Diaphragm | •Diaphragme | 1,2 | NITRIL |
| 3 | 1 | 471 8234-92 | •Diaphragm | •Diaphragme | 1,2 | EPDM |
| | 1 | 471 8234-94 | •Filter | •Filtre | 1 | |
| 4 | 1 | 471 8234-95 | •Restrictor | •Réducteur de débit | 3 | 2,5l/min |
| 5 | 1 | 471 8234-96 | •Restrictor | •Réducteur de débit | 3 | 5,5l/min |
| 6 | 1 | 471 4792-01 | Tool | Outil | 3 | |



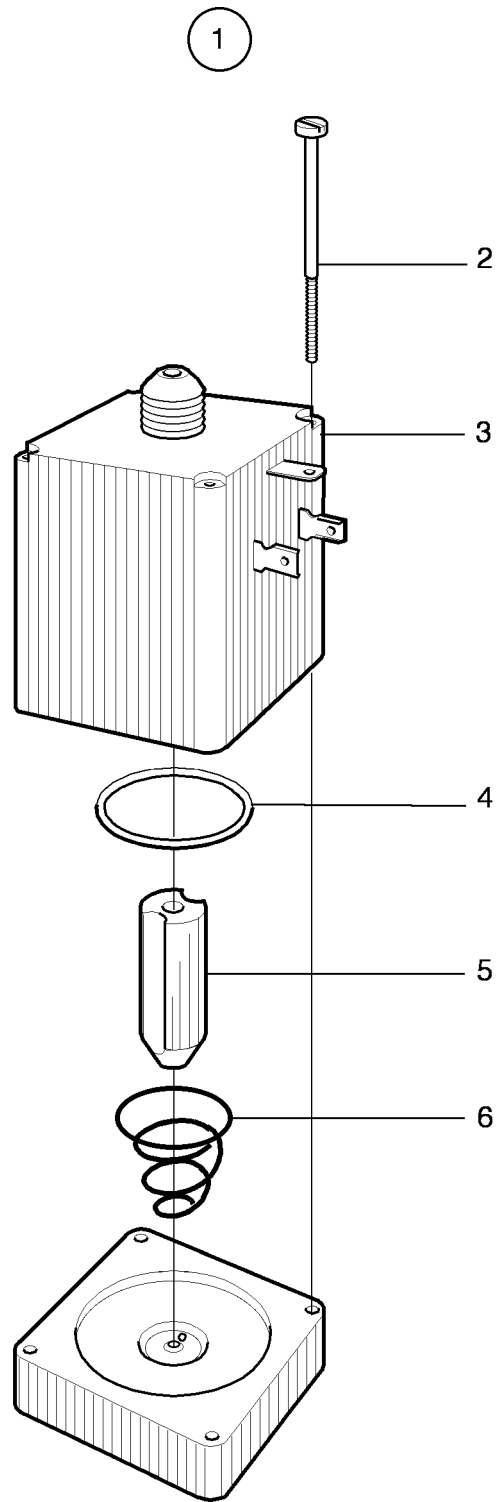
EX-200

Steam inlet valve

Soupape

Illustration Issue Month Year
Schéma Issue Month Year
100574 1 3 1990

| Item Article | Qua Qua | Art.No Réf. article | Description | Description | Info Info | Notes Remarques |
|-----------------|------------|------------------------|-------------|------------------------|--------------|--------------------|
| 1 | 1 | 471 9041-80 | Valve | Soupape | 1,2 | 50/60Hz Complete |
| 2 | 1 | 471 9062-05 | Valve | Soupape | 1,2 | Complete |
| 3 | 1 | 471 6903-83 | •Repair kit | •Kit reconditionnement | 1,2 | |
| 4 | 1 | | ••Piston | ••Piston | 3 | Complete |
| 5 | 1 | | ••Spring | ••Ressort | 3 | |
| 6 | 1 | | ••O-ring | ••Joint torique | 3 | |
| | | | ••Seal | ••Joint | 3 | |



100806

| | | |
|-------|-------|------|
| Issue | Month | Year |
| 02 | 11 | 00 |

EX-200

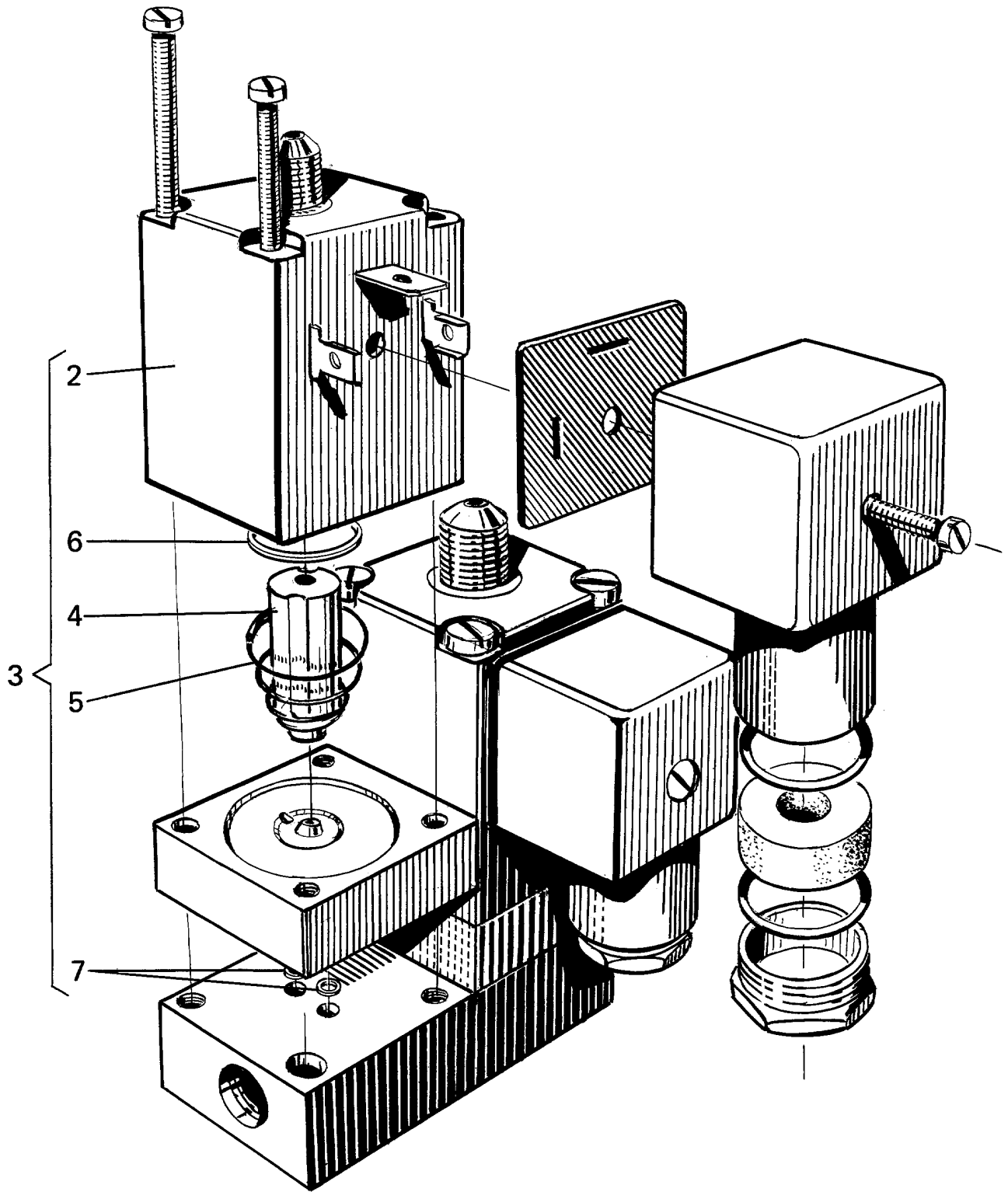
Control valve

Soupape

Illustration Issue Month Year
Schéma Issue Month Year
100806/2 1 3 1990

| Item Article | Qua Qua | Art.No Réf. article | Description | Description | Info Info | Notes Remarques |
|-----------------|------------|------------------------|----------------|------------------------|--------------|--------------------|
| 1 | 1 | 471 9202-32 | Solenoid valve | Électrovanne | 1,2 | 50Hz |
| | 1 | 471 9202-33 | Solenoid valve | Électrovanne | 1,2 | 60Hz |
| 2 | 4 | 471 6900-77 | •Screw | •Vis | 3 | |
| 3 | 1 | 471 6900-78 | •Coil | •Bobine | 1,2 | 50Hz |
| | 1 | 471 6900-79 | •Coil | •Bobine | 1,2 | 208-240V 60Hz |
| 4 | 1 | 471 6900-80 | •O-ring | •Joint torique | 1,2 | |
| 5 | 1 | 471 6900-82 | •Plunger | •Bobine mobile | 1 | |
| 6 | 1 | 471 6900-87 | •Valve housing | •Compartiment soupapes | 3 | |

①



| Issue | Month | Year |
|-------|-------|------|
| 01 | 10 | 88 |

EX-200

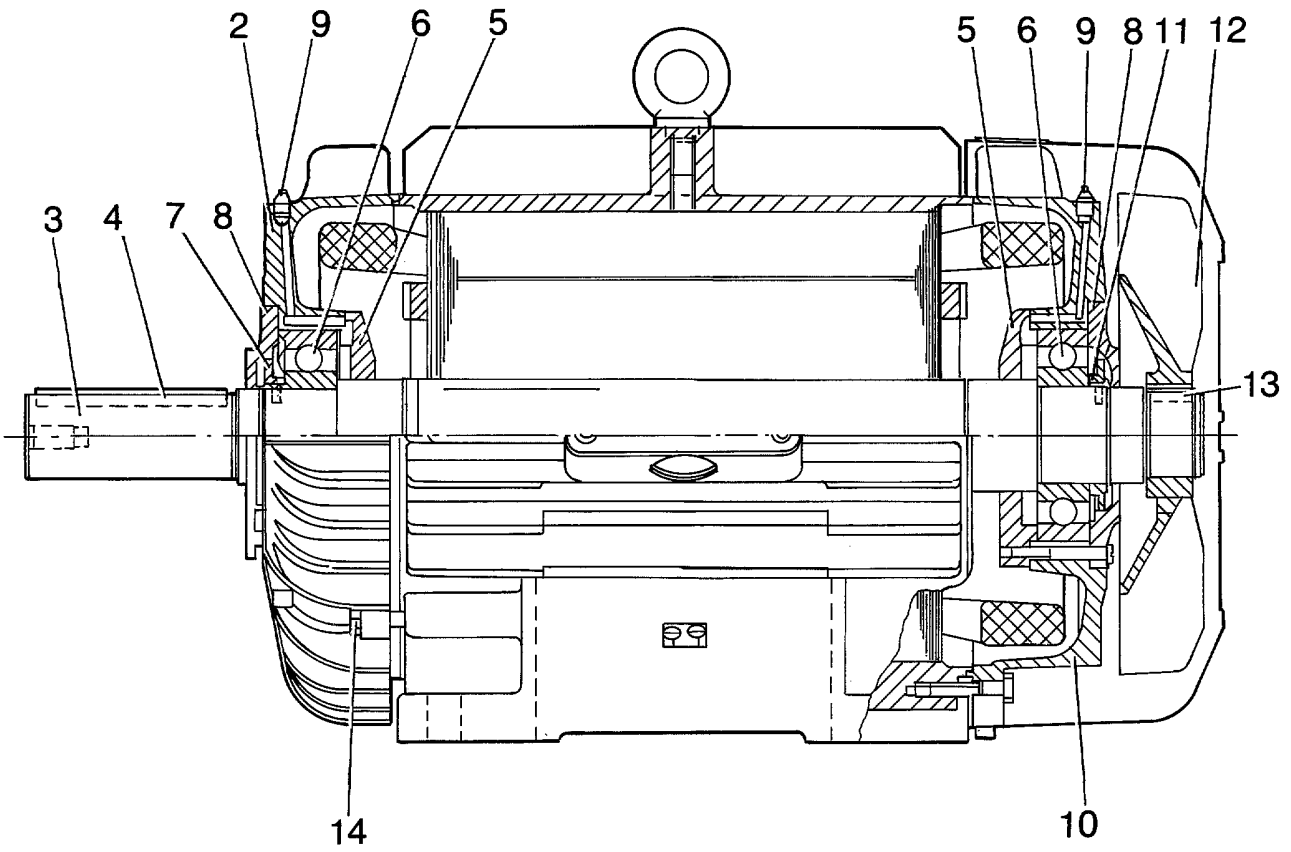
Solenoid valve

Electrovanne

Illustration Issue Month Year
Schéma Issue Month Year
100577 1 3 1990

| Item Article | Qua Qua | Art.No Réf. article | Description | Description | Info Info | Notes Remarques |
|-----------------|------------|------------------------|----------------|------------------------|--------------|--------------------|
| 1 | 1 | 471 9043-03 | Solenoid valve | Électrovanne | 1,2 | 220V 50Hz |
| | 1 | 471 9214-69 | Solenoid valve | Électrovanne | 1,2 | 220V 60Hz |
| | 1 | 471 9043-04 | Solenoid valve | Électrovanne | 1,2 | 50Hz |
| | 1 | 471 9067-46 | Solenoid valve | Électrovanne | 1,2 | 60Hz |
| | 1 | 471 9042-46 | Solenoid valve | Électrovanne | 1,2 | 220V 50Hz |
| | 1 | 471 9214-74 | Solenoid valve | Électrovanne | 1,2 | 220V 60Hz |
| 2 | 1 | 471 6903-80 | •Coil | •Bobine | 1,2 | 50Hz |
| | 1 | 471 6903-81 | •Coil | •Bobine | 1,2 | 60Hz |
| 3 | 1 | 471 6903-82 | •Repair kit | •Kit reconditionnement | 1,2 | |
| 4 | 1 | | ••Plunger | ••Bobine mobile | 3 | |
| 5 | 1 | | ••Spring | ••Ressort | 3 | |
| 6 | 1 | | ••O-ring | ••Joint torique | 3 | |
| 7 | 1 | | ••O-ring | ••Joint torique | 3 | |

1



EX-200

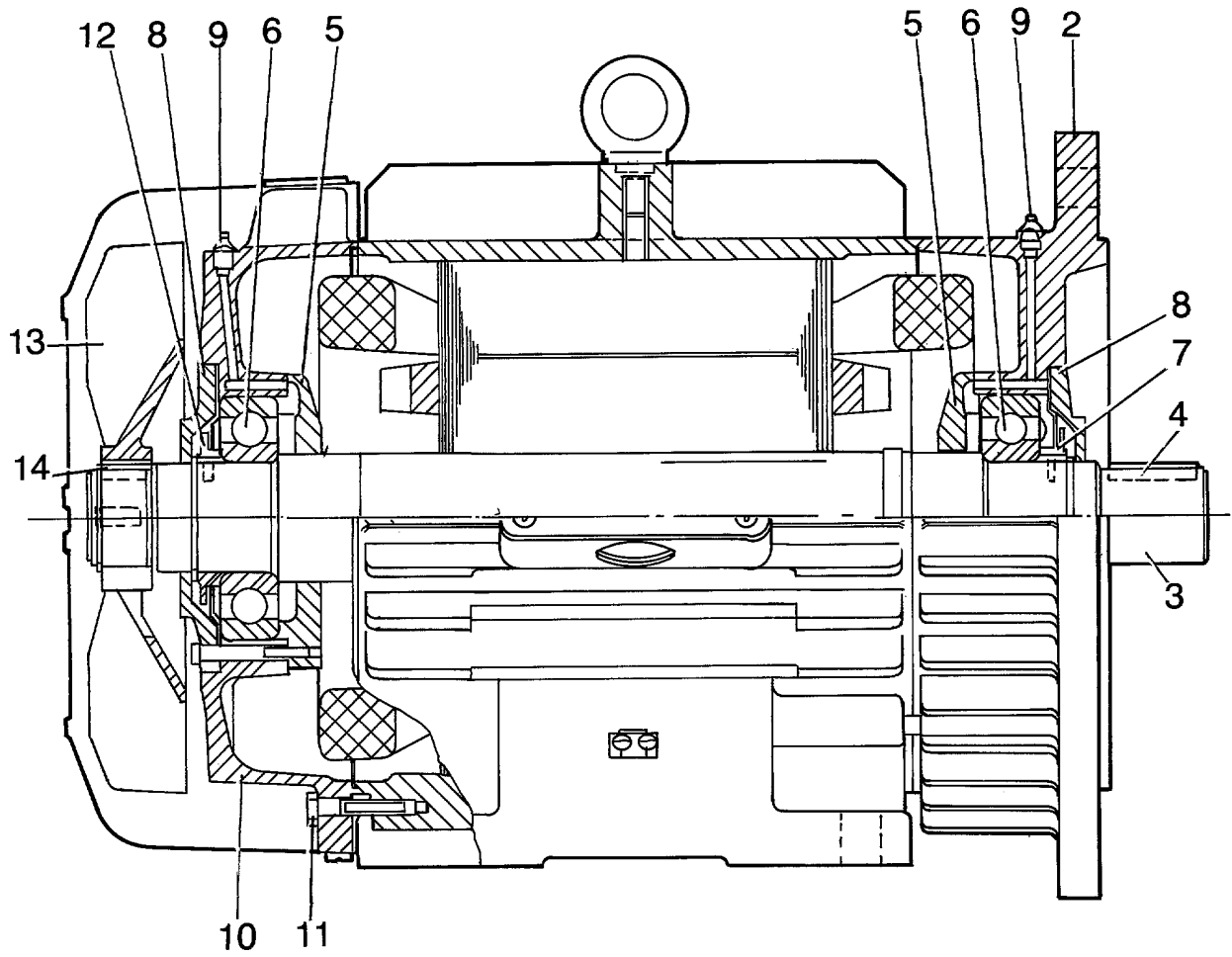
Wash motor

Moteur de lavage

Illustration Issue Month Year
Schéma Issue Month Year
100590 3 9 1991

| Item Article | Qua Qua | Art.No Réf. article | Description | Description | Info Info | Notes Remarques |
|-----------------|------------|------------------------|------------------|-----------------------|--------------|--------------------|
| 1 | 1 | 471 9228-37 | Motor | Moteur | 1 | 220V 3~50Hz |
| | 1 | 471 9223-93 | Motor | Moteur | 1 | 380-415V 3N~50Hz |
| | 1 | 471 9228-38 | Motor | Moteur | 1 | 208-240V 3AC 60Hz |
| | 1 | 471 9737-01 | Motor | Moteur | 1 | 380V 60Hz, |
| 2 | 1 | 471 6684-49 | •Plastic bushing | •Douille en plastique | 3 | |
| 3 | 1 | 471 6684-85 | •Shaft | •Arbre | 3 | |
| 4 | 1 | 471 6684-86 | •Wedge | •Poulie courroie V | 3 | |
| 5 | 2 | 471 6684-84 | •Bearing cover | •Chapeau de palier | 3 | |
| 6 | 2 | 738 2310-30 | •Ball bearing | •Roulement à billes | 1 | |
| 7 | 1 | 471 6684-82 | •Ring | •Anneau | 3 | |
| 8 | 2 | 471 6684-83 | •Bearing cover | •Chapeau de palier | 3 | |
| 9 | 2 | 738 8820-01 | •Nipple | •Raccord | 3 | |
| 10 | 1 | 471 6684-80 | •End shield | •Flasque du moteur | 3 | |
| 11 | 1 | 471 6684-81 | •Ring | •Anneau | 3 | |
| 12 | 1 | 471 6684-88 | •Fan | •Ventilateur | 1 | |
| 13 | 1 | 471 6684-87 | •Wedge | •Poulie courroie V | 1 | |
| 14 | 4 | 725 2499-51 | •Screw | •Vis | 3 | M8X40 |

1



EX-200

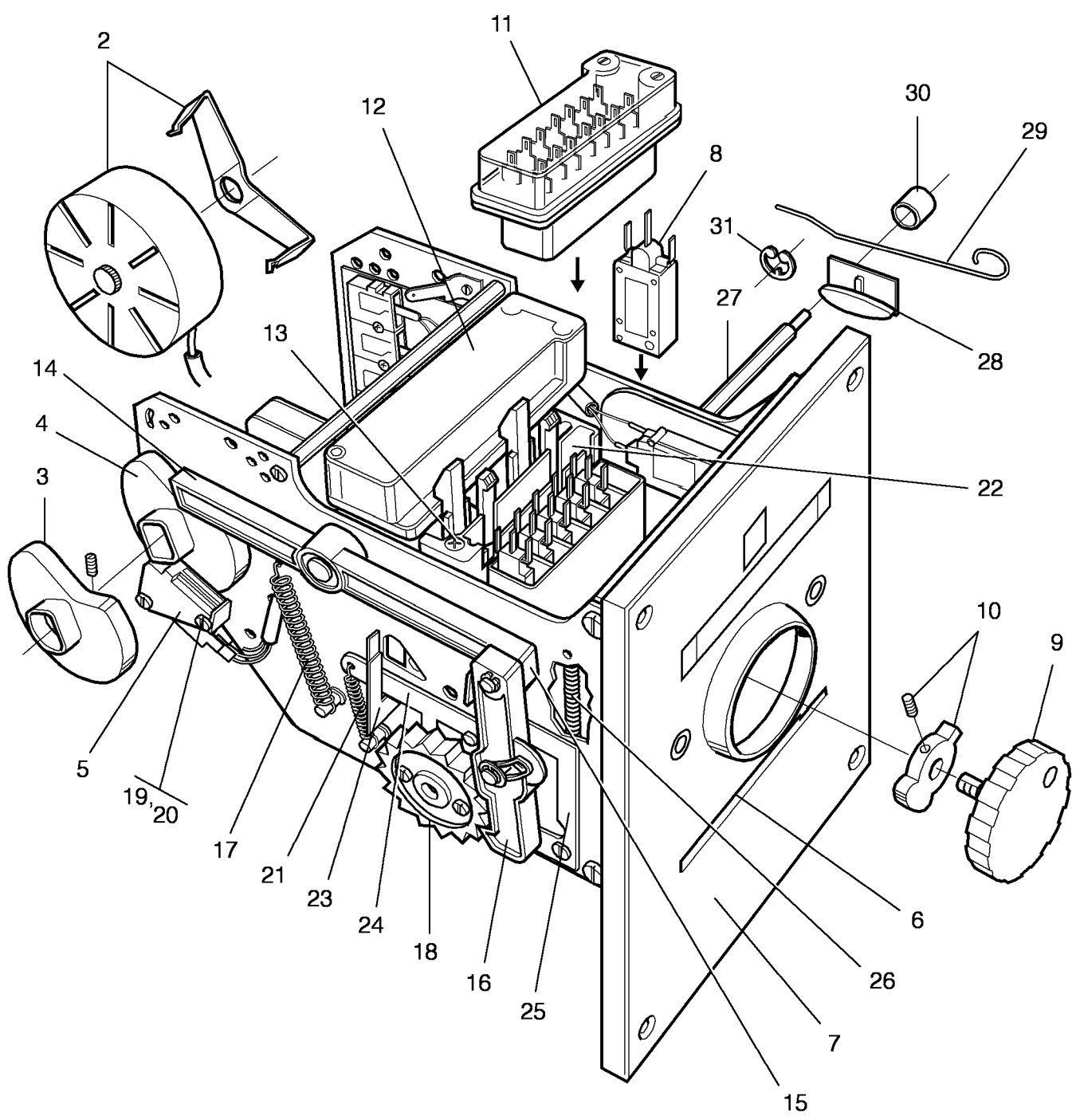
Centrifugal motor

Moteur

Illustration Issue Month Year
Schéma Issue Month Year
100591 2 4 1990

| Item Article | Qua Qua | Art.No Réf. article | Description | Description | Info Info | Notes Remarques |
|-----------------|------------|------------------------|----------------|---------------------|--------------|--------------------|
| 1 | 1 | 471 9228-39 | Motor | Moteur | 1 | 220V 3~50Hz |
| | 1 | 471 9223-94 | Motor | Moteur | 1 | 380-415V 3N~50Hz |
| | 1 | 471 9228-40 | Motor | Moteur | 1 | 208-240V 3AC 60Hz |
| | 1 | 471 9737-02 | Motor | Moteur | 1 | 380V 60Hz, |
| 2 | 1 | 471 6684-89 | •End shield | •Flasque du moteur | 3 | |
| 3 | 1 | 471 6684-90 | •Shaft | •Arbre | 3 | |
| 4 | 1 | 471 6684-91 | •Wedge | •Poulie courroie V | 3 | |
| 5 | 2 | 471 6684-84 | •Bearing cover | •Chapeau de palier | 3 | |
| 6 | 2 | 738 2310-30 | •Ball bearing | •Roulement à billes | 1 | |
| 7 | 1 | 471 6684-82 | •Ring | •Anneau | 3 | |
| 8 | 2 | 471 6684-83 | •Bearing cover | •Chapeau de palier | 3 | |
| 9 | 2 | 738 8820-64 | •Nipple | •Raccord | 3 | |
| 10 | 1 | 471 6684-80 | •End shield | •Flasque du moteur | 3 | |
| 11 | 4 | 725 2459-51 | •Screw | •Vis | 3 | M8X40 |
| 12 | 1 | 471 6684-81 | •Ring | •Anneau | 3 | |
| 13 | 1 | 471 6684-88 | •Fan | •Ventilateur | 3 | |
| 14 | 1 | 471 6684-87 | •Wedge | •Poulie courroie V | 3 | |

1



100605

| Issue | Month | Year |
|-------|-------|------|
| 01 | 10 | 88 |

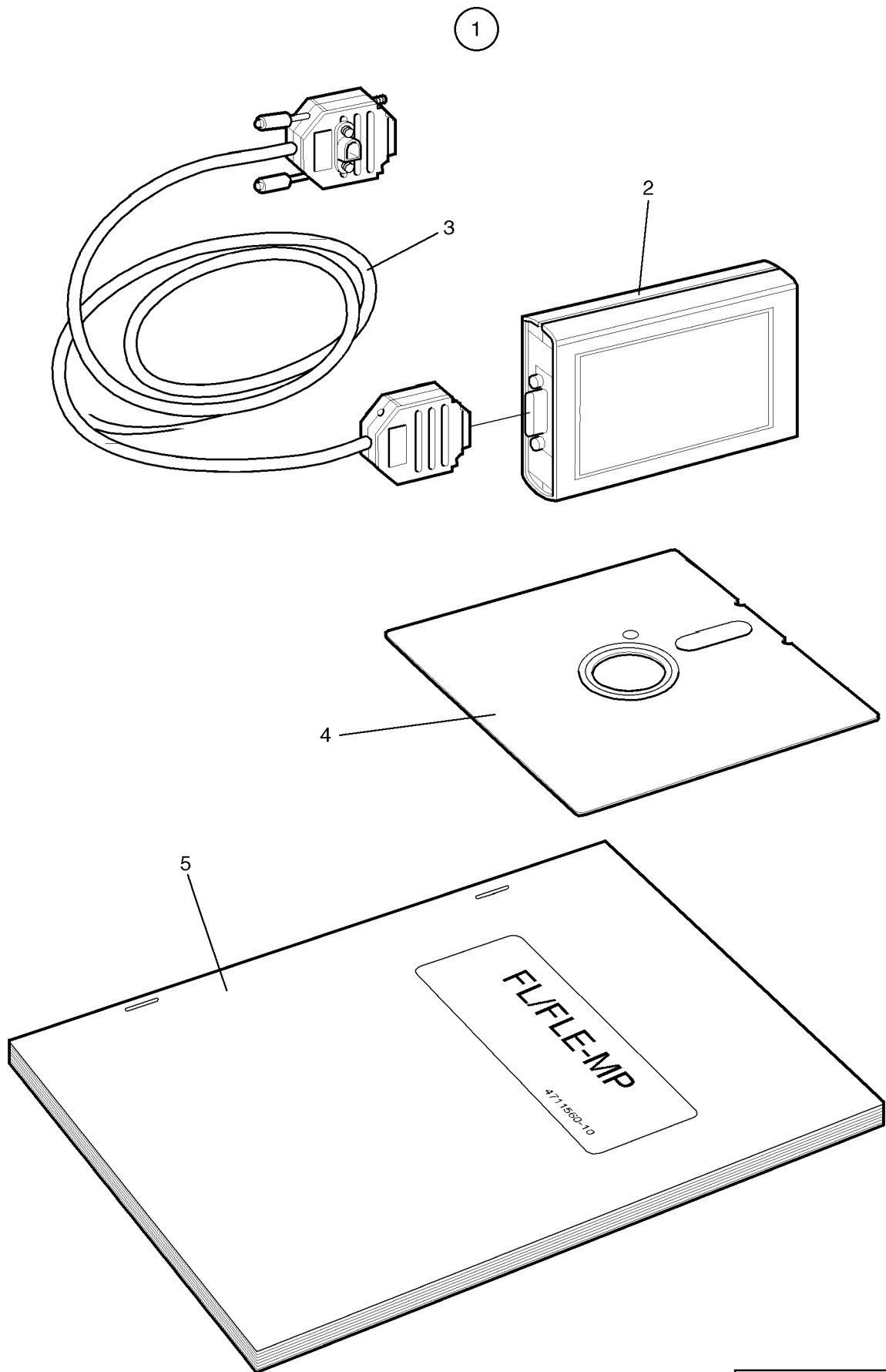
EX-200,EX-200 HI-TEK

Card programmer

Programmateur cartes

Illustration Issue Month Year
Schéma Issue Month Year
100605/3 2 12 1989

| Item Article | Qua Qua | Art.No Réf. article | Description | Description | Info Info | Notes Remarques |
|-----------------|------------|------------------------|-----------------|----------------------|--------------|--------------------|
| | | | 12 Track | 12 Canaux | | |
| | | | 16 Track | 16 Canaux | | |
| 1 | 1 | 471 9207-07 | Card programmer | Programmateur cartes | 1,2 | 50Hz Complete |
| | 1 | 471 9207-08 | Card programmer | Programmateur cartes | 1,2 | 60Hz Complete |
| 2 | 1 | 471 6753-60 | •Motor | •Moteur | 1,2 | 50Hz With gear |
| | 1 | 471 6753-61 | •Motor | •Moteur | 1,2 | 60Hz With gear |
| 3 | 1 | 471 9044-86 | •Disc | •Disque | 1 | 60 SEC |
| 4 | 1 | 471 9044-83 | •Disc | •Disque | 1 | 30 SEC |
| 5 | 1 | 471 6527-30 | •Microswitch | •Microrupteur | 1,2 | |
| 6 | 1 | 471 9008-30 | •Program card | •Carte programme | 1,2 | 80 STEPS |
| | 1 | 471 9200-78 | •Program card | •Carte programme | 1,2 | 120 STEPS |
| 7 | 1 | 471 6753-79 | •Front panel | •Panneau avant | 1 | |
| 8 | 12 | 471 6527-12 | •Microswitch | •Microrupteur | 1,2 | |
| 9 | 1 | 471 6754-63 | •Knob | •Bouton | 1 | |
| 10 | 1 | 471 6754-64 | •Frame | •Châssis | 1 | WITH SCREW |
| 11 | 1 | 471 6527-10 | •Connector | •Connexion | 3 | FRONT |
| 12 | 1 | 471 6527-11 | •Connector | •Connexion | 3 | Rear |
| 13 | 2 | 471 9017-12 | •Screw | •Vis | 3 | |
| 14 | 1 | 471 6527-24 | •Arm | •Bras | 1 | |
| 15 | 1 | 471 6527-22 | •Washer | •Rondelle | 3 | |
| 16 | 1 | 471 6527-21 | •Arm | •Bras | 1 | |
| 17 | 1 | 471 6527-29 | •Spring | •Ressort | 1 | |
| 18 | 2 | 471 6527-26 | •Wheel | •Roue | 1 | |
| 19 | 2 | 471 6527-32 | •Screw | •Vis | 3 | |
| 20 | 2 | 471 9015-65 | •Nut | •Écrou | 3 | M3 |
| 21 | 1 | 471 6527-28 | •Spring | •Ressort | 1 | |
| 22 | 1 | 471 6901-54 | •Cover | •Couvercle | 3 | |
| 23 | 1 | 471 6527-38 | •Spring clips | •Brides de ressort | 3 | |
| 24 | 1 | 471 6257-35 | •Catch | •Attache | 3 | Complete |
| 25 | 1 | 471 6527-34 | •Arm | •Bras | 3 | |
| 26 | 1 | 471 6527-20 | •Spring | •Ressort | 1 | |
| 27 | 1 | 471 6654-00 | •Roller | •Galet | 3 | |
| 28 | 2 | 471 6653-30 | •Bearing cage | •Cage de palier | 3 | |
| 29 | 2 | 471 6653-31 | •Spring | •Ressort | 1 | |
| 30 | 2 | 471 6653-32 | •Bearing | •Coussinet | 3 | |
| | | | 12 Track | 12 Canaux | | |
| | | | 16 Track | 16 Canaux | | |
| 30 | 1 | 471 9043-90 | Test card | Carte d'essai | 3 | |
| | 1 | 471 8961-02 | Pliers | Pince | 1 | |
| | RQ | 471 6654-10 | Pin | Goupille | 1 | |
| 31 | 1 | 735 3110-21 | C-clamp | Presse à main | 3 | |



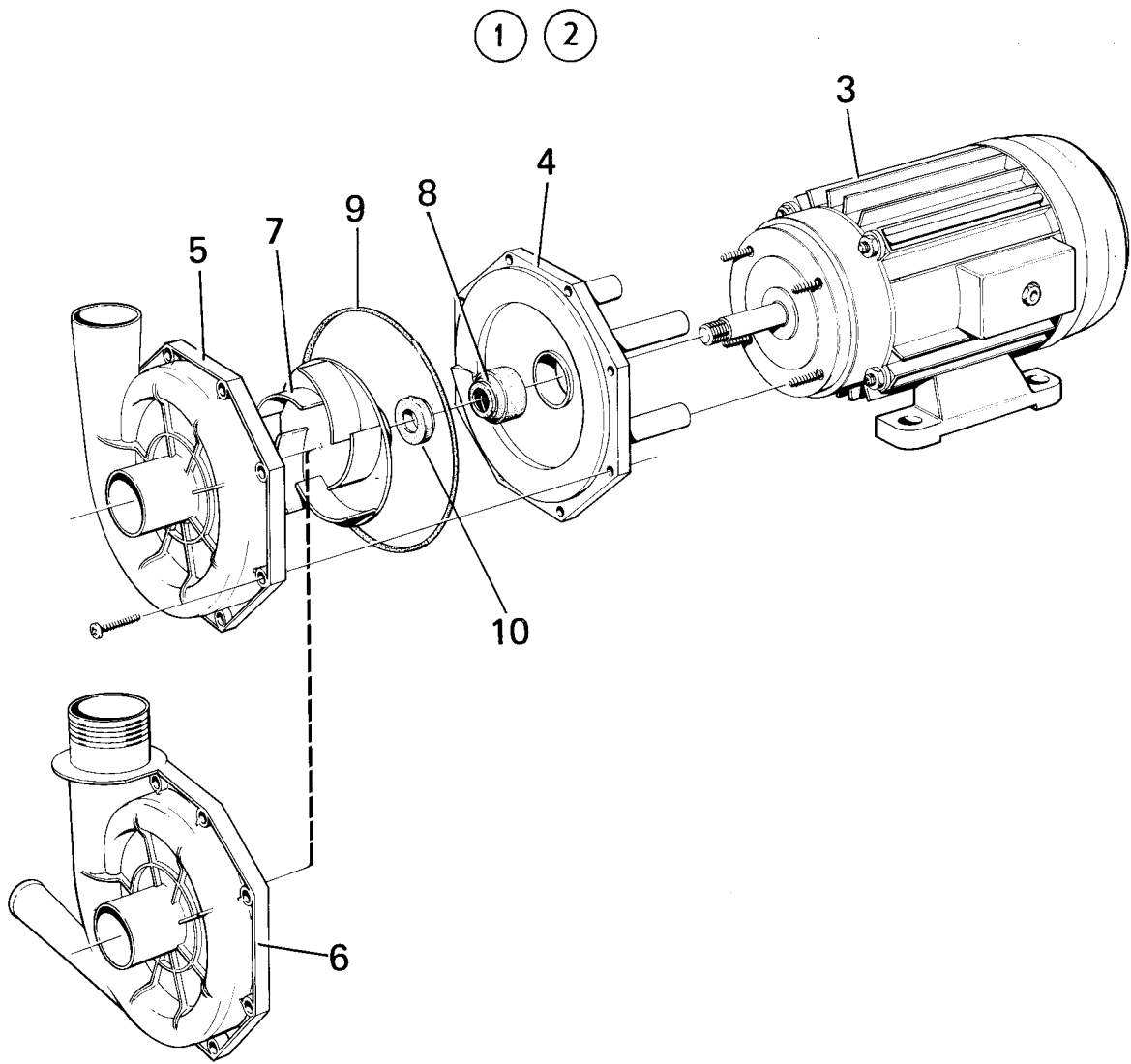
EX-200,EX-200 HI-TEK

Memory cartridge complete

Cassette de mémoire complet

Illustration Issue Month Year
Schéma Issue Month Year
100826 4 1 1992

| Item Article | Qua Qua | Art.No Réf. article | Description | Description | Info Info | Notes Remarques |
|-----------------|------------|------------------------|---------------------|-----------------------|--------------|--------------------|
| 1 | 1 | 472 9900-27 | Memory cartridge | Cassette de mémoire | 3 | Swedish |
| | 1 | 472 9900-28 | Memory cartridge | Cassette de mémoire | 3 | English |
| | 1 | 472 9900-29 | Memory cartridge | Cassette de mémoire | 3 | German |
| | 1 | 472 9900-30 | Memory cartridge | Cassette de mémoire | 3 | French |
| | 1 | 472 9900-31 | Memory cartridge | Cassette de mémoire | 3 | Norwegian |
| | 1 | 472 9900-52 | Memory cartridge | Cassette de mémoire | 3 | Danish |
| | 1 | 472 9900-53 | Memory cartridge | Cassette de mémoire | 3 | Spanish |
| | 1 | 472 9900-54 | Memory cartridge | Cassette de mémoire | 3 | Finnish |
| | 1 | 472 9900-76 | Memory cartridge | Cassette de mémoire | 3 | Dutch |
| | 2 | 1 | 471 8980-01 | •Cassette | •Cassette | 3 |
| 3 | 1 | 471 7468-01 | •Cable | •Câble | 3 | |
| 4 | 1 | 471 9533-02 | •Diskette | •Disquette | 3 | |
| 5 | 1 | 471 1560-10 | •Instruction manual | •Manuel d'utilisation | 3 | Swedish |
| | 1 | 471 1560-11 | •Instruction manual | •Manuel d'utilisation | 3 | English |
| | 1 | 471 1560-12 | •Instruction manual | •Manuel d'utilisation | 3 | German |
| | 1 | 471 1560-13 | •Instruction manual | •Manuel d'utilisation | 3 | French |
| | 1 | 471 1560-14 | •Instruction manual | •Manuel d'utilisation | 3 | Spanish |
| | 1 | 471 1560-15 | •Instruction manual | •Manuel d'utilisation | 3 | Danish |
| | 1 | 471 1560-16 | •Instruction manual | •Manuel d'utilisation | 3 | Finnish |
| | 1 | 471 1560-17 | •Instruction manual | •Manuel d'utilisation | 3 | Norwegian |
| | 1 | 471 1560-18 | •Instruction manual | •Manuel d'utilisation | 3 | Dutch |



100611

| Issue | Month | Year |
|-------|-------|------|
| 02 | 09 | 90 |

EX-200,EX-200 HI-TEK

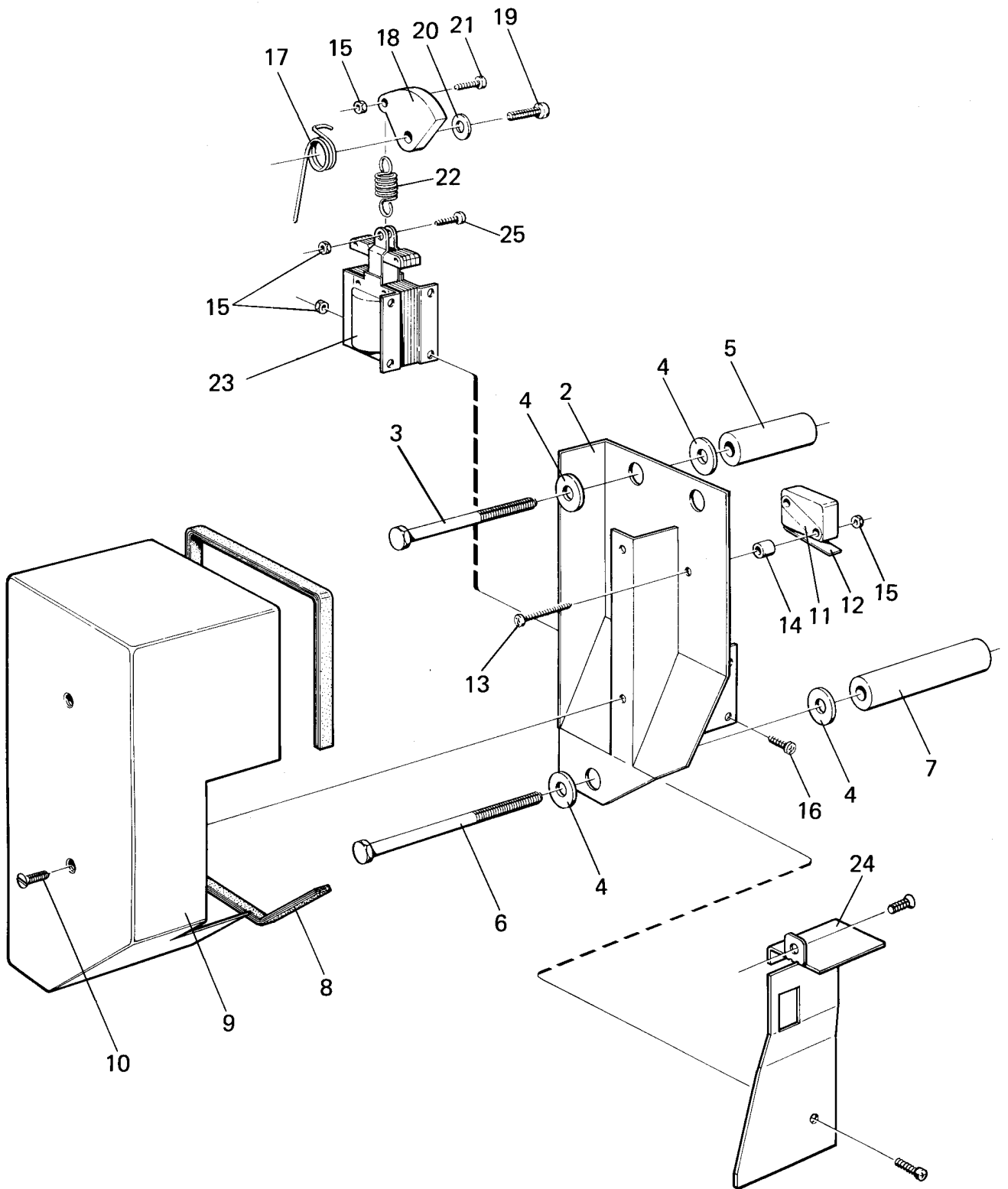
Pump

Pompe

Illustration Issue Month Year
Schéma Issue Month Year
100611 3 9 1990

| Item Article | Qua Qua | Art.No Réf. article | Description | Description | Info Info | Notes Remarques |
|-----------------|------------|------------------------|---------------|-------------------|--------------|-----------------------------------|
| 1 | 1 | 471 9223-03 | Pump | Pompe | 1,2 | 380-415V, 50Hz COMPL. 1-OUTLET |
| 3 | 1 | 471 9223-50 | Pump | Pompe | 1,2 | 60Hz COMPL. 1-OUTLET |
| | 1 | | •Motor | •Moteur | 1,2 | 380V 50Hz |
| | 1 | | •Motor | •Moteur | 1,2 | 380V 50Hz |
| 4 | 1 | 471 6600-12 | •Pump housing | •Boîtier de pompe | 1,2 | |
| 5 | 1 | 471 6600-13 | •Pump housing | •Boîtier de pompe | 1,2 | |
| 7 | 1 | 471 6531-32 | •Pump wheel | •Roue de la pompe | 1,2 | |
| 8 | 1 | 471 6536-43 | •Seal | •Joint | 1,2 | GASKET |
| 9 | 1 | 471 6606-88 | •O-ring | •Joint torique | 1,2 | |
| 10 | 1 | 463 9736-08 | Ring | Anneau | 3 | |

1



100628

| Issue | Month | Year |
|-------|-------|------|
| 02 | 01 | 96 |

EX-200 76/1466-,EX-200 HI-TEK

Door lock

Serrure de porte

Illustration Issue Month Year
Schéma Issue Month Year
100628 7 3 1993

| Item Article | Qua Qua | Art.No Réf. article | Description | Description | Info Info | Notes Remarques |
|-----------------|------------|------------------------|---------------------|---------------------|--------------|--------------------|
| 1 | 1 | 471 2461-65 | Door locking device | Serrure de porte | 3 | 50/60Hz Complete |
| 2 | 1 | 471 2461-45 | •Bracket | •Pupitre | 3 | |
| 3 | 2 | 471 9102-53 | •Screw | •Vis | 3 | M8X75 |
| 4 | 18 | 471 2262-84 | •Washer | •Rondelle | 3 | |
| 5 | 2 | 471 2461-52 | •Spacer | •Entretoise | 3 | |
| 6 | 1 | 725 2471-51 | •Screw | •Vis | 3 | M8X100 |
| 7 | 1 | 471 2461-53 | •Spacer | •Entretoise | 3 | |
| 8 | 1 | 471 2461-63 | •Gasket | •Bande de garniture | 1 | |
| 9 | 1 | 471 2461-60 | •Cover | •Couvercle | 3 | |
| 10 | 2 | 471 9221-46 | •Screw | •Vis | 3 | KFXB 8X19 |
| 11 | 1 | 471 9625-02 | •Microswitch | •Microrupteur | 1,2 | FLE403 87/03241- |
| | 1 | 471 9221-13 | •Microswitch | •Microrupteur | 1,2 | FLE403 -87/03240 |
| 12 | 1 | 471 9626-50 | •Arm | •Bras | 1,2 | FLE403 -87/03240 |
| 13 | 2 | 471 9100-00 | •Screw | •Vis | 3 | RX 3X30 |
| 14 | 2 | 471 2461-54 | •Spacer | •Entretoise | 3 | FLE403 -87/03240 |
| 15 | 8 | 732 2110-01 | •Locking nut | •Contre-écrou | 3 | M3 |
| 16 | 5 | 471 9017-11 | •Screw | •Vis | 3 | MRX 3X10 |
| 17 | 1 | 471 2461-57 | •Torsion spring | •Ressort rotatif | 1 | |
| 18 | 1 | 471 2461-55 | •Catch | •Dispositif blocage | 1 | |
| 19 | 1 | 724 1327-42 | •Screw | •Vis | 3 | M5X12 |
| 20 | 1 | 734 1808-51 | •Washer | •Rondelle | 3 | NB 5X16 |
| 21 | 1 | 724 1228-01 | •Screw | •Vis | 3 | M3X16 |
| 22 | 1 | 471 2461-56 | •Tensioner spring | •Ressort tendeur | 1 | |
| 23 | 1 | 471 9221-11 | •Coil | •Bobine | 1,2 | 50/60Hz |

Numerical index/Numerical index

| Art.No/Réf. article | Page/Page | Art.No/Réf. article | Page/Page | Art.No/Réf. article | Page/Page | Art.No/Réf. article | Page/Page |
|---------------------|-----------|---------------------|-----------|---------------------|-----------|---------------------|-----------|
| 071 8519-14 | 33 | 471 2422-20 | 47 | 471 4045-01 | 63 | 471 4234-01 | 29 |
| 432 5099-01 | 39 | 471 2426-54 | 17 | 471 4050-01 | 63 | 471 4235-01 | 31 |
| 438 4100-01 | 75 | 471 2429-80 | 63 | 471 4051-01 | 13 | 471 4235-01 | 33 |
| 438 4100-01 | 101 | 471 2440-36 | 75 | 471 4051-01 | 63 | 471 4237-01 | 31 |
| 438 4101-01 | 75 | 471 2453-45 | 69 | 471 4052-01 | 63 | 471 4237-03 | 33 |
| 438 4101-01 | 101 | 471 2461-24 | 37 | 471 4052-02 | 63 | 471 4238-02 | 31 |
| 438 4832-01 | 37 | 471 2461-25 | 37 | 471 4066-01 | 41 | 471 4241-01 | 11 |
| 438 9636-02 | 45 | 471 2461-27 | 37 | 471 4066-02 | 45 | 471 4242-01 | 53 |
| 438 9636-02 | 49 | 471 2461-28 | 37 | 471 4066-03 | 45 | 471 4243-02 | 11 |
| 438 9636-03 | 45 | 471 2461-34 | 37 | 471 4066-03 | 49 | 471 4246-01 | 53 |
| 438 9636-03 | 49 | 471 2461-40 | 37 | 471 4067-01 | 41 | 471 4248-02 | 11 |
| 438 9636-03 | 113 | 471 2461-41 | 37 | 471 4068-01 | 41 | 471 4309-56 | 23 |
| 463 9736-08 | 137 | 471 2461-45 | 139 | 471 4069-02 | 45 | 471 4309-84 | 53 |
| 471 0751-77 | 101 | 471 2461-52 | 139 | 471 4069-02 | 49 | 471 4310-66 | 53 |
| 471 1560-10 | 135 | 471 2461-53 | 139 | 471 4070-01 | 43 | 471 4310-67 | 53 |
| 471 1560-11 | 135 | 471 2461-54 | 139 | 471 4070-02 | 47 | 471 4310-90 | 11 |
| 471 1560-12 | 135 | 471 2461-55 | 139 | 471 4070-03 | 47 | 471 4310-94 | 23 |
| 471 1560-13 | 135 | 471 2461-56 | 139 | 471 4070-04 | 49 | 471 4310-95 | 23 |
| 471 1560-14 | 135 | 471 2461-57 | 139 | 471 4071-01 | 43 | 471 4353-01 | 93 |
| 471 1560-15 | 135 | 471 2461-60 | 139 | 471 4071-02 | 47 | 471 4353-02 | 93 |
| 471 1560-16 | 135 | 471 2461-63 | 139 | 471 4071-03 | 47 | 471 4374-01 | 75 |
| 471 1560-17 | 135 | 471 2461-65 | 139 | 471 4071-03 | 49 | 471 4374-01 | 101 |
| 471 1560-18 | 135 | 471 2461-75 | 71 | 471 4074-01 | 41 | 471 4375-01 | 75 |
| 471 1612-01 | 113 | 471 2462-35 | 41 | 471 4074-01 | 45 | 471 4375-01 | 101 |
| 471 2075-27 | 53 | 471 2464-17 | 113 | 471 4074-01 | 49 | 471 4387-01 | 101 |
| 471 2095-32 | 13 | 471 2464-18 | 45 | 471 4075-05 | 41 | 471 4388-02 | 75 |
| 471 2260-05 | 71 | 471 2464-19 | 41 | 471 4075-06 | 41 | 471 4388-03 | 75 |
| 471 2260-05 | 113 | 471 2464-19 | 45 | 471 4075-07 | 41 | 471 4391-01 | 75 |
| 471 2260-95 | 75 | 471 2464-58 | 99 | 471 4075-11 | 49 | 471 4525-36 | 9 |
| 471 2261-49 | 113 | 471 2464-58 | 101 | 471 4075-12 | 49 | 471 4525-83 | 9 |
| 471 2262-84 | 139 | 471 2468-98 | 55 | 471 4075-21 | 45 | 471 4525-89 | 9 |
| 471 2264-03 | 41 | 471 2468-99 | 53 | 471 4075-22 | 45 | 471 4526-30 | 9 |
| 471 2264-03 | 45 | 471 2564-18 | 41 | 471 4075-23 | 45 | 471 4527-70 | 19 |
| 471 2265-69 | 41 | 471 2683-01 | 101 | 471 4081-12 | 35 | 471 4527-78 | 19 |
| 471 2265-69 | 45 | 471 2903-01 | 55 | 471 4091-01 | 69 | 471 4586-01 | 49 |
| 471 2265-74 | 53 | 471 2903-01 | 59 | 471 4091-01 | 83 | 471 4605-14 | 37 |
| 471 2277-86 | 27 | 471 2903-01 | 61 | 471 4091-02 | 83 | 471 4605-30 | 17 |
| 471 2277-86 | 29 | 471 3109-22 | 77 | 471 4103-19 | 63 | 471 4633-86 | 31 |
| 471 2277-91 | 27 | 471 4005-62 | 77 | 471 4107-82 | 65 | 471 4633-86 | 33 |
| 471 2277-91 | 29 | 471 4005-62 | 79 | 471 4107-82 | 67 | 471 4633-87 | 31 |
| 471 2277-92 | 27 | 471 4005-62 | 81 | 471 4107-90 | 65 | 471 4633-90 | 31 |
| 471 2277-92 | 29 | 471 4005-75 | 65 | 471 4107-90 | 99 | 471 4633-90 | 33 |
| 471 2401-52 | 11 | 471 4005-75 | 67 | 471 4107-99 | 53 | 471 4634-36 | 29 |
| 471 2409-89 | 11 | 471 4005-76 | 65 | 471 4108-02 | 11 | 471 4634-37 | 27 |
| 471 2409-89 | 55 | 471 4005-76 | 67 | 471 4108-10 | 11 | 471 4634-52 | 65 |
| 471 2409-93 | 55 | 471 4005-90 | 65 | 471 4108-57 | 53 | 471 4634-52 | 67 |
| 471 2409-93 | 59 | 471 4005-90 | 67 | 471 4108-78 | 11 | 471 4635-75 | 81 |
| 471 2411-27 | 11 | 471 4005-90 | 109 | 471 4108-79 | 23 | 471 4636-13 | 41 |
| 471 2413-19 | 41 | 471 4005-96 | 11 | 471 4203-01 | 53 | 471 4636-13 | 45 |
| 471 2413-33 | 63 | 471 4005-99 | 11 | 471 4205-01 | 53 | 471 4636-13 | 49 |
| 471 2416-41 | 11 | 471 4006-02 | 11 | 471 4207-01 | 77 | 471 4636-14 | 43 |
| 471 2416-42 | 11 | 471 4007-15 | 11 | 471 4207-01 | 79 | 471 4636-14 | 47 |
| 471 2416-43 | 11 | 471 4012-01 | 113 | 471 4207-01 | 81 | 471 4636-14 | 49 |
| 471 2416-83 | 13 | 471 4012-02 | 113 | 471 4211-02 | 63 | 471 4636-58 | 43 |
| 471 2417-20 | 101 | 471 4013-01 | 71 | 471 4212-01 | 63 | 471 4636-58 | 47 |
| 471 2417-21 | 65 | 471 4013-01 | 101 | 471 4215-01 | 63 | 471 4636-58 | 49 |
| 471 2417-21 | 67 | 471 4018-00 | 113 | 471 4225-01 | 25 | 471 4639-83 | 77 |
| 471 2417-25 | 65 | 471 4021-00 | 65 | 471 4225-02 | 25 | 471 4639-83 | 79 |
| 471 2417-25 | 67 | 471 4021-00 | 67 | 471 4225-03 | 33 | 471 4639-83 | 81 |
| 471 2417-29 | 65 | 471 4023-00 | 65 | 471 4227-01 | 25 | 471 4640-00 | 69 |
| 471 2417-38 | 109 | 471 4023-00 | 67 | 471 4230-01 | 31 | 471 4640-43 | 69 |
| 471 2418-14 | 37 | 471 4024-00 | 65 | 471 4230-01 | 33 | 471 4640-54 | 41 |
| 471 2418-42 | 101 | 471 4024-00 | 67 | 471 4231-01 | 25 | 471 4640-54 | 45 |
| 471 2422-19 | 41 | 471 4039-02 | 63 | 471 4232-01 | 27 | 471 4640-71 | 23 |
| 471 2422-19 | 45 | 471 4041-01 | 63 | 471 4233-01 | 31 | 471 4640-72 | 23 |
| 471 2422-20 | 41 | 471 4044-01 | 63 | 471 4233-01 | 33 | 471 4640-73 | 23 |

Numerical index/Numerical index

| Art.No/Réf. article | Page/Page | Art.No/Réf. article | Page/Page | Art.No/Réf. article | Page/Page | Art.No/Réf. article | Page/Page |
|---------------------|-----------|---------------------|-----------|---------------------|-----------|---------------------|-----------|
| 471 4640-94 | 43 | 471 6653-30 | 133 | 471 6903-81 | 127 | 471 8109-01 | 101 |
| 471 4640-94 | 47 | 471 6653-31 | 133 | 471 6903-82 | 127 | 471 8116-01 | 13 |
| 471 4640-94 | 49 | 471 6653-32 | 133 | 471 6903-83 | 123 | 471 8116-01 | 53 |
| 471 4641-08 | 39 | 471 6654-00 | 133 | 471 7110-80 | 41 | 471 8116-03 | 63 |
| 471 4641-10 | 39 | 471 6654-10 | 19 | 471 7119-10 | 41 | 471 8116-09 | 113 |
| 471 4641-15 | 13 | 471 6654-10 | 133 | 471 7253-01 | 79 | 471 8126-04 | 13 |
| 471 4641-26 | 11 | 471 6654-13 | 115 | 471 7253-01 | 81 | 471 8126-04 | 53 |
| 471 4641-76 | 113 | 471 6654-14 | 115 | 471 7253-01 | 107 | 471 8126-05 | 85 |
| 471 4647-78 | 11 | 471 6654-15 | 115 | 471 7260-02 | 103 | 471 8128-19 | 61 |
| 471 4647-80 | 65 | 471 6654-16 | 115 | 471 7468-01 | 135 | 471 8128-21 | 55 |
| 471 4647-80 | 67 | 471 6654-20 | 115 | 471 7607-01 | 43 | 471 8128-21 | 59 |
| 471 4647-80 | 77 | 471 6654-22 | 115 | 471 7607-02 | 43 | 471 8128-31 | 55 |
| 471 4647-80 | 79 | 471 6654-28 | 115 | 471 7607-03 | 43 | 471 8128-31 | 59 |
| 471 4647-80 | 81 | 471 6664-33 | 11 | 471 7607-04 | 43 | 471 8128-31 | 61 |
| 471 4647-80 | 99 | 471 6668-98 | 17 | 471 7607-05 | 43 | 471 8128-41 | 101 |
| 471 4647-82 | 53 | 471 6675-23 | 115 | 471 7607-06 | 43 | 471 8155-02 | 17 |
| 471 4647-83 | 55 | 471 6684-49 | 129 | 471 7607-07 | 43 | 471 8159-01 | 65 |
| 471 4647-83 | 69 | 471 6684-80 | 129 | 471 7607-08 | 43 | 471 8159-01 | 67 |
| 471 4647-83 | 83 | 471 6684-80 | 131 | 471 7607-09 | 43 | 471 8164-01 | 63 |
| 471 4705-02 | 19 | 471 6684-81 | 129 | 471 7607-10 | 43 | 471 8174-02 | 43 |
| 471 4722-03 | 19 | 471 6684-81 | 131 | 471 7608-01 | 43 | 471 8174-02 | 47 |
| 471 4782-39 | 19 | 471 6684-82 | 129 | 471 7608-02 | 43 | 471 8174-02 | 63 |
| 471 4782-79 | 19 | 471 6684-82 | 131 | 471 7608-03 | 43 | 471 8176-02 | 11 |
| 471 4782-81 | 19 | 471 6684-83 | 129 | 471 7608-04 | 43 | 471 8192-01 | 13 |
| 471 4782-85 | 19 | 471 6684-83 | 131 | 471 7608-05 | 43 | 471 8210-31 | 53 |
| 471 4783-01 | 51 | 471 6684-84 | 129 | 471 7608-06 | 43 | 471 8210-32 | 53 |
| 471 4783-08 | 51 | 471 6684-84 | 131 | 471 7608-07 | 43 | 471 8210-51 | 55 |
| 471 4792-01 | 117 | 471 6684-85 | 129 | 471 7608-08 | 43 | 471 8210-51 | 59 |
| 471 4792-01 | 119 | 471 6684-86 | 129 | 471 7608-09 | 43 | 471 8210-51 | 85 |
| 471 4792-01 | 121 | 471 6684-87 | 129 | 471 7608-10 | 43 | 471 8210-52 | 55 |
| 471 4835-01 | 55 | 471 6684-87 | 131 | 471 7609-01 | 43 | 471 8210-52 | 59 |
| 471 4835-02 | 53 | 471 6684-88 | 129 | 471 7609-02 | 43 | 471 8210-52 | 85 |
| 471 4878-84 | 49 | 471 6684-88 | 131 | 471 7609-03 | 43 | 471 8210-90 | 53 |
| 471 5511-01 | 37 | 471 6684-89 | 131 | 471 7609-04 | 43 | 471 8210-90 | 55 |
| 471 5516-00 | 37 | 471 6684-90 | 131 | 471 7609-05 | 43 | 471 8210-90 | 59 |
| 471 5523-00 | 37 | 471 6684-91 | 131 | 471 7609-06 | 43 | 471 8210-90 | 85 |
| 471 5525-00 | 37 | 471 6696-32 | 119 | 471 7609-07 | 43 | 471 8222-01 | 55 |
| 471 5560-00 | 11 | 471 6696-33 | 117 | 471 7609-08 | 43 | 471 8234-01 | 117 |
| 471 5564-00 | 11 | 471 6696-33 | 119 | 471 7609-09 | 43 | 471 8234-02 | 53 |
| 471 5617-00 | 13 | 471 6696-37 | 117 | 471 7609-10 | 43 | 471 8234-02 | 55 |
| 471 5631-00 | 37 | 471 6696-37 | 119 | 471 7626-74 | 13 | 471 8234-02 | 59 |
| 471 6257-35 | 133 | 471 6696-93 | 33 | 471 7626-95 | 9 | 471 8234-02 | 61 |
| 471 6527-10 | 133 | 471 6753-58 | 115 | 471 7639-15 | 13 | 471 8234-02 | 117 |
| 471 6527-11 | 133 | 471 6753-59 | 115 | 471 7647-33 | 9 | 471 8234-04 | 117 |
| 471 6527-12 | 133 | 471 6753-60 | 133 | 471 7701-50 | 25 | 471 8234-05 | 53 |
| 471 6527-20 | 133 | 471 6753-61 | 133 | 471 7702-50 | 25 | 471 8234-05 | 55 |
| 471 6527-21 | 133 | 471 6753-79 | 133 | 471 7826-10 | 43 | 471 8234-05 | 59 |
| 471 6527-22 | 133 | 471 6754-63 | 133 | 471 7826-10 | 47 | 471 8234-05 | 61 |
| 471 6527-24 | 133 | 471 6754-64 | 133 | 471 7826-10 | 49 | 471 8234-05 | 117 |
| 471 6527-26 | 133 | 471 6860-15 | 121 | 471 7826-20 | 43 | 471 8234-08 | 117 |
| 471 6527-28 | 133 | 471 6860-16 | 121 | 471 7826-20 | 47 | 471 8234-09 | 117 |
| 471 6527-29 | 133 | 471 6860-17 | 121 | 471 7826-20 | 49 | 471 8234-92 | 117 |
| 471 6527-30 | 133 | 471 6860-18 | 121 | 471 7826-99 | 47 | 471 8234-92 | 119 |
| 471 6527-32 | 133 | 471 6860-19 | 121 | 471 7855-01 | 13 | 471 8234-92 | 121 |
| 471 6527-34 | 133 | 471 6860-20 | 121 | 471 7858-02 | 55 | 471 8234-94 | 117 |
| 471 6527-38 | 133 | 471 6870-11 | 105 | 471 7858-02 | 59 | 471 8234-94 | 119 |
| 471 6531-32 | 137 | 471 6900-68 | 53 | 471 7858-02 | 61 | 471 8234-94 | 121 |
| 471 6536-43 | 137 | 471 6900-68 | 55 | 471 7858-02 | 85 | 471 8234-95 | 117 |
| 471 6536-78 | 41 | 471 6900-77 | 125 | 471 7858-03 | 55 | 471 8234-95 | 119 |
| 471 6536-78 | 47 | 471 6900-78 | 125 | 471 7858-03 | 61 | 471 8234-95 | 121 |
| 471 6600-12 | 137 | 471 6900-79 | 125 | 471 7858-04 | 13 | 471 8234-96 | 117 |
| 471 6600-13 | 137 | 471 6900-80 | 125 | 471 7858-04 | 61 | 471 8234-96 | 119 |
| 471 6606-88 | 137 | 471 6900-82 | 125 | 471 7858-07 | 13 | 471 8234-96 | 121 |
| 471 6653-01 | 115 | 471 6900-87 | 125 | 471 7859-01 | 71 | 471 8234-97 | 119 |
| 471 6653-02 | 115 | 471 6901-54 | 133 | 471 7859-11 | 71 | 471 8234-98 | 117 |
| 471 6653-03 | 115 | 471 6903-80 | 127 | 471 7963-01 | 51 | 471 8234-98 | 119 |

Numerical index/Numerical index

| Art.No/Réf. article | Page/Page | Art.No/Réf. article | Page/Page | Art.No/Réf. article | Page/Page | Art.No/Réf. article | Page/Page |
|---------------------|-----------|---------------------|-----------|---------------------|-----------|---------------------|-----------|
| 471 8234-98 | 121 | 471 8604-01 | 55 | 471 8780-37 | 71 | 471 9043-04 | 127 |
| 471 8235-01 | 63 | 471 8604-01 | 59 | 471 8800-05 | 71 | 471 9043-90 | 133 |
| 471 8235-01 | 119 | 471 8604-01 | 61 | 471 8804-02 | 19 | 471 9044-83 | 133 |
| 471 8235-02 | 119 | 471 8604-01 | 85 | 471 8804-51 | 19 | 471 9044-86 | 133 |
| 471 8235-03 | 119 | 471 8608-01 | 53 | 471 8804-71 | 19 | 471 9046-39 | 77 |
| 471 8235-04 | 119 | 471 8608-02 | 53 | 471 8806-02 | 41 | 471 9054-29 | 53 |
| 471 8235-05 | 119 | 471 8608-06 | 61 | 471 8806-02 | 47 | 471 9056-91 | 41 |
| 471 8235-06 | 119 | 471 8608-09 | 61 | 471 8806-50 | 43 | 471 9056-91 | 47 |
| 471 8235-07 | 119 | 471 8608-10 | 61 | 471 8806-61 | 11 | 471 9056-92 | 41 |
| 471 8235-08 | 119 | 471 8614-00 | 53 | 471 8810-02 | 19 | 471 9056-92 | 47 |
| 471 8235-09 | 63 | 471 8614-02 | 55 | 471 8860-08 | 41 | 471 9062-05 | 123 |
| 471 8235-09 | 119 | 471 8614-02 | 59 | 471 8860-08 | 45 | 471 9062-92 | 69 |
| 471 8235-11 | 119 | 471 8614-02 | 61 | 471 8860-11 | 41 | 471 9062-92 | 77 |
| 471 8235-12 | 119 | 471 8614-02 | 63 | 471 8860-11 | 45 | 471 9062-92 | 83 |
| 471 8235-13 | 119 | 471 8620-27 | 55 | 471 8860-11 | 75 | 471 9062-93 | 55 |
| 471 8235-14 | 119 | 471 8620-27 | 59 | 471 8955-01 | 19 | 471 9062-93 | 65 |
| 471 8235-15 | 119 | 471 8620-27 | 61 | 471 8955-01 | 43 | 471 9062-93 | 69 |
| 471 8235-20 | 119 | 471 8620-27 | 85 | 471 8955-02 | 47 | 471 9062-93 | 79 |
| 471 8235-21 | 119 | 471 8623-01 | 13 | 471 8961-01 | 19 | 471 9062-93 | 81 |
| 471 8235-51 | 121 | 471 8624-02 | 85 | 471 8961-02 | 47 | 471 9062-93 | 83 |
| 471 8235-54 | 121 | 471 8625-02 | 17 | 471 8961-02 | 133 | 471 9062-93 | 99 |
| 471 8235-57 | 121 | 471 8626-03 | 79 | 471 8965-01 | 47 | 471 9062-94 | 53 |
| 471 8247-01 | 113 | 471 8626-03 | 81 | 471 8965-02 | 47 | 471 9062-94 | 69 |
| 471 8260-01 | 105 | 471 8626-03 | 99 | 471 8977-01 | 49 | 471 9062-94 | 77 |
| 471 8260-02 | 105 | 471 8629-07 | 55 | 471 8977-04 | 49 | 471 9062-94 | 79 |
| 471 8260-56 | 105 | 471 8629-07 | 59 | 471 8980-01 | 135 | 471 9062-94 | 81 |
| 471 8260-90 | 105 | 471 8629-07 | 85 | 471 9004-75 | 25 | 471 9062-94 | 83 |
| 471 8260-91 | 105 | 471 8631-04 | 63 | 471 9004-75 | 35 | 471 9062-94 | 99 |
| 471 8265-09 | 101 | 471 8632-05 | 63 | 471 9004-75 | 101 | 471 9062-94 | 101 |
| 471 8271-02 | 77 | 471 8634-05 | 63 | 471 9006-61 | 71 | 471 9063-05 | 63 |
| 471 8271-02 | 79 | 471 8643-01 | 63 | 471 9008-30 | 133 | 471 9063-58 | 83 |
| 471 8271-02 | 81 | 471 8649-01 | 55 | 471 9008-98 | 41 | 471 9065-37 | 65 |
| 471 8300-09 | 71 | 471 8649-01 | 59 | 471 9008-98 | 45 | 471 9065-37 | 67 |
| 471 8302-01 | 11 | 471 8651-50 | 13 | 471 9009-38 | 53 | 471 9067-46 | 69 |
| 471 8319-01 | 31 | 471 8656-02 | 13 | 471 9009-38 | 113 | 471 9067-46 | 79 |
| 471 8319-01 | 33 | 471 8657-05 | 61 | 471 9010-73 | 53 | 471 9067-46 | 81 |
| 471 8340-12 | 13 | 471 8657-06 | 59 | 471 9010-73 | 113 | 471 9067-46 | 83 |
| 471 8341-11 | 19 | 471 8657-06 | 61 | 471 9015-65 | 133 | 471 9067-46 | 99 |
| 471 8502-05 | 71 | 471 8690-22 | 67 | 471 9017-11 | 139 | 471 9067-46 | 127 |
| 471 8502-05 | 75 | 471 8690-22 | 101 | 471 9017-12 | 133 | 471 9069-87 | 39 |
| 471 8517-01 | 63 | 471 8702-00 | 41 | 471 9018-51 | 113 | 471 9073-59 | 11 |
| 471 8519-01 | 31 | 471 8702-01 | 69 | 471 9018-59 | 23 | 471 9073-59 | 77 |
| 471 8519-01 | 33 | 471 8721-01 | 79 | 471 9019-34 | 57 | 471 9073-59 | 79 |
| 471 8519-02 | 31 | 471 8721-01 | 81 | 471 9019-34 | 65 | 471 9073-59 | 81 |
| 471 8519-02 | 33 | 471 8721-01 | 107 | 471 9019-34 | 101 | 471 9073-59 | 101 |
| 471 8519-03 | 31 | 471 8733-10 | 49 | 471 9019-34 | 113 | 471 9075-57 | 63 |
| 471 8519-03 | 33 | 471 8750-12 | 41 | 471 9027-86 | 41 | 471 9076-01 | 31 |
| 471 8519-04 | 31 | 471 8750-12 | 45 | 471 9027-86 | 45 | 471 9088-98 | 49 |
| 471 8519-04 | 33 | 471 8750-12 | 49 | 471 9027-86 | 49 | 471 9096-01 | 101 |
| 471 8519-05 | 33 | 471 8751-01 | 75 | 471 9030-35 | 57 | 471 9096-02 | 101 |
| 471 8519-06 | 31 | 471 8751-01 | 101 | 471 9030-35 | 59 | 471 9100-00 | 139 |
| 471 8519-06 | 33 | 471 8751-02 | 87 | 471 9037-49 | 93 | 471 9100-49 | 53 |
| 471 8551-04 | 17 | 471 8751-25 | 75 | 471 9037-73 | 61 | 471 9102-53 | 139 |
| 471 8552-00 | 17 | 471 8751-25 | 101 | 471 9041-80 | 53 | 471 9103-08 | 41 |
| 471 8575-00 | 65 | 471 8751-26 | 87 | 471 9041-80 | 55 | 471 9200-78 | 133 |
| 471 8575-00 | 67 | 471 8751-51 | 75 | 471 9041-80 | 123 | 471 9202-12 | 29 |
| 471 8576-01 | 63 | 471 8751-51 | 101 | 471 9042-46 | 127 | 471 9202-32 | 69 |
| 471 8576-03 | 15 | 471 8751-52 | 87 | 471 9043-01 | 33 | 471 9202-32 | 83 |
| 471 8576-04 | 15 | 471 8751-76 | 87 | 471 9043-03 | 77 | 471 9202-32 | 125 |
| 471 8577-02 | 63 | 471 8751-77 | 75 | 471 9043-03 | 127 | 471 9202-33 | 69 |
| 471 8601-00 | 81 | 471 8753-20 | 101 | 471 9043-04 | 69 | 471 9202-33 | 83 |
| 471 8603-01 | 53 | 471 8775-02 | 31 | 471 9043-04 | 79 | 471 9202-33 | 125 |
| 471 8603-11 | 55 | 471 8775-03 | 33 | 471 9043-04 | 81 | 471 9204-93 | 11 |
| 471 8603-11 | 59 | 471 8775-04 | 33 | 471 9043-04 | 83 | 471 9207-07 | 133 |
| 471 8603-11 | 61 | 471 8776-01 | 33 | 471 9043-04 | 99 | 471 9207-08 | 133 |
| 471 8603-11 | 85 | 471 8780-37 | 69 | 471 9043-04 | 101 | 471 9209-24 | 37 |

Numerical index/Numerical index

| Art.No/Réf. article | Page/Page | Art.No/Réf. article | Page/Page | Art.No/Réf. article | Page/Page | Art.No/Réf. article | Page/Page |
|---------------------|-----------|---------------------|-----------|---------------------|-----------|---------------------|-----------|
| 471 9209-46 | 55 | 471 9550-05 | 47 | 472 6385-02 | 111 | 472 6853-02 | 93 |
| 471 9209-74 | 53 | 471 9550-05 | 49 | 472 6385-03 | 111 | 472 6853-03 | 93 |
| 471 9214-69 | 77 | 471 9550-15 | 49 | 472 6385-04 | 111 | 472 6853-04 | 47 |
| 471 9214-69 | 127 | 471 9552-11 | 31 | 472 6385-05 | 111 | 472 6853-04 | 49 |
| 471 9214-74 | 127 | 471 9552-11 | 33 | 472 6385-06 | 111 | 472 6853-04 | 93 |
| 471 9219-15 | 43 | 471 9552-12 | 31 | 472 6385-07 | 111 | 472 6854-01 | 45 |
| 471 9219-16 | 19 | 471 9552-12 | 33 | 472 6390-02 | 39 | 472 6855-01 | 79 |
| 471 9219-16 | 43 | 471 9552-13 | 31 | 472 6810-01 | 15 | 472 6855-01 | 81 |
| 471 9219-52 | 31 | 471 9552-13 | 33 | 472 6812-01 | 15 | 472 6855-01 | 107 |
| 471 9219-52 | 33 | 471 9557-01 | 31 | 472 6814-01 | 15 | 472 6857-01 | 99 |
| 471 9219-63 | 115 | 471 9557-02 | 33 | 472 6817-01 | 15 | 472 6891-01 | 33 |
| 471 9219-65 | 75 | 471 9557-51 | 33 | 472 6818-01 | 15 | 472 6892-01 | 33 |
| 471 9219-86 | 65 | 471 9557-53 | 33 | 472 6818-01 | 81 | 472 6893-01 | 33 |
| 471 9219-86 | 67 | 471 9577-01 | 41 | 472 6819-01 | 53 | 472 6902-01 | 25 |
| 471 9219-86 | 99 | 471 9577-01 | 47 | 472 6824-01 | 69 | 472 6902-01 | 27 |
| 471 9219-86 | 101 | 471 9577-01 | 49 | 472 6825-01 | 55 | 472 6902-02 | 25 |
| 471 9219-86 | 109 | 471 9578-12 | 25 | 472 6825-01 | 59 | 472 6902-02 | 29 |
| 471 9221-11 | 139 | 471 9578-12 | 29 | 472 6825-01 | 61 | 472 6902-03 | 25 |
| 471 9221-13 | 139 | 471 9578-13 | 25 | 472 6826-01 | 55 | 472 6902-03 | 29 |
| 471 9221-46 | 139 | 471 9578-13 | 29 | 472 6826-01 | 59 | 472 6903-01 | 27 |
| 471 9223-03 | 71 | 471 9578-50 | 25 | 472 6826-01 | 61 | 472 6903-01 | 29 |
| 471 9223-03 | 113 | 471 9581-01 | 95 | 472 6827-01 | 55 | 472 6904-01 | 27 |
| 471 9223-03 | 137 | 471 9581-01 | 97 | 472 6827-01 | 59 | 472 6904-01 | 29 |
| 471 9223-50 | 137 | 471 9581-02 | 95 | 472 6827-01 | 61 | 472 6904-02 | 29 |
| 471 9223-72 | 43 | 471 9581-02 | 97 | 472 6830-02 | 55 | 472 6907-01 | 27 |
| 471 9223-93 | 25 | 471 9581-03 | 95 | 472 6830-02 | 59 | 472 6907-01 | 29 |
| 471 9223-93 | 129 | 471 9581-03 | 97 | 472 6830-02 | 85 | 472 6908-01 | 17 |
| 471 9223-94 | 25 | 471 9581-04 | 97 | 472 6833-01 | 59 | 472 6909-01 | 17 |
| 471 9223-94 | 131 | 471 9581-05 | 97 | 472 6835-01 | 55 | 472 6910-01 | 17 |
| 471 9224-60 | 23 | 471 9581-06 | 97 | 472 6837-01 | 55 | 472 6912-01 | 31 |
| 471 9226-04 | 53 | 471 9582-01 | 81 | 472 6837-01 | 59 | 472 6913-01 | 31 |
| 471 9226-04 | 69 | 471 9604-00 | 41 | 472 6837-01 | 85 | 472 6914-01 | 25 |
| 471 9226-04 | 83 | 471 9604-00 | 47 | 472 6838-01 | 55 | 472 6914-01 | 31 |
| 471 9226-65 | 43 | 471 9604-00 | 49 | 472 6838-01 | 59 | 472 6914-02 | 25 |
| 471 9226-65 | 47 | 471 9604-03 | 41 | 472 6838-01 | 61 | 472 6914-02 | 31 |
| 471 9226-66 | 43 | 471 9604-03 | 47 | 472 6839-01 | 55 | 472 6914-03 | 25 |
| 471 9226-66 | 47 | 471 9604-03 | 49 | 472 6839-01 | 59 | 472 6914-03 | 33 |
| 471 9226-67 | 43 | 471 9606-00 | 41 | 472 6839-01 | 61 | 472 6914-04 | 25 |
| 471 9226-67 | 47 | 471 9606-01 | 41 | 472 6840-01 | 13 | 472 6914-04 | 33 |
| 471 9226-68 | 43 | 471 9625-02 | 139 | 472 6840-02 | 91 | 472 6915-01 | 31 |
| 471 9226-68 | 47 | 471 9626-50 | 139 | 472 6841-01 | 13 | 472 6916-01 | 17 |
| 471 9226-97 | 41 | 471 9628-08 | 19 | 472 6842-01 | 13 | 472 6917-01 | 17 |
| 471 9226-97 | 45 | 471 9628-18 | 19 | 472 6843-01 | 11 | 472 6920-01 | 11 |
| 471 9226-97 | 71 | 471 9628-95 | 19 | 472 6844-01 | 13 | 472 6921-01 | 11 |
| 471 9226-97 | 91 | 471 9651-50 | 41 | 472 6845-01 | 69 | 472 6921-01 | 15 |
| 471 9226-97 | 101 | 471 9651-50 | 45 | 472 6846-01 | 69 | 472 6921-02 | 11 |
| 471 9228-03 | 53 | 471 9653-03 | 49 | 472 6847-01 | 69 | 472 6921-02 | 15 |
| 471 9228-03 | 55 | 471 9737-01 | 25 | 472 6847-03 | 45 | 472 6924-01 | 17 |
| 471 9228-03 | 61 | 471 9737-01 | 129 | 472 6847-03 | 49 | 472 6927-01 | 17 |
| 471 9228-37 | 25 | 471 9737-02 | 25 | 472 6848-01 | 69 | 472 6929-01 | 17 |
| 471 9228-37 | 129 | 471 9737-02 | 131 | 472 6848-02 | 45 | 472 6930-01 | 17 |
| 471 9228-38 | 25 | 471 9750-01 | 87 | 472 6848-02 | 47 | 472 6931-01 | 17 |
| 471 9228-38 | 129 | 471 9750-03 | 87 | 472 6848-02 | 49 | 472 6932-01 | 17 |
| 471 9228-39 | 25 | 471 9750-10 | 89 | 472 6848-03 | 45 | 472 6932-02 | 17 |
| 471 9228-39 | 131 | 471 9750-11 | 89 | 472 6849-01 | 69 | 472 6934-01 | 17 |
| 471 9228-40 | 25 | 471 9750-98 | 89 | 472 6850-01 | 69 | 472 6934-02 | 17 |
| 471 9228-40 | 131 | 471 9750-99 | 89 | 472 6850-02 | 69 | 472 6936-01 | 17 |
| 471 9228-41 | 53 | 471 9809-04 | 71 | 472 6851-01 | 47 | 472 6936-05 | 17 |
| 471 9228-49 | 23 | 472 5756-01 | 51 | 472 6851-03 | 47 | 472 6936-06 | 17 |
| 471 9228-69 | 113 | 472 5756-08 | 51 | 472 6851-03 | 49 | 472 6939-01 | 25 |
| 471 9228-97 | 37 | 472 6024-00 | 55 | 472 6852-02 | 79 | 472 6939-01 | 29 |
| 471 9228-98 | 37 | 472 6025-00 | 55 | 472 6852-02 | 81 | 472 6940-01 | 25 |
| 471 9529-03 | 51 | 472 6030-01 | 63 | 472 6852-04 | 79 | 472 6940-01 | 29 |
| 471 9529-10 | 51 | 472 6079-00 | 19 | 472 6852-04 | 81 | 472 6943-01 | 83 |
| 471 9533-02 | 135 | 472 6373-01 | 101 | 472 6852-04 | 107 | 472 6943-02 | 83 |
| 471 9550-05 | 41 | 472 6385-01 | 111 | 472 6853-01 | 47 | 472 6945-01 | 11 |

Numerical index/Numerical index

| Art.No/Réf. article | Page/Page | Art.No/Réf. article | Page/Page | Art.No/Réf. article | Page/Page | Art.No/Réf. article | Page/Page |
|---------------------|-----------|---------------------|-----------|---------------------|-----------|---------------------|-----------|
| 472 6946-01 | 11 | 472 9835-01 | 47 | 724 1323-42 | 63 | 725 2463-51 | 25 |
| 472 6946-01 | 77 | 472 9900-27 | 135 | 724 1327-01 | 69 | 725 2466-51 | 13 |
| 472 6950-01 | 11 | 472 9900-28 | 135 | 724 1327-01 | 99 | 725 2466-51 | 39 |
| 472 6951-01 | 11 | 472 9900-29 | 135 | 724 1327-01 | 101 | 725 2466-51 | 79 |
| 472 6952-01 | 65 | 472 9900-30 | 135 | 724 1327-42 | 139 | 725 2466-51 | 81 |
| 472 6952-01 | 67 | 472 9900-31 | 135 | 724 1329-01 | 43 | 725 2471-51 | 139 |
| 472 6954-01 | 17 | 472 9900-52 | 135 | 724 1331-42 | 63 | 725 2491-51 | 17 |
| 472 6969-01 | 53 | 472 9900-53 | 135 | 724 1335-01 | 63 | 725 2491-51 | 31 |
| 472 6983-01 | 99 | 472 9900-54 | 135 | 724 1335-01 | 71 | 725 2491-51 | 33 |
| 472 6983-02 | 99 | 472 9900-76 | 135 | 724 1337-01 | 39 | 725 2497-51 | 27 |
| 472 6983-03 | 101 | 472 9901-06 | 11 | 724 1368-42 | 47 | 725 2497-51 | 29 |
| 472 7206-01 | 55 | 472 9902-77 | 41 | 724 1368-42 | 49 | 725 2499-51 | 129 |
| 472 7206-01 | 59 | 472 9902-77 | 45 | 724 1368-42 | 107 | 725 2507-51 | 11 |
| 472 7206-01 | 61 | 472 9902-77 | 49 | 724 3287-01 | 43 | 725 2540-51 | 33 |
| 472 7945-01 | 13 | 472 9902-77 | 87 | 724 3287-01 | 47 | 725 2540-51 | 77 |
| 472 7946-01 | 25 | 472 9902-77 | 95 | 724 3289-01 | 49 | 725 2540-51 | 79 |
| 472 7946-01 | 35 | 472 9902-77 | 97 | 724 3295-61 | 29 | 725 2540-51 | 81 |
| 472 7947-01 | 35 | 472 9902-78 | 41 | 724 5368-42 | 81 | 725 2542-42 | 37 |
| 472 7948-01 | 35 | 472 9902-78 | 45 | 725 1299-01 | 35 | 725 2558-51 | 79 |
| 472 7949-01 | 35 | 472 9902-78 | 49 | 725 2285-42 | 71 | 725 2558-51 | 81 |
| 472 7950-01 | 35 | 472 9902-78 | 87 | 725 2325-51 | 17 | 725 2624-51 | 23 |
| 472 7956-01 | 79 | 472 9902-78 | 95 | 725 2327-42 | 37 | 725 2628-51 | 11 |
| 472 7956-01 | 81 | 472 9902-78 | 97 | 725 2327-51 | 71 | 725 2628-51 | 31 |
| 472 7964-01 | 109 | 472 9904-86* | 35 | 725 2364-51 | 71 | 725 2632-51 | 17 |
| 472 7965-01 | 109 | 472 9913-22 | 13 | 725 2364-51 | 75 | 725 2634-51 | 25 |
| 472 7971-01 | 13 | 723 2325-31 | 71 | 725 2364-51 | 91 | 725 2636-51 | 15 |
| 472 9001-02 | 71 | 723 2328-31 | 71 | 725 2364-61 | 55 | 725 2636-51 | 17 |
| 472 9002-01 | 71 | 723 5368-42 | 79 | 725 2364-61 | 59 | 725 2640-51 | 27 |
| 472 9003-01 | 75 | 724 1220-61 | 35 | 725 2364-61 | 61 | 725 2640-51 | 29 |
| 472 9004-02 | 75 | 724 1222-01 | 41 | 725 2364-61 | 109 | 725 5340-01 | 63 |
| 472 9005-01 | 71 | 724 1222-01 | 45 | 725 2366-51 | 13 | 725 5493-01 | 11 |
| 472 9008-01 | 75 | 724 1222-01 | 49 | 725 2366-61 | 13 | 725 6491-42 | 17 |
| 472 9009-01 | 71 | 724 1224-01 | 51 | 725 2366-61 | 39 | 728 8362-01 | 17 |
| 472 9009-02 | 71 | 724 1226-01 | 91 | 725 2366-61 | 53 | 728 8445-01 | 37 |
| 472 9009-03 | 71 | 724 1228-01 | 83 | 725 2366-61 | 71 | 728 8489-01 | 25 |
| 472 9011-01 | 75 | 724 1228-01 | 139 | 725 2368-51 | 11 | 728 5225-01 | 45 |
| 472 9012-02 | 75 | 724 1228-42 | 47 | 725 2368-51 | 33 | 729 5279-01 | 41 |
| 472 9013-02 | 75 | 724 1230-01 | 35 | 725 2368-51 | 55 | 729 5279-01 | 45 |
| 472 9014-01 | 71 | 724 1285-01 | 35 | 725 2368-51 | 59 | 729 5279-01 | 75 |
| 472 9016-01 | 75 | 724 1285-01 | 73 | 725 2368-51 | 61 | 729 5340-01 | 101 |
| 472 9017-01 | 75 | 724 1285-42 | 63 | 725 2368-51 | 71 | 729 5342-01 | 41 |
| 472 9018-01 | 75 | 724 1289-01 | 13 | 725 2368-51 | 85 | 729 5342-01 | 45 |
| 472 9023-01 | 71 | 724 1289-01 | 25 | 725 2370-42 | 79 | 729 5342-01 | 49 |
| 472 9026-01 | 71 | 724 1289-01 | 43 | 725 2370-42 | 81 | 729 5342-01 | 69 |
| 472 9027-01 | 71 | 724 1289-01 | 47 | 725 2370-42 | 107 | 729 5342-01 | 71 |
| 472 9028-01 | 75 | 724 1289-01 | 49 | 725 2370-51 | 105 | 729 5342-01 | 75 |
| 472 9044-01 | 71 | 724 1289-01 | 69 | 725 2372-51 | 69 | 729 5344-01 | 45 |
| 472 9045-01 | 71 | 724 1289-01 | 79 | 725 2372-51 | 113 | 729 5344-01 | 49 |
| 472 9046-01 | 75 | 724 1289-01 | 81 | 725 2374-51 | 41 | 729 5348-01 | 95 |
| 472 9047-01 | 75 | 724 1289-01 | 83 | 725 2374-51 | 45 | 729 5348-01 | 97 |
| 472 9048-01 | 75 | 724 1289-01 | 101 | 725 2374-51 | 49 | 729 5348-04 | 87 |
| 472 9070-01 | 67 | 724 1289-42 | 29 | 725 2374-51 | 65 | 729 5410-01 | 13 |
| 472 9070-01 | 101 | 724 1289-42 | 63 | 725 2374-51 | 67 | 729 5410-01 | 55 |
| 472 9072-01 | 67 | 724 1289-42 | 75 | 725 2449-51 | 53 | 729 5410-01 | 59 |
| 472 9073-01 | 67 | 724 1289-42 | 101 | 725 2449-51 | 71 | 729 5410-01 | 61 |
| 472 9075-01 | 67 | 724 1293-01 | 41 | 725 2449-51 | 75 | 729 7342-01 | 45 |
| 472 9076-01 | 67 | 724 1293-01 | 71 | 725 2451-42 | 17 | 729 9342-61 | 11 |
| 472 9093-01 | 101 | 724 1293-01 | 75 | 725 2451-51 | 113 | 729 9342-61 | 25 |
| 472 9097-02 | 101 | 724 1293-01 | 101 | 725 2453-51 | 101 | 731 1216-01 | 41 |
| 472 9099-01 | 101 | 724 1293-40 | 47 | 725 2455-51 | 65 | 731 2120-01 | 27 |
| 472 9201-01 | 61 | 724 1293-42 | 49 | 725 2455-51 | 71 | 731 2120-01 | 29 |
| 472 9204-01 | 101 | 724 1295-01 | 35 | 725 2455-51 | 109 | 731 2216-01 | 69 |
| 472 9205-02 | 101 | 724 1303-01 | 71 | 725 2459-51 | 31 | 731 2310-01 | 51 |
| 472 9207-02 | 101 | 724 1321-42 | 11 | 725 2459-51 | 101 | 731 2312-01 | 13 |
| 472 9764-01 | 35 | 724 1323-01 | 25 | 725 2459-51 | 131 | 731 2312-01 | 43 |
| 472 9818-01 | 73 | 724 1323-01 | 29 | 725 2461-51 | 67 | 731 2312-01 | 47 |

Numerical index/Numerical index

| Art.No/Réf. article | Page/Page | Art.No/Réf. article | Page/Page | Art.No/Réf. article | Page/Page | Art.No/Réf. article | Page/Page |
|---------------------|-----------|---------------------|-----------|---------------------|-----------|---------------------|-----------|
| 731 2312-01 | 49 | 732 2124-01 | 33 | 736 2825-51 | 63 | 762 2111-05 | 81 |
| 731 2312-42 | 75 | 732 2312-42 | 63 | 736 2828-51 | 53 | 762 2111-05 | 107 |
| 731 2312-42 | 101 | 732 3116-14 | 37 | 736 2828-51 | 75 | 762 2114-05 | 69 |
| 731 2314-01 | 39 | 732 9809-13 | 101 | 736 2831-51 | 53 | 762 2114-05 | 71 |
| 731 2314-42 | 37 | 733 1842-51 | 71 | 736 2837-51 | 75 | 762 7102-05 | 47 |
| 731 2314-92 | 63 | 734 1124-01 | 35 | 736 2837-51 | 101 | 762 7102-05 | 69 |
| 731 2316-01 | 11 | 734 1124-01 | 91 | 736 2837-51 | 113 | 762 7103-92 | 71 |
| 731 2316-01 | 13 | 734 1136-01 | 13 | 736 2840-51 | 11 | 762 7104-92 | 71 |
| 731 2316-01 | 45 | 734 1136-01 | 87 | 736 2840-51 | 55 | 762 7105-80 | 41 |
| 731 2316-01 | 49 | 734 1146-01 | 63 | 736 2840-51 | 59 | 762 7105-80 | 71 |
| 731 2316-01 | 55 | 734 1146-01 | 95 | 736 2840-51 | 61 | 762 7105-92 | 71 |
| 731 2316-01 | 59 | 734 1146-01 | 97 | 736 2840-51 | 63 | 762 7110-80 | 71 |
| 731 2316-01 | 61 | 734 1153-01 | 55 | 736 2840-51 | 75 | 762 7111-10 | 71 |
| 731 2316-01 | 75 | 734 1153-01 | 59 | 736 2840-51 | 101 | 762 7116-90 | 47 |
| 731 2316-01 | 79 | 734 1153-01 | 65 | 736 2843-51 | 55 | 762 7116-90 | 69 |
| 731 2316-01 | 81 | 734 1153-01 | 67 | 736 2843-51 | 59 | 762 7117-10 | 49 |
| 731 2316-01 | 85 | 734 1153-01 | 69 | 736 2843-51 | 61 | 762 7120-90 | 69 |
| 731 2316-01 | 105 | 734 1153-01 | 85 | 736 2849-51 | 13 | 762 7121-80 | 47 |
| 731 2316-01 | 107 | 734 1153-01 | 91 | 736 2849-51 | 53 | 762 7121-80 | 69 |
| 731 2316-42 | 37 | 734 1153-01 | 113 | 736 2849-51 | 65 | 762 7137-90 | 45 |
| 731 2318-01 | 53 | 734 1153-09 | 13 | 736 2849-51 | 67 | 762 7137-90 | 49 |
| 731 2318-01 | 55 | 734 1153-09 | 37 | 736 2849-51 | 75 | 762 7137-90 | 69 |
| 731 2318-01 | 67 | 734 1153-09 | 71 | 736 2849-51 | 109 | 762 7145-90 | 69 |
| 731 2318-01 | 71 | 734 1164-01 | 13 | 736 2855-51 | 65 | 762 7146-90 | 71 |
| 731 2318-01 | 75 | 734 1164-01 | 25 | 736 2855-51 | 67 | 762 7202-57 | 25 |
| 731 2318-42 | 63 | 734 1164-01 | 31 | 736 2855-51 | 101 | 762 7212-55 | 41 |
| 731 2320-01 | 27 | 734 1164-01 | 55 | 736 2867-51 | 65 | 762 7212-57 | 83 |
| 731 2320-01 | 29 | 734 1164-01 | 71 | 736 2867-51 | 67 | 762 7412-57 | 25 |
| 731 2320-42 | 37 | 734 1164-01 | 101 | 738 2104-03 | 27 | 762 9105-05 | 35 |
| 731 2324-01 | 23 | 734 1164-09 | 17 | 738 2210-18 | 33 | 762 9105-05 | 101 |
| 732 2110-01 | 35 | 734 1164-09 | 63 | 738 2304-33 | 29 | 762 9163-60 | 101 |
| 732 2110-01 | 41 | 734 1173-01 | 27 | 738 2310-30 | 129 | 763 1101-03 | 47 |
| 732 2110-01 | 45 | 734 1173-01 | 29 | 738 2310-30 | 131 | 763 1802-01 | 47 |
| 732 2110-01 | 47 | 734 1173-09 | 17 | 738 2311-34 | 33 | 767 5101-20 | 45 |
| 732 2110-01 | 49 | 734 1173-09 | 63 | 738 8810-01 | 17 | 767 5101-20 | 49 |
| 732 2110-01 | 91 | 734 1178-01 | 67 | 738 8820-01 | 129 | 767 5101-92 | 47 |
| 732 2110-01 | 139 | 734 1178-09 | 63 | 738 8820-64 | 131 | 767 5102-20 | 45 |
| 732 2112-01 | 25 | 734 1186-01 | 17 | 740 4805-03 | 11 | 767 5102-20 | 49 |
| 732 2112-01 | 29 | 734 1186-01 | 27 | 741 3109-21 | 55 | 767 5102-92 | 47 |
| 732 2112-01 | 35 | 734 1186-01 | 29 | 741 3115-11 | 55 | 767 5103-66 | 71 |
| 732 2112-01 | 71 | 734 1808-51 | 35 | 741 3115-11 | 59 | 767 5111-10 | 41 |
| 732 2114-01 | 43 | 734 1808-51 | 69 | 741 4102-20 | 55 | 767 5112-10 | 41 |
| 732 2114-01 | 71 | 734 1808-51 | 101 | 741 4102-20 | 81 | 767 5121-00 | 41 |
| 732 2116-01 | 35 | 734 1808-51 | 139 | 741 4114-20 | 113 | 767 5121-00 | 45 |
| 732 2116-01 | 39 | 735 3110-21 | 133 | 741 5109-25 | 69 | 767 5122-00 | 41 |
| 732 2116-01 | 65 | 735 3122-00 | 27 | 741 5115-00 | 61 | 767 5122-00 | 45 |
| 732 2116-01 | 67 | 735 3122-00 | 29 | 741 5115-00 | 85 | 767 5122-00 | 71 |
| 732 2116-01 | 71 | 735 3138-10 | 27 | 742 1117-20 | 61 | 767 5122-00 | 101 |
| 732 2116-01 | 91 | 735 3143-10 | 29 | 742 5115-11 | 55 | 767 5131-00 | 41 |
| 732 2116-01 | 113 | 735 3144-00 | 33 | 742 5115-11 | 59 | 767 5131-00 | 45 |
| 732 2118-01 | 13 | 735 3154-11 | 23 | 742 5115-11 | 61 | 767 5131-00 | 79 |
| 732 2118-01 | 39 | 735 3160-10 | 31 | 744 3119-06 | 85 | 767 5131-00 | 81 |
| 732 2118-01 | 71 | 735 3160-10 | 33 | 762 1152-10 | 71 | 767 5131-00 | 107 |
| 732 2118-01 | 79 | 735 3171-10 | 31 | 762 1152-10 | 75 | 767 5131-10 | 41 |
| 732 2118-01 | 81 | 735 3171-10 | 33 | 762 1182-10 | 45 | 767 5132-00 | 41 |
| 732 2118-01 | 101 | 735 3179-00 | 17 | 762 1182-10 | 49 | 767 5132-00 | 45 |
| 732 2118-01 | 113 | 735 3187-10 | 17 | 762 1182-10 | 83 | 767 5132-00 | 79 |
| 732 2120-01 | 11 | 735 9435-01 | 31 | 762 1209-10 | 13 | 767 5132-00 | 81 |
| 732 2122-01 | 67 | 735 9435-01 | 33 | 762 1209-10 | 43 | 767 5132-00 | 107 |
| 732 2122-01 | 77 | 735 9561-00 | 31 | 762 1209-10 | 45 | 767 5132-10 | 41 |
| 732 2122-01 | 79 | 735 9561-00 | 33 | 762 1209-10 | 51 | 767 5151-00 | 41 |
| 732 2122-01 | 81 | 736 2816-51 | 13 | 762 1209-10 | 55 | 767 5151-00 | 45 |
| 732 2124-01 | 15 | 736 2816-51 | 63 | 762 1209-10 | 59 | 767 5152-00 | 41 |
| 732 2124-01 | 25 | 736 2819-51 | 55 | 762 1209-10 | 69 | 767 5152-00 | 45 |
| 732 2124-01 | 27 | 736 2819-51 | 59 | 762 1209-10 | 83 | 874 6611-00 | 105 |
| 732 2124-01 | 29 | 736 2819-51 | 61 | 762 2111-05 | 79 | 874 6611-01 | 31 |

Numerical index/Numerical index

| Art.No/Réf. article | Page/Page | Art.No/Réf. article | Page/Page | Art.No/Réf. article | Page/Page | Art.No/Réf. article | Page/Page |
|---------------------|-----------|---------------------|-----------|---------------------|-----------|---------------------|-----------|
| 874 7601-08 | 17 | | | | | | |
| 885 4158-00 | 71 | | | | | | |
| 988 0111-03 | 81 | | | | | | |
| 988 0111-04 | 81 | | | | | | |
| 988 8010-03 | 91 | | | | | | |
| 988 8010-04 | 93 | | | | | | |
| 988 8010-06 | 109 | | | | | | |
| 988 8011-01 | 79 | | | | | | |
| 988 8011-02 | 79 | | | | | | |
| 988 8011-05 | 107 | | | | | | |
| 988 8011-06 | 107 | | | | | | |
| 988 8011-09 | 79 | | | | | | |
| 988 8012-01 | 99 | | | | | | |
| 988 8012-02 | 99 | | | | | | |
| 988 8012-03 | 99 | | | | | | |
| 988 8012-04 | 99 | | | | | | |
| 988 8012-09 | 101 | | | | | | |
| 988 8012-11 | 99 | | | | | | |
| 988 8012-13 | 99 | | | | | | |
| 988 8012-14 | 99 | | | | | | |
| 988 8012-17 | 99 | | | | | | |
| 988 8013-01 | 89 | | | | | | |
| 988 8013-03 | 89 | | | | | | |
| 988 8013-08 | 89 | | | | | | |
| 988 8013-09 | 89 | | | | | | |
| 988 8014-01 | 105 | | | | | | |
| 988 8014-03 | 105 | | | | | | |
| 988 8015-01 | 111 | | | | | | |
| 988 8016-01 | 97 | | | | | | |
| 988 8016-02 | 97 | | | | | | |
| 988 8016-03 | 97 | | | | | | |
| 988 8016-04 | 97 | | | | | | |
| 988 8016-09 | 97 | | | | | | |
| 988 8016-10 | 97 | | | | | | |
| 988 8016-11 | 97 | | | | | | |
| 988 8017-01 | 85 | | | | | | |
| 988 8017-02 | 85 | | | | | | |

WASCOMAT

461 Doughty Blvd., Inwood, L.I., N.Y. 11096-0338

Telephone: 516-371-4400

Parts and Service FAX: 516-371-4029

Sales and Administration FAX: 516-371-4204