

EX-200c

---



## List of issues

Group  
Groupe  
68

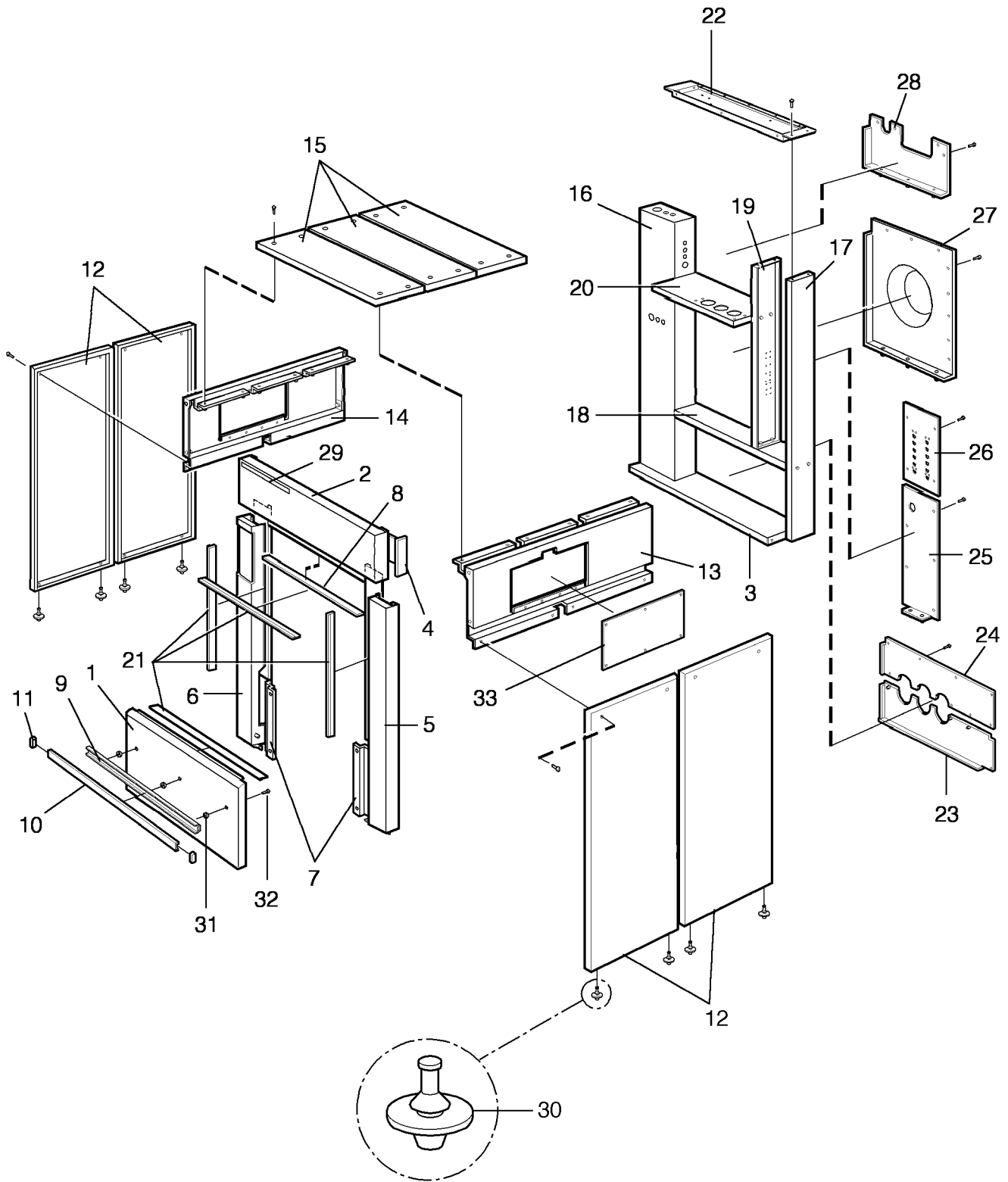
### EX-200c

Illustration	Page	Table of contents
100246	43	Drain valve
100423	29	Suspension
100425	31	Belt tensioner wash
100432	35	Clutch
101426	23	Door
101432	45	Drain valve
101481	7	Panels
101487	25	Door lock
101492	51	Steam components
101496	11	Frame
101497	27	Motors
101498	39	Out of balance switch
101616	19	Motor module
101618	15	Electric cabinet, front
101628	17	Electric cabinet, rear
101631	33	Belt tensioner centrifugal
101632	37	Switch for hydraulic coupling
101633	13	Inner and outer drum complete
101647	41	Drain valve and hoses
101721	47	Water alternatives
101722	49	Water connections
101724	57	Third water valve
101725	59	Drain valve and hoses, water recovery
101726	63	Insulation
101727	65	Weighing device
101728	53	Dispensing components
101729	55	Level tube and test tap
101730	61	Tilt, forward and forward/backward
101795	21	Relay box



## EX-200c

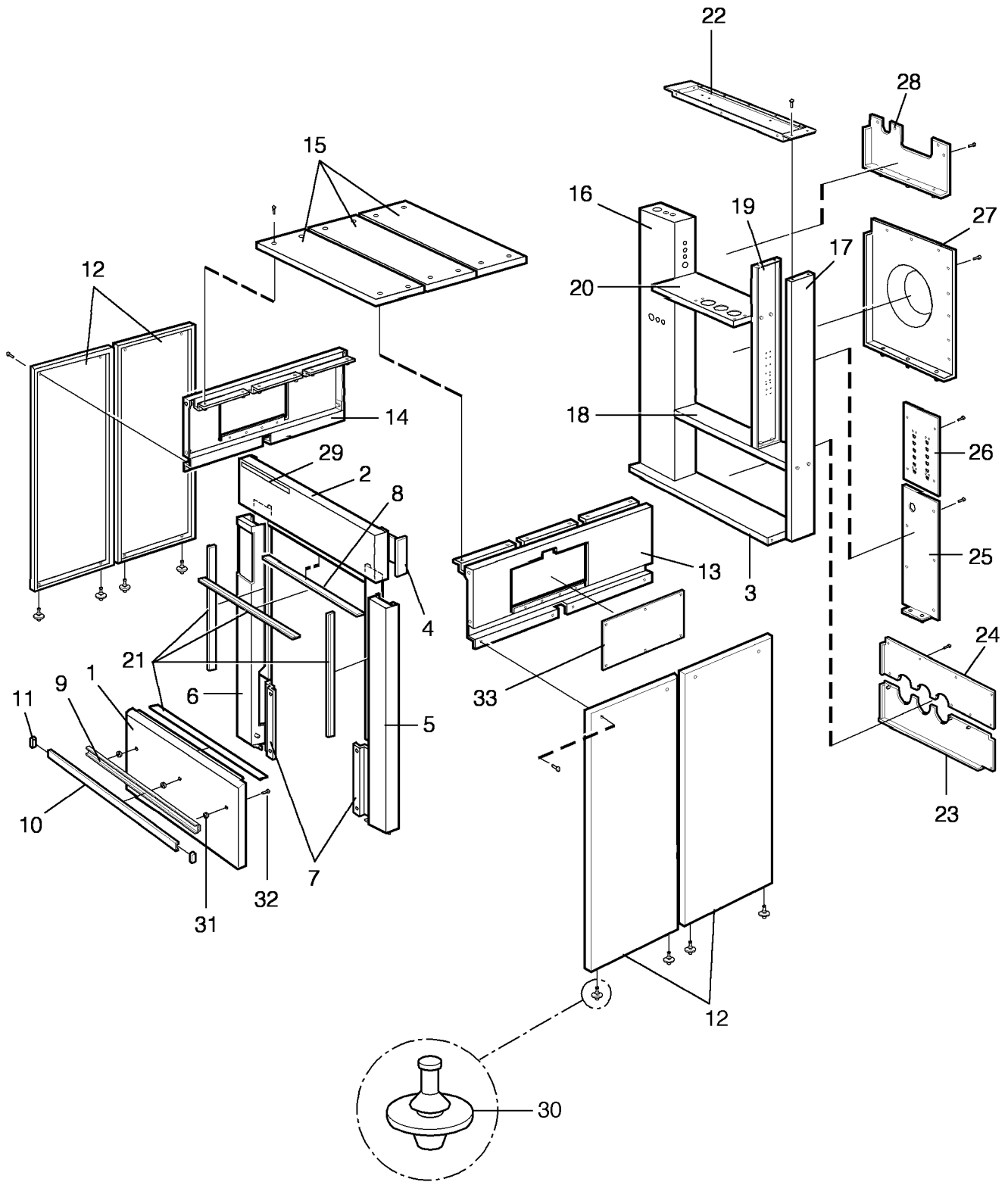
Table of contents	Table des matières	Page/Page
Panels	Plaques	7
Frame	Base	11
Inner and outer drum complete	Tambour intérieur et extérieur complet	13
Electric cabinet, front	Armoire électrique, avant	15
Electric cabinet, rear	Armoire électrique, arrière	17
Motor module	Motor module	19
Relay box	Relay box	21
Door	Plaque	23
Door lock	Serrure de porte	25
Motors	Moteurs	27
Suspension	Pied à ressorts	29
Belt tensioner wash	Tendeur de courroie de lavage	31
Belt tensioner centrifugal	Tendeur de courroie essorage	33
Clutch	Connexion	35
Switch for hydraulic coupling	Commutateur, connexion hydraulique	37
Out of balance switch	Commutateur asymétrique	39
Drain valve and hoses	Purgeur et flexible	41
Drain valve	Purgeur	43
Drain valve	Purgeur	45
Water alternatives	Option eau	47
Water connections	Raccords d'eau	49
Steam components	Composant vapeur	51
Dispensing components	Distributeur de savon	53
Level tube and test tap	Tuyau de niveau et robinet de test	55
Third water valve	Soupapes vapeur et eau	57
Drain valve and hoses, water recovery	Purgeur et flexibles, recyclage	59
Tilt, forward and forward/backward	Basculement, avant et avant/arrière	61
Insulation	Isolation	63
Weighing device	Unité de balance	65



101481

Issue	Month	Year
05	02	01

EX-200c				Illustration	Issue	Month	Year
Panels				Schéma	Issue	Month	Year
Plaques				101481/1	5	10	2000
Item	Qua	Art.No	Description	Description	Info	Notes	
Article	Qua	Réf. article			Info	Remarques	
1	1	432 0408-01	Front plate, lower	Tôle de façade inférieure	3		
2	1	432 0409-01	Front plate, upper	Tôle de façade supérieure	3		
	1	432 0409-02	Front plate, upper	Tôle de façade supérieure	3	Silver	
3	1	432 0407-01	Bottom shelf	Planche de fond	3		
4	2	432 0042-01	Cover plate	Plaque recouvrement	3		
	2	432 0042-02	Cover plate	Couvercle	3	Stainless	
	2	432 0042-03	Cover plate	Couvercle	3	Grey	
5	1	432 0400-01	Pillar	Montant	3	Right	
6	1	432 0401-01	Pillar	Montant	3	Left	
7	2	432 0442-01	Angular mounting plate	Equerre	3		
8	1	432 0404-01	Profile	Profilé	3	Upper	
9	1	471 5560-00	Profile	Profilé	3		
10	RQ	471 5564-00	Safety strip	Lame sécurité plomb	3		
11	2	471 9204-93	Sleeve	Manchon	3		
12	4	432 0405-01	Lower side panel	Panneau latéral inférieur	3	White	
	4	432 0405-02	Lower side panel	Panneau latéral inférieur	3	Stainless	
	4	432 0405-03	Lower side panel	Panneau latéral inférieur	3	Red	
	1	432 0405-04	Lower side panel with hole for level tube and test tap	Lower side panel with hole for level tube and test tap	3	White	
	1	432 0405-05	Lower side panel with hole for level tube and test tap	Lower side panel with hole for level tube and test tap	3	Stainless	
	1	432 0405-06	Lower side panel with hole for level tube and test tap	Lower side panel with hole for level tube and test tap	3	Red	
	1	432 0405-07	Lower side panel	Panneau latéral inférieur	3	Grey	
	1	432 0405-08	Lower side panel with hole for level tube and test tap	Lower side panel with hole for level tube and test tap	3	Grey	
13	1	432 0402-04	Top side panel	Panneau latéral supérieur	3	Right, white	
	1	432 0402-05	Top side panel	Panneau latéral supérieur	3	Right, stainless	
	1	432 0402-08	Top side panel	Panneau latéral supérieur	3	Right, grey	
14	1	432 0402-01	Top side panel	Panneau latéral supérieur	3	Left, white	
	1	432 0402-02	Top side panel	Panneau latéral supérieur	3	Left, stainless	
	1	432 0402-07	Top side panel	Panneau latéral supérieur	3	Left, grey	
15	3	432 0403-01	Top panel	Couvercle	3	White	
	3	432 0403-02	Top panel	Couvercle	3	Stainless	
	3	432 0403-04	Top panel	Couvercle	3	Grey	
16	1	432 0410-01	Electric cabinet	Passage de câbles	3		
	1	432 0410-03	Electric cabinet	Passage de câbles	3	Grey	
17	1	432 0426-01	Pillar	Montant	3	Rear White	
	1	432 0426-03	Pillar	Montant	3	Grey	
18	1	432 0430-01	Beam	Poutre	3		
	1	432 0430-03	Beam	Poutre	3	Grey	
19	1	432 0431-01	Beam	Poutre	3		
	1	432 0431-03	Beam	Poutre	3	Grey	
20	1	432 0429-01	Beam	Poutre	3	Upper	
	1	432 0429-03	Beam	Poutre	3	Grey	
21	RQ	438 4273-11	Rubber strip	Joint caoutchouc	3		
22	1	432 0428-01	Valve box	Valve box	3	White Rear	
	1	432 0428-03	Valve box	Valve box	3	Grey Rear	
23	1	432 0452-01	Cover plate	Plaque recouvrement	3	White	
	1	432 0452-03	Cover plate	Couvercle	3	Grey	
24	1	432 0453-01	Cover plate	Plaque recouvrement	3	White	
	1	432 0453-03	Cover plate	Couvercle	3	Grey	
25	1	432 0434-01	Cover plate	Plaque recouvrement	3	White	
	1	432 0434-03	Cover plate	Couvercle	3	Grey	
26	1	432 0436-01	Cover plate	Plaque recouvrement	3	White	
	1	432 0436-03	Cover plate	Couvercle	3	Grey	
27	1	432 0433-01	Cover plate	Plaque recouvrement	3	White	
	1	432 0433-03	Cover plate	Couvercle	3	Grey	
28	1	432 0432-01	Cover plate	Plaque recouvrement	3	White	



101481

Issue	Month	Year
05	02	01



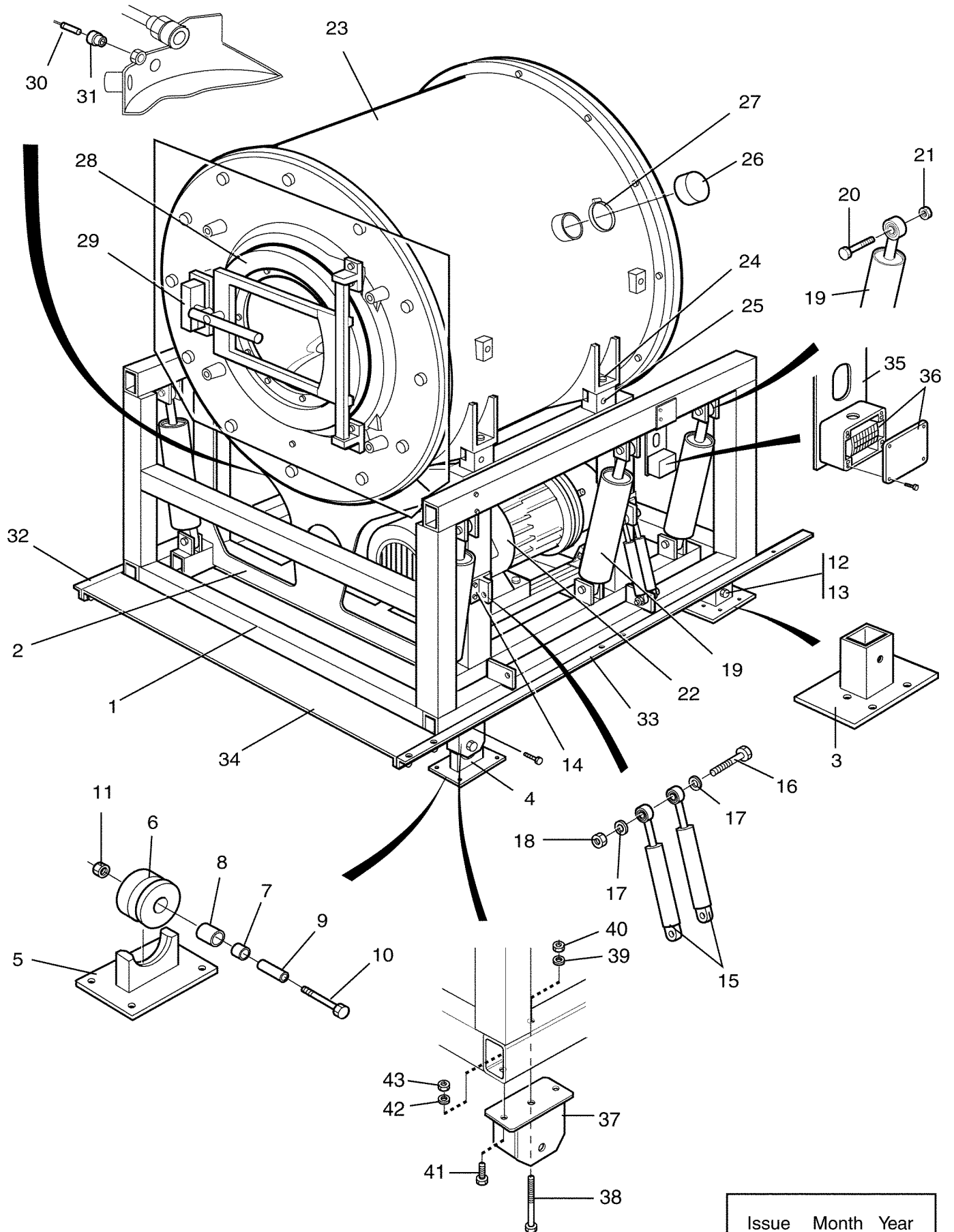
EX-200c

Panels

Plaques

Illustration Issue Month Year  
Schéma Issue Month Year  
101481/1 5 10 2000

Item Article	Qua Qua	Art.No Réf. article	Description	Description	Info Info	Notes Remarques
29	1	432 0432-03	Cover plate	Couvercle	3	Grey
	1	471 7714-01	Type plate	Numéro série plaque	3	FLE850MP
	1	471 7714-02	Type plate	Numéro série plaque	3	EX200c
30	21	432 0117-01	Rubber guide	Rubber guide	3	
31	3	432 0443-01	Spacer	Entretoise	3	
32	3	725 2451-51	Screw	Vis	3	M6S 8X20
33	1	471 6843-01	Cover plate	Couvercle	3	
	1	471 6843-02	Cover plate	Couvercle	3	Stainless
	1	471 6843-04	Cover plate	Couvercle	3	Grey



101496

Issue	Month	Year
03	07	99

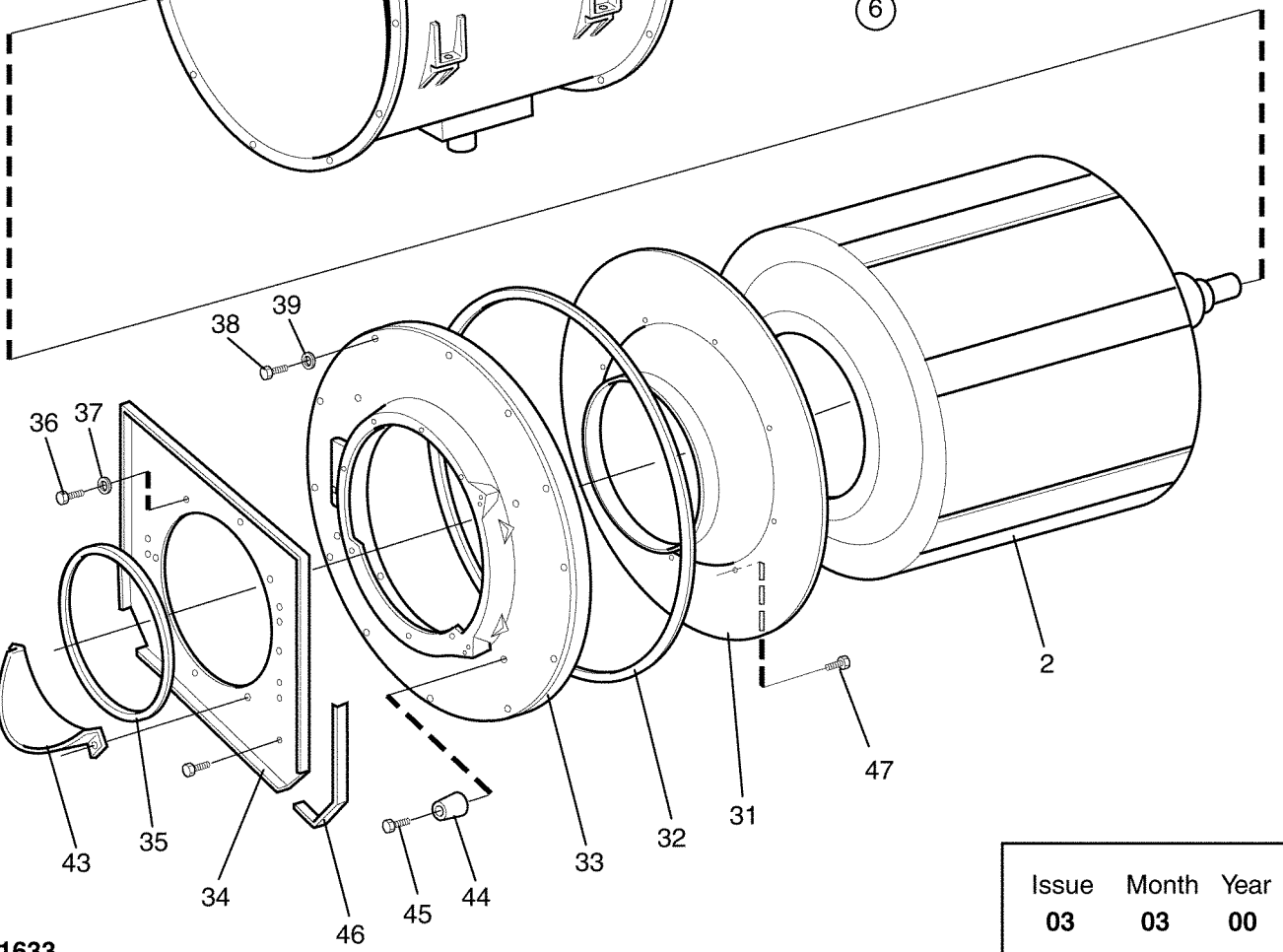
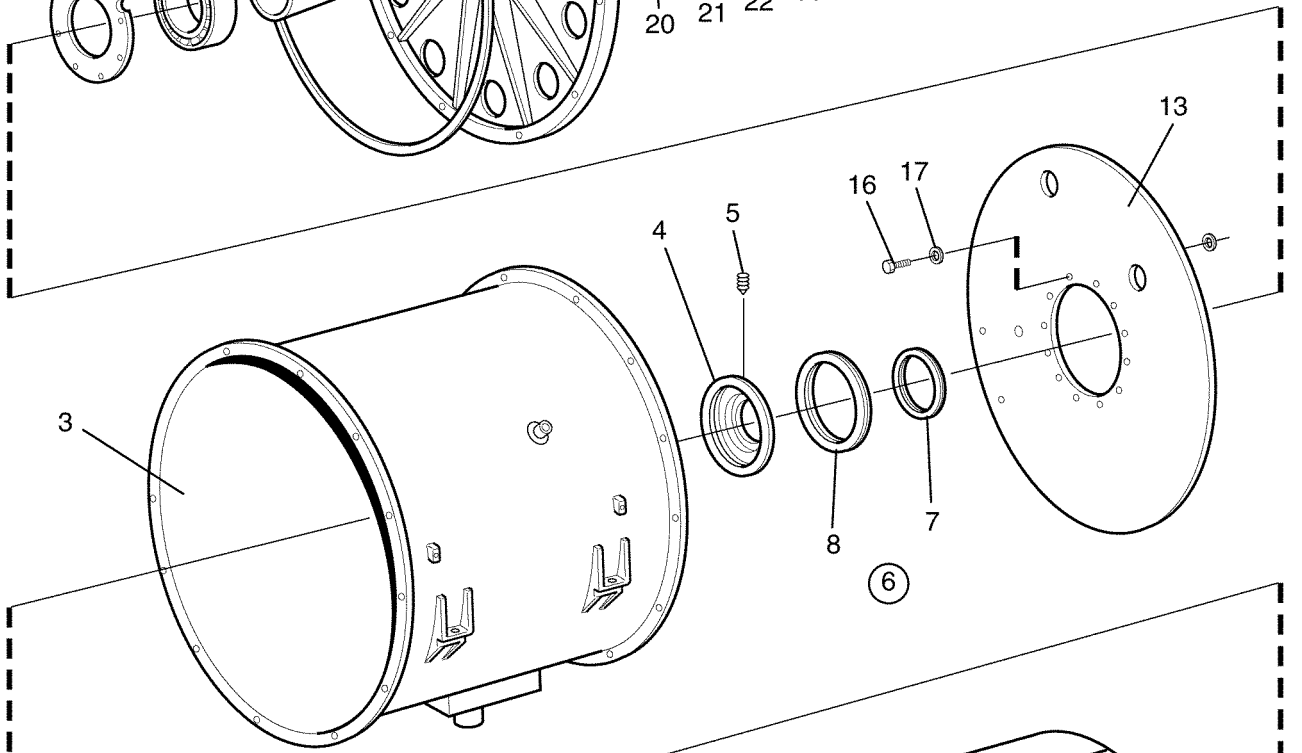
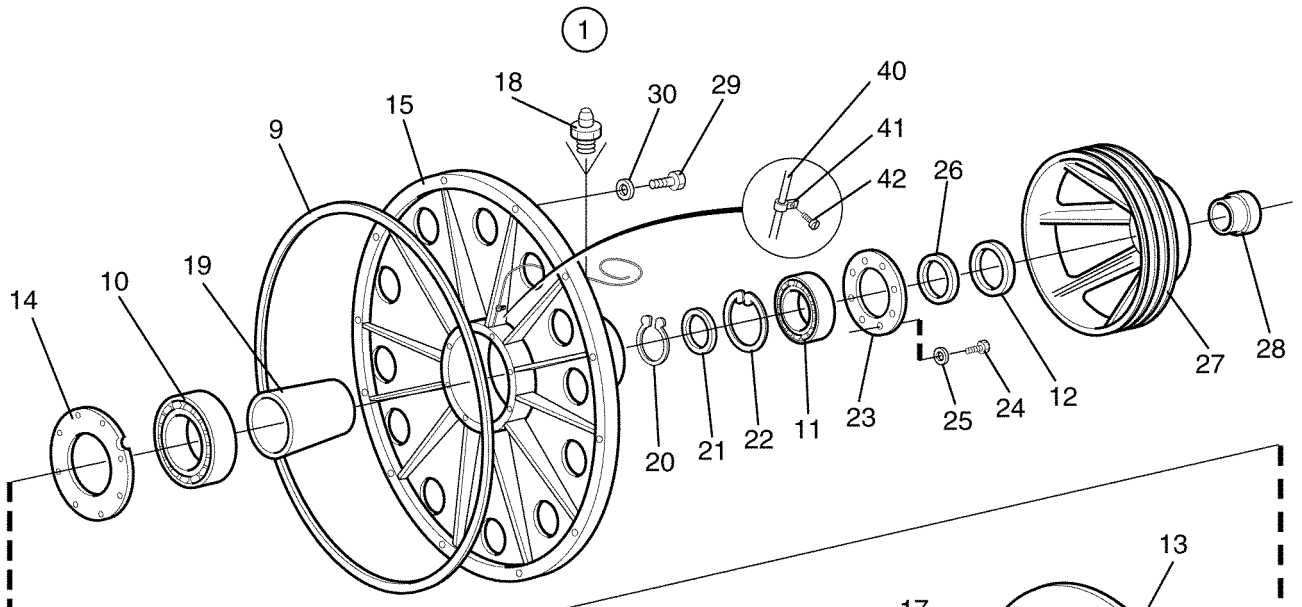
EX-200c

Frame

Base

Illustration Issue Month Year  
Schéma Issue Month Year  
101496/1 2 11 2000

Item Article	Qua Qua	Art.No Réf. article	Description	Description	Info Info	Notes Remarques
1	1	472 6921-04	Outer frame	Châssis extérieur	3	
2	1	472 6920-01	Inner frame	Inner frame	3	
3	RQ	472 6817-01	Foot	Pied	1	
4	RQ	472 6818-03	Foot	Pied	1	Complete
5	RQ	472 6812-01	•Bracket	•Support de montage	1	
6	RQ	472 6810-01	•Wheel	•Roue	1	
7	RQ	471 8576-03	•Bushing	•Douille	1	20/28X20
8	RQ	471 8576-04	•Bushing	•Douille	1	20/28X30
9	RQ	472 6814-01	•Bushing	•Douille	1	
10	RQ	725 2640-51	•Screw	•Vis	3	M6S 16X100
11	RQ	732 2124-01	•Locking nut	•Contre-écrou	3	M16
12	RQ	725 2636-51	Screw	Vis	3	M6S 16X80
13	RQ	732 2124-01	Locking nut	Contre-écrou	3	M16
14	4	471 4641-26	Bracket	Support de montage	3	
15	8	471 9043-21	Shock absorber	Amortisseur	1,2	
16	8	725 2507-51	Screw	Vis	3	M6S 10X80
17	8	734 1173-01	Washer	Rondelle	3	BRB 10,5X21
18	8	732 2120-01	Locking nut	Contre-écrou	3	M10
19	6	471 4108-79	Spring strut	Pied à ressorts	1	
20	12	725 2632-51	Screw	Vis	3	M6S 16X60
21	12	732 2124-01	Locking nut	Contre-écrou	3	M16
22			Motors	Moteurs		
23		472 6934-10	Outer drum	Extérieur du tambour		
24	4	725 2628-51	Screw	Vis	3	M6S 16X40
25	4	725 5493-01	Screw	Vis	3	MC6S 10X25
26	1	471 2409-89	Hood	Capot	3	
27	1	736 2840-51	Hose clamp	Pince de tuyau flexible	3	Ø50-63
28	1	432 0034-01	Door	Plaque		
29	1	432 0170-01	Door locking device	Serrure de porte		
30	1	472 9913-22	Sensor	Capteur	1,2	Complete
31	1	471 8192-01	•Bushing	•Douille	3	
32	1	432 0406-01	Angular support	Support angulaire	3	Left
33	1	432 0406-02	Angular support	Support angulaire	3	Right
34	1	432 0416-01	Shelf	Tablette	3	Front
35	1	432 0422-01	Bracket	Pupitre	3	
36	1	432 0066-01	Connection box	Boîte de connexion	3	
37	RQ	432 0008-01	Foot	Pied	3	Upper part, fixed/tilting
	RQ	432 0008-03	Foot	Pied	3	Upper part, weighing device
38	4	725 2556-51	Screw	Vis	3	M12x120
	4	725 2538-51	Screw	Vis	3	M6S 12X35 Weighing device
39	4	734 1178-01	Washer	Rondelle	3	BRB 13X24
40	4	732 2222-01	Nut	Écrou	3	
41	4	725 2493-51	Screw	Vis	3	M6S 10X25
42	4	734 1173-01	Washer	Rondelle	3	BRB 10,5X21
43	4	732 2120-01	Locking nut	Contre-écrou	3	M10



Issue	Month	Year
03	03	00

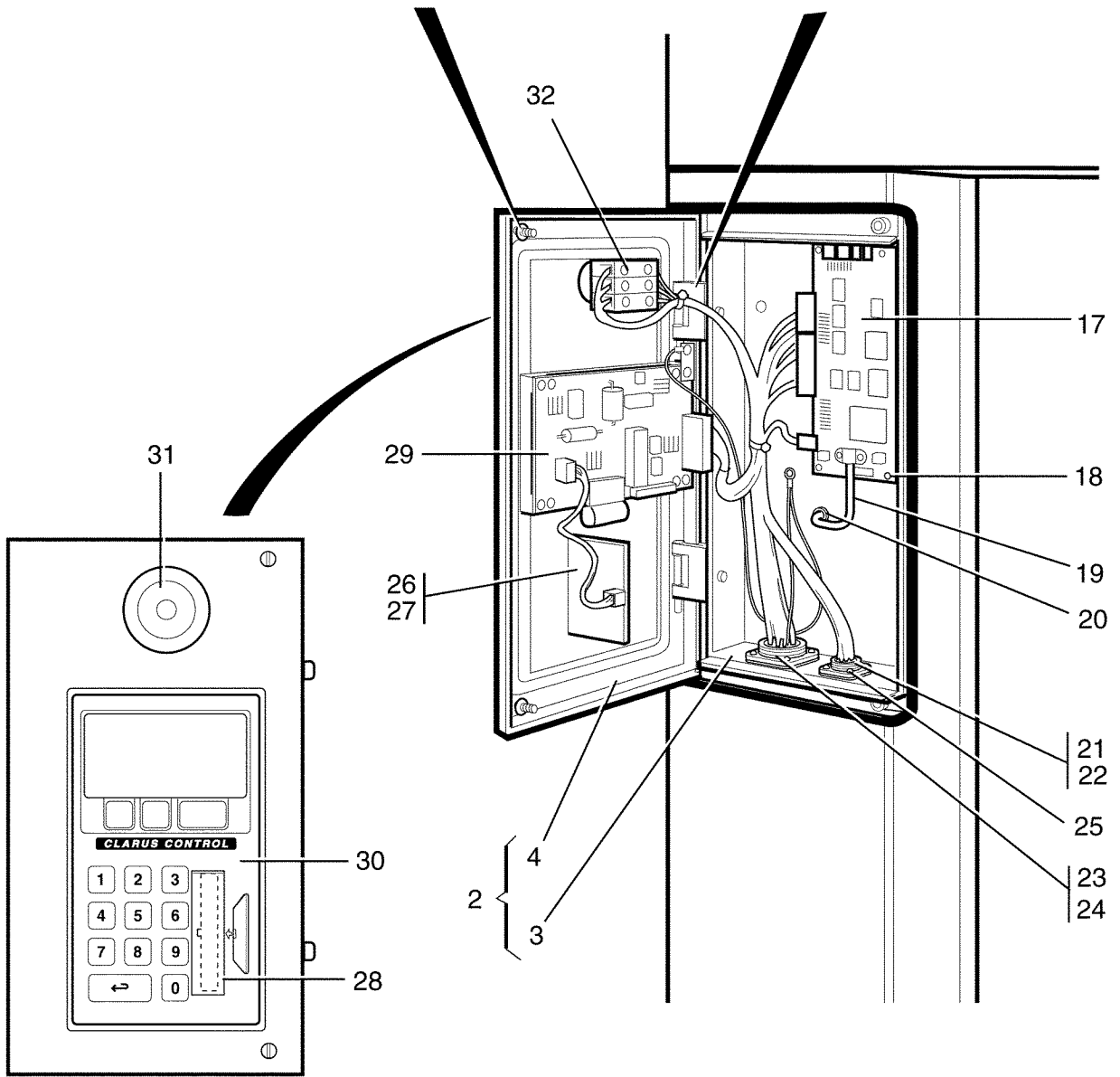
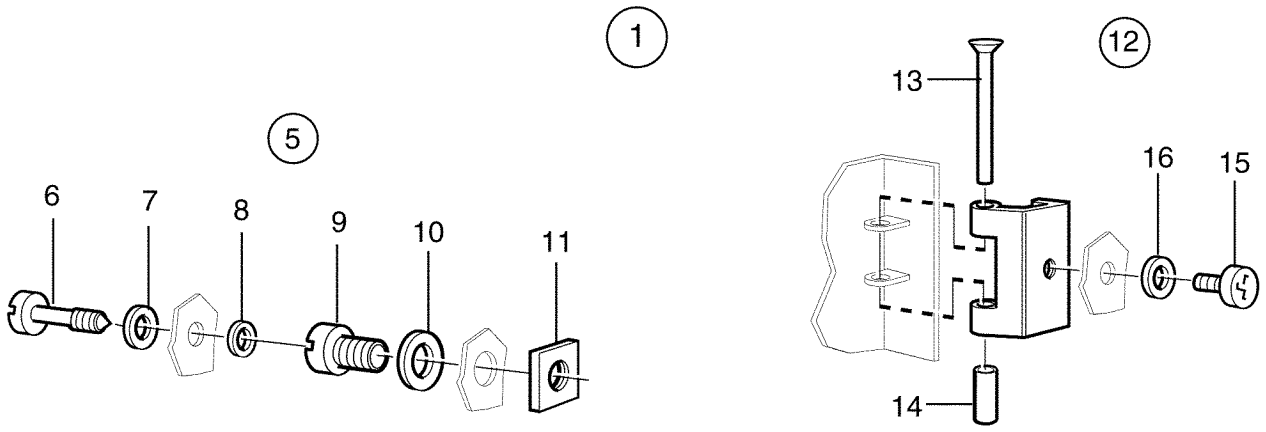
EX-200c

Inner and outer drum complete

Tambour intérieur et extérieur complet

Illustration Issue Month Year  
Schéma Issue Month Year  
101633/2 2 3 2000

Item Article	Qua Qua	Art.No Réf. article	Description	Description	Info Info	Notes Remarques
1	1	472 6934-10	Outer drum	Extérieur du tambour	3	Complete
2	1	472 6927-01	•Inner drum	•Intérieur du tambour	3	
3	1	472 6936-10	•Outer drum	•Extérieur du tambour	3	
4	1	472 6916-01	•Bracket	•Pièce de retenue	1	
5	1	728 8362-01	•Screw	•Vis	3	SK6SS 6X8
6	1	471 6668-98	•Bearing set	•Jeu de coussinets	1	
7	1		••V-ring	••Anneau en forme de V		
8	1		••V-ring	••Anneau en forme de V		
9	1	471 8155-02	••Gasket	••Bande de garniture	1	
10	1		••Roller bearing	••Roulements à galets		
11	1		••Roller bearing	••Roulements à galets		
12	1		••V-ring	••Anneau en forme de V		
	RQ	874 7601-08	••Lubricating grease	••Lubrifiant solide		
13	1	472 6932-10	•Cover plate	•Plaque recouvrement	1	
14	1	472 6954-01	•Plate	•Plaque	3	
15	1	472 6908-01	•End piece	•Pignon	3	
16	8	725 2451-42	•Screw	•Vis	3	M6S 8X20
17	16	734 1164-09	•Washer	•Rondelle	3	BRB 8,4X17
18	2	738 8810-01	•Nipple	•Raccord	1	
19	1	472 6930-01	•Sleeve	•Manchon	3	
20	1	735 3179-00	•C-clamp	•Presse à main	3	SGA16
21	1	472 6931-01	•Ring	•Anneau	3	
22	1	735 3187-10	•C-clamp	•Presse à main	3	SGH200
23	1	472 6929-01	•Bearing cover	•Chapeau de palier	3	
24	8	725 2491-51	•Screw	•Vis	3	M6S 10X20
25	8	734 1173-09	•Washer	•Rondelle	3	BRB 10,5X21
26	1	471 8551-04	•Sleeve	•Manchon	1	
27	1	472 6909-01	•Pulley	•Poulie	1	
28	1	471 8552-00	•Bushing	•Douille	1	
29	12	725 2634-51	•Screw	•Vis	3	M6S 16X70
30	12	734 1186-01	•Washer	•Rondelle	3	BRB 17X30
31	1	472 6910-01	•End piece	•Pignon	1	FRONT
32	1	471 8155-02	•Gasket	•Bande de garniture	1	
33	1	472 6917-10	•End piece	•Pignon	3	
34	1	472 6924-10	•Front panel	•Panneau avant	3	
35	1	471 2426-54	•Rubber strip	•Joint caoutchouc	1	
36	8	725 2451-42	•Screw	•Vis	3	M6S 8X20
37	16	734 1164-09	•Washer	•Rondelle	3	BRB 8,4X17
38	12	725 2636-51	•Screw	•Vis	3	M6S 16X80
39	12	734 1186-01	•Washer	•Rondelle	3	BRB 17X30
40	1	471 8625-02	•Pipe	•Tube	3	
41	2	471 4605-30	•Clamp	•Attache	3	
42	2	725 2325-51	•Screw	•Vis	3	M6S 5X10
43	1	432 0030-01	Unloading plate	Unloading plate	3	
44	4	432 0465-04	Spacer	Entretoise	3	
45	4	725 2464-42	Screw	Vis	3	M8X65
46	RQ	438 4273-11	Rubber strip	Joint caoutchouc	3	
47	8	725 6491-42	Screw	Vis	3	MF6S 10X20



Issue	Month	Year
02	10	98

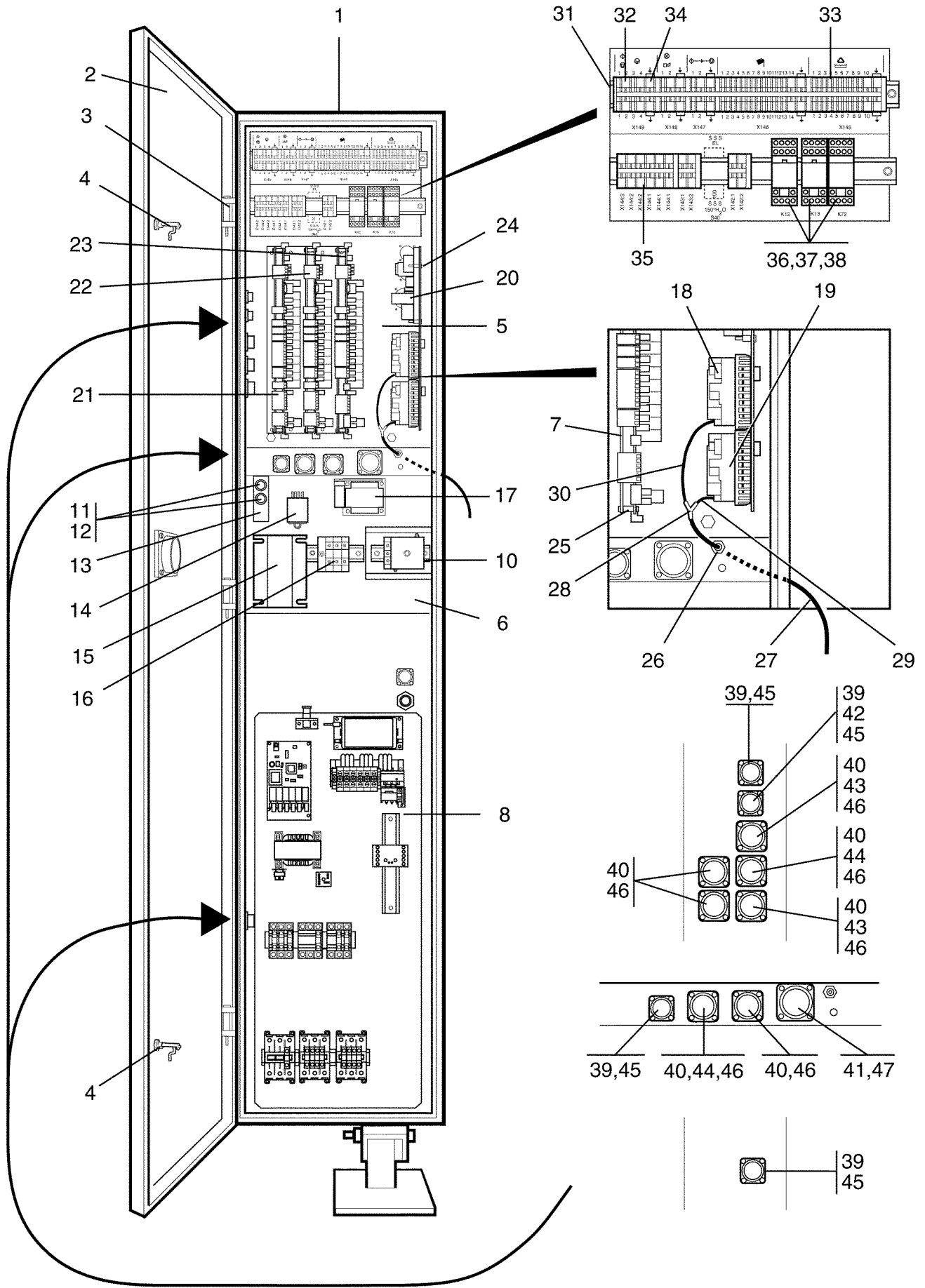
EX-200c

Electric cabinet, front

Armoire électrique, avant

Illustration Issue Month Year  
Schéma Issue Month Year  
101618/1 3 10 2000

Item Article	Qua Qua	Art.No Réf. article	Description	Description	Info Info	Notes Remarques
1	1		Plate	Plaque	3	
2	1	432 0173-01	•Box	•Boîtier	3	
3	1	432 0146-01	••Box	••Boîtier	3	
4	1	432 0143-01	••Door	••Porte	3	
5	2	471 8362-01	••Bracket	••Support de montage	3	
6	2	471 8362-10	•••Screw	•••Vis	3	
7	2	471 8362-20	•••Washer	•••Rondelle	3	
8	2	471 8362-30	•••Washer	•••Rondelle	3	
9	2	471 8362-40	•••Nut	•••Écrou	3	
10	2	471 8362-50	•••Washer	•••Rondelle	3	
11	2	471 8362-60	•••Nut	•••Écrou	3	
12	2	471 7837-01	••Hinge	••Charnière	3	
13	2	471 7837-30	•••Pin	•••Goupille/broche	3	
14	2	471 7837-40	•••Safety cover	•••Revêtement protection	3	
15	2	471 7837-50	•••Screw	•••Vis	3	
16	2	471 7837-60	•••Nut	•••Écrou	3	
17	1	471 8993-01	Printed circuit board	Circuit imprimé	1,2	Not configured
	1	432 0801-01	Printed circuit board	Circuit imprimé	1,2	Steam heated, English
	1	432 0801-03	Printed circuit board	Circuit imprimé	1,2	Steam heated, Norwegian
	1	432 0801-04	Printed circuit board	Circuit imprimé	1,2	Steam heated, French
	1	432 0801-05	Printed circuit board	Circuit imprimé	1,2	Steam heated, Italian
18	4	471 8341-13	Screw	Vis	3	MRT 4X10
19	1	471 8118-01	Hose	Flexible	1	
20	1	471 8164-00	Grommet	Oeillet	3	D7
21	1	438 7300-40	Cable set	Jeu de câbles	3	
22	1	438 8152-03	Gasket	Joint	3	4-pole AMP
23	1	438 8152-01	Gasket	Joint	3	37-pole AMP
24	1	438 8152-01	Gasket	Joint	3	37-pole AMP
25	8	471 8454-01	Rivet	Rivet	3	
26	1	471 8793-01	Card reader	Lecteur de carte	1	
27	1	432 0150-01	Bracket	Pièce de retenue	3	
28	1	432 0149-01	Rubber cap	Capuchon caoutchouc	3	
29	1	471 8997-02	Display	Ecran de contrôle	1,2	
30	1	472 5771-01	Control panel	Pupitre de commande	1,2	EX200c
31	1	471 9628-22	Emergency stop	Arrêt d'urgence	1	-99/127
	1	471 9628-32	Emergency stop	Arrêt d'urgence	1	99/128-
32	1	471 9628-90	Socket	Bloc de connexion	1	-99/127
	1	471 9628-33	Contact block	Bloc de connexion	1	99/128-



Issue	Month	Year
01	06	99



EX-200c

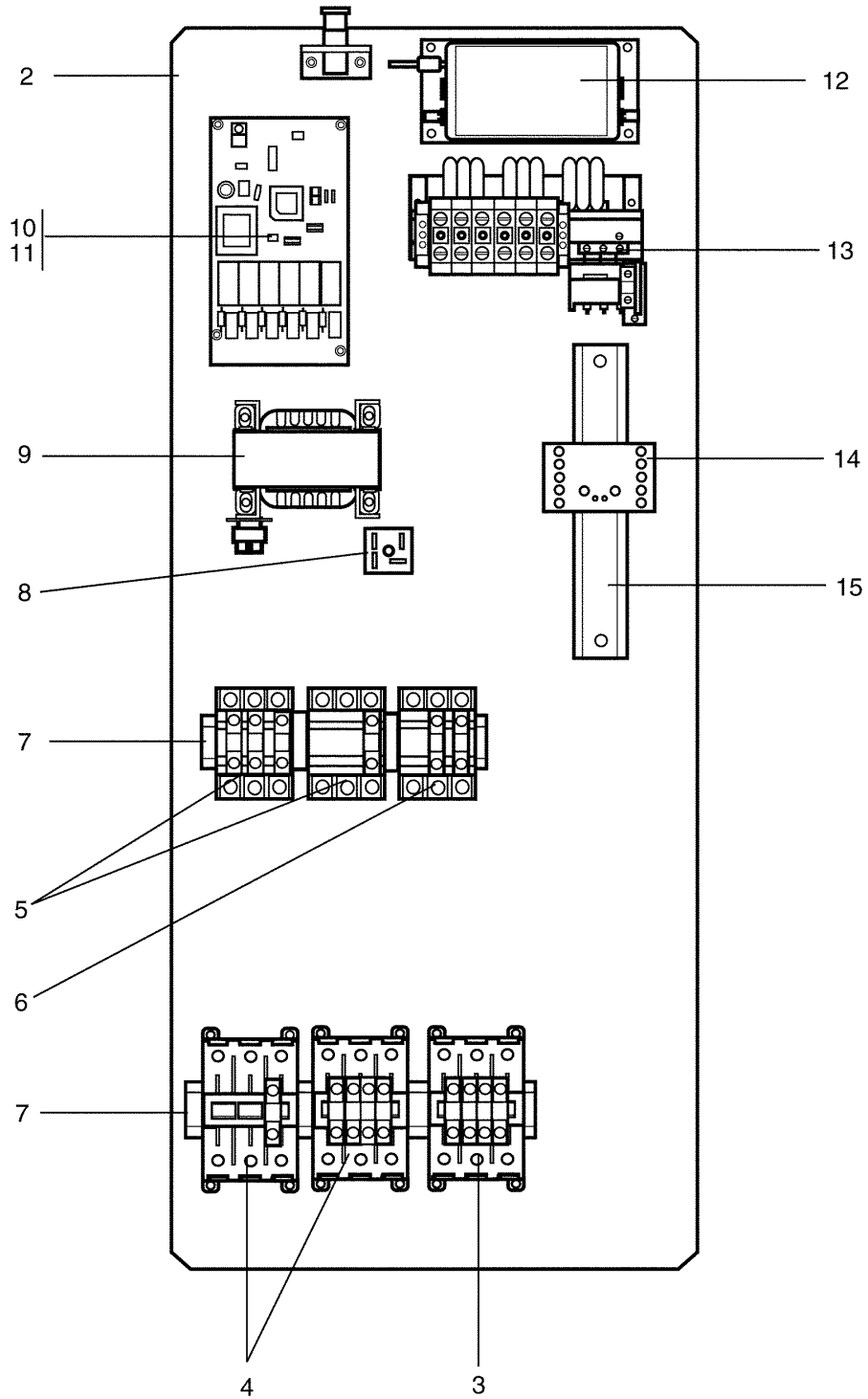
Electric cabinet, rear

Armoire électrique, arrière

Illustration Issue Month Year  
Schéma Issue Month Year  
101628/1 3 11 2000

Item Article	Qua Qua	Art.No Réf. article	Description	Description	Info Info	Notes Remarques
1	1		Electric cabinet	Passage de câbles	3	Complete
2	1	432 0414-01	•Door	•Porte	3	Complete
	1	432 0414-03	•Door	•Porte	3	Grey Complete
3	2	472 7264-01	••Hinged joint	••Assemblage articulé	3	
4	2	471 7830-01	••Lock	••Serrure	3	
5	1	432 0137-01	Component panel	Panneau composants	3	
6	1	432 0138-01	Component panel	Panneau composants	3	
7	4	432 0142-01	Bracket	Support de montage	3	
8	1		Motor module	Motor module		
9						Not used
10	1	471 9678-33	Main switch	Main switch	1,2	230V
	1	471 9678-93	•Knob	•Bouton	3	
	1	471 9678-62	Main switch	Main switch	1,2	380-440V
	1	471 9678-95	•Knob	•Bouton	3	
11	2	471 8750-11	Fuse	Porte-fusible	1,2	1,25A
12	2	471 8756-51	Insert	Insertion	1,2	5X20MM
13	1	471 4074-01	Fuse holder	Porte-fusible	1,2	
14	1	471 9529-10	Mains filter	Filtre de filet	1,2	208-240V 3AC 60Hz
15	1	471 9550-21	Transformer	Transformateur	1	200,230V
	1	471 9550-22	Transformer	Transformateur	1	346,440,480V
16	1	471 8762-04	Terminal connection	Bloc de connexion	3	
17	1	471 8792-01	Transformer	Transformateur	1	
18	1	471 8859-07	Level control	Réglage de niveau	1,2	B1
19	1	471 8859-01	Level control	Réglage de niveau	1,2	B2
20	1	438 9555-01	Printed circuit board	Circuit imprimé	1,2	Door lock B31
21	1	471 8995-01	Printed circuit board	Circuit imprimé	1,2	I/O-card Configured A3
22	1	471 8995-01	Printed circuit board	Circuit imprimé	1,2	I/O-card Configured Not configured
	1	471 8995-02	Printed circuit board	Circuit imprimé	1,2	I/O-card Configured A4
23	1	471 8995-01	Printed circuit board	Circuit imprimé	1,2	I/O-card Configured Not configured
	1	471 8995-03	Printed circuit board	Circuit imprimé	1,2	I/O-card A5
24	4	471 7958-01	Support	Support	3	
25	12	438 0299-01	Spacer	Entretoise	3	
26	1	471 8164-00	Grommet	Oeillet	3	D7
27	1	471 2440-40	Hose	Flexible	1	
28	1	471 2265-69	T-pipe	Tube en T	3	
29	1	471 2449-95	Hose	Flexible	1	L=100
30	1	471 2264-03	Hose	Flexible	1	
31	10	471 8781-11	Block	Cale	3	Orange
32	10	471 8781-01	Block	Cale	3	Grey
33	28	471 8781-02	Block	Cale	3	Orange
34	5	471 8781-03	Block	Cale	3	Yellow/Green
35	5	471 8781-04	Block	Cale	3	Orange
36	3	471 9649-01	Relay	Relais	1,2	
37	3	471 9649-02	Socket	Douille	1,2	
38	3	471 9649-11	Clamp	Bride de fixation	1,2	
39	5	438 8152-03	Gasket	Joint	3	4-pole AMP
40	7	438 8152-02	Gasket	Joint	3	14-pole AMP
41	1	438 8152-01	Gasket	Joint	3	37-pole AMP
42	1	438 7950-01	Cover washer	Rondelle protection	3	4-pole
43	2	438 7950-02	Cover washer	Rondelle protection	3	14-pole
44	2	432 0175-01	Cover washer	Rondelle protection	3	14-pole
45	5		AMP connector	AMP connector	3	4-pole
46	7		AMP connector	AMP connector	3	14-pole
47	1		AMP connector	AMP connector	3	37 pole

1



Issue	Month	Year
01	06	99

EX-200c

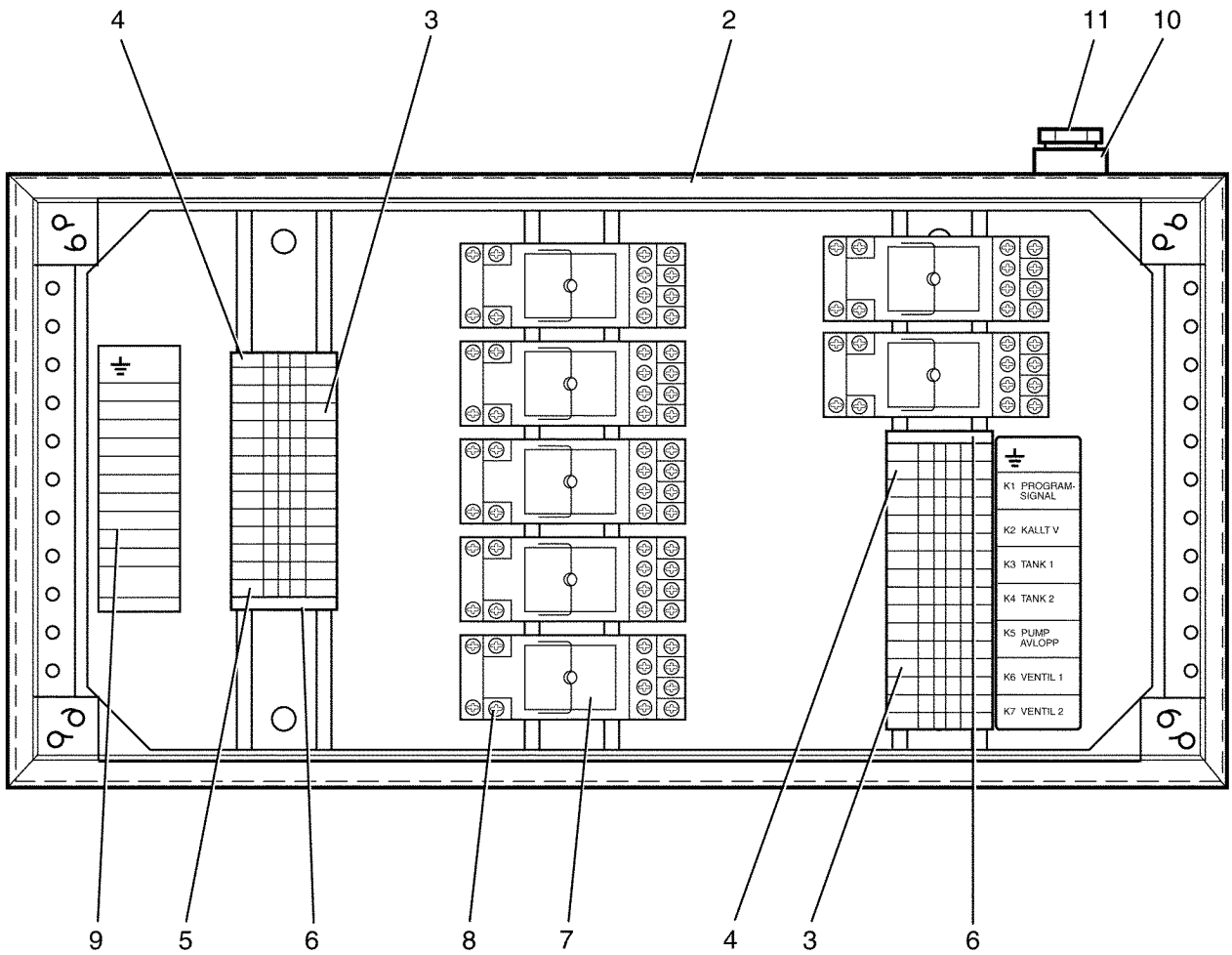
Motor module

Motor module

Illustration Issue Month Year  
Schéma Issue Month Year  
101616/1 1 3 2000

Item Article	Qua Qua	Art.No Réf. article	Description	Description	Info Info	Notes Remarques
1	1	432 0460-01	Motor module	Motor module	3	230V 50Hz Complete
	1	432 0460-03	Motor module	Motor module	3	230V 60Hz Complete
	1	432 0460-02	Motor module	Motor module	3	400V 50Hz Complete
	1	432 0460-04	Motor module	Motor module	3	400V 60Hz Complete
2	1	471 9638-01	•Component panel	•Panneau composants	3	
3	1	471 9638-14	•Contactor	•Relais	1,2	50Hz K2-45
	1	471 9638-13	•Contactor	•Relais	1,2	60Hz K2-45
	1	767 5104-12	•Contactor 50Hz	•Relais,50Hz	1,2	
	1	767 5103-12	•Contactor	•Relais	3	60Hz
4	2	471 9638-04	•Contactor	•Relais	1,2	K2-60A, 50Hz
	2	471 9638-03	•Contactor	•Relais	1,2	K2-60A, 60Hz
	2	767 5104-18	•Contactor	•Relais	1,2	K2-30A, 50Hz
	2	767 5103-18	•Contactor	•Relais	1,2	K2-30A, 60Hz
5	2	767 5104-12	•Contactor 50Hz	•Relais,50Hz	1,2	
	2	767 5103-12	•Contactor	•Relais	1,2	60Hz
6	1	767 5104-18	•Contactor	•Relais	1,2	K2-30A, 50Hz
	1	767 5103-18	•Contactor	•Relais	1,2	K2-30A, 60Hz
	1	767 5104-12	•Contactor 50Hz	•Relais,50Hz	1,2	
	1	767 5103-12	•Contactor	•Relais	1,2	60Hz
7	RQ	471 7182-14	•Rail	•Support	3	
8	1	471 9577-01	•Rectifier	•Redresseur	1,2	
9	1	471 9550-05	•Transformer	•Transformateur	1	
10	1	471 8992-12	•Printed circuit board	•Circuit imprimé	1,2	
11	4	471 7958-01	•Support	•Support	3	
12	1	471 9529-06	•LC-filter	•Filtre LC	1	
13	1	471 9604-03	•Mains current breaker	•Disjoncteur	1	200-240V
	1	471 9604-00	•Mains current breaker	•Disjoncteur	1	380-415V
14	1	471 9751-01	•Soft start	•Démarrage en douceur	1	220V
	1	471 9751-02	•Soft start	•Démarrage en douceur	1	380V
15	1	471 7182-14	•Rail	•Support	3	

1



101795

Issue	Month	Year
01	04	00

EX-200c

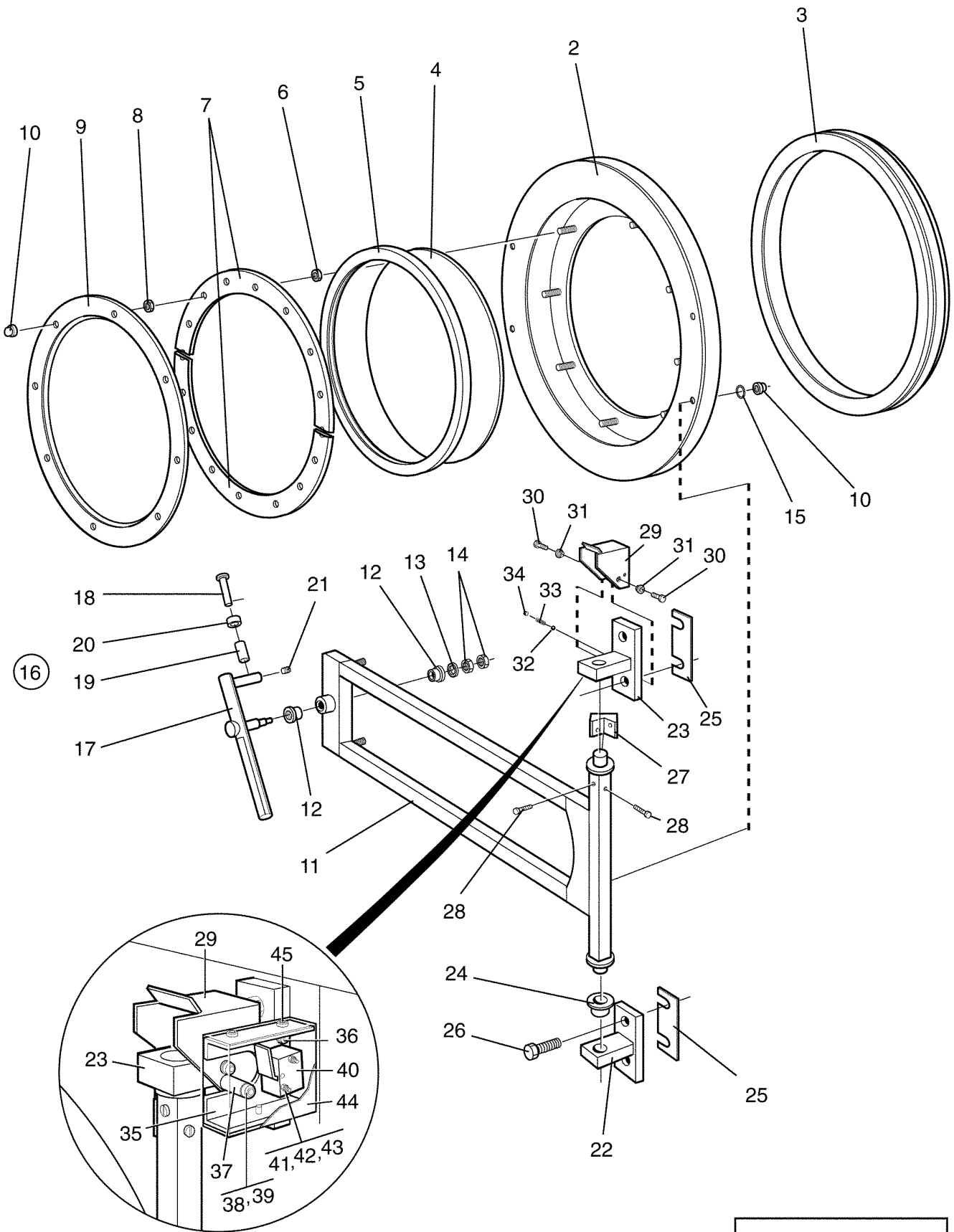
Relay box

Relay box

Illustration Issue Month Year  
Schéma Issue Month Year  
101795/1 1 4 2000

Item Article	Qua Qua	Art.No Réf. article	Description	Description	Info Info	Notes Remarques
1	1	471 7912-01	Relay box	Relay box	3	Complete
2	1	471 7911-01	•Box	•Boîtier	3	
3	24	471 8781-02	•Block	•Cale	3	Orange
4	2	471 8781-03	•Block	•Cale	3	Yellow/Green
5	1	471 8781-01	•Block	•Cale	3	Grey
6	2	471 8781-11	•Block	•Cale	3	
7	7	471 9649-01	•Relay	•Relais	1,2	
8	7	471 9649-02	•Socket	•Douille	1,2	
9	1	438 0268-01	•Sign	•Signe	3	
10	2	471 8780-05	•Screw fitting	•Vis de raccord	3	
11	1	438 7300-86	•Cables	•Câble	3	

1



16

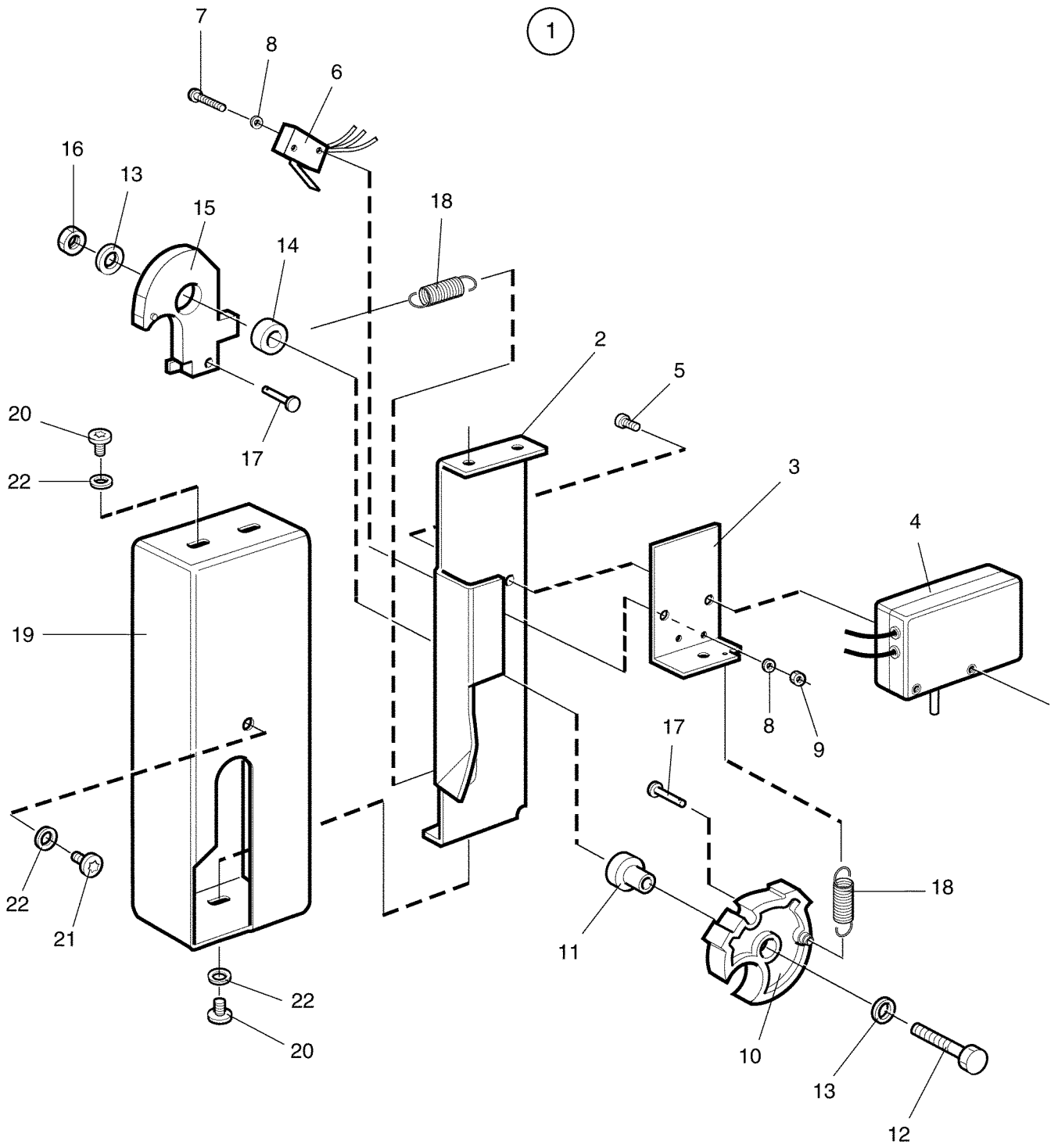
EX-200c

Door

Plaque

Illustration Issue Month Year  
Schéma Issue Month Year  
101426/1 2 10 2000

Item Article	Qua Qua	Art.No Réf. article	Description	Description	Info Info	Notes Remarques
1	1	432 0034-01	Door	Plaque	3	Complete
2	1	471 5516-03	•Door ring	•Anneau de la porte	3	
3	1	471 5631-00	•Door gasket	•Joint de la porte	1,2	
4	1	432 0113-01	•Door glass	•Vitre de la porte	1,2	
5	1	471 5511-01	•Seal	•Joint	1	
6	16	471 5523-00	•Spacer	•Entretoise	3	
7	1	438 4832-01	•Washer	•Rondelle	3	
8	16	731 2316-01	•Nut	•Écrou	3	M6M6
9	1	471 5525-01	•Ring	•Anneau	3	
10	16	732 3116-14	•Nut	•Écrou	3	M6
11	1	472 6208-00	•Frame	•Châssis	3	
12	2	471 9228-98	•Bearing	•Coussinet	1	
13	1	471 2461-40	•Washer	•Rondelle	3	
14	1	732 2120-01	•Locking nut	•Contre-écrou	3	M10
15	4	734 1153-09	•Washer	•Rondelle	3	BRB 6,4X12
16	1	432 0029-01	•Handle	•Poignée	3	Complete FLE-MP
17	1	432 0028-01	••Handle	••Poignée	3	FLE-MP
18	1	471 2461-25	••Pin	••Goupille	1	FLE-MP
19	1	471 2461-27	••Pipe	••Tube	3	FLE-MP
20	1	471 9228-97	••Bearing	••Coussinet	3	
21	1	728 8445-01	••Screw	••Vis	3	SK6SS 8X10
22	1	472 6211-00	Bracket	Support de montage	3	
23	1	472 9375-01	Hinge mounting	Montage de charnière	3	
24	2	471 9209-24	Bearing	Coussinet	1	
25	2	471 2418-14	Plate	Plaque	3	
26	4	725 2536-42	Screw	Vis	3	M6S 12X30 SS
27	1	472 9373-01	Door stop	Butée	3	
28	2	471 8344-28	Screw	Vis	3	M5X30
29	1	472 9361-01	Cover	Couvercle	3	
30	2	725 2327-51	Screw	Vis	3	M6S 5X12
31	2	471 8577-02	Bushing	Douille	3	
32	1	738 6117-13	Ball	Bille	3	
33	1	471 7803-19	Spring	Ressort	3	
34	1	728 8362-11	Screw	Vis	3	
35	1	432 0151-01	Bracket	Support de montage	3	
36	2	471 8341-22	Screw	Vis	3	MRT 5X8
37	1	432 0153-01	Pin	Goupille/broche	3	
38	1	471 8341-17	Screw	Vis	3	MRT 4X25
39	1	734 1136-01	Washer	Rondelle	3	BRB 4,3X9
40	1	471 9625-02	Microswitch	Microrupteur	1,2	
41	2	471 8341-07	Screw	Vis	3	MRT 3X25
42	2	734 1124-01	Washer	Rondelle	3	BRB 3X7
43	2	732 2110-01	Locking nut	Contre-écrou	3	M3
44	1	432 0152-01	Cover	Couvercle	3	
45	3	471 8341-13	Screw	Vis	3	MRT 4X10



101487

Issue	Month	Year
02	02	98



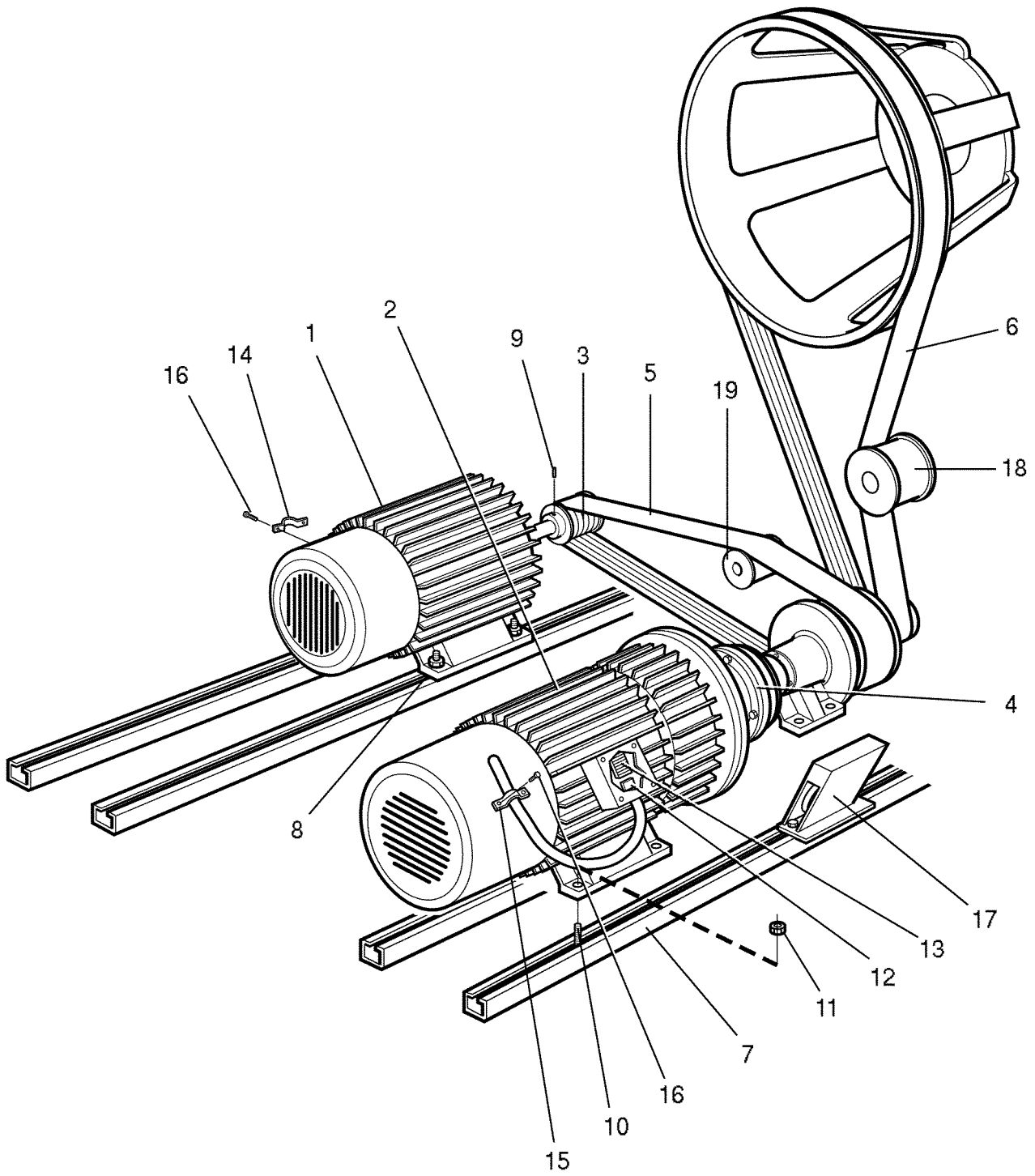
EX-200c

Door lock

Serrure de porte

Illustration Issue Month Year  
Schéma Issue Month Year  
101487/1 2 3 2000

Item Article	Qua Qua	Art.No Réf. article	Description	Description	Info Info	Notes Remarques
1	1	432 0170-01	Door locking device	Serrure de porte	1	Complete
2	1	432 0158-01	•Bracket	•Pupitre	3	
3	1	432 0159-01	•Plate	•Plaque	3	
4	1	438 7300-43	•Actuator	•Actuateur	1,2	
5	2	471 8341-24	•Screw	•Vis	3	MRX 5X12
6	1	471 9625-03	•Microswitch	•Microrupteur	1,2	
7	2	471 8341-07	•Screw	•Vis	3	MRT 3X25
8	2	734 1124-01	•Washer	•Rondelle	3	BRB 3X7
9	2	732 2110-01	•Locking nut	•Contre-écrou	3	M3
10	1	432 0161-01	•Wheel	•Roue	1	
11	1	471 7477-01	•Shaft	•Arbre	1	
12	1	725 2461-51	•Screw	•Vis	3	M8X50
13	2	471 8502-14	•Washer	•Rondelle	3	BRB 8,4X17
14	1	471 7476-01	•Bushing	•Douille	3	
15	1	432 0164-01	•Cam	•Came	1	
16	1	731 2318-01	•Nut	•Écrou	3	M6M8
17	2	471 7976-01	•Bolt	•Boulon	3	
18	2	471 7876-01	•Spring	•Ressort	1	
19	1	432 0167-01	•Cover	•Couvercle	3	
20	3	471 8344-24	•Screw	•Vis	3	M5X12
21	1	471 8345-23	•Screw	•Vis	3	5X10
22	4	734 1146-09	•Washer	•Rondelle	3	BRB 5,3X10



101497

Issue	Month	Year
03	03	00

EX-200c

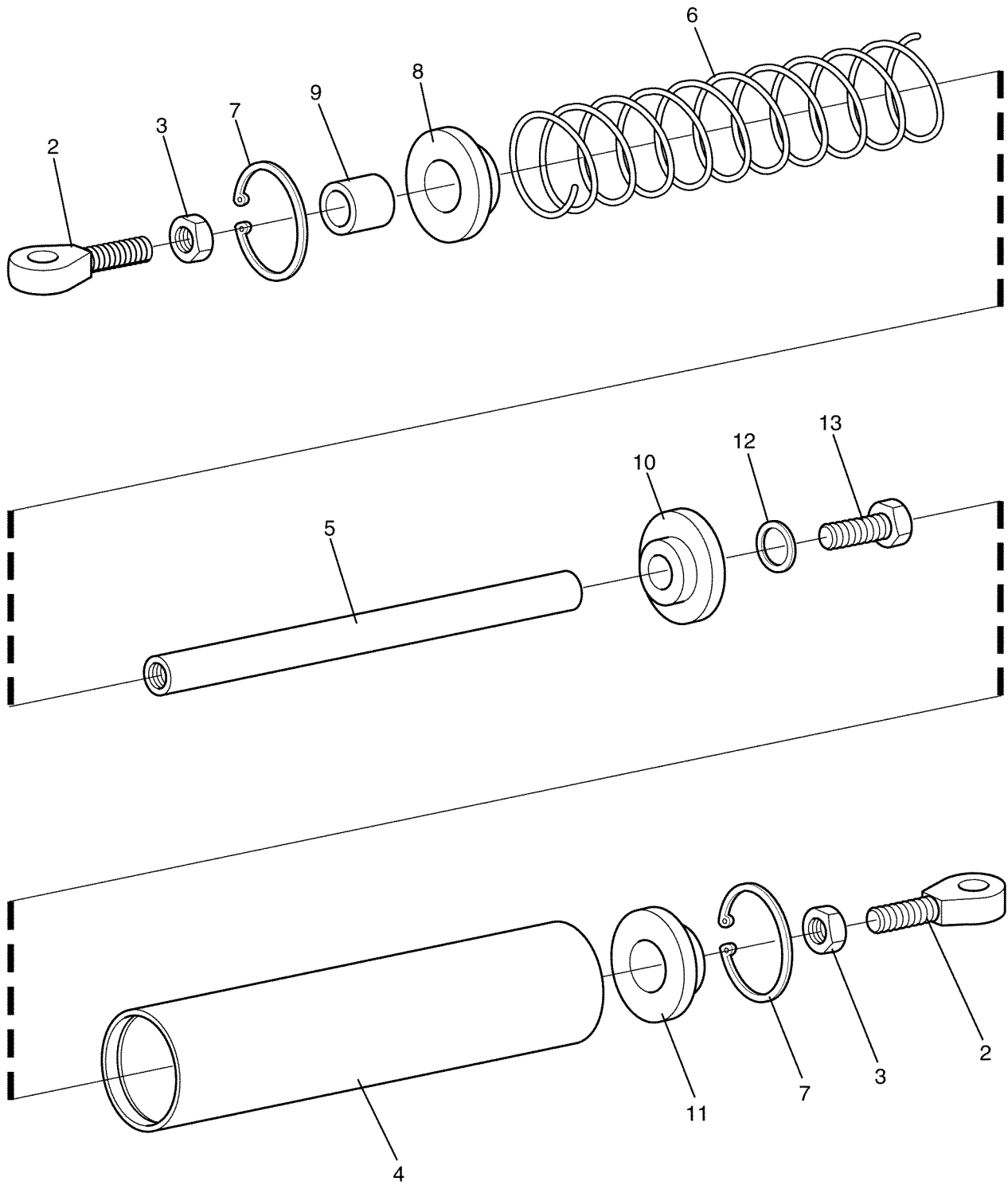
Motors

Moteurs

Illustration Issue Month Year  
Schéma Issue Month Year  
101497/1 1 3 2000

Item Article	Qua Qua	Art.No Réf. article	Description	Description	Info Info	Notes Remarques
1	1	471 9228-37	Motor	Moteur	1,2	220V 3~50Hz
	1	471 9223-93	Motor	Moteur	1,2	380-415V 3N~50Hz
	1	471 9228-38	Motor	Moteur	1,2	208-240V 3AC 60Hz
	1	471 9737-02	Motor	Moteur	1,2	380V 60Hz,
2	1	471 9228-39	Motor	Moteur	1,2	220V 3~50Hz
	1	471 9223-94	Motor	Moteur	1,2	380-415V 3N~50Hz
	1	471 9228-40	Motor	Moteur	1,2	208-240V 3AC 60Hz
	1	471 9737-01	Motor	Moteur	1,2	380V 60Hz,
3	1	471 4231-01	Pulley	Poulie	1	
4	1	472 6914-03	Clutch	Connexion		50Hz
	1	472 6914-04	Clutch	Connexion		60Hz
5	1	471 7701-50	V-belt	Courroie trapézoïdale	1,2	
6	1	471 7702-50	V-belt	Courroie trapézoïdale	1,2	
7	2	471 4225-01	Motor mounting	Montage du moteur	3	
8	2	471 4225-02	Motor mounting	Montage du moteur	3	
9	1	728 8489-01	Screw	Vis	3	SK6SS M10X16
10	8	725 2634-51	Screw	Vis	1	M6S 16X70
11	8	732 2124-01	Locking nut	Contre-écrou	1	M16
12	1	762 7412-57	Terminal connection	Bloc de connexion	1	
13	2	762 7202-57	Terminal connection	Bloc de connexion	1	2-POLE
14	1	471 9004-75	Bracket	Support de montage	3	
15	1	471 9004-75	Bracket	Support de montage	3	
16	4	729 9342-61	Screw	Vis	3	B8X13
17	1	472 7946-02	Switch	Commutateur	1,2	Complete
18	1	472 6902-02	Belt tensioner	Tendeur de courroie	1	50Hz
	1	472 6902-03	Belt tensioner	Tendeur de courroie	1	60Hz
19	1	472 6902-01	Belt tensioner	Tendeur de courroie	1	

1



Issue	Month	Year
02	11	98

EX-200c

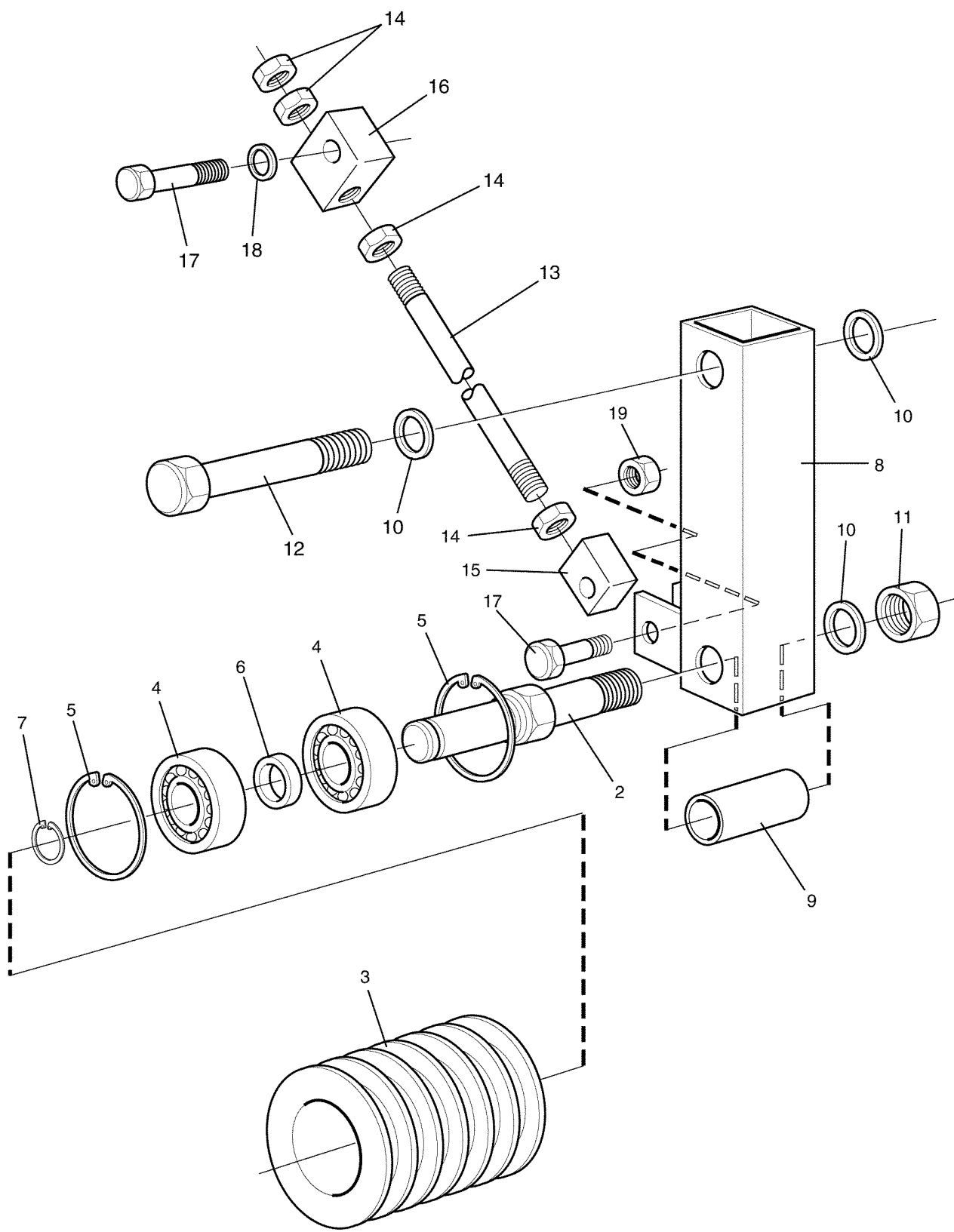
Suspension

Pied à ressorts

Illustration Issue Month Year  
Schéma Issue Month Year  
100423/1 1 3 2000

Item Article	Qua Qua	Art.No Réf. article	Description	Description	Info Info	Notes Remarques
1	1	471 4108-79	Spring strut	Pied à ressorts	1	Complete
2	2	471 9224-60	•Link head	•Tête de liaison	1	
3	2	731 2324-01	•Nut	•Écrou	3	M6M16
4	1	471 4310-94	•Cylinder	•Cylindre	3	
5	1	471 4310-95	•Shaft	•Arbre	3	
6	1	471 4309-56	•Spring	•Ressort	1	
7	2	735 3154-10	•C-clamp	•Presse à main	3	
8	1	471 4640-71	•End piece	•Pignon	3	
9	1	471 9228-49	•Bearing	•Coussinet	1	
10	1	471 4640-73	•Guide	•Guide	3	
11	1	471 4640-72	•End piece	•Pignon	3	
12	1	471 9018-59	•Washer	•Rondelle	3	
13	1	725 2624-51	•Screw	•Vis	3	M6S 16X30

1



Issue	Month	Year
02	05	99

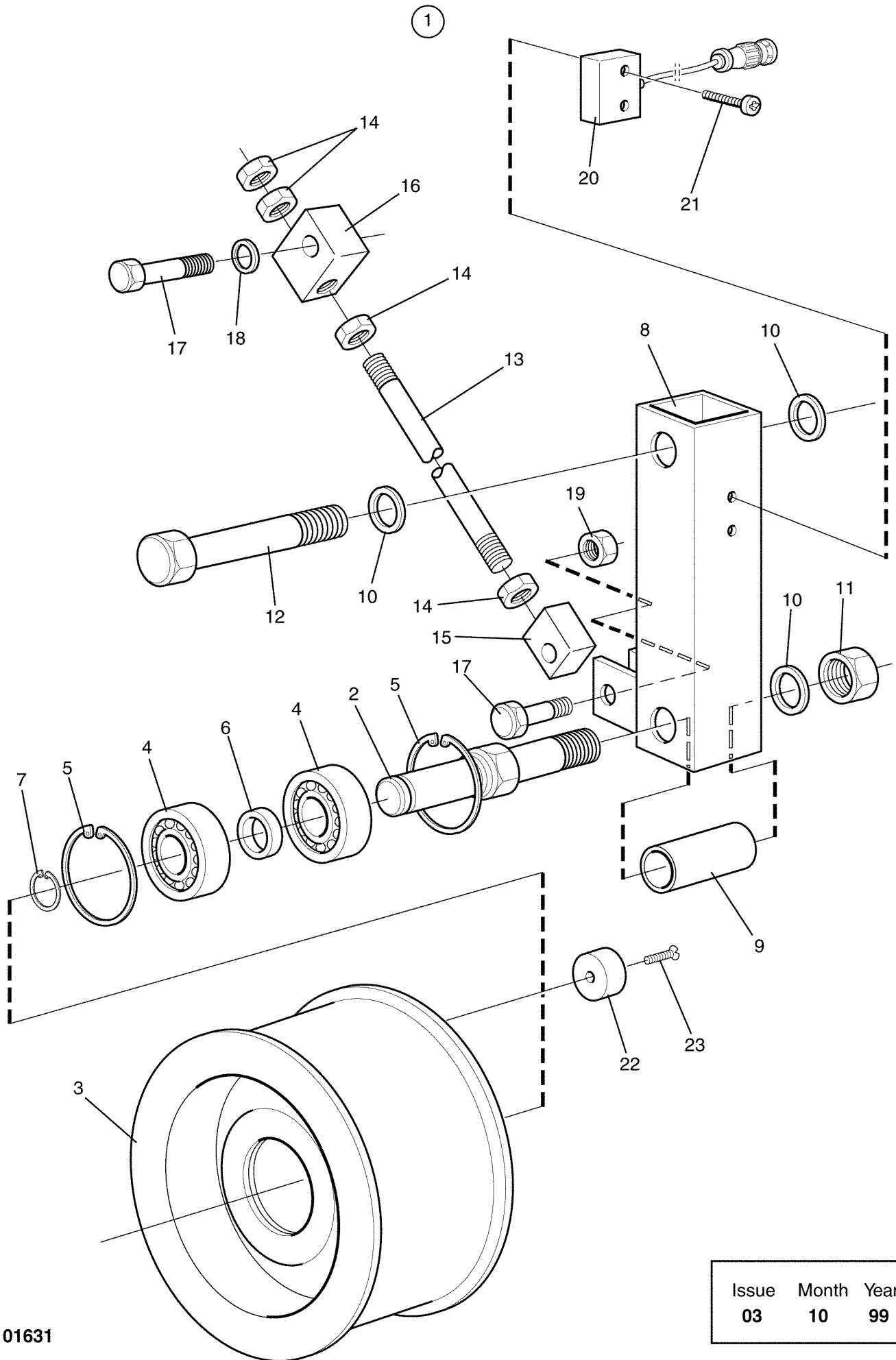
EX-200c

Belt tensioner wash

Tendeur de courroie de lavage

Illustration Issue Month Year  
Schéma Issue Month Year  
100425/1 1 3 2000

Item Article	Qua Qua	Art.No Réf. article	Description	Description	Info Info	Notes Remarques
1	1	472 6902-01	Belt tensioner	Tendeur de courroie	1	Complete
2	1	472 6903-01	•Shaft	•Arbre	3	
3	1	471 4232-01	•Pulley	•Poulie	1	
4	2	738 2104-03	•Bearing	•Coussinet	1	
5	1	735 3138-10	•Circlip	•Attache en forme C	3	SGH42
6	1	471 4634-37	•Spacer	•Entretoise	3	
7	1	735 3122-00	•C-clamp	•Presse à main	3	SGA20
8	1	472 6904-01	•Arm	•Bras	3	50Hz
9	2	472 6907-01	•Spacer	•Entretoise	3	
10	4	734 1186-01	•Washer	•Rondelle	3	BRB 17X30
11	1	732 2124-01	•Locking nut	•Contre-écrou	3	M16
12	1	725 2640-51	•Screw	•Vis	3	M6S 16X100
13	1	471 2277-92	•Screw	•Vis	3	
14	4	731 2320-01	•Nut	•Écrou	3	M10
15	1	471 2277-91	•Bracket	•Support de montage	3	
16	1	471 2277-86	•Bracket	•Support de montage	3	
17	2	725 2497-51	•Screw	•Vis	3	M6S 10X35
18	1	734 1173-01	•Washer	•Rondelle	3	BRB 10,5X21
19	1	731 2120-01	•Nut	•Écrou	3	M10



Issue	Month	Year
03	10	99



EX-200c

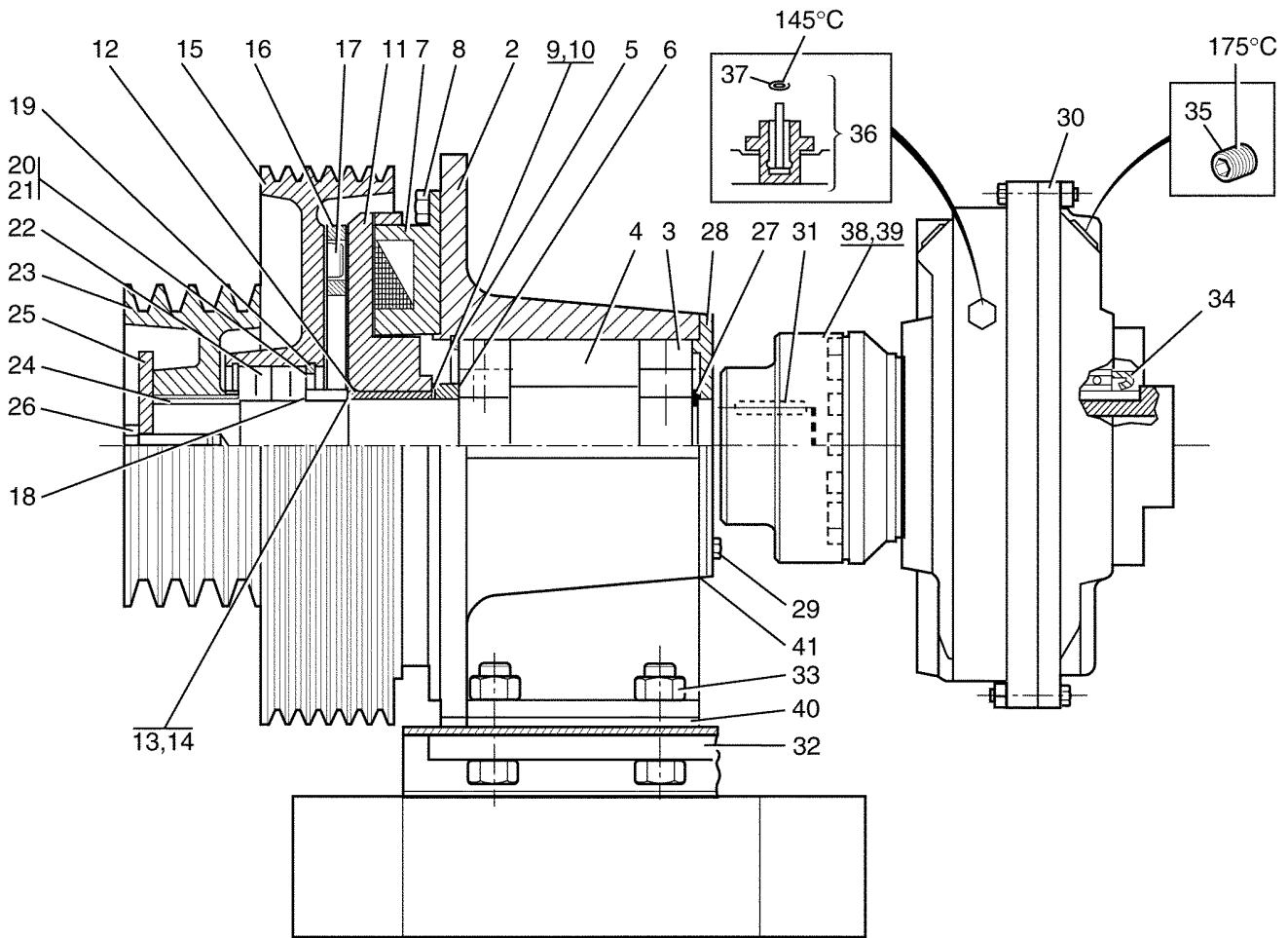
Belt tensioner centrifugal

Tendeur de courroie essorage

Illustration Issue Month Year  
Schéma Issue Month Year  
101631/1 2 11 2000

Item Article	Qua Qua	Art.No Réf. article	Description	Description	Info Info	Notes Remarques
1	1	472 6902-02	Belt tensioner	Tendeur de courroie	1	50Hz Complete
	1	472 6902-03	Belt tensioner	Tendeur de courroie	1	60Hz Complete
2	1	472 6903-01	•Shaft	•Arbre	3	
3	1	471 4234-01	•Pulley	•Poulie	1	
4	2	738 2304-33	•Ball bearing	•Roulement à billes	1	
5	2	735 3143-10	•C-clamp	•Presse à main	3	SGH52
6	1	471 4634-36	•Spacer	•Entretoise	3	
7	1	735 3122-00	•C-clamp	•Presse à main	3	SGA20
8	1	472 6904-01	•Arm	•Bras	3	50Hz
	1	472 6904-02	•Arm	•Bras	3	60Hz
9	2	472 6907-01	•Spacer	•Entretoise	3	
10	4	734 1186-01	•Washer	•Rondelle	3	BRB 17X30
11	1	732 2124-01	•Locking nut	•Contre-écrou	3	M16
12	1	725 2640-51	•Screw	•Vis	3	M6S 16X100
13	1	471 2277-92	•Screw	•Vis	3	
14	4	731 2320-01	•Nut	•Écrou	3	M10
15	1	471 2277-91	•Bracket	•Support de montage	3	
16	1	471 2277-86	•Bracket	•Support de montage	3	
17	2	725 2497-51	•Screw	•Vis	3	M6S 10X35
18	1	734 1173-01	•Washer	•Rondelle	3	BRB 10,5X21
19	1	731 2120-01	•Nut	•Écrou	3	M10
20	1	438 7300-72	Speed control	Contrôle vitesse	1,2	
21	2	471 8341-17	Screw	Vis	3	MRT 4X25
22	2	471 9202-12	Magnet	Aimant	1,2	Blue
	1	471 9202-11	Magnet	Aimant	1,2	Red RED
23	1	471 8348-17	Screw	Vis	3	M4X20

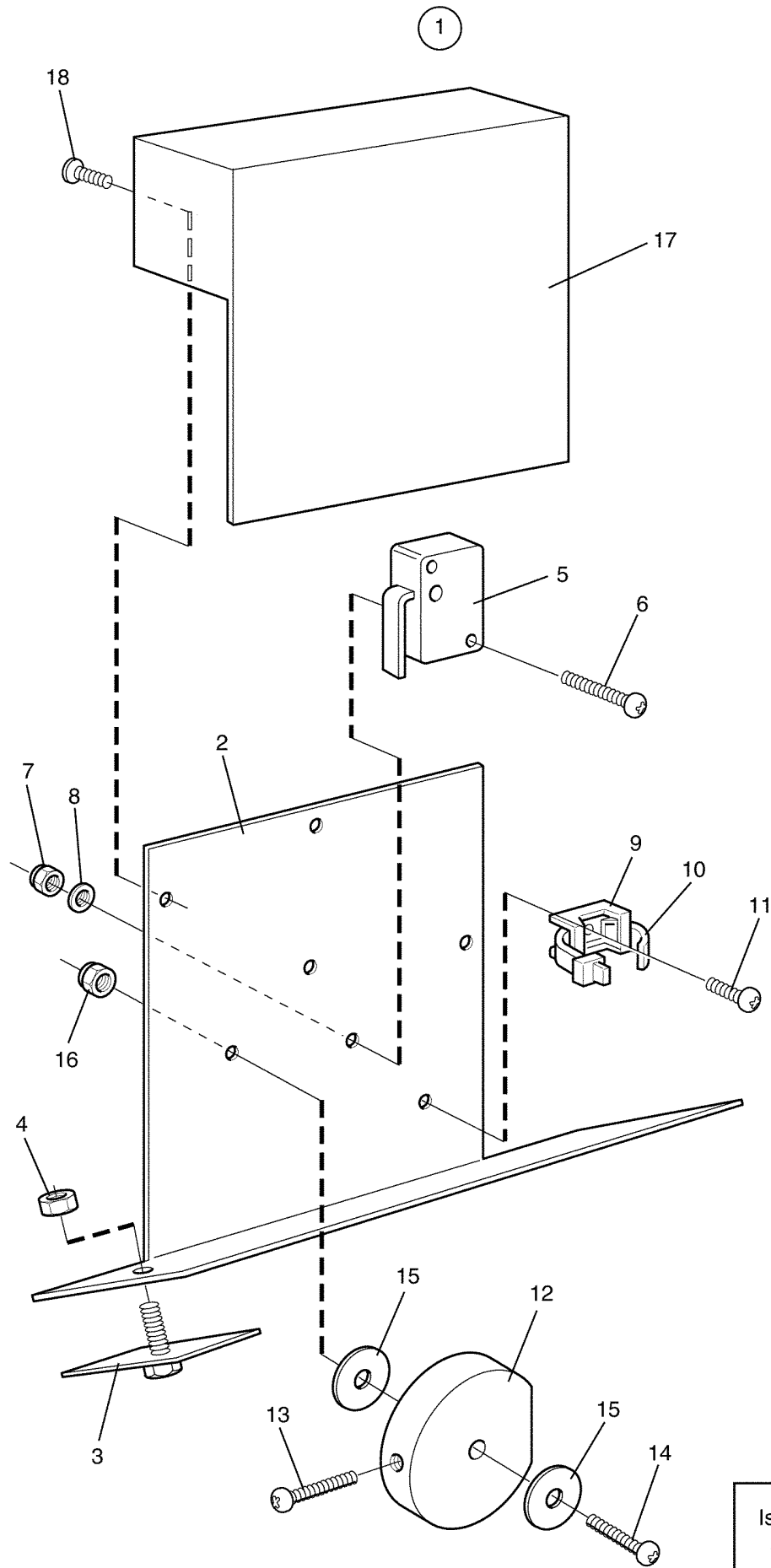
1



100432

Issue	Month	Year
02	05	99

EX-200c				Illustration	Issue	Month	Year
Clutch				Schéma	Issue	Month	Year
Connexion				100432/1	1	3	2000
Item	Qua	Art.No	Description	Description	Info	Notes	
Article	Qua	Réf. article			Info	Remarques	
1	1	472 6914-03	Clutch	Connexion	1	50Hz Complete	
	1	472 6914-05	Clutch	Connexion	1	50Hz Complete	
	1	472 6914-04	Clutch	Connexion	1	60Hz Complete	
	1	472 6914-06	Clutch	Connexion	1	60Hz Complete	
2	1	472 6892-01	•Bearing housing	•Logement de palier	3		
3	2	738 2311-34	•Ball bearing	•Roulement à billes	1		
4	1	471 4237-03	•Shaft	•Arbre	1		
5	1	735 3171-10	•C-clamp	•Presse à main		SGH120	
6	1	472 6893-01	•Spacer	•Entretoise	1		
7	1	471 9552-13	•Magnet	•Aimant	1,2		
8	4	725 5493-01	•Screw	•Vis	1	MC6S 10X25	
9	4	471 8519-03	•Washer	•Rondelle	1		
10	4	471 8519-04	•Washer	•Rondelle	1		
11	1	471 9552-12	•Rotor	•Rotor	1,2		
12	1	735 9561-00	•Wedge	•Poulie courroie V	1		
13	4	471 8519-05	•Washer	•Rondelle	1		
14	4	471 8519-06	•Washer	•Rondelle	1		
15	1	471 4235-01	•Pulley	•Poulie	1		
16	1	471 9552-11	•Pressure plate	•Plaque de pression	1,2		
17	4	471 8319-01	•Screw	•Vis	1	MC6S 12X25	
18	1	471 4633-86	•Spacer	•Entretoise	1		
19	2	735 3160-10	•C-clamp	•Presse à main	1	SGH90	
20	3	471 8519-01	•Washer	•Rondelle	1		
21	3	471 8519-02	•Washer	•Rondelle	1		
22	2	738 2210-18	•Ball bearing	•Roulement à billes	1,2		
23	1	471 4233-01	•Pulley	•Poulie	1	50Hz	
	1	471 4230-01	•Pulley	•Poulie	1	60Hz	
24	1	471 9219-52	•Wedge	•Poulie courroie V	1		
25	1	471 4633-90	•Washer	•Rondelle	1		
26	1	725 2540-51	•Screw	•Vis	1	M6S 12X40	
27	1	735 3144-00	•C-clamp	•Presse à main	1	SgA55	
28	1	472 6891-01	•Bearing cover	•Chapeau de palier	3		
29	6	725 2368-51	•Screw	•Vis	1	M6S 6X16	
30	1	471 9557-02	•Clutch	•Embrayage	1		
	1	471 9557-03	•Clutch	•Connexion	1		
31	1	735 9435-01	•Wedge	•Poulie courroie V	1		
32	2	471 4225-03	•Bracket	•Support de montage	1		
33	6	732 2124-01	•Locking nut	•Contre-écrou	1	M16	
34	1	471 9557-51	•Gasket kit	•Pochette de joints	1		
35	1	471 8775-03	•Melt fuse	•Fusible	1	175°C	
36	1	471 8776-01	•Melt fuse	•Fusible	1	COMPL. 145°C	
	1	472 7963-01	•Tool	•Outil	1,2	TOOL FOR MELT FUSE	
37	1	471 8775-04	••Fuse	••Porte-fusible	1,2	145°C	
38	1	471 9557-53	•Clutch	•Embrayage	1,2		
39	1	471 6696-93	••Repair kit	••Kit de réparation	1	12 PCS RUBBER CUSHION	
40	RQ	471 9043-01	Washer	Rondelle	3		
41	RQ	471 8519-14	Spacer washer	Rondelle écartement	3		
42		874 6611-01	Hydraulic fluid	Huile hydraulique	1,2	2,7L SHELL TEGULA BP ENERGOL HLP65 ESSO TERESSO N45 ARAL HTV	



101632

Issue	Month	Year
02	05	99

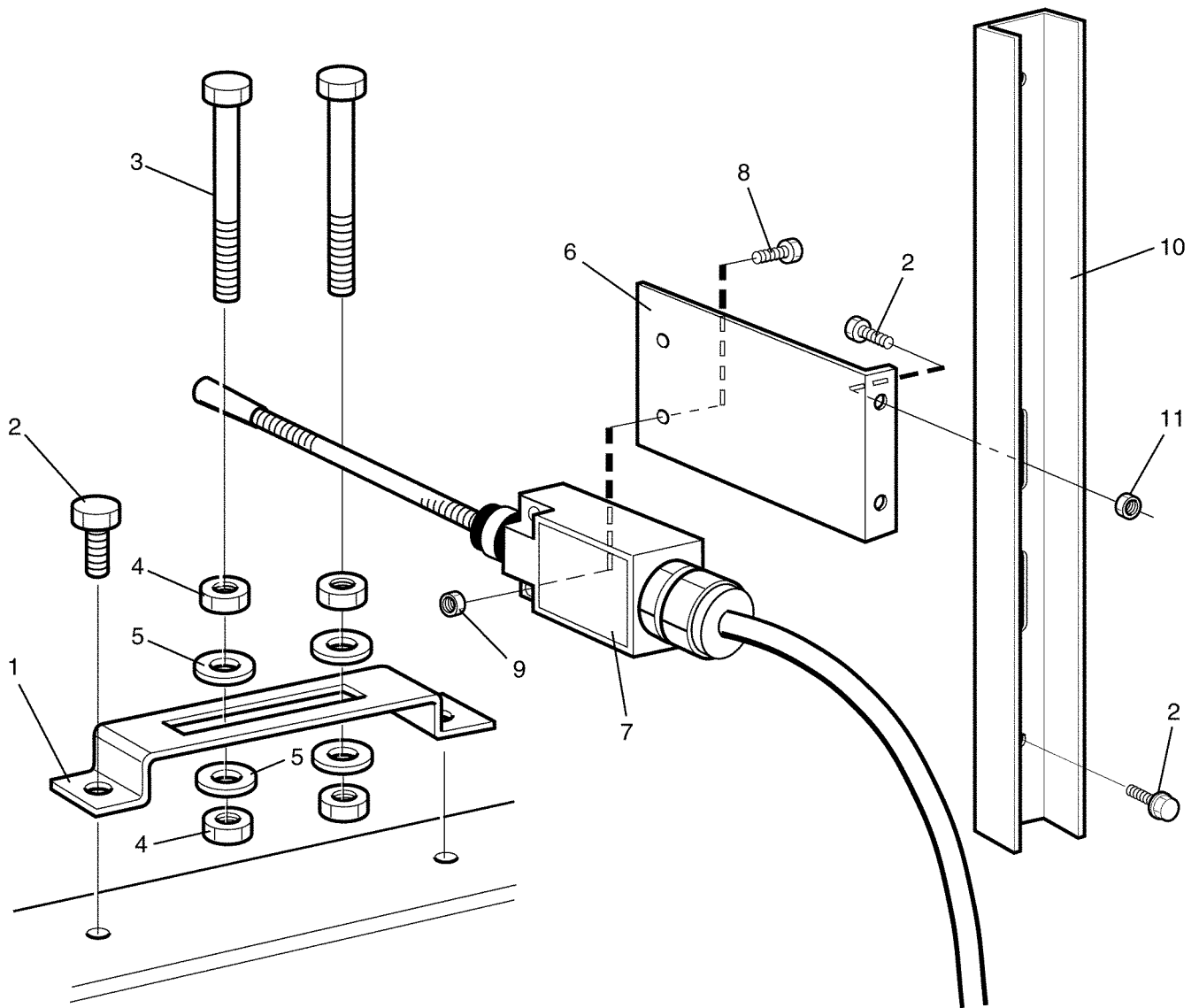
EX-200c

Switch for hydraulic coupling

Commutateur, connexion hydraulique

Illustration Issue Month Year  
Schéma Issue Month Year  
101632/1 1 3 2000

Item Article	Qua Qua	Art.No Réf. article	Description	Description	Info Info	Notes Remarques
1	1	472 7946-02	Switch	Commutateur	1,2	Complete
2	1	472 7948-01	•Plate	•Tableau	3	
3	2	472 7950-01	•Bracket	•Support de montage	3	
4	2	732 2116-01	•Locking nut	•Contre-écrou	3	M6
5	1	471 9625-03	•Microswitch	•Microrupteur	1,2	
6	2	471 8341-07	•Screw	•Vis	3	MRT 3X25
7	2	732 2110-01	•Locking nut	•Contre-écrou	3	M3
8	2	734 1124-01	•Washer	•Rondelle	3	BRB 3X7
9	1	471 9004-75	•Bracket	•Support de montage	3	
10	1	762 9105-05	•Cable strap	•Serre-câble	3	
11	1	471 8341-11	•Screw	•Vis	3	MRT 4X6
12	1	472 7947-02	•Pulley	•Roue	3	
13	1	471 8341-19	•Screw	•Vis	3	MRT 4X40
14	1	471 8341-17	•Screw	•Vis	3	MRT 4X25
15	2	734 1808-51	•Washer	•Rondelle	3	NB 5X16
16	1	732 2112-01	•Locking nut	•Contre-écrou	3	M4
17	1	472 7949-01	•Cover	•Couvercle	3	
18	3	471 8342-04	•Screw	•Vis	3	MRT-TT 3X12



101498

Issue	Month	Year
03	07	99

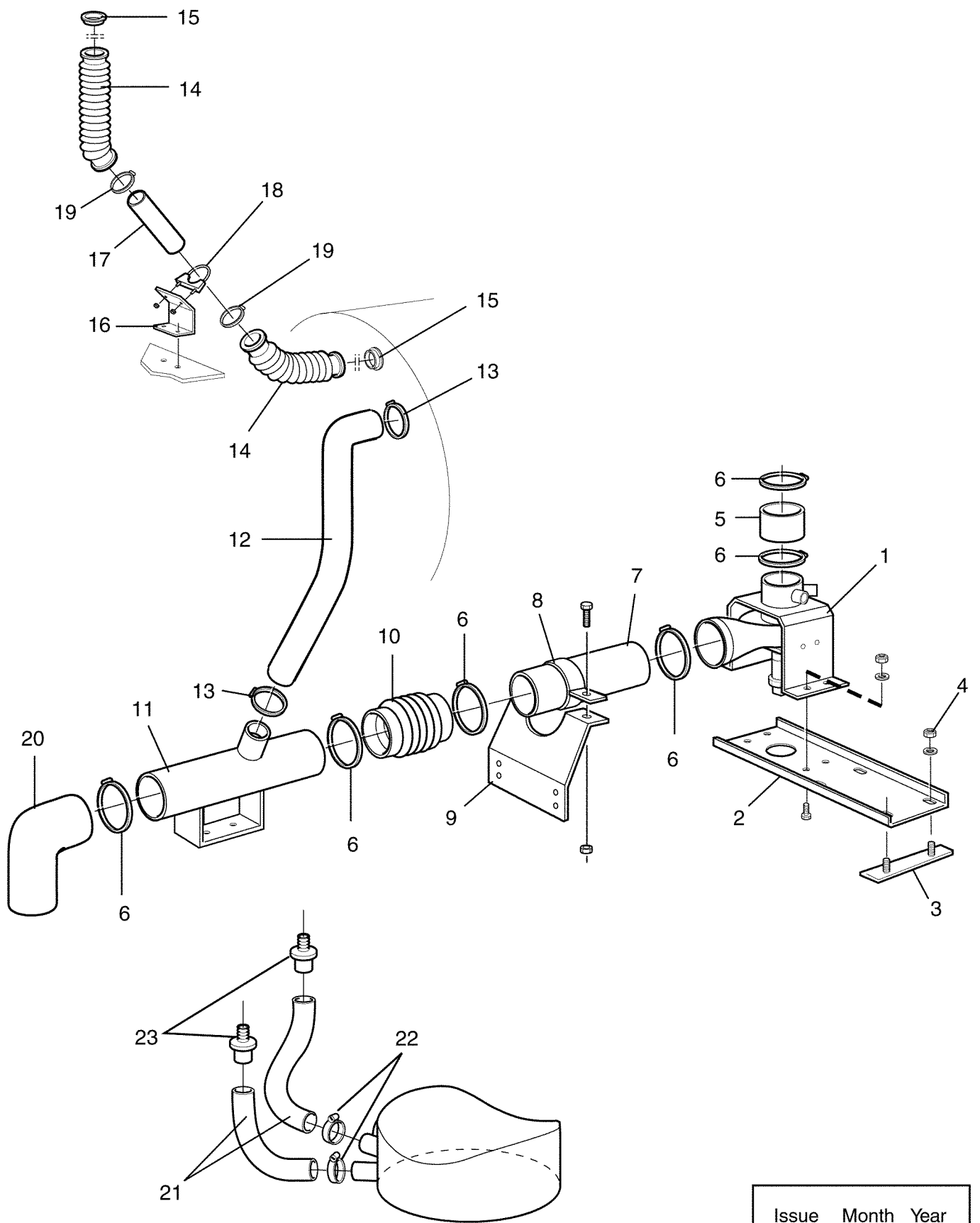
EX-200c

Out of balance switch

Commutateur asymétrique

Illustration	Issue	Month	Year
Schéma	Issue	Month	Year
101498/1	1	3	2000

Item Article	Qua Qua	Art.No Réf. article	Description	Description	Info Info	Notes Remarques
1	1	471 4641-10	Bracket	Support de montage	3	
2	2	725 2366-61	Screw	Vis	3	M6SF 6X12
3	1	725 2466-51	Screw	Vis	3	M6S 8X75
4	4	732 2118-01	Locking nut	Contre-écrou	3	M8
5	4	471 8502-14	Washer	Rondelle	3	BRB 8,4X17
6	1	471 4641-08	Bracket	Support de montage	3	
7	1	471 9608-01	Out of balance switch	Commutateur asymétrique	1,2	
8	2	724 1337-01	Screw	Vis	3	MRX 5X35
9	2	731 2314-01	Nut	Écrou	3	M6M5
10	1	472 6390-02	U-section	Fer en forme de U	3	
11	2	732 2116-01	Locking nut	Contre-écrou	3	M6



101647

Issue	Month	Year
03	10	99



EX-200c

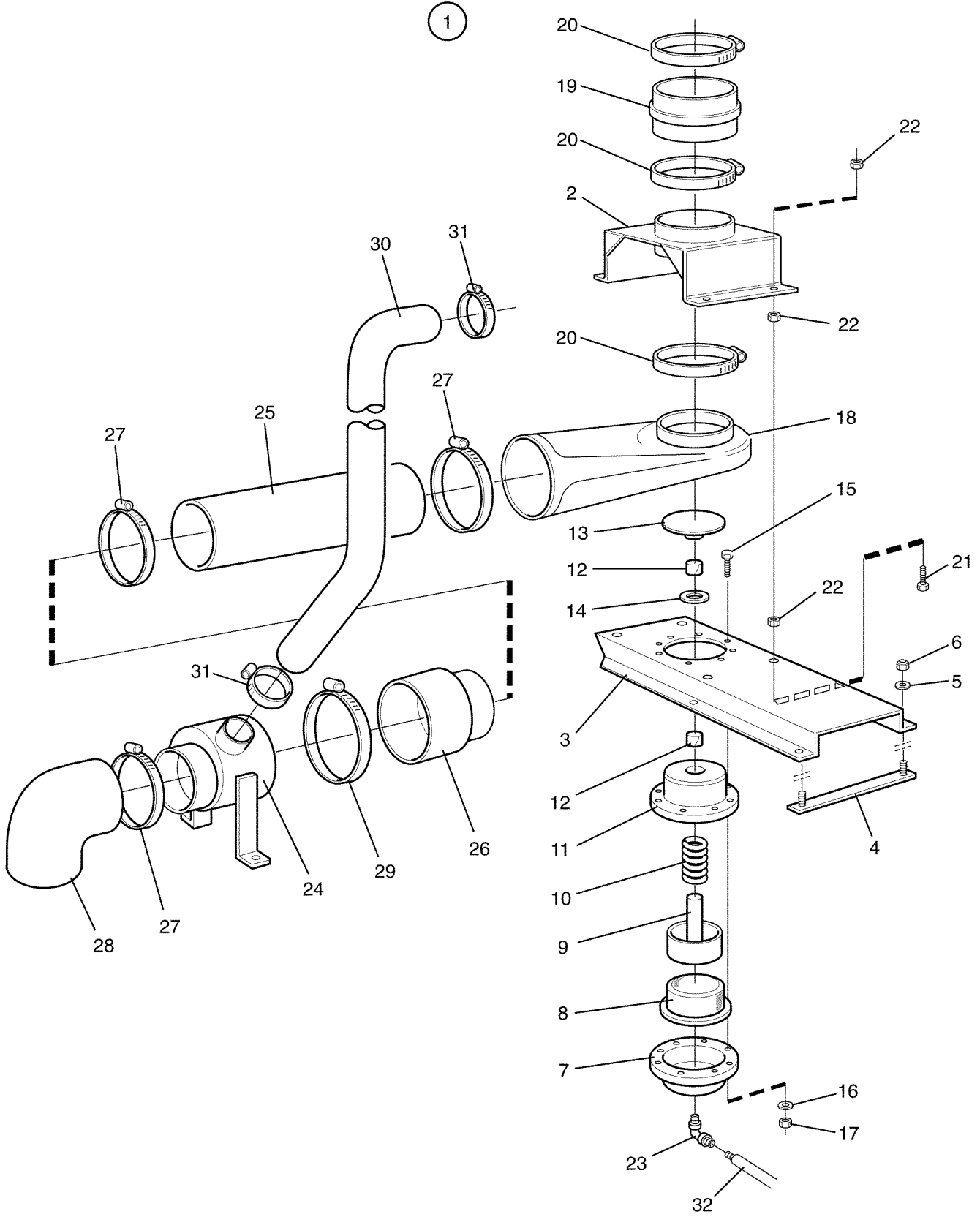
Drain valve and hoses

Purgeur et flexible

Illustration Issue Month Year  
Schéma Issue Month Year  
101647/1 1 3 2000

Item Article	Qua Qua	Art.No Réf. article	Description	Description	Info Info	Notes Remarques
1	1	438 4982-01	Drain valve	Purgeur	1,2	
2	1	432 0478-01	Bracket	Support de montage	3	
3	2	471 4225-03	Bracket	Support de montage	3	
4	4	732 2124-01	Locking nut	Contre-écrou	3	M16
5	1	471 8128-55	Hose	Flexible	1,2	
6	6	736 2855-51	Hose clamp	Attache flexible	3	Ø138
7	1	471 8613-07	Drain pipe	Tuyau d'écoulement	3	
8	2	471 7855-02	Clamp	Attache	3	
9	1	432 0032-01	Bracket	Pièce de retenue	3	
10	1	438 4972-01	Hose	Flexible	1	
11	1	432 0486-01	Drain	Écoulement	3	
12	1	471 4005-90	Hose	Flexible	1,2	
13	2	736 2849-51	Hose clamp	Attache flexible	3	Ø77-93
14	2	472 6025-00	Hose	Flexible	1,2	
15	2	472 6024-00	Ring	Anneau	3	
16	1	432 0440-01	Bracket	Pièce de retenue	3	
17	1	471 8613-08	Pipe	Tube	3	
18	1	471 7858-07	Clamp	Attache	3	
19	2	736 2840-51	Hose clamp	Pince de tuyau flexible	3	Ø50-63
20	1	432 0047-01	Hose	Flexible	3	
21	2	471 4391-01	Hose	Flexible	1	
22	2	736 2840-51	Hose clamp	Pince de tuyau flexible	3	Ø50-63
23	2	471 2260-95	Nipple	Raccord	3	

1



100246

Issue	Month	Year
02	06	99

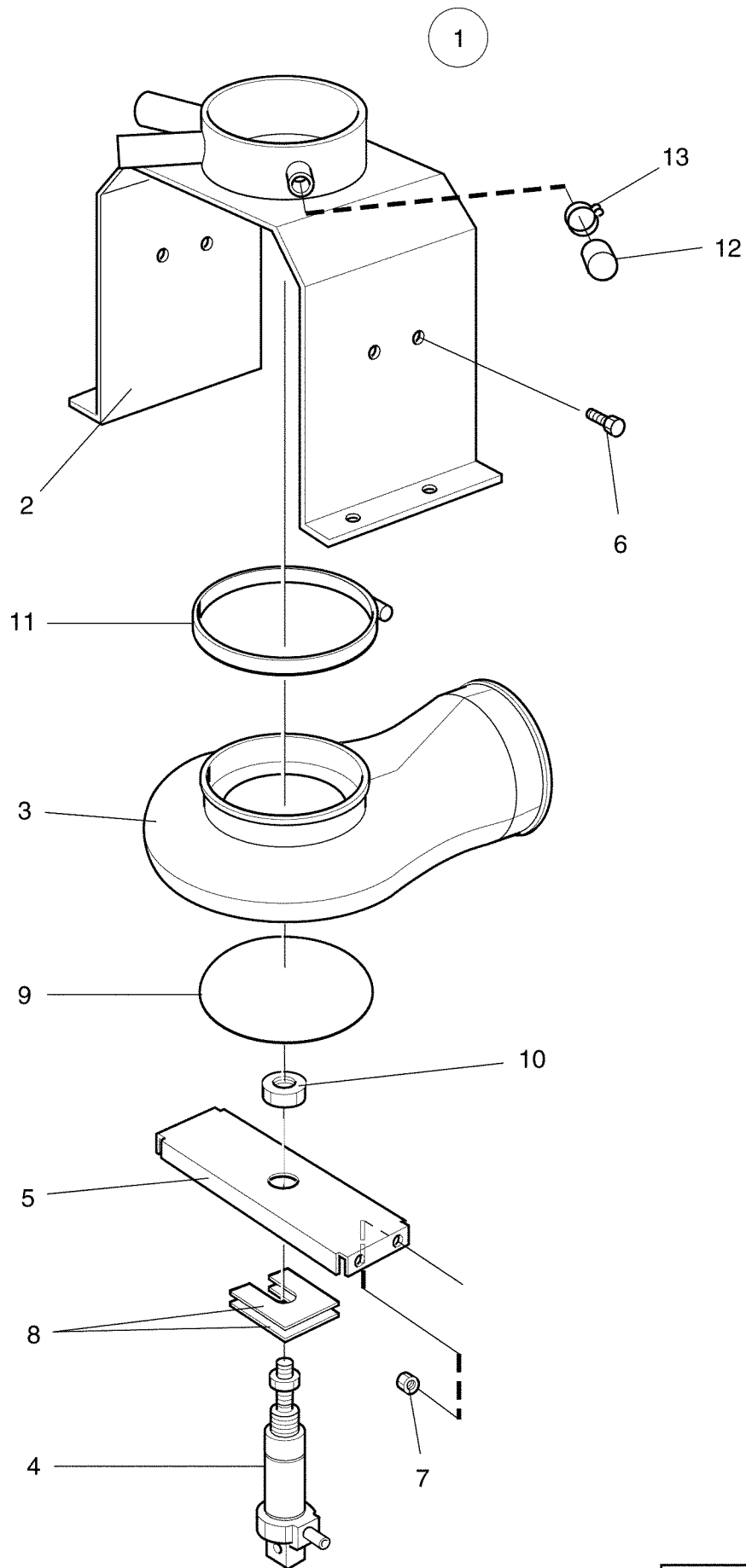
EX-200c

Drain valve

Purgeur

Illustration Issue Month Year  
Schéma Issue Month Year  
100246/1 1 3 2000

Item Article	Qua Qua	Art.No Réf. article	Description	Description	Info Info	Notes Remarques
1	1	472 9076-01	Drain valve	Purgeur	1	Complete
2	1	472 9072-01	•Clamp	•Bride de fixation	3	
3	1	472 9075-01	•Bracket	•Pupitre	3	
4	2	472 9073-01	•Bracket	•Support de montage	3	
5	4	734 1178-01	•Washer	•Rondelle	3	BRB 13X24
6	4	732 2122-01	•Locking nut	•Contre-écrou	3	M12
7	1	471 2417-21	•Cover	•Couvercle	1	
8	1	471 9065-37	•Diaphragm	•Diaphragme	1,2	
9	1	471 4023-00	•Piston	•Piston	1	
10	1	471 2417-25	•Spring	•Ressort	1	
11	1	471 4024-00	•Cylinder	•Cylindre	1	
12	2	471 8575-00	•Bearing	•Coussinet	1,2	
13	1	471 4021-00	•Plate	•Tableau	1,2	
14	1	471 8159-01	•Gasket	•Joint	1	
15	8	725 2374-51	•Screw	•Vis	3	M6S 6X30
16	8	734 1153-01	•Washer	•Rondelle	3	BRB 6,4X12
17	8	732 2116-01	•Locking nut	•Contre-écrou	3	M6
18	1	471 4005-75	•Hose	•Flexible	1,2	
19	1	472 9070-01	•Hose	•Flexible	1,2	
20	3	736 2855-51	•Hose clamp	•Attache flexible	3	Ø138
21	4	725 2461-51	•Screw	•Vis	3	M8X50
22	12	731 2318-01	•Nut	•Écrou	3	M6M8
23	1	471 8690-22	•Connection	•Connexion	3	
24	1	472 6952-01	Connection	Flexible caoutchouc	3	
25	1	471 4634-52	Drain pipe	Tuyau d'écoulement	3	
26	1	471 4107-82	Pipe	Tube	1	
27	3	471 9219-86	Hose clamp	Attache flexible	3	
28	1	471 4005-76	Hose	Flexible	1	
29	1	736 2867-51	Hose clamp	Attache flexible	3	
30	1	471 4005-90	Hose	Flexible	1	
31	2	736 2849-51	Hose clamp	Attache flexible	3	Ø77-93
32	1	471 4647-80	Hose	Flexible	3	



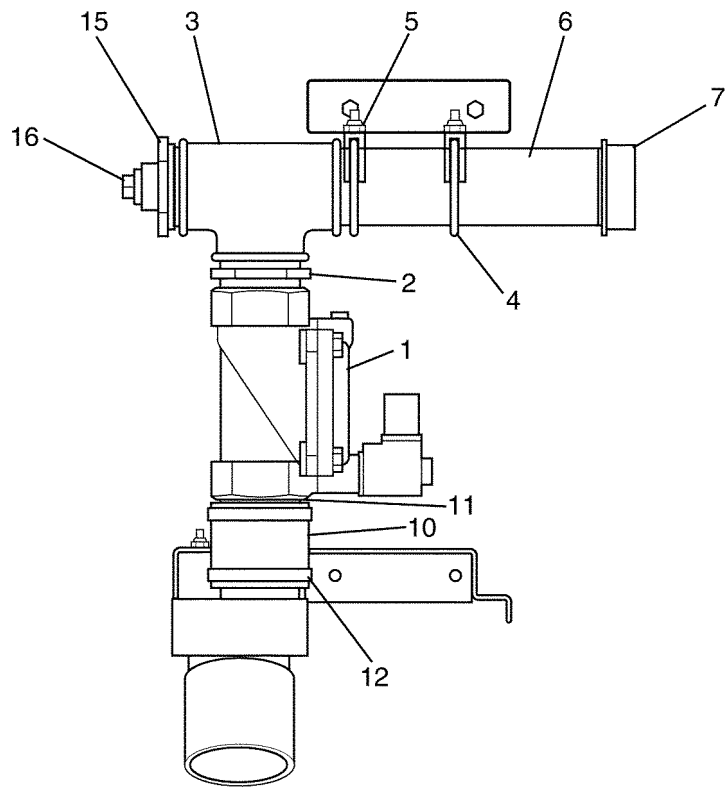
EX-200c

Drain valve

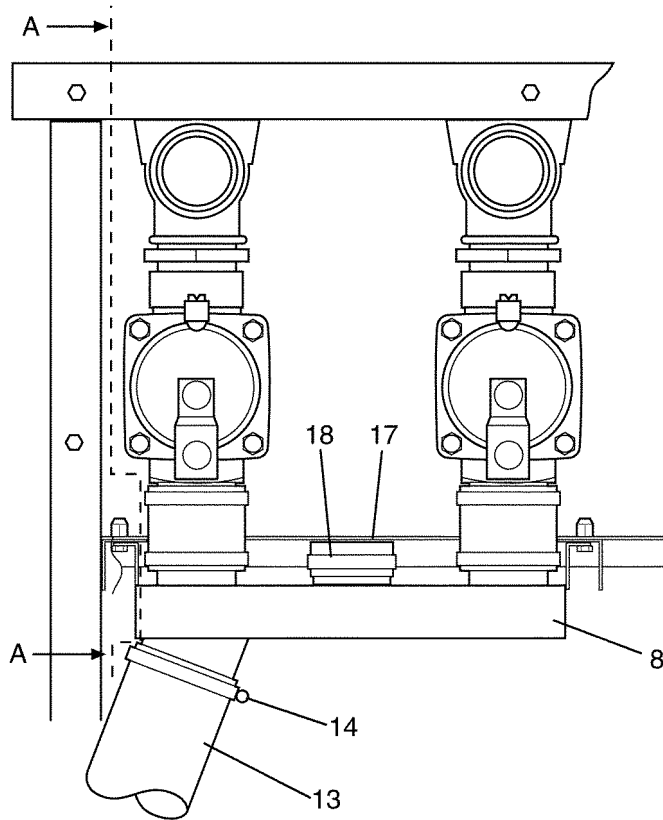
Purgeur

Illustration	Issue	Month	Year
Schéma	Issue	Month	Year
101432/1	1	3	2000

Item Article	Qua Qua	Art.No Réf. article	Description	Description	Info Info	Notes Remarques
1	1	438 4982-01	Drain valve	Purgeur	1	Complete
2	1	438 4951-01	•Housing	•Logement	3	
3	1	438 4921-01	•Hose	•Flexible	1,2	
4	1	471 8281-01	•Air cylinder	•Air cylinder	1,2	
5	1	438 4961-01	•Bracket	•Bride	3	
6	4	725 2366-61	•Screw	•Vis	3	M6SF 6X12
7	4	732 2116-01	•Locking nut	•Contre-écrou	3	M6
8	2	432 0067-01	•Washer	•Rondelle	3	
9	2	438 4924-01	•Pressure plate	•Plaque de pression	3	
10	1	732 2118-01	•Locking nut	•Contre-écrou	3	M8
11	1	736 2865-51	•Hose clamp	•Attache flexible	3	
12	1	471 9037-73	•Sleeve	•Manchon	3	
13	1	736 2816-51	•Hose clamp	•Attache flexible	3	Ø13-19



Snitt A - A



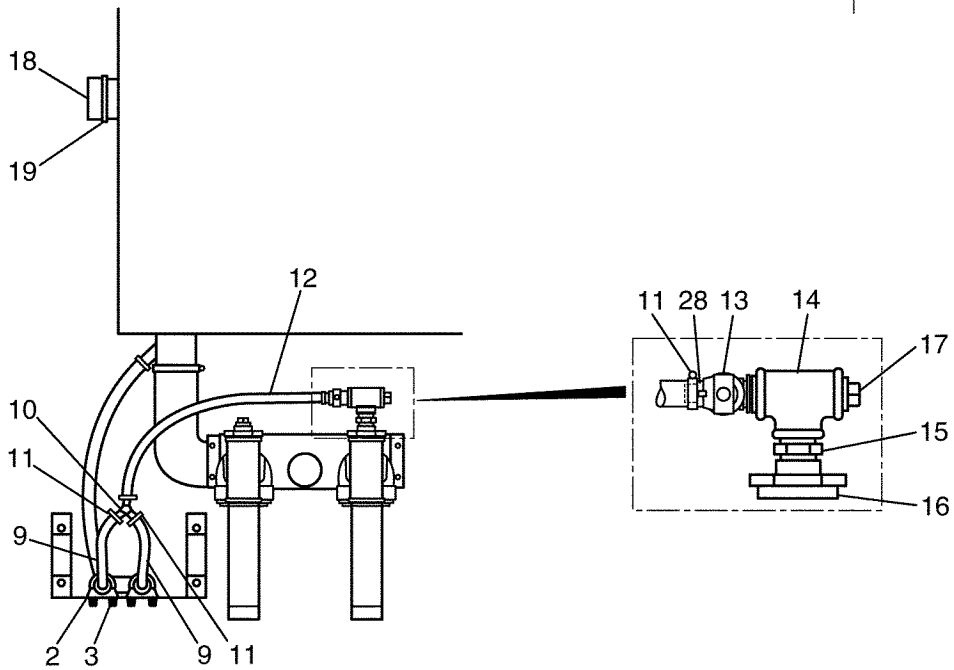
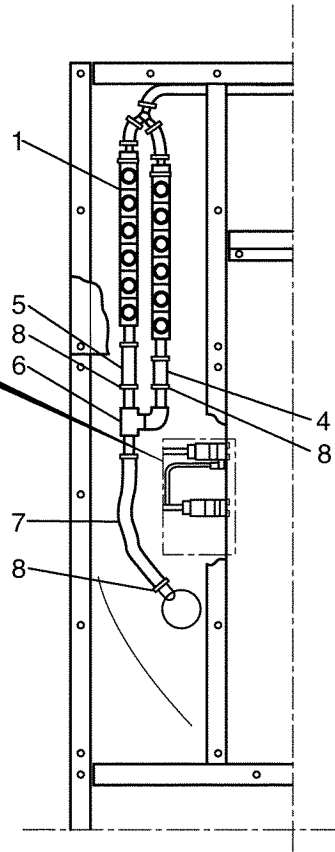
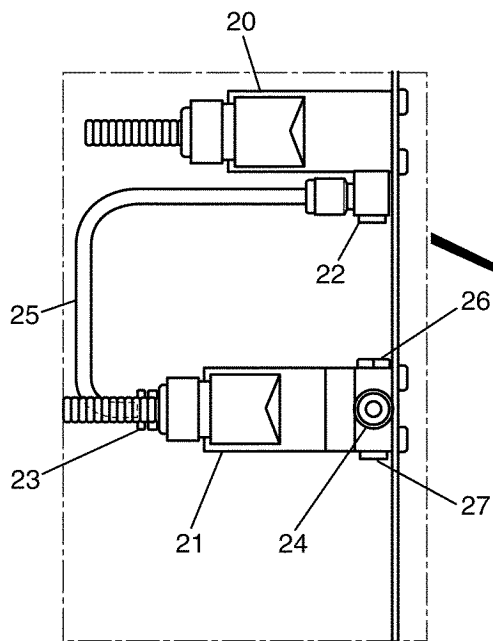
EX-200c

Water alternatives

Option eau

Illustration Issue Month Year  
Schéma Issue Month Year  
101721/1 2 4 2000

Item Article	Qua Qua	Art.No Réf. article	Description	Description	Info Info	Notes Remarques
1	2	471 8210-52	Valve	Soupape	1,2	50Hz
	2	471 8210-51	Valve	Soupape	1,2	60Hz
2	2	471 8629-07	Muff	Tubulure	3	
3	2	471 8603-11	T-pipe	Tube en T	3	
4	4	471 7858-07	Clamp	Attache	3	
5	8	732 2118-01	Locking nut	Contre-écrou	3	M8
6	2	471 8608-11	Nipple pipe	Tuyau raccordement	3	
7	2	471 8657-06	Plug	Fiche	3	
8	1	432 0438-01	Inlet	Admission	3	
9						Not used
10	2	471 8128-21	Hose	Flexible	1,2	
11	2	472 6837-01	Pipe	Tube	3	
12	4	736 2843-51	Hose clamp	Attache flexible	3	Ø63-73
13	1	471 4835-01	Hose	Flexible	1,2	
14	2	736 2849-51	Hose clamp	Attache flexible	3	Ø77-93
15	1	471 8604-01	Bushing	Douille	3	
16	RQ	741 5115-00	Plug	Fiche	3	
17	1	471 2409-89	Hood	Capot	3	
18	1	736 2840-51	Hose clamp	Pince de tuyau flexible	3	Ø50-63





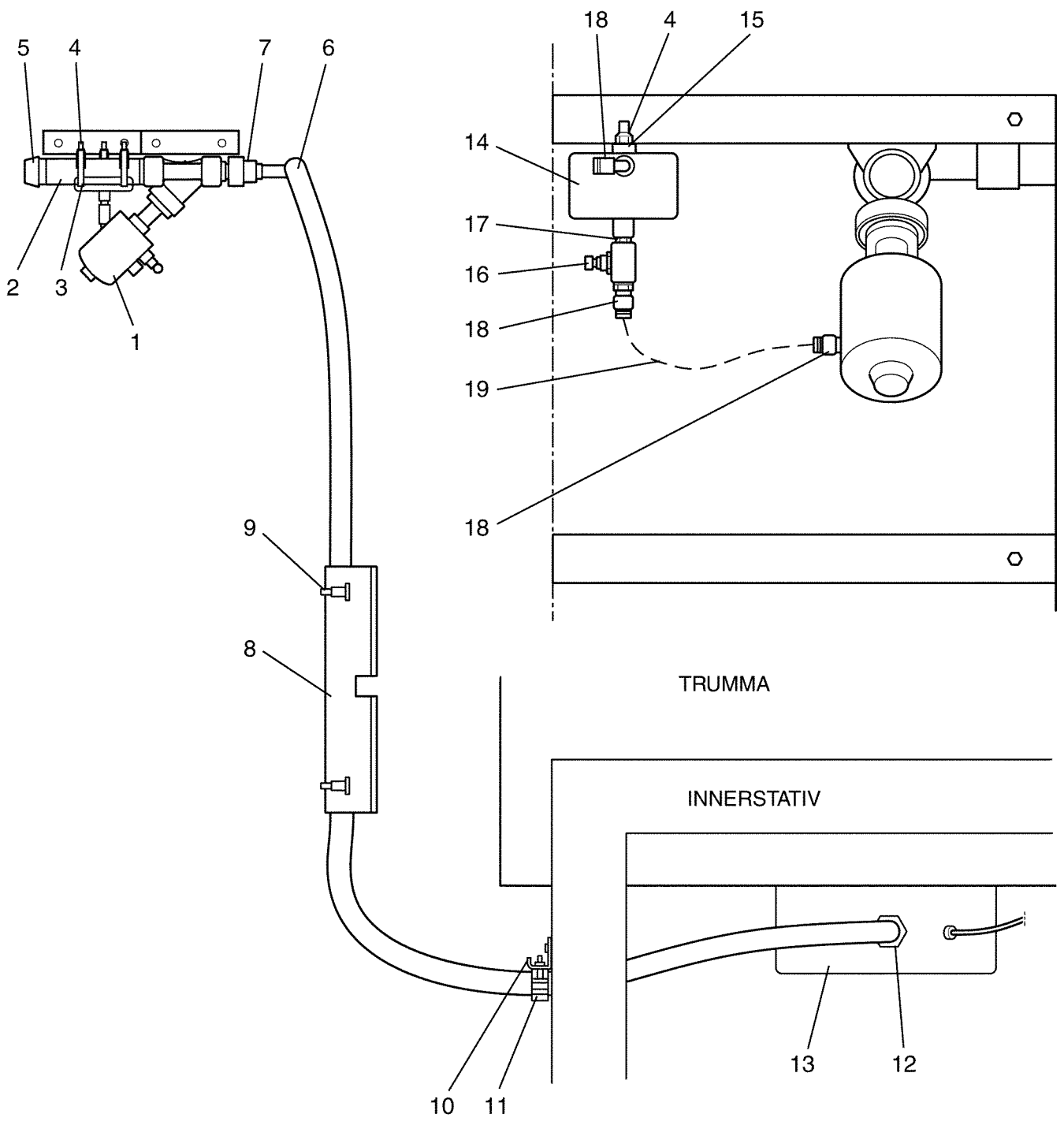
EX-200c

Water connections

Raccords d'eau

Illustration Issue Month Year  
Schéma Issue Month Year  
101722/2 2 10 2000

Item Article	Qua Qua	Art.No Réf. article	Description	Description	Info Info	Notes Remarques
1	2	432 0035-01	Tube	Tube	3	
2	4	471 7858-05	Clamp	Attache	3	
3	8	732 2118-01	Locking nut	Contre-écrou	3	M8
4	1	471 2436-02	Hose	Flexible	1,2	
5	1	471 2461-04	Hose	Flexible	1,2	
6	1	432 0074-01	T-pipe	Tube en T	3	
7	1	471 8117-04	Hose	Flexible	1,2	
8	6	736 2825-51	Hose clamp	Attache flexible	3	Ø32
9	2	471 2449-94	Hose	Flexible	1,2	
10	1	471 8628-21	Y-pipe	Collecteur	3	
11	6	736 2816-51	Hose clamp	Attache flexible	3	Ø13-19
12	1	471 2430-78	Hose	Flexible	1,2	L=1050
13	1	471 8234-52	Valve	Soupape	1,2	
14	1	742 5115-11	T-pipe	Tube en T	3	
15	1	741 3115-11	Nipple	Raccord	3	
16	1	471 8604-01	Bushing	Douille	3	
17	1	741 5115-00	Plug	Fiche	3	
18	1	471 2409-89	Hood	Capot	3	
19	1	736 2840-51	Hose clamp	Pince de tuyau flexible	3	Ø50-63
20	1	471 9202-32	Solenoid valve	Électrovanne	1,2	50Hz
	1	471 9202-33	Solenoid valve	Électrovanne	1,2	60Hz
21	1	471 8229-01	Valve	Soupape	1,2	50Hz
	1	471 8229-02	Valve	Soupape	1,2	60Hz
22	1	471 8690-22	Connection	Connexion	3	
23	1	471 8690-71	Connection	Embrayage	3	
24	1	471 8690-22	Connection	Connexion	3	
25	1	471 2453-45	Pipe	Tube	1,2	6X4X250
26	1	471 8690-81	Plug	Fiche	3	
27	1	471 8626-03	Nipple	Raccord	3	
28	1	471 8234-95	Restrictor	Réducteur de débit	3	



101492

Issue	Month	Year
01	06	98

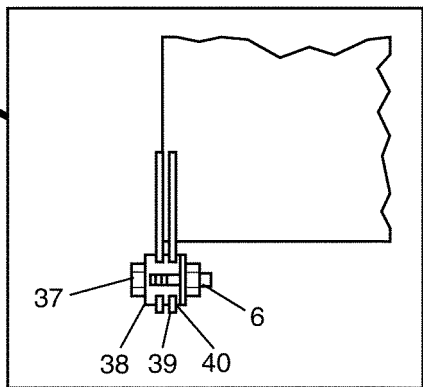
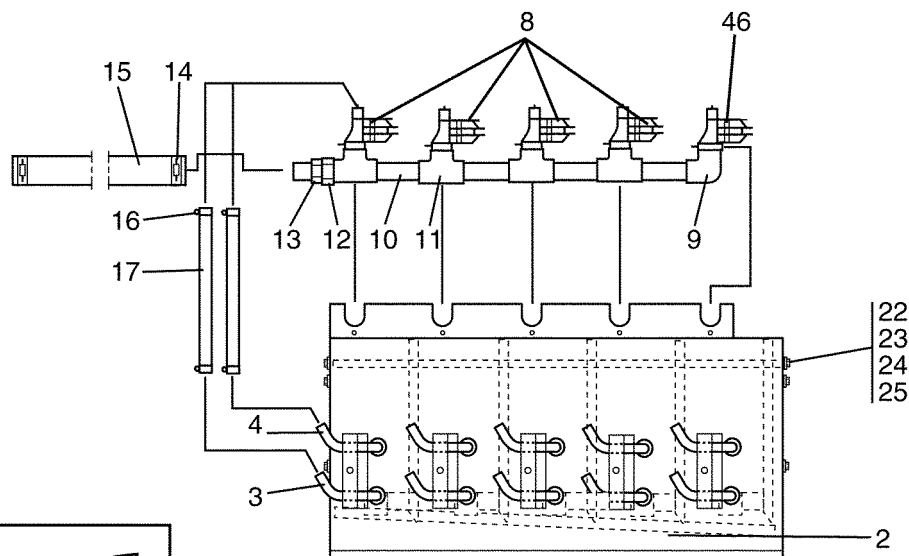
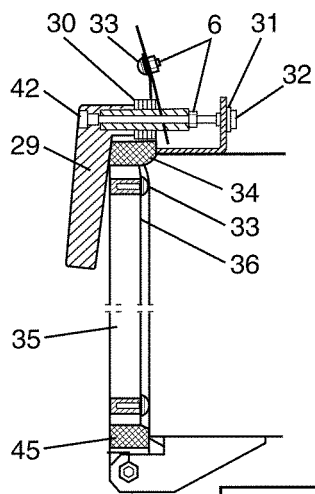
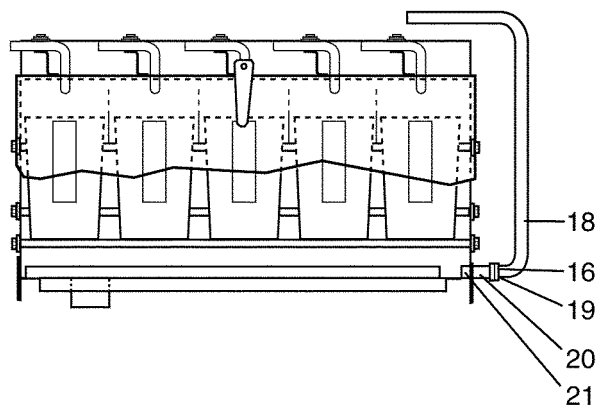
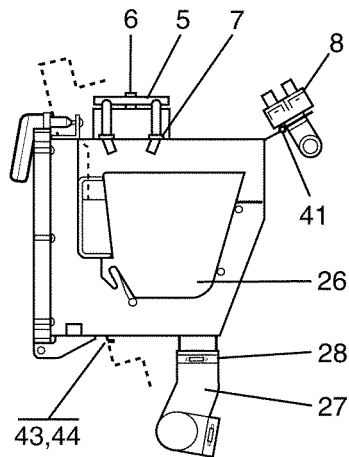
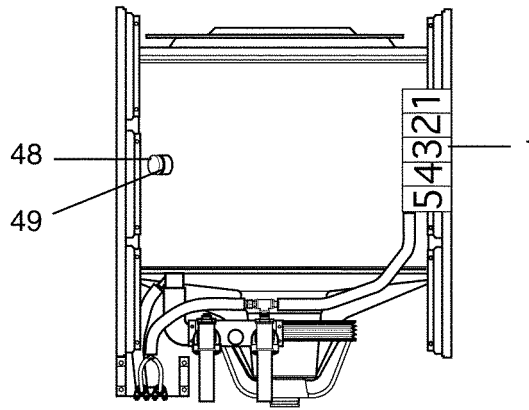
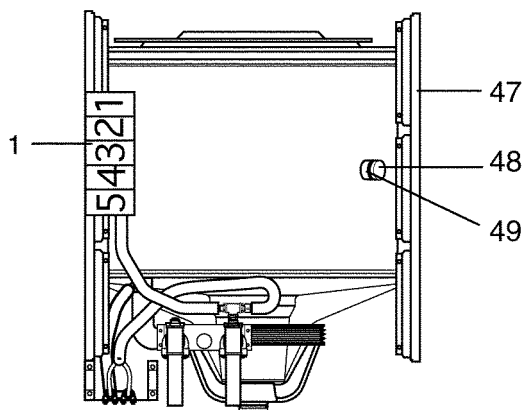
EX-200c

Steam components

Composant vapeur

Illustration Issue Month Year  
Schéma Issue Month Year  
101492/1 1 3 2000

Item Article	Qua Qua	Art.No Réf. article	Description	Description	Info Info	Notes Remarques
1	1	471 8232-12	Valve	Soupape	1,2	
2	1	471 8604-04	Pipe	Tube	3	
3	2	471 7858-03	Clamp	Attache	3	
4	7	732 2118-01	Locking nut	Contre-écrou	3	M8
5	1	471 8657-05	Plug	Fiche	3	
6	1	471 8126-24	Steam hose	Tuyau flexible de vapeur	1,2	
7	1	471 9228-03	Nipple	Raccord	3	1 1/4"
8	1	432 0437-01	Bracket	Support de montage	3	
9	3	736 2831-51	Hose clamp	Attache flexible	3	Ø36-42
10	1	471 4641-15	Angle	Coude	3	
11	1	471 7855-01	Clamp	Attache	3	
12	1	471 5617-00	Injector	Injecteur	1,2	1 1/4"
13	1	741 5217-25	Plug	Fiche	3	
14	1	472 6835-01	Container	Conteneur	3	
15	6	471 8502-14	Washer	Rondelle	3	BRB 8,4X17
16	1	471 8222-02	Valve	Soupape	1	
17	1	741 3109-21	Nipple	Raccord	3	
18	3	471 8690-22	Connection	Connexion	3	
19	RQ	471 4647-83	Hose	Flexible	1	D6X1X750



Issue	Month	Year
03	03	00

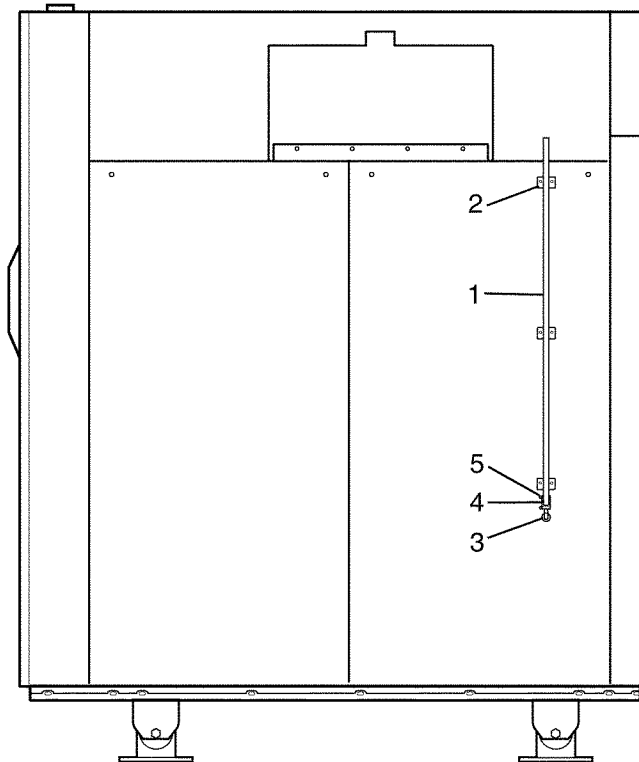
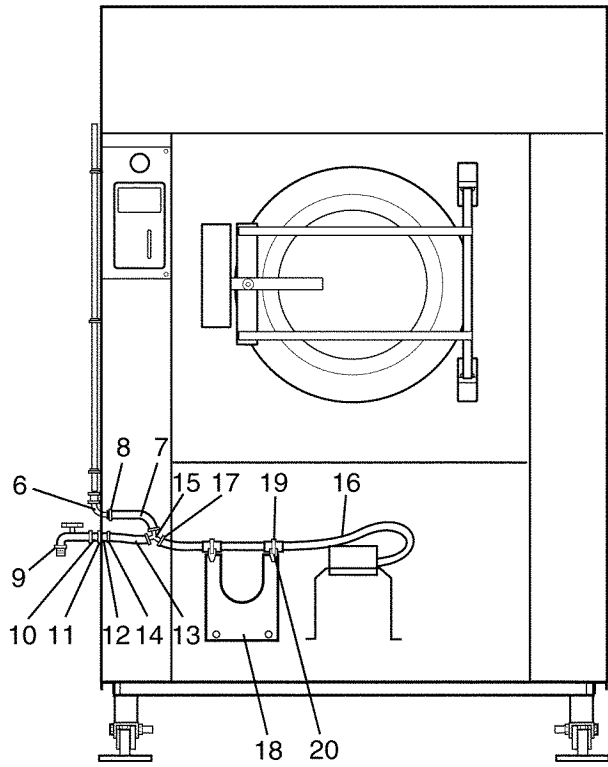
EX-200c

Dispensing components

Distributeur de savon

Illustration Issue Month Year  
Schéma Issue Month Year  
101728/1 2 10 2000

Item Article	Qua Qua	Art.No Réf. article	Description	Description	Info Info	Notes Remarques
1	1	471 4052-03	Detergent container	Compartiment à savon	3	
2	1	471 4050-01	•Container	•Conteneur	3	
3	5	471 4045-01	•Pipe	•Tube	3	
4	5	471 4044-01	•Pipe	•Tube	3	
5	5	471 4041-01	•Bracket	•Support de montage	3	
6	12	731 2314-92	•Nut	•Écrou	3	M5 SS
7	11	471 8164-01	•Grommet	•Oeillet	1	D11
8	4	471 8235-51	•Valve	•Soupape	1,2	
9	1	471 8632-05	•Elbow pipe	•Tube en V	3	
10	4	471 4215-01	•Pipe	•Tube	3	
11	4	471 8634-05	•T-pipe	•Tube en T	3	
12	1	471 8631-04	•Muff	•Tubulure	3	
13	1	471 8614-02	•Hose nipple	•Mamelon de flexible	3	R3/4" R 3/4
14	2	736 2825-51	•Hose clamp	•Attache flexible	3	Ø32 32
15	1	471 8116-03	•Hose	•Flexible	1	L=1450 L-1000
16	20	736 2816-51	•Hose clamp	•Attache flexible	3	Ø13-19 20
17	10	471 2413-33	•Hose	•Flexible	1	
18	1	471 2429-80	•Hose	•Flexible	1	
19	1	471 9075-57	•Connection	•Embrayage	3	
20	1	471 9063-05	•Muff	•Tubulure	3	
21	1	471 8643-01	•Nozzle	•Tuyère	1	
22	3	471 4039-02	•Shaft	•Arbre	3	
23	6	471 8517-01	•Washer	•Rondelle	3	
24	6	734 1164-09	•Washer	•Rondelle	3	BRB 8,4X17
25	6	731 2318-42	•Nut	•Écrou	3	M8SS
26	5	471 4103-19	•Cup	•Godet	1	
27	1	471 4051-01	•Hose	•Flexible	1	
28	2	736 2840-51	•Hose clamp	•Pince de tuyau flexible	3	Ø50-63 65
29	1	472 6030-01	•Handle	•Poignée	1	
30	4	734 1178-09	•Washer	•Rondelle	3	BRB 13X24
31	1	471 8577-02	•Bushing	•Douille	1	
32	1	724 1335-01	•Screw	•Vis	3	MRX 5X30
33	4	471 8344-24	•Screw	•Vis	3	M5X12
34	1	471 8174-02	•Rubber strip	•Joint caoutchouc	1	
35	1	471 4211-02	•Door	•Plaque	3	
36	1	471 4212-01	•Door	•Plaque	3	
37	2	724 1331-42	•Screw	•Vis	3	MRX 5X20
38	2	734 1146-01	•Washer	•Rondelle	3	BRB 5,3X10
39	2	734 1173-09	•Washer	•Rondelle	3	BRB 10,5X21
40	2	471 8576-01	•Bearing bushing	•Douille de palier	3	
41	5	724 1285-42	•Screw	•Vis	3	MRX 4X6
42	1	725 5340-01	•Screw	•Vis	3	MC6S 5X45
43	4	471 8344-13	•Screw	•Vis	3	M4X10
44	4	732 2312-42	•Nut	•Écrou	3	M4
45	1	471 9203-62	•Gasket	•Bande de garniture	3	
46	1	471 8236-57	Valve	Soupape	3	
47	1	472 6843-01	Cover plate	Plaque recouvrement	3	White
48	1	471 2409-89	Hood	Capot	3	
49	1	736 2840-51	Hose clamp	Pince de tuyau flexible	3	Ø50-63



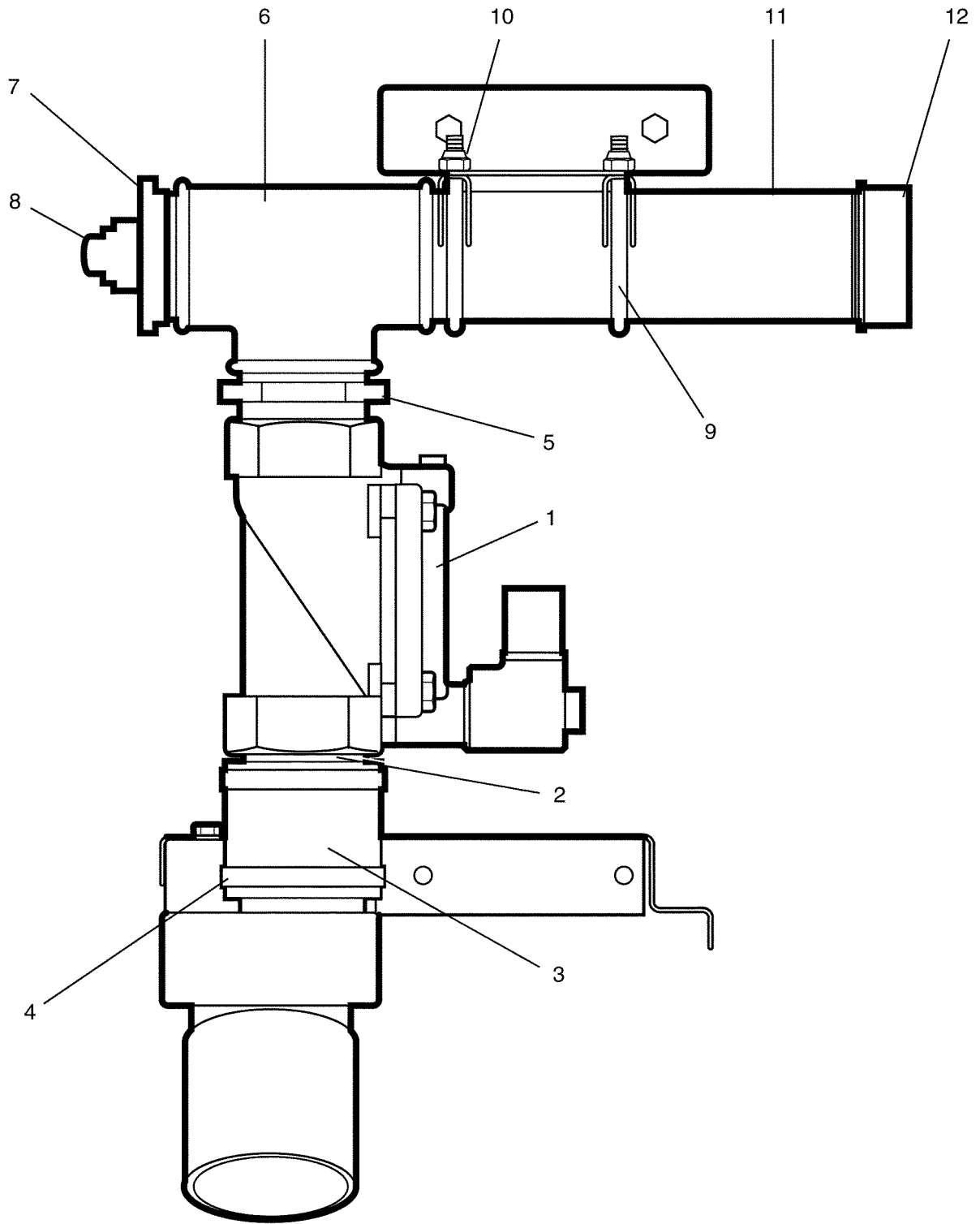
EX-200c

Level tube and test tap

Tuyau de niveau et robinet de test

Illustration Issue Month Year  
Schéma Issue Month Year  
101729/1 1 3 2000

Item Article	Qua Qua	Art.No Réf. article	Description	Description	Info Info	Notes Remarques
1	1	471 8665-03	Glass gauge	Tube à niveau d'eau	1	
2	3	471 2841-01	Bracket	Support de montage	3	
3	4	471 8164-01	Grommet	Oeillet	3	
4	RQ	471 8140-13	Hose	Flexible	1	PER 1M
5	2	736 2119-11	Hose clamp	Attache flexible	3	
6	1	472 6345-01	Elbow	Tube coudé	3	
7	1	471 8140-11	Hose	Flexible	1	
8	2	736 2816-51	Hose clamp	Attache flexible	3	Ø13-19
9	1	471 8238-01	Tap	Robinet	3	
10	1	471 8690-04	Muff	Tubulure	3	
11	1	471 8159-06	Gasket	Joint	3	
12	1	471 8614-04	Hose nipple	Mamelon de flexible	3	
13	1	471 8140-12	Hose	Flexible	1	
14	2	736 2816-51	Hose clamp	Attache flexible	3	Ø13-19
15	1	471 8628-21	Y-pipe	Collecteur	3	
16	1	471 8140-10	Hose	Flexible	1	
17	2	736 2816-51	Hose clamp	Attache flexible	3	Ø13-19
18	1	432 0064-01	Bracket	Support de montage	3	
19	2	471 8117-11	Hose	Flexible	1	
20	2	471 7858-04	Clamp	Attache	3	



101724

Issue	Month	Year
02	04	00



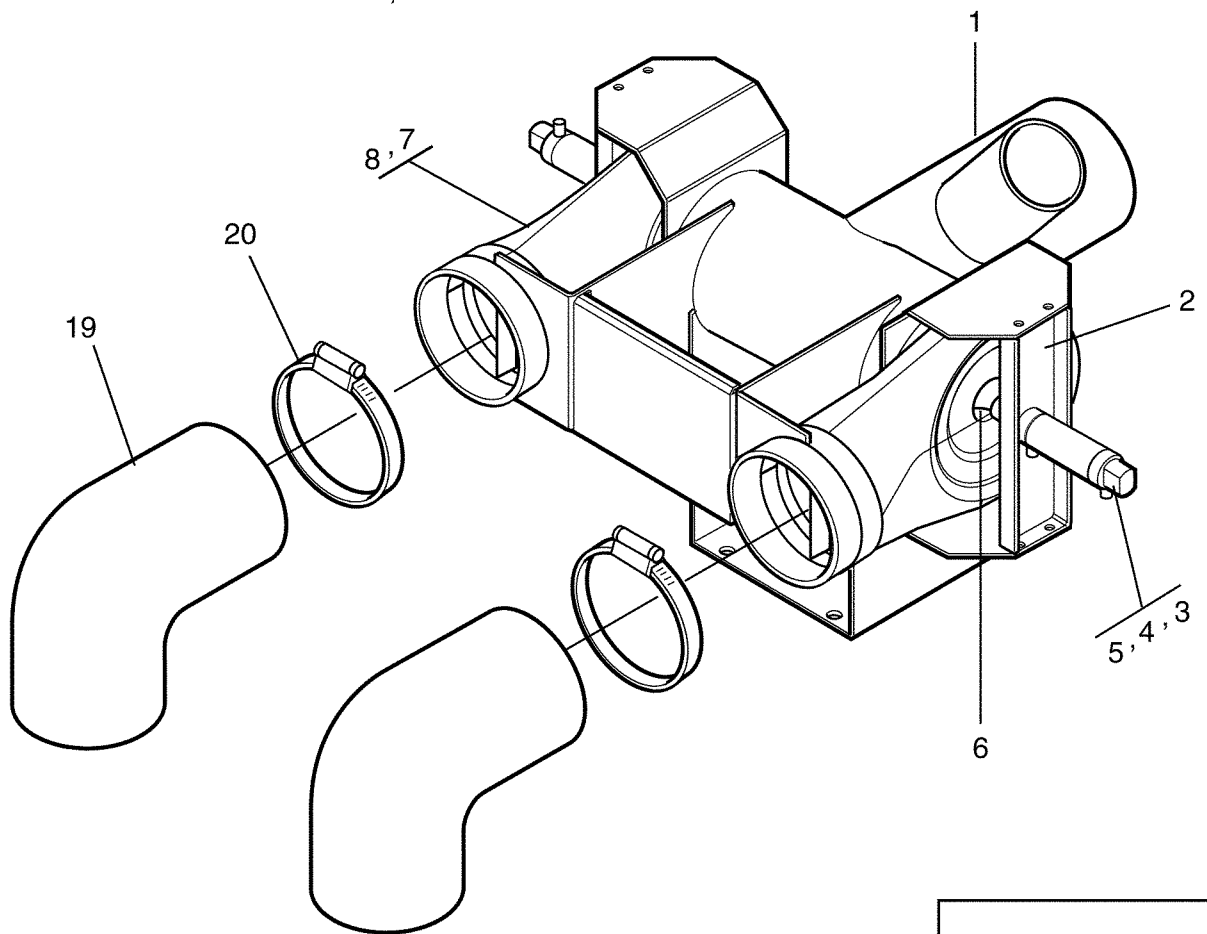
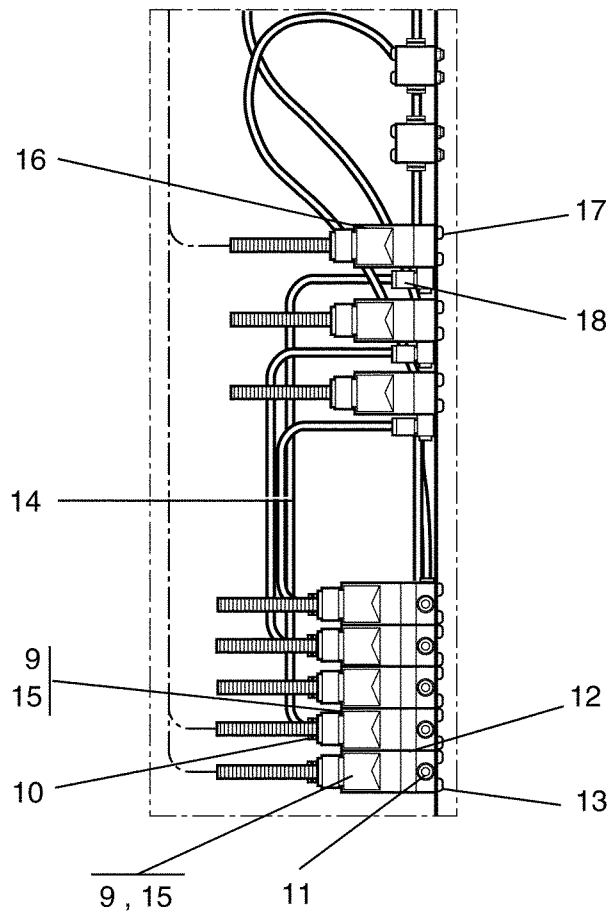
EX-200c

Third water valve

Soupapes vapeur et eau

Illustration	Issue	Month	Year
Schéma	Issue	Month	Year
101724/1	2	4	2000

Item Article	Qua Qua	Art.No Réf. article	Description	Description	Info Info	Notes Remarques
1	1	471 8210-52	Valve	Soupape	1,2	50Hz
	1	471 8210-51	Valve	Soupape	1,2	60Hz
2	1	472 6837-01	Pipe	Tube	3	
3	1	471 8128-21	Hose	Flexible	1	
4	2	736 2843-51	Hose clamp	Attache flexible	3	Ø63-73
5	1	471 8629-07	Muff	Tubulure	3	
6	1	471 8603-11	T-pipe	Tube en T	3	
7	1	471 8604-01	Bushing	Douille	3	
8	1	741 5115-00	Plug	Fiche	3	
9	2	471 7858-07	Clamp	Attache	3	
10	4	732 2118-01	Locking nut	Contre-écrou	3	M8
11	1	471 8608-11	Nipple pipe	Tuyau raccordement	3	
12	1	471 8657-06	Plug	Fiche	3	



Issue	Month	Year
01	08	99

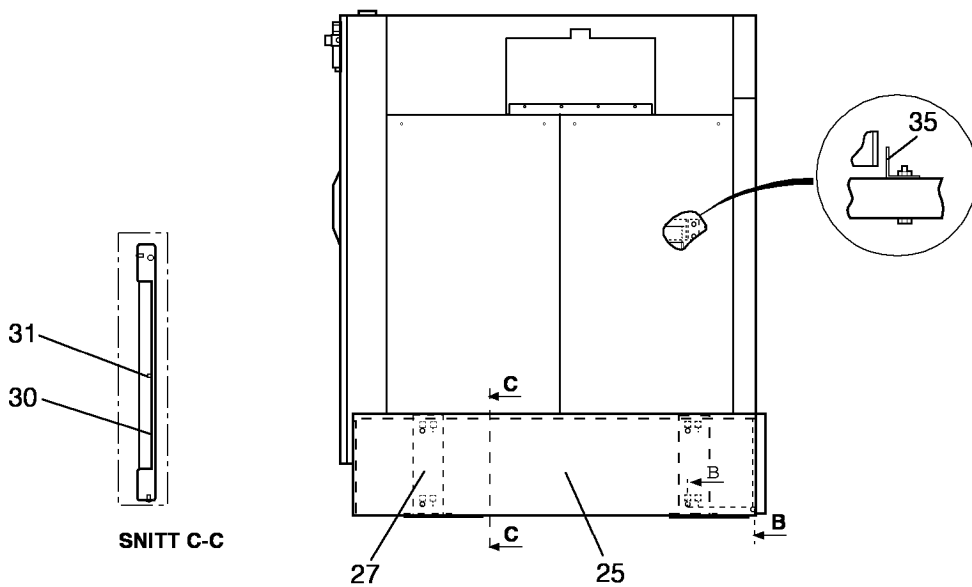
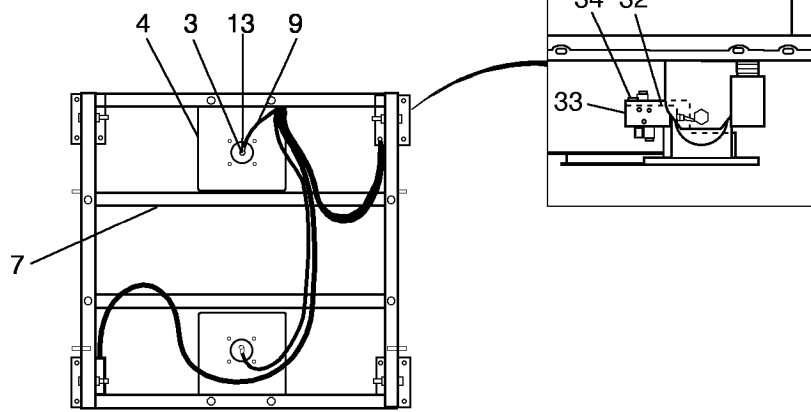
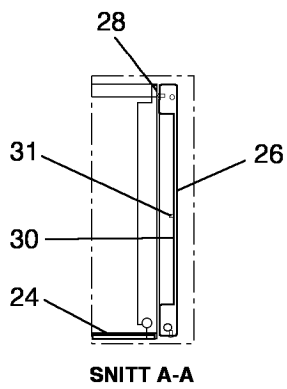
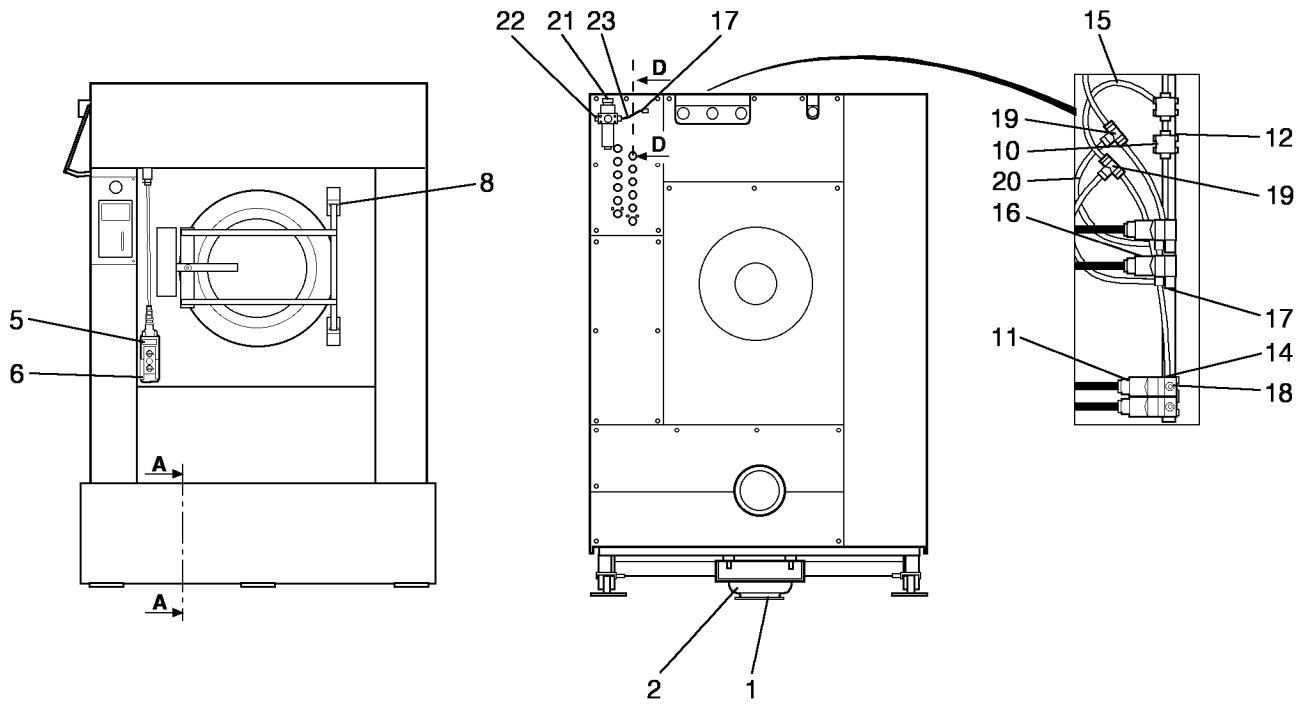
EX-200c

Drain valve and hoses, water recovery

Purgeur et flexibles, recyclage

Illustration Issue Month Year  
Schéma Issue Month Year  
101725/1 1 3 2000

Item Article	Qua Qua	Art.No Réf. article	Description	Description	Info Info	Notes Remarques
1	1	432 0484-01	Connection	Connexion	3	
2	1	438 4961-01	Bracket	Bride	3	
3	2	471 8281-01	Air cylinder	Air cylinder	1,2	
4	4	432 0067-01	Washer	Rondelle	3	
5	2	732 2118-01	Locking nut	Contre-écrou	3	M8
6	2	438 4924-01	Pressure plate	Plaque de pression	3	
7	2	438 4921-01	Hose	Flexible	1	
8	4	736 2855-51	Hose clamp	Attache flexible	3	Ø138
9	2	471 8229-01	Valve	Soupape	1,2	50Hz
	2	471 8229-02	Valve	Soupape	1,2	60Hz
10	1	471 8690-71	Connection	Embrayage	3	
11	2	471 8690-22	Connection	Connexion	3	
12	2	471 8626-03	Nipple	Raccord	3	
13	4	471 8341-24	Screw	Vis	3	MRX 5X12
14	1	438 8102-03	Hose	Flexible	1	
15	2	438 8102-02	Hose	Flexible	1	
16	1	471 9202-32	Solenoid valve	Électrovanne	1,2	50Hz
	1	471 9202-33	Solenoid valve	Électrovanne	1,2	60Hz
17	2	471 8341-13	Screw	Vis	3	MRT 4X10
18	1	471 8690-22	Connection	Connexion	3	
19	1	432 0047-01	Hose	Flexible	1	
20	1	736 2855-51	Hose clamp	Attache flexible	3	Ø138



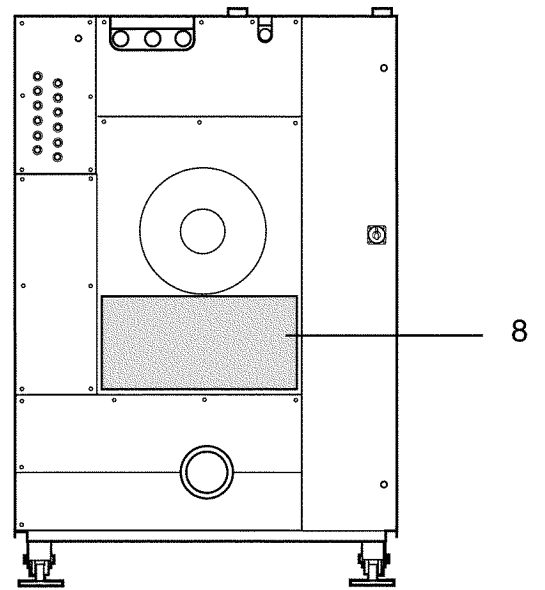
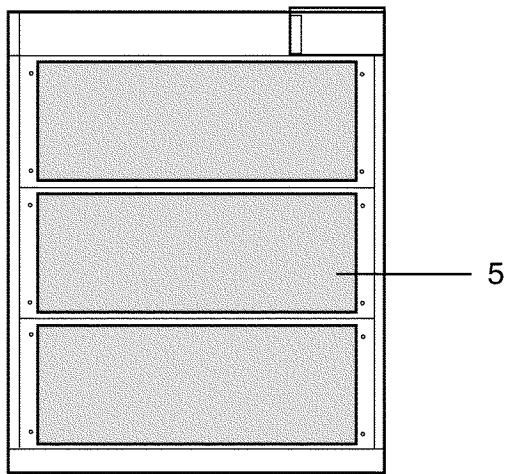
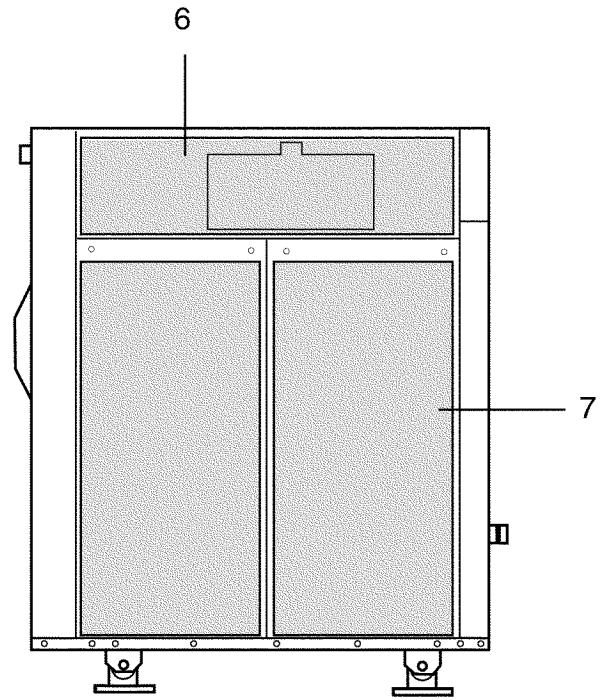
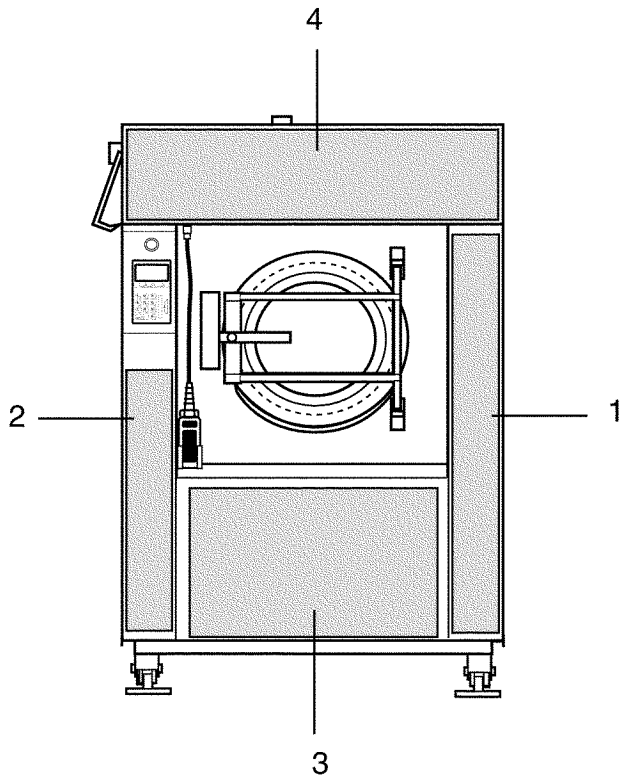
EX-200c

Tilt, forward and forward/backward

Basculement, avant et avant/arrière

Illustration Issue Month Year  
Schéma Issue Month Year  
101730/1 1 3 2000

Item Article	Qua Qua	Art.No Réf. article	Description	Description	Info Info	Notes Remarques
1	RQ	471 4207-01	Plate	Tableau	3	
2	RQ	471 8271-02	Cylinder	Cylindre	1	
3	RQ	471 8690-22	Connection	Connexion	1	
4	RQ	471 4005-62	Mounting plate	Plaque de montage	3	
5	1	471 8796-01	Cables	Câble	1	Control for tilting
6	1	432 0178-01	Bracket	Pièce de retenue	3	
7	RQ	472 7286-01	Beam	Poutre	3	
8	1	472 9388-04	Door locking device	Dispositif fermeture de porte	3	
9	RQ	438 8102-02	Hose	Flexible	1	
10	RQ	471 9582-01	Pressure sensor	Capteur de pression	1,2	
11	RQ	471 8229-01	Valve	Soupape	1,2	50Hz
	RQ	471 8229-02	Valve	Soupape	1,2	60Hz
12	RQ	471 8690-61	Y-pipe	Collecteur	3	
13	RQ	741 4102-20	Bushing	Douille	3	
14	RQ	471 8626-03	Nipple	Raccord	1	
15	RQ	438 8102-05	Hose	Flexible	1	PER 5M
16	RQ	471 9202-32	Solenoid valve	Électrovanne	1,2	50Hz
	RQ	471 9202-33	Solenoid valve	Électrovanne	1,2	60Hz
17	RQ	471 8690-22	Connection	Connexion	1	
18	RQ	471 8690-32	Connection	Embrayage	1	
19	RQ	471 8690-51	T-coupling	Raccord en T	3	
20	RQ	471 2453-45	Pipe	Tube	1	6X4X250
21	1	471 8203-01			3	
22	1	471 8690-31	Connection	Embrayage	1	
23	1	438 8102-03	Hose	Flexible	1	
24	4	472 9214-02	Plate	Plaque	3	
25	2	432 0424-01	Side cover	Protection latérale	3	
26	1	432 0423-01	Front panel	Panneau avant	3	
27	4	432 0062-01	Pillar	Montant	3	
28	2	471 8196-01	Plug	Fiche	3	
29	2	472 9209-01	Pin	Goupille	3	
30	3	432 0114-01	Plate	Plaque	3	
31	9	471 8641-01	Plug	Fiche	3	
32	RQ	471 8282-01	Valve	Soupape	1	
33	RQ	438 4899-01	Bracket	Pièce de retenue	3	
34	RQ	471 8690-22	Connection	Connexion	3	
35	RQ	472 7956-01	Angle	Coude	3	



101726

Issue	Month	Year
01	08	99

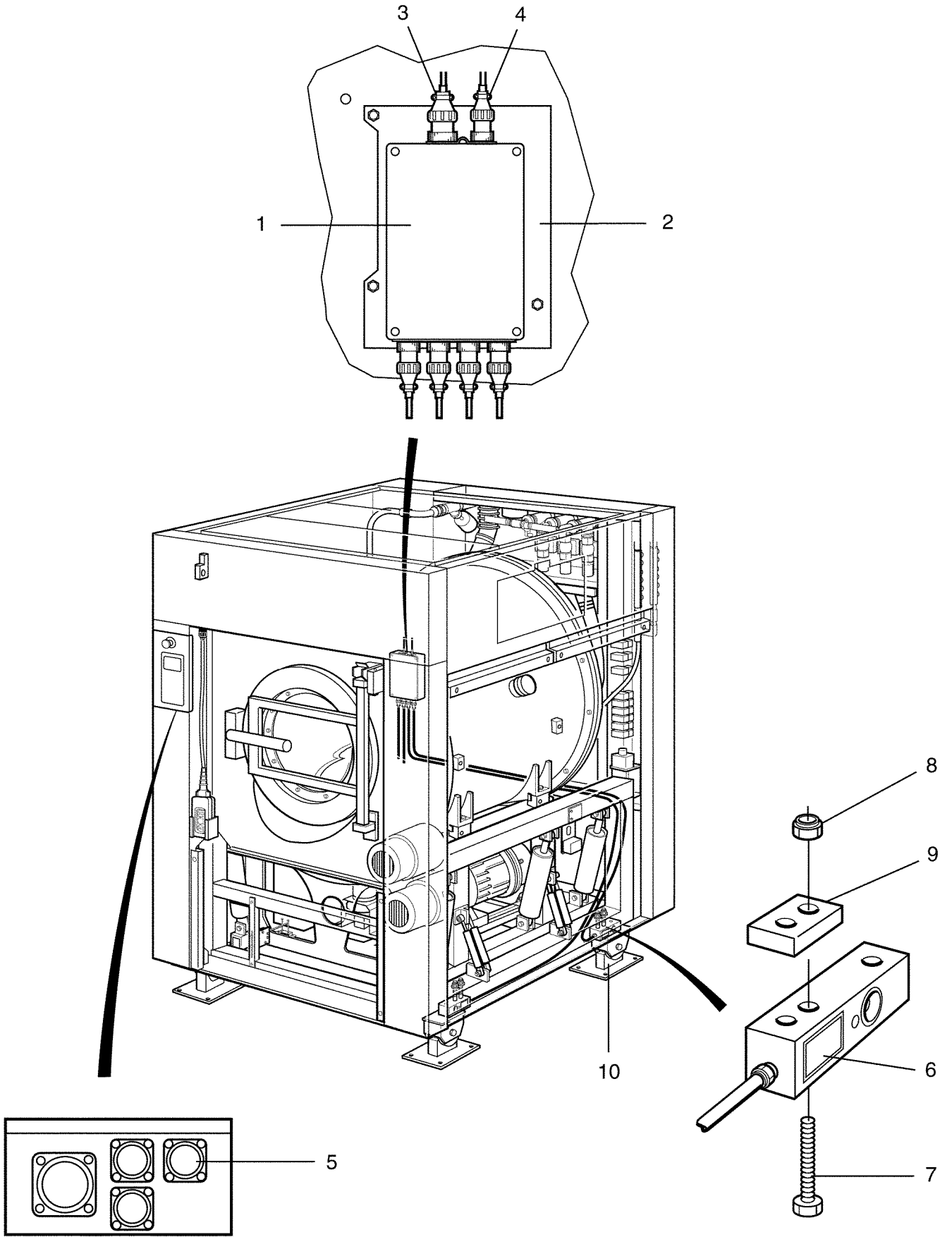
EX-200c

Insulation

Isolation

Illustration	Issue	Month	Year
Schéma	Issue	Month	Year
101726	1	3	2000

Item Article	Qua Qua	Art.No Réf. article	Description	Description	Info Info	Notes Remarques
1	1	471 7535-01	Shock absorber mat	Tapis amortisseur chocs	3	
2	1	471 7535-02	Shock absorber mat	Tapis amortisseur chocs	3	
3	1	471 7535-03	Shock absorber mat	Tapis amortisseur chocs	3	
4	2	471 7535-04	Shock absorber mat	Tapis amortisseur chocs	3	
5	3	471 7535-05	Shock absorber mat	Tapis amortisseur chocs	3	
6	2	471 7535-06	Shock absorber mat	Tapis amortisseur chocs	3	
7	4	471 7535-07	Shock absorber mat	Tapis amortisseur chocs	3	
8	1	471 7535-08	Shock absorber mat	Tapis amortisseur chocs	3	





EX-200c

Weighing device

Unité de balance

Illustration	Issue	Month	Year
Schéma	Issue	Month	Year
101727/1	1	3	2000

Item Article	Qua Qua	Art.No Réf. article	Description	Description	Info Info	Notes Remarques
1	1	471 8822-01	Weighing device	Unité de balance	1	
2	1	432 0468-01	Mounting plate	Plaque de montage	3	
3	1	471 8822-22	Cable	Câble	1	Signal
4	1	471 8822-21	Cable	Câble	1	Voltage
5	1	438 7300-83	Cable	Câble	1	
6	4	471 8822-11	Load cell	Load cell	1	With cablage
7	8	725 2561-51	Screw	Vis	3	M6S 12X160
8	8	732 2122-01	Locking nut	Contre-écrou	3	M12
9	12	432 0493-01	Washer	Rondelle	3	
10	4		Foot	Pied		



Numerical index/Numerical index

Art.No/Réf. article	Page/Page	Art.No/Réf. article	Page/Page	Art.No/Réf. article	Page/Page	Art.No/Réf. article	Page/Page
432 0008-01	11	432 0408-01	7	438 4972-01	41	471 4052-03	53
432 0008-03	11	432 0409-01	7	438 4982-01	41	471 4074-01	17
432 0028-01	23	432 0409-02	7	438 4982-01	45	471 4103-19	53
432 0029-01	23	432 0410-01	7	438 7300-40	15	471 4107-82	43
432 0030-01	13	432 0410-03	7	438 7300-43	25	471 4108-79	11
432 0032-01	41	432 0414-01	17	438 7300-72	33	471 4108-79	29
432 0034-01	11	432 0414-03	17	438 7300-83	65	471 4207-01	61
432 0034-01	23	432 0416-01	11	438 7300-86	21	471 4211-02	53
432 0035-01	49	432 0422-01	11	438 7950-01	17	471 4212-01	53
432 0042-01	7	432 0423-01	61	438 7950-02	17	471 4215-01	53
432 0042-02	7	432 0424-01	61	438 8102-02	59	471 4225-01	27
432 0042-03	7	432 0426-01	7	438 8102-02	61	471 4225-02	27
432 0047-01	41	432 0426-03	7	438 8102-03	59	471 4225-03	35
432 0047-01	59	432 0428-01	7	438 8102-03	61	471 4225-03	41
432 0062-01	61	432 0428-03	7	438 8102-05	61	471 4230-01	35
432 0064-01	55	432 0429-01	7	438 8152-01	15	471 4231-01	27
432 0066-01	11	432 0429-03	7	438 8152-01	17	471 4232-01	31
432 0067-01	45	432 0430-01	7	438 8152-02	17	471 4233-01	35
432 0067-01	59	432 0430-03	7	438 8152-03	15	471 4234-01	33
432 0074-01	49	432 0431-01	7	438 8152-03	17	471 4235-01	35
432 0113-01	23	432 0431-03	7	438 9555-01	17	471 4237-03	35
432 0114-01	61	432 0432-01	7	471 2260-95	41	471 4309-56	29
432 0117-01	9	432 0432-03	9	471 2264-03	17	471 4310-94	29
432 0137-01	17	432 0433-01	7	471 2265-69	17	471 4310-95	29
432 0138-01	17	432 0433-03	7	471 2277-86	31	471 4391-01	41
432 0142-01	17	432 0434-01	7	471 2277-86	33	471 4605-30	13
432 0143-01	15	432 0434-03	7	471 2277-91	31	471 4633-86	35
432 0146-01	15	432 0436-01	7	471 2277-91	33	471 4633-90	35
432 0149-01	15	432 0436-03	7	471 2277-92	31	471 4634-36	33
432 0150-01	15	432 0437-01	51	471 2277-92	33	471 4634-37	31
432 0151-01	23	432 0438-01	47	471 2409-89	11	471 4634-52	43
432 0152-01	23	432 0440-01	41	471 2409-89	47	471 4640-71	29
432 0153-01	23	432 0442-01	7	471 2409-89	49	471 4640-72	29
432 0158-01	25	432 0443-01	9	471 2409-89	53	471 4640-73	29
432 0159-01	25	432 0452-01	7	471 2413-33	53	471 4641-08	39
432 0161-01	25	432 0452-03	7	471 2417-21	43	471 4641-10	39
432 0164-01	25	432 0453-01	7	471 2417-25	43	471 4641-15	51
432 0167-01	25	432 0453-03	7	471 2418-14	23	471 4641-26	11
432 0170-01	11	432 0460-01	19	471 2426-54	13	471 4647-80	43
432 0170-01	25	432 0460-02	19	471 2429-80	53	471 4647-83	51
432 0173-01	15	432 0460-03	19	471 2430-78	49	471 4835-01	47
432 0175-01	17	432 0460-04	19	471 2436-02	49	471 5511-01	23
432 0178-01	61	432 0461-01	19	471 2440-40	17	471 5516-03	23
432 0400-01	7	432 0465-04	13	471 2449-94	49	471 5523-00	23
432 0401-01	7	432 0468-01	65	471 2449-95	17	471 5525-01	23
432 0402-01	7	432 0478-01	41	471 2453-45	49	471 5560-00	7
432 0402-02	7	432 0484-01	59	471 2453-45	61	471 5564-00	7
432 0402-04	7	432 0486-01	41	471 2461-04	49	471 5617-00	51
432 0402-05	7	432 0493-01	65	471 2461-25	23	471 5631-00	23
432 0402-07	7	432 0801-01	15	471 2461-27	23	471 6668-98	13
432 0402-08	7	432 0801-03	15	471 2461-40	23	471 6696-93	35
432 0403-01	7	432 0801-04	15	471 2841-01	55	471 6843-01	9
432 0403-02	7	432 0801-05	15	471 4005-62	61	471 6843-02	9
432 0403-04	7	438 0268-01	21	471 4005-75	43	471 6843-04	9
432 0404-01	7	438 0299-01	17	471 4005-76	43	471 7182-14	19
432 0405-01	7	438 4273-11	7	471 4005-90	41	471 7476-01	25
432 0405-02	7	438 4273-11	13	471 4005-90	43	471 7477-01	25
432 0405-03	7	438 4832-01	23	471 4021-00	43	471 7535-01	63
432 0405-04	7	438 4899-01	61	471 4023-00	43	471 7535-02	63
432 0405-05	7	438 4921-01	45	471 4024-00	43	471 7535-03	63
432 0405-06	7	438 4921-01	59	471 4039-02	53	471 7535-04	63
432 0405-07	7	438 4924-01	45	471 4041-01	53	471 7535-05	63
432 0405-08	7	438 4924-01	59	471 4044-01	53	471 7535-06	63
432 0406-01	11	438 4951-01	45	471 4045-01	53	471 7535-07	63
432 0406-02	11	438 4961-01	45	471 4050-01	53	471 7535-08	63
432 0407-01	7	438 4961-01	59	471 4051-01	53	471 7701-50	27

Numerical index/Numerical index

Art.No/Réf. article	Page/Page	Art.No/Réf. article	Page/Page	Art.No/Réf. article	Page/Page	Art.No/Réf. article	Page/Page
471 7702-50	27	471 8281-01	59	471 8626-03	61	471 9075-57	53
471 7714-01	9	471 8282-01	61	471 8628-21	49	471 9202-11	33
471 7714-02	9	471 8319-01	35	471 8628-21	55	471 9202-12	33
471 7803-19	23	471 8341-07	23	471 8629-07	47	471 9202-32	49
471 7830-01	17	471 8341-07	25	471 8629-07	57	471 9202-32	59
471 7837-01	15	471 8341-07	37	471 8631-04	53	471 9202-32	61
471 7837-30	15	471 8341-11	37	471 8632-05	53	471 9202-33	49
471 7837-40	15	471 8341-13	15	471 8634-05	53	471 9202-33	59
471 7837-50	15	471 8341-13	23	471 8641-01	61	471 9202-33	61
471 7837-60	15	471 8341-13	59	471 8643-01	53	471 9203-62	53
471 7855-01	51	471 8341-17	23	471 8657-05	51	471 9204-93	7
471 7855-02	41	471 8341-17	33	471 8657-06	47	471 9209-24	23
471 7858-03	51	471 8341-17	37	471 8657-06	57	471 9219-52	35
471 7858-04	55	471 8341-19	37	471 8665-03	55	471 9219-86	43
471 7858-05	49	471 8341-22	23	471 8690-04	55	471 9223-93	27
471 7858-07	41	471 8341-24	25	471 8690-22	43	471 9223-94	27
471 7858-07	47	471 8341-24	59	471 8690-22	49	471 9224-60	29
471 7858-07	57	471 8342-04	37	471 8690-22	51	471 9228-03	51
471 7876-01	25	471 8344-13	53	471 8690-22	59	471 9228-37	27
471 7911-01	21	471 8344-24	25	471 8690-22	61	471 9228-38	27
471 7912-01	21	471 8344-24	53	471 8690-31	61	471 9228-39	27
471 7958-01	17	471 8344-28	23	471 8690-32	61	471 9228-40	27
471 7958-01	19	471 8345-23	25	471 8690-51	61	471 9228-49	29
471 7976-01	25	471 8348-17	33	471 8690-61	61	471 9228-97	23
471 8116-03	53	471 8362-01	15	471 8690-71	49	471 9228-98	23
471 8117-04	49	471 8362-10	15	471 8690-71	59	471 9529-06	19
471 8117-11	55	471 8362-20	15	471 8690-81	49	471 9529-10	17
471 8118-01	15	471 8362-30	15	471 8750-11	17	471 9550-05	19
471 8126-24	51	471 8362-40	15	471 8756-51	17	471 9550-21	17
471 8128-21	47	471 8362-50	15	471 8762-04	17	471 9550-22	17
471 8128-21	57	471 8362-60	15	471 8775-03	35	471 9552-11	35
471 8128-55	41	471 8454-01	15	471 8775-04	35	471 9552-12	35
471 8140-10	55	471 8502-14	25	471 8776-01	35	471 9552-13	35
471 8140-11	55	471 8502-14	39	471 8780-05	21	471 9557-02	35
471 8140-12	55	471 8502-14	51	471 8781-01	17	471 9557-03	35
471 8140-13	55	471 8517-01	53	471 8781-01	21	471 9557-51	35
471 8155-02	13	471 8519-01	35	471 8781-02	17	471 9557-53	35
471 8159-01	43	471 8519-02	35	471 8781-02	21	471 9577-01	19
471 8159-06	55	471 8519-03	35	471 8781-03	17	471 9582-01	61
471 8164-00	15	471 8519-04	35	471 8781-03	21	471 9604-00	19
471 8164-00	17	471 8519-05	35	471 8781-04	17	471 9604-03	19
471 8164-01	53	471 8519-06	35	471 8781-11	17	471 9608-01	39
471 8164-01	55	471 8519-14	35	471 8781-11	21	471 9625-02	23
471 8174-02	53	471 8551-04	13	471 8792-01	17	471 9625-03	25
471 8192-01	11	471 8552-00	13	471 8793-01	15	471 9625-03	37
471 8196-01	61	471 8575-00	43	471 8796-01	61	471 9628-22	15
471 8203-01	61	471 8576-01	53	471 8822-01	65	471 9628-32	15
471 8210-51	47	471 8576-03	11	471 8822-11	65	471 9628-33	15
471 8210-51	57	471 8576-04	11	471 8822-21	65	471 9628-90	15
471 8210-52	47	471 8577-02	23	471 8822-22	65	471 9638-03	19
471 8210-52	57	471 8577-02	53	471 8859-01	17	471 9638-04	19
471 8222-02	51	471 8603-11	47	471 8859-07	17	471 9638-13	19
471 8229-01	49	471 8603-11	57	471 8992-12	19	471 9638-14	19
471 8229-01	59	471 8604-01	47	471 8993-01	15	471 9649-01	17
471 8229-01	61	471 8604-01	49	471 8995-01	17	471 9649-01	21
471 8229-02	49	471 8604-01	57	471 8995-02	17	471 9649-02	17
471 8229-02	59	471 8604-04	51	471 8995-03	17	471 9649-02	21
471 8229-02	61	471 8608-11	47	471 8997-02	15	471 9649-11	17
471 8232-12	51	471 8608-11	57	471 9004-75	27	471 9678-33	17
471 8234-52	49	471 8613-07	41	471 9004-75	37	471 9678-62	17
471 8234-95	49	471 8613-08	41	471 9018-59	29	471 9678-93	17
471 8235-51	53	471 8614-02	53	471 9037-73	45	471 9678-95	17
471 8236-57	53	471 8614-04	55	471 9043-01	35	471 9737-01	27
471 8238-01	55	471 8625-02	13	471 9043-21	11	471 9737-02	27
471 8271-02	61	471 8626-03	49	471 9063-05	53	471 9751-01	19
471 8281-01	45	471 8626-03	59	471 9065-37	43	471 9751-02	19

Numerical index/Numerical index

Art.No/Réf. article	Page/Page	Art.No/Réf. article	Page/Page	Art.No/Réf. article	Page/Page	Art.No/Réf. article	Page/Page
472 5771-01	15	472 7963-01	35	731 2320-01	31	736 2816-51	45
472 6024-00	41	472 9070-01	43	731 2320-01	33	736 2816-51	49
472 6025-00	41	472 9072-01	43	731 2324-01	29	736 2816-51	53
472 6030-01	53	472 9073-01	43	732 2110-01	23	736 2816-51	55
472 6208-00	23	472 9075-01	43	732 2110-01	25	736 2825-51	49
472 6211-00	23	472 9076-01	43	732 2110-01	37	736 2825-51	53
472 6345-01	55	472 9209-01	61	732 2112-01	37	736 2831-51	51
472 6390-02	39	472 9214-02	61	732 2116-01	37	736 2840-51	11
472 6810-01	11	472 9361-01	23	732 2116-01	39	736 2840-51	41
472 6812-01	11	472 9373-01	23	732 2116-01	43	736 2840-51	47
472 6814-01	11	472 9375-01	23	732 2116-01	45	736 2840-51	49
472 6817-01	11	472 9388-04	61	732 2118-01	39	736 2840-51	53
472 6818-03	11	472 9913-22	11	732 2118-01	45	736 2843-51	47
472 6835-01	51	724 1285-42	53	732 2118-01	47	736 2843-51	57
472 6837-01	47	724 1331-42	53	732 2118-01	49	736 2849-51	41
472 6837-01	57	724 1335-01	53	732 2118-01	51	736 2849-51	43
472 6843-01	53	724 1337-01	39	732 2118-01	57	736 2849-51	47
472 6891-01	35	725 2325-51	13	732 2118-01	59	736 2855-51	41
472 6892-01	35	725 2327-51	23	732 2120-01	11	736 2855-51	43
472 6893-01	35	725 2366-61	39	732 2120-01	23	736 2855-51	59
472 6902-01	27	725 2366-61	45	732 2122-01	43	736 2865-51	45
472 6902-01	31	725 2368-51	35	732 2122-01	65	736 2867-51	43
472 6902-02	27	725 2374-51	43	732 2124-01	11	738 2104-03	31
472 6902-02	33	725 2451-42	13	732 2124-01	27	738 2210-18	35
472 6902-03	27	725 2451-51	9	732 2124-01	31	738 2304-33	33
472 6902-03	33	725 2461-51	25	732 2124-01	33	738 2311-34	35
472 6903-01	31	725 2461-51	43	732 2124-01	35	738 6117-13	23
472 6903-01	33	725 2464-42	13	732 2124-01	41	738 8810-01	13
472 6904-01	31	725 2466-51	39	732 2222-01	11	741 3109-21	51
472 6904-01	33	725 2491-51	13	732 2312-42	53	741 3115-11	49
472 6904-02	33	725 2493-51	11	732 3116-14	23	741 4102-20	61
472 6907-01	31	725 2497-51	31	734 1124-01	23	741 5115-00	47
472 6907-01	33	725 2497-51	33	734 1124-01	25	741 5115-00	49
472 6908-01	13	725 2507-51	11	734 1124-01	37	741 5115-00	57
472 6909-01	13	725 2536-42	23	734 1136-01	23	741 5217-25	51
472 6910-01	13	725 2538-51	11	734 1146-01	53	742 5115-11	49
472 6914-03	27	725 2540-51	35	734 1146-09	25	762 7202-57	27
472 6914-03	35	725 2556-51	11	734 1153-01	43	762 7412-57	27
472 6914-04	27	725 2561-51	65	734 1153-09	23	762 9105-05	37
472 6914-04	35	725 2624-51	29	734 1164-09	13	767 5103-12	19
472 6914-05	35	725 2628-51	11	734 1164-09	53	767 5103-18	19
472 6914-06	35	725 2632-51	11	734 1173-01	11	767 5104-12	19
472 6916-01	13	725 2634-51	13	734 1173-01	31	767 5104-18	19
472 6917-10	13	725 2634-51	27	734 1173-01	33	874 6611-01	35
472 6920-01	11	725 2636-51	11	734 1173-09	13	874 7601-08	13
472 6921-04	11	725 2636-51	13	734 1173-09	53		
472 6924-10	13	725 2640-51	11	734 1178-01	11		
472 6927-01	13	725 2640-51	31	734 1178-01	43		
472 6929-01	13	725 2640-51	33	734 1178-09	53		
472 6930-01	13	725 5340-01	53	734 1186-01	13		
472 6931-01	13	725 5493-01	11	734 1186-01	31		
472 6932-10	13	725 5493-01	35	734 1186-01	33		
472 6934-10	11	725 6491-42	13	734 1808-51	37		
472 6934-10	13	728 8362-01	13	735 3122-00	31		
472 6936-10	13	728 8362-11	23	735 3122-00	33		
472 6952-01	43	728 8445-01	23	735 3138-10	31		
472 6954-01	13	728 8489-01	27	735 3143-10	33		
472 7264-01	17	729 9342-61	27	735 3144-00	35		
472 7286-01	61	731 2120-01	31	735 3154-10	29		
472 7946-02	27	731 2120-01	33	735 3160-10	35		
472 7946-02	37	731 2314-01	39	735 3171-10	35		
472 7947-02	37	731 2314-92	53	735 3179-00	13		
472 7948-01	37	731 2316-01	23	735 3187-10	13		
472 7949-01	37	731 2318-01	25	735 9435-01	35		
472 7950-01	37	731 2318-01	43	735 9561-00	35		
472 7956-01	61	731 2318-42	53	736 2119-11	55		

Numerical index/Numerical index

Art.No/Réf. article Page/Page Art.No/Réf. article Page/Page Art.No/Réf. article Page/Page Art.No/Réf. article Page/Page

Art.No/Réf. article	Page/Page	Art.No/Réf. article	Page/Page	Art.No/Réf. article	Page/Page	Art.No/Réf. article	Page/Page



## **WASCOMAT**

461 Doughty Blvd., Inwood, L.I., N.Y. 11096-0338

Telephone: 516-371-4400

Parts and Service FAX: 516-371-4029

Sales and Administration FAX: 516-371-4204