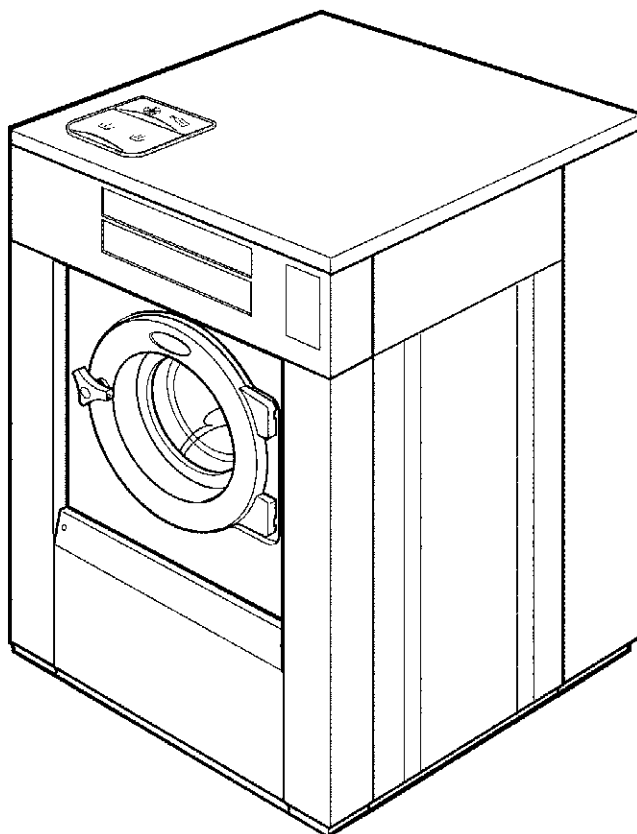


WASCOMAT

Spare Parts Catalogue

Catalogue de pièces de rechange



EX640c/s

Washer extractor

Laveuses essoreuses

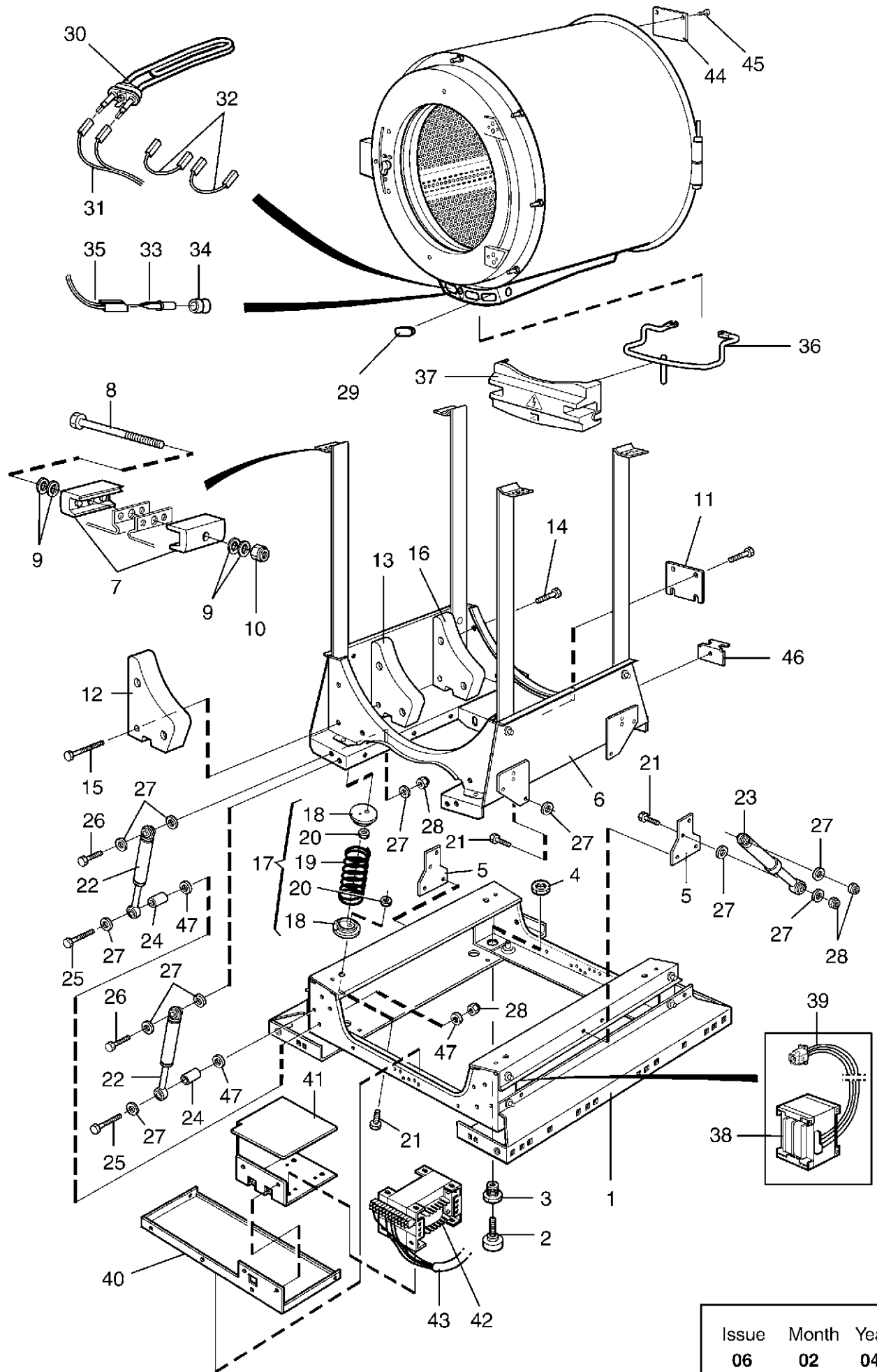
List of issues

EX640c,EX640s

Illustration	Page	Table of contents
101758	17	Motor
101760	11	Drum, rear gable
101764	27	Electrical components Exacta
101765	33	Electrical components Clarus
101766	41	Motor control
101767	53	Drain valve and hoses
101769	19	Control panel Exacta
101770	31	Control panel Clarus
101771	59	Detergent container
101772	51	Drain valve
101776	15	Door lock
101785	13	Door and hinged joint
101790	45	Water connections
101791	43	Electric components connection
101792	47	Inlet valves and cable set
101914	65	Lubrication
101916	7	Base and outer drum
101918	57	Steam components
101922	63	Out of balance switch
101924	55	Drain valve, electrical
101928	29	Electrical components Exacta
101931	61	Spray system
101960	9	Lining and top panel
101969	73	Technical documentation
101983	67	Coin meter with slot locking device
102107	71	CMIS
102195	49	Inlet valves and cable set

EX640c,EX640s

Table of contents	Table des matières	Page/Page
Base and outer drum	Base et tambour externe	7
Lining and top panel	Panneau frontal avec pupitre de commande	9
Drum, rear gable	Tambour, pignon arrière	11
Door and hinged joint	Assemblage articulé et plaque	13
Door lock	Serrure de porte	15
Motor	Moteur	17
Control panel Exacta	Pupitre de commande Exacta	19
Electrical components Exacta	Composants électriques Exacta	27
Electrical components Exacta	Composants électriques Exacta	29
Control panel Clarus	Pupitre de commande Clarus	31
Electrical components Clarus	Composants électriques Clarus	33
Motor control	Contrôle du moteur	41
Electric components connection	Composants électriques raccordement électrique	43
Water connections	Raccords d'eau	45
Inlet valves and cable set	Inlet valves and cable set	47
Inlet valves and cable set	Inlet valves and cable set	49
Drain valve	Purgeur	51
Drain valve and hoses	Purgeur et flexible	53
Drain valve, electrical	Drain valve, electrical	55
Steam components	Composants	57
Detergent container	Compartiment à savon	59
Spray system	Assemblage articulé et plaque	61
Out of balance switch	Commutateur asymétrique	63
Lubrication	Lubrification	65
Coin meter with slot locking device	Coin meter with slot locking device	67
CMIS	CMIS	71
Technical documentation	Documentation technique	73



Issue	Month	Year
06	02	04

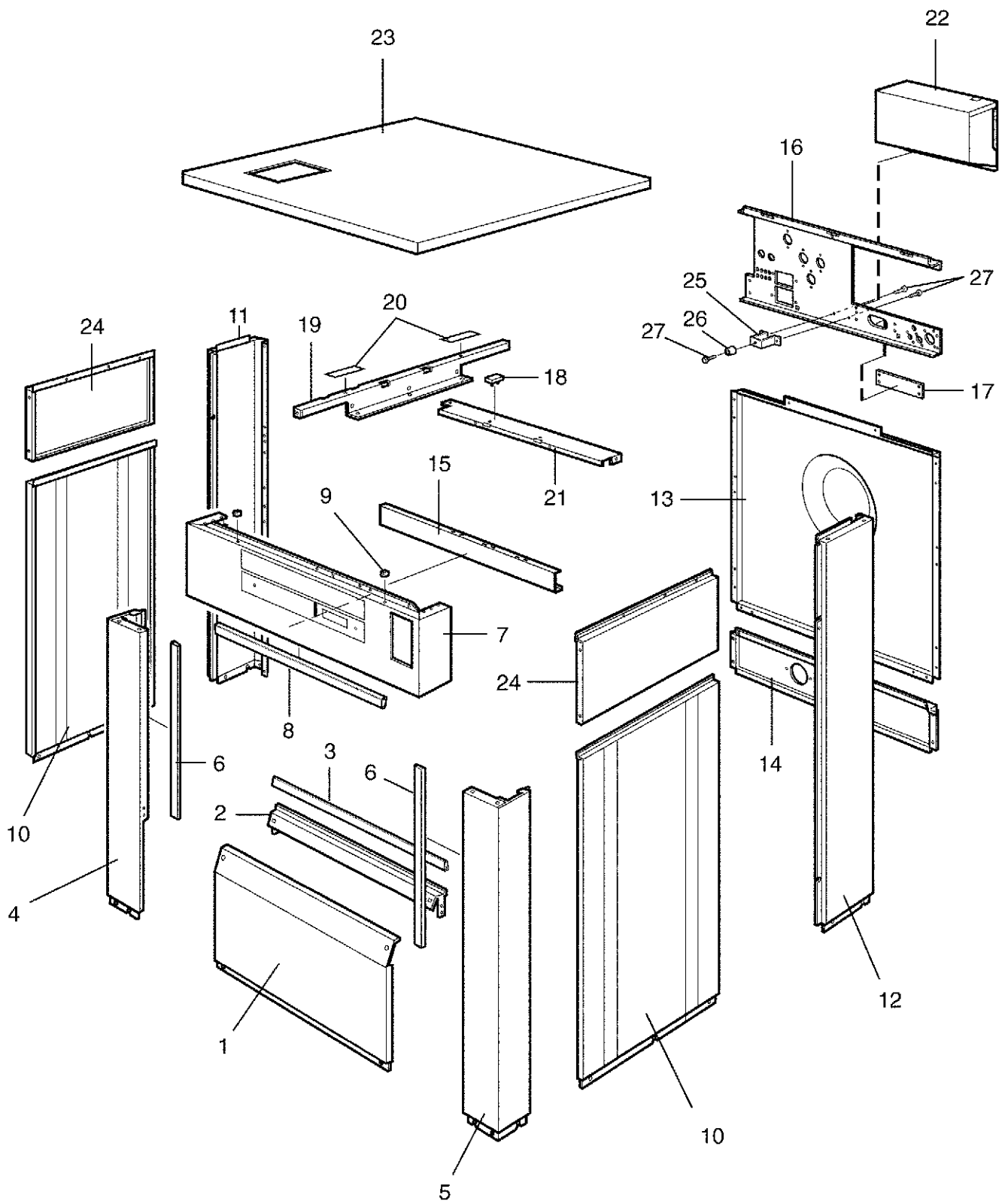
EX640c,EX640s

Base and outer drum

Base et tambour externe

Illustration Issue Month Year
Schéma Issue Month Year
101916/5 10 5 2004

Item Article	Qua. Qua.	Art.No Réf. article	Description	Description	Info Info	Notes Remarques
1	1	432 1361-01	Frame	Base	3	Lower
2	4	438 8156-01	•Foot	•Pied	3	
3	4	432 1458-01	•Bushing	•Douille	3	
4	4	471 8413-01	•Nut	•Écrou	3	M20
5	2	432 1470-01	•Bracket	•Support de montage	3	Middle
6	1	432 1362-01	Frame	Base	3	Upper
7	4	432 1453-01	•Tensioner	•Crochet	3	
8	2	725 2465-71	•Screw	•Vis	3	M8X70
9	8	471 7807-02	•Tension plate	•Tôle de serrage	3	18x8,4x2
10	2	732 2118-01	•Locking nut	•Contre-écrou	3	M8
11	1	432 1651-01	•Bracket	•Support	3	
12	2	432 1356-01	•Counterweight	•Contrepoids	3	
13	2	432 1357-01	•Counterweight	•Contrepoids	3	
14	6	471 8328-09	•Screw	•Vis	3	M10X20
15	6	471 8328-08	•Screw	•Vis	3	M10X80
16	2	432 1360-01	•Counterweight	•Contrepoids	3	
17	1	472 9913-06	Suspension	Suspension	1	Kit compl.
18	8		•Spring retainer	•Montage suspension		
19	4		•Spring	•Ressort		
20	8		•Nut	•Écrou		
21	8	471 8328-05	Screw	Vis	3	M8X20
22	1	472 9913-10	Shock absorber	Amortisseur	1	Complete kit 8, pcs
23	1	472 9913-11	Shock absorber	Amortisseur	1	Complete kit, 2 pcs
24	8	471 8555-03	Bushing	Douille	3	
25	8	725 2464-51	Screw	Vis	3	M8X65
* 26	12	725 2461-51	Screw	Vis	3	M8X50
27	32	471 8502-34	Washer	Rondelle	3	8,4x24x2
28	20	732 2118-01	Locking nut	Contre-écrou	3	M8
29	3	471 9822-99	Plug	Fiche	3	
30	3	471 9822-11	Heating element	Élément chauffant	1,2	6kW 240V
	3	471 9822-12	Heating element	Élément chauffant	1,2	6kW 254V
	3	471 9823-31	Heating element	Élément chauffant	1,2	3,55kW 240V, Mop
*	3	471 9823-32	Heating element	Élément de chauffage	1,2	240V 3.55kW
	3	471 9822-13	Heating element	Élément chauffant	1,2	6kW 277V
31	1	432 2951-03	Cable set	Jeu de câbles	3	400V
	1	432 2952-02	Cable set	Jeu de câbles	3	230V 1AC/230V 3AC
32	1	432 2953-02	Cable set	Jeu de câbles	3	400V
33	1	472 9913-22	Sensor	Capteur	1,2	Complete
34	1	471 8192-01	•Bushing	•Douille	1	
35	1	432 3082-77	Cable set	Jeu de câbles	3	
36	1	432 1653-01	Clamp	Bride de fixation	3	
37	1	432 1654-01	Cover	Couvercle	3	
* 38	1	471 9550-54	Transformer	Transformateur	1	200V
*	1	471 9550-59	Transformer	Transformateur	1	356V,380V,415V,440V,480V
39	1	432 2985-01	Cable set	Jeu de câbles	3	
40	1	432 1420-01	Beam	Poutre	3	
41	1	432 1421-01	Bracket	Pupitre	3	
42	1	438 9563-01	Transformer	Transformateur	1	
43	1	432 2977-01	Cable set	Jeu de câbles	3	
44	1	432 1649-01	Plate	Tableau	3	
45	8	471 8328-05	Screw	Vis	3	M8X20
46	2	432 1336-01	Guide	Guide	3	
47	16	471 8502-34	Washer	Rondelle	3	8,4x24x2



Issue	Month	Year
03	04	03

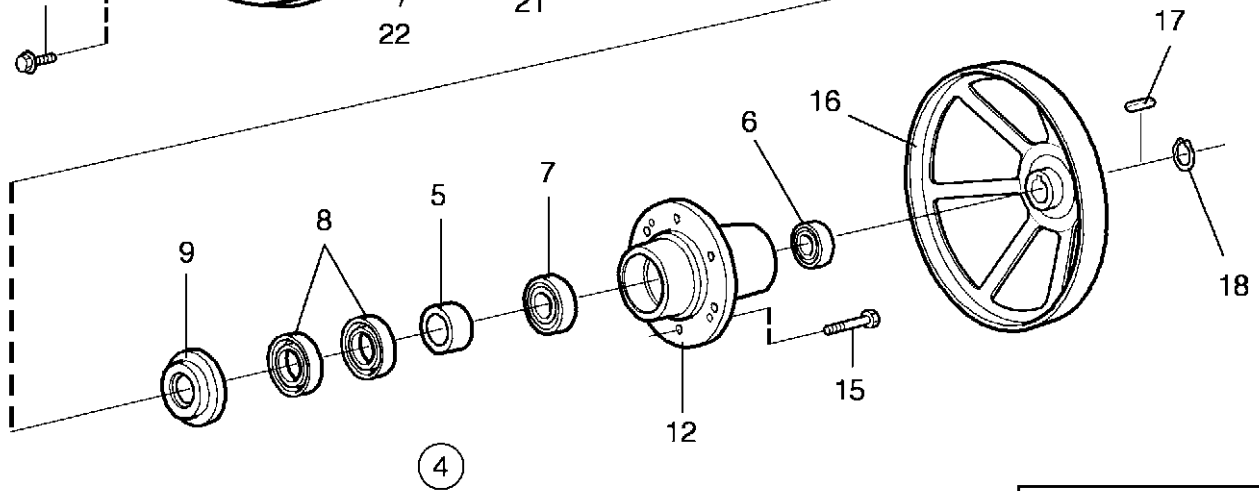
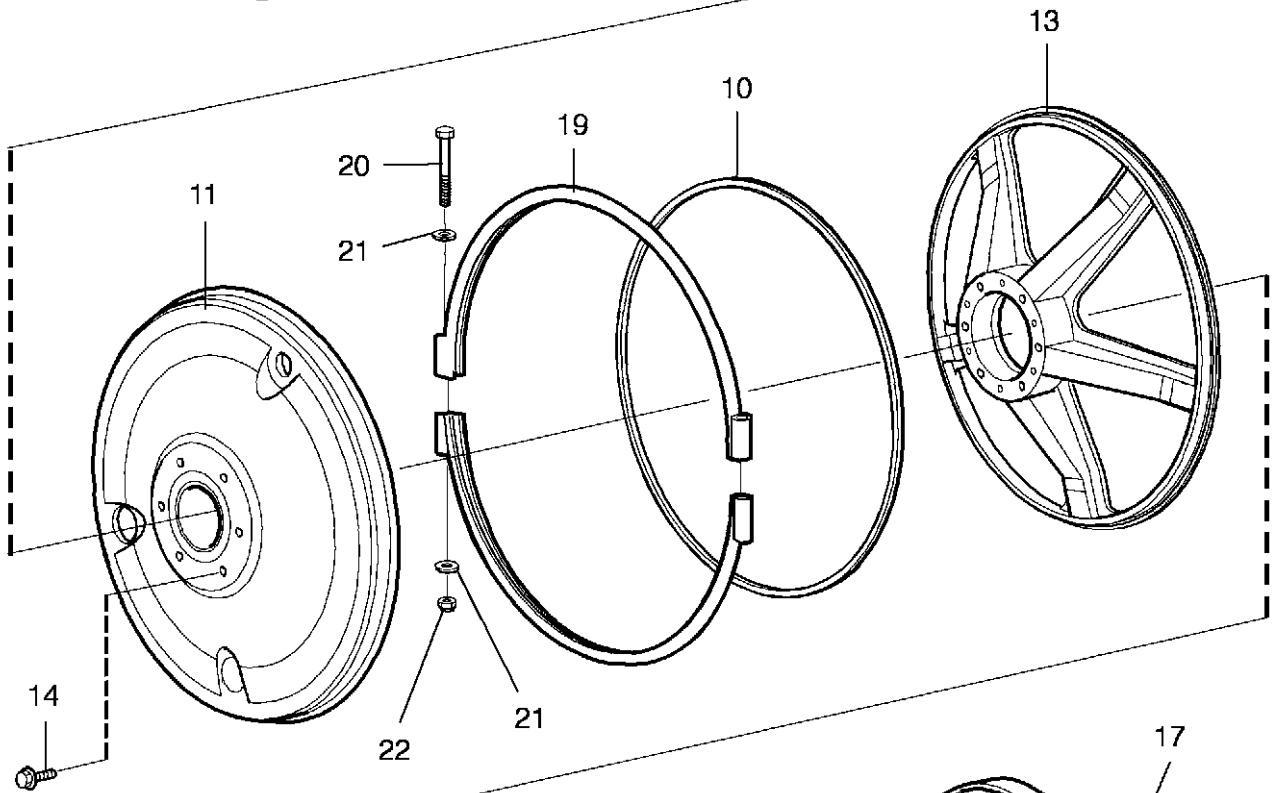
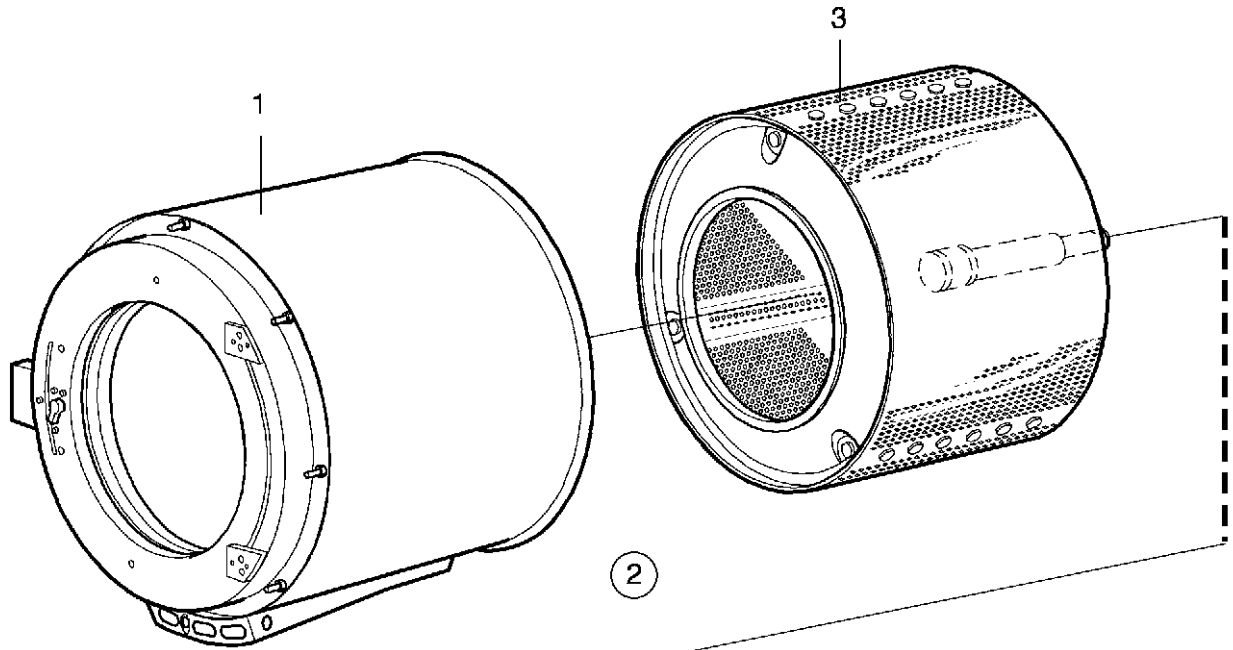
EX640c,EX640s

Lining and top panel

Panneau frontal avec pupitre de commande

Illustration Issue Month Year
Schéma Issue Month Year
101960/2 6 6 2003

Item Article	Qua. Qua.	Art.No Réf. article	Description	Description	Info Info	Notes Remarques
1	1	432 2003-01	Front plate	Panneau avant	3	Stainless
2	1	432 2135-02	Brace	Montant	3	
3	1	432 2163-15	Rubber strip	Joint caoutchouc	3	L=730
4	1	432 2051-01	Pillar	Montant	3	Stainless Left
5	1	432 2051-02	Pillar	Montant	3	Stainless Right
6	2	432 2163-13	Rubber strip	Joint caoutchouc	3	L=760
7	3	471 8342-15	Screw	Vis	3	
8	1	432 2163-13	Rubber strip	Joint caoutchouc	3	L=760
9	2	438 5335-01	Guide	Guide	3	
10	2	432 2034-01	Side panel	Panneau latéral	3	White
	2	432 2034-10	Side panel	Panneau latéral	3	Stainless
11	1	432 2035-01	Side panel	Panneau latéral	3	Grey Left
	1	432 2035-03	Side panel	Panneau latéral	3	White Left
	1	432 2035-10	Side panel	Panneau latéral	3	Stainless Left
12	1	432 2035-02	Side panel	Panneau latéral	3	Grey Right
	1	432 2035-04	Side panel	Panneau latéral	3	White Right
	1	432 2035-11	Side panel	Panneau latéral	3	Stainless Right
13	1	432 2066-01	Rear panel	Panneau arrière	3	Upper
14	1	432 2067-01	Rear panel	Panneau arrière	3	Lower
15	1	432 2179-01	Brace	Montant	3	
16	1	432 2106-01	Brace bracket	Support de montant	3	
17	1	432 2844-01	Cover plate	Couvercle	3	DS
18	2	471 2437-15	Plug	Fiche	3	
19	1	432 2131-02	Brace	Montant	3	
20	4	471 7565-21	Velcro tape	Bande de serrage	3	
21	1	432 2121-03	Brace	Montant	3	
22	1	432 2155-01	Plate	Cloison	3	
23	1	432 2083-01	Top panel	Couvercle	3	
	1	432 2201-27	Top panel	Couvercle	3	Coin-meter
	1	432 2083-02	Top panel	Couvercle	3	No detergent container
	1	471 7826-10	•Lock	•Serrure	1,2	
	1	471 7826-20	•Key	•Touche	1,2	FH025
24	2	432 2038-01	Side panel	Panneau latéral	3	Grey Upper
	2	432 2038-02	Side panel	Panneau latéral	3	White Upper
	2	432 2038-10	Side panel	Panneau latéral	3	Stainless Upper
25	1	432 2137-01	Bracket	Pupitre	3	
26	1	471 7980-01	Stop	Butoir	3	
27	3	471 8342-15	Screw	Vis	3	



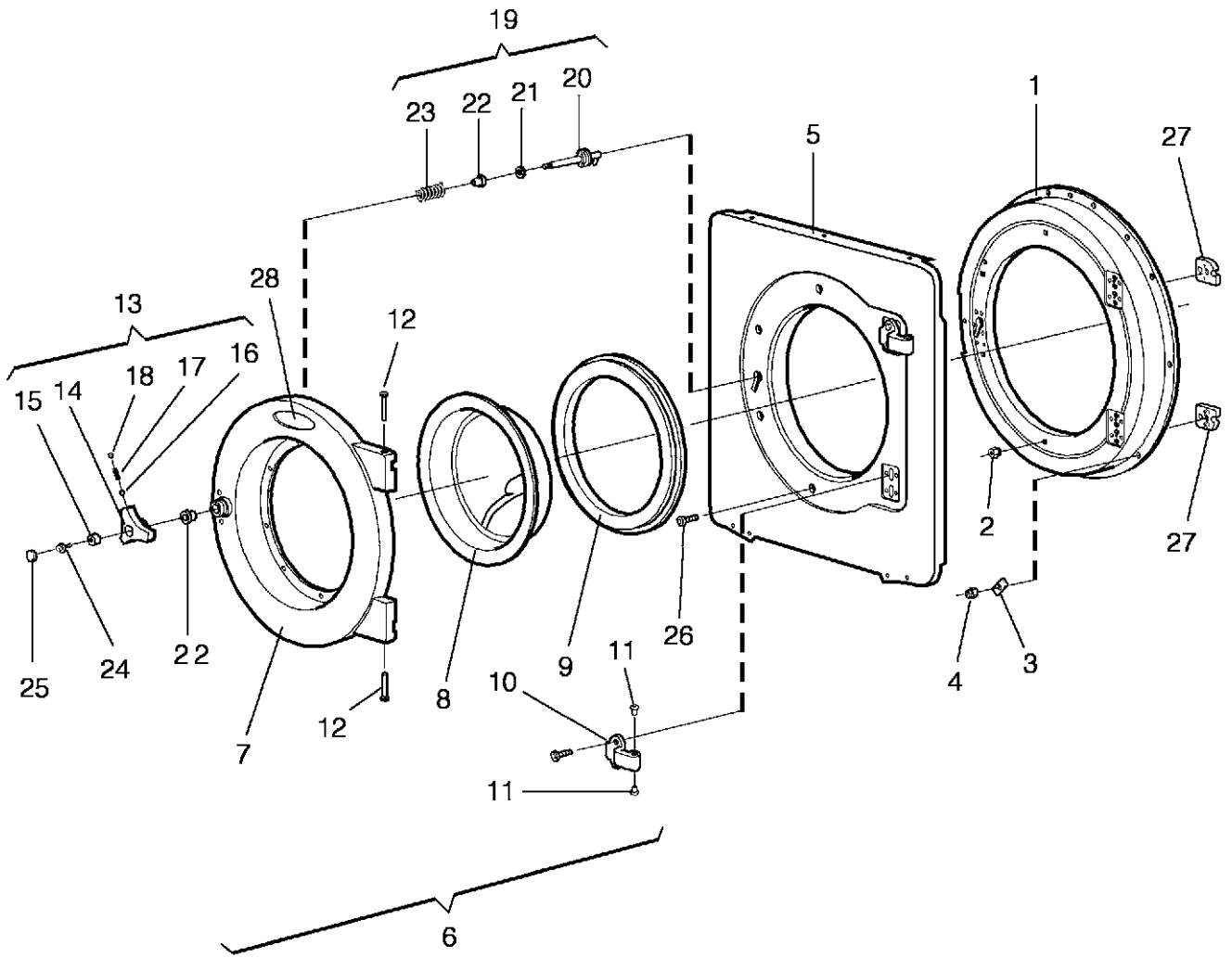
EX640c,EX640s

Drum, rear gable

Tambour, pignon arrière

Illustration Issue Month Year
Schéma Issue Month Year
101760/4 7 5 2004

Item Article	Qua. Qua.	Art.No Réf. article	Description	Description	Info Info	Notes Remarques
1	1	432 1573-01	Outer drum	Tambour extérieur	3	Non-heated
	1	432 1573-02	Outer drum	Tambour extérieur	3	El/Dual heating
	1	432 1573-03	Outer drum	Tambour extérieur	3	Steam
2	1	432 1608-01	Rear gable	Pignon arrière	3	Without lubrication
	1	432 1608-03	Rear gable	Pignon arrière	3	Level tube
	1	432 1608-04	Rear gable	Pignon arrière	3	DBS Level tube
*	1	432 1608-05	Back plate	Pignon arrière	3	DBS
3	1	432 1503-01	•Inner drum	•Intérieur du tambour	3	
	1	432 1503-03	•Inner drum	•Intérieur du tambour	3	DBS
4	1	472 9913-18	•Repair kit	•Kit reconditionnement	1,2	
5	1		••Bushing	••Douille		
6	1		••Ball bearing	••Roulement à billes		
7	1		••Ball bearing	••Roulement à billes		
8	2		••Sealing ring	••Bague d'étanchéité		
9	1		••Sealing ring	••Bague d'étanchéité		
10	1	438 8155-04	••Seal	••Joint		
11	1	432 1548-01	•Lining	•Panneau de renfort	3	
* 12	1	432 1563-01	•Bearing housing	•Logement de palier	3	
13	1	432 1543-01	•End piece	•Pignon	3	
14	10	471 8323-01	•Screw	•Vis	3	M6X12
15	10	471 8328-02	•Screw	•Vis	3	M12X50
16	1	432 1553-01	•Pulley	•Poulie	3	
17	1	735 9630-01	•Wedge	•Cale	3	18x11x63
18	1	735 3144-00	•C-clamp	•Presse à main	3	SgA55
19	2	432 1568-01	Tension strap	Extenseur	3	
20	2	471 9222-59	Screw	Vis	3	M8X140
21	4	471 8502-14	Washer	Rondelle	3	BRB 8,4X17
22	2	732 2118-01	Locking nut	Contre-écrou	3	M8



Issue	Month	Year
01	10	02

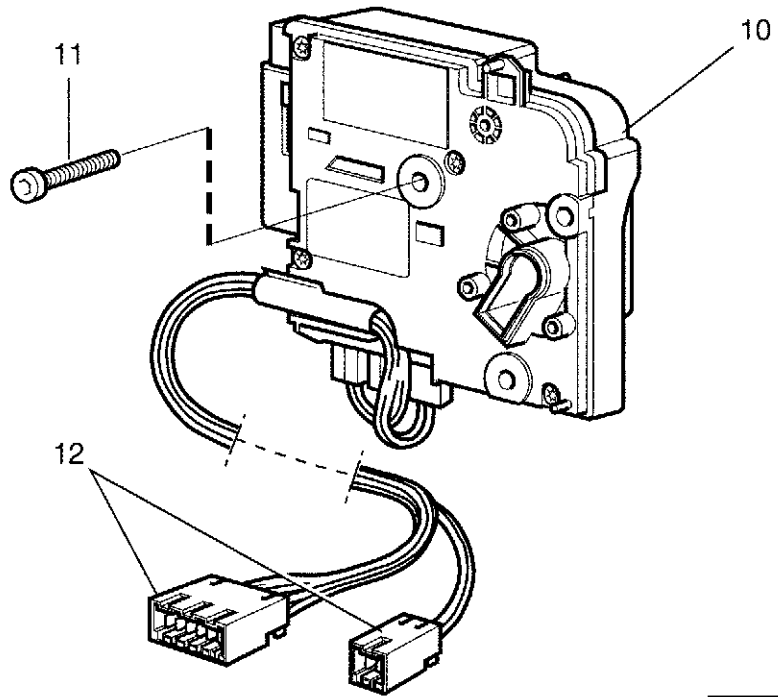
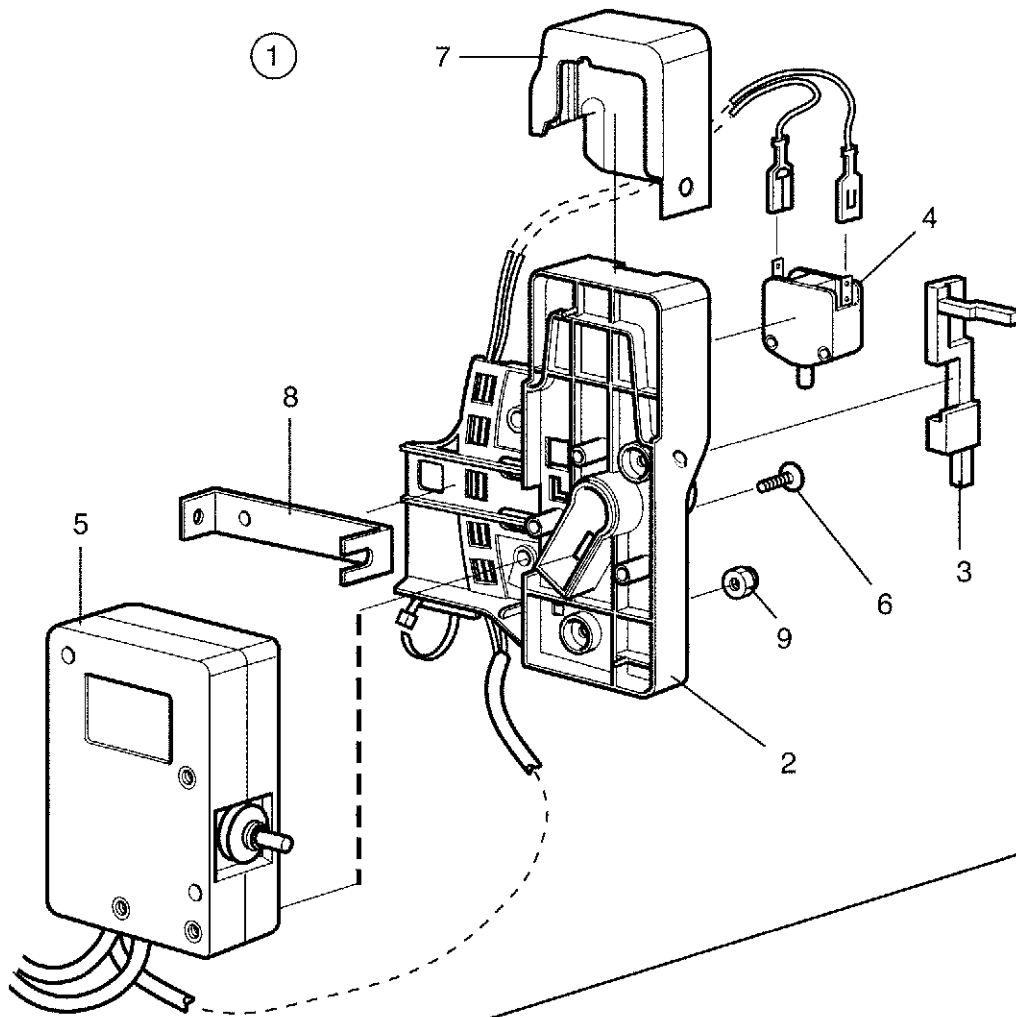
EX640c,EX640s

Door and hinged joint

Assemblage articulé et plaque

Illustration Issue Month Year
Schéma Issue Month Year
101785/1 3 6 2003

Item Article	Qua. Qua.	Art.No Réf. article	Description	Description	Info Info	Notes Remarques
1	1	432 1873-01	Support frame	Panneau de fixation	3	
2	4	471 8458-02	Nut	Écrou	3	M6
3	11	471 8527-01	Spring washer	Rondelle à ressort	3	
4	11	471 8404-02	Locking nut	Contre-écrou	3	M6
5	1	432 1890-01	Trim panel	Plaque de décoration	3	
6	1	432 4312-01	Door	Porte	1	Complete
	1	432 4312-02	Door	Porte	1	Aqua clean Complete
7	1	432 1828-01	•Door	•Porte	3	
8	1	432 1858-01	•Door glass	•Vitre de la porte	1,2	
	1	432 1858-02	•Door glass	•Vitre de la porte	1,2	Aqua clean
9	1	432 1843-01	•Door gasket	•Joint de la porte	1,2	
10	4	432 1950-01	•Hinged joint	•Assemblage articulé	1	
11	8	438 4062-01	•Bushing	•Douille	3	
12	2	432 1962-01	•Pin	•Goupille	3	
13	1	432 1955-01	•Knob	•Bouton	1,2	Complete
14	1		••Knob	••Bouton		
15	1		••Bushing	••Douille		
16	3		••Ball	••Bille		
17	3		••Spring	••Ressort		
18	3	728 8362-11	••Screw	••Vis		
19	1	472 9913-01	•Kit, lock shaft	•Kit de réparation, Axe de verrouillage	1,2	
20	1		••Lock shaft	••Axe de verrouillage		
21	1		••Washer	••Rondelle	3	
22	2		••Bushing	••Douille		
23	1		••Torsion spring	••Ressort rotatif		
24	1	725 2366-61	•Screw	•Vis	3	M6SF 6X12
25	1	432 1956-01	•Cover washer	•Rondelle protection	3	
26	8	471 8344-36	Screw	Vis	3	
27	4	432 1951-01	Bracket	Support de montage	3	
28	1	432 2620-01	Sign	Signe	3	
	1	432 2620-02	Sign	Signe	3	Wascomat
	1	432 2620-07	Sign	Signe	3	
	1	432 2620-08	Sign	Signe	3	



Issue	Month	Year
02	08	03

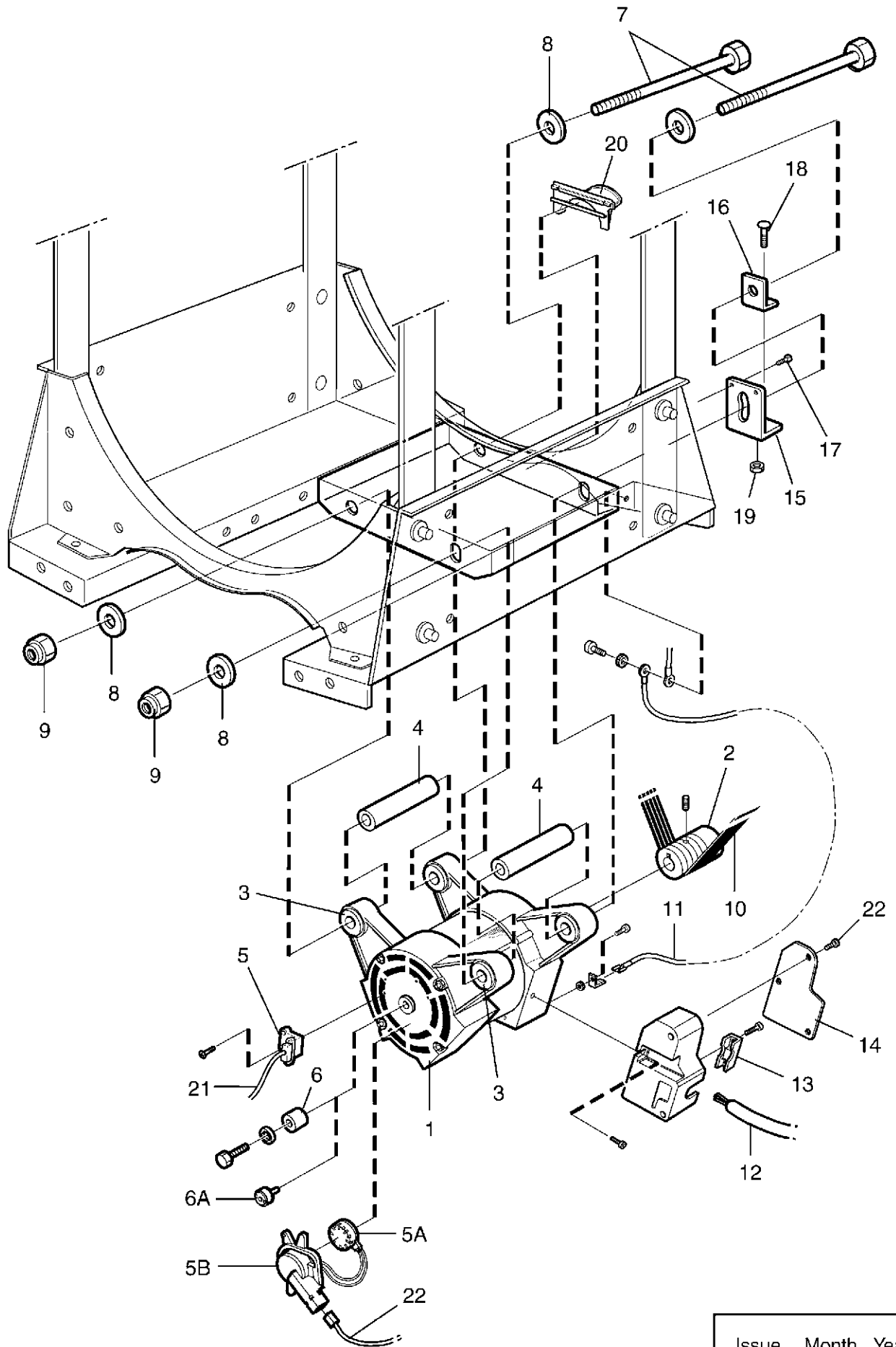
EX640c,EX640s

Door lock

Serrure de porte

Illustration Issue Month Year
Schéma Issue Month Year
101776/2 3 10 2003

Item Article	Qua. Qua.	Art.No Réf. article	Description	Description	Info Info	Notes Remarques
1	1	472 9913-72	Door locking device	Serrure de porte	1,2	CONVERSION KIT -725/7314
2	1		Lock plate	Case de serrure		
3	1		Catch	Dispositif blocage		
4	1	471 9679-01	Microswitch	Microrupteur	1,2	
5	1		Actuator	Actuateur		
6	2		Screw	Vis		M5X16
7	1	432 1960-01	Cover	Couvercle	3	
8	1		Plate	Cloison		
9	2		Locking nut	Contre-écrou		M5
10	1	438 9561-01	Door locking device	Serrure de porte	1,2	Complete 725/7315-
11	3	471 8342-47	Screw	Vis	3	M6X25
12	1	432 2905-02	Cable set	Jeu de câbles	3	



Issue	Month	Year
05	01	04

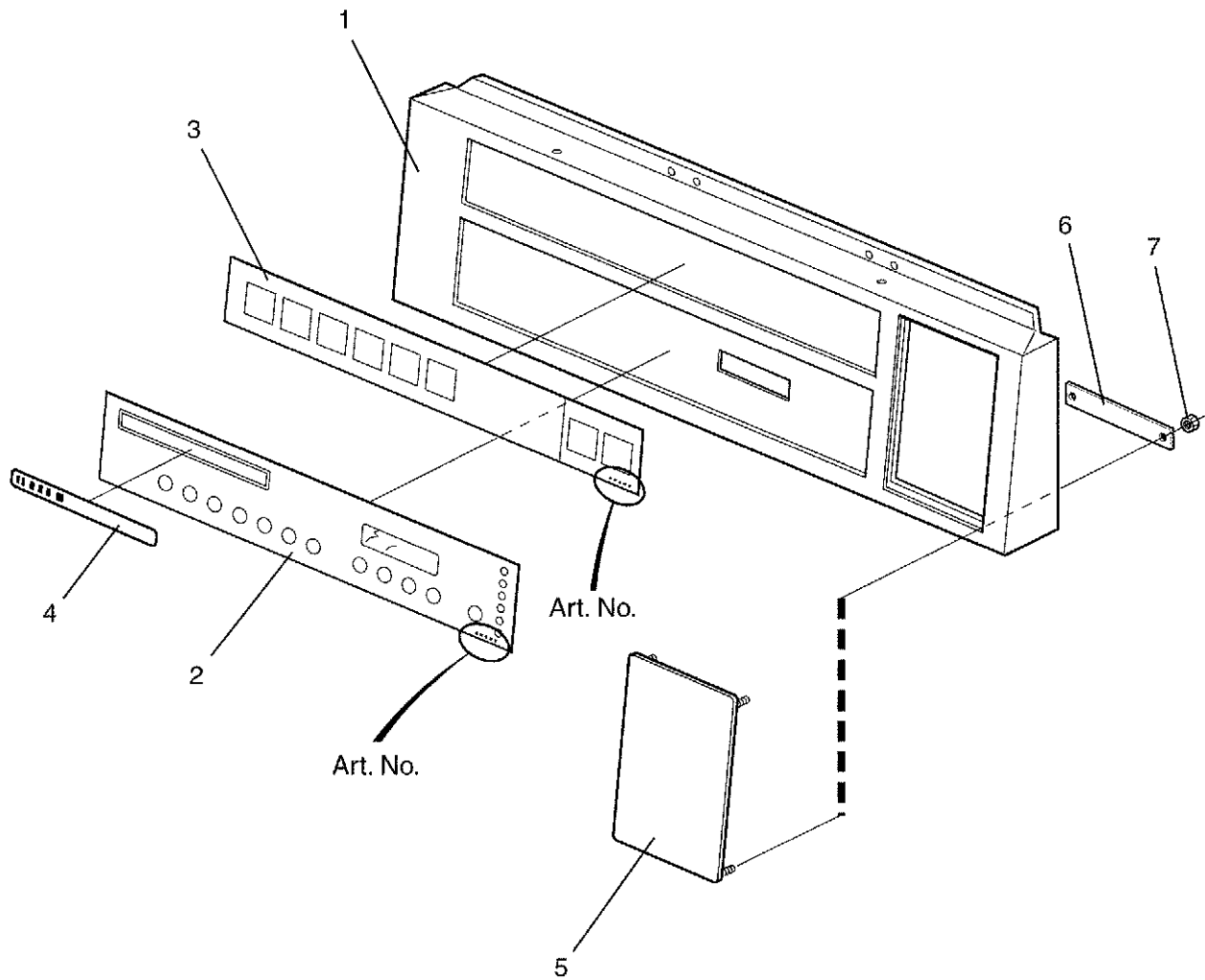
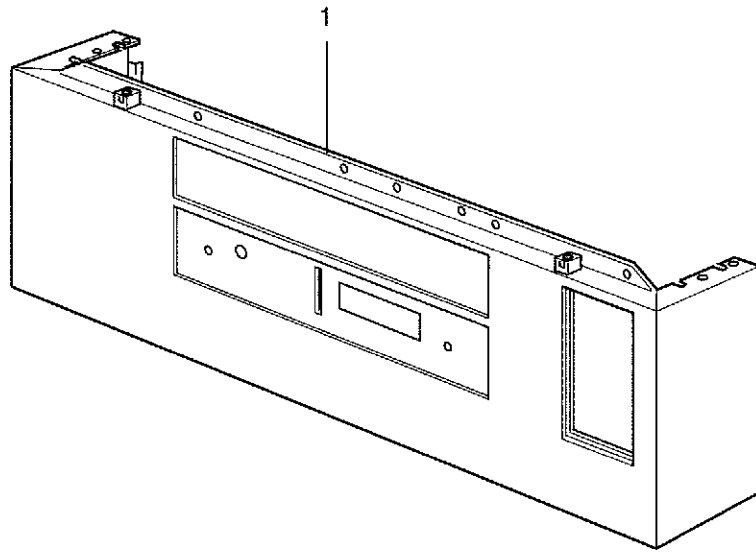
EX640c,EX640s

Motor

Moteur

Illustration Issue Month Year
Schéma Issue Month Year
101758/4 10 5 2004

Item Article	Qua. Qua.	Art.No Réf. article	Description	Description	Info Info	Notes Remarques
1	1	438 9704-01	Motor	Moteur	1,2	Complete -725/7906
	1	438 9705-61	Motor	Moteur	1,2	Complete 725/7907-
2	1		•Pulley	•Poulie	3	
3	4	438 8158-02	•Rubber bushing	•Douille caoutchouc	3	
4	2		•Pipe	•Tube	3	
5	1	432 3901-01	•Sensor/transducer	•Capteur	1,2	-725/7906
5A	1	471 8826-01	•Tacho sensor	•Tacho sensor	1,2	725/7907-
5B	1	432 1229-01	•Cover	•Couvercle	3	725/7907-
6	1	432 3905-01	•Magnet	•Aimant	3	-725/7906
6A	1	471 8827-01	•Magnet	•Aimant	3	725/7907-
7	2	471 8356-05	Screw	Vis	3	M12x240
8	4	471 8502-10	Washer	Rondelle	3	12x35
9	2	732 2122-01	Locking nut	Contre-écrou	3	M12
10	1	471 7705-02	Ribbed belt	Ribbed belt	1,2	
11	1	432 2982-02	Cable set	Jeu de câbles	3	Terminal block
	1	432 2983-02	Cable set	Jeu de câbles	3	Main switch Terminal block
12	1	432 2991-01	Cable set	Jeu de câbles	3	
13	1	438 9799-02	Clamp	Attache	3	
14	1	438 9799-03	Cover	Couvercle	3	
15	1	432 1454-01	Belt tensioner	Tendeur de courroie	3	
16	1	432 1455-01	Washer	Rondelle	3	
17	2	471 8342-23	Screw	Vis	3	MRT-TT 5X10
18	1	471 8322-03	Screw	Vis	3	M8X50
19	1	732 2118-01	Locking nut	Contre-écrou	3	M8
20	1	432 1473-01	Drip guard	Lèche-goutte	3	
21	1	432 3083-36	Cable set	Jeu de câbles	3	-725/7906
	1	432 3082-70	Cable set	Jeu de câbles	3	725/7907-
22	3	471 8342-13	Screw	Vis	3	MRT-TT 4X10



Issue	Month	Year
03	09	03

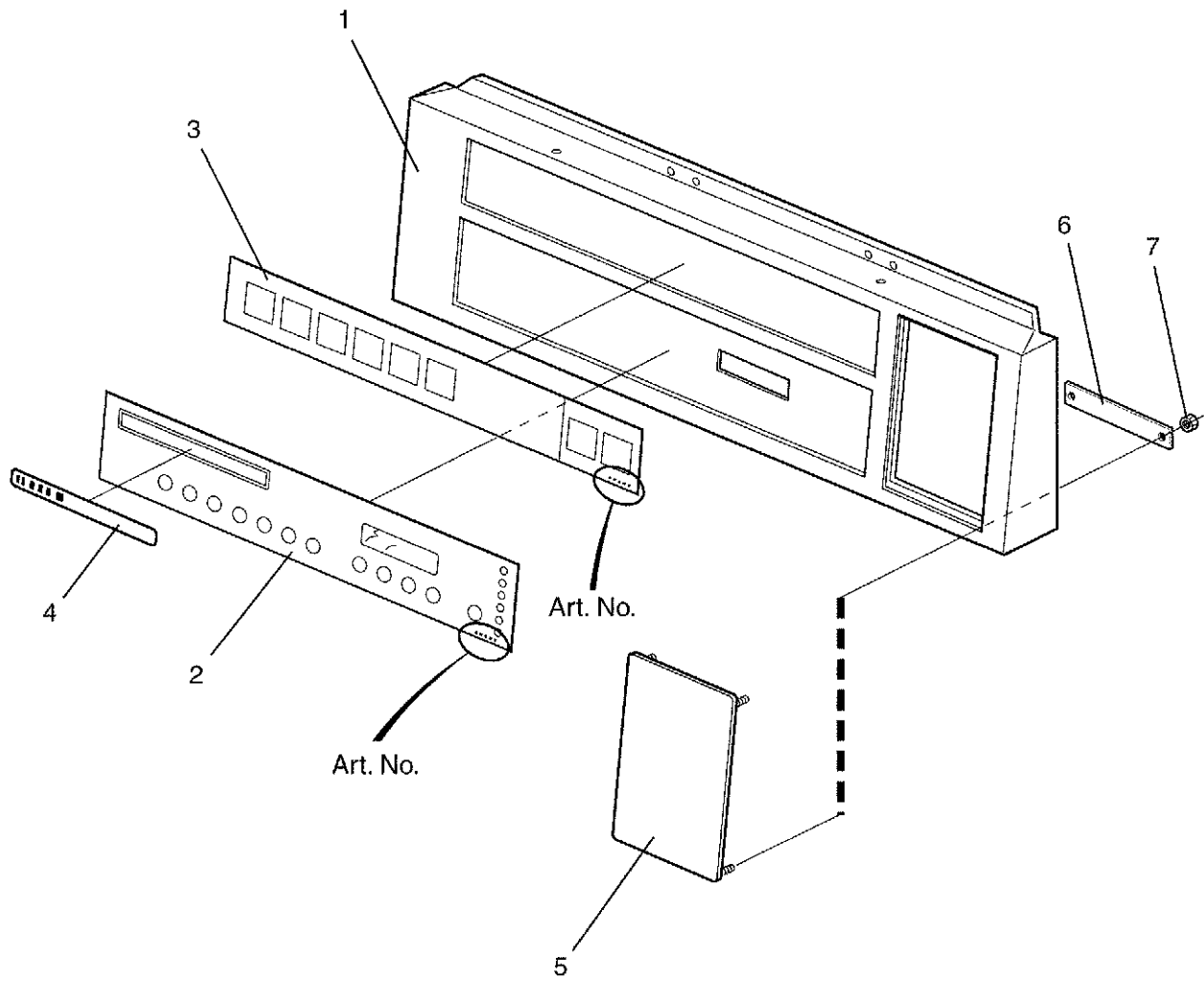
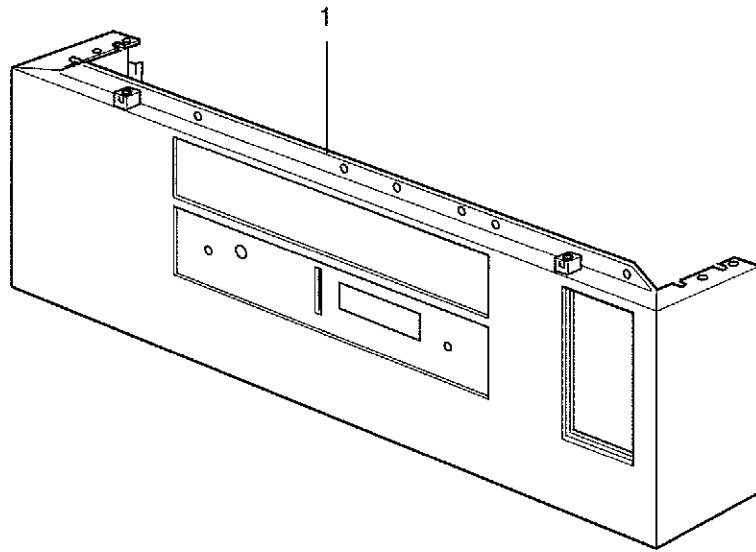
EX640c,EX640s

Control panel Exacta

Pupitre de commande Exacta

Illustration Issue Month Year
Schéma Issue Month Year
101769/3 5 5 2004

Item Article	Qua. Qua.	Art.No Réf. article	Description	Description	Info Info	Notes Remarques
1	1	432 2018-01	Front panel	Panneau avant	3	
2	1	432 2720-01	Panel sign	Voyant du tableau	1	Program 2A01, 2G41
	1	432 2720-02	Panel sign	Voyant du tableau	1	Program 2H11
	1	432 2720-17	Panel sign	Voyant du tableau	1	Program 2H12
	1	432 2720-03	Panel sign	Voyant du tableau	1	Program 2G01
	1	432 2720-04	Panel sign	Voyant du tableau	1	Program 2W01, 2H01, 2H02, 2M11, 2F01, 2F02
	1	432 2720-11	Panel sign	Voyant du tableau	1	Program 2L31
	1	432 2720-06	Panel sign	Voyant du tableau	1	Program 2L01, 2L02
	1	432 2720-05	Panel sign	Voyant du tableau	1	Program 2L41
	1	432 2720-08	Panel sign	Voyant du tableau	1	Program 2M01
	1	432 2720-09	Panel sign	Voyant du tableau	1	Program 2H21
	1	432 2720-10	Panel sign	Voyant du tableau	1	Program 2L11, 2L12
	1	432 2720-12	Panel sign	Voyant du tableau	1	Program 2R01
	1	432 2720-13	Panel sign	Voyant du tableau	1	Program 2A11
	1	432 2720-18	Panel sign	Voyant du tableau	1	Program 2C01
3	1	432 2649-03	Instruction plate	Plaque instruction utilisation	3	Program 2G41 Japanese
	1	432 2649-04	Instruction plate	Plaque instruction utilisation	3	Program 2W41 Japanese
	1	432 2649-05	Instruction plate	Plaque instruction utilisation	3	Program 2L41 Japanese
	1	432 2649-06	Instruction plate	Plaque instruction utilisation	3	Program 2L51 Japanese
	1	432 2649-07	Instruction plate	Plaque instruction utilisation	3	Program 2H42 Japanese
	1	432 2649-20	Instruction plate	Plaque instruction utilisation	3	Program 2A01 English
	1	432 2649-21	Instruction plate	Plaque instruction utilisation	3	Program 2M01 French
	1	432 2649-22	Instruction plate	Plaque instruction utilisation	3	Program 2M11, Mop Danish
	1	432 2649-23	Instruction plate	Plaque instruction utilisation	3	Program 2H12 Swedish
	1	432 2649-24	Instruction plate	Plaque instruction utilisation	3	Program 2M12 Swedish
	1	432 2649-25	Instruction plate	Plaque instruction utilisation	3	Program 2C01 Spanish
	1	432 2649-26	Instruction plate	Plaque instruction utilisation	3	Program 2A01 Danish
	1	432 2649-27	Instruction plate	Plaque instruction utilisation	3	Program 2A01 Swedish
	1	432 2649-28	Instruction plate	Plaque instruction utilisation	3	Program 2L01 English
	1	432 2650-02	Instruction plate	Plaque instruction utilisation	3	Program 2A01 Danish
	1	432 2650-03	Instruction plate	Plaque instruction utilisation	3	Program 2H11 Swedish
	1	432 2650-04	Instruction plate	Plaque instruction utilisation	3	Program 2W01, Aqua Clean Swedish
	1	432 2650-05	Instruction plate	Plaque instruction utilisation	3	Program 2L41 Japanese
	1	432 2650-06	Instruction plate	Plaque instruction utilisation	3	Program 2S01, Selecta USA
	1	432 2650-07	Instruction plate	Plaque instruction utilisation	3	Program 2G01 English
	1	432 2650-08	Instruction plate	Plaque instruction utilisation	3	Program 2G01 German
	1	432 2650-09	Instruction plate	Plaque instruction utilisation	3	Program 2G01 French
	1	432 2650-10	Instruction plate	Plaque instruction utilisation	3	
	1	432 2650-11	Instruction plate	Plaque instruction utilisation	3	Program 2L31, Emerald USA
	1	432 2650-12	Instruction plate	Plaque instruction utilisation	3	Program 2L01 English
	1	432 2650-13	Instruction plate	Plaque instruction utilisation	3	Program 2M01, Mop English
	1	432 2650-14	Instruction plate	Plaque instruction utilisation	3	Program 2W01, Aqua Clean English
	1	432 2650-16	Instruction plate	Plaque instruction utilisation	3	Program 2H21, Hygienic Danish
	1	432 2650-17	Instruction plate	Plaque instruction utilisation	3	Program 2L11, Thermoboost German
	1	432 2650-18	Instruction plate	Plaque instruction utilisation	3	Program 2L12, Laundrette German
	1	432 2650-19	Instruction plate	Plaque instruction utilisation	3	Program 2H02, Selecta Danish
	1	432 2650-20	Instruction plate	Plaque instruction utilisation	3	Program 2H01, Hospital English
	1	432 2650-23	Instruction plate	Plaque instruction utilisation	3	Program 2A01, W3180 Swedish
	1	432 2650-25	Instruction plate	Plaque instruction utilisation	3	Program 2M11, Mop Swedish
	1	432 2650-26	Instruction plate	Plaque instruction utilisation	3	Program 2F01, Farm Swedish
	1	432 2650-27	Instruction plate	Plaque instruction utilisation	3	Program 2R01, QSR Swedish
	1	432 2650-28	Instruction plate	Plaque instruction utilisation	3	Program 2F01, Farm English
	1	432 2650-29	Instruction plate	Plaque instruction utilisation	3	Program 2R01, QSR English
	1	432 2650-30	Instruction plate	Plaque instruction utilisation	3	Program 2F01, Farm German



Issue	Month	Year
03	09	03

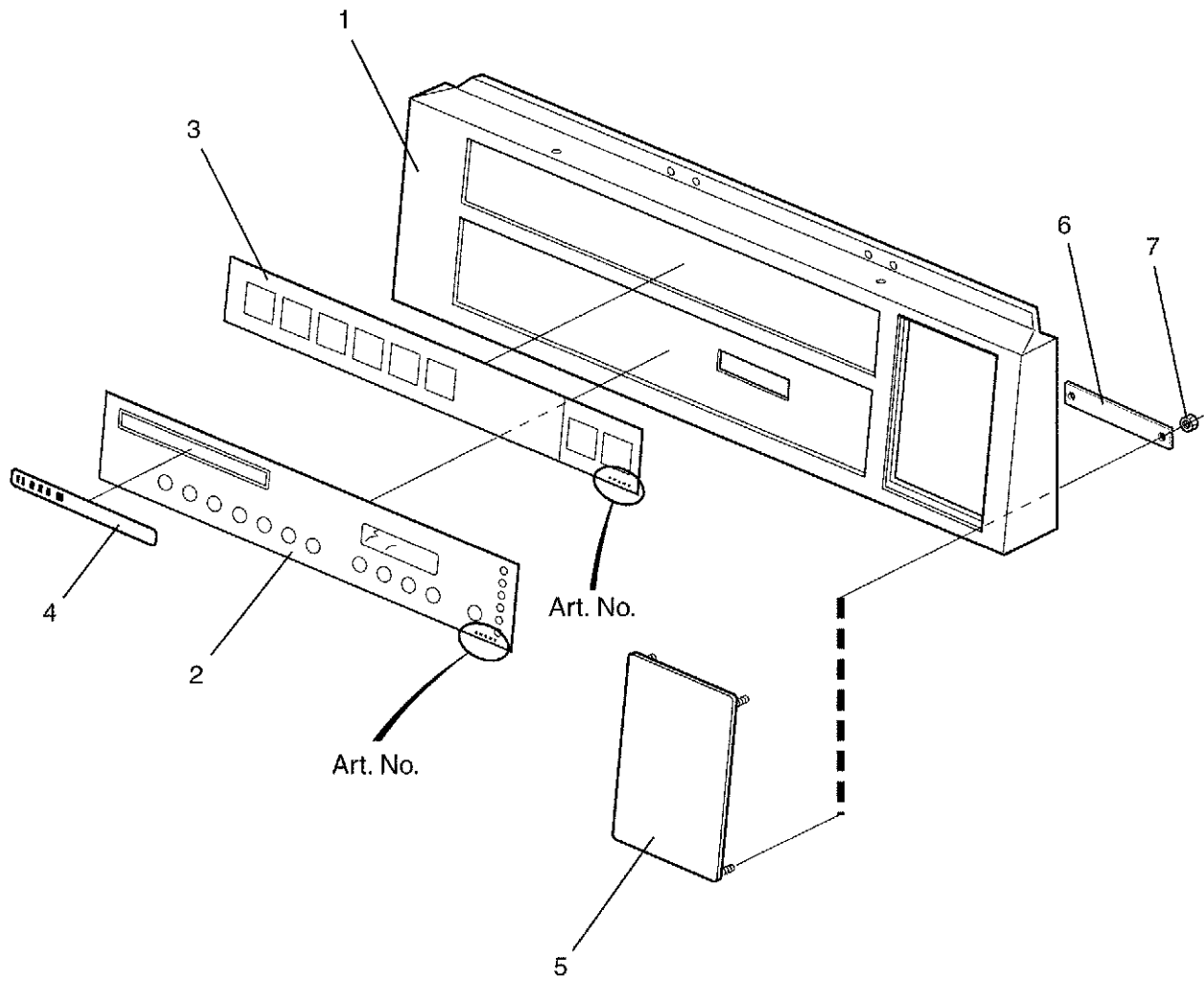
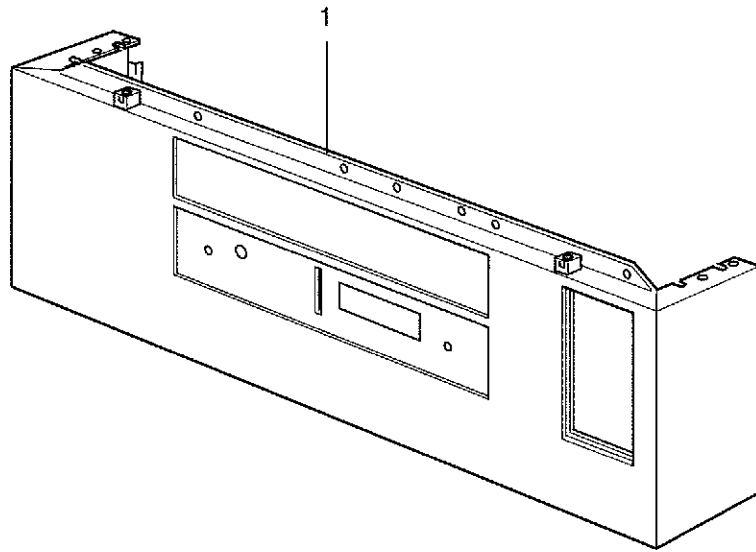
EX640c,EX640s

Control panel Exacta

Pupitre de commande Exacta

Illustration Issue Month Year
Schéma Issue Month Year
101769/3 5 5 2004

Item Article	Qua. Qua.	Art.No Réf. article	Description	Description	Info Info	Notes Remarques
	1	432 2650-31	Instruction plate	Plaque instruction utilisation	3	Program 2F02, Westfalla German
	1	432 2650-32	Instruction plate	Plaque instruction utilisation	3	Program 2L01 German
	1	432 2650-33	Instruction plate	Plaque instruction utilisation	3	Program 2M01, Mop German
	1	432 2650-34	Instruction plate	Plaque instruction utilisation	3	Program 2R01, QSR German
	1	432 2650-35	Instruction plate	Plaque instruction utilisation	3	Program 2W01, Aqua Clean German
	1	432 2650-36	Instruction plate	Plaque instruction utilisation	3	Program 2H21, Hygienic, Nyborg English
	1	432 2650-37	Instruction plate	Plaque instruction utilisation	3	Program 2L12, Nyborg English
	1	432 2650-38	Instruction plate	Plaque instruction utilisation	3	Program 2F01, Farm French
	1	432 2650-39	Instruction plate	Plaque instruction utilisation	3	Program 2L01 French
	1	432 2650-40	Instruction plate	Plaque instruction utilisation	3	Program 2L02, Mench French
	1	432 2650-41	Instruction plate	Plaque instruction utilisation	3	Program 2R01, QSR French
	1	432 2650-42	Instruction plate	Plaque instruction utilisation	3	Program 2W01, Aqua Clean French
	1	432 2650-43	Instruction plate	Plaque instruction utilisation	3	Program 2L12 French
	1	432 2650-44	Instruction plate	Plaque instruction utilisation	3	Program 2F01, Farm Italian
	1	432 2650-45	Instruction plate	Plaque instruction utilisation	3	Program 2G01 Italian
	1	432 2650-46	Instruction plate	Plaque instruction utilisation	3	Program 2R01, QSR Italian
	1	432 2650-47	Instruction plate	Plaque instruction utilisation	3	Program 2L12 Italian
	1	432 2650-48	Instruction plate	Plaque instruction utilisation	3	Program 2W01, Aqua Clean Italian
	1	432 2650-49	Instruction plate	Plaque instruction utilisation	3	Program 2F01, Farm Spanish
	1	432 2650-50	Instruction plate	Plaque instruction utilisation	3	Program 2G01 Spanish
	1	432 2650-51	Instruction plate	Plaque instruction utilisation	3	Program 2L01 Spanish
	1	432 2650-52	Instruction plate	Plaque instruction utilisation	3	Program 2R01, QSR Spanish
	1	432 2650-53	Instruction plate	Plaque instruction utilisation	3	Program 2W01, Aqua Clean Spanish
	1	432 2650-54	Instruction plate	Plaque instruction utilisation	3	Program 2L12 Spanish
	1	432 2650-55	Instruction plate	Plaque instruction utilisation	3	Program 2F01, Farm Dutch
	1	432 2650-56	Instruction plate	Plaque instruction utilisation	3	Program 2G01 Dutch
	1	432 2650-57	Instruction plate	Plaque instruction utilisation	3	Program 2L01 Dutch
	1	432 2650-58	Instruction plate	Plaque instruction utilisation	3	Program 2L02, Mench Dutch
	1	432 2650-59	Instruction plate	Plaque instruction utilisation	3	Program 2R01, QSR Dutch
	1	432 2650-60	Instruction plate	Plaque instruction utilisation	3	Program 2W01, Aqua Clean Dutch
	1	432 2650-61	Instruction plate	Plaque instruction utilisation	3	Program 2L12, Nyborg Dutch
	1	432 2650-62	Instruction plate	Plaque instruction utilisation	3	Program 2F01, Farm Danish
	1	432 2650-63	Instruction plate	Plaque instruction utilisation	3	Program 2G01 Danish
	1	432 2650-64	Instruction plate	Plaque instruction utilisation	3	Program 2L01 Danish
	1	432 2650-65	Instruction plate	Plaque instruction utilisation	3	Program 2R01, QSR Danish
	1	432 2650-66	Instruction plate	Plaque instruction utilisation	3	Program 2W01, Aqua Clean Danish
	1	432 2650-67	Instruction plate	Plaque instruction utilisation	3	Program 2A01 Finnish
	1	432 2650-68	Instruction plate	Plaque instruction utilisation	3	Program 2F01, Farm Finnish
	1	432 2650-69	Instruction plate	Plaque instruction utilisation	3	Program 2G01 Finnish
	1	432 2650-70	Instruction plate	Plaque instruction utilisation	3	Program 2L01 Finnish
	1	432 2650-71	Instruction plate	Plaque instruction utilisation	3	Program 2M11, Mop Finnish
	1	432 2650-72	Instruction plate	Plaque instruction utilisation	3	Program R01 Finnish
	1	432 2650-73	Instruction plate	Plaque instruction utilisation	3	Program 2W01, Aqua Clean Finnish
	1	432 2650-74	Instruction plate	Plaque instruction utilisation	3	Program 2A01 Norwegian
	1	432 2650-75	Instruction plate	Plaque instruction utilisation	3	Program 2F01, Farm Norwegian
	1	432 2650-76	Instruction plate	Plaque instruction utilisation	3	Program 2G01 Norwegian
	1	432 2650-77	Instruction plate	Plaque instruction utilisation	3	Program 2L01 Norwegian
	1	432 2650-78	Instruction plate	Plaque instruction utilisation	3	Program 2M11, Mop Norwegian
	1	432 2650-79	Instruction plate	Plaque instruction utilisation	3	Program 2R01, QSR Norwegian



Issue	Month	Year
03	09	03

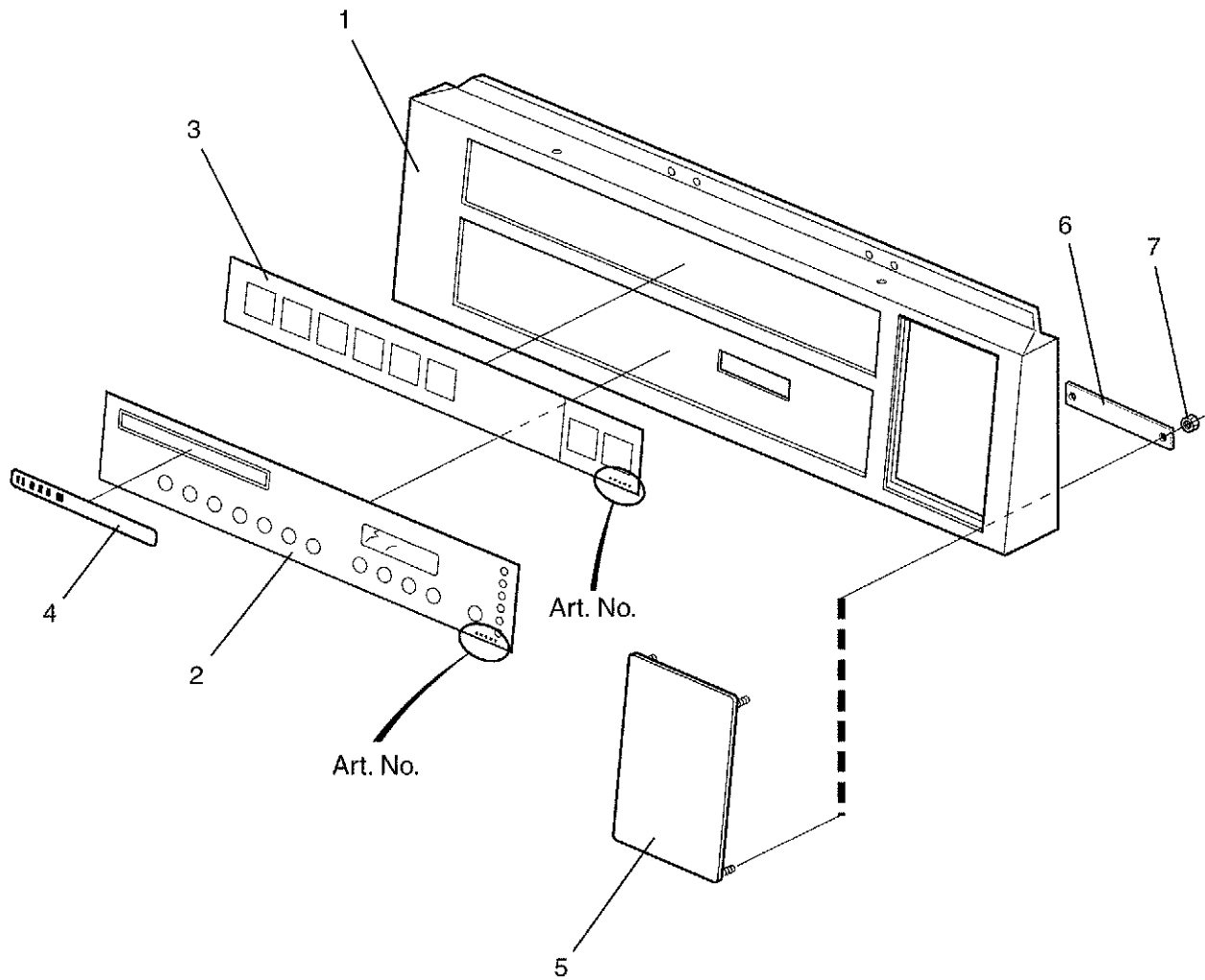
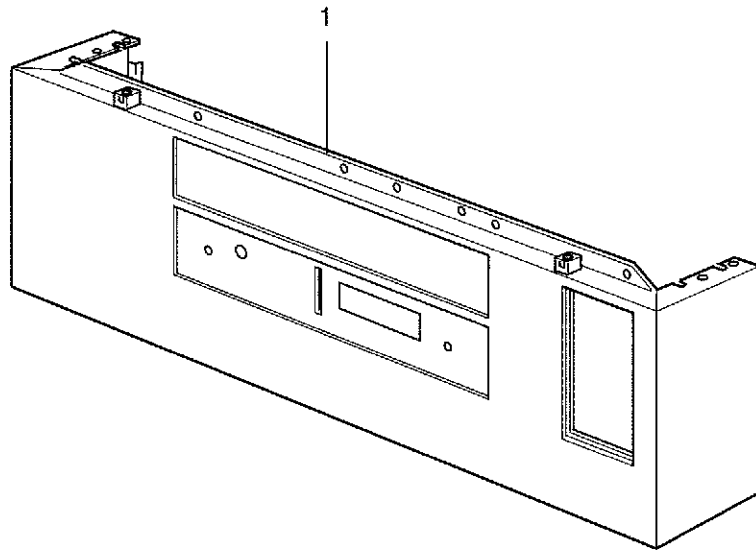
EX640c,EX640s

Control panel Exacta

Pupitre de commande Exacta

Illustration Issue Month Year
Schéma Issue Month Year
101769/3 5 5 2004

Item Article	Qua. Qua.	Art.No Réf. article	Description	Description	Info Info	Notes Remarques
	1	432 2650-80	Instruction plate	Plaque instruction utilisation	3	Program 2W01, Aqua Clean Norwegian
	1	432 2650-81	Instruction plate	Plaque instruction utilisation	3	Program 2L12, Nyborg Norwegian
	1	432 2650-82	Instruction plate	Plaque instruction utilisation	3	Program 2F01 Polish
	1	432 2650-83	Instruction plate	Plaque instruction utilisation	3	Program 2G01 Polish
	1	432 2650-84	Instruction plate	Plaque instruction utilisation	3	Program 2L01 Polish
	1	432 2650-85	Instruction plate	Plaque instruction utilisation	3	Program 2R01, QSR Polish
	1	432 2650-86	Instruction plate	Plaque instruction utilisation	3	Program 2W01, Aqua Clean Polish
	1	432 2650-87	Instruction plate	Plaque instruction utilisation	3	Program 2L12, Nyborg Polish
	1	432 2650-88	Instruction plate	Plaque instruction utilisation	3	Program 2L31, Emerald Spanish
	1	432 2650-89	Instruction plate	Plaque instruction utilisation	3	Program 2S01, Selecta Spanish
	1	432 2650-90	Instruction plate	Plaque instruction utilisation	3	Program 2L31, Emerald French
	1	432 2650-91	Instruction plate	Plaque instruction utilisation	3	Program 2S01, Selecta French
	1	432 2650-92	Instruction plate	Plaque instruction utilisation	3	Program 2L01 Italian, English
	1	432 2650-93	Instruction plate	Plaque instruction utilisation	3	Program 2A11 Mats/heavy laundry, Swedish
	1	432 2650-94	Instruction plate	Plaque instruction utilisation	3	Program 2A11 Mats/heavy laundry, Danish
	1	432 2650-95	Instruction plate	Plaque instruction utilisation	3	Program 2A11 Mats/heavy laundry, Norwegian
	1	432 2650-96	Instruction plate	Plaque instruction utilisation	3	Program 2A11 Mats/heavy laundry, Finnish
	1	432 2650-97	Instruction plate	Plaque instruction utilisation	3	Program 2F02, Westfalla Swedish
	1	432 2650-98	Instruction plate	Plaque instruction utilisation	3	Program 2H11 Finnish/Swedish
	1	432 2652-05	Instruction plate	Plaque instruction utilisation	3	Program 2A01, W3180 Swedish
	1	432 2652-07	Instruction plate	Plaque instruction utilisation	3	Program 2G01 English
	1	432 2652-08	Instruction plate	Plaque instruction utilisation	3	Program 2L01 English
	1	432 2652-09	Instruction plate	Plaque instruction utilisation	3	Program 2G01 German
	1	432 2652-10	Instruction plate	Plaque instruction utilisation	3	Program 2L01 German
	1	432 2652-11	Instruction plate	Plaque instruction utilisation	3	Program 2L12 German
	1	432 2652-12	Instruction plate	Plaque instruction utilisation	3	Program 2G01 French
	1	432 2652-13	Instruction plate	Plaque instruction utilisation	3	Program 2L01 French
	1	432 2652-14	Instruction plate	Plaque instruction utilisation	3	Program 2L12 French
	1	432 2652-15	Instruction plate	Plaque instruction utilisation	3	Program 2G01 Italian
	1	432 2652-16	Instruction plate	Plaque instruction utilisation	3	Program 2L12 Italian
	1	432 2652-17	Instruction plate	Plaque instruction utilisation	3	Program 2G01 Spanish
	1	432 2652-18	Instruction plate	Plaque instruction utilisation	3	Program 2L01 Spanish
	1	432 2652-19	Instruction plate	Plaque instruction utilisation	3	Program 2L12 Spanish
	1	432 2652-20	Instruction plate	Plaque instruction utilisation	3	Program 2G01 Dutch
	1	432 2652-21	Instruction plate	Plaque instruction utilisation	3	Program 2L01 Dutch
	1	432 2652-22	Instruction plate	Plaque instruction utilisation	3	Program 2L12 Dutch
	1	432 2652-23	Instruction plate	Plaque instruction utilisation	3	Program 2A01 Danish
	1	432 2652-24	Instruction plate	Plaque instruction utilisation	3	Program 2G01 Danish
	1	432 2652-25	Instruction plate	Plaque instruction utilisation	3	Program 2L01 Danish
	1	432 2652-26	Instruction plate	Plaque instruction utilisation	3	Program 2H21 Danish
	1	432 2652-27	Instruction plate	Plaque instruction utilisation	3	Program 2A01 Finnish
	1	432 2652-28	Instruction plate	Plaque instruction utilisation	3	Program 2G01 Finnish
	1	432 2652-29	Instruction plate	Plaque instruction utilisation	3	Program 2L01 Finnish
	1	432 2652-30	Instruction plate	Plaque instruction utilisation	3	Program 2A01 Norwegian
	1	432 2652-31	Instruction plate	Plaque instruction utilisation	3	Program 2G01 Norwegian
	1	432 2652-32	Instruction plate	Plaque instruction utilisation	3	Program 2L01 Norwegian
	1	432 2652-33	Instruction plate	Plaque instruction utilisation	3	Program 2L12 Norwegian
	1	432 2652-34	Instruction plate	Plaque instruction utilisation	3	Program 2G01 Polish
	1	432 2652-35	Instruction plate	Plaque instruction utilisation	3	Program 2L01 Polish
	1	432 2652-36	Instruction plate	Plaque instruction utilisation	3	Program 2L12 Polish



Issue	Month	Year
03	09	03

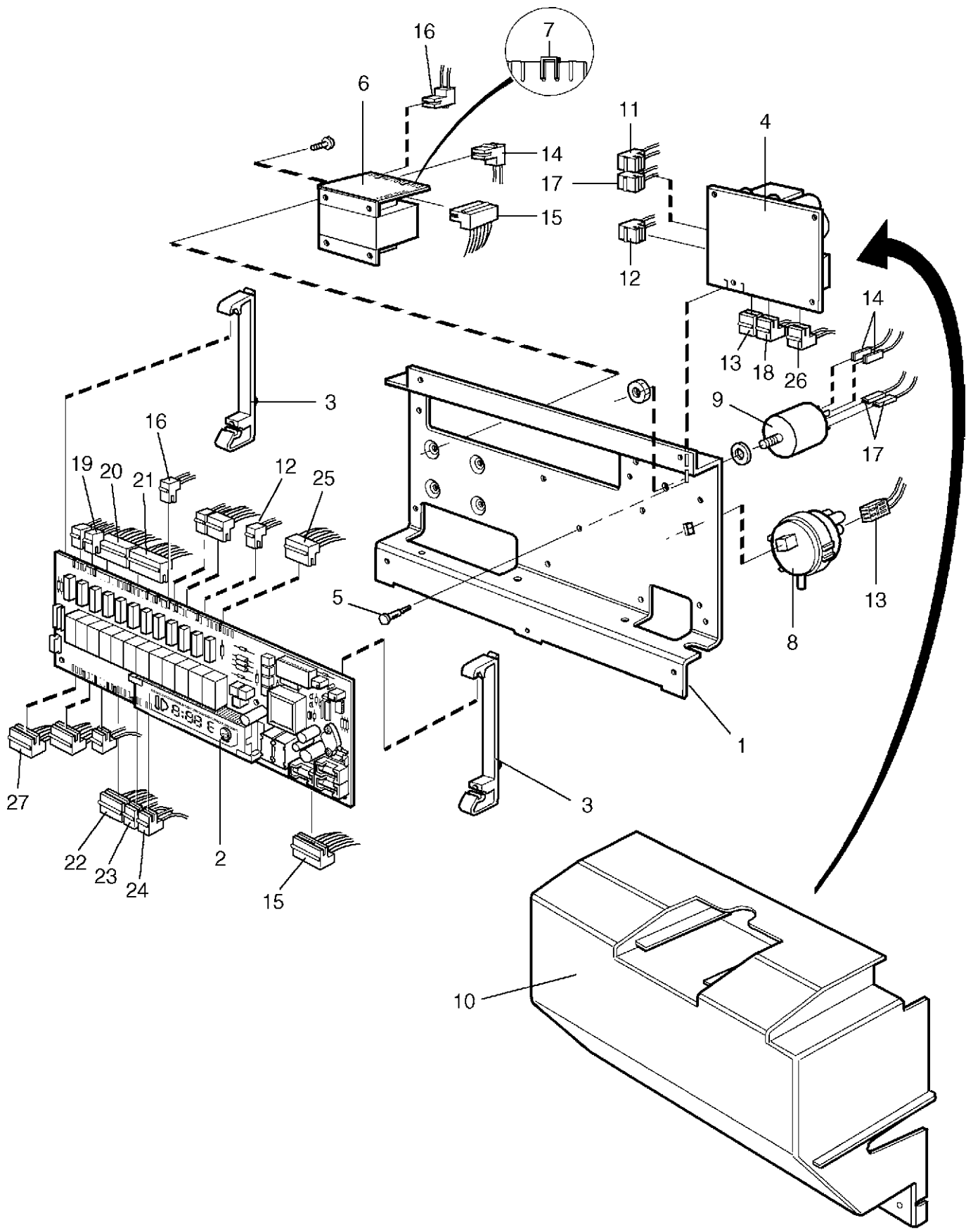
EX640c,EX640s

Control panel Exacta

Pupitre de commande Exacta

Illustration	Issue	Month	Year
Schéma	Issue	Month	Year
101769/3	5	5	2004

Item Article	Qua. Qua.	Art.No Réf. article	Description	Description	Info Info	Notes Remarques
4 *	1	432 2652-37	Instruction plate	Plaque instruction utilisation	3	Program 2L01 Italian
	1	432 2652-38	Instruction plate	Plaque instruction utilisation	3	Program 2L11 German
	1	432 2652-39	Instruction plate	Plaque instruction utilisation	3	Program 2A01 Danish
	1	432 2652-40	Instruction plate	Plaque instruction utilisation	3	Program 2A01 Swedish
	1	432 2652-41	Instruction plate	Plaque instruction utilisation	3	Program 2L01 English
	1	432 2606-01	Type plate	Numéro série plaque	3	W3180H
	1	432 2606-51	Type plate	Numéro série plaque	3	EX640s
	1	432 2606-40	Type plate	Numéro série plaque	3	FAS3180
	5	432 2150-01	Cover plate	Couvercle	3	
	6	432 2181-01	Lock washer	Rondelle d'arrêt	3	
7	4	732 2112-01	Locking nut	Contre-écrou	3	M4



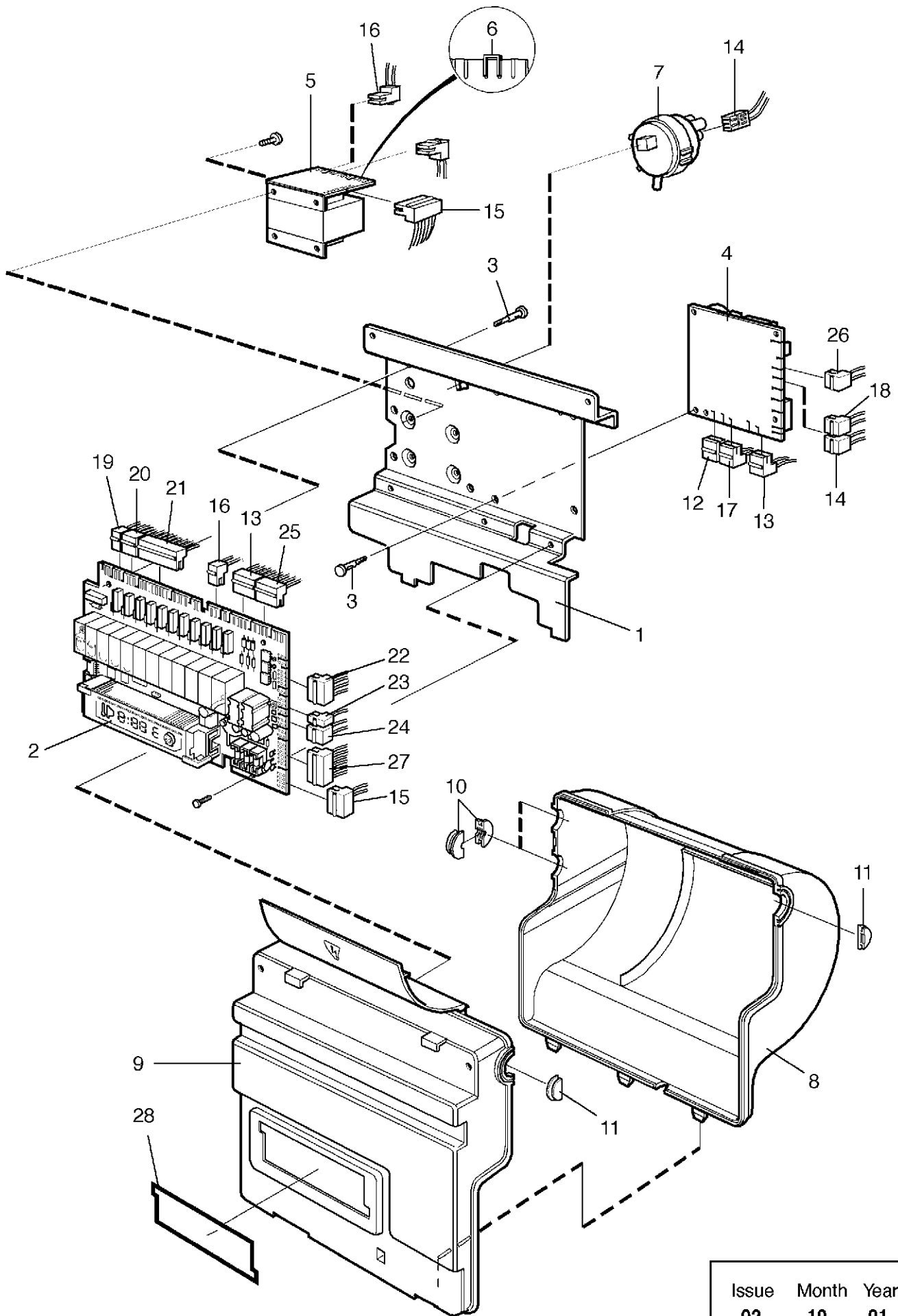
EX640c,EX640s

Electrical components Exacta

Composants électriques Exacta

Illustration Issue Month Year
Schéma Issue Month Year
101764/3 6 12 2003

Item Article	Qua. Qua.	Art.No Réf. article	Description	Description	Info Info	Notes Remarques
1	1	432 2151-01	Mounting plate	Plaque de montage	3	
2	1	471 8988-10	Printed circuit board	Circuit imprimé	1,2	
3	2	432 2153-01	Bracket	Pièce de retenue	3	
4	1	438 9555-11	Control unit	Organe de direction	1,2	230V -725/7906
	1	438 9555-12	Control unit	Organe de direction	1,2	120V -725/7906
	1	438 9564-01	Control unit	Organe de direction	1,2	725/7907-
5	4	471 7958-02	Support	Support	3	
6	1	471 9558-12	Transformer	Transformateur	1	
7	1	472 9913-43	Clamp	Bride de fixation	3	Kit 25 pcs
8	1	471 8861-01	Level guard	Limiteur de niveau	1,2	
9	1	471 9529-10	Mains filter	Filtre de filet	3	208-240V
10	1	432 2152-01	Protective cover	Couvercle de protection	3	
11	1	432 3082-48	Cable set	Jeu de câbles	3	
	1	432 3082-57	Cable set	Jeu de câbles	3	X31-X92
13	1	432 3182-93	Cable set	Jeu de câbles	3	X93
14	1	432 3082-84	Cable set	Jeu de câbles	3	X178-L1, N/L2
15	1	432 3087-04	Cable set	Jeu de câbles	3	X20-X172
16	1	432 3082-27	Cable set	Jeu de câbles	3	X33-X278
17	1	432 3082-82	Cable set	Jeu de câbles	3	X91-L1, N/L2
18	1	432 3182-21	Cable set	Jeu de câbles	3	-725/7906
	1	432 3182-20	Cable set	Jeu de câbles	3	725/7907-
19	1	432 3082-49	Cable set	Jeu de câbles	3	X37-X302
20	1	432 3088-30	Cable set	Jeu de câbles	3	X36-X48
21	1	432 3087-30	Cable set	Jeu de câbles	3	X35-X43
22	1	432 3084-40	Cable set	Jeu de câbles	3	X24-X301
23	1	432 3082-77	Cable set	Jeu de câbles	3	X23
24	1	432 3082-18	Cable set	Jeu de câbles	3	X22-X40
25	1	432 3086-91	Cable set	Jeu de câbles	3	X30
26	1	432 3082-99	Cable set	Jeu de câbles	3	X96
27	1	432 3086-15	Cable set	Jeu de câbles	3	X21



Issue	Month	Year
02	10	01

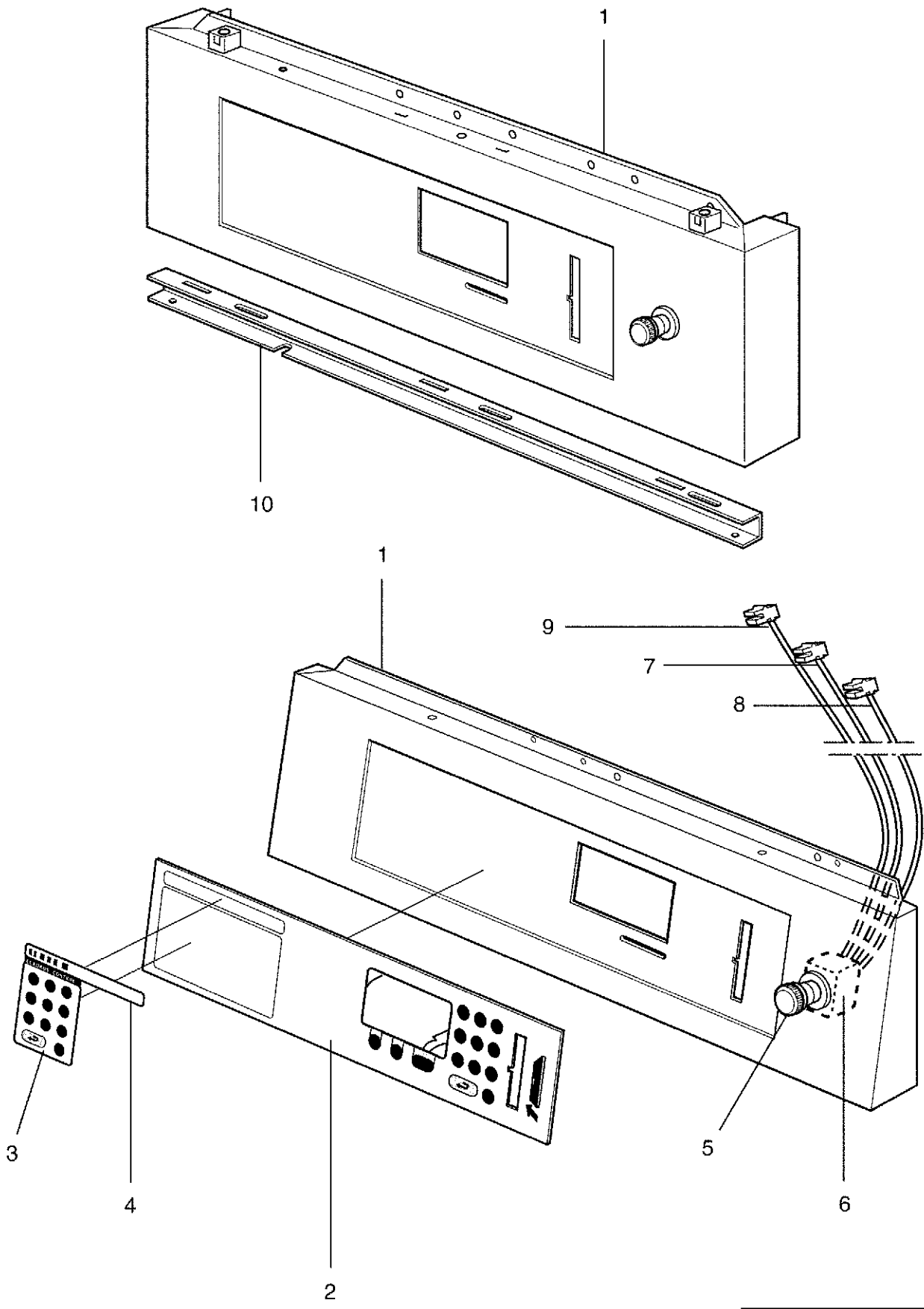
EX640c,EX640s

Electrical components Exacta

Composants électriques Exacta

Illustration Issue Month Year
Schéma Issue Month Year
101928/2 8 5 2004

Item Article	Qua. Qua.	Art.No Réf. article	Description	Description	Info Info	Notes Remarques
1	1	432 2167-01	Mounting plate	Plaque de montage	3	
2	1	471 8988-11	Printed circuit board	Circuit imprimé	1,2	
3	6	471 7958-02	Support	Support	3	
4	1	438 9555-11	Control unit	Organe de direction	1,2	230V -725/7906
	1	438 9555-12	Control unit	Organe de direction	1,2	120V -725/7906
	1	438 9564-01	Control unit	Organe de direction	1,2	725/7907-
5	1	471 9558-12	Transformer	Transformateur	1	
6	1	472 9913-43	Clamp	Bride de fixation	3	Kit 25 pcs
7	1	471 8861-01	Level guard	Limiteur de niveau	1,2	
8	1	432 3910-01	Protective cover	Couvercle de protection	3	Rear
9	1	432 3909-01	Protective cover	Couvercle de protection	3	Front
10	4	432 3907-01	Grommet	Oeillet	3	
11	2	432 3908-01	Grommet	Oeillet	3	
12	1	432 3082-47	Cable set	Jeu de câbles	3	X90-X45
13	1	432 3082-58	Cable set	Jeu de câbles	3	X31-X92
14	1	432 3182-94	Cable set	Jeu de câbles	3	X93
15	1	432 3087-05	Cable set	Jeu de câbles	3	X20-X172
16	1	432 3082-26	Cable set	Jeu de câbles	3	X33-X278
17	1	432 3082-42	Cable set	Jeu de câbles	3	X91-X178
18	1	432 3182-20	Cable set	Jeu de câbles	3	X94-X304 -725/7906
	1	432 3083-20	Cable set	Jeu de câbles	3	X94-X304 725/7907-
19	1	432 3082-51	Cable set	Jeu de câbles	3	X37-X302
20	1	432 3088-31	Cable set	Jeu de câbles	3	X36-X48
21	1	432 3087-31	Cable set	Ensemble de câbles	3	X35-X43
22	1	432 3184-03	Cable set	Jeu de câbles	3	X24-X301
23	1	432 3082-78	Cable set	Jeu de câbles	3	X23
24	1	432 3082-19	Cable set	Jeu de câbles	3	X22-X40
25	1	432 3086-93	Cable set	Jeu de câbles	3	X30
26	1	432 3082-89	Cable set	Jeu de câbles	3	X96
27	1	432 3086-10	Cable set	Jeu de câbles	3	X21
28	-					Not used



Issue	Month	Year
02	09	03

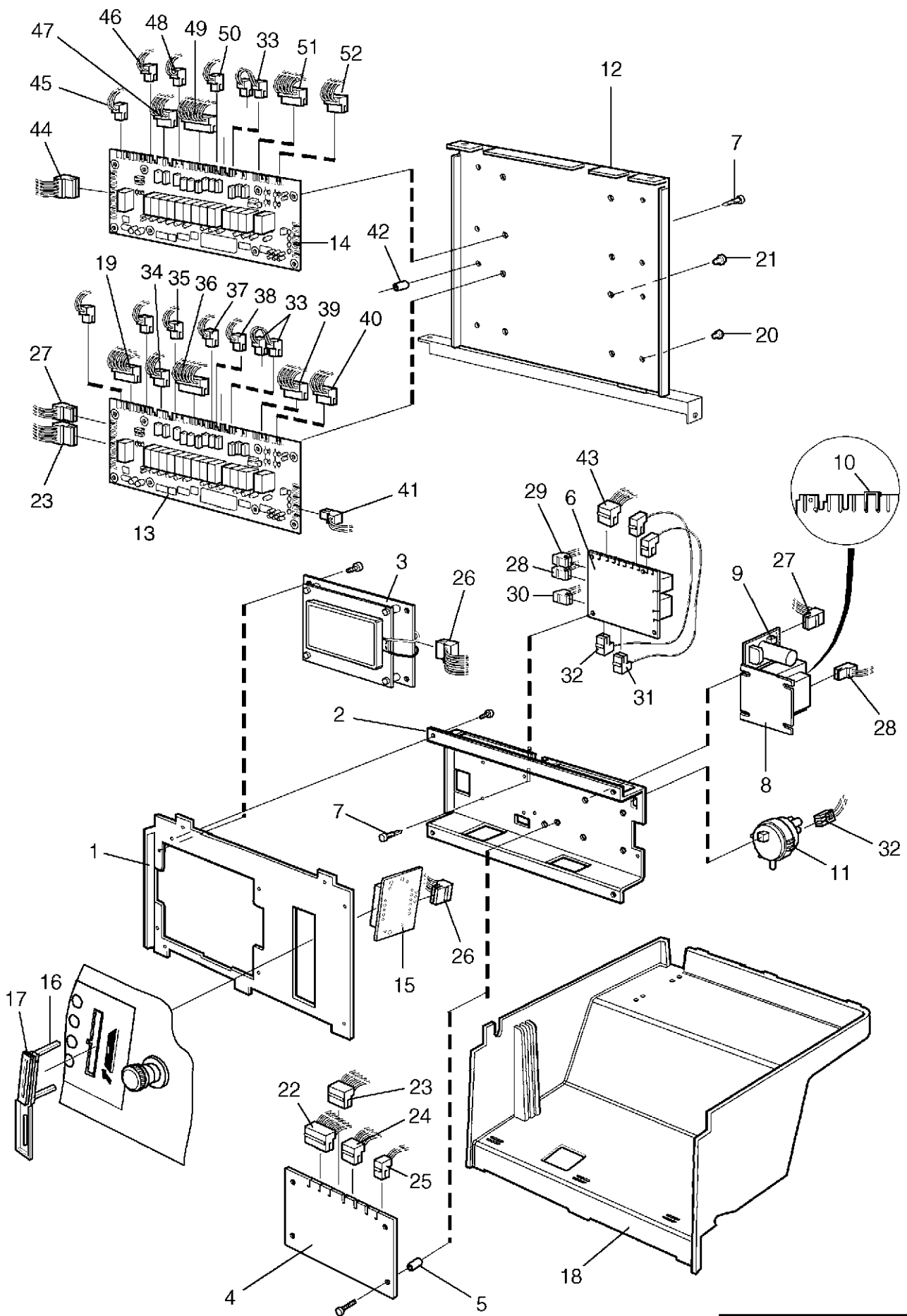
EX640c,EX640s

Control panel Clarus

Pupitre de commande Clarus

Illustration Issue Month Year
Schéma Issue Month Year
101770/2 4 5 2004

Item Article	Qua. Qua.	Art.No Réf. article	Description	Description	Info Info	Notes Remarques
1	1	432 2026-01	Front panel	Panneau avant	3	
2	1	432 2750-01	Control panel	Pupitre de commande	1,2	
3	1	432 2630-01	Instruction plate	Plaque instruction utilisation	3	Swedish
	1	432 2630-02	Instruction plate	Plaque instruction utilisation	3	English, Italian
	1	432 2630-03	Instruction plate	Plaque instruction utilisation	3	Japanese
	1	432 2630-04	Instruction plate	Plaque instruction utilisation	3	German
*	1	432 2630-02	Instruction plate	Plaque instruction utilisation	3	English, Italian
	1	432 2630-06	Instruction plate	Plaque instruction utilisation	3	Danish
*	1	432 2630-02	Instruction plate	Plaque instruction utilisation	3	English, Italian
*	1	432 2630-06	Instruction plate	Plaque instruction utilisation	3	Danish
	1	432 2630-09	Instruction plate	Plaque instruction utilisation	3	Spanish
	1	432 2630-10	Instruction plate	Plaque instruction utilisation	3	Polish
4	1	432 2606-01	Type plate	Numéro série plaque	3	W3180H
	1	432 2606-11	Type plate	Numéro série plaque	3	EX640c
	1	432 2606-40	Type plate	Numéro série plaque	3	FAS3180
5	1	471 9628-32	Emergency stop	Arrêt d'urgence	1,2	
6	1	471 9628-33	Contact block	Bloc de connexion	1,2	
7	1	432 3182-61	Cable set	Jeu de câbles	3	A11-X16:1
8	1	432 3182-72	Cable set	Jeu de câbles	3	X278
9	1	432 3182-78	Cable set	Jeu de câbles	3	A11-X6



Issue	Month	Year
03	05	02

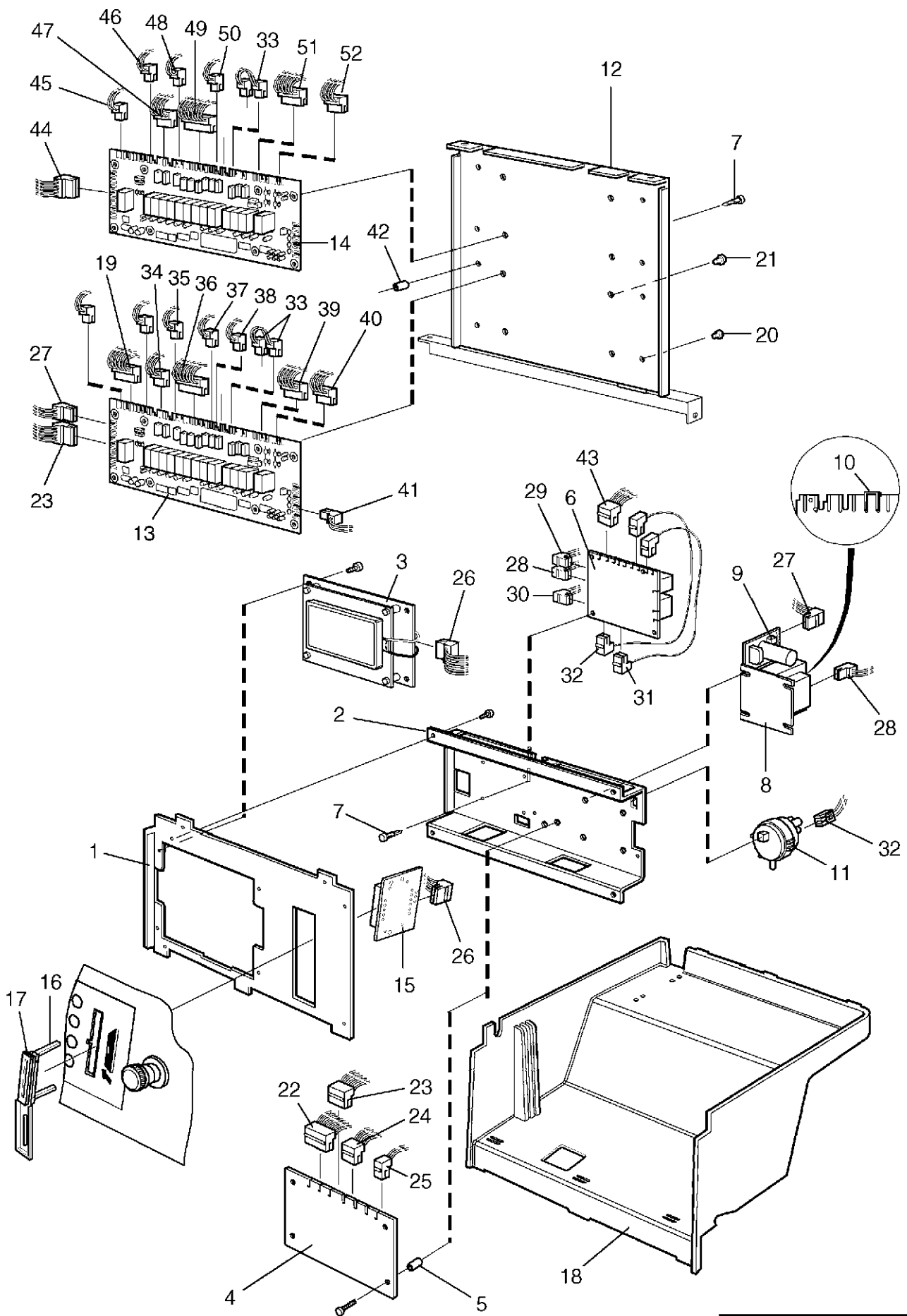
EX640c,EX640s

Electrical components Clarus

Composants électriques Clarus

Illustration Issue Month Year
Schéma Issue Month Year
101765/3 9 5 2004

Item Article	Qua. Qua.	Art.No Réf. article	Description	Description	Info Info	Notes Remarques
1	1	432 2159-01	Mounting plate	Plaque de montage	3	
2	1	432 2160-01	Mounting plate	Plaque de montage	3	
3	1	471 8997-02	Display	Ecran de contrôle	1,2	
4	1	471 8993-01	Printed circuit board	Circuit imprimé	1,2	Not configured
	1	438 7165-01	Printed circuit board	Circuit imprimé	1,2	7G01, 1 I/O-card English -725/7906
	1	438 7134-01	Printed circuit board	Circuit imprimé	1,2	7G01, 1 I/O-card English 725/7907-
	1	438 7134-16	Printed circuit board	Circuit imprimé	1,2	7G01, HW, 1 I/O-card English 725/7907-
	1	438 7165-02	Printed circuit board	Circuit imprimé	1,2	7W01 2 I/O-cards English -725/7906
	1	438 7165-03	Printed circuit board	Circuit imprimé	1,2	7G03, 1 I/O-card Japanese -725/7906
	1	438 7165-04	Printed circuit board	Circuit imprimé	1,2	7G01, 1 I/O-card German -725/7906
	1	438 7134-02	Printed circuit board	Circuit imprimé	1,2	7G01, 1 I/O-card German 725/7907-
	1	438 7165-05	Printed circuit board	Circuit imprimé	1,2	7G02, 1 I/O-card USA -725/7906
	1	438 7134-03	Printed circuit board	Circuit imprimé	1,2	7G02, HW, 1 I/O-card NON- HEATING,USA 725/7907-
	1	438 7134-17	Printed circuit board	Circuit imprimé	1,2	7W02, 2 I/O-cards NON- HEATING,USA 725/7907-
	1	438 7165-06	Printed circuit board	Circuit imprimé	1,2	7G01, 1 I/O-card French -725/7906
	1	438 7134-04	Printed circuit board	Circuit imprimé	1,2	7G01, 1 I/O-card French 725/7907-
	1	438 7165-07	Printed circuit board	Circuit imprimé	1,2	7G01, 1 I/O-card Danish -725/7906
	1	438 7134-15	Printed circuit board	Circuit imprimé	1,2	7G01, 1 I/O-card Danish 725/7907-
	1	438 7165-08	Printed circuit board	Circuit imprimé	1,2	7G01, 1 I/O-card Swedish -725/7906
	1	438 7134-05	Printed circuit board	Circuit imprimé	1,2	7G01, 1 I/O-card Swedish 725/7907-
	1	438 7165-09	Printed circuit board	Circuit imprimé	1,2	7W01 2 I/O-cards Swedish -725/7906
	1	438 7165-10	Printed circuit board	Circuit imprimé	1,2	7G01, 1 I/O-card Spanish -725/7906
	1	438 7165-44	Printed circuit board	Circuit imprimé	1,2	7G01, HW, 1 I/O-card Spanish -725/7906
	1	438 7134-06	Printed circuit board	Circuit imprimé	1,2	7G01, 1 I/O-card Spanish 725/7907-
	1	438 7165-11	Printed circuit board	Circuit imprimé	1,2	7G01, 1 I/O-card Finnish -725/7906
	1	438 7134-18	Printed circuit board	Circuit imprimé	1,2	7G01, 1 I/O-card Finnish 725/7907-
	1	438 7165-12	Printed circuit board	Circuit imprimé	1,2	7G02, 1 I/O-card GB English -725/7906
	1	438 7134-07	Printed circuit board	Circuit imprimé	1,2	7G02, 1 I/O-card GB English 725/7907-
	1	438 7165-43	Printed circuit board	Circuit imprimé	1,2	7W02, 2 I/O-cards GB English -725/7906
	1	438 7134-20	Printed circuit board	Circuit imprimé	1,2	7W01 2 I/O-cards GB English 725/7907-
	1	438 7165-13	Printed circuit board	Circuit imprimé	1,2	7G01, 1 I/O-card Italian -725/7906
	1	438 7134-08	Printed circuit board	Circuit imprimé	1,2	7G01, 1 I/O-card Italian 725/7907-



Issue	Month	Year
03	05	02

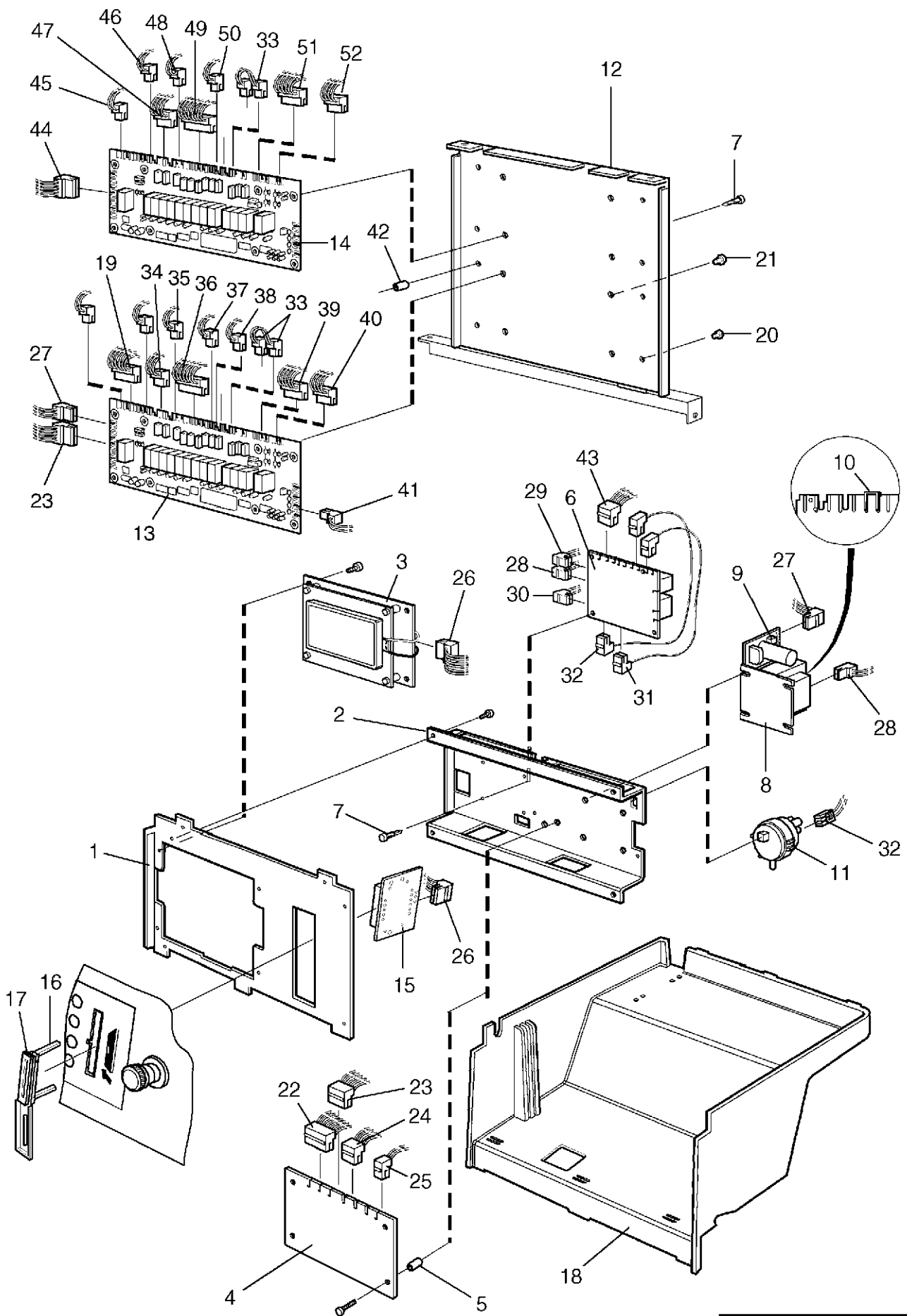
EX640c,EX640s

Electrical components Clarus

Composants électriques Clarus

Illustration Issue Month Year
Schéma Issue Month Year
101765/3 9 5 2004

Item Article	Qua. Qua.	Art.No Réf. article	Description	Description	Info Info	Notes Remarques
	1	438 7165-14	Printed circuit board	Circuit imprimé	1,2	7W01 2 I/O-cards Danish -725/7906
	1	438 7134-19	Printed circuit board	Circuit imprimé	1,2	7W01 2 I/O-cards Danish 725/7907-
	1	438 7165-15	Printed circuit board	Circuit imprimé	1,2	7G01, 1 I/O-card Dutch -725/7906
	1	438 7165-16	Printed circuit board	Circuit imprimé	1,2	7W01 2 I/O-cards Dutch -725/7906
	1	438 7134-09	Printed circuit board	Circuit imprimé	1,2	7W01 2 I/O-cards Dutch 725/7907-
	1	438 7165-17	Printed circuit board	Circuit imprimé	1,2	7W01 2 I/O-cards French -725/7906
	1	438 7134-10	Printed circuit board	Circuit imprimé	1,2	7W01 2 I/O-cards French 725/7907-
	1	438 7165-18	Printed circuit board	Circuit imprimé	1,2	7G01, 1 I/O-card English -725/7906
	1	438 7165-19	Printed circuit board	Circuit imprimé	1,2	7W01 2 I/O-cards German -725/7906
	1	438 7134-11	Printed circuit board	Circuit imprimé	1,2	7W01 2 I/O-cards German 725/7907-
	1	438 7165-20	Printed circuit board	Circuit imprimé	1,2	7W01 2 I/O-cards Spanish -725/7906
	1	438 7134-12	Printed circuit board	Circuit imprimé	1,2	7W01 2 I/O-cards Spanish 725/7907-
	1	438 7165-21	Printed circuit board	Circuit imprimé	1,2	7G01, 1 I/O-card Czech -725/7906
	1	438 7165-22	Printed circuit board	Circuit imprimé	1,2	7W01 2 I/O-cards Polish -725/7906
	1	438 7165-23	Printed circuit board	Circuit imprimé	1,2	7G01, 1 I/O-card Polish -725/7906
	1	438 7165-24	Printed circuit board	Circuit imprimé	1,2	7W01 2 I/O-cards Italian -725/7906
	1	438 7134-13	Printed circuit board	Circuit imprimé	1,2	7W01 2 I/O-cards Italian 725/7907-
	1	438 7165-25	Printed circuit board	Circuit imprimé	1,2	7G01, 1 I/O-card Norwegian -725/7906
	1	438 7165-26	Printed circuit board	Circuit imprimé	1,2	7G01, 1 I/O-card, DBS Italian -725/7906
	1	438 7165-27	Printed circuit board	Circuit imprimé	1,2	7W01 2 I/O-cards, DBS Danish -725/7906
	1	438 7165-28	Printed circuit board	Circuit imprimé	1,2	7G01, 1 I/O-card, DBS English -725/7906
	1	438 7165-29	Printed circuit board	Circuit imprimé	1,2	7G01, 1 I/O-card, DBS German -725/7906
	1	438 7165-30	Printed circuit board	Circuit imprimé	1,2	7G03, 1 I/O-card, DBS Japanese -725/7906
	1	438 7165-31	Printed circuit board	Circuit imprimé	1,2	7W03 2 I/O-cards, DBS Japanese -725/7906
	1	438 7165-32	Printed circuit board	Circuit imprimé	1,2	7G02, 1 I/O-card, DBS GB English -725/7906
	1	438 7165-33	Printed circuit board	Circuit imprimé	1,2	7W01 2 I/O-cards, DBS German -725/7906
	1	438 7165-34	Printed circuit board	Circuit imprimé	1,2	7W01 2 I/O-cards, DBS Italian -725/7906
	1	438 7165-35	Printed circuit board	Circuit imprimé	1,2	7W01 2 I/O-cards Norwegian -725/7906
	1	438 7134-14	Printed circuit board	Circuit imprimé	1,2	7W01 2 I/O-cards Norwegian 725/7907-



Issue	Month	Year
03	05	02

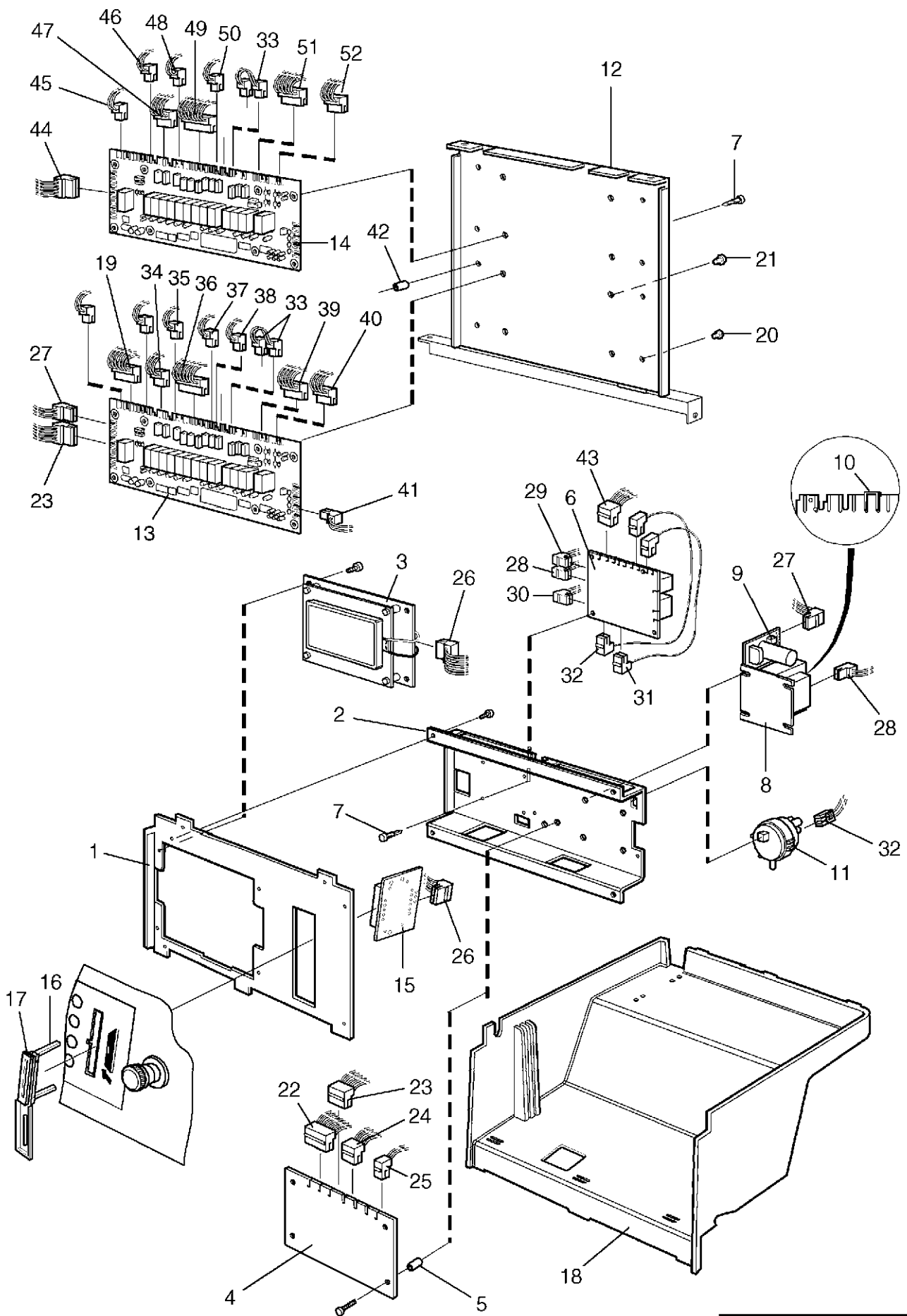
EX640c,EX640s

Electrical components Clarus

Composants électriques Clarus

Illustration Issue Month Year
Schéma Issue Month Year
101765/3 9 5 2004

Item Article	Qua. Qua.	Art.No Réf. article	Description	Description	Info Info	Notes Remarques
	1	438 7165-36	Printed circuit board	Circuit imprimé	1,2	7G03, 1 I/O-card, DBS Japanese -725/7906
	1	438 7165-37	Printed circuit board	Circuit imprimé	1,2	7G01, 1 I/O-card, DBS Danish -725/7906
	1	438 7165-38	Printed circuit board	Circuit imprimé	1,2	7W02, 2 I/O-cards USA -725/7906
	1	438 7165-39	Printed circuit board	Circuit imprimé	1,2	7W01 2 I/O-cards Czech -725/7906
	1	438 7165-40	Printed circuit board	Circuit imprimé	1,2	7W01 2 I/O-cards, DBS English -725/7906
5	4	438 0299-01	Spacer	Entretoise	3	
6	1	438 9555-11	Control unit	Organe de direction	1,2	230V -725/7906
	1	438 9555-12	Control unit	Organe de direction	1,2	120V -725/7906
	1	438 9564-01	Control unit	Organe de direction	1,2	725/7907-
7	Rq	471 7958-02	Support	Support	3	
8	1	471 8792-01	Transformer	Transformateur	3	
9	1	471 8750-11	•Fuse	•Porte-fusible	1,2	1,25A
10	1	472 9913-43	Clamp	Bride de fixation	3	Kit 25 pcs
11	1	471 8861-01	Level guard	Limiteur de niveau	1,2	
12	1	432 2161-01	Cover	Couvercle	3	
13	1	471 8995-01	Printed circuit board	Circuit imprimé	1,2	I/O-card Configured
14	1	471 8995-02	Printed circuit board	Circuit imprimé	1,2	I/O-card Configured
15	1	471 8793-01	Card reader	Lecteur de carte	1	
16	1	432 0150-01	Bracket	Pièce de retenue	3	
17	1	432 0149-01	Rubber cap	Capuchon caoutchouc	3	
18	1	432 2162-02	Protective cover	Couvercle de protection	3	
* 19	1	432 3086-92	Cable set	Jeu de câbles	3	A11X5
20	4		Plug	Fiche	3	Ø3,5
21	4		Plug	Bonde	3	Ø6,5
22	1	432 3087-92	Cable set	Jeu de câbles	3	A1X6-A2X6
23	1	432 3085-15	Cable set	Jeu de câbles	3	A11X2-A1X5
24	1	432 3084-40	Cable set	Jeu de câbles	3	A1X4-X301
25	1	432 3082-77	Cable set	Jeu de câbles	3	A1X1-Temp. sensor
26	1	432 2981-01	Cable set	Jeu de câbles	3	
27	1	432 3083-75	Cable set	Jeu de câbles	3	A11X3-X172
28	1	432 3082-41	Cable set	Jeu de câbles	3	X91-X178
29	1	432 3082-59	Cable set	Jeu de câbles	3	A11X4-X92
30	1	432 3082-48	Cable set	Jeu de câbles	3	X90-X45
31	1	432 3082-21	Cable set	Jeu de câbles	3	X94-X304
32	1	432 3182-93	Cable set	Jeu de câbles	3	X93
33	1	432 3082-56	Cable set	Jeu de câbles	3	X13-X12
34	1	432 3083-30	Cable set	Jeu de câbles	3	A11X7-X49
35	1	432 3082-15	Cable set	Jeu de câbles	3	A11X8-X47
36	1	432 3087-20	Cable set	Jeu de câbles	3	A11X9-X48
37	1	432 3082-49	Cable set	Jeu de câbles	3	A11X10-X302
38	1	432 3082-43	Cable set	Jeu de câbles	3	A11X11-X42
39	1	432 3085-25	Cable set	Jeu de câbles	3	A11X14-X43
40	1	432 3084-16	Cable set	Jeu de câbles	3	A11X15-X41
41	1	432 3082-18	Cable set	Jeu de câbles	3	A11X16:3-X40
42	4	438 0299-01	Spacer	Entretoise	3	
* 43	1	432 3082-90	Cable set	Jeu de câbles	3	X96
44	1	432 3085-04	Cable set	Jeu de câbles	3	A11X1-A12X2
45	1	432 3082-16	Cable set	Jeu de câbles	3	A12X4-X63
46	1	432 3082-50	Cable set	Jeu de câbles	3	A12X6-X69
47	1	432 3083-32	Cable set	Jeu de câbles	3	A12X7-X66
48	1	432 3082-17	Cable set	Jeu de câbles	3	A12X8-X65
49	1	432 3088-32	Cable set	Jeu de câbles	3	A12X9-X62
50	1	432 3182-02	Cable set	Jeu de câbles	3	A11X11-A12X10
51	1	432 3085-27	Cable set	Jeu de câbles	3	A12X14-X61



Issue	Month	Year
03	05	02

EX640c,EX640s

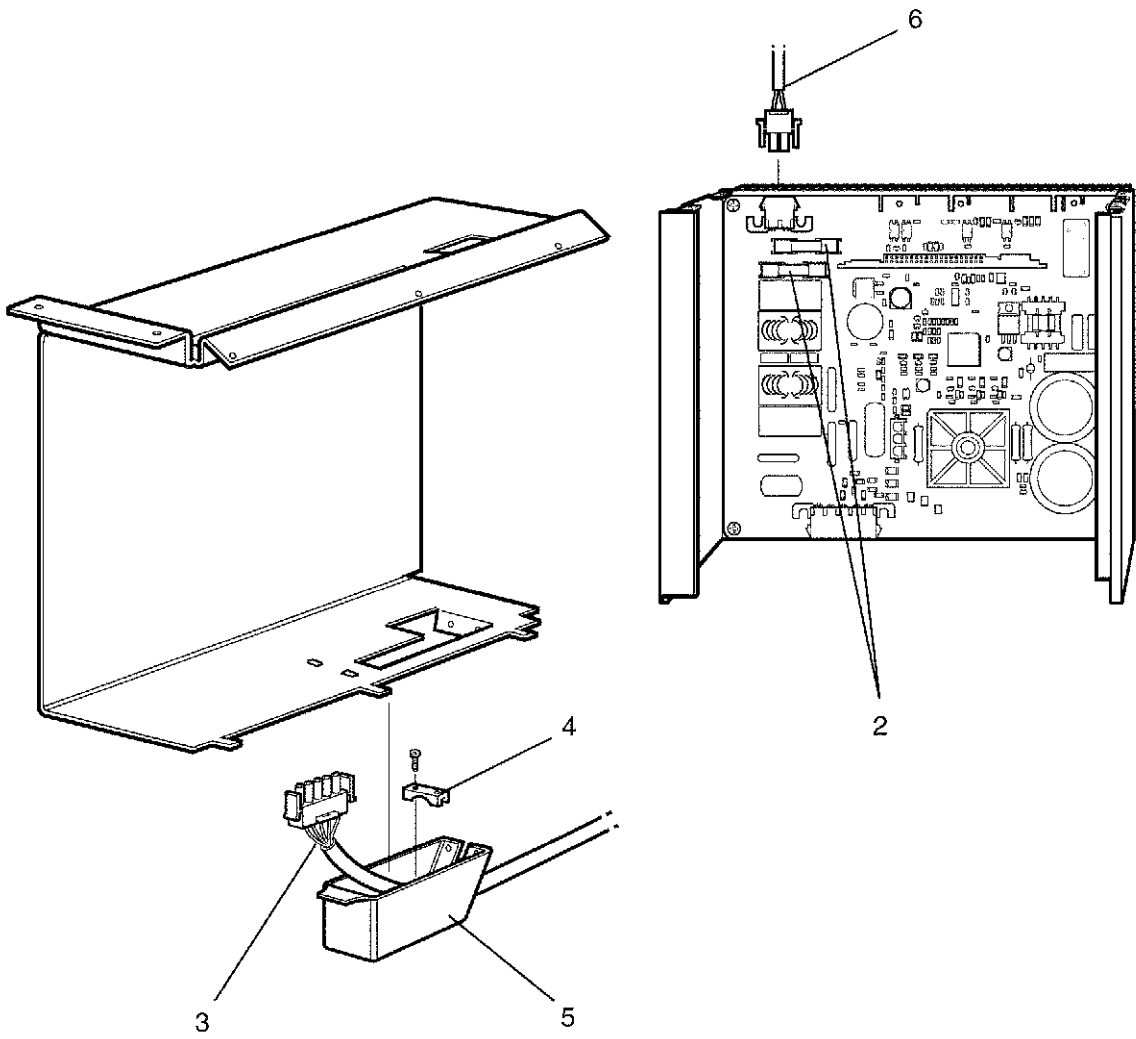
Electrical components Clarus

Composants électriques Clarus

Illustration	Issue	Month	Year
Schéma	Issue	Month	Year
101765/3	9	5	2004

Item Article	Qua. Qua.	Art.No Réf. article	Description	Description	Info Info	Notes Remarques
52	1	432 3084-25	Cable set	Jeu de câbles	3	A12X15-X60

①



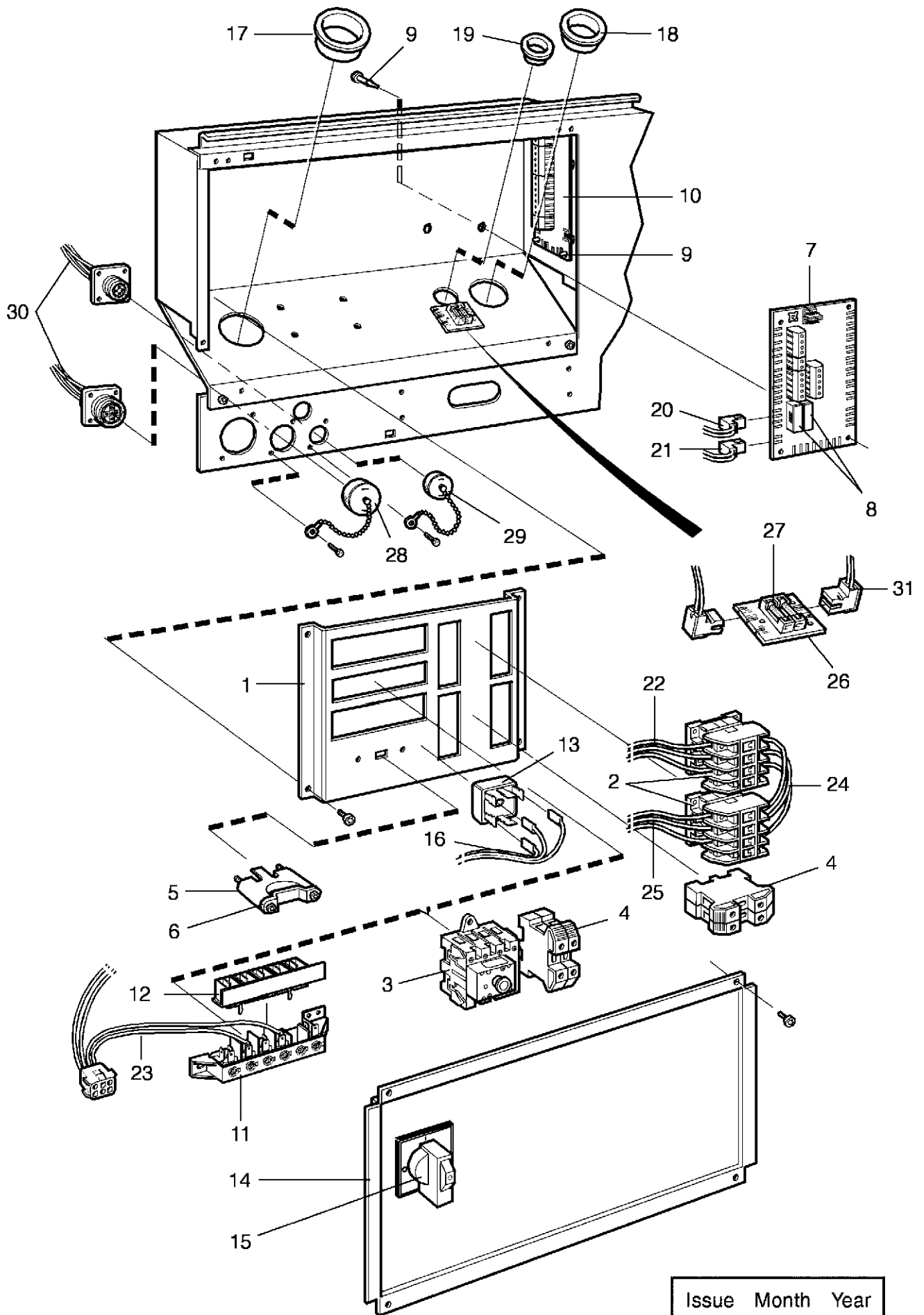
EX640c,EX640s

Motor control

Controle du moteur

Illustration	Issue	Month	Year
Schéma	Issue	Month	Year
101766/1	6	12	2003

Item Article	Qua. Qua.	Art.No Réf. article	Description	Description	Info Info	Notes Remarques
1	1	471 9778-01	Motor control	Controle du moteur	1	200-240V Complete -725/7906
	1	471 9784-02	Motor control	Controle du moteur	1	200-240V Complete 725/7907-
2	2	471 8768-03	•Fuse	•Porte-fusible	1,2	20A
3	1		Cable set	Jeu de câbles		See motor
4	1	438 9799-02	Clamp	Attache	3	
5	1	438 9799-01	Cover	Couvercle	3	
6	1	432 2960-01	Cable set	Jeu de câbles	3	Main switch
	1	432 2960-04	Cable set	Jeu de câbles	3	1AC Terminal block



Issue	Month	Year
01	10	02

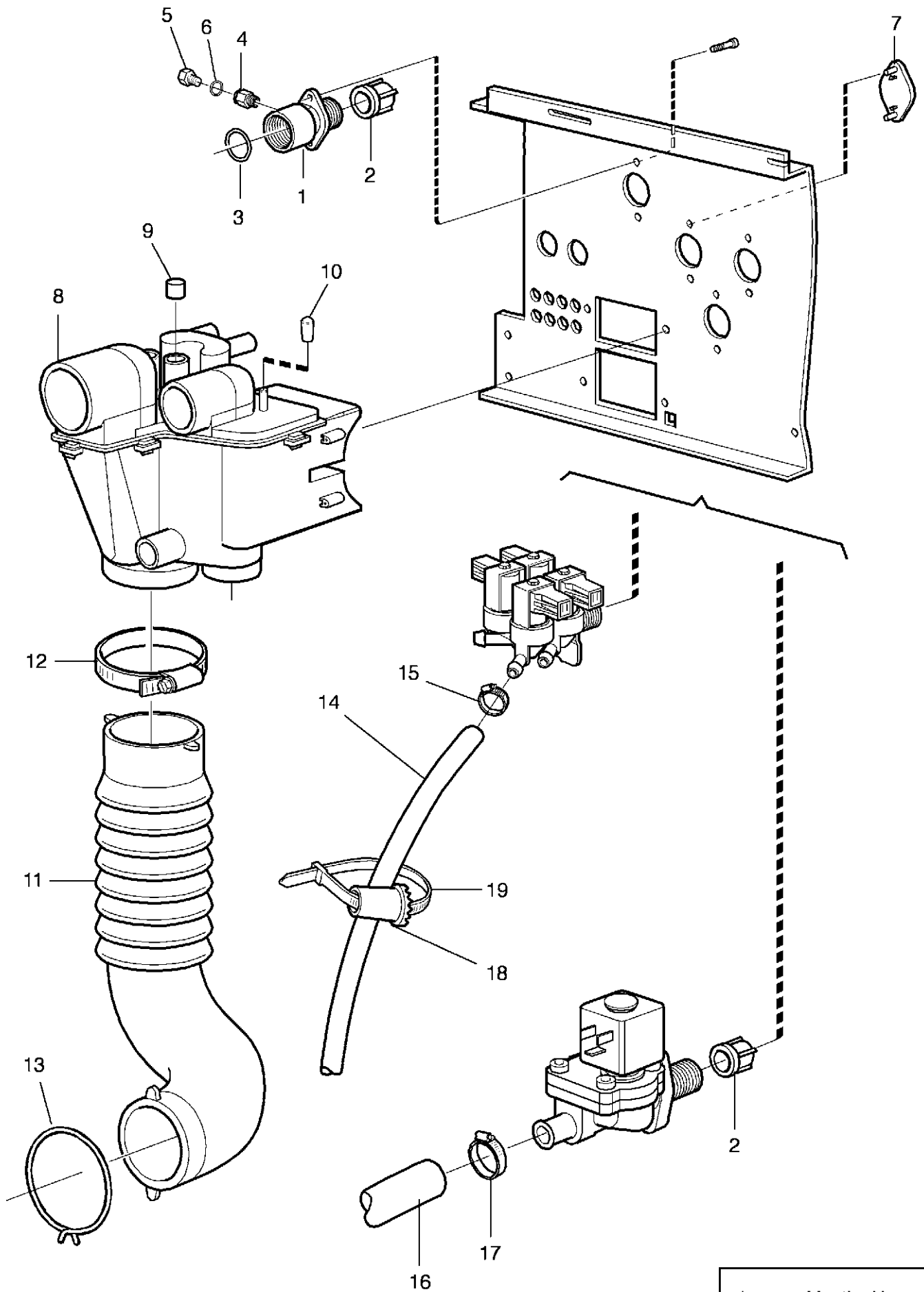
EX640c,EX640s

Electric components connection

Composants électriques raccordement électrique

Illustration Issue Month Year
Schéma Issue Month Year
101791/3 6 4 2002

Item Article	Qua. Qua.	Art.No Réf. article	Description	Description	Info Info	Notes Remarques
1	1	432 2154-01	Mounting plate	Plaque de montage	3	
2	Rq	471 9635-11	Contacteur	Relais	1,2	50Hz 400-415V
	Rq	471 9635-10	Contacteur	Relais	1,2	60Hz 400-415V
3	1	438 9678-11	Main switch	Main switch	1	4-pole, 30A
	1	438 9678-13	Main switch	Main switch	1	4-pole, 50A
4	2	471 8767-01	Block	Bloc de connexion	3	
5	1	471 7859-12	Clamp	Attache	3	Lower part
6	1	471 7859-16	Clamp	Attache	3	Upper part
7	1	438 8786-02	Printed circuit board	Circuit imprimé	1,2	Clarus
	1	438 8785-01	Printed circuit board	Circuit imprimé	1,2	Exacta
8	2	471 8750-11	•Fuse	•Porte-fusible	1,2	1,25A
9	Rq	471 7958-02	Support	Support	3	
10	1	438 8787-01	Printed circuit board	Circuit imprimé	1,2	Clarus
11	1	471 8759-01	Block	Cale	3	
12	1	471 8759-51	Cover	Couvercle	3	
13	1	471 9573-02	Rectifier	Redresseur	1,2	
14	1	432 2156-01	Cover	Couvercle	3	With hole
	1	432 2156-02	Cover	Couvercle	3	Without hole
15	1	471 9678-94	Knob	Bouton	1	
16	1	432 2960-03	Cable set	Jeu de câbles	3	3AC
17	1	762 1215-10	Grommet	Oeillet	3	Ø48/35mm
18	1	762 1215-10	Grommet	Oeillet	3	Ø48/35mm
19	1	762 1182-10	Grommet	Oeillet	3	Ø22,2MM
20	1	432 3082-86	Cable set	Jeu de câbles	3	X44-L1, N/L2
21	1	432 3182-52	Cable set	Jeu de câbles	3	X46
22	3	432 2954-01	Cable set	Jeu de câbles	3	400V
	3	432 2954-03	Cable set	Jeu de câbles	3	415/240V 3/1AC
23	1	432 2986-01	Cable set	Jeu de câbles	3	
	1	432 2976-01	Cable set	Jeu de câbles	3	Marine, transformer T2
24	2	432 2984-01	Cable set	Jeu de câbles	3	
25	3	432 2954-11	Cable set	Jeu de câbles	3	400V
	3	432 2954-13	Cable set	Jeu de câbles	3	230V
26	1	438 8797-01	Printed circuit board	Circuit imprimé	1,2	
27	2	471 8750-11	•Fuse	•Porte-fusible	1,2	1,25A
28	1	438 7950-02	Cover washer	Rondelle protection	3	14-pole
29	1	438 7950-01	Cover washer	Rondelle protection	3	4-pole
30	1	432 2945-01	Cables	Câble	3	
31	1	432 3082-25	Cable set	Jeu de câbles	3	X44-X144



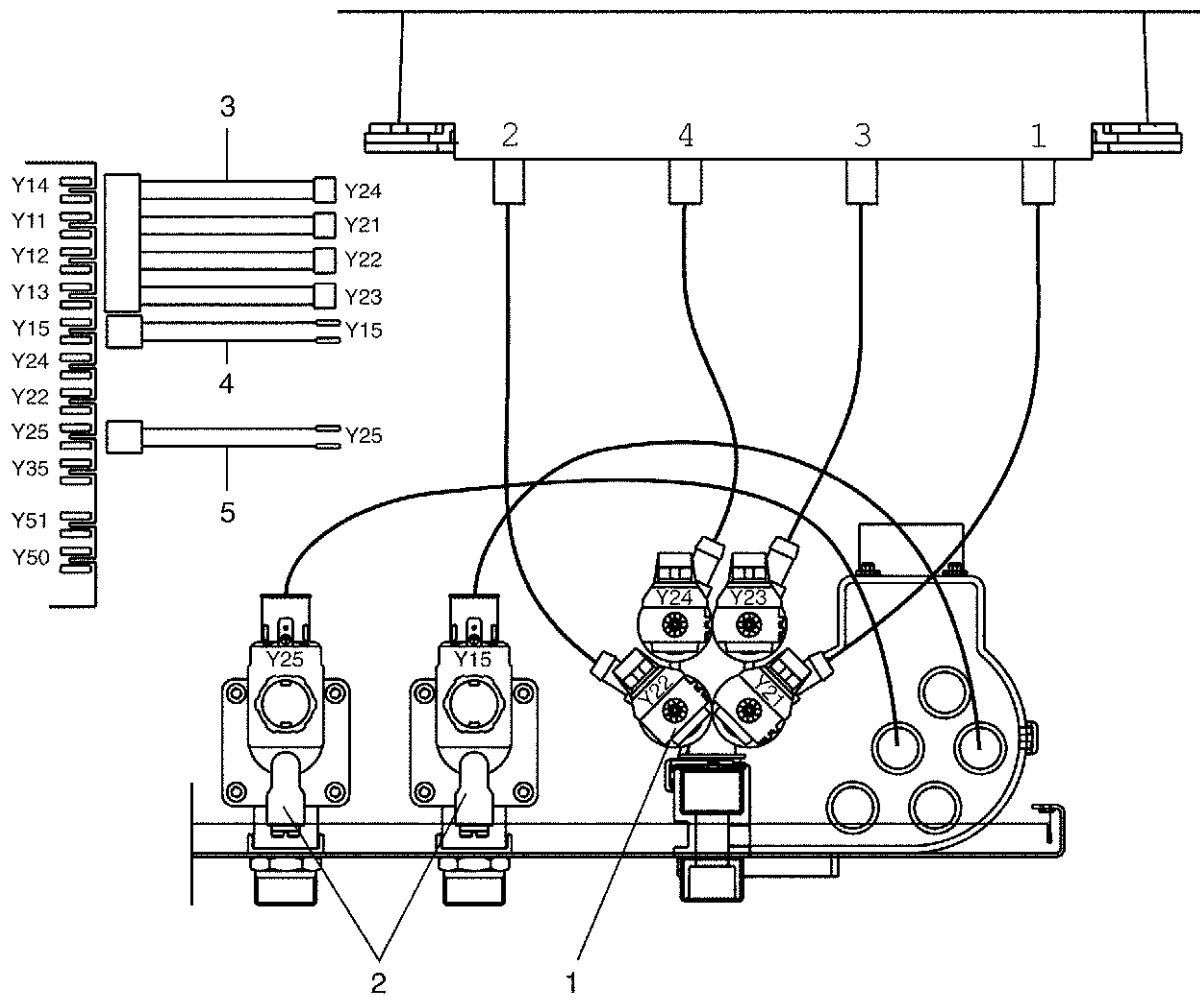
EX640c,EX640s

Water connections

Raccords d'eau

Illustration Issue Month Year
Schéma Issue Month Year
101790/3 4 8 2001

Item Article	Qua. Qua.	Art.No Réf. article	Description	Description	Info Info	Notes Remarques
1	1	438 0056-03	Nipple	Raccord	3	Black, 3/4"
	1	438 0056-04	Nipple	Raccord	3	White, 3/4", USA
2	Rq	471 8693-21	Filter	Filtre	3	
3	1	471 8199-01	Gasket	Joint	3	
4	1	471 8688-13	Nipple	Raccord	3	1/8"
5	1	741 5109-25	Plug	Fiche	3	El-drain
6	1	740 4206-00	O-ring	Joint torique	3	El-drain
7	Rq	472 6761-01	Cover washer	Rondelle protection	3	
8	1	432 2301-01	Siphon breaker	Rupteur de siphon	3	
9	Rq	471 8175-01	Plug	Fiche	3	
10	1	471 8644-02	Plug	Fiche	3	El-drain
11	1	432 2306-01	Hose	Flexible	1	
12	1	736 2846-51	Hose clamp	Attache flexible	3	Ø73-83
13	1	471 7871-04	Hose clamp	Attache flexible	3	
14	Rq	877 5211-08	Hose	Flexible	1	Per 1 m
15	Rq	736 2816-51	Hose clamp	Attache flexible	3	Ø13-19
16	Rq	432 2308-01	Hose	Flexible	1	
17	Rq	736 2825-51	Hose clamp	Attache flexible	3	Ø32
18	1	471 4792-01	Tool	Outil	3	
19	1	762 9102-05	Cable tie	Collier de serrage	3	



Issue	Month	Year
01	03	00

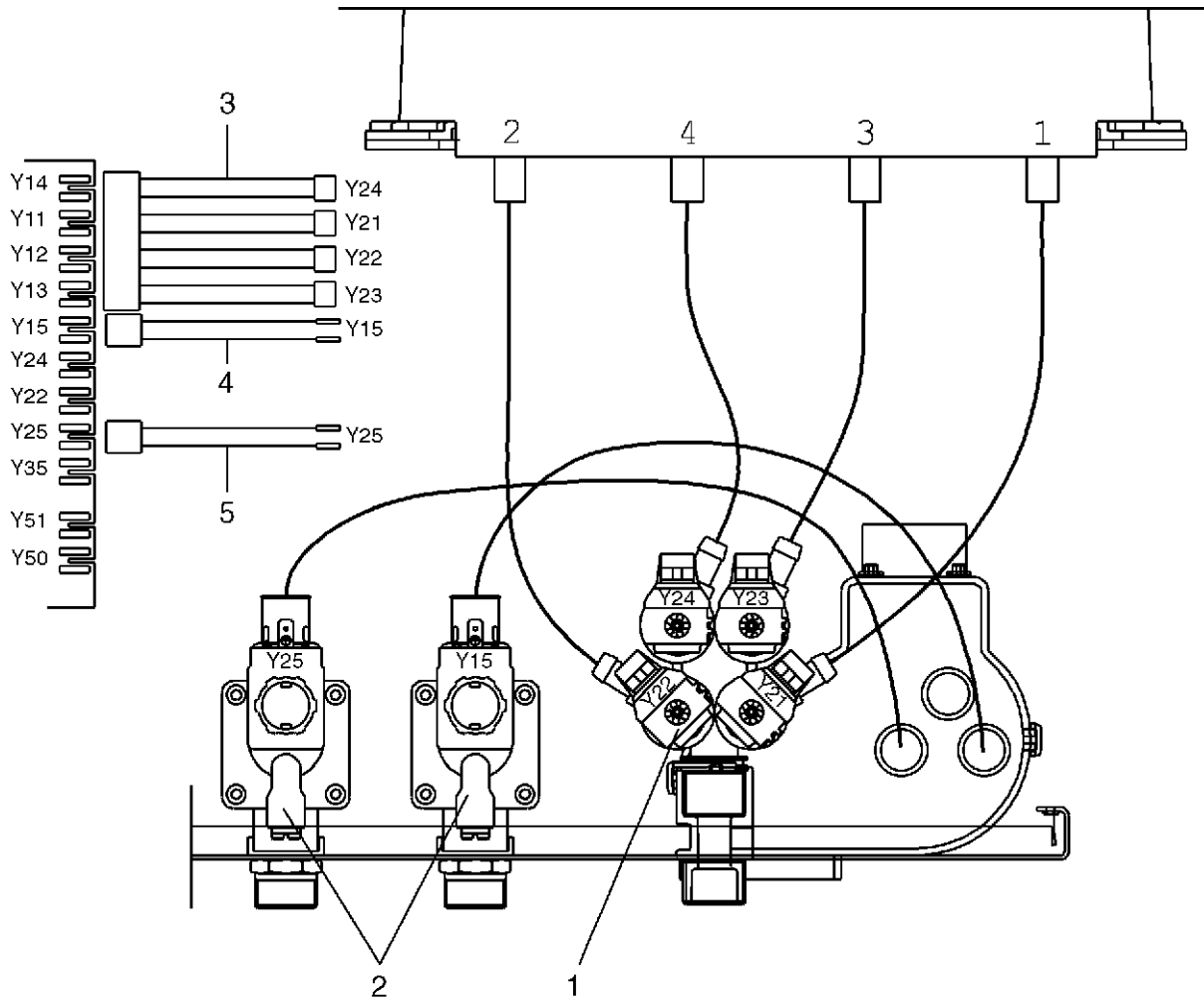
EX640c,EX640s

Inlet valves and cable set

Illustration Issue Month Year
Schéma Issue Month Year
101792/1 3 11 2000

Inlet valves and cable set

Item Article	Qua. Qua.	Art.No Réf. article	Description	Description	Info Info	Notes Remarques
1	1	471 8240-63	Valve	Soupape	1,2	4-way
	1	471 8240-69	Valve	Soupape	1,2	60Hz 4-way USA
	1	471 6860-15	•Coil	•Bobine	1,2	120V Green
	1	471 6860-16	•Coil	•Bobine	1,2	120V Orange
	1	471 6860-17	•Coil	•Bobine	1,2	120V White
	1	471 8240-90	•Coil	•Bobine	1,2	120V Grey
	1	471 6860-18	•Coil	•Bobine	1,2	Green
	1	471 6860-19	•Coil	•Bobine	1,2	Orange
	1	471 6860-20	•Coil	•Bobine	1,2	White
	1	471 8240-91	•Coil	•Bobine	1,2	Grey
	2	2	471 8210-70	Valve	Soupape	1,2
2		471 8210-79	•Coil	•Bobine	1,2	50/60 Hz
2		471 8210-71	Valve	Soupape	1,2	60Hz USA
2		471 8210-78	•Coil	•Bobine	1,2	60Hz USA
3	1	432 3088-51	Cable set	Jeu de câbles	3	X53:D-
4	1	432 3182-46	Cable set	Jeu de câbles	3	X53:C-
5	1	432 3182-45	Cable set	Jeu de câbles	3	X53:A-



EX640c,EX640s

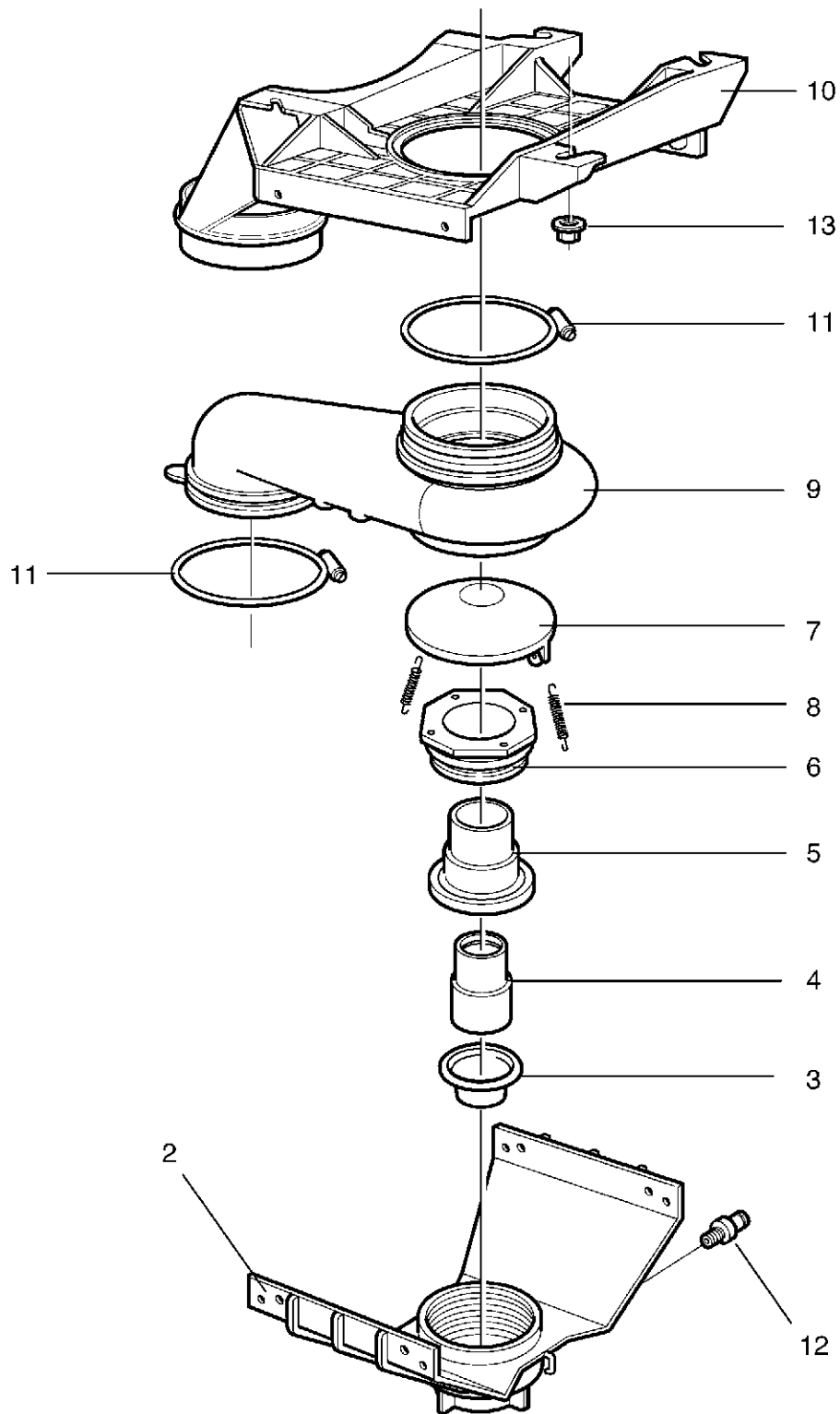
Inlet valves and cable set

Illustration Issue Month Year
Schéma Issue Month Year
102195/1 1 2 2003

Inlet valves and cable set

Item Article	Qua. Qua.	Art.No Réf. article	Description	Description	Info Info	Notes Remarques
1	1	471 8240-69	Valve	Soupape	1,2	60Hz 4-way
	1	471 6860-18	•Coil	•Bobine	1,2	Green
	1	471 6860-19	•Coil	•Bobine	1,2	Orange
	1	471 6860-20	•Coil	•Bobine	1,2	White
	1	471 8240-91	•Coil	•Bobine	1,2	Grey
2	2	471 8234-52	Valve	Soupape	1,2	208-240V 60Hz
	2	471 6860-18	•Coil	•Bobine	1,2	Green
	2	471 6860-19	•Coil	•Bobine	1,2	Orange
	2	471 6860-20	•Coil	•Bobine	1,2	White
3	1	432 3088-51	Cable set	Jeu de câbles	3	X53:D-
4	1	432 3182-46	Cable set	Jeu de câbles	3	X53:C-
5	1	432 3182-45	Cable set	Jeu de câbles	3	X53:A-

1



Issue	Month	Year
03	04	04

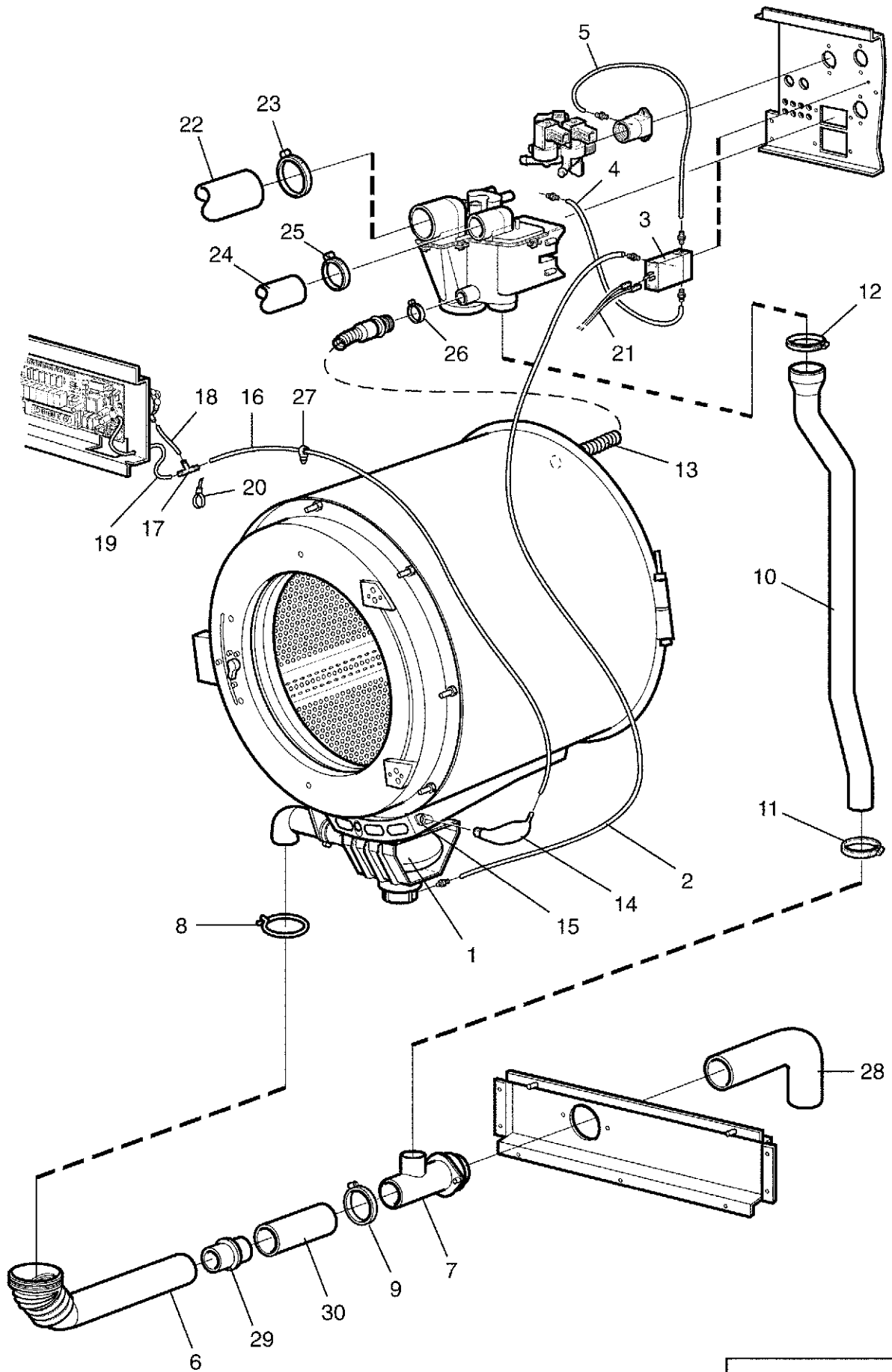
EX640c,EX640s

Drain valve

Purgeur

Illustration Issue Month Year
Schéma Issue Month Year
101772/3 2 4 2004

Item Article	Qua. Qua.	Art.No Réf. article	Description	Description	Info Info	Notes Remarques
1	1	432 2502-01	Drain valve	Purgeur	1,2	
2	1	438 0051-01	•Lower frame	•Châssis inférieur	3	
3	1	471 8195-01	•Diaphragm	•Diaphragme	1,2	
4	1	438 0054-01	•Piston	•Piston	3	
5	1	438 0053-01	•Housing	•Logement	3	
6	1	438 0055-01	•Gland	•Presse-étoupe	3	
7	1	438 0052-01	•Cover	•Couvercle	3	
8	2	471 7801-07	•Spring	•Ressort	1	
9	1	432 2505-01	•Hose housing	•Logement de flexible	1,2	
10	1	432 2501-01	•Upper frame	•Partie supérieure	3	
11	2	471 7871-04	•Hose clamp	•Attache flexible	3	
12	1	471 8688-13	•Nipple	•Raccord	1	1/8"
* 13	4	471 8404-03	Nut	Écrou	3	M6 Stainless



Issue	Month	Year
06	04	03

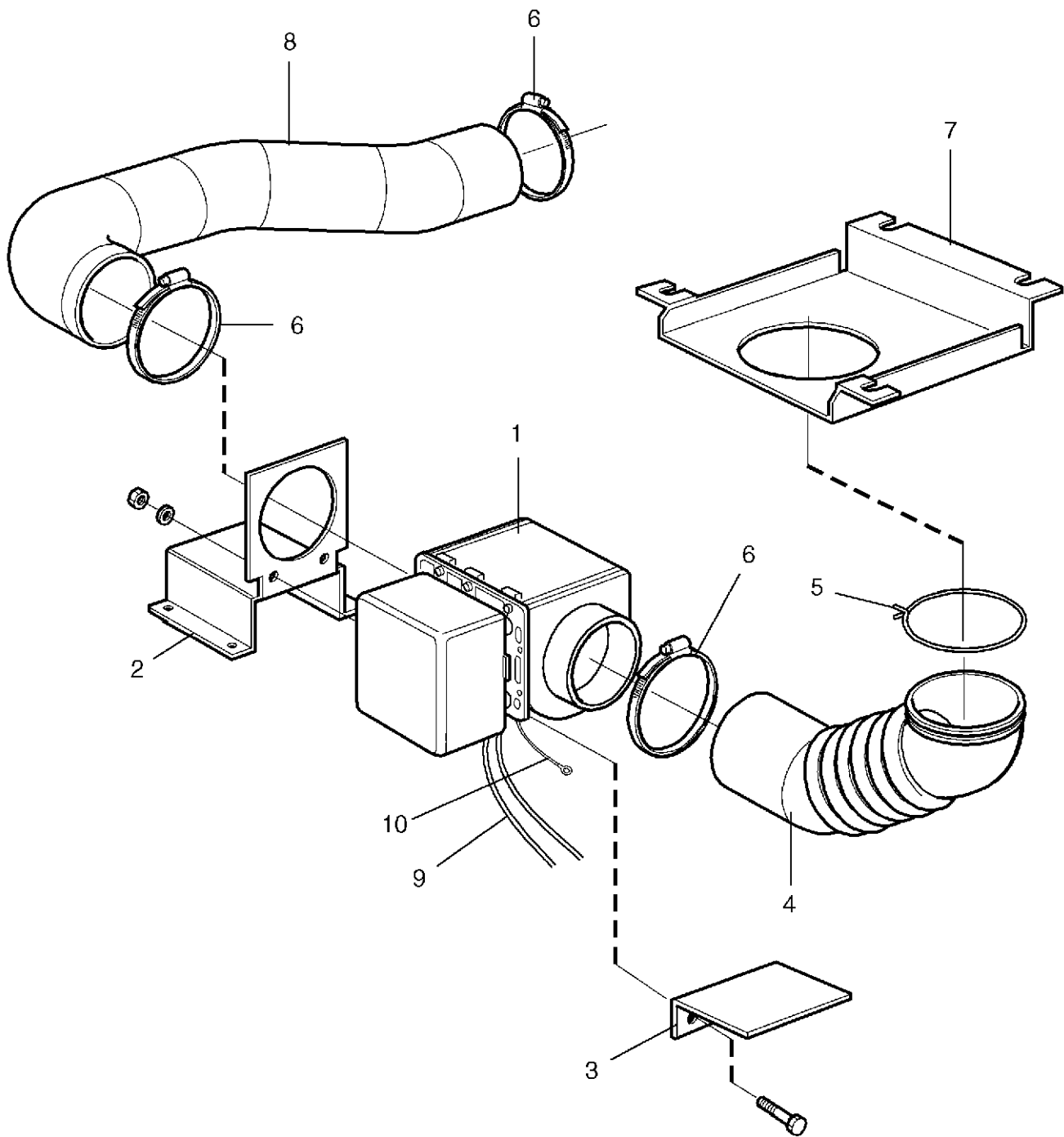
EX640c,EX640s

Drain valve and hoses

Purgeur et flexible

Illustration Issue Month Year
Schéma Issue Month Year
101767/5 4 6 2003

Item Article	Qua. Qua.	Art.No Réf. article	Description	Description	Info Info	Notes Remarques
1	1	432 2502-01	Drain valve	Purgeur	1,2	
2	1	471 8139-16	Hose	Flexible	1	L=2250
3	1	471 8243-04	Solenoid valve	Electrovanne	1,2	230V 50Hz -725/5190
	1	471 8243-07	Solenoid valve	Électrovanne	1,2	230V 50Hz 725/5191-
	1	471 8243-05	Solenoid valve	Électrovanne	1,2	208-240V 60Hz -725/5190
	1	471 8243-08	Solenoid valve	Électrovanne	1,2	208-240V 60Hz 725/5191-
4	1	471 8139-01	Hose	Flexible	1	L=330 -725/5190
	1	438 8102-06	Hose	Flexible	1	L=330 725/5191-
5	1	471 8139-01	Hose	Flexible	1	L=330
* 6	1	432 2516-02	Hose	Flexible	1	
7	1	432 2511-01	Drain pipe connection	Raccord de vidange	3	
8	1	471 7871-07	Hose clamp	Attache flexible	3	
9	4	736 2846-51	Hose clamp	Attache flexible	3	Ø73-83
* 10	1	432 2521-03	Hose	Flexible	1	
11	1	736 2837-51	Hose clamp	Attache flexible	3	Ø48-54
12	1	736 2837-51	Hose clamp	Attache flexible	3	Ø48-54
13	1	432 2508-02	Hose	Flexible	1	
14	1	432 2507-01	Air tube	Tube coudé	1	
15	1	432 2506-01	Connection	Connexion	3	
16	1	471 8118-07	Hose	Flexible	1	L=1275
17	1	471 2265-69	T-pipe	Tube en T	3	
18	1	471 2442-42	Hose	Flexible	1,2	L=120 Clarus
19	1	471 2464-18	Hose	Flexible	1	L=280 Clarus
20	1	471 7873-02	Cable tie	Collier de serrage	3	
21	1	432 3182-43	Cable set	Jeu de câbles	3	X50
22	1	471 8128-61	Hose	Flexible	1	
23	2	736 2840-51	Hose clamp	Attache flexible	3	Ø50-63
24	1	471 8124-04	Hose	Flexible	1	
25	2	736 2831-51	Hose clamp	Attache flexible	3	Ø36-42
26	1	736 2825-51	Hose clamp	Attache flexible	3	Ø32
27	3	471 7887-01	Clip	Colliers de serrage	3	
28	1	471 4835-01	Drain hose	Flexible de vidange	1	Ø75



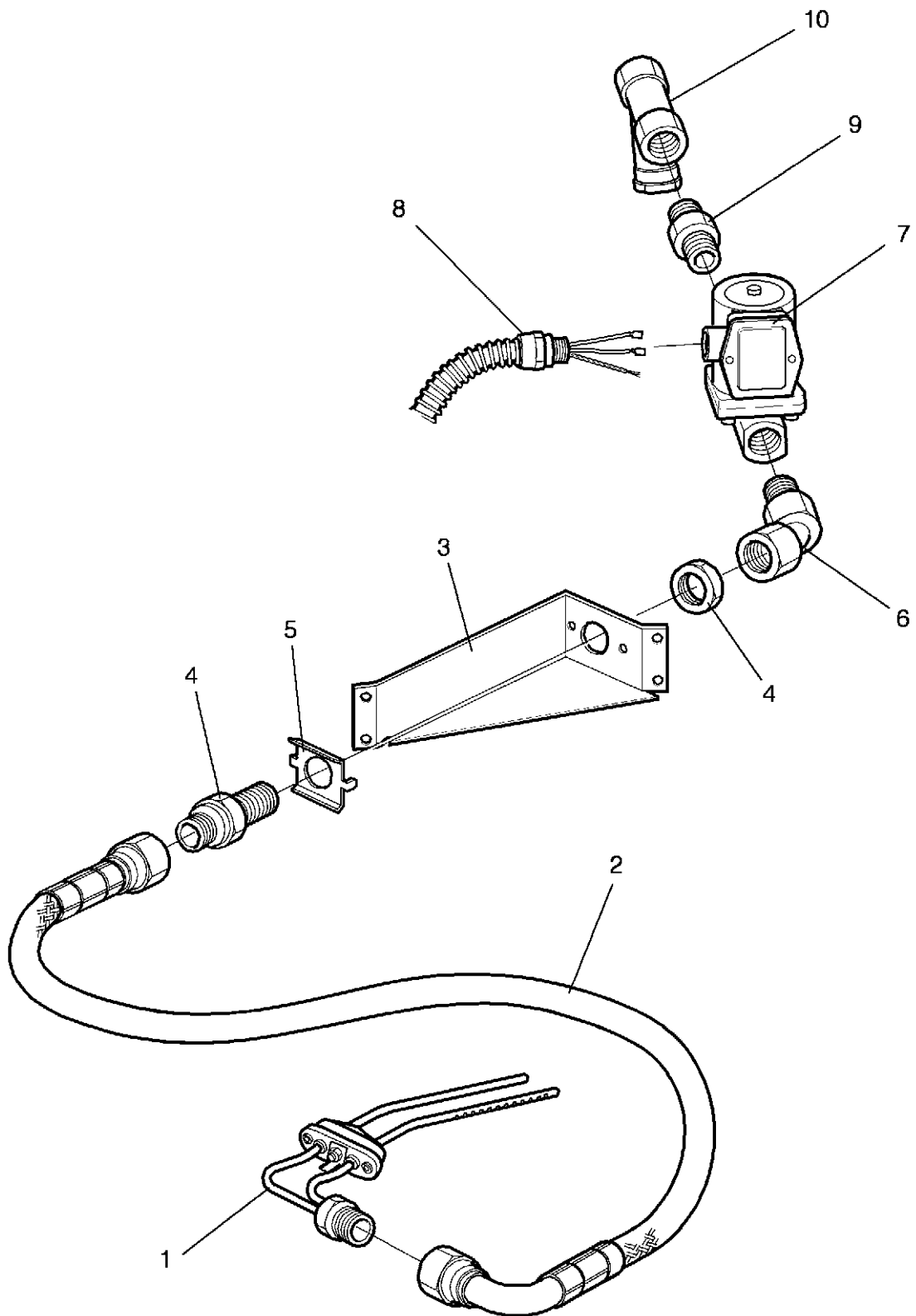
EX640c,EX640s

Drain valve, electrical

Drain valve, electrical

Illustration Issue Month Year
Schéma Issue Month Year
101924/2 4 1 2004

Item Article	Qua. Qua.	Art.No Réf. article	Description	Description	Info Info	Notes Remarques
1	1	471 8215-01	Drain valve	Purgeur	1,2	50/60Hz
2	1	432 2548-01	Cover	Couvercle	3	
3	1	432 2531-01	Mounting plate	Plaque de montage	3	
4	1	432 2537-01	Support	Support	3	
5	1	432 2516-05	Hose	Flexible	1	
6	1	471 7871-07	Hose clamp	Attache flexible	3	
7	3	736 2846-51	Hose clamp	Attache flexible	3	Ø73-83
8	1	432 2534-01	Mounting plate	Plaque de montage	3	
9	1	432 2518-03	Hose	Flexible	1	
10	1	432 2903-02	Cable set	Jeu de câbles	3	
	1	432 2982-10	Ground cable	Câble mise terre	3	



EX640c,EX640s

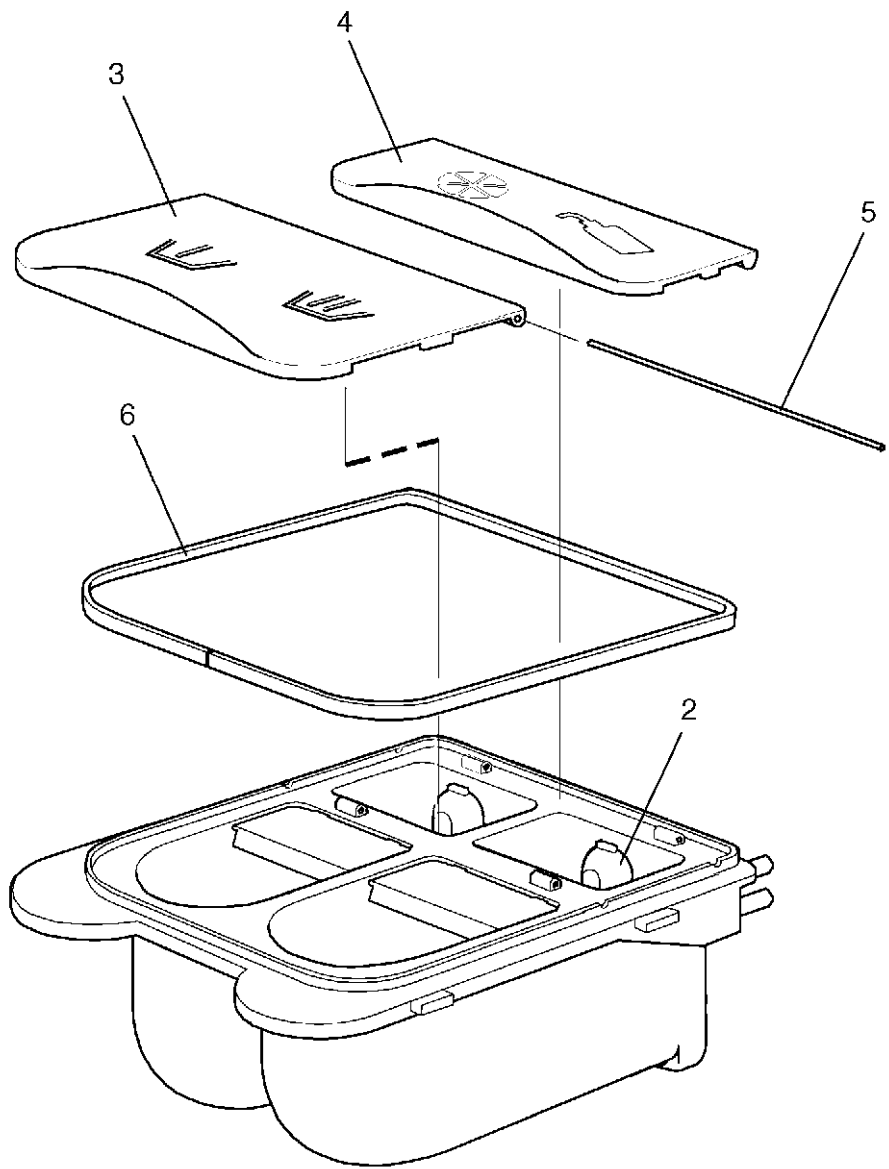
Steam components

Illustration Issue Month Year
Schéma Issue Month Year
101918/1 3 6 2003

Composants

Item Article	Qua. Qua.	Art.No Réf. article	Description	Description	Info Info	Notes Remarques
1	1	432 1631-01	Steam injector	Injecteur de vapeur	3	
2	1	471 8126-27	Steam hose	Tuyau flexible de vapeur	1	
3	1	432 1673-01	Bracket	Pupitre	3	
4	1	471 8695-01	Nipple	Raccord	3	
5	1	471 2937-01	Bracket	Support	3	
6	1	471 8697-01	Adapter	Adaptateur	3	
7	1	471 8279-03	Valve	Soupape	1,2	50/60 Hz
	1	471 8279-08	•Repair kit	•Kit de réparation	1,2	
8	1	432 2958-01	Cable set	Jeu de câbles	3	
9	1	471 8624-01	Nipple	Raccord	3	
10	1	744 3113-06	Filter	Filtre	3	1/2"

1



Issue	Month	Year
01	10	02

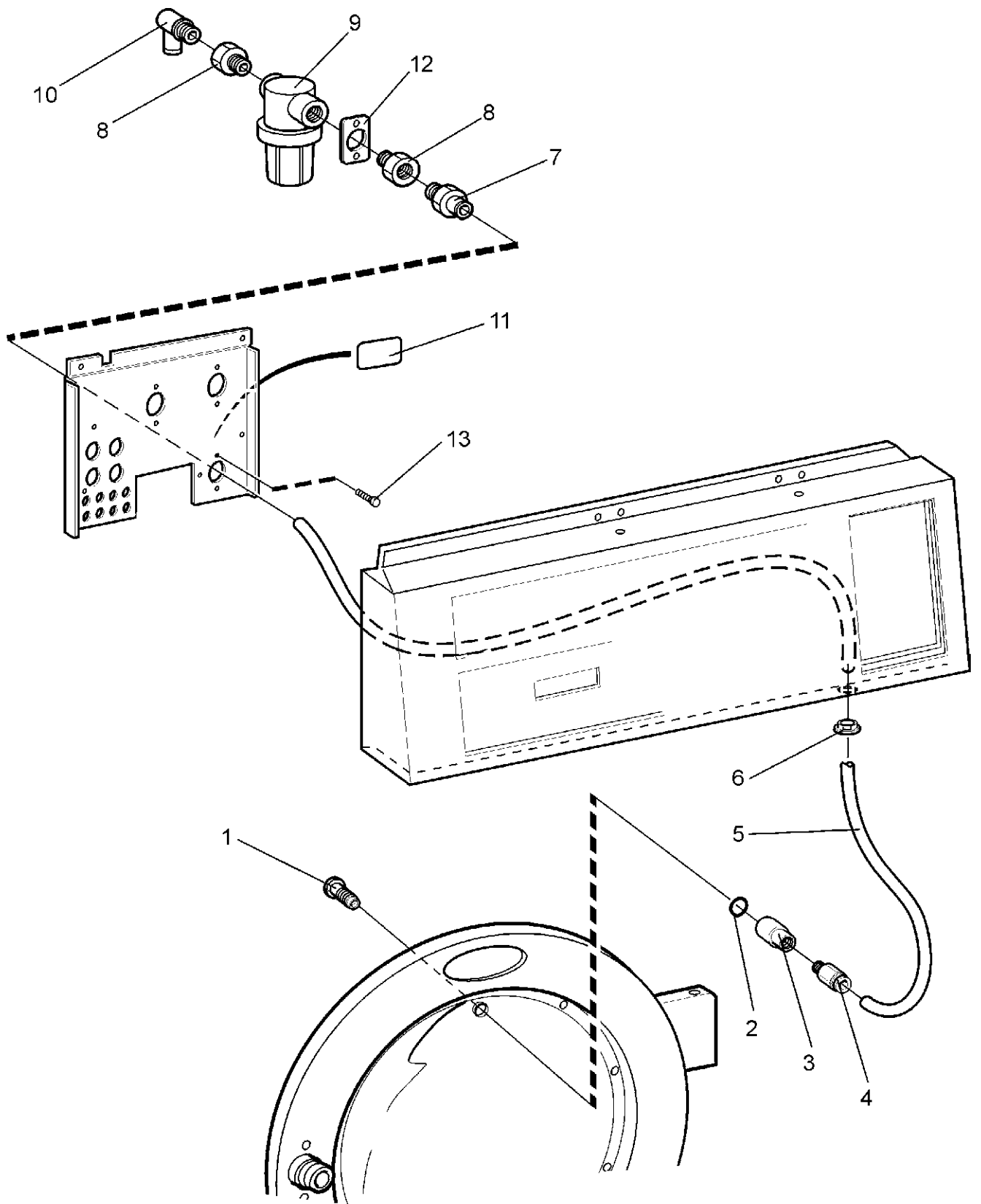
EX640c,EX640s

Detergent container

Compartiment à savon

Illustration Issue Month Year
Schéma Issue Month Year
101771/2 5 4 2003

Item Article	Qua. Qua.	Art.No Réf. article	Description	Description	Info Info	Notes Remarques
1	1	432 2401-01	Detergent container	Compartiment à savon	1,2	
2	2	432 2404-01	•Siphon	•Siphon	1,2	
3	1	432 2405-01	•Cover	•Couvercle	1,2	
4	1	432 2406-01	•Cover	•Couvercle	1,2	
5	2	432 2407-01	•Shaft	•Arbre	3	
6	1	438 8103-01	•Seal	•Joint	1,2	
7	1	432 2409-01	Cover	Couvercle	3	



Issue	Month	Year
01	10	02

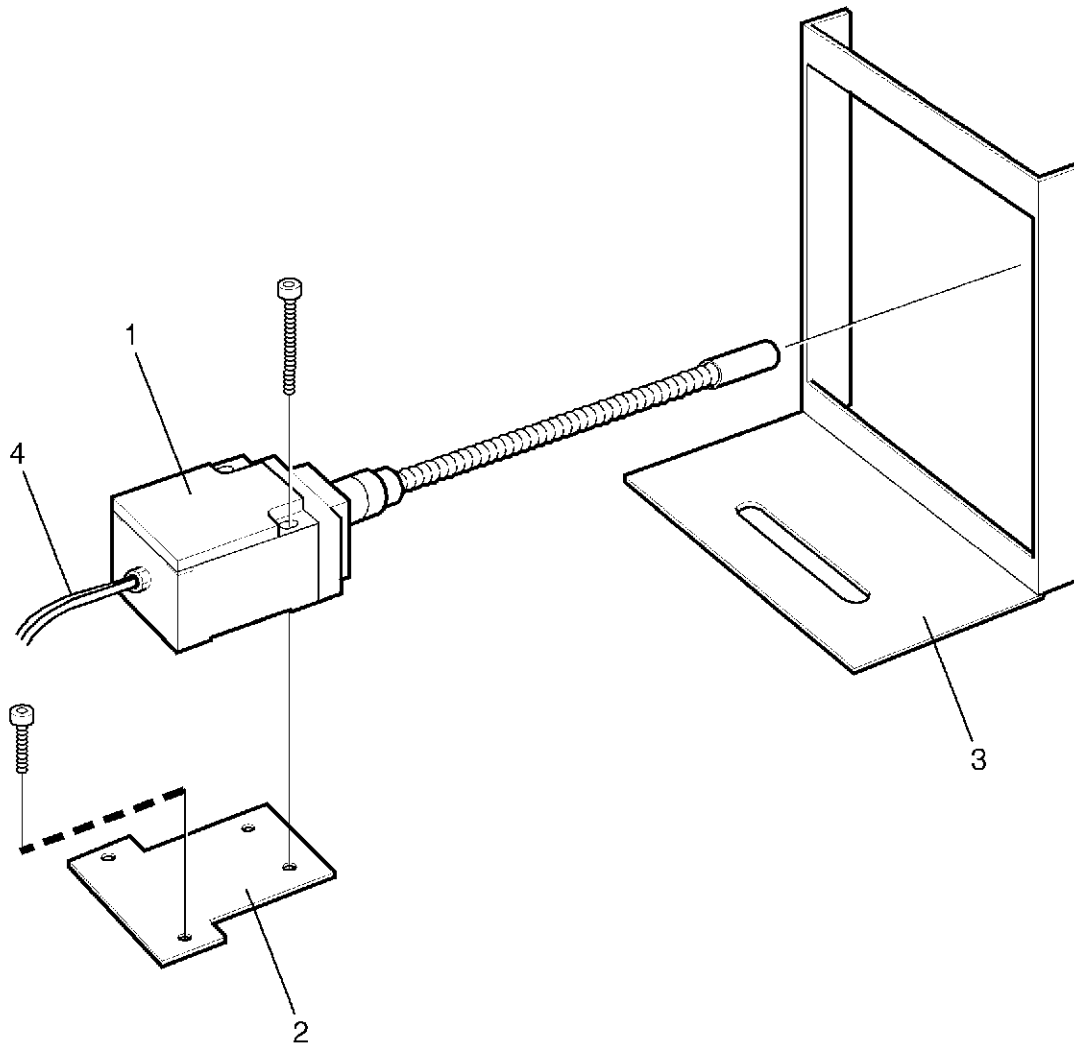
EX640c,EX640s

Spray system

Illustration Issue Month Year
Schéma Issue Month Year
101931/2 2 2 2002

Assemblage articulé et plaque

Item Article	Qua. Qua.	Art.No Réf. article	Description	Description	Info Info	Notes Remarques
1	1	471 9883-02	Nozzle	Tuyère	1	
2	2	740 4209-00	O-ring	Joint torique	1	
3	1	471 9884-01	Muff	Tubulure	3	
4	1	471 8690-33	Connection	Embrayage	3	
5	1	471 8143-01	Tube	Tube	1,2	L=3000
6	1	762 1116-10	Grommet	Oeillet	3	
7	1	471 8688-14	Nipple	Raccord	3	
8	2	471 8636-20	Nipple	Raccord	3	
9	1	438 4125-01	Filter	Filtre	1,2	
10	1	471 8690-28	Angle connector	Raccord d'angle	3	
11	1	471 4672-08	Sign	Signe	3	
12	1	432 2310-01	Mounting plate	Plaque de montage	3	
13	2	471 8342-11	Screw	Vis	3	MRT-TT 4X6



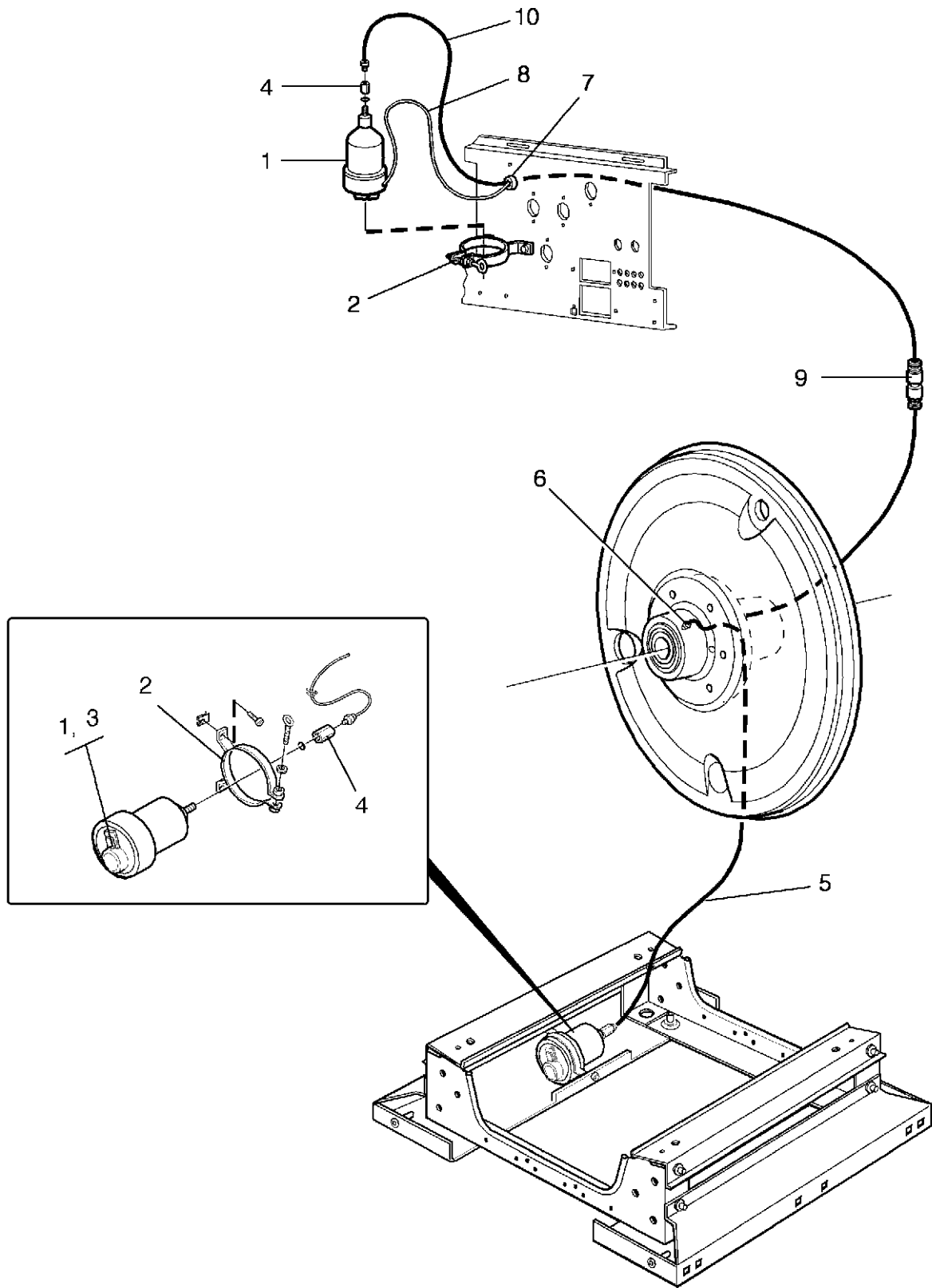
EX640c,EX640s

Out of balance switch

Commutateur asymétrique

Illustration	Issue	Month	Year
Schéma	Issue	Month	Year
101922/1	1	11	2000

Item Article	Qua. Qua.	Art.No Réf. article	Description	Description	Info Info	Notes Remarques
1	1	471 9608-01	Out of balance switch	Commutateur asymétrique	1,2	
2	1	432 2183-01	Mounting plate	Plaque de montage	3	
3	1	432 2184-01	Frame	Châssis	3	
4	1	432 2987-01	Cable set	Jeu de câbles	3	



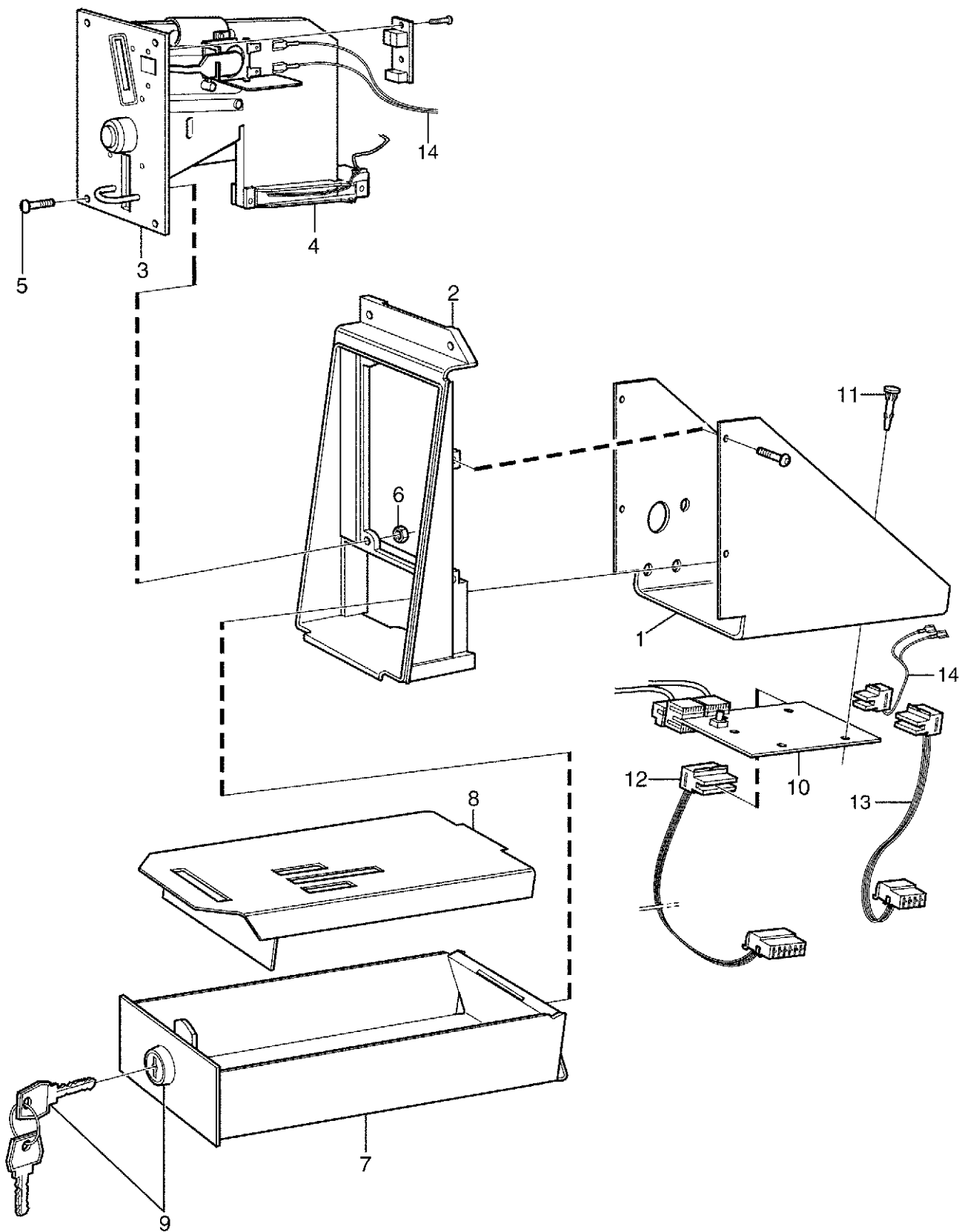
EX640c,EX640s

Lubrication

Lubrification

Illustration Issue Month Year
Schéma Issue Month Year
101914/2 2 1 2002

Item Article	Qua. Qua.	Art.No Réf. article	Description	Description	Info Info	Notes Remarques
1	1	471 8276-02	Pump	Pompe	1,2	Complete
2	1	471 8276-12	Bracket	Pièce de retenue	3	
3	1	471 8276-13	Cable	Câble	3	
4	1	471 8690-72	Nipple	Raccord	3	Complete
5	1	471 8139-17	Hose	Flexible	1	L=1170
6	1	471 8690-73	Angle connector	Raccord d'angle	3	
7	1	471 8164-00	Grommet	Oeillet	3	D7
8	1	471 8276-14	Cable	Câble	3	
9	1	471 8690-52	Nipple	Raccord	3	
10	1	471 8139-07	Hose	Flexible	1	L=550



Issue	Month	Year
01	10	01

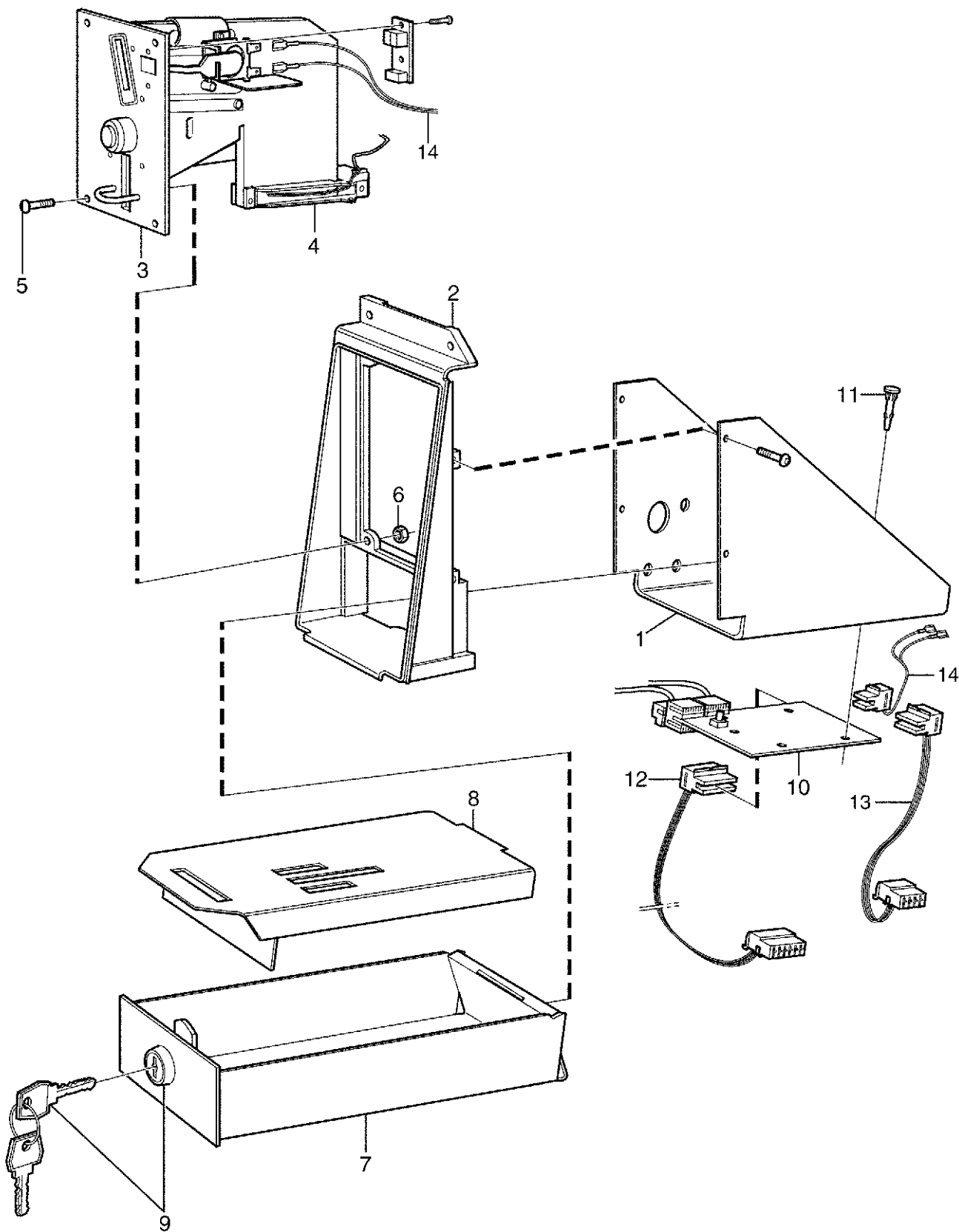
EX640c,EX640s

Coin meter with slot locking device

Coin meter with slot locking device

Illustration Issue Month Year
Schéma Issue Month Year
101983/1 2 10 2003

Item Article	Qua. Qua.	Art.No Réf. article	Description	Description	Info Info	Notes Remarques
1	1	432 2185-01	Bracket	Pupitre	3	
2	1	472 9913-21	Frame	Châssis	3	
3	1	438 8916-01	Coin meter	Monnayeur	3	1 Coin, 1 SEK
	1	438 8916-02	Coin meter	Monnayeur	3	TOKEN Ø23.5x1.7
	1	438 8916-03	Coin meter	Monnayeur	3	TOKEN Ø24,3X1,5
	1	438 8916-04	Coin meter	Monnayeur	3	2 Coins, 10+50 new pence GB
	1	438 8916-05	Coin meter	Monnayeur	3	2 Coins, 5+1 DKR
	1	438 8916-06	Coin meter	Monnayeur	3	TOKEN Ø23.7x1.6
	1	438 8916-08	Coin meter	Monnayeur	3	2 Coins, 0.2+0.5 GBP
	1	438 8916-09	Coin meter	Monnayeur	3	TOKEN Ø25.0x2.0
	1	438 8916-10	Coin meter	Monnayeur	3	1 Coin, 50 new cent Singapore
	1	438 8916-11	Coin meter	Monnayeur	3	2 Coins, 1+5 DKR
	1	438 8916-12	Coin meter	Monnayeur	3	TOKEN Ø22.5x1.5
	1	438 8916-13	Coin meter	Monnayeur	3	TOKEN Ø27.0x1.6
	1	438 8916-14	Coin meter	Monnayeur	3	TOKEN Ø22,0X1,5
	1	438 8916-16	Coin meter	Monnayeur	3	TOKEN Ø19,0X1,0
	1	438 8916-17	Coin meter	Monnayeur	3	TOKEN Ø22.35x1.6
	1	438 8916-18	Coin meter	Monnayeur	3	1 Coin, 10 TWD
	1	438 8916-19	Coin meter	Monnayeur	3	2 Coins, 0,2 + 1 GBP
	1	438 8916-20	Coin meter	Monnayeur	3	2 Coins, 1+5 NKR
	1	438 8916-21	Coin meter	Monnayeur	3	1 Coin, 5 SEK
	1	438 8916-22	Coin meter	Monnayeur	3	2 Coins, 1+10 DKR
	1	438 8916-23	Coin meter	Monnayeur	3	TOKEN Ø25.0x1.8
	1	438 8916-24	Coin meter	Monnayeur	3	TOKEN Ø25.8x1.7
	1	438 8916-25	Coin meter	Monnayeur	3	TOKEN Ø26.0x2.1
	1	438 8916-26	Coin meter	Monnayeur	3	1 Coin, 100 YEN
	1	438 8916-27	Coin meter	Monnayeur	3	2 Coins, 100+500 YEN
	1	438 8916-29	Coin meter	Monnayeur	3	1 Coin, 20 pence GB
	1	438 8916-30	Coin meter	Monnayeur	3	1 Coin, 25 cent USA
	1	438 8916-31	Coin meter	Monnayeur	3	1 Coin, 1 HKD
	1	438 8916-34	Coin meter	Monnayeur	3	2 Coins, 10+50 pence GB
	1	438 8916-35	Coin meter	Monnayeur	3	2 Coins, 1+10 NKR
	1	438 8916-36	Coin meter	Monnayeur	3	1 Coin, 500 KRW
	1	438 8916-37	Coin meter	Monnayeur	3	2 Coins, 0,2+1 AUD
	1	438 8916-38	Coin meter	Monnayeur	3	2 Coins, 1+5 DKR
	1	438 8916-39	Coin meter	Monnayeur	3	2 Coins, 1+10 DKR
	1	438 8916-40	Coin meter	Monnayeur	3	2 Coins, 2+5 DKR
	1	438 8916-41	Coin meter	Monnayeur	3	2 Coins, 2+10 DKR
	1	438 8916-42	Coin meter	Monnayeur	3	1 Coin, 50 cent Malaysia
	1	438 8916-44	Coin meter	Monnayeur	3	2 Coins, 0,5+1 GBP
	1	438 8916-45	Coin meter	Monnayeur	3	1 Coin, 1 GBP
	1	438 8916-47	Coin meter	Monnayeur	3	TOKEN Ø19.0x1.5
	1	438 8916-48	Coin meter	Monnayeur	3	2 Coins, 10+50 TWD
	1	438 8916-49	Coin meter	Monnayeur	3	1 Coin, 20 Korung CZ
	1	438 8916-50	Coin meter	Monnayeur	3	1 Coin, 5 DM
	1	438 8916-51	Coin meter	Monnayeur	3	2 Coins, 1+5 ILS
	1	438 8916-52	Coin meter	Monnayeur	3	Token Ø28.1x1.65
	1	438 8916-53	Coin meter	Monnayeur	3	2 Coins, 1+10 NKR
	1	438 8916-55	Coin meter	Monnayeur	3	2 Coins, 2+5 ZAR
	1	438 8916-56	Coin meter	Monnayeur	3	2 Coins 0,5+1 MYR
	1	438 8916-57	Coin meter	Monnayeur	3	1 Coin, 1 SGD
	1	438 8916-58	Coin meter	Monnayeur	3	2 Coins, 2+5 ZAR
	1	438 8916-59	Coin meter	Monnayeur	3	2 Coins, 1+2 AUD
	1	438 8916-60	Coin meter	Monnayeur	3	2 Coins, 5+1 HKD
	1	438 8916-63	Coin meter	Monnayeur	3	TOKEN Ø24,3x1,5
	1	438 8916-64	Coin meter	Monnayeur	3	Token Ø20.0x2.0
	1	438 8916-65	Coin meter	Monnayeur	3	1 Coins, 1 HKD
	1	438 8916-66	Coin meter	Monnayeur	3	2 Coins, 1+0.25 USD
	1	438 8916-67	Coin meter	Monnayeur	3	2 Coins, 0.1+0.5 Euro



Issue	Month	Year
01	10	01

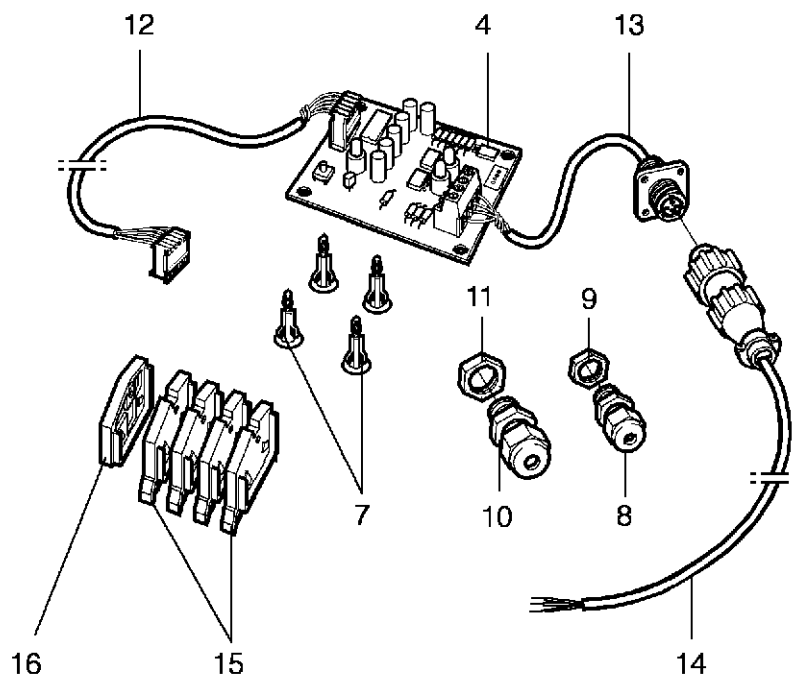
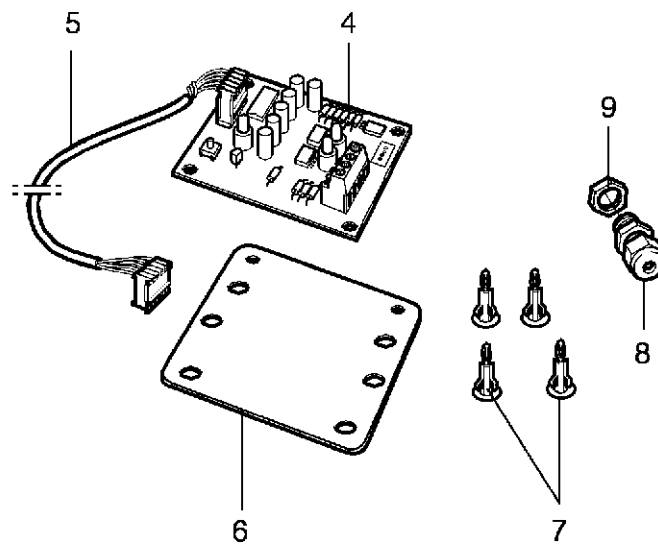
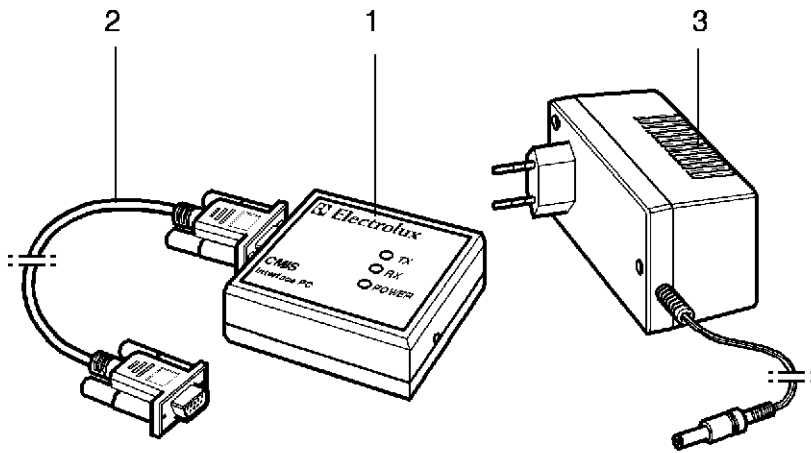
EX640c,EX640s

Coin meter with slot locking device

Coin meter with slot locking device

Illustration Issue Month Year
Schéma Issue Month Year
101983/1 2 10 2003

Item Article	Qua. Qua.	Art.No Réf. article	Description	Description	Info Info	Notes Remarques
	1	438 8916-68	Coin meter	Monnayeur	3	2 Coins, 0.2+2 Euro
	1	438 8916-69	Coin meter	Monnayeur	3	1 Coin, 1 EUcent
	1	438 8916-70	Coin meter	Monnayeur	3	1 Coins, 20 EUcent
	1	438 8916-71	Coin meter	Monnayeur	3	1 Coins, 50 EUcent
	1	438 8916-72	Coin meter	Monnayeur	3	1 Coin, 1 Euro
	1	438 8916-73	Coin meter	Monnayeur	3	1 Coin, 2 Euro
	1	438 8919-01	Coin meter	Monnayeur	3	2 Coins. JPY 100+500
*	1	438 8919-02	Coin meter	Monnayeur	3	2 Coins, JPY 100+news 500
*	1	438 8916-74	Coin meter	Monnayeur	3	2 Coins, 0.5+1 Euro
*	1	438 8916-75	Coin meter	Monnayeur	3	1 Coin, CYP 0.5
*	1	438 8916-76	Coin meter	Monnayeur	3	Token 32x2
*	1	438 8916-77	Coin meter	Monnayeur	3	2 Coins, 0.2+1 Euro
*	1	438 8916-78	Coin meter	Monnayeur	3	1 Coin, 1MYR
* 4	1	438 8910-91	•Sensor	•Décteur	1,2	
5	4	471 8910-90	Screw	Vis	3	
6	4	731 2312-01	Nut	Écrou	3	M4
7	1		Coin box	Boîtier à jetons		Complete Included in pos 2
8	1		•Coin box	•Boîtier à jetons		
9	1	432 2204-01	•Cover	•Couvercle	3	
10	1	471 7829-04	•Lock	•Serrure	1,2	
11	1	438 8790-01	Printed circuit board	Circuit imprimé	1,2	
12	4	471 7958-02	Support	Support	3	
13	1	432 3086-15	Cable set	Jeu de câbles	3	X21-X121
14	1	432 3084-01	Cable set	Jeu de câbles	3	
15	1	432 3082-71	Cable set	Jeu de câbles		X232



Issue	Month	Year
01	10	02

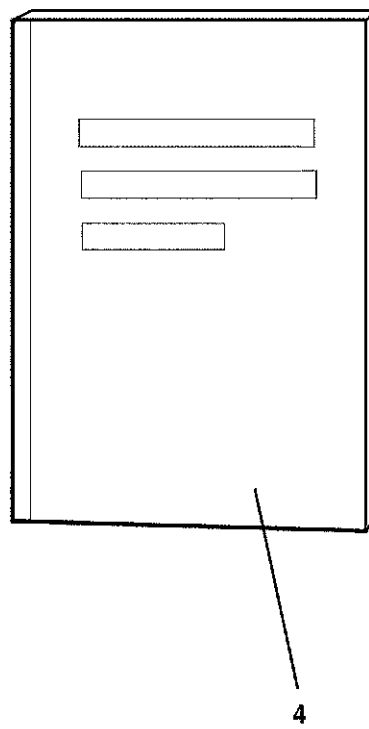
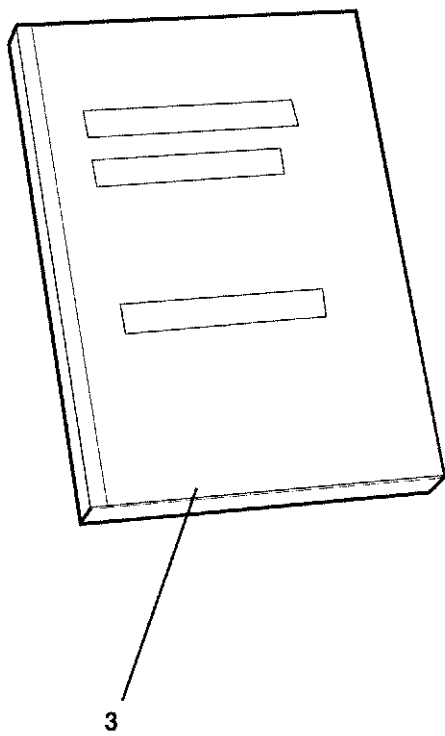
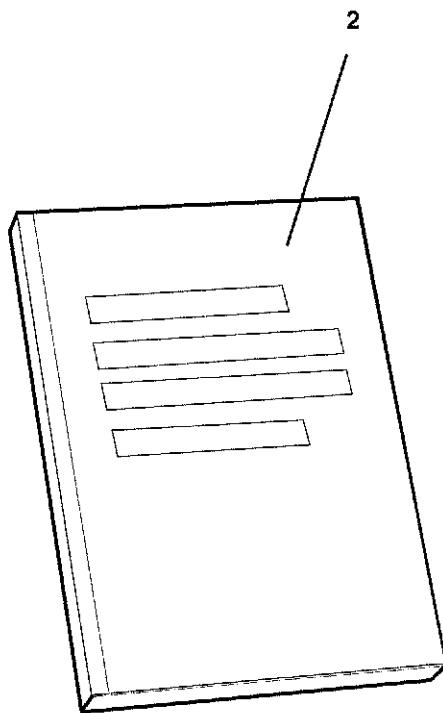
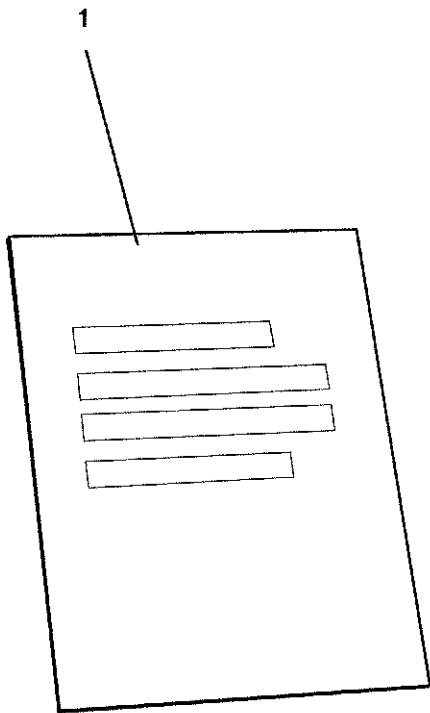
EX640c,EX640s

CMIS

CMIS

Illustration Issue Month Year
Schéma Issue Month Year
102107/1 1 12 2001

Item Article	Qua. Qua.	Art.No Réf. article	Description	Description	Info Info	Notes Remarques
1	1	438 8796-01	Interface PC	Interface PC	1	Complete
2	1	438 8793-01	Cable	Câble	3	Complete
3	1	471 9680-01	Battery eliminator	Battery eliminator	3	24V
4	1	438 8791-01	CMIS Interface	CMIS Interface	1	
5	1	432 2933-03	Cable set	Jeu de câbles	3	
6	1	471 4601-01	Bracket	Pupitre	3	
7	4	471 7958-02	Support	Support	3	
8	1	471 8780-01	Screw fitting	Vis de raccord	3	15,2
9	1	471 8780-31	Nut	Écrou	3	15
10	1	471 8780-02	Screw fitting	Vis de raccord	3	18,2
11	1	471 8780-32	Nut	Écrou	3	18
12	1	432 2933-02	Cable set	Jeu de câbles	3	
13	1	438 7300-87	Cable set	Jeu de câbles	3	
14	1	438 7300-88	Cable set	Jeu de câbles	3	
15	4	471 8781-02	Block	Cale	3	Orange
16	1	471 8781-11	Block	Cale	3	



EX640c,EX640s

Technical documentation

Documentation technique

Illustration Issue Month Year
Schéma Issue Month Year
101969/1 1 5 1

Item Article	Qua. Qua.	Art.No Réf. article	Description	Description	Info Info	Notes Remarques
1	1	438 9200-00	Installation instructions	Instructions installation	1	Exacta/Clarus Swedish
	1	438 9200-01	Installation instructions	Instructions installation	1	Exacta/Clarus English
	1	438 9200-02	Installation instructions	Instructions installation	1	Exacta/Clarus German
	1	438 9200-03	Installation instructions	Instructions installation	1	Exacta/Clarus French
	1	438 9200-04	Installation instructions	Instructions installation	1	Exacta/Clarus Spanish
	1	438 9200-05	Installation instructions	Instructions installation	1	Exacta/Clarus Danish
	1	438 9200-06	Installation instructions	Instructions installation	1	Exacta/Clarus Finnish
	1	438 9200-07	Installation instructions	Instructions installation	1	Exacta/Clarus Norwegian
	1	438 9200-08	Installation instructions	Instructions installation	1	Exacta/Clarus Dutch
	1	438 9200-09	Installation instructions	Instructions installation	1	Exacta/Clarus Italian
	1	438 9200-10	Installation instructions	Instructions installation	1	Exacta/Clarus Portuguese
2	1	438 9200-11	Installation instructions	Instructions installation	1	Exacta/Clarus Japanese
	1	438 9200-50	User instructions	Instruction de fonctionnement	1	Exacta Swedish
	1	438 9200-51	User instructions	Instruction de fonctionnement	1	Exacta English
	1	438 9200-52	User instructions	Instruction de fonctionnement	1	Exacta German
	1	438 9200-53	User instructions	Instruction de fonctionnement	1	Exacta French
	1	438 9200-54	User instructions	Instruction de fonctionnement	1	Exacta Spanish
	1	438 9200-55	User instructions	Instruction de fonctionnement	1	Exacta Danish
	1	438 9200-56	User instructions	Instruction de fonctionnement	1	Exacta Finnish
	1	438 9200-57	User instructions	Instruction de fonctionnement	1	Exacta Norwegian
	1	438 9200-58	User instructions	Instruction de fonctionnement	1	Exacta Dutch
	1	438 9200-59	User instructions	Instruction de fonctionnement	1	Exacta Italian
	1	438 9200-60	User instructions	Instruction de fonctionnement	1	Exacta Portuguese
	1	438 9200-61	User instructions	Instruction de fonctionnement	1	Exacta Japanese
	1	438 9201-00	User instructions	Instruction de fonctionnement	1	Clarus Swedish
	1	438 9201-01	User instructions	Instruction de fonctionnement	1	Clarus English
	1	438 9201-02	User instructions	Instruction de fonctionnement	1	Clarus German
	1	438 9201-03	User instructions	Instruction de fonctionnement	1	Clarus French
	1	438 9201-04	User instructions	Instruction de fonctionnement	1	Clarus Spanish
	1	438 9201-05	User instructions	Instruction de fonctionnement	1	Clarus Danish
	1	438 9201-06	User instructions	Instruction de fonctionnement	1	Clarus Finnish
	1	438 9201-07	User instructions	Instruction de fonctionnement	1	Clarus Norwegian
1	438 9201-08	User instructions	Instruction de fonctionnement	1	Clarus Dutch	
1	438 9201-09	User instructions	Instruction de fonctionnement	1	Clarus Italian	
1	438 9201-11	User instructions	Instruction de fonctionnement	1	Clarus Japanese	
3	1	438 9201-50	Service manual	Manuel d'entretien	1	Clarus Swedish
	1	438 9201-51	Service manual	Manuel d'entretien	1	Clarus English
	1	438 9201-52	Service manual	Manuel d'entretien	1	Clarus German
	1	438 9201-53	Service manual	Manuel d'entretien	1	Clarus French
	1	438 9201-54	Service manual	Manuel d'entretien	1	Clarus Spanish
	1	438 9201-59	Service manual	Manuel d'entretien	1	Clarus Italian
	1	438 9201-61	Service manual	Manuel d'entretien	1	Clarus Japanese
	1	438 9201-80	Service manual	Manuel d'entretien	1	Exacta Swedish
	1	438 9201-81	Service manual	Manuel d'entretien	1	Exacta English
	1	438 9201-82	Service manual	Manuel d'entretien	1	Exacta German
	1	438 9201-83	Service manual	Manuel d'entretien	1	Exacta French
4	1	438 9201-84	Service manual	Manuel d'entretien	1	Exacta Spanish
	1	438 9201-89	Service manual	Manuel d'entretien	1	Exacta Italian
	1	438 9201-91	Service manual	Manuel d'entretien	1	Exacta Japanese
	1	438 9050-50	Programming	Programmation	1	Clarus Swedish
	1	438 9050-51	Programming	Programmation	1	Clarus English
	1	438 9050-52	Programming	Programmation	1	Clarus German
	1	438 9050-53	Programming	Programmation	1	Clarus French
	1	438 9050-54	Programming	Programmation	1	Clarus Spanish
1	438 9050-55	Programming	Programmation	1	Clarus Danish	
1	438 9050-56	Programming	Programmation	1	Clarus Finnish	
1	438 9050-57	Programming	Programmation	1	Clarus Norwegian	
1	438 9050-58	Programming	Programmation	1	Clarus Dutch	
1	438 9050-59	Programming	Programmation	1	Clarus Italian	

Numerical index/Numerical index

Art.No/Réf. article	Page/Page	Art.No/Réf. article	Page/Page	Art.No/Réf. article	Page/Page	Art.No/Réf. article	Page/Page
432 0149-01	37	432 2067-01	9	432 2630-01	31	432 2650-51	21
432 0150-01	37	432 2083-01	9	432 2630-02	31	432 2650-52	21
432 1229-01	17	432 2083-02	9	432 2630-03	31	432 2650-53	21
432 1336-01	7	432 2106-01	9	432 2630-04	31	432 2650-54	21
432 1356-01	7	432 2121-03	9	432 2630-06	31	432 2650-55	21
432 1357-01	7	432 2131-02	9	432 2630-09	31	432 2650-56	21
432 1360-01	7	432 2135-02	9	432 2630-10	31	432 2650-57	21
432 1361-01	7	432 2137-01	9	432 2649-03	19	432 2650-58	21
432 1362-01	7	432 2150-01	25	432 2649-04	19	432 2650-59	21
432 1420-01	7	432 2151-01	27	432 2649-05	19	432 2650-60	21
432 1421-01	7	432 2152-01	27	432 2649-06	19	432 2650-61	21
432 1453-01	7	432 2153-01	27	432 2649-07	19	432 2650-62	21
432 1454-01	17	432 2154-01	43	432 2649-20	19	432 2650-63	21
432 1455-01	17	432 2155-01	9	432 2649-21	19	432 2650-64	21
432 1458-01	7	432 2156-01	43	432 2649-22	19	432 2650-65	21
432 1470-01	7	432 2156-02	43	432 2649-23	19	432 2650-66	21
432 1473-01	17	432 2159-01	33	432 2649-24	19	432 2650-67	21
432 1503-01	11	432 2160-01	33	432 2649-25	19	432 2650-68	21
432 1503-03	11	432 2161-01	37	432 2649-26	19	432 2650-69	21
432 1543-01	11	432 2162-02	37	432 2649-27	19	432 2650-70	21
432 1548-01	11	432 2163-13	9	432 2649-28	19	432 2650-71	21
432 1553-01	11	432 2163-15	9	432 2650-02	19	432 2650-72	21
432 1563-01*	11	432 2167-01	29	432 2650-03	19	432 2650-73	21
432 1568-01	11	432 2179-01	9	432 2650-04	19	432 2650-74	21
432 1573-01	11	432 2181-01	25	432 2650-05	19	432 2650-75	21
432 1573-02	11	432 2183-01	63	432 2650-06	19	432 2650-76	21
432 1573-03	11	432 2184-01	63	432 2650-07	19	432 2650-77	21
432 1608-01	11	432 2185-01	67	432 2650-08	19	432 2650-78	21
432 1608-03	11	432 2201-27	9	432 2650-09	19	432 2650-79	21
432 1608-04	11	432 2204-01	69	432 2650-10	19	432 2650-80	23
432 1608-05*	11	432 2301-01	45	432 2650-11	19	432 2650-81	23
432 1631-01	57	432 2306-01	45	432 2650-12	19	432 2650-82	23
432 1649-01	7	432 2308-01	45	432 2650-13	19	432 2650-83	23
432 1651-01	7	432 2310-01	61	432 2650-14	19	432 2650-84	23
432 1653-01	7	432 2401-01	59	432 2650-16	19	432 2650-85	23
432 1654-01	7	432 2404-01	59	432 2650-17	19	432 2650-86	23
432 1673-01	57	432 2405-01	59	432 2650-18	19	432 2650-87	23
432 1828-01	13	432 2406-01	59	432 2650-19	19	432 2650-88	23
432 1843-01	13	432 2407-01	59	432 2650-20	19	432 2650-89	23
432 1858-01	13	432 2409-01	59	432 2650-23	19	432 2650-90	23
432 1858-02	13	432 2501-01	51	432 2650-25	19	432 2650-91	23
432 1873-01	13	432 2502-01	51	432 2650-26	19	432 2650-92	23
432 1890-01	13	432 2502-01	53	432 2650-27	19	432 2650-93	23
432 1950-01	13	432 2505-01	51	432 2650-28	19	432 2650-94	23
432 1951-01	13	432 2506-01	53	432 2650-29	19	432 2650-95	23
432 1955-01	13	432 2507-01	53	432 2650-30	19	432 2650-96	23
432 1956-01	13	432 2508-02	53	432 2650-31	21	432 2650-97	23
432 1960-01	15	432 2511-01	53	432 2650-32	21	432 2650-98	23
432 1962-01	13	432 2516-02*	53	432 2650-33	21	432 2652-05	23
432 2003-01	9	432 2516-05	55	432 2650-34	21	432 2652-07	23
432 2018-01	19	432 2518-03	55	432 2650-35	21	432 2652-08	23
432 2026-01	31	432 2521-03*	53	432 2650-36	21	432 2652-09	23
432 2034-01	9	432 2531-01	55	432 2650-37	21	432 2652-10	23
432 2034-10	9	432 2534-01	55	432 2650-38	21	432 2652-11	23
432 2035-01	9	432 2537-01	55	432 2650-39	21	432 2652-12	23
432 2035-02	9	432 2548-01	55	432 2650-40	21	432 2652-13	23
432 2035-03	9	432 2606-01	25	432 2650-41	21	432 2652-14	23
432 2035-04	9	432 2606-01	31	432 2650-42	21	432 2652-15	23
432 2035-10	9	432 2606-11	31	432 2650-43	21	432 2652-16	23
432 2035-11	9	432 2606-40	25	432 2650-44	21	432 2652-17	23
432 2038-01	9	432 2606-40	31	432 2650-45	21	432 2652-18	23
432 2038-02	9	432 2606-51*	25	432 2650-46	21	432 2652-19	23
432 2038-10	9	432 2620-01	13	432 2650-47	21	432 2652-20	23
432 2051-01	9	432 2620-02	13	432 2650-48	21	432 2652-21	23
432 2051-02	9	432 2620-07	13	432 2650-49	21	432 2652-22	23
432 2066-01	9	432 2620-08	13	432 2650-50	21	432 2652-23	23

Numerical index/Numerical index

Art.No/Réf. article	Page/Page	Art.No/Réf. article	Page/Page	Art.No/Réf. article	Page/Page	Art.No/Réf. article	Page/Page
432 2652-24	23	432 3082-19	29	432 3182-43	53	438 7165-15	35
432 2652-25	23	432 3082-21	37	432 3182-45	47	438 7165-16	35
432 2652-26	23	432 3082-25	43	432 3182-45	49	438 7165-17	35
432 2652-27	23	432 3082-26	29	432 3182-46	47	438 7165-18	35
432 2652-28	23	432 3082-27	27	432 3182-46	49	438 7165-19	35
432 2652-29	23	432 3082-41	37	432 3182-52	43	438 7165-20	35
432 2652-30	23	432 3082-42	29	432 3182-61	31	438 7165-21	35
432 2652-31	23	432 3082-43	37	432 3182-72	31	438 7165-22	35
432 2652-32	23	432 3082-47	29	432 3182-78	31	438 7165-23	35
432 2652-33	23	432 3082-48	27	432 3182-93	27	438 7165-24	35
432 2652-34	23	432 3082-48	37	432 3182-93	37	438 7165-25	35
432 2652-35	23	432 3082-49	27	432 3182-94	29	438 7165-26	35
432 2652-36	23	432 3082-49	37	432 3184-03	29	438 7165-27	35
432 2652-37	25	432 3082-50	37	432 3901-01	17	438 7165-28	35
432 2652-38	25	432 3082-51	29	432 3905-01	17	438 7165-29	35
432 2652-39	25	432 3082-56	37	432 3907-01	29	438 7165-30	35
432 2652-40	25	432 3082-57	27	432 3908-01	29	438 7165-31	35
432 2652-41	25	432 3082-58	29	432 3909-01	29	438 7165-32	35
432 2720-01	19	432 3082-59	37	432 3910-01	29	438 7165-33	35
432 2720-02	19	432 3082-70	17	432 4312-01	13	438 7165-34	35
432 2720-03	19	432 3082-71	69	432 4312-02	13	438 7165-35	35
432 2720-04	19	432 3082-77	7	438 0051-01	51	438 7165-36	37
432 2720-05	19	432 3082-77	27	438 0052-01	51	438 7165-37	37
432 2720-06	19	432 3082-77	37	438 0053-01	51	438 7165-38	37
432 2720-08	19	432 3082-78	29	438 0054-01	51	438 7165-39	37
432 2720-09	19	432 3082-82	27	438 0055-01	51	438 7165-40	37
432 2720-10	19	432 3082-84	27	438 0056-03	45	438 7165-43	33
432 2720-11	19	432 3082-86	43	438 0056-04	45	438 7165-44	33
432 2720-12	19	432 3082-89	29	438 0299-01	37	438 7300-87	71
432 2720-13	19	432 3082-90*	37	438 4062-01	13	438 7300-88	71
432 2720-17	19	432 3082-99	27	438 4125-01	61	438 7950-01	43
432 2720-18	19	432 3083-20	29	438 5335-01	9	438 7950-02	43
432 2750-01	31	432 3083-30	37	438 7134-01	33	438 8102-06	53
432 2844-01	9	432 3083-32	37	438 7134-02	33	438 8103-01	59
432 2903-02	55	432 3083-36	17	438 7134-03	33	438 8155-04	11
432 2905-02	15	432 3083-75	37	438 7134-04	33	438 8156-01	7
432 2933-02	71	432 3084-01	69	438 7134-05	33	438 8158-02	17
432 2933-03	71	432 3084-16	37	438 7134-06	33	438 8785-01	43
432 2945-01	43	432 3084-25	39	438 7134-07	33	438 8786-02	43
432 2951-03	7	432 3084-40	27	438 7134-08	33	438 8787-01	43
432 2952-02	7	432 3084-40	37	438 7134-09	35	438 8790-01	69
432 2953-02	7	432 3085-04	37	438 7134-10	35	438 8791-01	71
432 2954-01	43	432 3085-15	37	438 7134-11	35	438 8793-01	71
432 2954-03	43	432 3085-25	37	438 7134-12	35	438 8796-01	71
432 2954-11	43	432 3085-27	37	438 7134-13	35	438 8797-01	43
432 2954-13	43	432 3086-10	29	438 7134-14	35	438 8910-91*	69
432 2958-01	57	432 3086-15	27	438 7134-15	33	438 8916-01	67
432 2960-01	41	432 3086-15	69	438 7134-16	33	438 8916-02	67
432 2960-03	43	432 3086-91	27	438 7134-17	33	438 8916-03	67
432 2960-04	41	432 3086-92*	37	438 7134-18	33	438 8916-04	67
432 2976-01	43	432 3086-93	29	438 7134-19	35	438 8916-05	67
432 2977-01	7	432 3087-04	27	438 7134-20	33	438 8916-06	67
432 2981-01	37	432 3087-05	29	438 7165-01	33	438 8916-08	67
432 2982-02	17	432 3087-20	37	438 7165-02	33	438 8916-09	67
432 2982-10	55	432 3087-30	27	438 7165-03	33	438 8916-10	67
432 2983-02	17	432 3087-31	29	438 7165-04	33	438 8916-11	67
432 2984-01	43	432 3087-92	37	438 7165-05	33	438 8916-12	67
432 2985-01	7	432 3088-30	27	438 7165-06	33	438 8916-13	67
432 2986-01	43	432 3088-31	29	438 7165-07	33	438 8916-14	67
432 2987-01	63	432 3088-32	37	438 7165-08	33	438 8916-16	67
432 2991-01	17	432 3088-51	47	438 7165-09	33	438 8916-17	67
432 3082-15	37	432 3088-51	49	438 7165-10	33	438 8916-18	67
432 3082-16	37	432 3182-02	37	438 7165-11	33	438 8916-19	67
432 3082-17	37	432 3182-20	27	438 7165-12	33	438 8916-20	67
432 3082-18	27	432 3182-20	29	438 7165-13	33	438 8916-21	67
432 3082-18	37	432 3182-21	27	438 7165-14	35	438 8916-22	67

Numerical index/Numerical index

Art.No/Réf. article	Page/Page	Art.No/Réf. article	Page/Page	Art.No/Réf. article	Page/Page	Art.No/Réf. article	Page/Page
438 8916-23	67	438 9200-06	73	471 2937-01	57	471 8276-02	65
438 8916-24	67	438 9200-07	73	471 4601-01	71	471 8276-12	65
438 8916-25	67	438 9200-08	73	471 4672-08	61	471 8276-13	65
438 8916-26	67	438 9200-09	73	471 4792-01	45	471 8276-14	65
438 8916-27	67	438 9200-10	73	471 4835-01	53	471 8279-03	57
438 8916-29	67	438 9200-11	73	471 6860-15	47	471 8279-08	57
438 8916-30	67	438 9200-50	73	471 6860-16	47	471 8322-03	17
438 8916-31	67	438 9200-51	73	471 6860-17	47	471 8323-01	11
438 8916-34	67	438 9200-52	73	471 6860-18	47	471 8328-02	11
438 8916-35	67	438 9200-53	73	471 6860-18	49	471 8328-05	7
438 8916-36	67	438 9200-54	73	471 6860-19	47	471 8328-08	7
438 8916-37	67	438 9200-55	73	471 6860-19	49	471 8328-09	7
438 8916-38	67	438 9200-56	73	471 6860-20	47	471 8342-11	61
438 8916-39	67	438 9200-57	73	471 6860-20	49	471 8342-13	17
438 8916-40	67	438 9200-58	73	471 7565-21	9	471 8342-15	9
438 8916-41	67	438 9200-59	73	471 7705-02	17	471 8342-23	17
438 8916-42	67	438 9200-60	73	471 7801-07	51	471 8342-47	15
438 8916-44	67	438 9200-61	73	471 7807-02	7	471 8344-36	13
438 8916-45	67	438 9201-00	73	471 7826-10	9	471 8356-05	17
438 8916-47	67	438 9201-01	73	471 7826-20	9	471 8404-02	13
438 8916-48	67	438 9201-02	73	471 7829-04	69	471 8404-03*	51
438 8916-49	67	438 9201-03	73	471 7859-12	43	471 8413-01	7
438 8916-50	67	438 9201-04	73	471 7859-16	43	471 8458-02	13
438 8916-51	67	438 9201-05	73	471 7871-04	45	471 8502-10	17
438 8916-52	67	438 9201-06	73	471 7871-04	51	471 8502-14	11
438 8916-53	67	438 9201-07	73	471 7871-07	53	471 8502-34	7
438 8916-55	67	438 9201-08	73	471 7871-07	55	471 8527-01	13
438 8916-56	67	438 9201-09	73	471 7873-02	53	471 8555-03	7
438 8916-57	67	438 9201-11	73	471 7887-01	53	471 8624-01	57
438 8916-58	67	438 9201-50	73	471 7958-02	27	471 8636-20	61
438 8916-59	67	438 9201-51	73	471 7958-02	29	471 8644-02	45
438 8916-60	67	438 9201-52	73	471 7958-02	37	471 8688-13	45
438 8916-63	67	438 9201-53	73	471 7958-02	43	471 8688-13	51
438 8916-64	67	438 9201-54	73	471 7958-02	69	471 8688-14	61
438 8916-65	67	438 9201-59	73	471 7958-02	71	471 8690-28	61
438 8916-66	67	438 9201-61	73	471 7980-01	9	471 8690-33	61
438 8916-67	67	438 9201-80	73	471 8118-07	53	471 8690-52	65
438 8916-68	69	438 9201-81	73	471 8124-04	53	471 8690-72	65
438 8916-69	69	438 9201-82	73	471 8126-27	57	471 8690-73	65
438 8916-70	69	438 9201-83	73	471 8128-61	53	471 8693-21	45
438 8916-71	69	438 9201-84	73	471 8139-01	53	471 8695-01	57
438 8916-72	69	438 9201-89	73	471 8139-07	65	471 8697-01	57
438 8916-73	69	438 9201-91	73	471 8139-16	53	471 8750-11	37
438 8916-74*	69	438 9555-11	27	471 8139-17	65	471 8750-11	43
438 8916-75*	69	438 9555-11	29	471 8143-01	61	471 8759-01	43
438 8916-76*	69	438 9555-11	37	471 8164-00	65	471 8759-51	43
438 8916-77*	69	438 9555-12	27	471 8175-01	45	471 8767-01	43
438 8916-78*	69	438 9555-12	29	471 8192-01	7	471 8768-03	41
438 8919-01	69	438 9555-12	37	471 8195-01	51	471 8780-01	71
438 8919-02*	69	438 9561-01	15	471 8199-01	45	471 8780-02	71
438 9050-50	73	438 9563-01	7	471 8210-70	47	471 8780-31	71
438 9050-51	73	438 9564-01	27	471 8210-71	47	471 8780-32	71
438 9050-52	73	438 9564-01	29	471 8210-78	47	471 8781-02	71
438 9050-53	73	438 9564-01	37	471 8210-79	47	471 8781-11	71
438 9050-54	73	438 9678-11	43	471 8215-01	55	471 8792-01	37
438 9050-55	73	438 9678-13	43	471 8234-52	49	471 8793-01	37
438 9050-56	73	438 9704-01	17	471 8240-63	47	471 8826-01	17
438 9050-57	73	438 9705-61	17	471 8240-69	47	471 8827-01	17
438 9050-58	73	438 9799-01	41	471 8240-69	49	471 8861-01	27
438 9050-59	73	438 9799-02	17	471 8240-90	47	471 8861-01	29
438 9200-00	73	438 9799-02	41	471 8240-91	47	471 8861-01	37
438 9200-01	73	438 9799-03	17	471 8240-91	49	471 8910-90	69
438 9200-02	73	471 2265-69	53	471 8243-04	53	471 8988-10	27
438 9200-03	73	471 2437-15	9	471 8243-05	53	471 8988-11	29
438 9200-04	73	471 2442-42	53	471 8243-07	53	471 8993-01	33
438 9200-05	73	471 2464-18	53	471 8243-08	53	471 8995-01	37

Numerical index/Numerical index

Art.No/Réf. article	Page/Page	Art.No/Réf. article	Page/Page	Art.No/Réf. article	Page/Page	Art.No/Réf. article	Page/Page
471 8995-02	37	762 1182-10	43				
471 8997-02	33	762 1215-10	43				
471 9222-59	11	762 9102-05	45				
471 9529-10	27	877 5211-08	45				
471 9550-54*	7						
471 9550-59*	7						
471 9558-12	27						
471 9558-12	29						
471 9573-02	43						
471 9608-01	63						
471 9628-32	31						
471 9628-33	31						
471 9635-10	43						
471 9635-11	43						
471 9678-94	43						
471 9679-01	15						
471 9680-01	71						
471 9778-01	41						
471 9784-02	41						
471 9822-11	7						
471 9822-12	7						
471 9822-13	7						
471 9822-99	7						
471 9823-31	7						
471 9823-32*	7						
471 9883-02	61						
471 9884-01	61						
472 6761-01	45						
472 9913-01	13						
472 9913-06	7						
472 9913-10	7						
472 9913-11	7						
472 9913-18	11						
472 9913-21	67						
472 9913-22	7						
472 9913-43	27						
472 9913-43	29						
472 9913-43	37						
472 9913-72	15						
725 2366-61	13						
725 2461-51*	7						
725 2464-51	7						
725 2465-71	7						
728 8362-11	13						
731 2312-01	69						
732 2112-01	25						
732 2118-01	7						
732 2118-01	11						
732 2118-01	17						
732 2122-01	17						
735 3144-00	11						
735 9630-01	11						
736 2816-51	45						
736 2825-51	45						
736 2825-51	53						
736 2831-51	53						
736 2837-51	53						
736 2840-51	53						
736 2846-51	45						
736 2846-51	53						
736 2846-51	55						
740 4206-00	45						
740 4209-00	61						
741 5109-25	45						
744 3113-06	57						
762 1116-10	61						

WASCOMAT

461 Doughty Blvd., Inwood, L.I., N.Y. 11096-0338

Telephone: 516-371-4400

Parts and Service FAX: 516-371-4029

Sales and Administration FAX: 516-371-4204