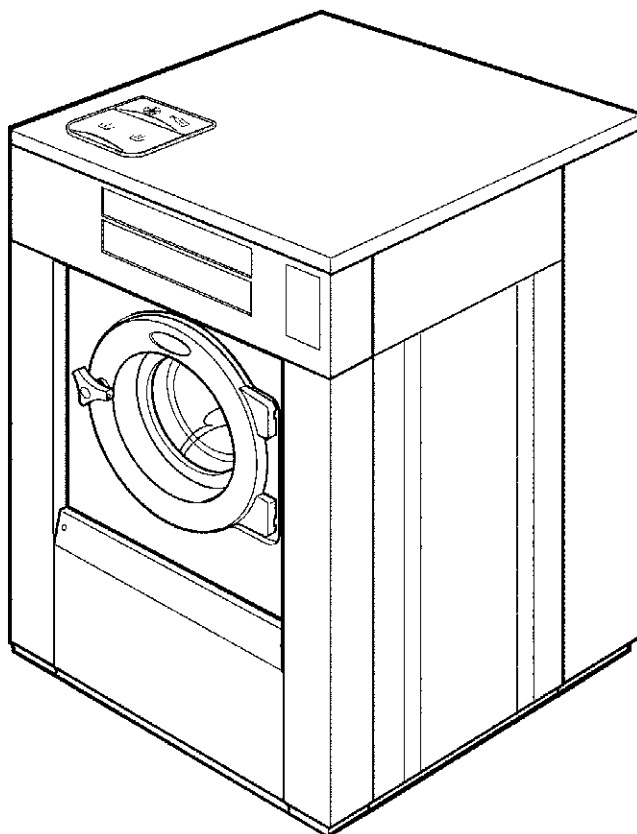


**WASCOMAT**

Spare Parts Catalogue

Catalogue de pièces de rechange

---



EX655c/s

---

Washer extractor

Laveuses essoreuses

---



## List of issues

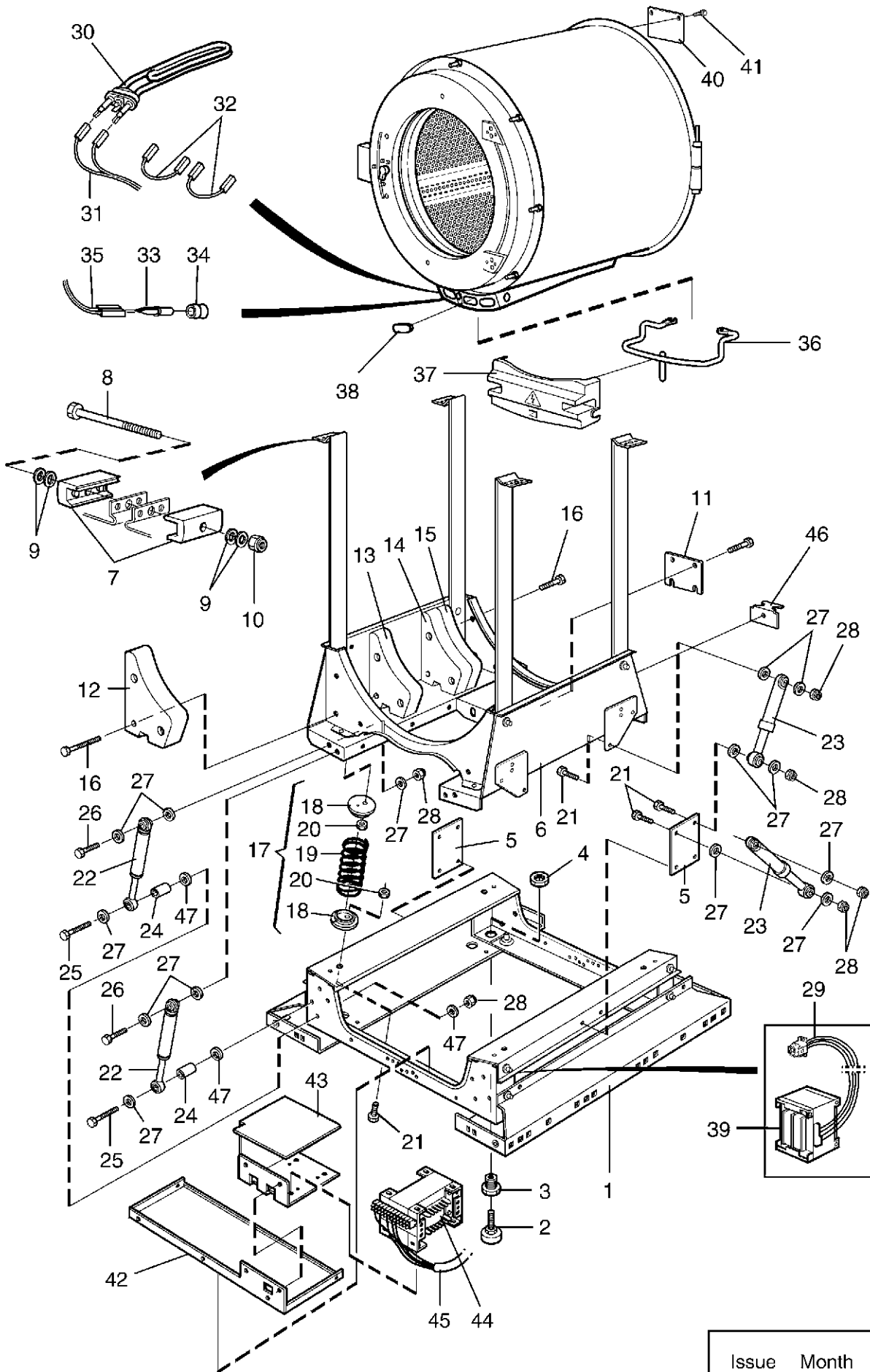
### **EX655c,EX655s,FAS3240H,W3240H**

Illustration	Page	Table of contents
101758	17	Motor
101760	11	Drum, rear gable
101764	27	Electrical components Exacta
101765	33	Electrical components Clarus
101766	41	Motor control
101767	53	Drain valve and hoses
101769	19	Control panel Exacta
101770	31	Control panel Clarus
101771	59	Detergent container
101772	51	Drain valve
101776	15	Door lock
101785	13	Door and hinged joint
101790	45	Water connections
101791	43	Electric components connection
101792	47	Inlet valves and cable set
101914	65	Lubrication
101915	7	Base and outer drum
101918	57	Steam components
101922	63	Out of balance switch
101924	55	Drain valve, electrical
101928	29	Electrical components Exacta
101931	61	Spray system
101960	9	Lining and top panel
101969	73	Technical documentation
101983	67	Coin meter with slot locking device
102107	71	CMIS
102195	49	Inlet valves and cable set



## EX655c,EX655s,FAS3240H,W3240H

Table of contents	Table des matières	Page/Page
Base and outer drum	Base et tambour externe	7
Lining and top panel	Panneau frontal avec pupitre de commande	9
Drum, rear gable	Tambour, pignon arrière	11
Door and hinged joint	Assemblage articulé et plaque	13
Door lock	Serrure de porte	15
Motor	Moteur	17
Control panel Exacta	Pupitre de commande Exacta	19
Electrical components Exacta	Composants électriques Exacta	27
Electrical components Exacta	Composants électriques Exacta	29
Control panel Clarus	Pupitre de commande Clarus	31
Electrical components Clarus	Composants électriques Clarus	33
Motor control	Contrôle du moteur	41
Electric components connection	Composants électriques raccordement électrique	43
Water connections	Raccords d'eau	45
Inlet valves and cable set	Inlet valves and cable set	47
Inlet valves and cable set	Inlet valves and cable set	49
Drain valve	Purgeur	51
Drain valve and hoses	Purgeur et flexible	53
Drain valve, electrical	Drain valve, electrical	55
Steam components	Composants	57
Detergent container	Compartiment à savon	59
Spray system	Assemblage articulé et plaque	61
Out of balance switch	Commutateur asymétrique	63
Lubrication	Lubrification	65
Coin meter with slot locking device	Coin meter with slot locking device	67
CMIS	CMIS	71
Technical documentation	Documentation technique	73



Issue	Month	Year
06	02	04

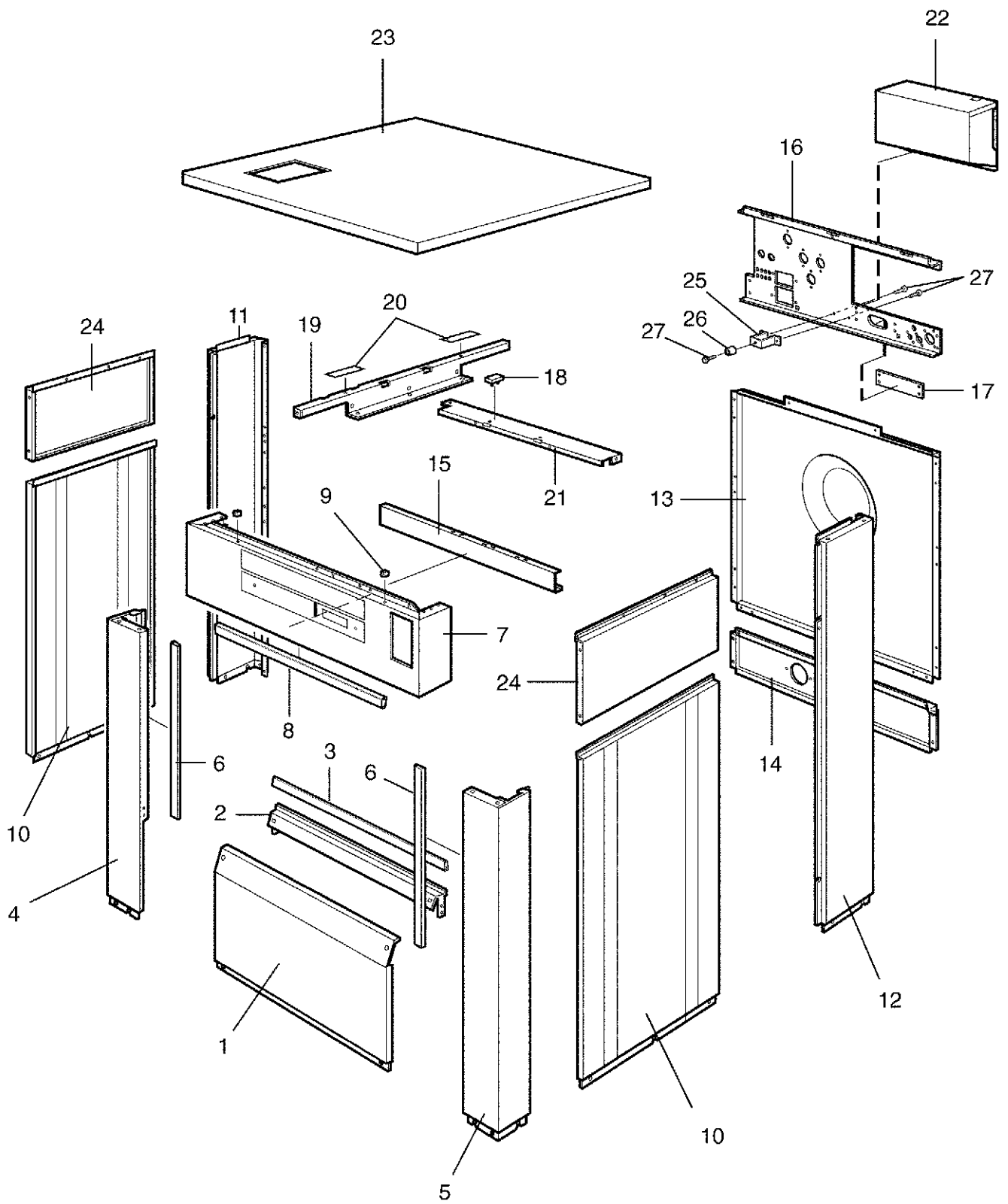
**EX655c,EX655s,FAS3240H,W3240H**

**Base and outer drum**

Illustration Issue Month Year  
Schéma Issue Month Year  
**101915/5 9 2 2004**

**Base et tambour externe**

Item Article	Qua. Qua.	Art.No Réf. article	Description	Description	Info Info	Notes Remarques
1	1	432 1411-01	Frame	Base	3	Lower
2	4	438 8156-01	•Foot	•Pied	3	
3	4	432 1458-01	•Bushing	•Douille	3	
4	4	471 8413-01	•Nut	•Écrou	3	M20
5	2	432 1468-01	•Bracket	•Support de montage	3	Middle
6	1	432 1412-01	Frame	Base	3	Upper
7	4	432 1453-01	•Tensioner	•Crochet	3	
8	2	725 2465-71	•Screw	•Vis	3	M8X70
9	8	471 7807-02	•Tension plate	•Tôle de serrage	3	18x8,4x2
10	2	732 2118-01	•Locking nut	•Contre-écrou	3	M8
11	1	432 1652-01	•Bracket	•Support	3	
12	2	432 1406-01	•Counterweight	•Contrepoids	3	
13	2	432 1406-02	•Counterweight	•Contrepoids	3	
14	2	432 1407-01	•Counterweight	•Contrepoids	3	
15	2	432 1407-02	•Counterweight	•Contrepoids	3	
16	12	471 8328-08	•Screw	•Vis	3	M10X80
17	1	472 9913-07	Suspension	Suspension	1	Kit compl.
18	8		•Spring retainer	•Montage suspension		
19	4		•Spring	•Ressort		
20	8		•Nut	•Écrou		
21	14	471 8328-09	Screw	Vis	3	M10X20
22	1	472 9913-10	Shock absorber	Amortisseur	1	Complete kit 8, pcs
23	1	472 9913-08	Shock absorber	Amortisseur	1	Complete kit, 4 pcs
24	8	471 8555-03	Bushing	Douille	3	
25	8	725 2464-51	Screw	Vis	3	M8X65
26	16	725 2461-51	Screw	Vis	3	M8X50
27	Rq	471 8502-34	Washer	Rondelle	3	8,4x24x2
28	Rq	732 2118-01	Locking nut	Contre-écrou	3	M8
29	1	432 2985-01	Cable set	Jeu de câbles	3	
30	3	471 9822-21	Heating element	Élément chauffant	1,2	7,66kW 240V
	3	471 9822-22	Heating element	Élément chauffant	1,2	7,66kW 254V
	3	471 9822-23	Heating element	Élément chauffant	1,2	7,66kW 277V
	3	471 9823-41	Heating element	Élément chauffant	1,2	3,65 kW 240V, Mop
31	1	432 2951-05	Cable set	Jeu de câbles	3	400V Heating
	1	432 2952-03	Cable set	Jeu de câbles	3	230V Heating
32	2	432 2953-06	Cable set	Jeu de câbles	3	400V
33	1	472 9913-22	Sensor	Capteur	1,2	Complete
34	1	471 8192-01	•Bushing	•Douille	1	
35	1	432 3082-77	Cable set	Jeu de câbles	3	
36	1	432 1653-01	Clamp	Bride de fixation	3	
37	1	432 1654-01	Cover	Couvercle	3	
38	3	471 9822-99	Plug	Fiche	3	
* 39	1	471 9550-54	Transformer	Transformateur	1	200V
* 40	1	471 9550-59	Transformer	Transformateur	1	356V,380V,415V,440V,480V
41	1	432 1649-01	Plate	Tableau	3	
42	8	471 8328-05	Screw	Vis	3	M8X20
43	1	432 1426-01	Beam	Poutre	3	
44	1	432 1421-01	Bracket	Pupitre	3	
45	1	438 9563-01	Transformer	Transformateur	1	
46	1	432 2977-01	Cable set	Jeu de câbles	3	
47	2	432 1335-01	Guide	Guide	3	
47	16	471 8502-34	Washer	Rondelle	3	8,4x24x2



Issue	Month	Year
03	04	03

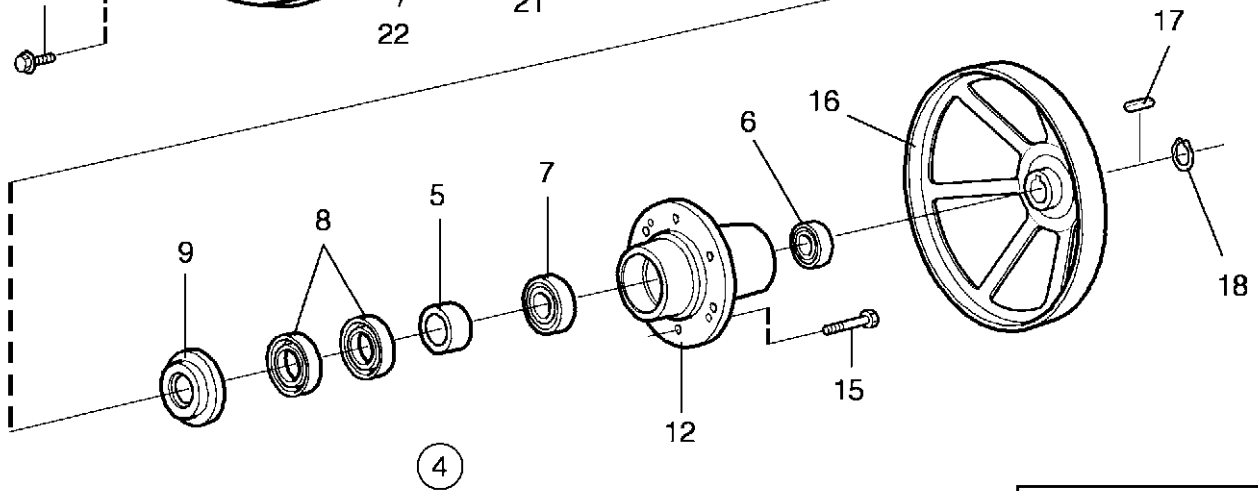
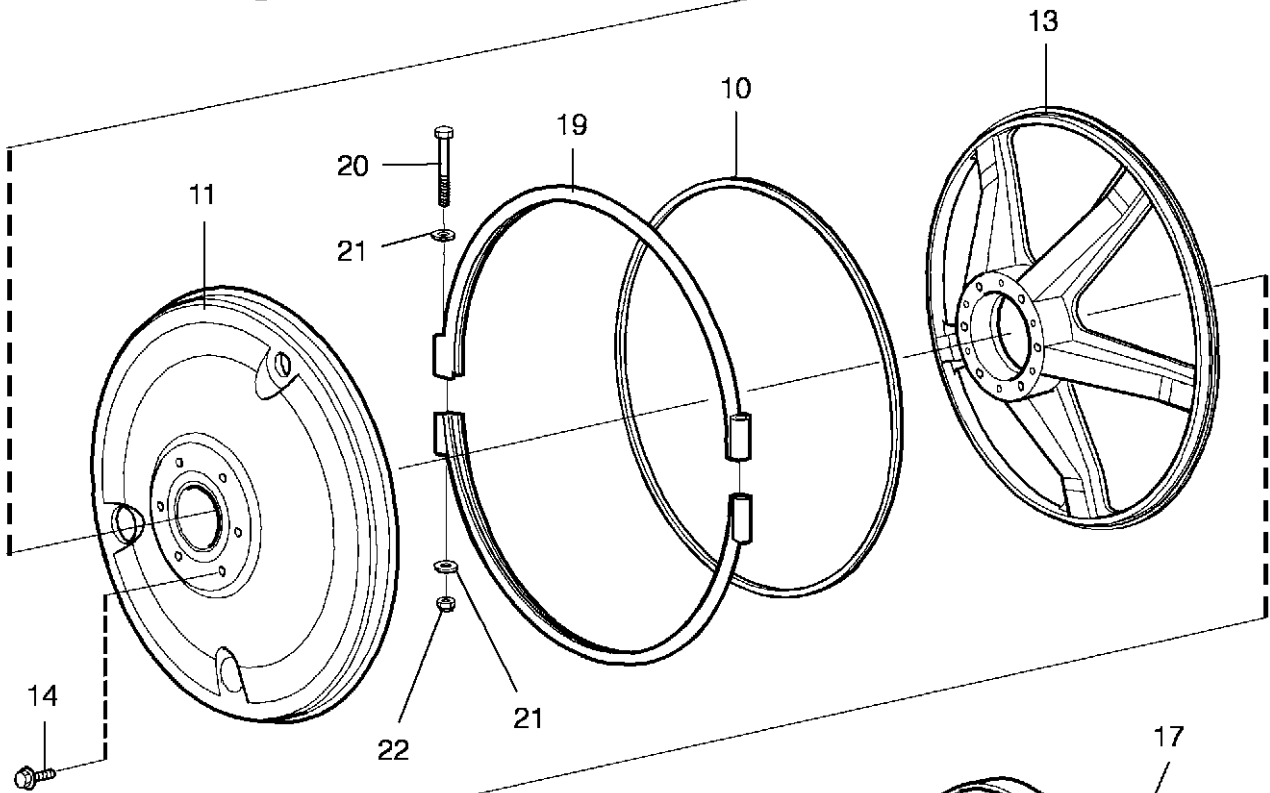
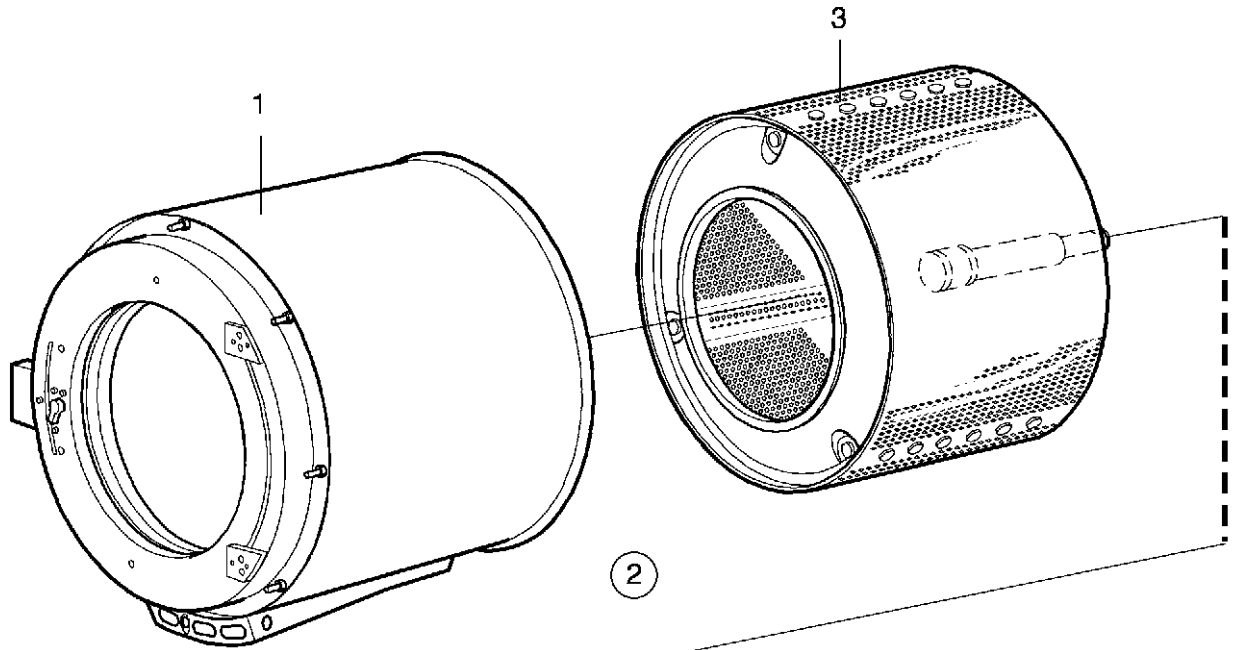


**EX655c,EX655s,FAS3240H,W3240H****Lining and top panel**

Illustration	Issue	Month	Year
Schéma	Issue	Month	Year
<b>101960/2</b>	<b>6</b>	<b>6</b>	<b>2003</b>

**Panneau frontal avec pupitre de commande**

Item Article	Qua. Qua.	Art.No Réf. article	Description	Description	Info Info	Notes Remarques
1	1	432 2004-01	Front plate	Panneau avant	3	Stainless
2	1	432 2135-02	Brace	Montant	3	
3	1	432 2163-15	Rubber strip	Joint caoutchouc	3	L=730
4	1	432 2052-01	Pillar	Montant	3	Stainless Left
5	1	432 2052-02	Pillar	Montant	3	Stainless Right
6	2	432 2163-13	Rubber strip	Joint caoutchouc	3	L=760
7	3	471 8342-15	Screw	Vis	3	
8	1	432 2163-13	Rubber strip	Joint caoutchouc	3	L=760
9	2	438 5335-01	Guide	Guide	3	
10	2	432 2036-01	Side panel	Panneau latéral	3	Grey
	2	432 2036-02	Side panel	Panneau latéral	3	White
	2	432 2036-10	Side panel	Panneau latéral	3	Stainless
11	1	432 2037-01	Side panel	Panneau latéral	3	Grey Left
	1	432 2037-03	Side panel	Panneau latéral	3	White Left
	1	432 2037-10	Side panel	Panneau latéral	3	Stainless Left
12	1	432 2037-02	Side panel	Panneau latéral	3	Grey Right
	1	432 2037-04	Side panel	Panneau latéral	3	White Right
	1	432 2037-11	Side panel	Panneau latéral	3	Stainless Right
13	1	432 2068-01	Rear panel	Paroi arrière	3	Upper
14	1	432 2069-01	Rear panel	Panneau arrière	3	Lower
15	1	432 2179-01	Brace	Montant	3	
16	1	432 2107-01	Brace bracket	Support de montant	3	
17	1	432 2844-01	Cover plate	Couvercle	3	DS
18	2	471 8641-02	Plug	Fiche	3	
19	1	432 2131-03	Brace	Montant	3	
20	4	471 7565-21	Velcro tape	Bande de serrage	3	
21	1	432 2121-04	Brace	Montant	3	
22	1	432 2155-01	Plate	Cloison	3	
23	1	432 2084-01	Top panel	Couvercle	3	
	1	432 2201-29	Top panel	Couvercle	3	Coin-meter
	1	432 2084-02	Top panel	Couvercle	3	No detergent container
	1	471 7826-10	•Lock	•Serrure	1,2	
	1	471 7826-20	•Key	•Touche	1,2	FH025
24	2	432 2040-01	Side panel	Panneau latéral	3	Grey Upper
	2	432 2040-02	Side panel	Panneau latéral	3	White Upper
	2	432 2040-10	Side panel	Panneau latéral	3	Stainless Upper
25	1	432 2137-01	Bracket	Pupitre	3	
26	1	471 7980-01	Stop	Butoir	3	
27	3	471 8342-15	Screw	Vis	3	



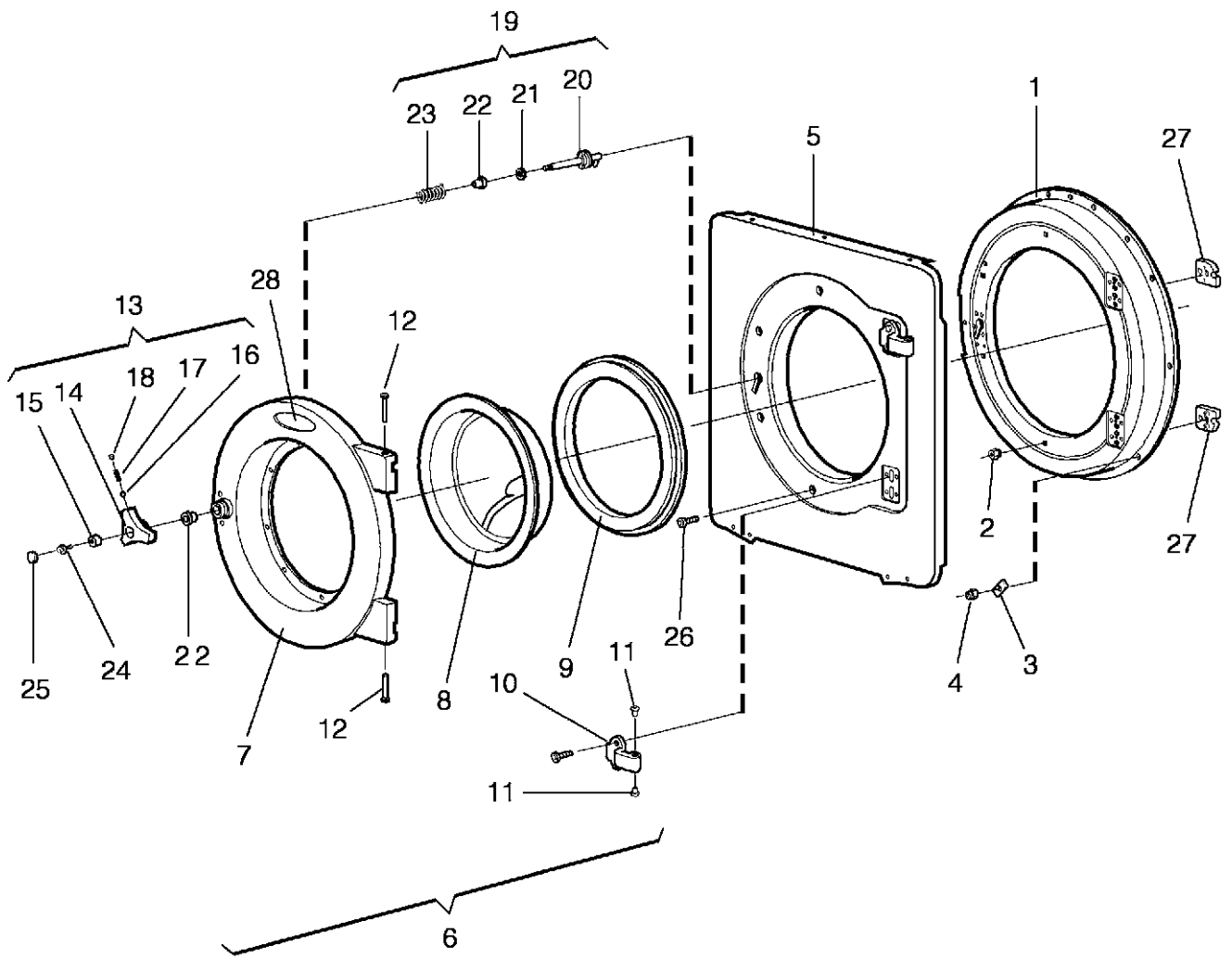
**EX655c,EX655s,FAS3240H,W3240H**

**Drum, rear gable**

**Tambour, pignon arrière**

Illustration Issue Month Year  
Schéma Issue Month Year  
**101760/4 7 5 2004**

Item Article	Qua. Qua.	Art.No Réf. article	Description	Description	Info Info	Notes Remarques
<b>1</b>	1	<b>432 1574-01</b>	Outer drum	Tambour extérieur	3	Non-heated
	1	<b>432 1574-02</b>	Outer drum	Tambour extérieur	3	El/Dual heating
	1	<b>432 1574-03</b>	Outer drum	Tambour extérieur	3	Steam
<b>2</b>	1	<b>432 1609-01</b>	Rear gable	Pignon arrière	3	Without lubrication
*	1	<b>432 1609-02</b>	Back plate	Pignon arrière	3	DBS
	1	<b>432 1609-03</b>	Rear gable	Pignon arrière	3	With lubrication
	1	<b>432 1609-04</b>	Rear gable	Pignon arrière	3	Level tube
	1	<b>432 1609-05</b>	Rear gable	Pignon arrière	3	DBS Level tube
<b>3</b>	1	<b>432 1504-01</b>	•Inner drum	•Intérieur du tambour	3	
	1	<b>432 1504-03</b>	•Inner drum	•Intérieur du tambour	3	DBS
<b>4</b>	1	<b>472 9913-19</b>	•Repair kit	•Kit reconditionnement	1,2	
<b>5</b>	1		••Bushing	••Douille		
<b>6</b>	1		••Ball bearing	••Roulement à billes		
<b>7</b>	1		••Ball bearing	••Roulement à billes		
<b>8</b>	2		••Sealing ring	••Bague d'étanchéité		
<b>9</b>	1		••Sealing ring	••Bague d'étanchéité		
<b>10</b>	1	<b>438 8155-05</b>	••Seal	••Joint		
<b>11</b>	1	<b>432 1549-01</b>	•Lining	•Panneau de renfort	3	
* <b>12</b>	1	<b>432 1564-01</b>	•Bearing housing	•Logement de palier	3	
<b>13</b>	1	<b>432 1544-01</b>	•End piece	•Pignon	3	
<b>14</b>	10	<b>471 8323-01</b>	•Screw	•Vis	3	M6X12
<b>15</b>	10	<b>471 8328-02</b>	•Screw	•Vis	3	M12X50
<b>16</b>	1	<b>432 1554-01</b>	•Pulley	•Poulie	3	
<b>17</b>	1	<b>735 9630-01</b>	•Wedge	•Cale	3	18x11x63
<b>18</b>	1	<b>735 3147-00</b>	•C-clamp	•Presse à main	3	SGA 60
<b>19</b>	2	<b>432 1569-01</b>	Tension strap	Extenseur	3	
<b>20</b>	2	<b>471 9222-59</b>	Screw	Vis	3	M8X140
<b>21</b>	4	<b>471 8502-14</b>	Washer	Rondelle	3	BRB 8,4X17
<b>22</b>	2	<b>732 2118-01</b>	Locking nut	Contre-écrou	3	M8



Issue	Month	Year
01	10	02

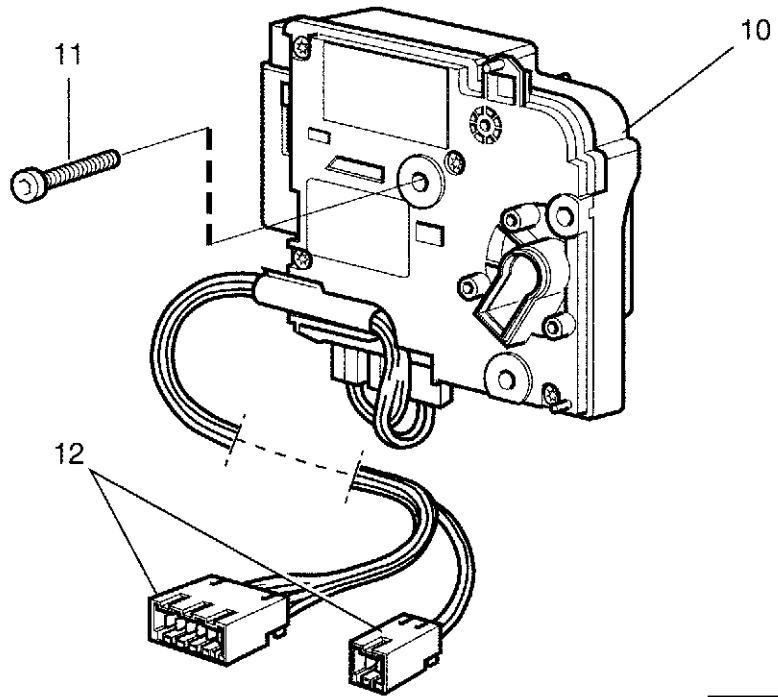
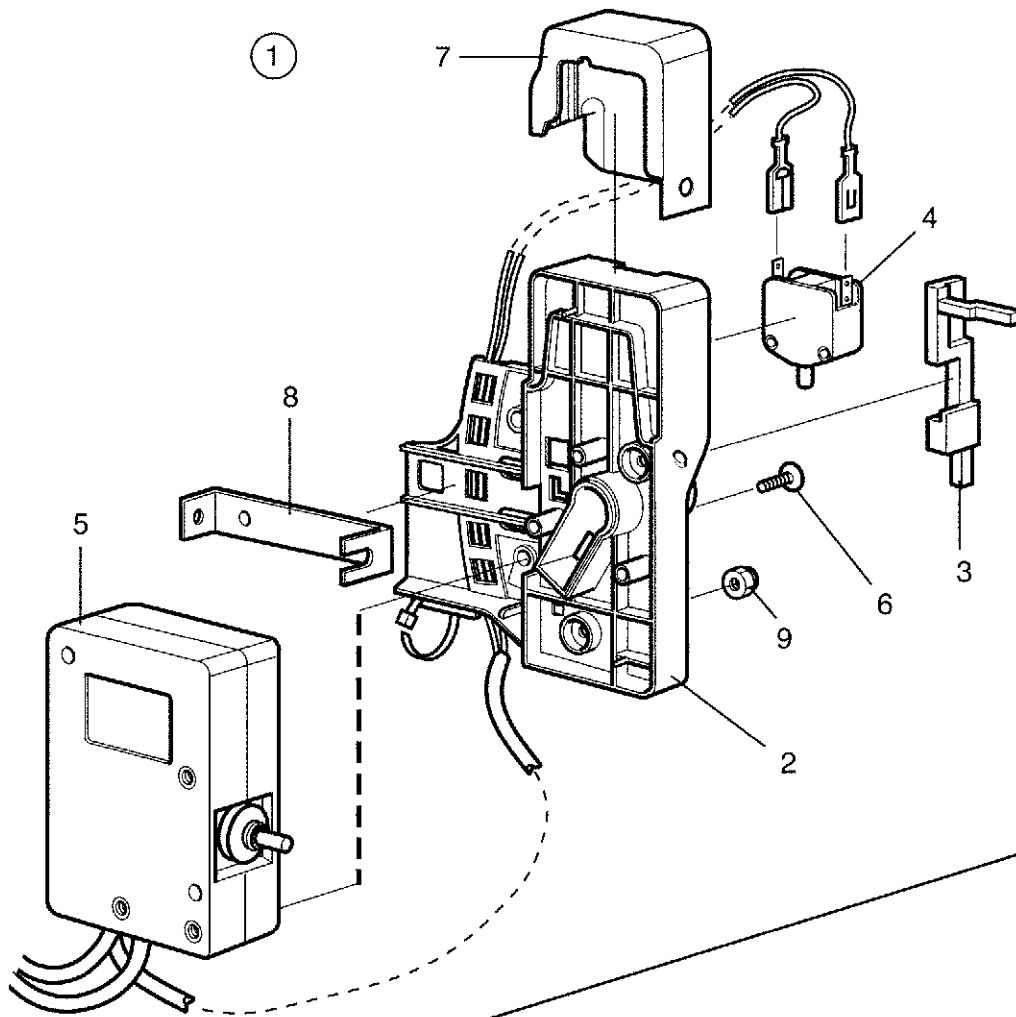
**EX655c,EX655s,FAS3240H,W3240H**

**Door and hinged joint**

**Assemblage articulé et plaque**

Illustration Issue Month Year  
Schéma Issue Month Year  
**101785/1 3 6 2003**

Item Article	Qua. Qua.	Art.No Réf. article	Description	Description	Info Info	Notes Remarques
1	1	432 1874-01	Support frame	Panneau de fixation	3	
2	4	471 8458-02	Nut	Écrou	3	M6
3	11	471 8527-01	Spring washer	Rondelle à ressort	3	
4	11	471 8404-02	Locking nut	Contre-écrou	3	M6
5	1	432 1888-01	Trim panel	Plaque de décoration	3	
6	1	432 4312-01	Door	Porte	1	Complete
	1	432 4312-02	Door	Porte	1	Aqua clean Complete
7	1	432 1828-01	•Door	•Porte	3	
8	1	432 1858-01	•Door glass	•Vitre de la porte	1,2	
	1	432 1858-02	•Door glass	•Vitre de la porte	1,2	Aqua clean
9	1	432 1843-01	•Door gasket	•Joint de la porte	1,2	
10	4	432 1950-01	•Hinged joint	•Assemblage articulé	1	
11	8	438 4062-01	•Bushing	•Douille	3	
12	2	432 1962-01	•Pin	•Goupille	3	
13	1	432 1955-01	•Knob	•Bouton	1,2	Complete
14	1		••Knob	••Bouton		
15	1		••Bushing	••Douille		
16	3		••Ball	••Bille		
17	3		••Spring	••Ressort		
18	3	728 8362-11	••Screw	••Vis		
19	1	472 9913-01	•Kit, lock shaft	•Kit de réparation, Axe de verrouillage	1,2	
20	1		••Lock shaft	••Axe de verrouillage		
21	1		••Washer	••Rondelle	3	
22	2		••Bushing	••Douille		
23	1		••Torsion spring	••Ressort rotatif		
24	1	725 2366-61	•Screw	•Vis	3	M6SF 6X12
25	1	432 1956-01	•Cover washer	•Rondelle protection	3	
26	8	471 8344-36	Screw	Vis	3	
27	4	432 1951-01	Bracket	Support de montage	3	
28	1	432 2620-06	Sign	Signe	3	Wascator
	1	432 2620-02	Sign	Signe	3	Wascomat
	1	432 2620-07	Sign	Signe	3	
	1	432 2620-08	Sign	Signe	3	



Issue	Month	Year
02	08	03

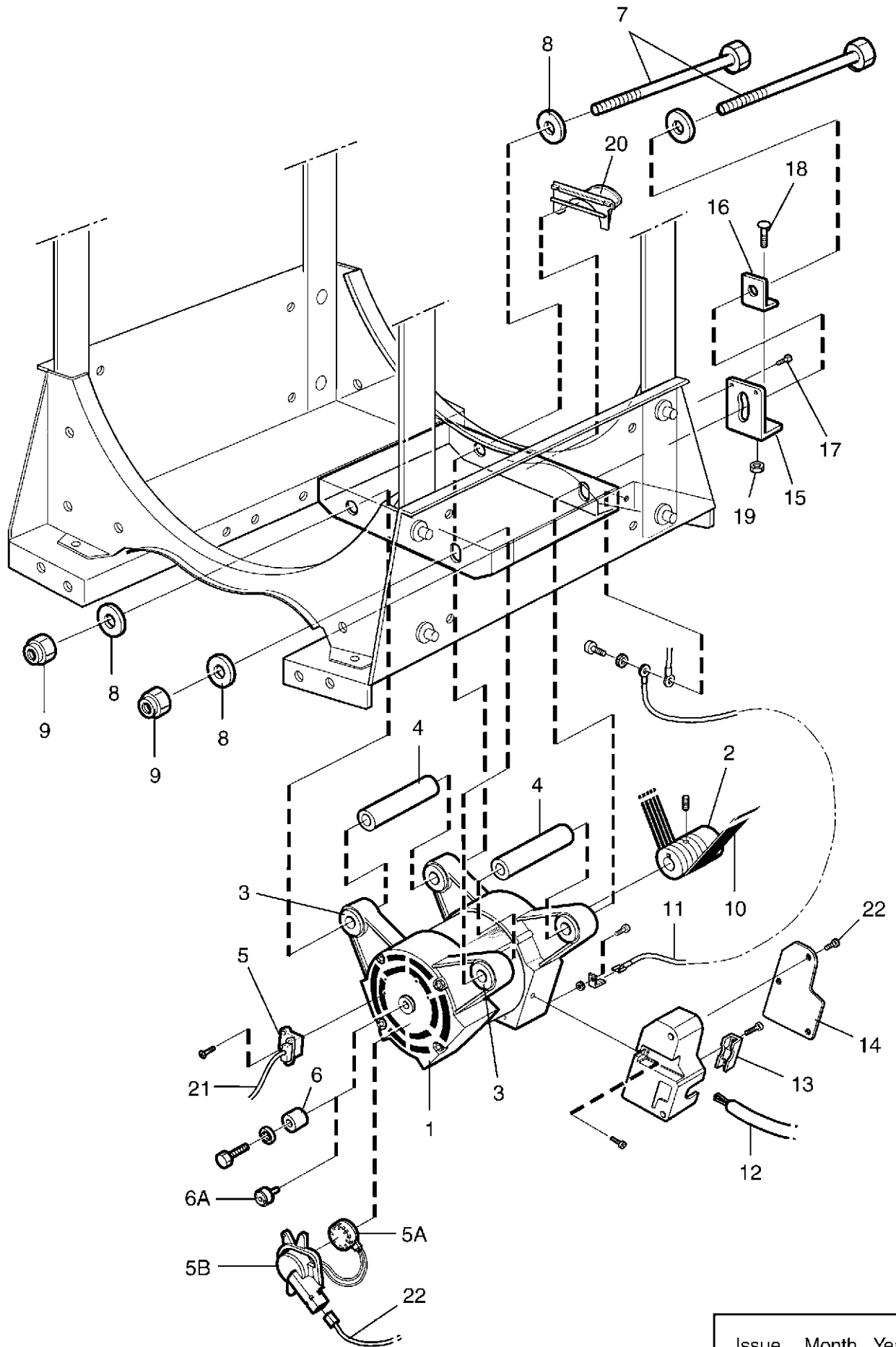
**EX655c,EX655s,FAS3240H,W3240H**

**Door lock**

**Serrure de porte**

Illustration Issue Month Year  
Schéma Issue Month Year  
**101776/2 3 10 2003**

Item Article	Qua. Qua.	Art.No Réf. article	Description	Description	Info Info	Notes Remarques
<b>1</b>	1	<b>472 9913-72</b>	Door locking device	Serrure de porte	1,2	CONVERSION KIT -795/3535
<b>2</b>	1		Lock plate	Case de serrure		
<b>3</b>	1		Catch	Dispositif blocage		
<b>4</b>	1	<b>471 9679-01</b>	Microswitch	Microrupteur	1,2	
<b>5</b>	1		Actuator	Actuator		
<b>6</b>	2		Screw	Vis		M5X16
<b>7</b>	1	<b>432 1960-01</b>	Cover	Couvercle	3	
<b>8</b>	1		Plate	Cloison		
<b>9</b>	2		Locking nut	Contre-écrou		M5
<b>10</b>	1	<b>438 9561-01</b>	Door locking device	Serrure de porte	1,2	Complete 795/3536-
<b>11</b>	3	<b>471 8342-47</b>	Screw	Vis	3	M6X25
<b>12</b>	1	<b>432 2905-02</b>	Cable set	Jeu de câbles	3	



Issue	Month	Year
05	01	04



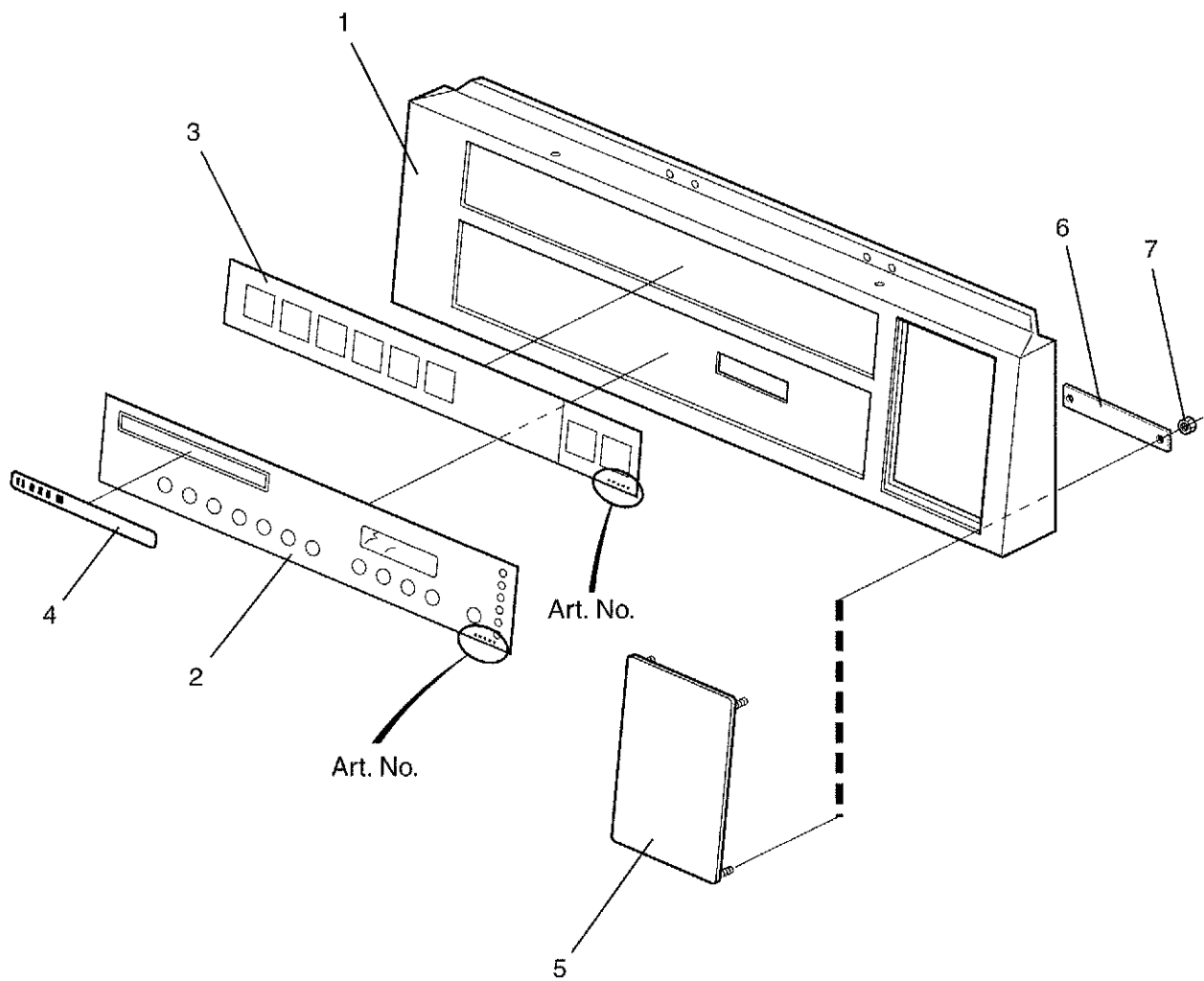
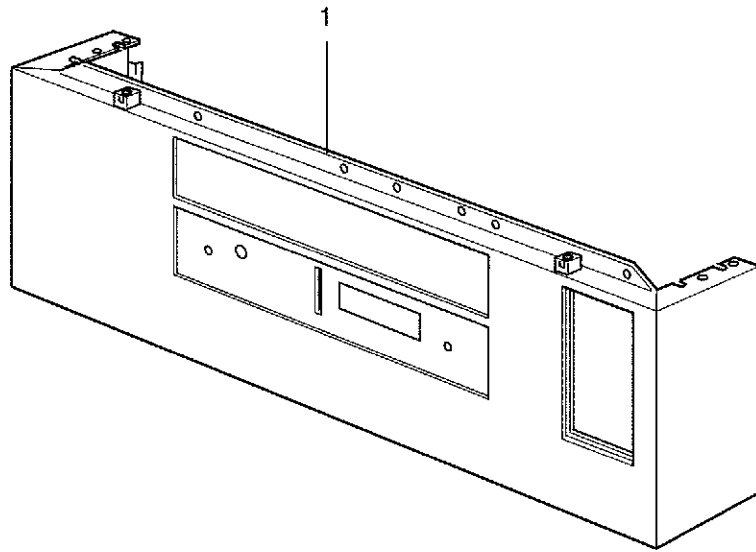
**EX655c,EX655s,FAS3240H,W3240H**

**Motor**

**Moteur**

Illustration Issue Month Year  
Schéma Issue Month Year  
**101758/4 10 5 2004**

Item Article	Qua. Qua.	Art.No Réf. article	Description	Description	Info Info	Notes Remarques
<b>1</b>	1	<b>438 9705-11</b>	Motor	Moteur	1,2	Complete -795/3769
<b>1</b>	1	<b>438 9705-71</b>	Motor	Moteur	1,2	Complete 795/3770-
<b>2</b>	1		•Pulley	•Poulie	3	
<b>3</b>	4	<b>438 8158-02</b>	•Rubber bushing	•Douille caoutchouc	3	
<b>4</b>	2		•Pipe	•Tube	3	
<b>5</b>	1	<b>432 3901-01</b>	•Sensor/transducer	•Capteur	1,2	-795/3769
<b>5A</b>	1	<b>471 8826-01</b>	•Tacho sensor	•Tacho sensor	1,2	795/3770-
<b>5B</b>	1	<b>432 1229-01</b>	•Cover	•Couvercle	3	795/3770-
<b>6</b>	1	<b>432 3905-01</b>	•Magnet	•Aimant	3	-795/3769
<b>6A</b>	1	<b>471 8827-01</b>	•Magnet	•Aimant	3	795/3770-
<b>7</b>	2	<b>471 8356-05</b>	Screw	Vis	3	M12x240
<b>8</b>	4	<b>734 1178-01</b>	Washer	Rondelle	3	BRB 13X24
<b>9</b>	2	<b>732 2122-01</b>	Locking nut	Contre-écrou	3	M12
<b>10</b>	1	<b>471 7705-03</b>	Ribbed belt	Ribbed belt	1,2	
<b>11</b>	1	<b>432 2982-02</b>	Cable set	Jeu de câbles	3	Terminal block
	1	<b>432 2983-01</b>	Cable set	Jeu de câbles	3	
<b>12</b>	1	<b>432 2991-01</b>	Cable set	Jeu de câbles	3	
<b>13</b>	1	<b>438 9799-02</b>	Clamp	Attache	3	
<b>14</b>	1	<b>438 9799-03</b>	Cover	Couvercle	3	
<b>15</b>	1	<b>432 1454-01</b>	Belt tensioner	Tendeur de courroie	3	
<b>16</b>	1	<b>432 1455-01</b>	Washer	Rondelle	3	
<b>17</b>	2	<b>471 8342-23</b>	Screw	Vis	3	MRT-TT 5X10
<b>18</b>	1	<b>471 8322-03</b>	Screw	Vis	3	M8X50
<b>19</b>	1	<b>732 2118-01</b>	Locking nut	Contre-écrou	3	M8
<b>20</b>	1	<b>432 1473-01</b>	Drip guard	Lèche-goutte	3	
<b>21</b>	1	<b>432 3083-36</b>	Cable set	Jeu de câbles	3	-795/3769
	1	<b>432 3082-70</b>	Cable set	Jeu de câbles	3	795/3770-
<b>22</b>	3	<b>471 8342-13</b>	Screw	Vis	3	MRT-TT 4X10



Issue	Month	Year
03	09	03

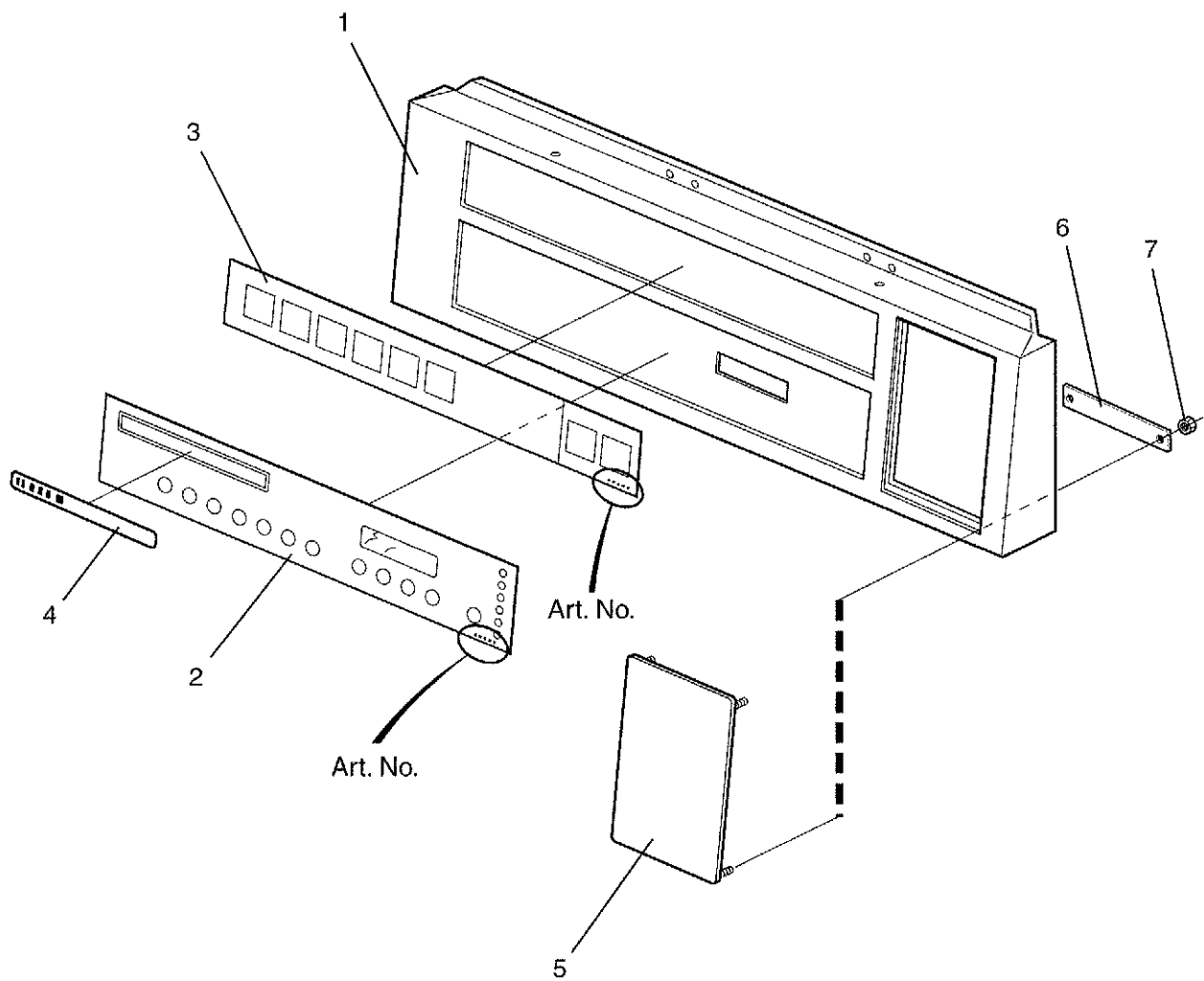
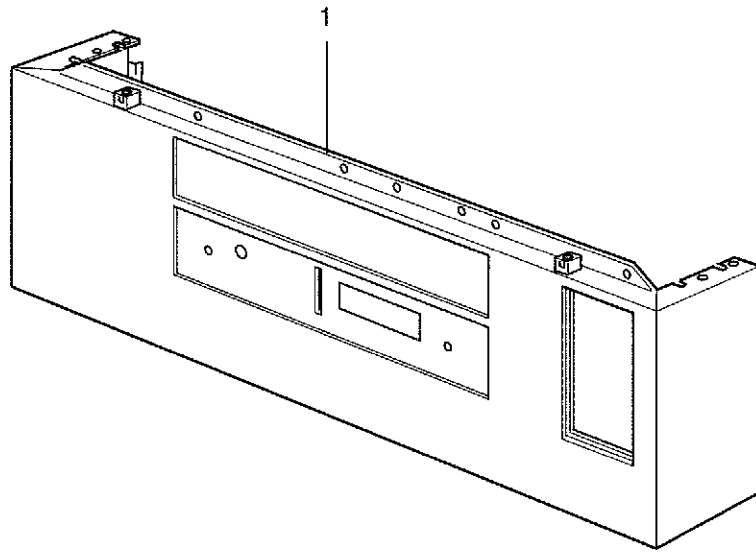
**EX655c,EX655s,FAS3240H,W3240H**

**Control panel Exacta**

**Pupitre de commande Exacta**

Illustration Issue Month Year  
Schéma Issue Month Year  
**101769/3 5 5 2004**

Item Article	Qua. Qua.	Art.No Réf. article	Description	Description	Info Info	Notes Remarques
<b>1</b>	1	<b>432 2019-01</b>	Front panel	Panneau avant	3	
<b>2</b>	1	<b>432 2720-01</b>	Panel sign	Voyant du tableau	1	Program 2A01, 2G41
	1	<b>432 2720-02</b>	Panel sign	Voyant du tableau	1	Program 2H11
	1	<b>432 2720-17</b>	Panel sign	Voyant du tableau	1	Program 2H12
	1	<b>432 2720-03</b>	Panel sign	Voyant du tableau	1	Program 2G01
	1	<b>432 2720-04</b>	Panel sign	Voyant du tableau	1	Program 2W01, 2H01, 2H02, 2M11, 2F01, 2F02
	1	<b>432 2720-11</b>	Panel sign	Voyant du tableau	1	Program 2L31
	1	<b>432 2720-06</b>	Panel sign	Voyant du tableau	1	Program 2L01, 2L02
	1	<b>432 2720-05</b>	Panel sign	Voyant du tableau	1	Program 2L41
	1	<b>432 2720-08</b>	Panel sign	Voyant du tableau	1	Program 2M01
	1	<b>432 2720-09</b>	Panel sign	Voyant du tableau	1	Program 2H21
	1	<b>432 2720-10</b>	Panel sign	Voyant du tableau	1	Program 2L11, 2L12
	1	<b>432 2720-12</b>	Panel sign	Voyant du tableau	1	Program 2R01
	1	<b>432 2720-13</b>	Panel sign	Voyant du tableau	1	Program 2A11
	1	<b>432 2720-18</b>	Panel sign	Voyant du tableau	1	Program 2C01
<b>3</b>	1	<b>432 2649-03</b>	Instruction plate	Plaque instruction utilisation	3	Program 2G41 Japanese
	1	<b>432 2649-04</b>	Instruction plate	Plaque instruction utilisation	3	Program 2W41 Japanese
	1	<b>432 2649-05</b>	Instruction plate	Plaque instruction utilisation	3	Program 2L41 Japanese
	1	<b>432 2649-06</b>	Instruction plate	Plaque instruction utilisation	3	Program 2L51 Japanese
	1	<b>432 2649-07</b>	Instruction plate	Plaque instruction utilisation	3	Program 2H42 Japanese
	1	<b>432 2649-20</b>	Instruction plate	Plaque instruction utilisation	3	Program 2A01 English
	1	<b>432 2649-21</b>	Instruction plate	Plaque instruction utilisation	3	Program 2M01 French
	1	<b>432 2649-22</b>	Instruction plate	Plaque instruction utilisation	3	Program 2M11, Mop Danish
	1	<b>432 2649-23</b>	Instruction plate	Plaque instruction utilisation	3	Program 2H12 Swedish
	1	<b>432 2649-24</b>	Instruction plate	Plaque instruction utilisation	3	Program 2M12 Swedish
	1	<b>432 2649-25</b>	Instruction plate	Plaque instruction utilisation	3	Program 2C01 Spanish
	1	<b>432 2649-26</b>	Instruction plate	Plaque instruction utilisation	3	Program 2A01 Danish
	1	<b>432 2649-27</b>	Instruction plate	Plaque instruction utilisation	3	Program 2A01 Swedish
	1	<b>432 2649-28</b>	Instruction plate	Plaque instruction utilisation	3	Program 2L01 English
	1	<b>432 2650-02</b>	Instruction plate	Plaque instruction utilisation	3	Program 2A01 Danish
	1	<b>432 2650-03</b>	Instruction plate	Plaque instruction utilisation	3	Program 2H11 Swedish
	1	<b>432 2650-04</b>	Instruction plate	Plaque instruction utilisation	3	Program 2W01, Aqua Clean Swedish
	1	<b>432 2650-05</b>	Instruction plate	Plaque instruction utilisation	3	Program 2L41 Japanese
	1	<b>432 2650-06</b>	Instruction plate	Plaque instruction utilisation	3	Program 2S01, Selecta USA
	1	<b>432 2650-07</b>	Instruction plate	Plaque instruction utilisation	3	Program 2G01 English
	1	<b>432 2650-08</b>	Instruction plate	Plaque instruction utilisation	3	Program 2G01 German
	1	<b>432 2650-09</b>	Instruction plate	Plaque instruction utilisation	3	Program 2G01 French
	1	<b>432 2650-10</b>	Instruction plate	Plaque instruction utilisation	3	
	1	<b>432 2650-11</b>	Instruction plate	Plaque instruction utilisation	3	Program 2L31, Emerald USA
	1	<b>432 2650-12</b>	Instruction plate	Plaque instruction utilisation	3	Program 2L01 English
	1	<b>432 2650-13</b>	Instruction plate	Plaque instruction utilisation	3	Program 2M01, Mop English
	1	<b>432 2650-14</b>	Instruction plate	Plaque instruction utilisation	3	Program 2W01, Aqua Clean English
	1	<b>432 2650-16</b>	Instruction plate	Plaque instruction utilisation	3	Program 2H21, Hygienic Danish
	1	<b>432 2650-17</b>	Instruction plate	Plaque instruction utilisation	3	Program 2L11, Thermoboost German
	1	<b>432 2650-18</b>	Instruction plate	Plaque instruction utilisation	3	Program 2L12, Laundrette German
	1	<b>432 2650-19</b>	Instruction plate	Plaque instruction utilisation	3	Program 2H02, Selecta Danish
	1	<b>432 2650-20</b>	Instruction plate	Plaque instruction utilisation	3	Program 2H01, Hospital English
	1	<b>432 2650-24</b>	Instruction plate	Plaque instruction utilisation	3	Program 2A01, W3240 Swedish
	1	<b>432 2650-25</b>	Instruction plate	Plaque instruction utilisation	3	Program 2M11, Mop Swedish
	1	<b>432 2650-26</b>	Instruction plate	Plaque instruction utilisation	3	Program 2F01, Farm Swedish
	1	<b>432 2650-27</b>	Instruction plate	Plaque instruction utilisation	3	Program 2R01, QSR Swedish
	1	<b>432 2650-28</b>	Instruction plate	Plaque instruction utilisation	3	Program 2F01, Farm English
	1	<b>432 2650-29</b>	Instruction plate	Plaque instruction utilisation	3	Program 2R01, QSR English
	1	<b>432 2650-30</b>	Instruction plate	Plaque instruction utilisation	3	Program 2F01, Farm German



Issue	Month	Year
03	09	03

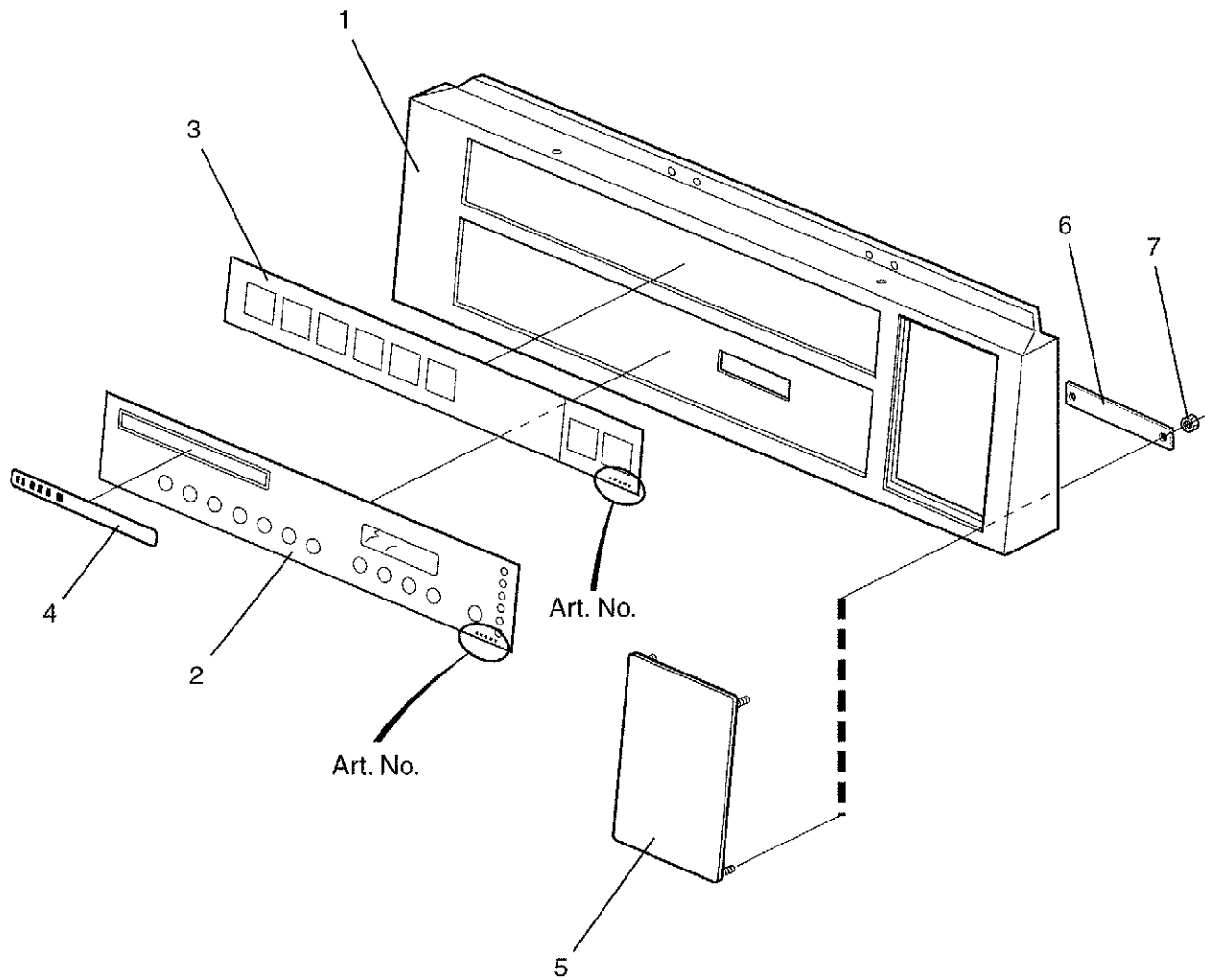
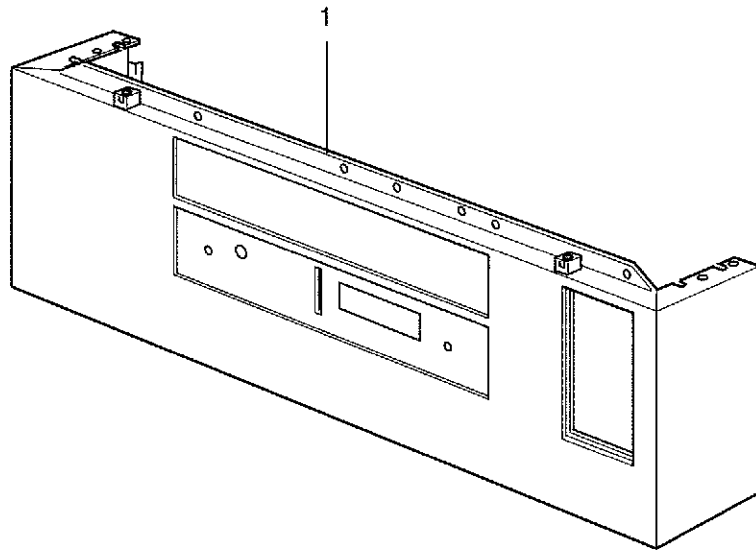
**EX655c,EX655s,FAS3240H,W3240H**

**Control panel Exacta**

**Pupitre de commande Exacta**

Illustration Issue Month Year  
Schéma Issue Month Year  
**101769/3 5 5 2004**

Item Article	Qua. Qua.	Art.No Réf. article	Description	Description	Info Info	Notes Remarques
	1	<b>432 2650-31</b>	Instruction plate	Plaque instruction utilisation	3	Program 2F02, Westfalla German
	1	<b>432 2650-32</b>	Instruction plate	Plaque instruction utilisation	3	Program 2L01 German
	1	<b>432 2650-33</b>	Instruction plate	Plaque instruction utilisation	3	Program 2M01, Mop German
	1	<b>432 2650-34</b>	Instruction plate	Plaque instruction utilisation	3	Program 2R01, QSR German
	1	<b>432 2650-35</b>	Instruction plate	Plaque instruction utilisation	3	Program 2W01, Aqua Clean German
	1	<b>432 2650-36</b>	Instruction plate	Plaque instruction utilisation	3	Program 2H21, Hygienic, Nyborg English
	1	<b>432 2650-37</b>	Instruction plate	Plaque instruction utilisation	3	Program 2L12, Nyborg English
	1	<b>432 2650-38</b>	Instruction plate	Plaque instruction utilisation	3	Program 2F01, Farm French
	1	<b>432 2650-39</b>	Instruction plate	Plaque instruction utilisation	3	Program 2L01 French
	1	<b>432 2650-40</b>	Instruction plate	Plaque instruction utilisation	3	Program 2L02, Mench French
	1	<b>432 2650-41</b>	Instruction plate	Plaque instruction utilisation	3	Program 2R01, QSR French
	1	<b>432 2650-42</b>	Instruction plate	Plaque instruction utilisation	3	Program 2W01, Aqua Clean French
	1	<b>432 2650-43</b>	Instruction plate	Plaque instruction utilisation	3	Program 2L12 French
	1	<b>432 2650-44</b>	Instruction plate	Plaque instruction utilisation	3	Program 2F01, Farm Italian
	1	<b>432 2650-45</b>	Instruction plate	Plaque instruction utilisation	3	Program 2G01 Italian
	1	<b>432 2650-46</b>	Instruction plate	Plaque instruction utilisation	3	Program 2R01, QSR Italian
	1	<b>432 2650-47</b>	Instruction plate	Plaque instruction utilisation	3	Program 2L12 Italian
	1	<b>432 2650-48</b>	Instruction plate	Plaque instruction utilisation	3	Program 2W01, Aqua Clean Italian
	1	<b>432 2650-49</b>	Instruction plate	Plaque instruction utilisation	3	Program 2F01, Farm Spanish
	1	<b>432 2650-50</b>	Instruction plate	Plaque instruction utilisation	3	Program 2G01 Spanish
	1	<b>432 2650-51</b>	Instruction plate	Plaque instruction utilisation	3	Program 2L01 Spanish
	1	<b>432 2650-52</b>	Instruction plate	Plaque instruction utilisation	3	Program 2R01, QSR Spanish
	1	<b>432 2650-53</b>	Instruction plate	Plaque instruction utilisation	3	Program 2W01, Aqua Clean Spanish
	1	<b>432 2650-54</b>	Instruction plate	Plaque instruction utilisation	3	Program 2L12 Spanish
	1	<b>432 2650-55</b>	Instruction plate	Plaque instruction utilisation	3	Program 2F01, Farm Dutch
	1	<b>432 2650-56</b>	Instruction plate	Plaque instruction utilisation	3	Program 2G01 Dutch
	1	<b>432 2650-57</b>	Instruction plate	Plaque instruction utilisation	3	Program 2L01 Dutch
	1	<b>432 2650-58</b>	Instruction plate	Plaque instruction utilisation	3	Program 2L02, Mench Dutch
	1	<b>432 2650-59</b>	Instruction plate	Plaque instruction utilisation	3	Program 2R01, QSR Dutch
	1	<b>432 2650-60</b>	Instruction plate	Plaque instruction utilisation	3	Program 2W01, Aqua Clean Dutch
	1	<b>432 2650-61</b>	Instruction plate	Plaque instruction utilisation	3	Program 2L12, Nyborg Dutch
	1	<b>432 2650-62</b>	Instruction plate	Plaque instruction utilisation	3	Program 2F01, Farm Danish
	1	<b>432 2650-63</b>	Instruction plate	Plaque instruction utilisation	3	Program 2G01 Danish
	1	<b>432 2650-64</b>	Instruction plate	Plaque instruction utilisation	3	Program 2L01 Danish
	1	<b>432 2650-65</b>	Instruction plate	Plaque instruction utilisation	3	Program 2R01, QSR Danish
	1	<b>432 2650-66</b>	Instruction plate	Plaque instruction utilisation	3	Program 2W01, Aqua Clean Danish
	1	<b>432 2650-67</b>	Instruction plate	Plaque instruction utilisation	3	Program 2A01 Finnish
	1	<b>432 2650-68</b>	Instruction plate	Plaque instruction utilisation	3	Program 2F01, Farm Finnish
	1	<b>432 2650-69</b>	Instruction plate	Plaque instruction utilisation	3	Program 2G01 Finnish
	1	<b>432 2650-70</b>	Instruction plate	Plaque instruction utilisation	3	Program 2L01 Finnish
	1	<b>432 2650-71</b>	Instruction plate	Plaque instruction utilisation	3	Program 2M11, Mop Finnish
	1	<b>432 2650-72</b>	Instruction plate	Plaque instruction utilisation	3	Program R01 Finnish
	1	<b>432 2650-73</b>	Instruction plate	Plaque instruction utilisation	3	Program 2W01, Aqua Clean Finnish
	1	<b>432 2650-74</b>	Instruction plate	Plaque instruction utilisation	3	Program 2A01 Norwegian
	1	<b>432 2650-75</b>	Instruction plate	Plaque instruction utilisation	3	Program 2F01, Farm Norwegian
	1	<b>432 2650-76</b>	Instruction plate	Plaque instruction utilisation	3	Program 2G01 Norwegian
	1	<b>432 2650-77</b>	Instruction plate	Plaque instruction utilisation	3	Program 2L01 Norwegian
	1	<b>432 2650-78</b>	Instruction plate	Plaque instruction utilisation	3	Program 2M11, Mop Norwegian
	1	<b>432 2650-79</b>	Instruction plate	Plaque instruction utilisation	3	Program 2R01, QSR Norwegian



Issue	Month	Year
03	09	03

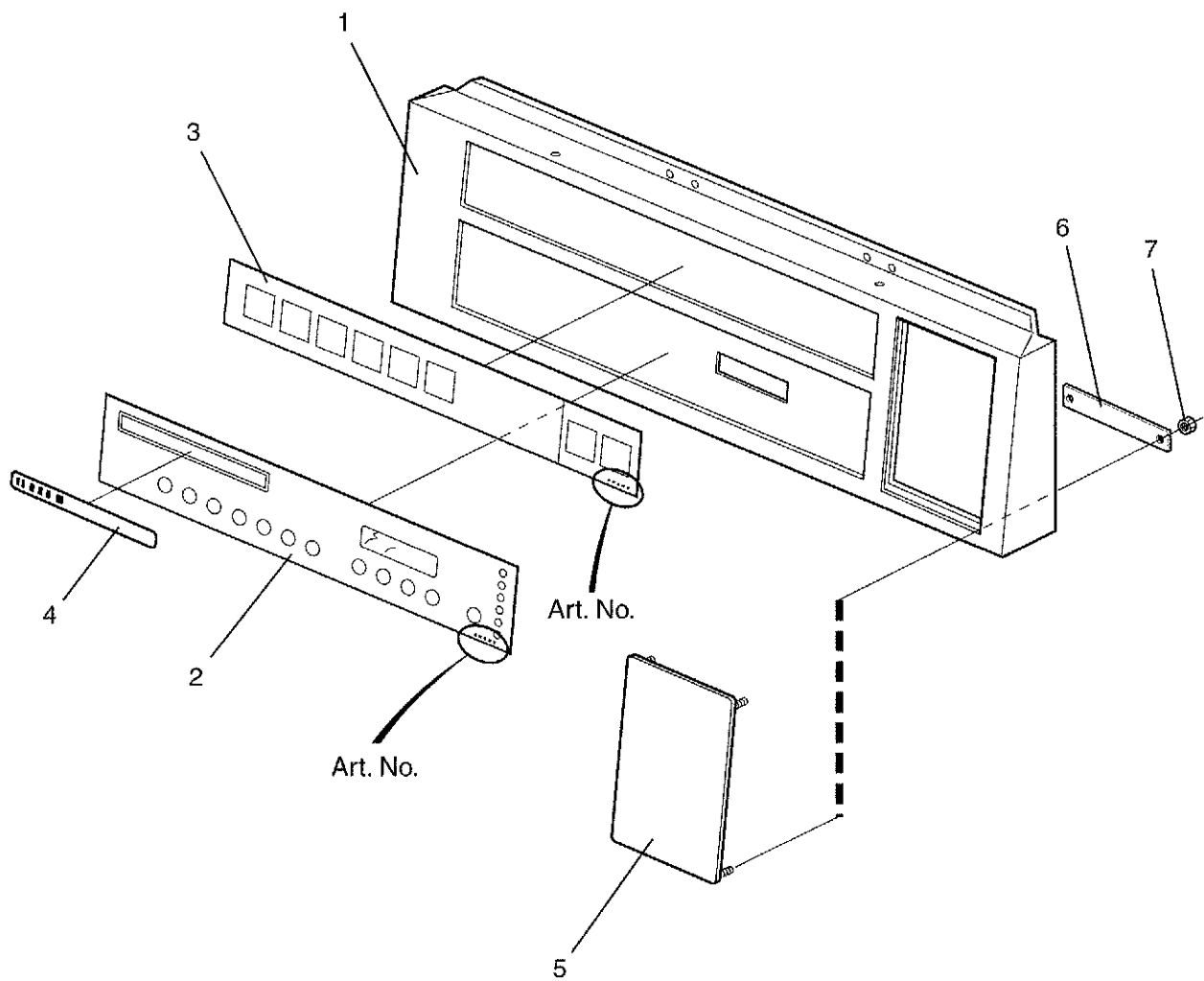
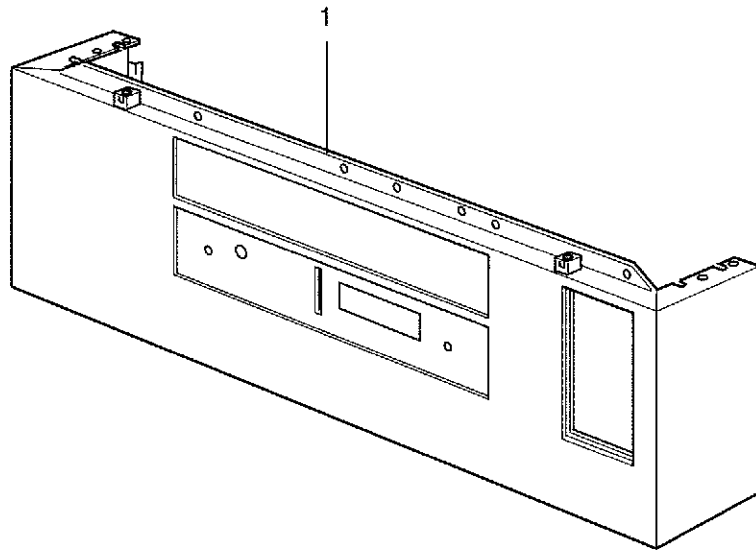
**EX655c,EX655s,FAS3240H,W3240H**

**Control panel Exacta**

**Pupitre de commande Exacta**

Illustration    Issue    Month    Year  
Schéma        Issue    Month    Year  
**101769/3    5        5        2004**

Item Article	Qua. Qua.	Art.No Réf. article	Description	Description	Info Info	Notes Remarques
	1	<b>432 2650-80</b>	Instruction plate	Plaque instruction utilisation	3	Program 2W01, Aqua Clean Norwegian
	1	<b>432 2650-81</b>	Instruction plate	Plaque instruction utilisation	3	Program 2L12, Nyborg Norwegian
	1	<b>432 2650-82</b>	Instruction plate	Plaque instruction utilisation	3	Program 2F01 Polish
	1	<b>432 2650-83</b>	Instruction plate	Plaque instruction utilisation	3	Program 2G01 Polish
	1	<b>432 2650-84</b>	Instruction plate	Plaque instruction utilisation	3	Program 2L01 Polish
	1	<b>432 2650-85</b>	Instruction plate	Plaque instruction utilisation	3	Program 2R01, QSR Polish
	1	<b>432 2650-86</b>	Instruction plate	Plaque instruction utilisation	3	Program 2W01, Aqua Clean Polish
	1	<b>432 2650-87</b>	Instruction plate	Plaque instruction utilisation	3	Program 2L12, Nyborg Polish
	1	<b>432 2650-88</b>	Instruction plate	Plaque instruction utilisation	3	Program 2L31, Emerald Spanish
	1	<b>432 2650-89</b>	Instruction plate	Plaque instruction utilisation	3	Program 2S01, Selecta Spanish
	1	<b>432 2650-90</b>	Instruction plate	Plaque instruction utilisation	3	Program 2L31, Emerald French
	1	<b>432 2650-91</b>	Instruction plate	Plaque instruction utilisation	3	Program 2S01, Selecta French
	1	<b>432 2650-92</b>	Instruction plate	Plaque instruction utilisation	3	Program 2L01 Italian, English
	1	<b>432 2650-93</b>	Instruction plate	Plaque instruction utilisation	3	Program 2A11 Mats/heavy laundry, Swedish
	1	<b>432 2650-94</b>	Instruction plate	Plaque instruction utilisation	3	Program 2A11 Mats/heavy laundry, Danish
	1	<b>432 2650-95</b>	Instruction plate	Plaque instruction utilisation	3	Program 2A11 Mats/heavy laundry, Norwegian
	1	<b>432 2650-96</b>	Instruction plate	Plaque instruction utilisation	3	Program 2A11 Mats/heavy laundry, Finnish
	1	<b>432 2650-97</b>	Instruction plate	Plaque instruction utilisation	3	Program 2F02, Westfalla Swedish
	1	<b>432 2650-98</b>	Instruction plate	Plaque instruction utilisation	3	Program 2H11 Finnish/Swedish
	1	<b>432 2652-06</b>	Instruction plate	Plaque instruction utilisation	3	Program 2G01 Swedish
	1	<b>432 2652-07</b>	Instruction plate	Plaque instruction utilisation	3	Program 2G01 English
	1	<b>432 2652-08</b>	Instruction plate	Plaque instruction utilisation	3	Program 2L01 English
	1	<b>432 2652-09</b>	Instruction plate	Plaque instruction utilisation	3	Program 2G01 German
	1	<b>432 2652-10</b>	Instruction plate	Plaque instruction utilisation	3	Program 2L01 German
	1	<b>432 2652-11</b>	Instruction plate	Plaque instruction utilisation	3	Program 2L12 German
	1	<b>432 2652-12</b>	Instruction plate	Plaque instruction utilisation	3	Program 2G01 French
	1	<b>432 2652-13</b>	Instruction plate	Plaque instruction utilisation	3	Program 2L01 French
	1	<b>432 2652-14</b>	Instruction plate	Plaque instruction utilisation	3	Program 2L12 French
	1	<b>432 2652-15</b>	Instruction plate	Plaque instruction utilisation	3	Program 2G01 Italian
	1	<b>432 2652-16</b>	Instruction plate	Plaque instruction utilisation	3	Program 2L12 Italian
	1	<b>432 2652-17</b>	Instruction plate	Plaque instruction utilisation	3	Program 2G01 Spanish
	1	<b>432 2652-18</b>	Instruction plate	Plaque instruction utilisation	3	Program 2L01 Spanish
	1	<b>432 2652-19</b>	Instruction plate	Plaque instruction utilisation	3	Program 2L12 Spanish
	1	<b>432 2652-20</b>	Instruction plate	Plaque instruction utilisation	3	Program 2G01 Dutch
	1	<b>432 2652-21</b>	Instruction plate	Plaque instruction utilisation	3	Program 2L01 Dutch
	1	<b>432 2652-22</b>	Instruction plate	Plaque instruction utilisation	3	Program 2L12 Dutch
	1	<b>432 2652-23</b>	Instruction plate	Plaque instruction utilisation	3	Program 2A01 Danish
	1	<b>432 2652-24</b>	Instruction plate	Plaque instruction utilisation	3	Program 2G01 Danish
	1	<b>432 2652-25</b>	Instruction plate	Plaque instruction utilisation	3	Program 2L01 Danish
	1	<b>432 2652-26</b>	Instruction plate	Plaque instruction utilisation	3	Program 2H21 Danish
	1	<b>432 2652-27</b>	Instruction plate	Plaque instruction utilisation	3	Program 2A01 Finnish
	1	<b>432 2652-28</b>	Instruction plate	Plaque instruction utilisation	3	Program 2G01 Finnish
	1	<b>432 2652-29</b>	Instruction plate	Plaque instruction utilisation	3	Program 2L01 Finnish
	1	<b>432 2652-30</b>	Instruction plate	Plaque instruction utilisation	3	Program 2A01 Norwegian
	1	<b>432 2652-31</b>	Instruction plate	Plaque instruction utilisation	3	Program 2G01 Norwegian
	1	<b>432 2652-32</b>	Instruction plate	Plaque instruction utilisation	3	Program 2L01 Norwegian
	1	<b>432 2652-33</b>	Instruction plate	Plaque instruction utilisation	3	Program 2L12 Norwegian
	1	<b>432 2652-34</b>	Instruction plate	Plaque instruction utilisation	3	Program 2G01 Polish
	1	<b>432 2652-35</b>	Instruction plate	Plaque instruction utilisation	3	Program 2L01 Polish
	1	<b>432 2652-36</b>	Instruction plate	Plaque instruction utilisation	3	Program 2L12 Polish



Issue	Month	Year
03	09	03



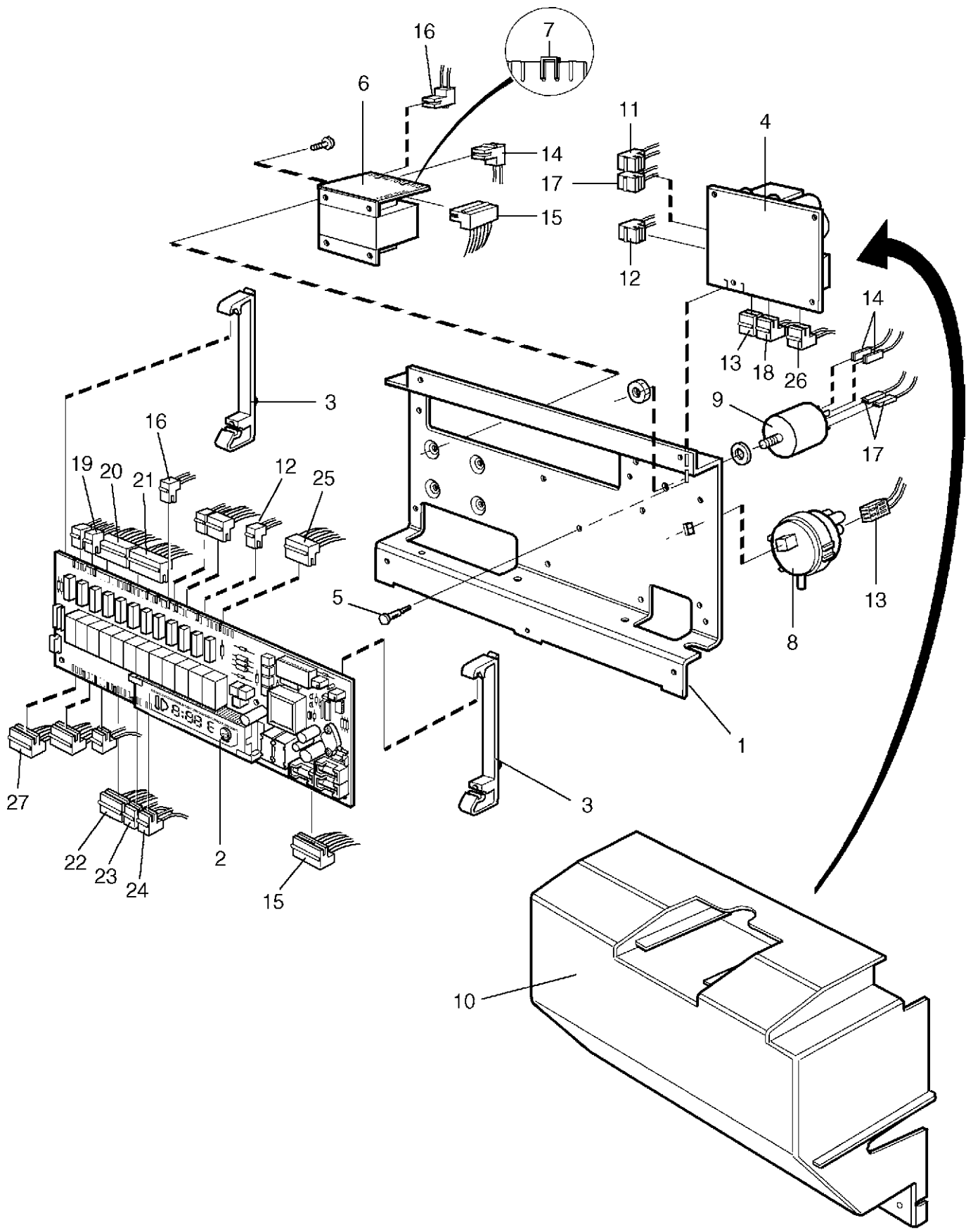
**EX655c,EX655s,FAS3240H,W3240H**

**Control panel Exacta**

**Pupitre de commande Exacta**

Illustration	Issue	Month	Year
Schéma	Issue	Month	Year
<b>101769/3</b>	<b>5</b>	<b>5</b>	<b>2004</b>

Item Article	Qua. Qua.	Art.No Réf. article	Description	Description	Info Info	Notes Remarques
4 *	1	432 2652-37	Instruction plate	Plaque instruction utilisation	3	Program 2L01 Italian
	1	432 2652-38	Instruction plate	Plaque instruction utilisation	3	Program 2L11 German
	1	432 2652-39	Instruction plate	Plaque instruction utilisation	3	Program 2A01 Danish
	1	432 2652-40	Instruction plate	Plaque instruction utilisation	3	Program 2A01 Swedish
	1	432 2652-41	Instruction plate	Plaque instruction utilisation	3	Program 2L01 English
	1	432 2602-04	Type plate	Numéro série plaque	3	W3240H
	1	432 2608-51	Type plate	Numéro série plaque	3	EX655s
	1	432 2602-70	Type plate	Numéro série plaque	3	FAS3240
	5	432 2150-01	Cover plate	Couvercle	3	
	6	432 2181-01	Lock washer	Rondelle d'arrêt	3	
7	4	732 2112-01	Locking nut	Contre-écrou	3	M4



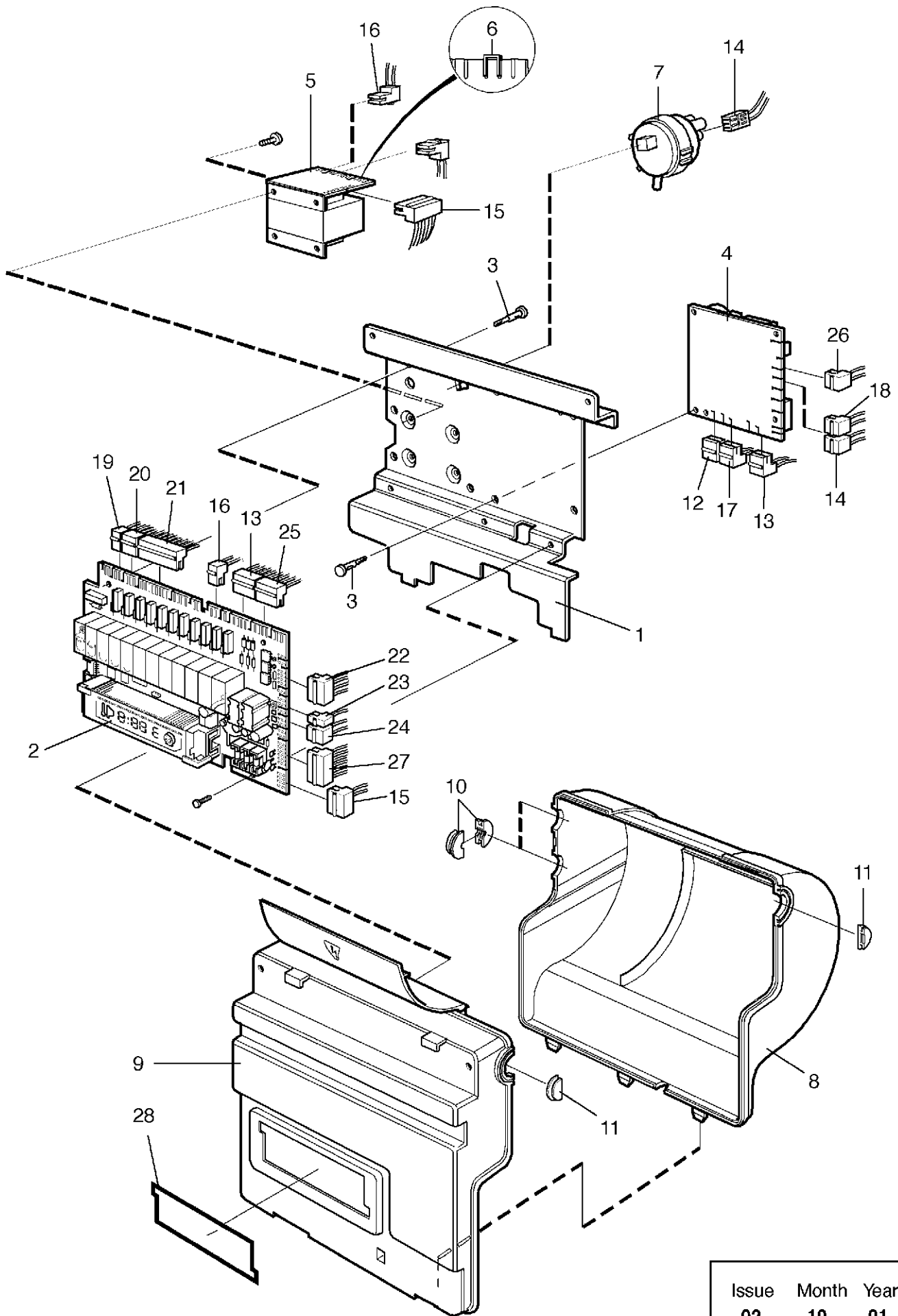
**EX655c,EX655s,FAS3240H,W3240H**

**Electrical components Exacta**

**Composants électriques Exacta**

Illustration Issue Month Year  
Schéma Issue Month Year  
**101764/3 6 12 2003**

Item Article	Qua. Qua.	Art.No Réf. article	Description	Description	Info Info	Notes Remarques
1	1	432 2151-01	Mounting plate	Plaque de montage	3	
2	1	471 8988-10	Printed circuit board	Circuit imprimé	1,2	
3	2	432 2153-01	Bracket	Pièce de retenue	3	
4	1	438 9555-11	Control unit	Organe de direction	1,2	230V -795/3769
	1	438 9555-12	Control unit	Organe de direction	1,2	120V -795/3769
	1	438 9564-01	Control unit	Organe de direction	1,2	795/3770-
5	4	471 7958-02	Support	Support	3	
6	1	471 9558-12	Transformer	Transformateur	1	
7	1	472 9913-43	Clamp	Bride de fixation	3	Kit 25 pcs
8	1	471 8861-01	Level guard	Limiteur de niveau	1,2	
9	1	471 9529-10	Mains filter	Filtre de filet	3	208-240V
10	1	432 2152-01	Protective cover	Couvercle de protection	3	
11	1	432 3082-48	Cable set	Jeu de câbles	3	
	1	432 3082-57	Cable set	Jeu de câbles	3	X31-X92
13	1	432 3182-93	Cable set	Jeu de câbles	3	X93
14	1	432 3082-84	Cable set	Jeu de câbles	3	X178-L1, N/L2
15	1	432 3087-04	Cable set	Jeu de câbles	3	X20-X172
16	1	432 3082-27	Cable set	Jeu de câbles	3	X33-X278
17	1	432 3082-82	Cable set	Jeu de câbles	3	X91-L1, N/L2
18	1	432 3182-21	Cable set	Jeu de câbles	3	-795/3769
	1	432 3182-20	Cable set	Jeu de câbles	3	795/3770-
19	1	432 3082-49	Cable set	Jeu de câbles	3	X37-X302
20	1	432 3088-30	Cable set	Jeu de câbles	3	X36-X48
21	1	432 3087-30	Cable set	Jeu de câbles	3	X35-X43
22	1	432 3084-40	Cable set	Jeu de câbles	3	X24-X301
23	1	432 3082-77	Cable set	Jeu de câbles	3	X23
24	1	432 3082-18	Cable set	Jeu de câbles	3	X22-X40
25	1	432 3086-91	Cable set	Jeu de câbles	3	X30
26	1	432 3082-99	Cable set	Jeu de câbles	3	X96
27	1	432 3086-15	Cable set	Jeu de câbles	3	X21



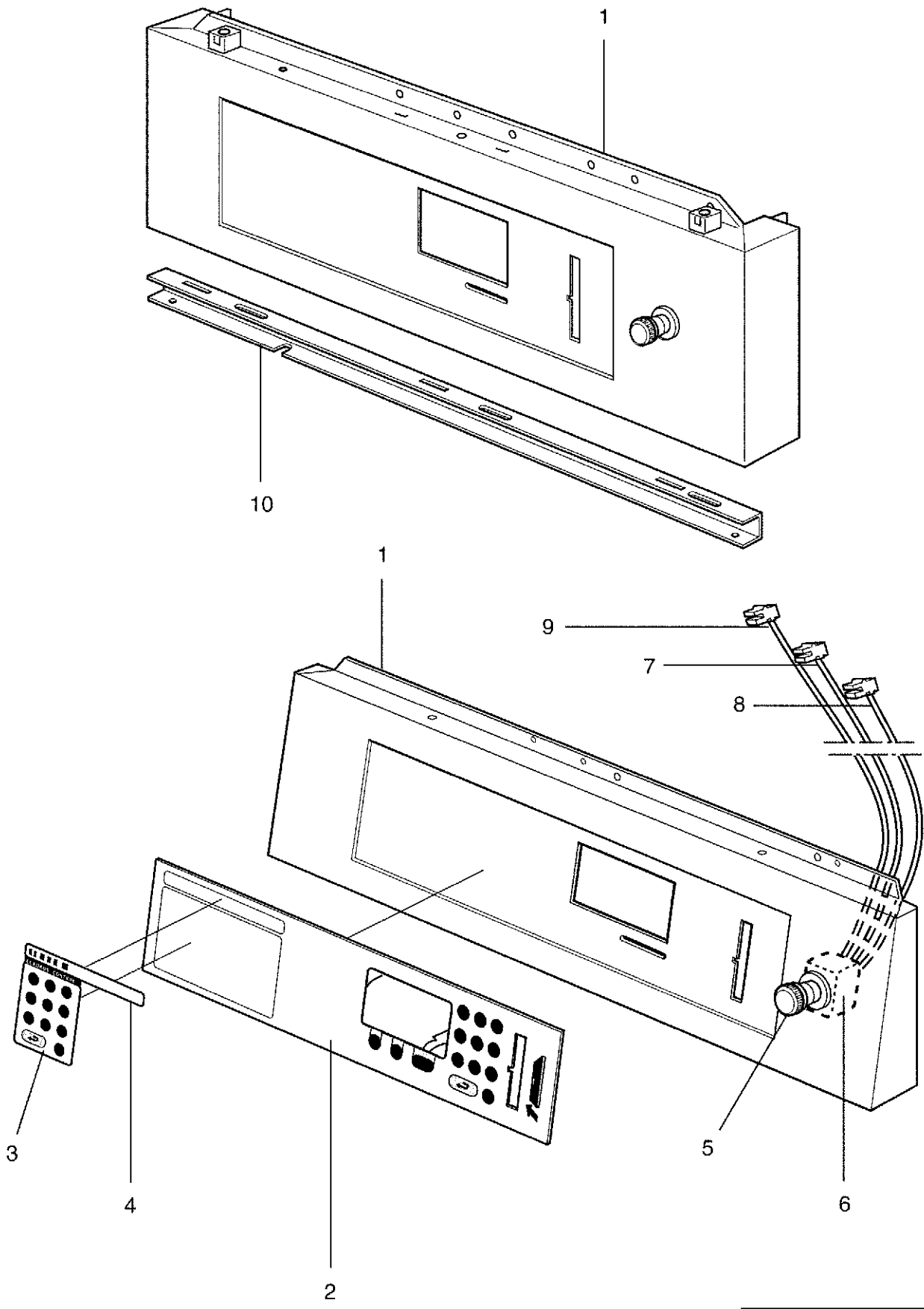
**EX655c,EX655s,FAS3240H,W3240H**

**Electrical components Exacta**

**Composants électriques Exacta**

Illustration Issue Month Year  
Schéma Issue Month Year  
**101928/2 8 5 2004**

Item Article	Qua. Qua.	Art.No Réf. article	Description	Description	Info Info	Notes Remarques
1	1	432 2167-01	Mounting plate	Plaque de montage	3	
2	1	471 8988-11	Printed circuit board	Circuit imprimé	1,2	
3	6	471 7958-02	Support	Support	3	
4	1	438 9555-11	Control unit	Organe de direction	1,2	230V -795/3769
	1	438 9555-12	Control unit	Organe de direction	1,2	120V -795/3769
	1	438 9564-01	Control unit	Organe de direction	1,2	795/3770-
5	1	471 9558-12	Transformer	Transformateur	1	
6	1	472 9913-43	Clamp	Bride de fixation	3	Kit 25 pcs
7	1	471 8861-01	Level guard	Limiteur de niveau	1,2	
8	1	432 3910-01	Protective cover	Couvercle de protection	3	Rear
9	1	432 3909-01	Protective cover	Couvercle de protection	3	Front
10	4	432 3907-01	Grommet	Oeillet	3	
11	2	432 3908-01	Grommet	Oeillet	3	
12	1	432 3082-47	Cable set	Jeu de câbles	3	X90-X45
13	1	432 3082-58	Cable set	Jeu de câbles	3	X31-X92
14	1	432 3182-94	Cable set	Jeu de câbles	3	X93
15	1	432 3087-05	Cable set	Jeu de câbles	3	X20-X172
16	1	432 3082-26	Cable set	Jeu de câbles	3	X33-X278
17	1	432 3082-42	Cable set	Jeu de câbles	3	X91-X178
18	1	432 3182-20	Cable set	Jeu de câbles	3	X94-X304 -795/3769
	1	432 3083-20	Cable set	Jeu de câbles	3	X94-X304 795/3770-
19	1	432 3082-51	Cable set	Jeu de câbles	3	X37-X302
20	1	432 3088-31	Cable set	Jeu de câbles	3	X36-X48
21	1	432 3087-31	Cable set	Ensemble de câbles	3	X35-X43
22	1	432 3184-03	Cable set	Jeu de câbles	3	X24-X301
23	1	432 3082-78	Cable set	Jeu de câbles	3	X23
24	1	432 3082-19	Cable set	Jeu de câbles	3	X22-X40
25	1	432 3086-93	Cable set	Jeu de câbles	3	X30
26	1	432 3082-89	Cable set	Jeu de câbles	3	X96
27	1	432 3086-10	Cable set	Jeu de câbles	3	X21
28	-					Not used



Issue	Month	Year
02	09	03

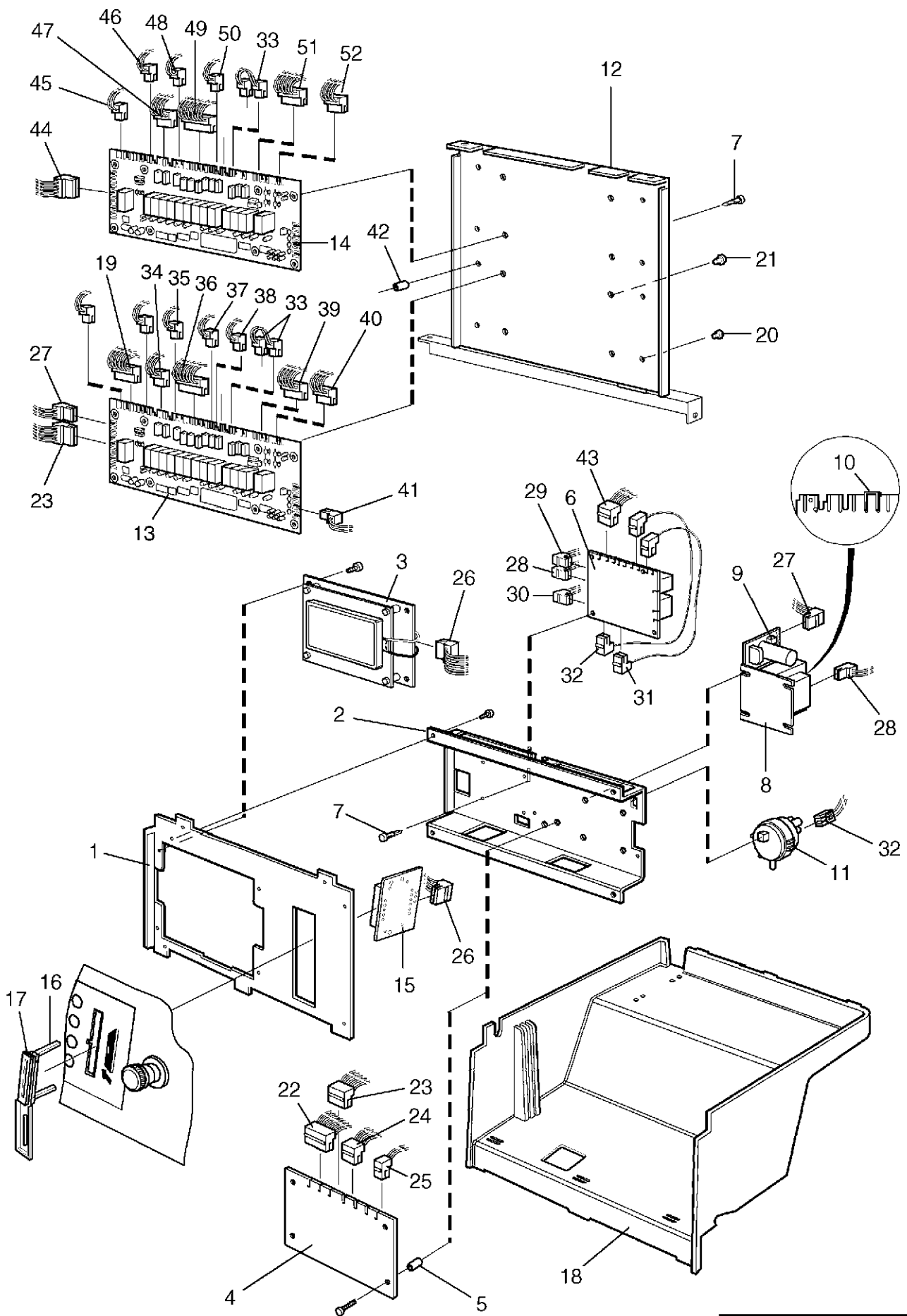
**EX655c,EX655s,FAS3240H,W3240H**

**Control panel Clarus**

**Pupitre de commande Clarus**

Illustration	Issue	Month	Year
Schéma	Issue	Month	Year
<b>101770/2</b>	<b>4</b>	<b>5</b>	<b>2004</b>

Item Article	Qua. Qua.	Art.No Réf. article	Description	Description	Info Info	Notes Remarques
<b>1</b>	1	<b>432 2027-01</b>	Front panel	Panneau avant	3	
<b>2</b>	1	<b>432 2750-01</b>	Control panel	Pupitre de commande	1,2	
<b>3</b>	1	<b>432 2630-01</b>	Instruction plate	Plaque instruction utilisation	3	Swedish
	1	<b>432 2630-02</b>	Instruction plate	Plaque instruction utilisation	3	English, Italian
	1	<b>432 2630-03</b>	Instruction plate	Plaque instruction utilisation	3	Japanese
	1	<b>432 2630-04</b>	Instruction plate	Plaque instruction utilisation	3	German
*	1	<b>432 2630-02</b>	Instruction plate	Plaque instruction utilisation	3	English, Italian
	1	<b>432 2630-06</b>	Instruction plate	Plaque instruction utilisation	3	Danish
*	1	<b>432 2630-02</b>	Instruction plate	Plaque instruction utilisation	3	English, Italian
*	1	<b>432 2630-06</b>	Instruction plate	Plaque instruction utilisation	3	Danish
	1	<b>432 2630-09</b>	Instruction plate	Plaque instruction utilisation	3	Spanish
	1	<b>432 2630-10</b>	Instruction plate	Plaque instruction utilisation	3	Polish
<b>4</b>	1	<b>432 2602-04</b>	Type plate	Numéro série plaque	3	W3240H
*	1	<b>432 2608-11</b>	Type plate	Numéro série plaque		EX655c
<b>5</b>	1	<b>471 9628-32</b>	Emergency stop	Arrêt d'urgence	1,2	
<b>6</b>	1	<b>471 9628-33</b>	Contact block	Bloc de connexion	1,2	
<b>7</b>	1	<b>432 3182-61</b>	Cable set	Jeu de câbles	3	A11-X16:1
<b>8</b>	1	<b>432 3182-72</b>	Cable set	Jeu de câbles	3	X278
<b>9</b>	1	<b>432 3182-78</b>	Cable set	Jeu de câbles	3	A11-X6



Issue	Month	Year
03	05	02



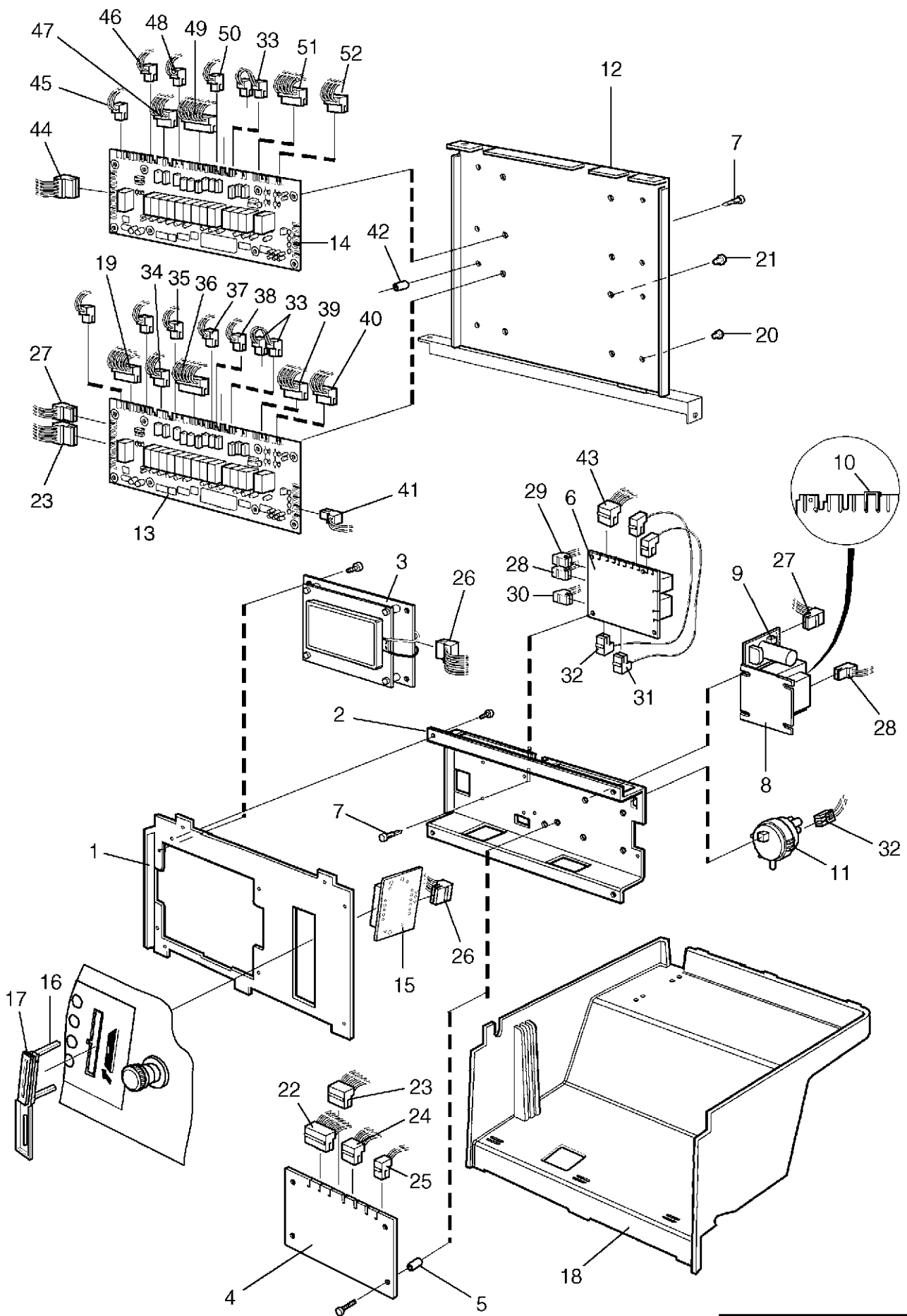
**EX655c,EX655s,FAS3240H,W3240H**

**Electrical components Clarus**

**Composants électriques Clarus**

Illustration Issue Month Year  
Schéma Issue Month Year  
**101765/3 9 5 2004**

Item Article	Qua. Qua.	Art.No Réf. article	Description	Description	Info Info	Notes Remarques
<b>1</b>	1	<b>432 2159-01</b>	Mounting plate	Plaque de montage	3	
<b>2</b>	1	<b>432 2160-01</b>	Mounting plate	Plaque de montage	3	
<b>3</b>	1	<b>471 8997-02</b>	Display	Ecran de contrôle	1,2	
<b>4</b>	1	<b>471 8993-01</b>	Printed circuit board	Circuit imprimé	1,2	Not configured
	1	<b>438 7160-01</b>	Printed circuit board	Circuit imprimé	1,2	7G01, 1 I/O-card English -795/3769
	1	<b>438 7132-02</b>	Printed circuit board	Circuit imprimé	1,2	7G01, 1 I/O-card English 795/3770-
	1	<b>438 7160-02</b>	Printed circuit board	Circuit imprimé	1,2	7G01, 1 I/O-card Swedish -795/3769
	1	<b>438 7132-01</b>	Printed circuit board	Circuit imprimé	1,2	7G01, 1 I/O-card Swedish 795/3770-
	1	<b>438 7160-03</b>	Printed circuit board	Circuit imprimé	1,2	7G02, 1 I/O-card English -795/3769
	1	<b>438 7132-03</b>	Printed circuit board	Circuit imprimé	1,2	7G02, 1 I/O-card English 795/3770-
	1	<b>438 7160-04</b>	Printed circuit board	Circuit imprimé	1,2	7W01 2 I/O-cards Swedish -795/3769
	1	<b>438 7160-05</b>	Printed circuit board	Circuit imprimé	1,2	7G01, 1 I/O-card Finnish -795/3769
	1	<b>438 7132-19</b>	Printed circuit board	Circuit imprimé	1,2	7G01, 1 I/O-card Finnish 795/3770-
	1	<b>438 7160-06</b>	Printed circuit board	Circuit imprimé	1,2	7W01 2 I/O-cards Norwegian -795/3769
	1	<b>438 7132-04</b>	Printed circuit board	Circuit imprimé	1,2	7W01 2 I/O-cards Norwegian 795/3770-
	1	<b>438 7160-07</b>	Printed circuit board	Circuit imprimé	1,2	7G01, 1 I/O-card German -795/3769
	1	<b>438 7132-05</b>	Printed circuit board	Circuit imprimé	1,2	7G01, 1 I/O-card German 795/3770-
	1	<b>438 7160-08</b>	Printed circuit board	Circuit imprimé	1,2	7G03, 1 I/O-card Japanese -795/3769
	1	<b>438 7160-09</b>	Printed circuit board	Circuit imprimé	1,2	7G02, 1 I/O-card USA -795/3769
	1	<b>438 7132-20</b>	Printed circuit board	Circuit imprimé	1,2	7G02, 1 I/O-card NON-HEATING, USA 795/3770-
	1	<b>438 7132-06</b>	Printed circuit board	Circuit imprimé	1,2	7G02, HW, 1 I/O-card NON- HEATING,USA 795/3770-
	1	<b>438 7160-10</b>	Printed circuit board	Circuit imprimé	1,2	7W01 2 I/O-cards Danish -795/3769
*	1	<b>438 7132-27</b>	Printed circuit board	Circuit imprimé	1,2	7W01 2 I/O-cards Danish
	1	<b>438 7160-11</b>	Printed circuit board	Circuit imprimé	1,2	7G01, 1 I/O-card Norwegian -795/3769
	1	<b>438 7132-07</b>	Printed circuit board	Circuit imprimé	1,2	7G01, 1 I/O-card Norwegian 795/3770-
	1	<b>438 7160-12</b>	Printed circuit board	Circuit imprimé	1,2	7G01, 1 I/O-card Italian -795/3769
	1	<b>438 7132-08</b>	Printed circuit board	Circuit imprimé	1,2	7G01, 1 I/O-card Italian 795/3770-
	1	<b>438 7160-13</b>	Printed circuit board	Circuit imprimé	1,2	7G01, 1 I/O-card Dutch -795/3769
	1	<b>438 7132-09</b>	Printed circuit board	Circuit imprimé	1,2	7G01, 1 I/O-card Dutch 795/3770-
	1	<b>438 7160-14</b>	Printed circuit board	Circuit imprimé	1,2	7W01 2 I/O-cards French -795/3769
	1	<b>438 7132-21</b>	Printed circuit board	Circuit imprimé	1,2	7W01, 1 I/O-card French 795/3770-
	1	<b>438 7160-15</b>	Printed circuit board	Circuit imprimé	1,2	7G01, 1 I/O-card French -795/3769



Issue	Month	Year
03	05	02

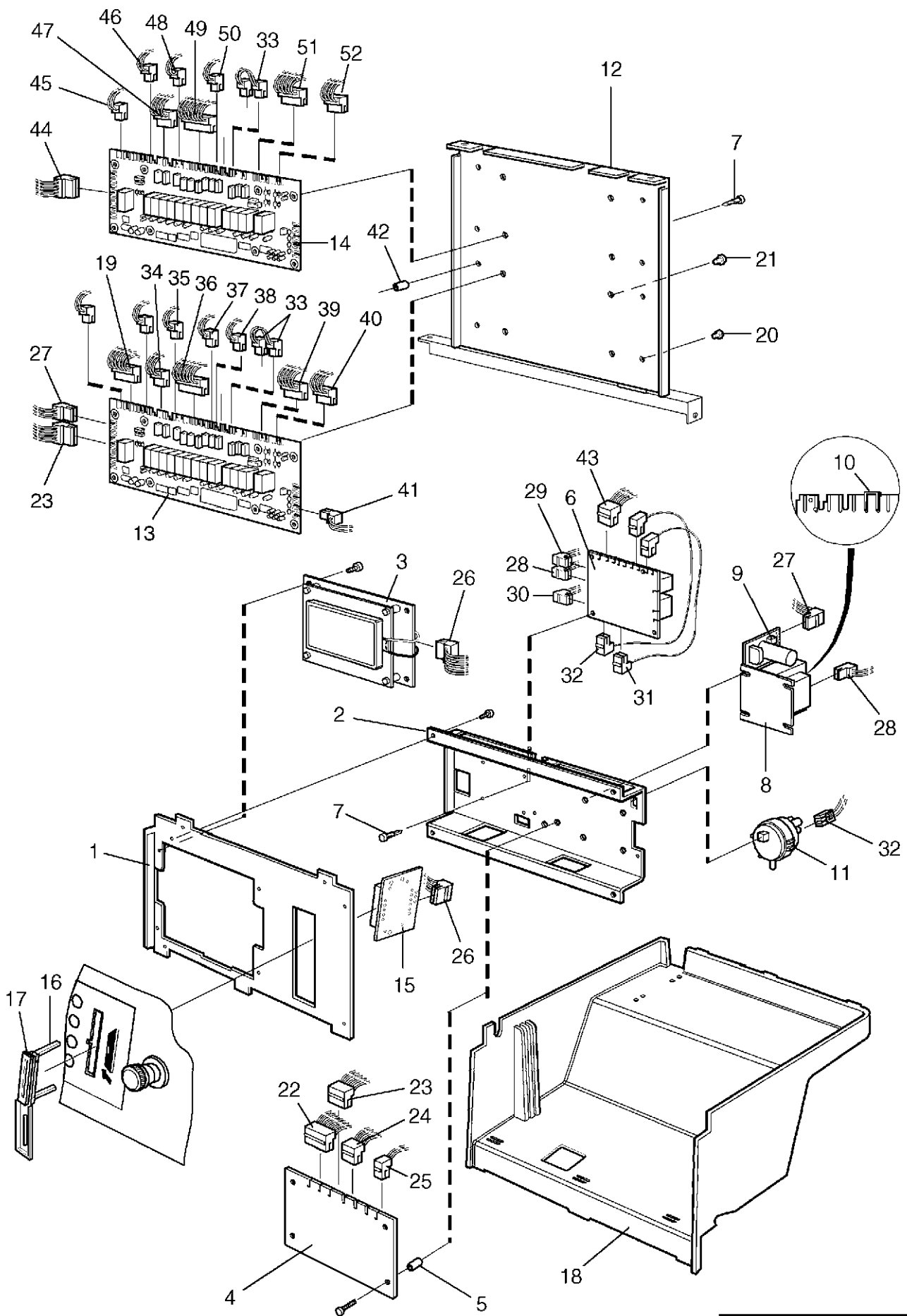
**EX655c,EX655s,FAS3240H,W3240H**

**Electrical components Clarus**

**Composants électriques Clarus**

Illustration Issue Month Year  
Schéma Issue Month Year  
**101765/3 9 5 2004**

Item Article	Qua. Qua.	Art.No Réf. article	Description	Description	Info Info	Notes Remarques
	1	<b>438 7132-10</b>	Printed circuit board	Circuit imprimé	1,2	7G01, 1 I/O-card French 795/3770-
	1	<b>438 7160-16</b>	Printed circuit board	Circuit imprimé	1,2	7W03, 2 I/O-card Japanese -795/3769
	1	<b>438 7160-17</b>	Printed circuit board	Circuit imprimé	1,2	7W01 2 I/O-cards Spanish -795/3769
	1	<b>438 7160-18</b>	Printed circuit board	Circuit imprimé	1,2	7G01, 1 I/O-card Danish -795/3769
	1	<b>438 7160-19</b>	Printed circuit board	Circuit imprimé	1,2	7W01 2 I/O-cards Dutch -795/3769
	1	<b>438 7132-11</b>	Printed circuit board	Circuit imprimé	1,2	7W01 2 I/O-cards Dutch 795/3770-
	1	<b>438 7160-20</b>	Printed circuit board	Circuit imprimé	1,2	7G03, 1 I/O-card Japanese -795/3769
	1	<b>438 7132-12</b>	Printed circuit board	Circuit imprimé	1,2	7G03, 1 I/O-card Japanese 795/3770-
	1	<b>438 7160-21</b>	Printed circuit board	Circuit imprimé	1,2	7W01 2 I/O-cards Danish -795/3769
	1	<b>438 7160-22</b>	Printed circuit board	Circuit imprimé	1,2	7W01 2 I/O-cards German -795/3769
	1	<b>438 7132-13</b>	Printed circuit board	Circuit imprimé	1,2	7W01 2 I/O-cards German 795/3770-
	1	<b>438 7160-23</b>	Printed circuit board	Circuit imprimé	1,2	7G01, 1 I/O-card Spanish -795/3769
	1	<b>438 7132-14</b>	Printed circuit board	Circuit imprimé	1,2	7G01, 1 I/O-card Spanish 795/3770-
	1	<b>438 7160-24</b>	Printed circuit board	Circuit imprimé	1,2	7W02, 2 I/O-cards USA -795/3769
	1	<b>438 7132-18</b>	Printed circuit board	Circuit imprimé	1,2	7W02, 2 I/O-cards NON- HEATING,USA 795/3770-
	1	<b>438 7160-25</b>	Printed circuit board	Circuit imprimé	1,2	7G01, 1 I/O-card Polish -795/3769
	1	<b>438 7160-26</b>	Printed circuit board	Circuit imprimé	1,2	7W01 2 I/O-cards Polish -795/3769
	1	<b>438 7160-27</b>	Printed circuit board	Circuit imprimé	1,2	7G01, HW, 1 I/O-card Spanish -795/3769
	1	<b>438 7160-28</b>	Printed circuit board	Circuit imprimé	1,2	7W01 2 I/O-cards English -795/3769
	1	<b>438 7132-15</b>	Printed circuit board	Circuit imprimé	1,2	7W01 2 I/O-cards English -795/3769
	1	<b>438 7160-29</b>	Printed circuit board	Circuit imprimé	1,2	7G01, 1 I/O-card English -795/3769
	1	<b>438 7132-16</b>	Printed circuit board	Circuit imprimé	1,2	7G01, HW, 1 I/O-card English 795/3770-
	1	<b>438 7160-30</b>	Printed circuit board	Circuit imprimé	1,2	7G02, 1 I/O-card USA -795/3769
	1	<b>438 7160-31</b>	Printed circuit board	Circuit imprimé	1,2	7G01, 1 I/O-card Czech -795/3769
	1	<b>438 7160-32</b>	Printed circuit board	Circuit imprimé	1,2	7W03 2 I/O-cards, DBS Japanese -795/3769
	1	<b>438 7160-33</b>	Printed circuit board	Circuit imprimé	1,2	7W01 2 I/O-cards, DBS German -795/3769
	1	<b>438 7160-34</b>	Printed circuit board	Circuit imprimé	1,2	7W01 2 I/O-cards, DBS Dutch -795/3769
	1	<b>438 7160-35</b>	Printed circuit board	Circuit imprimé	1,2	7G01, 1 I/O-card, DBS English -795/3769
	1	<b>438 7160-36</b>	Printed circuit board	Circuit imprimé	1,2	7G01, 1 I/O-card, DBS German -795/3769
	1	<b>438 7160-37</b>	Printed circuit board	Circuit imprimé	1,2	7G02, 1 I/O-card, DBS English -795/3769



Issue	Month	Year
03	05	02

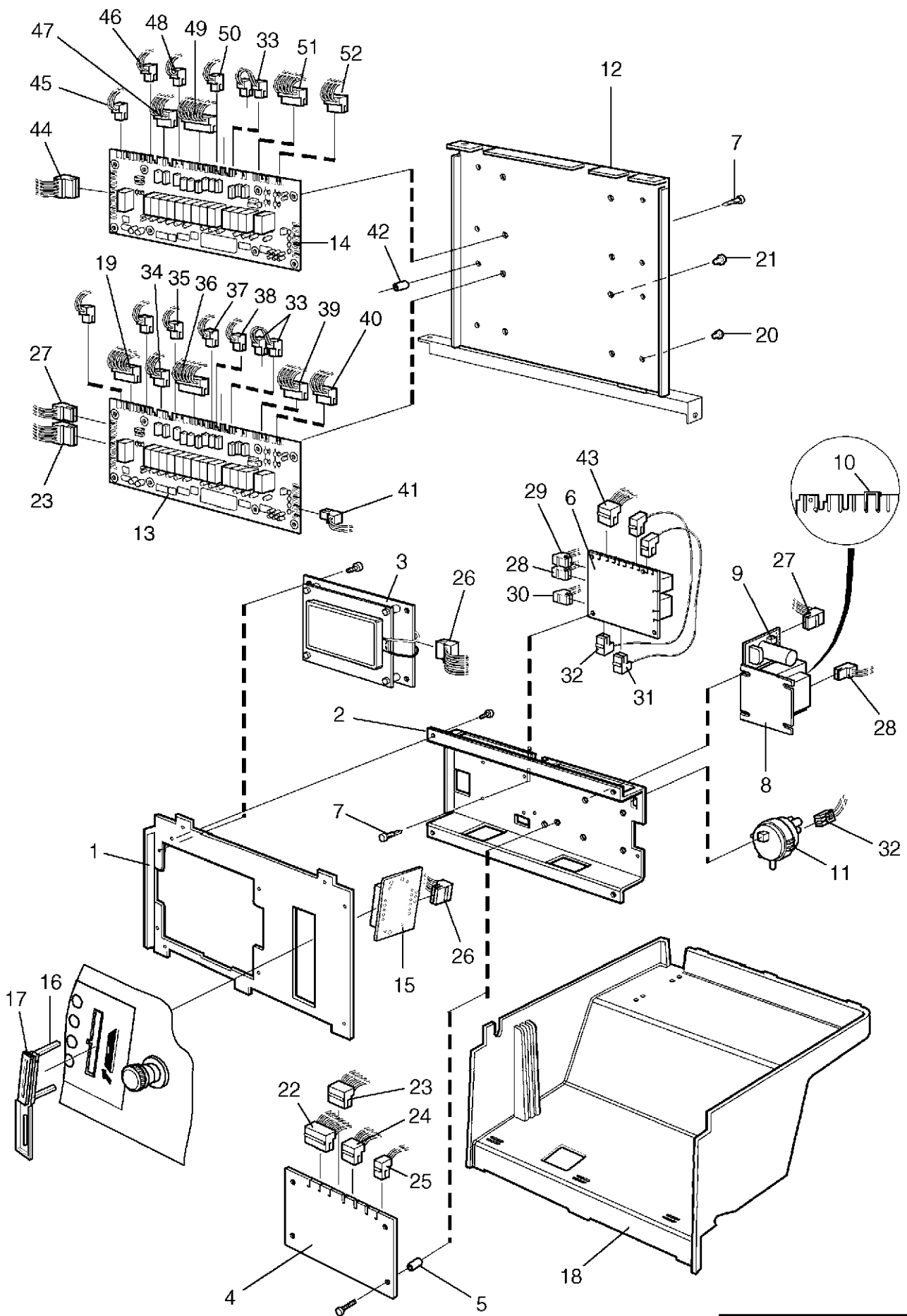
**EX655c,EX655s,FAS3240H,W3240H**

**Electrical components Clarus**

**Composants électriques Clarus**

Illustration Issue Month Year  
Schéma Issue Month Year  
**101765/3 9 5 2004**

Item Article	Qua. Qua.	Art.No Réf. article	Description	Description	Info Info	Notes Remarques
	1	<b>438 7160-38</b>	Printed circuit board	Circuit imprimé	1,2	7G02, 1 I/O-card, DBS USA -795/3769
	1	<b>438 7160-39</b>	Printed circuit board	Circuit imprimé	1,2	7W01 2 I/O-cards Finnish -795/3769
	1	<b>438 7160-40</b>	Printed circuit board	Circuit imprimé	1,2	7W01 2 I/O-cards Czech -795/3769
*	1	<b>438 7132-28</b>	Printed circuit board	Circuit imprimé	1,2	7W01 2 I/O-cards CZECHISH
	1	<b>438 7160-41</b>	Printed circuit board	Circuit imprimé	1,2	7W01 2 I/O-cards Italian -795/3769
	1	<b>438 7160-42</b>	Printed circuit board	Circuit imprimé	1,2	7W01 2 I/O-cards, DBS English -795/3769
	1	<b>438 7160-43</b>	Printed circuit board	Circuit imprimé	1,2	7G03, 1 I/O-card, DBS Japanese -795/3769
	1	<b>438 7160-44</b>	Printed circuit board	Circuit imprimé	1,2	7W02, 2 I/O-cards GB English -795/3769
	1	<b>438 7132-17</b>	Printed circuit board	Circuit imprimé	1,2	7W02, 2 I/O-cards GB English 795/3770-
	1	<b>438 7160-45</b>	Printed circuit board	Circuit imprimé	1,2	7G01, 1 I/O-card, DBS Italian -795/3769
	1	<b>438 7160-46</b>	Printed circuit board	Circuit imprimé	1,2	7W01, HW, 2 I/O-cards German -795/3769
<b>5</b>	4	<b>438 0299-01</b>	Spacer	Entretoise	3	
<b>6</b>	1	<b>438 9555-11</b>	Control unit	Organe de direction	1,2	230V -795/3769
	1	<b>438 9555-12</b>	Control unit	Organe de direction	1,2	120V -795/3769
	1	<b>438 9564-01</b>	Control unit	Organe de direction	1,2	795/3770-
<b>7</b>	Rq	<b>471 7958-02</b>	Support	Support	3	
<b>8</b>	1	<b>471 8792-01</b>	Transformer	Transformateur	3	
<b>9</b>	1	<b>471 8750-11</b>	•Fuse	•Porte-fusible	1,2	1,25A
<b>10</b>	1	<b>472 9913-43</b>	Clamp	Bride de fixation	3	Kit 25 pcs
<b>11</b>	1	<b>471 8861-01</b>	Level guard	Limiteur de niveau	1,2	
<b>12</b>	1	<b>432 2161-01</b>	Cover	Couvercle	3	
<b>13</b>	1	<b>471 8995-01</b>	Printed circuit board	Circuit imprimé	1,2	I/O-card Configured
<b>14</b>	1	<b>471 8995-02</b>	Printed circuit board	Circuit imprimé	1,2	I/O-card Configured
<b>15</b>	1	<b>471 8793-01</b>	Card reader	Lecteur de carte	1	
<b>16</b>	1	<b>432 0150-01</b>	Bracket	Pièce de retenue	3	
<b>17</b>	1	<b>432 0149-01</b>	Rubber cap	Capuchon caoutchouc	3	
<b>18</b>	1	<b>432 2162-02</b>	Protective cover	Couvercle de protection	3	
*	1	<b>432 3086-92</b>	Cable set	Jeu de câbles	3	A11X5
<b>20</b>	4		Plug	Fiche	3	Ø3,5
<b>21</b>	4		Plug	Bonde	3	Ø6,5
<b>22</b>	1	<b>432 3087-92</b>	Cable set	Jeu de câbles	3	A1X6-A2X6
<b>23</b>	1	<b>432 3085-15</b>	Cable set	Jeu de câbles	3	A11X2-A1X5
<b>24</b>	1	<b>432 3084-40</b>	Cable set	Jeu de câbles	3	A1X4-X301
<b>25</b>	1	<b>432 3082-77</b>	Cable set	Jeu de câbles	3	A1X1-Temp. sensor
<b>26</b>	1	<b>432 2981-01</b>	Cable set	Jeu de câbles	3	
<b>27</b>	1	<b>432 3083-75</b>	Cable set	Jeu de câbles	3	A11X3-X172
<b>28</b>	1	<b>432 3082-41</b>	Cable set	Jeu de câbles	3	X91-X178
<b>29</b>	1	<b>432 3082-59</b>	Cable set	Jeu de câbles	3	A11X4-X92
<b>30</b>	1	<b>432 3082-48</b>	Cable set	Jeu de câbles	3	X90-X45
<b>31</b>	1	<b>432 3082-21</b>	Cable set	Jeu de câbles	3	X94-X304
<b>32</b>	1	<b>432 3182-93</b>	Cable set	Jeu de câbles	3	X93
<b>33</b>	1	<b>432 3082-56</b>	Cable set	Jeu de câbles	3	X13-X12
<b>34</b>	1	<b>432 3083-30</b>	Cable set	Jeu de câbles	3	A11X7-X49
<b>35</b>	1	<b>432 3082-15</b>	Cable set	Jeu de câbles	3	A11X8-X47
<b>36</b>	1	<b>432 3087-20</b>	Cable set	Jeu de câbles	3	A11X9-X48
<b>37</b>	1	<b>432 3082-49</b>	Cable set	Jeu de câbles	3	A11X10-X302
<b>38</b>	1	<b>432 3082-43</b>	Cable set	Jeu de câbles	3	A11X11-X42
<b>39</b>	1	<b>432 3085-25</b>	Cable set	Jeu de câbles	3	A11X14-X43
<b>40</b>	1	<b>432 3084-16</b>	Cable set	Jeu de câbles	3	A11X15-X41



Issue	Month	Year
03	05	02

**EX655c,EX655s,FAS3240H,W3240H**

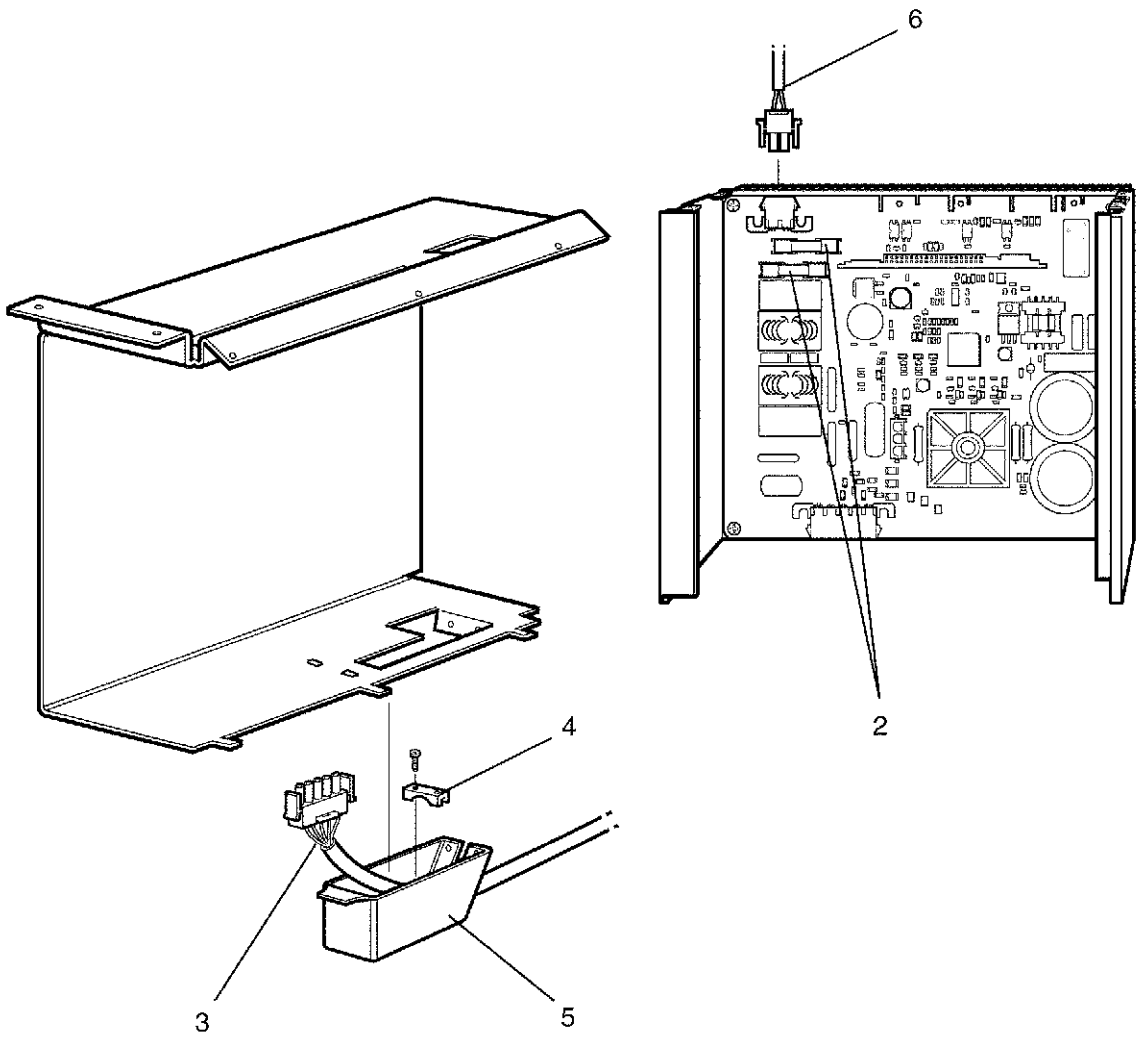
**Electrical components Clarus**

**Composants électriques Clarus**

Illustration Issue Month Year  
Schéma Issue Month Year  
**101765/3 9 5 2004**

Item Article	Qua. Qua.	Art.No Réf. article	Description	Description	Info Info	Notes Remarques
41	1	432 3082-18	Cable set	Jeu de câbles	3	A11X16:3-X40
42	4	438 0299-01	Spacer	Entretoise	3	
* 43	1	432 3082-90	Cable set	Jeu de câbles	3	X96
44	1	432 3085-04	Cable set	Jeu de câbles	3	A11X1-A12X2
45	1	432 3082-16	Cable set	Jeu de câbles	3	A12X4-X63
46	1	432 3082-50	Cable set	Jeu de câbles	3	A12X6-X69
47	1	432 3083-32	Cable set	Jeu de câbles	3	A12X7-X66
48	1	432 3082-17	Cable set	Jeu de câbles	3	A12X8-X65
49	1	432 3088-32	Cable set	Jeu de câbles	3	A12X9-X62
50	1	432 3182-02	Cable set	Jeu de câbles	3	A11X11-A12X10
51	1	432 3085-27	Cable set	Jeu de câbles	3	A12X14-X61
52	1	432 3084-25	Cable set	Jeu de câbles	3	A12X15-X60

①





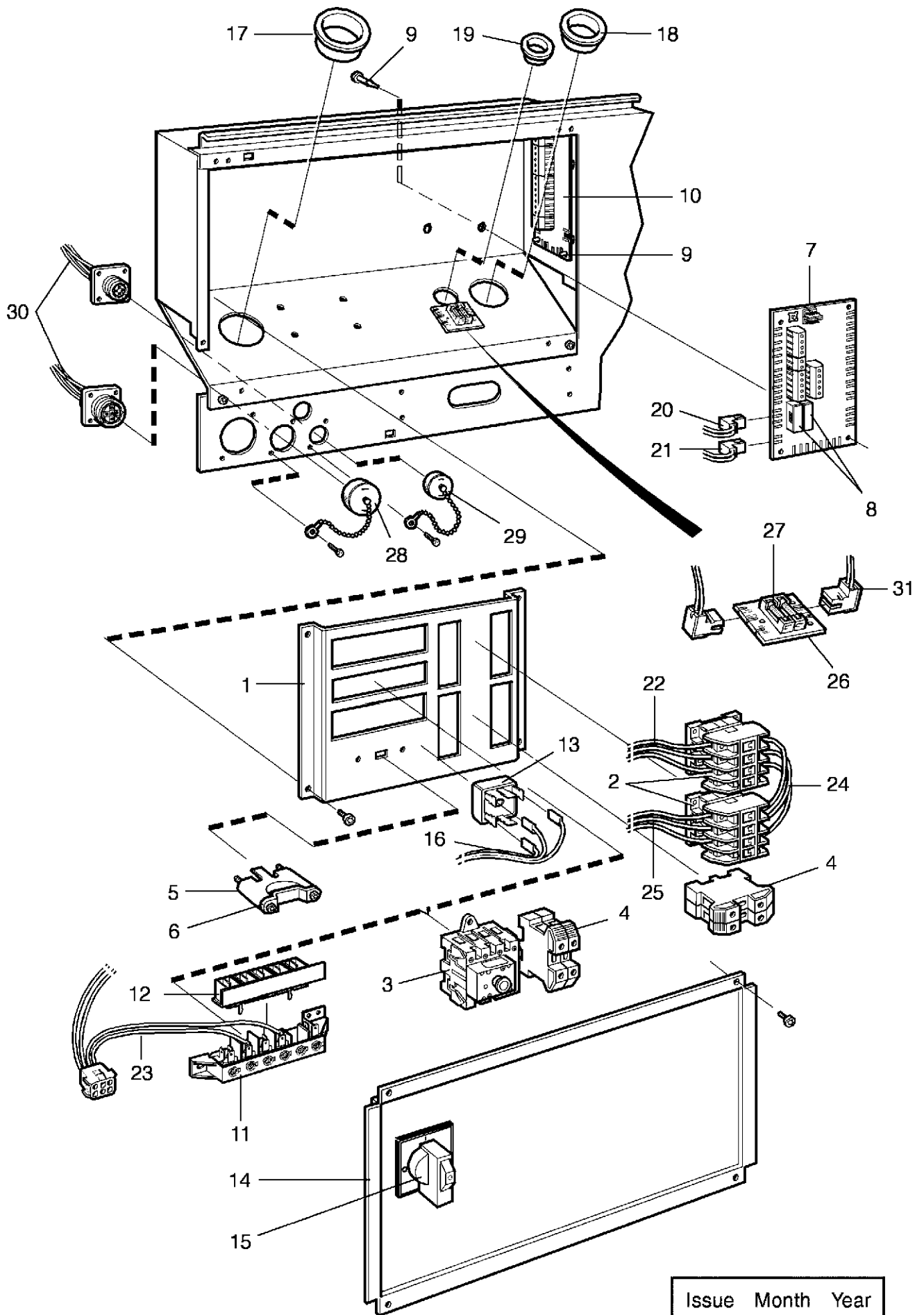
**EX655c,EX655s,FAS3240H,W3240H**

**Motor control**

**Controle du moteur**

Illustration	Issue	Month	Year
Schéma	Issue	Month	Year
<b>101766/1</b>	<b>6</b>	<b>12</b>	<b>2003</b>

Item Article	Qua. Qua.	Art.No Réf. article	Description	Description	Info Info	Notes Remarques
<b>1</b>	1	<b>471 9778-01</b>	Motor control	Controle du moteur	1	200-240V Complete -795/3769
	1	<b>471 9784-01</b>	Motor control	Controle du moteur	1	200-240V Complete 795/3770-
<b>2</b>	2	<b>471 8768-03</b>	•Fuse	•Porte-fusible	1,2	20A
<b>3</b>	1		Cable set	Jeu de câbles		See motor
<b>4</b>	1	<b>438 9799-02</b>	Clamp	Attache	3	
<b>6</b>	1	<b>432 2960-02</b>	Cable set	Jeu de câbles	3	Main switch
	1	<b>432 2960-04</b>	Cable set	Jeu de câbles	3	1AC Terminal block



Issue	Month	Year
01	10	02

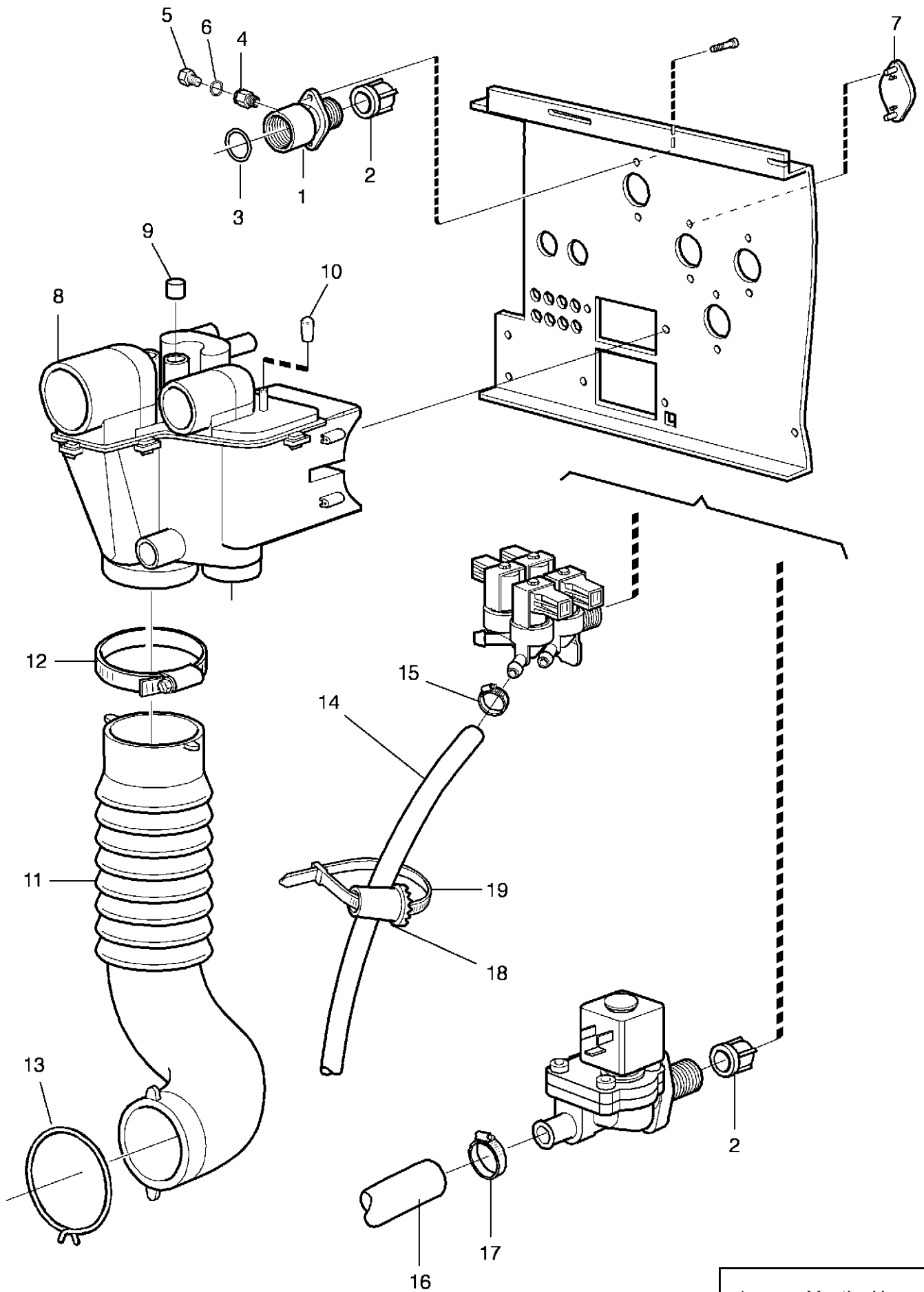
**EX655c,EX655s,FAS3240H,W3240H**

**Electric components connection**

**Composants électriques raccordement électrique**

Illustration Issue Month Year  
Schéma Issue Month Year  
**101791/3 6 4 2002**

Item Article	Qua. Qua.	Art.No Réf. article	Description	Description	Info Info	Notes Remarques
1	1	432 2154-01	Mounting plate	Plaque de montage	3	
2	2	471 9635-11	Contactactor	Relais	1,2	50Hz 400-415V
	2	471 9635-10	Contactactor	Relais	1,2	60Hz 400-415V
	2	438 9635-11	Contactactor	Relais	1,2	50Hz 230V
	2	438 9635-10	Contactactor	Relais	1,2	60Hz 230V
3	1	438 9678-04	Main switch	Main switch	1	3-pole, 70A
	1	438 9678-12	Main switch	Main switch	1	4-pole, 40A
	1	438 9678-14	Main switch	Main switch	1	4-pole, 70A
4	2	471 8767-01	Block	Bloc de connexion	3	
5	1	471 7859-12	Clamp	Attache	3	Lower part
6	1	471 7859-16	Clamp	Attache	3	Upper part
7	1	438 8786-02	Printed circuit board	Circuit imprimé	1,2	Clarus
	1	438 8785-01	Printed circuit board	Circuit imprimé	1,2	Exacta
8	2	471 8750-11	•Fuse	•Porte-fusible	1,2	1,25A
9	Rq	471 7958-02	Support	Support	3	
10	1	438 8787-01	Printed circuit board	Circuit imprimé	1,2	Clarus
11	1	471 8759-01	Block	Cale	3	
12	1	471 8759-51	Cover	Couvercle	3	
13	1	471 9573-02	Rectifier	Redresseur	1,2	
14	1	432 2156-01	Cover	Couvercle	3	With hole
	1	432 2156-02	Cover	Couvercle	3	Without hole
15	1	471 9678-94	Knob	Bouton	1	
16	1	432 2960-03	Cable set	Jeu de câbles	3	3AC
17	1	762 1215-10	Grommet	Oeillet	3	Ø48/35mm
18	1	762 1215-10	Grommet	Oeillet	3	Ø48/35mm
19	1	762 1182-10	Grommet	Oeillet	3	Ø22,2MM
20	1	432 3082-86	Cable set	Jeu de câbles	3	X44-L1, N/L2
21	1	432 3182-52	Cable set	Jeu de câbles	3	X46
22	3	432 2954-13	Cable set	Jeu de câbles	3	230V
	3	432 2954-14	Cable set	Jeu de câbles	3	400V
23	1	432 2986-01	Cable set	Jeu de câbles	3	
	1	432 2976-01	Cable set	Jeu de câbles	3	Marine, transformer T2
24	2	432 2984-01	Cable set	Jeu de câbles	3	
25	3	432 2954-11	Cable set	Jeu de câbles	3	400V
	3	432 2954-13	Cable set	Jeu de câbles	3	230V
26	1	438 8797-01	Printed circuit board	Circuit imprimé	1,2	
27	2	471 8750-11	•Fuse	•Porte-fusible	1,2	1,25A
28	1	438 7950-02	Cover washer	Rondelle protection	3	14-pole
29	1	438 7950-01	Cover washer	Rondelle protection	3	4-pole
30	1	432 2945-01	Cables	Câble	3	
31	1	432 3082-25	Cable set	Jeu de câbles	3	X44-X144



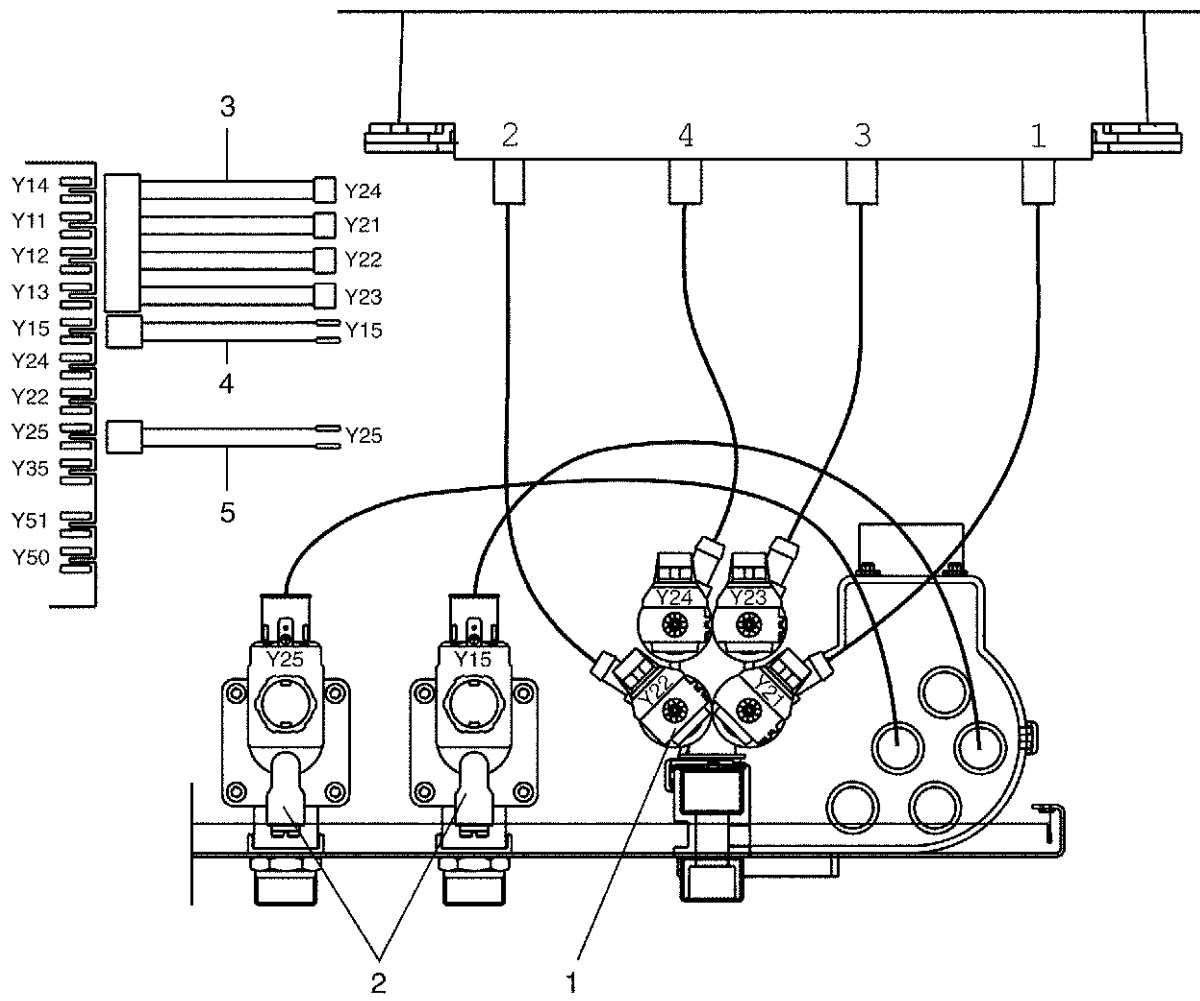
**EX655c,EX655s,FAS3240H,W3240H**

**Water connections**

Illustration Issue Month Year  
Schéma Issue Month Year  
**101790/3 4 8 2001**

**Raccords d'eau**

Item Article	Qua. Qua.	Art.No Réf. article	Description	Description	Info Info	Notes Remarques
<b>1</b>	1	<b>438 0056-03</b>	Nipple	Raccord	3	Black, 3/4"
	1	<b>438 0056-04</b>	Nipple	Raccord	3	White, 3/4", USA
<b>2</b>	Rq	<b>471 8693-21</b>	Filter	Filtre	3	
<b>3</b>	1	<b>471 8199-01</b>	Gasket	Joint	3	
<b>4</b>	1	<b>471 8688-13</b>	Nipple	Raccord	3	1/8"
<b>5</b>	1	<b>741 5109-25</b>	Plug	Fiche	3	El-drain
<b>6</b>	1	<b>740 4206-00</b>	O-ring	Joint torique	3	El-drain
<b>7</b>	Rq	<b>472 6761-01</b>	Cover washer	Rondelle protection	3	
<b>8</b>	1	<b>432 2301-01</b>	Siphon breaker	Rupteur de siphon	3	
<b>9</b>	Rq	<b>471 8175-01</b>	Plug	Fiche	3	
<b>10</b>	1	<b>471 8644-02</b>	Plug	Fiche	3	El-drain
<b>11</b>	1	<b>432 2306-01</b>	Hose	Flexible	1	
<b>12</b>	1	<b>736 2846-51</b>	Hose clamp	Attache flexible	3	Ø73-83
<b>13</b>	1	<b>471 7871-04</b>	Hose clamp	Attache flexible	3	
<b>14</b>	Rq	<b>877 5211-08</b>	Hose	Flexible	1	Per 1 m
<b>15</b>	Rq	<b>736 2816-51</b>	Hose clamp	Attache flexible	3	Ø13-19
<b>16</b>	Rq	<b>432 2308-01</b>	Hose	Flexible	1	
<b>17</b>	Rq	<b>736 2825-51</b>	Hose clamp	Attache flexible	3	Ø32
<b>18</b>	1	<b>471 4792-01</b>	Tool	Outil	3	
<b>19</b>	1	<b>762 9102-05</b>	Cable tie	Collier de serrage	3	



Issue	Month	Year
01	03	00

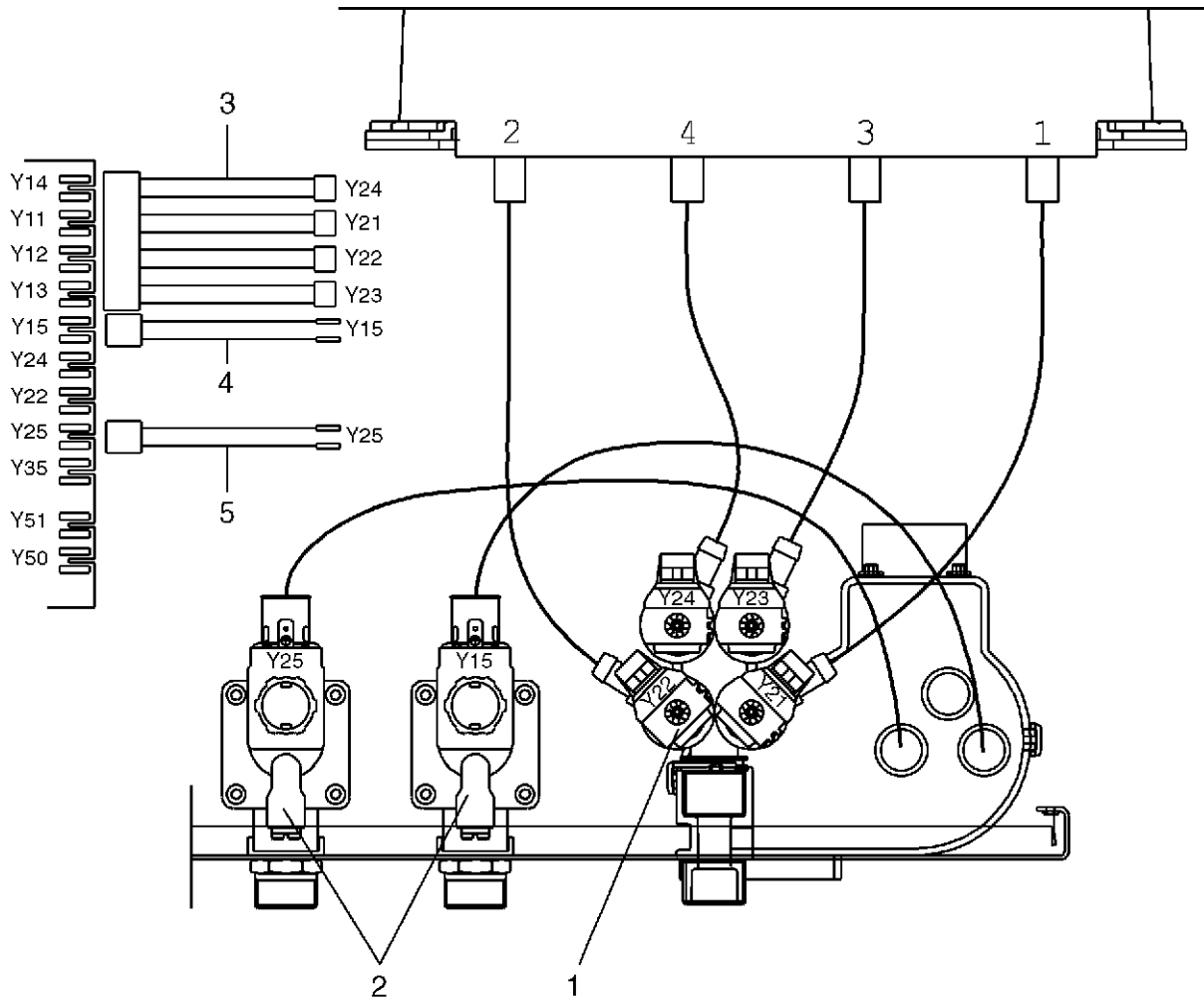
**EX655c,EX655s,FAS3240H,W3240H**

**Inlet valves and cable set**

Illustration Issue Month Year  
Schéma Issue Month Year  
**101792/1 3 11 2000**

**Inlet valves and cable set**

Item Article	Qua. Qua.	Art.No Réf. article	Description	Description	Info Info	Notes Remarques
<b>1</b>	1	<b>471 8240-63</b>	Valve	Soupape	1,2	4-way
	1	<b>471 8240-69</b>	Valve	Soupape	1,2	60Hz 4-way USA
	1	<b>471 6860-15</b>	•Coil	•Bobine	1,2	120V Green
	1	<b>471 6860-16</b>	•Coil	•Bobine	1,2	120V Orange
	1	<b>471 6860-17</b>	•Coil	•Bobine	1,2	120V White
	1	<b>471 8240-90</b>	•Coil	•Bobine	1,2	120V Grey
	1	<b>471 6860-18</b>	•Coil	•Bobine	1,2	Green
	1	<b>471 6860-19</b>	•Coil	•Bobine	1,2	Orange
	1	<b>471 6860-20</b>	•Coil	•Bobine	1,2	White
	1	<b>471 8240-91</b>	•Coil	•Bobine	1,2	Grey
	<b>2</b>	2	<b>471 8210-70</b>	Valve	Soupape	1,2
2		<b>471 8210-79</b>	•Coil	•Bobine	1,2	50/60 Hz
2		<b>471 8210-71</b>	Valve	Soupape	1,2	60Hz USA
2		<b>471 8210-78</b>	•Coil	•Bobine	1,2	60Hz USA
<b>3</b>	1	<b>432 3088-51</b>	Cable set	Jeu de câbles	3	X53:D-
<b>4</b>	1	<b>432 3182-46</b>	Cable set	Jeu de câbles	3	X53:C-
<b>5</b>	1	<b>432 3182-45</b>	Cable set	Jeu de câbles	3	X53:A-





**EX655c,EX655s,FAS3240H,W3240H**

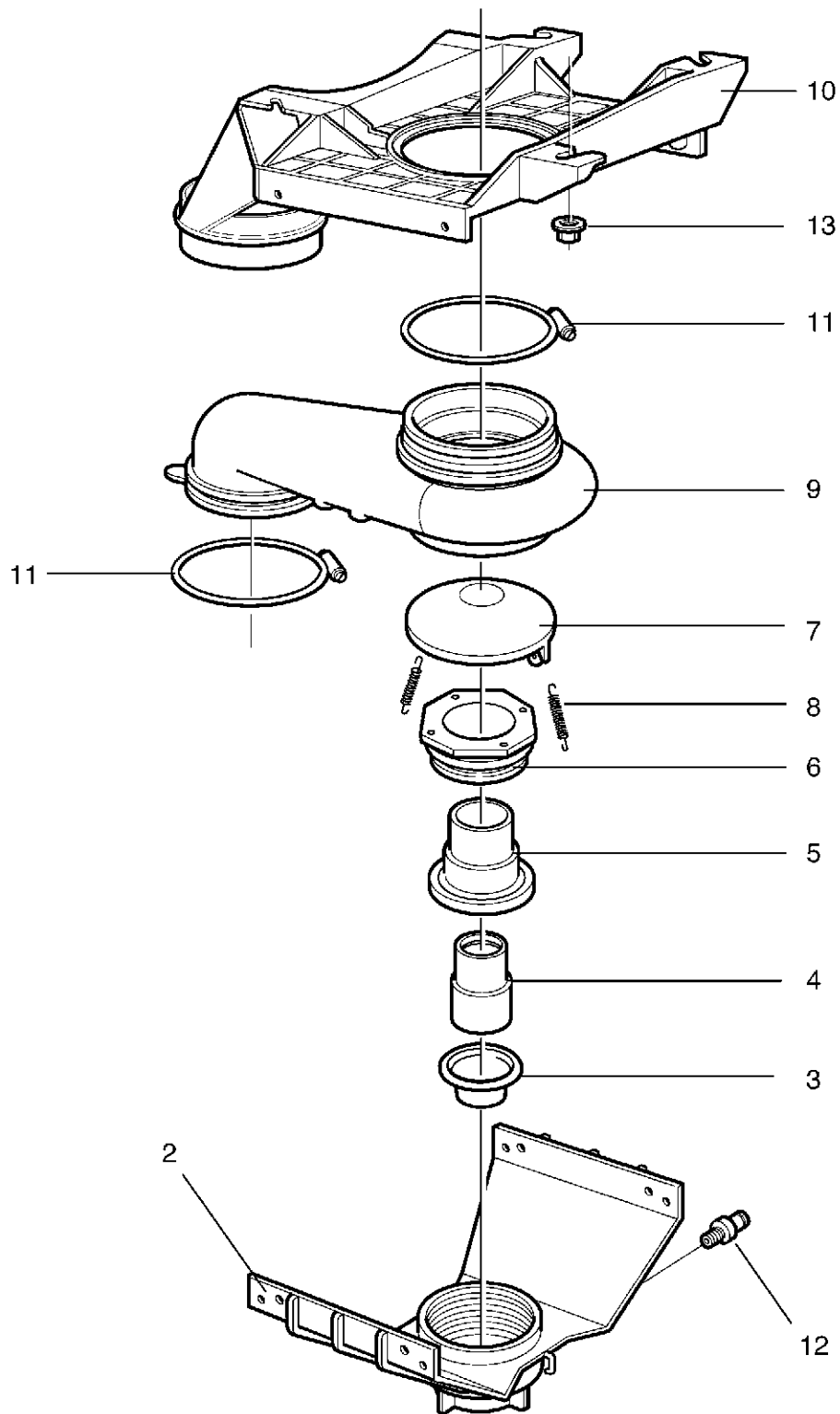
**Inlet valves and cable set**

Illustration Issue Month Year  
Schéma Issue Month Year  
**102195/1 1 2 2003**

**Inlet valves and cable set**

Item Article	Qua. Qua.	Art.No Réf. article	Description	Description	Info Info	Notes Remarques
<b>1</b>	1	<b>471 8240-69</b>	Valve	Soupape	1,2	60Hz 4-way
	1	<b>471 6860-18</b>	•Coil	•Bobine	1,2	Green
	1	<b>471 6860-19</b>	•Coil	•Bobine	1,2	Orange
	1	<b>471 6860-20</b>	•Coil	•Bobine	1,2	White
	1	<b>471 8240-91</b>	•Coil	•Bobine	1,2	Grey
<b>2</b>	2	<b>471 8234-52</b>	Valve	Soupape	1,2	208-240V 60Hz
	2	<b>471 6860-18</b>	•Coil	•Bobine	1,2	Green
	2	<b>471 6860-19</b>	•Coil	•Bobine	1,2	Orange
	2	<b>471 6860-20</b>	•Coil	•Bobine	1,2	White
<b>3</b>	1	<b>432 3088-51</b>	Cable set	Jeu de câbles	3	X53:D-
<b>4</b>	1	<b>432 3182-46</b>	Cable set	Jeu de câbles	3	X53:C-
<b>5</b>	1	<b>432 3182-45</b>	Cable set	Jeu de câbles	3	X53:A-

1



Issue	Month	Year
03	04	04

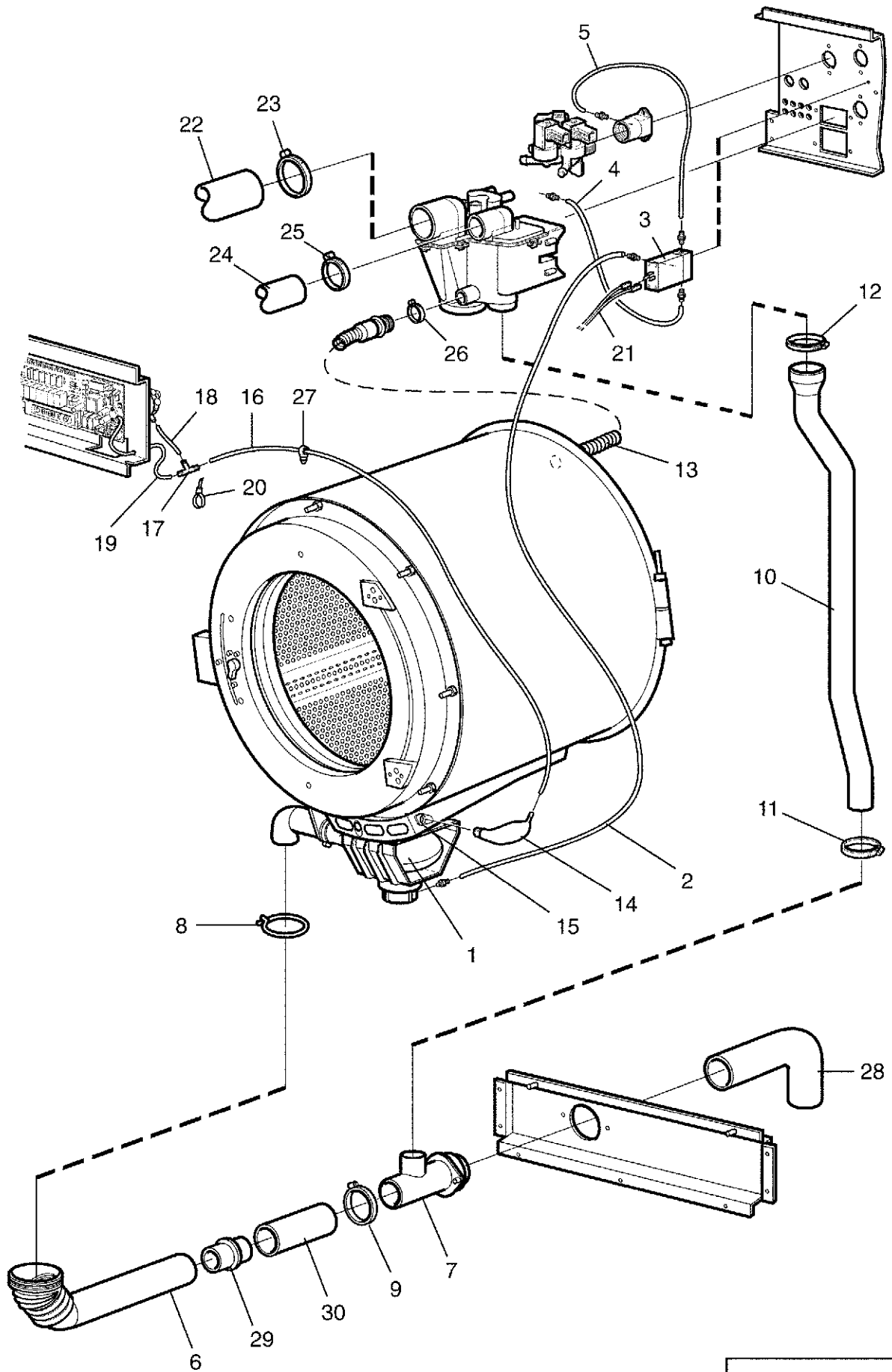
**EX655c,EX655s,FAS3240H,W3240H**

**Drain valve**

**Purgeur**

Illustration Issue Month Year  
Schéma Issue Month Year  
**101772/3 2 4 2004**

Item Article	Qua. Qua.	Art.No Réf. article	Description	Description	Info Info	Notes Remarques
<b>1</b>	1	<b>432 2502-01</b>	Drain valve	Purgeur	1,2	
<b>2</b>	1	<b>438 0051-01</b>	•Lower frame	•Châssis inférieur	3	
<b>3</b>	1	<b>471 8195-01</b>	•Diaphragm	•Diaphragme	1,2	
<b>4</b>	1	<b>438 0054-01</b>	•Piston	•Piston	3	
<b>5</b>	1	<b>438 0053-01</b>	•Housing	•Logement	3	
<b>6</b>	1	<b>438 0055-01</b>	•Gland	•Presse-étoupe	3	
<b>7</b>	1	<b>438 0052-01</b>	•Cover	•Couvercle	3	
<b>8</b>	2	<b>471 7801-07</b>	•Spring	•Ressort	1	
<b>9</b>	1	<b>432 2505-01</b>	•Hose housing	•Logement de flexible	1,2	
<b>10</b>	1	<b>432 2501-01</b>	•Upper frame	•Partie supérieure	3	
<b>11</b>	2	<b>471 7871-04</b>	•Hose clamp	•Attache flexible	3	
<b>12</b>	1	<b>471 8688-13</b>	•Nipple	•Raccord	1	1/8"
<b>* 13</b>	4	<b>471 8404-03</b>	Nut	Écrou	3	M6 Stainless



Issue	Month	Year
06	04	03

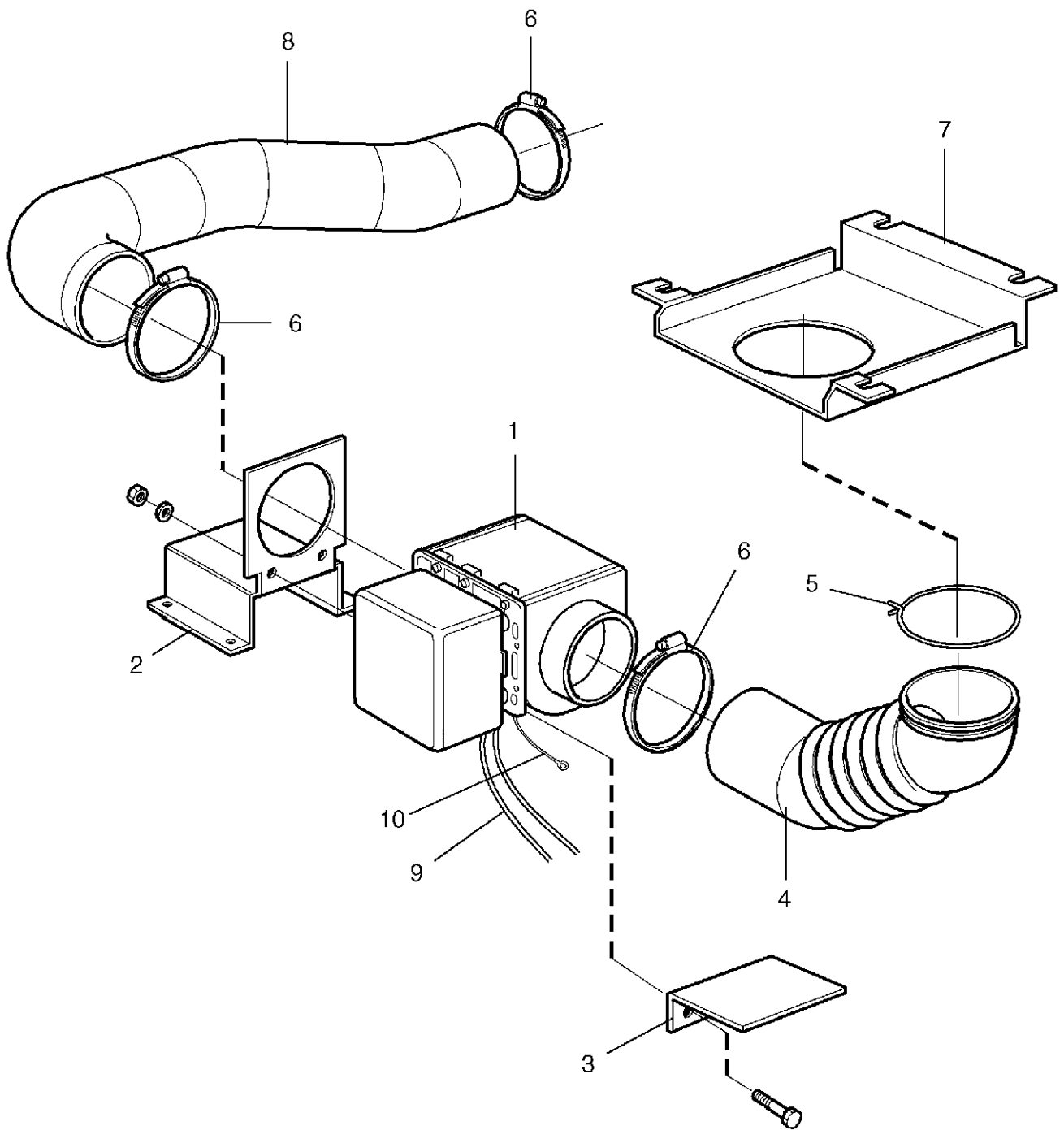
**EX655c,EX655s,FAS3240H,W3240H**

**Drain valve and hoses**

Illustration Issue Month Year  
Schéma Issue Month Year  
**101767/5 4 6 2003**

**Purgeur et flexible**

Item Article	Qua. Qua.	Art.No Réf. article	Description	Description	Info Info	Notes Remarques
1	1	432 2502-01	Drain valve	Purgeur	1,2	
2	1	471 8139-16	Hose	Flexible	1	L=2250
3	1	471 8243-04	Solenoid valve	Electrovanne	1,2	230V 50Hz -795/2474
	1	471 8243-07	Solenoid valve	Électrovanne	1,2	230V 50Hz 795/2475-
	1	471 8243-05	Solenoid valve	Electrovanne	1,2	208-240V 60Hz -795/2474
	1	471 8243-08	Solenoid valve	Électrovanne	1,2	208-240V 60Hz 795/2475-
4	1	471 8139-01	Hose	Flexible	1	L=330 -795/2474
	1	438 8102-06	Hose	Flexible	1,2	L=330 795/2475-
5	1	471 8139-01	Hose	Flexible	1	L=330
* 6	1	432 2516-02	Hose	Flexible	1	
7	1	432 2511-01	Drain pipe connection	Raccord de vidange	3	
8	1	471 7871-07	Hose clamp	Attache flexible	3	
9	4	736 2846-51	Hose clamp	Attache flexible	3	Ø73-83
10	1	432 2521-03	Hose	Flexible	1	
11	1	736 2837-51	Hose clamp	Attache flexible	3	Ø48-54
12	1	736 2837-51	Hose clamp	Attache flexible	3	Ø48-54
13	1	432 2508-02	Hose	Flexible	1	
14	1	432 2507-01	Air tube	Tube coudé	1	
15	1	432 2506-01	Connection	Connexion	3	
16	1	471 8118-07	Hose	Flexible	1	L=1275
17	1	471 2265-69	T-pipe	Tube en T	3	
18	1	471 2442-42	Hose	Flexible	1,2	L=120 Clarus
19	1	471 2464-18	Hose	Flexible	1	L=280 Clarus
20	1	471 7873-02	Cable tie	Collier de serrage	3	
21	1	432 3182-43	Cable set	Jeu de câbles	3	X50
22	1	471 8128-62	Hose	Flexible	1	
23	2	736 2840-51	Hose clamp	Attache flexible	3	Ø50-63
24	1	471 8124-05	Hose	Flexible	1	
25	2	736 2831-51	Hose clamp	Attache flexible	3	Ø36-42
26	1	736 2825-51	Hose clamp	Attache flexible	3	Ø32
27	3	471 7887-01	Clip	Colliers de serrage	3	
28	1	471 4835-01	Drain hose	Flexible de vidange	1	Ø75
29	1	438 0083-01	Joint sleeve	Couvre-joint	3	
30	1	471 8128-54	Hose	Flexible	3	



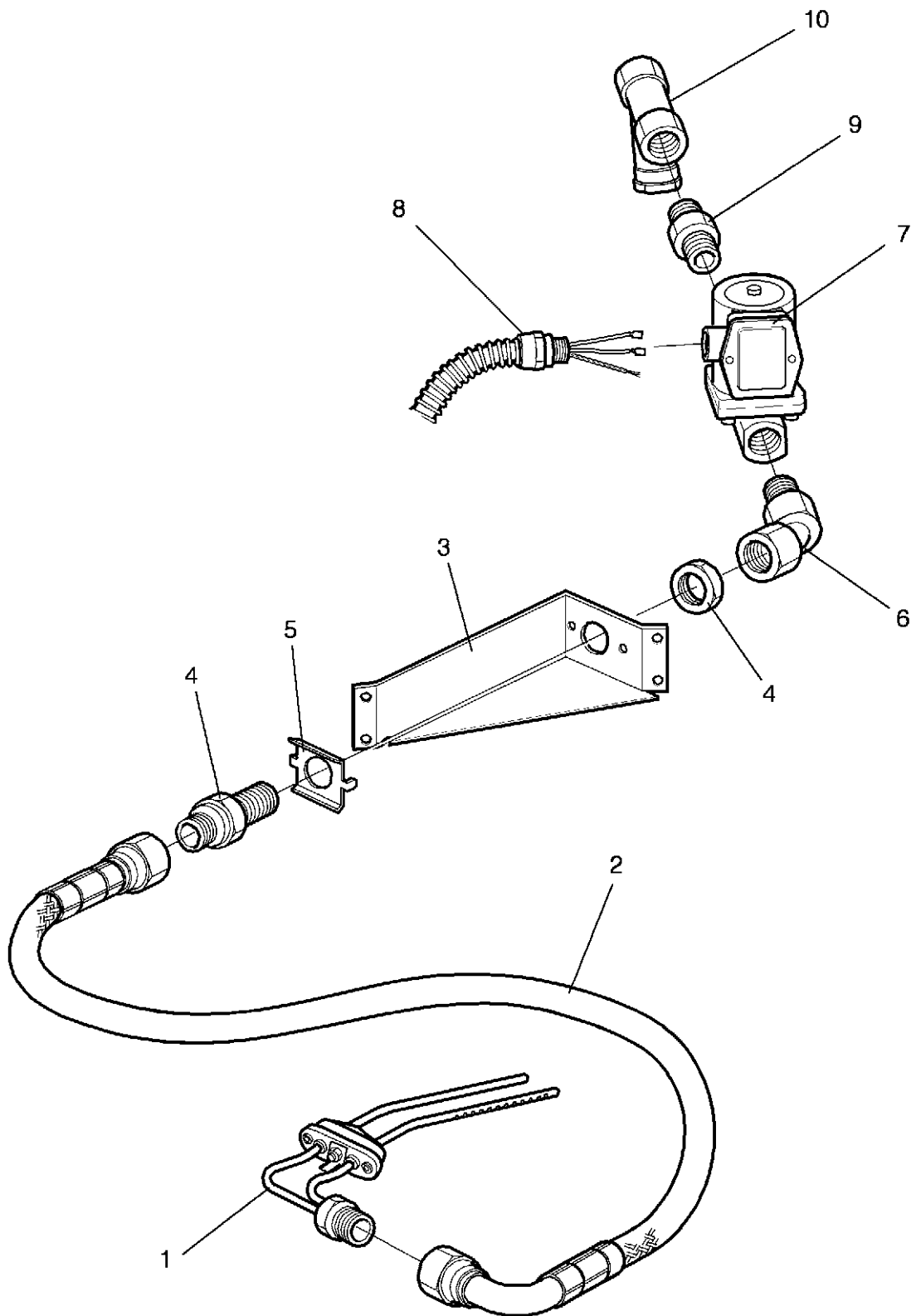
**EX655c,EX655s,FAS3240H,W3240H**

**Drain valve, electrical**

Illustration Issue Month Year  
Schéma Issue Month Year  
**101924/2 4 1 2004**

**Drain valve, electrical**

Item Article	Qua. Qua.	Art.No Réf. article	Description	Description	Info Info	Notes Remarques
<b>1</b>	1	<b>471 8215-01</b>	Drain valve	Purgeur	1,2	50/60Hz
<b>2</b>	1	<b>432 2548-01</b>	Cover	Couvercle	3	
<b>3</b>	1	<b>432 2531-01</b>	Mounting plate	Plaque de montage	3	
<b>4</b>	1	<b>432 2537-01</b>	Support	Support	3	
<b>5</b>	1	<b>432 2516-05</b>	Hose	Flexible	1	
<b>6</b>	1	<b>471 7871-07</b>	Hose clamp	Attache flexible	3	
<b>7</b>	3	<b>736 2846-51</b>	Hose clamp	Attache flexible	3	Ø73-83
<b>8</b>	1	<b>432 2534-01</b>	Mounting plate	Plaque de montage	3	
<b>9</b>	1	<b>432 2518-04</b>	Hose	Flexible	1	
<b>10</b>	1	<b>432 2903-02</b>	Cable set	Jeu de câbles	3	
	1	<b>432 2982-10</b>	Ground cable	Câble mise terre	3	





**EX655c,EX655s,FAS3240H,W3240H**

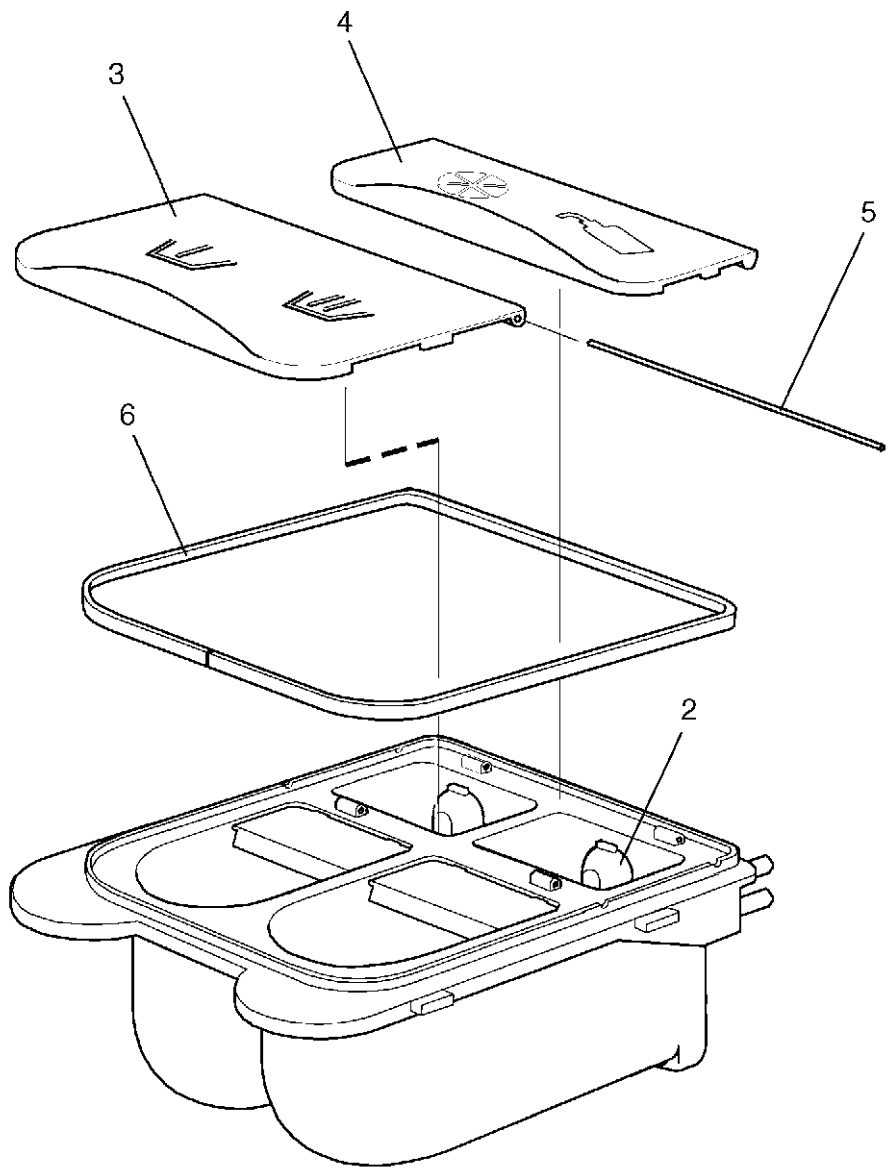
**Steam components**

Illustration Issue Month Year  
Schéma Issue Month Year  
**101918/1 3 6 2003**

**Composants**

Item Article	Qua. Qua.	Art.No Réf. article	Description	Description	Info Info	Notes Remarques
<b>1</b>	1	<b>432 1631-01</b>	Steam injector	Injecteur de vapeur	3	
<b>2</b>	1	<b>471 8126-38</b>	Steam hose	Tuyau flexible de vapeur	1	
<b>3</b>	1	<b>432 1673-01</b>	Bracket	Pupitre	3	
<b>4</b>	1	<b>471 8695-01</b>	Nipple	Raccord	3	
<b>5</b>	1	<b>471 2937-01</b>	Bracket	Support	3	
<b>6</b>	1	<b>471 8697-01</b>	Adapter	Adaptateur	3	
<b>7</b>	1	<b>471 8279-03</b>	Valve	Soupape	1,2	50/60 Hz
	1	<b>471 8279-08</b>	•Repair kit	•Kit de réparation	1,2	
<b>8</b>	1	<b>432 2958-01</b>	Cable set	Jeu de câbles	3	
<b>9</b>	1	<b>471 8624-01</b>	Nipple	Raccord	3	
<b>10</b>	1	<b>744 3113-06</b>	Filter	Filtre	3	1/2"

1



Issue	Month	Year
01	10	02

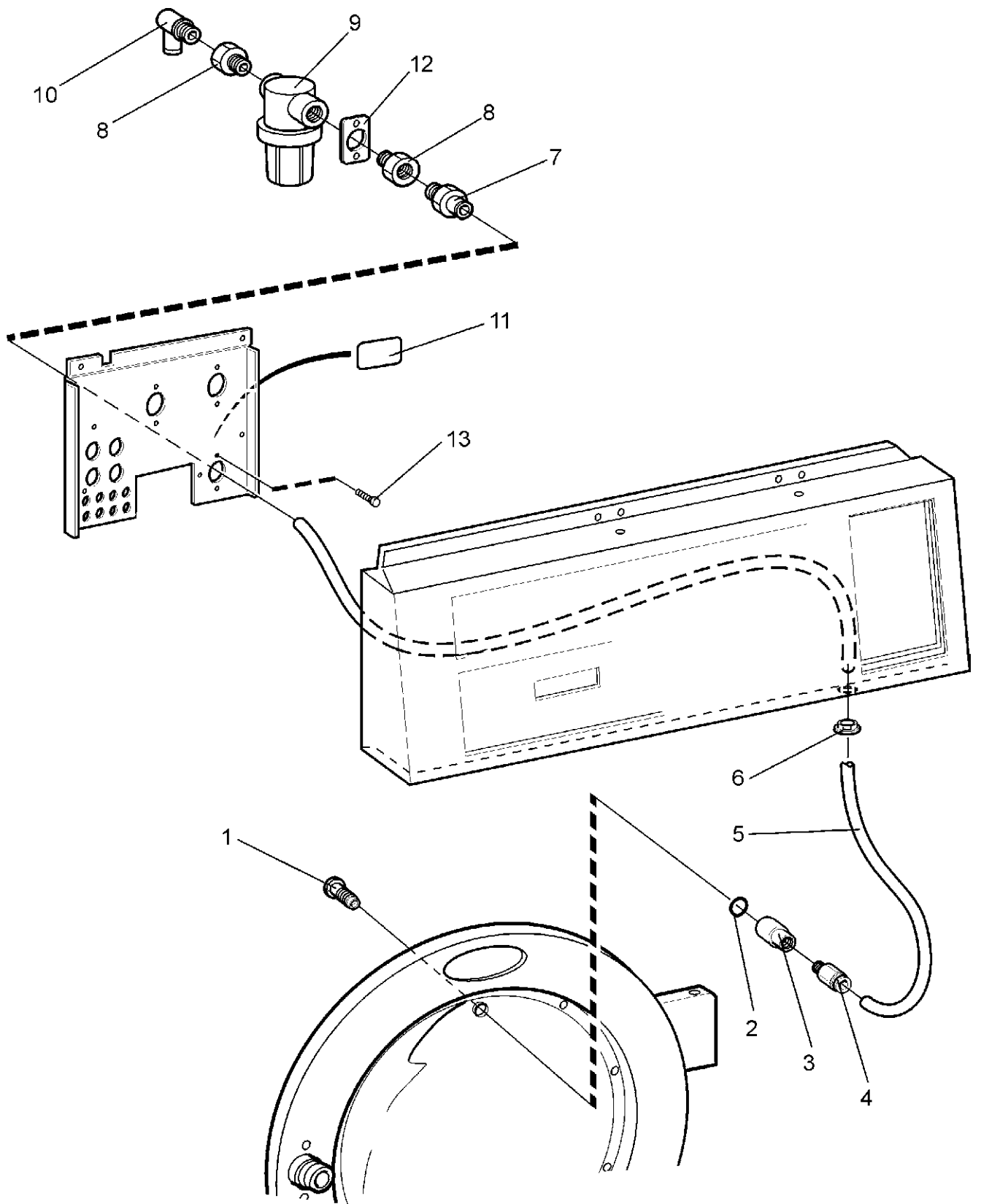
**EX655c,EX655s,FAS3240H,W3240H**

**Detergent container**

**Compartiment à savon**

Illustration Issue Month Year  
Schéma Issue Month Year  
**101771/2 5 4 2003**

Item Article	Qua. Qua.	Art.No Réf. article	Description	Description	Info Info	Notes Remarques
<b>1</b>	1	<b>432 2401-01</b>	Detergent container	Compartiment à savon	1,2	
<b>2</b>	2	<b>432 2404-01</b>	•Siphon	•Siphon	1,2	
<b>3</b>	1	<b>432 2405-01</b>	•Cover	•Couvercle	1,2	
<b>4</b>	1	<b>432 2406-01</b>	•Cover	•Couvercle	1,2	
<b>5</b>	2	<b>432 2407-01</b>	•Shaft	•Arbre	3	
<b>6</b>	1	<b>438 8103-01</b>	•Seal	•Joint	1,2	
<b>7</b>	1	<b>432 2409-01</b>	Cover	Couvercle	3	



Issue	Month	Year
01	10	02

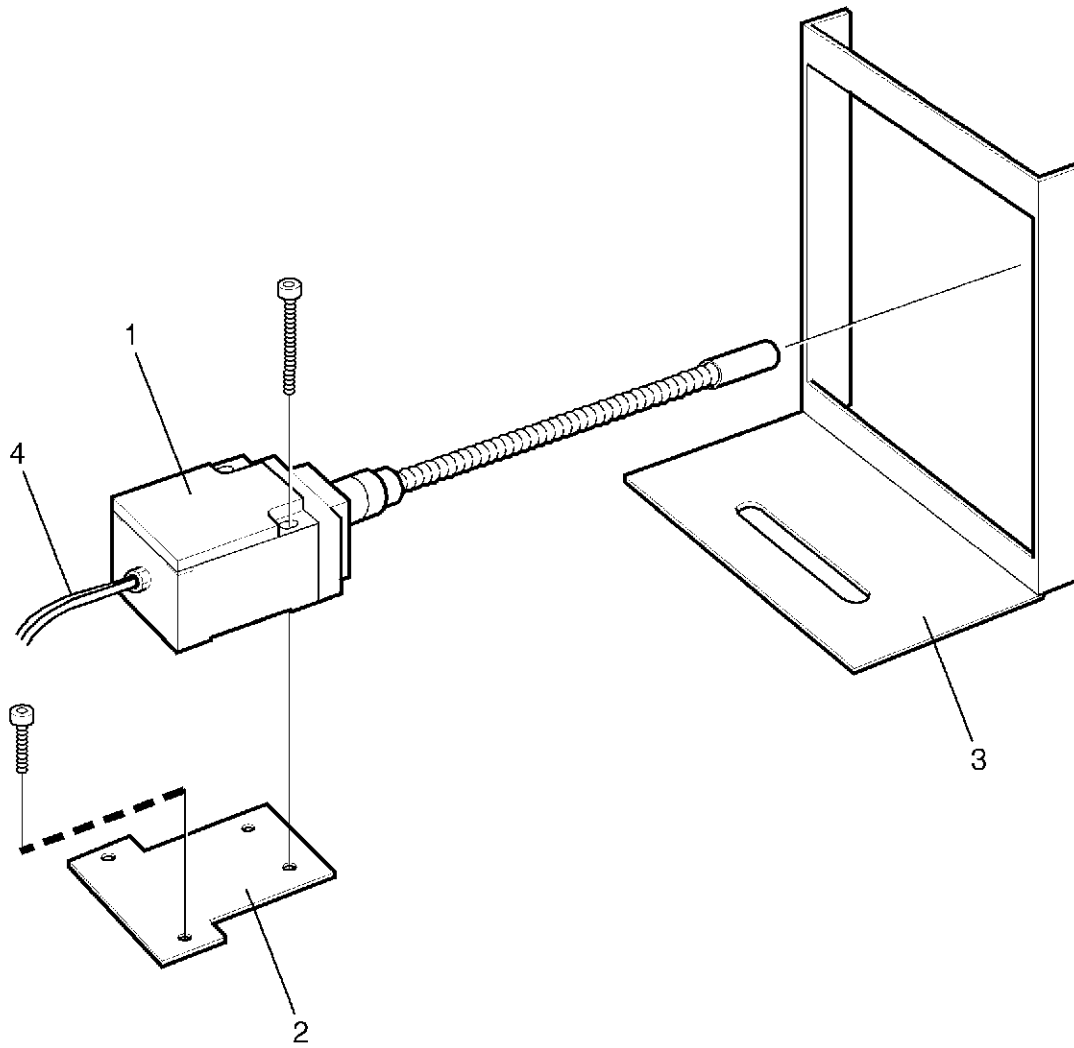
**EX655c,EX655s,FAS3240H,W3240H**

**Spray system**

Illustration	Issue	Month	Year
Schéma	Issue	Month	Year
<b>101931/2</b>	<b>2</b>	<b>2</b>	<b>2002</b>

**Assemblage articulé et plaque**

Item Article	Qua. Qua.	Art.No Réf. article	Description	Description	Info Info	Notes Remarques
1	1	471 9883-02	Nozzle	Tuyère	1	
2	2	740 4209-00	O-ring	Joint torique	1	
3	1	471 9884-01	Muff	Tubulure	3	
4	1	471 8690-33	Connection	Embrayage	3	
5	1	471 8143-01	Tube	Tube	1,2	L=3000
6	1	762 1116-10	Grommet	Oeillet	3	
7	1	471 8688-14	Nipple	Raccord	3	
8	2	471 8636-20	Nipple	Raccord	3	
9	1	438 4125-01	Filter	Filtre	1,2	
10	1	471 8690-28	Angle connector	Raccord d'angle	3	
11	1	471 4672-08	Sign	Signe	3	
12	1	432 2310-01	Mounting plate	Plaque de montage	3	
13	2	471 8342-11	Screw	Vis	3	MRT-TT 4X6



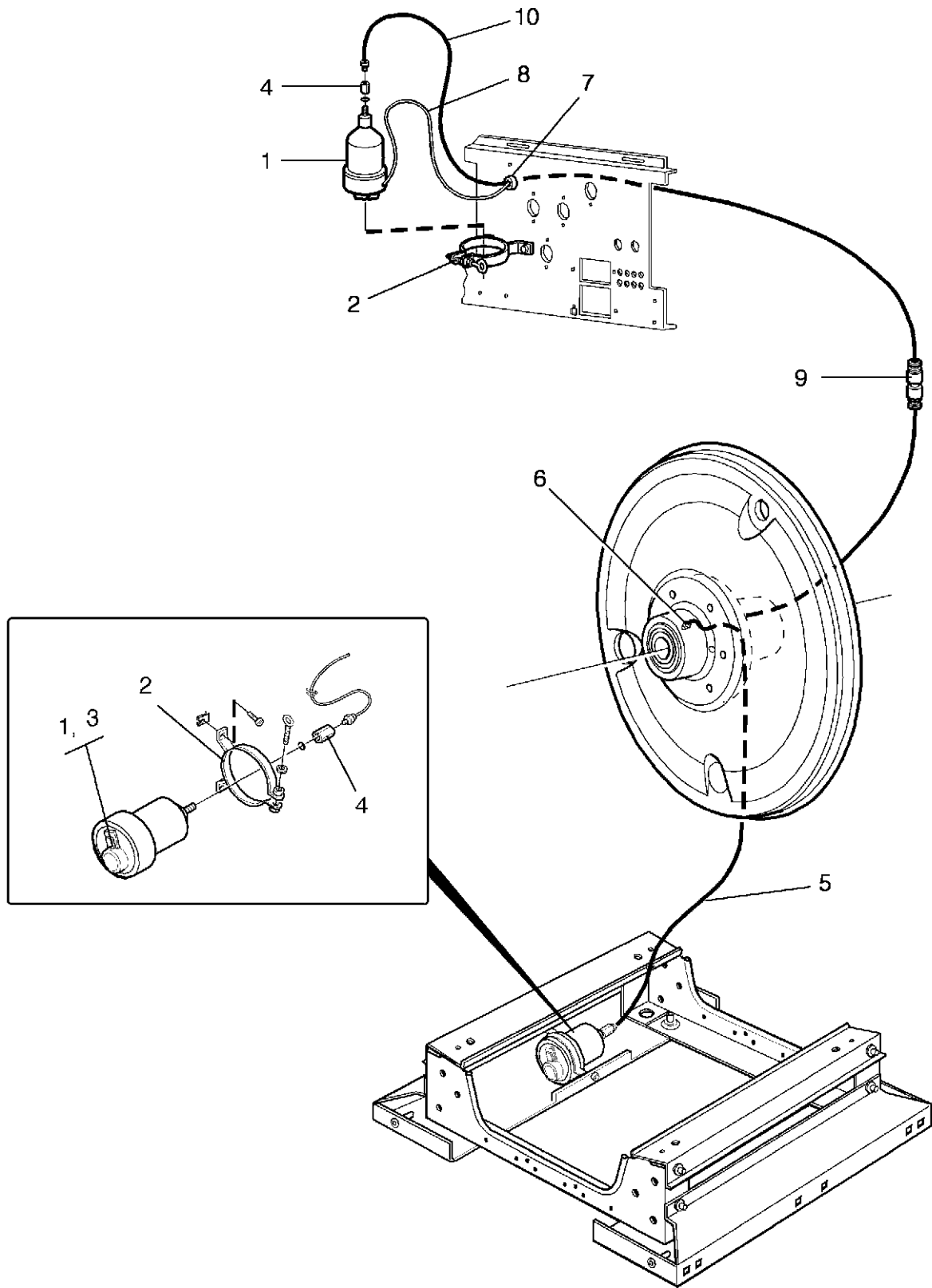
**EX655c,EX655s,FAS3240H,W3240H**

**Out of balance switch**

**Commutateur asymétrique**

Illustration	Issue	Month	Year
Schéma	Issue	Month	Year
<b>101922/1</b>	<b>1</b>	<b>11</b>	<b>2000</b>

Item Article	Qua. Qua.	Art.No Réf. article	Description	Description	Info Info	Notes Remarques
<b>1</b>	1	<b>471 9608-01</b>	Out of balance switch	Commutateur asymétrique	1,2	
<b>2</b>	1	<b>432 2183-01</b>	Mounting plate	Plaque de montage	3	
<b>3</b>	1	<b>432 2186-01</b>	Frame	Châssis	3	
<b>4</b>	1	<b>432 2987-01</b>	Cable set	Jeu de câbles	3	





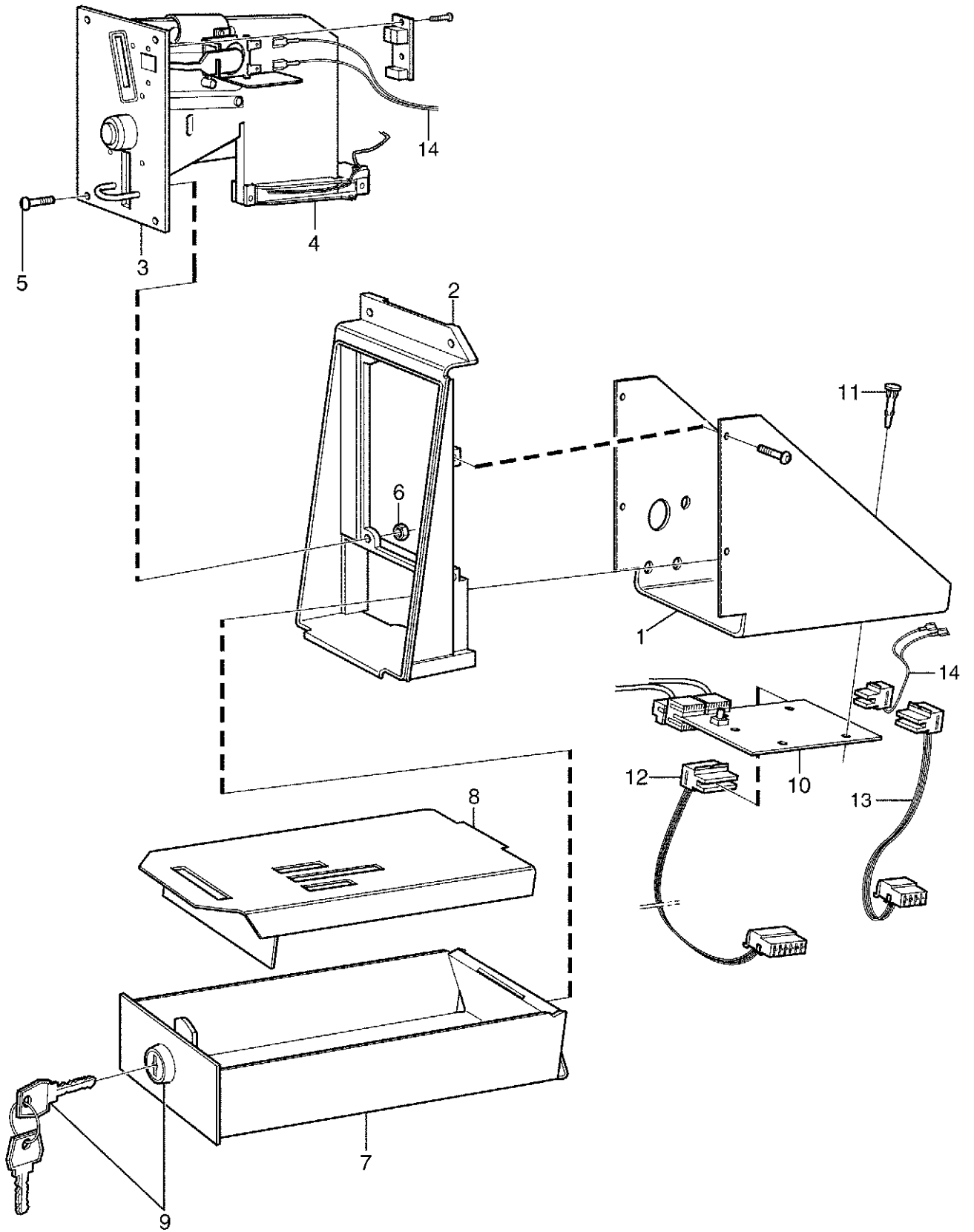
**EX655c,EX655s,FAS3240H,W3240H**

**Lubrication**

Illustration Issue Month Year  
Schéma Issue Month Year  
**101914/2 2 1 2002**

**Lubrication**

Item Article	Qua. Qua.	Art.No Réf. article	Description	Description	Info Info	Notes Remarques
<b>1</b>	1	<b>471 8276-02</b>	Pump	Pompe	1,2	Complete
<b>2</b>	1	<b>471 8276-12</b>	Bracket	Pièce de retenue	3	
<b>3</b>	1	<b>471 8276-13</b>	Cable	Câble	3	
<b>4</b>	1	<b>471 8690-72</b>	Nipple	Raccord	3	Complete
<b>5</b>	1	<b>471 8139-02</b>	Hose	Flexible	1	L=1250
<b>6</b>	1	<b>471 8690-73</b>	Angle connector	Raccord d'angle	3	
<b>7</b>	1	<b>471 8164-00</b>	Grommet	Oeillet	3	D7
<b>8</b>	1	<b>471 8276-14</b>	Cable	Câble	3	
<b>9</b>	1	<b>471 8690-52</b>	Nipple	Raccord	3	
<b>10</b>	1	<b>471 8139-07</b>	Hose	Flexible	1	L=550



Issue	Month	Year
01	10	01

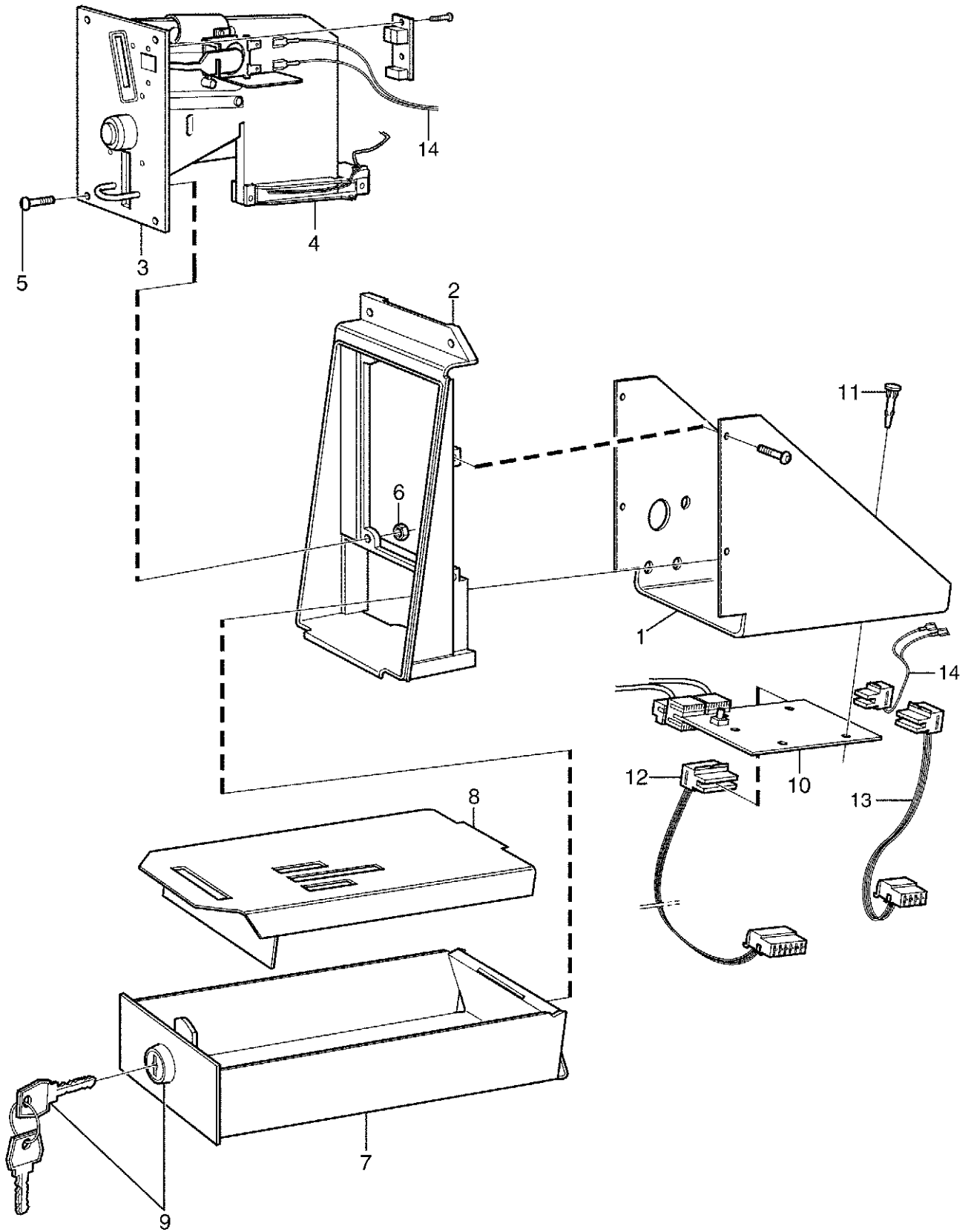
**EX655c,EX655s,FAS3240H,W3240H**

**Coin meter with slot locking device**

**Coin meter with slot locking device**

Illustration Issue Month Year  
Schéma Issue Month Year  
**101983/1 2 10 2003**

Item Article	Qua. Qua.	Art.No Réf. article	Description	Description	Info Info	Notes Remarques
<b>1</b>	1	<b>432 2185-01</b>	Bracket	Pupitre	3	
<b>2</b>	1	<b>472 9913-21</b>	Frame	Châssis	3	
<b>3</b>	1	<b>438 8916-01</b>	Coin meter	Monnayeur	3	1 Coin, 1 SEK
	1	<b>438 8916-02</b>	Coin meter	Monnayeur	3	TOKEN Ø23.5x1.7
	1	<b>438 8916-03</b>	Coin meter	Monnayeur	3	TOKEN Ø24,3X1,5
	1	<b>438 8916-04</b>	Coin meter	Monnayeur	3	2 Coins, 10+50 new pence GB
	1	<b>438 8916-05</b>	Coin meter	Monnayeur	3	2 Coins, 5+1 DKR
	1	<b>438 8916-06</b>	Coin meter	Monnayeur	3	TOKEN Ø23.7x1.6
	1	<b>438 8916-08</b>	Coin meter	Monnayeur	3	2 Coins, 0.2+0.5 GBP
	1	<b>438 8916-09</b>	Coin meter	Monnayeur	3	TOKEN Ø25.0x2.0
	1	<b>438 8916-10</b>	Coin meter	Monnayeur	3	1 Coin, 50 new cent Singapore
	1	<b>438 8916-11</b>	Coin meter	Monnayeur	3	2 Coins, 1+5 DKR
	1	<b>438 8916-12</b>	Coin meter	Monnayeur	3	TOKEN Ø22.5x1.5
	1	<b>438 8916-13</b>	Coin meter	Monnayeur	3	TOKEN Ø27.0x1.6
	1	<b>438 8916-14</b>	Coin meter	Monnayeur	3	TOKEN Ø22,0X1,5
	1	<b>438 8916-16</b>	Coin meter	Monnayeur	3	TOKEN Ø19,0X1,0
	1	<b>438 8916-17</b>	Coin meter	Monnayeur	3	TOKEN Ø22.35x1.6
	1	<b>438 8916-18</b>	Coin meter	Monnayeur	3	1 Coin, 10 TWD
	1	<b>438 8916-19</b>	Coin meter	Monnayeur	3	2 Coins, 0,2 + 1 GBP
	1	<b>438 8916-20</b>	Coin meter	Monnayeur	3	2 Coins, 1+5 NKR
	1	<b>438 8916-21</b>	Coin meter	Monnayeur	3	1 Coin, 5 SEK
	1	<b>438 8916-22</b>	Coin meter	Monnayeur	3	2 Coins, 1+10 DKR
	1	<b>438 8916-23</b>	Coin meter	Monnayeur	3	TOKEN Ø25.0x1.8
	1	<b>438 8916-24</b>	Coin meter	Monnayeur	3	TOKEN Ø25.8x1.7
	1	<b>438 8916-25</b>	Coin meter	Monnayeur	3	TOKEN Ø26.0x2.1
	1	<b>438 8916-26</b>	Coin meter	Monnayeur	3	1 Coin, 100 YEN
	1	<b>438 8916-27</b>	Coin meter	Monnayeur	3	2 Coins, 100+500 YEN
	1	<b>438 8916-29</b>	Coin meter	Monnayeur	3	1 Coin, 20 pence GB
	1	<b>438 8916-30</b>	Coin meter	Monnayeur	3	1 Coin, 25 cent USA
	1	<b>438 8916-31</b>	Coin meter	Monnayeur	3	1 Coin, 1 HKD
	1	<b>438 8916-34</b>	Coin meter	Monnayeur	3	2 Coins, 10+50 pence GB
	1	<b>438 8916-35</b>	Coin meter	Monnayeur	3	2 Coins, 1+10 NKR
	1	<b>438 8916-36</b>	Coin meter	Monnayeur	3	1 Coin, 500 KRW
	1	<b>438 8916-37</b>	Coin meter	Monnayeur	3	2 Coins, 0,2+1 AUD
	1	<b>438 8916-38</b>	Coin meter	Monnayeur	3	2 Coins, 1+5 DKR
	1	<b>438 8916-39</b>	Coin meter	Monnayeur	3	2 Coins, 1+10 DKR
	1	<b>438 8916-40</b>	Coin meter	Monnayeur	3	2 Coins, 2+5 DKR
	1	<b>438 8916-41</b>	Coin meter	Monnayeur	3	2 Coins, 2+10 DKR
	1	<b>438 8916-42</b>	Coin meter	Monnayeur	3	1 Coin, 50 cent Malaysia
	1	<b>438 8916-44</b>	Coin meter	Monnayeur	3	2 Coins, 0,5+1 GBP
	1	<b>438 8916-45</b>	Coin meter	Monnayeur	3	1 Coin, 1 GBP
	1	<b>438 8916-47</b>	Coin meter	Monnayeur	3	TOKEN Ø19.0x1.5
	1	<b>438 8916-48</b>	Coin meter	Monnayeur	3	2 Coins, 10+50 TWD
	1	<b>438 8916-49</b>	Coin meter	Monnayeur	3	1 Coin, 20 Korung CZ
	1	<b>438 8916-50</b>	Coin meter	Monnayeur	3	1 Coin, 5 DM
	1	<b>438 8916-51</b>	Coin meter	Monnayeur	3	2 Coins, 1+5 ILS
	1	<b>438 8916-52</b>	Coin meter	Monnayeur	3	Token Ø28.1x1.65
	1	<b>438 8916-53</b>	Coin meter	Monnayeur	3	2 Coins, 1+10 NKR
	1	<b>438 8916-55</b>	Coin meter	Monnayeur	3	2 Coins, 2+5 ZAR
	1	<b>438 8916-56</b>	Coin meter	Monnayeur	3	2 Coins 0,5+1 MYR
	1	<b>438 8916-57</b>	Coin meter	Monnayeur	3	1 Coin, 1 SGD
	1	<b>438 8916-58</b>	Coin meter	Monnayeur	3	2 Coins, 2+5 ZAR
	1	<b>438 8916-59</b>	Coin meter	Monnayeur	3	2 Coins, 1+2 AUD
	1	<b>438 8916-60</b>	Coin meter	Monnayeur	3	2 Coins, 5+1 HKD
	1	<b>438 8916-63</b>	Coin meter	Monnayeur	3	TOKEN Ø24,3x1,5
	1	<b>438 8916-64</b>	Coin meter	Monnayeur	3	Token Ø20.0x2.0
	1	<b>438 8916-65</b>	Coin meter	Monnayeur	3	1 Coins, 1 HKD
	1	<b>438 8916-66</b>	Coin meter	Monnayeur	3	2 Coins, 1+0.25 USD
	1	<b>438 8916-67</b>	Coin meter	Monnayeur	3	2 Coins, 0.1+0.5 Euro



Issue	Month	Year
01	10	01

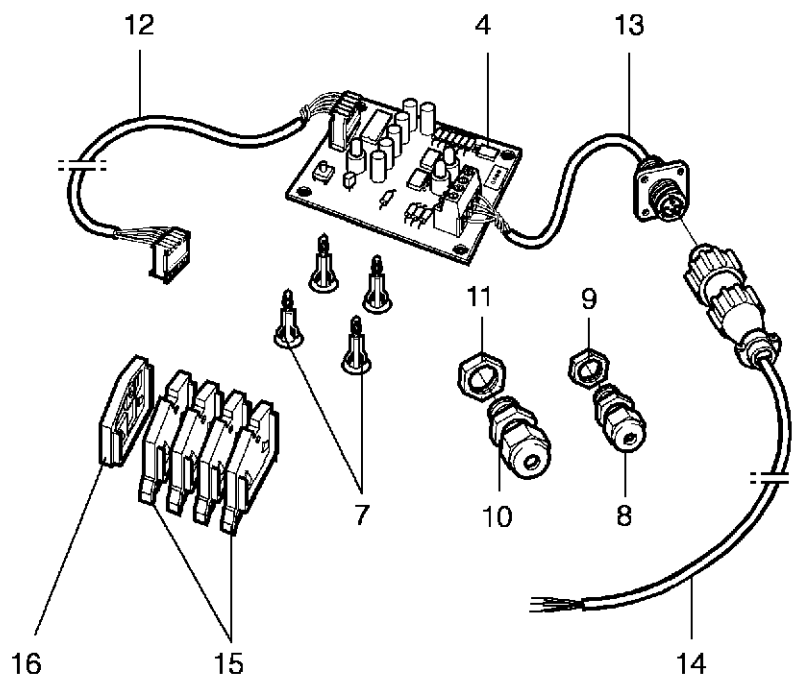
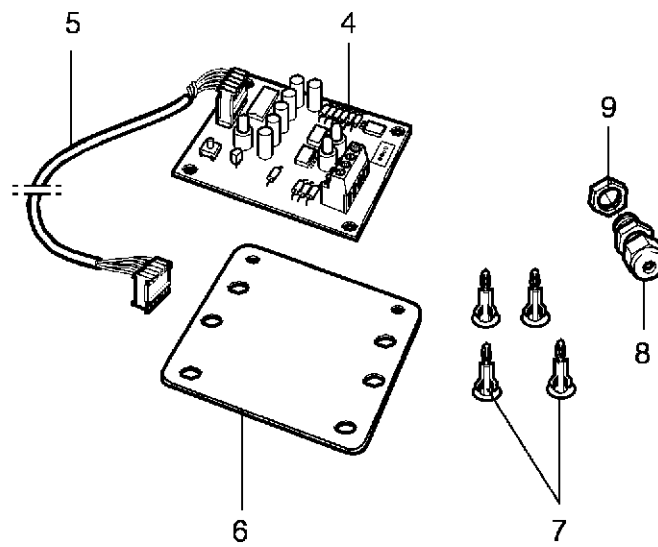
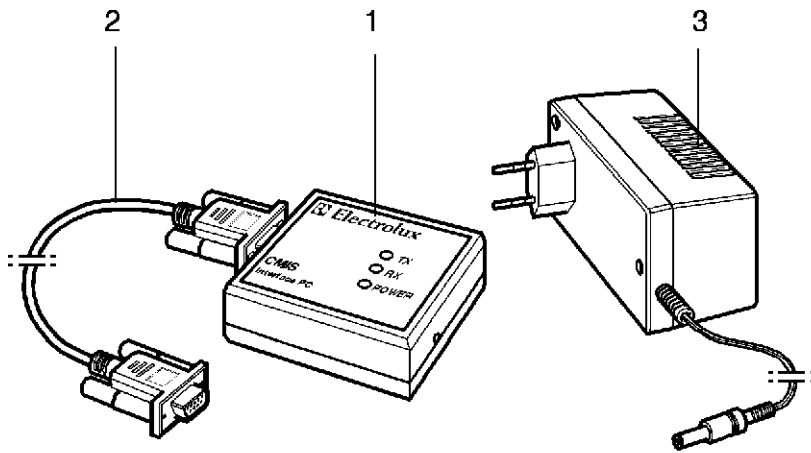
**EX655c,EX655s,FAS3240H,W3240H**

**Coin meter with slot locking device**

**Coin meter with slot locking device**

Illustration Issue Month Year  
Schéma Issue Month Year  
**101983/1 2 10 2003**

Item Article	Qua. Qua.	Art.No Réf. article	Description	Description	Info Info	Notes Remarques
	1	<b>438 8916-68</b>	Coin meter	Monnayeur	3	2 Coins, 0.2+2 Euro
	1	<b>438 8916-69</b>	Coin meter	Monnayeur	3	1 Coin, 1 EUcent
	1	<b>438 8916-70</b>	Coin meter	Monnayeur	3	1 Coins, 20 EUcent
	1	<b>438 8916-71</b>	Coin meter	Monnayeur	3	1 Coins, 50 EUcent
	1	<b>438 8916-72</b>	Coin meter	Monnayeur	3	1 Coin, 1 Euro
	1	<b>438 8916-73</b>	Coin meter	Monnayeur	3	1 Coin, 2 Euro
	1	<b>438 8919-01</b>	Coin meter	Monnayeur	3	2 Coins. JPY 100+500
*	1	<b>438 8919-02</b>	Coin meter	Monnayeur	3	2 Coins, JPY 100+news 500
*	1	<b>438 8916-74</b>	Coin meter	Monnayeur	3	2 Coins, 0.5+1 Euro
*	1	<b>438 8916-75</b>	Coin meter	Monnayeur	3	1 Coin, CYP 0.5
*	1	<b>438 8916-76</b>	Coin meter	Monnayeur	3	Token 32x2
*	1	<b>438 8916-77</b>	Coin meter	Monnayeur	3	2 Coins, 0.2+1 Euro
*	1	<b>438 8916-78</b>	Coin meter	Monnayeur	3	1 Coin, 1MYR
* 4	1	<b>438 8910-91</b>	•Sensor	•Décteur	1,2	
5	4	<b>471 8910-90</b>	Screw	Vis	3	
6	4	<b>731 2312-01</b>	Nut	Écrou	3	M4
7	1		Coin box	Boîtier à jetons		Complete Included in pos 2
8	1		•Coin box	•Boîtier à jetons		
9	1	<b>432 2204-01</b>	•Cover	•Couvercle	3	
10	1	<b>471 7829-04</b>	•Lock	•Serrure	1,2	
11	1	<b>438 8790-01</b>	Printed circuit board	Circuit imprimé	1,2	
12	4	<b>471 7958-02</b>	Support	Support	3	
13	1	<b>432 3086-15</b>	Cable set	Jeu de câbles	3	X21-X121
14	1	<b>432 3084-01</b>	Cable set	Jeu de câbles	3	
15	1	<b>432 3082-71</b>	Cable set	Jeu de câbles		X232



Issue	Month	Year
01	10	02

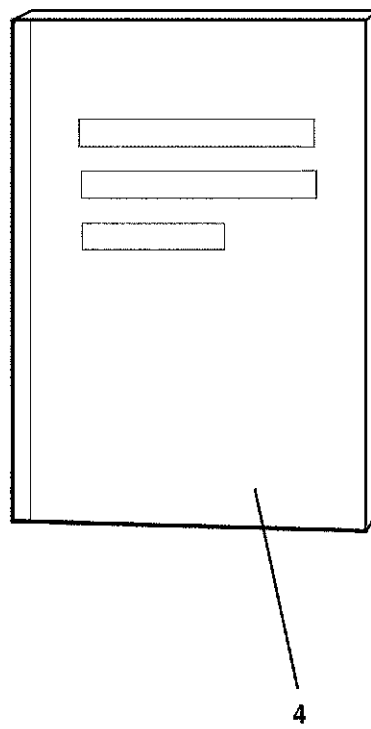
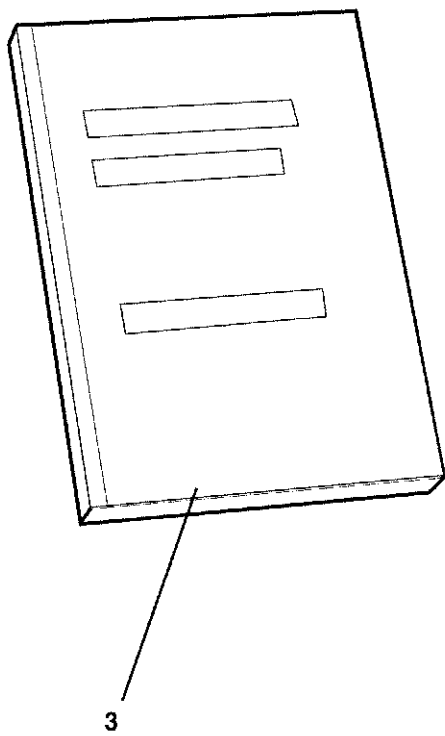
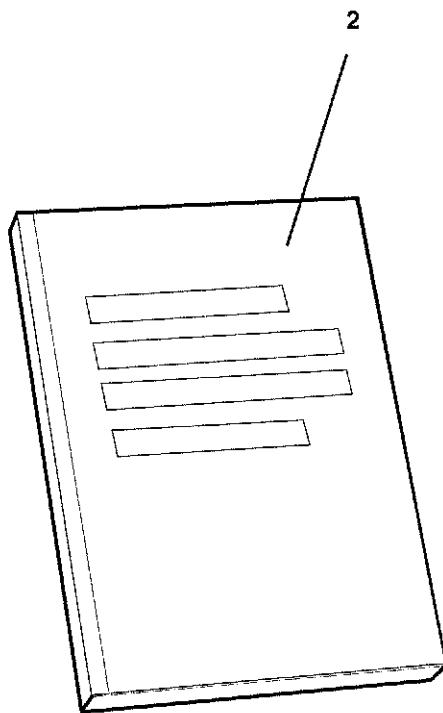
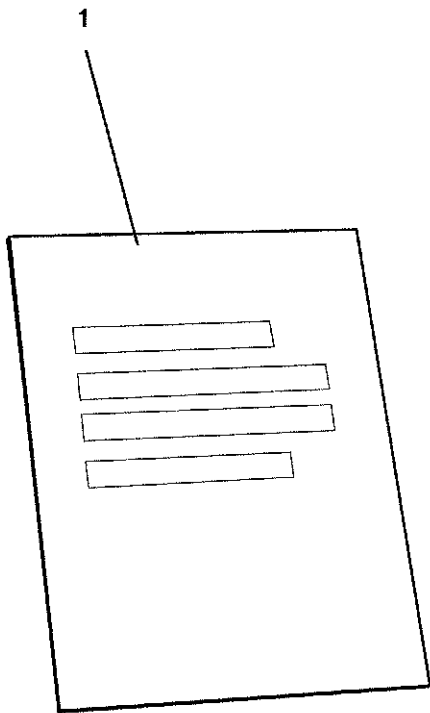
**EX655c,EX655s,FAS3240H,W3240H**

**CMIS**

Illustration Issue Month Year  
Schéma Issue Month Year  
**102107/1 1 12 2001**

**CMIS**

Item Article	Qua. Qua.	Art.No Réf. article	Description	Description	Info Info	Notes Remarques
1	1	438 8796-01	Interface PC	Interface PC	1	Complete
2	1	438 8793-01	Cable	Câble	3	Complete
3	1	471 9680-01	Battery eliminator	Battery eliminator	3	24V
4	1	438 8791-01	CMIS Interface	CMIS Interface	1	
5	1	432 2933-03	Cable set	Jeu de câbles	3	
6	1	471 4601-01	Bracket	Pupitre	3	
7	4	471 7958-02	Support	Support	3	
8	1	471 8780-01	Screw fitting	Vis de raccord	3	15,2
9	1	471 8780-31	Nut	Écrou	3	15
10	1	471 8780-02	Screw fitting	Vis de raccord	3	18,2
11	1	471 8780-32	Nut	Écrou	3	18
12	1	432 2933-02	Cable set	Jeu de câbles	3	
13	1	438 7300-87	Cable set	Jeu de câbles	3	
14	1	438 7300-88	Cable set	Jeu de câbles	3	
15	4	471 8781-02	Block	Cale	3	Orange
16	1	471 8781-11	Block	Cale	3	





**EX655c,EX655s,FAS3240H,W3240H**

**Technical documentation**

Illustration Issue Month Year  
Schéma Issue Month Year

**Documentation technique**

**101969/1 1 5 1**

Item Article	Qua. Qua.	Art.No Réf. article	Description	Description	Info Info	Notes Remarques
1	1	438 9200-00	Installation instructions	Instructions installation	1	Exacta/Clarus Swedish
	1	438 9200-01	Installation instructions	Instructions installation	1	Exacta/Clarus English
	1	438 9200-02	Installation instructions	Instructions installation	1	Exacta/Clarus German
	1	438 9200-03	Installation instructions	Instructions installation	1	Exacta/Clarus French
	1	438 9200-04	Installation instructions	Instructions installation	1	Exacta/Clarus Spanish
	1	438 9200-05	Installation instructions	Instructions installation	1	Exacta/Clarus Danish
	1	438 9200-06	Installation instructions	Instructions installation	1	Exacta/Clarus Finnish
	1	438 9200-07	Installation instructions	Instructions installation	1	Exacta/Clarus Norwegian
	1	438 9200-08	Installation instructions	Instructions installation	1	Exacta/Clarus Dutch
	1	438 9200-09	Installation instructions	Instructions installation	1	Exacta/Clarus Italian
	1	438 9200-10	Installation instructions	Instructions installation	1	Exacta/Clarus Portuguese
2	1	438 9200-11	Installation instructions	Instructions installation	1	Exacta/Clarus Japanese
	1	438 9200-50	User instructions	Instruction de fonctionnement	1	Exacta Swedish
	1	438 9200-51	User instructions	Instruction de fonctionnement	1	Exacta English
	1	438 9200-52	User instructions	Instruction de fonctionnement	1	Exacta German
	1	438 9200-53	User instructions	Instruction de fonctionnement	1	Exacta French
	1	438 9200-54	User instructions	Instruction de fonctionnement	1	Exacta Spanish
	1	438 9200-55	User instructions	Instruction de fonctionnement	1	Exacta Danish
	1	438 9200-56	User instructions	Instruction de fonctionnement	1	Exacta Finnish
	1	438 9200-57	User instructions	Instruction de fonctionnement	1	Exacta Norwegian
	1	438 9200-58	User instructions	Instruction de fonctionnement	1	Exacta Dutch
	1	438 9200-59	User instructions	Instruction de fonctionnement	1	Exacta Italian
	1	438 9200-60	User instructions	Instruction de fonctionnement	1	Exacta Portuguese
	1	438 9200-61	User instructions	Instruction de fonctionnement	1	Exacta Japanese
	1	438 9201-00	User instructions	Instruction de fonctionnement	1	Clarus Swedish
	1	438 9201-01	User instructions	Instruction de fonctionnement	1	Clarus English
	1	438 9201-02	User instructions	Instruction de fonctionnement	1	Clarus German
	1	438 9201-03	User instructions	Instruction de fonctionnement	1	Clarus French
	1	438 9201-04	User instructions	Instruction de fonctionnement	1	Clarus Spanish
	1	438 9201-05	User instructions	Instruction de fonctionnement	1	Clarus Danish
	1	438 9201-06	User instructions	Instruction de fonctionnement	1	Clarus Finnish
	1	438 9201-07	User instructions	Instruction de fonctionnement	1	Clarus Norwegian
1	438 9201-08	User instructions	Instruction de fonctionnement	1	Clarus Dutch	
1	438 9201-09	User instructions	Instruction de fonctionnement	1	Clarus Italian	
1	438 9201-11	User instructions	Instruction de fonctionnement	1	Clarus Japanese	
3	1	438 9201-50	Service manual	Manuel d'entretien	1	Clarus Swedish
	1	438 9201-51	Service manual	Manuel d'entretien	1	Clarus English
	1	438 9201-52	Service manual	Manuel d'entretien	1	Clarus German
	1	438 9201-53	Service manual	Manuel d'entretien	1	Clarus French
	1	438 9201-54	Service manual	Manuel d'entretien	1	Clarus Spanish
	1	438 9201-59	Service manual	Manuel d'entretien	1	Clarus Italian
	1	438 9201-61	Service manual	Manuel d'entretien	1	Clarus Japanese
	1	438 9201-80	Service manual	Manuel d'entretien	1	Exacta Swedish
	1	438 9201-81	Service manual	Manuel d'entretien	1	Exacta English
	1	438 9201-82	Service manual	Manuel d'entretien	1	Exacta German
	1	438 9201-83	Service manual	Manuel d'entretien	1	Exacta French
4	1	438 9201-84	Service manual	Manuel d'entretien	1	Exacta Spanish
	1	438 9201-89	Service manual	Manuel d'entretien	1	Exacta Italian
	1	438 9201-91	Service manual	Manuel d'entretien	1	Exacta Japanese
	1	438 9050-50	Programming	Programmation	1	Clarus Swedish
	1	438 9050-51	Programming	Programmation	1	Clarus English
	1	438 9050-52	Programming	Programmation	1	Clarus German
	1	438 9050-53	Programming	Programmation	1	Clarus French
	1	438 9050-54	Programming	Programmation	1	Clarus Spanish
1	438 9050-55	Programming	Programmation	1	Clarus Danish	
1	438 9050-56	Programming	Programmation	1	Clarus Finnish	
1	438 9050-57	Programming	Programmation	1	Clarus Norwegian	
1	438 9050-58	Programming	Programmation	1	Clarus Dutch	
1	438 9050-59	Programming	Programmation	1	Clarus Italian	



## Numerical index/Numerical index

Art.No/Réf. article	Page/Page	Art.No/Réf. article	Page/Page	Art.No/Réf. article	Page/Page	Art.No/Réf. article	Page/Page
432 0149-01	37	432 2052-01	9	432 2620-07	13	432 2650-49	21
432 0150-01	37	432 2052-02	9	432 2620-08	13	432 2650-50	21
432 1229-01	17	432 2068-01	9	432 2630-01	31	432 2650-51	21
432 1335-01	7	432 2069-01	9	432 2630-02	31	432 2650-52	21
432 1406-01	7	432 2084-01	9	432 2630-03	31	432 2650-53	21
432 1406-02	7	432 2084-02	9	432 2630-04	31	432 2650-54	21
432 1407-01	7	432 2107-01	9	432 2630-06	31	432 2650-55	21
432 1407-02	7	432 2121-04	9	432 2630-09	31	432 2650-56	21
432 1411-01	7	432 2131-03	9	432 2630-10	31	432 2650-57	21
432 1412-01	7	432 2135-02	9	432 2649-03	19	432 2650-58	21
432 1421-01	7	432 2137-01	9	432 2649-04	19	432 2650-59	21
432 1426-01	7	432 2150-01	25	432 2649-05	19	432 2650-60	21
432 1453-01	7	432 2151-01	27	432 2649-06	19	432 2650-61	21
432 1454-01	17	432 2152-01	27	432 2649-07	19	432 2650-62	21
432 1455-01	17	432 2153-01	27	432 2649-20	19	432 2650-63	21
432 1458-01	7	432 2154-01	43	432 2649-21	19	432 2650-64	21
432 1468-01	7	432 2155-01	9	432 2649-22	19	432 2650-65	21
432 1473-01	17	432 2156-01	43	432 2649-23	19	432 2650-66	21
432 1504-01	11	432 2156-02	43	432 2649-24	19	432 2650-67	21
432 1504-03	11	432 2159-01	33	432 2649-25	19	432 2650-68	21
432 1544-01	11	432 2160-01	33	432 2649-26	19	432 2650-69	21
432 1549-01	11	432 2161-01	37	432 2649-27	19	432 2650-70	21
432 1554-01	11	432 2162-02	37	432 2649-28	19	432 2650-71	21
432 1564-01*	11	432 2163-13	9	432 2650-02	19	432 2650-72	21
432 1569-01	11	432 2163-15	9	432 2650-03	19	432 2650-73	21
432 1574-01	11	432 2167-01	29	432 2650-04	19	432 2650-74	21
432 1574-02	11	432 2179-01	9	432 2650-05	19	432 2650-75	21
432 1574-03	11	432 2181-01	25	432 2650-06	19	432 2650-76	21
432 1609-01	11	432 2183-01	63	432 2650-07	19	432 2650-77	21
432 1609-02*	11	432 2185-01	67	432 2650-08	19	432 2650-78	21
432 1609-03	11	432 2186-01	63	432 2650-09	19	432 2650-79	21
432 1609-04	11	432 2201-29	9	432 2650-10	19	432 2650-80	23
432 1609-05	11	432 2204-01	69	432 2650-11	19	432 2650-81	23
432 1631-01	57	432 2301-01	45	432 2650-12	19	432 2650-82	23
432 1649-01	7	432 2306-01	45	432 2650-13	19	432 2650-83	23
432 1652-01	7	432 2308-01	45	432 2650-14	19	432 2650-84	23
432 1653-01	7	432 2310-01	61	432 2650-16	19	432 2650-85	23
432 1654-01	7	432 2401-01	59	432 2650-17	19	432 2650-86	23
432 1673-01	57	432 2404-01	59	432 2650-18	19	432 2650-87	23
432 1828-01	13	432 2405-01	59	432 2650-19	19	432 2650-88	23
432 1843-01	13	432 2406-01	59	432 2650-20	19	432 2650-89	23
432 1858-01	13	432 2407-01	59	432 2650-24	19	432 2650-90	23
432 1858-02	13	432 2409-01	59	432 2650-25	19	432 2650-91	23
432 1874-01	13	432 2501-01	51	432 2650-26	19	432 2650-92	23
432 1888-01	13	432 2502-01	51	432 2650-27	19	432 2650-93	23
432 1950-01	13	432 2502-01	53	432 2650-28	19	432 2650-94	23
432 1951-01	13	432 2505-01	51	432 2650-29	19	432 2650-95	23
432 1955-01	13	432 2506-01	53	432 2650-30	19	432 2650-96	23
432 1956-01	13	432 2507-01	53	432 2650-31	21	432 2650-97	23
432 1960-01	15	432 2508-02	53	432 2650-32	21	432 2650-98	23
432 1962-01	13	432 2511-01	53	432 2650-33	21	432 2652-06	23
432 2004-01	9	432 2516-02*	53	432 2650-34	21	432 2652-07	23
432 2019-01	19	432 2516-05	55	432 2650-35	21	432 2652-08	23
432 2027-01	31	432 2518-04	55	432 2650-36	21	432 2652-09	23
432 2036-01	9	432 2521-03	53	432 2650-37	21	432 2652-10	23
432 2036-02	9	432 2531-01	55	432 2650-38	21	432 2652-11	23
432 2036-10	9	432 2534-01	55	432 2650-39	21	432 2652-12	23
432 2037-01	9	432 2537-01	55	432 2650-40	21	432 2652-13	23
432 2037-02	9	432 2548-01	55	432 2650-41	21	432 2652-14	23
432 2037-03	9	432 2602-04	25	432 2650-42	21	432 2652-15	23
432 2037-04	9	432 2602-04	31	432 2650-43	21	432 2652-16	23
432 2037-10	9	432 2602-70	25	432 2650-44	21	432 2652-17	23
432 2037-11	9	432 2608-11*	31	432 2650-45	21	432 2652-18	23
432 2040-01	9	432 2608-51*	25	432 2650-46	21	432 2652-19	23
432 2040-02	9	432 2620-02	13	432 2650-47	21	432 2652-20	23
432 2040-10	9	432 2620-06	13	432 2650-48	21	432 2652-21	23

## Numerical index/Numerical index

Art.No/Réf. article	Page/Page	Art.No/Réf. article	Page/Page	Art.No/Réf. article	Page/Page	Art.No/Réf. article	Page/Page
432 2652-22	23	432 3082-18	39	432 3182-21	27	438 7160-09	33
432 2652-23	23	432 3082-19	29	432 3182-43	53	438 7160-10	33
432 2652-24	23	432 3082-21	37	432 3182-45	47	438 7160-11	33
432 2652-25	23	432 3082-25	43	432 3182-45	49	438 7160-12	33
432 2652-26	23	432 3082-26	29	432 3182-46	47	438 7160-13	33
432 2652-27	23	432 3082-27	27	432 3182-46	49	438 7160-14	33
432 2652-28	23	432 3082-41	37	432 3182-52	43	438 7160-15	33
432 2652-29	23	432 3082-42	29	432 3182-61	31	438 7160-16	35
432 2652-30	23	432 3082-43	37	432 3182-72	31	438 7160-17	35
432 2652-31	23	432 3082-47	29	432 3182-78	31	438 7160-18	35
432 2652-32	23	432 3082-48	27	432 3182-93	27	438 7160-19	35
432 2652-33	23	432 3082-48	37	432 3182-93	37	438 7160-20	35
432 2652-34	23	432 3082-49	27	432 3182-94	29	438 7160-21	35
432 2652-35	23	432 3082-49	37	432 3184-03	29	438 7160-22	35
432 2652-36	23	432 3082-50	39	432 3901-01	17	438 7160-23	35
432 2652-37	25	432 3082-51	29	432 3905-01	17	438 7160-24	35
432 2652-38	25	432 3082-56	37	432 3907-01	29	438 7160-25	35
432 2652-39	25	432 3082-57	27	432 3908-01	29	438 7160-26	35
432 2652-40	25	432 3082-58	29	432 3909-01	29	438 7160-27	35
432 2652-41	25	432 3082-59	37	432 3910-01	29	438 7160-28	35
432 2720-01	19	432 3082-70	17	432 4312-01	13	438 7160-29	35
432 2720-02	19	432 3082-71	69	432 4312-02	13	438 7160-30	35
432 2720-03	19	432 3082-77	7	438 0051-01	51	438 7160-31	35
432 2720-04	19	432 3082-77	27	438 0052-01	51	438 7160-32	35
432 2720-05	19	432 3082-77	37	438 0053-01	51	438 7160-33	35
432 2720-06	19	432 3082-78	29	438 0054-01	51	438 7160-34	35
432 2720-08	19	432 3082-82	27	438 0055-01	51	438 7160-35	35
432 2720-09	19	432 3082-84	27	438 0056-03	45	438 7160-36	35
432 2720-10	19	432 3082-86	43	438 0056-04	45	438 7160-37	35
432 2720-11	19	432 3082-89	29	438 0083-01	53	438 7160-38	37
432 2720-12	19	432 3082-90*	39	438 0299-01	37	438 7160-39	37
432 2720-13	19	432 3082-99	27	438 0299-01	39	438 7160-40	37
432 2720-17	19	432 3083-20	29	438 4062-01	13	438 7160-41	37
432 2720-18	19	432 3083-30	37	438 4125-01	61	438 7160-42	37
432 2750-01	31	432 3083-32	39	438 5335-01	9	438 7160-43	37
432 2844-01	9	432 3083-36	17	438 7132-01	33	438 7160-44	37
432 2903-02	55	432 3083-75	37	438 7132-02	33	438 7160-45	37
432 2905-02	15	432 3084-01	69	438 7132-03	33	438 7160-46	37
432 2933-02	71	432 3084-16	37	438 7132-04	33	438 7300-87	71
432 2933-03	71	432 3084-25	39	438 7132-05	33	438 7300-88	71
432 2945-01	43	432 3084-40	27	438 7132-06	33	438 7950-01	43
432 2951-05	7	432 3084-40	37	438 7132-07	33	438 7950-02	43
432 2952-03	7	432 3085-04	39	438 7132-08	33	438 8102-06	53
432 2953-06	7	432 3085-15	37	438 7132-09	33	438 8103-01	59
432 2954-11	43	432 3085-25	37	438 7132-10	35	438 8155-05	11
432 2954-13	43	432 3085-27	39	438 7132-11	35	438 8156-01	7
432 2954-14	43	432 3086-10	29	438 7132-12	35	438 8158-02	17
432 2958-01	57	432 3086-15	27	438 7132-13	35	438 8785-01	43
432 2960-02	41	432 3086-15	69	438 7132-14	35	438 8786-02	43
432 2960-03	43	432 3086-91	27	438 7132-15	35	438 8787-01	43
432 2960-04	41	432 3086-92*	37	438 7132-16	35	438 8790-01	69
432 2976-01	43	432 3086-93	29	438 7132-17	37	438 8791-01	71
432 2977-01	7	432 3087-04	27	438 7132-18	35	438 8793-01	71
432 2981-01	37	432 3087-05	29	438 7132-19	33	438 8796-01	71
432 2982-02	17	432 3087-20	37	438 7132-20	33	438 8797-01	43
432 2982-10	55	432 3087-30	27	438 7132-21	33	438 8910-91*	69
432 2983-01	17	432 3087-31	29	438 7132-27*	33	438 8916-01	67
432 2984-01	43	432 3087-92	37	438 7132-28*	37	438 8916-02	67
432 2985-01	7	432 3088-30	27	438 7160-01	33	438 8916-03	67
432 2986-01	43	432 3088-31	29	438 7160-02	33	438 8916-04	67
432 2987-01	63	432 3088-32	39	438 7160-03	33	438 8916-05	67
432 2991-01	17	432 3088-51	47	438 7160-04	33	438 8916-06	67
432 3082-15	37	432 3088-51	49	438 7160-05	33	438 8916-08	67
432 3082-16	39	432 3182-02	39	438 7160-06	33	438 8916-09	67
432 3082-17	39	432 3182-20	27	438 7160-07	33	438 8916-10	67
432 3082-18	27	432 3182-20	29	438 7160-08	33	438 8916-11	67

## Numerical index/Numerical index

Art.No/Réf. article	Page/Page	Art.No/Réf. article	Page/Page	Art.No/Réf. article	Page/Page	Art.No/Réf. article	Page/Page
438 8916-12	67	438 9050-56	73	438 9678-04	43	471 8215-01	55
438 8916-13	67	438 9050-57	73	438 9678-12	43	471 8234-52	49
438 8916-14	67	438 9050-58	73	438 9678-14	43	471 8240-63	47
438 8916-16	67	438 9050-59	73	438 9705-11	17	471 8240-69	47
438 8916-17	67	438 9200-00	73	438 9705-71	17	471 8240-69	49
438 8916-18	67	438 9200-01	73	438 9799-02	17	471 8240-90	47
438 8916-19	67	438 9200-02	73	438 9799-02	41	471 8240-91	47
438 8916-20	67	438 9200-03	73	438 9799-03	17	471 8240-91	49
438 8916-21	67	438 9200-04	73	471 2265-69	53	471 8243-04	53
438 8916-22	67	438 9200-05	73	471 2442-42	53	471 8243-05	53
438 8916-23	67	438 9200-06	73	471 2464-18	53	471 8243-07	53
438 8916-24	67	438 9200-07	73	471 2937-01	57	471 8243-08	53
438 8916-25	67	438 9200-08	73	471 4601-01	71	471 8276-02	65
438 8916-26	67	438 9200-09	73	471 4672-08	61	471 8276-12	65
438 8916-27	67	438 9200-10	73	471 4792-01	45	471 8276-13	65
438 8916-29	67	438 9200-11	73	471 4835-01	53	471 8276-14	65
438 8916-30	67	438 9200-50	73	471 6860-15	47	471 8279-03	57
438 8916-31	67	438 9200-51	73	471 6860-16	47	471 8279-08	57
438 8916-34	67	438 9200-52	73	471 6860-17	47	471 8322-03	17
438 8916-35	67	438 9200-53	73	471 6860-18	47	471 8323-01	11
438 8916-36	67	438 9200-54	73	471 6860-18	49	471 8328-02	11
438 8916-37	67	438 9200-55	73	471 6860-19	47	471 8328-05	7
438 8916-38	67	438 9200-56	73	471 6860-19	49	471 8328-08	7
438 8916-39	67	438 9200-57	73	471 6860-20	47	471 8328-09	7
438 8916-40	67	438 9200-58	73	471 6860-20	49	471 8342-11	61
438 8916-41	67	438 9200-59	73	471 7565-21	9	471 8342-13	17
438 8916-42	67	438 9200-60	73	471 7705-03	17	471 8342-15	9
438 8916-44	67	438 9200-61	73	471 7801-07	51	471 8342-23	17
438 8916-45	67	438 9201-00	73	471 7807-02	7	471 8342-47	15
438 8916-47	67	438 9201-01	73	471 7826-10	9	471 8344-36	13
438 8916-48	67	438 9201-02	73	471 7826-20	9	471 8356-05	17
438 8916-49	67	438 9201-03	73	471 7829-04	69	471 8404-02	13
438 8916-50	67	438 9201-04	73	471 7859-12	43	471 8404-03*	51
438 8916-51	67	438 9201-05	73	471 7859-16	43	471 8413-01	7
438 8916-52	67	438 9201-06	73	471 7871-04	45	471 8458-02	13
438 8916-53	67	438 9201-07	73	471 7871-04	51	471 8502-14	11
438 8916-55	67	438 9201-08	73	471 7871-07	53	471 8502-34	7
438 8916-56	67	438 9201-09	73	471 7871-07	55	471 8527-01	13
438 8916-57	67	438 9201-11	73	471 7873-02	53	471 8555-03	7
438 8916-58	67	438 9201-50	73	471 7887-01	53	471 8624-01	57
438 8916-59	67	438 9201-51	73	471 7958-02	27	471 8636-20	61
438 8916-60	67	438 9201-52	73	471 7958-02	29	471 8641-02	9
438 8916-63	67	438 9201-53	73	471 7958-02	37	471 8644-02	45
438 8916-64	67	438 9201-54	73	471 7958-02	43	471 8688-13	45
438 8916-65	67	438 9201-59	73	471 7958-02	69	471 8688-13	51
438 8916-66	67	438 9201-61	73	471 7958-02	71	471 8688-14	61
438 8916-67	67	438 9201-80	73	471 7980-01	9	471 8690-28	61
438 8916-68	69	438 9201-81	73	471 8118-07	53	471 8690-33	61
438 8916-69	69	438 9201-82	73	471 8124-05	53	471 8690-52	65
438 8916-70	69	438 9201-83	73	471 8126-38	57	471 8690-72	65
438 8916-71	69	438 9201-84	73	471 8128-54	53	471 8690-73	65
438 8916-72	69	438 9201-89	73	471 8128-62	53	471 8693-21	45
438 8916-73	69	438 9201-91	73	471 8139-01	53	471 8695-01	57
438 8916-74*	69	438 9555-11	27	471 8139-02	65	471 8697-01	57
438 8916-75*	69	438 9555-11	29	471 8139-07	65	471 8750-11	37
438 8916-76*	69	438 9555-11	37	471 8139-16	53	471 8750-11	43
438 8916-77*	69	438 9555-12	27	471 8143-01	61	471 8759-01	43
438 8916-78*	69	438 9555-12	29	471 8164-00	65	471 8759-51	43
438 8919-01	69	438 9555-12	37	471 8175-01	45	471 8767-01	43
438 8919-02*	69	438 9561-01	15	471 8192-01	7	471 8768-03	41
438 9050-50	73	438 9563-01	7	471 8195-01	51	471 8780-01	71
438 9050-51	73	438 9564-01	27	471 8199-01	45	471 8780-02	71
438 9050-52	73	438 9564-01	29	471 8210-70	47	471 8780-31	71
438 9050-53	73	438 9564-01	37	471 8210-71	47	471 8780-32	71
438 9050-54	73	438 9635-10	43	471 8210-78	47	471 8781-02	71
438 9050-55	73	438 9635-11	43	471 8210-79	47	471 8781-11	71

Numerical index/Numerical index

Art.No/Réf. article	Page/Page	Art.No/Réf. article	Page/Page	Art.No/Réf. article	Page/Page	Art.No/Réf. article	Page/Page
471 8792-01	37	736 2825-51	53				
471 8793-01	37	736 2831-51	53				
471 8826-01	17	736 2837-51	53				
471 8827-01	17	736 2840-51	53				
471 8861-01	27	736 2846-51	45				
471 8861-01	29	736 2846-51	53				
471 8861-01	37	736 2846-51	55				
471 8910-90	69	740 4206-00	45				
471 8988-10	27	740 4209-00	61				
471 8988-11	29	741 5109-25	45				
471 8993-01	33	744 3113-06	57				
471 8995-01	37	762 1116-10	61				
471 8995-02	37	762 1182-10	43				
471 8997-02	33	762 1215-10	43				
471 9222-59	11	762 9102-05	45				
471 9529-10	27	877 5211-08	45				
471 9550-54*	7						
471 9550-59*	7						
471 9558-12	27						
471 9558-12	29						
471 9573-02	43						
471 9608-01	63						
471 9628-32	31						
471 9628-33	31						
471 9635-10	43						
471 9635-11	43						
471 9678-94	43						
471 9679-01	15						
471 9680-01	71						
471 9778-01	41						
471 9784-01	41						
471 9822-21	7						
471 9822-22	7						
471 9822-23	7						
471 9822-99	7						
471 9823-41	7						
471 9883-02	61						
471 9884-01	61						
472 6761-01	45						
472 9913-01	13						
472 9913-07	7						
472 9913-08	7						
472 9913-10	7						
472 9913-19	11						
472 9913-21	67						
472 9913-22	7						
472 9913-43	27						
472 9913-43	29						
472 9913-43	37						
472 9913-72	15						
725 2366-61	13						
725 2461-51	7						
725 2464-51	7						
725 2465-71	7						
728 8362-11	13						
731 2312-01	69						
732 2112-01	25						
732 2118-01	7						
732 2118-01	11						
732 2118-01	17						
732 2122-01	17						
734 1178-01	17						
735 3147-00	11						
735 9630-01	11						
736 2816-51	45						
736 2825-51	45						



## **WASCOMAT**

461 Doughty Blvd., Inwood, L.I., N.Y. 11096-0338

Telephone: 516-371-4400

Parts and Service FAX: 516-371-4029

Sales and Administration FAX: 516-371-4204