

EX-80, EX-80 HI-TEK

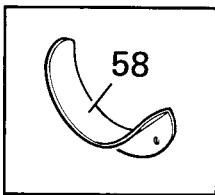
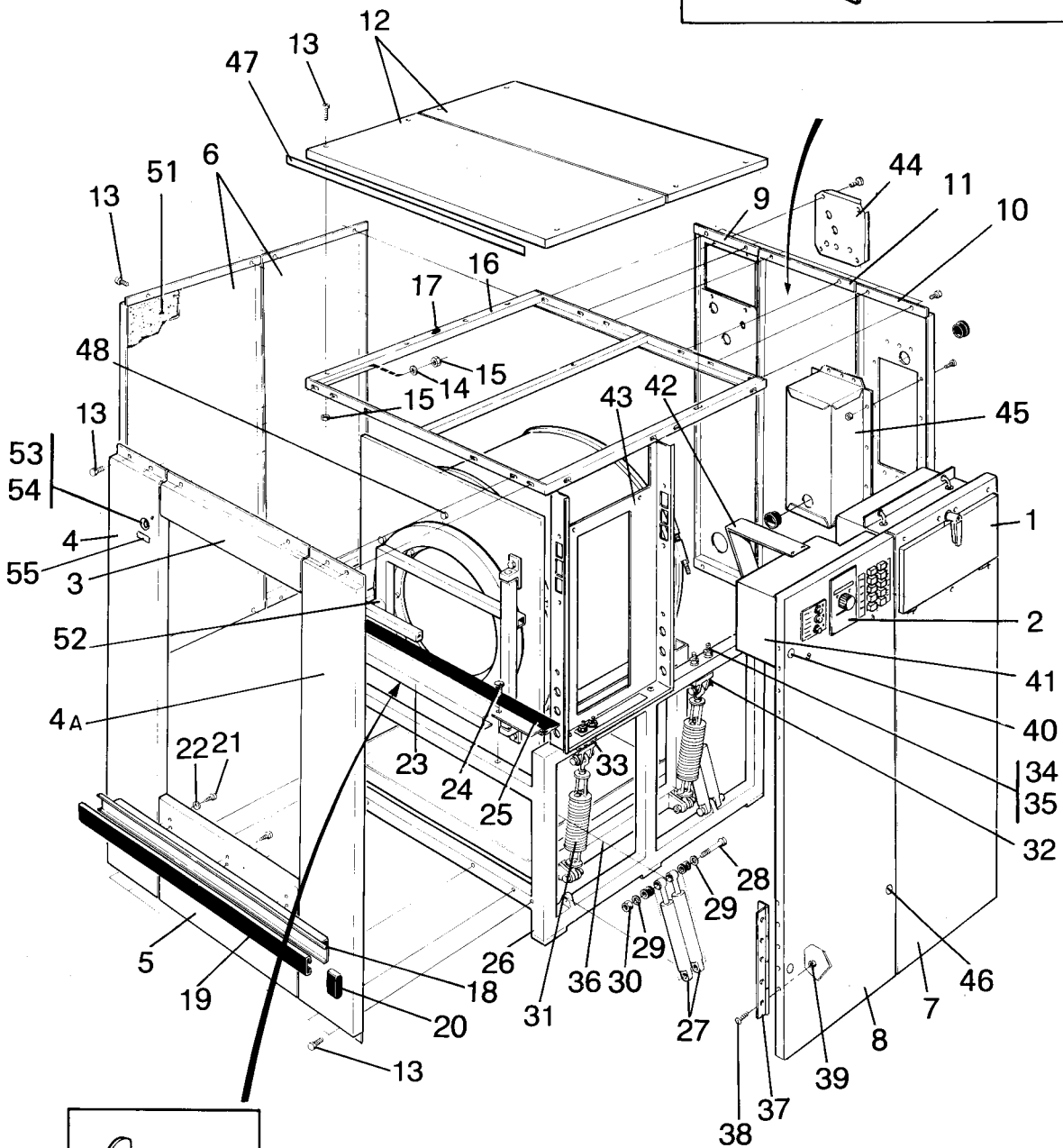
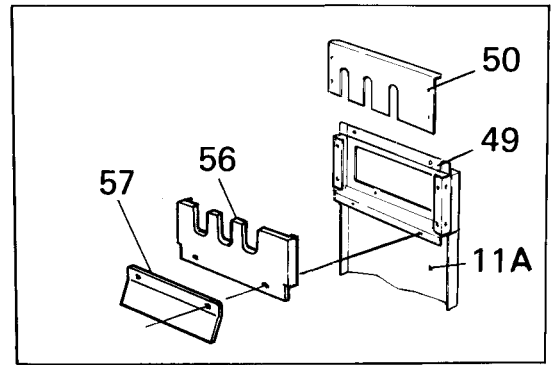
List of issues

EX-80,EX-80 HI-TEK

Illustration	Page	Table of contents
100046	69	Inlet valve 3/4", 3-way
100192	53	Tilt, forward
100193	37	Control unit MP
100211	55	Third water valve
100212	57	Water and heat recovery systems
100214	11	Main exploded view
100215	35	Control panel
100226	25	Drain valve and hoses
100227	19	Water connections 1 1/2"
100228	17	Water connections 1 1/4"
100229	21	Steam connections
100313	7	Main exploded view
100314	15	Water inlet 1 1/4
100315	23	Drain valve and hoses
100317	31	Control unit
100318	39	Rear electric cabinet
100319	41	Out of balance switch
100320	43	Motor bracket and motors
100321	47	Door
100322	49	Suspension
100323	51	Dispensing components
100363	65	Pressure amplifier
100574	73	Steam inlet valve
100586	75	Wash motor
100587	77	Centrifugal motor with clutch
100605	79	Card programmer
100611	83	Pump
100626	85	Door lock
100679	61	Feed funnel
100699	63	Valve block for tilting device
100700	59	Tilting device and funnel
100798	71	Inlet valve 3/4", 2-way
100826	81	Memory cartridge complete
101112	27	Inner and outer drum, pulley
101113	67	Liquid detergent

EX-80,EX-80 HI-TEK

Table of contents	Table des matières	Page/Page
Main exploded view	Vue éclatée principale	7
Main exploded view	Vue éclatée principale	11
Water inlet 1 1/4"	Raccords eau d'1 1/4"	15
Water connections 1 1/4"	Raccords eau d'1 1/4"	17
Water connections 1 1/2"	Raccords eau d' 1 1/2"	19
Steam connections	Raccords du circuit de vapeur	21
Drain valve and hoses	Soupape de purge et flexibles	23
Drain valve and hoses	Soupape de purge et flexibles	25
Inner and outer drum, pulley	Tambour intérieur et extérieur, poulie	27
Control unit	Unité de commande	31
Control panel	Pignon arrière avec tambour intérieur	35
Control unit MP	Unité de commande MP	37
Rear electric cabinet	Armoire arrière	39
Out of balance switch	Commutateur asymétrique	41
Motor bracket and motors	Support-moteur et moteurs	43
Door	Plaque	47
Suspension	Suspension	49
Dispensing components	Distributeur de savon	51
Tilt, forward	Inclinable vers l'avant	53
Third water valve	Soupapes vapeur et eau	55
Water and heat recovery systems	Systèmes, récupération d'eau et de chaleur	57
Tilting device and funnel	Systèmes, récupération d'eau et de chaleur	59
Feed funnel	Dispositif	61
Valve block for tilting device	Valves de basculement	63
Pressure amplifier	Pompe refoulante auxiliaire	65
Liquid detergent	Produit de lavage liquide	67
Inlet valve 3/4", 3-way	Soupape de admission 3/4", 3 voies	69
Inlet valve 3/4", 2-way	Soupape de admission 3/4", 2 voies	71
Steam inlet valve	Soupape	73
Wash motor	Moteur de lavage	75
Centrifugal motor with clutch	Connexion avec moteur	77
Card programmer	Programmateur cartes	79
Memory cartridge complete	Cassette de mémoire complet	81
Pump	Pompe	83
Door lock	Serrure de porte	85



Issue	Month	Year
05	02	96

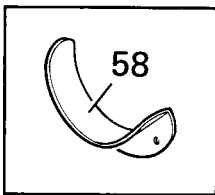
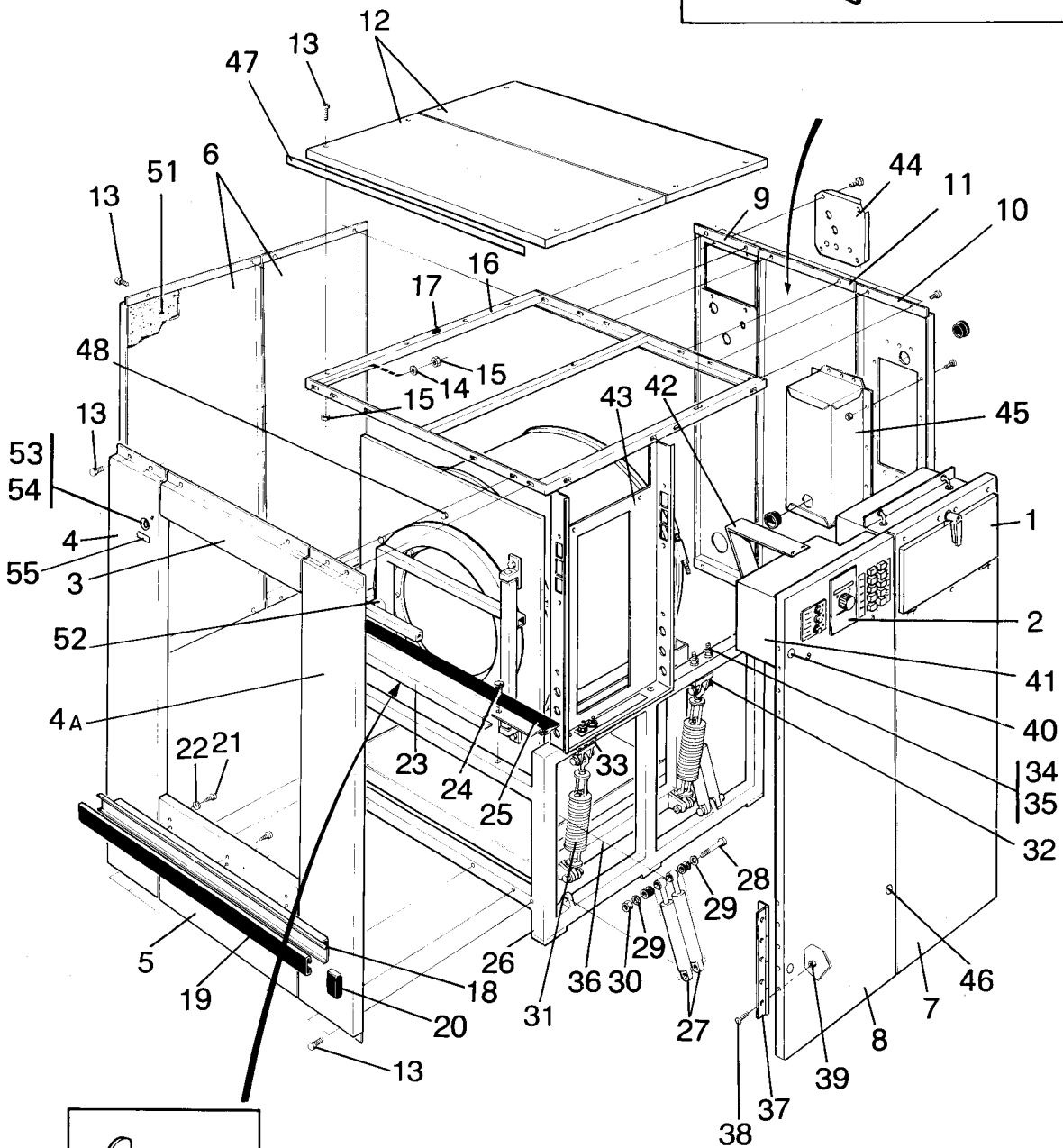
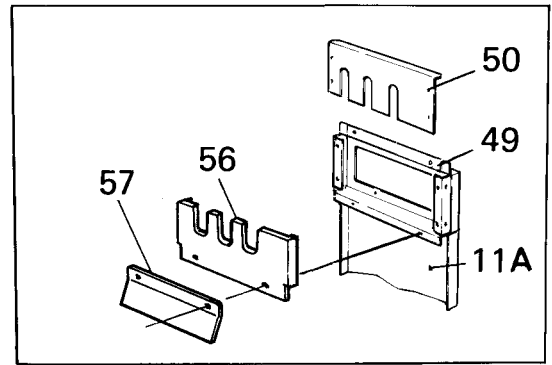
EX-80 90/166437-,EX-80 HI-TEK 90/166437-

Main exploded view

Vue éclatée principale

Illustration Issue Month Year
Schéma Issue Month Year
100313 4 3 1997

Item Article	Qua Qua	Art.No Réf. article	Description	Description	Info Info	Notes Remarques
1	1	472 7256-01	Detergent dispenser	Doseur de produit de lavage	3	See illustr. 100323
2	1		Control	Contrôle		See illustr. 100317
3	1	472 7242-01	Front panel	Panneau avant	3	
4	1	472 7271-02	Front panel	Panneau avant	3	WITH EMERGENCY STOP
4A	1	472 7271-01	Front panel	Panneau avant	3	
5	1	472 6202-04	Front panel	Panneau avant	3	
6	2	472 6202-12	Side panel	Panneau latéral	3	White
	2	472 6202-14	Side panel	Panneau latéral	3	Stainless
7	1	472 7241-01	Side panel	Panneau latéral	3	White
	1	472 7241-02	Side panel	Panneau latéral	3	Stainless
8	1	472 7238-01	Side panel	Panneau latéral	3	White
	1	472 7238-02	Side panel	Panneau latéral	3	Stainless
9	1	472 6202-16	Plate	Plaque	3	-87/0793
	1	472 6202-19	Plate	Plaque	3	87/0794-
10	1	472 6202-17	Plate	Plaque	3	
11	1	472 6202-13	Plate	Plaque	3	-87/0793
11A	1	472 6202-18	Plate	Plaque	3	87/0794-
12	2	472 7240-01	Top panel	Couvercle	3	White
	2	472 7240-02	Top panel	Couvercle	3	Stainless
13	RQ	725 2449-51	Screw	Vis	3	M8X16
14	RQ	734 1164-01	Washer	Rondelle	3	8,4X17
15	RQ	733 6117-01	Nut	Écrou	3	M8
16	1	472 6236-00	Frame	Châssis	3	
17	12	471 8641-01	Plug	Fiche	3	
18	1	471 5560-00	Profile	Profilé	3	
19	1	471 5564-00	Safety strip	Lame sécurité plomb	3	
20	2	471 9204-93	Sleeve	Manchon	3	
21	6	729 5340-42	Screw	Vis	3	RXS B8X9,5
22	6	734 1146-09	Washer	Rondelle	3	BRB 5,3X10
23	1	472 6266-00	Rail	Support	3	
24	RQ	725 2455-61	Screw	Vis	3	M8X30
25	1	471 8176-02	Cover	Couvercle	3	
26	1	472 6255-00	Frame	Base	3	
27	8	471 9043-21	Shock absorber	Amortisseur	1,2	
28	8	725 2507-51	Screw	Vis	3	M10X80
29	16	734 1173-01	Washer	Rondelle	3	BRB 10,5X21
30	8	732 2120-01	Locking nut	Contre-écrou	3	M10
31	4	472 6234-00	Suspension unit	Organe de suspension	1	See illustr. 100322
32	4	472 6226-00	Bracket	Support de montage	3	
33	10	472 7201-01	Washer	Rondelle	3	
34	8	734 1178-01	Washer	Rondelle	3	BRB 13X24
35	8	732 2122-01	Locking nut	Contre-écrou	3	M12
36	1	472 6253-00	Frame	Base	3	WHEN ORDERING STATE MACHINE NO See illustr. 100320
37	2	472 7264-01	Hinged joint	Assemblage articulé	3	
38	10	724 3289-01	Screw	Vis	3	M4X10
39	10	732 2112-01	Locking nut	Contre-écrou	3	M4
40	2	471 8520-01	Safety lid	Couvercle protection	3	
41	1	472 7265-01	Box	Boîtier	3	
42	1	472 7247-01	•Bracket	•Support de montage	3	
43	1	472 7239-01	Box	Boîtier	3	
44	1		Valve plate	Plaque de soupape		See illustr. 100214
45	1		Electric cabinet	Passage de câbles		Rear See illustr. 100318
46	2	471 7830-02	Lock	Serrure	1,2	
47	1	471 7634-95			3	WASCOMAT EXTRACT-O-MATICEX-8
48	6	725 2449-42	Screw	Vis	3	M8
49			Connection	Connexion		See illustr. 100317



Issue	Month	Year
05	02	96

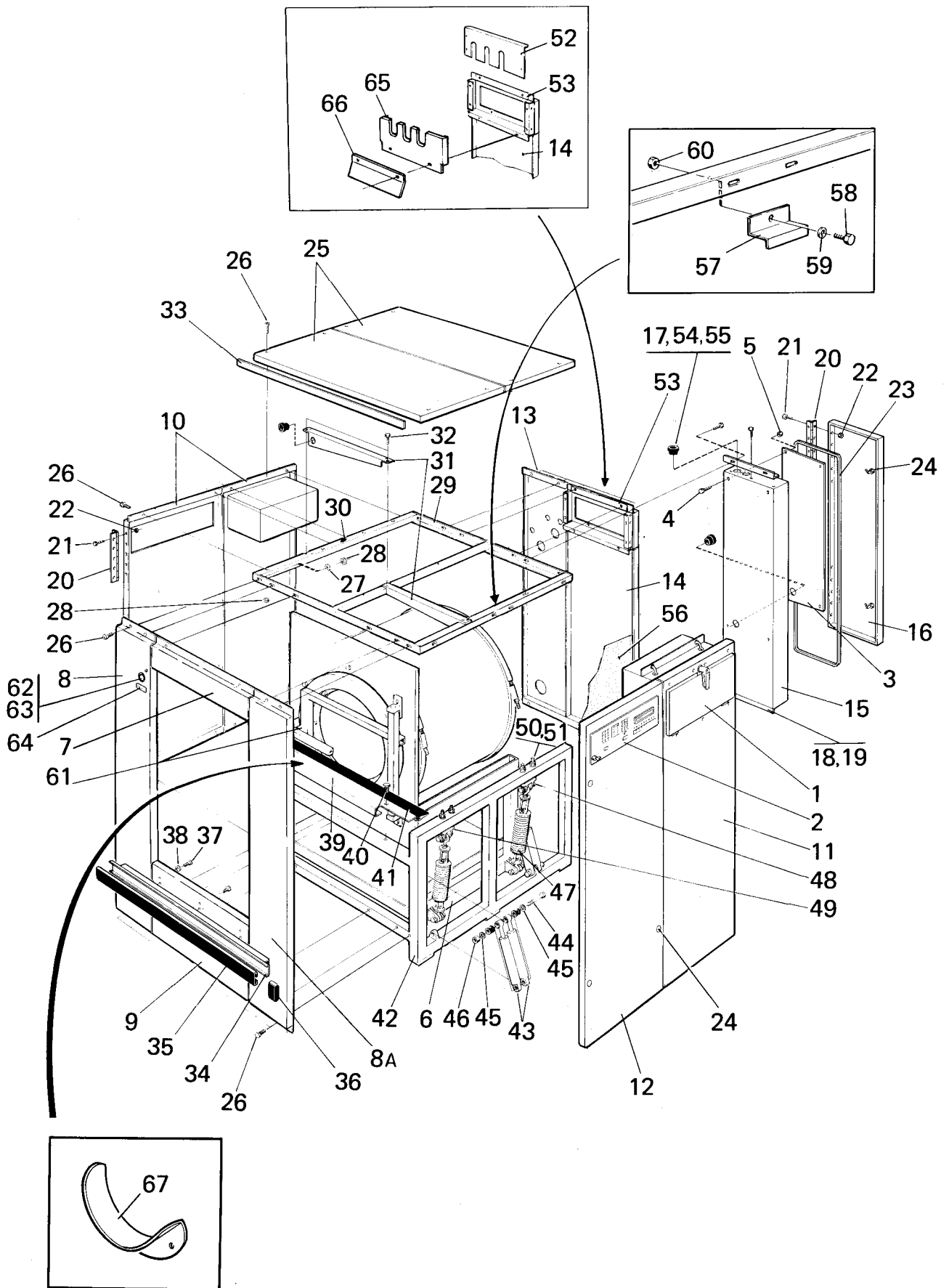
EX-80 90/166437-,EX-80 HI-TEK 90/166437-

Main exploded view

Vue éclatée principale

Illustration Issue Month Year
Schéma Issue Month Year
100313 4 3 1997

Item Article	Qua Qua	Art.No Réf. article	Description	Description	Info Info	Notes Remarques
50	1	471 7295-01	Cover	Couvercle	3	
51	RQ	988 8015-03	Shock absorber mat	Tapis amortisseur chocs	3	
52			Door locking device	Serrure de porte		SEE See group US8705
53	1	471 9628-14	Emergency stop	Arrêt d'urgence	1,2	
54	1	471 9628-99	Anti-rotation ring	Anneau antirotation	3	
55	1	471 7665-02	Sign	Signe	3	English
	1	471 7665-04	Sign	Signe	3	French
	1	471 7665-07	Sign	Signe	3	Spanish
56	1	438 4852-01	Cover plate	Plaque recouvrement	3	2-WATER
	1	438 4852-02	Cover plate	Plaque recouvrement	3	3-WATER
57	1	438 4853-01	Screen plate	Plaque de blindage	3	
58	1	438 4873-03	Profile	Profilé	3	OPTION



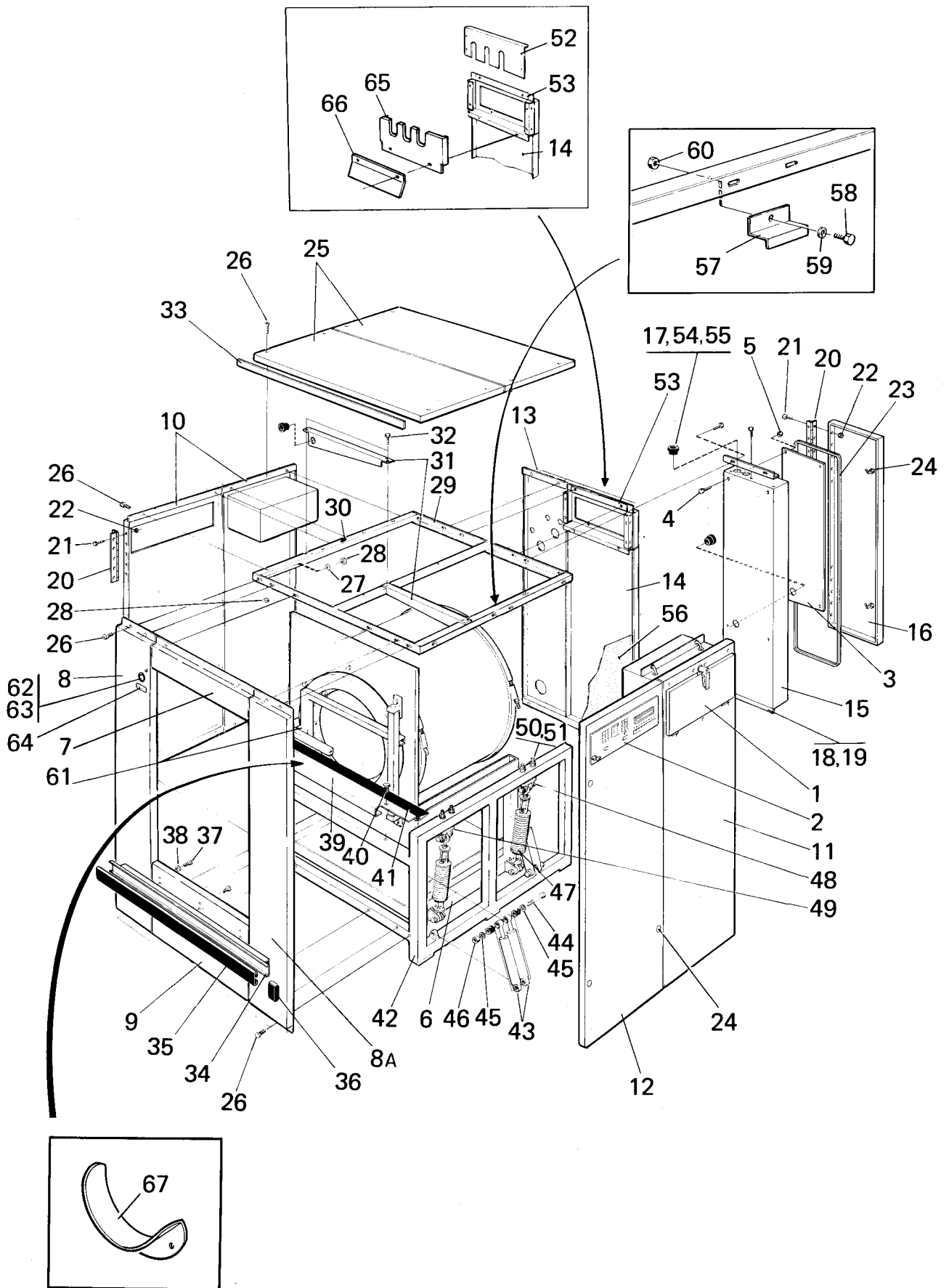
EX-80,EX-80 HI-TEK

Main exploded view

Vue éclatée principale

Illustration Issue Month Year
Schéma Issue Month Year
100214 5 3 1997

Item Article	Qua Qua	Art.No Réf. article	Description	Description	Info Info	Notes Remarques
1	1	472 7256-01	Detergent dispenser	Doseur de produit de lavage		See illustr. 100323
2	1		Control panel	Pupitre de commande		See illustr. 100215
3	1		Control unit	Unité de contrôle		See illustr. 100193
4	4	725 2374-51	Screw	Vis	3	M6X30
5	RQ	731 2316-01	Nut	Écrou	3	M6
6	1	472 6253-00	Frame	Base	3	WHEN ORDERING STATE MACHINE NO
7	1	472 7242-01	Front panel	Panneau avant	3	
8	1	472 7271-02	Front panel	Panneau avant	3	WITH EMERGENCY STOP
8A	1	472 7271-01	Front panel	Panneau avant	3	
9	1	472 6202-04	Front panel	Panneau avant	3	
10	2	472 6202-12	Side panel	Panneau latéral	3	White
	2	472 6202-14	Side panel	Panneau latéral	3	Stainless
11	1	472 7241-01	Side panel	Panneau latéral	3	White
	1	472 7241-02	Side panel	Panneau latéral	3	Stainless
12	1	472 7238-03	Side panel	Panneau latéral	3	White
	1	472 7238-04	Side panel	Panneau latéral	3	Stainless LIQUID DETERGENT
	1	472 7238-04	Side panel	Panneau latéral	3	Stainless
13	1	472 6202-19	Plate	Plaque	3	
	1	472 6202-20	Plate	Plaque	3	LIQUID DETERGENT
14	1	472 6202-18	Plate	Plaque	3	
15	1	472 7287-01	Electric cabinet	Passage de câbles	3	
16	1	472 7290-01	Door	Porte	3	
17	1	471 8753-10	Screw fitting	Vis de raccord	3	
18	2	472 7292-01	Angle	Coude	3	
19	RQ	725 2368-51	Screw	Vis	3	M6X16
20	4	472 7264-01	Hinged joint	Assemblage articulé	3	
21	RQ	724 3289-01	Screw	Vis	3	M4X10
22	RQ	732 2112-01	Locking nut	Contre-écrou	3	M4
23	RQ	471 9203-62	Gasket	Bande de garniture	1	
24	4	471 7830-02	Lock	Serrure	1,2	
25	2	472 7240-01	Top panel	Couvercle	3	White
	2	472 7240-02	Top panel	Couvercle	3	Stainless
26	RQ	725 2449-51	Screw	Vis	3	M8X16
27	RQ	734 1164-01	Washer	Rondelle	3	8,4X17
28	RQ	733 6117-01	Nut	Écrou	3	M8
29	1	472 6236-00	Frame	Châssis	3	
30	12	471 8641-01	Plug	Fiche	3	
31	1	472 7291-01	Angle	Coude	3	
32	12	729 5342-01	Screw	Vis	3	
33	1	471 7639-56			3	WASCOMAT EXTRACT-O-MATIC EX-80 HI-TEK
34	1	471 5560-00	Profile	Profilé	3	
35	1	471 5564-00	Safety strip	Lame sécurité plomb	3	
36	2	471 9204-93	Sleeve	Manchon	3	
37	8	729 5340-42	Screw	Vis	3	RXS B8X9,5
38	6	734 1146-09	Washer	Rondelle	3	BRB 5,3X10
39	1	472 6266-00	Rail	Support	3	
40	RQ	725 2455-61	Screw	Vis	3	M8X30
41	1	471 8176-02	Cover	Couvercle	3	
42	1	472 6255-00	Frame	Base	3	
43	8	471 9043-21	Shock absorber	Amortisseur	1,2	
44	8	725 2507-51	Screw	Vis	3	M10X80
45	16	734 1173-01	Washer	Rondelle	3	BRB 10,5X21
46	8	732 2120-01	Locking nut	Contre-écrou	3	M10
47	4	472 6234-00	Suspension unit	Organe de suspension	1	See illustr. 100322
48	4	472 6226-00	Bracket	Support de montage	3	



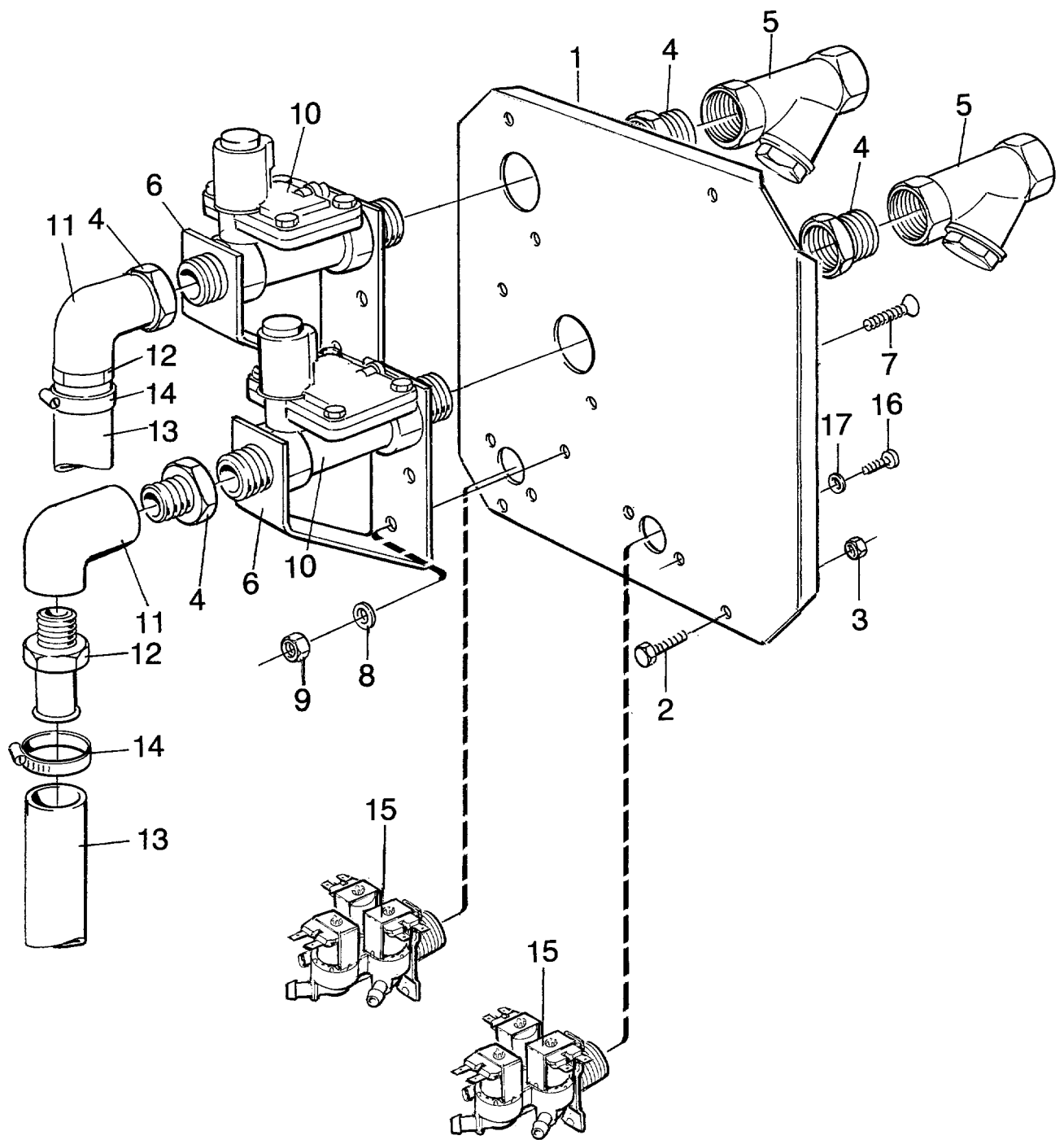
EX-80,EX-80 HI-TEK

Main exploded view

Vue éclatée principale

Illustration Issue Month Year
Schéma Issue Month Year
100214 5 3 1997

Item Article	Qua Qua	Art.No Réf. article	Description	Description	Info Info	Notes Remarques
49	10	472 7201-01	Washer	Rondelle	3	
50	8	734 1178-01	Washer	Rondelle	3	BRB 13X24
51	8	732 2122-01	Locking nut	Contre-écrou	3	M12
52	1	472 7295-01	Cover	Couvercle	3	
53			Connection	Connexion		See illustr. 100213, 100228
54	RQ	471 8753-61	Muff	Tubulure	3	
55	RQ	471 8753-52	Nut	Écrou	3	
56	RQ	988 8015-03	Shock absorber mat	Tapis amortisseur chocs	3	
57	1	472 9089-01	Support	Support	3	
58	1	725 5449-01	Screw	Vis	3	M8X16
59	1	734 1164-01	Washer	Rondelle	3	8,4X17
60	1	733 6117-01	Nut	Écrou	3	M8
61			Door locking device	Serrure de porte		SEE See group US8705
62	1	471 9628-14	Emergency stop	Arrêt d'urgence	1,2	
63	1	471 9628-99	Anti-rotation ring	Anneau antirotation	3	
64	1	471 7665-02	Sign	Signe	1	English
	1	471 7665-04	Sign	Signe	3	French
	1	471 7665-07	Sign	Signe	3	Spanish
65	1	438 4852-01	Cover plate	Plaque recouvrement	3	2-WATER
	1	438 4852-02	Cover plate	Plaque recouvrement	3	3-WATER
66	1	438 4853-01	Screen plate	Plaque de blindage	3	
67	1	438 4873-03	Profile	Profilé	3	OPTION



Issue	Month	Year
01	05	88

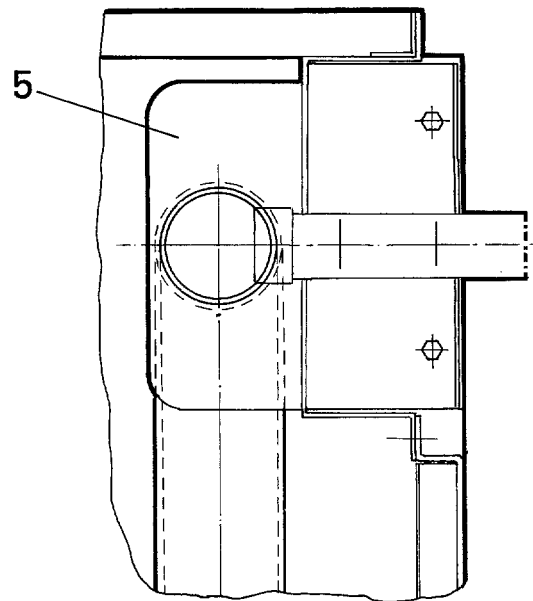
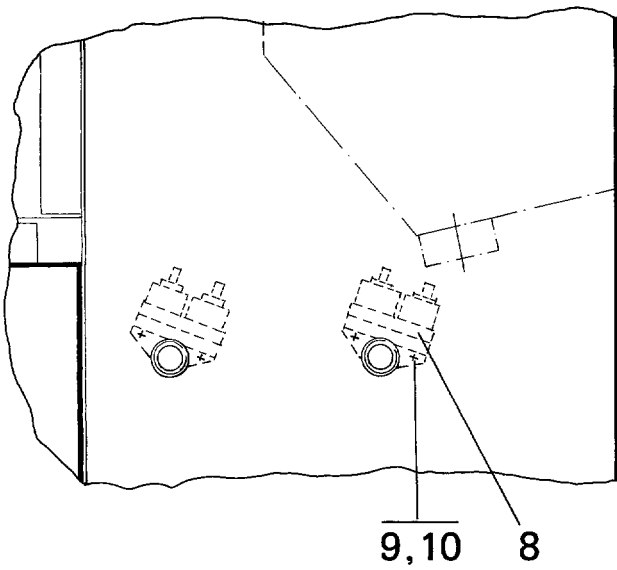
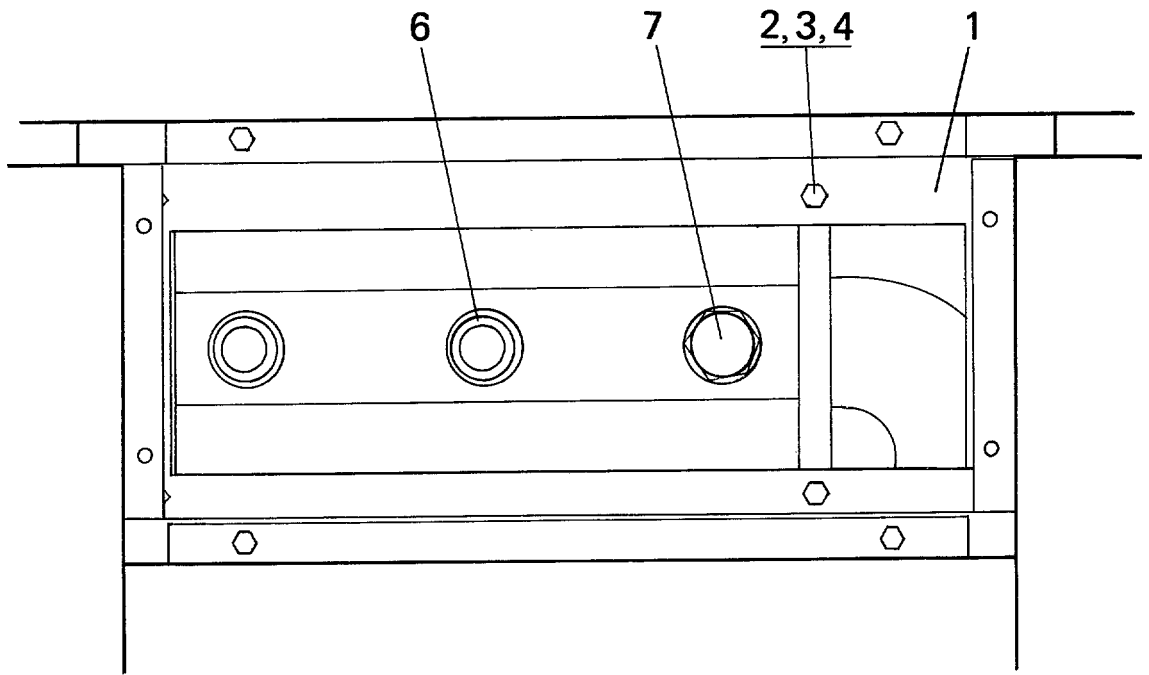
EX-80 -87/0793,EX-80 HI-TEK -87/0793

Water inlet 1 1/4

Raccords eau d'1 1/4"

Illustration Issue Month Year
Schéma Issue Month Year
100314 3 9 1991

Item Article	Qua Qua	Art.No Réf. article	Description	Description	Info Info	Notes Remarques
1	1	472 6384-10	Plate	Plaque	3	1 1/4"
2	4	725 2368-51	Screw	Vis	3	M6X16
3	4	732 2116-01	Locking nut	Contre-écrou	3	M6
4	4	741 3117-32	Nipple	Raccord	1	R 1 1/4"
5	2	744 3117-06	Filter	Filtre	1,2	R 1 1/4" 1 1/4"
6	2	472 7269-01	Bracket	Support de montage	3	
7	4	725 2449-51	Screw	Vis	3	M8X16
8	4	734 1164-01	Washer	Rondelle	3	8,4X17
9	4	731 2318-01	Nut	Écrou	3	M8
10	2	471 8210-32	Valve	Soupape	1,2	1 1/4" 50Hz See group US8116
	2	471 8210-31	Valve	Soupape	1,2	1 1/4" 60Hz See group US8116
11	2	742 1117-20	Angle	Coude	3	
12	2	471 8614-00	Hose nipple	Mamelon de flexible	1	
13	2	471 8123-02	Hose	Flexible	1	
14	1	736 2834-51	Hose clamp	Attache flexible	3	Ø38-48
15	2	471 8236-01	Valve	Soupape	1,2	208-240V 50Hz 3-way See group US8113
	2	471 8236-07	Valve	Soupape	1,2	60Hz 3-way See group US8113
16	4	724 1289-01	Screw	Vis	3	M4X10
17	4	734 1136-01	Washer	Rondelle	3	BRB 4,3X9



Issue	Month	Year
01	05	88

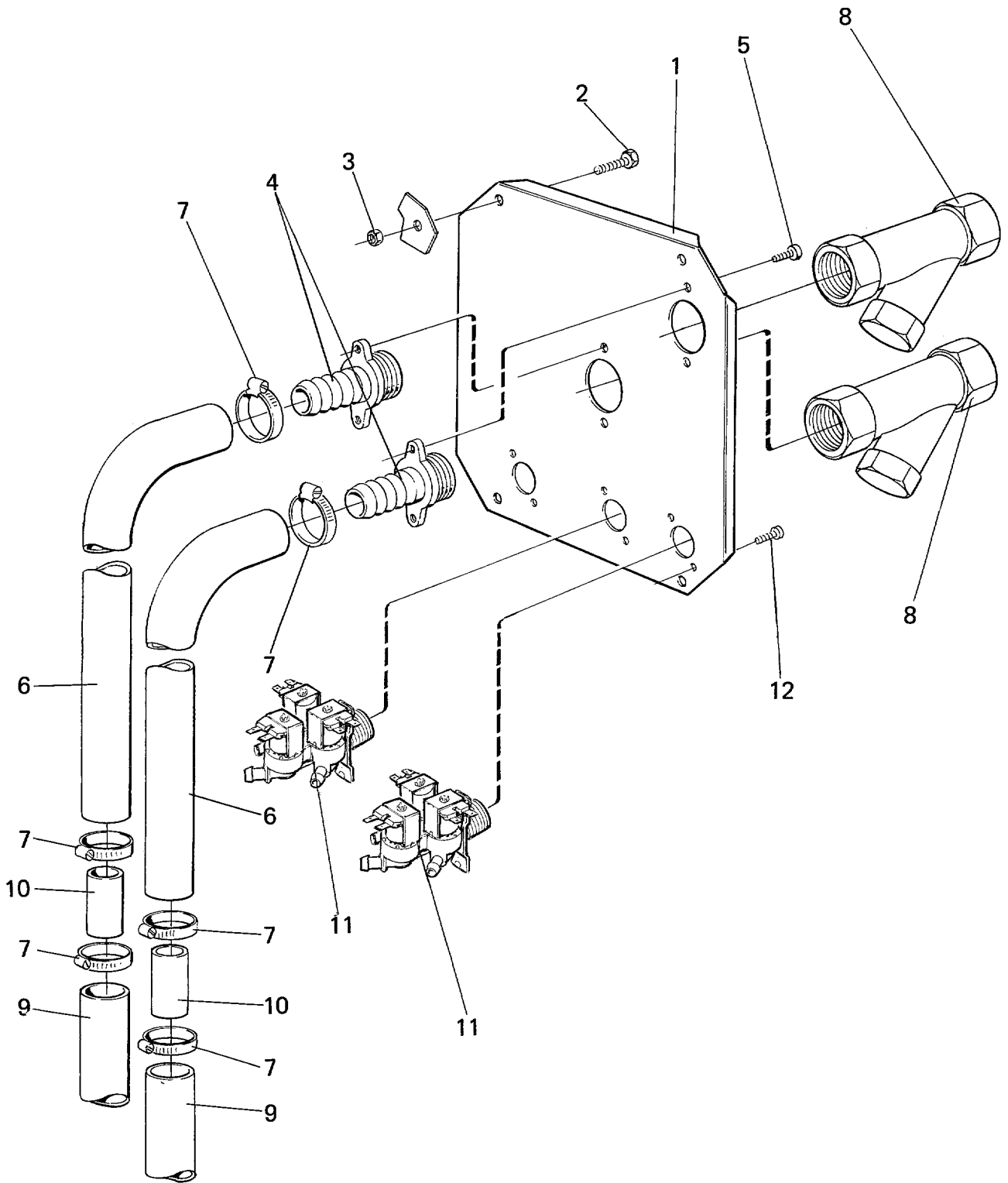
EX-80 87/0794-,EX-80 HI-TEK 87/0794-

Water connections 1 1/4"

Raccords eau d'1 1/4"

Illustration Issue Month Year
Schéma Issue Month Year
100228 4 7 1993

Item Article	Qua Qua	Art.No Réf. article	Description	Description	Info Info	Notes Remarques
1	1	472 7294-01	Frame	Châssis	3	
2	4	725 2449-51	Screw	Vis	3	M8X16
3	4	734 1164-01	Washer	Rondelle	3	8,4X17
4	4	731 2318-01	Nut	Écrou	3	M8
5	1	472 7296-01	Collector pipe	Collecteur	3	-93/1364
	1	472 7296-02	Collector pipe	Collecteur	3	93/1365-
6	2	471 8210-32	Valve	Soupape	1,2	1 1/4" 50Hz See group US8116
	2	471 8210-31	Valve	Soupape	1,2	1 1/4" 60Hz See group US8116
7	2	741 3117-32	Nipple	Raccord	3	R 1 1/4"
8	2	471 8657-05	Plug	Fiche	3	
9	2	741 3833-24	Nipple	Raccord	3	DN40-32
10	1	741 5217-25	Plug	Fiche	3	
11	2	471 8236-01	Valve	Soupape	1,2	208-240V 50Hz 3-way See group US8113
	2	471 8236-07	Valve	Soupape	1,2	60Hz 3-way See group US8113
12	4	724 1289-01	Screw	Vis	3	M4X10
13	4	734 1136-01	Washer	Rondelle	3	BRB 4,3X9
14	2	744 3117-06	Filter	Filtre	1,2	R 1 1/4"



Issue	Month	Year
01	05	88

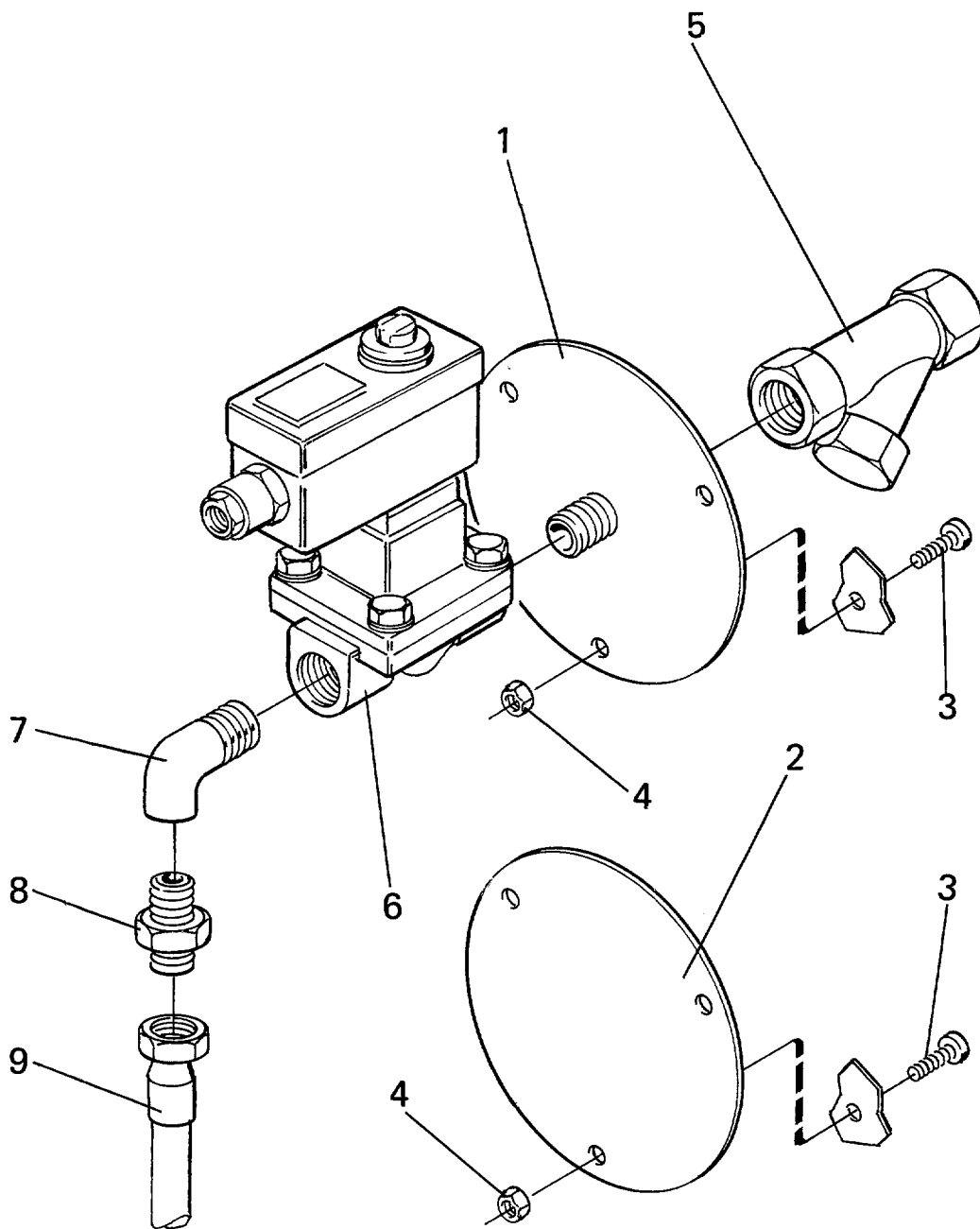
EX-80 -87/0793,EX-80 HI-TEK -87/0793

Water connections 1 1/2"

Raccords eau d' 1 1/2"

Illustration	Issue	Month	Year
Schéma	Issue	Month	Year
100227	2	9	1991

Item Article	Qua Qua	Art.No Réf. article	Description	Description	Info Info	Notes Remarques
1	1	472 6384-08	Plate	Plaque	3	1 1/2"
2	4	725 2368-51	Screw	Vis	3	M6X16
3	4	732 2116-01	Locking nut	Contre-écrou	3	M6
4	2	472 7261-01	Nipple	Raccord	1	
5	4	723 5323-42	Screw	Vis	3	M5X8
6	2	471 4009-59	Hose	Flexible	1	
7	1	736 2834-51	Hose clamp	Attache flexible	3	Ø38-48
8	2	744 3118-06	Filter	Filtre	1,2	1 1/2"
9	2	471 4403-01	Hose	Flexible	1	
10	2	472 6268-03	Pipe	Tube	3	
11	2	471 8236-01	Valve	Soupape	1,2	208-240V 50Hz 3-way See group US8113
	2	471 8236-07	Valve	Soupape	1,2	60Hz 3-way See group US8113
12	4	724 1293-42	Screw	Vis	3	M4X16



100229

Issue	Month	Year
01	05	88

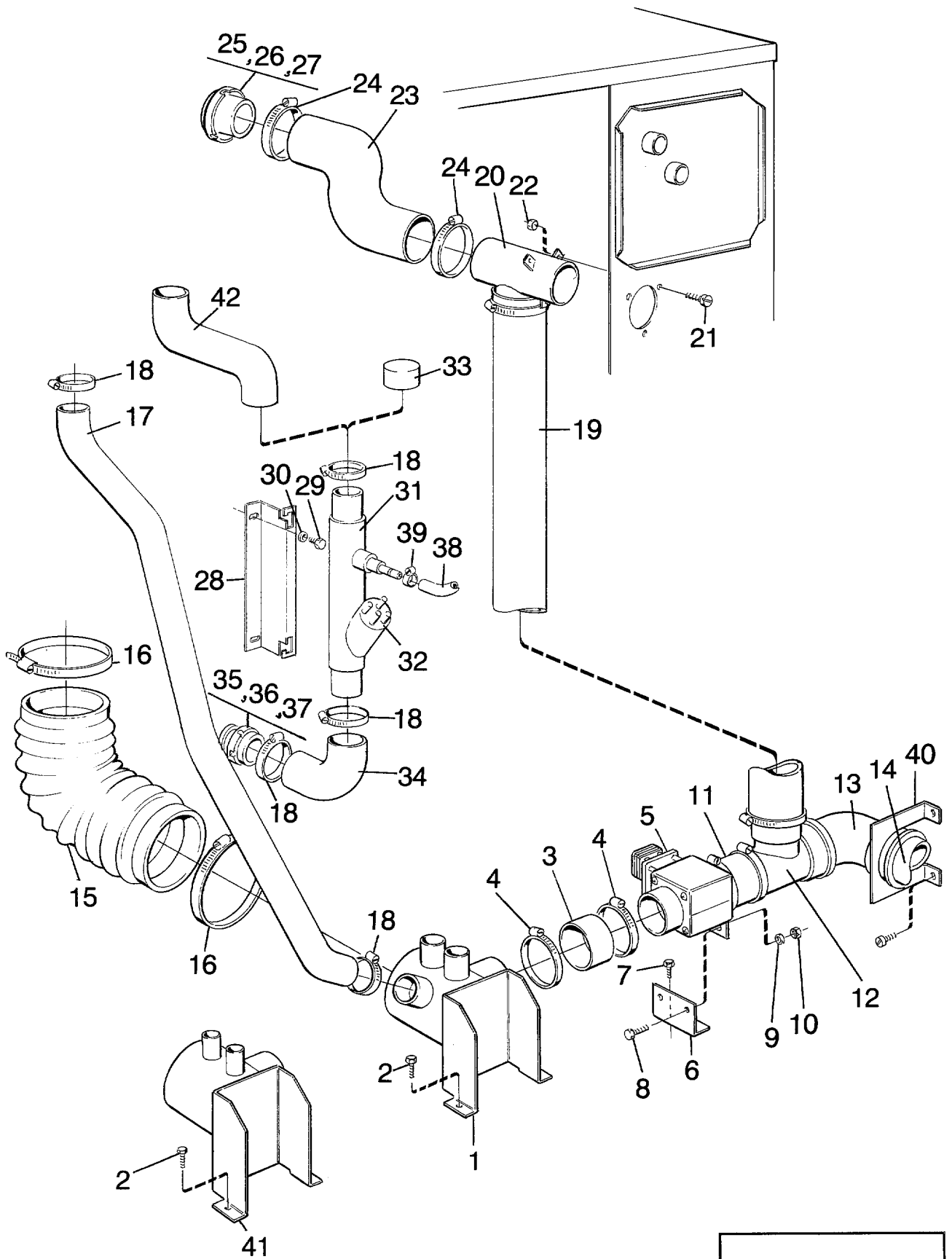
EX-80 -87/0793,EX-80 HI-TEK -87/0793

Steam connections

Raccords du circuit de vapeur

Illustration Issue Month Year
Schéma Issue Month Year
100229 2 3 1997

Item Article	Qua Qua	Art.No Réf. article	Description	Description	Info Info	Notes Remarques
1	1	471 4647-46	Mounting plate	Plaque de montage	3	
2	1	471 2442-62	Mounting plate	Plaque de montage	3	
3	3	725 2368-51	Screw	Vis	3	M6X16
4	3	732 2116-01	Locking nut	Contre-écrou	3	M6
5	1	744 3115-06	Filter	Filtre	1,2	R 3/4"
6	1	471 8218-02	Valve	Soupape	1,2	50/60Hz
7	2	471 9030-35	Elbow pipe	Tube en V	3	3/4"
8	2	471 9219-38	Nipple	Raccord	1	3/4"
9	1	471 8126-03	Hose	Flexible	1	DS
	1	471 8126-19	Hose	Flexible	1	EL/DS



100315

Issue	Month	Year
01	05	88

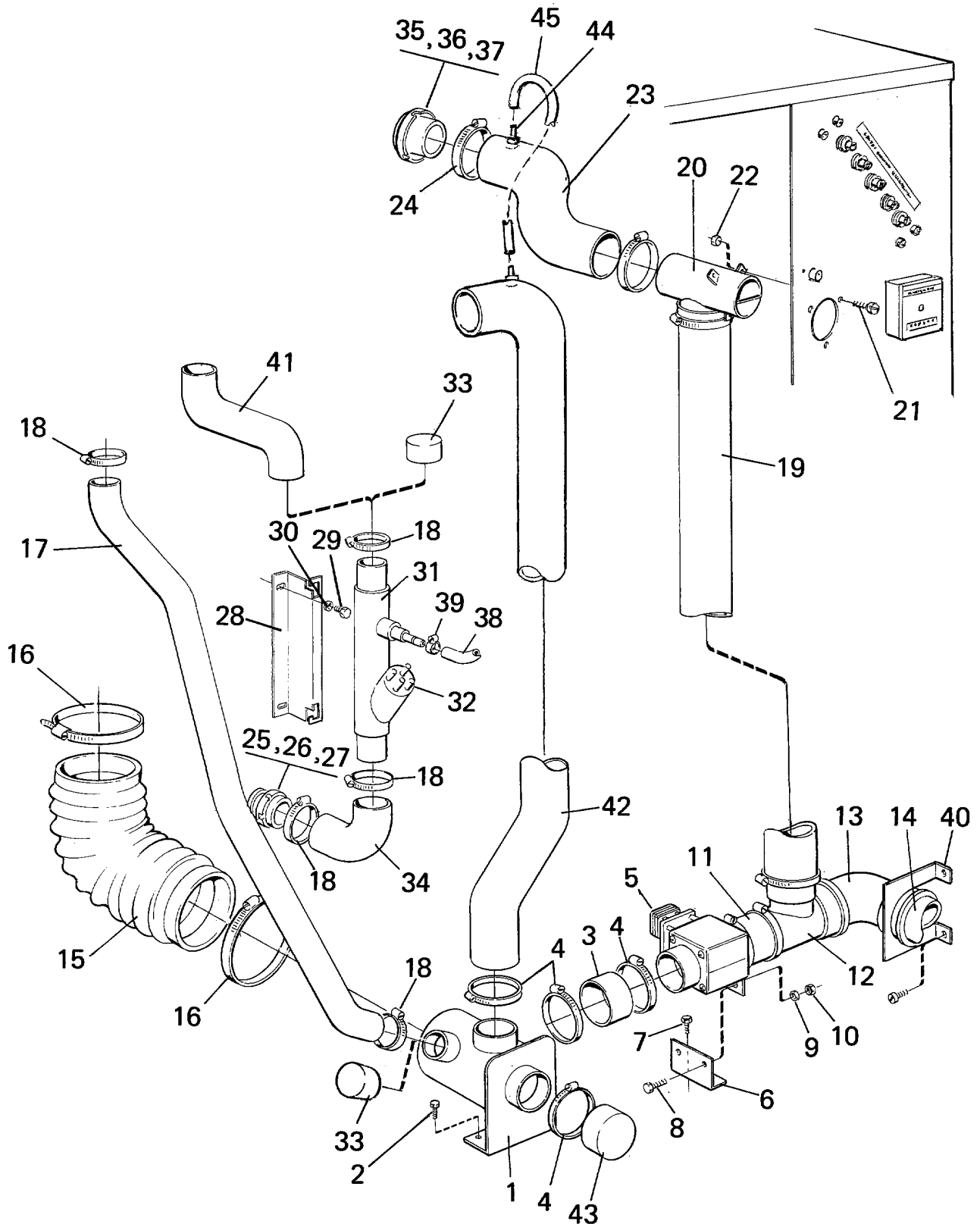
EX-80 -87/0793,EX-80 HI-TEK -87/0793

Drain valve and hoses

Soupape de purge et flexibles

Illustration Issue Month Year
Schéma Issue Month Year
100315 4 10 1994

Item Article	Qua Qua	Art.No Réf. article	Description	Description	Info Info	Notes Remarques
1	1	472 6378-10	Hose mounting	Fixation de flexible	3	RIGHT HAND DESIGN
2	2	725 2455-51	Screw	Vis	3	M8X30
3	2	471 8110-01	Hose	Flexible	1	
4	8	736 2849-51	Hose clamp	Attache flexible	3	Ø77-93
5	1	471 8215-01	Drain valve	Purgeur	1,2	50/60Hz
	1	471 6753-58	•Motor	•Moteur	1,2	50/60Hz With gear
6	1	472 6258-00	Bracket	Support de montage	3	
7	2	725 2368-51	Screw	Vis	3	M6X16
8	2	725 2449-51	Screw	Vis	3	M8X16
9	2	734 1164-01	Washer	Rondelle	3	8,4X17
10	2	731 2318-01	Nut	Écrou	3	M8
11	1	471 8613-01	Pipe	Tube	3	
12	1	471 8611-00	T-pipe	Tube en T	3	
13	1	471 8610-00	Elbow	Tube coudé	3	
14	1	471 8613-02	Pipe	Tube	3	
15	1	472 6373-01	Hose	Flexible	1	
16	2	736 2855-51	Hose clamp	Attache flexible	3	Ø138
17	1	472 7250-01	Hose	Flexible	1	RIGHT HAND DESIGN
18	4	736 2840-51	Hose clamp	Attache flexible	3	Ø50-63
19	1	471 8110-03	Hose	Flexible	1	
20	1	472 6285-00	Connection	Flexible caoutchouc	3	
21	5	725 2368-51	Screw	Vis	3	M6X16
22	3	732 2116-01	Locking nut	Contre-écrou	3	M6
23	1	471 2418-18	Hose	Flexible	1	
24	2	736 2849-51	Hose clamp	Attache flexible	3	Ø77-93
25	1	438 4101-01	Nipple	Raccord	1	
26	1	471 2441-44	Gasket	Joint	1	
27	1	438 4100-01	Nut	Écrou	1	
28	1	472 7203-01	Bracket	Support de montage	3	
29	2	725 2449-51	Screw	Vis	3	M8X16
30	2	734 1164-01	Washer	Rondelle	3	8,4X17
31	1	472 7202-01	Pipe	Tube	3	
32	1	471 8656-02	Hose connection	Connexion flexible	3	
33	1	471 2409-89	Hood	Capot	1	RIGHT HAND DESIGN
34	1	472 7206-01	Hose	Flexible	1	
35	1	438 0458-01	Nipple	Raccord	1	
36	1	471 2440-12	Gasket	Joint	1	
37	1	438 0459-01	Nut	Écrou	1	
38	1	471 2464-17	Hose	Flexible	1	
39	2	736 2816-51	Hose clamp	Attache flexible	3	Ø13-19
40	1	472 6259-00	Bracket	Pièce de retenue	3	
41	1	472 6378-04	Hose connection	Connexion flexible	3	LEFT HAND DESIGN
42	1	472 7251-01	Hose	Flexible	1	LEFT HAND DESIGN



Issue	Month	Year
03	06	93

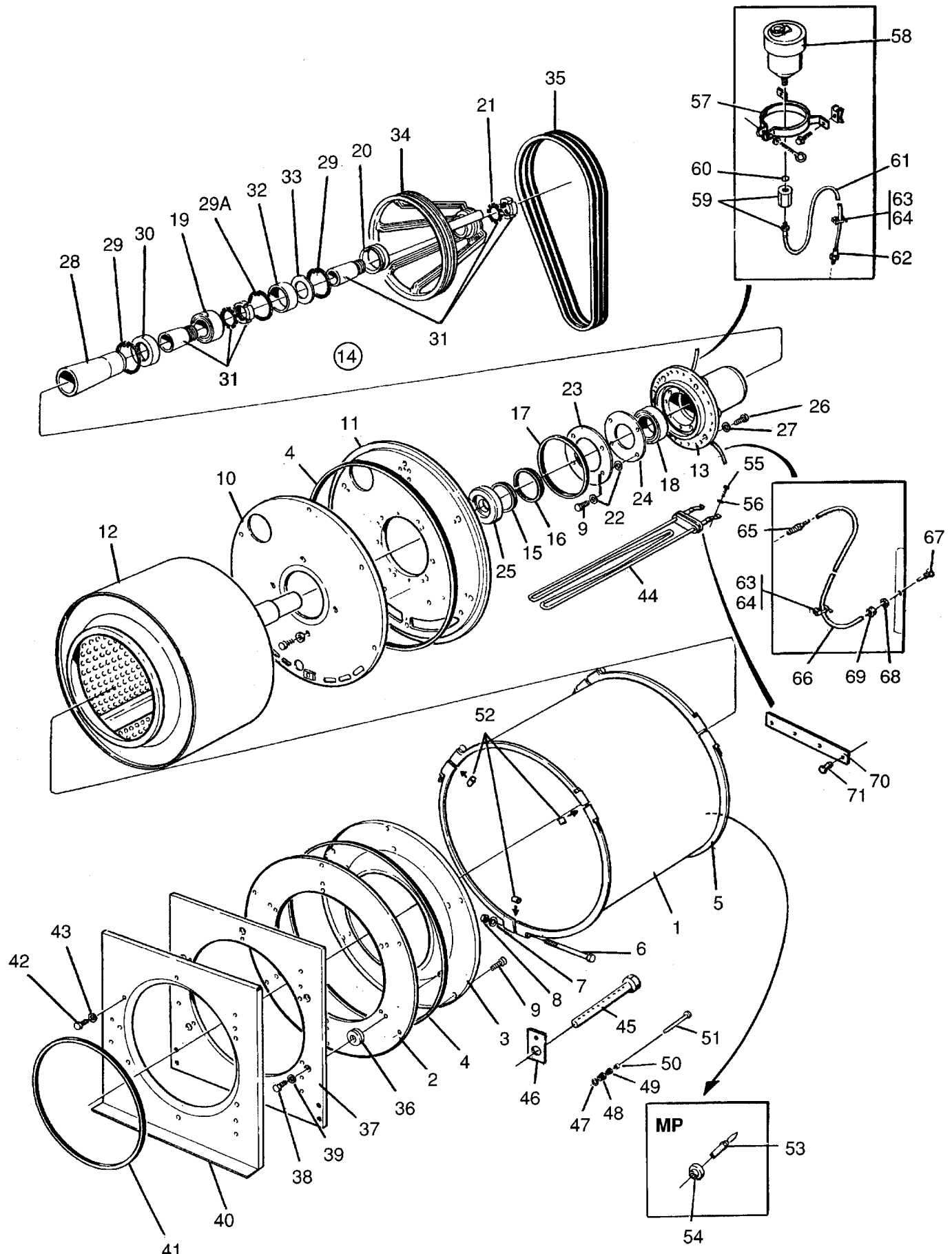
EX-80 87/0794-,EX-80 HI-TEK 87/0794-

Drain valve and hoses

Soupape de purge et flexibles

Illustration Issue Month Year
Schéma Issue Month Year
100226 6 10 1994

Item Article	Qua Qua	Art.No Réf. article	Description	Description	Info Info	Notes Remarques
1	1	472 6378-12	Hose mounting	Fixation de flexible	3	
2	2	725 2455-51	Screw	Vis	3	M8X30
3	2	471 8110-01	Hose	Flexible	1	
4	10	736 2849-51	Hose clamp	Attache flexible	3	Ø77-93
5	1	471 8215-01	Drain valve	Purgeur	1,2	50/60Hz
	1	471 6753-58	•Motor	•Moteur	1,2	50/60Hz With gear
6	1	472 6258-00	Bracket	Support de montage	3	
7	2	725 2368-51	Screw	Vis	3	M6X16
8	2	725 2449-51	Screw	Vis	3	M8X16
9	2	734 1164-01	Washer	Rondelle	3	8,4X17
10	2	731 2318-01	Nut	Écrou	3	M8
11	1	471 8613-01	Pipe	Tube	3	
12	1	471 8611-00	T-pipe	Tube en T	3	
13	1	471 8610-00	Elbow	Tube coudé	3	
14	1	471 8613-02	Pipe	Tube	3	
15	1	472 6373-01	Hose	Flexible	1	
16	2	736 2855-51	Hose clamp	Attache flexible	3	Ø138
17	1	472 7250-01	Hose	Flexible	1	RIGHT HAND DESIGN,TMPF
18	4	736 2840-51	Hose clamp	Attache flexible	3	Ø50-63
19	1	471 8110-03	Hose	Flexible	1	
20	1	472 6285-00	Connection	Flexible caoutchouc	3	
21	5	725 2368-51	Screw	Vis	3	M6X16
22	3	732 2116-01	Locking nut	Contre-écrou	3	M6
23	1	471 2418-18	Hose	Flexible	1	
24	2	736 2849-51	Hose clamp	Attache flexible	3	Ø77-93
25	1	438 4101-01	Nipple	Raccord	1	
26	1	471 2441-44	Gasket	Joint	1	
27	1	438 4100-01	Nut	Écrou	1	
28	1	472 7203-01	Bracket	Support de montage	3	
29	2	725 2449-51	Screw	Vis	3	M8X16
30	2	734 1164-01	Washer	Rondelle	3	8,4X17
31	1	472 7202-01	Pipe	Tube	3	
32	1	471 8656-02	Hose connection	Connexion flexible	3	
33	1	471 2409-89	Hood	Capot	1	
34	1	472 7206-01	Hose	Flexible	1	
35	1	438 0458-01	Nipple	Raccord	1	
36	1	471 2440-12	Gasket	Joint	1	
37	1	438 0459-01	Nut	Écrou	1	
38	1	471 2464-17	Hose	Flexible	1	
39	2	736 2816-51	Hose clamp	Attache flexible	3	Ø13-19
40	1	472 6259-00	Bracket	Pièce de retenue	3	
41	1	472 7251-01	Hose	Flexible	1	LEFT HAND DESIGN,TMPF
42	1	472 9091-01	Hose	Flexible	1	
43	1	472 9087-01	Hood	Capot	1	
44	1	471 2263-65	Nipple	Raccord	3	
45	1	471 2084-51	Hose	Flexible	1	L=500



101112

Issue	Month	Year
04	10	99

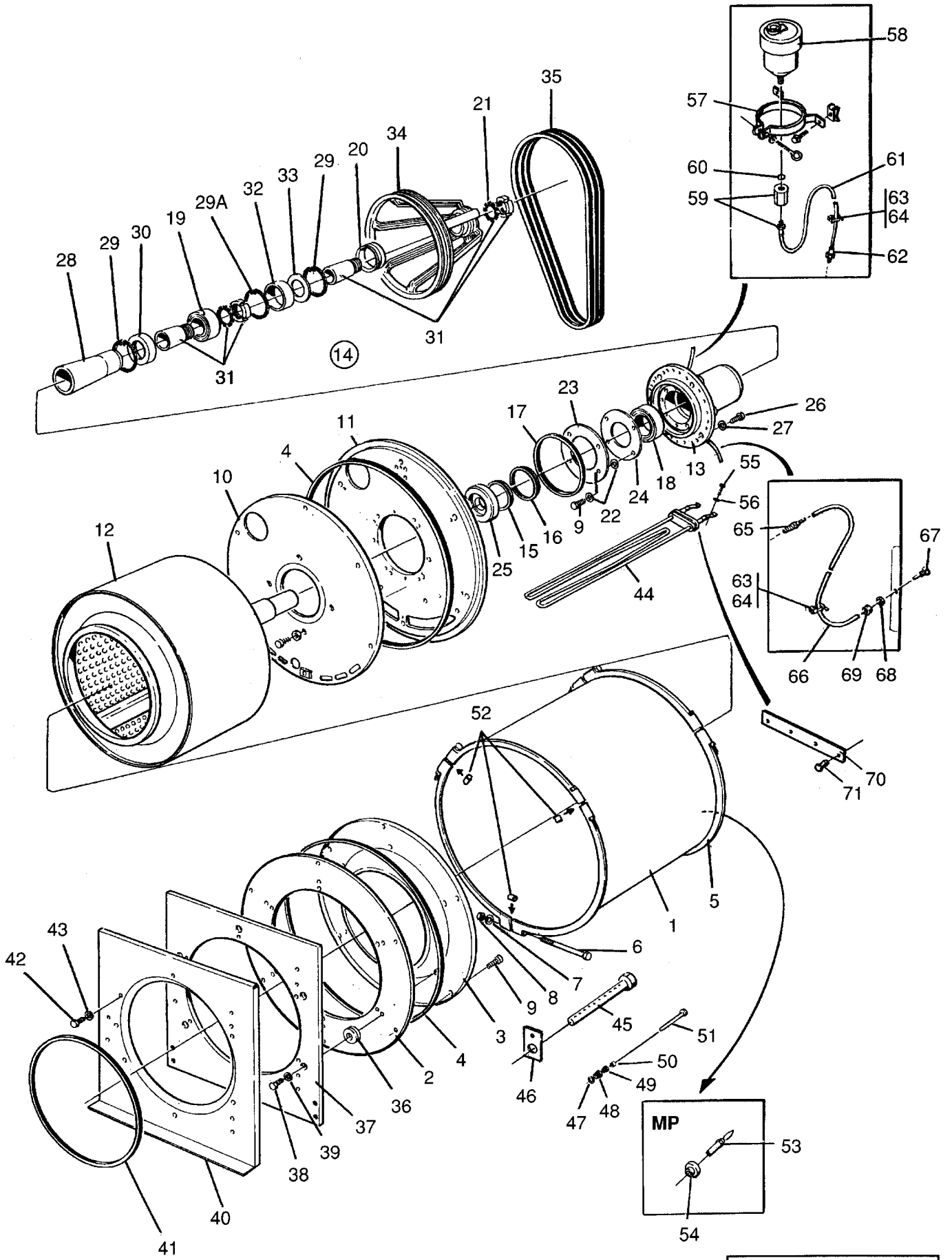
EX-80 87/0794-,EX-80 HI-TEK 87/0794-

Inner and outer drum, pulley

Tambour intérieur et extérieur, poulie

Illustration Issue Month Year
Schéma Issue Month Year
101112/4 10 11 2000

Item Article	Qua Qua	Art.No Réf. article	Description	Description	Info Info	Notes Remarques
1	1	472 6218-00	Outer drum	Extérieur du tambour	3	DS
	1	472 6218-01	Outer drum	Extérieur du tambour	3	EI.
	1	472 6218-02	Outer drum	Extérieur du tambour	3	EL/DS
2	1	472 6273-01	End piece	Pignon	3	
3	1	472 6212-01	End piece	Pignon	3	
4	2	471 4009-60	Strip	Ruban	1	
5	6	472 6149-04	Tension strap	Extenseur	3	
6	6	471 9222-59	Screw	Vis	3	M8X140
7	12	734 1164-01	Washer	Rondelle	3	8,4X17
8	6	732 2118-01	Locking nut	Contre-écrou	3	M8
9	34	471 8320-10	Screw	Vis	3	M8X20
10	1	472 6215-03	End piece	Pignon	3	DS
	1	472 6215-02	End piece	Pignon	3	EI.
	1	472 6215-04	End piece	Pignon	3	EL/DS
11	1	472 6278-01	End piece	Pignon	3	
12	1	472 6243-00	Inner drum	Intérieur du tambour	1	
13	1	472 6277-10	Bearing housing	Logement de palier	3	-93/1355
	1	472 6277-11	Bearing housing	Logement de palier	3	93/1356-
14	1	471 6665-75	Repair kit	Kit reconditionnement	1,2	
15	1	740 6839-21	•V-ring	•Anneau en forme de V		
16	1	740 6842-21	•V-ring	•Anneau en forme de V		
17	1	471 8165-01	•Seal	•Joint		
18	1	471 7400-08	•Bearing	•Coussinet		
19	1	471 7401-03	•Roller bearing	•Roulements à galets		
20	1	740 6832-21	•V-ring	•Anneau en forme de V		
21	2	471 8512-00	•Lock washer	•Rondelle d'arrêt		
22	10	734 1164-09	•Washer	•Rondelle	3	BRB 8,4X17
23	1	472 6380-02	•Washer	•Rondelle	3	
24	1	472 6380-01	•Washer	•Rondelle	3	
25	1	472 6372-01	Bracket	Pièce de retenue	3	
26	20	725 2540-51	Screw	Vis	3	M12X40
27	20	734 1178-01	Washer	Rondelle	3	BRB 13X24
28	1	472 6260-00	Spacer	Entretoise	3	
29	2	735 3177-10	C-clamp	Presse à main	3	SGH150
29A	1	735 3177-10	C-clamp	Presse à main	3	SGH150 -88/0877
30	1	472 6261-01	Spacer	Entretoise	3	
31	2	471 8551-00	Sleeve	Manchon	3	
32	1	472 6262-00	Spacer	Entretoise	3	
33	1	472 6201-00	Ring	Anneau	3	
34	1	472 6276-01	Pulley	Poulie	1	
35	1	471 7701-57	V-belt	Courroie trapézoïdale	1,2	
36	12	471 9073-59	Washer	Rondelle	3	TBRBSB 13X36
37	1	472 6274-00	Counterweight	Contrepoids	3	
38	6	725 2538-51	Screw	Vis	3	M12X35
39	6	734 1178-01	Washer	Rondelle	3	BRB 13X24
40	1	472 6203-00	Cover plate	Plaque recouvrement	3	
41	1	471 2075-79	Strip	Ruban	1	
42	6	725 2451-42	Screw	Vis	3	M8X20
43	6	734 1164-09	Washer	Rondelle	3	BRB 8,4X17
44	6	471 9803-10	Heating element	Élément chauffant	1,2	4KW 230V
	6	471 9803-11	Heating element	Élément chauffant	1,2	4KW 254V
	6	471 4494-01	Blind flange	Bride d'obturation	1	Hot water
45	1	471 2442-53	Injector	Injecteur	1	
46	1	740 4805-03	O-ring	Joint torique	1	
47	1	471 2416-41	Nipple	Raccord	1	
48	1	471 2416-42	Nipple	Raccord	1	
49	1	471 2416-43	Cone	Cône	1,2	
50	1	471 8806-61	Sensor unit	Bloc de détection	1,2	
51	6	471 8648-01	Bushing	Douille	3	



101112

Issue	Month	Year
04	10	99

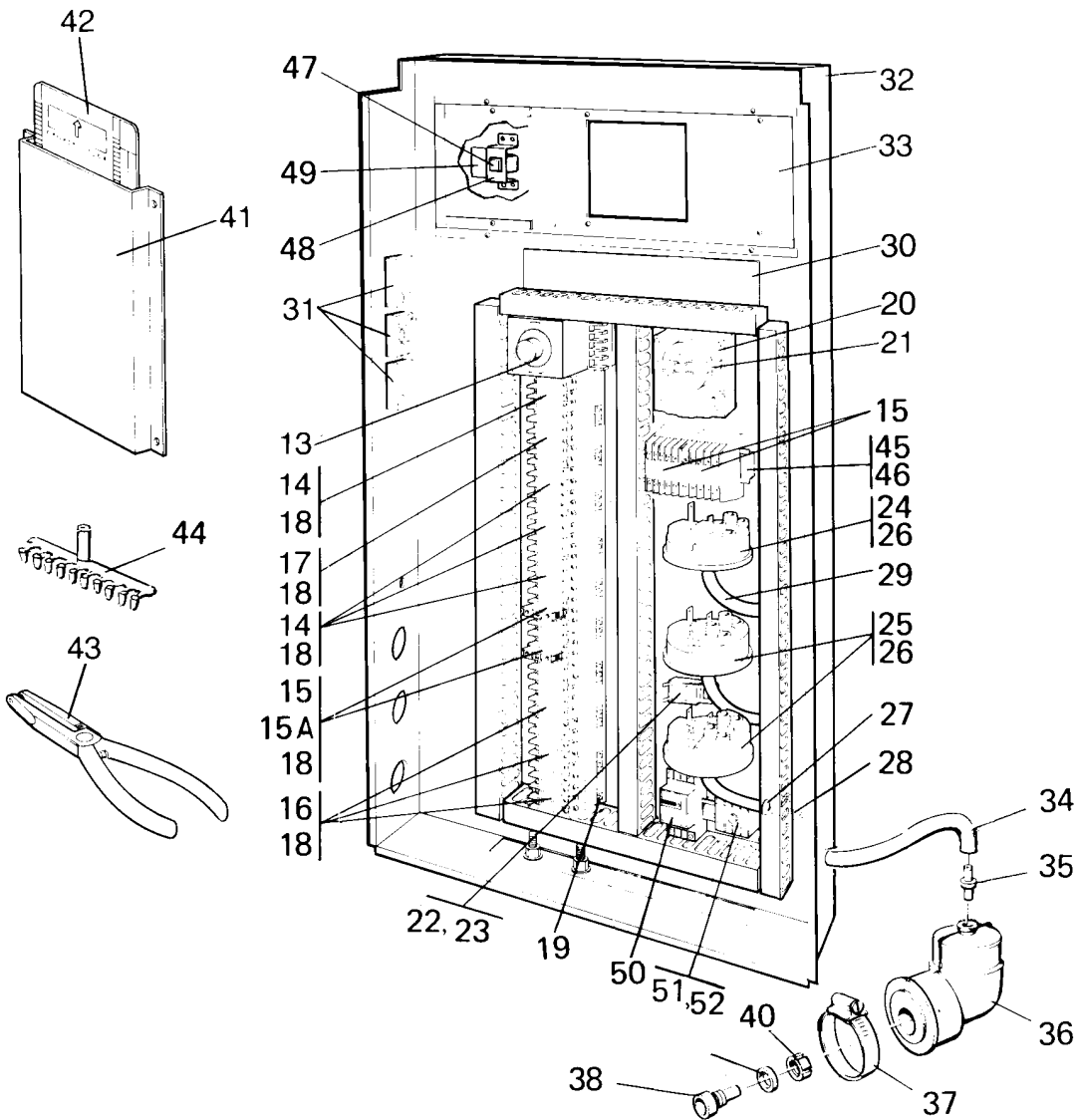
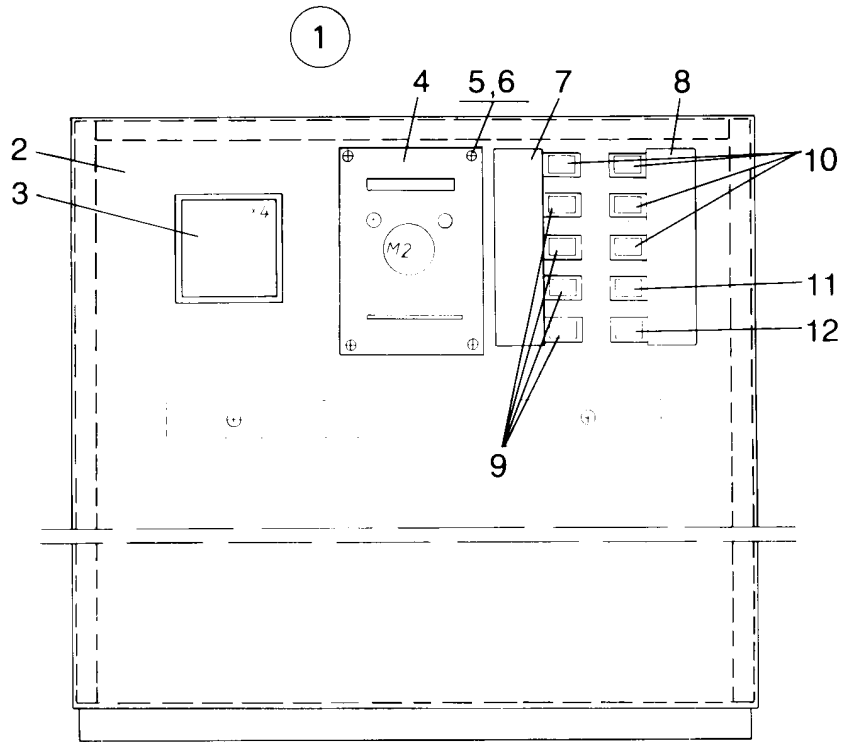
EX-80 87/0794-,EX-80 HI-TEK 87/0794-

Inner and outer drum, pulley

Tambour intérieur et extérieur, poulie

Illustration Issue Month Year
Schéma Issue Month Year
101112/4 10 11 2000

Item Article	Qua Qua	Art.No Réf. article	Description	Description	Info Info	Notes Remarques
52	1	472 9913-22	Sensor	Capteur	1,2	Complete
53	1	471 8192-01	•Bushing	•Douille	1	
54	12	724 1289-01	Screw	Vis	3	M4X10
55	12	735 2136-01	Lock washer	Rondelle d'arrêt	3	AZ 4,3 4,3
56	1	471 8276-12	Bracket	Pièce de retenue	3	93/1356-
57	1	471 8276-02	Pump	Pompe	1,2	93/1356-
58	1	471 8276-10	Program unit	Unité programmation	1,2	93/1356-
59	1	471 7433-01	Oil	Huile	1,2	93/1356-
60	1	471 8602-02	Nipple	Raccord	3	1/4"-1/8" 93/1356-
61	1	740 4209-00	O-ring	Joint torique	3	93/1356-
62	1	877 5361-02	Hose	Flexible	3	93/1356-
63	2	471 8688-13	Nipple	Raccord	3	1/8" 93/1356-
64	2	471 9004-75	Bracket	Support de montage	3	93/1356-
65	2	762 9102-05	Cable tie	Collier de serrage	3	93/1356-
66	1	471 4651-24	Nipple	Raccord	3	93/1356-
67	1	877 5211-08	Hose	Flexible	3	Per 1 m PER 1M 93/1356-
68	1	471 2263-65	Nipple	Raccord	3	93/1356-
69	1	734 1164-09	Washer	Rondelle	3	BRB 8,4X17 93/1356-
70	1	731 2318-01	Nut	Écrou	3	M8 93/1356-
71	1	438 4851-01	Cover	Couvercle	3	
72	4	471 7961-01	Rivet	Rivet	3	M4X10
73	1	472 9396-01	Washer	Rondelle	3	



Issue	Month	Year
04	02	95

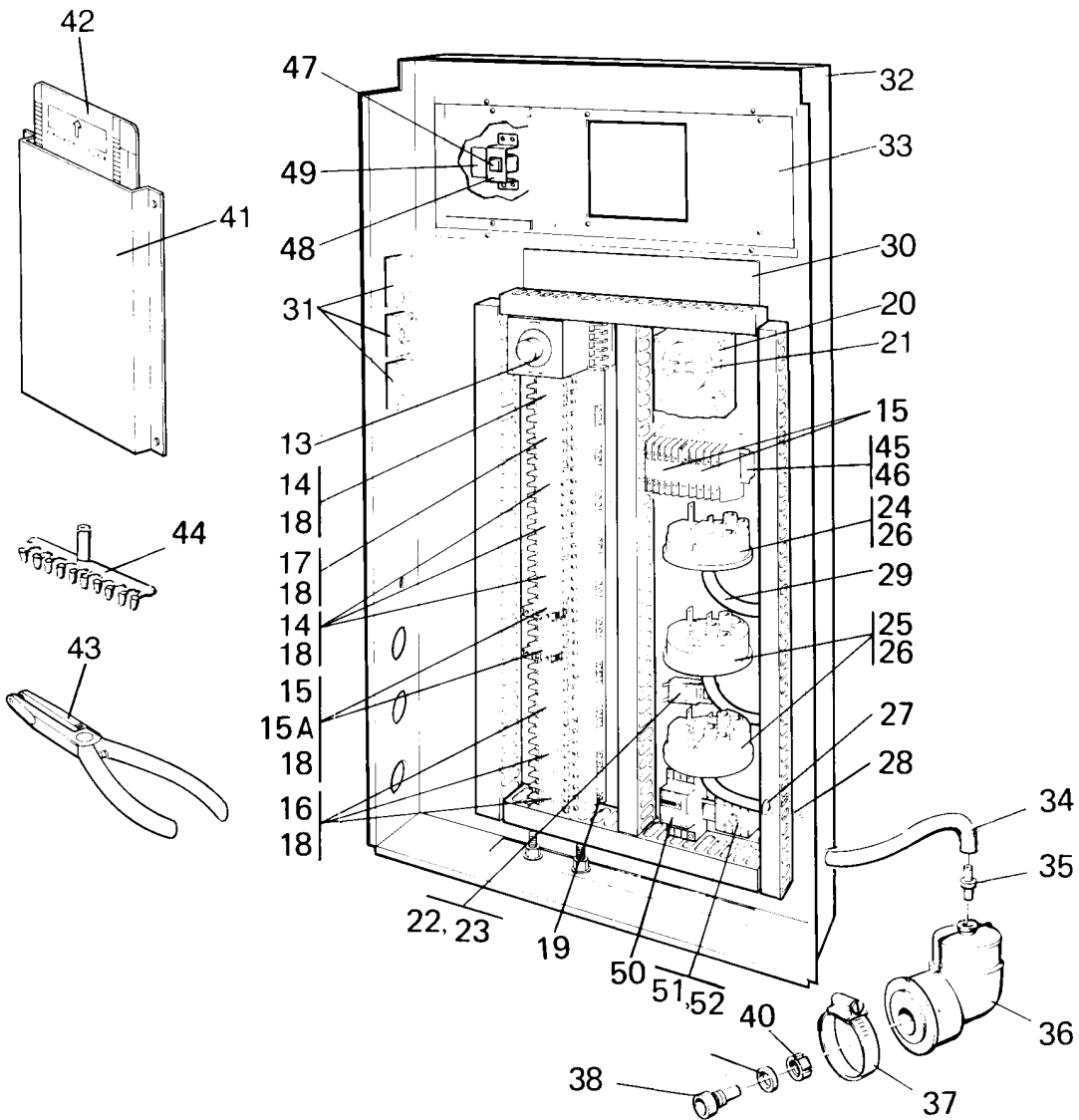
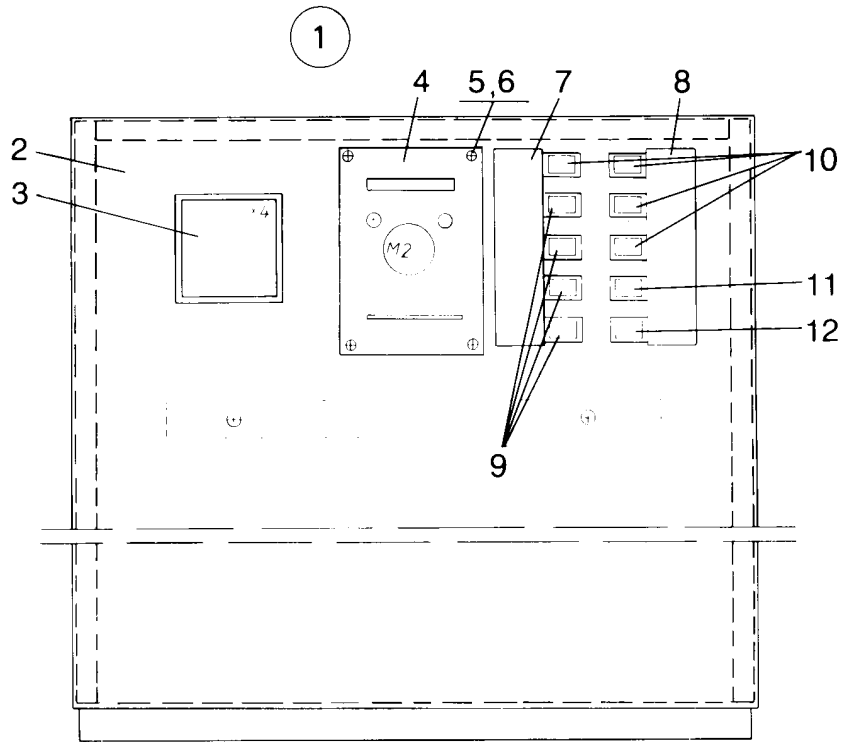
EX-80,EX-80 HI-TEK

Control unit

Unité de commande

Illustration Issue Month Year
Schéma Issue Month Year
100317 5 8 1997

Item Article	Qua Qua	Art.No Réf. article	Description	Description	Info Info	Notes Remarques
1	1	472 6300-30	Control unit	Unité de contrôle	3	50Hz Compl., EI+steam
	1	472 6300-31	Control unit	Unité de contrôle	3	COMPL. EL+DS
	1	472 6300-32	Control unit	Unité de contrôle	3	50Hz COMPL.,NON-HEATED
	1	472 6300-33	Control unit	Unité de contrôle	3	60Hz COMPL. NON-HEATED
2	1	472 7238-01	•Side panel	•Panneau latéral	3	White
3	1	471 8806-02	•Thermostat	•Thermostat	1,2	
4	1	471 9219-15	•Card programmer	•Programmeur cartes	1,2	50Hz See group US8337
	1	471 9223-72	•Card programmer	•Programmeur cartes	1,2	60Hz See group US8337
5	4	471 8344-26	•Screw	•Vis	3	M5X20
6	4	731 2314-01	•Nut	•Écrou	3	M5
7	1	472 6306-02	•Sign	•Signe	3	English
	1	472 6306-52	•Sign	•Signe	3	English
9	4	471 9226-68	•Pushbutton	•Bouton-poussoir	1,2	
10	4	471 9226-66	•Pushbutton	•Bouton-poussoir	1,2	
11	1	471 9226-67	•Pushbutton	•Bouton-poussoir	1,2	Yellow
12	1	471 9610-17	•Pushbutton	•Bouton-poussoir	1,2	
13	1	471 9226-97	•Time relay	•Relais temporisé	1,2	50/60Hz
14	4	767 5131-00	•Contactor	•Relais	1,2	50Hz 220-240V 50Hz
	4	767 5132-00	•Contactor 60Hz	•Relais,60Hz	1,2	60Hz
15	3	438 9636-02	•Contactor	•Relais	1,2	50Hz, K3-10
	3	438 9636-03	•Contactor	•Relais	1,2	60Hz, K3-10
	3	438 9636-03	•Contactor	•Relais	1,2	60Hz, K3-10
15A	RQ	767 5101-92	•Auxiliary contact	•Contact de secours	1,2	HN10 Green
16	3	767 5102-20	•Contactor	•Relais	1,2	50Hz
	3	767 5101-20	•Contactor	•Relais	1,2	60Hz
	3	767 5104-18	•Contactor	•Relais	1,2	K2-30A, 50Hz
	3	767 5103-18	•Contactor	•Relais	1,2	K2-30A, 60Hz
17	1	767 5152-00	•Contactor	•Relais	1,2	50Hz 220-240V 50Hz
	1	767 5151-00	•Contactor 60Hz	•Relais,60Hz	1,2	208-230V 60Hz
18						Not used
19	RQ	729 5342-01	•Screw	•Vis	3	
20	1	471 2422-19	•Reverser	•Inverseur	1,2	50Hz
	1	471 2422-20	•Reverser	•Inverseur	1,2	60Hz
21	1	471 9056-91	••Motor	••Moteur	1,2	OLD TIMER 220V 50Hz
	1	471 9056-92	••Motor	••Moteur	1,2	OLD TIMER 208-240V 60Hz
22	1	471 9651-50	•Buzzer	•Console	1	208-240V
23	2	729 5221-01	•Screw	•Vis	3	RXS 2,9X6,5
24	1	471 8860-10	•Level control	•Réglage de niveau	1,2	
25	2	471 8860-11	•Level control	•Réglage de niveau	1,2	
26	3	729 5279-01	•Screw	•Vis	3	RXS B6X9,5
27	3	762 1182-10	•Grommet	•Oeillet	3	Ø22,2MM
28	2	471 2265-69	•T-pipe	•Tube en T	1	
29	RQ	471 2264-03	•Hose	•Flexible	1	L=150
30	1	472 7245-01	•Mounting plate	•Plaque de montage	3	
31	4	762 3211-01	•Plug connector	•Connexion enfichable	3	6-pole
32	1	472 7239-01	Box	Boîtier	3	
33	1	472 7265-01	Box	Boîtier	3	
34	1	471 2440-40	Hose	Flexible	1	L=1400
35	1	471 2401-52	Nipple	Raccord	1	
36	1	471 2095-32	Air chamber	Chambre à air	1	
37	1	736 2840-51	Hose clamp	Attache flexible	3	Ø50-63
38	1	438 0456-01	Nipple	Raccord	1	
39	1	471 2440-10	Gasket	Joint	1	
40	1	438 0457-01	Nut	Écrou	1	
41	1	471 2436-58	Card box	Caisse en carton	3	
42	2	471 8955-01	Program card	Carte programme	1	40MIN
	3	471 9219-16	Program card	Carte programme	1	60MIN
43	1	471 8961-01	Pliers	Pince	1	
44	1	471 6654-10	Pin	Goupille	1,2	SET 10PCS



Issue	Month	Year
04	02	95

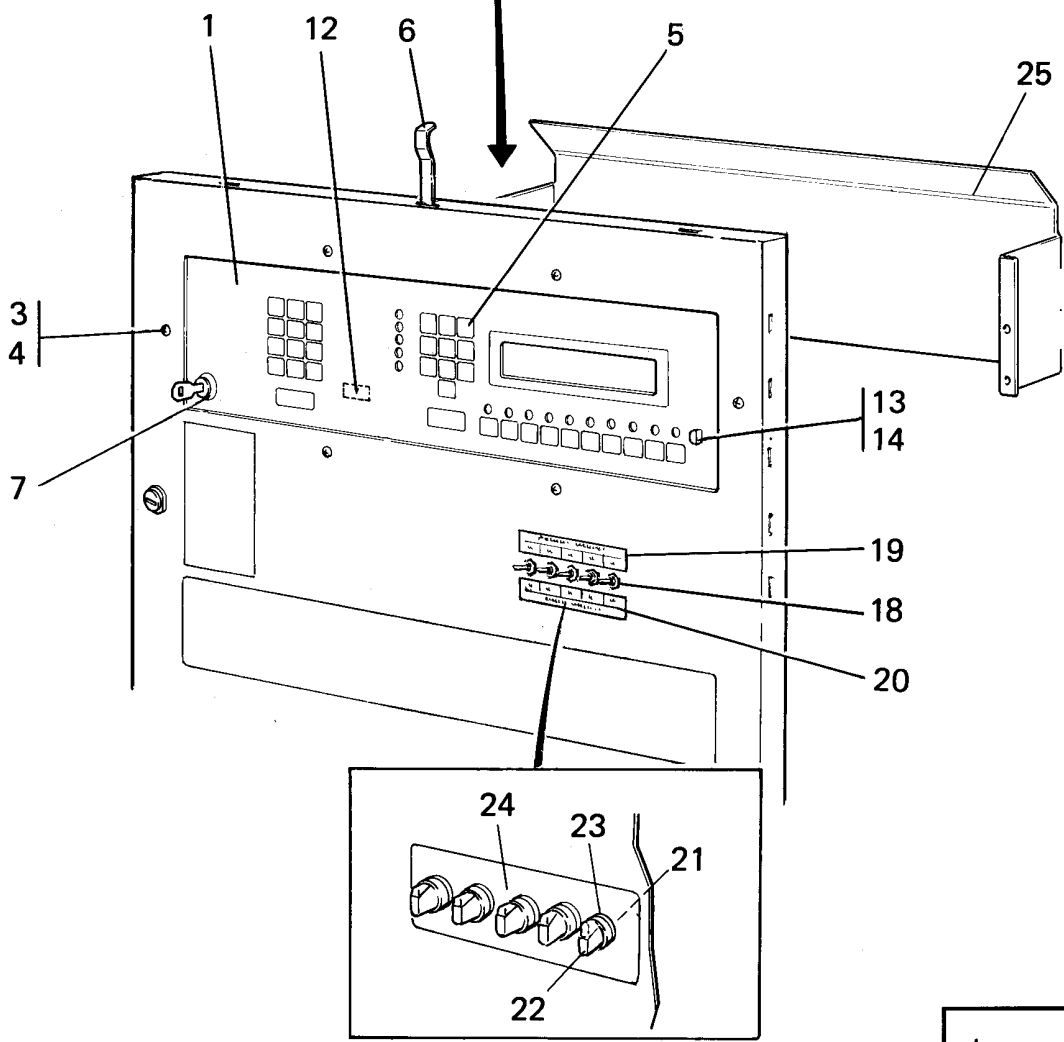
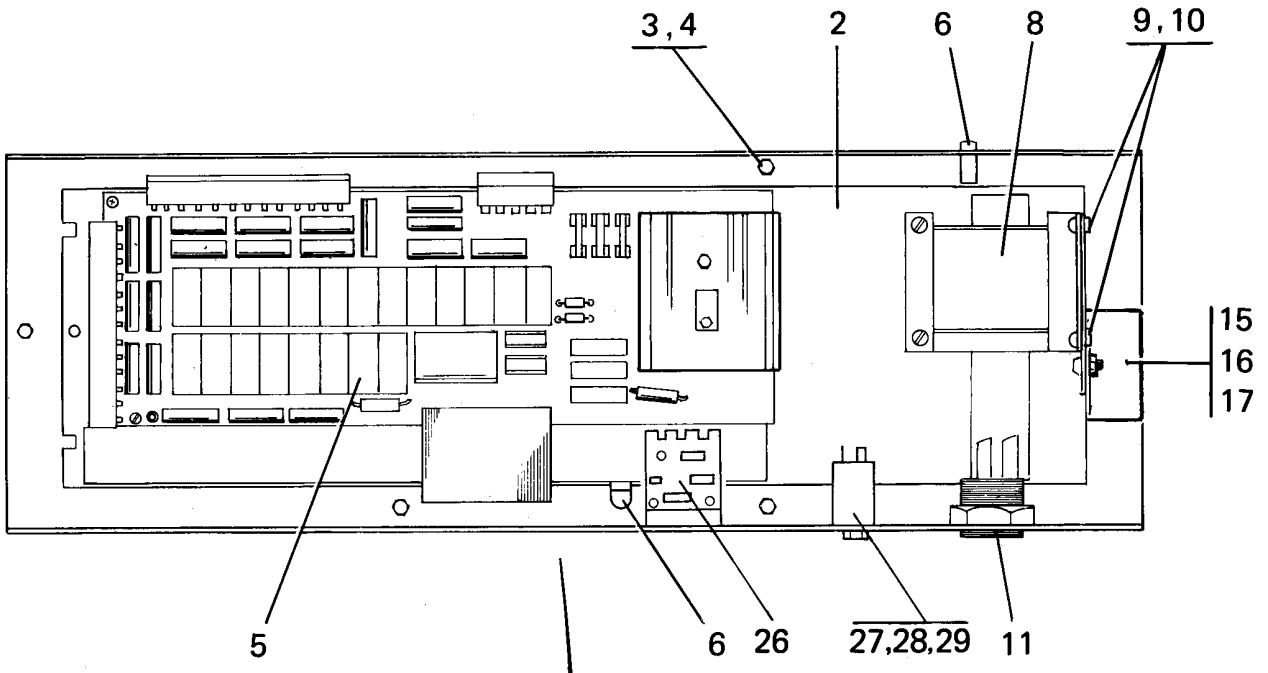
EX-80,EX-80 HI-TEK

Control unit

Unité de commande

Illustration	Issue	Month	Year
Schéma	Issue	Month	Year
100317	5	8	1997

Item Article	Qua Qua	Art.No Réf. article	Description	Description	Info Info	Notes Remarques
45	1	471 7182-08	Rail	Support	3	
46	2	471 8340-23	Screw	Vis	3	RTS 4,2X13
47	1	471 9226-66	Pushbutton	Bouton-poussoir	1,2	EL/DS
48	1	438 4816-01	Bracket	Pupitre	3	
49	1	438 4817-01	Sign	Signe	3	
50	1	471 8912-02	Running time meter	Minuterie	3	60Hz
51	1	471 9622-04	Time relay	Relais temporisé	3	50/60Hz
52	1	471 9622-51	Socket	Douille	3	



EX-80 HI-TEK

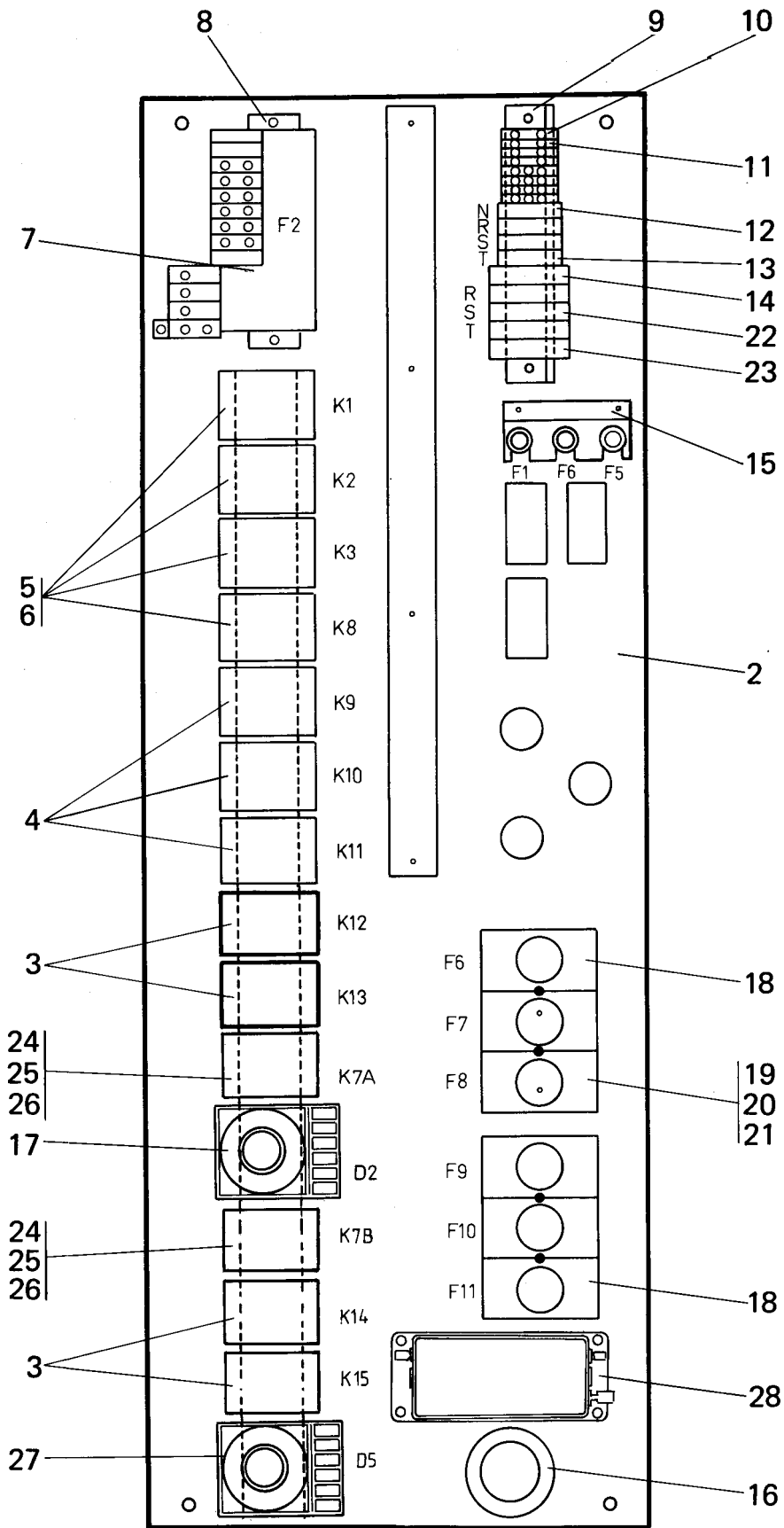
Control panel

Pignon arrière avec tambour intérieur

Illustration Issue Month Year
Schéma Issue Month Year
100215 14 1 1999

Item Article	Qua Qua	Art.No Réf. article	Description	Description	Info Info	Notes Remarques
1	1	471 4783-02	Panel sign	Voyant du tableau	3	Swedish -89/1043
	1	472 5756-02	Panel sign	Voyant du tableau	3	Swedish 89/1044-
	1	471 4783-01	Panel sign	Voyant du tableau	3	English -89/1043
	1	472 5756-01	Panel sign	Voyant du tableau	3	English 89/1044-
2	1	472 7289-01	Mounting plate	Plaque de montage	3	
3	6	724 1293-42	Screw	Vis	3	M4X16
4	6	732 2112-01	Locking nut	Contre-écrou	3	M4
5	1	471 8977-03	Printed circuit board	Circuit imprimé	1,2	-88/919
	1	471 8977-05	Printed circuit board	Circuit imprimé	1,2	SEE PCB 88/920-91/XXXX
	1	471 8977-13	Printed circuit board	Circuit imprimé	1,2	SEE PCB 91/XXXX-95/1492
	1	471 8977-24	Printed circuit board	Circuit imprimé	1,2	95/1493-
6	2	471 4586-01	Lock plate	Gâche de serrure	3	
7	1	471 4878-84	Switch	Commutateur	1,2	
	1	471 8733-10	Key	Touche	1	
8	1	471 9550-15	Transformer	Transformateur	1,2	208/220/240/480V
9	2	724 1289-01	Screw	Vis	3	M4X10
10	2	732 2112-01	Locking nut	Contre-écrou	3	M4
11	1	471 9653-03	Buzzer	Console	1,2	
12	1		Program memory	Mémoire programme	1,2	
13	1	471 7963-01	Safety cover	Revêtement protection	3	
14	1		Memory cartridge	Cassette de mémoire	3	SEE See group US8342
15	1	471 9529-10	Mains filter	Filtre de filet	1	208-240V
	1	471 9529-03	Mains filter	Filtre de filet	1	380-500V 3AC 50Hz
16	2	724 1224-01	Screw	Vis	3	MRX 3X10
17	2	731 2310-01	Nut	Écrou	3	M3
18	5	471 9037-49	Switch	Commutateur	1	
19	1	471 4353-03	Sign	Signe	3	English
20	1	471 4353-04	Sign	Signe	3	English
21	1	472 9383-01	Cover	Couvercle	3	
22	1	471 7473-21	Printed circuit board	Circuit imprimé	1,2	95/1493-
23	1	471 9529-10	Mains filter	Filtre de filet	1	208-240V
	1	471 9529-03	Mains filter	Filtre de filet	1	380-500V 3AC 50Hz
24	1	735 2164-51	Washer	Rondelle	3	
25	1	471 9035-20	Nut	Écrou	3	M8

1



EX-80 HI-TEK

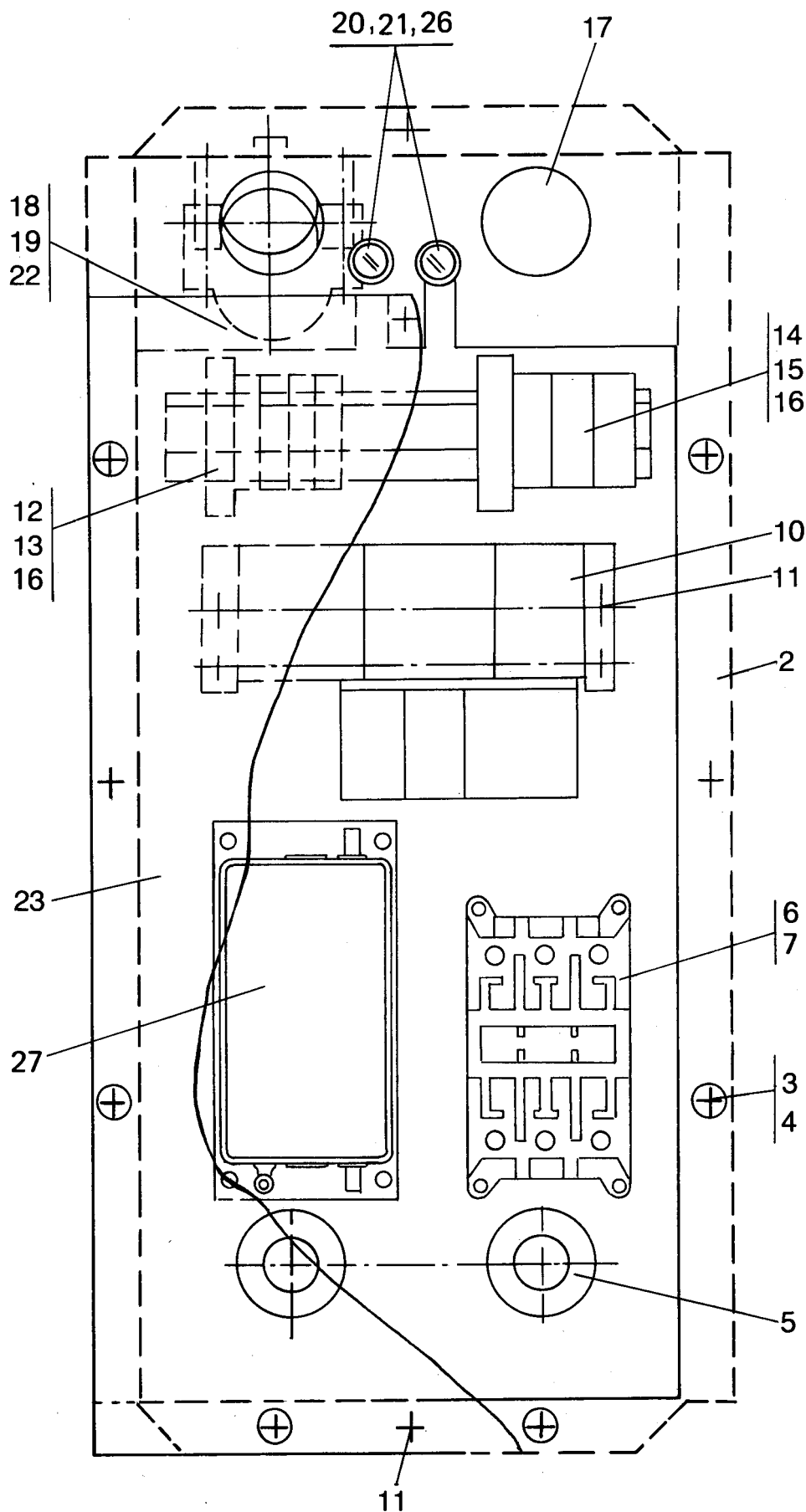
Control unit MP

Unité de commande MP

Illustration Issue Month Year
Schéma Issue Month Year
100193 5 3 1997

Item Article	Qua Qua	Art.No Réf. article	Description	Description	Info Info	Notes Remarques
1	1	472 7293-01	Control unit	Unité de contrôle	3	380-415V 3NAC 50Hz 3NAC
	1	472 7293-02	Control unit	Unité de contrôle	3	200-240V 3AC 60Hz 3AC
	1	472 7293-03	Control unit	Unité de contrôle	3	380V 50Hz 3AC
	1	472 7293-04	Control unit	Unité de contrôle	3	220V 50Hz 3AC
2	1	472 7288-01	•Mounting plate	•Plaque de montage	3	
3	4	438 9636-02	•Contactor	•Relais	1,2	50Hz, K3-10 TILTING
4	3	767 5104-18	•Contactor	•Relais	1,2	K2-30A, 50Hz
	3	767 5103-18	•Contactor	•Relais	1,2	K2-30A, 60Hz
5	4	438 9636-02	•Contactor	•Relais	1,2	50Hz, K3-10
	4	438 9636-03	•Contactor	•Relais	1,2	60Hz, K3-10
6	2	767 5101-92	•Auxiliary contact	•Contact de secours	1,2	HN10 Green
7	1	471 9208-13	•Motor cover	•Protection du moteur	1,2	380V
	1	471 9208-14	•Motor cover	•Protection du moteur	1,2	208-240V
8	13	729 5342-01	•Screw	•Vis	3	
9						Not used
10	8	762 7102-05	•Terminal connection	•Bloc de connexion	3	
11	1	873 2201-00	•Sign	•Signe	3	
12	1	762 7137-90	•Bridge connection	•Montage en pont	3	
13	3	762 7117-10	•Terminal connection	•Bloc de connexion	3	380V 2,5-10MM ² ,3-POLE
14	1	762 7121-80	•Ground connection	•Connexion à la masse	3	380V,415V
15	1	471 4074-01	•Fuse holder	•Porte-fusible	1	
16	1	762 1209-10	•Grommet	•Oeillet	3	
17	1	471 9226-97	•Time relay	•Relais temporisé	1,2	50/60Hz
18	2	471 8754-01	•Fuse holder	•Porte-fusible	1,2	380V,415V
	2	471 8754-02	•Fuse holder	•Porte-fusible	1,2	220V
19	6	471 8751-74	•Fuse	•Porte-fusible	1,2	25A
	6	471 8751-73	•Fuse	•Porte-fusible	1,2	50A
	6	471 8751-72	•Fuse	•Porte-fusible	1,2	35A
20	6	471 8751-50	•Insert	•Insertion	1,2	25A
	6	471 8751-52	•Insert	•Insertion	1,2	50A
	6	471 8751-49	•Insert	•Insertion	1,2	35A
21	6	471 8751-25	•Hood	•Capot	1,2	25A
	6	471 8751-26	•Hood	•Capot	1,2	63A
22	1	471 8702-00	•	•	3	
23	1	471 2461-75	•Terminal connection	•Bloc de connexion	3	208-240V
	1	762 7121-80	•Ground connection	•Connexion à la masse	3	380V,415V
24	1	762 7110-80	•Ground connection	•Connexion à la masse	3	
	2	767 5141-10	•Contactor 60Hz	•Relais,60Hz	1,2	208-240V 60Hz
	2	767 5142-10	•Contactor	•Relais	1,2	220-240V 50Hz
	2	472 9902-77	•Contactor	•Relais	1,2	60Hz
	2	472 9902-78	•Contactor	•Relais	1,2	50Hz
25						Not used
26	2	472 9391-01	•Spacer	•Entretoise	3	220V 3AC EL.HEATED
27	1	471 9226-97	•Time relay	•Relais temporisé	1,2	50/60Hz
28	1	471 9529-06	•LC-filter	•Filtre LC	1	96/1574-

1



100318

Issue	Month	Year
04	05	96

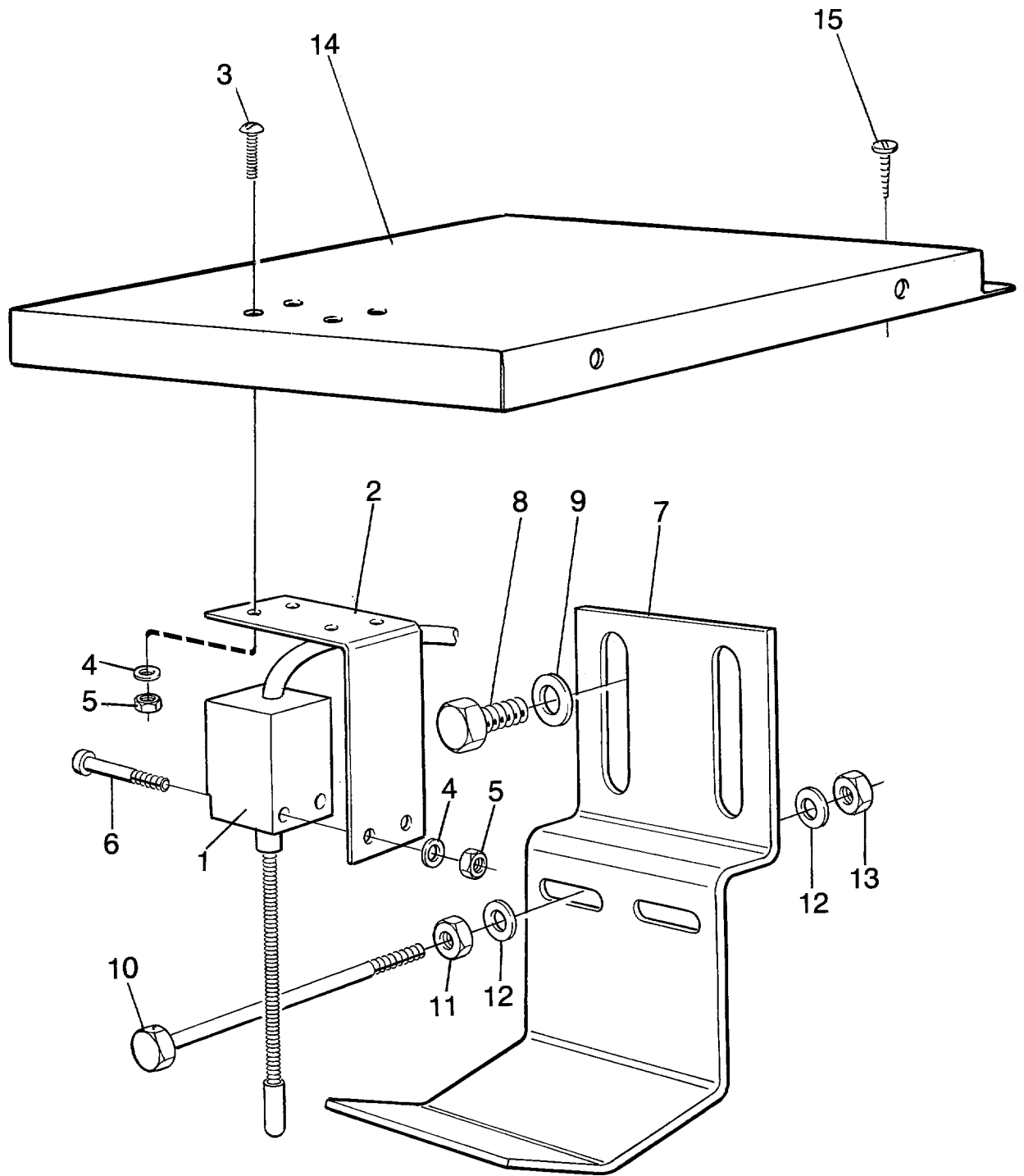
EX-80,EX-80 HI-TEK

Rear electric cabinet

Armoire arrière

Illustration Issue Month Year
Schéma Issue Month Year
100318 4 3 1997

Item Article	Qua Qua	Art.No Réf. article	Description	Description	Info Info	Notes Remarques
1	1	472 7266-01	Electric cabinet	Passage de câbles	3	220V 50Hz Compl.,steam
	1	472 7266-02	Electric cabinet	Passage de câbles	3	380V 50Hz Compl.,steam
	1	472 7266-03	Electric cabinet	Passage de câbles	3	208-240V 60Hz Compl.,steam
	1	472 7266-07			3	Compl. EI
2	1	472 7267-01	•Box	•Boîtier	3	
3	8	724 1366-01	•Screw	•Vis	3	MRX 6X12
4	8	732 2116-01	•Locking nut	•Contre-écrou	3	M6
5	1	762 1209-10	•Grommet	•Oeillet	3	
8						Not used
9						Not used
10	1	471 9208-13	•Motor cover	•Protection du moteur	1,2	380V
	1	471 9208-14	•Motor cover	•Protection du moteur	1,2	208-240V
11	6	729 5342-01	•Screw	•Vis	3	
12	1	762 7117-10	•Terminal connection	•Bloc de connexion	3	380V 2,5-10MM ² ,3-POLE
	1	471 2461-75	•Terminal connection	•Bloc de connexion	3	208-240V
13	1	762 7110-80	•Ground connection	•Connexion à la masse	3	
14	3	471 2461-75	•Terminal connection	•Bloc de connexion	3	208-240V
17	2	471 8653-04	•Plug	•Fiche	3	
18	1	471 7859-01	•	•	3	
19	1	471 7859-11	•Clamp	•Attache	3	
20	2	471 9027-85	•Fuse	•Porte-fusible	1,2	60Hz
	2	471 9027-85	•Fuse	•Porte-fusible	1,2	60Hz
21	2	471 8756-01	•Fuse holder	•Porte-fusible	1,2	5X20 MM
22	2	471 8300-09	•Screw	•Vis	3	M4X80
23	1	472 6292-00	•Cover	•Couvercle	3	
24						Not used
25						Not used
26	RQ	471 8756-51	Insert	Insertion	1,2	5X20MM
	RQ	471 8756-52	•Insert	•Insertion	1,2	6,3X32MM,60Hz
27	1	471 9529-06	•LC-filter	•Filtre LC	1	96/1574-



100319

Issue	Month	Year
01	05	88

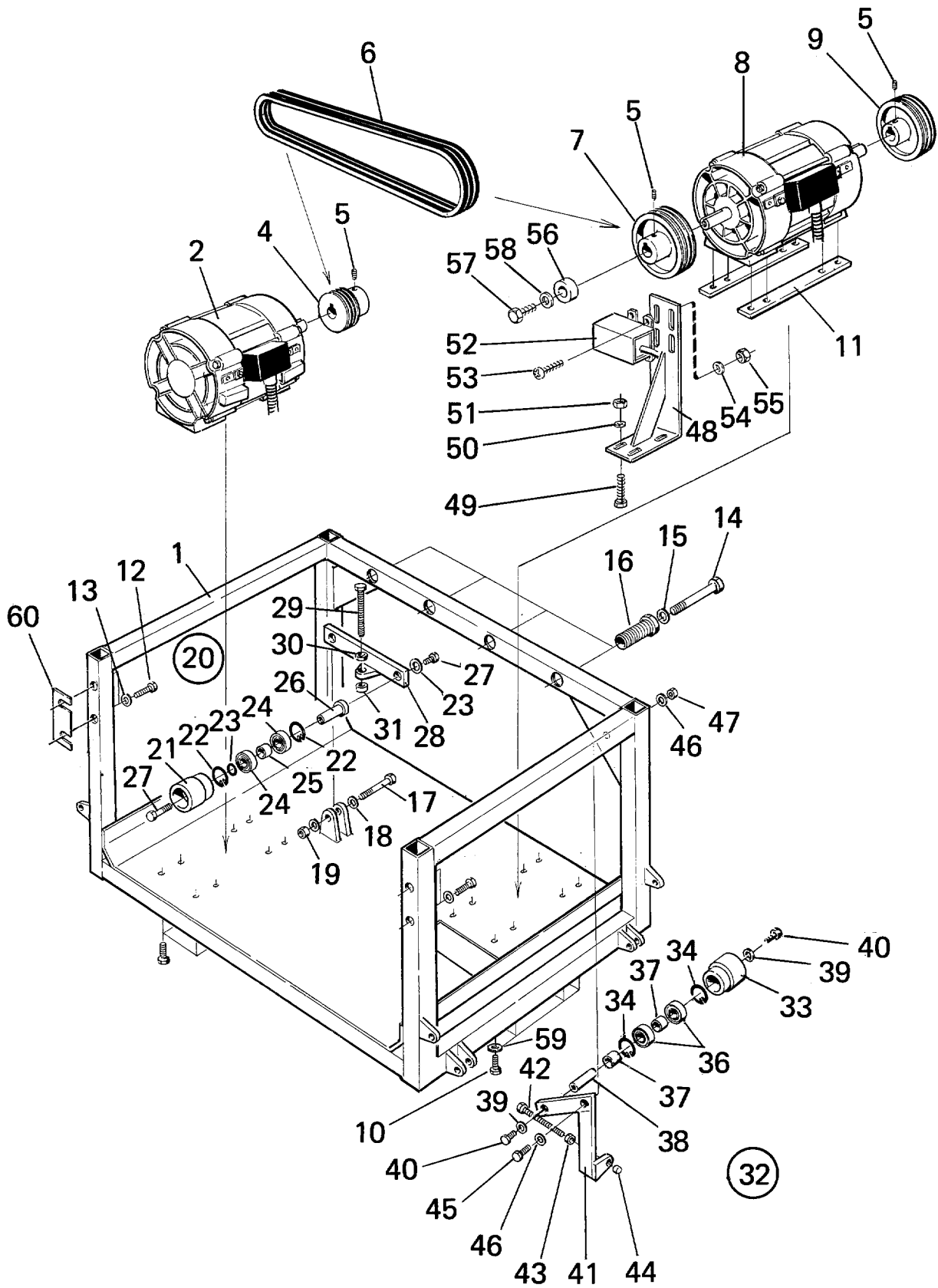
EX-80,EX-80 HI-TEK

Out of balance switch

Commutateur asymétrique

Illustration Issue Month Year
Schéma Issue Month Year
100319 1 3 1988

Item Article	Qua Qua	Art.No Réf. article	Description	Description	Info Info	Notes Remarques
1	1	471 9608-00	Out of balance switch	Commutateur asymétrique	1,2	
2	1	472 6367-01	Angle	Coude	3	
3	4	724 1226-01	Screw	Vis	3	M3X12
4	6	734 1124-01	Washer	Rondelle	3	BRB 3X7
5	6	732 2110-01	Locking nut	Contre-écrou	3	M3
6	2	724 1234-01	Screw	Vis	3	M3X30
7	1	472 7200-01	Mounting plate	Plaque de montage	3	
8	2	725 2534-51	Screw	Vis	3	M12X25
9	2	734 1178-01	Washer	Rondelle	3	BRB 13X24
10	2	725 2390-51	Screw	Vis	3	M6X100
11	2	731 2316-01	Nut	Écrou	3	M6
12	2	734 1153-01	Washer	Rondelle	3	BRB 6,4X12
13	2	732 2116-01	Locking nut	Contre-écrou	3	M6
14	1	472 7248-01	Bracket	Pupitre	3	
15	2	729 5340-42	Screw	Vis	3	RXS B8X9,5



100320

Issue	Month	Year
01	05	88

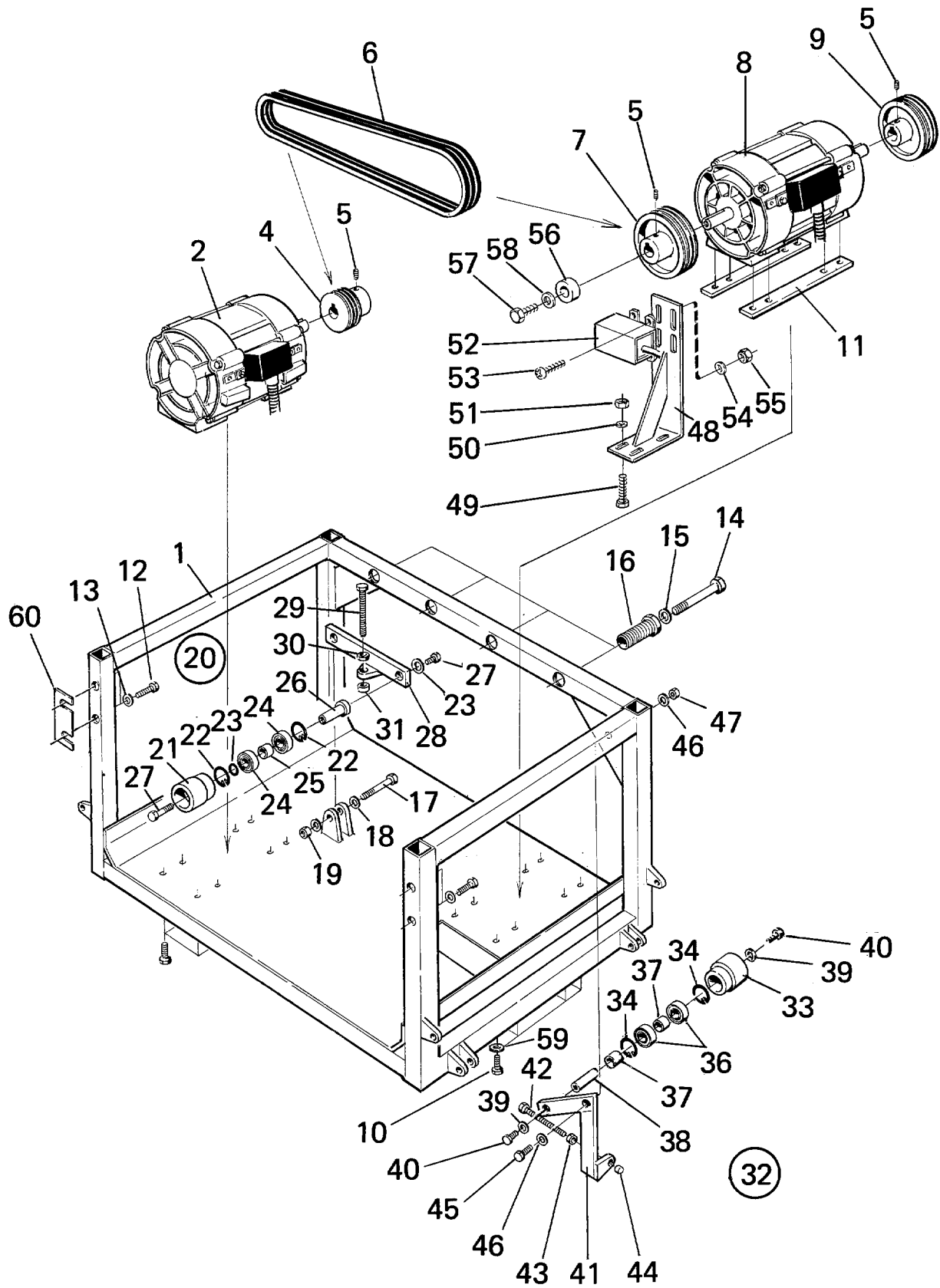
EX-80,EX-80 HI-TEK

Motor bracket and motors

Support-moteur et moteurs

Illustration Issue Month Year
Schéma Issue Month Year
100320 2 3 2003

Item Article	Qua Qua	Art.No Réf. article	Description	Description	Info Info	Notes Remarques
1	1	472 6253-00	Frame	Base	3	WHEN ORDERING STATE MACHINE NO WHEN ORDER STATE MACHINE-NO
2	1	471 9720-03	Motor	Moteur	1,2	220-240V 3AC 50Hz See group US8210
	1	471 9720-02	Motor	Moteur	1,2	208-240V 3AC 60Hz See group US8210
	1	471 9720-01	Motor	Moteur	1,2	380-440V 3AC 50Hz See group US8210
	1	471 9720-04	Motor	Moteur	1,2	440-480V 3AC 60Hz See group US8210
	1	471 9720-05	Motor	Moteur	1,2	380V 3NAC 60Hz See group US8210
3						Not used
4	1	472 6382-01	Pulley	Poulie	1	
5	3	728 8445-01	Screw	Vis	3	SK6SS 8X10
6	1	471 7701-56	V-belt	Courroie trapézoïdale	1,2	
7	1	472 6371-02	Pulley	Poulie	1	
8	1	471 9719-51	Motor	Moteur	1,2	380-440V 3AC 50Hz See group US8211
	1	471 9719-52	Motor	Moteur	1,2	208-240V 3AC 60Hz See group US8211
	1	471 9719-53	Motor	Moteur	1,2	220-240V 3AC 50Hz See group US8211
	1	471 9719-54	Motor	Moteur	1,2	440-480V 3AC 60Hz See group US8211
	1	471 9719-55	Motor	Moteur	1,2	380V 3AC 60Hz See group US8211
9	1	472 6264-01	Pulley	Poulie	1	50Hz
	1	472 6265-01	Pulley	Poulie	1	60Hz
* 10	6	725 2459-51	Screw	Vis	3	M8X40 50Hz
* 11	6	725 2455-51	Screw	Vis	3	M8X30 60Hz
12	2	472 6305-00	Rail	Support	3	50Hz
13	4	725 2534-51	Screw	Vis	3	M12X25
14	4	734 1178-01	Washer	Rondelle	3	BRB 13X24
15	4	725 2552-51	Screw	Vis	3	M12X100
16	4	734 1178-01	Washer	Rondelle	3	BRB 13X24
17	4	472 6353-01	Spacer	Entretoise	3	
18	1	725 2544-51	Screw	Vis	3	M12X60
19	1	734 1178-01	Washer	Rondelle	3	BRB 13X24
20	1	732 2122-01	Locking nut	Contre-écrou	3	M12
21	1	472 6205-03	Roller	Galet	3	Complete
22	1	472 6358-01	•Roller	•Galet	3	
23	2	735 3138-11	•C-clamp	•Presse à main	3	SGH42
24	2	734 1178-01	•Washer	•Rondelle	3	BRB 13X24
25	2	738 2104-03	•Bearing	•Coussinet	1	
26	2	471 4634-37	•Spacer	•Entretoise	3	
27	1	472 6359-01	•Shaft	•Arbre	3	
28	2	725 2534-51	•Screw	•Vis	3	M12X25
29	1	472 6223-01	•Arm	•Bras	3	
30	1	725 2475-71	•Screw	•Vis	3	M8X120
31	1	731 2318-01	•Nut	•Écrou	3	M8
32	1	472 6356-01	•Rubber cushion	•Butoir en caoutchouc	3	
33	1	472 6205-02	Roller	Galet	3	Complete
34	1	472 6358-01	•Roller	•Galet	3	
35	2	735 3138-10	•Circlip	•Attache en forme C	3	SGH42
36	2	738 2104-03	•Bearing	•Coussinet	1	Not used
37	1	471 4634-37	•Spacer	•Entretoise	3	



Issue	Month	Year
01	05	88

EX-80,EX-80 HI-TEK

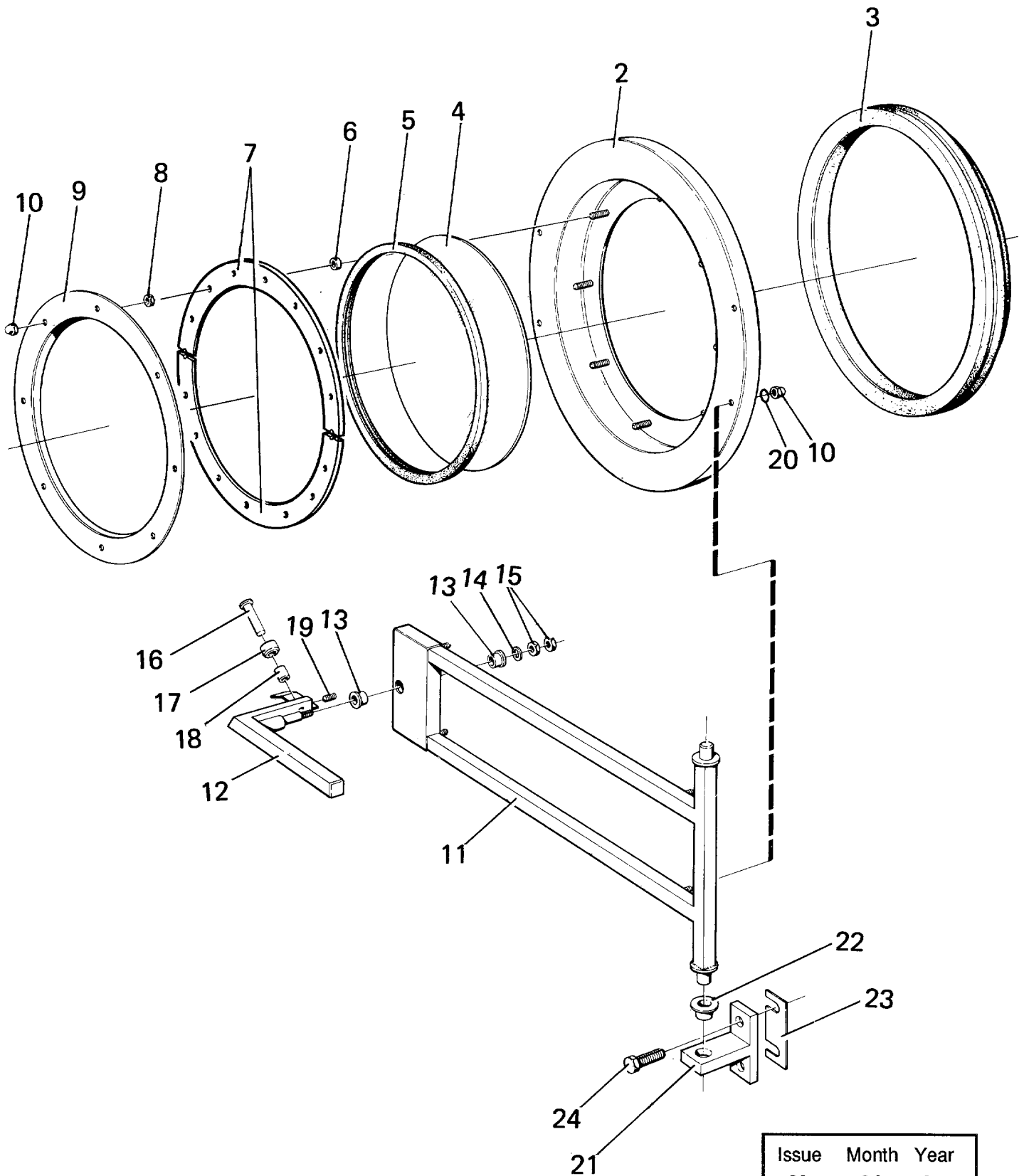
Motor bracket and motors

Support-moteur et moteurs

Illustration Issue Month Year
Schéma Issue Month Year
100320 2 3 2003

Item Article	Qua Qua	Art.No Réf. article	Description	Description	Info Info	Notes Remarques
38	1	472 6359-01	•Shaft	•Arbre	3	
39	2	734 1178-01	•Washer	•Rondelle	3	BRB 13X24
40	2	725 2534-51	•Screw	•Vis	3	M12X25
41	1	472 6221-01	•Arm	•Bras	3	
42	1	725 2475-71	•Screw	•Vis	3	M8X120
43	1	731 2318-01	•Nut	•Écrou	3	M8
44	1	472 6356-01	•Rubber cushion	•Butoir en caoutchouc	3	
45	1	725 2540-51	Screw	Vis	3	M12X40
46	2	734 1178-01	Washer	Rondelle	3	BRB 13X24
47	1	732 2122-01	Locking nut	Contre-écrou	3	M12
48	1	472 9060-01	Bracket	Support de montage	1	
49	4	725 2370-51	Screw	Vis	3	M6X20
50	4	734 1153-01	Washer	Rondelle	3	BRB 6,4X12
51	4	732 2116-01	Locking nut	Contre-écrou	3	M6
52	1	471 9578-13	Speed control	Contrôle vitesse	1,2	
	1	471 9578-14	Speed control	Contrôle vitesse	1,2	
53	4	724 1293-01	Screw	Vis	3	M4X16
54	4	734 1136-01	Washer	Rondelle	3	BRB 4,3X9
55	4	732 2112-01	Locking nut	Contre-écrou	3	M4
56	1	471 9578-50	Magnet	Aimant	1	
57	1	725 2455-51	Screw	Vis	3	M8X30
58	1	734 1164-01	Washer	Rondelle	3	8,4X17
59	RQ	471 9019-34	Washer	Rondelle	3	TBRSB 8,4X26
60	RQ	472 7201-02	Washer	Rondelle	3	

1



100321

Issue	Month	Year
02	04	95

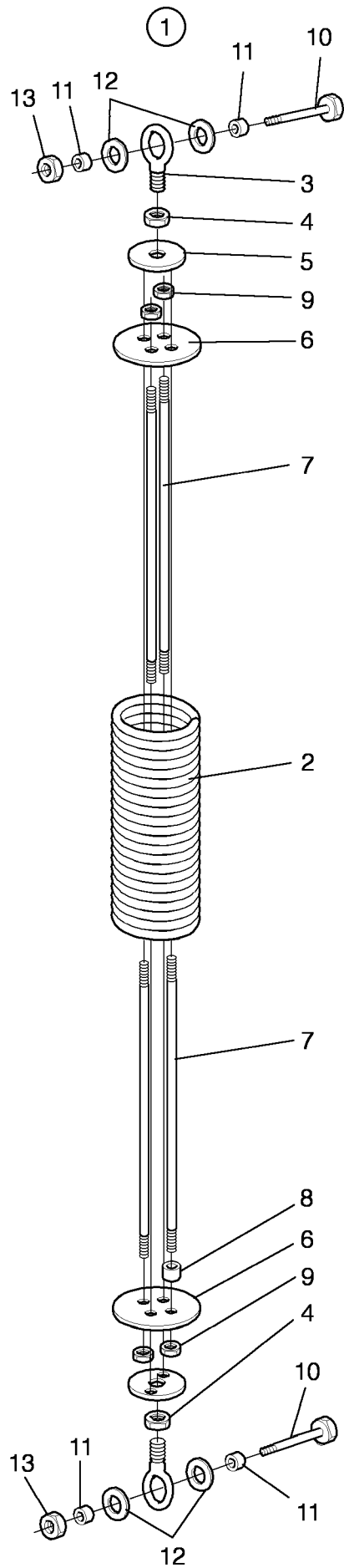
EX-80,EX-80 HI-TEK

Door

Plaque

Illustration Issue Month Year
Schéma Issue Month Year
100321 4 4 1995

Item Article	Qua Qua	Art.No Réf. article	Description	Description	Info Info	Notes Remarques
1	1	472 6296-01	Door	Plaque	3	
2	1	471 5516-01	•Door ring	•Anneau de la porte	3	
3	1	471 5631-00	•Door gasket	•Joint de la porte	1,2	
4	1	471 4605-14	•Door glass	•Vitre de la porte	1,2	
5	1	471 5511-01	•Seal	•Joint	1	
6	8	471 5523-00	•Spacer	•Entretoise	3	
7	2	438 4832-01	•Washer	•Rondelle	3	
8	8	731 2316-42	•Nut	•Écrou	3	M6
9	1	471 5525-00	•Ring	•Anneau	3	
10	12	732 3116-14	•Nut	•Écrou	3	M6
11	1	472 6208-00	•Frame	•Châssis	3	
12	1	472 6230-02	•Handle	•Poignée	1	
13	2	471 9228-98	•Bearing	•Coussinet	1	
14	1	471 2461-40	•Washer	•Rondelle	3	
15	1	732 2120-01	•Locking nut	•Contre-écrou	3	M10
16	1	471 2461-25	•Pin	•Goupille	3	
17	1	471 9228-97	•Bearing	•Coussinet	1,2	
18	1	471 2461-27	•Pipe	•Tube	3	
19	1	728 8445-01	•Screw	•Vis	3	SK6SS 8X10
20	4	734 1153-09	•Washer	•Rondelle	3	BRB 6,4X12
21	2	472 6211-00	Bracket	Support de montage	1	
22	2	471 9209-24	Bearing	Coussinet	1,2	
23	2	471 2418-14	Plate	Plaque	1	
24	4	725 2536-42	Screw	Vis	3	M12X30 SS



100322

Issue	Month	Year
01	05	88

EX-80,EX-80 HI-TEK

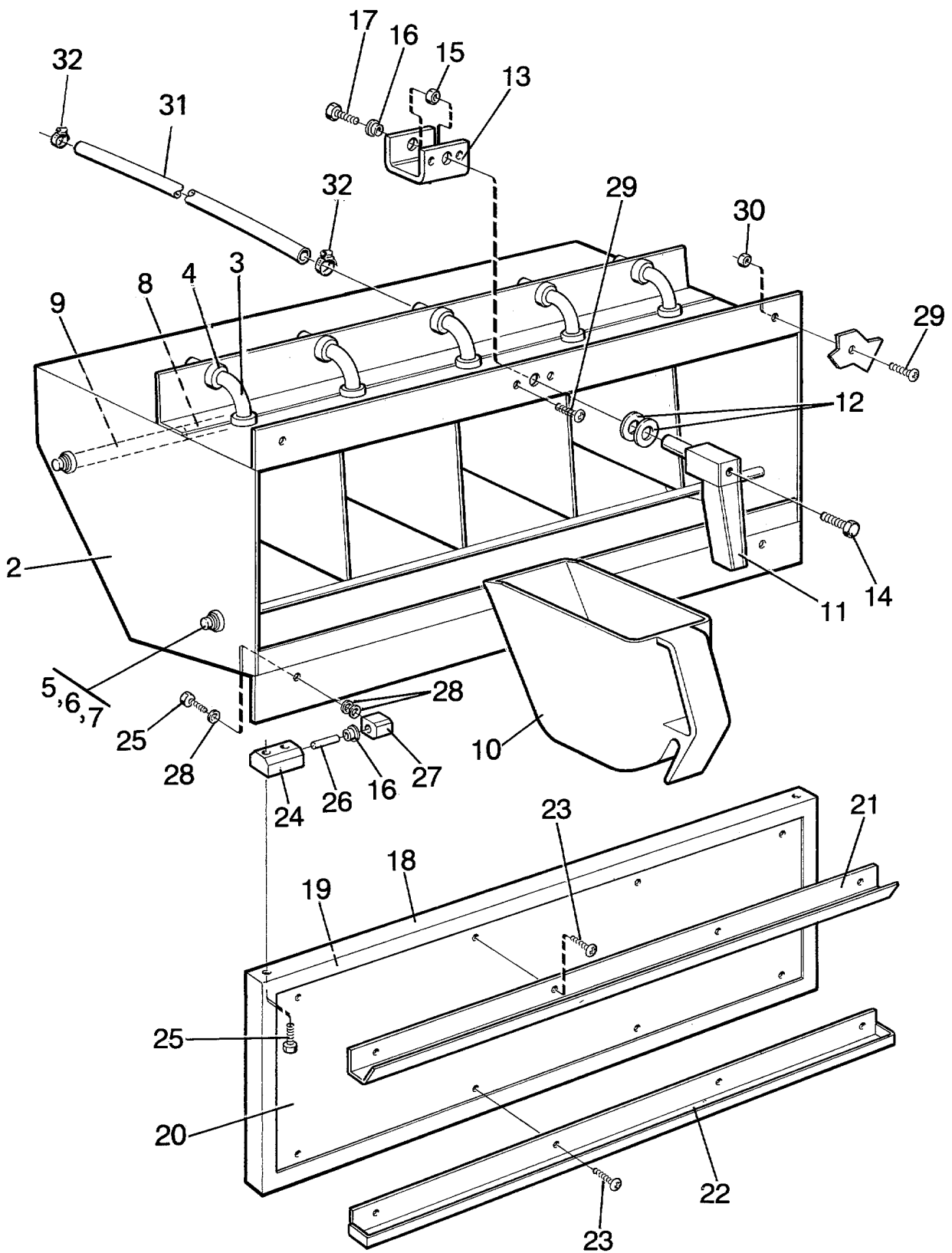
Suspension

Suspension

Illustration Issue Month Year
Schéma Issue Month Year
100322 1 3 1988

Item Article	Qua Qua	Art.No Réf. article	Description	Description	Info Info	Notes Remarques
1	1	472 6234-00	Suspension unit	Organe de suspension	1	
2	1	471 7802-00	•Pressure spring	•Ressort de pression	1	
3	2	471 8307-00	•Link head	•Tête de liaison	3	
4	2	731 2322-01	•Nut	•Écrou	3	M12
5	2	472 6231-00	•Circular plate	•Plaque circulaire	3	
6	2	472 6233-00	•End support	•Support	3	
7	4	472 6232-00	•Rod	•Barre	3	
8	4	471 8576-00	•Bushing	•Douille	1	
9	8	731 2318-01	•Nut	•Écrou	3	M8
10	2	725 2548-51	Screw	Vis	3	M12X80
11	4	472 6256-00	Spacer	Entretoise	3	
12	4	734 1178-01	Washer	Rondelle	3	BRB 13X24
13	2	732 2122-01	Locking nut	Contre-écrou	3	M12

1



100323

Issue	Month	Year
01	05	88

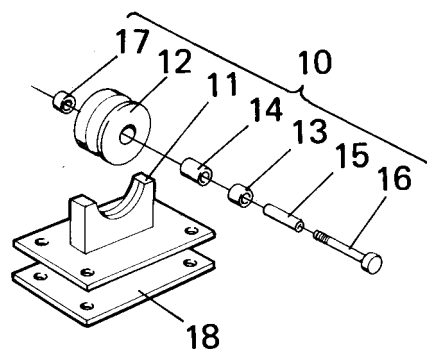
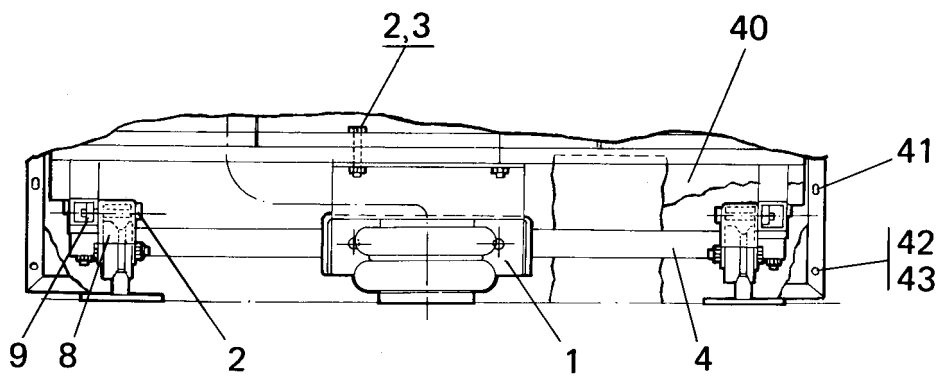
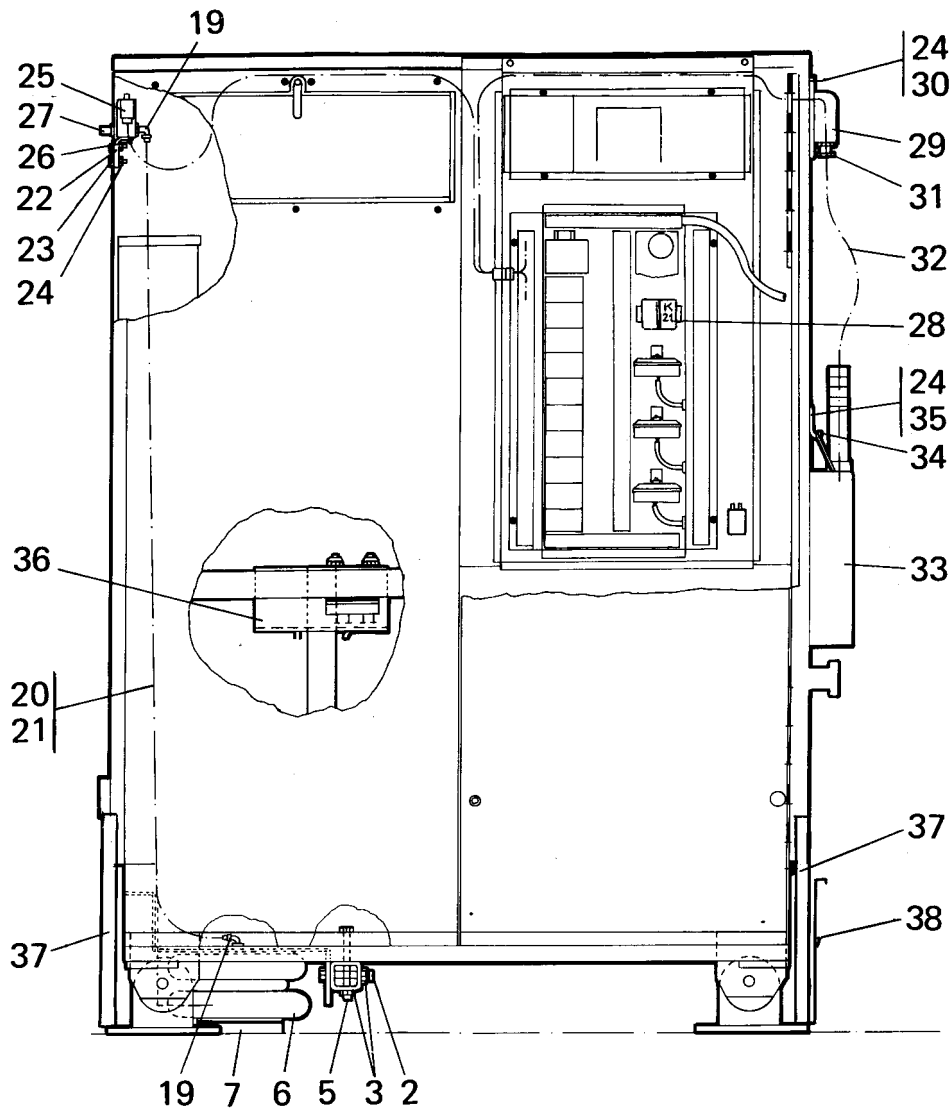
EX-80,EX-80 HI-TEK

Dispensing components

Distributeur de savon

Illustration Issue Month Year
Schéma Issue Month Year
100323 2 4 1989

Item Article	Qua Qua	Art.No Réf. article	Description	Description	Info Info	Notes Remarques
1	1	472 7256-01	Detergent dispenser	Doseur de produit de lavage	3	Complete
2	1	472 7260-01	•Box	•Boîtier	3	
3	5	472 6345-01	•Elbow	•Tube coudé	3	
4	10	471 8164-01	•Grommet	•Oeillet	1	
5	2	472 6346-01	•Support	•Support	3	
6	4	471 8164-00	•Grommet	•Oeillet	1	D7
7	4	735 5852-00	•Washer	•Rondelle	3	
8	3	472 6347-01	•Spacer	•Entretoise	3	
9	2	472 6348-01	•Spacer	•Entretoise	3	
10	5	472 6374-01	•Cup	•Godet	1,2	
11	1	472 6030-01	•Handle	•Poignée	1,2	Complete
12	2	734 1178-09	•Washer	•Rondelle	3	BRB 13X24
13	1	471 4210-01	•Clamp	•Bride de fixation	3	
14	1	725 5340-01	•Screw	•Vis	3	M5X45
15	3	731 2314-01	•Nut	•Écrou	3	M5
16	3	471 8577-02	•Bushing	•Douille	1	
17	1	724 1335-01	•Screw	•Vis	3	M5X30
18	1	472 6363-03	•Door	•Plaque	3	
19	1	471 8174-01	•Strip	•Ruban	1	
20	1	472 6362-01	•Door	•Plaque	3	
21	1	472 6393-01	•Rail	•Support	3	
22	1	472 6393-02	•Rail	•Support	3	
23	8	471 8320-11	•Screw	•Vis	3	M4X12
24	2	472 6397-01	•Bracket	•Support de montage	3	
25	6	725 2327-42	•Screw	•Vis	3	M5X12
26	2	720 1307-06	•Pin	•Goupille	3	
27	2	472 6396-01	•Bracket	•Support de montage	3	
28	10	734 1153-09	•Washer	•Rondelle	3	BRB 6,4X12
29	7	724 1327-42	Screw	Vis	3	M5X12
30	7	731 2314-01	Nut	Écrou	3	M5
31	5	471 8116-03	Hose	Flexible	1	L=1450
32	10	736 2816-51	Hose clamp	Attache flexible	3	Ø13-19



Issue	Month	Year
03	02	96

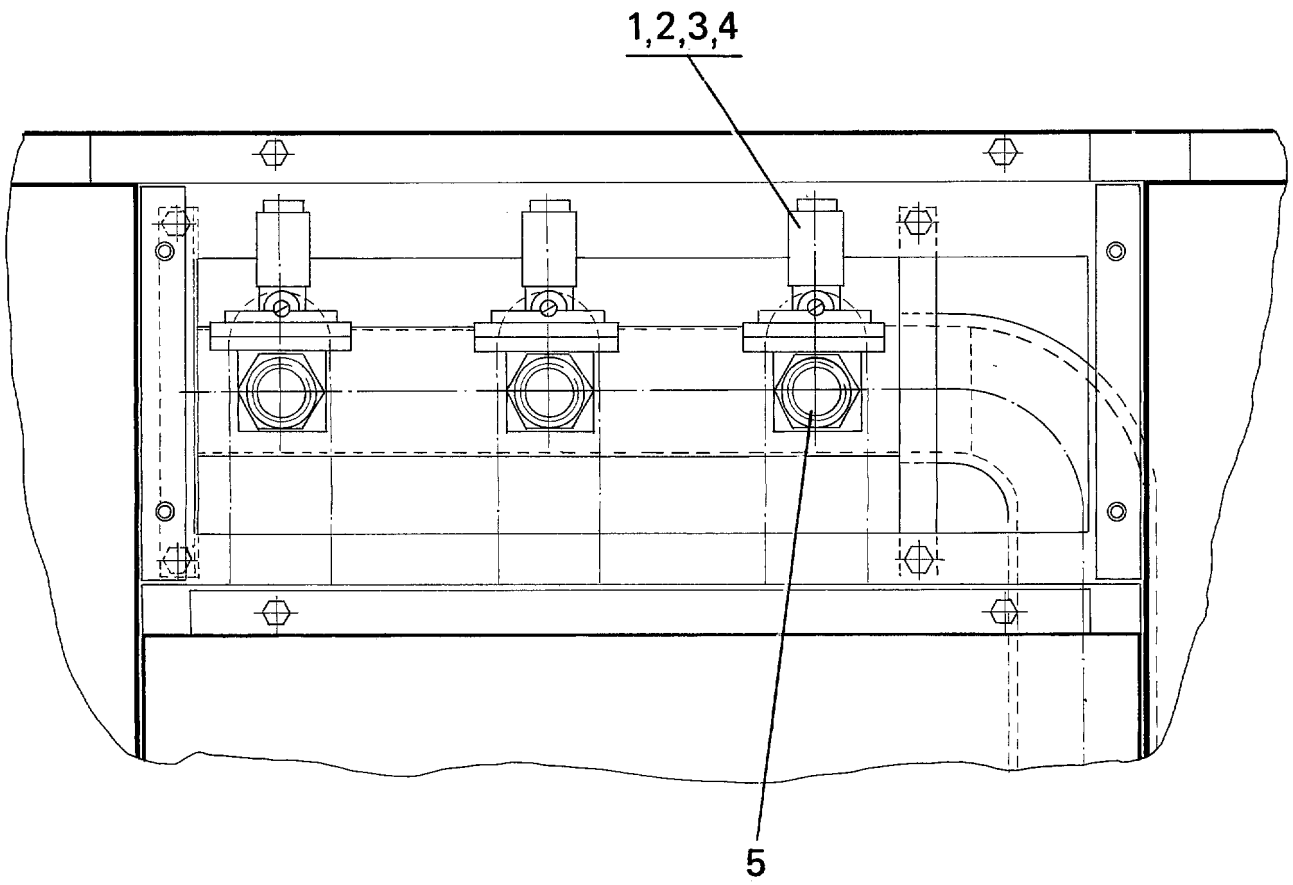
EX-80,EX-80 HI-TEK

Tilt, forward

Inclinable vers l'avant

Illustration Issue Month Year
Schéma Issue Month Year
100192 3 5 1998

Item Article	Qua Qua	Art.No Réf. article	Description	Description	Info Info	Notes Remarques
1	1	472 7282-01	Plate	Tableau	3	
2	8	725 2548-51	Screw	Vis	3	M12X80
3	6	732 2122-01	Locking nut	Contre-écrou	3	M12
4	1	472 7286-01	Beam	Poutre	3	
5	2	725 2558-51	Screw	Vis	3	M12X130
6	1	471 8271-02	Cylinder	Cylindre	1	
7	1	471 4207-01	Plate	Tableau	3	
8	4	472 7283-01	Foot	Pied	3	
9	4	472 7285-01	Bracket	Support de montage	3	
10	4	472 6818-01	Foot	Pied	1	Complete
11	4	472 6812-01	•Bracket	•Support de montage	1	Foot
12	4	472 6810-01	•Wheel	•Roue	1	
13	4	471 8576-03	•Bushing	•Douille	1	20/28X20
14	4	471 8576-04	•Bushing	•Douille	1	20/28X30
15	4	472 6814-01	•Bushing	•Douille	1	
16	4	725 2636-51	•Screw	•Vis	3	M16X80
17	4	732 2124-01	•Locking nut	•Contre-écrou	3	M16
18	RQ	472 7944-01	Plate	Plaque	3	
19	2	471 8690-22	Connection	Connexion	3	
20	RQ	471 4647-80	Hose	Flexible	3	
21	10	762 9105-05	Cable strap	Serre-câble	3	
22	1	471 2418-32	Bracket	Support de montage	3	
23	2	725 2368-51	Screw	Vis	3	M6X16
24	8	731 2316-01	Nut	Écrou	3	M6
25	1	471 9202-32	Solenoid valve	Électrovanne	1,2	50Hz See group US8136
	1	471 9202-33	Solenoid valve	Électrovanne	1,2	60Hz See group US8136
26	2	724 1289-01	Screw	Vis	3	M4X10
27	1	471 2426-56	Hose nipple	Mamelon de flexible	3	
28	1	438 9636-02	Contacteur	Relais	1,2	50Hz, K3-10
	1	438 9636-03	Contacteur	Relais	1,2	60Hz, K3-10
29	1	472 6852-03	Flange	Bride	3	White
30	4	725 2370-42	Screw	Vis	3	M6X20
31	1	762 2111-05	Sleeve	Manchon	3	
32	1	471 7253-90	Cable	Câble	3	
33	1	471 8721-01	Control for tilting	Bouton-poussoir	1	
34	1	472 6855-01	Hook	Crochet	3	
35	2	723 5368-42	Screw	Vis	3	M6X16
36	2	472 9066-01	Support	Support	3	



100211

Issue	Month	Year
01	05	88

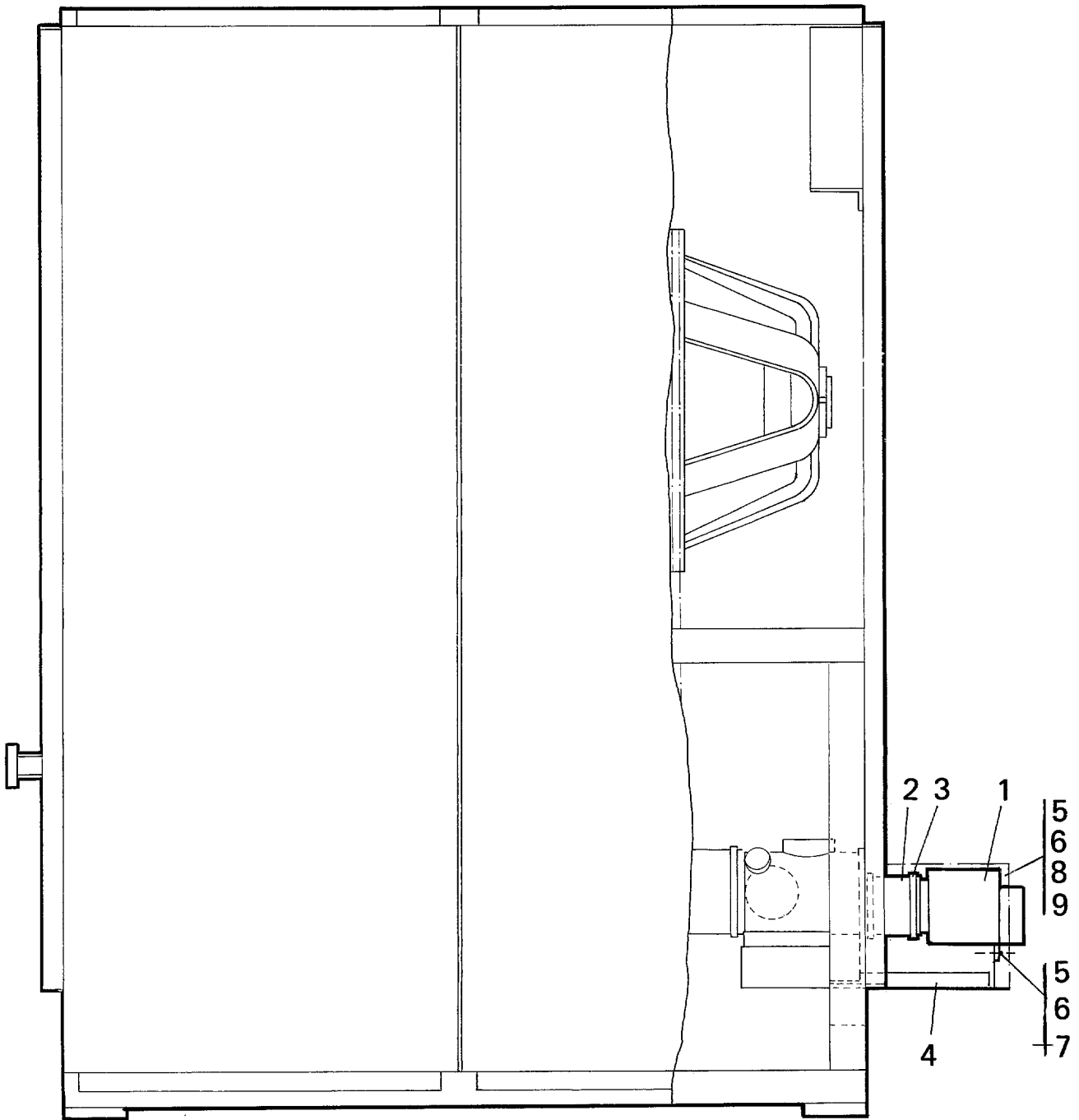
EX-80,EX-80 HI-TEK

Third water valve

Soupapes vapeur et eau

Illustration	Issue	Month	Year
Schéma	Issue	Month	Year
100211	2	8	1991

Item Article	Qua Qua	Art.No Réf. article	Description	Description	Info Info	Notes Remarques
1	1	471 8210-32	Valve	Soupape	1,2	1 1/4" 50Hz See group US8116
	1	471 8210-31	Valve	Soupape	1,2	1 1/4" 60Hz See group US8116
2	1	471 8657-06	Plug	Fiche	3	
3	1	741 3117-32	Nipple	Raccord	3	R 1 1/4"
4	1	741 3833-24	Nipple	Raccord	3	DN40-32
5	1	744 3117-06	Filter	Filtre	1,2	R 1 1/4"



100212

Issue	Month	Year
01	05	88

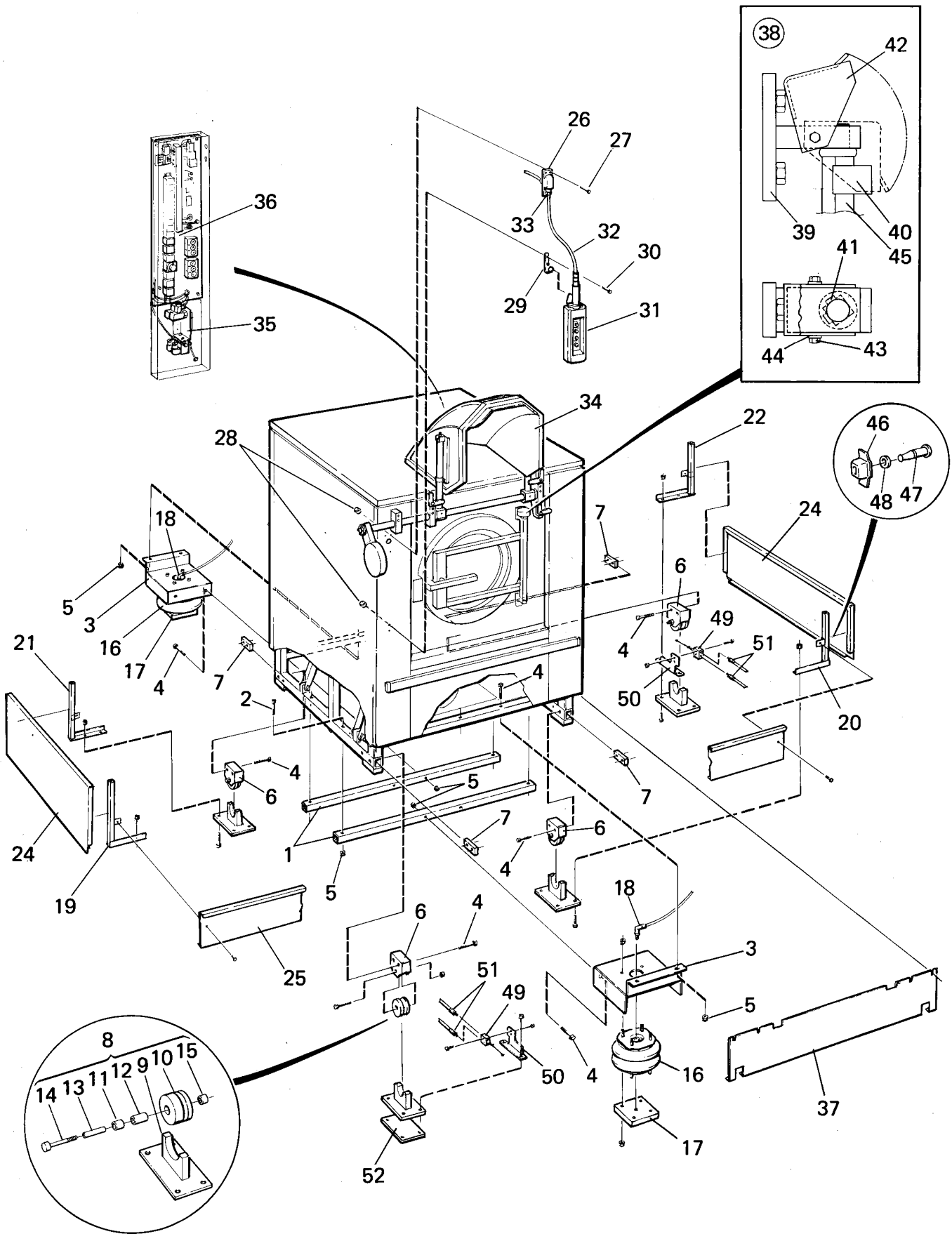
EX-80,EX-80 HI-TEK

Water and heat recovery systems

Systèmes, récupération d'eau et de chaleur

Illustration Issue Month Year
Schéma Issue Month Year
100212 2 1 1992

Item Article	Qua Qua	Art.No Réf. article	Description	Description	Info Info	Notes Remarques
1	1	471 8215-01	Drain valve	Purgeur	1,2	50/60Hz
2	1	471 8110-01	Hose	Flexible	1	
3	2	736 2849-51	Hose clamp	Attache flexible	3	Ø77-93
4	1	472 9084-01	Valve mounting	Montage des soupapes	3	
5	6	725 2449-51	Screw	Vis	3	M8X16
6	6	734 1164-01	Washer	Rondelle	3	8,4X17
7	2	731 2318-01	Nut	Écrou	3	M8
8	1	472 9088-01	Cover	Couvercle	3	
9	4	733 6117-01	Nut	Écrou	3	M8



100700

Issue	Month	Year
06	04	97

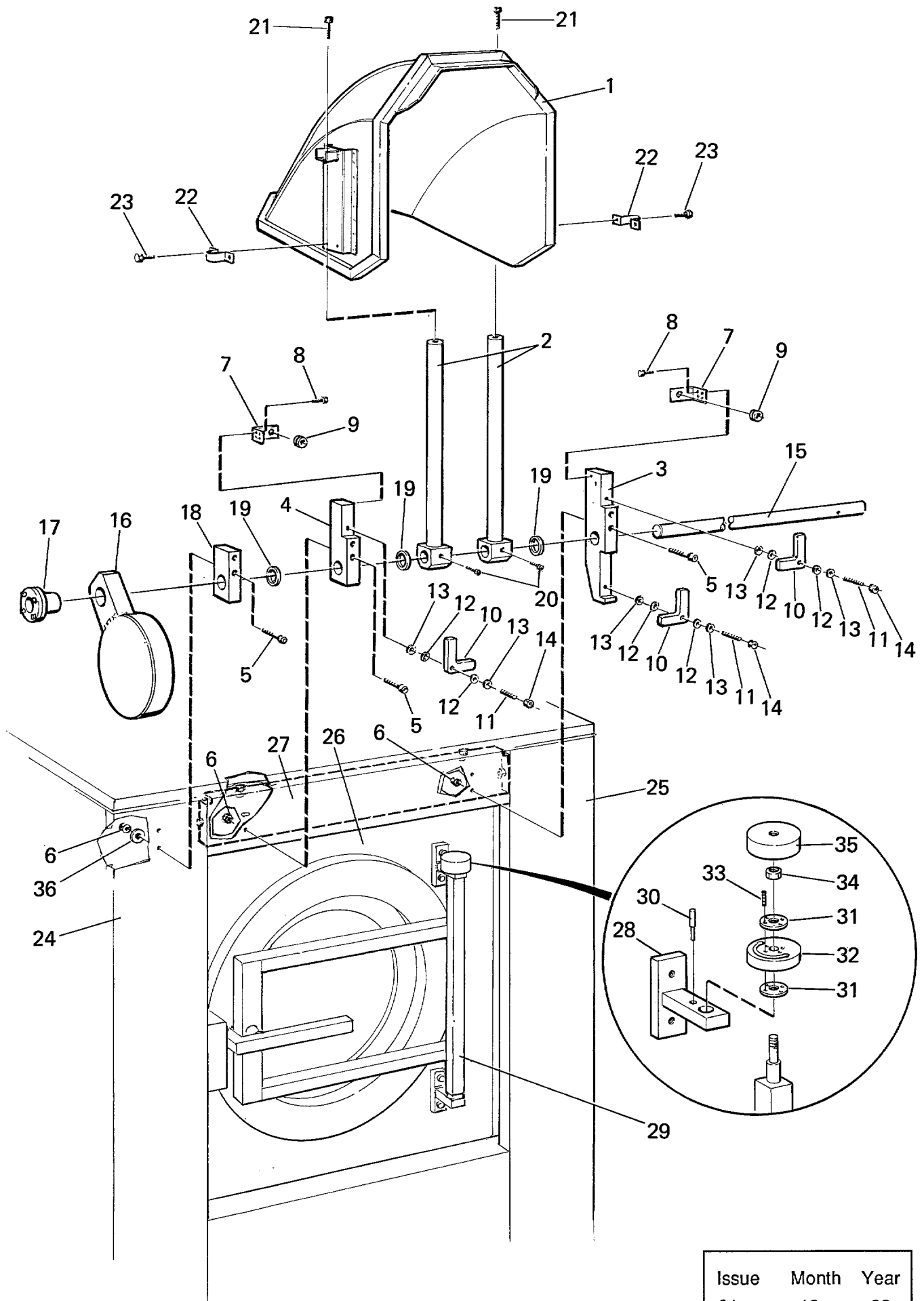
EX-80,EX-80 HI-TEK

Tilting device and funnel

Systèmes, récupération d'eau et de chaleur

Illustration Issue Month Year
Schéma Issue Month Year
100700 4 5 1998

Item Article	Qua Qua	Art.No Réf. article	Description	Description	Info Info	Notes Remarques
1	2	472 7286-01	Beam	Poutre	3	
2	4	725 2558-51	Screw	Vis	3	M12X130
3	2	472 7282-01	Plate	Tableau	3	
4	16	725 2548-51	Screw	Vis	3	M12X80
5	20	732 2122-01	Locking nut	Contre-écrou	3	M12
6	4	472 7283-01	Foot	Pied	3	
7	4	472 7285-01	Bracket	Support de montage	3	
8	4	472 6818-01	Foot	Pied	1	Complete
9	4	472 6812-01	•Bracket	•Support de montage	1	
10	4	472 6810-01	•Wheel	•Roue	1	
11	4	471 8576-03	•Bushing	•Douille	3	20/28X20
12	4	471 8576-04	•Bushing	•Douille	3	20/28X30
13	4	472 6814-01	•Bushing	•Douille	3	
14	4	725 2636-51	•Screw	•Vis	3	M16X80
15	4	732 2124-01	•Locking nut	•Contre-écrou	3	M16
16	2	471 8271-02	Cylinder	Cylindre	1	
17	2	471 4207-01	Plate	Tableau	3	
18	2	471 8690-22	Connection	Connexion	3	
19	1	472 9371-01	Pillar	Montant	3	Left
20	1	472 9372-01	Pillar	Montant	3	Right
21	1	472 9372-02	Pillar	Montant	3	Left
22	1	472 9371-02	Pillar	Montant	3	Right
23						Not used
24	2	472 9366-01	Plate	Plaque	3	
25	1	472 9367-01	Plate	Plaque	3	
26	1	472 6852-03	Flange	Bride	3	White
27	4	725 2370-42	Screw	Vis	3	M6X20
28	8	731 2316-01	Nut	Écrou	3	M6
29	1	472 6855-01	Hook	Crochet	3	
30	2	723 5368-42	Screw	Vis	3	M6X16
31	1	471 8721-01	Control for tilting	Bouton-poussoir	1	
32	1	471 7253-90	Cable	Câble	3	
33	1	762 2111-05	Sleeve	Manchon	3	
34			Loading hopper	Dispositif		See illustr. 100679
35			Valve package	Valves		See illustr. 100699
36			Control unit	Unité de contrôle		See illustr. 100193
37	1	472 9394-01	Protection panel	Plaque protectrice	3	
38	1	472 9388-02	Door locking device	Dispositif fermeture de porte	3	Complete
39	1	472 9375-01	•Hinge mounting	•Montage de charnière	3	
40	1	472 9373-01	•Door stop	•Butée	3	
41	2	471 8344-28	•Screw	•Vis	3	M5X30
42	1	472 9361-01	•Cover	•Couvercle	3	
43	2	725 2366-42	•Screw	•Vis	3	M6X12
44	2	471 8577-02	•Bushing	•Douille	3	
45	1	472 6208-00	•Frame	•Châssis	3	



100679

Issue	Month	Year
01	12	88

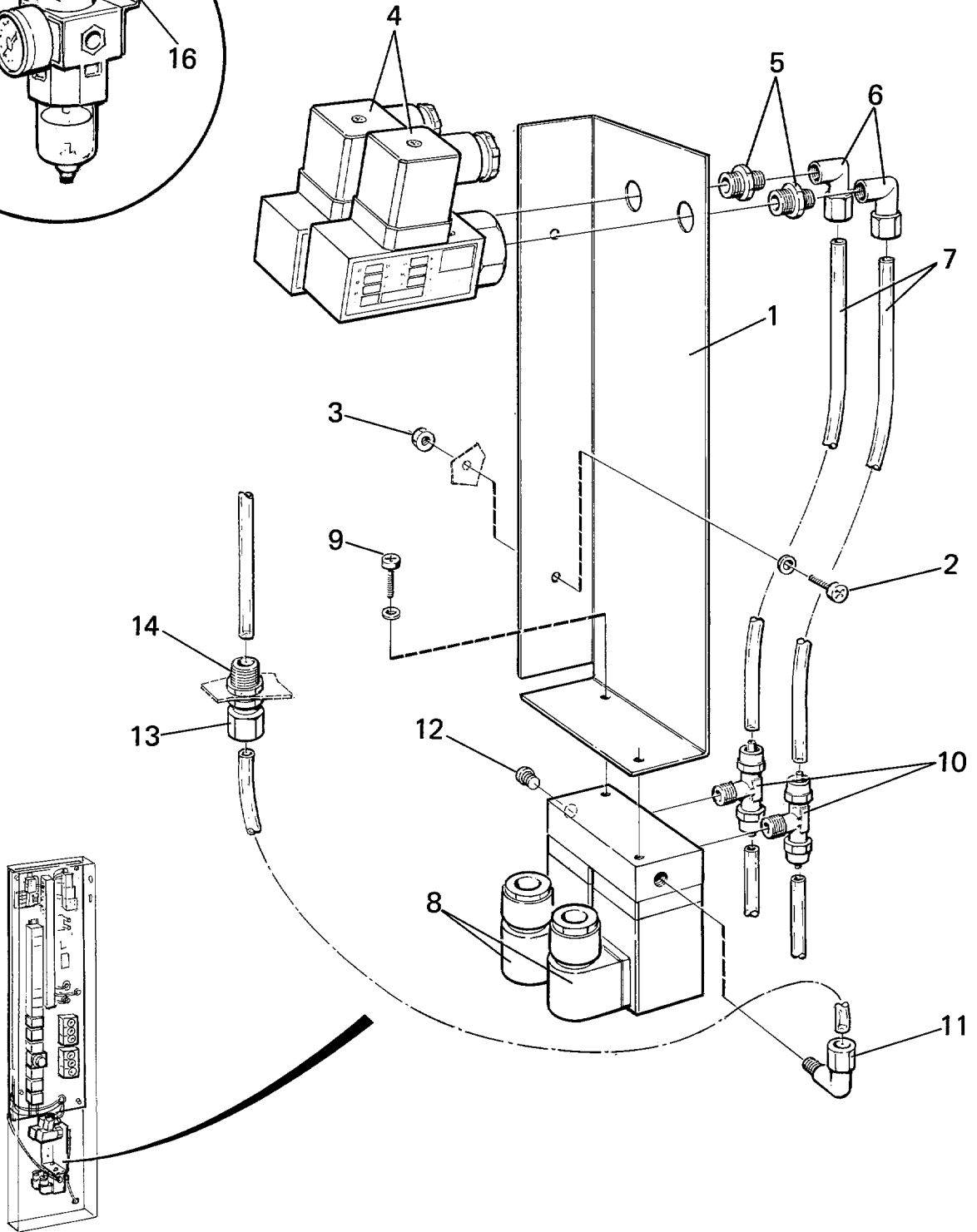
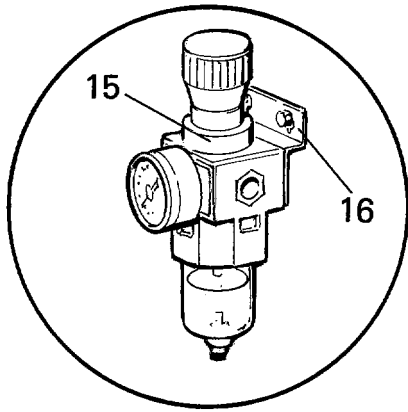
EX-80,EX-80 HI-TEK

Feed funnel

Dispositif

Illustration Issue Month Year
Schéma Issue Month Year
100679 1 4 1989

Item Article	Qua Qua	Art.No Réf. article	Description	Description	Info Info	Notes Remarques
1	1	472 7278-01	Loading hopper	Dispositif	3	
2	2	472 9365-01	Arm	Bras	3	
3	1	472 9353-01	Bracket	Support de montage	3	
4	1	472 9353-02	Bracket	Support de montage	3	
5	6	725 5463-42	Screw	Vis	3	M8X60
6	6	732 2118-21	Nut	Écrou	3	M8
7	2	472 9354-01	Bracket	Support de montage	3	
8	4	724 1289-42	Screw	Vis	3	M4X10
9	2	471 8164-00	Grommet	Oeillet	1	D7
10	3	472 9355-01	Angle	Coude	3	
11	3	727 1376-42	Screw	Vis	3	PS6X35
12	6	734 1153-60	Washer	Rondelle	3	BRB 6,4X12,5
13	6	734 1153-49	Washer	Rondelle	3	6,4
14	3	731 2116-42	Nut	Écrou	3	
15	1	472 7995-02	Shaft	Arbre	3	
16	1	472 9368-01	Balance weight	Contrepoids	3	
17	1	471 8552-01	Clamping sleeve	Gaine de serrage	3	
18	1	472 7995-01	Bracket	Support de montage	3	
19	3	471 8581-01	Bushing	Douille	3	
20	2	725 5366-42	Screw	Vis	3	M6X12
21	2	725 2488-42	Screw	Vis	3	M10X14
22	2	472 9056-01	Clamp	Bride de fixation	3	
23	4	725 2447-42	Screw	Vis	3	M8X12
24	1	472 9370-01	Pillar	Montant	3	
	1	472 9370-02	Pillar	Montant	3	
25	1	472 9370-03	Pillar	Montant	3	
26	1	472 7242-02	Front panel	Panneau avant	3	
27	1	472 9062-01	Reinforcement	Renforcement	3	
28	1	472 6211-01	Hinge mounting	Montage de charnière	3	
29	1	472 6208-01	Door arm	Bras d'une porte	3	
30	1	472 9387-01	Pin	Goupille	3	
31	2	472 9384-01	Washer	Rondelle	3	
32	1	472 9386-01	Disc	Disque	3	
33	4	728 7362-40	Screw	Vis	3	
34	1	732 2120-42	Locking nut	Contre-écrou	3	M10
35	1	472 9389-01	Cover	Couvercle	3	
36	2	734 1164-49	Washer	Rondelle	3	8,4



EX-80,EX-80 HI-TEK

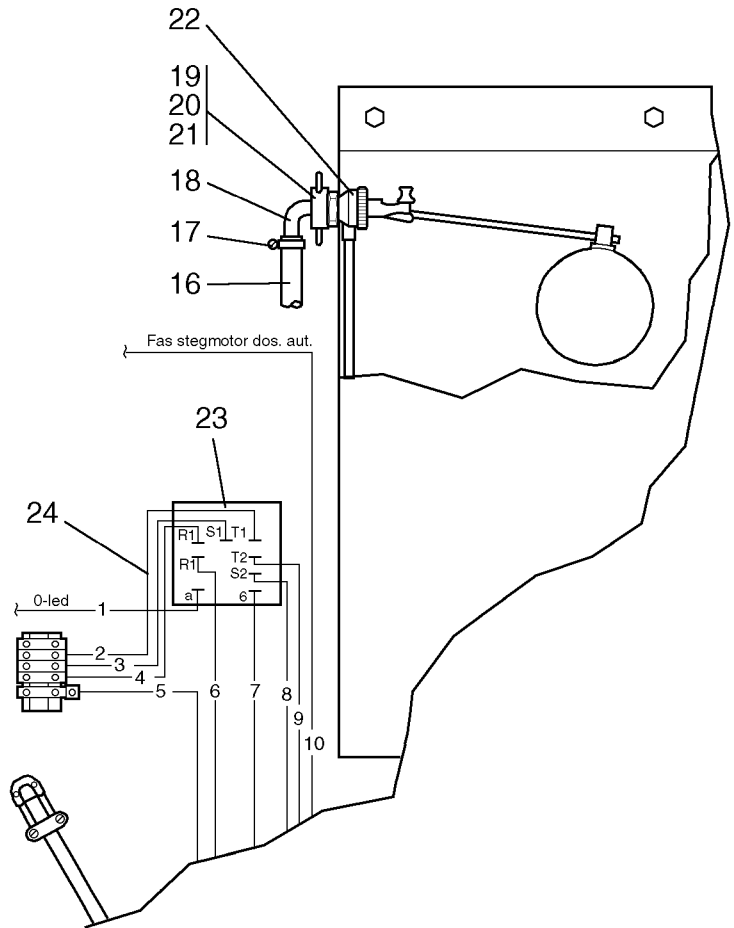
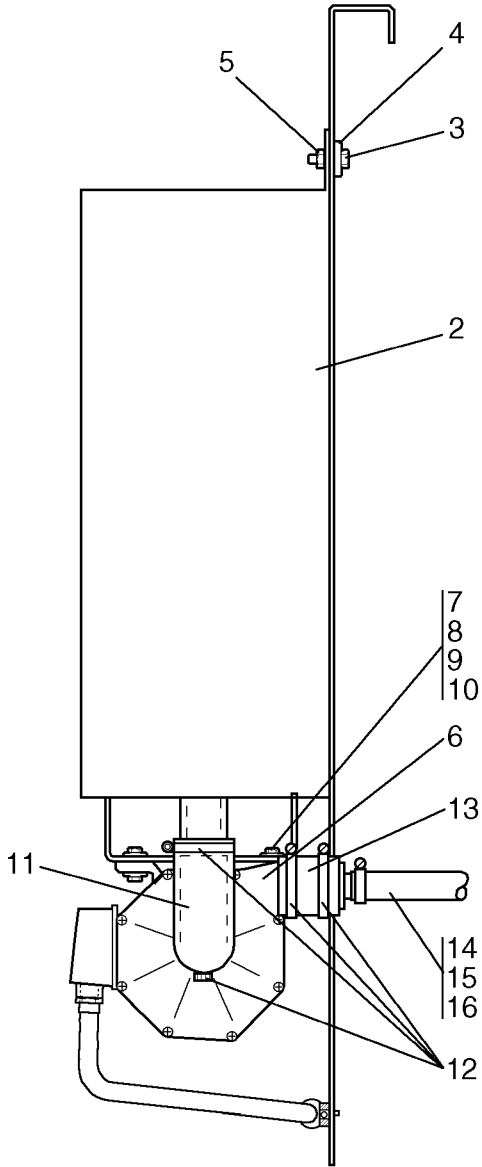
Valve block for tilting device

Valves de basculement

Illustration Issue Month Year
Schéma Issue Month Year
100699 2 2 1992

Item Article	Qua Qua	Art.No Réf. article	Description	Description	Info Info	Notes Remarques
1	1	472 9380-01	Bracket	Support de montage	3	
2	2	724 1327-01	Screw	Vis	3	M5X12
3	2	731 2314-01	Nut	Écrou	3	M5
4	2	471 9582-01	Pressure sensor	Capteur de pression	1	
5	2	741 4102-20	Bushing	Douille	3	
6	2	471 9062-93	Angle connector	Raccord d'angle	3	
7	RQ	877 5361-02	Hose	Flexible	3	
8	2	471 9043-04	Solenoid valve	Électrovanne	1	50Hz With plate
9	2	724 1327-01	Screw	Vis	3	M5X12
10	2	471 8601-00	T-coupling	Raccord en T	3	
11	1	471 9062-93	Angle connector	Raccord d'angle	3	
12	1	741 5109-24	Plug	Fiche	3	1/8"
13	1	471 9062-94	Connection	Embrayage	3	
14	1	741 4102-20	Bushing	Douille	3	
15	1	471 8275-01	Regulator	Régulateur	1	
16	1	471 8275-50	Angle	Coude	3	

1



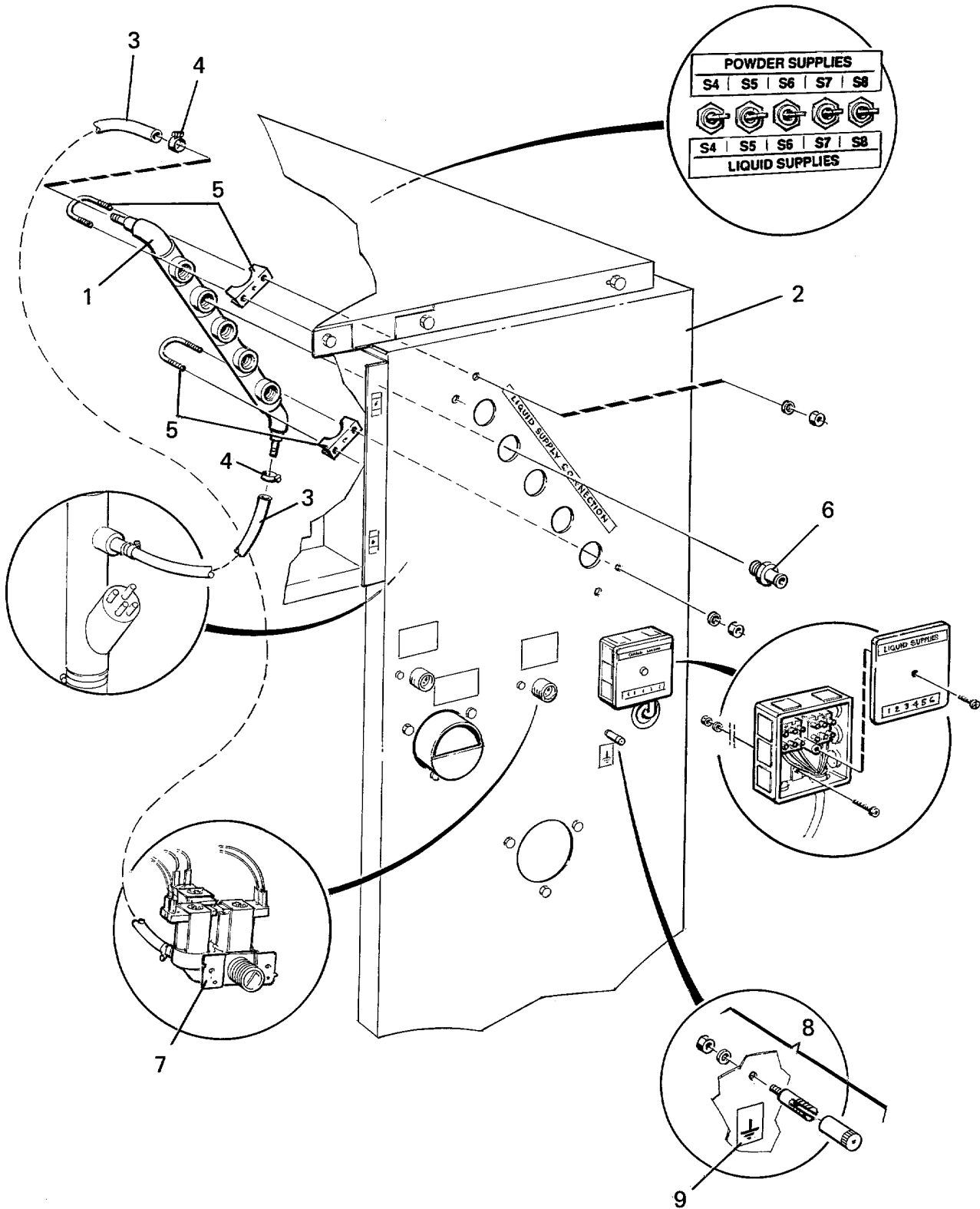
EX-80,EX-80 HI-TEK

Pressure amplifier

Pompe refoulante auxiliaire

Illustration Issue Month Year
Schéma Issue Month Year
100363 3 8 1993

Item Article	Qua Qua	Art.No Réf. article	Description	Description	Info Info	Notes Remarques
1	1	471 1612-01	Auxiliary pressure pump	Pompe refoulement	3	Complete
2	1	471 4018-00	•Container	•Conteneur	3	
3	3	725 2451-51	•Screw	•Vis	3	M8X20
4	3	471 9019-34	•Washer	•Rondelle	3	TBR5B 8,4X26
5	3	732 2118-01	•Locking nut	•Contre-écrou	3	M8
6	1	471 9223-03	•Pump	•Pompe	1,2	380-415V, 50Hz See group US8610
7	4	725 2372-51	•Screw	•Vis	3	M6X25
8	8	471 9018-51	•Washer	•Rondelle	3	
9	4	734 1153-01	•Washer	•Rondelle	3	BRB 6,4X12
10	4	732 2116-01	•Locking nut	•Contre-écrou	3	M6
11	1	471 2260-05	•Hose	•Flexible	1	
12	4	736 2837-51	•Hose clamp	•Attache flexible	3	Ø48-54 56
13	1	471 2464-17	•Hose	•Flexible	3	
14	1	471 4012-01	•Manifold	•Collecteur	3	FLE403
15	1	471 4012-02	•Manifold	•Collecteur	3	FLE804
16	1	471 8116-09	•Hose	•Flexible	3	L=2900
17	2	471 9228-69	•Hose clamp	•Attache flexible	3	13-24
18	1	471 9009-38	•Hose sleeve	•Manchon	3	15
19	1	471 9010-73	•Nut	•Écrou	3	DN15
20	1	471 2261-49	•Gasket	•Joint	1	
21	1	741 4114-20	•Bushing	•Douille	3	R 3/4"/1/2"
22	1	471 8247-01	•Valve	•Soupape	1	
23	1	471 9207-72	•Relay	•Relais	1,2	
	1	471 9208-98	•Clamp	•Bride de fixation	3	
24	1	471 4641-76	•Cable set	•Jeu de câbles	3	



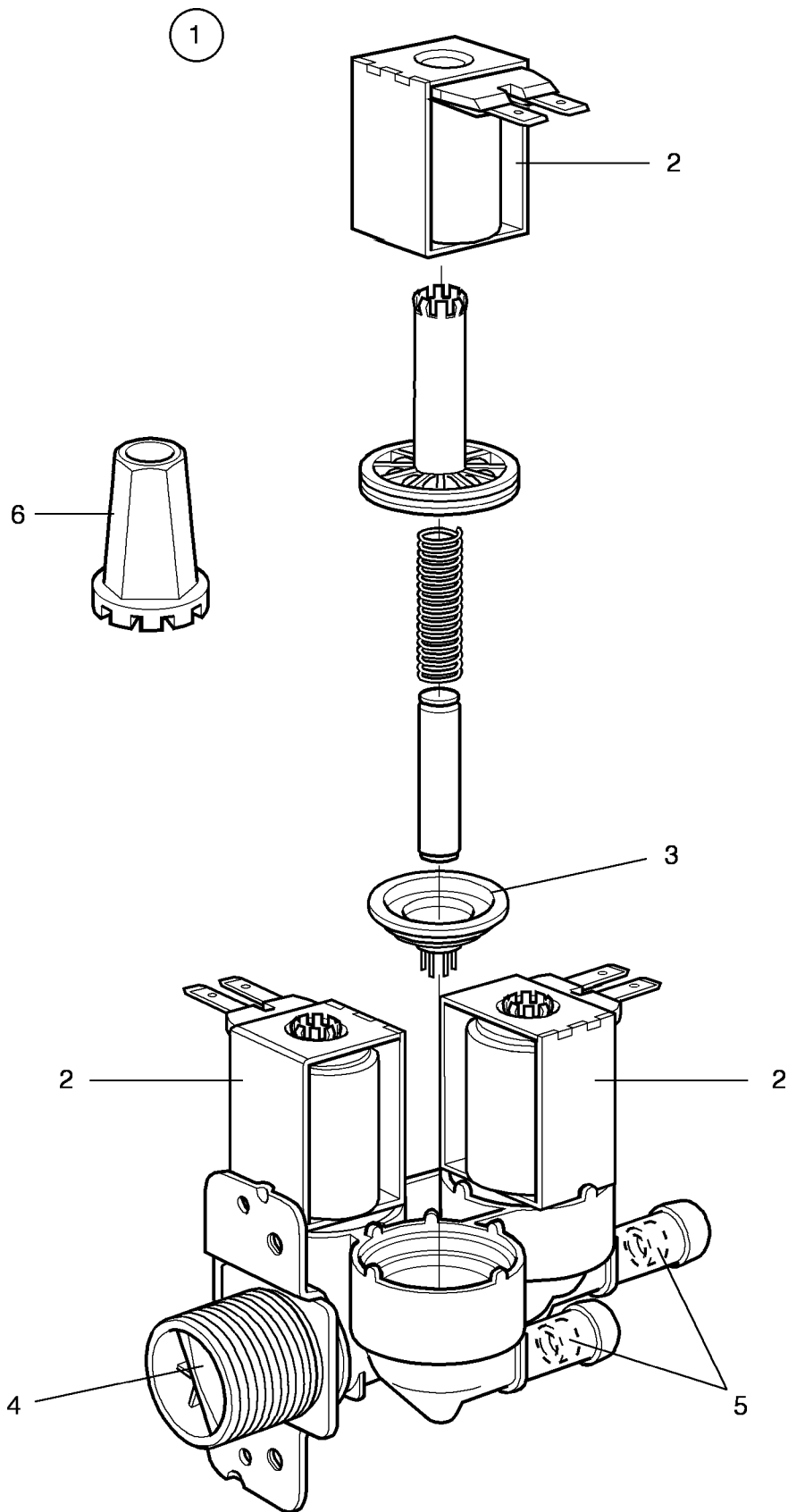
EX-80,EX-80 HI-TEK

Liquid detergent

Produit de lavage liquide

Illustration Issue Month Year
Schéma Issue Month Year
101113/1 2 3 1997

Item Article	Qua Qua	Art.No Réf. article	Description	Description	Info Info	Notes Remarques
1	1	471 4670-16	Connection	Connexion	3	
2	1	472 6202-20	Plate	Plaque	3	
3	2	877 5211-08	Hose	Flexible	1	Per 1 m
4	2	736 2816-51	Hose clamp	Attache flexible	3	Ø13-19
5	2	471 7858-04	Clamp	Attache	3	
6	5	471 8623-01	Connection	Embrayage	3	1/2"
7	1	471 8236-01	Valve	Soupape	1,2	208-240V 50Hz 3-way See group US8113
8	1	471 9005-27	Screw	Vis	3	
9	1	471 4656-21	Sign	Signe	3	



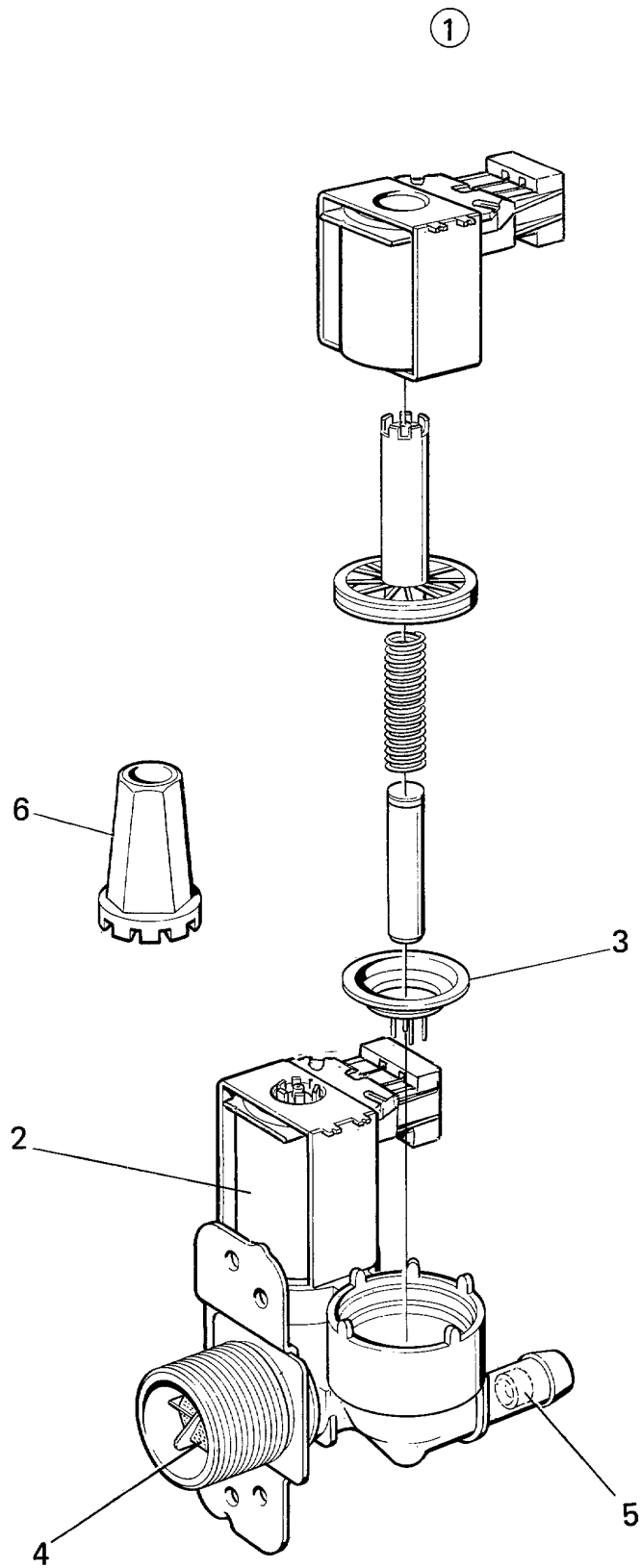
EX-80,EX-80 HI-TEK

Inlet valve 3/4", 3-way

Soupape de admission 3/4", 3 voies

Illustration Issue Month Year
Schéma Issue Month Year
100046/3 3 8 1991

Item Article	Qua Qua	Art.No Réf. article	Description	Description	Info Info	Notes Remarques	
1	1	471 8236-01	Valve	Soupape	1,2	208-240V 50Hz 3-way NITRIL COMPL. RESTRICTION 20/20/20L/MIN	
	1	471 8236-07	Valve	Soupape	1,2	60Hz 3-way NITRIL COMPL. RESTRICTION 20/20/20L/MIN	
	1	471 8236-02	Valve	Soupape	1,2	208-240V 50Hz 3-way NITRIL COMPL. RESTRICTION 5,5/20/20L/MIN	
	1	471 8236-08	Valve	Soupape	1,2	60Hz 3-way NITRIL COMPL. RESTRICTION 5,5/20/20L/MIN	
	1	471 8236-09	Valve	Soupape	1,2	EPDM 208-240V 50Hz 3-way Complete RESTRICTION 5,5/20/20L/MIN	
	1	471 8236-03	Valve	Soupape	1,2	EPDM 208-240V 60Hz 3-way USA COMPL. RESTRICTION 5,5/20/20L/MIN	
	1	471 8236-04	Valve	Soupape	1,2	120V 60Hz 3-way USA COMPL. RESTRICTION 5,5/20/20L/MIN	
	1	471 8236-05	Valve	Soupape	1,2	EPDM 208-240V 60Hz 3-way USA COMPL. RESTRICTION 20/20/20L/MIN	
	1	471 8236-06	Valve	Soupape	1,2	EPDM 120V 60Hz USA COMPL. RESTRICTION 20/20/20L/MIN	
	1	471 8236-12	Valve	Soupape	1,2	208-240V 50Hz 3-way NITRIL COMPL. RESTRICTION 5,5/20/2,5L/MIN	
	1	471 8236-13	Valve	Soupape	1,2	EDPM 208-240V 60Hz 3-way Complete RESTRICTION 5,5/20/2,5L/MIN	
	1	471 8236-14	Valve	Soupape	1,2	208-240V 50Hz Complete Restriction 5/5-/l/min	
	1	471 8236-15	Valve	Soupape	1,2	208-240V 60Hz	
	2	3	471 6696-37	•Coil	•Bobine	1,2	208-240V 50Hz
		3	471 6696-33	•Coil	•Bobine	1,2	208-240V 60Hz
3		471 6696-71	•Coil	•Bobine	1,2	120V 50Hz	
3	3	471 6696-32	•Coil	•Bobine	1,2	120V 60Hz	
	3	471 8234-98	•Diaphragm	•Diaphragme	1,2	NITRIL	
4	3	471 8234-92	•Diaphragm	•Diaphragme	1,2	EPDM	
	1	471 8234-94	•Filter	•Filtre	1		
5	1	471 8234-95	•Restrictor	•Réducteur de débit	1	2,5l/min	
	1	471 8234-96	•Restrictor	•Réducteur de débit	1	5,5l/min	
6	1	471 8234-97	•Restrictor	•Réducteur de débit	1	10l/min	
	1	471 4792-01	Tool	Outil	1		



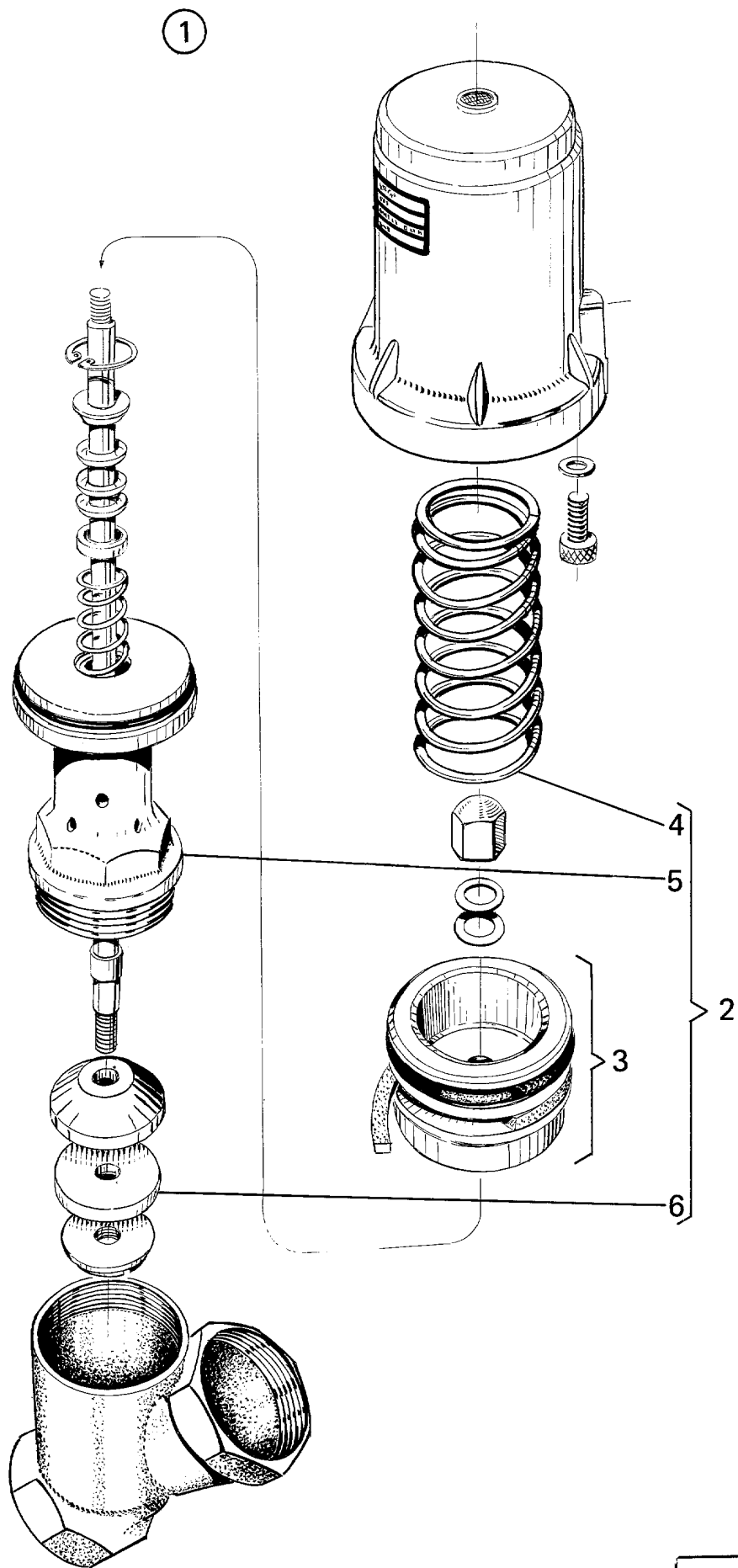
EX-80,EX-80 HI-TEK

Inlet valve 3/4", 2-way

Soupape de admission 3/4", 2 voies

Illustration Issue Month Year
Schéma Issue Month Year
100798/1 4 10 2002

Item Article	Qua Qua	Art.No Réf. article	Description	Description	Info Info	Notes Remarques
1	1	471 8235-51	Valve	Soupape	1,2	208-240V
	1	471 8235-54	Valve	Soupape	1,2	240V 60Hz 2-way USA
	1	471 8235-57	Valve	Soupape	1,2	120V 60Hz 2-way USA
2	1	471 6860-15	•Coil	•Bobine	1,2	120V Green
	1	471 6860-16	•Coil	•Bobine	1,2	120V Orange
	1	471 6860-17	•Coil	•Bobine	1,2	120V White
	1	471 6860-18	•Coil	•Bobine	1,2	Green
	1	471 6860-19	•Coil	•Bobine	1,2	Orange
	1	471 6860-20	•Coil	•Bobine	1,2	White
	1	471 8234-98	•Diaphragm	•Diaphragme	1,2	NITRIL
3	1	471 8234-92	•Diaphragm	•Diaphragme	1,2	EPDM
	1	471 8234-94	•Filter	•Filtre	1	
4	1	471 8234-95	•Restrictor	•Réducteur de débit	3	2,5l/min
5	1	471 8234-96	•Restrictor	•Réducteur de débit	3	5,5l/min
6	1	471 4792-01	Tool	Outil	3	



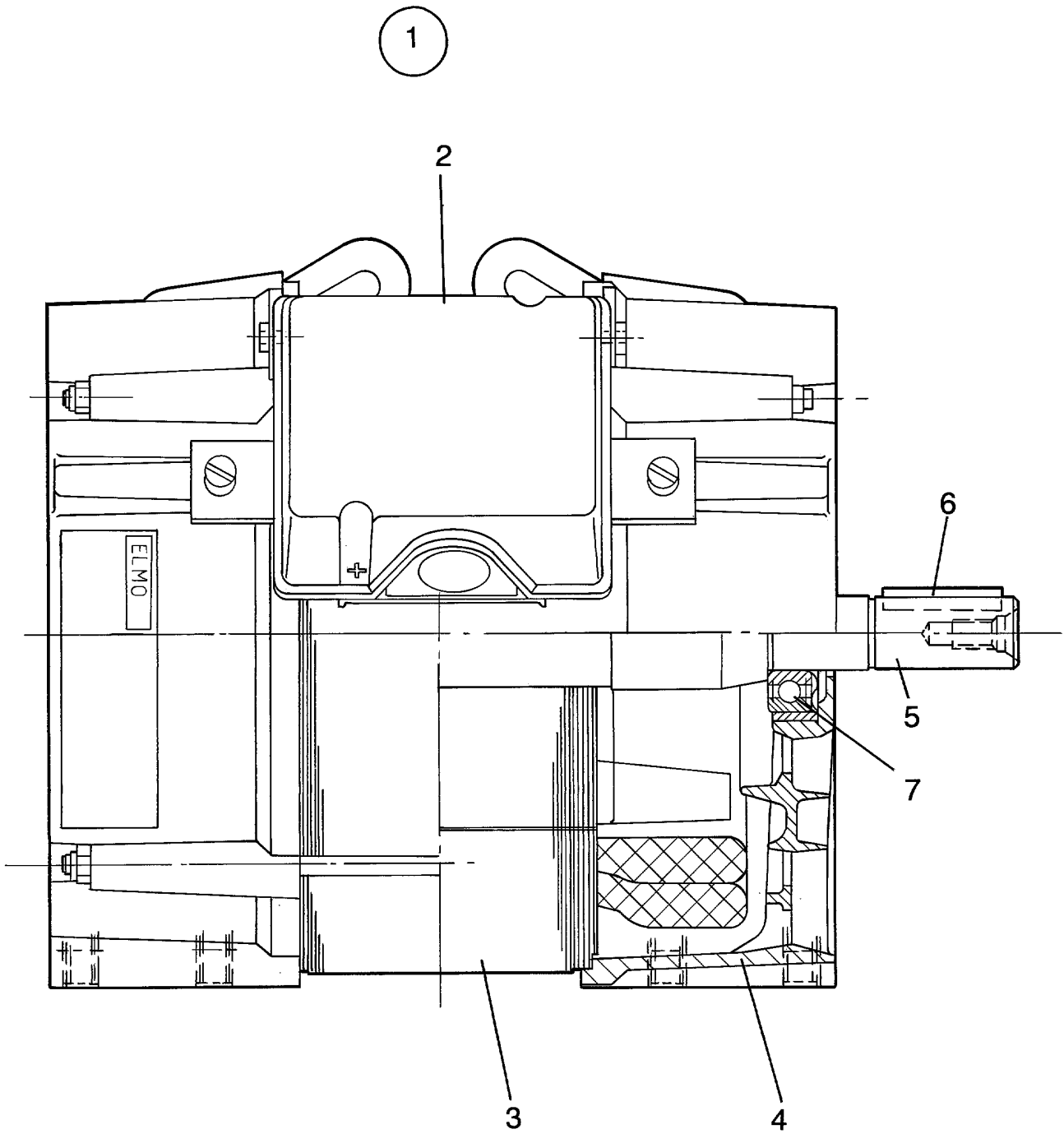
EX-80,EX-80 HI-TEK

Steam inlet valve

Soupape

Illustration Issue Month Year
Schéma Issue Month Year
100574 1 3 1990

Item Article	Qua Qua	Art.No Réf. article	Description	Description	Info Info	Notes Remarques
1	1	471 9041-80	Valve	Soupape	1,2	50/60Hz Complete
2	1	471 9062-05	Valve	Soupape	1,2	Complete
3	1	471 6903-83	•Repair kit	•Kit reconditionnement	1,2	
4	1		••Piston	••Piston	3	Complete
5	1		••Spring	••Ressort	3	
6	1		••O-ring	••Joint torique	3	
			••Seal	••Joint	3	



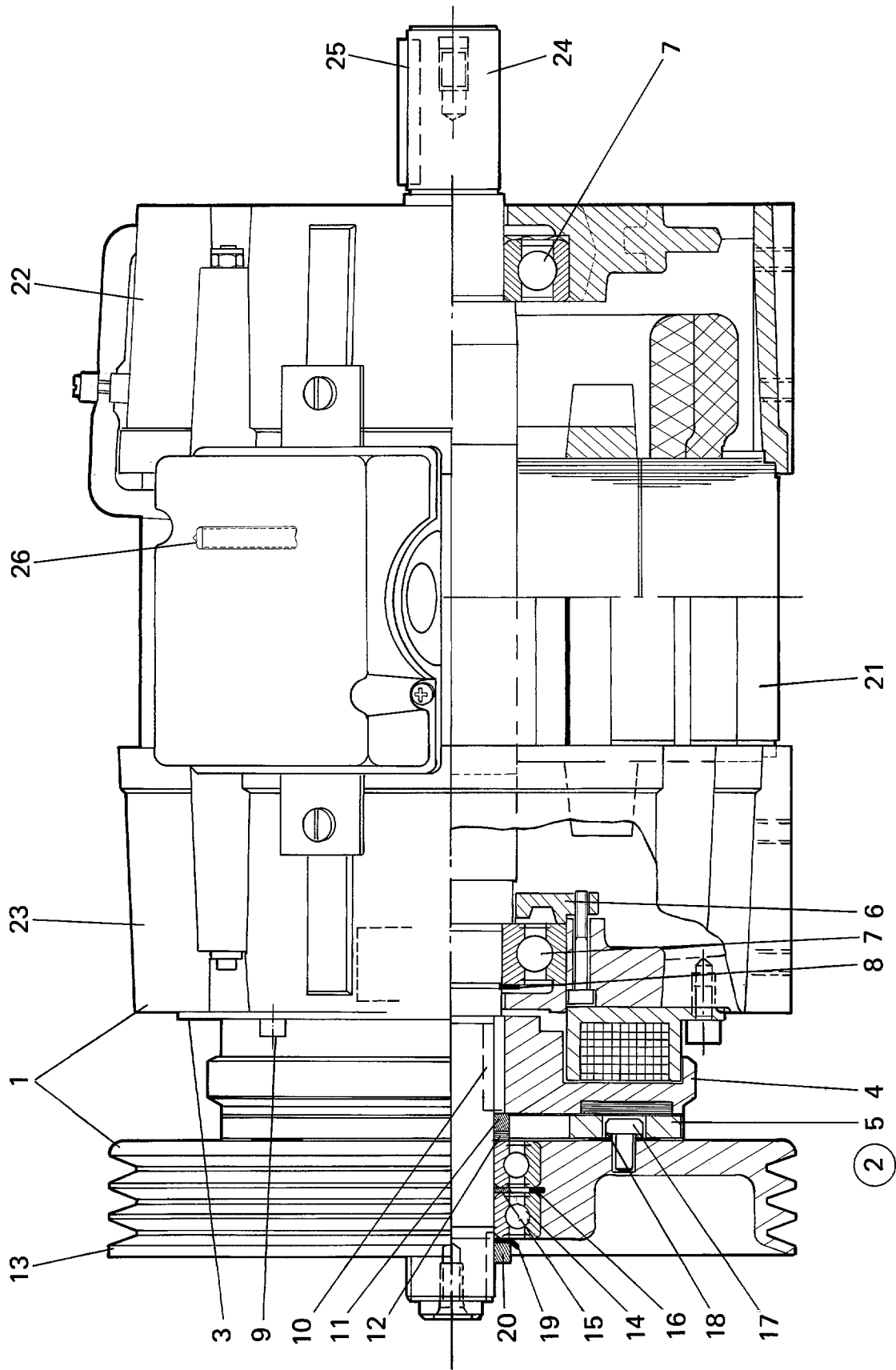
EX-80 85/1741-96/8984,EX-80 HI-TEK

Wash motor

Moteur de lavage

Illustration Issue Month Year
Schéma Issue Month Year
100586 4 8 1993

Item Article	Qua Qua	Art.No Réf. article	Description	Description	Info Info	Notes Remarques
1	1	471 9720-03	Motor	Moteur	1	220-240V 3AC 50Hz Complete
	1	471 9720-02	Motor	Moteur	1	208-240V 3AC 60Hz Complete
	1	471 9720-01	Motor	Moteur	1	380-440V 3AC 50Hz Complete
	1	471 9720-04	Motor	Moteur	1	440-480V 3AC 60Hz COMPL
	1	471 9720-05	Motor	Moteur	1	380V 3NAC 60Hz Complete
	1	471 9720-06	Motor	Moteur	1	346V 50Hz 3AC
	1	471 9720-07	Motor	Moteur	1	200V 3AC 50Hz 3AC
	1	471 9720-08	Motor	Moteur	1	200V 3AC 60Hz 3AC
2	1	471 6684-15	•Stator	•Stator	1	
3	1	471 6684-22	•End shield	•Flasque du moteur	1	
	1	471 6684-15	•Stator	•Stator	1	
4	1	471 6684-23	•Shaft	•Arbre	1	
5	1	471 6684-24	•Wedge	•Poulie courroie V	1	
6	2	471 9033-66	•Ball bearing	•Roulement à billes	1	



100587

Issue	Month	Year
02	03	93

EX-80,EX-80 HI-TEK

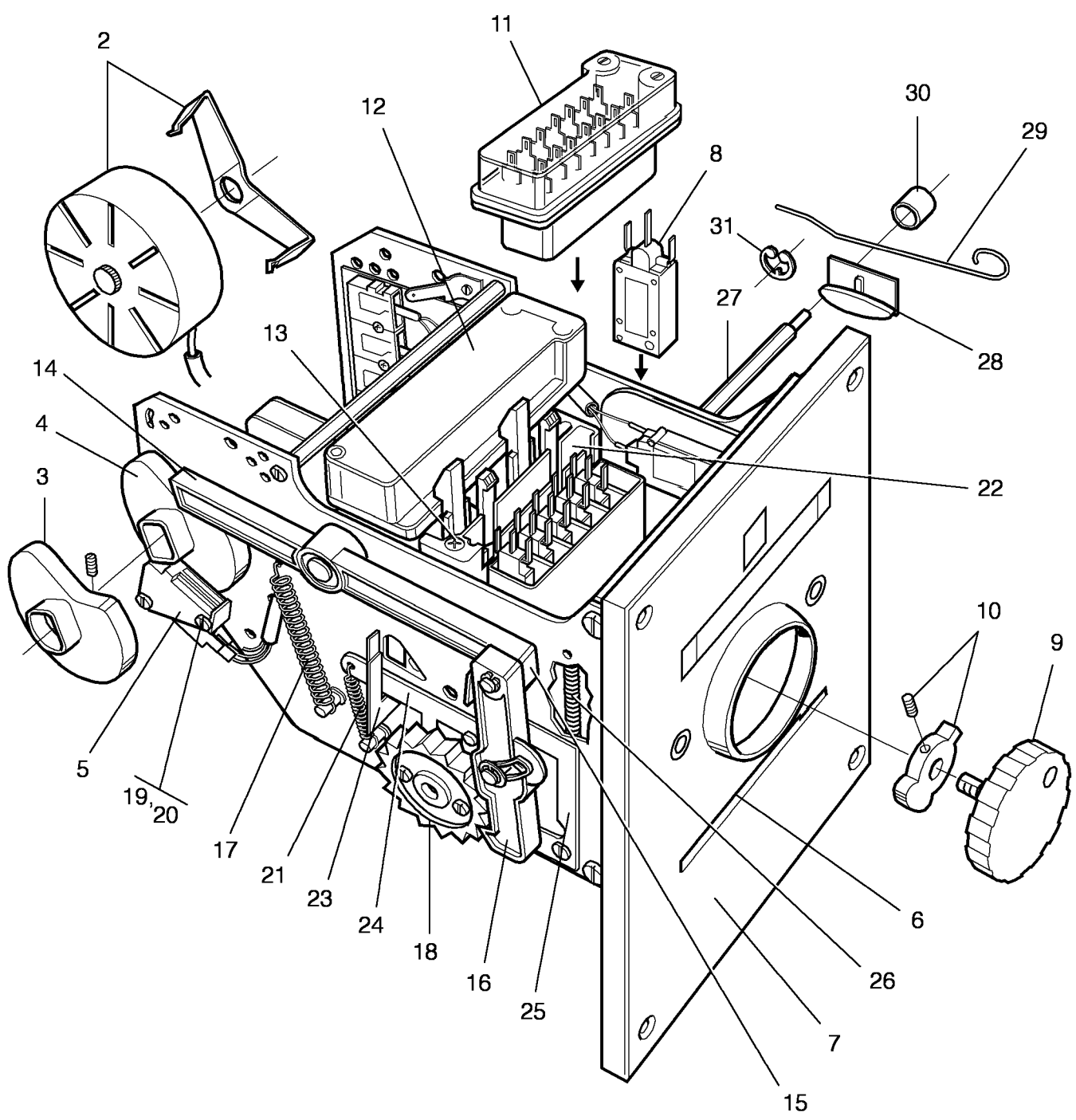
Centrifugal motor with clutch

Connexion avec moteur

Illustration Issue Month Year
Schéma Issue Month Year
100587 3 8 1993

Item Article	Qua Qua	Art.No Réf. article	Description	Description	Info Info	Notes Remarques
1	1	471 9719-03	Motor	Moteur	1	220-240V 3AC 50Hz Complete
	1	471 9719-02	Motor	Moteur	1	208-240V 3AC 60Hz Complete
	1	471 9719-01	Motor	Moteur	1	380-415V 3AC 50Hz Complete
	1	471 9719-04	Motor	Moteur	1	440-480V 3AC 60Hz COMPL
	1	471 9719-05	Motor	Moteur	1	380V 3AC 60Hz Complete
	1	471 9719-08	Motor	Moteur	1	200V 60Hz 3AC
2	1	471 9719-90	•Connection	•Embrayage	1	
3	1	471 9719-91	••Magnet contact	••Contact magnétique	1	
4	1	471 9719-92	••Rotor	••Rotor	1	
5	1	471 9719-93	••Disc	••Disque	1	
6	1	471 6684-20	•Block	•Cale de blocage	1	
7	2	471 9033-68	•Ball bearing	•Roulement à billes	1	
8	1	735 3133-00	•C-clamp	•Presse à main	1	SGA35
9	4	725 5448-01	•Screw	•Vis	1	MC6S 8X14
10	1	471 6684-21	•Wedge	•Poulie courroie V	1	
11	1	471 6694-97	•Sleeve	•Manchon	1	
12	RQ	471 8519-13	•Washer	•Rondelle	1	Ø42/30X0,1
13	1	472 6371-02	•Pulley	•Poulie	1	
14	2	738 2206-17	•Ball bearing	•Roulement à billes	1	
15	1	735 3148-10	•C-clamp	•Presse à main	1	SGH62
16	1	471 6694-98	•Ring	•Anneau	1	
17	4	725 5447-01	•Screw	•Vis	1	MC6S 8X12
18	4	471 6694-99	•Washer	•Rondelle	1	
19	1	471 9211-48	•Lock washer	•Rondelle d'arrêt	1	
20	1	732 5120-30	•Nut	•Écrou	1	
21	1	471 6684-15	•Stator	•Stator	1	
22	1	471 6684-16	•End shield	•Flasque du moteur	1	
23	1	471 6684-17	•End shield	•Flasque du moteur	1	
24	1	471 6684-18	•Shaft	•Arbre	1	
25	1	471 6684-19	•Wedge	•Poulie courroie V	1	
26	1	471 6696-06	•Rectifier	•Redresseur	1	

1



100605

Issue	Month	Year
01	10	88

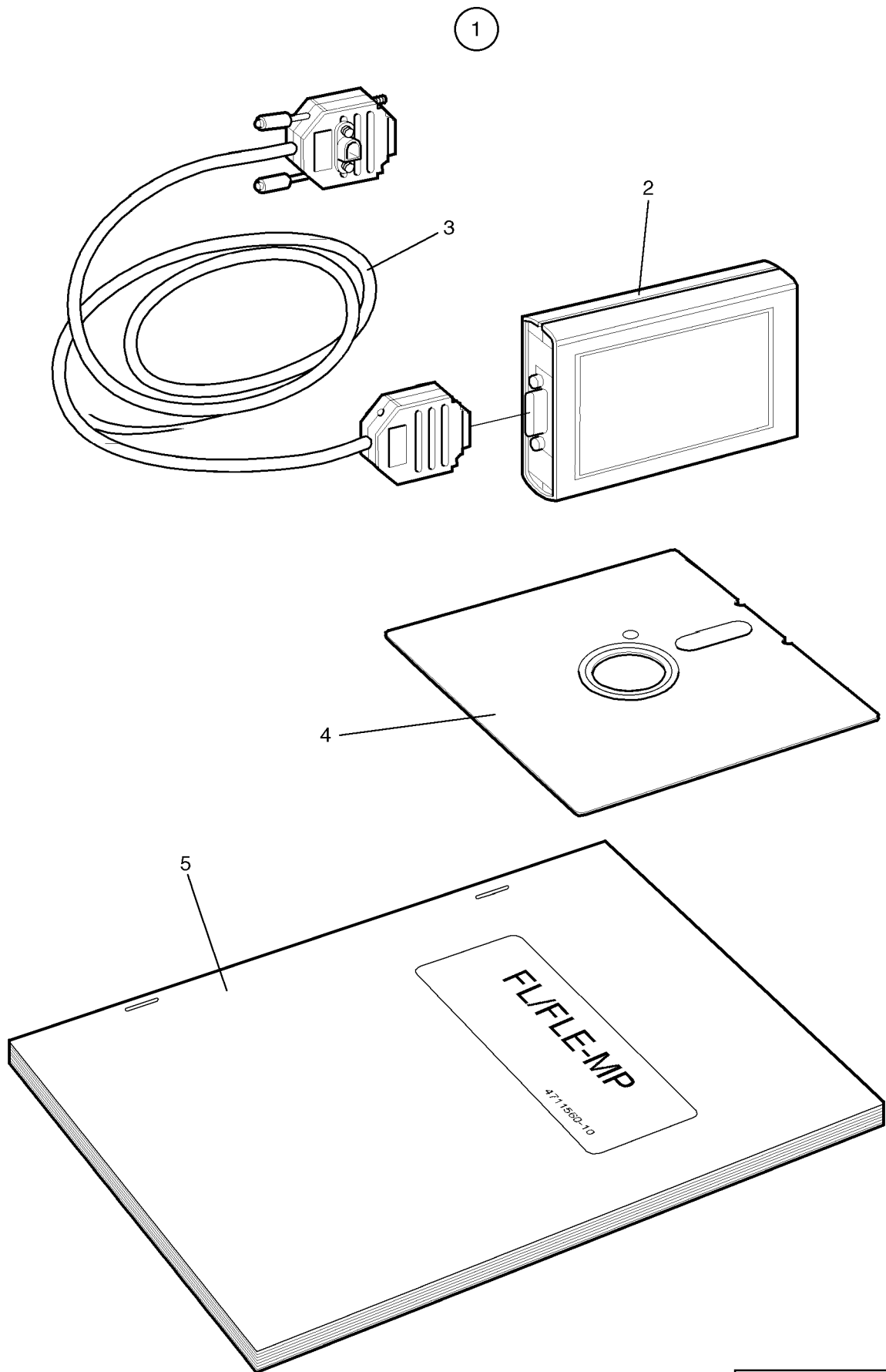
EX-80,EX-80 HI-TEK

Card programmer

Programmateur cartes

Illustration Issue Month Year
Schéma Issue Month Year
100605/3 3 2 2003

Item Article	Qua Qua	Art.No Réf. article	Description	Description	Info Info	Notes Remarques
			12 Track	12 Canaux		
			16 Track	16 Canaux		
1	1	471 9207-07	Card programmer	Programmateur cartes	1,2	50Hz Complete
	1	471 9207-08	Card programmer	Programmateur cartes	1,2	60Hz Complete
2	1	471 6753-60	•Motor	•Moteur	1,2	50Hz With gear
	1	471 6753-61	•Motor	•Moteur	1,2	60Hz With gear
3	1	471 9044-86	•Disc	•Disque	1	60 SEC
4	1	471 9044-83	•Disc	•Disque	1	30 SEC
5	1	471 6527-30	•Microswitch	•Microrupteur	1,2	
6	1	471 9008-30	•Program card	•Carte programme	1,2	80 STEPS
	1	471 9200-78	•Program card	•Carte programme	1,2	120 STEPS
7	1	471 6753-79	•Front panel	•Panneau avant	1	
8	12	471 6527-12	•Microswitch	•Microrupteur	1,2	
9	1	471 6754-63	•Knob	•Bouton	1	
10	1	471 6754-64	•Frame	•Châssis	1	WITH SCREW
11	1	471 6527-10	•Connector	•Connexion	3	FRONT
12	1	471 6527-11	•Connector	•Connexion	3	Rear
13	2	471 9017-12	•Screw	•Vis	3	
14	1	471 6527-24	•Arm	•Bras	1	
15	1	471 6527-22	•Washer	•Rondelle	3	
16	1	471 6527-21	•Arm	•Bras	1	
17	1	471 6527-29	•Spring	•Ressort	1	
18	2	471 6527-26	•Wheel	•Roue	1	
19	2	471 6527-32	•Screw	•Vis	3	
20	2	471 9015-65	•Nut	•Écrou	3	M3
21	1	471 6527-28	•Spring	•Ressort	1	
22	1	471 6901-54	•Cover	•Couvercle	3	
23	1	471 6527-38	•Spring clips	•Brides de ressort	3	
24	1	471 6257-35	•Catch	•Attache	3	Complete
25	1	471 6527-34	•Arm	•Bras	3	
26	1	471 6527-20	•Spring	•Ressort	1	
27	1	471 6654-00	•Roller	•Galet	3	
28	2	471 6653-30	•Bearing cage	•Cage de palier	3	
29	2	471 6653-31	•Spring	•Ressort	1	
30	2	471 6653-32	•Bearing	•Coussinet	3	
31	1	735 3110-21	C-clamp	Presse à main	3	
*	1	471 6666-96	Test card	Carte d'essai	3	NOT SHOWN
*	1	471 8961-02	Pliers	Pince	1	NOT SHOWN
*	RQ	471 6654-10	Pin	Goupille	1	NOT SHOWN



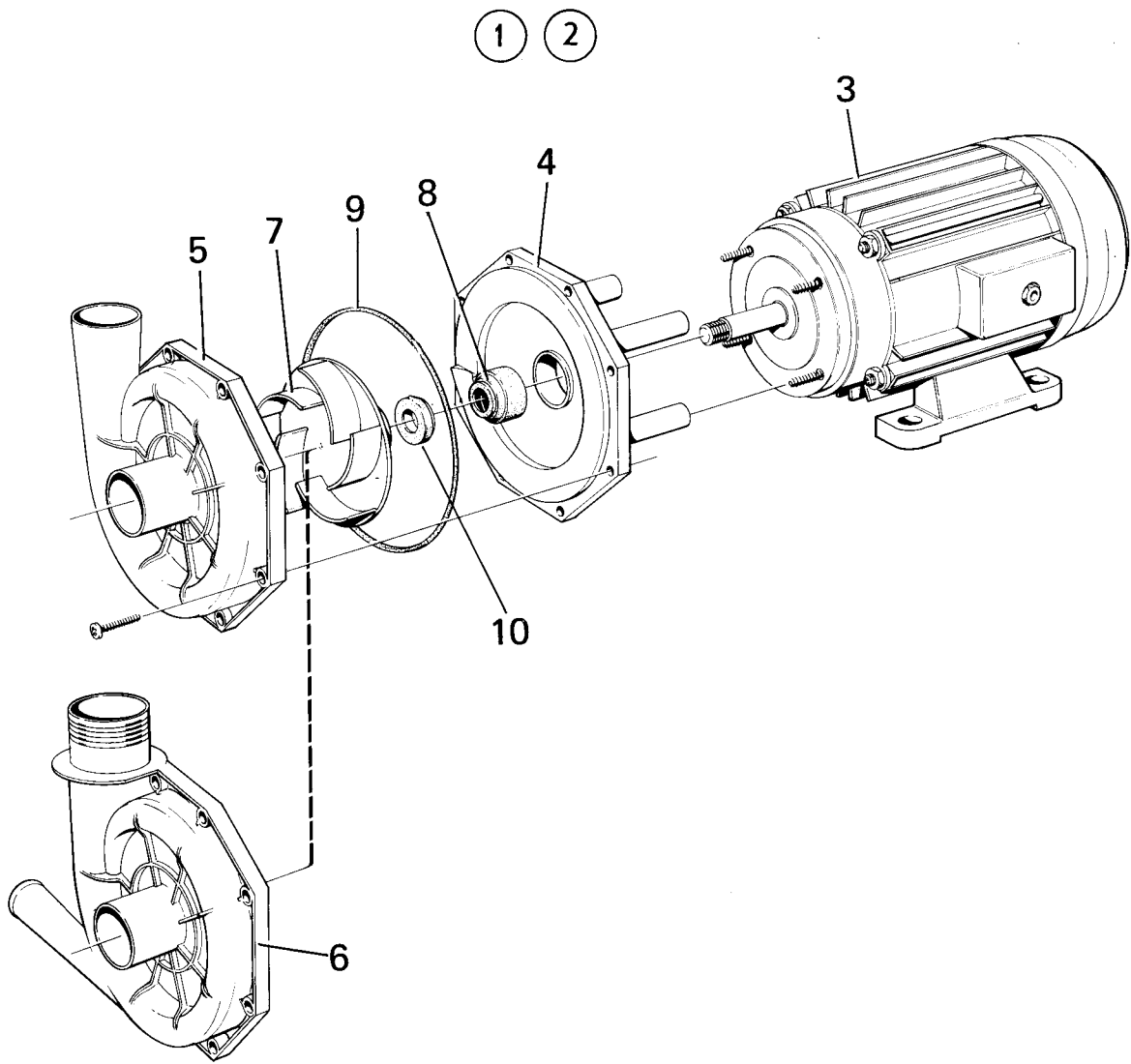
EX-80 HI-TEK

Memory cartridge complete

Cassette de mémoire complet

Illustration Issue Month Year
Schéma Issue Month Year
100826 4 1 1992

Item Article	Qua Qua	Art.No Réf. article	Description	Description	Info Info	Notes Remarques
1	1	472 9900-27	Memory cartridge	Cassette de mémoire	3	Swedish
	1	472 9900-28	Memory cartridge	Cassette de mémoire	3	English
	1	472 9900-29	Memory cartridge	Cassette de mémoire	3	German
	1	472 9900-30	Memory cartridge	Cassette de mémoire	3	French
	1	472 9900-31	Memory cartridge	Cassette de mémoire	3	Norwegian
	1	472 9900-52	Memory cartridge	Cassette de mémoire	3	Danish
	1	472 9900-53	Memory cartridge	Cassette de mémoire	3	Spanish
	1	472 9900-54	Memory cartridge	Cassette de mémoire	3	Finnish
	1	472 9900-76	Memory cartridge	Cassette de mémoire	3	Dutch
	2	1	471 8980-01	•Cassette	•Cassette	3
3	1	471 7468-01	•Cable	•Câble	3	
4	1	471 9533-02	•Diskette	•Disquette	3	
5	1	471 1560-10	•Instruction manual	•Manuel d'utilisation	3	Swedish
	1	471 1560-11	•Instruction manual	•Manuel d'utilisation	3	English
	1	471 1560-12	•Instruction manual	•Manuel d'utilisation	3	German
	1	471 1560-13	•Instruction manual	•Manuel d'utilisation	3	French
	1	471 1560-14	•Instruction manual	•Manuel d'utilisation	3	Spanish
	1	471 1560-15	•Instruction manual	•Manuel d'utilisation	3	Danish
	1	471 1560-16	•Instruction manual	•Manuel d'utilisation	3	Finnish
	1	471 1560-17	•Instruction manual	•Manuel d'utilisation	3	Norwegian
	1	471 1560-18	•Instruction manual	•Manuel d'utilisation	3	Dutch



100611

Issue	Month	Year
02	09	90

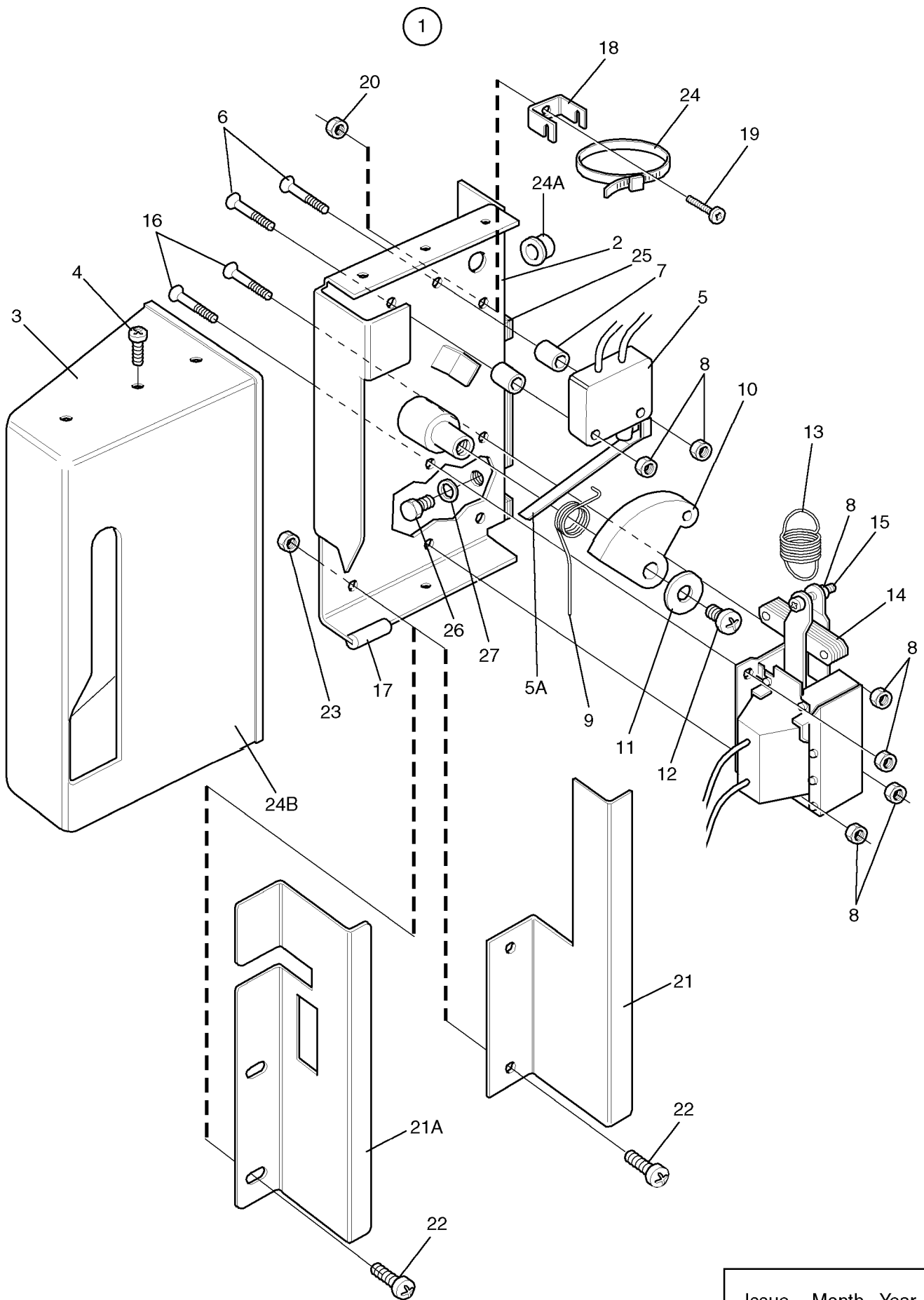
EX-80,EX-80 HI-TEK

Pump

Pompe

Illustration Issue Month Year
Schéma Issue Month Year
100611 3 9 1990

Item Article	Qua Qua	Art.No Réf. article	Description	Description	Info Info	Notes Remarques
1	1	471 9223-03	Pump	Pompe	1,2	380-415V, 50Hz COMPL. 1-OUTLET
3	1	471 9223-50	Pump	Pompe	1,2	60Hz COMPL. 1-OUTLET
	1		•Motor	•Moteur	1,2	380V 50Hz
	1		•Motor	•Moteur	1,2	380V 50Hz
4	1	471 6600-12	•Pump housing	•Boîtier de pompe	1,2	
5	1	471 6600-13	•Pump housing	•Boîtier de pompe	1,2	
7	1	471 6531-32	•Pump wheel	•Roue de la pompe	1,2	
8	1	471 6536-43	•Seal	•Joint	1,2	GASKET
9	1	471 6606-88	•O-ring	•Joint torique	1,2	
10	1	463 9736-08	Ring	Anneau	3	



Issue	Month	Year
02	02	96

EX-80,EX-80 HI-TEK

Door lock

Serrure de porte

Illustration Issue Month Year
Schéma Issue Month Year
100626/2 5 3 1997

Item Article	Qua Qua	Art.No Réf. article	Description	Description	Info Info	Notes Remarques
1	1	472 6328-04	Door locking device	Serrure de porte	3	50/60Hz Complete 87/0746-
2	1	472 6332-00	•Mounting plate	•Plaque de montage	3	
3	1	472 6326-00	•Cover	•Couvercle	1	
4	2	724 1285-42	•Screw	•Vis	3	M4X6
5	1	471 9609-00	•Microswitch	•Microrupteur	1,2	-827135
	1	471 9221-13	•Microswitch	•Microrupteur	1,2	82/136-
5A	1	471 9626-50	•Arm	•Bras	1,2	-87/03240
	1	471 9626-50	•Arm	•Bras	1,2	-87/03240
	1	471 9625-50	•Control Arm	•Bras	1	85/3601-
6	2	724 1234-01	•Screw	•Vis	3	M3X30
7	2	472 6325-00	•Spacer	•Entretoise	3	
8	8	732 2110-01	•Locking nut	•Contre-écrou	3	M3
9	1	471 2461-57	•Torsion spring	•Ressort rotatif	1,2	
10	1	471 2461-55	•Catch	•Dispositif blocage	1	
11	1	734 1808-51	•Washer	•Rondelle	3	NB 5X16
12	1	724 1327-01	•Screw	•Vis	3	M5X12
13	1	471 2461-56	•Tensioner spring	•Ressort tendeur	1,2	
14	1	471 9221-11	•Coil	•Bobine	1,2	50/60Hz
15	2	724 1228-01	•Screw	•Vis	3	M3X16
16	4	724 1222-01	•Screw	•Vis	3	M3X8
17	RQ	471 2075-80	•Rubber strip	•Joint caoutchouc	3	
18	1	471 9004-75	•Bracket	•Support de montage	3	
19	1	724 1289-01	•Screw	•Vis	3	M4X10
20	1	731 2312-01	•Nut	•Écrou	3	M4
21	1	472 7224-01	•Door lock protector	•Dispositif sécurité	3	-96/1568
21A	1	438 4886-02	•Door lock protector	•Dispositif sécurité	3	96/1569-
22	2	724 1323-42	•Screw	•Vis	3	M5X8
23	2	732 2114-92	•Locking nut	•Contre-écrou	3	M5
24	1	762 9105-05	•Cable strap	•Serre-câble	3	
24B	RQ	471 8153-00	•Strip	•Ruban	3	
25	3	472 6327-00	Washer	Rondelle	3	
26	2	725 2451-40	Screw	Vis	3	M8X20
27	2	734 1164-09	Washer	Rondelle	3	BRB 8,4X17

Numerical index/Numerical index

Art.No/Réf. article	Page/Page	Art.No/Réf. article	Page/Page	Art.No/Réf. article	Page/Page	Art.No/Réf. article	Page/Page
438 0456-01	31	471 2440-12	25	471 6527-34	79	471 7701-56	43
438 0457-01	31	471 2440-40	31	471 6527-38	79	471 7701-57	27
438 0458-01	23	471 2441-44	23	471 6531-32	83	471 7802-00	49
438 0458-01	25	471 2441-44	25	471 6536-43	83	471 7830-02	7
438 0459-01	23	471 2442-53	27	471 6600-12	83	471 7830-02	11
438 0459-01	25	471 2442-62	21	471 6600-13	83	471 7858-04	67
438 4100-01	23	471 2461-25	47	471 6606-88	83	471 7859-01	39
438 4100-01	25	471 2461-27	47	471 6653-30	79	471 7859-11	39
438 4101-01	23	471 2461-40	47	471 6653-31	79	471 7961-01	29
438 4101-01	25	471 2461-55	85	471 6653-32	79	471 7963-01	35
438 4816-01	33	471 2461-56	85	471 6654-00	79	471 8110-01	23
438 4817-01	33	471 2461-57	85	471 6654-10	31	471 8110-01	25
438 4832-01	47	471 2461-75	37	471 6654-10*	79	471 8110-01	57
438 4851-01	29	471 2461-75	39	471 6665-75	27	471 8110-03	23
438 4852-01	9	471 2464-17	23	471 6666-96*	79	471 8110-03	25
438 4852-01	13	471 2464-17	25	471 6684-15	75	471 8116-03	51
438 4852-02	9	471 2464-17	65	471 6684-15	77	471 8116-09	65
438 4852-02	13	471 4009-59	19	471 6684-16	77	471 8123-02	15
438 4853-01	9	471 4009-60	27	471 6684-17	77	471 8126-03	21
438 4853-01	13	471 4012-01	65	471 6684-18	77	471 8126-19	21
438 4873-03	9	471 4012-02	65	471 6684-19	77	471 8153-00	85
438 4873-03	13	471 4018-00	65	471 6684-20	77	471 8164-00	51
438 4886-02	85	471 4074-01	37	471 6684-21	77	471 8164-00	61
438 9636-02	31	471 4207-01	53	471 6684-22	75	471 8164-01	51
438 9636-02	37	471 4207-01	59	471 6684-23	75	471 8165-01	27
438 9636-02	53	471 4210-01	51	471 6684-24	75	471 8174-01	51
438 9636-03	31	471 4353-03	35	471 6694-97	77	471 8176-02	7
438 9636-03	37	471 4353-04	35	471 6694-98	77	471 8176-02	11
438 9636-03	53	471 4403-01	19	471 6694-99	77	471 8192-01	29
463 9736-08	83	471 4494-01	27	471 6696-06	77	471 8210-31	15
471 1560-10	81	471 4586-01	35	471 6696-32	69	471 8210-31	17
471 1560-11	81	471 4605-14	47	471 6696-33	69	471 8210-31	55
471 1560-12	81	471 4634-37	43	471 6696-37	69	471 8210-32	15
471 1560-13	81	471 4641-76	65	471 6696-71	69	471 8210-32	17
471 1560-14	81	471 4647-46	21	471 6753-58	23	471 8210-32	55
471 1560-15	81	471 4647-80	53	471 6753-58	25	471 8215-01	23
471 1560-16	81	471 4651-24	29	471 6753-60	79	471 8215-01	25
471 1560-17	81	471 4656-21	67	471 6753-61	79	471 8215-01	57
471 1560-18	81	471 4670-16	67	471 6753-79	79	471 8218-02	21
471 1612-01	65	471 4783-01	35	471 6754-63	79	471 8234-92	69
471 2075-79	27	471 4783-02	35	471 6754-64	79	471 8234-92	71
471 2075-80	85	471 4792-01	69	471 6860-15	71	471 8234-94	69
471 2084-51	25	471 4792-01	71	471 6860-16	71	471 8234-94	71
471 2095-32	31	471 4878-84	35	471 6860-17	71	471 8234-95	69
471 2260-05	65	471 5511-01	47	471 6860-18	71	471 8234-95	71
471 2261-49	65	471 5516-01	47	471 6860-19	71	471 8234-96	69
471 2263-65	25	471 5523-00	47	471 6860-20	71	471 8234-96	71
471 2263-65	29	471 5525-00	47	471 6901-54	79	471 8234-97	69
471 2264-03	31	471 5560-00	7	471 6903-83	73	471 8234-98	69
471 2265-69	31	471 5560-00	11	471 7182-08	33	471 8234-98	71
471 2401-52	31	471 5564-00	7	471 7253-90	53	471 8235-51	71
471 2409-89	23	471 5564-00	11	471 7253-90	59	471 8235-54	71
471 2409-89	25	471 5631-00	47	471 7295-01	9	471 8235-57	71
471 2416-41	27	471 6257-35	79	471 7400-08	27	471 8236-01	15
471 2416-42	27	471 6527-10	79	471 7401-03	27	471 8236-01	17
471 2416-43	27	471 6527-11	79	471 7433-01	29	471 8236-01	19
471 2418-14	47	471 6527-12	79	471 7468-01	81	471 8236-01	67
471 2418-18	23	471 6527-20	79	471 7473-21	35	471 8236-01	69
471 2418-18	25	471 6527-21	79	471 7634-95	7	471 8236-02	69
471 2418-32	53	471 6527-22	79	471 7639-56	11	471 8236-03	69
471 2422-19	31	471 6527-24	79	471 7665-02	9	471 8236-04	69
471 2422-20	31	471 6527-26	79	471 7665-02	13	471 8236-05	69
471 2426-56	53	471 6527-28	79	471 7665-04	9	471 8236-06	69
471 2436-58	31	471 6527-29	79	471 7665-04	13	471 8236-07	15
471 2440-10	31	471 6527-30	79	471 7665-07	9	471 8236-07	17
471 2440-12	23	471 6527-32	79	471 7665-07	13	471 8236-07	19

Numerical index/Numerical index

Art.No/Réf. article	Page/Page	Art.No/Réf. article	Page/Page	Art.No/Réf. article	Page/Page	Art.No/Réf. article	Page/Page
471 8236-07	69	471 8751-52	37	471 9208-14	39	471 9720-03	75
471 8236-08	69	471 8751-72	37	471 9208-98	65	471 9720-04	43
471 8236-09	69	471 8751-73	37	471 9209-24	47	471 9720-04	75
471 8236-12	69	471 8751-74	37	471 9211-48	77	471 9720-05	43
471 8236-13	69	471 8753-10	11	471 9219-15	31	471 9720-05	75
471 8236-14	69	471 8753-52	13	471 9219-16	31	471 9720-06	75
471 8236-15	69	471 8753-61	13	471 9219-38	21	471 9720-07	75
471 8247-01	65	471 8754-01	37	471 9221-11	85	471 9720-08	75
471 8271-02	53	471 8754-02	37	471 9221-13	85	471 9803-10	27
471 8271-02	59	471 8756-01	39	471 9222-59	27	471 9803-11	27
471 8275-01	63	471 8756-51	39	471 9223-03	65	472 5756-01	35
471 8275-50	63	471 8756-52	39	471 9223-03	83	472 5756-02	35
471 8276-02	29	471 8806-02	31	471 9223-50	83	472 6030-01	51
471 8276-10	29	471 8806-61	27	471 9223-72	31	472 6149-04	27
471 8276-12	29	471 8860-10	31	471 9226-66	31	472 6201-00	27
471 8300-09	39	471 8860-11	31	471 9226-66	33	472 6202-04	7
471 8307-00	49	471 8912-02	33	471 9226-67	31	472 6202-04	11
471 8320-10	27	471 8955-01	31	471 9226-68	31	472 6202-12	7
471 8320-11	51	471 8961-01	31	471 9226-97	31	472 6202-12	11
471 8340-23	33	471 8961-02*	79	471 9226-97	37	472 6202-13	7
471 8344-26	31	471 8977-03	35	471 9228-69	65	472 6202-14	7
471 8344-28	59	471 8977-05	35	471 9228-97	47	472 6202-14	11
471 8512-00	27	471 8977-13	35	471 9228-98	47	472 6202-16	7
471 8519-13	77	471 8977-24	35	471 9529-03	35	472 6202-17	7
471 8520-01	7	471 8980-01	81	471 9529-06	37	472 6202-18	7
471 8551-00	27	471 9004-75	29	471 9529-06	39	472 6202-18	11
471 8552-01	61	471 9004-75	85	471 9529-10	35	472 6202-19	7
471 8576-00	49	471 9005-27	67	471 9533-02	81	472 6202-19	11
471 8576-03	53	471 9008-30	79	471 9550-15	35	472 6202-20	11
471 8576-03	59	471 9009-38	65	471 9578-13	45	472 6202-20	67
471 8576-04	53	471 9010-73	65	471 9578-14	45	472 6203-00	27
471 8576-04	59	471 9015-65	79	471 9578-50	45	472 6205-02	43
471 8577-02	51	471 9017-12	79	471 9582-01	63	472 6205-03	43
471 8577-02	59	471 9018-51	65	471 9608-00	41	472 6208-00	47
471 8581-01	61	471 9019-34	45	471 9609-00	85	472 6208-00	59
471 8601-00	63	471 9019-34	65	471 9610-17	31	472 6208-01	61
471 8602-02	29	471 9027-85	39	471 9622-04	33	472 6211-00	47
471 8610-00	23	471 9030-35	21	471 9622-51	33	472 6211-01	61
471 8610-00	25	471 9033-66	75	471 9625-50	85	472 6212-01	27
471 8611-00	23	471 9033-68	77	471 9626-50	85	472 6215-02	27
471 8611-00	25	471 9035-20	35	471 9628-14	9	472 6215-03	27
471 8613-01	23	471 9037-49	35	471 9628-14	13	472 6215-04	27
471 8613-01	25	471 9041-80	73	471 9628-99	9	472 6218-00	27
471 8613-02	23	471 9043-04	63	471 9628-99	13	472 6218-01	27
471 8613-02	25	471 9043-21	7	471 9651-50	31	472 6218-02	27
471 8614-00	15	471 9043-21	11	471 9653-03	35	472 6221-01	45
471 8623-01	67	471 9044-83	79	471 9719-01	77	472 6223-01	43
471 8641-01	7	471 9044-86	79	471 9719-02	77	472 6226-00	7
471 8641-01	11	471 9056-91	31	471 9719-03	77	472 6226-00	11
471 8648-01	27	471 9056-92	31	471 9719-04	77	472 6230-02	47
471 8653-04	39	471 9062-05	73	471 9719-05	77	472 6231-00	49
471 8656-02	23	471 9062-93	63	471 9719-08	77	472 6232-00	49
471 8656-02	25	471 9062-94	63	471 9719-51	43	472 6233-00	49
471 8657-05	17	471 9073-59	27	471 9719-52	43	472 6234-00	7
471 8657-06	55	471 9200-78	79	471 9719-53	43	472 6234-00	11
471 8688-13	29	471 9202-32	53	471 9719-54	43	472 6234-00	49
471 8690-22	53	471 9202-33	53	471 9719-55	43	472 6236-00	7
471 8690-22	59	471 9203-62	11	471 9719-90	77	472 6236-00	11
471 8702-00	37	471 9204-93	7	471 9719-91	77	472 6243-00	27
471 8721-01	53	471 9204-93	11	471 9719-92	77	472 6253-00	7
471 8721-01	59	471 9207-07	79	471 9719-93	77	472 6253-00	11
471 8733-10	35	471 9207-08	79	471 9720-01	43	472 6253-00	43
471 8751-25	37	471 9207-72	65	471 9720-01	75	472 6255-00	7
471 8751-26	37	471 9208-13	37	471 9720-02	43	472 6255-00	11
471 8751-49	37	471 9208-13	39	471 9720-02	75	472 6256-00	49
471 8751-50	37	471 9208-14	37	471 9720-03	43	472 6258-00	23

Numerical index/Numerical index

Art.No/Réf. article	Page/Page	Art.No/Réf. article	Page/Page	Art.No/Réf. article	Page/Page	Art.No/Réf. article	Page/Page
472 6258-00	25	472 6812-01	53	472 7282-01	53	472 9900-31	81
472 6259-00	23	472 6812-01	59	472 7282-01	59	472 9900-52	81
472 6259-00	25	472 6814-01	53	472 7283-01	53	472 9900-53	81
472 6260-00	27	472 6814-01	59	472 7283-01	59	472 9900-54	81
472 6261-01	27	472 6818-01	53	472 7285-01	53	472 9900-76	81
472 6262-00	27	472 6818-01	59	472 7285-01	59	472 9902-77	37
472 6264-01	43	472 6852-03	53	472 7286-01	53	472 9902-78	37
472 6265-01	43	472 6852-03	59	472 7286-01	59	472 9913-22	29
472 6266-00	7	472 6855-01	53	472 7287-01	11	720 1307-06	51
472 6266-00	11	472 6855-01	59	472 7288-01	37	723 5323-42	19
472 6268-03	19	472 7200-01	41	472 7289-01	35	723 5368-42	53
472 6273-01	27	472 7201-01	7	472 7290-01	11	723 5368-42	59
472 6274-00	27	472 7201-01	13	472 7291-01	11	724 1222-01	85
472 6276-01	27	472 7201-02	45	472 7292-01	11	724 1224-01	35
472 6277-10	27	472 7202-01	23	472 7293-01	37	724 1226-01	41
472 6277-11	27	472 7202-01	25	472 7293-02	37	724 1228-01	85
472 6278-01	27	472 7203-01	23	472 7293-03	37	724 1234-01	41
472 6285-00	23	472 7203-01	25	472 7293-04	37	724 1234-01	85
472 6285-00	25	472 7206-01	23	472 7294-01	17	724 1285-42	85
472 6292-00	39	472 7206-01	25	472 7295-01	13	724 1289-01	15
472 6296-01	47	472 7224-01	85	472 7296-01	17	724 1289-01	17
472 6300-30	31	472 7238-01	7	472 7296-02	17	724 1289-01	29
472 6300-31	31	472 7238-01	31	472 7944-01	53	724 1289-01	35
472 6300-32	31	472 7238-02	7	472 7995-01	61	724 1289-01	53
472 6300-33	31	472 7238-03	11	472 7995-02	61	724 1289-01	85
472 6305-00	43	472 7238-04	11	472 9056-01	61	724 1289-42	61
472 6306-02	31	472 7239-01	7	472 9060-01	45	724 1293-01	45
472 6306-52	31	472 7239-01	31	472 9062-01	61	724 1293-42	19
472 6325-00	85	472 7240-01	7	472 9066-01	53	724 1293-42	35
472 6326-00	85	472 7240-01	11	472 9084-01	57	724 1323-42	85
472 6327-00	85	472 7240-02	7	472 9087-01	25	724 1327-01	63
472 6328-04	85	472 7240-02	11	472 9088-01	57	724 1327-01	85
472 6332-00	85	472 7241-01	7	472 9089-01	13	724 1327-42	51
472 6345-01	51	472 7241-01	11	472 9091-01	25	724 1335-01	51
472 6346-01	51	472 7241-02	7	472 9353-01	61	724 1366-01	39
472 6347-01	51	472 7241-02	11	472 9353-02	61	724 3289-01	7
472 6348-01	51	472 7242-01	7	472 9354-01	61	724 3289-01	11
472 6353-01	43	472 7242-01	11	472 9355-01	61	725 2327-42	51
472 6356-01	43	472 7242-02	61	472 9361-01	59	725 2366-42	59
472 6356-01	45	472 7245-01	31	472 9365-01	61	725 2368-51	11
472 6358-01	43	472 7247-01	7	472 9366-01	59	725 2368-51	15
472 6359-01	43	472 7248-01	41	472 9367-01	59	725 2368-51	19
472 6359-01	45	472 7250-01	23	472 9368-01	61	725 2368-51	21
472 6362-01	51	472 7250-01	25	472 9370-01	61	725 2368-51	23
472 6363-03	51	472 7251-01	23	472 9370-02	61	725 2368-51	25
472 6367-01	41	472 7251-01	25	472 9370-03	61	725 2368-51	53
472 6371-02	43	472 7256-01	7	472 9371-01	59	725 2370-42	53
472 6371-02	77	472 7256-01	11	472 9371-02	59	725 2370-42	59
472 6372-01	27	472 7256-01	51	472 9372-01	59	725 2370-51	45
472 6373-01	23	472 7260-01	51	472 9372-02	59	725 2372-51	65
472 6373-01	25	472 7261-01	19	472 9373-01	59	725 2374-51	11
472 6374-01	51	472 7264-01	7	472 9375-01	59	725 2390-51	41
472 6378-04	23	472 7264-01	11	472 9380-01	63	725 2447-42	61
472 6378-10	23	472 7265-01	7	472 9383-01	35	725 2449-42	7
472 6378-12	25	472 7265-01	31	472 9384-01	61	725 2449-51	7
472 6380-01	27	472 7266-01	39	472 9386-01	61	725 2449-51	11
472 6380-02	27	472 7266-02	39	472 9387-01	61	725 2449-51	15
472 6382-01	43	472 7266-03	39	472 9388-02	59	725 2449-51	17
472 6384-08	19	472 7266-07	39	472 9389-01	61	725 2449-51	23
472 6384-10	15	472 7267-01	39	472 9391-01	37	725 2449-51	25
472 6393-01	51	472 7269-01	15	472 9394-01	59	725 2449-51	57
472 6393-02	51	472 7271-01	7	472 9396-01	29	725 2451-40	85
472 6396-01	51	472 7271-01	11	472 9900-27	81	725 2451-42	27
472 6397-01	51	472 7271-02	7	472 9900-28	81	725 2451-51	65
472 6810-01	53	472 7271-02	11	472 9900-29	81	725 2455-51	23
472 6810-01	59	472 7278-01	61	472 9900-30	81	725 2455-51	25

Numerical index/Numerical index

Art.No/Réf. article	Page/Page	Art.No/Réf. article	Page/Page	Art.No/Réf. article	Page/Page	Art.No/Réf. article	Page/Page
725 2455-51*	43	732 2110-01	41	734 1173-01	11	762 7117-10	39
725 2455-51	45	732 2110-01	85	734 1178-01	7	762 7121-80	37
725 2455-61	7	732 2112-01	7	734 1178-01	13	762 7137-90	37
725 2455-61	11	732 2112-01	11	734 1178-01	27	762 9102-05	29
725 2459-51*	43	732 2112-01	35	734 1178-01	41	762 9105-05	53
725 2475-71	43	732 2112-01	45	734 1178-01	43	762 9105-05	85
725 2475-71	45	732 2114-92	85	734 1178-01	45	767 5101-20	31
725 2488-42	61	732 2116-01	15	734 1178-01	49	767 5101-92	31
725 2507-51	7	732 2116-01	19	734 1178-09	51	767 5101-92	37
725 2507-51	11	732 2116-01	21	734 1808-51	85	767 5102-20	31
725 2534-51	41	732 2116-01	23	735 2136-01	29	767 5103-18	31
725 2534-51	43	732 2116-01	25	735 2164-51	35	767 5103-18	37
725 2534-51	45	732 2116-01	39	735 3110-21	79	767 5104-18	31
725 2536-42	47	732 2116-01	41	735 3133-00	77	767 5104-18	37
725 2538-51	27	732 2116-01	45	735 3138-10	43	767 5131-00	31
725 2540-51	27	732 2116-01	65	735 3138-11	43	767 5132-00	31
725 2540-51	45	732 2118-01	27	735 3148-10	77	767 5141-10	37
725 2544-51	43	732 2118-01	65	735 3177-10	27	767 5142-10	37
725 2548-51	49	732 2118-21	61	735 5852-00	51	767 5151-00	31
725 2548-51	53	732 2120-01	7	736 2816-51	23	767 5152-00	31
725 2548-51	59	732 2120-01	11	736 2816-51	25	873 2201-00	37
725 2552-51	43	732 2120-01	47	736 2816-51	51	877 5211-08	29
725 2558-51	53	732 2120-42	61	736 2816-51	67	877 5211-08	67
725 2558-51	59	732 2122-01	7	736 2834-51	15	877 5361-02	29
725 2636-51	53	732 2122-01	13	736 2834-51	19	877 5361-02	63
725 2636-51	59	732 2122-01	43	736 2837-51	65	988 8015-03	9
725 5340-01	51	732 2122-01	45	736 2840-51	23	988 8015-03	13
725 5366-42	61	732 2122-01	49	736 2840-51	25		
725 5447-01	77	732 2122-01	53	736 2840-51	31		
725 5448-01	77	732 2122-01	59	736 2849-51	23		
725 5449-01	13	732 2124-01	53	736 2849-51	25		
725 5463-42	61	732 2124-01	59	736 2849-51	57		
727 1376-42	61	732 3116-14	47	736 2855-51	23		
728 7362-40	61	732 5120-30	77	736 2855-51	25		
728 8445-01	43	733 6117-01	7	738 2104-03	43		
728 8445-01	47	733 6117-01	11	738 2206-17	77		
729 5221-01	31	733 6117-01	13	740 4209-00	29		
729 5279-01	31	733 6117-01	57	740 4805-03	27		
729 5340-42	7	734 1124-01	41	740 6832-21	27		
729 5340-42	11	734 1136-01	15	740 6839-21	27		
729 5340-42	41	734 1136-01	17	740 6842-21	27		
729 5342-01	11	734 1136-01	45	741 3117-32	15		
729 5342-01	31	734 1146-09	7	741 3117-32	17		
729 5342-01	37	734 1146-09	11	741 3117-32	55		
729 5342-01	39	734 1153-01	41	741 3833-24	17		
731 2116-42	61	734 1153-01	45	741 3833-24	55		
731 2310-01	35	734 1153-01	65	741 4102-20	63		
731 2312-01	85	734 1153-09	47	741 4114-20	65		
731 2314-01	31	734 1153-09	51	741 5109-24	63		
731 2314-01	51	734 1153-49	61	741 5217-25	17		
731 2314-01	63	734 1153-60	61	742 1117-20	15		
731 2316-01	11	734 1164-01	7	744 3115-06	21		
731 2316-01	41	734 1164-01	11	744 3117-06	15		
731 2316-01	53	734 1164-01	13	744 3117-06	17		
731 2316-01	59	734 1164-01	15	744 3117-06	55		
731 2316-42	47	734 1164-01	17	744 3118-06	19		
731 2318-01	15	734 1164-01	23	762 1182-10	31		
731 2318-01	17	734 1164-01	25	762 1209-10	37		
731 2318-01	23	734 1164-01	27	762 1209-10	39		
731 2318-01	25	734 1164-01	45	762 2111-05	53		
731 2318-01	29	734 1164-01	57	762 2111-05	59		
731 2318-01	43	734 1164-09	27	762 3211-01	31		
731 2318-01	45	734 1164-09	29	762 7102-05	37		
731 2318-01	49	734 1164-09	85	762 7110-80	37		
731 2318-01	57	734 1164-49	61	762 7110-80	39		
731 2322-01	49	734 1173-01	7	762 7117-10	37		

Numerical index/Numerical index

Art.No/Réf. article Page/Page Art.No/Réf. article Page/Page Art.No/Réf. article Page/Page Art.No/Réf. article Page/Page

--	--	--	--

WASCOMAT

461 Doughty Blvd., Inwood, L.I., N.Y. 11096-0338

Telephone: 516-371-4400

Parts and Service FAX: 516-371-4029

Sales and Administration FAX: 516-371-4204