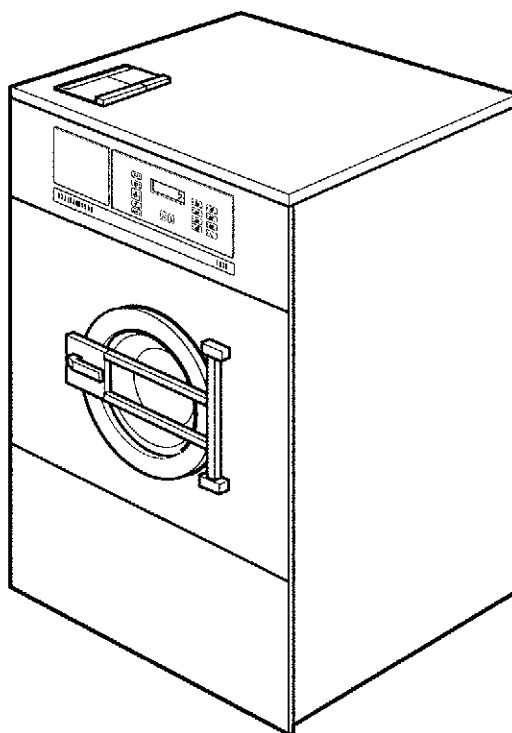


**WASCOMAT**

Spare Parts Catalogue

Catalogue de pièces de rechange

---



EXSM 350S, EXSM 350C

---



## List of issues

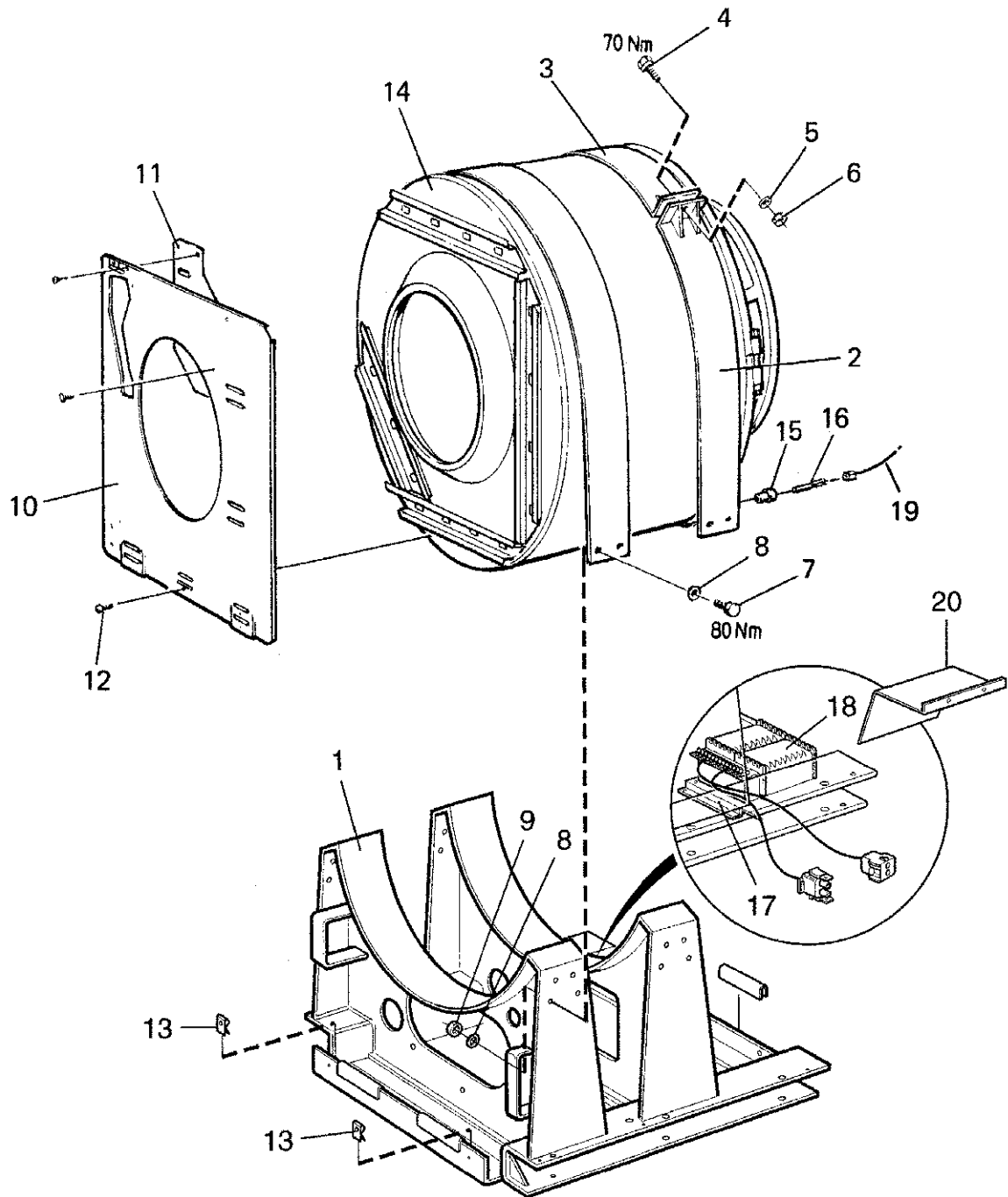
### **EXSM 350C,EXSM 350S**

Illustration	Page	Table of contents
100568	51	Inlet valve 1/2", 3/4", 1", 1 1/4", 2"
100634	53	Detergent container
100797	49	Inlet valve 3/4", 3-way
101625	27	Motor control
101634	23	Control unit
101635	25	Control unit
101686	43	Door locking system
101687	45	Door locking device
101691	41	Electric components
101692	15	Motor and motor suspension
101694	21	Control panel
101696	33	Water connections
101696	37	Water connections
101698	39	Electric components
101699	7	Base and outer drum
101700	9	Lining and top panel
101701	11	Back plate with inner drum, bearing, pulley
101702	13	Door and hinged joint
101703	29	Drain valve and hoses
101967	31	Water connections
101967	35	Water connections
102189	17	Motor and motor suspension
102190	19	Control panel
102191	47	Steam components



## EXSM 350C, EXSM 350S

Table of contents	Table des matières	Page/Page
Base and outer drum	Base et tambour externe	7
Lining and top panel	Panneau frontal avec pupitre de commande	9
Back plate with inner drum, bearing, pulley	Pignon arrière avec tambour intérieur, palier, poulie	11
Door and hinged joint	Assemblage articulé et plaque	13
Motor and motor suspension	Purgeur et flexible	15
Motor and motor suspension	Purgeur et flexible	17
Control panel	Pupitre de commande	19
Control panel	Pupitre de commande	21
Control unit	Unité de contrôle	23
Control unit	Unité de contrôle	25
Motor control	Contrôle du moteur	27
Drain valve and hoses	Purgeur et flexible	29
Water connections	Raccords d'eau	31
Water connections	Raccords d'eau	33
Water connections	Raccords d'eau	35
Water connections	Raccords d'eau	37
Electric components	Composants électriques	39
Electric components	Composants électriques	41
Door locking system	Serrure de porte	43
Door locking device	Serrure de porte	45
Steam components	Composants	47
Inlet valve 3/4", 3-way	Soupape de admission 3/4", 3 voies	49
Inlet valve 1/2", 3/4", 1", 1 1/4", 2"	Soupape de admission 1/2", 3/4", 1", 1 1/4", 2"	51
Detergent container	Compartiment à savon	53



101699

Issue	Month	Year
05	11	02

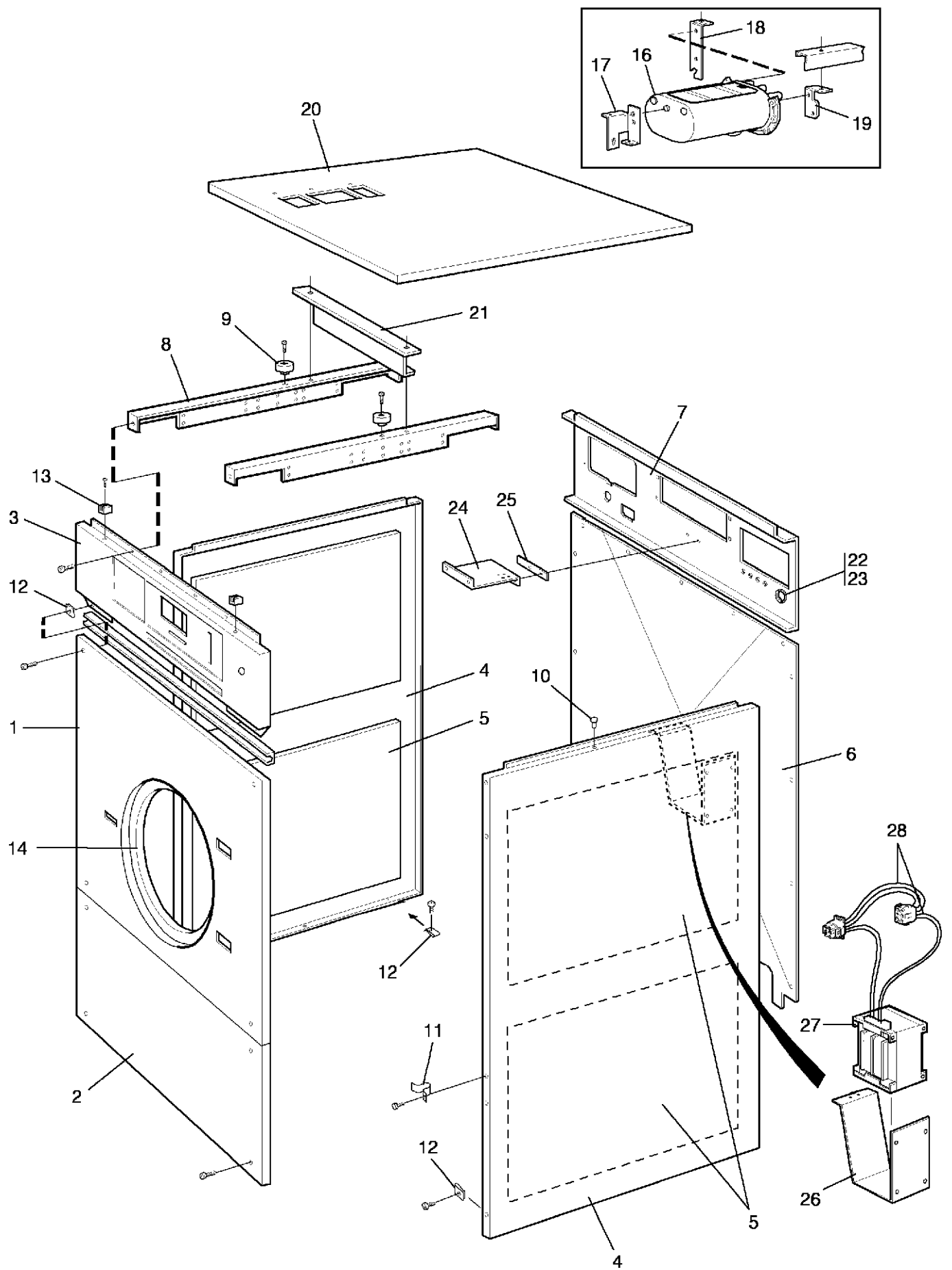
**EXSM 350C,EXSM 350S**

**Base and outer drum**

**Base et tambour externe**

Illustration Issue Month Year  
Schéma Issue Month Year  
**101699/4 5 2 2003**

Item Article	Quantity Quantité	Art.No Réf. article	Description	Description	Info Info	Notes Remarques
			EXSM 350S			
			EXSM 350C			
1	1	1	432 1040-02	Frame	3	
2	2	2	438 0628-01	Stretching device	3	Short
3	2	2	438 0630-01	Stretching device	3	Long
4	2	2	725 2632-51	Screw	3	M16X60
5	2	2	734 1186-01	Washer	3	BRB 17X30
6	2	2	732 2124-01	Locking nut	3	M16
7	8	8	725 2536-51	Screw	3	M12X30
8	16	16	734 1178-01	Washer	3	BRB 13X24
9	8	8	732 2122-01	Locking nut	3	M12
10	1	1	432 1021-01	End piece	3	
11	1	1	432 0929-01	Plate	3	
12	15	15	471 8341-46	Screw	3	M6X16
13	15	15	471 7864-01	Clip	3	M6
14	1	1	438 0658-01	Outer drum	3	
15	1	1	472 9913-22	Sensor	1,2	Complete
16	1	1	471 8192-01	•Bushing	1,2	
17	1	1	432 0647-02	Mounting plate	3	
18	1	1	438 9550-51	Transformer	1	346,380,440,480V T2
19	1	1	432 0549-25	Cable set	3	
		1	432 0549-65	Cable set	3	
20	1	1	432 0648-01	Drip guard	3	



101700

Issue	Month	Year
02	06	00



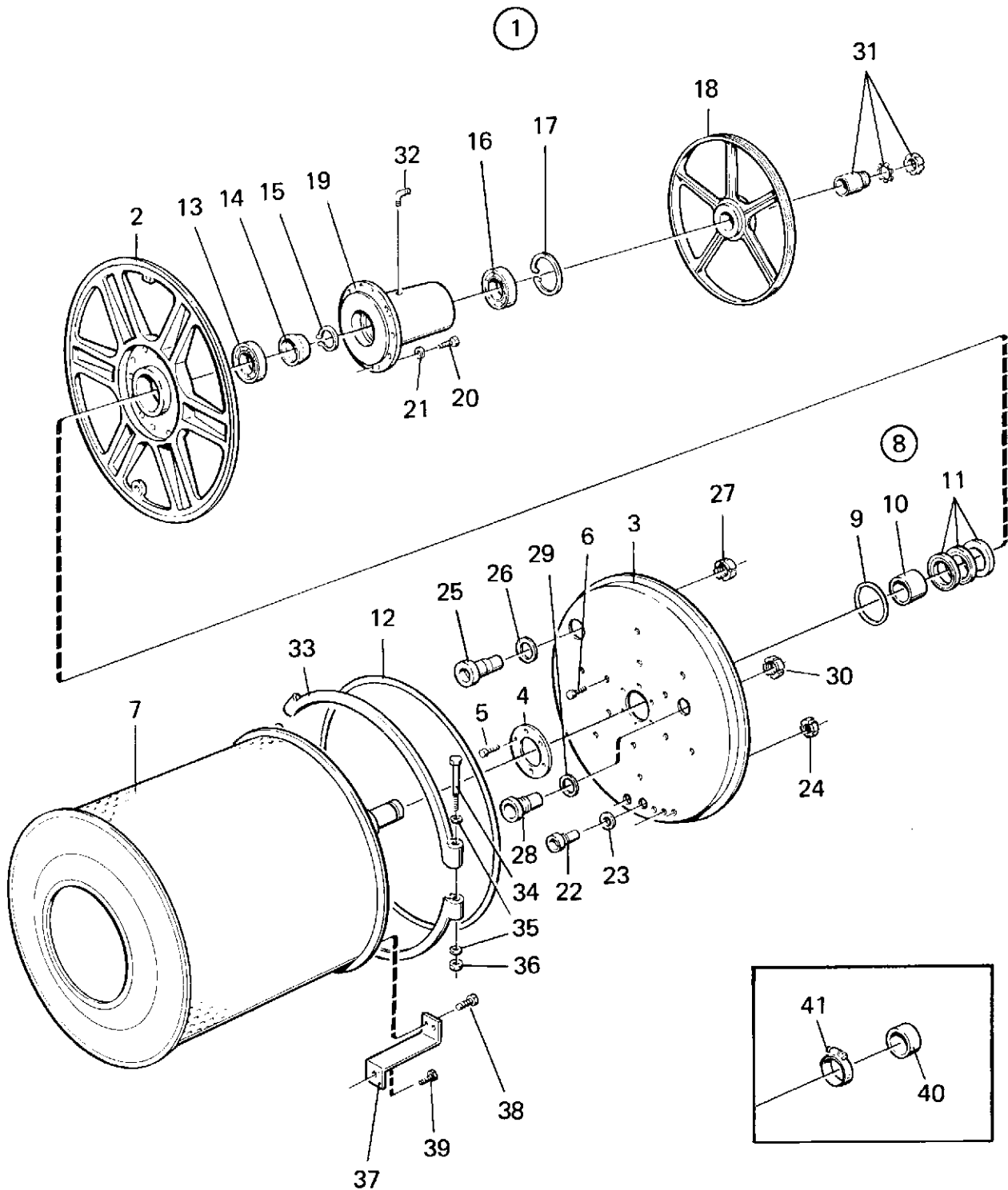
**EXSM 350C,EXSM 350S**

**Lining and top panel**

**Panneau frontal avec pupitre de commande**

Illustration Issue Month Year  
Schéma Issue Month Year  
**101700/2 4 9 2002**

Item Article	Quantity Quantité	Art.No Réf. article	Description	Description	Info Info	Notes Remarques
			EXSM 350S			
			EXSM 350C			
1	1	438 0644-01	Front panel	Panneau avant	1	Stainless
		438 0644-03	Front panel	Panneau avant	1	Aqua clean
2	1	438 0645-01	Front panel	Panneau avant	1	Stainless
3	1	432 1019-01	Front panel	Panneau avant	3	
		432 1020-01	Front panel	Panneau avant	3	
		432 1019-02	Front panel	Panneau avant	1	Emerald
4	2	432 1017-01	Side panel	Panneau latéral	3	White
		432 1017-02	Side panel	Panneau latéral	3	Stainless steel
		432 1017-03	Side panel	Panneau latéral	3	Grey
5						Not used
6	1	438 0641-01	Rear plate	Panneau arrière	3	HW
		438 0649-01	Rear plate	Panneau arrière	3	DS
7	1	432 1018-01	Brace bracket	Support de montant	3	
8	2	432 1015-01	Brace	Montant	3	
9	2	471 8149-11	Rubber buffer	Anneau caoutchouc	3	
10	10	471 8641-01	Plug	Fiche	3	
11	2	471 2441-06	Bracket	Pièce de retenue	3	
12	14	471 7864-01	Clip	Colliers de serrage	3	M6
13	2	438 5335-01	Guide	Guide	3	
14	1	471 8158-03	Strip	Ruban	1	
15						NOT USED
16	1		Detergent container	Compartiment à savon	1,2	See group 8802
17	1	432 0630-01	Support	Support	3	
18	1	438 5326-01	Bracket	Support de montage	3	Left
19	1	438 0151-01	Bracket	Support de montage	3	Right
20	1	432 1016-01	Top panel	Couvercle	1	
		432 1016-02	Top panel	Couvercle	1	With coin meter
21	1	432 0933-01	Brace	Montant	3	
22	1	762 1209-10	Grommet	Oeillet	3	
23	1	762 1191-10	Grommet	Oeillet	3	
24	1	438 0676-01	Plate	Tableau	3	
25	2	471 2413-21	Washer	Rondelle	3	
26	1	432 1127-02	Mounting plate	Plaque de montage	3	
27	1	471 9550-14	Transformer	Transformateur	1	200V T1
		471 9550-19	Transformer	Transformateur	1	346,380,440,480V
28	1	432 0550-04	Cable set	Jeu de câbles	3	



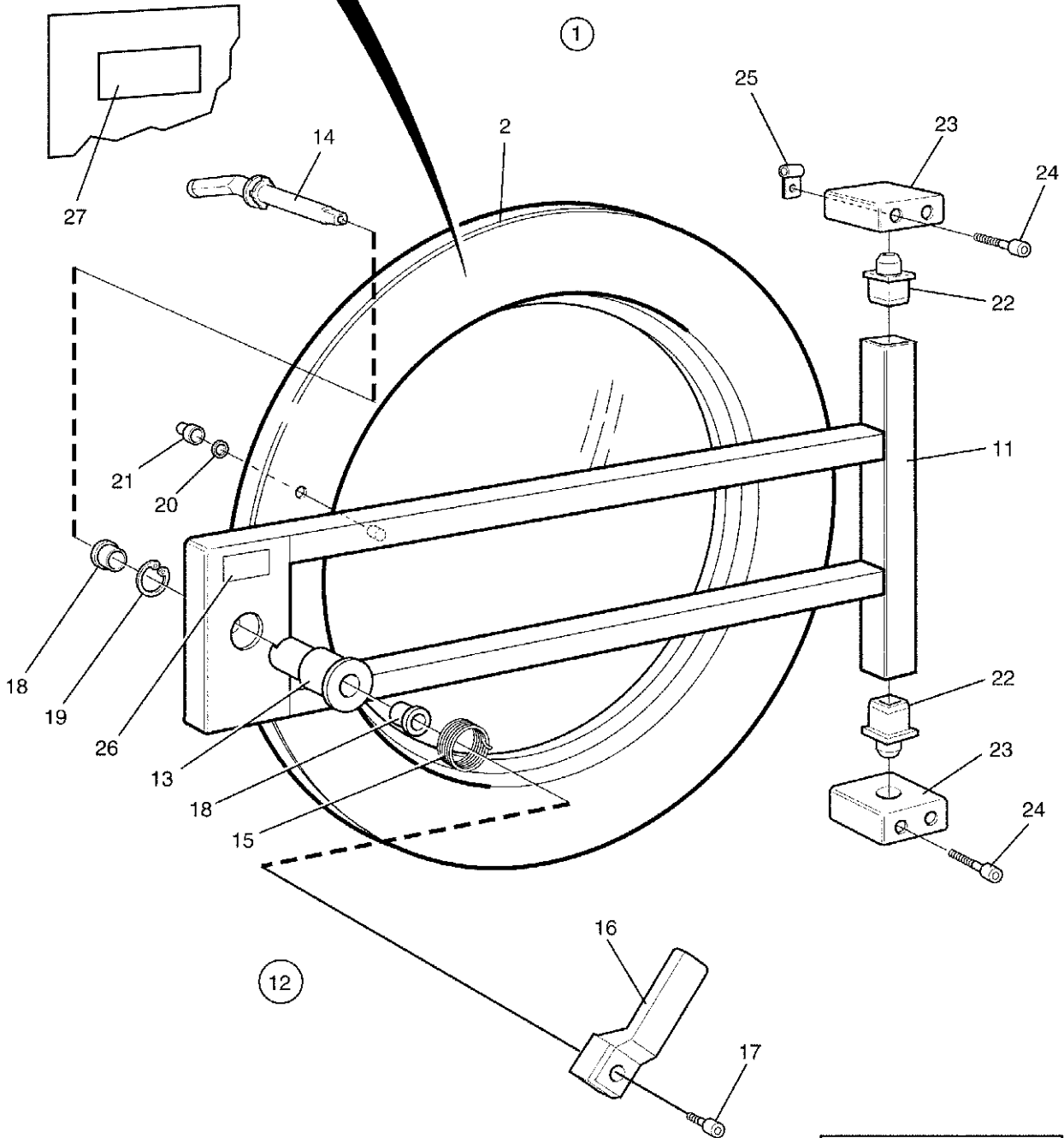
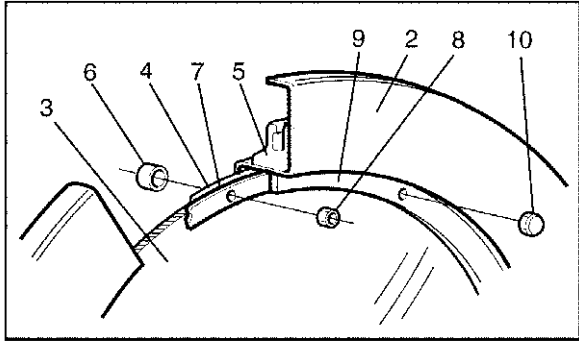
**EXSM 350C,EXSM 350S**

**Back plate with inner drum, bearing, pulley**

Illustration Issue Month Year  
Schéma Issue Month Year  
**101701/1 4 9 2002**

**Pignon arrière avec tambour intérieur, palier, poulie**

Item Article	Qua. Qua.	Art.No Réf. article	Description	Description	Info Info	Notes Remarques
1	1	472 9911-10	Back plate	Pignon arrière	1	HW Complete
	1	472 9911-11	Back plate	Pignon arrière	1	DS Complete
2	1	438 4520-03	•Back plate	•Pignon arrière	3	
3	1	438 0670-21	•Plate	•Plaque	3	HW
	1	438 0670-22	•Plate	•Cloison	3	DS
4	1	438 0664-10	•Ring	•Anneau	3	
5	12	471 8320-05	•Screw	•Vis	3	M6X20
6	12	471 8320-05	•Screw	•Vis	3	M6X20
7	1	438 0654-01	•Inner drum	•Intérieur du tambour	1	
8	1	472 9902-46	•Bearing renovation kit	•Kit de reconditionnement	1,2	
9	1		••O-ring	••Joint torique		
10	1		••Bushing	••Douille		
11	3		••Sealing ring	••Bague d'étanchéité		
12	1		••Strip	••Ruban		
13	1		••Bearing	••Coussinet		
14	1		••Ring	••Anneau		
15	1		••C-clamp	••Presse à main		
16	1		••Bearing	••Coussinet		
17	1	735 3173-10	•C-clamp	•Presse à main	3	SGH130
18	1	438 4521-20	•Pulley	•Poulie	1	
19	1	472 6529-11	•Bearing housing	•Logement de palier	3	
20	16	725 2540-51	•Screw	•Vis	3	M12X40
21	16	734 1178-01	•Washer	•Rondelle	3	BRB 13X24
22	1	438 0456-01	•Nipple	•Raccord	1	
23	1	471 2440-10	•Gasket	•Joint	1	
24	1	438 0457-01	•Nut	•Écrou	1	
25	1	438 0458-01	•Nipple	•Raccord	1	
26	1	471 2440-12	•Gasket	•Joint	1	
27	1	438 0459-01	•Nut	•Écrou	1	
28	1	438 4101-01	•Nipple	•Raccord	1	
29	1	471 2441-44	•Gasket	•Joint	1	
30	1	438 4100-01	•Nut	•Écrou	1	
31	1	471 8551-03	•Sleeve	•Manchon	3	
32	1	471 8628-51	•Angle	•Coude	3	
33	3	472 6149-06	•Tension strap	•Extenseur	3	
34	3	471 9222-59	•Screw	•Vis	3	M8X140
35	6	734 1164-01	•Washer	•Rondelle	3	8,4X17
36	3	732 2118-01	•Locking nut	•Contre-écrou	3	M8
37	1	438 0672-01	Bracket	Pièce de retenue	3	
38	2	471 8341-46	Screw	Vis	3	M6X16
39	2	725 2366-61	Screw	Vis	3	M6SF 6X12
40	1	471 2416-83	Hood	Capot	3	
41	1	736 2825-51	Hose clamp	Attache flexible	3	Ø32



Issue	Month	Year
01	03	99

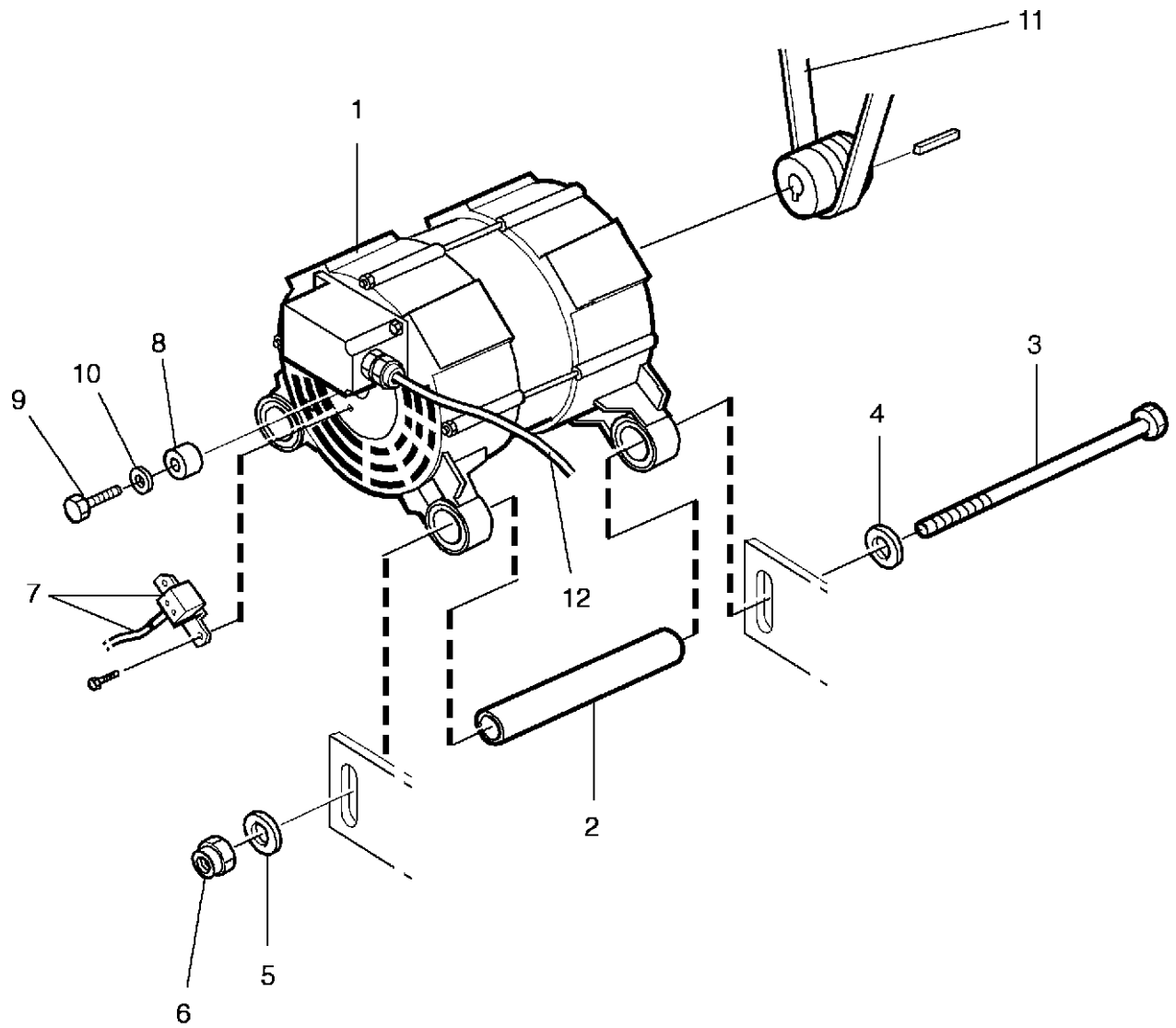
**EXSM 350C,EXSM 350S**

**Door and hinged joint**

**Assemblage articulé et plaque**

Illustration Issue Month Year  
Schéma Issue Month Year  
**101702/1 4 9 2002**

Item Article	Qua. Qua.	Art.No Réf. article	Description	Description	Info Info	Notes Remarques
1	1	438 0665-01	Door	Plaque	1	Complete
	1	438 0665-04	Door	Plaque	1	Aqua clean Complete
2	1	471 5516-02	•Door ring	•Anneau de la porte	3	
3	1	432 0113-01	•Door glass	•Vitre de la porte	1,2	
	1	432 0113-02	•Door glass	•Vitre de la porte	1,2	Aqua clean
4	1	471 5511-01	•Seal	•Joint	1,2	
5	1	471 5631-00	Door gasket	Joint de la porte	1,2	
6	16	471 5523-00	•Spacer	•Entretoise	3	
7	1	438 4832-01	•Washer	•Rondelle	3	
8	16	731 2316-42	•Nut	•Écrou	3	M6
9	1	471 5525-01	•Ring	•Anneau	3	
10	16	732 3116-14	•Nut	•Écrou	3	M6
11	1	438 0666-02	•Bracket	•Pupitre	3	
12	1	472 9903-43	••Door handle	••Poignée de la porte	3	Kit
13	1	438 4126-02	•••Hub	•••Moyeu	1,2	
14	1	438 0422-01	•••Shaft	•••Arbre	3	
15	1	471 7814-02	•••Spring	•••Ressort	3	
16	1	438 4127-02	•••Handle	•••Poignée	1,2	
17	1	471 8341-85	•••Screw	•••Vis	3	M6X16
18	2	438 0033-01	•••Bushing	•••Douille	3	
19	1	735 3126-01	•••Circlip	•••Attache en forme C	3	
20	12	734 1153-09	••Washer	••Rondelle	3	BRB 6,4X12
21	4	732 3116-14	••Nut	••Écrou	3	M6
22	2	438 4132-02	••Pin	••Goupille	3	
23	2	438 4128-01	Hinged joint	Assemblage articulé	3	
24	4	471 8341-50	Screw	Vis	3	MRT 6X50
25	4	471 7864-01	Clip	Colliers de serrage	3	M6
26	1	471 7674-01	Sign	Signe	3	
27	1	438 7668-02	Warning sign	Signal avertissement	3	English English
	1	471 7668-09	Warning sign	Signal avertissement	3	Spanish Spanish



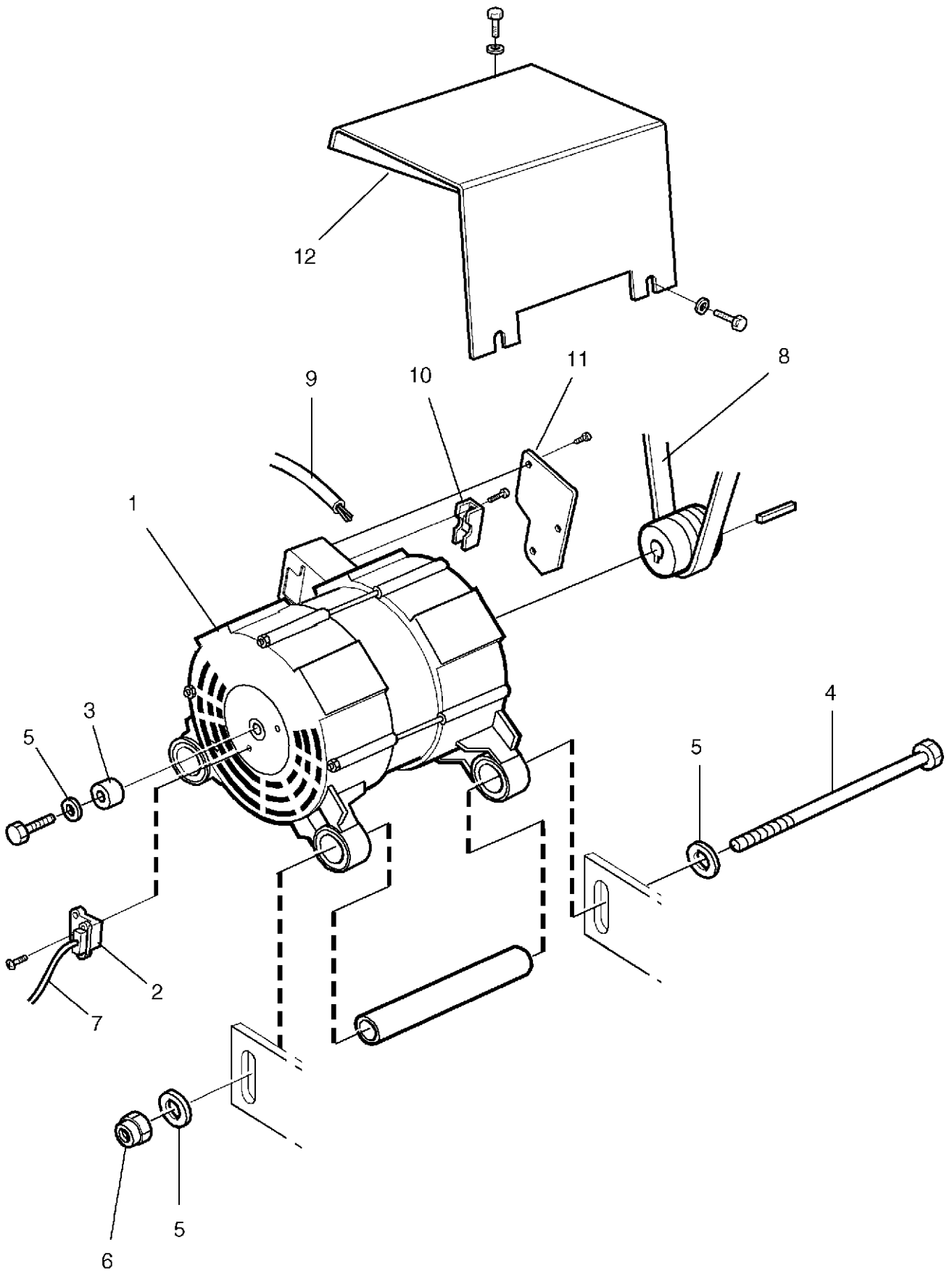
**EXSM 350C,EXSM 350C -6350/583,EXSM 350S**

**Motor and motor suspension**

**Purgeur et flexible**

Illustration Issue Month Year  
Schéma Issue Month Year  
**101692/2 3 9 2002**

Item Article	Qua. Qua.	Art.No Réf. article	Description	Description	Info Info	Notes Remarques
<b>1</b>	1	<b>471 9743-03</b>	Motor	Moteur	1,2	
<b>2</b>	2	<b>432 0641-04</b>	Pipe	Tube	3	
<b>3</b>	2	<b>471 8356-08</b>	Screw	Vis	3	M12X300
<b>4</b>	2	<b>471 8502-10</b>	Washer	Rondelle	3	12x35
<b>5</b>	2	<b>734 1178-01</b>	Washer	Rondelle	3	BRB 13X24
<b>6</b>	2	<b>732 2122-01</b>	Locking nut	Contre-écrou	3	M12
<b>7</b>	1	<b>432 0550-40</b>	Cable	Câble	1,2	With sensor
<b>8</b>	1	<b>471 9578-50</b>	Magnet	Aimant	3	
<b>9</b>	1	<b>725 2453-51</b>	Screw	Vis	3	M8X25
<b>10</b>	1	<b>734 1164-01</b>	Washer	Rondelle	3	8,4X17
<b>11</b>	1	<b>471 7704-01</b>	V-belt	Courroie trapézoïdale	1,2	
<b>12</b>	1	<b>432 0550-46</b>	Cable set	Jeu de câbles	3	





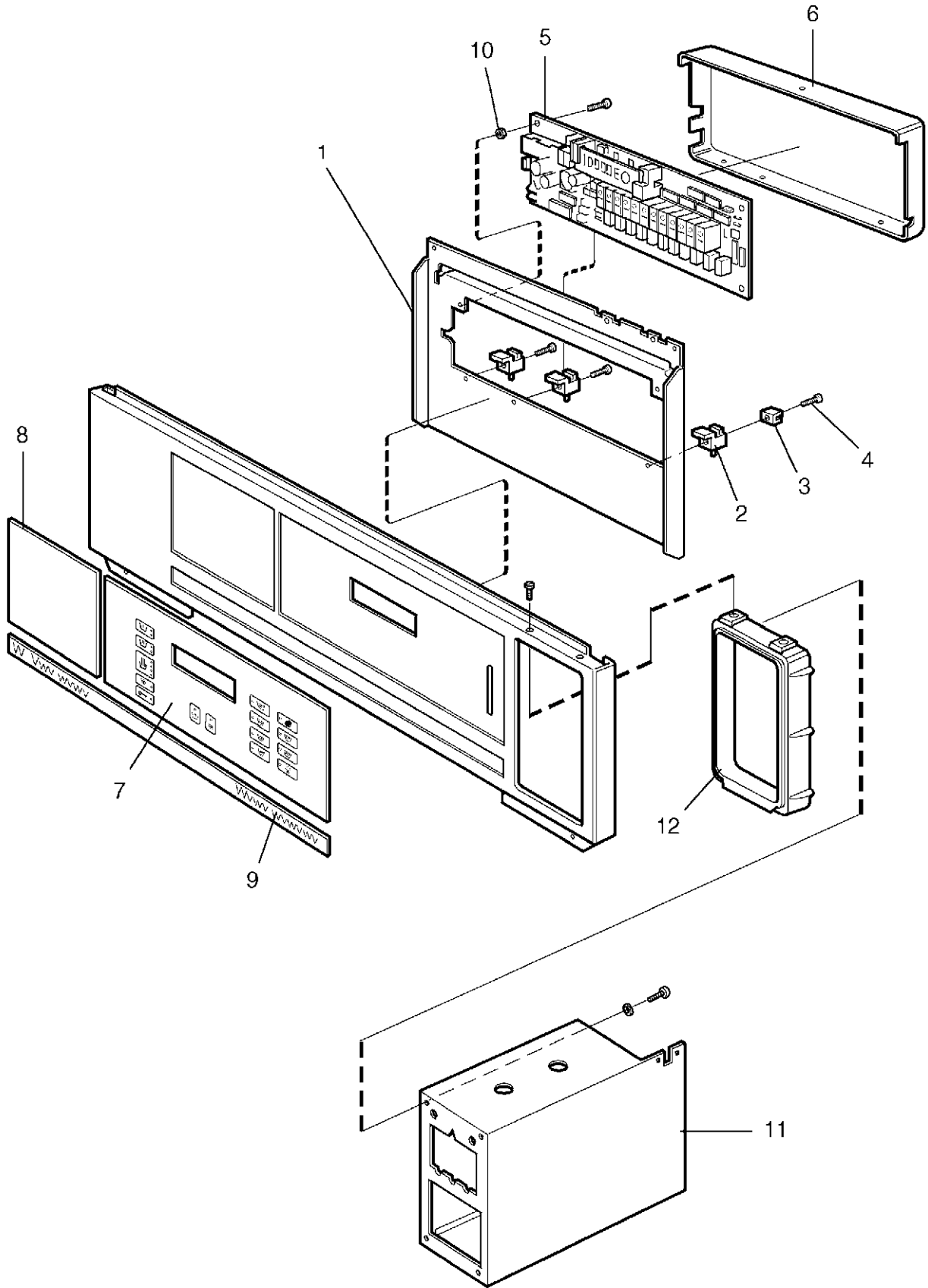
**EXSM 350C,EXSM 350C 6350/584-,EXSM 350S**

**Motor and motor suspension**

**Purgeur et flexible**

Illustration	Issue	Month	Year
Schéma	Issue	Month	Year
<b>102189/1</b>	<b>2</b>	<b>2</b>	<b>2003</b>

Item Article	Qua. Qua.	Art.No Réf. article	Description	Description	Info Info	Notes Remarques
<b>1</b>	1	<b>471 9743-04</b>	Motor	Moteur	1,2	
<b>2</b>	1	<b>432 3901-01</b>	•Sensor/transducer	•Capteur	1,2	
<b>3</b>	1	<b>432 3905-01</b>	•Magnet	•Aimant	1	
<b>4</b>	2	<b>471 8356-08</b>	Screw	Vis	3	M12X300
<b>5</b>	2	<b>471 8502-10</b>	Washer	Rondelle	3	12x35
<b>6</b>	2	<b>732 2122-01</b>	Locking nut	Contre-écrou	3	M12
<b>7</b>	1	<b>432 0549-48</b>	Cable set	Jeu de câbles	3	
<b>8</b>	1	<b>471 7704-01</b>	V-belt	Courroie trapézoïdale	1,2	
<b>9</b>	1	<b>432 0549-47</b>	Cable set	Jeu de câbles	3	
<b>10</b>	1	<b>438 9799-02</b>	Clamp	Attache	3	
<b>11</b>	1	<b>438 9799-03</b>	Cover	Couvercle	3	
<b>12</b>	1	<b>432 0936-01</b>	Drip guard	Lèche-goutte	3	



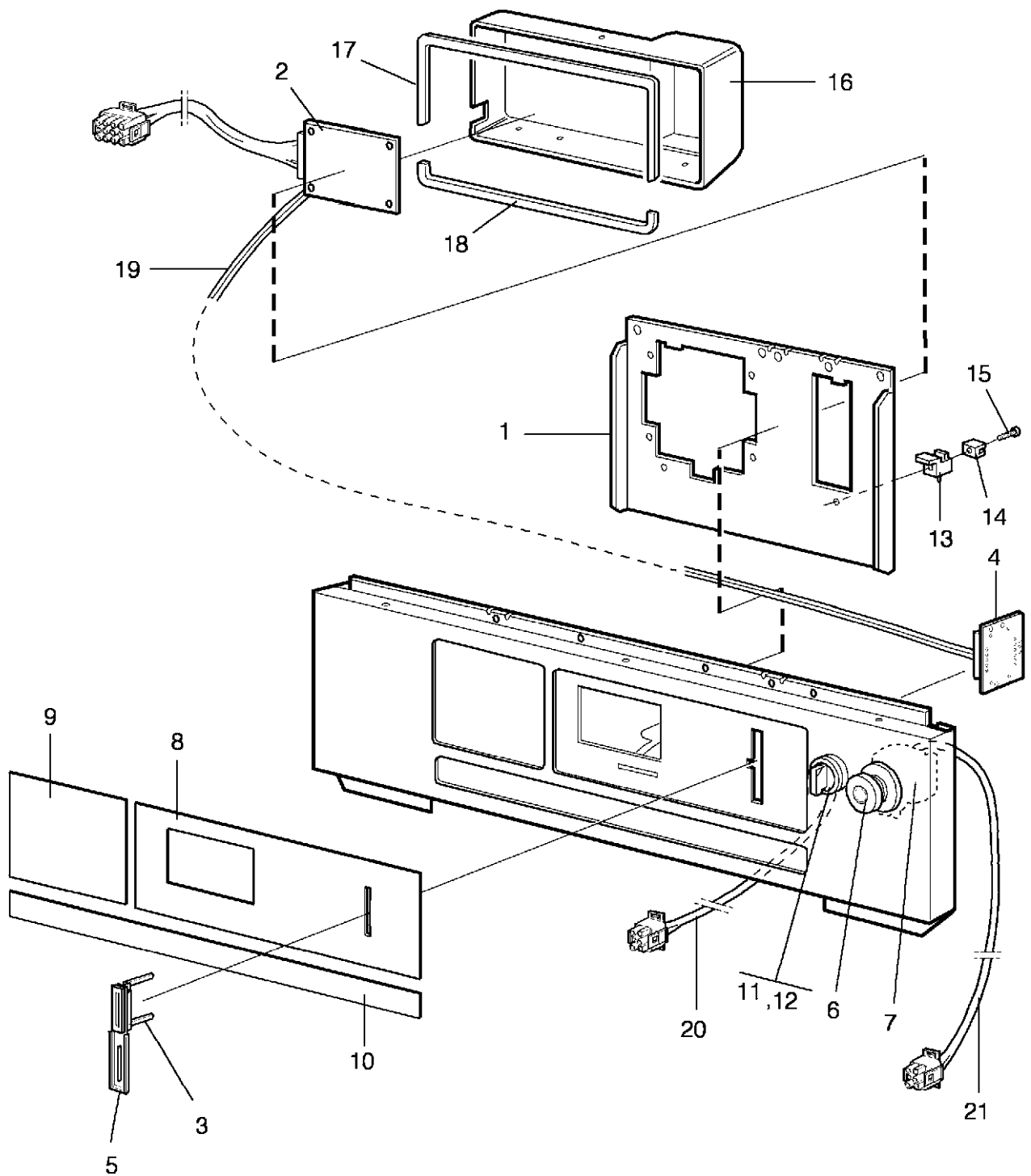
**EXSM 350S**

**Control panel**

**Pupitre de commande**

Illustration    Issue    Month    Year  
Schéma        Issue    Month    Year  
**102190/1    1        9        2002**

Item Article	Qua. Qua.	Art.No Réf. article	Description	Description	Info Info	Notes Remarques
<b>1</b>	1	<b>432 0927-01</b>	Mounting plate	Plaque de montage	3	
<b>2</b>	3	<b>438 5154-01</b>	Bracket	Pièce de retenue	3	
<b>3</b>	3	<b>471 9004-75</b>	Bracket	Support de montage	3	
<b>4</b>	3	<b>471 8340-26</b>	Screw	Vis	3	4,2x25
* <b>5</b>	1	<b>471 8988-04</b>	Printed circuit board	Circuit imprimé	1,2	
<b>6</b>	1	<b>438 5341-01</b>	Safety lid	Couvercle protection	3	
<b>7</b>	1	<b>472 5763-09</b>	Panel sign	Voyant du tableau	1,2	SE06
<b>8</b>	1	<b>471 7694-42</b>	Instruction plate	Plaque instruction utilisation	1,2	SE06
<b>9</b>	1	<b>471 7716-16</b>	Type plate	Numéro série plaque	3	
<b>10</b>	2	<b>471 8410-01</b>	Nut	Écrou	3	
<b>11</b>	1	<b>438 4088-01</b>	Coin box	Boite à jetons	3	
<b>12</b>	1	<b>471 4705-02</b>	Frame	Châssis	3	



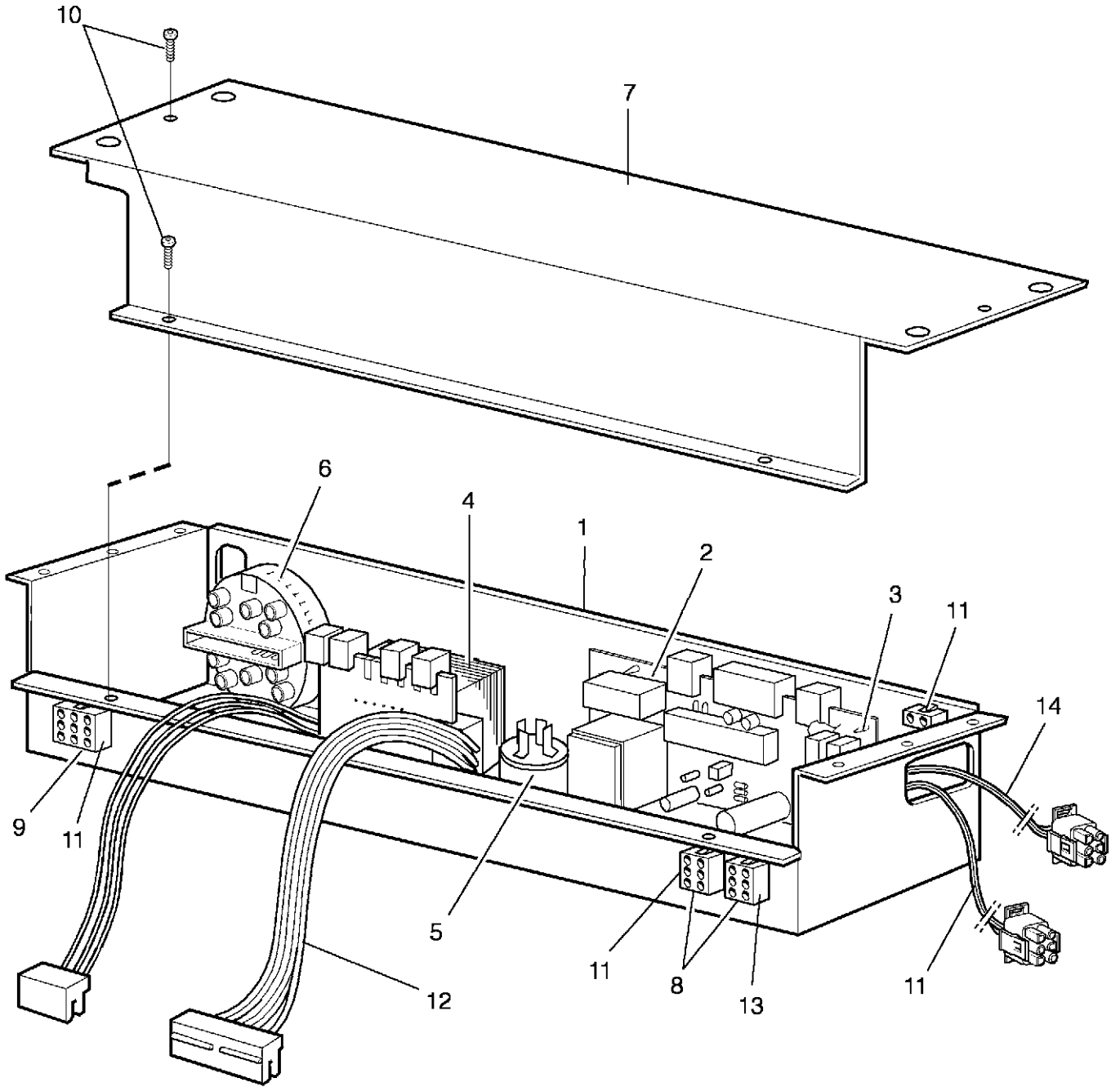
**EXSM 350C**

**Control panel**

**Pupitre de commande**

Illustration Issue Month Year  
Schéma Issue Month Year  
**101694/2 4 4 2001**

Item Article	Qua. Qua.	Art.No Réf. article	Description	Description	Info Info	Notes Remarques
1	1	432 0928-01	Mounting plate	Plaque de montage	3	
2	1	471 8997-02	Display	Ecran de contrôle	1,2	
3	1	432 0150-01	Bracket	Pièce de retenue	3	
4	1	471 8793-01	Card reader	Lecteur de carte	1	
5	1	432 0149-01	Rubber cap	Capuchon caoutchouc	3	
6	1	471 9628-22	Emergency stop	Arrêt d'urgence	1	-99/396
	1	471 9628-32	Emergency stop	Arrêt d'urgence	1	99/397-
7	1	471 9628-90	Socket	Bloc de connexion	1	-99/396
	1	471 9628-33	Contact block	Bloc de connexion	1	99/397-
8	1	472 5775-01	Panel sign	Voyant du tableau	1,2	
9	1	471 7694-46	Sign	Échelle	1,2	
10	1	471 7716-15	Type plate	Numéro série plaque	3	
11						Not used
12						Not used
13	2	438 5154-01	Bracket	Pièce de retenue	3	
14	2	471 9004-75	Bracket	Support de montage	3	
15	2	471 8340-26	Screw	Vis	3	4,2x25 4,2x25
16	1	432 0538-01	Heat shield	Bouclier thermique	3	
17						Not used
18						Not used
19	1	432 0550-11	Cable set	Jeu de câbles	3	
20	1	432 0550-66	Cable set	Jeu de câbles	3	EL/DS
21	1	432 0550-87	Cable set	Jeu de câbles	3	Emergency stop



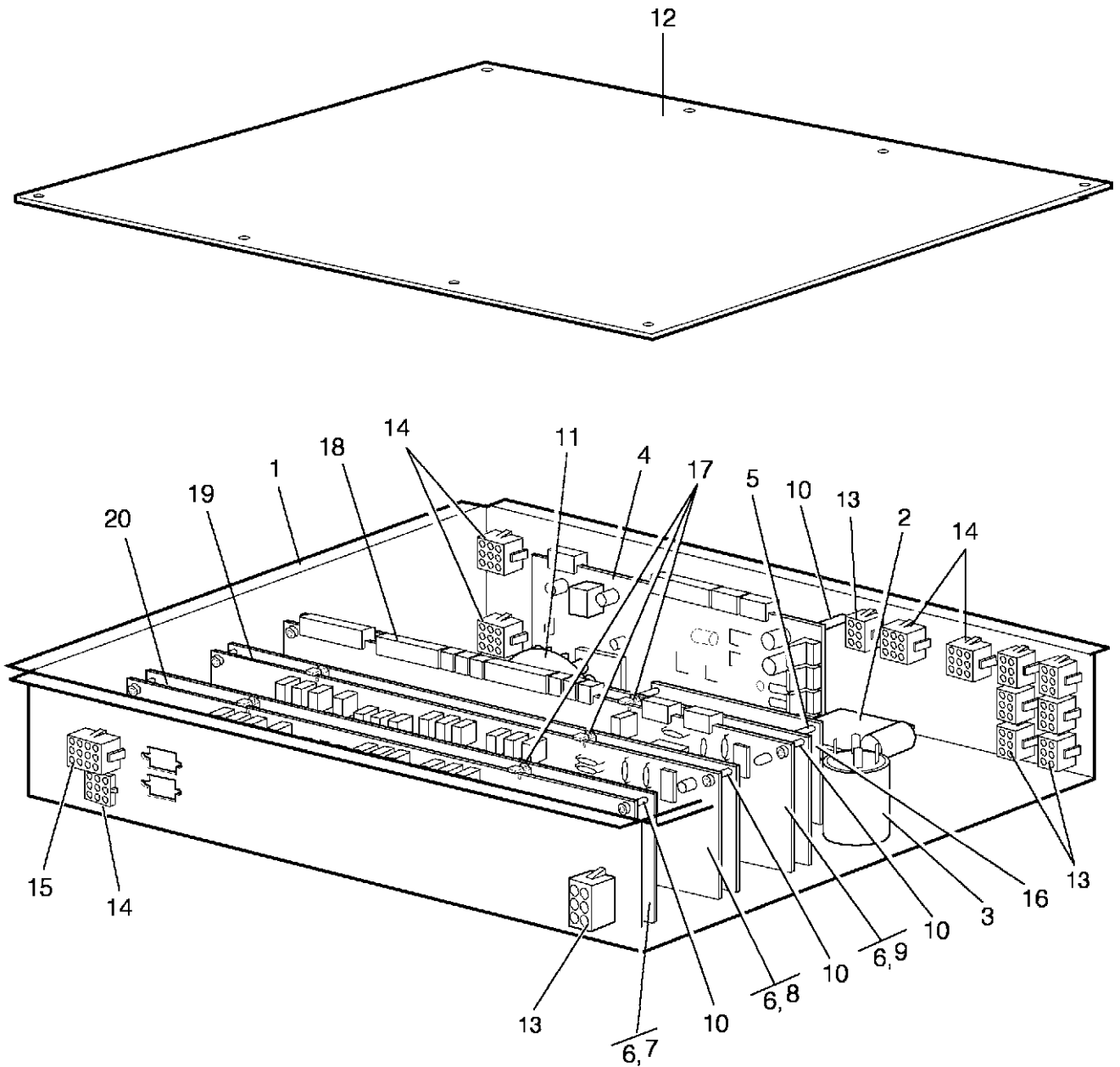
**EXSM 350S**

**Control unit**

**Unité de contrôle**

Illustration Issue Month Year  
Schéma Issue Month Year  
**101634/3 2 7 2000**

Item Article	Qua. Qua.	Art.No Réf. article	Description	Description	Info Info	Notes Remarques
<b>1</b>	1	<b>432 0635-01</b>	Component panel	Panneau composants	3	
<b>2</b>	1	<b>438 9555-01</b>	Printed circuit board	Circuit imprimé	1,2	Door lock
<b>3</b>	4	<b>471 7958-01</b>	Support	Support	3	
<b>4</b>	1	<b>471 9558-11</b>	Transformer	Transformateur	1	
<b>5</b>	1	<b>471 9529-10</b>	Mains filter	Filtre de filet	1	208-240V
<b>6</b>	1	<b>471 8859-06</b>	Level control	Réglage de niveau	1	
<b>7</b>	1	<b>432 0636-01</b>	Cover	Couvercle	3	
<b>8</b>	2	<b>762 3211-01</b>	Plug connector	Connexion enfichable	3	6-pole
<b>9</b>	1	<b>762 3231-01</b>	Plug connector	Connexion enfichable	3	9-POLE X8
<b>10</b>	4	<b>471 8342-13</b>	Screw	Vis	3	MRT-TT 4X10
<b>11</b>	1	<b>432 0550-20</b>	Cable set	Jeu de câbles	3	
<b>12</b>	1	<b>432 3087-11</b>	Cable set	Jeu de câbles	3	
<b>13</b>	1	<b>432 0550-16</b>	Cable set	Jeu de câbles	3	X11
<b>14</b>	1	<b>432 0550-15</b>	Cable set	Jeu de câbles	3	X20





**EXSM 350C**

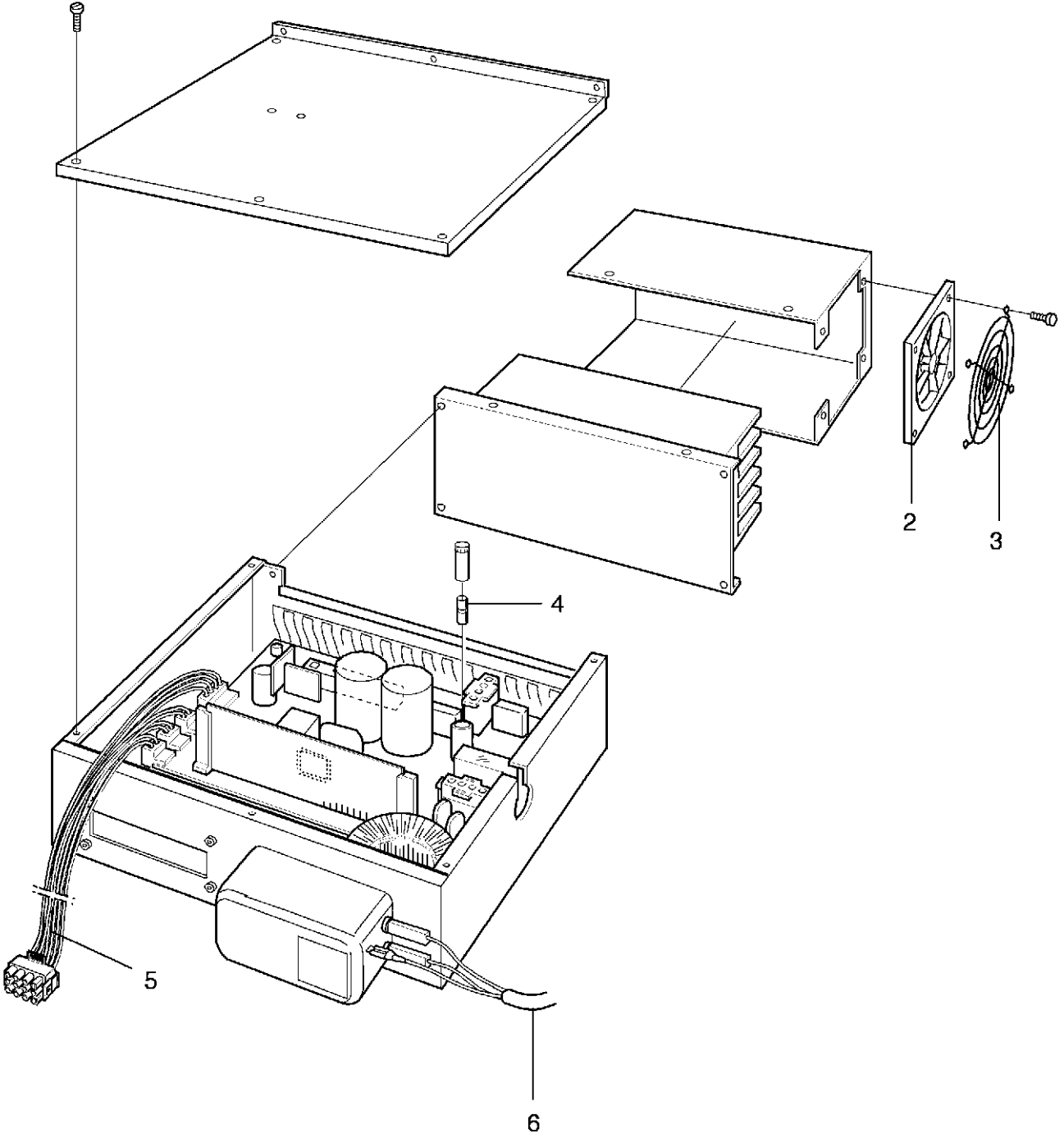
**Control unit**

**Unité de contrôle**

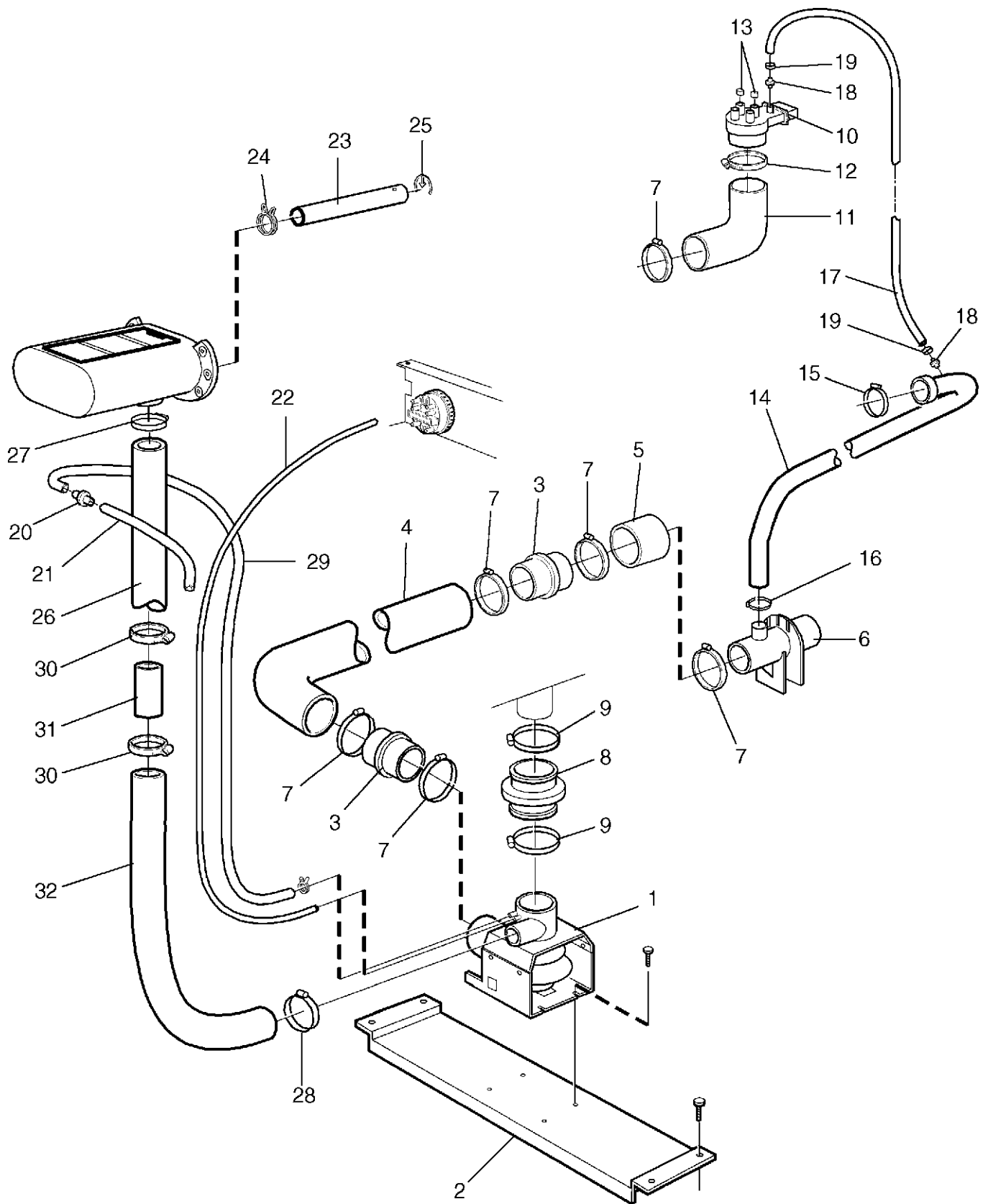
Illustration Issue Month Year  
Schéma Issue Month Year  
**101635/2 2 7 2000**

Item Article	Qua. Qua.	Art.No Réf. article	Description	Description	Info Info	Notes Remarques
<b>1</b>	1	<b>432 0632-01</b>	Component panel	Panneau composants	3	
	1	<b>432 0632-02</b>	Component panel	Panneau composants	3	
<b>2</b>	1	<b>471 8792-01</b>	Transformer	Transformateur	1	
<b>3</b>	1	<b>471 9529-10</b>	Mains filter	Filtre de filet	1	208-240V
<b>4</b>	1	<b>432 0809-01</b>	Printed circuit board	Circuit imprimé	1	I/O card CH, HW. USA
<b>5</b>	4	<b>471 7958-01</b>	Support	Support	3	
<b>6</b>	RQ	<b>432 0142-01</b>	Bracket	Support de montage	3	I/O-card
<b>7</b>	1	<b>471 8995-01</b>	Printed circuit board	Circuit imprimé	1	I/O-card Configured Not configured
	1	<b>471 8995-03</b>	Printed circuit board	Circuit imprimé	1	I/O-card A5
<b>8</b>	1	<b>471 8995-01</b>	Printed circuit board	Circuit imprimé	1	I/O-card Configured Not configured
	1	<b>471 8995-02</b>	Printed circuit board	Circuit imprimé	1	I/O-card Configured A4
<b>9</b>	1	<b>471 8995-01</b>	Printed circuit board	Circuit imprimé	1	I/O-card Configured A3
<b>10</b>	RQ	<b>438 0299-01</b>	Spacer	Entretoise	3	
<b>11</b>	1	<b>471 8859-06</b>	Level control	Réglage de niveau	1	
<b>12</b>	1	<b>432 0633-01</b>	Cover	Couvercle	3	
<b>13</b>	7	<b>762 3211-01</b>	Plug connector	Connexion enfichable	3	6-pole
<b>14</b>	4	<b>762 3231-01</b>	Plug connector	Connexion enfichable	3	9-POLE
<b>15</b>	1	<b>762 3251-01</b>	Plug connector	Connexion enfichable	3	12-POLE
<b>16</b>	1	<b>438 9555-01</b>	Printed circuit board	Circuit imprimé	1,2	Door lock
<b>17</b>	RQ	<b>471 7958-02</b>	Support	Support	3	
<b>18</b>	1	<b>432 0550-10</b>	Cable set	Jeu de câbles	3	1 I/O card
<b>19</b>	1	<b>432 0550-12</b>	Cable set	Jeu de câbles	3	2 I/O card
<b>20</b>	1	<b>432 0550-13</b>	Cable set	Jeu de câbles	3	3 I/O card

1







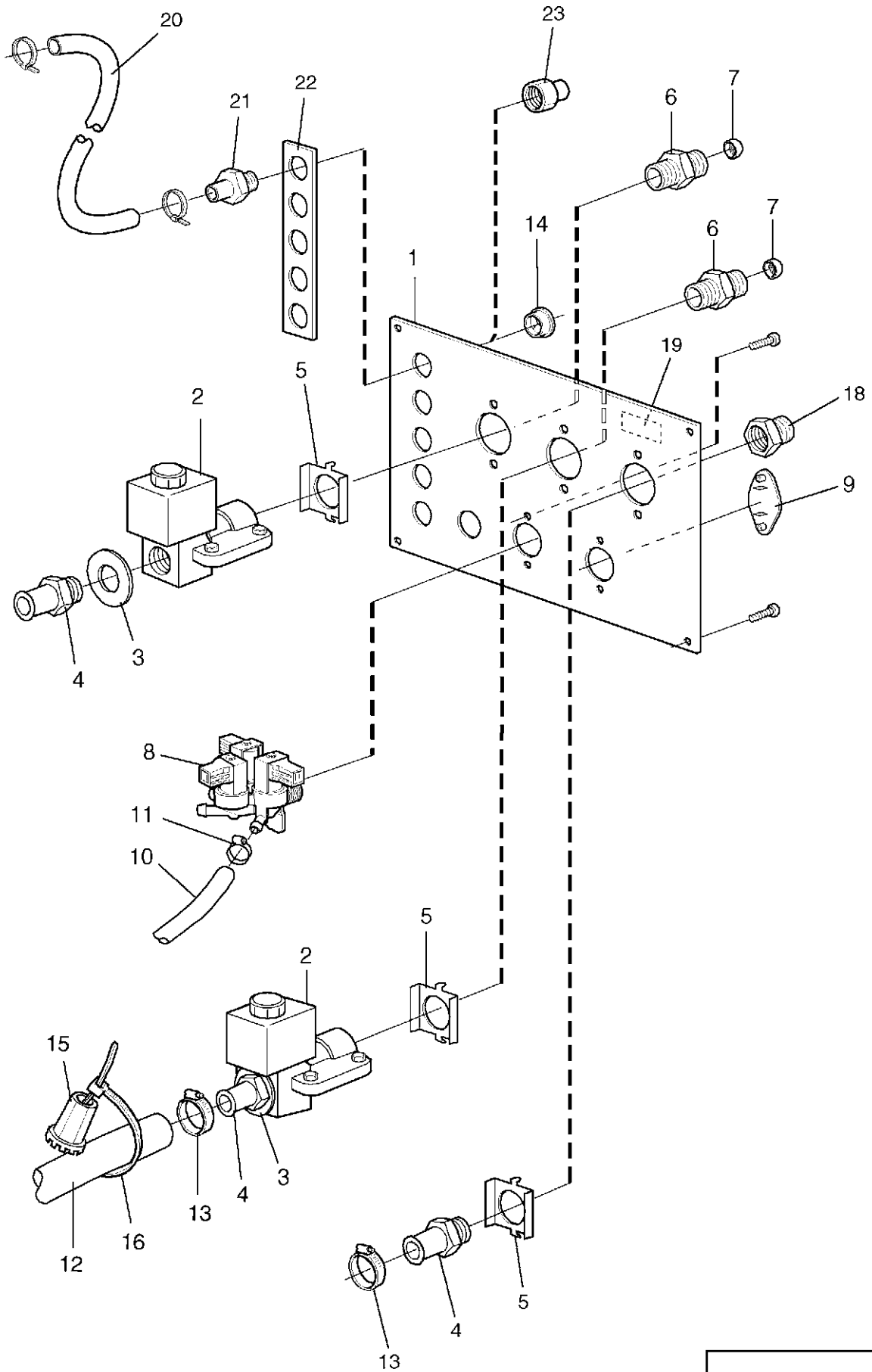
**EXSM 350C,EXSM 350S**

**Drain valve and hoses**

**Purgeur et flexible**

Illustration Issue Month Year  
Schéma Issue Month Year  
**101703/2 2 9 2000**

Item Article	Quantity Quantité	Art.No Réf. article	Description	Description	Info Info	Notes Remarques
			EXSM 350S			
			EXSM 350C			
1	1	472 8754-12	Drain valve	Purgeur	1,2	220V 50/60Hz Group 81
2	1	432 1023-01	Brace	Montant	3	
3	2	438 0083-01	Joint sleeve	Couvre-joint	3	
4	1	438 0689-01	Hose	Flexible	1,2	
5	1	438 0691-01	Hose	Flexible	1,2	L=400
6	1	438 0084-03	Drain pipe connection	Raccord de vidange	3	
7	8	736 2846-51	Hose clamp	Attache flexible	3	Ø73-83
8	1	471 2904-01	Connection	Flexible caoutchouc	3	
9	2	471 7851-03	Hose clamp	Attache flexible	3	Ø95-115
10	1	471 4516-03	Air inlet	Prise d'air	3	
11	1	438 0692-01	Hose	Flexible	1,2	
12	1	736 2849-51	Hose clamp	Attache flexible	3	Ø77-93
13	2	471 8175-01	Plug	Fiche	3	
14	1	471 4403-02	Hose	Flexible	1,2	
15	1	736 2840-51	Hose clamp	Attache flexible	3	Ø50-63
16	1	736 2831-51	Hose clamp	Attache flexible	3	Ø36-42
17	1	471 8121-01	Hose	Flexible	1	L=850
18	2	471 2432-25	Hose nipple	Mamelon de flexible	3	
19	2	736 2816-51	Hose clamp	Attache flexible	3	Ø13-19
20	1	471 4651-24	Nipple	Raccord	3	
21	1	471 2433-14	Hose	Flexible	1,2	L=940 7,5x4x940
22	1	471 2425-28	Hose	Flexible	1,2	L=1500
23	1	438 0145-13	Hose	Flexible	3	L=730
24	1	736 2825-51	Hose clamp	Attache flexible	3	Ø32
25	1	438 0127-01	Lock	Serrure	3	
26	1	438 0688-01	Hose	Flexible	3	
27	1	736 2840-51	Hose clamp	Attache flexible	3	Ø50-63
28	1	736 2837-51	Hose clamp	Attache flexible	3	Ø48-54
29	1	471 5103-05	Hose	Flexible	1,2	
30	2	736 2837-51	Hose clamp	Attache flexible	3	Ø48-54
31	1	471 7111-41	Joint sleeve	Couvre-joint	3	
32	1	438 0690-01	Hose	Flexible	3	



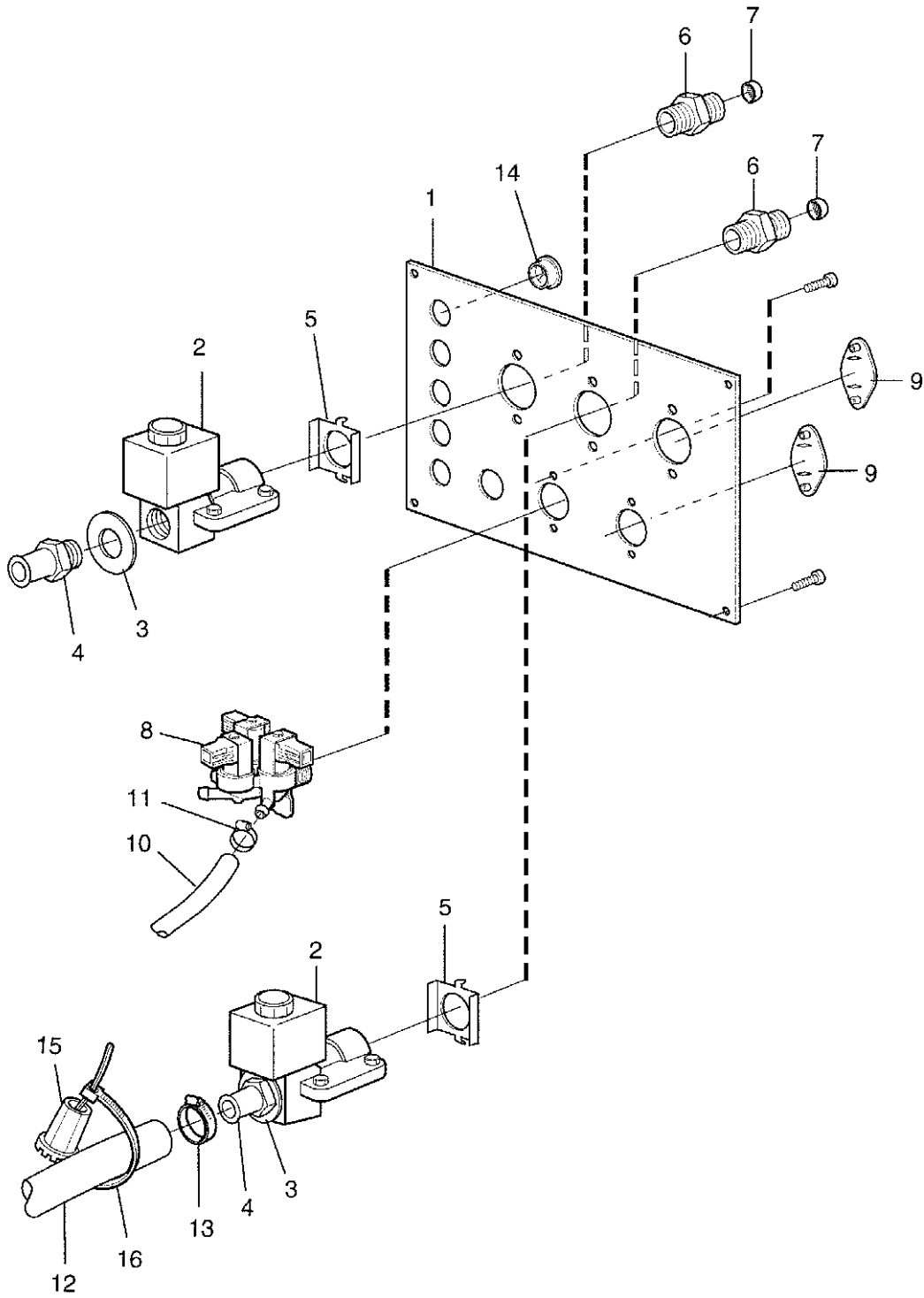
**EXSM 350C**

**Water connections**

**Raccords d'eau**

Illustration Issue Month Year  
Schéma Issue Month Year  
**101967/1 1 4 2001**

Item Article	Qua. Qua.	Art.No Réf. article	Description	Description	Info Info	Notes Remarques
1	1	432 0629-01	Mounting plate	Plaque de montage	3	
2	2	471 8210-63	Valve	Soupape	1,2	60Hz
3	2	471 8159-06	Gasket	Joint	3	
4	2	471 8623-01	Connection	Embrayage	3	1/2"
5	2	471 2937-01	Bracket	Support	3	
6	2	471 8693-12	Nipple	Raccord	3	1/2"-3/4"
7	2	471 8693-21	Filter	Filtre	3	
8	1	471 8236-65	Valve	Soupape	1,2	EPDM 2, 240V 60Hz 3-way
9	RQ	472 6761-01	Cover washer	Rondelle protection	3	
10	RQ	877 5211-08	Hose	Flexible	1	Per 1 m
11	3	736 2816-51	Hose clamp	Attache flexible	3	Ø13-19
12	2	432 1129-01	Hose	Flexible	1	
13	2	736 2825-51	Hose clamp	Attache flexible	3	Ø32
14	5	471 7977-01	Bushing	Douille	3	
15	1	471 4792-01	Tool	Outil	3	
16	1	762 9105-05	Cable strap	Serre-câble	3	
17	1	432 0549-78	Cable set	Jeu de câbles	3	Clarus Cold/hot water Not illustrated
18	1	471 8693-12	Nipple	Raccord	3	1/2"-3/4" USA
19	1	471 7687-01	Sign	Signe	3	Pump inlet
20	5	471 8144-17	Hose	Flexible	1	L=750
21	5	471 8682-02	Hose nipple	Mamelon de flexible	3	
22	1	438 4265-01	Bracket	Support	3	
23	5	471 8682-03	Hose nipple	Mamelon de flexible	3	





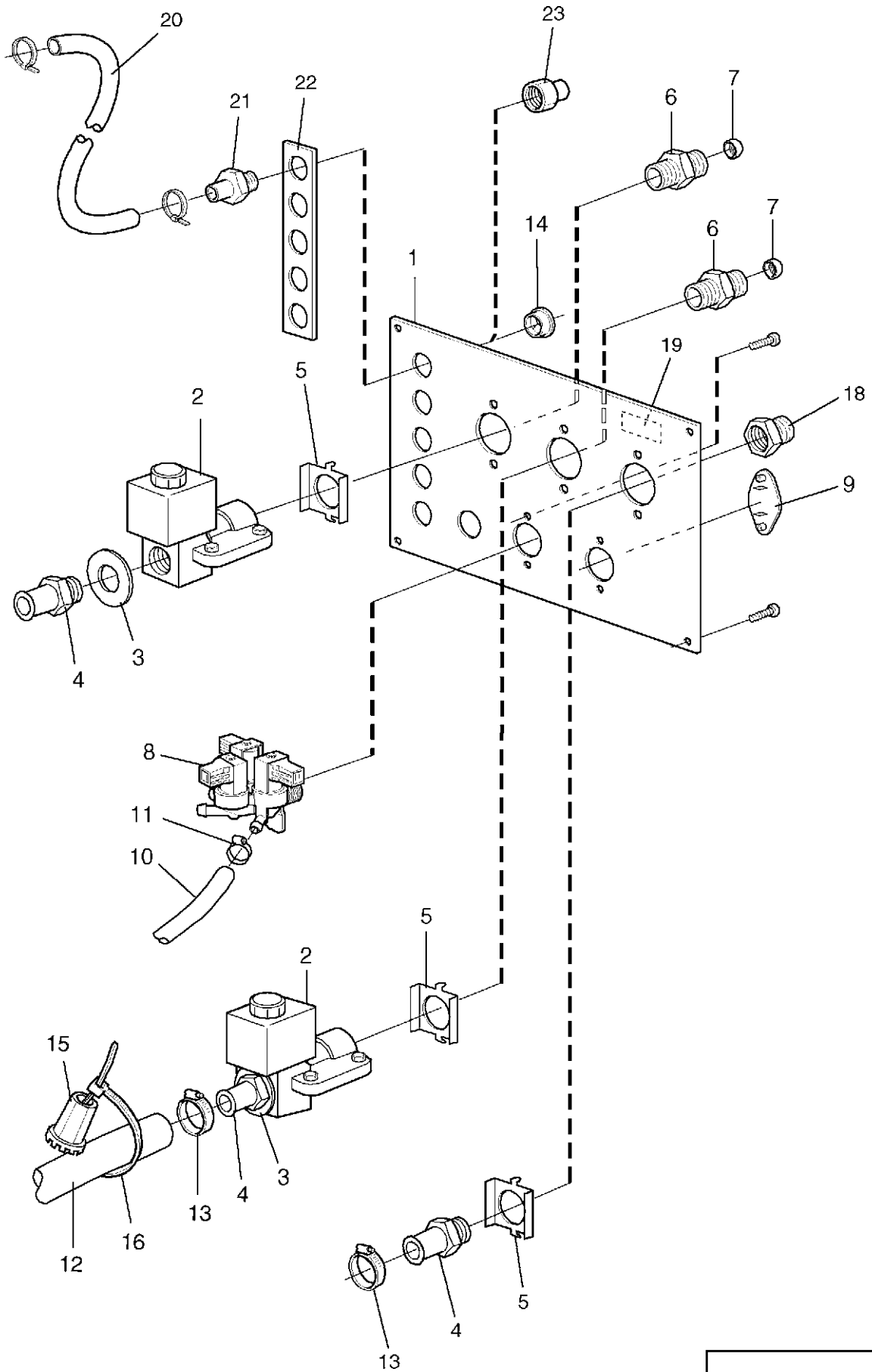
**EXSM 350S**

**Water connections**

**Raccords d'eau**

Illustration Issue Month Year  
Schéma Issue Month Year  
**101696/1 5 3 2001**

Item Article	Qua. Qua.	Art.No Réf. article	Description	Description	Info Info	Notes Remarques
<b>1</b>	1	<b>432 0629-01</b>	Mounting plate	Plaque de montage	3	
<b>2</b>	2	<b>471 8210-63</b>	Valve	Soupape	1,2	60Hz See group 8125
<b>3</b>	2	<b>471 8159-06</b>	Gasket	Joint	3	
<b>4</b>	2	<b>471 8623-01</b>	Connection	Embrayage	3	1/2"
<b>5</b>	2	<b>471 2937-01</b>	Bracket	Support	3	
<b>6</b>	2	<b>471 8693-12</b>	Nipple	Raccord	3	1/2"-3/4"
<b>7</b>	2	<b>471 8693-21</b>	Filter	Filtre	3	
<b>8</b>	1	<b>471 8236-65</b>	Valve	Soupape	1,2	EPDM 2, 240V 60Hz 3-way See group 8117
<b>9</b>	RQ	<b>472 6761-01</b>	Cover washer	Rondelle protection	3	
<b>10</b>	RQ	<b>877 5211-08</b>	Hose	Flexible	1	Per 1 m
<b>11</b>	3	<b>736 2816-51</b>	Hose clamp	Attache flexible	3	Ø13-19
<b>12</b>	2	<b>432 1129-01</b>	Hose	Flexible	1	
<b>13</b>	2	<b>736 2825-51</b>	Hose clamp	Attache flexible	3	Ø32
<b>14</b>	5	<b>471 7977-01</b>	Bushing	Douille	3	
<b>15</b>	1	<b>471 4792-01</b>	Tool	Outil	3	
<b>16</b>	1	<b>762 9105-05</b>	Cable strap	Serre-câble	3	
<b>17</b>	1	<b>432 0549-96</b>	Cable set	Jeu de câbles	3	S28 Cold/hot water Not illustrated



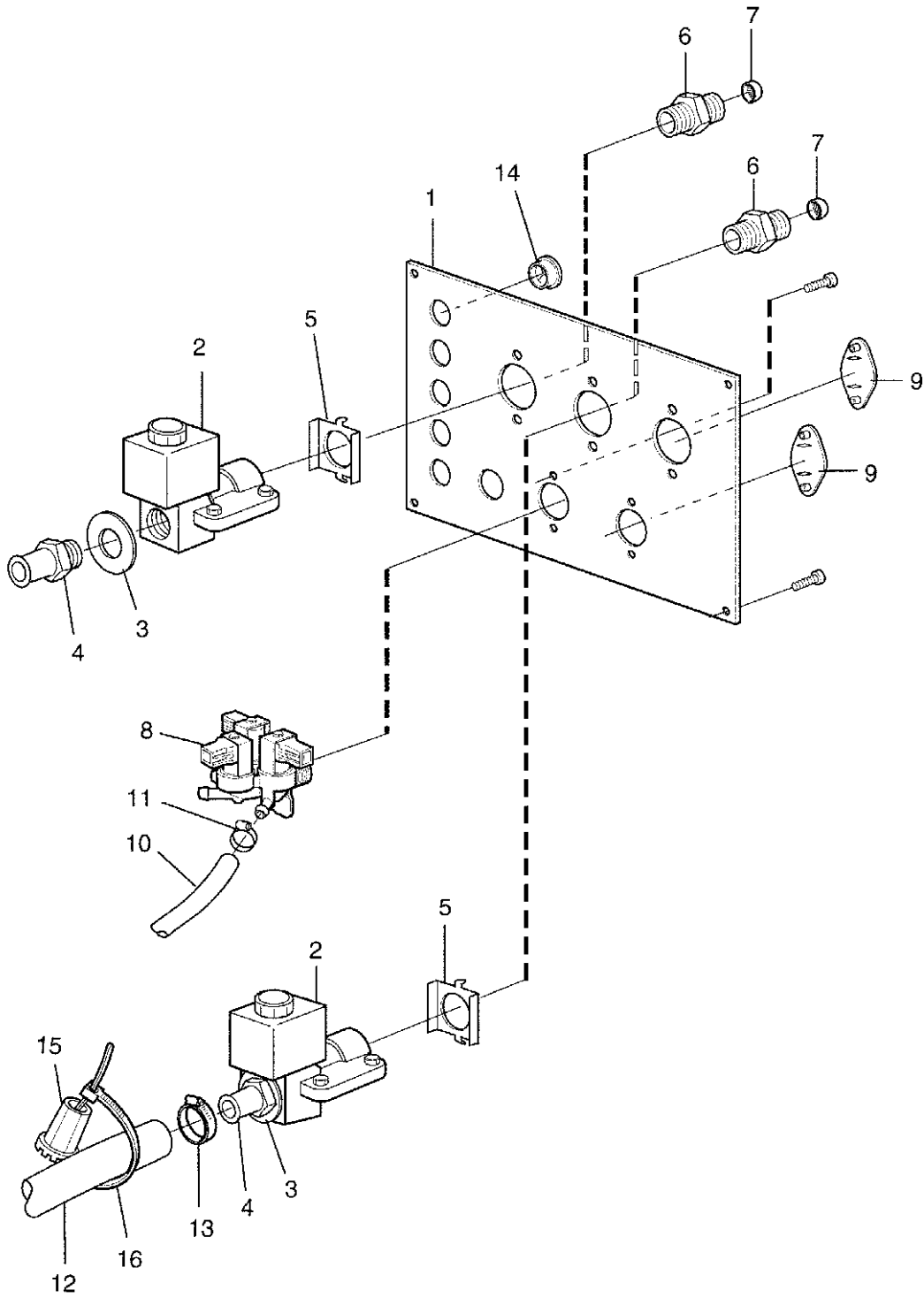
**EXSM 350C**

**Water connections**

**Raccords d'eau**

Illustration Issue Month Year  
Schéma Issue Month Year  
**101967/1 1 4 2001**

Item Article	Qua. Qua.	Art.No Réf. article	Description	Description	Info Info	Notes Remarques
1	1	432 0629-01	Mounting plate	Plaque de montage	3	
2	2	471 8210-63	Valve	Soupape	1,2	60Hz
3	2	471 8159-06	Gasket	Joint	3	
4	2	471 8623-01	Connection	Embrayage	3	1/2"
5	2	471 2937-01	Bracket	Support	3	
6	2	471 8693-12	Nipple	Raccord	3	1/2"-3/4"
7	2	471 8693-21	Filter	Filtre	3	
8	1	471 8236-65	Valve	Soupape	1,2	EPDM 2, 240V 60Hz 3-way
9	RQ	472 6761-01	Cover washer	Rondelle protection	3	
10	RQ	877 5211-08	Hose	Flexible	1	Per 1 m
11	3	736 2816-51	Hose clamp	Attache flexible	3	Ø13-19
12	2	432 1129-01	Hose	Flexible	1	
13	2	736 2825-51	Hose clamp	Attache flexible	3	Ø32
14	5	471 7977-01	Bushing	Douille	3	
15	1	471 4792-01	Tool	Outil	3	
16	1	762 9105-05	Cable strap	Serre-câble	3	
17	1	432 0549-78	Cable set	Jeu de câbles	3	Clarus Cold/hot water Not illustrated
18	1	471 8693-12	Nipple	Raccord	3	1/2"-3/4" USA
19	1	471 7687-01	Sign	Signe	3	Pump inlet
20	5	471 8144-17	Hose	Flexible	1	L=750
21	5	471 8682-02	Hose nipple	Mamelon de flexible	3	
22	1	438 4265-01	Bracket	Support	3	
23	5	471 8682-03	Hose nipple	Mamelon de flexible	3	



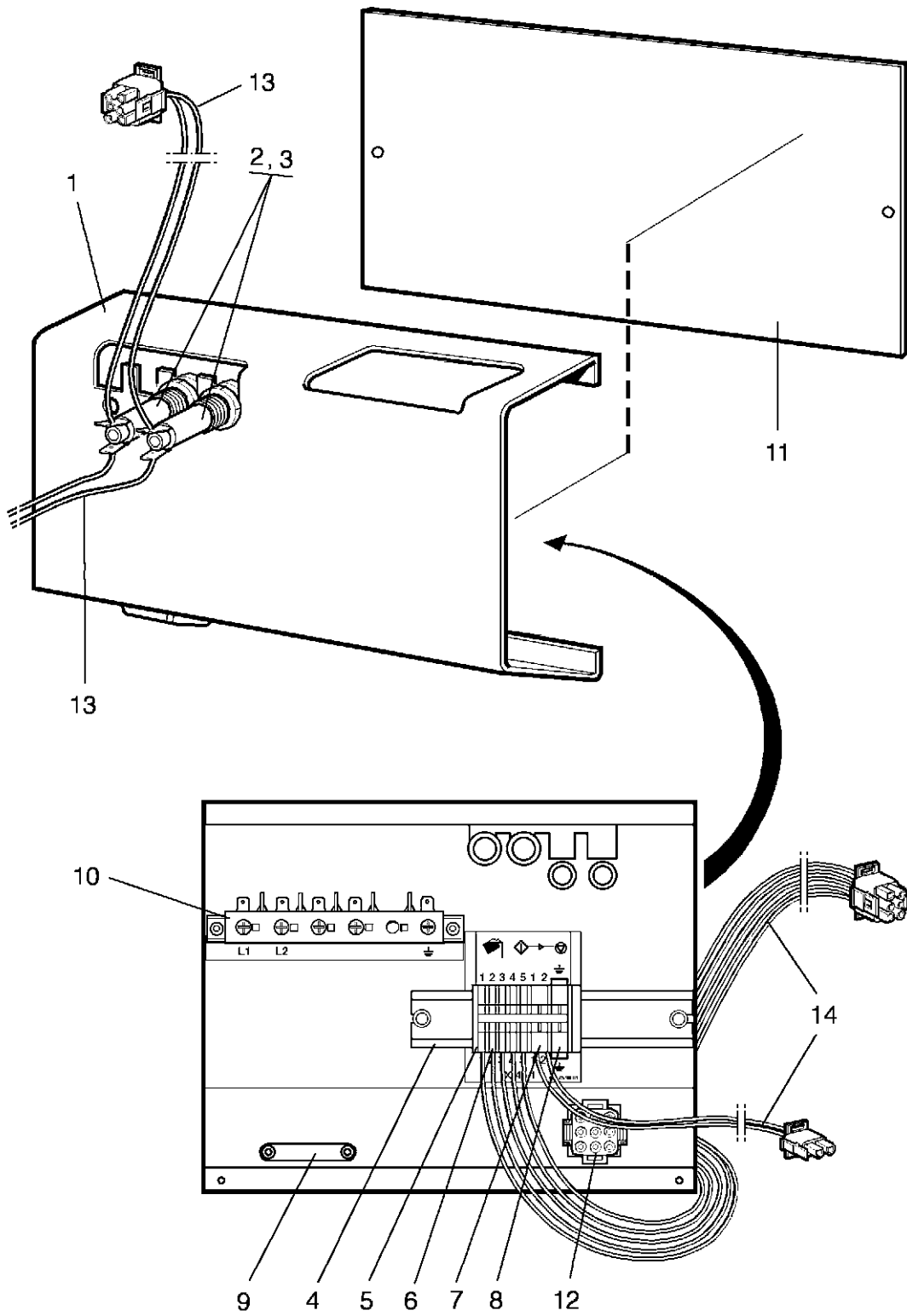
**EXSM 350S**

**Water connections**

**Raccords d'eau**

Illustration Issue Month Year  
Schéma Issue Month Year  
**101696/1 5 3 2001**

Item Article	Qua. Qua.	Art.No Réf. article	Description	Description	Info Info	Notes Remarques
<b>1</b>	1	<b>432 0629-01</b>	Mounting plate	Plaque de montage	3	
<b>2</b>	2	<b>471 8210-63</b>	Valve	Soupape	1,2	60Hz See group 8125
<b>3</b>	2	<b>471 8159-06</b>	Gasket	Joint	3	
<b>4</b>	2	<b>471 8623-01</b>	Connection	Embrayage	3	1/2"
<b>5</b>	2	<b>471 2937-01</b>	Bracket	Support	3	
<b>6</b>	2	<b>471 8693-12</b>	Nipple	Raccord	3	1/2"-3/4"
<b>7</b>	2	<b>471 8693-21</b>	Filter	Filtre	3	
<b>8</b>	1	<b>471 8236-65</b>	Valve	Soupape	1,2	EPDM 2, 240V 60Hz 3-way See group 8117
<b>9</b>	RQ	<b>472 6761-01</b>	Cover washer	Rondelle protection	3	
<b>10</b>	RQ	<b>877 5211-08</b>	Hose	Flexible	1	Per 1 m
<b>11</b>	3	<b>736 2816-51</b>	Hose clamp	Attache flexible	3	Ø13-19
<b>12</b>	2	<b>432 1129-01</b>	Hose	Flexible	1	
<b>13</b>	2	<b>736 2825-51</b>	Hose clamp	Attache flexible	3	Ø32
<b>14</b>	5	<b>471 7977-01</b>	Bushing	Douille	3	
<b>15</b>	1	<b>471 4792-01</b>	Tool	Outil	3	
<b>16</b>	1	<b>762 9105-05</b>	Cable strap	Serre-câble	3	
<b>17</b>	1	<b>432 0549-96</b>	Cable set	Jeu de câbles	3	S28 Cold/hot water Not illustrated



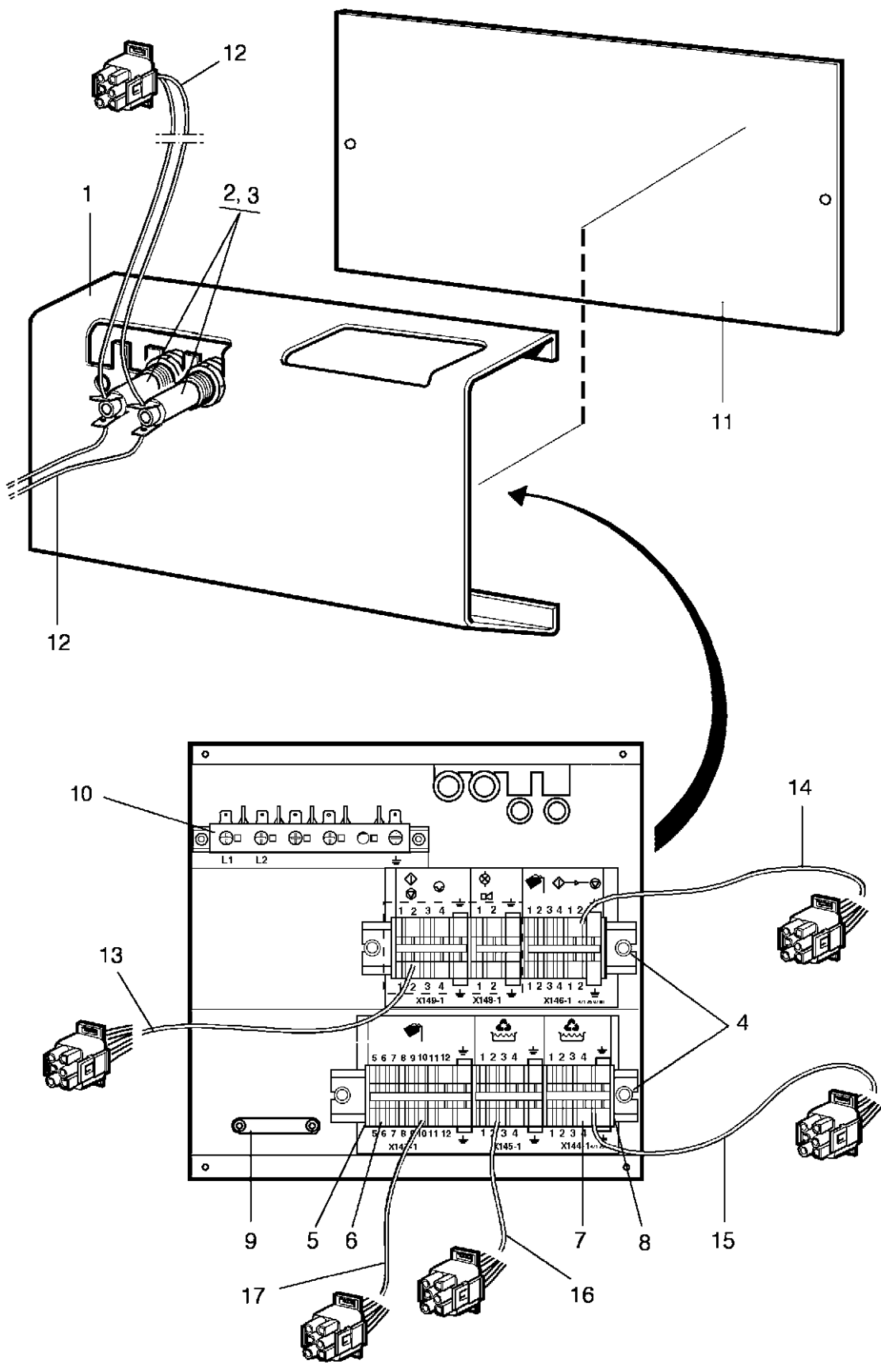
**EXSM 350S**

**Electric components**

**Composants électriques**

Illustration Issue Month Year  
Schéma Issue Month Year  
**101698/4 3 11 2000**

Item Article	Qua. Qua.	Art.No Réf. article	Description	Description	Info Info	Notes Remarques
<b>1</b>	1	<b>432 0631-01</b>	Mounting plate	Plaque de montage	3	
<b>2</b>	2	<b>471 8750-11</b>	Fuse	Porte-fusible	1,2	1,25A 5X20MM
<b>3</b>	2	<b>471 8756-51</b>	Insert	Insertion	1,2	5X20MM
<b>4</b>	1	<b>471 7182-23</b>	Rail	Support	3	
<b>5</b>	6	<b>471 8781-11</b>	Block	Cale	3	
<b>6</b>	RQ	<b>471 8781-02</b>	Block	Cale	3	Orange
<b>7</b>	RQ	<b>471 8781-01</b>	Block	Cale	3	Grey
<b>8</b>	RQ	<b>471 8781-03</b>	Block	Cale	3	Yellow/Green
<b>9</b>	1	<b>471 7859-11</b>	Clamp	Attache	3	
	1	<b>471 7859-16</b>	Clamp	Attache	3	Upper part
<b>10</b>	1	<b>471 8759-01</b>	Block	Cale	3	
<b>11</b>	1	<b>432 1125-01</b>	Cover	Couvercle	3	
<b>12</b>	1	<b>762 3231-01</b>	Plug connector	Connexion enfichable	3	9-POLE
<b>13</b>	1	<b>432 0549-01</b>	Cable set	Jeu de câbles	3	
<b>14</b>	1	<b>432 0549-97</b>	Cable set	Jeu de câbles	3	



Issue	Month	Year
03	06	00



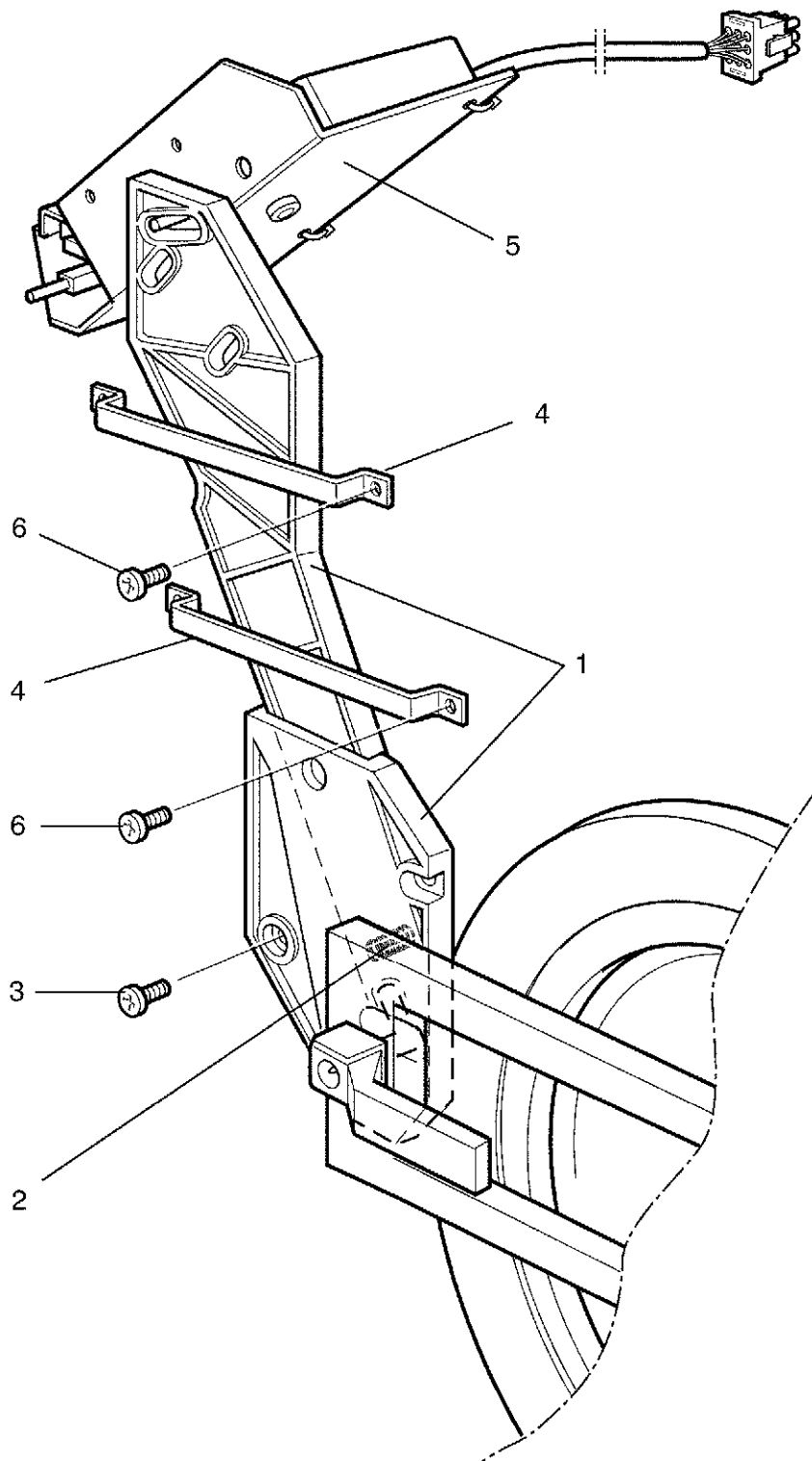
**EXSM 350C**

**Electric components**

**Composants électriques**

Illustration Issue Month Year  
Schéma Issue Month Year  
**101691/3 2 7 2000**

Item Article	Qua. Qua.	Art.No Réf. article	Description	Description	Info Info	Notes Remarques
1	1	432 0631-01	Mounting plate	Plaque de montage	3	
2	2	471 8750-11	Fuse	Porte-fusible	1,2	1,25A 5X20MM
3	2	471 8756-51	Insert	Insertion	1,2	5X20MM
4	2	471 7182-23	Rail	Support	3	
5	6	471 8781-11	Block	Cale	3	
6	RQ	471 8781-02	Block	Cale	3	Orange
7	RQ	471 8781-01	Block	Cale	3	Grey
8	RQ	471 8781-03	Block	Cale	3	Yellow/Green
9	1	471 7859-11	Clamp	Attache	3	
	1	471 7859-16	Clamp	Attache	3	Upper part
10	1	471 8759-01	Block	Cale	3	
11	1	432 0639-01	Cover	Couvercle	3	
12	1	432 0549-01	Cable set	Jeu de câbles	3	
13	1	432 0549-89	Cable set	Jeu de câbles	3	
14	1	432 0549-90	Cable set	Jeu de câbles	3	
15	1	432 0549-35	Cable set	Jeu de câbles	3	
16	1	432 0549-36	Cable set	Jeu de câbles	3	
17	1	432 0549-91	Cable set	Jeu de câbles	3	



Issue	Month	Year
01	03	99

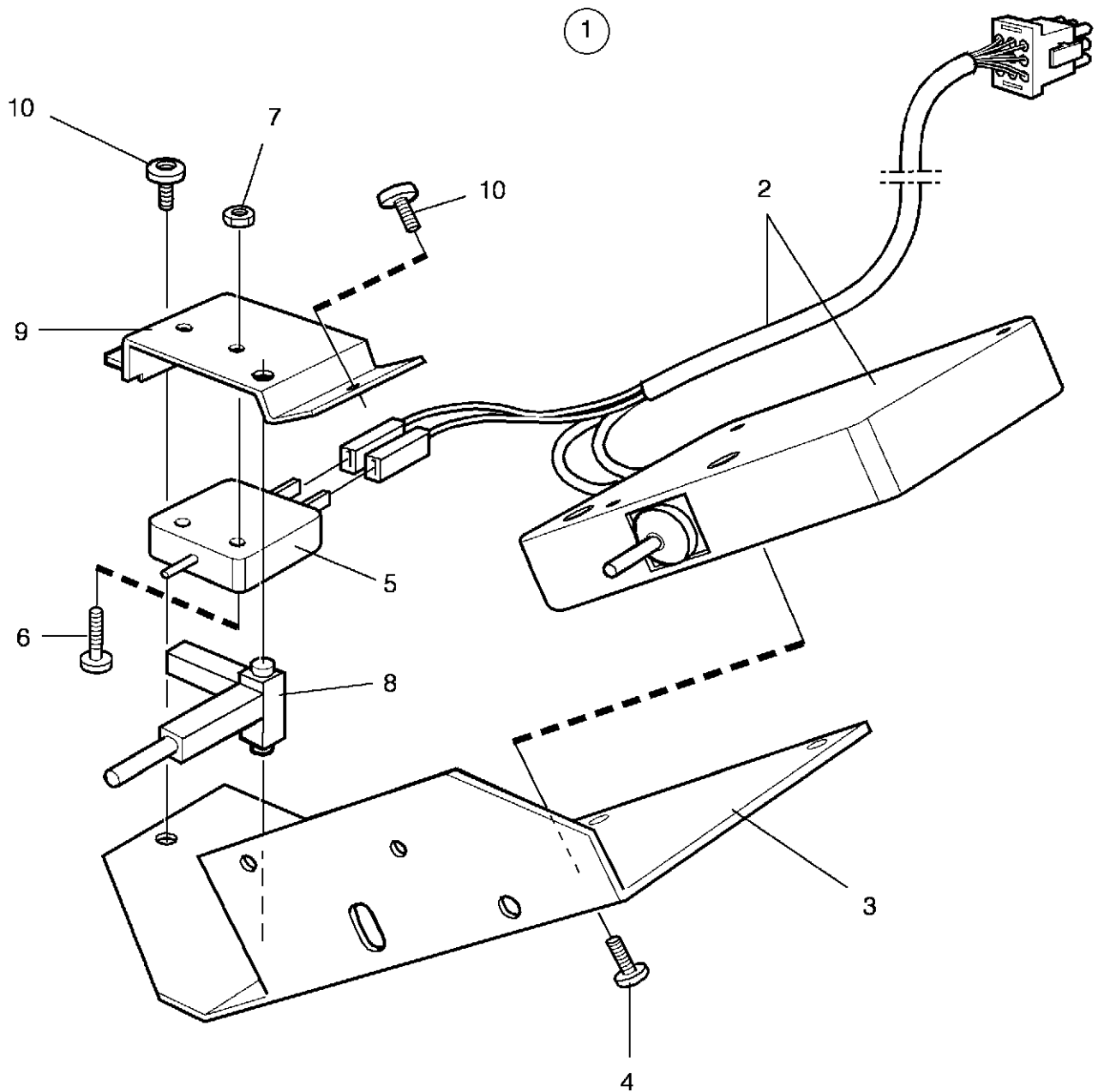
**EXSM 350C,EXSM 350S**

**Door locking system**

**Serrure de porte**

Illustration Issue Month Year  
Schéma Issue Month Year  
**101686/1 1 4 1999**

Item Article	Qua. Qua.	Art.No Réf. article	Description	Description	Info Info	Notes Remarques
<b>1</b>	1	<b>472 9901-33</b>	Arm and plate	Bras et tableau	1	Kit compl
<b>2</b>	1	<b>471 7803-21</b>	Spring	Ressort	3	
<b>3</b>	4	<b>471 8342-44</b>	Screw	Vis	3	MRT-TT 6X12
<b>4</b>	2	<b>472 9187-01</b>	Clamp	Bride de fixation	3	
<b>5</b>	1		Door locking device	Serrure de porte	1,2	
<b>6</b>	4	<b>471 8342-11</b>	Screw	Vis	3	MRT-TT 4X6



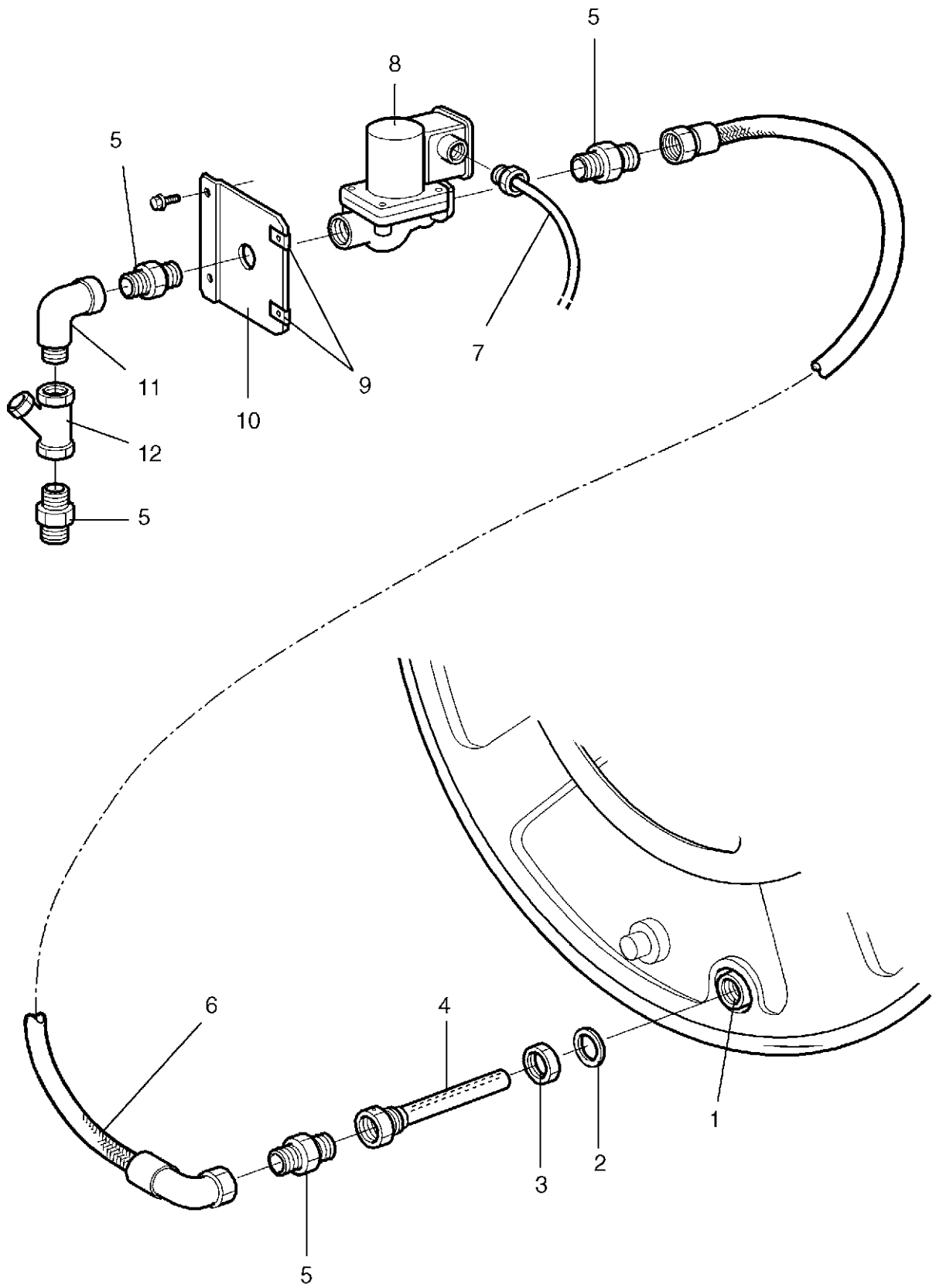
**EXSM 350C,EXSM 350S**

**Door locking device**

**Serrure de porte**

Illustration Issue Month Year  
Schéma Issue Month Year  
**101687/2 3 7 2000**

Item Article	Qua. Qua.	Art.No Réf. article	Description	Description	Info Info	Notes Remarques
<b>1</b>	1	<b>432 0555-02</b>	Door locking device	Serrure de porte	1,2	
<b>2</b>	1	<b>432 0550-22</b>	•Actuator	•Actuator	1,2	With cablage
<b>3</b>	1	<b>432 0925-01</b>	•Mounting plate	•Plaque de montage	3	
<b>4</b>	2	<b>471 8341-24</b>	•Screw	•Vis	3	M5X12
<b>5</b>	1	<b>471 9654-03</b>	•Microswitch	•Microrupteur	1,2	
<b>6</b>	2	<b>471 8341-17</b>	•Screw	•Vis	3	M4X25
<b>7</b>	2	<b>732 2112-01</b>	•Locking nut	•Contre-écrou	3	M4
<b>8</b>	1	<b>438 4149-01</b>	•Rocker arm	•Lever basculant	3	
<b>9</b>	1	<b>432 0926-01</b>	•Mounting plate	•Plaque de montage	3	
<b>10</b>	2	<b>471 8342-11</b>	•Screw	•Vis	3	MRT-TT 4X6



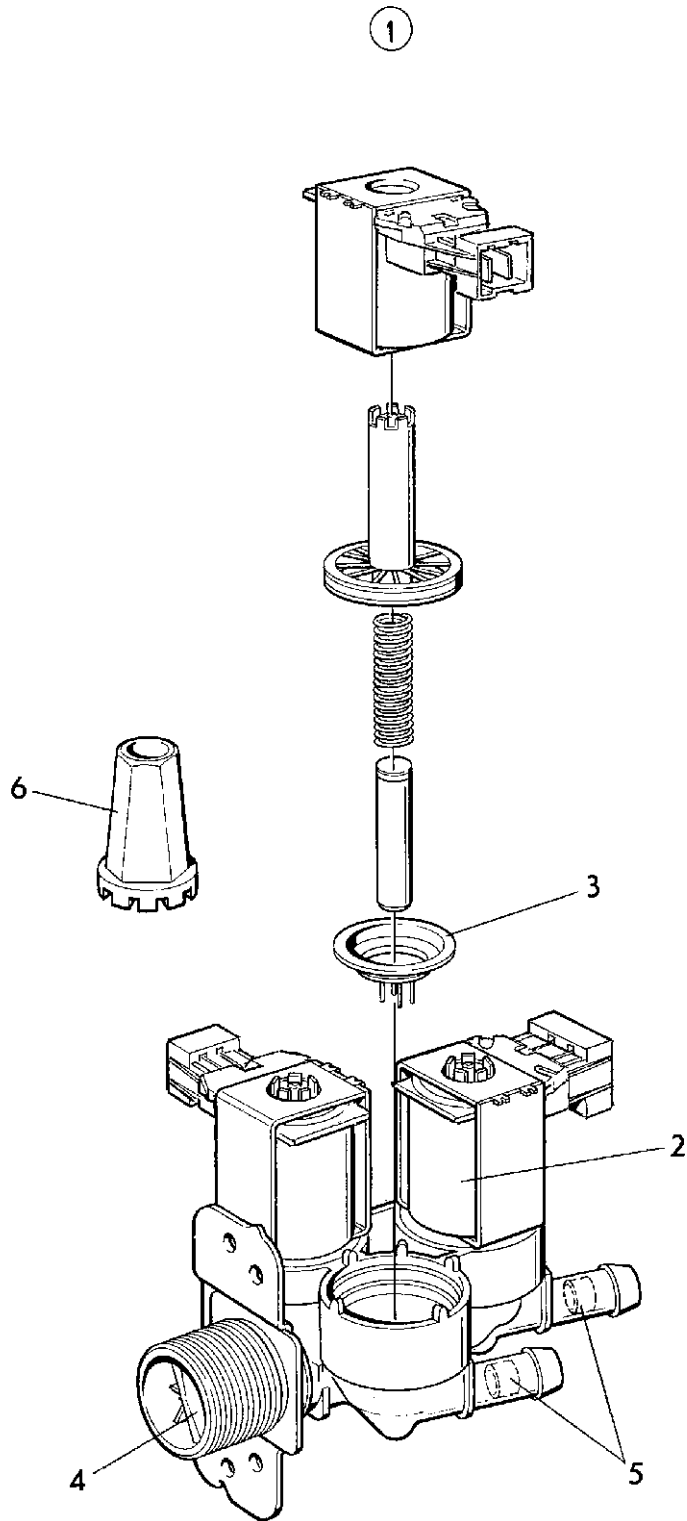
**EXSM 350C,EXSM 350S**

**Steam components**

Illustration Issue Month Year  
Schéma Issue Month Year  
**102191/1 1 9 2002**

**Composants**

Item Article	Qua. Qua.	Art.No Réf. article	Description	Description	Info Info	Notes Remarques
1	1	438 0694-01	Adapter	Adaptateur	3	
2	1	471 2440-10	Gasket	Joint	3	
3	1	438 0695-01	Nut	Écrou	3	
4	1	432 0473-01	Steam injector	Injecteur de vapeur	1	
5	4	471 9219-38	Nipple	Raccord	3	3/4"
6	1	471 8126-23	Hose	Flexible	3	
7	1	432 0549-61	Cable set	Jeu de câbles	3	Exacta
	1	432 0549-63	Cable set	Jeu de câbles	3	Clarus
8	1	471 8279-04	Valve	Soupape	3	
9	2	471 7864-01	Clip	Colliers de serrage	3	M6
10	1	438 0680-01	Bracket	Support de montage	3	
11	1	471 8608-00	Nipple pipe	Tuyau raccordement	3	
12	1	744 3115-06	Filter	Filtre	3	R 3/4"
13	3	471 8192-01	Bushing	Douille	3	
14	2	438 4118-01	Plug	Fiche	3	
15	1	471 8812-01	Sensor	Capteur	1,2	





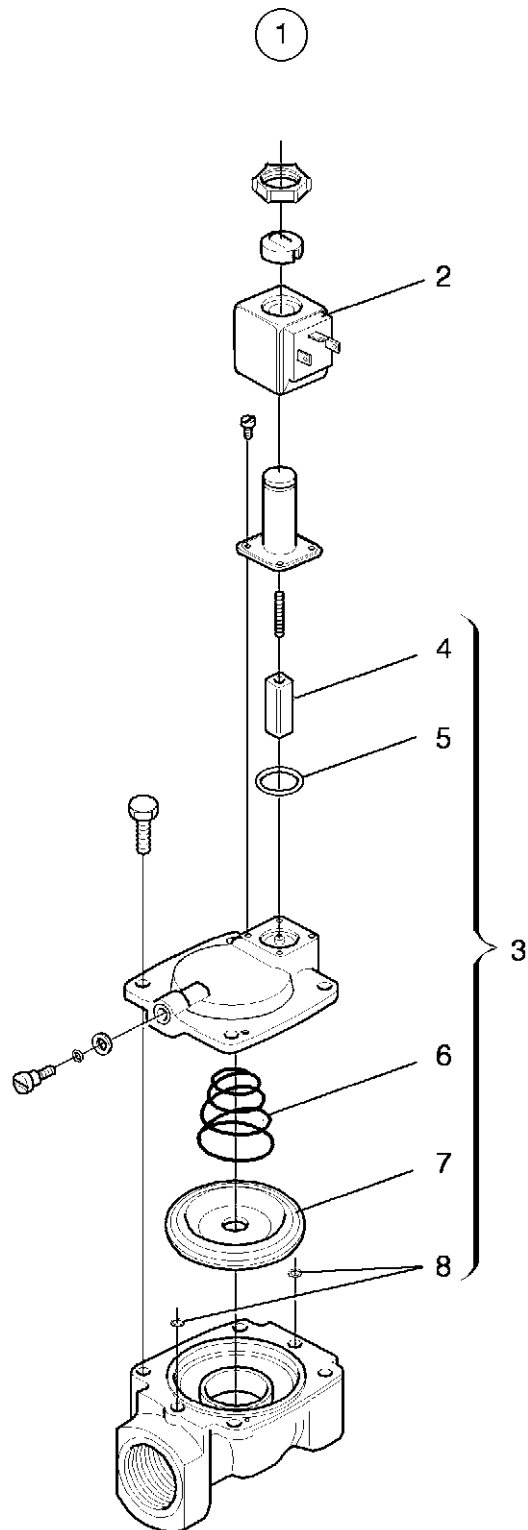
**EXSM 350C,EXSM 350S**

**Inlet valve 3/4", 3-way**

**Soupape de admission 3/4", 3 voies**

Illustration Issue Month Year  
Schéma Issue Month Year  
**100797/1 7 10 2002**

Item Article	Qua. Qua.	Art.No Réf. article	Description	Description	Info Info	Notes Remarques
<b>1</b>	1	<b>471 8236-52</b>	Valve	Soupape	1,2	208-240V Restriction 5,5/-/1/min
	1	<b>471 8236-56</b>	Valve	Soupape	1,2	208-240V
	1	<b>471 8236-60</b>	Valve	Soupape	1,2	208-240V Restriction 5,5/10/10 l/min
	1	<b>471 8236-62</b>	Valve	Soupape	1,2	208-240V Restriction 5,5/8/8 l/min
	1	<b>471 8236-64</b>	Valve	Soupape	1,2	208-240V Restriction -/5,5 l/min
	1	<b>471 8236-57</b>	Valve	Soupape	1,2	208-240V
	1	<b>471 8236-68</b>	Valve	Soupape	1,2	208-240V IN 20L/MIN,OUT 2, 5L/MIN
	1	<b>471 8236-66</b>	Valve	Soupape	1,2	EPDM 2, 120V 60Hz 3-way
	1	<b>471 8236-65</b>	Valve	Soupape	1,2	EPDM 2, 240V 60Hz 3-way
<b>2</b>	1	<b>471 6860-15</b>	•Coil	•Bobine	1,2	120V Green
	1	<b>471 6860-16</b>	•Coil	•Bobine	1,2	120V Orange
	1	<b>471 6860-17</b>	•Coil	•Bobine	1,2	120V White
	1	<b>471 6860-18</b>	•Coil	•Bobine	1,2	Green
	1	<b>471 6860-19</b>	•Coil	•Bobine	1,2	Orange
	1	<b>471 6860-20</b>	•Coil	•Bobine	1,2	White
<b>3</b>	1	<b>471 8234-98</b>	•Diaphragm	•Diaphragme	1,2	NITRIL
	1	<b>471 8234-92</b>	•Diaphragm	•Diaphragme	1,2	EPDM USA
<b>4</b>	1	<b>471 8234-94</b>	•Filter	•Filtre	1	
<b>5</b>	1	<b>471 8234-95</b>	•Restrictor	•Réducteur de débit	3	2,5l/min
	1	<b>471 8234-96</b>	•Restrictor	•Réducteur de débit	3	5,5l/min
<b>6</b>	1	<b>471 4792-01</b>	Tool	Outil	3	



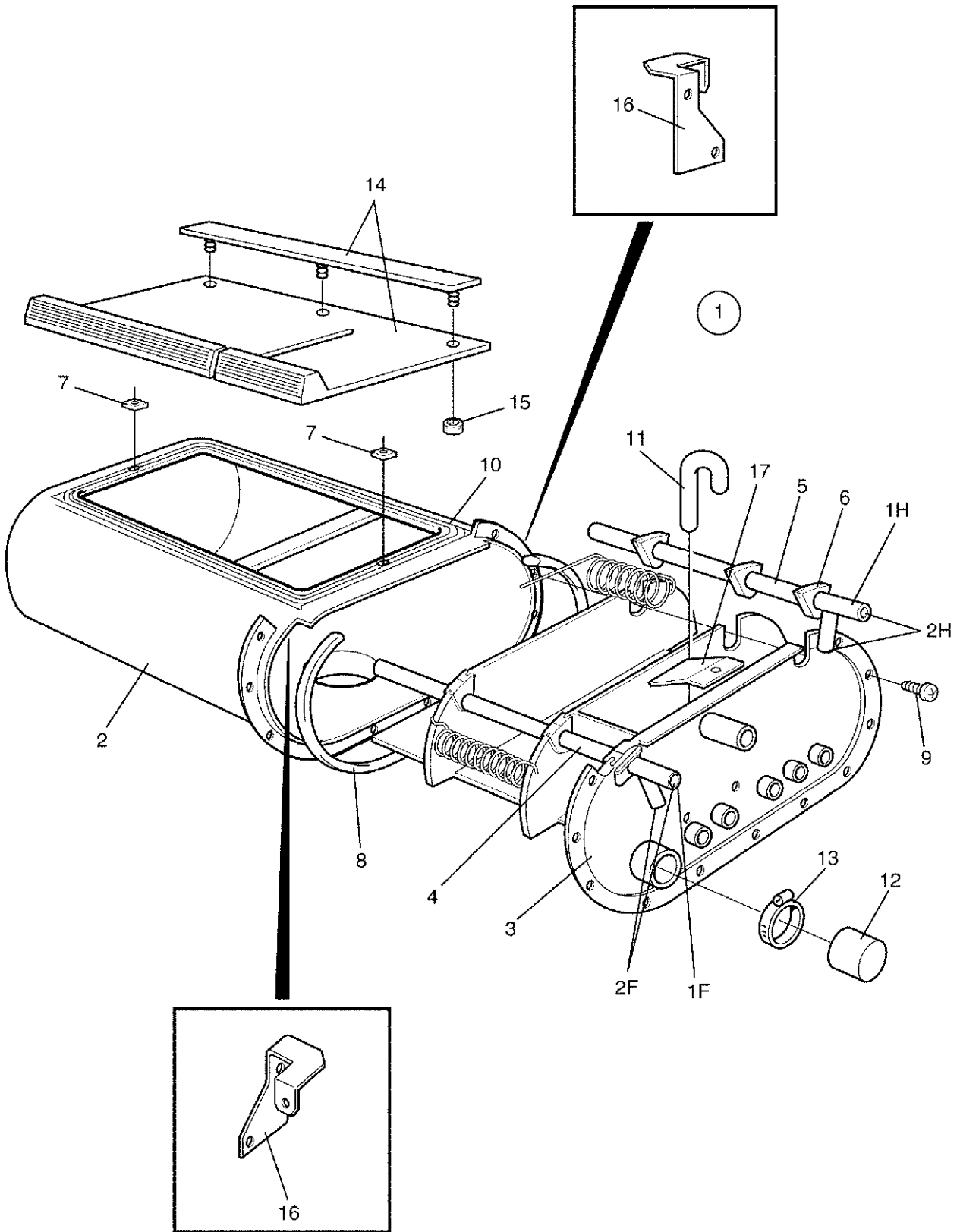
**EXSM 350C,EXSM 350S**

**Inlet valve 1/2", 3/4", 1", 1 1/4", 2"**

**Soupape de admission 1/2", 3/4", 1", 1 1/4", 2"**

Illustration	Issue	Month	Year
Schéma	Issue	Month	Year
<b>100568</b>	<b>4</b>	<b>3</b>	<b>2003</b>

Item Article	Qua. Qua.	Art.No Réf. article	Description	Description	Info Info	Notes Remarques
<b>1</b>	1	<b>471 8210-02</b>	Valve	Soupape	1,2	1/2" 220-240V 50Hz Complete
	1	<b>471 8210-01</b>	Valve	Soupape	1,2	1/2" 208-230V 60Hz Complete
	1	<b>471 8210-03</b>	Valve	Soupape	1,2	1/2" 115V 60Hz Complete
	1	<b>471 8210-12</b>	Valve	Soupape	1,2	3/4" 220-240V 50Hz Complete
	1	<b>471 8210-11</b>	Valve	Soupape	1,2	3/4" 208-230V 60Hz Complete
	1	<b>471 8210-22</b>	Valve	Soupape	1,2	1" 220-240V 50Hz Complete
	1	<b>471 8210-21</b>	Valve	Soupape	1,2	1" 208-230V 60Hz Complete
	1	<b>471 8210-32</b>	Valve	Soupape	1,2	1 1/4" 50Hz Complete
	1	<b>471 8210-31</b>	Valve	Soupape	1,2	1 1/4" 60Hz Complete
	1	<b>471 8210-52</b>	Valve	Soupape	1,2	2", 50Hz Complete
	1	<b>471 8210-51</b>	Valve	Soupape	1,2	2", 60Hz Complete
<b>2</b>	1	<b>471 6657-15</b>	•Coil	•Bobine	1,2	50Hz 220-240V 50Hz
	1	<b>471 6657-16</b>	•Coil	•Bobine	1,2	60Hz
	1	<b>471 6657-17</b>	•Coil	•Bobine	1,2	115V 60Hz
<b>3</b>	1	<b>471 6657-18</b>	•Repair kit	•Kit reconditionnement	1,2	1/2"
	1	<b>471 6657-19</b>	•Repair kit	•Kit reconditionnement	1,2	3/4"
	1	<b>471 6657-20</b>	•Repair kit	•Kit reconditionnement	1,2	1"
	1	<b>471 6657-21</b>	•Repair kit	•Kit reconditionnement	1,2	1 1/4"
	1	<b>471 6695-95</b>	•Repair kit	•Kit reconditionnement	1,2	2"
<b>4</b>		•Plunger	•Bobine mobile			
<b>5</b>		•O-ring	•Joint torique			
<b>6</b>		•Spring	•Ressort			
<b>7</b>		•Diaphragm	•Diaphragme			
<b>8</b>		•O-ring	•Joint torique			



**EXSM 350C,EXSM 350S**

**Detergent container**

**Compartment à savon**

Illustration Issue Month Year  
Schéma Issue Month Year  
**100634 8 4 1996**

Item Article	Qua. Qua.	Art.No Réf. article	Description	Description	Info Info	Notes Remarques
<b>1</b>						MED SKRUV I TOPPLOCKET WITH SCREW IN TOP PANEL
	1	<b>472 6001-51</b>	Detergent container	Compartment à savon	1,2	1F-1H
	1	<b>472 6001-52</b>	Detergent container	Compartment à savon	1,2	1F-2H
	1	<b>472 6001-53</b>	Detergent container	Compartment à savon	1,2	2F-1H
<b>2</b>	1	<b>472 6002-05</b>	•Shell	•Pression coque	1	
<b>3</b>	1	<b>472 6003-01</b>	•Box	•Boîtier	1	
<b>4</b>	1	<b>472 6005-10</b>	•Spray head	•Vaporisateur	1	1F 1F
	1	<b>472 6005-11</b>	•Spray head	•Vaporisateur	1	2F 2F
<b>5</b>	1	<b>472 6005-01</b>	•Spray head	•Vaporisateur	1	1H 1H
	1	<b>472 6005-02</b>	•Spray head	•Vaporisateur	1	2H 2H
<b>6</b>	6	<b>472 6004-01</b>	Grommet	Oeillet	3	
<b>7</b>	2	<b>471 8401-01</b>	•Nut	•Écrou	3	M4
<b>8</b>	1	<b>471 8163-01</b>	•Gasket	•Joint	1	
<b>9</b>	11	<b>471 8346-01</b>	•Screw	•Vis	3	
<b>10</b>	1	<b>438 0460-02</b>	•Gasket	•Joint	1,2	
<b>11</b>	1	<b>472 6006-01</b>	•Siphon	•Siphon	1,2	
<b>12</b>	1	<b>471 8644-03</b>	Hood	Capot	3	
<b>13</b>	1	<b>736 2828-51</b>	Hose clamp	Attache flexible	3	
<b>14</b>	1	<b>472 9902-59</b>	Cover	Couvercle	1,2	
<b>15</b>	3	<b>731 2314-42</b>	•Nut	•Écrou	3	M4
<b>16</b>	2	<b>438 4139-01</b>	Bracket	Support de montage	3	W/FL 184-244
<b>17</b>	1	<b>472 6756-01</b>	Plate	Plaque	3	



## Numerical index/Numerical index

Art.No/Réf. article	Page/Page	Art.No/Réf. article	Page/Page	Art.No/Réf. article	Page/Page	Art.No/Réf. article	Page/Page
432 0113-01	13	432 0933-01	9	438 4126-02	13	471 7111-41	29
432 0113-02	13	432 0936-01	17	438 4127-02	13	471 7182-23	39
432 0142-01	25	432 1015-01	9	438 4128-01	13	471 7182-23	41
432 0149-01	21	432 1016-01	9	438 4132-02	13	471 7668-09	13
432 0150-01	21	432 1016-02	9	438 4139-01	53	471 7674-01	13
432 0473-01	47	432 1017-01	9	438 4149-01	45	471 7687-01	31
432 0538-01	21	432 1017-02	9	438 4265-01	31	471 7687-01	35
432 0549-01	39	432 1017-03	9	438 4265-01	35	471 7694-42	19
432 0549-01	41	432 1018-01	9	438 4520-03	11	471 7694-46	21
432 0549-25	7	432 1019-01	9	438 4521-20	11	471 7704-01	15
432 0549-35	41	432 1019-02	9	438 4832-01	13	471 7704-01	17
432 0549-36	41	432 1020-01	9	438 5154-01	19	471 7716-15	21
432 0549-45	27	432 1021-01	7	438 5154-01	21	471 7716-16	19
432 0549-47	17	432 1023-01	29	438 5326-01	9	471 7803-21	43
432 0549-48	17	432 1040-02	7	438 5335-01	9	471 7814-02	13
432 0549-61	47	432 1125-01	39	438 5341-01	19	471 7851-03	29
432 0549-63	47	432 1127-02	9	438 7668-02	13	471 7859-11	39
432 0549-65	7	432 1129-01	31	438 9550-51	7	471 7859-11	41
432 0549-78	31	432 1129-01	33	438 9555-01	23	471 7859-16	39
432 0549-78	35	432 1129-01	35	438 9555-01	25	471 7859-16	41
432 0549-89	41	432 1129-01	37	438 9799-02	17	471 7864-01	7
432 0549-90	41	432 3087-11	23	438 9799-03	17	471 7864-01	9
432 0549-91	41	432 3901-01	17	471 2413-21	9	471 7864-01	13
432 0549-96	33	432 3905-01	17	471 2416-83	11	471 7864-01	47
432 0549-96	37	438 0033-01	13	471 2425-28	29	471 7958-01	23
432 0549-97	39	438 0083-01	29	471 2432-25	29	471 7958-01	25
432 0550-04	9	438 0084-03	29	471 2433-14	29	471 7958-02	25
432 0550-05	27	438 0127-01	29	471 2440-10	11	471 7977-01	31
432 0550-06	27	438 0145-13	29	471 2440-10	47	471 7977-01	33
432 0550-07	27	438 0151-01	9	471 2440-12	11	471 7977-01	35
432 0550-08	27	438 0299-01	25	471 2441-06	9	471 7977-01	37
432 0550-10	25	438 0422-01	13	471 2441-44	11	471 8121-01	29
432 0550-11	21	438 0456-01	11	471 2904-01	29	471 8126-23	47
432 0550-12	25	438 0457-01	11	471 2937-01	31	471 8144-17	31
432 0550-13	25	438 0458-01	11	471 2937-01	33	471 8144-17	35
432 0550-15	23	438 0459-01	11	471 2937-01	35	471 8149-11	9
432 0550-16	23	438 0460-02	53	471 2937-01	37	471 8158-03	9
432 0550-20	23	438 0628-01	7	471 4403-02	29	471 8159-06	31
432 0550-22	45	438 0630-01	7	471 4516-03	29	471 8159-06	33
432 0550-40	15	438 0641-01	9	471 4651-24	29	471 8159-06	35
432 0550-46	15	438 0644-01	9	471 4705-02	19	471 8159-06	37
432 0550-66	21	438 0644-03	9	471 4792-01	31	471 8163-01	53
432 0550-87	21	438 0645-01	9	471 4792-01	33	471 8175-01	29
432 0555-02	45	438 0649-01	9	471 4792-01	35	471 8192-01	7
432 0629-01	31	438 0654-01	11	471 4792-01	37	471 8192-01	47
432 0629-01	33	438 0658-01	7	471 4792-01	49	471 8210-01	51
432 0629-01	35	438 0664-10	11	471 5103-05	29	471 8210-02	51
432 0629-01	37	438 0665-01	13	471 5511-01	13	471 8210-03	51
432 0630-01	9	438 0665-04	13	471 5516-02	13	471 8210-11	51
432 0631-01	39	438 0666-02	13	471 5523-00	13	471 8210-12	51
432 0631-01	41	438 0670-21	11	471 5525-01	13	471 8210-21	51
432 0632-01	25	438 0670-22	11	471 5631-00	13	471 8210-22	51
432 0632-02	25	438 0672-01	11	471 6657-15	51	471 8210-31	51
432 0633-01	25	438 0676-01	9	471 6657-16	51	471 8210-32	51
432 0635-01	23	438 0680-01	47	471 6657-17	51	471 8210-51	51
432 0636-01	23	438 0688-01	29	471 6657-18	51	471 8210-52	51
432 0639-01	41	438 0689-01	29	471 6657-19	51	471 8210-63	31
432 0641-04	15	438 0690-01	29	471 6657-20	51	471 8210-63	33
432 0647-02	7	438 0691-01	29	471 6657-21	51	471 8210-63	35
432 0648-01	7	438 0692-01	29	471 6695-95	51	471 8210-63	37
432 0809-01	25	438 0694-01	47	471 6860-15	49	471 8234-92	49
432 0925-01	45	438 0695-01	47	471 6860-16	49	471 8234-94	49
432 0926-01	45	438 4088-01	19	471 6860-17	49	471 8234-95	49
432 0927-01	19	438 4100-01	11	471 6860-18	49	471 8234-96	49
432 0928-01	21	438 4101-01	11	471 6860-19	49	471 8234-98	49
432 0929-01	7	438 4118-01	47	471 6860-20	49	471 8236-52	49

## Numerical index/Numerical index

Art.No/Réf. article	Page/Page	Art.No/Réf. article	Page/Page	Art.No/Réf. article	Page/Page	Art.No/Réf. article	Page/Page
471 8236-56	49	471 8781-03	41	725 2632-51	7		
471 8236-57	49	471 8781-11	39	731 2314-42	53		
471 8236-60	49	471 8781-11	41	731 2316-42	13		
471 8236-62	49	471 8792-01	25	732 2112-01	45		
471 8236-64	49	471 8793-01	21	732 2118-01	11		
471 8236-65	31	471 8812-01	47	732 2122-01	7		
471 8236-65	33	471 8859-06	23	732 2122-01	15		
471 8236-65	35	471 8859-06	25	732 2122-01	17		
471 8236-65	37	471 8988-04*	19	732 2124-01	7		
471 8236-65	49	471 8995-01	25	732 3116-14	13		
471 8236-66	49	471 8995-02	25	734 1153-09	13		
471 8236-68	49	471 8995-03	25	734 1164-01	11		
471 8279-04	47	471 8997-02	21	734 1164-01	15		
471 8320-05	11	471 9004-75	19	734 1178-01	7		
471 8340-26	19	471 9004-75	21	734 1178-01	11		
471 8340-26	21	471 9219-38	47	734 1178-01	15		
471 8341-17	45	471 9222-59	11	734 1186-01	7		
471 8341-24	45	471 9529-10	23	735 3126-01	13		
471 8341-46	7	471 9529-10	25	735 3173-10	11		
471 8341-46	11	471 9550-14	9	736 2816-51	29		
471 8341-50	13	471 9550-19	9	736 2816-51	31		
471 8341-85	13	471 9558-11	23	736 2816-51	33		
471 8342-11	43	471 9578-50	15	736 2816-51	35		
471 8342-11	45	471 9628-22	21	736 2816-51	37		
471 8342-13	23	471 9628-32	21	736 2825-51	11		
471 8342-44	43	471 9628-33	21	736 2825-51	29		
471 8346-01	53	471 9628-90	21	736 2825-51	31		
471 8356-08	15	471 9654-03	45	736 2825-51	33		
471 8356-08	17	471 9743-03	15	736 2825-51	35		
471 8401-01	53	471 9743-04	17	736 2825-51	37		
471 8410-01	19	471 9771-05	27	736 2828-51	53		
471 8502-10	15	471 9773-01	27	736 2831-51	29		
471 8502-10	17	471 9774-02	27	736 2837-51	29		
471 8551-03	11	472 5763-09	19	736 2840-51	29		
471 8608-00	47	472 5775-01	21	736 2846-51	29		
471 8623-01	31	472 6001-51	53	736 2849-51	29		
471 8623-01	33	472 6001-52	53	744 3115-06	47		
471 8623-01	35	472 6001-53	53	762 1191-10	9		
471 8623-01	37	472 6002-05	53	762 1209-10	9		
471 8628-51	11	472 6003-01	53	762 3211-01	23		
471 8641-01	9	472 6004-01	53	762 3211-01	25		
471 8644-03	53	472 6005-01	53	762 3231-01	23		
471 8682-02	31	472 6005-02	53	762 3231-01	25		
471 8682-02	35	472 6005-10	53	762 3231-01	39		
471 8682-03	31	472 6005-11	53	762 3251-01	25		
471 8682-03	35	472 6006-01	53	762 9105-05	31		
471 8693-12	31	472 6149-06	11	762 9105-05	33		
471 8693-12	33	472 6529-11	11	762 9105-05	35		
471 8693-12	35	472 6756-01	53	762 9105-05	37		
471 8693-12	37	472 6761-01	31	877 5211-08	31		
471 8693-21	31	472 6761-01	33	877 5211-08	33		
471 8693-21	33	472 6761-01	35	877 5211-08	35		
471 8693-21	35	472 6761-01	37	877 5211-08	37		
471 8693-21	37	472 8754-12	29				
471 8750-11	39	472 9187-01	43				
471 8750-11	41	472 9901-33	43				
471 8750-22	27	472 9902-46	11				
471 8756-51	39	472 9902-59	53				
471 8756-51	41	472 9903-43	13				
471 8759-01	39	472 9911-10	11				
471 8759-01	41	472 9911-11	11				
471 8781-01	39	472 9913-22	7				
471 8781-01	41	725 2366-61	11				
471 8781-02	39	725 2453-51	15				
471 8781-02	41	725 2536-51	7				
471 8781-03	39	725 2540-51	11				





## **WASCOMAT**

461 Doughty Blvd., Inwood, L.I., N.Y. 11096-0338

Telephone: 516-371-4400

Parts and Service FAX: 516-371-4029

Sales and Administration FAX: 516-371-4204