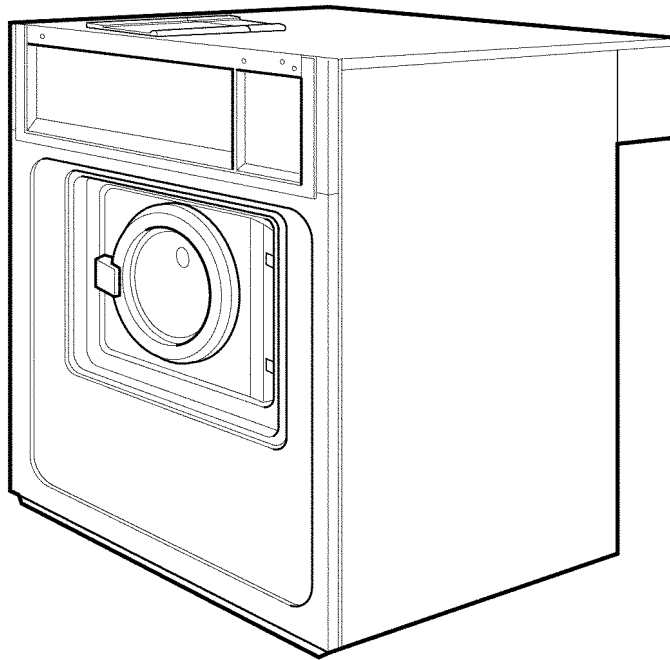


WASCOMAT

Spare Parts Catalogue
Reservdelskatalog



EX-15, EX-25

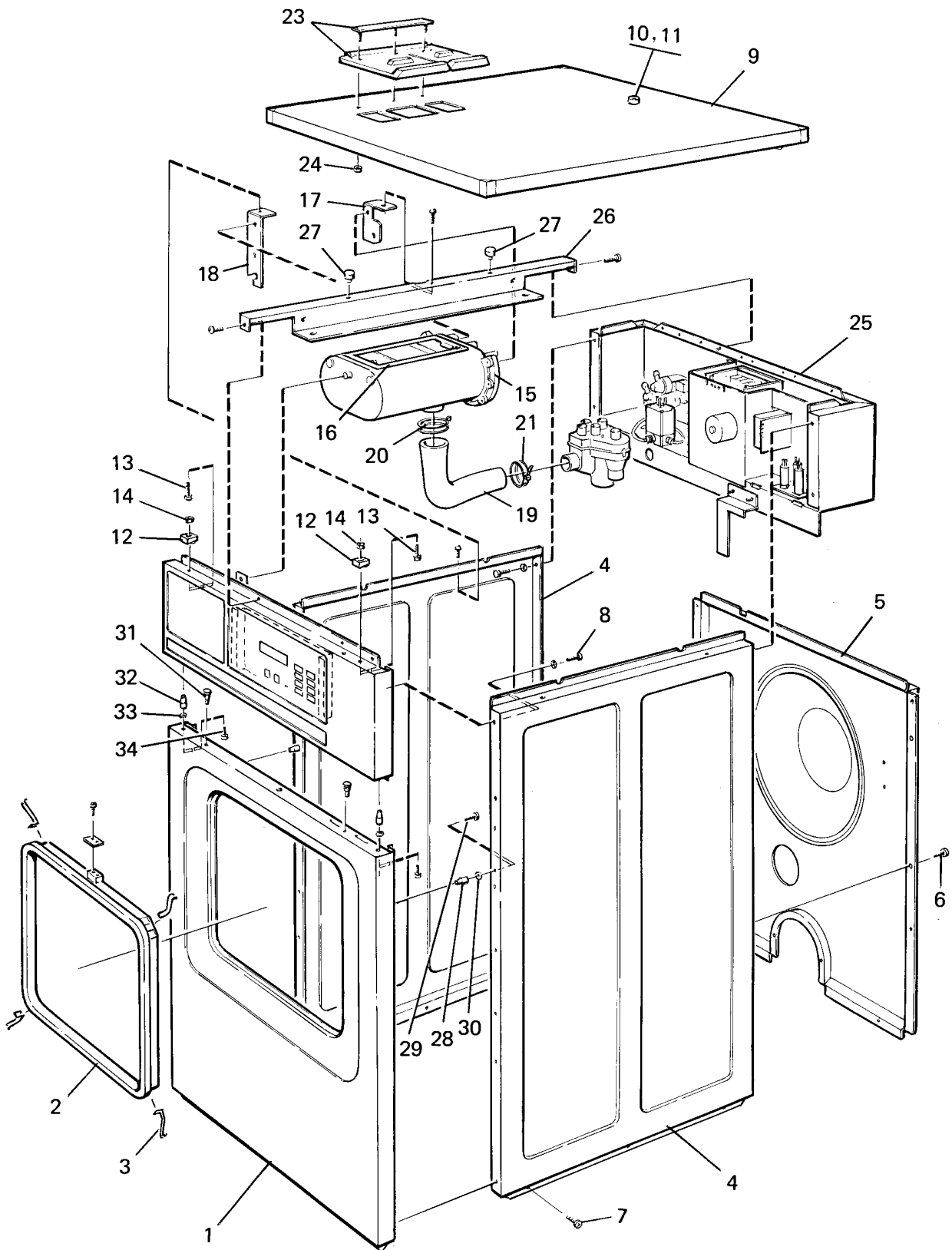
List of issues

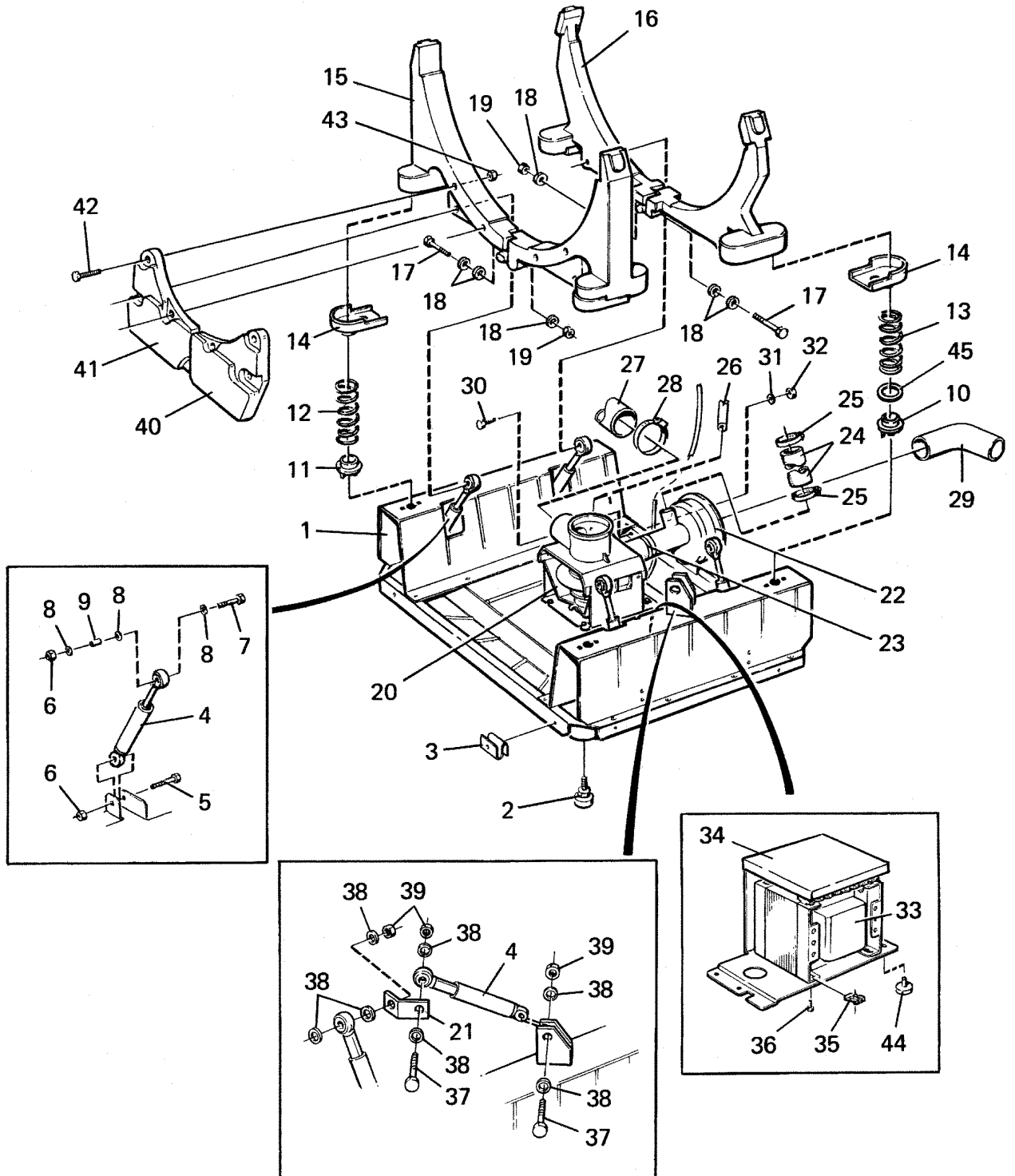
EX-15,EX-25

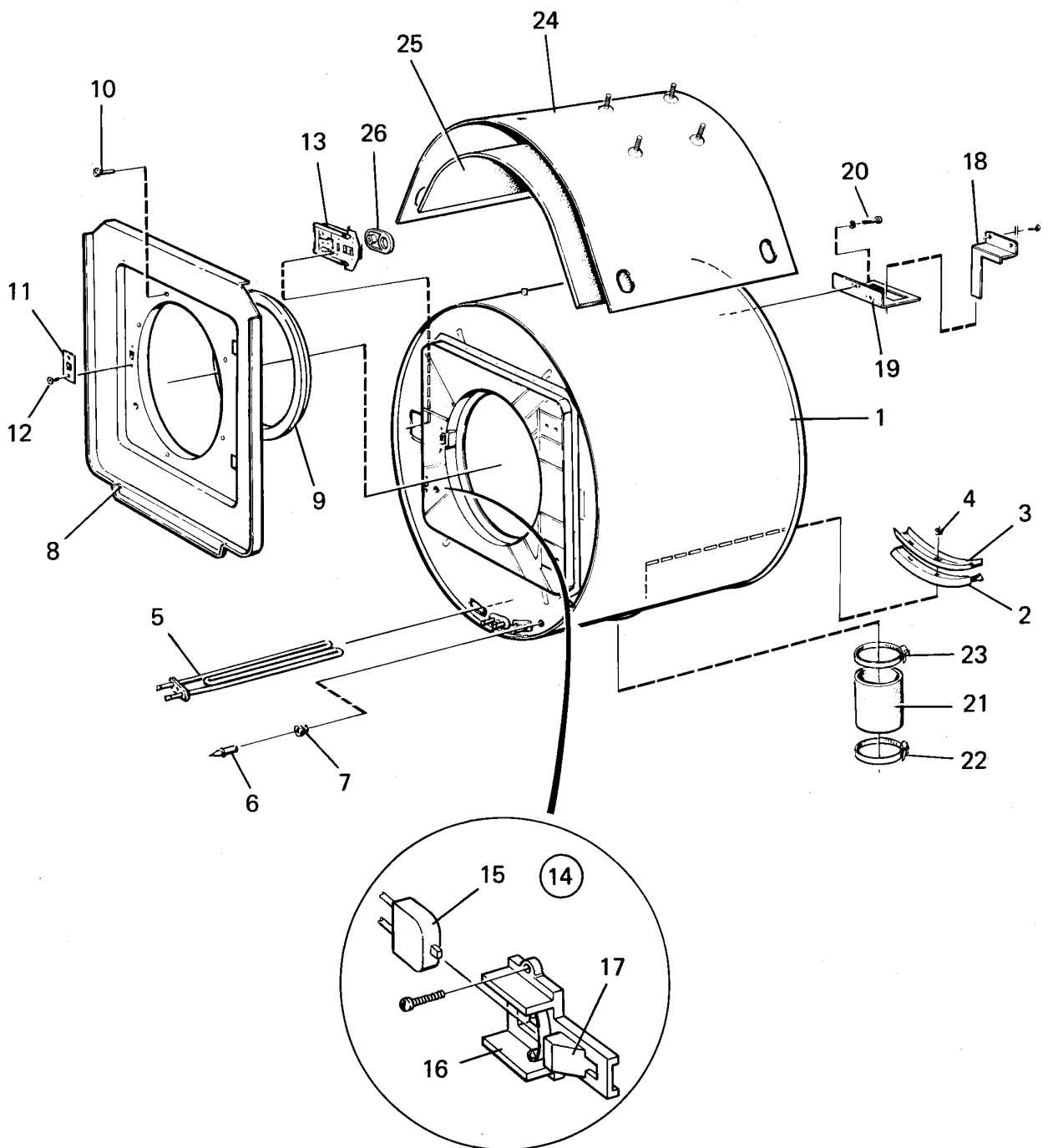
Illustration	Page	Table of contents
100230	37	Drain valve
100546	19	Back plate with inner drum
100771	39	Drain valve
100797	43	Inlet valve 3/4", 3-way
100798	41	Inlet valve 3/4", 2-way
101348	9	Counterweights and base
101349	11	Outer drum
101350	7	Panels
101351	21	Control panel
101352	25	Door and door lock
101353	15	Back plate with inner drum
101354	27	Water alternatives
101355	29	Steam components
101356	31	Coin meter components
101357	33	Pump unit
101358	23	Electric components
101362	13	Motor
101368	45	Detergent dispenser
101378	35	Cables
101476	17	Back plate with inner drum

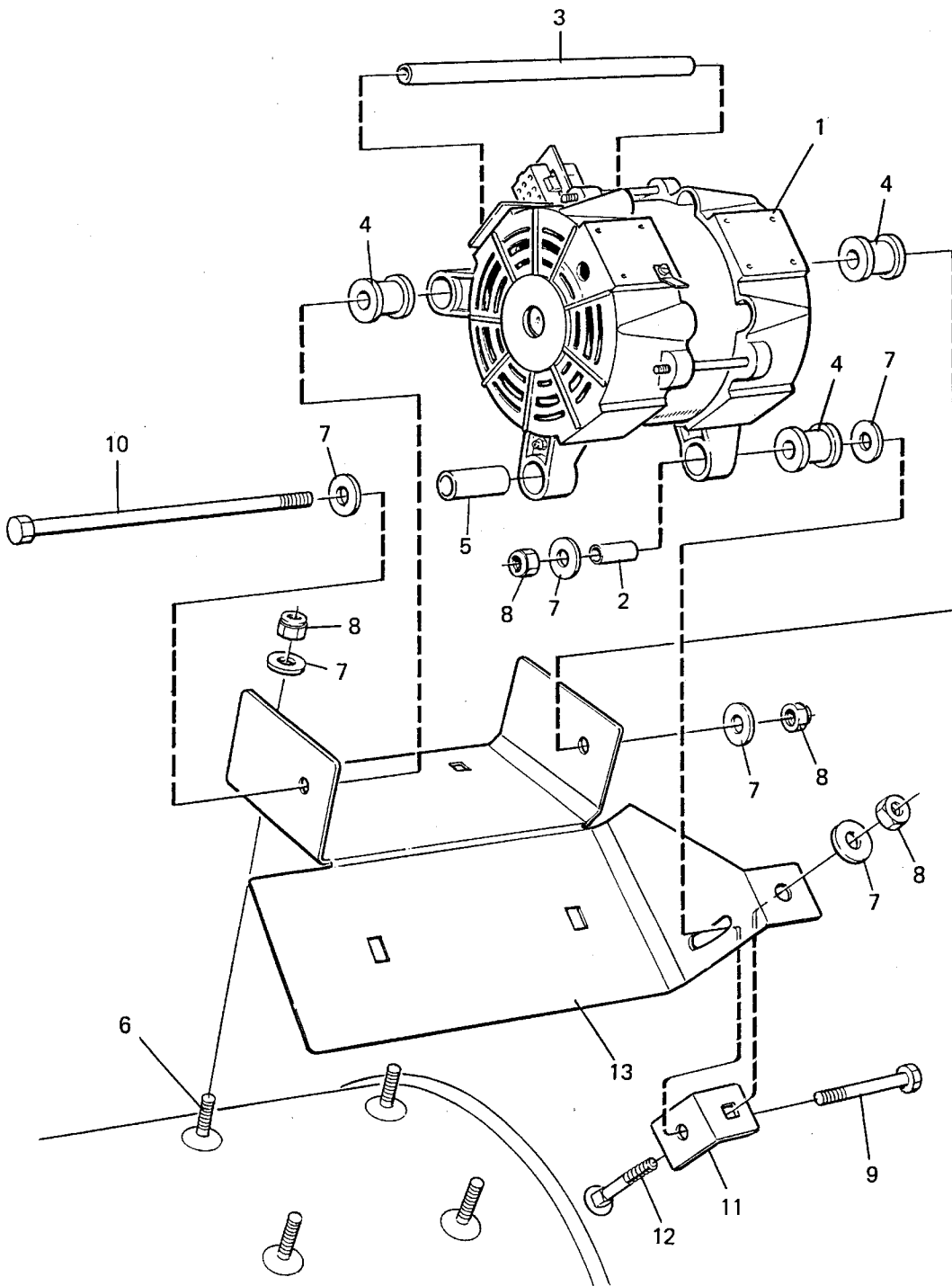
EX-15,EX-25

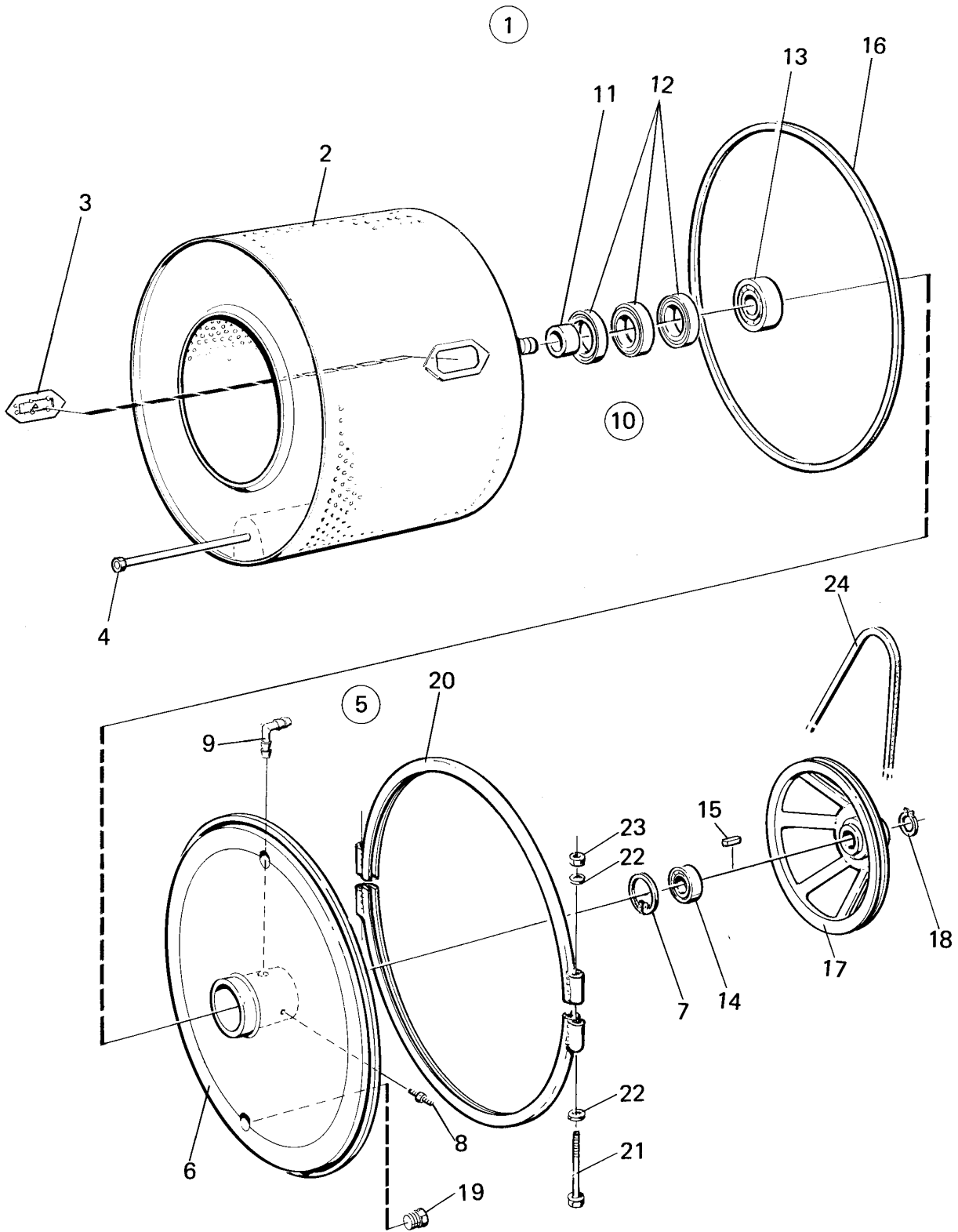
Table of contents	Innehållsförteckning	Page/Sida
Panels	Paneler	7
Counterweights and base	Motvikter och stativ	9
Outer drum	Yttertrumma	11
Motor	Motor	13
Back plate with inner drum	Bakgavel med innertrumma	15
Back plate with inner drum	Bakgavel med innertrumma	17
Back plate with inner drum	Bakgavel med innertrumma	19
Control panel	Manöverpanel	21
Electric components	Eldetaljer	23
Door and door lock	Lucka och lucklås	25
Water alternatives	Vattenalternativ	27
Steam components	Ångdetaljer	29
Coin meter components	Myntmätardetaljer	31
Pump unit	Pumpenhet	33
Cables	Kablage	35
Drain valve	Avloppsventil	37
Drain valve	Avloppsventil	39
Inlet valve 3/4", 2-way	Tilloppsventil 3/4",2-vägs	41
Inlet valve 3/4", 3-way	Tilloppsventil 3/4",3-vägs	43
Detergent dispenser	Tvättmedelsautomat	45











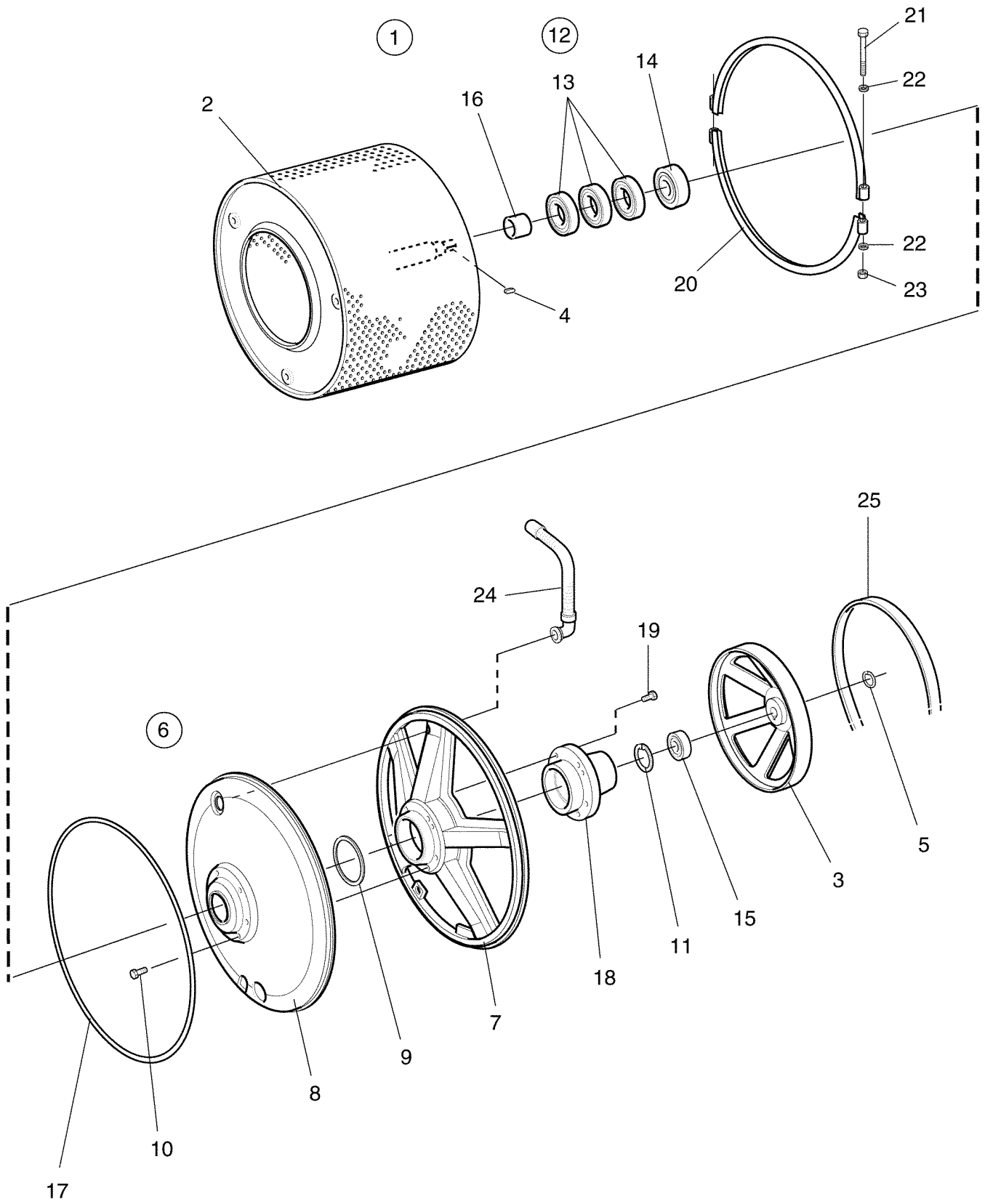
EX-15 -97/61979

Back plate with inner drum

Bakgavel med innertrumma

Illustration Issue Month Year
Illustration Utgåva Månad År
101353 2 4 1997

Item Pos.	Qua Ant.	Art.No Art.nr	Description	Benämning	Info Info	Notes Anmärkning
1	1	438 6028-22	Drum, rear gable	Trumma,bakgavel	1	COMPL. EL.HEATED
	1	438 6028-21	Drum, rear gable	Trumma,bakgavel	1	COMPL. STEAM HEATED, HOT WATER
2	1	472 9772-21	•Inner drum	•Innertrumma	1	
3	1	472 9768-01	••Door	••Lucka	1	
4	3		••	••	3	
5	1		•Back plate	•Bakre gavel	1	COMPL. EL.HEATED
	1		•Back plate	•Bakre gavel	1	COMPL. STEAM HEATED
6	1	438 0445-01	••Back plate	••Bakre gavel	3	Steam heated
	1	438 0445-02	••Back plate	••Bakre gavel	3	EL.HEATED
7	1	735 3148-10	••C-clamp	••Spårring	3	SGH62
8	1	471 2401-52	••Nipple	••Nippel	3	
9	2	471 8628-52	••Pipe	••Rör	3	
10	1	472 9902-35	••Repair kit	••Renoveringssats	1,2	
11	1		•••Bushing	•••Bussning		
12	3		•••Sealing ring	•••Tätningarring		
13	1		•••Ball bearing	•••Kullager		
14	1		•••Ball bearing	•••Kullager		
15	1	735 9304-01	•••Wedge	•••Kil	1	SMS 2306
16	1	471 2451-79	•••Rubber strip	•••Gummilist	1	
17	1	438 5361-01	Pulley	Remskiva	1	
18	1	735 3130-00	••Circlip	••Segersäkkring	3	SGA 30
19	1	471 9000-59	Plug	Propp	3	
20	2	471 2075-49	Tension strap	Spännband	3	
21	2	471 9222-59	Screw	Skruv	3	M8X140
22	4	471 8502-14	Washer	Bricka	3	BRB 8,4X17
23	2	732 2118-01	Locking nut	Låsmutter	3	M8
24	1	471 7711-01	V-belt	Kilrem	1,2	



EX-15 97/61980-

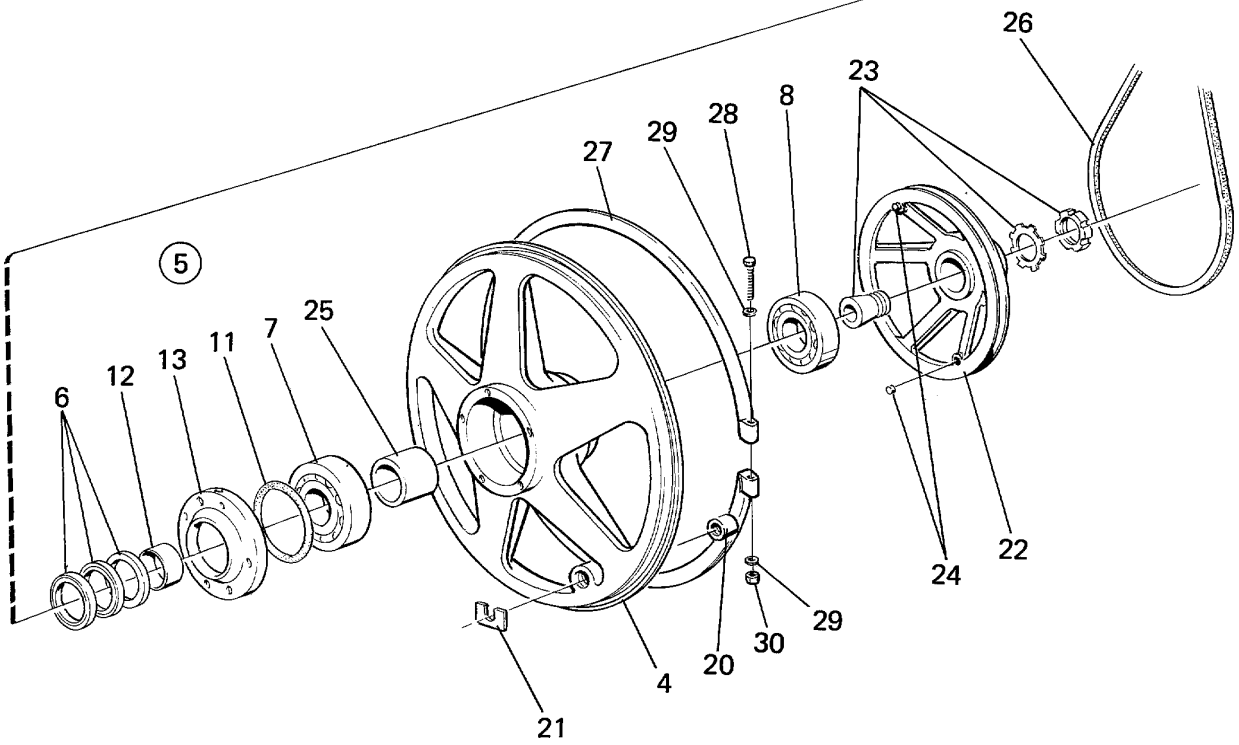
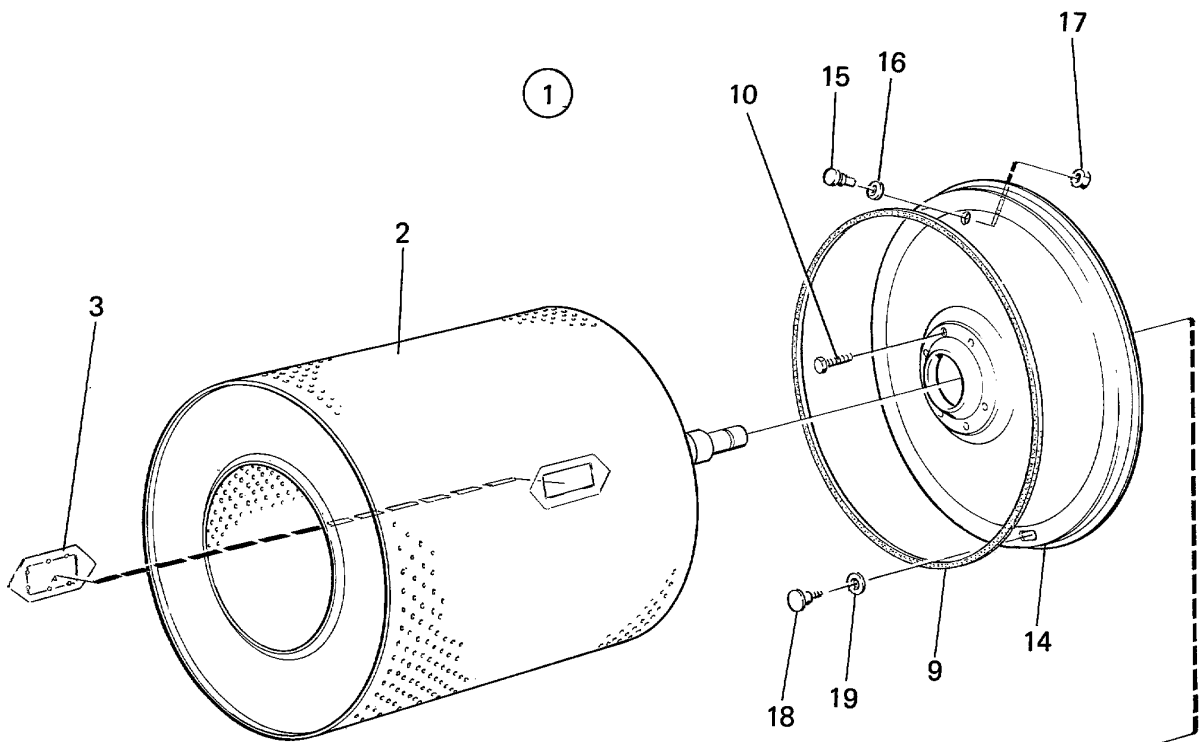
Back plate with inner drum

Illustration Issue Month Year
Illustration Utgåva Månad År

Bakgavel med innertrumma

101476 1 6 1997

Item Pos.	Qua Ant.	Art.No Art.nr	Description	Benämning	Info Info	Notes Anmärkning
1	1	438 5367-01	Back plate	Bakre gavel	1	COMPL. EL,HW
	1	438 5367-02	Back plate	Bakre gavel	1	COMPL.,STEAM
	1	438 5367-03	Back plate	Bakre gavel	1	COMPL. GAS
2	1	472 9772-21	•Inner drum	•Innertrumma	1	
3	1	438 5361-01	•Pulley	•Remskiva	1	
4	1	735 9304-01	•Wedge	•Kil	3	SMS 2306
5	1	735 3128-00	•Circlip	•Segersäkkring	3	SGA28
6	1	472 9902-84	•Back plate	•Bakre gavel	3	EI, HW
	1	472 9902-85	•Back plate	•Bakre gavel	3	Steam
	1	472 9902-86	•Back plate	•Bakre gavel	3	Gas
7	1	438 0480-01	••Back plate	••Bakre gavel	3	
8	1	438 0479-01	••Lining	••Klädselplåt	3	EI, HW
	1	438 0479-02	••Lining	••Klädselplåt	3	Steam
	1	438 0492-01	••Lining	••Klädselplåt	3	Gas
9	1	438 0488-01	••Gasket	••Packning	1	
10	6	471 8320-01	••Screw	••Skruv	3	M6X12
11	1	735 3148-10	••C-clamp	••Spärring	3	SGH62
12	1	472 9902-35	••Repair kit	••Renoveringssats	1,2	
13	3		•••Sealing ring	•••Tätningssring		
14	1		•••Ball bearing	•••Kullager		
15	1		•••Ball bearing	•••Kullager		
16	1		•••Bushing	•••Bussning		
17	1	471 2451-79	•••Rubber strip	•••Gummilist	1	
18	1	438 0481-01	••Bearing housing	••Lagerhus	3	
19	6	725 2542-51	••Screw	••Skruv	3	M12X50
20	2	471 2075-49	••Tension strap	••Spännband	3	
21	2	471 9222-59	••Screw	••Skruv	3	M8X140
22	4	471 8502-14	••Washer	••Bricka	3	BRB 8,4X17
23	2	732 2118-01	••Locking nut	••Låsmutter	3	M8
24	1	438 5191-02	••Hose	••Slang	1	
25	1	471 7711-01	V-belt	Kilrem	1,2	



Issue	Month	Year
05	02	93

EX-25

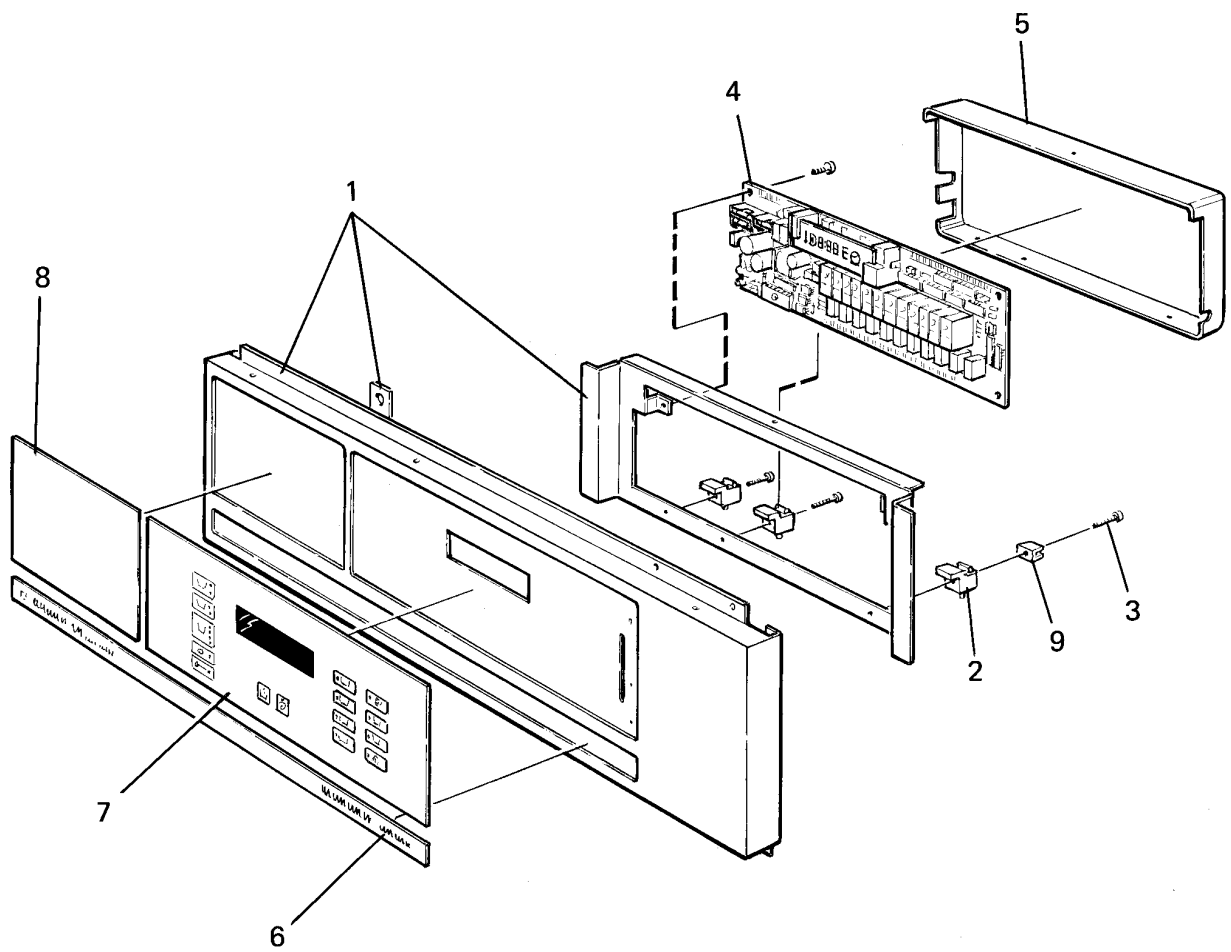
Back plate with inner drum

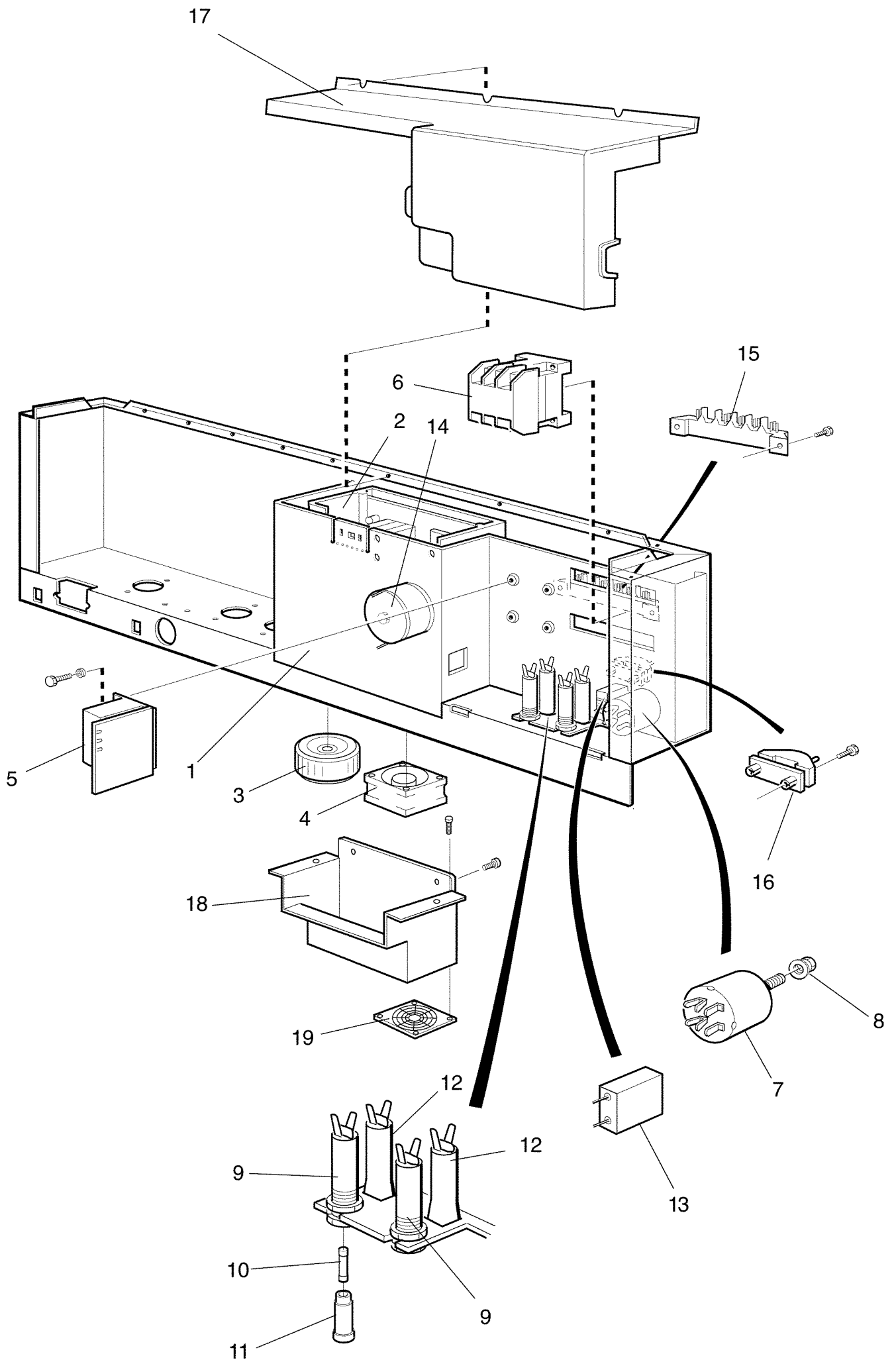
Illustration Issue Month Year
Illustration Utgåva Månad År

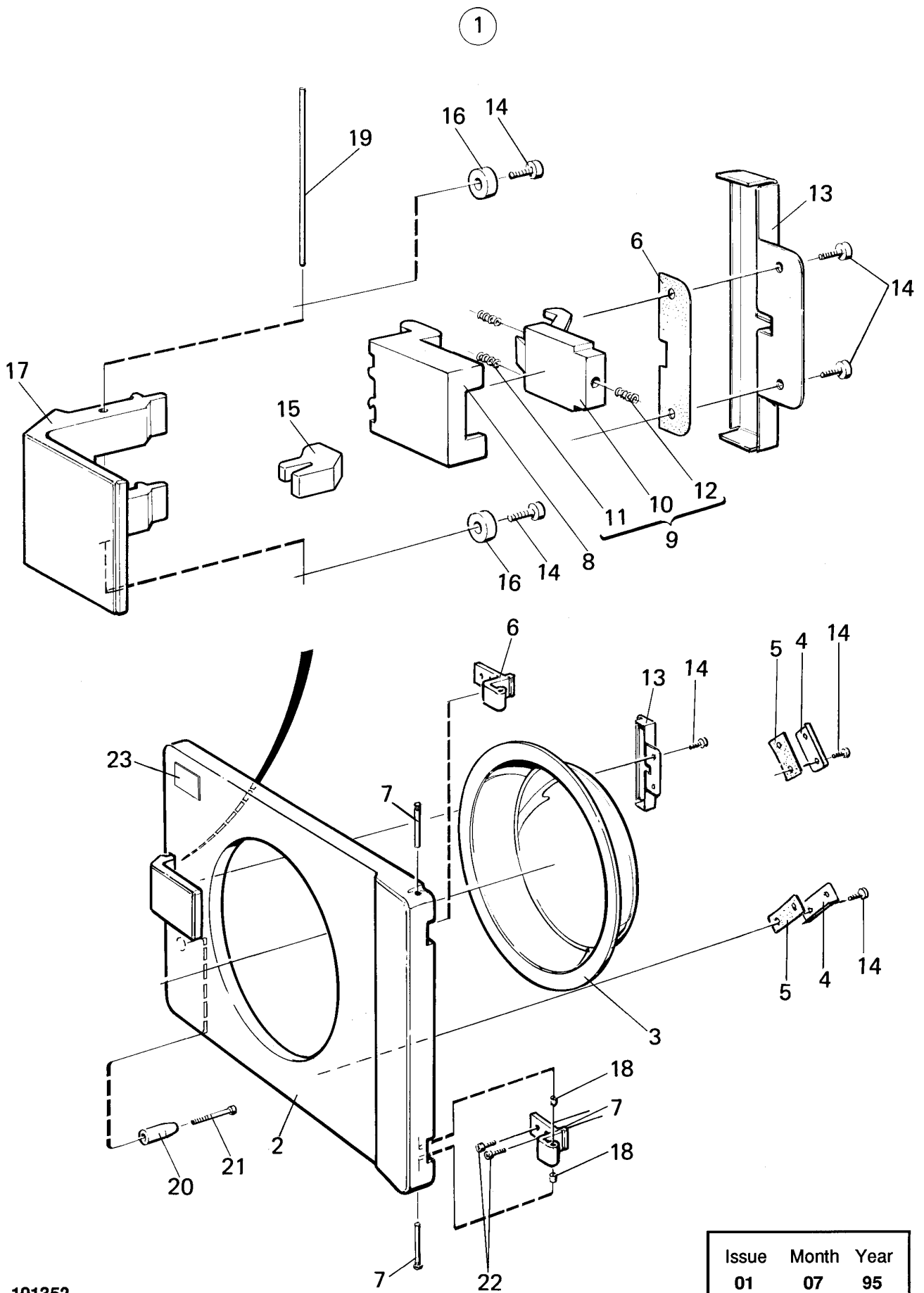
Bakgavel med innertrumma

100546/5 1 3 1996

Item Pos.	Qua Ant.	Art.No Art.nr	Description	Benämning	Info Info	Notes Anmärkning
1	1	472 8822-21	Back plate	Bakgavel	1	COMPL.,STEAM
	1	472 8822-22	Back plate	Bakgavel	1	COMPL.,EL/HOT WATER
2	1	472 8838-21	•Inner drum	•Innertrumma	1	
3	1	472 9768-01	••Door	••Lucka	3	Complete
4	1	472 8827-01	•Back plate	•Bakgavel	1	EL/HOT WATER
	1	472 8827-02	•Back plate	•Bakgavel	1	Steam
5	1	472 9902-16	•Repair kit	•Renoveringssats	1,2	
6	3		••Sealing ring	••Tätningsring		
7	1		••Bearing	••Lager		
8	1		••Bearing	••Lager		
9	1	472 6084-01	••Seal	••Tätning	1,2	
10	6	471 8320-05	••Screw	••Skruv		M6X20
11	1		••O-ring	••O-ring		
12	1		••Bushing	••Bussning	3	
13	1	472 8906-01	•Bearing cover	•Lagerlock	3	
14	1	472 8828-03	•Plate	•Plåt	3	EL/HOT WATER
	1	472 8828-04	•Plate	•Plåt	3	Steam
15	1	438 5541-01	•Nipple	•Nippel	3	
16	1	471 8159-05	•Gasket	•Packning	3	
17	1	741 1115-20	•Nut	•Mutter	3	
18	1	472 8977-01	•Injector	•Injektor	3	Steam
19	1	471 8159-05	•Gasket	•Packning	3	Steam
20	1	741 2113-32	•Muff	•Muff	3	Steam
21	RQ	472 8978-01	•Washer	•Bricka	3	Steam
22	1	438 5361-01	•Pulley	•Remskiva	1	
23	1	471 8551-01	•Sleeve	•Hylsa	3	Complete
24	2	471 9560-01	•Magnet	•Magnet	1,2	
25	1	472 8907-01	•Spacer	•Distans	3	
26	1	471 7711-02	V-belt	Kilrem	1,2	
27	2	471 2075-49	Tension strap	Spännband	3	
28	2	471 9222-59	Screw	Skruv	3	M8X140
29	4	734 1164-01	Washer	Bricka	3	8,4X17
30	2	732 2118-01	Locking nut	Låsmutter	3	M8







101352

Issue	Month	Year
01	07	95

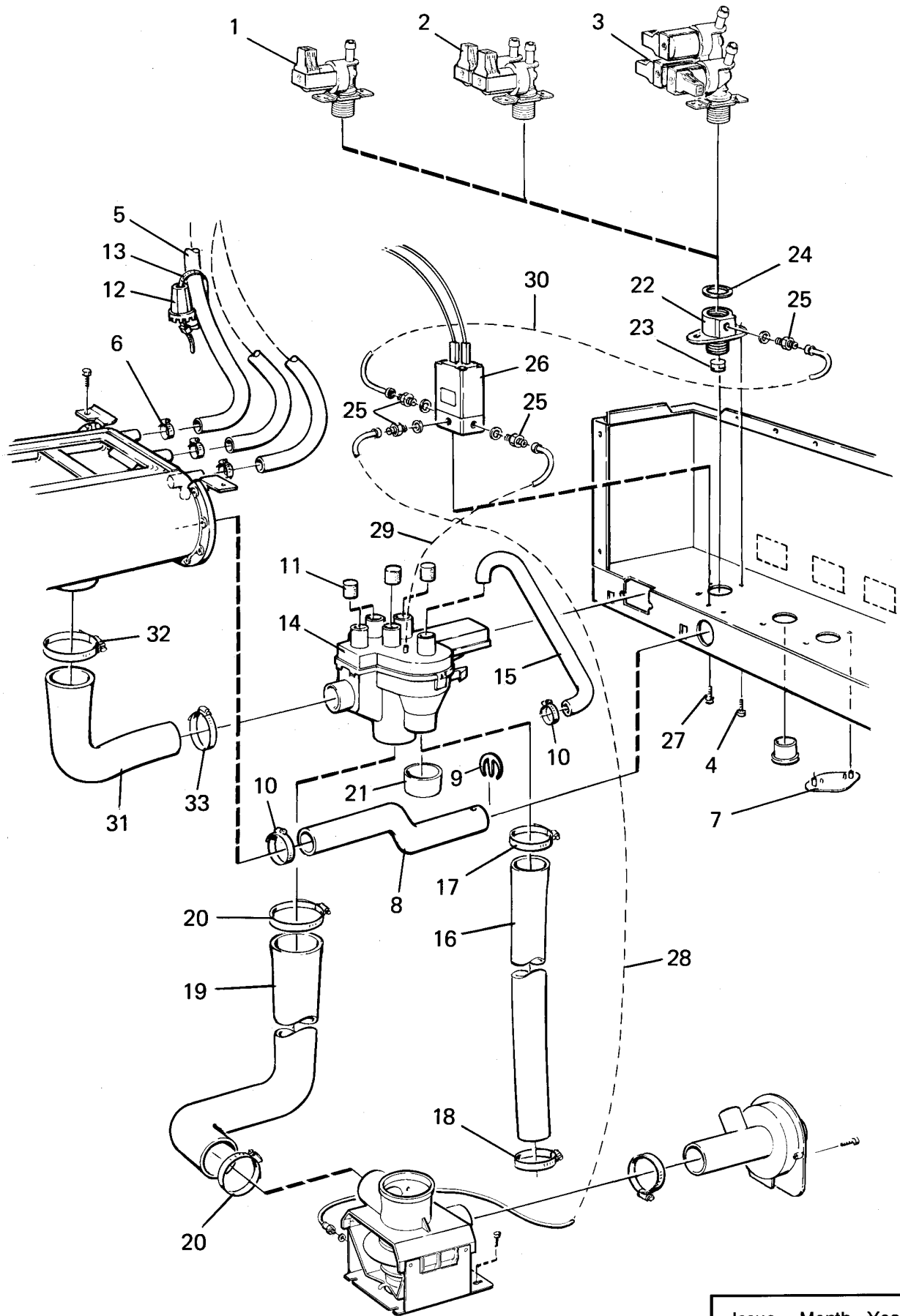
EX-15,EX-25

Door and door lock

Lucka och lucklås

Illustration Issue Month Year
Illustration Utgåva Månad År
101352 2 4 1996

Item Pos.	Qua Ant.	Art.No Art.nr	Description	Benämning	Info Info	Notes Anmärkning
1	1	472 8755-21	Door	Lucka	3	Grey Complete
2	1	472 8725-01	•Door	•Lucka	1	Grey
3	1	471 2408-08	•Door glass	•Luckglas	1,2	
4	2	472 8856-01	•Bracket	•Hållare	3	
5	3	472 8857-01	•Seal	•Tätning	1	
6	2	438 6049-01	•Hinged joint	•Gångled	1	
7	2	472 8762-01	•Shaft	•Axel	1	
8	1	472 8728-01	•Locking component	•Låsdetalj	3	
9	1	471 6700-07	•Spare parts kit	•Reservdelssats	1	CATCH AND SPRINGS
10	1		••Catch	••Hake	1	
11	2		••Pressure spring	••Tryckfjäder	1	
12	1		••Pressure spring	••Tryckfjäder	1	
13	1	472 8811-01	•Bracket	•Fäste	3	
14	8	471 8345-13	•Screw	•Skruv	3	M4X10
15	1	472 9775-01	•Rubber cushion	•Kuts	1	
16	2	472 8734-01	•Capsule	•Kapsel	3	
17	1	472 8729-01	•Handle	•Handtag	1	
18	4	472 8720-01	•Bushing	•Bussning	3	
19	1	471 7903-04	•	•	3	
20	1	472 8786-01	•Guide	•Styrning	3	
21	1	725 5337-01	•Screw	•Skruv	3	MC6S 5X35
22	4	471 8311-00	Screw	Skruv	3	M6SFTT 5X16
23	1	471 7651-82	Warning sign	Varningsskylt	3	English
	1	471 7651-84	Warning sign	Varningsskylt	3	French
	1	471 7651-85	Warning sign	Varningsskylt	3	Spanish



Issue	Month	Year
01	09	95

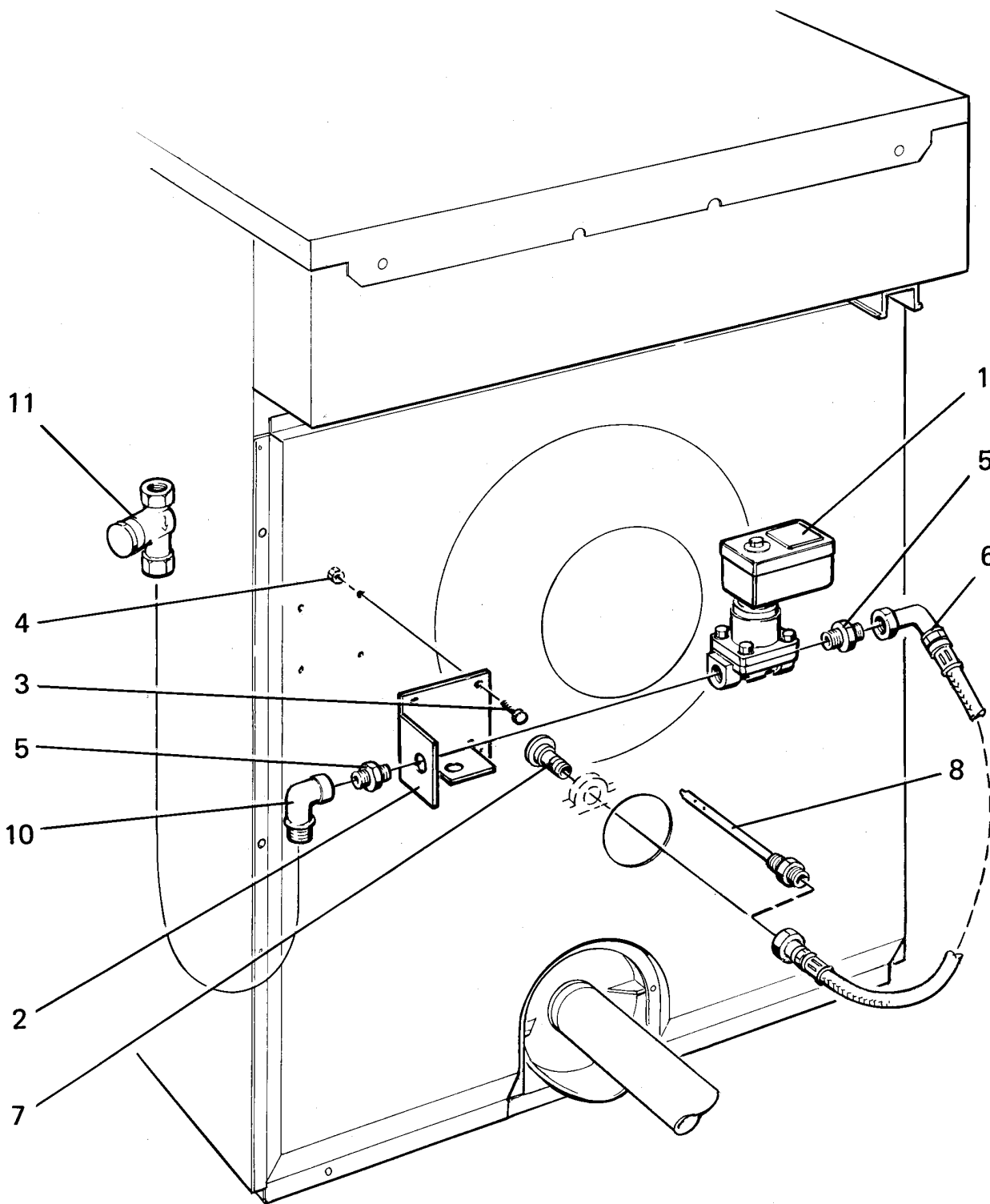
EX-15,EX-25

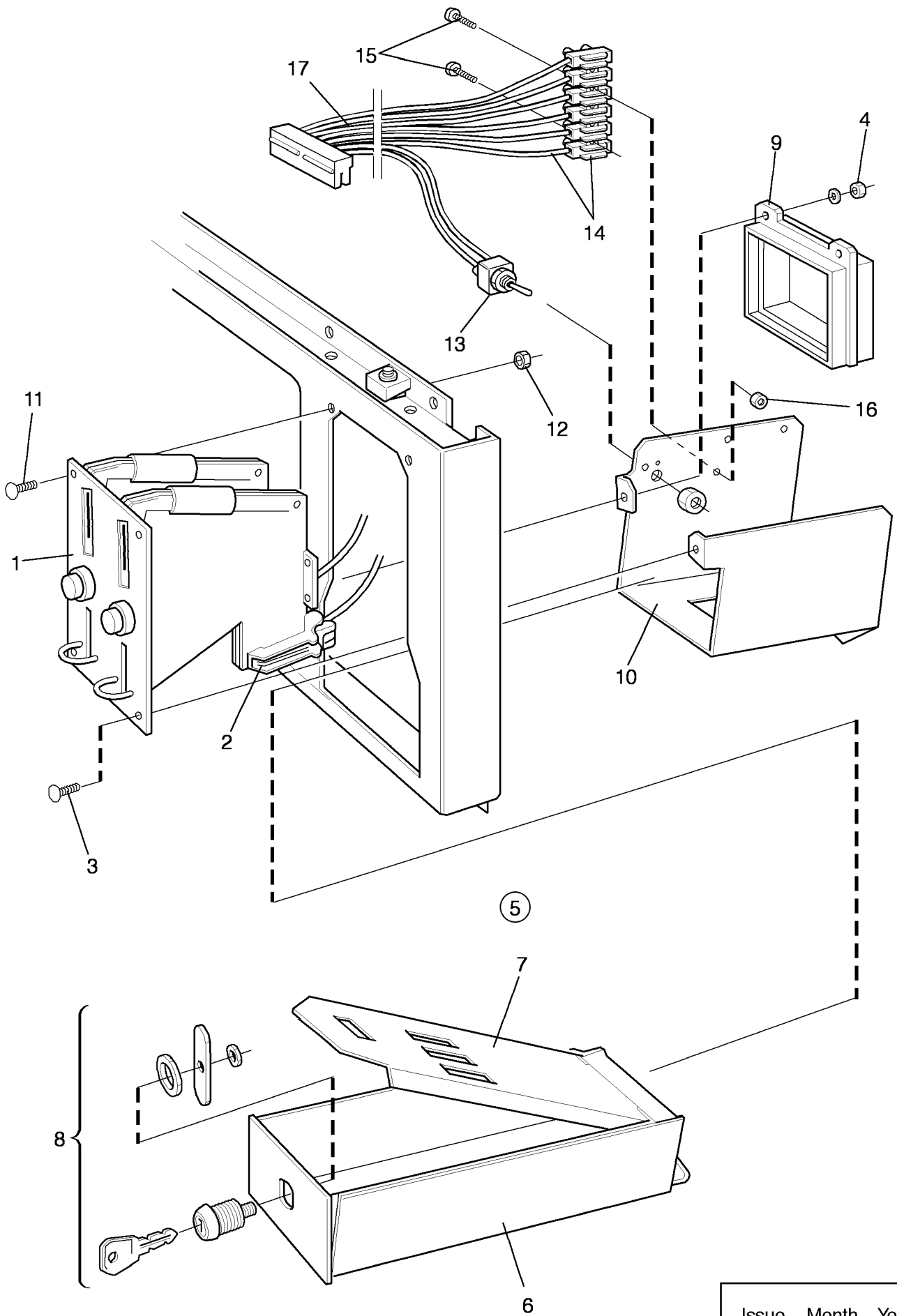
Water alternatives

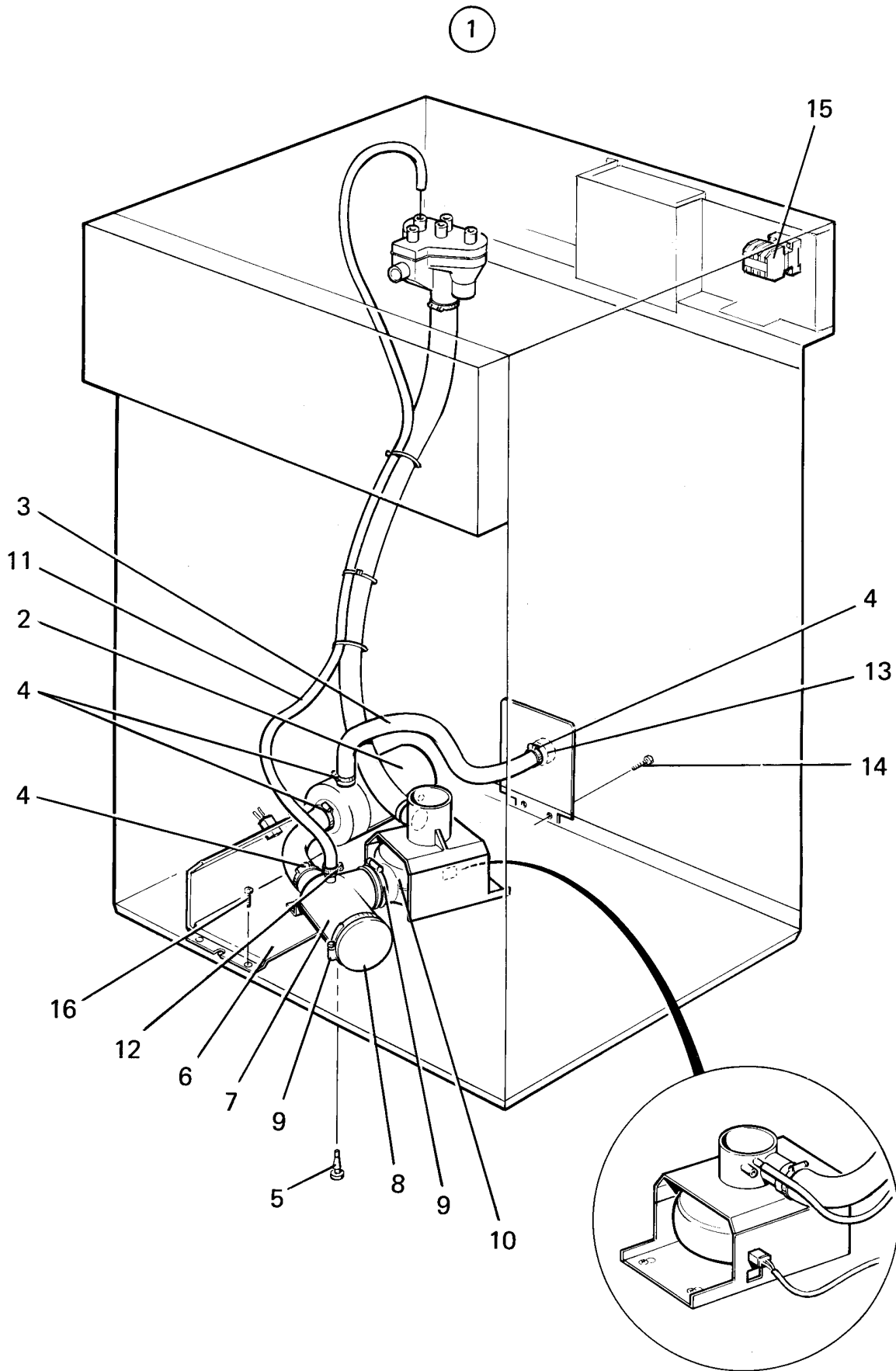
Vattenalternativ

Illustration Issue Month Year
Illustration Utgåva Månad År
101354 2 12 1999

Item Pos.	Quantity Antal	Art.No Art.nr	Description	Benämning	Info Info	Notes Anmärkning
						Not used
1						
2	RQ RQ	471 8235-57	Valve	Ventil	1,2	120V 60Hz 2-way See group US8116
3	RQ RQ	471 8236-66	Valve	Ventil	1,2	EPDM 2, 120V 60Hz 3-way See group US8117
4	RQ RQ	471 8341-11	Screw	Skruv	3	MRT 4X6
5	RQ RQ	877 5211-08	Hose	Slang	1	Per 1 m PER 1M
6	RQ RQ	736 2816-51	Hose clamp	Slangklämma	3	Ø13-19
7	RQ RQ	472 6761-01	Cover washer	Täckbricka	3	
8	1	438 6026-03	Hose	Slang	1	
	1	438 6026-04	Hose	Slang	1	
9	1 1	438 0127-01	Lock	Lås	3	
10	1 1	736 2825-51	Hose clamp	Slangklämma	3	Ø32
11	RQ RQ	471 8175-01	Plug	Plugg	3	
12	1 1	471 4792-01	Tool	Verktyg	3	
13	1 1	762 9105-05	Cable strap	Kabelband	3	
14	1 1	472 8714-01	Siphon breaker	Återsugningsskydd	3	
15	1 1	472 8760-01	Hose	Slang	1	
16	1 1	471 8134-04	Hose	Slang	1	
17	1 1	736 2843-51	Hose clamp	Slangklämma	3	Ø63-73
18	1 1	736 2837-51	Hose clamp	Slangklämma	3	Ø48-54
19	1 1	472 8761-01	Hose	Slang	1	
20	2 2	736 2831-51	Hose clamp	Slangklämma	3	Ø36-42
21	1 1	471 8175-02	Plug	Propp	3	
22	1 1	438 0056-03	Nipple	Nippel	3	Black, 3/4"
	1 1	438 0056-04	Nipple	Nippel	3	White, 3/4", USA USA
23	1 1	471 8234-94	Filter	Filter	3	
24	1 1	471 8199-01	Gasket	Packning	1	
25	4 4	471 8688-13	Nipple	Nippel	3	1/8"
26	1 1	471 8243-04	Solenoid valve	Magnetventil	1,2	
	1 1	471 8243-05	Solenoid valve	Magnetventil	1,2	208-240V 60Hz
	1 1	471 8243-06	Solenoid valve	Magnetventil	1,2	120V 60Hz
27	2 2	471 8341-11	Screw	Skruv	3	MRT 4X6
28	1 1	471 8139-02	Hose	Slang	1	L=1250 L=1250
29	1 1	471 8139-01	Hose	Slang	1	L=330 L=330
30	1 1	471 8139-02	Hose	Slang	1	L=1250 L=1250
31	1	472 8759-01	Hose	Slang	1,2	
	1	472 8845-01	Hose	Slang	1,2	
32	1 1	736 2834-51	Hose clamp	Slangklämma	3	Ø38-48
33	1 1	736 2840-51	Hose clamp	Slangklämma	3	Ø50-63







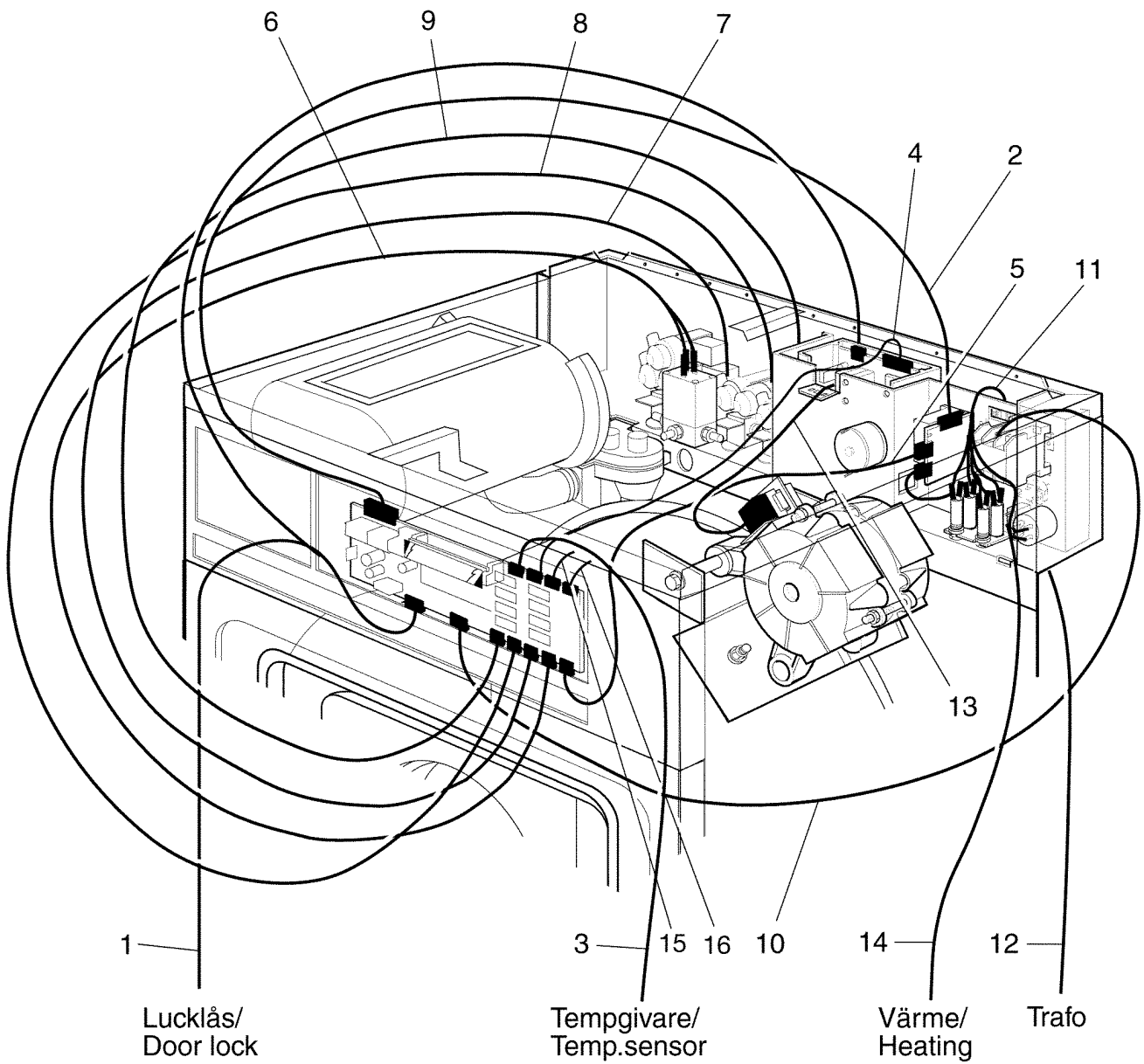
EX-15

Pump unit

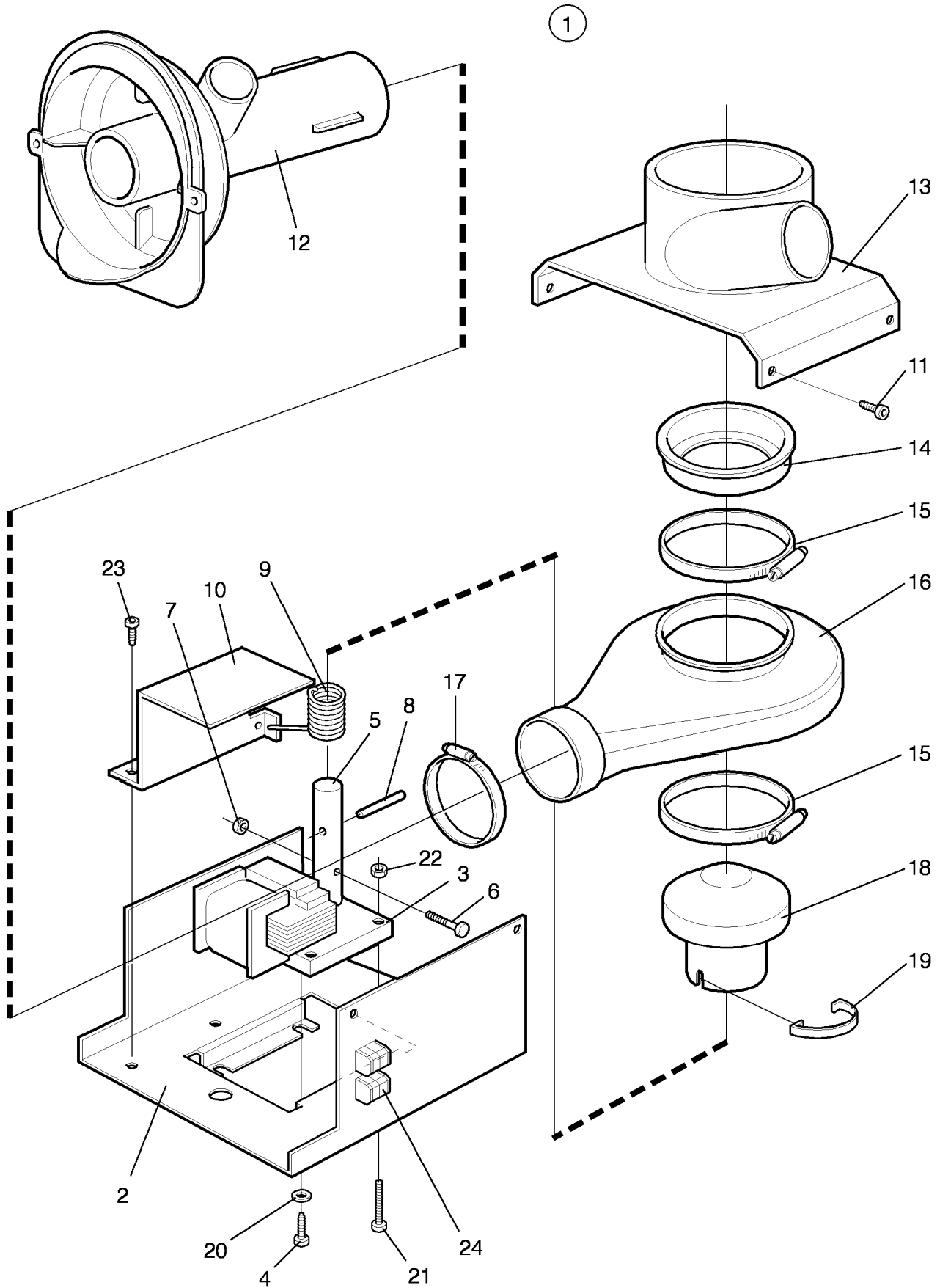
Pumpenhet

Illustration Issue Month Year
Illustration Utgåva Månad År
101357 1 3 1996

Item Pos.	Qua Ant.	Art.No Art.nr	Description	Benämning	Info Info	Notes Anmärkning
1	1	438 4031-05	Pump	Pump	3	230V 50/60Hz
	1	438 4031-06	Pump	Pump	3	120V 60Hz
2	1	472 8268-02	•	•	1,2	
	1	472 8268-03	•	•	1,2	
3	RQ	438 4038-01	•Hose	•Slang	1	
4	4	736 2828-51	•Hose clamp	•Slangklämma	3	
5	3	471 8196-01	•Plug	•Plugg	3	
6	1	438 4026-02	•Support frame	•Fästplatta	3	
7	1	438 4025-01	•Container	•Behållare	3	
8	1	472 6760-01	•Hood	•Huv	3	
9	2	736 2849-51	•Hose clamp	•Slangklämma	3	Ø77-93
10	1	472 8754-03	•Drain valve	•Avloppsventil	1	230V 50Hz
	1	472 8754-04	•Drain valve	•Avloppsventil	1,2	110V 60Hz
11	1	471 8116-03	•Hose	•Slang	1	L=1450 L=1450
12	1	736 2819-51	•Hose clamp	•Slangklämma	3	
13	1	438 4045-01	•Connection	•Anslutning	3	
14	2	471 8340-22	•Screw	•Skruv	3	4,2X9,5
15	1	438 9636-02	•Contactor	•Kontaktor	1,2	50Hz, K3-10
	1	767 5103-09	•Contactor	•Kontaktor	1,2	110V 60Hz
	1	438 9636-03	•Contactor	•Kontaktor	1,2	60Hz, K3-10



Issue	Month	Year
02	10	96



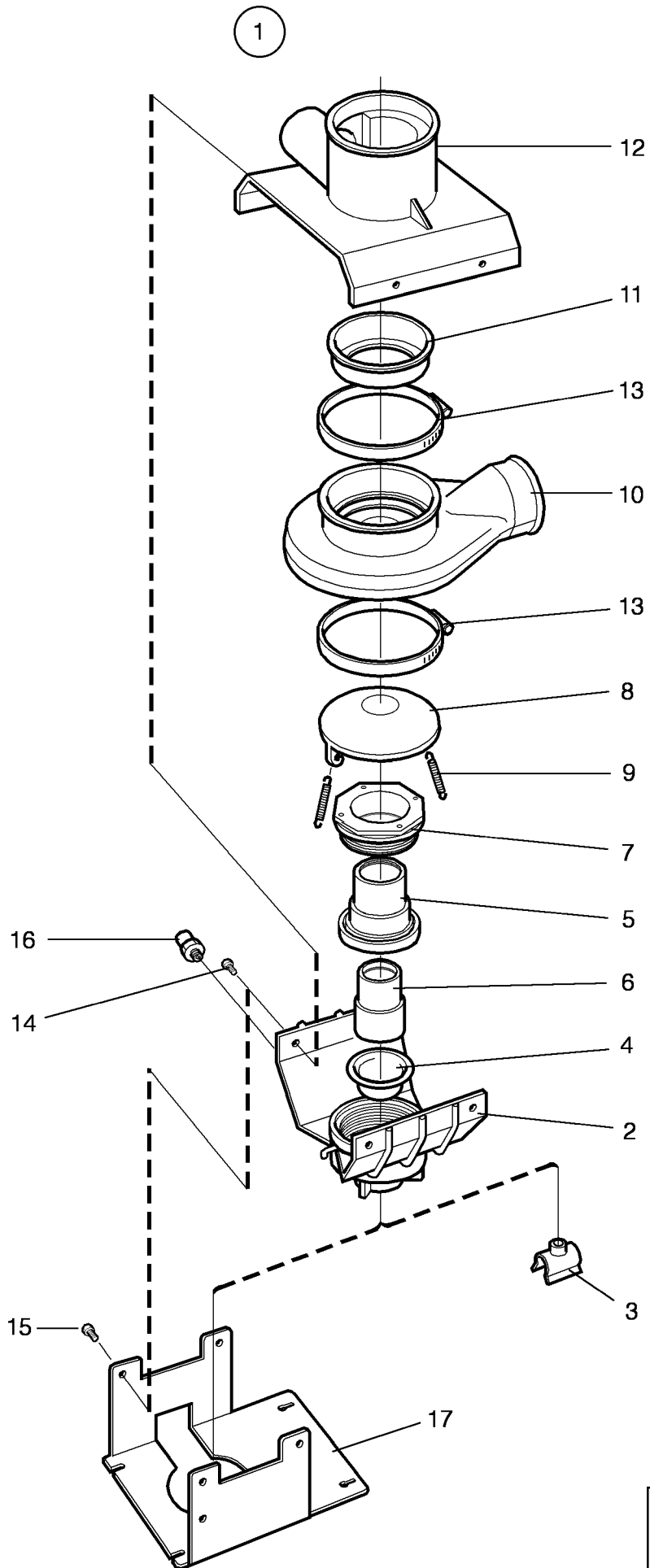
EX-15,EX-25

Drain valve

Avloppsventil

Illustration Issue Month Year
Illustration Utgåva Månad År
100230 2 3 1990

Item Pos.	Qua Ant.	Art.No Art.nr	Description	Benämning	Info Info	Notes Anmärkning
1	1	472 8754-01	Drain valve	Avloppsventil	1	220V 50/60Hz
	1	472 8754-02	Drain valve	Avloppsventil	1	120V 60Hz
2	1	472 8772-01	•Bracket	•Konsol	3	
3	1	471 9727-01	•Motor	•Motor	1,2	220V 50/60Hz With gear
	1	471 9727-02	•Motor	•Motor	1,2	120V With gear
4	3	724 1323-01	•Screw	•Skruv	3	M5X8
5	1	472 6016-00	•Piston	•Kolvstång	1	
6	1	724 1295-01	•Screw	•Skruv	3	M4X20
7	1	732 2112-01	•Locking nut	•Låsmutter	3	M4
8	1	472 6017-00	•Shaft	•Axel	1	
9	1	471 7804-01	•Torsion spring	•Vridfjäder	1,2	
10	1	472 6195-01	•Cover	•Skydd	3	
11	4	471 8317-01	•Screw	•Skruv	3	
12	1	472 8722-01	•Connection	•Stos	1	
13	1	472 6011-00	•Hose connection	•Slanganslutning	3	
	1	472 6011-01	•Hose connection	•Slanganslutning	3	PLUGGED
14	1	472 6012-00	•Rubber ring	•Manschett	1,2	
15	2	471 7851-02	•Hose clamp	•Slangklämma	3	
16	1	472 6013-00	•Hose	•Slang	1,2	
17	1	736 2840-51	•Hose clamp	•Slangklämma	3	Ø50-63
18	1	472 6015-00	•Piston	•Kolv	1	
19	1	472 6147-00	•Spring	•Fjäder	1	
20	2	735 2146-01	•Washer	•Bricka	3	M5
21	1	724 1303-01	•Screw	•Skruv	3	M4X40
22	1	731 2312-01	•Nut	•Mutter	3	M4
23	2	729 5279-01	•Screw	•Skruv	3	RXS B6X9,5
24	2	762 3131-01	•Insulator	•Isolator	3	



Issue	Month	Year
03	10	95

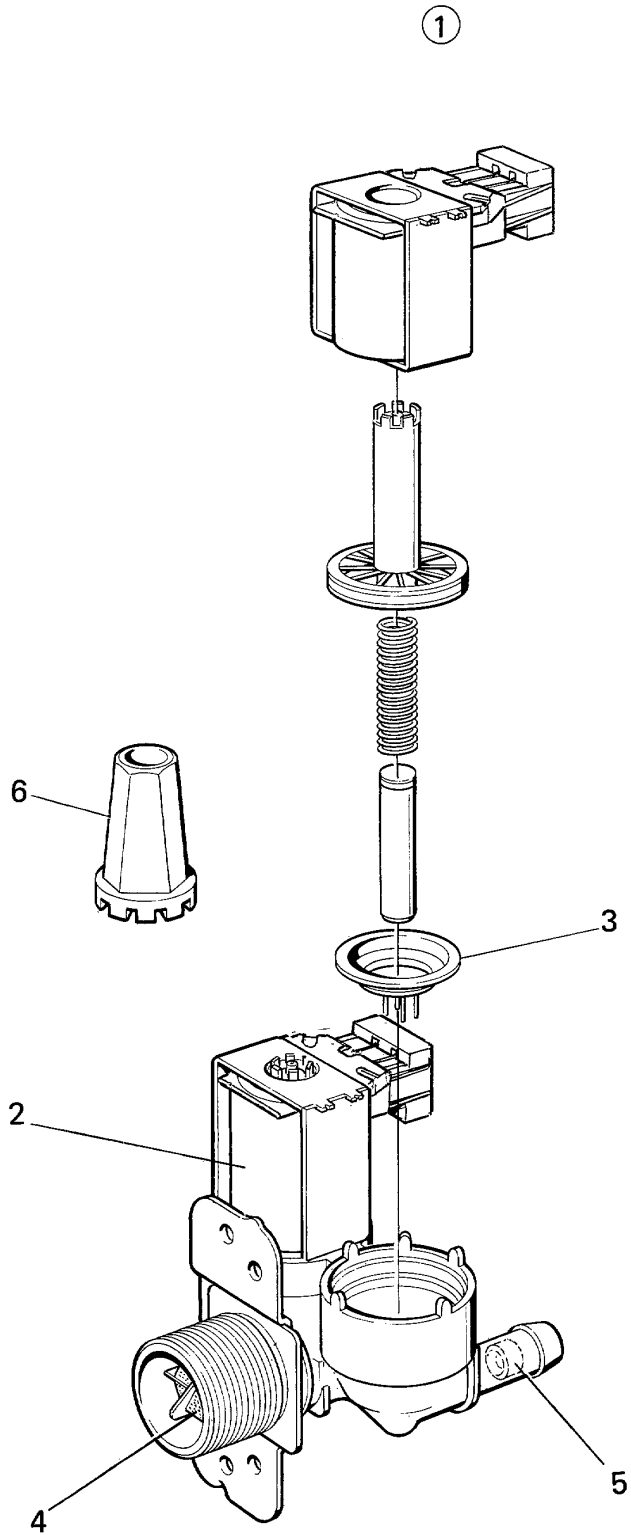
EX-15,EX-25

Drain valve

Avloppsventil

Illustration Issue Month Year
Illustration Utgåva Månad År
100771/3 7 10 2002

Item Pos.	Qua Ant.	Art.No Art.nr	Description	Benämning	Info Info	Notes Anmärkning
1	1	438 0093-01	Drain valve	Avloppsventil	1,2	Complete
2	1	438 0051-01	•Lower frame	•Underdel	3	
3	1	438 0085-01	•Clip	•Clips	3	
4	1	471 8195-01	•Diaphragm	•Membran	1	
5	1	438 0053-01	•Housing	•Hus	3	
6	1	438 0054-01	•Piston	•Kolv	3	
7	1	438 0055-01	•Gland	•Gland	3	
8	1	438 0052-01	•Cover	•Lock	3	
9	2	471 7801-07	•Spring	•Fjäder	3	
10	1	438 0028-01	•Hose housing	•Slanghus	1	
11	1	472 6012-00	•Rubber ring	•Manschett	3	
12	1	472 6011-00	•Hose connection	•Slanganslutning	3	
13	1	471 7851-02	•Hose clamp	•Slangklämma	3	
14	4	471 8317-05	•Screw	•Skruv	3	
15	1	471 8688-13	•Nipple	•Nippel	3	1/8"



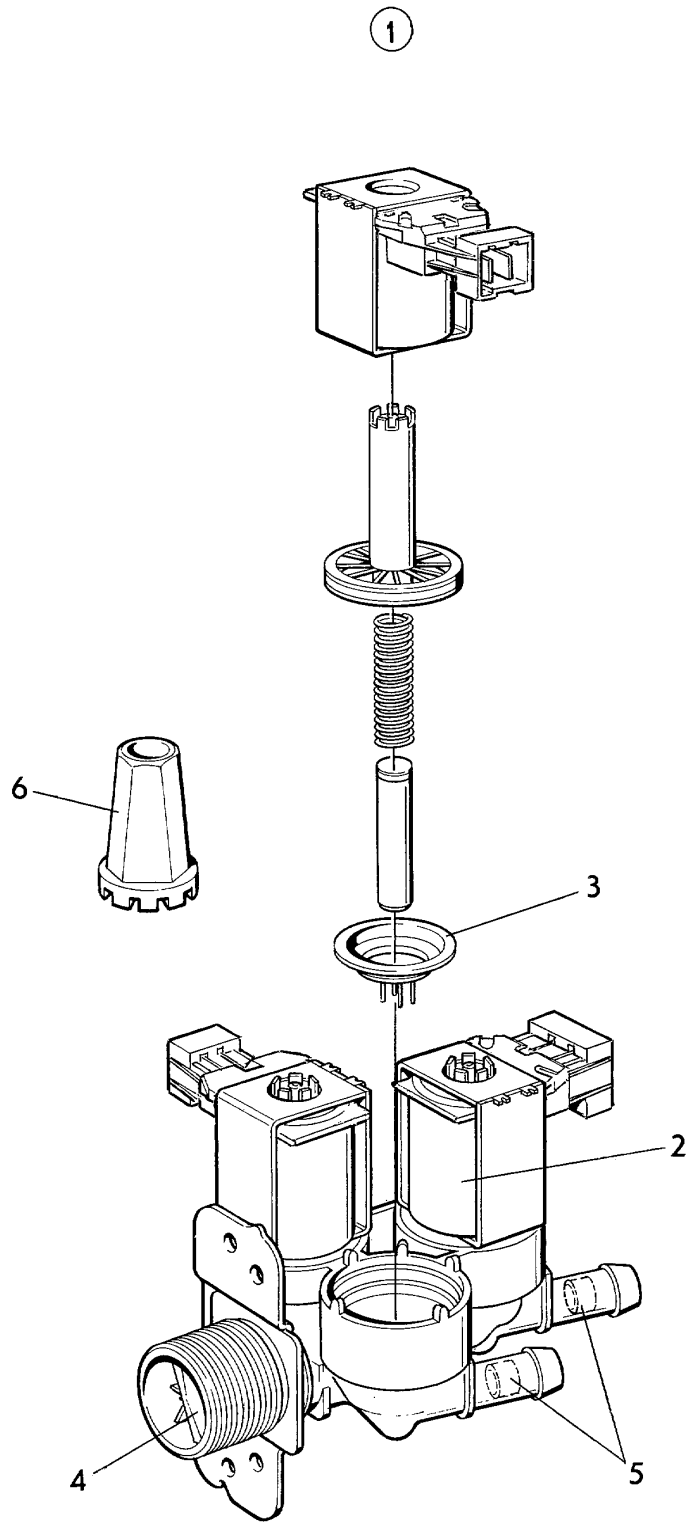
EX-15,EX-25

Inlet valve 3/4", 2-way

Tilloppsventil 3/4",2-vägs

Illustration	Issue	Month	Year
Illustration	Utgåva	Månad	År
100798/1	4	10	2002

Item Pos.	Qua Ant.	Art.No Art.nr	Description	Benämning	Info Info	Notes Anmärkning
1	1	471 8235-51	Valve	Ventil	1,2	208-240V
	1	471 8235-54	Valve	Ventil	1,2	240V 60Hz 2-way USA
	1	471 8235-57	Valve	Ventil	1,2	120V 60Hz 2-way USA
2	1	471 6860-15	•Coil	•Spole	1,2	120V Green
	1	471 6860-16	•Coil	•Spole	1,2	120V Orange
	1	471 6860-17	•Coil	•Spole	1,2	120V White
	1	471 6860-18	•Coil	•Spole	1,2	Green
	1	471 6860-19	•Coil	•Spole	1,2	Orange
	1	471 6860-20	•Coil	•Spole	1,2	White
	1	471 6860-20	•Coil	•Spole	1,2	White
3	1	471 8234-98	•Diaphragm	•Membran	1,2	NITRIL
	1	471 8234-92	•Diaphragm	•Membran	1,2	EPDM
4	1	471 8234-94	•Filter	•Filter	1	
5	1	471 8234-95	•Restrictor	•Strypbricka	3	2,5/min
	1	471 8234-96	•Restrictor	•Strypbricka	3	5,5/min
6	1	471 4792-01	Tool	Verktyg	3	



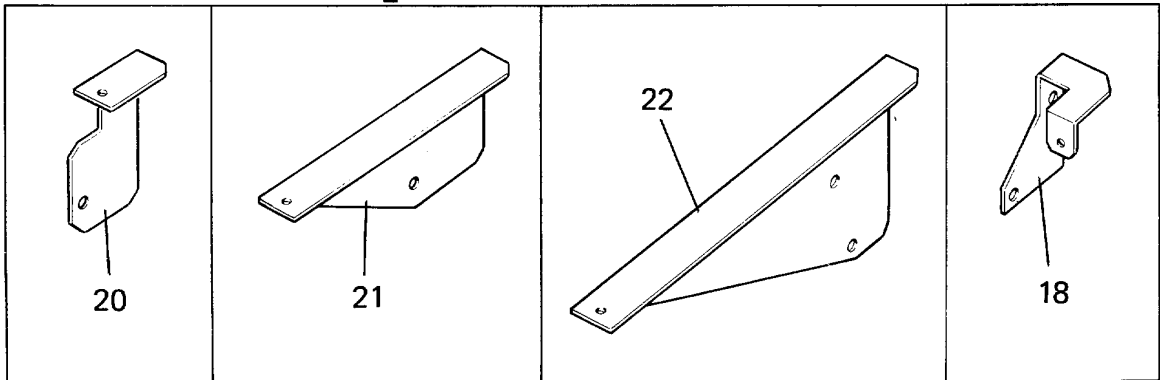
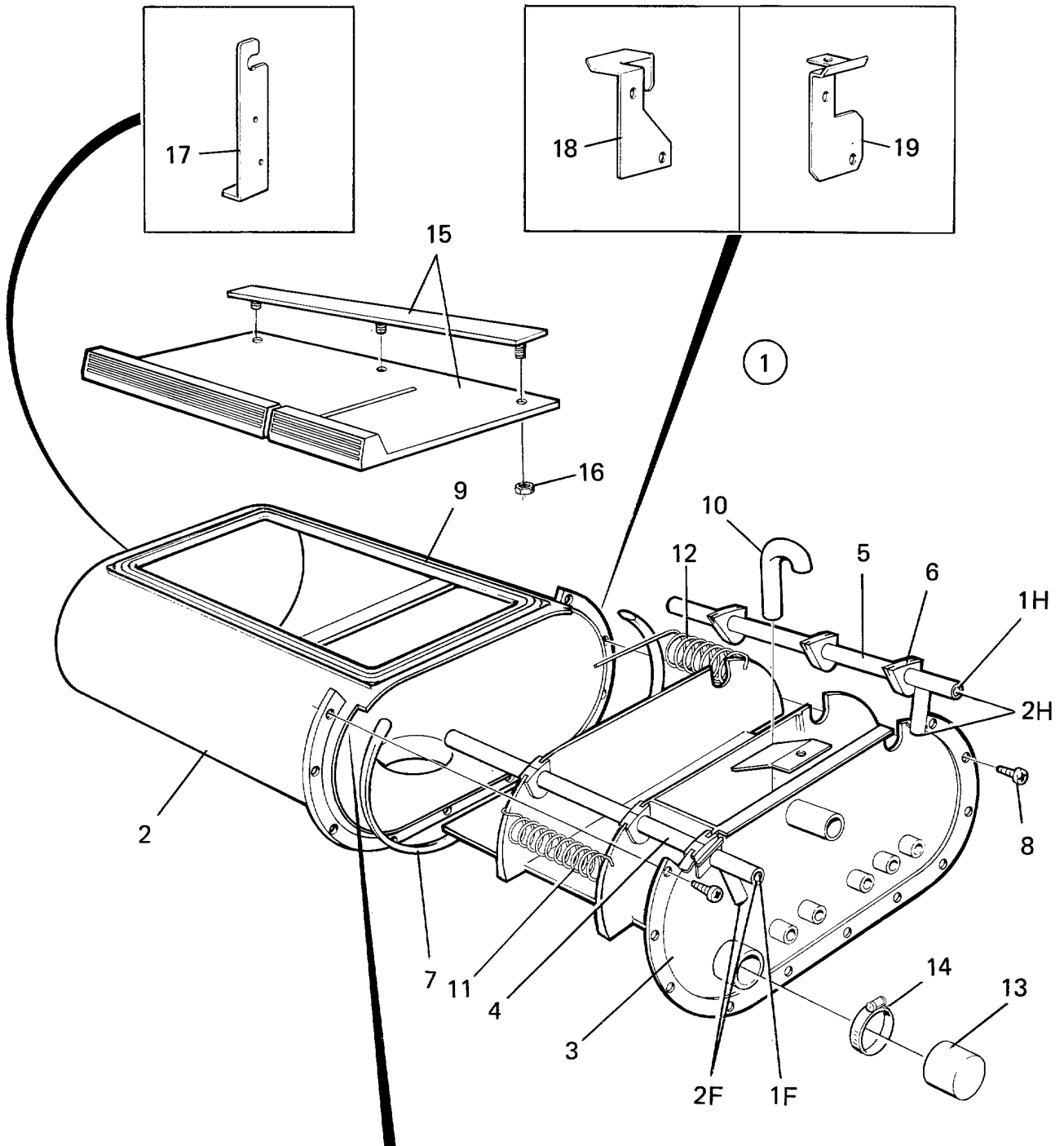
EX-15,EX-25

Inlet valve 3/4", 3-way

Tilloppsventil 3/4",3-vägs

Illustration Issue Month Year
Illustration Utgåva Månad År
100797/1 6 10 2002

Item Pos.	Qua Ant.	Art.No Art.nr	Description	Benämning	Info Info	Notes Anmärkning
1	1	471 8236-52	Valve	Ventil	1,2	208-240V
	1	471 8236-53	Valve	Ventil	1,2	Restriction 5,5/-/l/min 240V 60Hz 3-way USA
	1	471 8236-54	Valve	Ventil	1,2	Restriction 5,5/-/l/min 120V 60Hz 3-way USA
	1	471 8236-59	Valve	Ventil	1,2	Restriction 5,5/-/l/min 3-way
	1	471 8236-66	Valve	Ventil	1,2	EPDM 2, 120V 60Hz 3-way Restriction -/5,5 l/min
2	1	471 6860-15	•Coil	•Spole	1,2	120V Green
	1	471 6860-16	•Coil	•Spole	1,2	120V Orange
	1	471 6860-17	•Coil	•Spole	1,2	120V White
	1	471 6860-18	•Coil	•Spole	1,2	Green
	1	471 6860-19	•Coil	•Spole	1,2	Orange
	1	471 6860-20	•Coil	•Spole	1,2	White
3	1	471 8234-98	•Diaphragm	•Membran	1,2	NITRIL
	1	471 8234-92	•Diaphragm	•Membran	1,2	EPDM USA
4	1	471 8234-94	•Filter	•Filter	1	
5	1	471 8234-95	•Restrictor	•Strypbricka	3	2,5l/min
	1	471 8234-96	•Restrictor	•Strypbricka	3	5,5l/min
6	1	471 4792-01	Tool	Verktyg	3	



Issue	Month	Year
01	05	95

EX-15,EX-25

Detergent dispenser

Tvättmedelsautomat

Illustration Issue Month Year
Illustration Utgåva Månad År
101368 2 4 1996

Item Pos.	Qua Ant.	Art.No Art.nr	Description	Benämning	Info Info	Notes Anmärkning
1	1	472 6001-61	Detergent container	Tvättmedelsbehållare	1,2	1F-1H
2	1	472 6002-05	•Shell	•Hölje	1	
3	1	472 6003-04	•Box	•Låda	1	
4	1	472 6005-10	•Spray head	•Spridare	1	1F 1F
5	1	472 6005-01	•Spray head	•Spridare	1	1H 1H
6	6	472 6004-01	•Grommet	•Genomföring	3	
7	1	471 8163-01	•Gasket	•Packning	3	
8	7	471 8346-01	•Screw	•Skruv	3	
9	1	438 0460-01	•Gasket	•Packning	3	
10	1	472 6006-01	•Siphon	•Hävert	1,2	
11	1	471 7809-02	•Spring	•Fjäder	1	
12	1	471 7808-02	•Spring	•Fjäder	1	
13	1	471 8644-03	Hood	Huv	3	
14	1	736 2828-51	Hose clamp	Slangklämma	3	
15	1	472 9902-59	Cover	Lock	1,2	
	1	472 9900-37	Cover	Lock	1,2	TOP MOUNT LIQUID SUPPLY
16	3	731 2314-42	•Nut	•Mutter	3	M4
17	1	438 5326-01	Bracket	Fäste	3	
18	2	438 4139-01	Bracket	Fäste	3	
19	1	438 0150-01	Bracket	Fäste	3	W/FL 75-185
20	1	438 0151-01	Bracket	Fäste	3	W 75-105
21	1	438 0216-01	Bracket	Fäste	3	W/FL 125
22	1	438 0321-01	Bracket	Fäste	3	W/FL 185

Numerical index/Nummerregister

Art.No/Art.nr	Page/Sida	Art.No/Art.nr	Page/Sida	Art.No/Art.nr	Page/Sida	Art.No/Art.nr	Page/Sida
438 0028-01	39	438 5333-01	11	471 4654-03	11	471 8234-92	43
438 0051-01	39	438 5334-01	11	471 4656-12	11	471 8234-94	27
438 0052-01	39	438 5335-01	7	471 4792-01	27	471 8234-94	41
438 0053-01	39	438 5338-01	21	471 4792-01	41	471 8234-94	43
438 0054-01	39	438 5338-31	21	471 4792-01	43	471 8234-95	41
438 0055-01	39	438 5338-33	21	471 4876-06	31	471 8234-95	43
438 0056-03	27	438 5342-01	7	471 6700-07	25	471 8234-96	41
438 0056-04	27	438 5343-01	7	471 6860-15	41	471 8234-96	43
438 0085-01	39	438 5345-01	13	471 6860-15	43	471 8234-98	41
438 0093-01	9	438 5347-01	23	471 6860-16	41	471 8234-98	43
438 0093-01	39	438 5348-01	21	471 6860-16	43	471 8235-51	41
438 0127-01	27	438 5348-01	23	471 6860-17	41	471 8235-54	41
438 0150-01	45	438 5349-02	7	471 6860-17	43	471 8235-57	27
438 0151-01	7	438 5349-03	7	471 6860-18	41	471 8235-57	41
438 0151-01	45	438 5350-01	35	471 6860-18	43	471 8236-52	43
438 0216-01	45	438 5350-10	35	471 6860-19	41	471 8236-53	43
438 0321-01	45	438 5350-20	35	471 6860-19	43	471 8236-54	43
438 0445-01	15	438 5350-25	35	471 6860-20	41	471 8236-59	43
438 0445-02	15	438 5350-30	35	471 6860-20	43	471 8236-66	27
438 0460-01	7	438 5350-31	35	471 7559-04	11	471 8236-66	43
438 0460-01	45	438 5350-32	35	471 7559-05	11	471 8243-04	27
438 0479-01	17	438 5350-33	35	471 7651-82	25	471 8243-05	27
438 0479-02	17	438 5350-45	35	471 7651-84	25	471 8243-06	27
438 0480-01	17	438 5350-50	35	471 7651-85	25	471 8252-04	9
438 0481-01	17	438 5350-51	35	471 7696-09	21	471 8256-01	9
438 0488-01	17	438 5350-52	35	471 7711-01	15	471 8279-03	29
438 0492-01	17	438 5350-55	35	471 7711-01	17	471 8279-08	29
438 3082-03	35	438 5350-60	35	471 7711-02	19	471 8311-00	25
438 3082-04	35	438 5350-61	35	471 7801-07	39	471 8317-01	37
438 3082-07	35	438 5350-62	35	471 7804-01	37	471 8317-05	39
438 3082-23	35	438 5350-90	35	471 7808-02	45	471 8320-01	17
438 3084-13	35	438 5350-91	35	471 7809-02	45	471 8320-05	19
438 3084-15	35	438 5355-01	13	471 7810-07	9	471 8322-03	13
438 3084-16	35	438 5356-01	11	471 7810-08	9	471 8340-22	7
438 3084-19	35	438 5358-01	9	471 7810-10	9	471 8340-22	33
438 3086-05	35	438 5361-01	15	471 7826-99	7	471 8340-26	21
438 3086-19	35	438 5361-01	17	471 7829-03	7	471 8341-11	27
438 3087-08	35	438 5361-01	19	471 7829-04	31	471 8341-13	7
438 3087-09	35	438 5362-01	11	471 7836-01	11	471 8341-24	9
438 4025-01	33	438 5367-01	17	471 7851-02	37	471 8341-24	29
438 4026-02	33	438 5367-02	17	471 7851-02	39	471 8341-46	7
438 4031-05	33	438 5367-03	17	471 7851-03	11	471 8342-23	7
438 4031-06	33	438 5538-01	13	471 7851-04	11	471 8345-13	25
438 4038-01	33	438 5540-01	23	471 7864-01	9	471 8346-01	45
438 4045-01	33	438 5541-01	19	471 7864-02	9	471 8356-02	13
438 4139-01	45	438 5542-02	7	471 7865-03	23	471 8454-07	7
438 5040-01	9	438 5542-03	7	471 7903-04	25	471 8502-14	15
438 5109-02	7	438 6026-03	27	471 7961-01	11	471 8502-14	17
438 5123-01	13	438 6026-04	27	471 7974-01	23	471 8551-01	19
438 5124-02	13	438 6028-21	15	471 8116-03	33	471 8624-01	29
438 5124-03	13	438 6028-22	15	471 8126-22	29	471 8628-52	15
438 5154-01	21	438 6049-01	25	471 8134-04	9	471 8641-01	7
438 5191-02	17	438 9500-01	23	471 8134-04	27	471 8641-01	9
438 5322-01	7	438 9636-02	33	471 8139-01	27	471 8644-03	45
438 5322-10	7	438 9636-03	33	471 8139-02	27	471 8688-13	27
438 5322-21	7	471 2075-49	15	471 8159-05	19	471 8688-13	39
438 5322-22	7	471 2075-49	17	471 8163-01	45	471 8750-11	23
438 5322-30	7	471 2075-49	19	471 8175-01	27	471 8756-01	23
438 5326-01	7	471 2401-52	15	471 8175-02	27	471 8756-51	23
438 5326-01	45	471 2408-08	25	471 8192-01	11	471 8759-01	23
438 5327-02	7	471 2425-28	9	471 8194-01	9	471 8778-01	23
438 5327-05	7	471 2451-79	15	471 8195-01	39	471 8778-02	23
438 5328-02	7	471 2451-79	17	471 8196-01	7	471 8910-90	31
438 5328-05	7	471 4591-01	31	471 8196-01	33	471 8910-91	31
438 5329-01	7	471 4592-01	31	471 8199-01	27	471 8913-01	31
438 5329-02	7	471 4596-01	31	471 8234-92	41	471 8988-02	21

Numerical index/Nummerregister

Art.No/Art.nr	Page/Sida	Art.No/Art.nr	Page/Sida	Art.No/Art.nr	Page/Sida	Art.No/Art.nr	Page/Sida
471 9000-59	15	472 8754-02	37	472 9902-86	17	736 2840-51	37
471 9004-75	21	472 8754-03	33	472 9913-22	11	736 2843-51	27
471 9030-34	29	472 8754-04	33	724 1218-01	31	736 2849-51	33
471 9035-20	23	472 8754-10	9	724 1226-01	31	741 1115-20	19
471 9222-59	15	472 8755-21	25	724 1295-01	37	741 2113-32	19
471 9222-59	17	472 8759-01	7	724 1303-01	37	744 3113-06	29
471 9222-59	19	472 8759-01	27	724 1323-01	37	762 3131-01	37
471 9529-11	23	472 8760-01	27	724 3291-42	11	762 7207-57	31
471 9550-32	9	472 8761-01	9	725 2331-51	31	762 9105-05	27
471 9558-11	23	472 8761-01	27	725 2366-61	11	767 5103-09	33
471 9560-01	19	472 8762-01	25	725 2374-51	9	877 5211-08	27
471 9635-11	23	472 8769-01	7	725 2459-51	9		
471 9654-03	11	472 8772-01	37	725 2461-51	13		
471 9727-01	37	472 8773-01	7	725 2466-51	9		
471 9727-02	37	472 8778-01	11	725 2501-51	9		
471 9744-01	13	472 8779-01	11	725 2515-51	9		
471 9745-01	13	472 8786-01	25	725 2515-71	9		
471 9758-02	23	472 8811-01	25	725 2542-51	17		
471 9760-01	23	472 8813-01	9	725 5337-01	25		
471 9760-95	23	472 8814-01	9	727 6451-51	13		
471 9760-96	23	472 8822-21	19	729 5279-01	37		
472 5763-04	21	472 8822-22	19	731 2310-01	31		
472 6001-61	45	472 8823-03	9	731 2312-01	31		
472 6001-62	7	472 8827-01	19	731 2312-01	37		
472 6002-05	45	472 8827-02	19	731 2314-01	31		
472 6003-04	45	472 8828-03	19	731 2314-42	7		
472 6004-01	45	472 8828-04	19	731 2314-42	45		
472 6005-01	45	472 8838-21	19	731 2316-01	9		
472 6005-10	45	472 8845-01	7	732 2112-01	37		
472 6006-01	45	472 8845-01	27	732 2114-01	29		
472 6011-00	37	472 8856-01	25	732 2114-92	11		
472 6011-00	39	472 8857-01	25	732 2116-01	7		
472 6011-01	37	472 8895-01	31	732 2118-01	9		
472 6012-00	37	472 8906-01	19	732 2118-01	13		
472 6012-00	39	472 8907-01	19	732 2118-01	15		
472 6013-00	37	472 8912-01	9	732 2118-01	17		
472 6015-00	37	472 8954-01	9	732 2118-01	19		
472 6016-00	37	472 8957-02	11	732 2120-01	9		
472 6017-00	37	472 8964-01	11	734 1164-01	9		
472 6026-01	11	472 8967-29	7	734 1164-01	19		
472 6084-01	19	472 8977-01	19	734 1173-01	9		
472 6147-00	37	472 8977-01	29	734 1173-31	9		
472 6173-01	29	472 8978-01	19	734 4977-01	13		
472 6195-01	37	472 9716-01	9	735 2136-01	7		
472 6498-27	23	472 9736-01	9	735 2146-01	37		
472 6582-02	29	472 9737-02	9	735 2153-01	9		
472 6760-01	33	472 9738-01	9	735 3128-00	17		
472 6761-01	27	472 9738-02	9	735 3130-00	15		
472 7744-01	31	472 9739-01	9	735 3148-10	15		
472 8268-02	33	472 9740-01	9	735 3148-10	17		
472 8268-03	33	472 9768-01	15	735 9304-01	15		
472 8705-21	7	472 9768-01	19	735 9304-01	17		
472 8714-01	27	472 9772-21	15	736 2146-11	9		
472 8717-01	11	472 9772-21	17	736 2816-51	27		
472 8720-01	25	472 9775-01	25	736 2819-51	33		
472 8722-01	9	472 9776-01	11	736 2825-51	27		
472 8722-01	37	472 9777-01	11	736 2828-51	33		
472 8723-01	7	472 9778-01	11	736 2828-51	45		
472 8724-02	11	472 9900-37	45	736 2831-51	27		
472 8725-01	25	472 9902-16	19	736 2834-51	7		
472 8728-01	25	472 9902-35	15	736 2834-51	27		
472 8729-01	25	472 9902-35	17	736 2837-51	9		
472 8734-01	25	472 9902-59	7	736 2837-51	27		
472 8746-03	9	472 9902-59	45	736 2840-51	7		
472 8754-01	37	472 9902-84	17	736 2840-51	9		
472 8754-02	9	472 9902-85	17	736 2840-51	27		

WASCOMAT

461 Doughty Blvd., Inwood, L.I., N.Y. 11096-0338

Telephone: 516-371-4400

Parts and Service FAX: 516-371-4029

Sales and Administration FAX: 516-371-4204