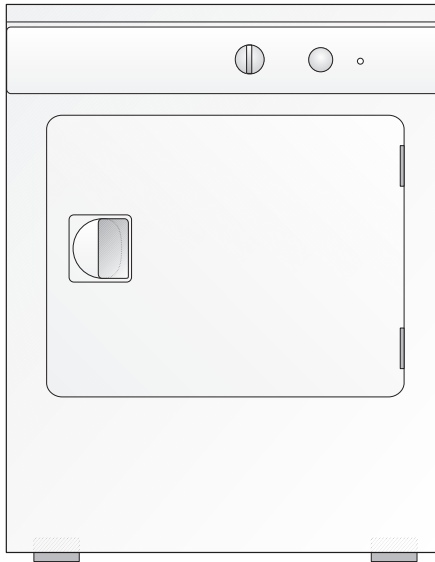


FACTORY PARTS CATALOG ELECTRIC DRYER

WASCOMAT



PRODUCT NO.	BASE MODEL NO.	COLOR
TD16ME0	TD16ME	White

WIRING DIAGRAM - # 131958000
INSTALLATION INSTRUCTIONS - 131970700

 **Electrolux**

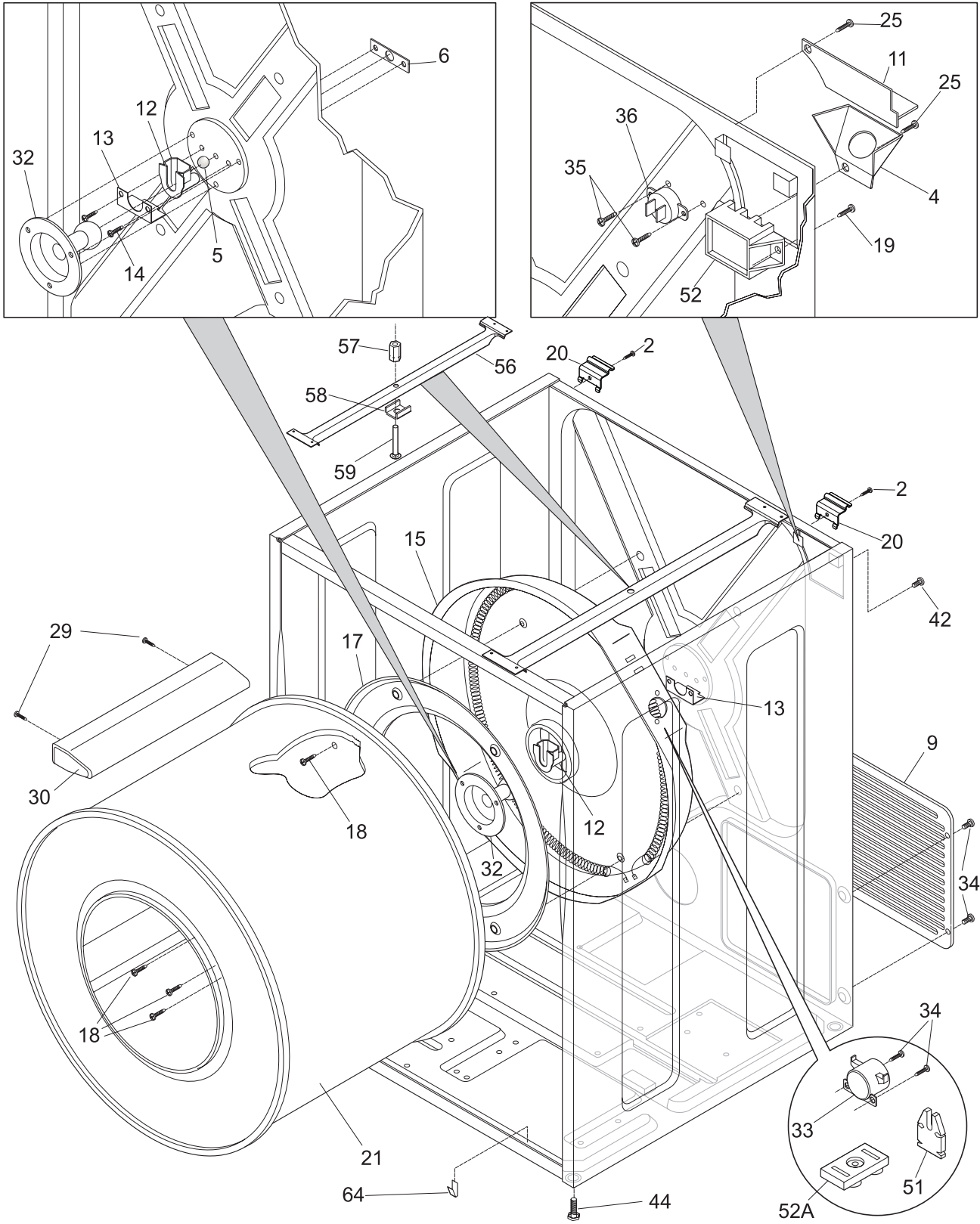
ELECTROLUX HOME PRODUCTS NORTH AMERICA
400 Des Moines St., Webster City IA 50595-1499

Publication No.
5995352068
010403
ENG/SERVICE/JAM
361

ELECTRIC - DRYER

**Model No.
TD16ME**

©1997White Consolidated Industries, Inc.
All rights reserved



10

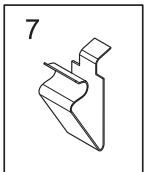
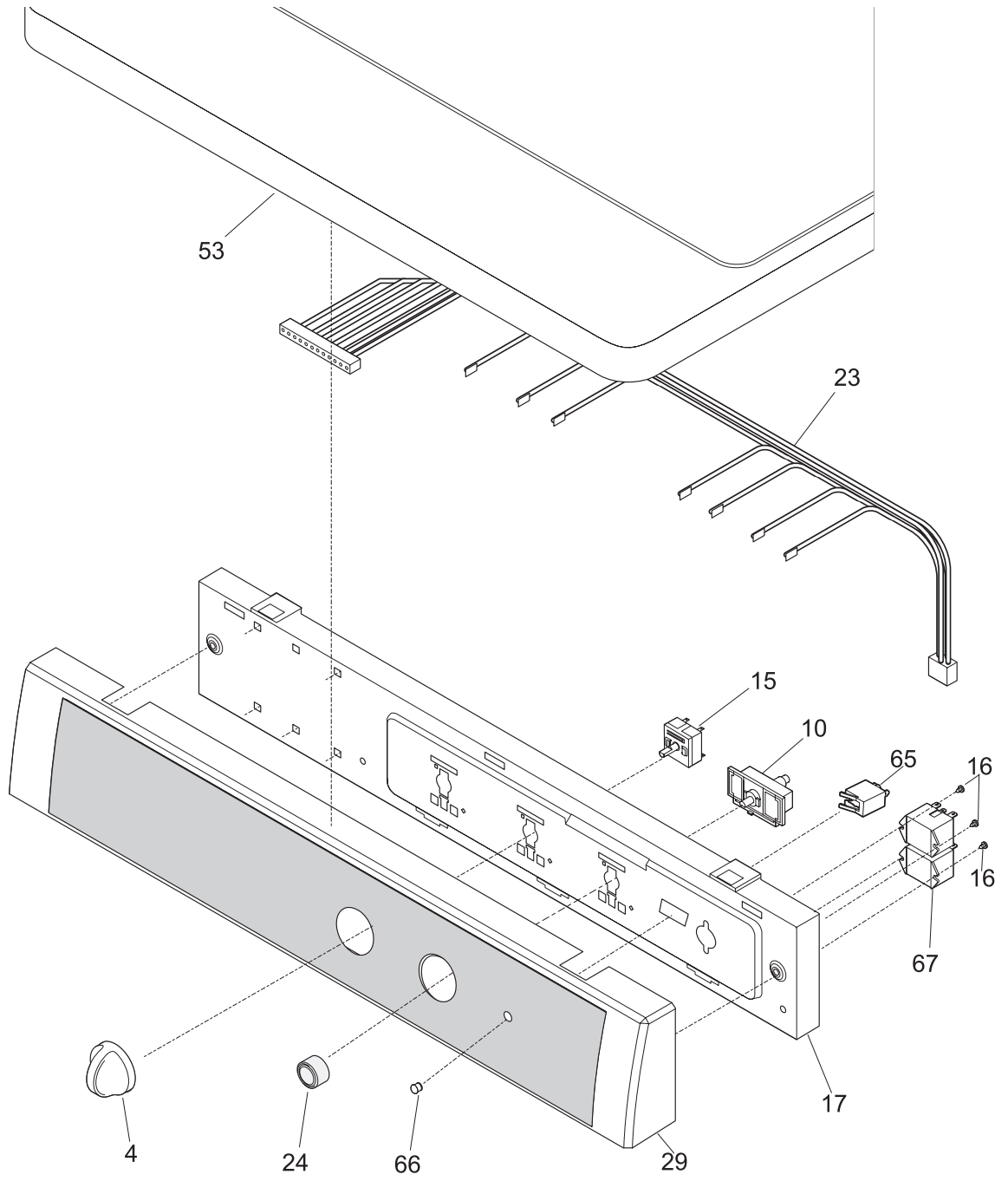
P16V0051

CABINET/DRUM

POS. NO	PART NO	DESCRIPTION
2	131962400	Scr/sn 10-16 x .375 tamp resist
4	131785200	Bracket-cord
5	5303281019	Ball
6	5303281020	Clip-ball
9	131793201	Panel-access
11	5303211428	Cover-term block
12	131825900	Bearing-drum support
13	131724300	Bracket-bearing
14	131205400	Screw-bracket, 10-16B x 1.375, cr/sq drive
15	131553900	Heater-hsg assy
17	3204254	Baffle-heater
18	131477000	Screw-shaft & baffle, comb ph ab spl, 10-16 x .375
19	131205300	Screw, 10-16 x .75
20	131469100	Bracket-hinge
21	131427808	Drum-dryer, galvanized back
25	5303015671	Screw, 8-18 x .375
29	131382300	Screw-vane, quadrex head, 10-14 x 1.00, special
30	5303201200	Vane
32	131777700	Asmy-shaft (ballhitch)
33 #	3204267	Thermostat-safety
34	131243700	Screw, pan head, 8-18AB x 0.375, cr/sq drive
35	131892100	Scr 6-20 x .230 pph b pt
36	5303209192	Thermal Limiter
42	131301100	Screw-ground cab, hex washer head, 10-32T x 0.375, serrated head
44	131527400	Foot-cabinet
51	131472100	Insulator, heater housing
52	5303937016	Block-terminal
52A	3202786	Block-terminal, heater hsg
56	131949300	Brace
57	131981900	Spacer-security
58	131949400	Retainer
59	131686601	Bolt 3/8-16 x 3.50 carriage
64	131704600	Clip
*	5303208586	Screw-term blk (3)
*	5303307893	Lubricant, high temp

FRONT PANEL/LINT FILTER

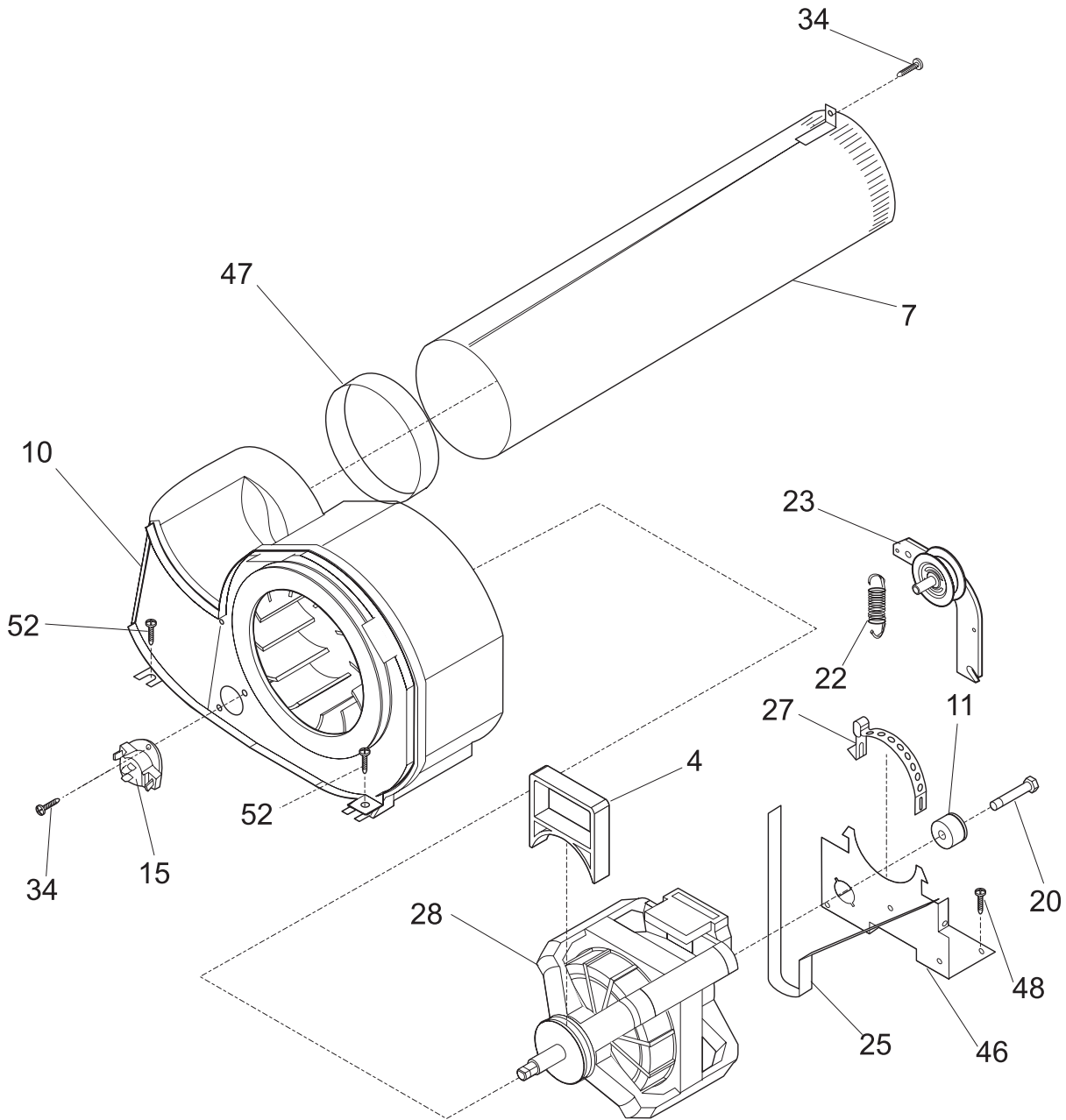
POS. NO	PART NO	DESCRIPTION
1	131581400	Seal-air duct
2	131397000	Plug-dome, white
6	131621900	Duct-air
8	131622202	Cover-lint housing
9	131633200	Plug, white
16	131063700	Clip-wiring
20	5303937139	Glide-drum
21	5303283286	Seal-basket lower
22	131845902	Panel-front stack w/lite
25	131658800	Catch-door
26	131843100	Switch-door w/o lite
27	131450300	Lint Trap
28	5303281074	Clip-guide (3)
41	131627500	Hinge-door
42	131209600	Screw, flat head, 8-18AB x 0.44, cr/sq drive
44	131129900	Gasket-door
46	131644700	Handle-door, white
47	131844104	Panel-inner door, white
48	131789303	Door-outer, white
49	5303211430	Strike-door
50	131303300	Screw-lock, ph ab, 10-16 x .50
*	131870700	Plug-light hole
*	131474700	Insulation



P16C0136

CONTROLS/TOP PANEL

POS. NO	PART NO	DESCRIPTION
4	131265000	Knob-switch, white
7	3205821	Clip-top panel to front panel
10 #	131469000	Switch-push/start
15 #	131259200	Switch-temperature
16	134034300	Screw
17	131941001	Brkt-cont mtg-coin op
23	134009000	Harn-FSD cont TD16 elec
24	131970200	Button-push/start white
29	131666929	Asmy-cons frame/tape/trim
53	131601323	Top panel-wht coin-op dry
65	131724700	Light-pilot
66	131724800	Lens-pilot light
67	131965000	Relay
*	134006300	Harn-main FSD elec coin-op
*	134011600	Instr-security hdwe instal
*	134011100	Lock cylinder
*	134011900	Nut-lock cylinder
*	134011200	Key

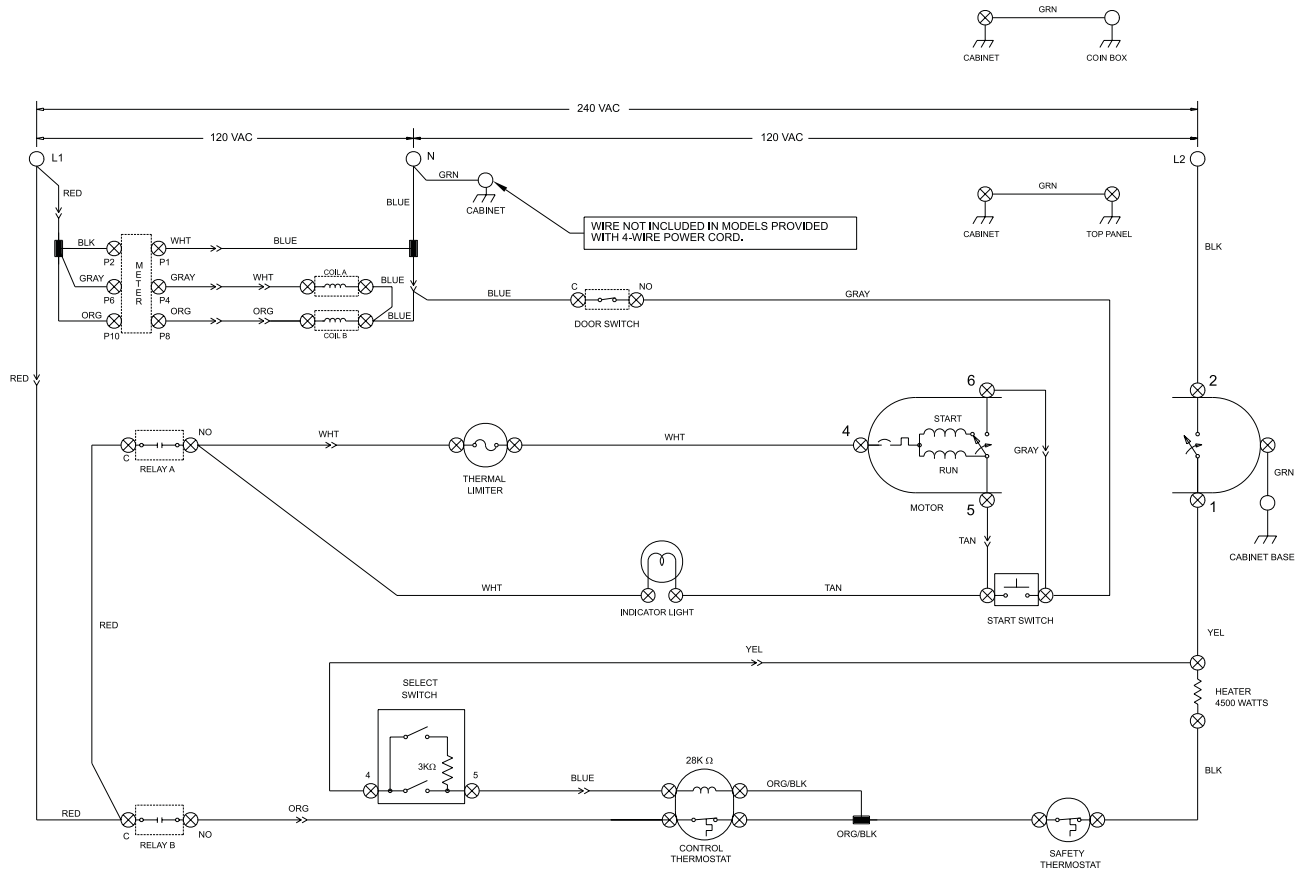


P16M0024

MOTOR

POS. NO	PART NO	DESCRIPTION
4	131435200	Lock-fan housing
7	131451600	Tube-exhaust
10	131535200	Housing-fan
11	131749800	Spacer-idler
15 #	131298300	Thermostat-control
20	131017900	Screw-spacer, hex head, 1/4-20T x 1.25, thread cutting
22	131601000	Spring-idler
23	131863000	Asmy-idler arm
25 #	5303283471	Belt-dryer
27	131419800	Clamp-motor
28	131560100	Motor-main, w/pulley
34	131243700	Screw, pan head, 8-18AB x 0.375, cr/sq drive
46	131601100	Bracket-motor
47	131633300	Seal-exhaust tube
48	131168200	Screw, 8-18 x 0.31
52	131303100	Screw, hwhd ab, 10-16 x .625
*	131456800	Tube Assy, exhaust

CAUTION: DISCONNECT ELECTRIC CURRENT BEFORE SERVICING. LABEL ALL WIRES PRIOR TO DISCONNECTION WHEN SERVICING CONTROLS. WIRING ERRORS CAN CAUSE IMPROPER AND DANGEROUS OPERATION. VERIFY PROPER OPERATION AFTER SERVICING.



WIRING CODES

- ⊗ QUICK DISCONNECT TERMINAL
- ⊥ CONNECTION
- ⊕ NO CONNECTION
- ⊗ MOTOR SWITCH
- ⊕ SPLICE
- ⊗ MOTOR PROTECTOR
- ⊕ CHASSIS (CABINET) GROUND
- SCREW TERMINAL
- ⊕ HARNESS CONNECTOR TERMINAL
- ⊗ INSULATED TERMINAL

FABRIC SELECT SWITCH

FUNCTION	RESISTANCE
HIGH	∞
MEDIUM	3KΩ ±5%
LOW	10Ω MAX

NOTES:
 1. ALL WIRING MUST CONFORM TO LOCAL ELECTRICAL CODES.
 2. CONNECT DRYER TO A 30 AMP INDIVIDUAL BRANCH CIRCUIT.
 3. SHOWN IN OFF POSITION, DOOR SWITCH CLOSED.
 MOTOR AT REST, THERMOSTAT CLOSED AND FABRIC SELECTOR SWITCH AT REGULAR.

1 ACCUMULATION

DRIVE MOTOR	_____
HEATER	_____

E