

30T/TT300

Tumble dryer

Tørretumbler

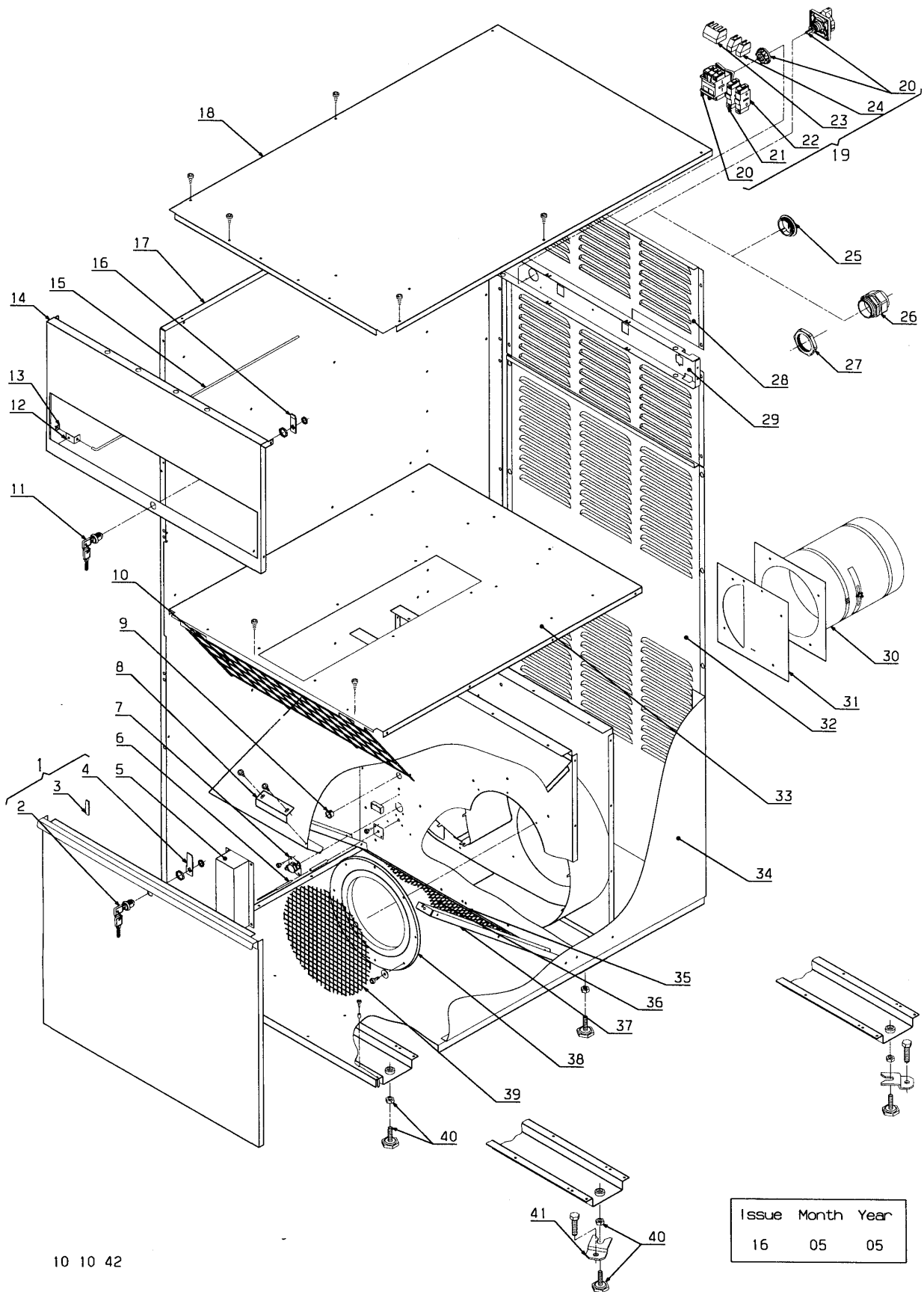
List of issues

TT300

Illustration	Page	Table of contents
101037	31	Motor alternative without reversing
101038	43	Heating unit, gas
101042	9	Cabinet
101043	27	Drum, compl.
101044	13	Door
101045	15	Control panel
101046	17	Control panel with coin
101047	23	Control unit, central control
101200	39	Heating unit, electric
101241	53	Control unit, steam/ hot water
101242	51	Control unit, gas
101243	49	Control unit, electric
101245	45	Heating unit, steam
101253	33	Motor alternative with reversing
101264	55	Heat Pipes, joined
101289	47	Hot water heating unit, complete
101291	37	Connection unit, el, gas, steam
101536	29	Drum with moisture sensor
101558	25	Control panel with Single System
200145	21	Coin meter, complete
200476	35	Assembly set - transmission

TT300

Table of contents	Indholdsfortegnelse	Page/Side
Cabinet	Kabinet	9
Door	Luge	13
Control panel	Betjeningspanel	15
Control panel with coin	Betjeningspanel, mønt	17
Coin meter, complete	Møntsorterer, komplet	21
Control unit, central control	Betjeningsenhed, centralstyring	23
Control panel with Single System	Betjeningspanel, Single System	25
Drum, compl.	Tromle, komplet	27
Drum with moisture sensor	Tromle med fugtighedsføler	29
*Motor alternative without reversing	Motoralternativ uden reversering	31
*Motor alternative with reversing	Motoralternativ med reversering	33
Assembly set - transmission	Montagedele - transmission	35
Connection unit, el, gas, steam	Tilslutningsenhed, el, gas, damp	37
Heating unit, electric	Varmeenhed, el	39
Heating unit, gas	Varmeenhed, gas	43
Heating unit, steam	Varmeenhed, damp	45
Hot water heating unit, complete	Varmeenhed, varmt vand, komplet	47
Control unit, electric	Automatenhed, el	49
Control unit, gas	Automatenhed, gas	51
Control unit, steam/ hot water	Automatenhed, damp/hw.	53
Heat Pipes, joined	Heat Pipes, samlet	55



10 10 42

Issue	Month	Year
16	05	05

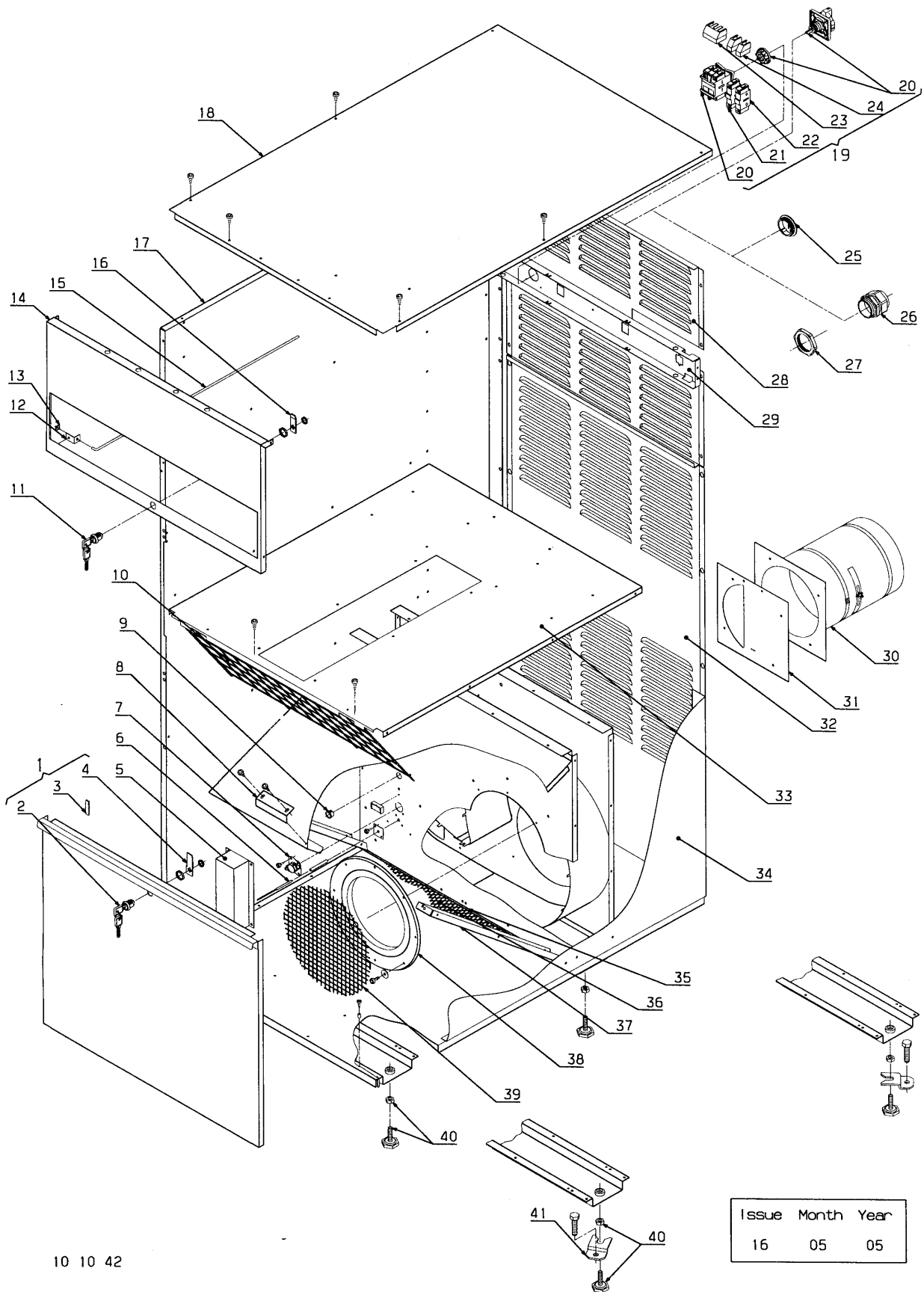
300T,TT300

Cabinet

Kabinet

Illustration Issue Month Year
Illustration Issue Month Year
101042/12 19 10 2006

Item Nr.	Qua Ant.	Art.No Art. nr	Description	Beskrivelse	Info Info	Notes Bemærk	
1	1	487 1975-00	Filter hatch complete	Filterluge, komplet	3	White	
	1	487 1975-02	Filter hatch complete	Filterluge, komplet	3	Red	
	1	487 1975-03	Filter hatch complete	Filterluge, komplet	3	Yellow	
	1	487 1975-04	Filter hatch complete	Filterluge, komplet	3	Beige	
	1	487 1975-05	Filter hatch complete	Filterluge, komplet	3	Blue	
	1	487 1975-06	Filter hatch complete	Filterluge, komplet	3	Ivory	
	1	487 1975-07	Filter hatch complete	Filterluge, komplet	3	Stainless	
2	1	487 1946-53	•Lock	•Lås	3	Complete	
	1	487 1707-12	••Key	••Nøgle	3		
3	2	487 1959-10	•Sealing strip	•Tætningsliste	3		
4	1	487 1756-29	•Lock catch	•Låsepal	3		
5	1	487 1820-17	Cover	Afdækning	3		
6	1	487 1934-71	Thermistor element	Termistorelement	1,2	Complete	
7	1	487 1697-04	Thermostat	Termostat	1,2	87°C	
8	1	472 5537-08	Bracket	Holder	3	White	
9	2	762 1137-10	Cable gland	Kabelgennemføring	3	Ø16	
10	1	487 1756-27	Finger protection	Fingerbeskytter	3		
11	1	487 1946-52	Lock	Lås	3	Complete	
	1	487 1707-11	•Key	•Nøgle	3		
12	1	487 1763-06	Angle	Vinkel	3		
13	1	487 1626-04	Disc	Skive	3	Grifax	
14	1	487 1709-05	Front panel	Frontpanel	3	White	
	1	487 1709-06	Front panel	Frontpanel	3	Red	
	1	487 1709-62	Front panel	Frontpanel	3	Yellow	
	1	487 1709-63	Front panel	Frontpanel	3	Beige	
	1	487 1709-64	Front panel	Frontpanel	3	Blue	
	1	487 1709-67	Front panel	Frontpanel	3	Ivory	
	1	487 1709-50	Front panel	Frontpanel	3	Stainless	
	1	487 0163-49	Front panel	Frontpanel	3	Stainless	
	1	487 1763-05	Bracket	Holder	3		
15	1	487 1756-30	Lock catch	Låsepal	3		
17	1	487 1710-05	Side plate	Sideplade	3	White -9908/10105	
	1	487 1906-05	Side plate	Sideplade	3	White 9908/10106-	
	1	487 1710-06	Side plate	Sideplade	3	Red -9908/10105	
	1	487 1906-06	Side plate	Sideplade	3	Red 9908/10106-	
	1	487 1710-62	Side plate	Sideplade	3	Yellow -9908/10105	
	1	487 1710-63	Side plate	Sideplade	3	Beige -9908/10105	
	1	487 1710-64	Side plate	Sideplade	3	Blue -9908/10105	
	1	487 1710-67	Side plate	Sideplade	3	Ivory -9908/10105	
	1	487 1906-50	Side plate	Sideplade	3	Stainless 9908/10106-	
	18	1	487 1708-05	Top panel	Topplade	3	White 9908/10106-
		1	487 1708-06	Top panel	Topplade	3	Red -9908/10105
		1	487 1708-62	Top panel	Topplade	3	Yellow -9908/10105
1		487 1708-63	Top panel	Topplade	3	Beige -9908/10105	
1		487 1708-64	Top panel	Topplade	3	Blue -9908/10105	
1		487 1708-67	Top panel	Topplade	3	Ivory -9908/10105	
1		487 1708-50	Top panel	Topplade	3	Stainless 9908/10106-	
19	1	487 1781-72	Safety switch	Sikkerhedsafbryder	3	208-240V Complete Electric	
	1	487 1781-71	Safety switch	Sikkerhedsafbryder	3	400-440V Complete Electric	
	1	487 1781-73	Safety switch	Sikkerhedsafbryder	3	Complete Gas + steam	
20	1	487 1535-69	•Safety switch	•Sikkerhedsafbryder	3	208-240V+400-440V Electric	
	1	487 1535-95	•Safety switch	•Sikkerhedsafbryder	3	Gas + steam	
21	1	487 1535-91	•Switch	•Kontakt	3	208-240V+400-440V Electric	
	1	487 1535-96	•Switch	•Kontakt	3	Gas + steam	
22	1	487 1535-92	•Ground terminal	•Jordklemme	3	208-240V+400-440V Electric	
	1	487 1535-97	•Ground terminal	•Jordklemme	3		
23	1	487 1535-93	•Cover	•Afdækning	3	208-240V+400-440V Electric	
	1	487 1535-98	•Cover	•Afdækning	3	Gas + steam	
24	2	487 1535-94	•Cover	•Afdækning	3	208-240V+400-440V Electric	



10 10 42

Issue	Month	Year
16	05	05

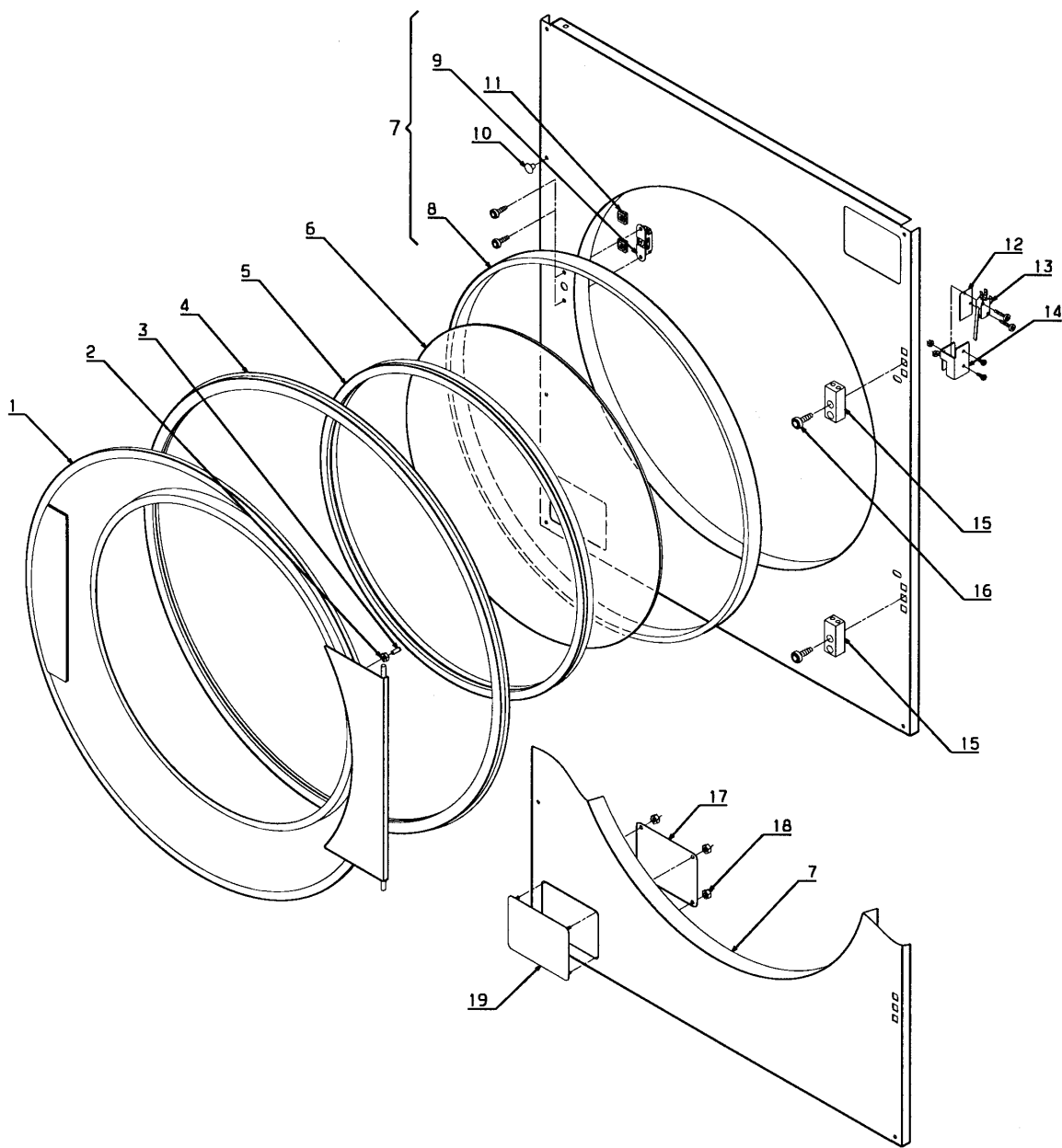
300T,TT300

Cabinet

Kabinet

Illustration	Issue	Month	Year
Illustration	Issue	Month	Year
101042/12	19	10	2006

Item Nr.	Qua Ant.	Art.No Art. nr	Description	Beskrivelse	Info Info	Notes Bemærk
	2	487 1535-99	•Cover	•Afdækning	3	Gas + steam
25	2	487 1701-41	Plug	Prop	3	White
26	1	487 1318-13	Cable glands	Kabelforskruning	3	PG21 200-440V
	1	471 8752-04	Cable gland	Kabelgennemføring	3	PG16 Gas + steam
27	1	487 1348-05	Nut	Møtrik	3	PG21
28	1	487 1694-62	Baffle plate	Afskærmningsplade	3	Electric + gas
	1	487 1781-56	Baffle plate	Afskærmningsplade	3	Steam
29	1	487 1694-76	Beam	Bjælke	3	Electric
	1	487 1694-67	Beam	Bjælke	3	Gas
	1	487 1701-86	Beam	Bjælke	3	GT
	1	487 1764-32	Beam	Bjælke	3	1" pipe - gas
	1	487 1781-58	Beam	Bjælke	3	Steam
	1	487 1781-60	Beam	Bjælke	3	Steam Dubix
	1	487 1781-92	Beam	Bjælke	3	HW.
30	1	487 1775-20	Adjustable vent pipe	Justerbart aftræksrør	3	
31	1	487 1756-56	Air reducing plate	Blændplade	3	
	1	487 1756-55	Air reducing plate	Blændplade	3	18kW 50Hz
	1	487 1764-37	Air reducing plate	Blændplade	3	50Hz Gas
	1	487 1764-36	Air reducing plate	Blændplade	3	60Hz Gas
32	1	487 0001-04	Baffle plate	Afskærmningsplade	3	
33	1	487 1694-84	Top panel	Topplade	3	
34	1	487 1711-05	Side plate	Sideplade	3	White -9908/10105
	1	487 1907-05	Side plate	Sideplade	3	White 9908/10106-
	1	487 1711-06	Side plate	Sideplade	3	Red -9908/10105
	1	487 1907-06	Side plate	Sideplade	3	Red 9908/10106-
	1	487 1711-62	Side plate	Sideplade	3	Yellow -9908/10105
	1	487 1711-63	Side plate	Sideplade	3	Beige -9908/10105
	1	487 1711-64	Side plate	Sideplade	3	Blue -9908/10105
	1	487 1711-67	Side plate	Sideplade	3	Ivory -9908/10105
	1	487 1907-50	Side plate	Sideplade	3	Stainless 9908/10106-
35	1	487 1694-15	Lint screen	Fnugfilter	1	Complete
36	1	487 1600-11	Filter cloth	Filterdug	1	
37	1	487 1694-64	Leg	Ben	3	
38	1	472 7348-01	Venturi	Venturi	3	
39	1	472 7774-01	Protective grid	Beskyttelsesgitter	3	
40	4	487 1694-68	Foot	Fod	3	M10X44
41	4	472 7777-01	Fitting	Beslag	3	Complete



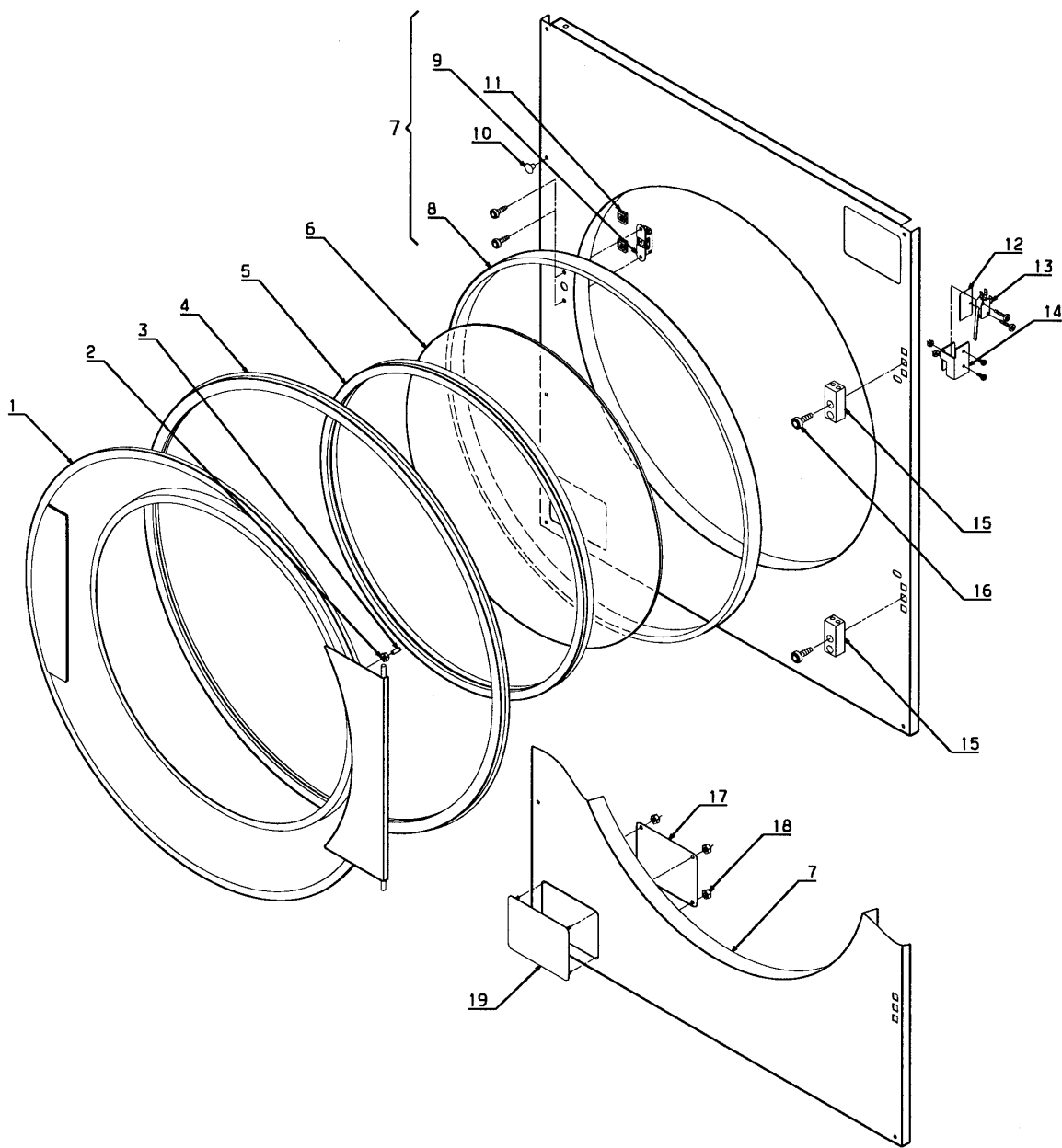
300T,TT300

Door

Luge

Illustration Issue Month Year
 Illustration Issue Month Year
101044/7 22 3 2005

Item Nr.	Qua Ant.	Art.No Art. nr	Description	Beskrivelse	Info Info	Notes Bemærk
1	1	487 1756-37	Door complete - right hinged	Luge, komplet - højrehængt	3	-9908/10105
	1	487 1756-60	Door complete - left hinged	Luge, komplet - venstrehængt	3	-9908/10105
2	1	487 1935-56	Reversible door, complete	Vendbar luge, komplet	3	Glued Silvergrey 9908/10106-M4
	1	731 5312-01	Nut	Møtrik		
3	1	487 1756-35	Bushing	Bøsning	3	
4	1	487 2200-31	Door gasket	Lugepakning	1	Black
	1	487 2200-35	Door gasket	Lugepakning	1	White
5	1	487 1756-54	Gasket for glass	Pakning for glas	1	
	1	487 1756-57	Gasket for glass	Pakning for glas	1	White
6	1	487 1756-46	Door glass	Lugeglas	3	
	1	487 1756-86	Door glass	Lugeglas	3	Mr. Møntvask Japan
7	1	487 0215-00	Front, manual	Front, manuel	3	White Right-hinged -9908/10105
	1	487 0215-01	Front, manual	Front, manuel	3	Red Right-hinged -9908/10105
	1	487 0215-02	Front, manual	Front, manuel	3	Stainless Right-hinged -9908/10105
	1	487 0215-03	Front, manual	Front, manuel	3	Yellow Right-hinged -9908/10105
	1	487 0215-04	Front, manual	Front, manuel	3	Beige Right-hinged -9908/10105
	1	487 0215-05	Front, manual	Front, manuel	3	Blue Right-hinged -9908/10105
	1	487 0215-06	Front, manual	Front, manuel	3	Ivory Right-hinged -9908/10105
	1	487 0215-07	Front, manual	Front, manuel	3	White Left-hinged -9908/10105
	1	487 0215-08	Front, manual	Front, manuel	3	Red Left-hinged -9908/10105
	1	487 0215-09	Front, manual	Front, manuel	3	Stainless Left-hinged -9908/10105
	1	487 0215-10	Front, manual	Front, manuel	3	Yellow Left-hinged -9908/10105
	1	487 0215-11	Front, manual	Front, manuel	3	Beige Left-hinged -9908/10105
	1	487 0215-12	Front, manual	Front, manuel	3	Blue Left-hinged -9908/10105
	1	487 0215-13	Front, manual	Front, manuel	3	Ivory Left-hinged -9908/10105
	1	487 0215-14	Reversible front	Vendbar front	3	White Manual 9908/10106-
	1	487 0215-15	Reversible front	Vendbar front	3	Red Manual 9908/10106-
	1	487 0215-16	Reversible front	Vendbar front	3	Yellow Manual 9908/10106-
	1	487 0215-17	Reversible front	Vendbar front	3	Beige Manual 9908/10106-
	1	487 0215-18	Reversible front	Vendbar front	3	Blue Manual 9908/10106-
	1	487 0215-19	Reversible front	Vendbar front	3	Ivory Manual 9908/10106-
	1	487 1975-36	Reversible front	Vendbar front	3	Stainless Manual 9908/10106-
	1	487 0215-21	Front , with coin	Front, mønt	3	White Right-hinged -9908/10105
	1	487 0215-22	Front , with coin	Front, mønt	3	Red Right-hinged -9908/10105
	1	487 1502-23	Front , with coin	Front, mønt	3	Stainless Right-hinged -9908/10105
	1	487 0215-24	Front , with coin	Front, mønt	3	Yellow Right-hinged -9908/10105
	1	487 0215-25	Front , with coin	Front, mønt	3	Beige Right-hinged -9908/10105
	1	487 0215-26	Front , with coin	Front, mønt	3	Blue Right-hinged -9908/10105
	1	487 0215-27	Front , with coin	Front, mønt	3	Ivory Right-hinged -9908/10105
	1	487 0215-28	Front , with coin	Front, mønt	3	White Left-hinged -9908/10105
	1	487 0215-29	Front , with coin	Front, mønt	3	Red Left-hinged -9908/10105
	1	487 0215-30	Front , with coin	Front, mønt	3	Stainless Left-hinged -9908/10105
	1	487 0215-31	Front , with coin	Front, mønt	3	Yellow Left-hinged -9908/10105
	1	487 0215-32	Front , with coin	Front, mønt	3	Beige Left-hinged -9908/10105
	1	487 0215-33	Front , with coin	Front, mønt	3	Blue Left-hinged -9908/10105
	1	487 0215-34	Front , with coin	Front, mønt	3	Ivory Left-hinged -9908/10105
	1	487 0215-35	Reversible front	Vendbar front	3	White Coin 9908/10106-
	1	487 0215-36	Reversible front	Vendbar front	3	Red Coin 9908/10106-
	1	487 0215-37	Reversible front	Vendbar front	3	Stainless Coin 9908/10106-
	1	487 0215-38	Reversible front	Vendbar front	3	Yellow Coin 9908/10106-
	1	487 0215-39	Reversible front	Vendbar front	3	Beige Coin 9908/10106-
	1	487 0215-40	Reversible front	Vendbar front	3	Blue Coin 9908/10106-



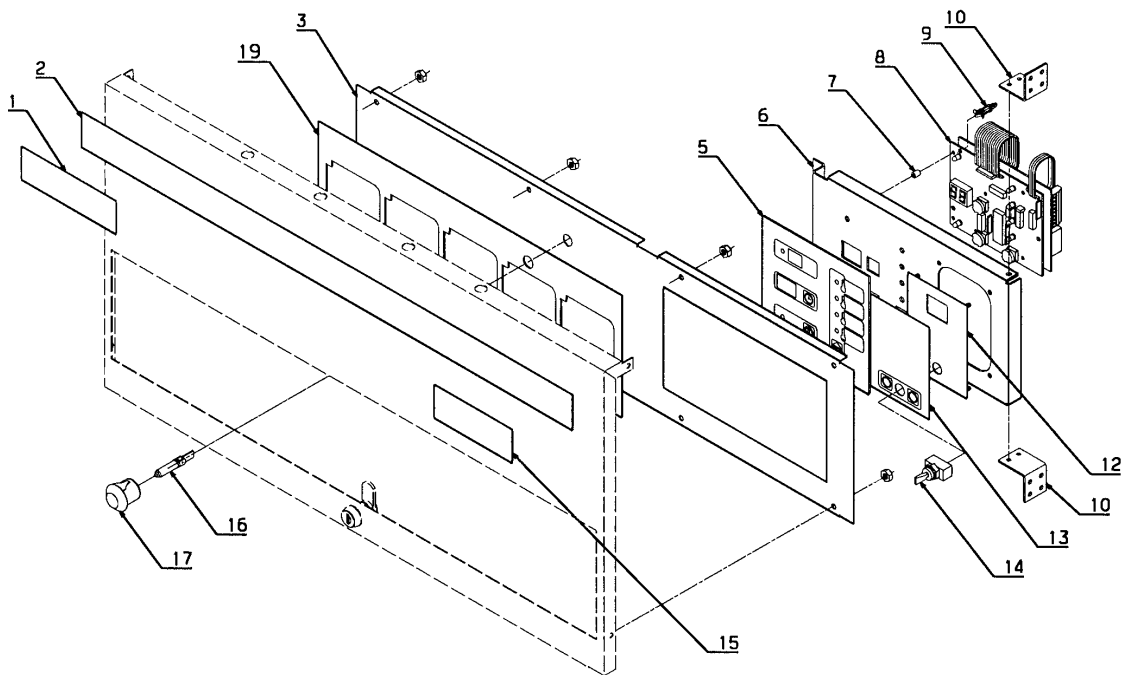
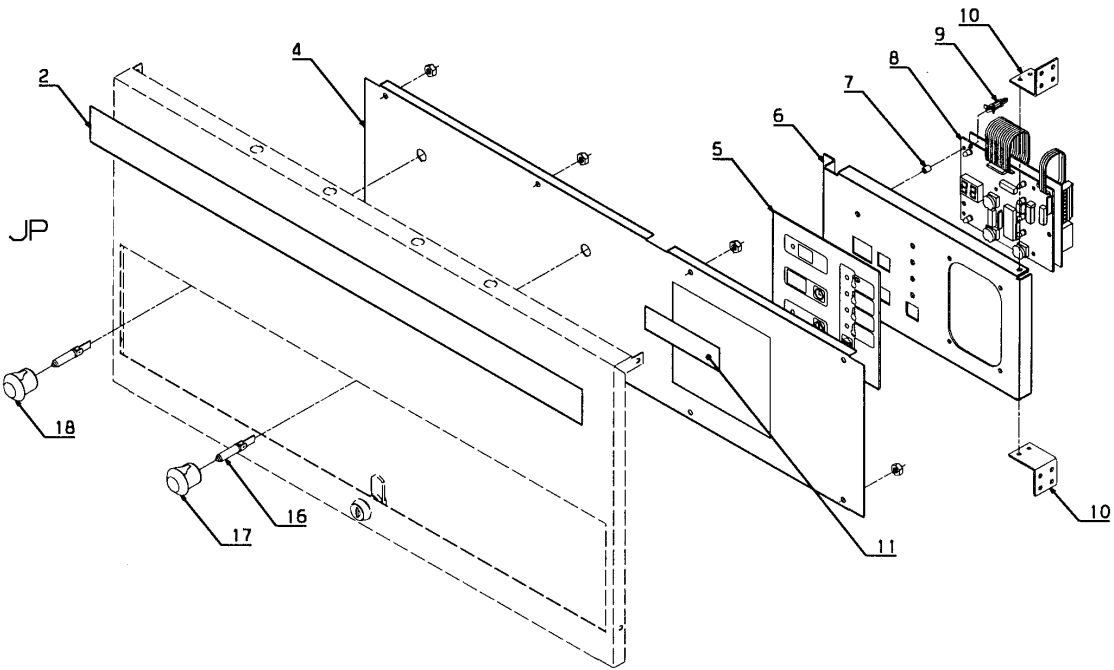
300T,TT300

Door

Luge

Illustration Issue Month Year
Illustration Issue Month Year
101044/7 22 3 2005

Item Nr.	Qua Ant.	Art.No Art. nr	Description	Beskrivelse	Info Info	Notes Bemærk
	1	487 0215-41	Reversible front	Vendbar front	3	Ivory Coin 9908/10106-
8	1	487 1756-23	•Seal	•Tætning	1	L=1828
9	1	487 0215-70	•Snap lock	•Snaplås	3	Complete
10	8	487 1701-41	Plug	Prop	3	White
	8	487 2317-76	Plug	Prop	3	Grey
11	2	471 7864-05	Captive nut	Speed-nut	3	
12	1	488 5173-06	Insulation	Isolering	3	
13	1	471 5976-01	Microswitch	Microswitch	1,2	
14	1	487 1756-45	Fitting	Beslag	3	Right
	1	487 1756-51	Fitting	Beslag	3	Left
15	2	487 1820-53	Hinge	Hængsel	3	Complete
16	4	724 1333-01	Screw	Skrue		M5X25
17	1	487 1831-48	Rear panel	Bagplade	3	9908/10106-
18	4	732 2112-01	Locking nut	Låsemøtrik		M4
19	1	487 1875-05	Cover plate	Afdækningsplade	3	White 9908/10106-
	1	487 1875-06	Cover plate	Afdækningsplade	3	Red 9908/10106-
	1	487 1875-62	Cover plate	Afdækningsplade	3	Yellow 9908/10106-
	1	487 1875-63	Cover plate	Afdækningsplade	3	Beige 9908/10106-
	1	487 1875-64	Cover plate	Afdækningsplade	3	Blue 9908/10106-
	1	487 1875-67	Cover plate	Afdækningsplade	3	Ivory 9908/10106-



Issue	Month	Year
10	08	05

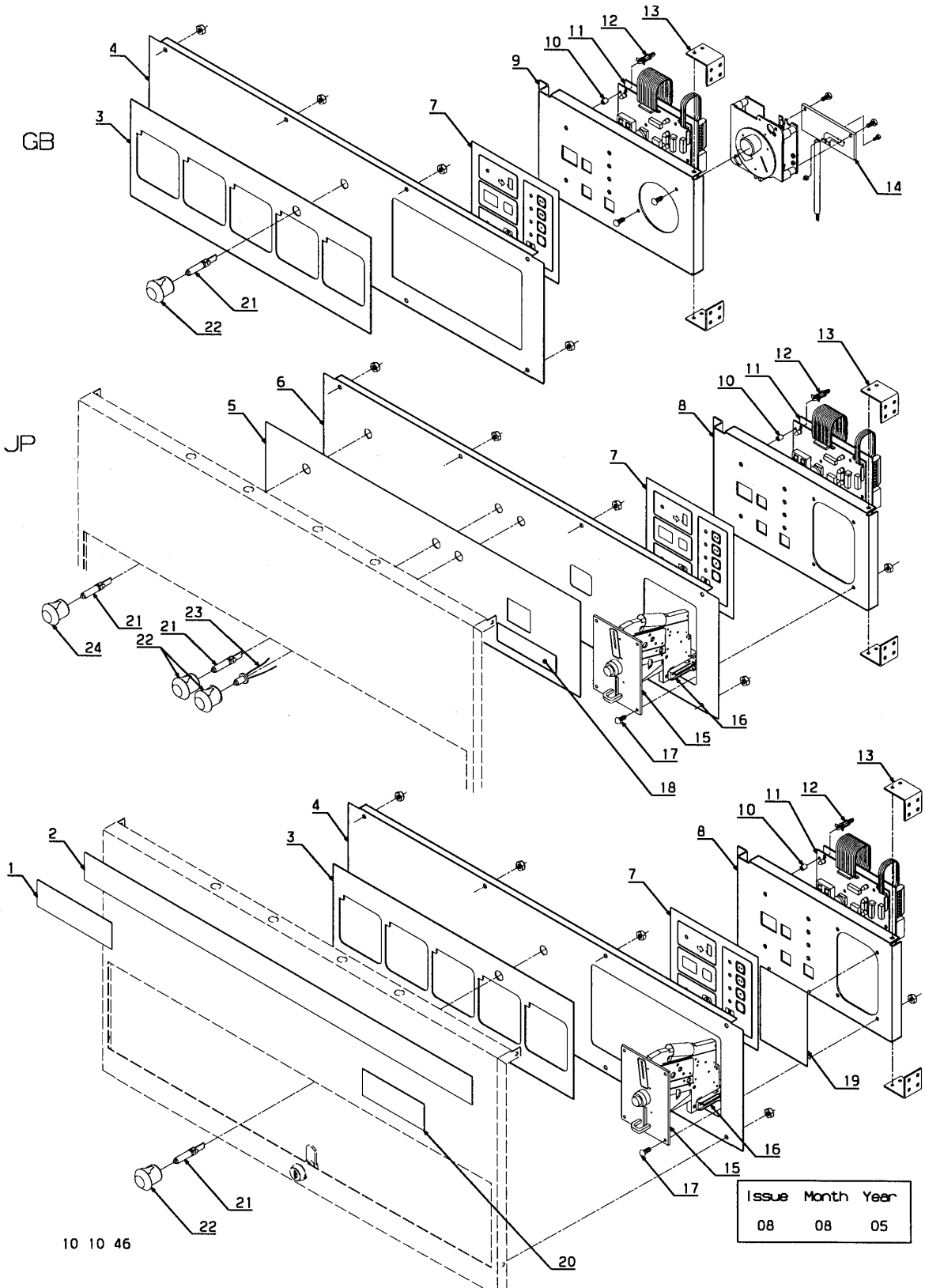
300T,TT300

Control panel

Betjeningspanel

Illustration Issue Month Year
Illustration Issue Month Year
101045/9 9 8 2005

Item Nr.	Qua Ant.	Art.No Art. nr	Description	Beskrivelse	Info Info	Notes Bemærk
1	1	487 1702-26	Type plade	Typeskilt	3	Nyborg
2	1	487 1702-28	Type plade	Typeskilt	3	Wascator
3	1	487 1702-40	Panel plate	Panelplade	3	
	1	487 1702-42	Panel plate	Panelplade	3	OPL
4	1	487 1702-49	Panel plate	Panelplade	3	Japan
5	1	487 1702-68	Operation sign	Betjeningsskilt	3	
6	1	487 0191-11	Inner plate	Inderplade	3	Müller
7	6	487 1535-21	Spacer element	Afstandsstykke	3	
8	1	489 0112-61	Printed circuit board	Printplade	1,2	Complete
9	4	487 0191-23	Spacer element	Afstandsstykke	3	
10	2	487 1702-09	Hinge	Hængsel	3	
11	1	487 0118-00	Sign	Skilt	3	Gas Japan
12	1	487 1703-23	Plate - ON/OFF button	Plade - ON/OFF knap	3	
13	1	487 1703-82	Sign	Skilt	3	Reversing
	1	487 1703-81	Sign	Skilt	3	Gas Without reversing
	1	487 1703-80	Sign	Skilt	3	Gas Reversing
14	1	488 6571-02	Toggle switch	Vippeafbryder	3	
15	1	487 1702-27	Type plade	Typeskilt	3	30T
16	1	763 1001-01	Pilot lamp	Kontrollampe	3	230-240V
	2	763 1001-01	Pilot lamp	Kontrollampe	3	230-240V Japan
17	1	763 1802-01	Lamp glass	Lampeglas	3	Red
18	1	763 1806-01	Lamp glass	Lampeglas	3	Yellow Japan
19	1	487 1702-60	Instruction plate	Instruktionsskilt	3	Moisture sensor
	1	487 1873-06	Instruction plate	Instruktionsskilt	3	Aqua - Clean



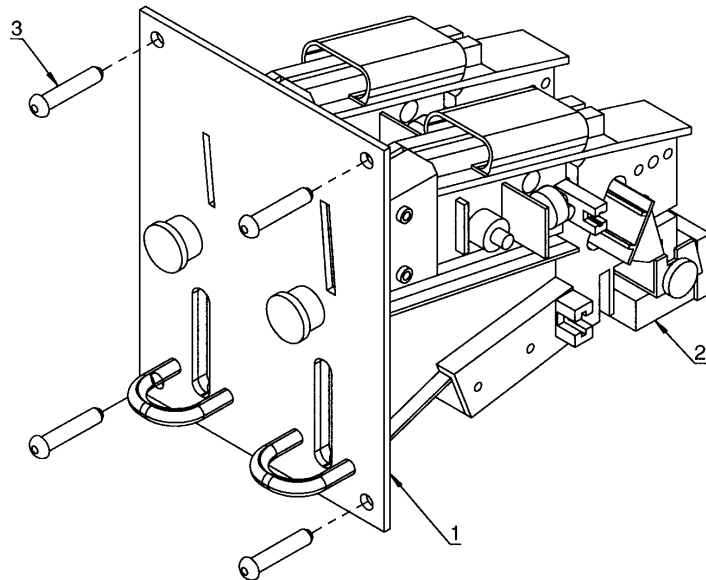
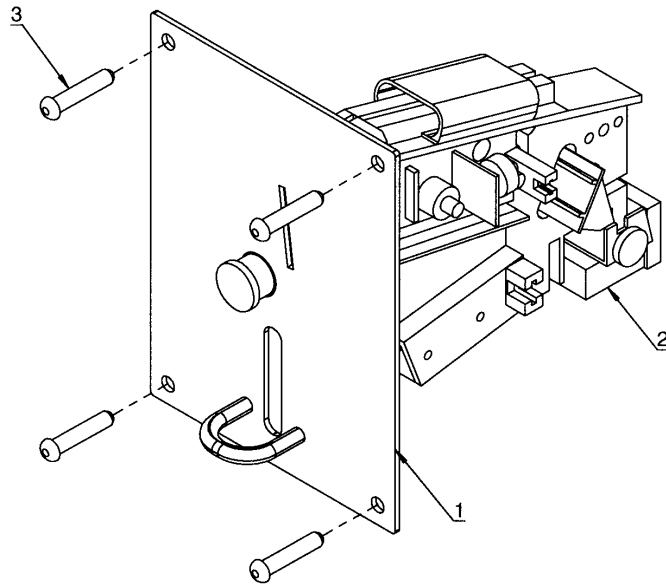
300T,TT300

Control panel with coin

Betjeningspanel, mønt

Illustration Issue Month Year
Illustration Issue Month Year
101046/8 25 10 2005

Item Nr.	Qua Ant.	Art.No Art. nr	Description	Beskrivelse	Info Info	Notes Bemærk
1	1	487 1702-26	Type plade	Typeskilt	3	Nyborg
2	1	487 1702-28	Type plade	Typeskilt	3	Wascator
	1	487 1276-33	Type plade	Typeskilt	3	Wascator Japan
3	1	487 1702-70	Instruction plate	Instruktionsskilt	3	
4	1	487 1702-40	Panel plate	Panelplade	3	
5	1	487 1702-54	Instruction plate	Instruktionsskilt	3	Japan
6	1	487 1702-41	Panel plate	Panelplade	1,2	Japan
7	1	487 1702-68	Operation sign	Betjeningsskilt	3	
8	1	487 0191-11	Inner plate	Inderplade	3	Müller
9	1	487 1702-19	Cover plate	Afdækningsplade	3	
10	1	487 1535-21	Spacer element	Afstandsstykke	3	
11	1	489 0112-61	Printed circuit board	Printplade	1,2	Complete
12	4	487 0191-23	Spacer element	Afstandsstykke	3	
13	2	487 1702-09	Hinge	Hængsel	3	
14	1	487 1702-33	Sensor	Føler	3	Essex
15	1	487 1457-XX	Coin meter	Møntsorterer		See illustr. 200145
16	1	471 8910-91	Sensor	Føler		Müller See illustr. 200145
	1	471 8916-50	Sensor	Føler		Müller 100 Yen See illustr. 200145
17	4	488 6549-27	Screw	Skrue	3	M4x15
18	1	487 0118-00	Sign	Skilt	3	Gas Japan
19	1	487 0106-07	Cover plate	Afdækningsplade	3	Graphitegrey
	1	487 2336-43	Cover plate	Afdækningsplade	3	Silvergry
20	1	487 1702-27	Type plade	Typeskilt	3	30T
21	1	763 1001-01	Pilot lamp	Kontrollampe	3	230-240V
	2	763 1001-01	Pilot lamp	Kontrollampe	3	230-240V Japan
22	1	763 1802-01	Lamp glass	Lampeglas	3	Red
	2	763 1802-01	Lamp glass	Lampeglas	3	Red Japan
23	1	488 8090-27	Diode	Diode	3	Japan
24	1	763 1806-01	Lamp glass	Lampeglas	3	Yellow Japan



Issue Month Year
03 05 05

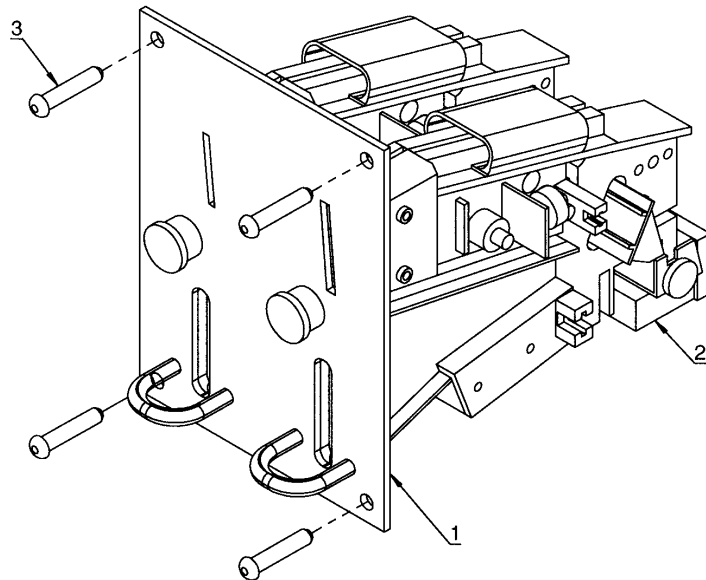
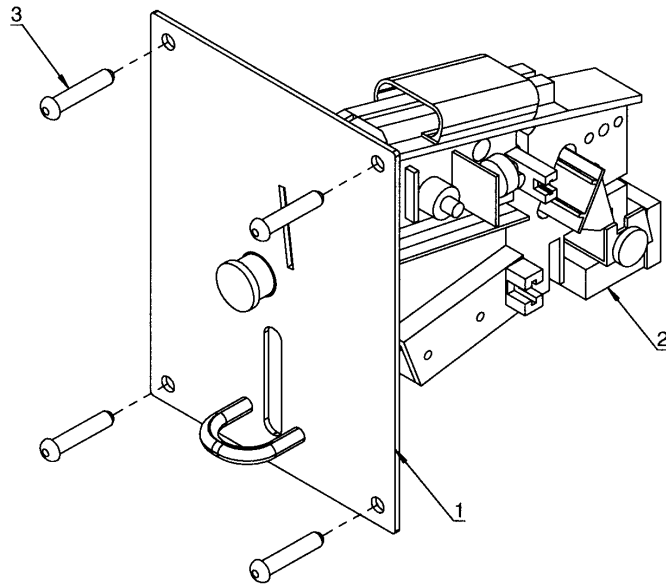
300T,TT300

Coin meter, complete

Møntsorterer, komplet

Illustration Issue Month Year
 Illustration Issue Month Year
200145/2 7 4 2007

Item Nr.	Qua Ant.	Art.No Art. nr	Description	Beskrivelse	Info Info	Notes Bemærk
1	1	487 1457-03	Coin meter	Møntsorterer	3	100 Yen Japan
	1	487 1457-04	Coin meter	Møntsorterer	3	1 Euro+50 Eurocent
	1	487 1457-05	Coin meter	Møntsorterer	3	1£ 20pence GB
	1	487 1457-06	Coin meter	Møntsorterer	3	1+5 Dkr.
	1	487 1457-07	Coin meter	Møntsorterer	3	10+50 Dollar Taiwan
	1	487 1457-08	Coin meter	Møntsorterer	3	1+2 Dkr.
	1	487 1457-09	Coin meter	Møntsorterer	3	1+10 Dkr.
	1	487 1457-10	Coin meter	Møntsorterer	3	2+5 Dkr.
	1	487 1457-11	Coin meter	Møntsorterer	3	2+10 Dkr.
	1	487 1457-12	Coin meter	Møntsorterer	3	5+10 Dkr.
	1	487 1457-13	Coin meter	Møntsorterer	3	1+5 Nkr.
	1	487 1457-14	Coin meter	Møntsorterer	3	10+1 Nkr.
	1	487 1457-15	Coin meter	Møntsorterer	3	10+5 Nkr.
	1	487 1457-16	Coin meter	Møntsorterer	3	10+20 Nkr.
	1	487 1457-17	Coin meter	Møntsorterer	3	1+0,20 CHFranc
	1	487 1457-18	Coin meter	Møntsorterer	3	1+5 Shekel Israel
	1	487 1457-19	Coin meter	Møntsorterer	3	2+5 Rand ZA
	1	487 1457-20	Coin meter	Møntsorterer	3	1+5 Dollar Hongkong
	1	487 1457-21	Coin meter	Møntsorterer	3	100 + 500 Yen Japan
	1	487 1457-22	Coin meter	Møntsorterer	3	1 Dollar+20 cent
	1	487 1457-23	Coin meter	Møntsorterer	3	10+50 Eurocent
	1	487 1457-24	Coin meter	Møntsorterer	3	1 Euro+10 Eurocent
	1	487 1457-25	Coin meter	Møntsorterer	3	1 Euro+20 Eurocent
	1	487 1457-26	Coin meter	Møntsorterer	3	1+2Euro
	1	487 1457-27	Coin meter	Møntsorterer	3	2 Euro+20 Eurocent
	1	487 1457-28	Coin meter	Møntsorterer	3	1MYR Ø24,5X2,7 + 0,5MYR Ø27,7X2,1 Malaysia
	1	487 1457-29	Coin meter	Møntsorterer	3	Mench Ø24,52X2,49 Belgium
	1	487 1457-31	Coin meter	Møntsorterer	3	1AED Ø24,0x2,0
	1	487 1457-32	Coin meter	Møntsorterer	3	1 Dollar Australia
	1	487 1457-33	Coin meter	Møntsorterer	3	20 Kr. CS
	1	487 1457-34	Coin meter	Møntsorterer	3	1 Dkr.
	1	487 1457-35	Coin meter	Møntsorterer	3	2 Dkr.
	1	487 1457-36	Coin meter	Møntsorterer	3	10 Dkr.
	1	487 1457-37	Coin meter	Møntsorterer	3	10 Eurocent
	1	487 1457-38	Coin meter	Møntsorterer	3	20 Eurocent
	1	487 1457-39	Coin meter	Møntsorterer	3	50 Eurocent
	1	487 1457-40	Coin meter	Møntsorterer	3	1 Euro
	1	487 1457-41	Coin meter	Møntsorterer	3	20 pence Ø21,4x1,75
	1	487 1457-42	Coin meter	Møntsorterer	3	1 Dollar Hongkong
	1	487 1457-43	Coin meter	Møntsorterer	3	5 Dollar Hongkong
	1	487 1457-45	Coin meter	Møntsorterer	3	500 Won Korea
	1	487 1457-46	Coin meter	Møntsorterer	3	0,2 MYR
	1	487 1457-47	Coin meter	Møntsorterer	3	0,5 MYR
	1	487 1457-48	Coin meter	Møntsorterer	3	1 SKr.
	1	487 1457-49	Coin meter	Møntsorterer	3	5 SKr.
	1	487 1457-50	Coin meter	Møntsorterer	3	10 SKr.
	1	487 1457-51	Coin meter	Møntsorterer	3	50cent SGP
	1	487 1457-52	Coin meter	Møntsorterer	3	1 Dollar SGP
	1	487 1457-53	Coin meter	Møntsorterer	3	10 Dollar Taiwan
	1	487 1457-54	Coin meter	Møntsorterer	3	2 Rand ZA
	1	487 1457-55	Coin meter	Møntsorterer	3	1 Nkr.
	1	487 1457-56	Coin meter	Møntsorterer	3	5 Nkr.
	1	487 1457-57	Coin meter	Møntsorterer	3	10 Nkr.
	1	487 1457-58	Coin meter	Møntsorterer	3	AEG Token Ø21x1,85
	1	487 1457-59	Coin meter	Møntsorterer	3	AEG Token ø25,75x1,5
	1	487 1457-60	Coin meter	Møntsorterer	3	AEG Token Ø26x2,1
	1	487 1457-61	Coin meter	Møntsorterer	3	AEG Token Ø22,5x2
	1	487 1457-62	Coin meter	Møntsorterer	3	Austromat Ø 21,6x1,55



Issue Month Year
03 05 05

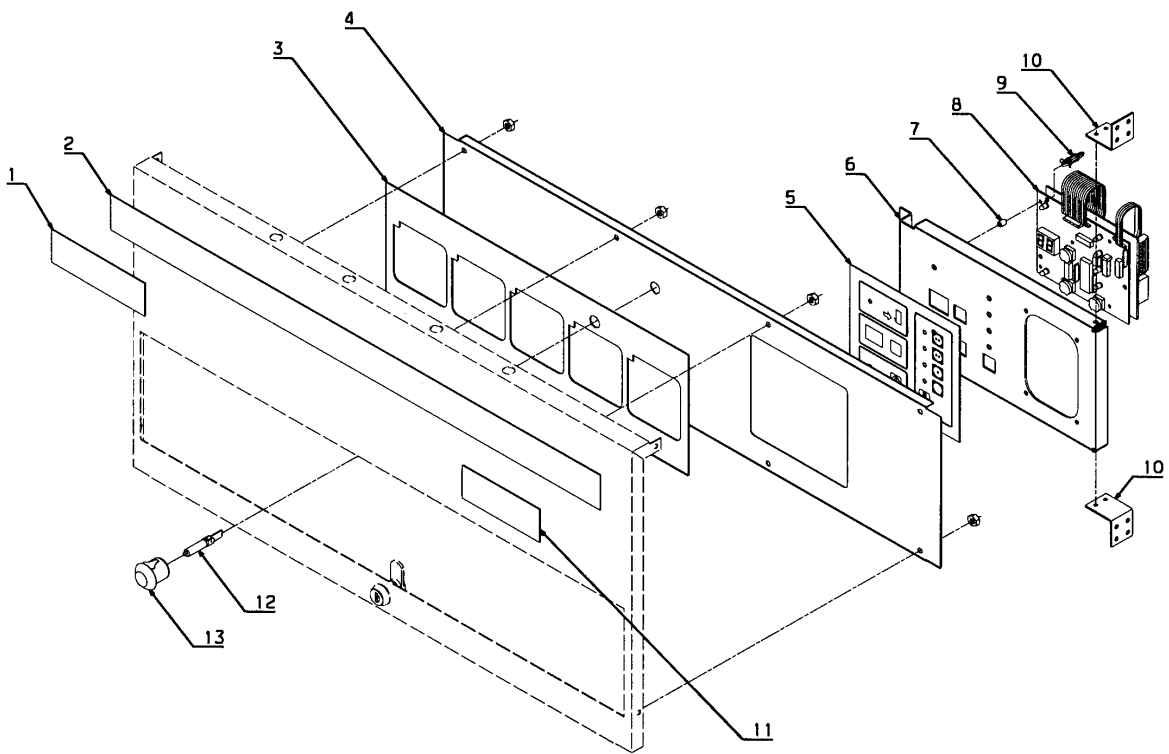
300T,TT300

Coin meter, complete

Møntsorterer, komplet

Illustration	Issue	Month	Year
Illustration	Issue	Month	Year
200145/2	7	4	2007

Item Nr.	Qua Ant.	Art.No Art. nr	Description	Beskrivelse	Info Info	Notes Bemærk
	1	487 1457-63	Coin meter	Møntsorterer	3	Automatik Token Ø20x1,6 NL
	1	487 1457-64	Coin meter	Møntsorterer	3	BHG gas - coin
	1	487 1457-65	Coin meter	Møntsorterer	3	Token el-coin
	1	487 1457-66	Coin meter	Møntsorterer	3	RM el-coin
	1	487 1457-67	Coin meter	Møntsorterer	3	Elux Token Ø24,3x1,5
	1	487 1457-68	Coin meter	Møntsorterer	3	Finnish token Ø26,3x1,9
	1	487 1457-69	Coin meter	Møntsorterer	3	Coin Meter Ø22,3x1,5 Hongkong
	1	487 1457-70	Coin meter	Møntsorterer	3	Micromatik Token1
	1	487 1457-71	Coin meter	Møntsorterer	3	Micromatik Token2
	1	487 1457-72	Coin meter	Møntsorterer	3	Miele Token Ø28,07x1,85
	1	487 1457-73	Coin meter	Møntsorterer	3	Miele Token Ø23,02x1,8
	1	487 1457-74	Coin meter	Møntsorterer	3	Nyborg Coin-operated
	1	487 1457-75	Coin meter	Møntsorterer	3	1 Token Müller Ø25,0x2,0
	1	487 1457-76	Coin meter	Møntsorterer	3	Müller Token Ø25
	1	487 1457-77	Coin meter	Møntsorterer	3	NL FAM Ø28,42x2
	1	487 1457-78	Coin meter	Møntsorterer	3	NY1 Token
	1	487 1457-79	Coin meter	Møntsorterer	3	NY2 Token
	1	487 1457-80	Coin meter	Møntsorterer	3	NY3 Token
	1	487 1457-81	Coin meter	Møntsorterer	3	NY 4 Token Ø27,3x1,6
	1	487 1457-82	Coin meter	Møntsorterer	3	SAB Token
	1	487 1457-83	Coin meter	Møntsorterer	3	Sporrong Ø24,3x1,27
	1	487 1457-85	Coin meter	Møntsorterer	3	VØ 1 Token
	1	487 1457-86	Coin meter	Møntsorterer	3	VØ 2 Token
	1	487 1457-87	Coin meter	Møntsorterer	3	WA 1 Token Ø24,3x1,5
	1	487 1457-88	Coin meter	Møntsorterer	3	WA 2 Token
	1	487 1457-89	Coin meter	Møntsorterer	3	WA 3 Token Ø190x1,0
	1	487 1457-90	Coin meter	Møntsorterer	3	WA 4 Token
	1	487 1457-91	Coin meter	Møntsorterer	3	WA 5 Token Ø22,35x1,6
	1	487 1457-92	Coin meter	Møntsorterer	3	WA 6 Token Ø23,7x1,3
	1	487 1457-93	Coin meter	Møntsorterer	3	Wasch Center Token Ø23,5x1,3
	1	487 1457-95	Coin meter	Møntsorterer	3	1+0,5 Dollar New Zealand
	1	487 1457-96	Coin meter	Møntsorterer	3	Token Ø32x2,0 322PL
2	1	487 0281-98	Sensor	Føler	3	
	1	487 0281-99	Sensor	Føler	3	Japan
3	4	488 6549-27	Screw	Skrue	3	M4x15



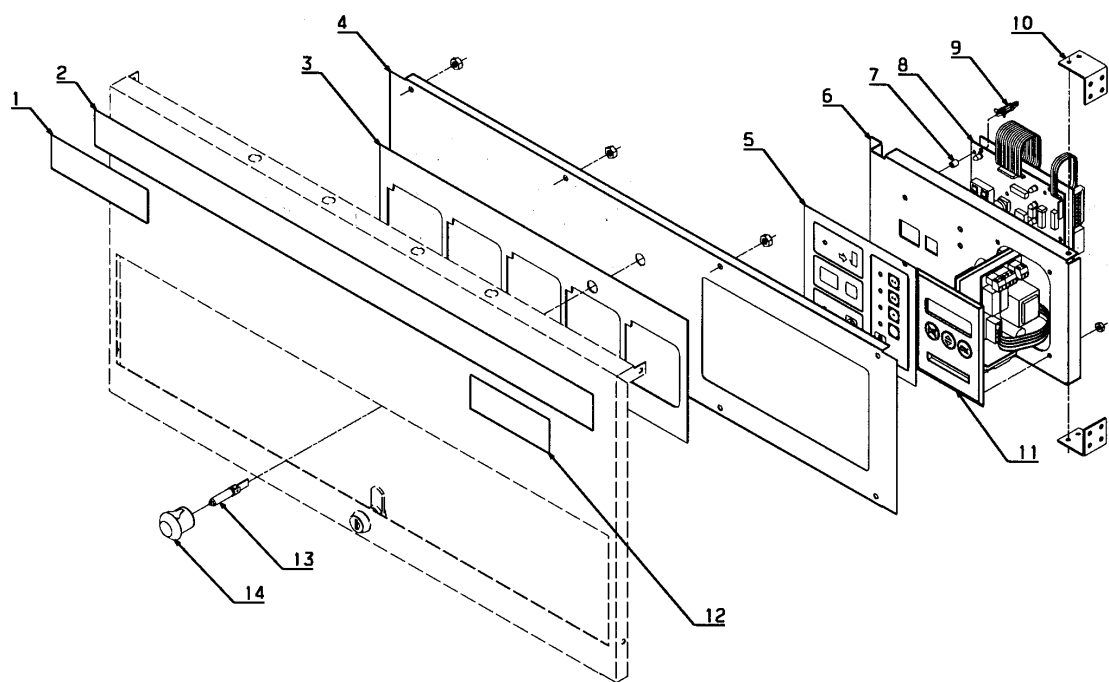
300T,TT300

Control unit, central control

Betjeningsenhed, centralstyring

Illustration Issue Month Year
Illustration Issue Month Year
101047/3 16 8 2005

Item Nr.	Qua Ant.	Art.No Art. nr	Description	Beskrivelse	Info Info	Notes Bemærk
1	1	487 1702-26	Type plade	Typeskilt	3	Nyborg
2	1	487 1702-28	Type plade	Typeskilt	3	Wascator
3	1	487 1702-70	Instruction plate	Instruktionsskilt	3	
	1	487 1702-59	Instruction plate	Instruktionsskilt	3	HW.
4	1	487 1702-42	Panel plate	Panelplade	3	
	1	487 1813-02	Panel plate	Panelplade	3	HW.
5	1	487 1702-12	Operation sign	Betjeningsskilt	3	
	1	487 1702-68	Operation sign	Betjeningsskilt	3	Gas
6	1	487 0191-11	Inner plate	Inderplade	3	Müller
7	6	487 1535-21	Spacer element	Afstandsstykke	3	
8	1	489 0112-61	Printed circuit board	Printplade	1,2	Complete
9	4	487 0191-23	Spacer element	Afstandsstykke	3	
10	2	487 1702-09	Hinge	Hængsel	3	
11	1	487 1702-27	Type plade	Typeskilt	3	30T
12	1	763 1001-01	Pilot lamp	Kontrollampe	3	230-240V
13	1	763 1802-01	Lamp glass	Lampeglas	3	Red



Issue	Month	Year
02	08	00

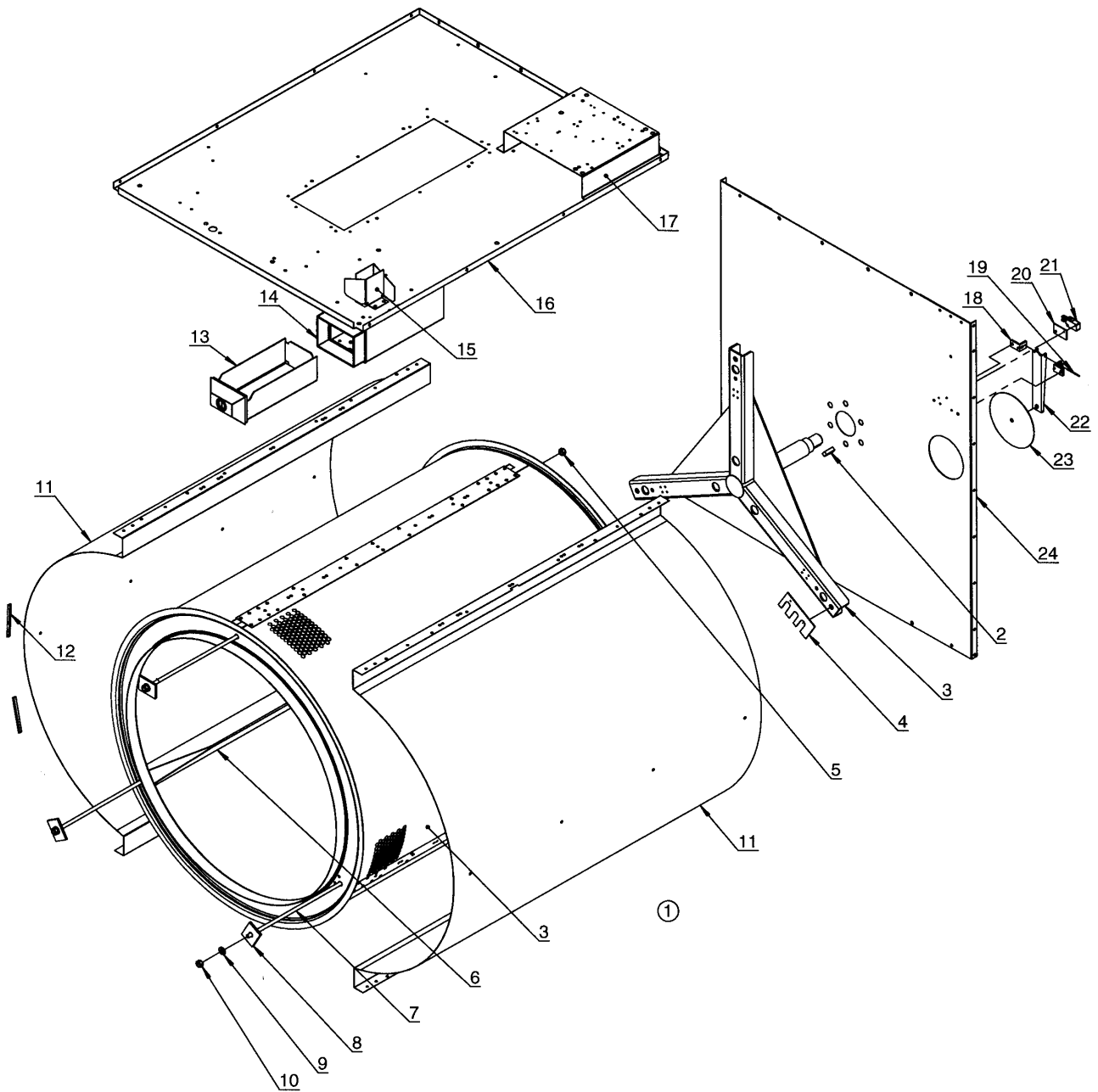
300T,TT300

Control panel with Single System

Betjeningspanel, Single System

Illustration Issue Month Year
Illustration Issue Month Year
101558/1 4 3 2004

Item Nr.	Qua Ant.	Art.No Art. nr	Description	Beskrivelse	Info Info	Notes Bemærk
1	1	487 1702-26	Type plade	Typeskilt	3	Nyborg
2	1	487 1702-28	Type plade	Typeskilt	3	Wascator
3	1	487 1702-70	Instruction plate	Instruktionsskilt	3	Müller/Essex
	1	487 1702-59	Instruction plate	Instruktionsskilt	3	
4	1	487 1702-40	Panel plate	Panelplade	3	
5	1	487 1702-68	Operation sign	Betjeningsskilt	3	
6	1	487 0191-11	Inner plate	Inderplade	3	Müller
7	6	487 1535-21	Spacer element	Afstandsstykke	3	
8	1	489 0112-61	Printed circuit board	Printplade	1,2	Complete
9	4	487 0191-23	Spacer element	Afstandsstykke	3	
10	2	487 1702-09	Hinge	Hængsel	3	
11	1	487 0287-40	Single System	Single System	3	Complete Swedish
	1	487 0287-41	Single System	Single System	3	Complete English
	1	487 0287-42	Single System	Single System	3	Complete German
	1	487 0287-45	Single System	Single System	3	Complete Danish
	1	487 0287-46	Single System	Single System	3	Complete Finnish
	1	487 0287-47	Single System	Single System	3	Complete Norwegian
	1	487 0288-42	Single System	Single System	3	Complete Coin op
12	1	487 1702-27	Type plade	Typeskilt	3	30T
13	1	763 1001-01	Pilot lamp	Kontrollampe	3	230-240V
14	1	763 1802-01	Lamp glass	Lampeglas	3	Red



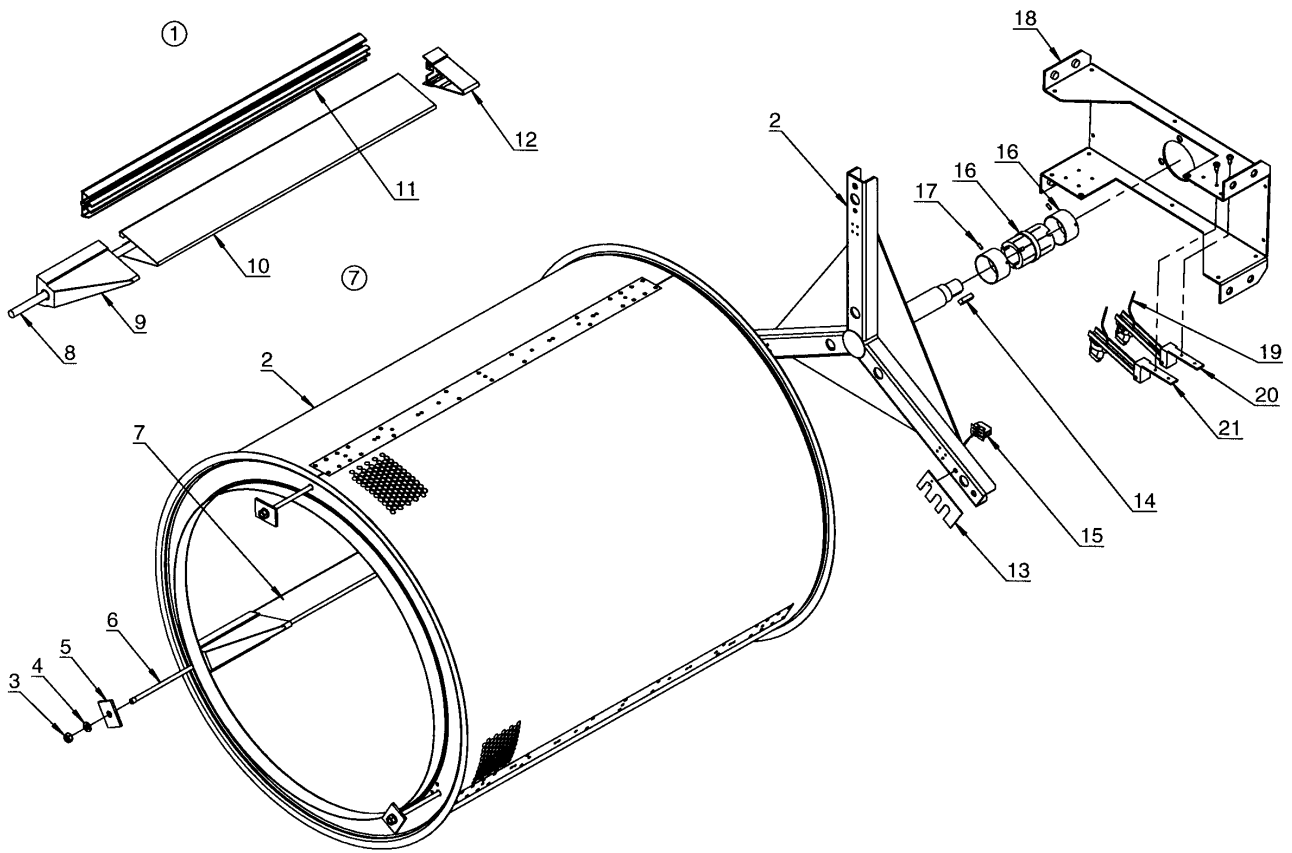
300T,TT300

Drum, compl.

Tromle, komplet

Illustration Issue Month Year
Illustration Issue Month Year
101043/18 8 2 2006

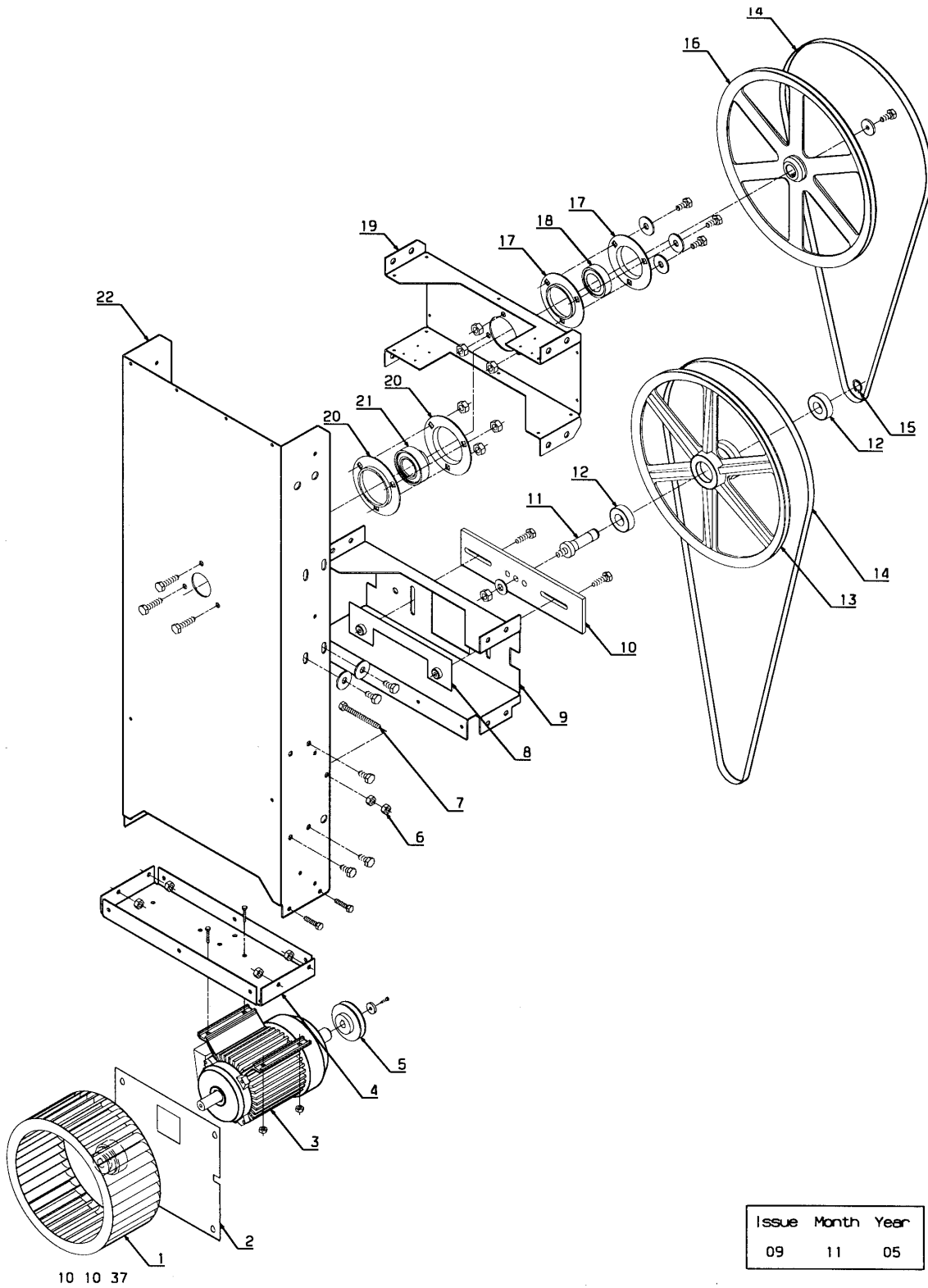
Item Nr.	Qua Ant.	Art.No Art. nr	Description	Beskrivelse	Info Info	Notes Bemærk
1	1	471 1764-62	Drum, transmission	Tromle, transmission	3	Galvanised Complete -0001/11719
	1	471 1764-63	Drum, transmission	Tromle, transmission	3	Stainless Complete -0001/11719
2	1	487 0151-89	•Wedge	•Kile	3	8X7X27,3mm 0001/11720-
3	1	471 1764-24	•Drum with shaft cross	•Tromle med akselkryds	3	Galvanised 0001/11720-
	1	471 1764-25	•Drum with shaft cross	•Tromle med akselkryds	3	Stainless 0001/11720-
4	1	487 2193-01	••Under lay	••Underlag	3	0,7mm
	1	487 1756-01	••Under lay	••Underlag	3	1,0mm
	1	487 2193-02	••Under lay	••Underlag	3	1,2mm
	1	487 1756-02	••Under lay	••Underlag	3	1,5mm
5	3	732 2118-01	••Locking nut	••Låsemøtrik		M8
6	3	487 1816-62	••Lifter	••Vulst	3	Galvanised 0001/11720-
	3	487 1816-12	••Lifter	••Vulst	3	Stainless 0001/11720-
7	3	487 1694-78	••Brace	••Stag	3	
8	3	487 1694-69	••End stop	••Endestop	3	
9	3	734 1164-31	••Disc	••Skive		M8
10	3	732 2118-01	••Locking nut	••Låsemøtrik		M8
11	2	487 1694-93	Casing	Svøb	3	
12	1	489 6249-32	Rubber strip	Gummiliste	3	
13	1	487 1694-92	Coin box	Møntskuffe	3	
	1	487 1702-69	Coin box	Møntskuffe	3	Japan
14	1	487 1756-79	Coin box	Møntboks	3	Silvergrey
15	1	487 1763-08	Coin meter accessory	Møntdele	3	Müller
	1	487 1756-69	Coin meter accessory	Møntdele	3	Essex
16	1	487 1701-07	Buttom plate	Bundplade	3	
17	1	487 1820-37	Bracket	Konsol	3	
18	2	472 7308-01	Bracket	Holder	3	
19	1	471 7903-03	Shaft	Aksel	3	
20	1	471 2068-48	Insulation	Isolering	3	
21	1	487 1897-05	Microswitch	Microswitch	1,2	
22	1	472 7307-01	Arm	Arm	3	
23	1	471 8502-18	Disc	Skive	3	D=123,5
24	1	487 1694-28	Rear panel	Bagplade	3	



300T,TT300**Drum with moisture sensor****Tromle med fugtighedsføler**

Illustration	Issue	Month	Year
Illustration	Issue	Month	Year
101536/11	11	8	2006

Item Nr.	Qua Ant.	Art.No Art. nr	Description	Beskrivelse	Info Info	Notes Bemærk
1	1	471 1764-64	Drum, transmission	Tromle, transmission	3	Galvanised Complete -0001/11719
	1	471 1764-65	Drum, transmission	Tromle, transmission	3	Stainless Complete -0001/11719
2	1	471 1764-32	•Drum with shaft cross	•Tromle med akselkryds	3	Galvanised Complete 0001/11720-
	1	471 1764-33	•Drum with shaft cross	•Tromle med akselkryds	3	Stainless Complete 0001/11720-
3	3	732 2118-01	••Locking nut	••Låsemøtrik		M8
4	3	734 1164-31	••Disc	••Skive		M8
5	3	487 1694-69	••End stop	••Endestop	3	
6	3	487 1694-78	••Brace	••Stag	3	
7	3	487 1975-21	••Lifter	••Vulst	3	Galvanised Complete 0001/11720-
	3	487 1975-22	••Lifter	••Vulst	3	Stainless Complete 0001/11720-
8	1	487 1870-32	•••Pipe	•••Rør	3	0001/11720-
9	1	487 1820-92	•••End part	•••Endestykke	3	0001/11720-
10	1	487 1870-35	•••Lifter	•••Vulst	3	Galvanised 0001/11720-
	1	487 1870-31	•••Lifter	•••Vulst	3	Stainless 0001/11720-
11	1	487 1870-33	•••Profile	•••Profil	3	0001/11720-
12	1	487 1820-93	•••End part	•••Endestykke	3	0001/11720-
13	1	487 2193-01	••Under lay	••Underlag	3	0,7mm
	1	487 1756-01	••Under lay	••Underlag	3	1,0mm
	1	487 2193-02	••Under lay	••Underlag	3	1,2mm
	1	487 1756-02	••Under lay	••Underlag	3	1,5mm
14	1	487 0151-89	•Wedge	•Kile	3	8X7X27,3mm 0001/11720-
15	1	487 1728-97	Cable set	Ledningssæt	3	
16	1	487 1870-00	Sensor	Føler	3	Complete
17	3	728 5289-00	•Screw	•Skrue	3	M4x10
18	1	487 1694-30	Schaft carrier	Akselholder	3	
19	1	487 1728-95	Cable set	Ledningssæt	3	
20	1	487 0101-98	Sensor	Føler	3	Complete Right
21	1	487 0101-97	Sensor	Føler	3	Complete Left



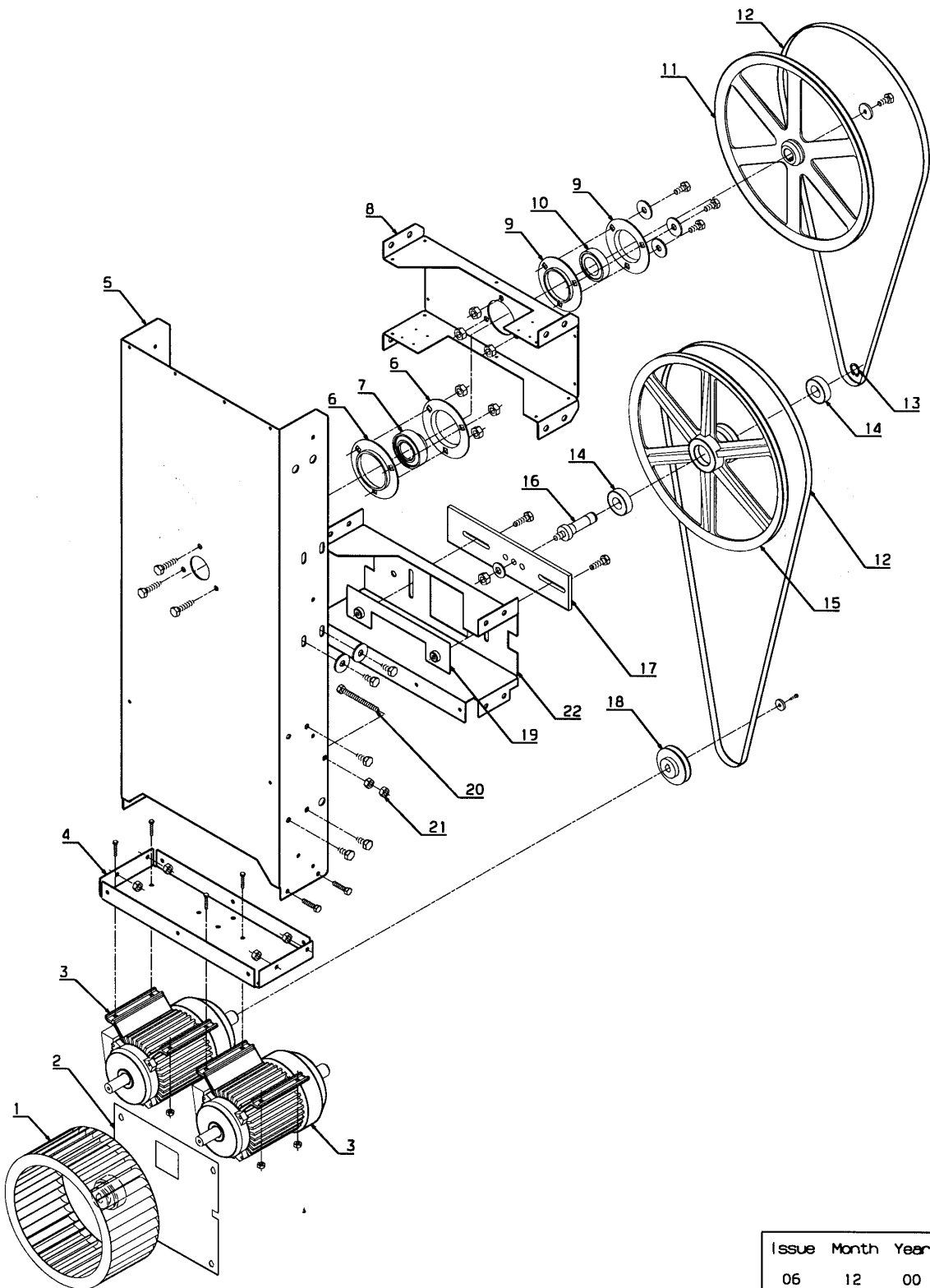
300T,TT300

Motoralternative without reversing

Motoralternativ uden reversering

Illustration Issue Month Year
Illustration Issue Month Year
101037/8 21 7 2007

Item Nr.	Qua Ant.	Art.No Art. nr	Description	Beskrivelse	Info Info	Notes Bemærk
1	1	487 1976-71	Fan wheel	Blæserhjul	3	Ø225
2	1	487 1694-85	Flange	Flange	3	
* 3	1	487 1773-05	Motor	Motor	3	Complete 230-240V 1AC 50/60Hz -9709/4657
	1	487 0289-52	•Capacitor	•Kondensator	1	12µF
*	1	487 1773-95	Motor	Motor	1	230-240V 1AC 50/60Hz 9709/4658-
	1	487 1702-94	Motor	Motor	1	230-240V 1AC 50/60Hz -9610/2578
	1	487 1702-99	Motor	Motor	3	200/230/400V 3AC 50/60Hz -9610/2578
*	1	487 1702-95	Motor	Motor	3	230-250/350-440V 3AC 50/60Hz 9610/2579-
4	1	487 1763-83	Motor suspension unit	Motorophæng	3	AEG
	1	487 1763-85	Motor suspension unit	Motorophæng	3	Hanning
5	1	487 1695-04	Pulley	Kileremhjul	3	50Hz -9902/8213
	1	487 1695-28	Pulley	Kileremhjul	3	50Hz 9902/8214-
	1	487 1695-03	Pulley	Kileremhjul	3	60Hz -9902/8213
	1	487 1695-29	Pulley	Kileremhjul	3	60Hz 9902/8214-
	1	487 1701-88	Conversion 50Hz to 60Hz	Ombygningssæt fra 50Hz til 60Hz	3	Japan
	1	487 1701-89	Conversion 60Hz to 50Hz	Ombygningssæt fra 60Hz til 50Hz	3	Japan
6	6	731 2316-01	Nut	Møtrik		M6
7	1	488 0118-99	Screw	Skrue	3	M8X100
8	1	487 1694-34	Spacer	Mellemstykke	3	
9	1	487 1763-82	Bracket	Holder	3	
10	1	487 1694-32	Plate	Plade	3	
11	1	487 1694-35	Shaft	Aksel	3	
12	2	738 2104-04	Ball bearing	Kugleleje	3	
13	1	487 1695-08	Pulley	Mellemhjul	3	50/60Hz
14	2	487 1694-55	V-belt	Kilerem	1,2	
15	1	735 3122-00	C-clamp	Seegerring	3	D20
16	1	487 1973-43	Assembly set	Montagedele	3	Kit -0001/11719
	1	487 0149-14	•Pulley	•Kileremhjul	3	0001/11720-
17	1	487 1694-52	Bearing disc	Lejeskive	3	
18	1	487 1694-53	Bearing	Leje	1,2	
19	1	487 1694-30	Schaft carrier	Akselholder	3	
20	1	487 1694-48	Bearing disc	Lejeskive	3	
21	1	487 1694-49	Bearing	Leje	3	
22	1	487 1763-84	Column	Søjle	3	



10 12 53

Issue	Month	Year
06	12	00

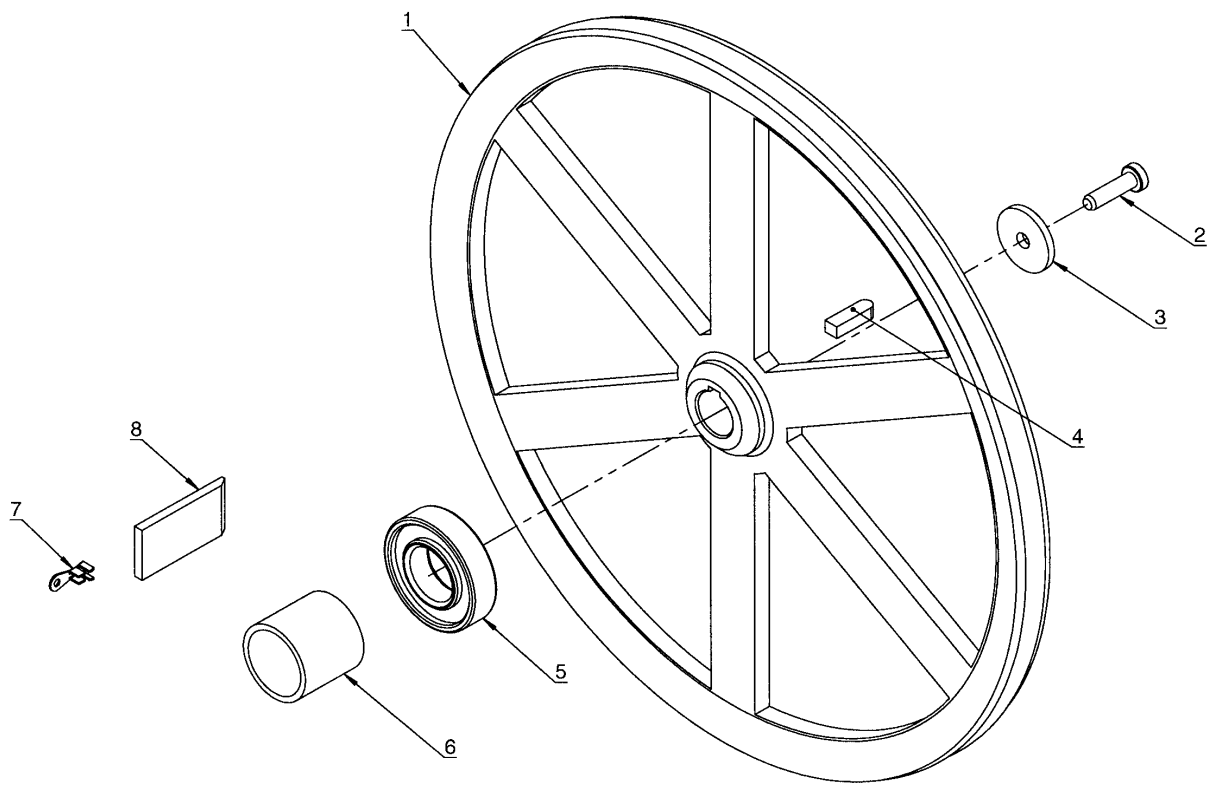
300T,TT300

Motor alternative with reversing

Motoralternativ med reversering

Illustration Issue Month Year
Illustration Issue Month Year
101253/5 18 7 2007

Item Nr.	Qua Ant.	Art.No Art. nr	Description	Beskrivelse	Info Info	Notes Bemærk
1	1	487 1976-71	Fan wheel	Blæserhjul	3	Ø225
2	1	487 1694-85	Flange	Flange	3	
3	2	487 1773-05	Motor	Motor	1	Complete 230-240V 1AC 50/60Hz -9709/4657
*	2	487 0289-52	•Capacitor	•Kondensator	1	12µF
*	2	487 1773-95	Motor	Motor	1	230-240V 1AC 50/60Hz 9709/4658-
	2	487 1702-94	Motor	Motor	1	230-240V 1AC 50/60Hz -9610/2578
	2	487 1702-99	Motor	Motor	1	200/230/400V 3AC 50/60Hz -9610/2578
	2	487 1702-95	Motor	Motor	1	230-250/350-440V 3AC 50/60Hz 9610/2579-
4	1	487 1763-83	Motor suspension unit	Motorophæng	3	AEG
	1	487 1763-85	Motor suspension unit	Motorophæng	3	Hanning
5	1	487 1763-84	Column	Søjle	3	
6	1	487 1694-48	Bearing disc	Lejeskive	3	
7	1	487 1694-49	Bearing	Leje	1	
8	1	487 1694-30	Schaft carrier	Akselholder	3	
9	1	487 1694-52	Bearing disc	Lejeskive	3	
10	1	487 1694-53	Bearing	Leje	1	
* 11	1	487 1973-43	Assembly set	Montagedele		Kit See illustr. 200476 -0001/11719
*	1	487 0149-14	Pulley	Kileremhjul	3	
12	2	487 1694-55	V-belt	Kilerem	1	
13	1	735 3122-00	C-clamp	Seegerring	3	D20
14	2	738 2104-04	Ball bearing	Kugleleje	1	
15	1	487 1695-08	Pulley	Mellemhjul	3	50/60Hz
16	1	487 1694-35	Shaft	Aksel	3	
17	1	487 1694-32	Plate	Plade	3	
18	1	487 1695-04	Pulley	Kileremhjul	3	50Hz -9902/8213
	1	487 1695-28	Pulley	Kileremhjul	3	50Hz 9902/8214-
	1	487 1695-03	Pulley	Kileremhjul	3	60Hz -9902/8213
	1	487 1695-29	Pulley	Kileremhjul	3	60Hz 9902/8214-
19	1	487 1694-34	Spacer	Mellemstykke	3	
20	1	488 0118-99	Screw	Skruer	3	M8X100
21	6	731 2316-01	Nut	Møtrik		M6
22	1	487 1763-82	Bracket	Holder	3	



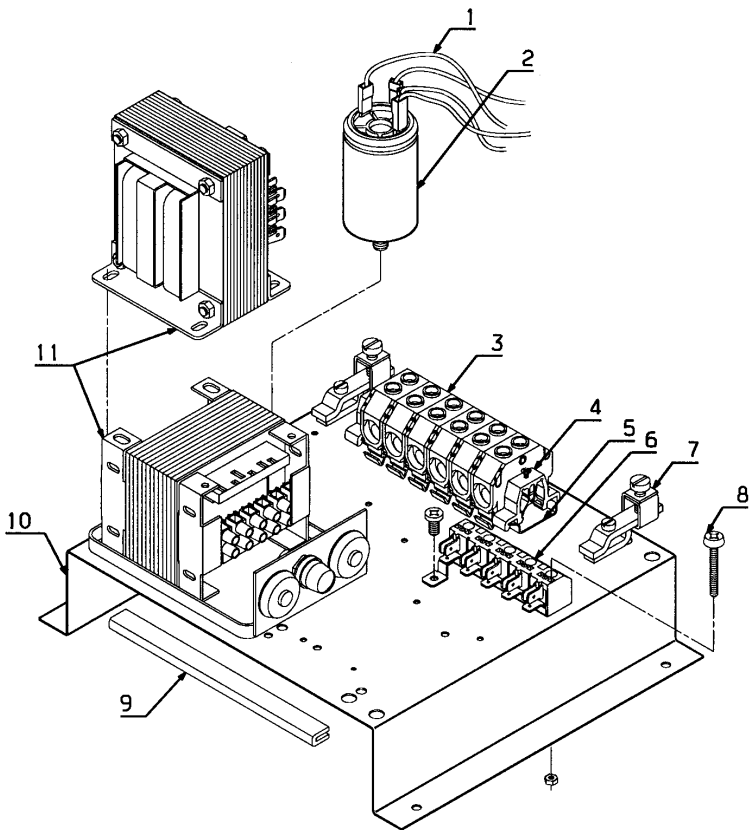
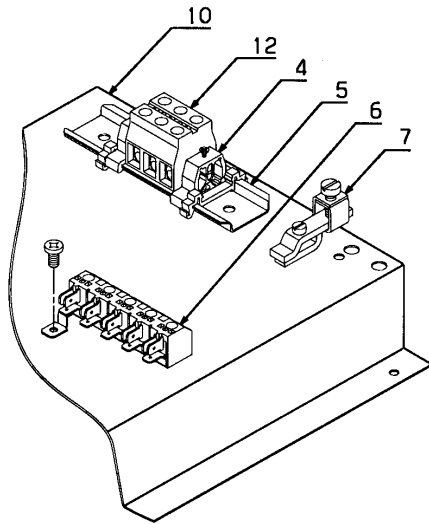
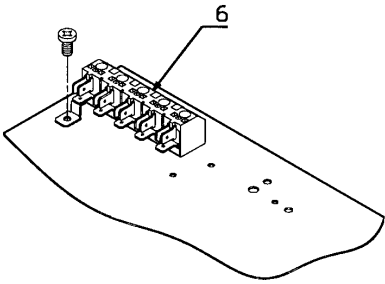
300T,TT300 -0001/11719

Assembly set - transmission

Illustration	Issue	Month	Year
Illustration	Issue	Month	Year
200476/1	1	6	2007

Montagedele - transmission

Item Nr.	Qua Ant.	Art.No Art. nr	Description	Beskrivelse	Info Info	Notes Bemærk
1	1	487 1973-43	Assembly set	Montagedele	3	
2	1	488 0140-30	•Screw	•Skrue	3	M8X30
3	1	487 1694-56	•Disc	•Skive	3	Ø35XØ8,5X4
4	1	487 0151-89	•Wedge	•Kile	3	8X7X27,3mm
5	1	487 1694-53	•Bearing	•Leje	1	
6	1	487 2126-03	•Pipe	•Rør	3	
7	1	487 7057-01	•Ring cable connector	•Ringkabelsko	3	M4
8	1	487 1756-09	•Wedge	•Kile	3	30x60mm



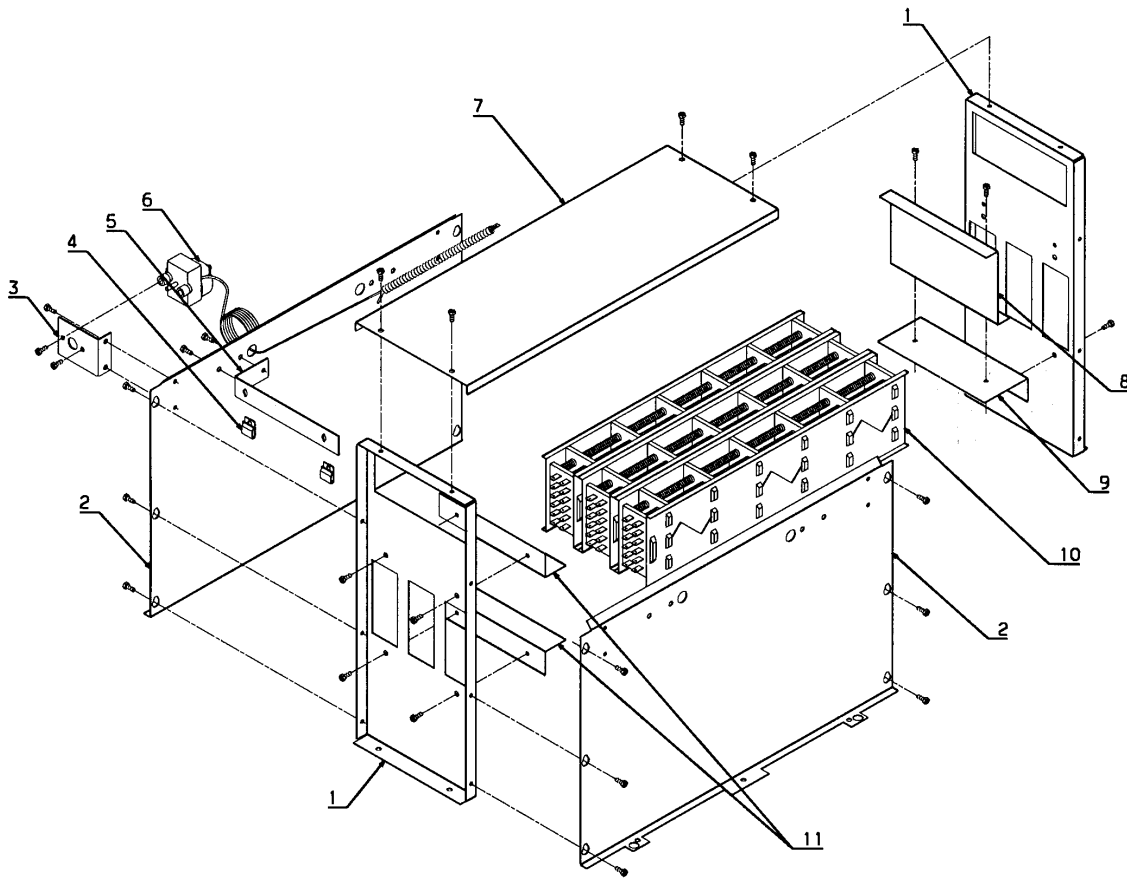
300T,TT300

Connection unit, el, gas, steam

Tilslutningsenhed, el, gas, damp

Illustration Issue Month Year
Illustration Issue Month Year
101291/4 6 2 2000

Item Nr.	Qua Ant.	Art.No Art. nr	Description	Beskrivelse	Info Info	Notes Bemærk
1	1	487 1812-13	Cable set	Ledningssæt	3	1AC
	1	487 1871-16	Cable set	Ledningssæt	3	3AC
2	1	487 1535-79	X/Y capacitor	X/Y kondensator	1,2	
3	RQ	487 1385-09	Terminal block	Klemrække	3	
4	2	487 1384-04	End stop	Endestop	3	
5	1	488 8334-16	Rail	Skinne	3	
6	1	471 8731-01	Terminal block	Klemrække	3	
7	RQ	762 7110-80	Ground terminal	Jordklemme	3	
8	2	724 1232-01	Screw	Skrue		M3X25
9	1	487 1730-00	Profile	Profil	1	
10	1	487 1820-37	Bracket	Konsol	3	
11	1	471 9010-80	Transformer	Transformator	1	
	1	487 1535-42	Transformer	Transformator	1	Japan
12	1	487 1384-02	Connection clamp	Tilslutningsklemme	3	



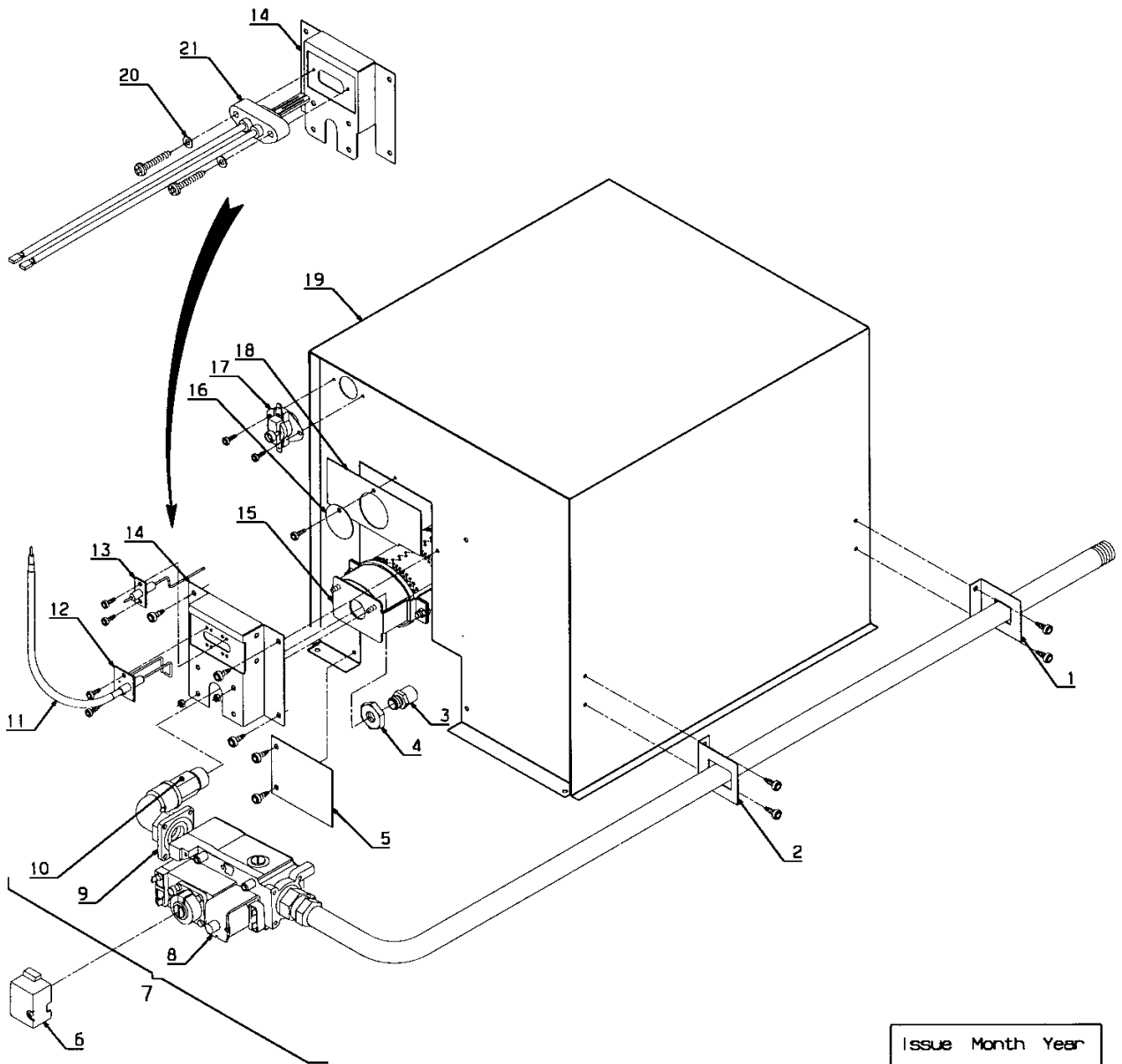
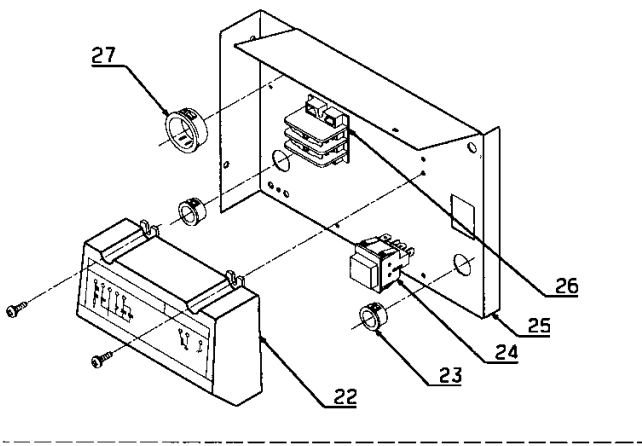
300T,TT300

Heating unit, electric

Varmeenhed, el

Illustration Issue Month Year
Illustration Issue Month Year
101200/2 8 3 2004

Item Nr.	Qua Ant.	Art.No Art. nr	Description	Beskrivelse	Info Info	Notes Bemærk
1	2	487 1781-01	End piece	Gavl	3	
2	2	487 1781-04	Side plate	Sideplade	3	
3	1	487 1781-09	Bracket	Holder	3	
4	2	471 7854-02	Clips	Klips	3	
5	1	487 1781-08	Bracket	Holder	3	
6	1	487 1535-84	Overheat protection	Overhedningssikring	1,2	185°C
7	1	487 1781-03	Top panel	Topplade	3	
8	1	487 1781-07	Clamp	Klemme	3	
9	1	487 1781-06	Bracket	Holder	3	
10	RQ	487 1531-71	Heating element	Varmeelement	1,2	200V 4,5kW
	RQ	487 1531-64	Heating element	Varmeelement	1,2	230V 4,5kW
	RQ	487 1531-65	Heating element	Varmeelement	1,2	240V 4,5kW
	RQ	487 1531-66	Heating element	Varmeelement	1,2	440V 4,5kW
	RQ	487 1531-70	Heating element	Varmeelement	1,2	200V 6kW
	RQ	487 1531-61	Heating element	Varmeelement	1,2	230V 6kW
	RQ	487 1531-62	Heating element	Varmeelement	1,2	240V 6kW
11	RQ	487 1531-63	Heating element	Varmeelement	1,2	440V 6kW
	2	487 1781-05	Bracket	Holder	3	



Issue	Month	Year
11	08	00

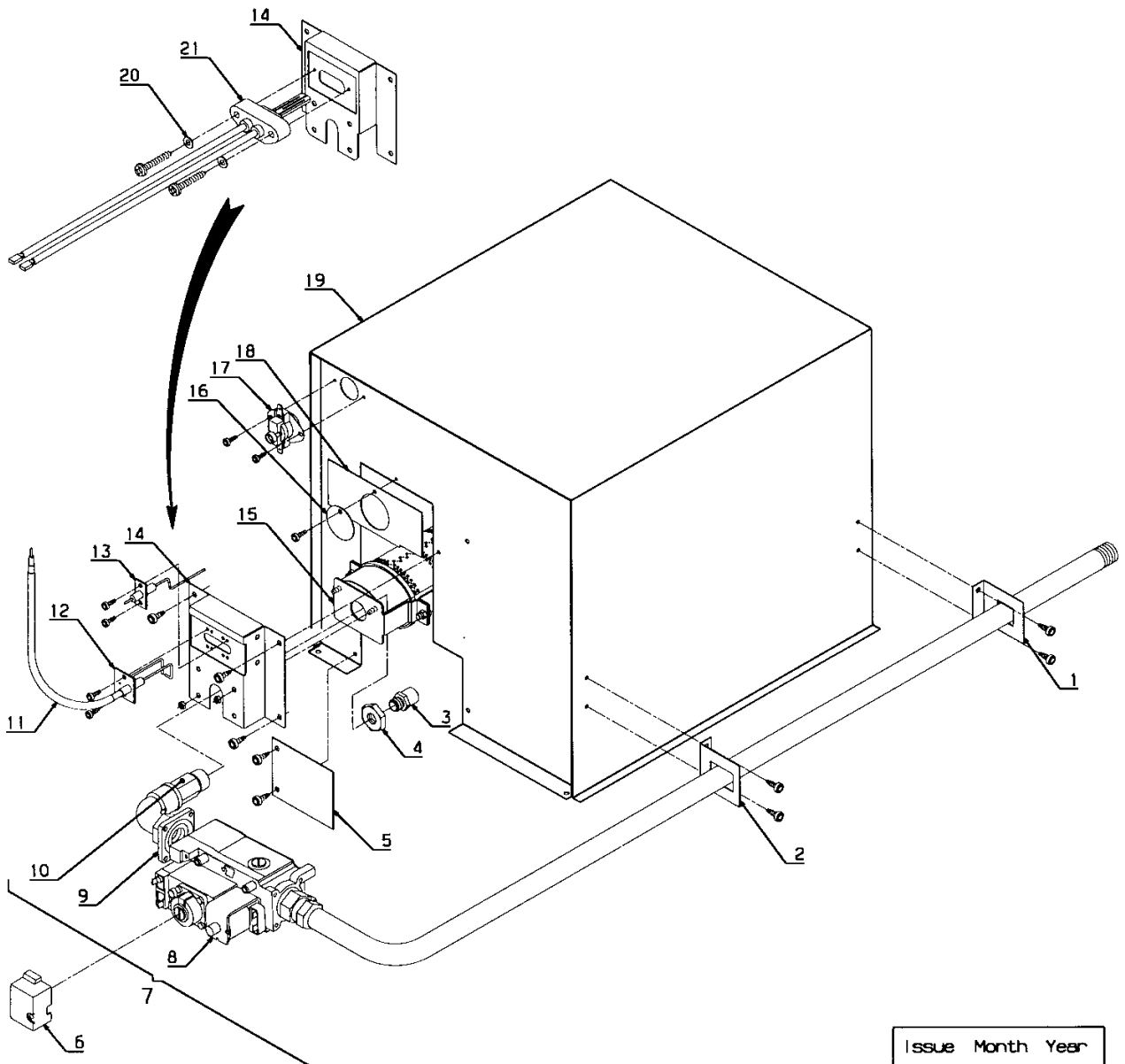
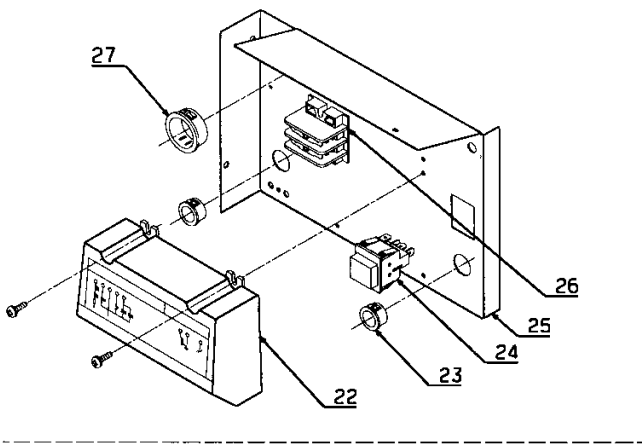
300T,TT300

Heating unit, gas

Varmeenhed, gas

Illustration Issue Month Year
Illustration Issue Month Year
101038/11 17 11 2001

Item Nr.	Qua Ant.	Art.No Art. nr	Description	Beskrivelse	Info Info	Notes Bemærk
1	2	487 1701-19	Bracket	Holder	3	1/2"
	1	487 1701-47	Bracket	Holder	3	3/4"
2	1	487 1701-46	Bracket	Holder	3	3/4"
3	1	487 1764-40	Kit. Glowbar	Kit. Glowbar	3	Japan
	1	471 9853-65	Nozzle	Dyse	3	Ø2,2 LPG
	1	471 9853-85	Nozzle	Dyse	3	Ø2,3 LPG
	1	471 9853-69	Nozzle	Dyse	3	Ø2,4 LPG
	1	471 9853-68	Nozzle	Dyse	3	Ø3,3 GNH/GNL
	1	471 9853-60	Nozzle	Dyse	3	Ø3,8 GNH/GNL 6kW
	1	487 1764-42	Conversion to natural gas	Ombygningssæt til naturgas	3	Japan
	1	471 9853-80	Nozzle	Dyse	3	Ø4,0 GNH/ LPG
	1	471 9853-61	Nozzle	Dyse	3	Ø4,2 GNL
	1	487 1701-42	Nozzle	Dyse	3	Ø6,5 GT
	1	487 1701-68	Kit. Town gas	Kit. Bygas	3	50Hz Complete Japan
	1	487 1701-69	Kit. Town gas	Kit. Bygas	3	60Hz Complete
	1	487 1701-43	Nozzle	Dyse	3	Ø7,0 GT
4	1	471 8400-06	Nut	Møtrik	3	R3/8" 22NV H5
5	1	487 1701-25	Cover plate	Afdækningsplade	3	
6	1	487 1437-99	Hood	Hætte	3	
7	1	487 1974-10	Gas valve with pipe	Gasventil med rør	3	230V 50Hz Complete 1/2"
	1	487 1974-11	Gas valve with pipe	Gasventil med rør	3	230V 60Hz Complete 1/2"
	1	487 1701-68	Kit. Town gas	Kit. Bygas	3	50Hz Complete Japan
	1	487 1701-69	Kit. Town gas	Kit. Bygas	3	60Hz Complete Japan
	1	487 1974-12	Valve with air reducing plate and pipe	Ventil med blændplade og rør	3	230V 50Hz Complete 1/2"
	1	487 1974-13	Valve with air reducing plate and pipe	Ventil med blændplade og rør	3	230V 60Hz Complete 1/2"
8	1	487 1437-01	Gas valve	Gasventil	1,2	230V 50Hz 1/2"
	1	487 1437-02	Gas valve	Gasventil	1,2	230V 60Hz 1/2"
	1	487 1437-10	Gas valve	Gasventil	1,2	230V 50Hz 3/4"
	1	487 1437-09	Gas valve	Gasventil	1,2	230V 60Hz 3/4"
	1	487 1437-05	Gas valve with air reducing plate	Gasventil med blændplade	1,2	230V 50Hz 1/2"
	1	487 1437-06	Gas valve with air reducing plate	Gasventil med blændplade	1,2	230V 60Hz 1/2"
9	1	487 1701-28	Flange	Flange	3	3/4"
10	1	487 1701-14	Nipple	Nippel	3	1/2"- 3/8" -9808/6765
	1	487 1747-76	Nipple	Nippel	3	1/2"- 3/8" 9808/6766-
	1	487 1764-14	Nipple	Nippel	3	1/2"- 3/8" GT
11	1	487 0068-27	Ignition cable	Tændkabel	3	GT
12	1	487 0068-20	Elektrode	Elektrode	3	
13	1	487 0068-28	Sensor	Føler	3	
14	1	487 1701-39	Bracket	Holder	3	Glowbar Complete
	1	487 1701-26	Bracket	Holder	3	GT Complete
	1	487 1764-10	Bracket	Holder	3	60Hz Town gas
	1	487 1701-84	Bracket	Holder	3	GT Town gas
15	1	487 1701-17	Gas burner	Gasbrænder	3	LPG
	1	487 1701-85	Gas burner	Gasbrænder	3	
16	1	487 1701-22	Cover	Afdækning	3	
17	1	471 8815-04	Thermostat	Termostat	1,2	
	1	487 1697-03	Thermostat	Termostat	1,2	Japan
18	1	487 1701-24	Cover	Afdækning	3	
19	1	487 1701-99	Combustion chamber	Forbrændingskammer	3	
20	2	487 1764-11	Disc	Skive	3	
21	1	487 1701-21	Gas igniter	Gastænder	3	50/60Hz
22	1	487 1438-01	Control box	Kontrolboks	3	GT
	1	487 1438-02	Control box	Kontrolboks	3	Auto - Reset GT
	1	487 1438-03	Control box	Kontrolboks	3	Glowbar
	1	487 1438-04	Control box	Kontrolboks	3	Auto - Reset Glowbar



Issue	Month	Year
11	08	00

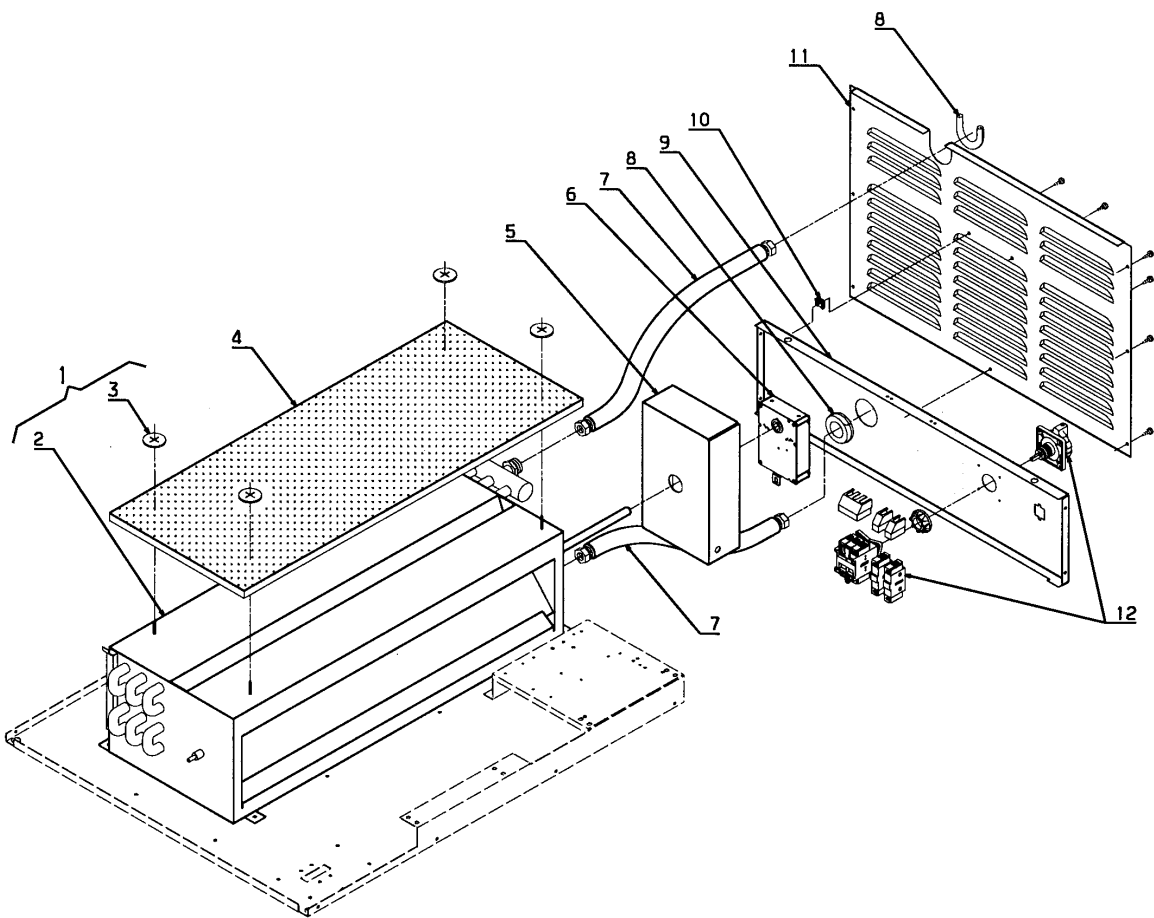
300T,TT300

Heating unit, gas

Varmeenhed, gas

Illustration Issue Month Year
Illustration Issue Month Year
101038/11 17 11 2001

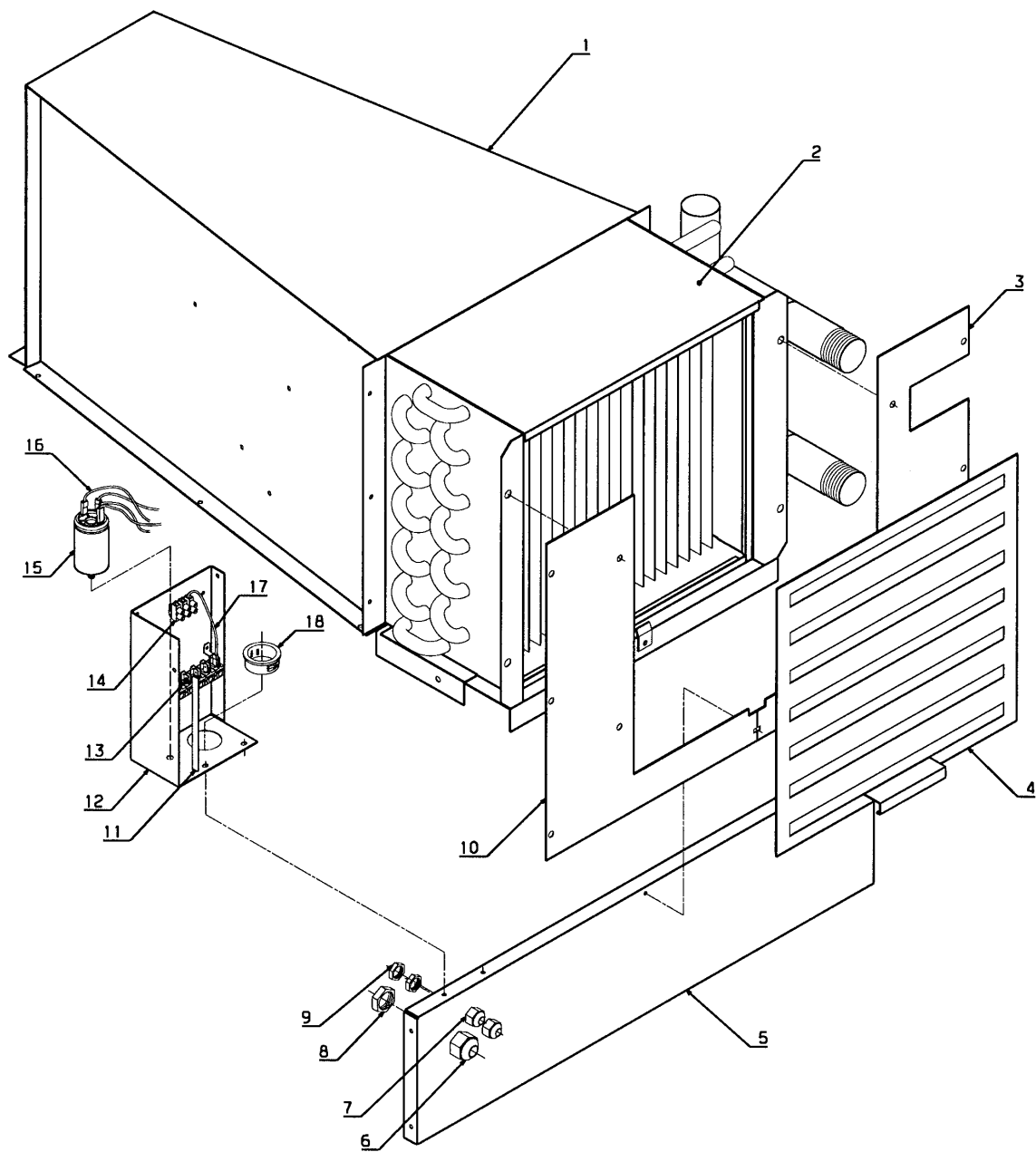
Item Nr.	Qua Ant.	Art.No Art. nr	Description	Beskrivelse	Info Info	Notes Bemærk
23	2	762 1137-10	Cable gland	Kabelgennemføring	3	Ø16
24	1	471 9610-18	Push-button	Trykknop	3	
25	1	487 1897-86	Bracket	Holder	3	
26	1	489 7085-17	Terminal block	Klemrække	3	2-pole
27	1	762 1191-10	Cable gland	Kabelgennemføring	3	Ø28



300T,TT300**Heating unit, steam****Varmeenhed, damp**

Illustration	Issue	Month	Year
Illustration	Issue	Month	Year
101245/4	10	8	2005

Item Nr.	Qua Ant.	Art.No Art. nr	Description	Beskrivelse	Info Info	Notes Bemærk
1	1	472 7864-10	Steam battery	Dampbatteri	3	Complete
2	1	487 1781-53	•Steam battery	•Dampbatteri	3	
3	10	471 8509-00	Insulating sheet	Isoleringsskive	3	
4	1	472 8243-02	Insulation	Isolering	3	
5	1	487 1781-52	Screening	Afskærmning	3	
6	1	487 1781-51	Damper motor	Spjældmotor	1,2	
7	2	487 1781-91	Hose	Slange	3	
8	2	487 1781-59	Grommet	Gennemføring	3	
9	1	487 1781-58	Beam	Bjælke		See illustr. 101042
10	2	471 7864-05	Captive nut	Speed-nut	3	
11	1	487 1781-56	Baffle plate	Afskærmningsplade		See illustr. 101042
12	1	487 1781-73	Safety switch	Sikkerhedsafbryder		Complete See illustr. 101042



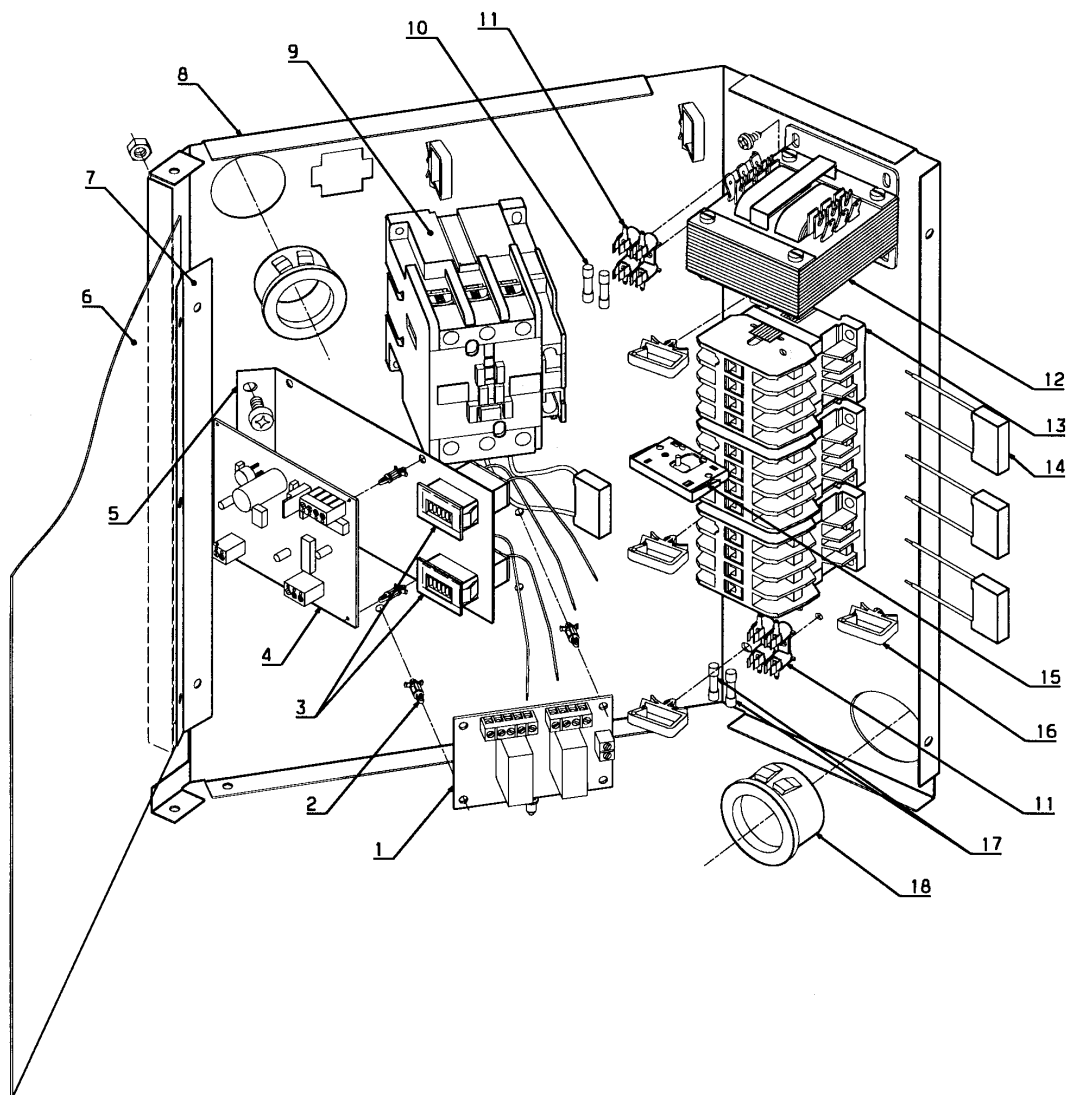
300T,TT300

Hot water heating unit, complete

Varmeenhed, varmt vand, komplet

Illustration Issue Month Year
Illustration Issue Month Year
101289/1 1 8 2000

Item Nr.	Qua Ant.	Art.No Art. nr	Description	Beskrivelse	Info Info	Notes Bemærk
1	1	487 1975-51	Air channel	Luftkanal	3	
2	1	487 1812-78	•Heating element	•Kalorifer	1,2	
3	1	487 1812-87	•Rear panel	•Bagplade	3	Right
4	1	487 1812-77	Filter	Filter	3	
5	1	487 1781-92	Beam	Bjælke	3	See illustr. 101042
6	1	487 1318-12	Cable glands	Kabelforskruning	3	
7	2	487 1318-10	Cable glands	Kabelforskruning	3	M16
8	1	487 1318-06	Nut	Møtrik	3	
9	2	487 1318-02	Nut	Møtrik	3	M16
10	1	487 1812-79	Bracket	Konsol	3	
11	1	487 1730-00	Profile	Profil	3	
12	1	487 1812-79	Bracket	Konsol	3	
13	1	471 8731-01	Terminal block	Klemrække	3	
14	1	762 7203-57	Terminal block	Klemrække	3	
15	1	487 1535-79	X/Y capacitor	X/Y kondensator	1,2	
16	1	487 1812-13	Cable set	Ledningssæt	3	
17	1	487 1728-67	Cable set	Ledningssæt	3	3AC
18	1	762 1212-10	Cable gland	Kabelgennemføring	3	Ø38



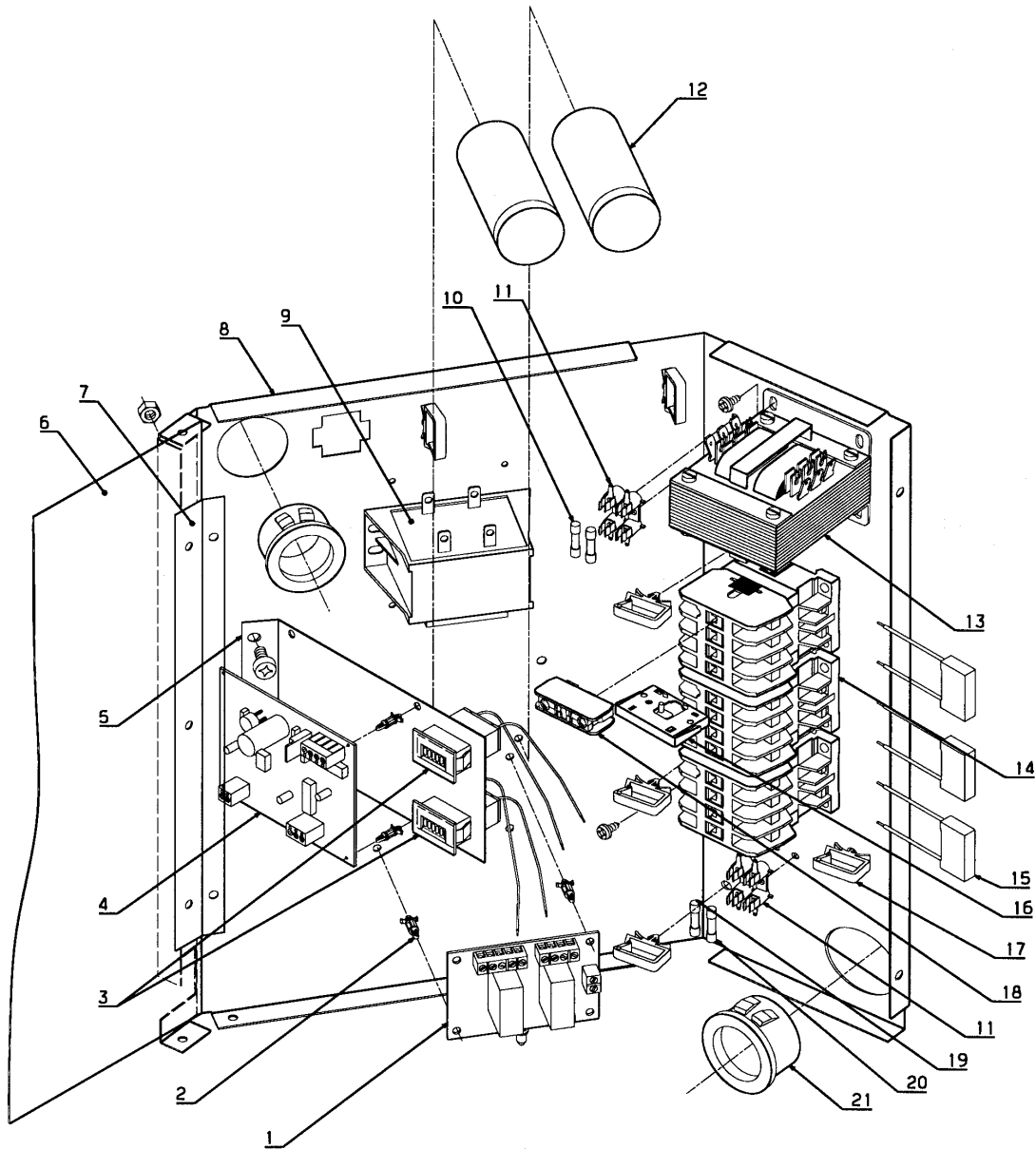
300T,TT300

Control unit, electric

Automatenhed, el

Illustration Issue Month Year
Illustration Issue Month Year
101243/7 17 8 2005

Item Nr.	Qua Ant.	Art.No Art. nr	Description	Beskrivelse	Info Info	Notes Bemærk
1	1	487 1686-49	Printed circuit board	Printplade	1,2	
2	8	487 1705-04	Spacer element	Afstandsstykke	3	
3	2	472 7487-15	Impulse counter	Impulstæller	1,2	
4	1	472 7487-12	Printed circuit board	Printplade	1,2	
5	1	472 7487-17	Fitting	Beslag	3	
6	1	487 1831-30	Cover	Afdækning	3	
7	1	487 1831-29	Rail	Skinne	3	
8	1	487 1820-07	Component plate	Komponentplade	3	
9	1	487 1535-68	Relay	Relæ	1,2	240V 60Hz Heating
	1	487 1535-67	Relay	Relæ	1,2	230V 50Hz Heating
10	2	471 9004-45	Precision fuse	Finsikring	1,2	1,25A
11	2	488 4329-01	Fuse holder	Sikringsholder	3	
12	1	487 1535-40	Transformer	Transformator	1	230-400V 3/3NAC 50/60Hz -9606/1049
	1	487 1535-51	Transformer	Transformator	1	9606/1050-
	1	487 1535-42	Transformer	Transformator	1	
13	RQ	767 5112-09	Relay	Relæ	1,2	208-230V 50Hz
	RQ	767 5111-09	Relay	Relæ	1,2	208-230V 60Hz
14	RQ	487 0289-17	RC-unit	RC-led	1,2	
15	1	487 1535-65	Catch	Spærre	1,2	
16	7	487 1511-72	Cable retainer	Kabelholder	3	
17	2	488 7307-04	Precision fuse	Finsikring	1,2	2,5AT
18	2	762 1212-10	Cable gland	Kabelgennemføring	3	Ø38



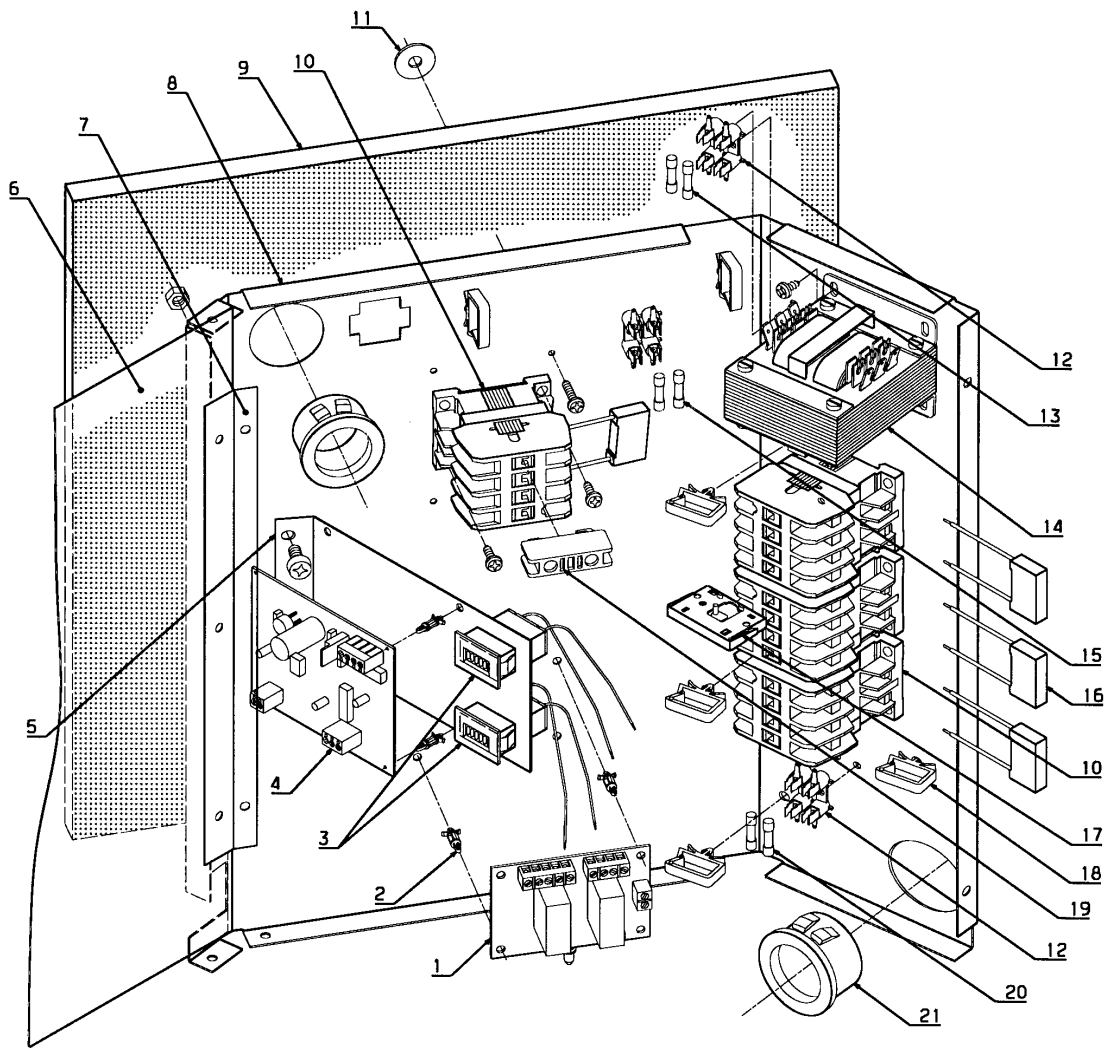
300T,TT300

Control unit, gas

Automatenhed, gas

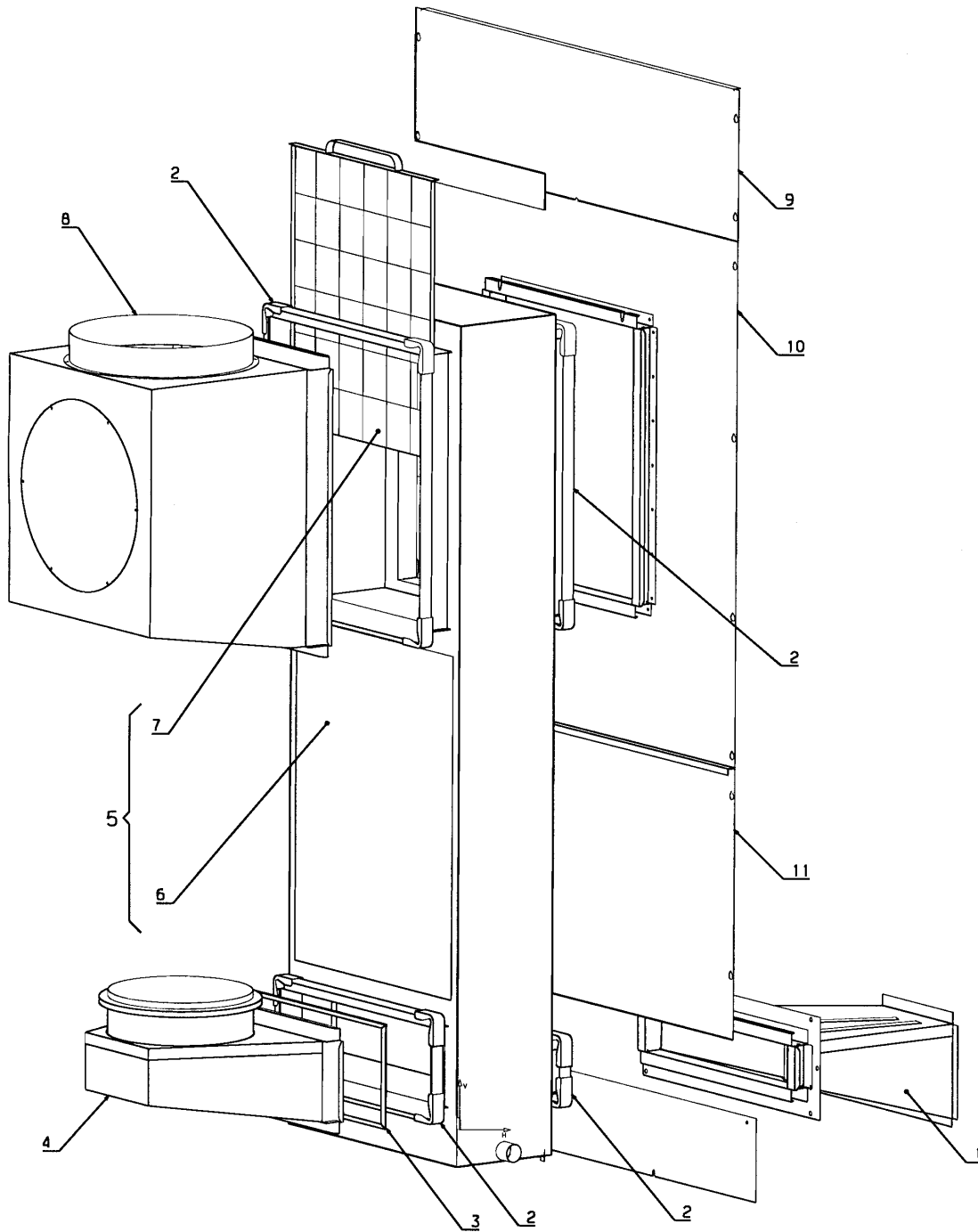
Illustration Issue Month Year
Illustration Issue Month Year
101242/7 15 8 2005

Item Nr.	Qua Ant.	Art.No Art. nr	Description	Beskrivelse	Info Info	Notes Bemærk
1	1	487 1686-49	Printed circuit board	Printplade	1,2	
2	8	487 1705-04	Spacer element	Afstandsstykke	3	
3	2	472 7487-15	Impulse counter	Impulstæller	1,2	
4	1	472 7487-12	Printed circuit board	Printplade	1,2	
5	1	472 7487-17	Fitting	Beslag	3	
6	1	487 1831-30	Cover	Afdækning	3	
7	1	487 1831-29	Rail	Skinne	3	
8	1	487 1820-07	Component plate	Komponentplade	3	
9	1	487 1686-73	Transformer	Transformator	1,2	10VA 230V Japan
10	2	471 9004-45	Precision fuse	Finsikring	1,2	1,25A
11	2	488 4329-01	Fuse holder	Sikringsholder	3	
12	2	487 1763-79	Capacitor	Kondensator	1,2	12µF Australia
13	1	487 1535-40	Transformer	Transformator	1	230-400V 3/3NAC 50/60Hz -9606/1049
	1	487 1535-42	Transformer	Transformator	1	
	1	487 1535-51	Transformer	Transformator	1,2	9606/1050-
14	RQ	767 5112-09	Relay	Relæ	1,2	208-230V 50Hz
	RQ	767 5111-09	Relay	Relæ	1,2	208-230V 60Hz
15	RQ	487 0289-17	RC-unit	RC-led	1,2	
16	1	487 1535-65	Catch	Spærre	1,2	
17	6	487 1511-72	Cable retainer	Kabelholder	3	
18	1	767 5101-92	Contact block	Kontaktelement	1,2	Green Australia
19	1	471 8750-04	Precision fuse	Finsikring	1,2	6,3A
20	1	488 7307-04	Precision fuse	Finsikring	1,2	2,5AT
21	2	762 1212-10	Cable gland	Kabelgennemføring	3	Ø38



300T,TT300**Control unit, steam/ hot water**Illustration Issue Month Year
Illustration Issue Month Year**Automatenhed, damp/hw.****101241/6 15 8 2005**

Item Nr.	Qua Ant.	Art.No Art. nr	Description	Beskrivelse	Info Info	Notes Bemærk
1	1	487 1686-47	Printed circuit board	Printplade	1,2	Complete Steam
	1	487 1686-77	Printed circuit board	Printplade	1,2	Complete HW.
2	8	487 1705-04	Spacer element	Afstandsstykke	3	
3	2	472 7487-15	Impulse counter	Impulstæller	1,2	
4	1	472 7487-12	Printed circuit board	Printplade	1,2	
5	1	472 7487-17	Fitting	Beslag	3	
6	1	487 1831-30	Cover	Afdækning	3	
7	1	487 1831-29	Rail	Skinne	3	
8	1	487 1820-07	Component plate	Komponentplade	3	
9	1	487 1781-57	Insulating plate	Isolationsplade	3	
10	RQ	767 5112-09	Relay	Relæ	1,2	208-230V 50Hz
	RQ	767 5111-09	Relay	Relæ	1,2	208-230V 60Hz
11	4	488 0020-05	Disc	Skive		M5
12	3	488 4329-01	Fuse holder	Sikringsholder	3	
13	2	471 9004-45	Precision fuse	Finsikring	1,2	1,25A
14	1	487 1535-40	Transformer	Transformator	1	230-400V 3/3NAC 50/60Hz
	1	487 1535-42	Transformer	Transformator	1	
	1	489 0112-46	Transformer with 1,25A fuse	Transformator med 1,25A sikring	1	Complete
	1	487 1535-51	Transformer	Transformator	1	HW.
15	2	487 1535-03	Precision fuse	Finsikring	1,2	0,5A
16	RQ	487 0289-17	RC-unit	RC-led	1,2	
17	1	487 1535-65	Catch	Spærre	1,2	
18	6	487 1511-72	Cable retainer	Kabelholder	3	
19	1	767 5102-92	Contact block	Kontaktelement	1,2	Red
	1	767 5101-92	Contact block	Kontaktelement	1,2	Green
20	2	488 7307-04	Precision fuse	Finsikring	1,2	2,5AT
21	2	762 1212-10	Cable gland	Kabelgennemføring	3	Ø38



10 12 64

Issue	Month	Year
01	08	00

300T,TT300

Heat Pipes, joined

Heat Pipes, samlet

Illustration Issue Month Year
Illustration Issue Month Year
101264/1 5 3 2005

Item Nr.	Qua Ant.	Art.No Art. nr	Description	Beskrivelse	Info Info	Notes Bemærk
1	1	487 1970-18	Funnel	Tragt	3	
2	1	487 1970-85	Rail	Skinne	3	Complete
3	1	487 2307-43	Sealing strip	Tætningsliste	1	5X15mm
4	1	487 1970-16	Exhaust channel	Udblæsningskanal	3	
5	1	487 1970-84	Heat Pipes, complete	Heat Pipes, komplet	3	
6	1	487 1970-14	•Service cover	•Service dæksel	3	
7	1	487 1970-12	•Filter	•Filter	3	
8	1	487 1970-15	Air inlet	Luftindtag	3	
9	1	487 1970-17	Rear panel	Bagplade	3	Top
10	1	487 1970-19	Rear panel	Bagplade	3	
11	1	487 1970-20	Rear panel	Bagplade	3	Lower

Numerical index/Numerical index

Art.No/Art. nr	Page/Side	Art.No/Art. nr	Page/Side	Art.No/Art. nr	Page/Side	Art.No/Art. nr	Page/Side
471 1764-24	27	487 0151-89	35	487 1318-02	47	487 1457-51	19
471 1764-25	27	487 0163-49	7	487 1318-06	47	487 1457-52	19
471 1764-32	29	487 0191-11	15	487 1318-10	47	487 1457-53	19
471 1764-33	29	487 0191-11	17	487 1318-12	47	487 1457-54	19
471 1764-62	27	487 0191-11	23	487 1318-13	9	487 1457-55	19
471 1764-63	27	487 0191-11	25	487 1348-05	9	487 1457-56	19
471 1764-64	29	487 0191-23	15	487 1384-02	37	487 1457-57	19
471 1764-65	29	487 0191-23	17	487 1384-04	37	487 1457-58	19
471 2068-48	27	487 0191-23	23	487 1385-09	37	487 1457-59	19
471 5976-01	13	487 0191-23	25	487 1437-01	41	487 1457-60	19
471 7854-02	39	487 0215-00	11	487 1437-02	41	487 1457-61	19
471 7864-05	13	487 0215-01	11	487 1437-05	41	487 1457-62	19
471 7864-05	45	487 0215-02	11	487 1437-06	41	487 1457-63	21
471 7903-03	27	487 0215-03	11	487 1437-09	41	487 1457-64	21
471 8400-06	41	487 0215-04	11	487 1437-10	41	487 1457-65	21
471 8502-18	27	487 0215-05	11	487 1437-99	41	487 1457-66	21
471 8509-00	45	487 0215-06	11	487 1438-01	41	487 1457-67	21
471 8731-01	37	487 0215-07	11	487 1438-02	41	487 1457-68	21
471 8731-01	47	487 0215-08	11	487 1438-03	41	487 1457-69	21
471 8750-04	51	487 0215-09	11	487 1438-04	41	487 1457-70	21
471 8752-04	9	487 0215-10	11	487 1457-03	19	487 1457-71	21
471 8815-04	41	487 0215-11	11	487 1457-04	19	487 1457-72	21
471 8910-91	17	487 0215-12	11	487 1457-05	19	487 1457-73	21
471 8916-50	17	487 0215-13	11	487 1457-06	19	487 1457-74	21
471 9004-45	49	487 0215-14	11	487 1457-07	19	487 1457-75	21
471 9004-45	51	487 0215-15	11	487 1457-08	19	487 1457-76	21
471 9004-45	53	487 0215-16	11	487 1457-09	19	487 1457-77	21
471 9010-80	37	487 0215-17	11	487 1457-10	19	487 1457-78	21
471 9610-18	43	487 0215-18	11	487 1457-11	19	487 1457-79	21
471 9853-60	41	487 0215-19	11	487 1457-12	19	487 1457-80	21
471 9853-61	41	487 0215-21	11	487 1457-13	19	487 1457-81	21
471 9853-65	41	487 0215-22	11	487 1457-14	19	487 1457-82	21
471 9853-68	41	487 0215-24	11	487 1457-15	19	487 1457-83	21
471 9853-69	41	487 0215-25	11	487 1457-16	19	487 1457-85	21
471 9853-80	41	487 0215-26	11	487 1457-17	19	487 1457-86	21
471 9853-85	41	487 0215-27	11	487 1457-18	19	487 1457-87	21
472 5537-08	7	487 0215-28	11	487 1457-19	19	487 1457-88	21
472 7307-01	27	487 0215-29	11	487 1457-20	19	487 1457-89	21
472 7308-01	27	487 0215-30	11	487 1457-21	19	487 1457-90	21
472 7348-01	9	487 0215-31	11	487 1457-22	19	487 1457-91	21
472 7487-12	49	487 0215-32	11	487 1457-23	19	487 1457-92	21
472 7487-12	51	487 0215-33	11	487 1457-24	19	487 1457-93	21
472 7487-12	53	487 0215-34	11	487 1457-25	19	487 1457-95	21
472 7487-15	49	487 0215-35	11	487 1457-26	19	487 1457-96	21
472 7487-15	51	487 0215-36	11	487 1457-27	19	487 1457-XX	17
472 7487-15	53	487 0215-37	11	487 1457-28	19	487 1502-23	11
472 7487-17	49	487 0215-38	11	487 1457-29	19	487 1511-72	49
472 7487-17	51	487 0215-39	11	487 1457-31	19	487 1511-72	51
472 7487-17	53	487 0215-40	11	487 1457-32	19	487 1511-72	53
472 7774-01	9	487 0215-41	13	487 1457-33	19	487 1531-61	39
472 7777-01	9	487 0215-70	13	487 1457-34	19	487 1531-62	39
472 7864-10	45	487 0281-98	21	487 1457-35	19	487 1531-63	39
472 8243-02	45	487 0281-99	21	487 1457-36	19	487 1531-64	39
487 0001-04	9	487 0287-40	25	487 1457-37	19	487 1531-65	39
487 0068-20	41	487 0287-41	25	487 1457-38	19	487 1531-66	39
487 0068-27	41	487 0287-42	25	487 1457-39	19	487 1531-70	39
487 0068-28	41	487 0287-45	25	487 1457-40	19	487 1531-71	39
487 0101-97	29	487 0287-46	25	487 1457-41	19	487 1535-03	53
487 0101-98	29	487 0287-47	25	487 1457-42	19	487 1535-21	15
487 0106-07	17	487 0288-42	25	487 1457-43	19	487 1535-21	17
487 0118-00	15	487 0289-17	49	487 1457-45	19	487 1535-21	23
487 0118-00	17	487 0289-17	51	487 1457-46	19	487 1535-21	25
487 0149-14	31	487 0289-17	53	487 1457-47	19	487 1535-40	49
487 0149-14*	33	487 0289-52	31	487 1457-48	19	487 1535-40	51
487 0151-89	27	487 0289-52	33	487 1457-49	19	487 1535-40	53
487 0151-89	29	487 1276-33	17	487 1457-50	19	487 1535-42	37

Numerical index/Numerical index

Art.No/Art. nr	Page/Side	Art.No/Art. nr	Page/Side	Art.No/Art. nr	Page/Side	Art.No/Art. nr	Page/Side
487 1535-42	49	487 1694-92	27	487 1702-59	23	487 1756-30	7
487 1535-42	51	487 1694-93	27	487 1702-59	25	487 1756-35	11
487 1535-42	53	487 1695-03	31	487 1702-60	15	487 1756-37	11
487 1535-51	49	487 1695-03	33	487 1702-68	15	487 1756-45	13
487 1535-51	51	487 1695-04	31	487 1702-68	17	487 1756-46	11
487 1535-51	53	487 1695-04	33	487 1702-68	23	487 1756-51	13
487 1535-65	49	487 1695-08	31	487 1702-68	25	487 1756-54	11
487 1535-65	51	487 1695-08	33	487 1702-69	27	487 1756-55	9
487 1535-65	53	487 1695-28	31	487 1702-70	17	487 1756-56	9
487 1535-67	49	487 1695-28	33	487 1702-70	23	487 1756-57	11
487 1535-68	49	487 1695-29	31	487 1702-70	25	487 1756-60	11
487 1535-69	7	487 1695-29	33	487 1702-94	31	487 1756-69	27
487 1535-79	37	487 1697-03	41	487 1702-94*	33	487 1756-79	27
487 1535-79	47	487 1697-04	7	487 1702-95*	31	487 1756-86	11
487 1535-84	39	487 1701-07	27	487 1702-95	33	487 1763-05	7
487 1535-91	7	487 1701-14	41	487 1702-99	31	487 1763-06	7
487 1535-92	7	487 1701-17	41	487 1702-99	33	487 1763-08	27
487 1535-93	7	487 1701-19	41	487 1703-23	15	487 1763-79	51
487 1535-94	7	487 1701-21	41	487 1703-80	15	487 1763-82	31
487 1535-95	7	487 1701-22	41	487 1703-81	15	487 1763-82	33
487 1535-96	7	487 1701-24	41	487 1703-82	15	487 1763-83	31
487 1535-97	7	487 1701-25	41	487 1705-04	49	487 1763-83	33
487 1535-98	7	487 1701-26	41	487 1705-04	51	487 1763-84	31
487 1535-99	9	487 1701-28	41	487 1705-04	53	487 1763-84	33
487 1600-11	9	487 1701-39	41	487 1707-11	7	487 1763-85	31
487 1626-04	7	487 1701-41	9	487 1707-12	7	487 1763-85	33
487 1686-47	53	487 1701-41	13	487 1708-05	7	487 1764-10	41
487 1686-49	49	487 1701-42	41	487 1708-06	7	487 1764-11	41
487 1686-49	51	487 1701-43	41	487 1708-50	7	487 1764-14	41
487 1686-73	51	487 1701-46	41	487 1708-62	7	487 1764-32	9
487 1686-77	53	487 1701-47	41	487 1708-63	7	487 1764-36	9
487 1694-15	9	487 1701-68	41	487 1708-64	7	487 1764-37	9
487 1694-28	27	487 1701-69	41	487 1708-67	7	487 1764-40	41
487 1694-30	29	487 1701-84	41	487 1709-05	7	487 1764-42	41
487 1694-30	31	487 1701-85	41	487 1709-06	7	487 1773-05*	31
487 1694-30	33	487 1701-86	9	487 1709-50	7	487 1773-05	33
487 1694-32	31	487 1701-88	31	487 1709-62	7	487 1773-95*	31
487 1694-32	33	487 1701-89	31	487 1709-63	7	487 1773-95*	33
487 1694-34	31	487 1701-99	41	487 1709-64	7	487 1775-20	9
487 1694-34	33	487 1702-09	15	487 1709-67	7	487 1781-01	39
487 1694-35	31	487 1702-09	17	487 1710-05	7	487 1781-03	39
487 1694-35	33	487 1702-09	23	487 1710-06	7	487 1781-04	39
487 1694-48	31	487 1702-09	25	487 1710-62	7	487 1781-05	39
487 1694-48	33	487 1702-12	23	487 1710-63	7	487 1781-06	39
487 1694-49	31	487 1702-19	17	487 1710-64	7	487 1781-07	39
487 1694-49	33	487 1702-26	15	487 1710-67	7	487 1781-08	39
487 1694-52	31	487 1702-26	17	487 1711-05	9	487 1781-09	39
487 1694-52	33	487 1702-26	23	487 1711-06	9	487 1781-51	45
487 1694-53	31	487 1702-26	25	487 1711-62	9	487 1781-52	45
487 1694-53	33	487 1702-27	15	487 1711-63	9	487 1781-53	45
487 1694-53	35	487 1702-27	17	487 1711-64	9	487 1781-56	9
487 1694-55	31	487 1702-27	23	487 1711-67	9	487 1781-56	45
487 1694-55	33	487 1702-27	25	487 1728-67	47	487 1781-57	53
487 1694-56	35	487 1702-28	15	487 1728-95	29	487 1781-58	9
487 1694-62	9	487 1702-28	17	487 1728-97	29	487 1781-58	45
487 1694-64	9	487 1702-28	23	487 1730-00	37	487 1781-59	45
487 1694-67	9	487 1702-28	25	487 1730-00	47	487 1781-60	9
487 1694-68	9	487 1702-33	17	487 1747-76	41	487 1781-71	7
487 1694-69	27	487 1702-40	15	487 1756-01	27	487 1781-72	7
487 1694-69	29	487 1702-40	17	487 1756-01	29	487 1781-73	7
487 1694-76	9	487 1702-40	25	487 1756-02	27	487 1781-73	45
487 1694-78	27	487 1702-41	17	487 1756-02	29	487 1781-91	45
487 1694-78	29	487 1702-42	15	487 1756-09	35	487 1781-92	9
487 1694-84	9	487 1702-42	23	487 1756-23	13	487 1781-92	47
487 1694-85	31	487 1702-49	15	487 1756-27	7	487 1812-13	37
487 1694-85	33	487 1702-54	17	487 1756-29	7	487 1812-13	47

Numerical index/Numerical index

Art.No/Art. nr	Page/Side	Art.No/Art. nr	Page/Side	Art.No/Art. nr	Page/Side	Art.No/Art. nr	Page/Side
487 1812-77	47	487 1975-00	7	762 1212-10	49		
487 1812-78	47	487 1975-02	7	762 1212-10	51		
487 1812-79	47	487 1975-03	7	762 1212-10	53		
487 1812-87	47	487 1975-04	7	762 7110-80	37		
487 1813-02	23	487 1975-05	7	762 7203-57	47		
487 1816-12	27	487 1975-06	7	763 1001-01	15		
487 1816-62	27	487 1975-07	7	763 1001-01	17		
487 1820-07	49	487 1975-21	29	763 1001-01	23		
487 1820-07	51	487 1975-22	29	763 1001-01	25		
487 1820-07	53	487 1975-36	11	763 1802-01	15		
487 1820-17	7	487 1975-51	47	763 1802-01	17		
487 1820-37	27	487 1976-71	31	763 1802-01	23		
487 1820-37	37	487 1976-71	33	763 1802-01	25		
487 1820-53	13	487 2126-03	35	763 1806-01	15		
487 1820-92	29	487 2193-01	27	763 1806-01	17		
487 1820-93	29	487 2193-01	29	767 5101-92	51		
487 1831-29	49	487 2193-02	27	767 5101-92	53		
487 1831-29	51	487 2193-02	29	767 5102-92	53		
487 1831-29	53	487 2200-31	11	767 5111-09	49		
487 1831-30	49	487 2200-35	11	767 5111-09	51		
487 1831-30	51	487 2307-43	55	767 5111-09	53		
487 1831-30	53	487 2317-76	13	767 5112-09	49		
487 1831-48	13	487 2336-43	17	767 5112-09	51		
487 1870-00	29	487 7057-01	35	767 5112-09	53		
487 1870-31	29	488 0020-05	53				
487 1870-32	29	488 0118-99	31				
487 1870-33	29	488 0118-99	33				
487 1870-35	29	488 0140-30	35				
487 1871-16	37	488 4329-01	49				
487 1873-06	15	488 4329-01	51				
487 1875-05	13	488 4329-01	53				
487 1875-06	13	488 5173-06	13				
487 1875-62	13	488 6549-27	17				
487 1875-63	13	488 6549-27	21				
487 1875-64	13	488 6571-02	15				
487 1875-67	13	488 7307-04	49				
487 1897-05	27	488 7307-04	51				
487 1897-86	43	488 7307-04	53				
487 1906-05	7	488 8090-27	17				
487 1906-06	7	488 8334-16	37				
487 1906-50	7	489 0112-46	53				
487 1907-05	9	489 0112-61	15				
487 1907-06	9	489 0112-61	17				
487 1907-50	9	489 0112-61	23				
487 1934-71	7	489 0112-61	25				
487 1935-56	11	489 6249-32	27				
487 1946-52	7	489 7085-17	43				
487 1946-53	7	724 1232-01	37				
487 1959-10	7	724 1333-01	13				
487 1970-12	55	728 5289-00	29				
487 1970-14	55	731 2316-01	31				
487 1970-15	55	731 2316-01	33				
487 1970-16	55	731 5312-01	11				
487 1970-17	55	732 2112-01	13				
487 1970-18	55	732 2118-01	27				
487 1970-19	55	732 2118-01	29				
487 1970-20	55	734 1164-31	27				
487 1970-84	55	734 1164-31	29				
487 1970-85	55	735 3122-00	31				
487 1973-43	31	735 3122-00	33				
487 1973-43*	33	738 2104-04	31				
487 1973-43	35	738 2104-04	33				
487 1974-10	41	762 1137-10	7				
487 1974-11	41	762 1137-10	43				
487 1974-12	41	762 1191-10	43				
487 1974-13	41	762 1212-10	47				



ELECTROLUX LAUNDRY SYSTEMS

ELECTROLUX LAUNDRY SYSTEMS DENMARK A/S
DK-5690 Tommerup, Denmark. Telephone +45 63 76 20 00. Telefax +45 63 76 22 00
Internet: www.electrolux-wascator.com E-mail: els.info@electrolux.dk