

W100, W100MP, W100CC

Washer extractor

Tvättmaskin

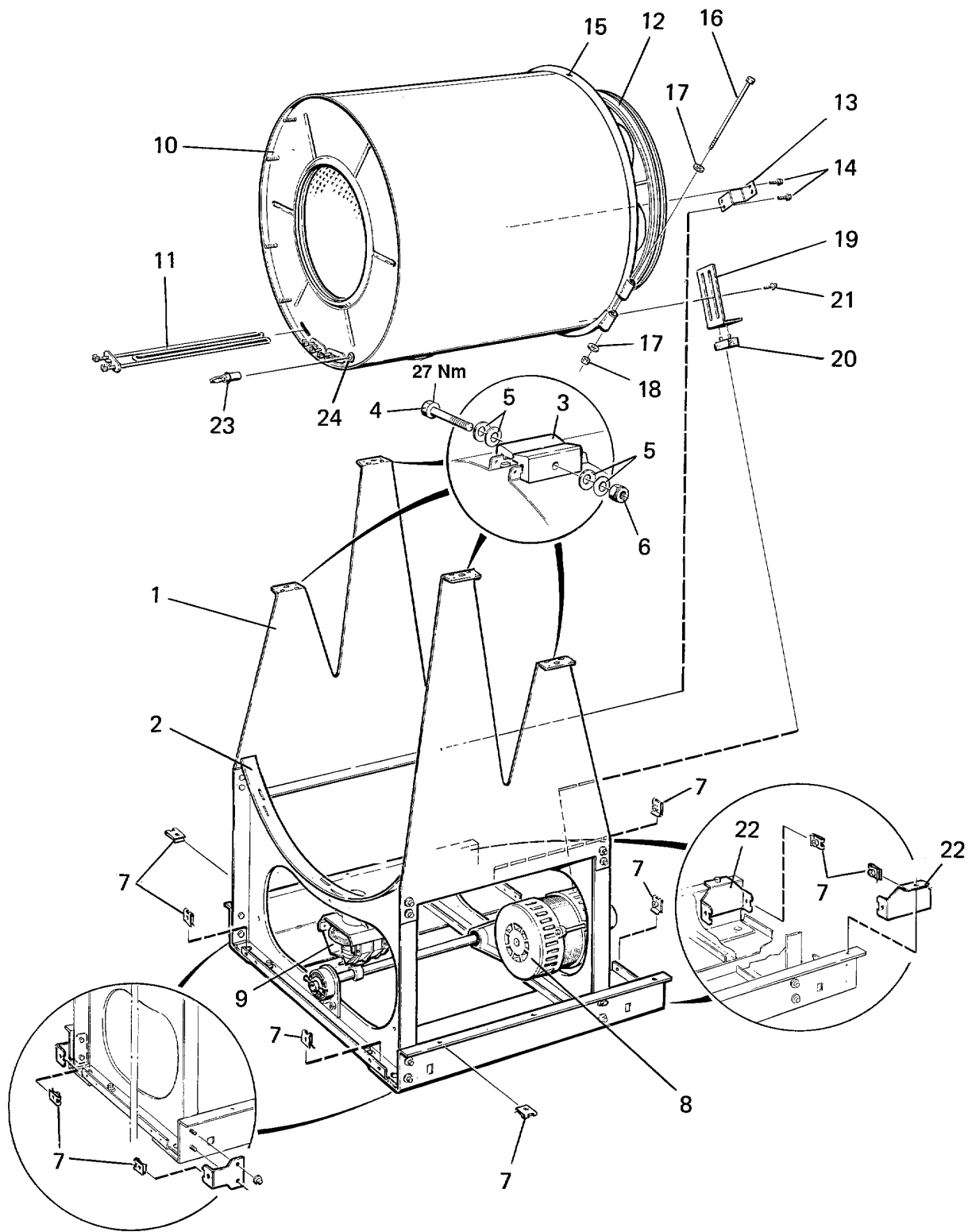
List of issues

708,708E,1003,1003E,W100,W100CC,W100MP

Illustration	Page	Table of contents
100685	11	Lining and top panel
100686	13	Door and door lock
100688	17	Motor and motor suspension
100689	19	Drain valve and hoses
100723	45	Cables P01,11,21,31,61
100728	53	Cables
100739	7	Base and outer drum
100741	15	Back plate with inner drum
100771	59	Drain valve
100797	67	Inlet valve 3/4", 3-way
100798	65	Inlet valve 3/4", 2-way
100799	63	Inlet valve 3/4", 1-way
100824	71	Electronic coin meter with slot locking device
100838	41	Type plates and panel plates
100847	69	Program unit
100930	43	Water alternatives
100934	29	Steam heating
100978	33	Control panel
101062	31	Control panel
101094	23	Electrical components and level control
101137	55	Cables
101140	47	Cables P01,11,21,31,61
101141	49	Cables P02,22
101143	61	Drain valve
101144	51	Cables P02,22
101150	77	Control unit
101151	75	Control unit P2
101152	73	Control unit P1
101363	57	Cables
101364	35	Control panel
101365	25	Electric components
101366	79	Detergent container
101968	27	Electric components

708,708E,1003,1003E,W100,W100CC,W100MP

Table of contents	Innehållsförteckning	Page/Sida
Base and outer drum	Stativ och yttertrumma	7
Lining and top panel	Klädselplåtar och topplock	11
Door and door lock	Lucka och lucklås	13
Back plate with inner drum	Bakgavel med innertrumma	15
Motor and motor suspension	Motor och motorupphängning	17
Drain valve and hoses	Avloppsventil och slangar	19
Electrical components and level control	Elkomponenter och nivågivare	23
Electric components	Elkomponenter	25
Electric components	Elkomponenter	27
Steam heating	Ånguppvärmning	29
*Control panel	Manöverpanel	31
Control panel	Manöverpanel	33
Control panel	Manöverpanel	35
Type plates and panel plates	Typskyltar och panelskyltar	41
Water alternatives	Vattenalternativ	43
Cables P01,11,21,31,61	Kablage P01,11,21,31,61	45
Cables P01,11,21,31,61	Kablage P01,11,21,31,61	47
Cables P02,22	Kablage P02,22	49
Cables P02,22	Kablage P02,22	51
Cables	Kablage	53
Cables	Kablage	55
Cables	Kablage	57
Drain valve	Avloppsventil	59
Drain valve	Avloppsventil	61
Inlet valve 3/4", 1-way	Tilloppsventil 3/4",1-vägs	63
Inlet valve 3/4", 2-way	Tilloppsventil 3/4",2-vägs	65
Inlet valve 3/4", 3-way	Tilloppsventil 3/4",3-vägs	67
Program unit	Programenhet	69
Electronic coin meter with slot locking device	Elektronisk myntmätare med myntspärr	71
Control unit P1	Styrenhet P1	73
Control unit P2	Styrenhet P2	75
Control unit	Styrenhet	77
Detergent container	Tvättmedelsbehållare	79



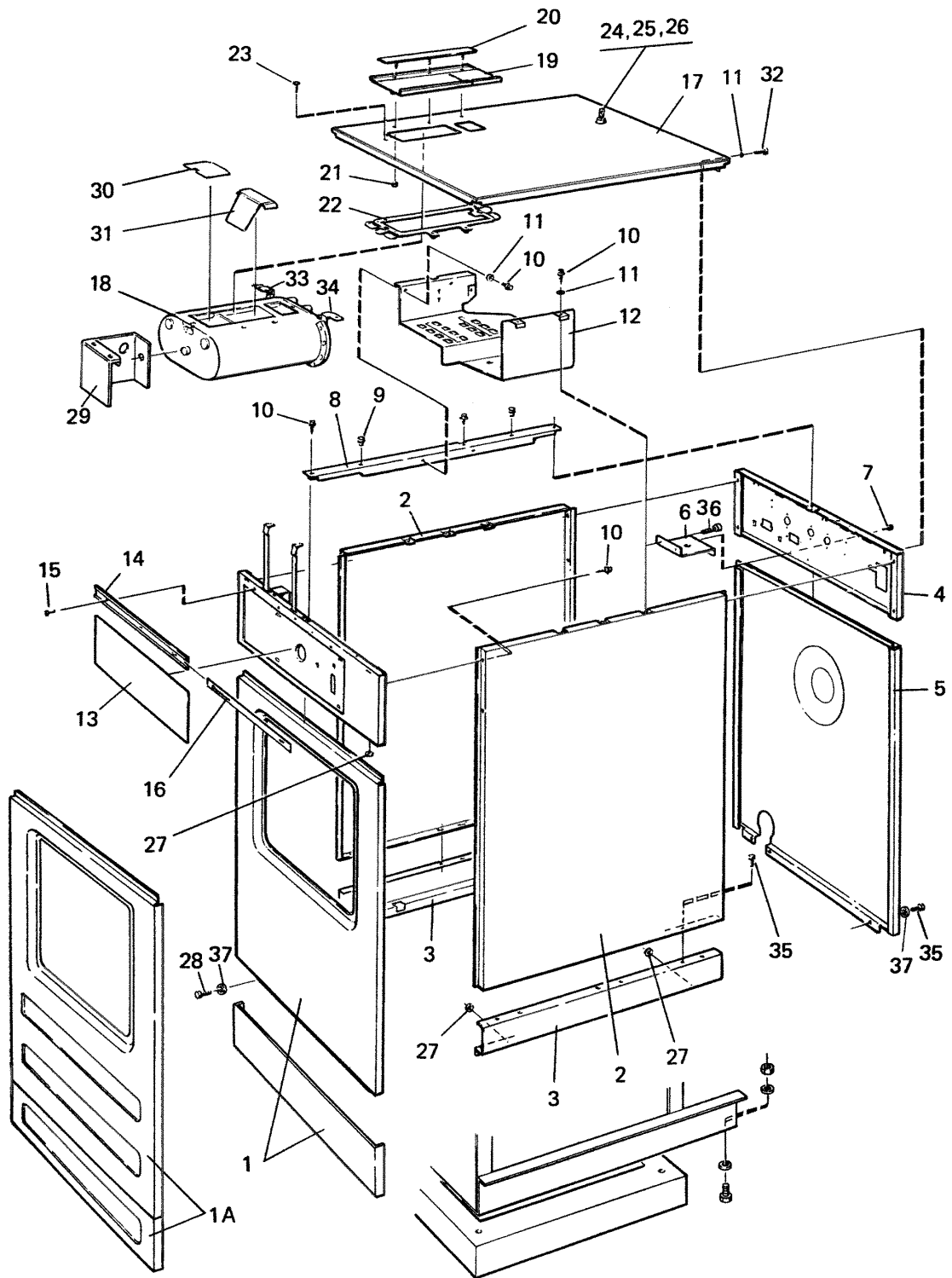
708,708E,1003,1003E,W100,W100CC,W100MP**Base and outer drum**

Illustration Issue Month Year

Illustration Utgåva Månad År

Stativ och yttertrumma**100739 12 3 2003**

Item Pos.	Qua. Ant.	Art.No Art.nr	Description	Benämning	Info Info	Notes Anmärkning
1	1	472 9900-65	Frame	Stativ	3	
2	2	438 0067-01	•Support band	•Stödband	3	
3	4	438 0027-01	•Tensioner	•Spänne	3	
4	2	725 2463-71	•Screw	•Skruv	3	M6S 8X60
5	8	471 7807-02	•Tension plate	•Spännbricka	3	18x8,4x2
6	2	732 2118-01	•Locking nut	•Låsmutter	3	M8
7	8	471 7864-01	Clip	Clips	3	M6
8			Motor	Motor		See group 8201
9			Drain valve	Avloppsventil		See group 8107, 8108
10	1	438 0058-01	Outer drum	Yttertrumma	3	El.
	1	438 0058-02	Outer drum	Yttertrumma	3	Steam
	1	438 0058-03	Outer drum	Yttertrumma	3	NOT HEATED
11	3	471 9812-02	Heating element	Element	1,2	3KW 230V
	3	471 9812-12	Heating element	Element	1,2	230V 2,5kW
	3	471 9812-13	Heating element	Element	1,2	254V 2,5kW
	3	471 9812-05	Heating element	Element	1,2	3KW 254V
	3	472 9812-16	Heating element	Element	1,2	1,8KW 254V
	3	471 9812-15	Heating element	Element	1,2	230V 1,8kW
	3	471 9812-17	Heating element	Element	1,2	220V 1kW
	3	471 9812-14	Heating element	Element	1,2	2,5kW 277V
12			Back plate	Bakgavel		See illustr. 100687
13	1	438 0099-01	Bracket	Fäste	3	
14	4	725 2366-61	Screw	Skruv	3	M6SF 6X12
15	2	471 2075-49	Tension strap	Spännband	3	
16	2	471 9222-59	Screw	Skruv	3	M8X140
17	4	471 8502-14	Washer	Bricka	3	BRB 8,4X17
18	2	732 2118-01	Locking nut	Låsmutter	3	M8
19	1	471 2438-14	Rail	Skena	3	
20	1	471 2437-15	Plug	Propp	3	
21	2	725 2366-61	Screw	Skruv	3	M6SF 6X12
22	2	438 0141-01	Bracket	Fäste	3	
23	1	472 9913-22	Sensor	Givare	1	Complete
24	1	471 8192-01	•Bushing	•Bussning	3	



100685

Issue	Month	Year
10	02	03

708,708E,1003,1003E,W100,W100CC,W100MP

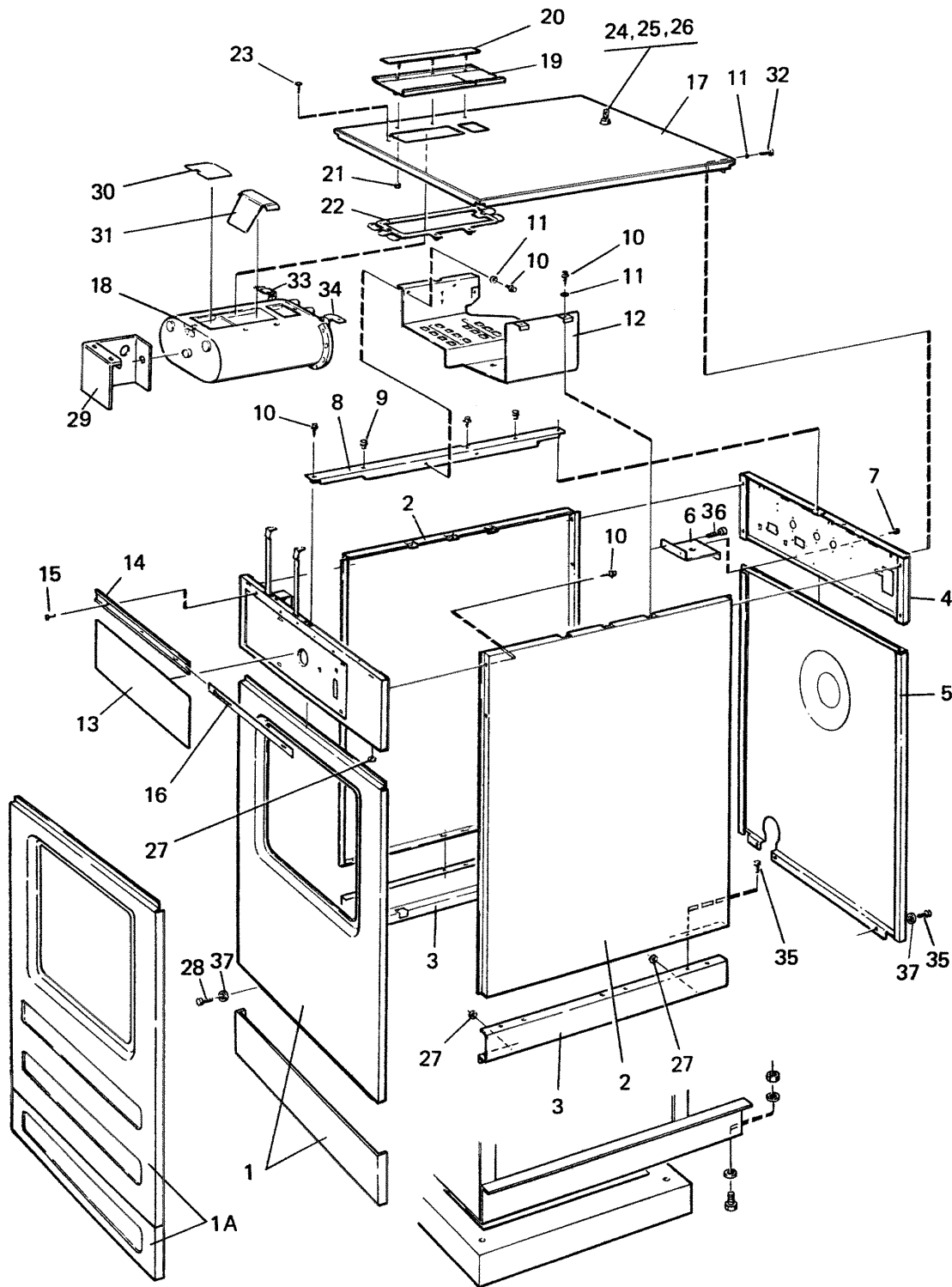
Lining and top panel

Illustration Issue Month Year
Illustration Utgåva Månad År

Klädselplåtar och topplock

100685/9 18 3 2003

Item Pos.	Qua. Ant.	Art.No Art.nr	Description	Benämning	Info Info	Notes Anmärkning
1	1	438 0004-07	Front panel	Frontplåt	1	Beige
	1	438 0004-30	Front panel	Frontplåt	1	Stainless Zanussi
	1	438 0004-03	Front panel	Frontplåt	1	Yellow
	1	438 0004-04	Front panel	Frontplåt	1	Stainless
	1	438 0004-02	Front panel	Frontplåt	1	Blue
	1	438 0004-01	Front panel	Frontplåt	1	White
	1	438 0004-05	Front panel	Frontplåt	1	Red
	1	438 0004-08	Front panel	Frontplåt	1	Grey
2	2	438 0001-01	Side panel	Sidoplåt	1	White -93/46072
	2	438 0350-01	Side panel	Sidoplåt	3	White 93/46073-
	2	438 0001-03	Side panel	Sidoplåt	1	Stainless -93/46072
	2	438 0350-03	Side panel	Sidoplåt	3	Stainless 93/46073-
	2	438 0001-04	Side panel	Sidoplåt	1	BEGIE
	2	438 0350-02	Side panel	Sidoplåt	3	Red -93/46072
3	2	438 0001-02	Side panel	Sidoplåt	3	Red 93/46073-
	2	438 0012-01	Side cover	Sidoskydd	1	White
	2	438 0012-03	Side cover	Sidoskydd	1	Stainless
	2	438 0012-04	Side cover	Sidoskydd	1	BEGIE
4	2	438 0012-02	Side cover	Sidoskydd	1	Red
	1	438 0002-01	Brace bracket	Stagplåt	3	White -93/46072
	1	438 0356-05	Brace bracket	Stagplåt	3	93/46073-
	1	438 0002-02	Brace bracket	Stagplåt	3	Red -93/46072
5	1	438 0356-08	Brace bracket	Stagplåt	3	Liquid LIQUID SUPPLY
	1	438 0003-01	Rear panel	Bakstycke	3	
	1	438 0003-02	Rear panel	Bakstycke	3	Steam
6	1	438 0075-01	Bracket	Konsol	3	
7	2	471 8340-23	Screw	Skruv	3	RTS 4,2X13
8	1	438 0010-02	Brace	Stag	3	
9	2	471 8641-01	Plug	Plugg	3	
10	16	725 2289-61	Screw	Skruv	3	M4X10
11	12	735 2136-01	Lock washer	Låsbricka	3	AZ 4,3 4,3
12	1		Mounting plate	Monteringsplåt	3	See illustr. 100694
13	1		Panel sign	Panelskylt		See illustr. 100838
14	1	471 7909-07	Rail	Skena	3	
15	3	722 7843-02	Pop rivet	Popnit	3	
16			Type plate	Typskylt		See illustr. 100838
17	1	438 0005-03	Top panel	Topplock	1	WITHOUT COIN-METER
	1	438 0005-04	Top panel	Topplock	1	WITH COIN-METER
	1	438 0498-03	Top panel	Topplock	1	WITHOUT LOCK
	1	438 0498-04	Top panel	Topplock	3	With lock
18	1		Detergent container	Tvättmedelsbehållare		See group 8803
19	1		Cover	Lock	1	See group 8803
20	1		Rail	Skena	3	See group 8803
21	3		Nut	Mutter	3	M4
22	1	438 0078-01	Gasket	Packning	1,2	-95/63857
23	2	724 3291-42	Screw	Skruv	3	MFX 4X12, -89/226
24	1	471 7826-10	Lock	Lås	1,2	
25	1	472 9900-99	Key	Nyckel	1,2	SET
26	1	471 7826-99	Nut	Mutter	1,2	
27	4	471 8196-01	Plug	Plugg	3	
28	9	725 2366-42	Screw	Skruv	3	M6X12
29	1	438 0134-01	Support	Stöd	3	-89/226
	1	438 0152-01	Support	Stöd	3	89/227-
30						Not used
31						Not used
32	2	471 8317-05	Screw	Skruv	3	
33	1		Bracket	Fäste	3	See group 8803
34	1		Bracket	Fäste	3	See group 8803
35	9	725 2368-51	Screw	Skruv	3	M6X16



100685

Issue	Month	Year
10	02	03

708,708E,1003,1003E,W100,W100CC,W100MP

Lining and top panel

Illustration Issue Month Year

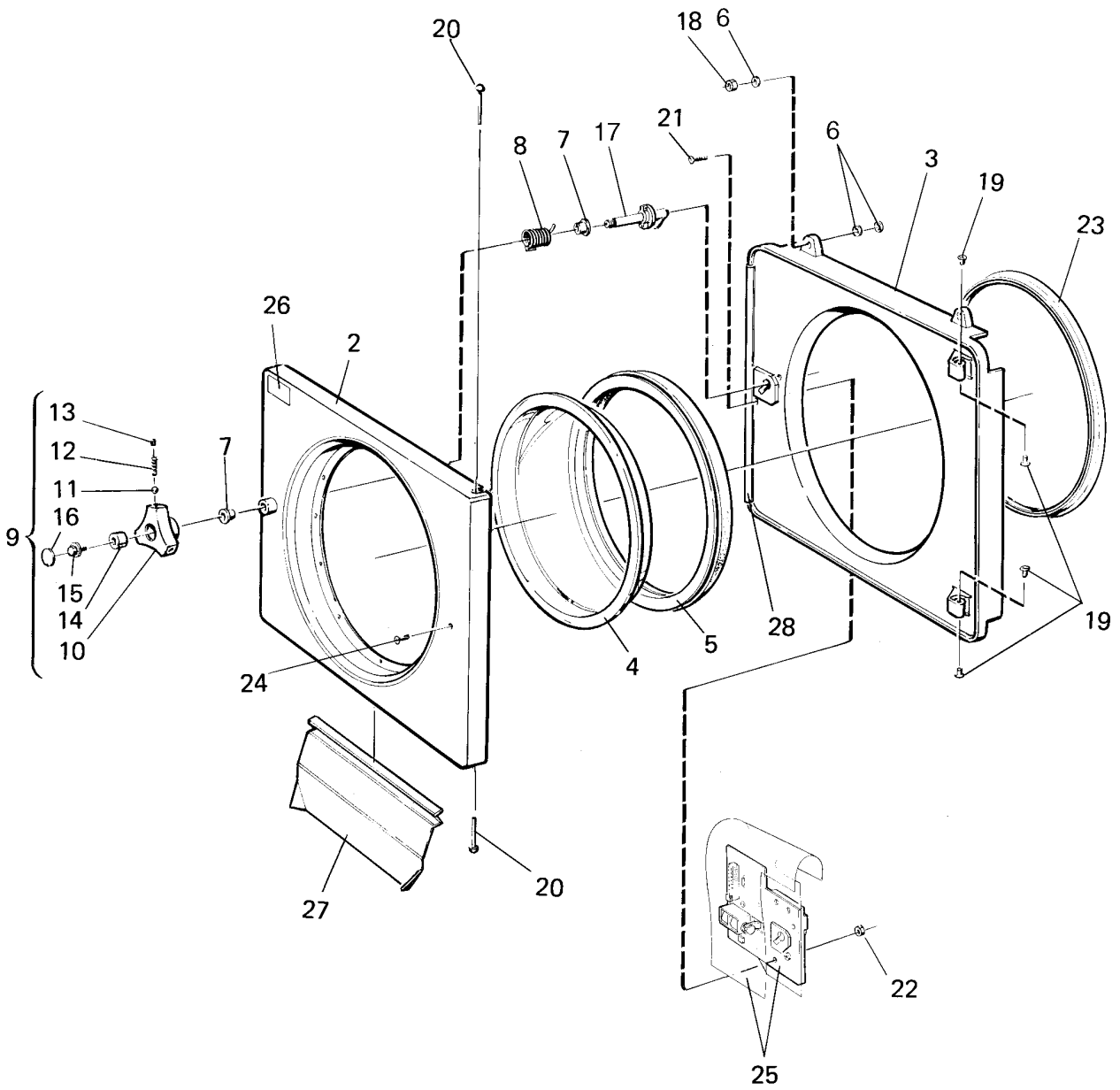
Illustration Utgåva Månad År

Klädselplåtar och topplock

100685/9 18 3 2003

Item Pos.	Qua. Ant.	Art.No Art.nr	Description	Benämning	Info Info	Notes Anmärkning
36	2	725 2366-61	Screw	Skruv	3	M6SF 6X12
37	2	735 2136-01	Lock washer	Låsbricka	3	AZ 4,3

1



708,708E,1003,1003E,W100,W100CC,W100MP

Door and door lock

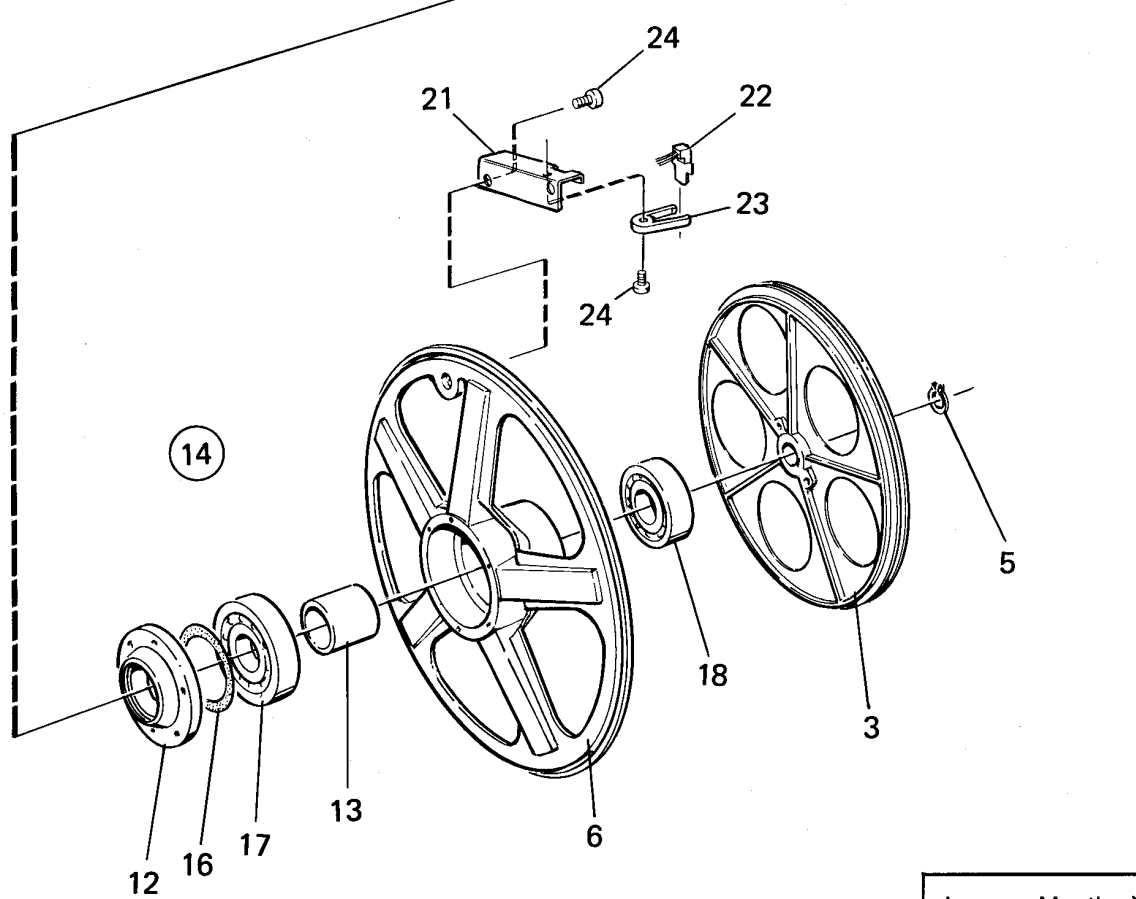
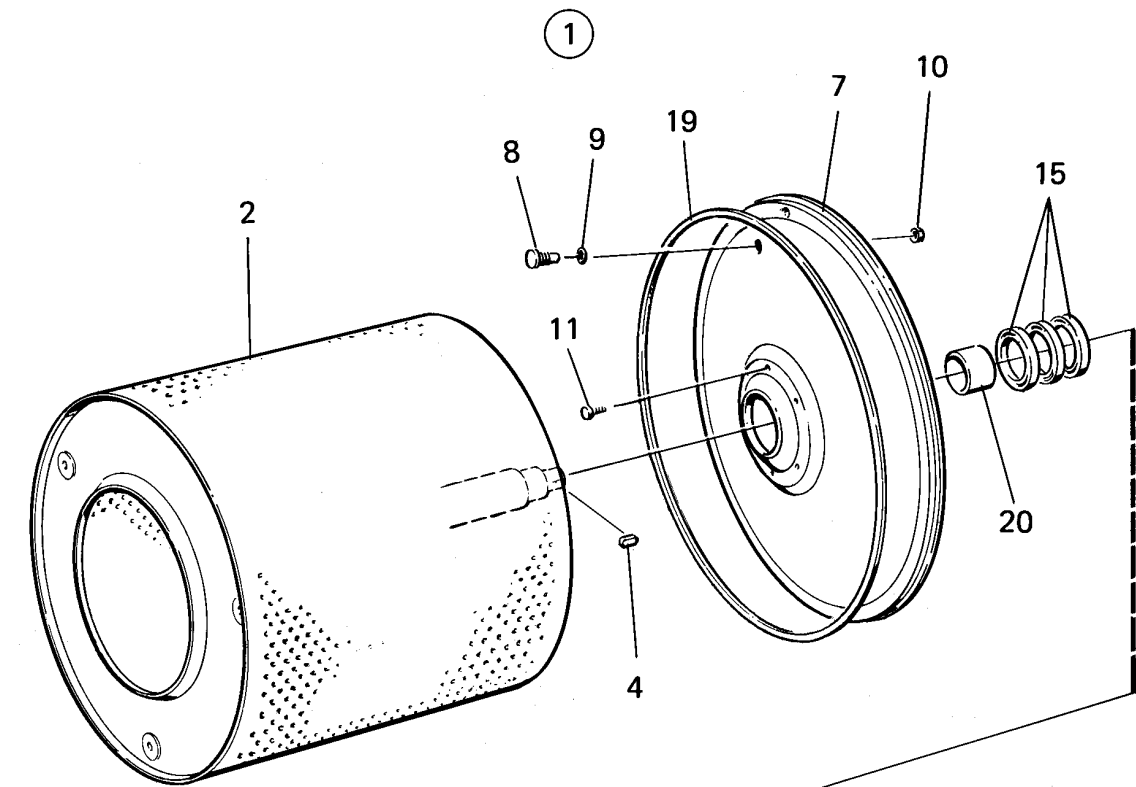
Illustration Issue Month Year

Illustration Utgåva Månad År

Lucka och lucklås

100686/8 19 3 2003

Item Pos.	Qua. Ant.	Art.No Art.nr	Description	Benämning	Info Info	Notes Anmärkning
1	1	438 0070-01	Door	Lucka	1	Complete
2	1	438 0008-02	•Door	•Lucka	3	
3	1	438 0007-02	•Support frame	•Fästplatta	1	
4	1	471 2408-08	•Door glass	•Luckglas	1,2	
5	1	438 0440-01	•Door gasket	•Luckpackning	1,2	Black
6	18	734 1153-01	•Washer	•Bricka	3	BRB 6,4X12
7	2	438 4063-01	•Bushing	•Bussning	1	
8	1	438 0144-01	•Torsion spring	•Vridfjäder	1	
9	1	472 9911-08	•Spare parts kit	•Reservdelssats	1,2	Knob compl. KNOB COMPL.
10	1		••Knob	••Vred		
11	3		••Ball	••Kula		
12	3		••Spring	••Fjäder		
13	3		••Screw	••Skruv		
14	1		••Bushing	••Bussning		
15	1		••Screw	••Skruv		M6SF 6X12
16	1		••Cover	••Lock		
17	1	438 0143-01	••Shaft	••Axel	1	
18	6	732 2116-01	•Locking nut	•Låsmutter	3	M6
19	4	438 4062-01	•Bushing	•Bussning	1	
20	2	472 8762-01	•Shaft	•Axel	1	
21	2	725 6328-42	•Screw	•Skruv	3	M5X16
22	2	732 2114-01	•Locking nut	•Låsmutter	3	M5
23	1	471 8198-01	•Gasket	•Tätninglist	3	-94/55247
24	1	471 7961-01	Rivet	Nit	3	M4X10
25	1	438 3056-22	Door locking device	Lucklås	1,2	230V P1, P2 93/46073-
	1	438 3056-21	Door locking device	Lucklås	1,2	120V P1, P2 93/46073-
	1	438 3056-32	Door locking device	Lucklås	1,2	240V P3 93/46073-
	1	438 3056-31	Door locking device	Lucklås	1,2	120V P3 93/46073-
	1	438 3056-12	Door locking device	Lucklås	1,2	240V PE 93/46073-
	1	438 3056-11	Door locking device	Lucklås	1,2	120V PE 93/46073-
	1	472 9902-48	Door locking device	Lucklås	1,2	120V P1, P2, PE -93/46072
	1	472 9902-49	Door locking device	Lucklås	1,2	220V P1, P2, PE -93/46072
	1	472 9902-50	Door locking device	Lucklås	1,2	120V P3 -93/46072
	1	472 9902-51	Door locking device	Lucklås	1,2	220V P3 -93/46072
	1	438 3056-04	Door locking device	Lucklås	1,2	240V W100CC, Mopp
26	1	471 7651-16	Warning sign	Varningsskylt	3	Swedish
	1	471 7651-17	Warning sign	Varningsskylt	3	English
	1	471 7651-18	Warning sign	Varningsskylt	3	German
	1	471 7651-19	Warning sign	Varningsskylt	3	French
	1	471 7651-20	Warning sign	Varningsskylt	3	Italian ITALIA
	1	471 7651-21	Warning sign	Varningsskylt	3	Spanish
	1	471 7651-22	Warning sign	Varningsskylt	3	Finnish
	1	471 7651-23	Warning sign	Varningsskylt	3	Danish
	1	471 7651-24	Warning sign	Varningsskylt	3	Norwegian
	1	471 7651-25	Warning sign	Varningsskylt	3	Russian
27	1	438 0128-02	Cover	Skydd	3	-93/46072
28	1	471 8197-01	Rubber strip	Gummilist	3	



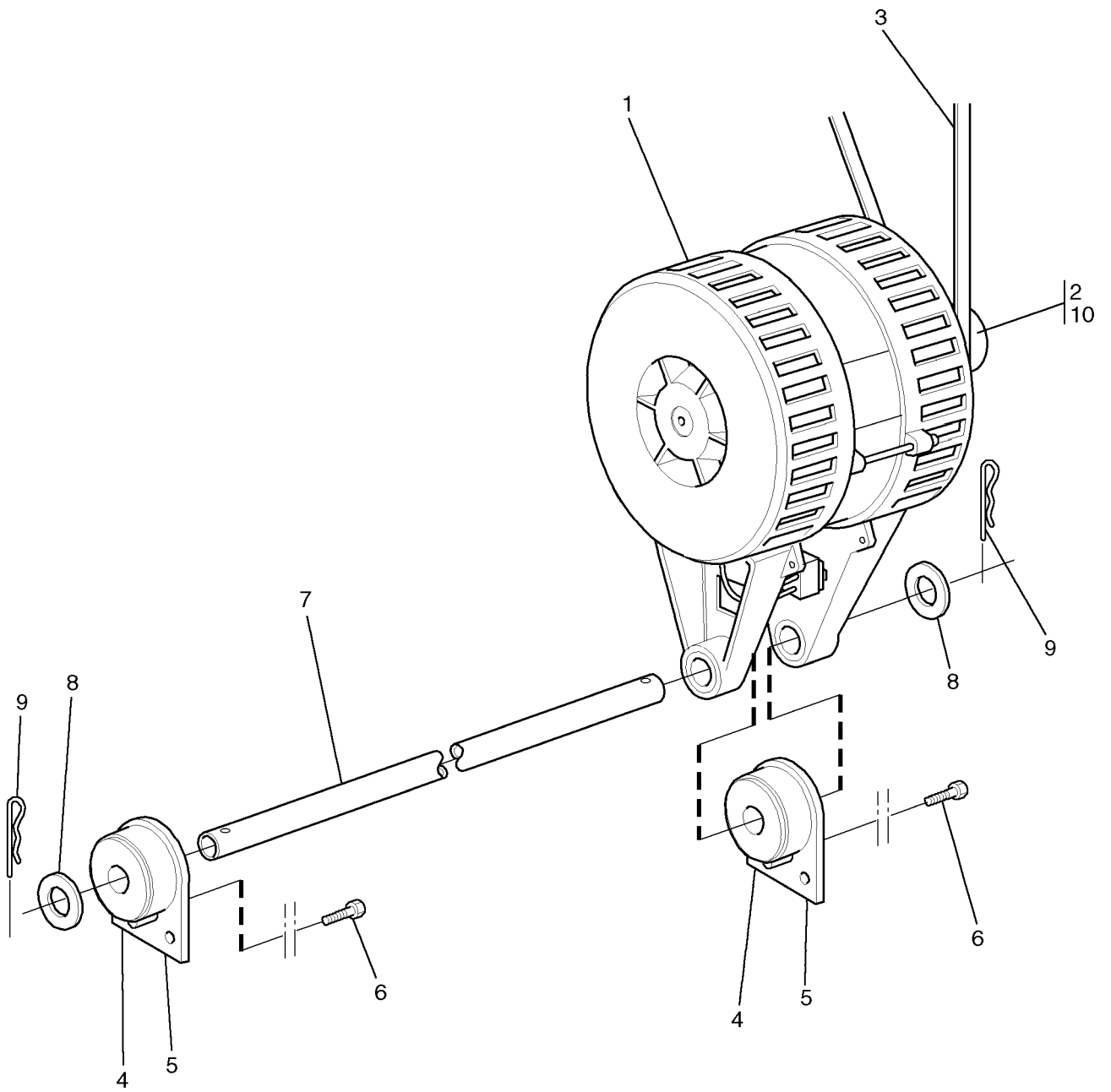
708,708E,1003,1003E,W100,W100CC,W100MP**Back plate with inner drum**

Illustration Issue Month Year

Illustration Utgåva Månad År

Bakgavel med innertrumma**100741 12 3 2003**

Item Pos.	Qua. Ant.	Art.No Art.nr	Description	Benämning	Info Info	Notes Anmärkning
1	1	472 9911-19	Back plate	Bakgavel	1	COMPL., EL, HOT WATER
	1	472 9911-20	Back plate	Bakgavel	1	COMPL., STEAM
	1	472 9911-21	Back plate	Bakgavel	1	W100CC, Mopp
2	1	438 0047-02	•Inner drum	•Innertrumma	1	
3	1	438 0030-02	•Pulley	•Remskiva	3	
4	1	735 9304-01	•Wedge	•Kil	3	SMS 2306
5	1	735 3128-00	•Circlip	•Segersäkring	3	SGA28
6	1	472 8827-01	•Back plate	•Bakgavel	3	EL, HOT WATER
	1	472 8827-02	•Back plate	•Bakgavel	3	Steam
7	1	472 8828-01	•Plate	•Plåt	3	EL, HOT WATER -96/78708
	1	472 8828-03	•Plate	•Plåt	3	EL/HOT WATER 96/78709-
	1	472 8828-02	•Plate	•Plåt	3	Steam -96/78708
	1	472 8828-04	•Plate	•Plåt	3	Steam 96/78709-
8	1	472 8908-01	•Nipple	•Nippel	3	-96/78708
	1	438 5541-01	•Nipple	•Nippel	3	96/78709-0100/1710
9	1	471 8159-04	•Gasket	•Packning	3	-96/78708
	1	471 8159-05	•Gasket	•Packning	3	96/78709-0100/1710
10	1	741 1111-20	•Nut	•Mutter	3	-96/78708
	1	741 1115-20	•Nut	•Mutter	3	96/78709-0100/1710
11	6	471 8320-05	•Screw	•Skruv	3	M6X20
12	1	472 8906-01	•Bearing cover	•Lagerlock	3	
13	1	472 8907-01	•Spacer	•Distans	3	
14	1	472 9902-16	•Repair kit	•Renoveringssats	1,2	
15	3		••Sealing ring	••Tätningssats		
16	1		••O-ring	••O-ring		
17	1		••Bearing	••Lager		
18	1		••Bearing	••Lager		
19	1	472 6084-01	••Seal	••Tätning	1	
20	1		••Bushing	••Bussning		
21	1	438 4080-02	Bracket	Konsol	3	W100CC
22	1	471 8985-01	Sensor	Givare	1,2	W100CC
23	1	438 0363-01	Bracket	Hållare	3	W100CC
24	3	725 2366-61	Screw	Skruv	3	M6SF 6X12 W100CC



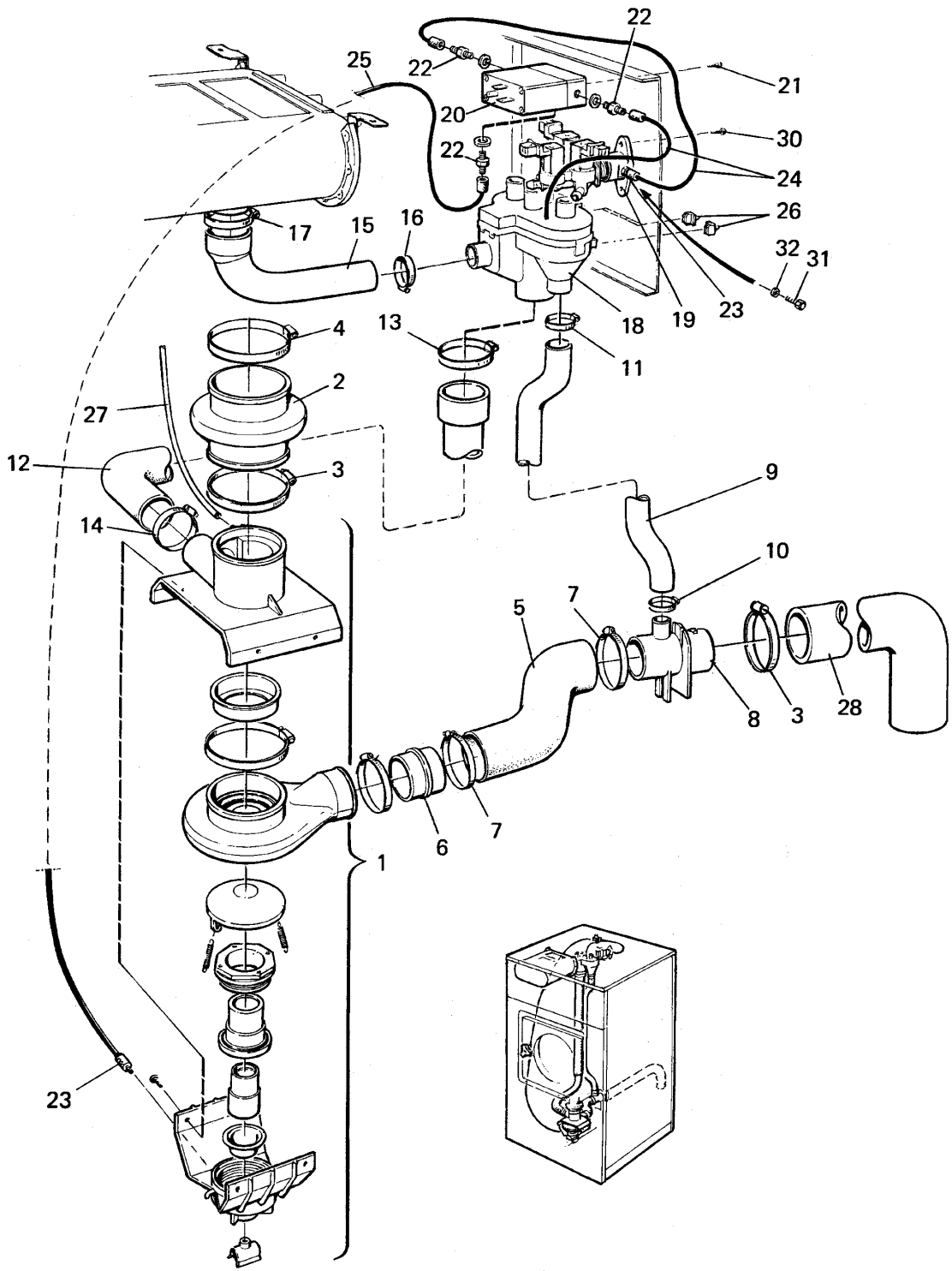
708,708E,1003,1003E,W100,W100CC,W100MP**Motor and motor suspension**

Illustration Issue Month Year

Illustration Utgåva Månad År

Motor och motorupphängning**100688/1 11 5 2005**

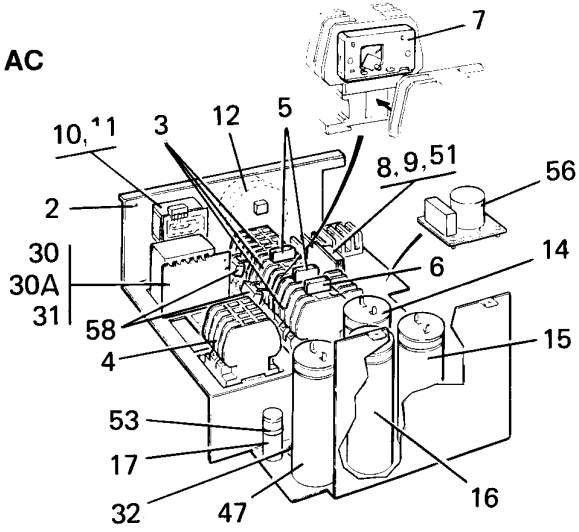
Item Pos.	Qua. Ant.	Art.No Art.nr	Description	Benämning	Info Info	Notes Anmärkning	
1	1	471 9738-81	Motor	Motor	1,2	380-415V 50Hz/440-480V 60Hz	
	1	471 9738-82	Motor	Motor	1,2	190-200V 50Hz/200-240V 60Hz	
	1	471 9738-84	Motor	Motor	1,2	220V 50Hz/240V 50Hz	
	1	472 9911-25	Motor	Motor	1,2	230V/380-415V 50Hz 3AC	
	1	472 9911-26	Motor	Motor	1,2	346V 50Hz/380V 60Hz	
	1	471 9738-88	Motor	Motor	1,2	120V 60Hz	
	1	471 9738-87	Motor	Motor	1,2	208-240V 60Hz	
	1	471 9738-86	Motor	Motor	1,2	100V 1AC 50Hz, 100V 1AC 60Hz	
	2	1	471 2452-42	Pulley	Remskiva	1,2	50Hz
		1	438 0077-01	Pulley	Remskiva	1,2	60Hz
3	1	471 9006-62	V-belt	Kilrem	1,2		
4	2	438 0489-01	Damper	Dämpare	3		
5	2	438 0014-01	Bracket	Hållare	3		
6	2	725 2370-61	Screw	Skruv	3	M6SF 6X20	
7	1	438 0016-02	Pipe	Rör	3		
8	2	471 8502-24	Washer	Bricka	3	12x35	
9	2	471 7867-01	Pin	Sprint	3		
10	1	728 8362-01	Screw	Skruv	3	SK6SS 6X8	



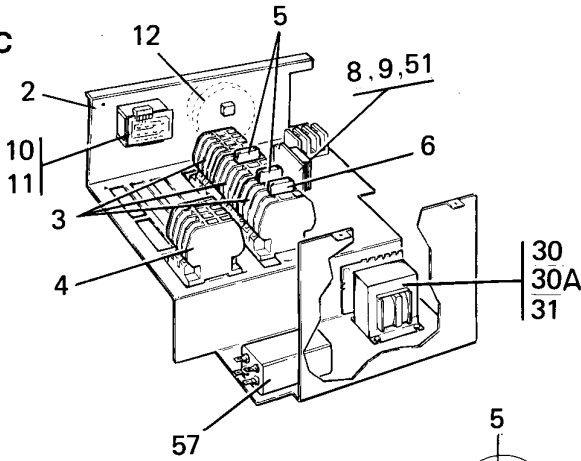
708,708E,1003,1003E,W100,W100CC,W100MP**Drain valve and hoses**Illustration Issue Month Year
Illustration Utgåva Månad År**Avloppsventil och slangar****100689/9 18 3 2003**

Item Pos.	Qua. Ant.	Art.No Art.nr	Description	Benämning	Info Info	Notes Anmärkning
1	1	438 0093-01	Drain valve	Avloppsventil	1,2	Complete Complete See group 8107
	1	472 8754-10	Drain valve	Avloppsventil	1,2	230V See group 8108
	1	472 8754-11	Drain valve	Avloppsventil	1,2	100V 50Hz,120V 60Hz See group 8108
2	1	471 2904-01	Connection	Stos	1,2	
3	1	736 2849-51	Hose clamp	Slangklämma	3	Ø77-93
4	1	736 2852-51	Hose clamp	Slangklämma	3	Ø93-110
5	1	438 0026-01	Hose	Slang	1,2	
6	1	438 0083-01	Joint sleeve	Skarvhylsa	3	
7	3	736 2846-51	Hose clamp	Slangklämma	3	Ø73-83
8	1	438 0084-03	Drain pipe connection	Avloppsstos	3	
9	1	438 0029-01	Hose	Slang	1,2	
10	1	736 2831-51	Hose clamp	Slangklämma	3	Ø36-42
11	1	736 2831-51	Hose clamp	Slangklämma	3	Ø36-42
12	1	438 0081-12	Hose	Slang	1,2	
13	1	736 2843-51	Hose clamp	Slangklämma	3	Ø63-73
14	1	736 2837-51	Hose clamp	Slangklämma	3	Ø48-54
15	1	438 0080-02	Hose	Slang	1,2	
16	1	736 2837-51	Hose clamp	Slangklämma	3	Ø48-54
17	1	736 2840-51	Hose clamp	Slangklämma	3	Ø50-63
18	1	472 8714-03	Siphon breaker	Återsugningsskydd	3	
19	1	438 0056-03	Nipple	Nippel	3	Black, 3/4"
20	1	471 8243-04	Solenoid valve	Magnetventil	1,2	230V 50Hz 89/1332-
	1	471 8243-05	Solenoid valve	Magnetventil	1,2	208-240V 60Hz 89/1332-
	1	471 8243-06	Solenoid valve	Magnetventil	1,2	120V 60Hz
21	2	471 8341-13	Screw	Skruv	3	MRT 4X10
22	3	471 8688-01	Nipple	Nippel	3	M5 -89/1331
	3	471 8688-12	Nipple	Nippel	3	1/4" 89/1332-
	3	471 8688-13	Nipple	Nippel	3	1/8"
23	2	471 8688-02	Nipple	Nippel	3	1/8" -89/1331
	2	471 8688-13	Nipple	Nippel	3	1/8" 89/1332-
24	2	471 8136-01	Hose	Slang	1,2	L=250 -89/1331
	2	471 8139-01	Hose	Slang	1,2	L=330 L=330, 89/1332-
25	1	471 8136-02	Hose	Slang	1,2	L=1250 -89/1331
	1	471 8139-02	Hose	Slang	1,2	L=1250 L=1250 89/1332-
26	2	438 0125-01	Catch	Spärr	3	
27	1	471 2449-99	Hose	Slang	1,2	L=1050 L=1050
28	1	471 6874-61	Joint piece	Skarvstycke	3	
29	1	471 4035-01	Hose	Slang	1	
30	2	471 8346-05	Screw	Skruv	3	
31	1	741 5109-25	Plug	Propp	3	
32	1	740 4206-00	O-ring	O-ring	3	

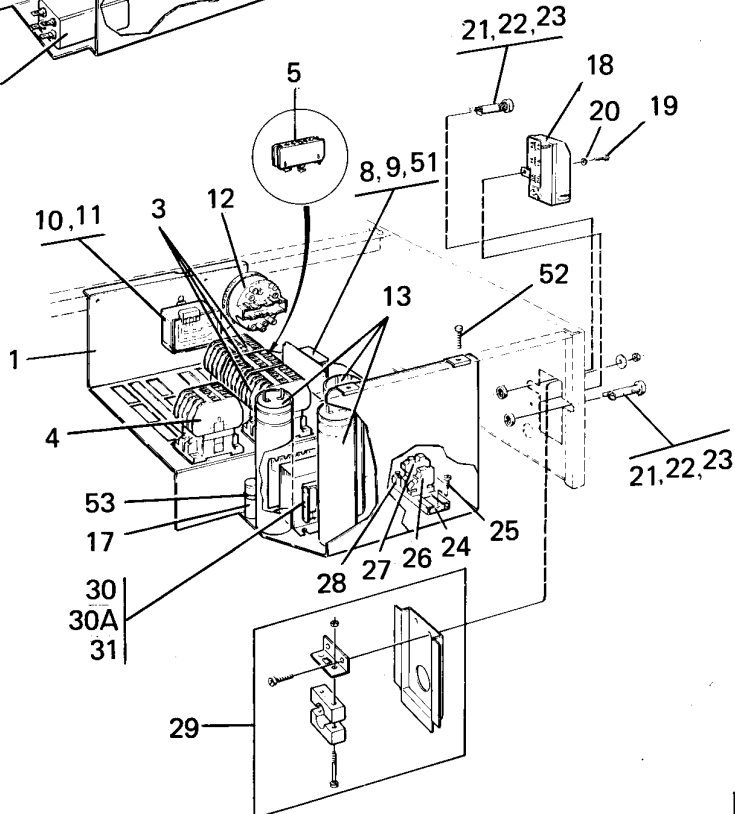
1AC



3AC



-93/46072



708,708E,1003,1003E,W100,W100MP

Electrical components and level control

Illustration Issue Month Year

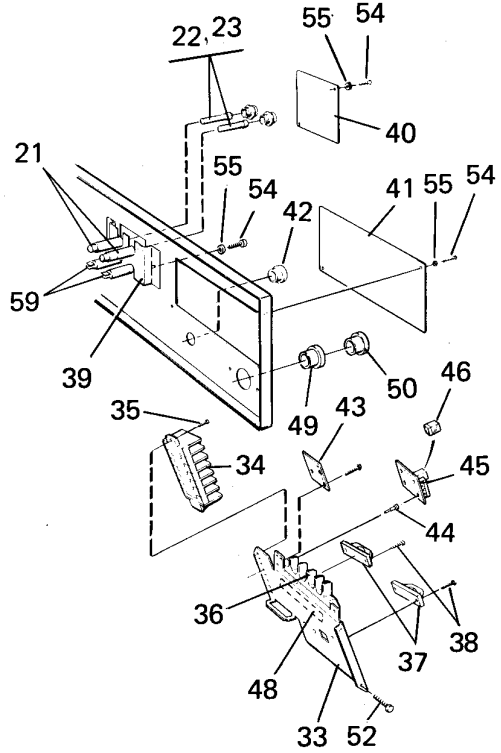
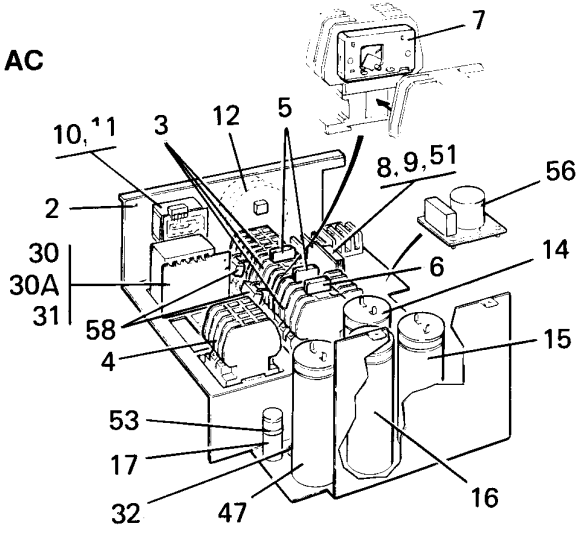
Illustration Utgåva Månad År

Elkomponenter och nivågivare

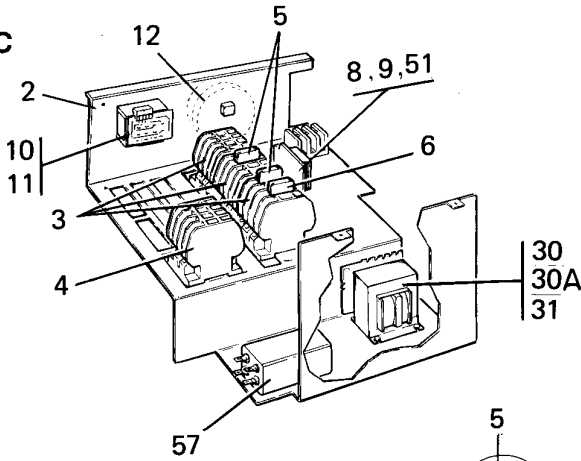
101094/5 19 3 2003

Item Pos.	Qua. Ant.	Art.No Art.nr	Description	Benämning	Info Info	Notes Anmärkning
1	1	438 0044-01	Mounting plate	Monteringsplåt	3	-93/46072
2	1	438 0353-01	Mounting plate	Monteringsplåt	3	93/46073-
3	RQ	438 9636-02	Contactora	Kontaktor	1,2	50Hz Motor
	RQ	438 9636-03	Contactora	Kontaktor	1,2	60Hz Motor
	RQ	438 9636-01	Contactora	Kontaktor	1,2	110V 60Hz Motor
4	1	438 9636-02	Contactora	Kontaktor	1,2	50Hz HEATING
	1	438 9636-72	Contactora	Kontaktor	1,2	50Hz, K3-22 Heating
	1	438 9636-03	Contactora	Kontaktor	1,2	60Hz HEATING
	1	438 9636-73	Contactora	Kontaktor	1,2	60Hz Heating
	1	471 9635-12	Contactora 60Hz	Kontaktor,60Hz	1,2	110V 60Hz HEATING
5	RQ	767 5102-92	Auxiliary contact	Hjälpkontakt	1,2	HN01 Red HN01
6	RQ	767 5802-99	Auxiliary contact	Hjälpkontakt	1,2	Green HA01
7	1	767 5101-91	Interlock	Förregling	1	
8	1	471 9558-03	Transformer	Transformator	1	MP -100/3460
	1	471 9558-04	Transformer	Transformator	1	MP 100/3461-
	1	471 9559-03	Transformer	Transformator	1	1" MP,JAPAN
9	2	471 8342-13	Screw	Skruv	3	MRT-TT 4X10
10	1	471 8803-28	Thermostat	Termostat	1,2	30,40,60,80 DEGR. 30,40,60,90 DEGREE C
	1	471 8803-24	Thermostat	Termostat	1,2	30,40,60,80 DEGREE C
11	2	471 8341-11	Screw	Skruv	3	MRT 4X6
12	1	471 8859-01	Level control	Nivåkontroll	1,2	
	1	471 8859-52	Level control	Nivåkontroll	1,2	P02 JAPAN
13	RQ	471 9525-27	Capacitor	Kondensator	1	30MF
	RQ	471 9525-24	Capacitor	Kondensator	1	40MF
	RQ	471 9525-22	Capacitor	Kondensator	1	100 MF
	RQ	471 9525-28	Capacitor	Kondensator	1	160 MF
14	RQ	471 9525-24	Capacitor	Kondensator	1	40MF C3
	RQ	471 9525-21	Capacitor	Kondensator	1	50MF C3
	RQ	471 9525-22	Capacitor	Kondensator	1	100 MF C3
	RQ	471 9525-23	Capacitor	Kondensator	1	200MF C3
15	RQ	471 9525-27	Capacitor	Kondensator	1	30MF C4
	RQ	471 9525-24	Capacitor	Kondensator	1	40MF C1
	RQ	471 9525-21	Capacitor	Kondensator	1	50MF C4
	RQ	471 9525-25	Capacitor	Kondensator	1	130MF C1
16	RQ	471 9525-27	Capacitor	Kondensator	1	30MF C1
	RQ	471 9525-24	Capacitor	Kondensator	1	40MF C1
	RQ	471 9525-25	Capacitor	Kondensator	1	130MF C1
17	1	471 9566-05	Sinpac	Sinpac	1,2	208-240V
	1	471 9566-01	Relay	Relä	1,2	120V
18	1	471 8742-01	Terminal connection	Inkopplingsplint	3	-91/22934
19	2	471 8340-12	Screw	Skruv	3	RTS 3,5X9,5 -91/22934
20	1	735 2136-01	Lock washer	Låsbricka	3	AZ 4,3 -91/22934
21	RQ	471 8756-01	Fuse holder	Säkringshållare	1,2	5X20 MM
22	RQ	471 8756-51	Insert	Insats	1,2	5X20MM
	RQ	471 8756-52	Insert	Insats	1,2	6,3X32MM,60Hz -96/78163
23	RQ	471 8750-11	Fuse	Säkring	1,2	1,25A
	RQ	471 9027-85	Fuse	Säkring	1,2	60Hz -96/78163
24	1	472 6847-09	Rail	Skena	3	91/22935-
25	2	729 5279-01	Screw	Skruv	3	RXS B6X9,5 91/22935-
26	1	762 7146-90	End support	Ändstöd	3	91/22935-
27	1	471 8702-03	Block	Plint	3	91/22935-
28	1	762 7110-80	Ground connection	Jordningsplint	3	91/22935-
29	1	438 0235-10	Cable clamp	Kabelavlastare	3	91/22935-
30	1	471 9565-03	Transformer	Transformator	1,2	PRIM.200,346,380,400,480V
30A	1	762 8151-91	•Fuse	•Säkring	1,2	5X20MM, 0,315A
31	2	471 8342-13	Screw	Skruv	3	MRT-TT 4X10
32	1	762 1191-10	Grommet	Genomföring	3	
33	1	438 0354-01	Mounting plate	Monteringsplåt	3	

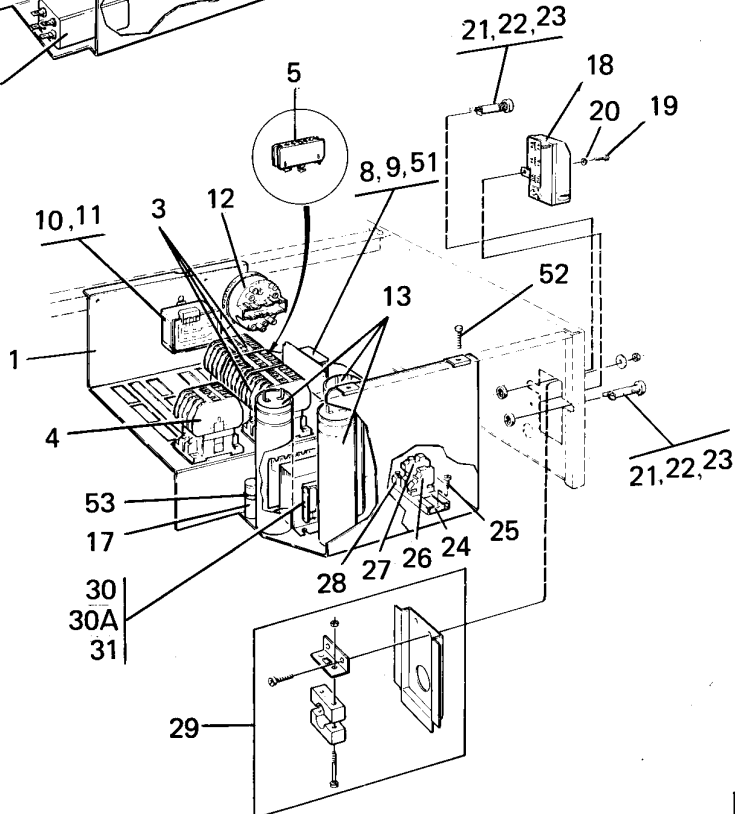
1AC



3AC



-93/46072



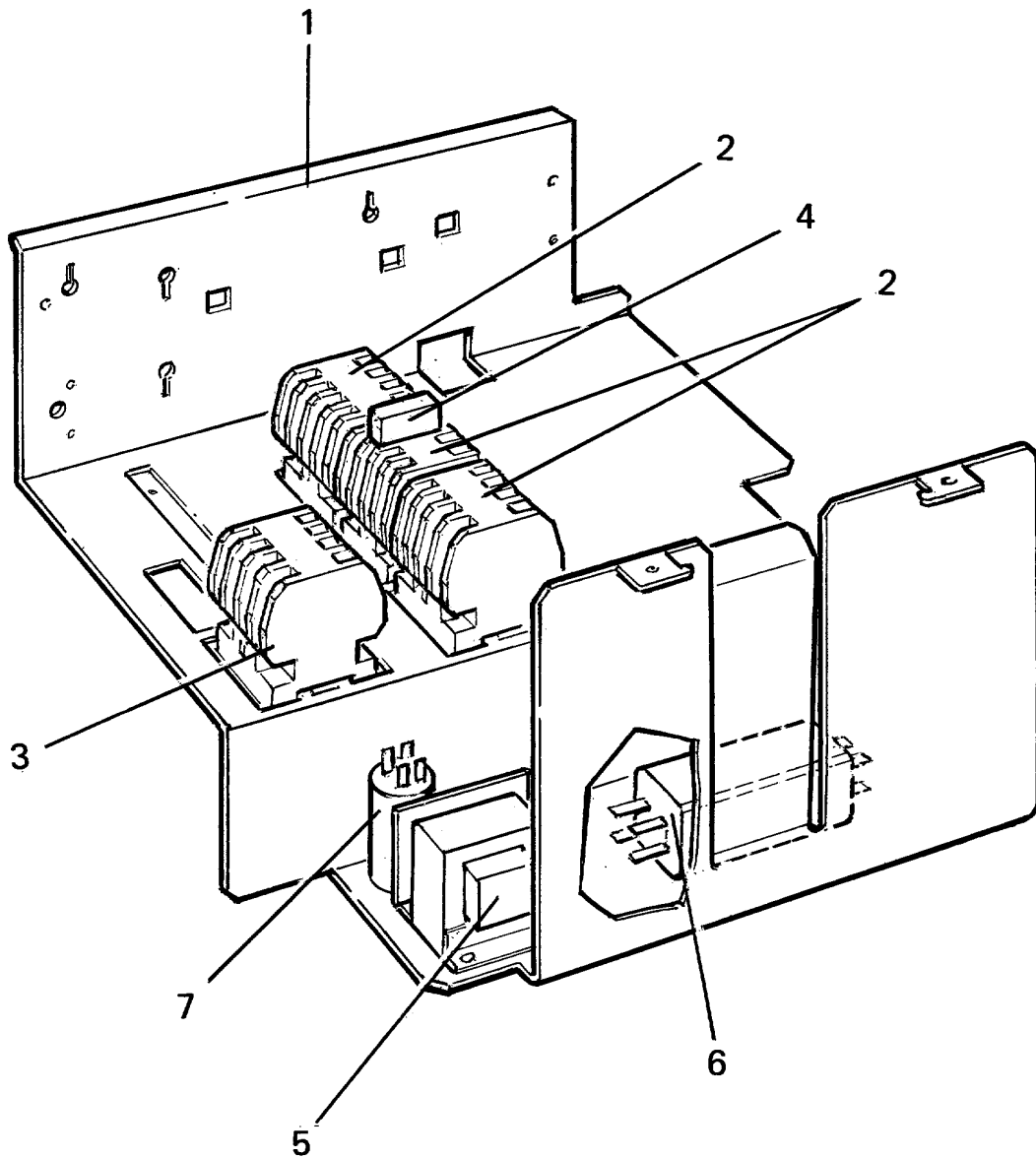
708,708E,1003,1003E,W100,W100MP**Electrical components and level control**

Illustration Issue Month Year

Illustration Utgåva Månad År

Elkomponenter och nivågivare**101094/5 19 3 2003**

Item Pos.	Qua. Ant.	Art.No Art.nr	Description	Benämning	Info Info	Notes Anmärkning
	1	438 0354-02	Mounting plate	Monteringsplåt	3	El. heated
34	7	471 8760-01	Block	Plint	3	
35	1	471 8760-02	End support	Ändstöd	3	
36	1	471 8759-01	Block	Plint	3	
37	1	471 7865-03	Cable clip	Kabelhållare	3	
38	RQ	471 8346-06	Screw	Skruv	3	3,5X25
39	1	438 0355-01	Mounting plate	Monteringsplåt	3	
40	1	438 0358-02	Cover	Lock	3	
41	1	438 0359-01	Cover	Lock	3	
42	5	471 7967-02	Grommet	Genomföring	3	
43	1	438 0439-01	Bracket	Konsol	3	
44	3	471 7958-01	Support	Stöd	3	
45	1	438 3058-01	Printed circuit board	Kretskort	1,2	W100MP,1003E
	1	438 3058-21	Printed circuit board	Kretskort	1,2	W100,1003
46	1	471 9649-01	Relay	Relä	1,2	
47	RQ	471 9525-27	Capacitor	Kondensator	1	30MF C1
	RQ	471 9525-28	Capacitor	Kondensator	1	160 MF C1
48	1	471 7671-01	Sign	Skylt	3	
49	1	471 8708-01	Plug	Plugg	3	Ø37MM -94/
	1	762 1215-10	Grommet	Genomföring	3	Ø48/35mm 94/ -
50	1	471 7967-02	Grommet	Genomföring	3	
51	1	472 9913-43	Clamp	Bygel	3	Kit 25 pcs
52	7	471 8342-13	Screw	Skruv	3	MRT-TT 4X10
53	1	762 9112-07	Strap	Band	3	
54	6	471 8340-23	Screw	Skruv	3	RTS 4,2X13
55	6	735 2136-01	Lock washer	Låsbricka	3	AZ 4,3
56	1	471 9501-02	LC-filter	LC-filter	1	1AC
57	1	471 9529-04	LC-filter	LC-filter	1	3AC
58	RQ	471 9528-03	RC-resistor	RC-motstånd	1,2	



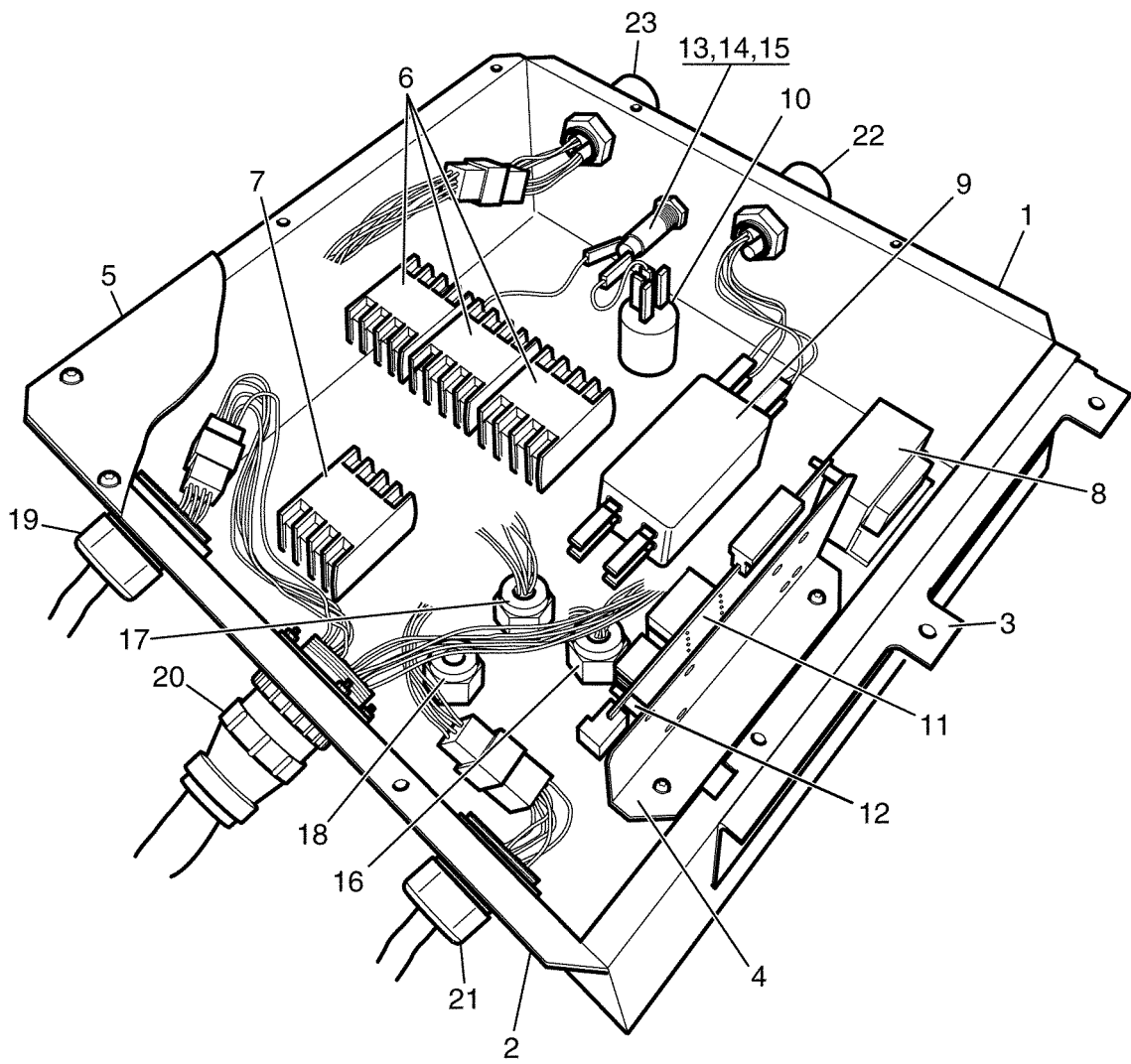
W100CC -0100/4710**Electric components**

Illustration Issue Month Year

Illustration Utgåva Månad År

Elkomponenter**101365/1 4 4 2001**

Item Pos.	Qua. Ant.	Art.No Art.nr	Description	Benämning	Info Info	Notes Anmärkning
1	1	438 0353-01	Mounting plate	Monteringsplåt	3	
2	3	438 9636-02	Contactora	Kontaktor	1,2	50Hz Motor
3	1	438 9636-02	Contactora	Kontaktor	1,2	50Hz Heating
4	1	767 5102-92	Auxiliary contact	Hjälpkontakt	1,2	HN01 Red HN-01
5	1	471 9558-11	Transformer	Transformator	1,2	
6	1	471 9529-04	LC-filter	LC-filter	1	
7	1	471 9529-10	Mains filter	Nätfilter	1	208-240V



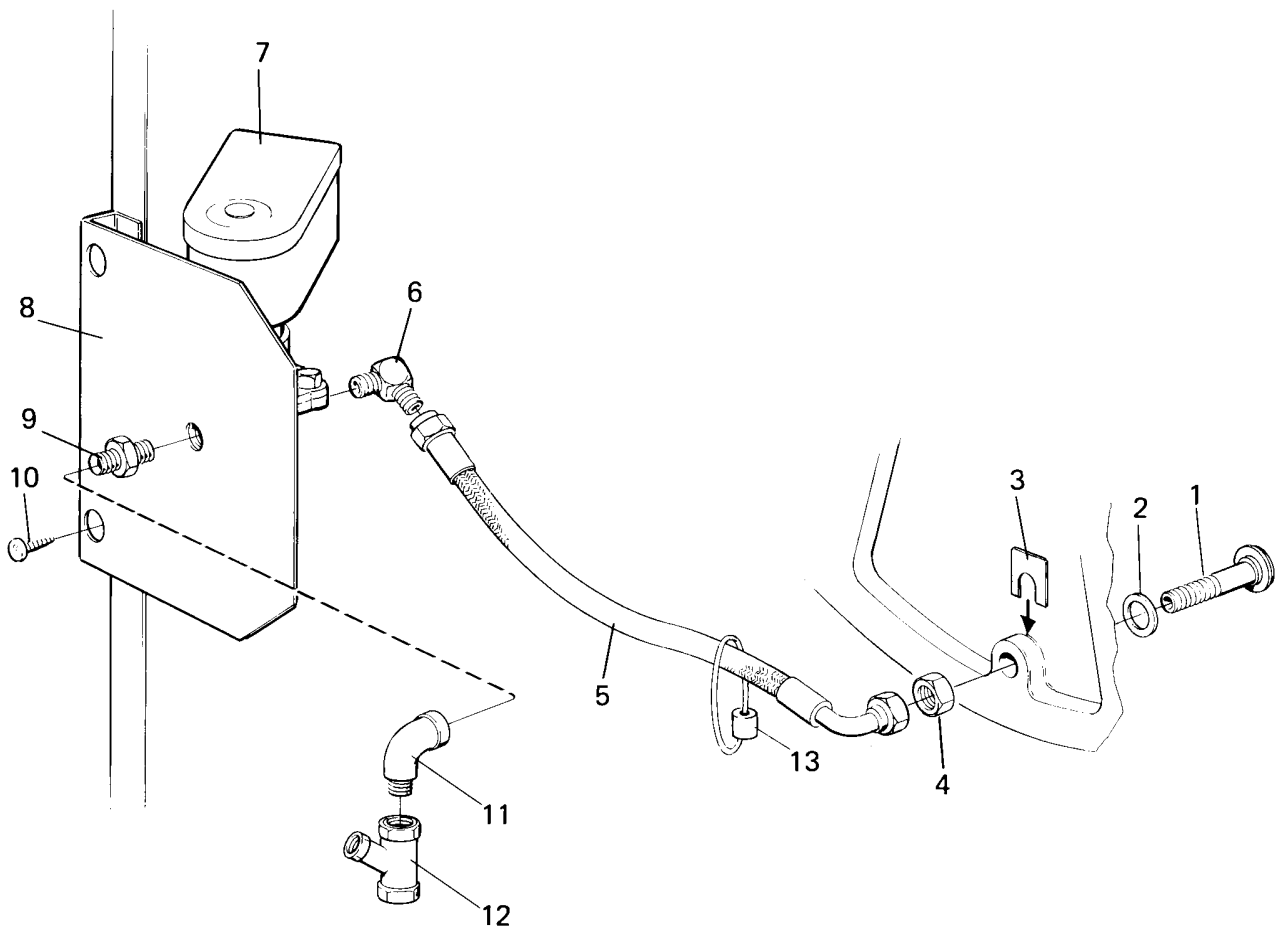
W100CC 0100/4711-**Electric components**

Illustration Issue Month Year

Illustration Utgåva Månad År

Elkomponenter**101968/1 1 4 2001**

Item Pos.	Qua. Ant.	Art.No Art.nr	Description	Benämning	Info Info	Notes Anmärkning
1	1	432 1132-01	Mounting plate	Monteringsplåt	3	
2	1	432 1131-01	End piece	Gavel	3	
3	1	432 1133-01	Bracket	Fäste	3	
4	1	432 1134-01	Bracket	Fäste	3	
5	1	432 1135-01	Cover	Lock	3	
6	3	438 9636-02	Contactora	Kontaktor	1,2	50Hz Motor
7	1	438 9636-02	Contactora	Kontaktor	1,2	50Hz Heating
8	1	471 9558-11	Transformer	Transformator	1,2	
9	1	471 9529-04	LC-filter	LC-filter	1	
10	1	471 9529-10	Mains filter	Nätfilter	1	208-240V
11	1	471 8992-11	Printed circuit board	Kretskort	1,2	
12	4	471 7958-01	Support	Stöd	3	
13	1	471 8756-01	Fuse holder	Säkringshållare	1,2	5X20 MM
14	1	471 8756-51	Insert	Insats	1,2	5X20MM
	1	471 8756-52	Insert	Insats	1,2	6,3X32MM,60Hz
15	1	471 8750-11	Fuse	Säkring	1,2	1,25A
	1	471 9027-85	Fuse	Säkring	1,2	60Hz
16	1	438 3022-25	Cable set	Ledningssats	3	Control module
17	1	438 3022-22	Cable set	Ledningssats	3	Motor
18	1	438 3022-26	Cable set	Ledningssats	3	Heating element
19	1	438 3022-23	Cable set	Ledningssats	3	Door
20	1	438 3022-27	Cable set	Ledningssats	3	MP-card
21	1	438 3022-28	Cable set	Ledningssats	3	Timer
22	1	438 3022-24	Cable set	Ledningssats	3	Inlet cable
23	1	438 3022-21	Cable set	Ledningssats	3	Inlet



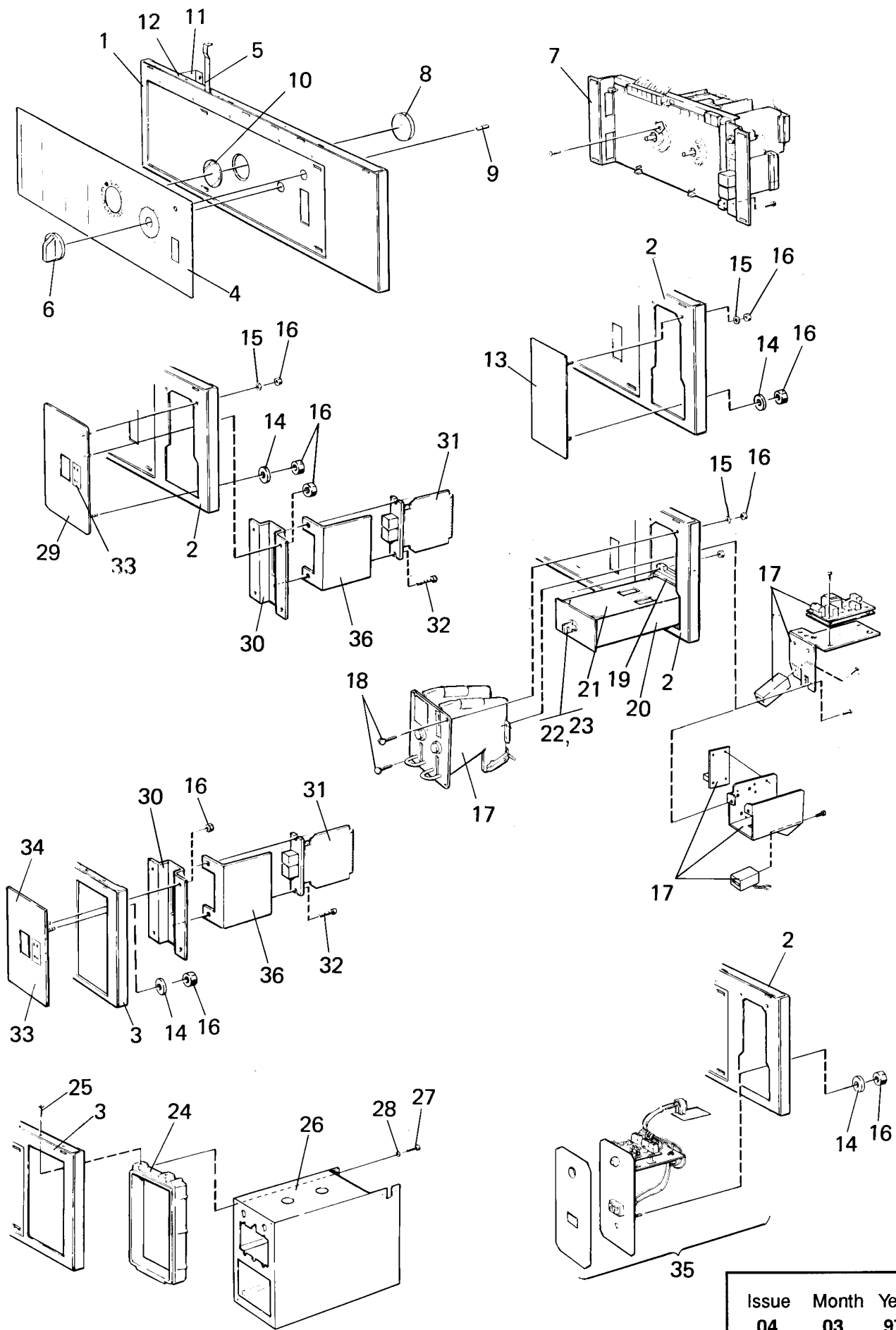
708,708E,1003,1003E,W100,W100CC,W100MP**Steam heating**

Illustration Issue Month Year

Illustration Utgåva Månad År

Ånguppvärmning**100934 10 8 2001**

Item Pos.	Qua. Ant.	Art.No Art.nr	Description	Benämning	Info Info	Notes Anmärkning
1	1	472 8977-01	Injector	Injektor	3	
2	1	471 8159-05	Gasket	Packning	3	
3	1	472 8978-01	Washer	Bricka	3	
4	1	741 1113-20	Nut	Mutter	3	
5	1	471 8126-33	Hose	Slang	1,2	
6	1	471 8670-31	Nipple	Nippel	3	
7	1	471 8279-03	Valve	Ventil	1,2	50/60 Hz
	1	471 8279-08	•Repair kit	•Reparationsats	1,2	
8	1	438 0167-01	Plate	Plåt	3	
9	1	471 8670-03	Nipple	Nippel	3	
10	5	729 9342-61	Screw	Skruv	3	4,2X13
11	1	471 9030-34	Angle	Vinkel	3	
12	1	744 3113-06	Filter	Filter	1	1/2"
13	1	438 0341-01	Reduction	Strypning	3	



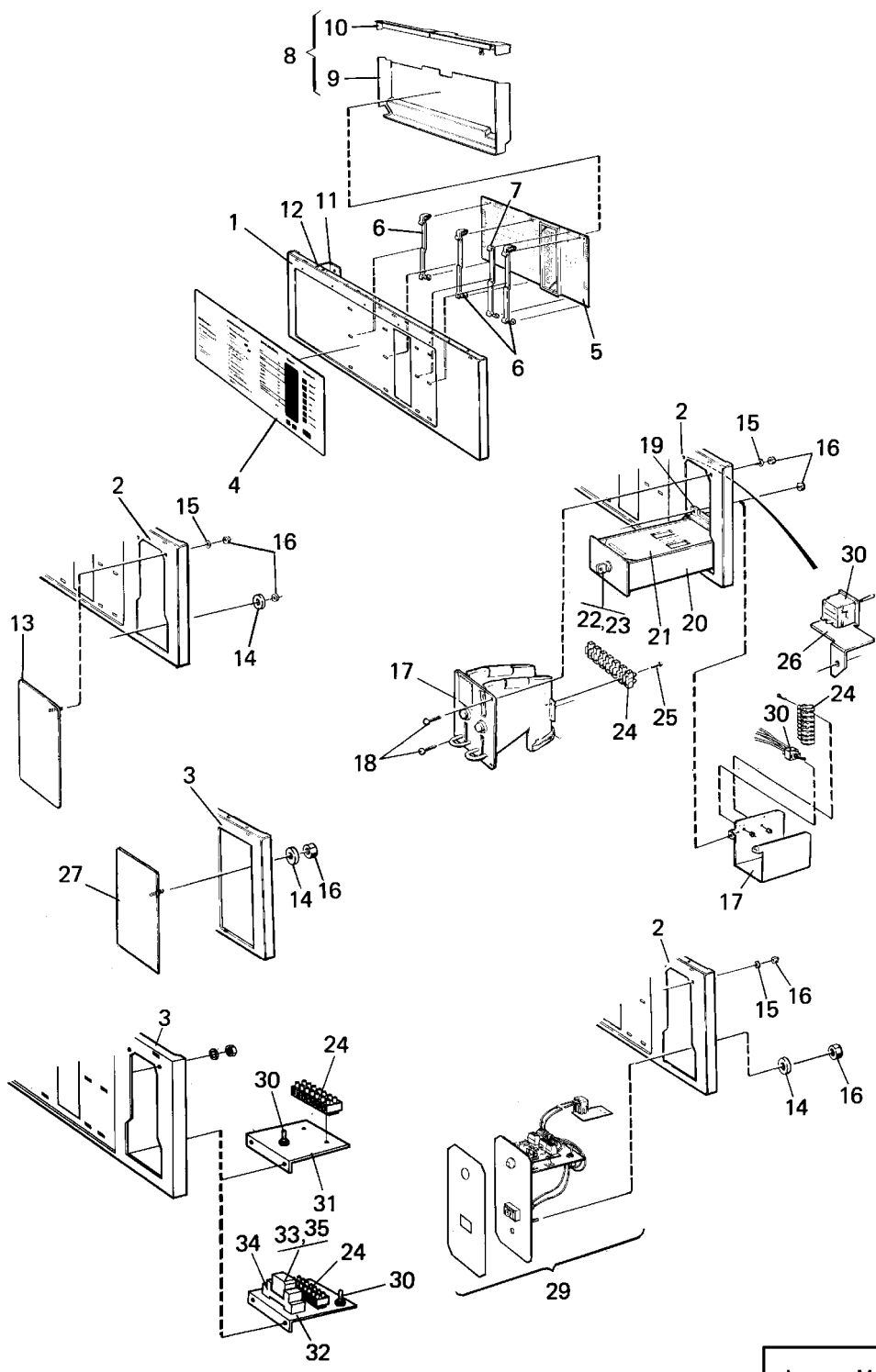
708,1003,W100**Control panel**

Illustration Issue Month Year

Illustration Utgåva Månad År

Manöverpanel**101062/4 9 10 2009**

Item Pos.	Qua. Ant.	Art.No Art.nr	Description	Benämning	Info Info	Notes Anmärkning
1	1	438 0006-01	Control panel	Manöverpanel	3	Black
	1	438 0006-25	Control panel	Manöverpanel	3	Red
	1	438 0006-50	Control panel	Manöverpanel	3	White
2	1	438 0006-02	Control panel	Manöverpanel	3	Black
	1	438 0006-26	Control panel	Manöverpanel	3	Red
	1	438 0006-51	Control panel	Manöverpanel	3	White
3	1	438 0006-03	Control panel	Manöverpanel	3	Black
	1	438 0006-27	Control panel	Manöverpanel	3	Red
	1	438 0006-52	Control panel	Manöverpanel	3	White
4	1		Panel sign	Panelskylt		
5	2	438 0039-01	Lock plate	Låsbleck	3	
6	1	438 0076-01	Knob	Vred	1,2	Complete
	1	472 5207-04	Knob	Vred	1,2	Complete Nyborg
7	1		Program unit	Programenhet		See group 8342
8	1	472 6082-01	Pointer	Visare	1	
9	1	471 9652-02	Pilot lamp	Signallampa	1,2	230V
	1	471 9652-01	Pilot lamp	Signallampa	1,2	110V
10	1	438 0040-01	Safety glass	Skyddsglas	1,2	
11	1	438 0152-01	Support	Stöd	3	
12	2	722 7843-02	Pop rivet	Popnit	3	
13	1	438 0333-01	Cover plate	Täckplåt	3	Black
	1	438 0333-11	Cover plate	Täckplåt	3	Red
	1	438 0333-21	Cover plate	Täckplåt	3	White
	1	438 0333-41	Cover plate	Täckplåt		Silver
14	2	734 1808-51	Washer	Bricka	3	NB 5X16
15	4	735 2136-01	Lock washer	Låsbricka	3	AZ 4,3
16	4	732 2112-01	Locking nut	Låsmutter	3	M4
17	1		Coin meter	Myntmätare		TOKEN Ø23,5X1,7 See group 8521
18	4	471 8910-90	Screw	Skruv	3	
19	1	471 4596-01	Frame	Ram	3	
20	1	471 4591-01	Coin box	Myntlåda	3	Complete
21	1	471 4592-01	Cover	Lock	3	
* 22	1	472 9919-30	Lock	Lås	1,2	Random key
23	1	471 7826-99	Nut	Mutter	3	
24	1	471 4705-02	Frame	Ram	3	
25	2	722 7843-02	Pop rivet	Popnit	3	
26	1	438 4088-01	Coin box	Myntbox	3	
27	4	471 8342-23	Screw	Skruv	3	MRT-TT 5X10
28	4	735 2146-01	Washer	Bricka	3	M5
29	1	438 0333-02	Cover	Lock	3	Black
	1	438 0333-12	Cover	Lock	3	Red
	1	438 0333-22	Cover	Lock	3	White
30	1	471 4904-02	Bracket	Konsol	3	
31	1	471 9648-01	Pushbutton unit	Tryckknappsenhet	1,2	2 buttons PX2,PX3
32	2	725 2289-61	Screw	Skruv	3	M4X10
33	1	471 4657-82	Sign	Skylt	3	
34	1	438 0334-02	Cover plate	Täckplåt	3	Black
	1	438 0334-12	Cover plate	Täckplåt	3	Red
	1	438 0334-22	Cover plate	Täckplåt	3	White
35	1		Control unit	Styrenhet		CP800 See group 8551, 8553
36	1	438 0455-01	Protection panel	Skyddsplåt	3	



Issue	Month	Year
06	03	97

708E,1003E,W100MP

Control panel

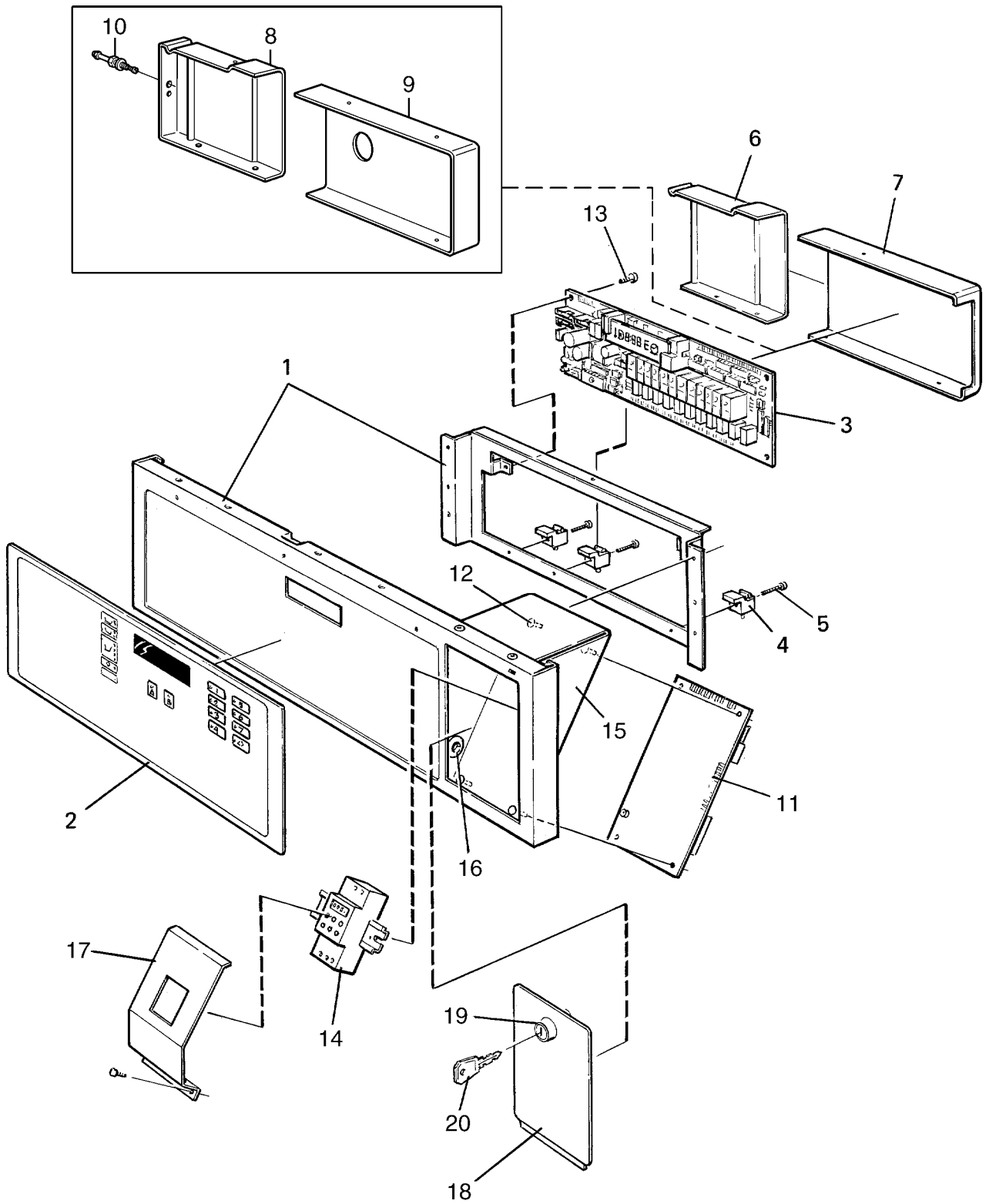
Illustration Issue Month Year

Illustration Utgåva Månad År

Manöverpanel

100978/6 15 10 2007

Item Pos.	Qua. Ant.	Art.No Art.nr	Description	Benämning	Info Info	Notes Anmärkning
1	1	438 0006-09	Control panel	Manöverpanel	3	Black
	1	438 0006-33	Control panel	Manöverpanel	3	Red
	1	438 0006-58	Control panel	Manöverpanel	3	White
2	1	438 0006-04	Control panel	Manöverpanel	3	Black
	1	438 0006-28	Control panel	Manöverpanel	3	Red
	1	438 0006-53	Control panel	Manöverpanel	3	White
3	1	438 0006-08	Control panel	Manöverpanel	3	Black
4	1		Panel sign	Panelskylt		
5	1	472 9904-39	Printed circuit board	Elektronikkort	1,2	-100/3460
	1	471 8964-12	Printed circuit board	Elektronikkort	1,2	100/3461-
6	3	472 8969-03	Bracket	Hållare	1	-100/3460
	3	472 8974-01	Bracket	Hållare	1	100/3461-
7	1	472 8969-02	Bracket	Hållare	1	-100/3460
	1	472 8974-02	Bracket	Hållare	1	100/3461-
8	1	472 9902-64	Heat shield	Värmesköld	3	Complete -95/66697
	1	438 4079-10	Heat shield	Värmesköld	3	Complete 95/66698-
9	1	438 4079-01	•Heat shield	•Värmesköld	3	
10	1	438 4079-02	•Heat shield	•Värmesköld	3	
11	1	438 0152-01	Support	Stöd	3	
12	2	722 7843-02	Pop rivet	Popnit	3	
13	1	438 0333-01	Cover plate	Täckplåt	3	Black
	1	438 0333-11	Cover plate	Täckplåt	3	Red
	1	438 0333-21	Cover plate	Täckplåt	3	White
14	2	734 1808-51	Washer	Bricka	3	NB 5X16
15	4	735 2136-01	Lock washer	Låsbricka	3	AZ 4,3
16	4	732 2112-01	Locking nut	Låsmutter	3	M4
17	1		Coin meter	Myntmätare		TOKEN Ø23,5X1,7
18	4	471 8910-90	Screw	Skruv	3	
19	1	471 4596-01	Frame	Ram	3	
20	1	471 4591-01	Coin box	Myntlåda	3	Complete
21	1	471 4592-01	Cover	Lock	3	
22	1	471 7829-01	Lock	Lås	1,2	
	1	471 7829-99	Lock catch	Låshake	1,2	Japan
	1	471 7840-01	Lock	Lås	1,2	
23	1	471 7826-99	Nut	Mutter	1	
24	1	762 7207-57	Terminal connection	Kopplingsplint	3	
25	2	471 8340-16	Screw	Skruv	3	RTS 3,5X25
26	1	471 4764-01	Bracket	Fäste	3	-96/76053
	1	438 0484-01	Bracket	Konsol	3	96/76054-
27	1	438 0334-01	Cover plate	Täckplåt	3	Black
	1	438 0334-11	Cover plate	Täckplåt	3	Red
	1	438 0334-21	Cover plate	Täckplåt	3	White
28	2	722 7843-02	Pop rivet	Popnit	3	
29	1		Conversion kit	Ombyggnadssats	3	See group 8555
30	1	471 9629-02	Switch	Brytare	1,2	
31	1	438 0260-10	Mounting plate	Fästplåt	3	
32	1	438 0332-02	Mounting plate	Fästplåt	3	
33	1	471 9649-01	Relay	Relä	1,2	
34	1	471 9649-02	Socket	Socket	1	
35	1	471 9649-11	Clamp	Bygel	3	



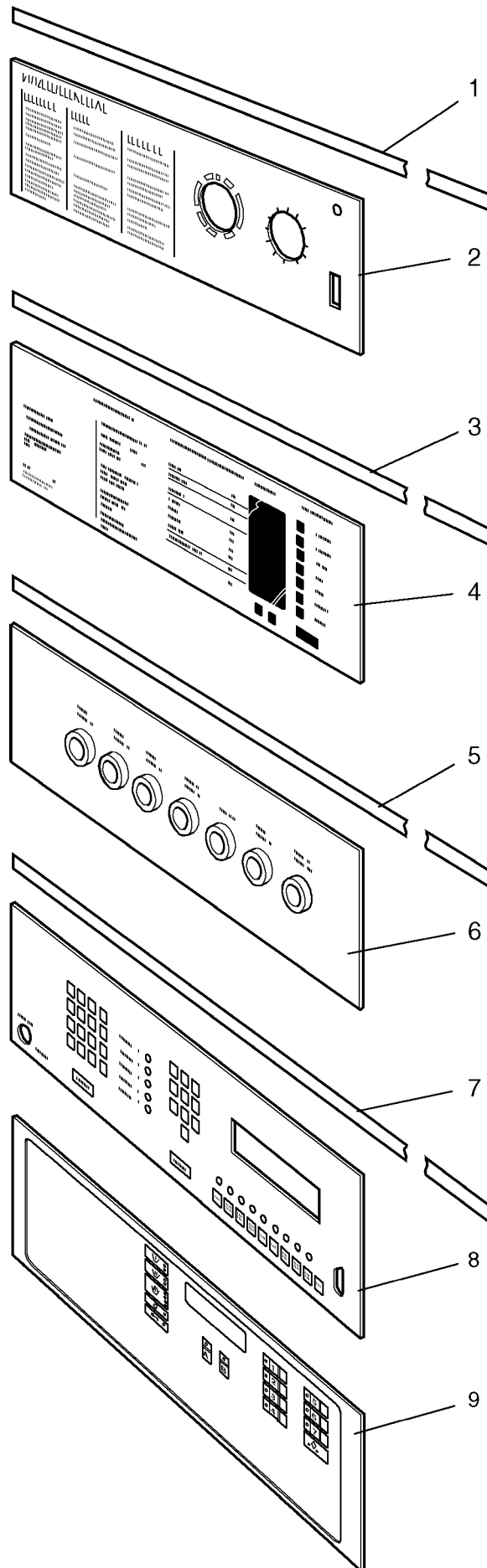
W100CC**Control panel**

Illustration Issue Month Year

Illustration Utgåva Månad År

Manöverpanel**101364/2 8 3 2003**

Item Pos.	Qua. Ant.	Art.No Art.nr	Description	Benämning	Info Info	Notes Anmärkning
1	1	438 4077-01	Control panel	Manöverpanel	3	Graphite grey
2	1	472 5762-08	Panel sign	Pannelskylt	3	Italian
	1	472 5762-03	Panel sign	Pannelskylt	3	German
	1	472 5762-04	Panel sign	Pannelskylt	3	Norwegian
	1	472 5762-05	Panel sign	Pannelskylt	3	ME11b Swedish
	1	472 5762-06	Panel sign	Pannelskylt	3	English
	1	472 5762-07	Panel sign	Pannelskylt	3	Dutch
	1	472 5762-09	Panel sign	Pannelskylt	3	Finnish/Swedish
	2	472 5762-10	Panel sign	Pannelskylt	3	Westfalia German
	2	472 5762-11	Panel sign	Pannelskylt	3	ME11N Swedish
	2	472 5762-13	Panel sign	Pannelskylt	3	Westfalia Swedish
	2	472 5762-14	Panel sign	Pannelskylt	3	XE01b Danish
3	1	471 8988-04	Printed circuit board	Kretskort	1,2	New prom has to be ordered -100/4430
	1	471 8988-04	Printed circuit board	Kretskort	1,2	New prom has to be ordered 100/4431-
4	3	438 5154-01	Bracket	Hållare	3	
5	3	471 8340-26	Screw	Skruv	3	4,2x25
6	1	438 4075-01	Heat shield	Värmesköld	3	Left -0100/4710
7	1	438 4075-02	Heat shield	Värmesköld	3	Right -0100/4710
8	1	438 4075-03	Heat shield	Värmesköld	3	Left 0100/4711-
9	1	438 4075-04	Heat shield	Värmesköld	3	Right 0100/4711-
10	1	432 1139-01	Pushbutton	Tryckknapp	3	Complete
11	1	472 9902-97	Printed circuit board	Kretskort	1,2	-99/002150
	1	471 8992-11	Printed circuit board	Kretskort	1,2	99/002151-
12	4	471 7958-01	Support	Stöd	3	
13	4	471 8340-22	Screw	Skruv	3	4,2X9,5
14	1	471 8920-03	Timer	Tidur	1,2	
15	1	438 4074-01	Bracket	Konsol	3	
16	1	762 1152-10	Grommet	Genomföring	3	
17	1	438 4076-01	Protection panel	Skyddsplåt	3	
18	1	438 4073-01	Cover plate	Täckplåt	3	
19	1	471 7826-13	Lock	Lås	1	Coin-meter
20	1	472 9900-99	Key	Nyckel	1	SET



708,708E,1003,1003E,W100,W100MP

Type plates and panel plates

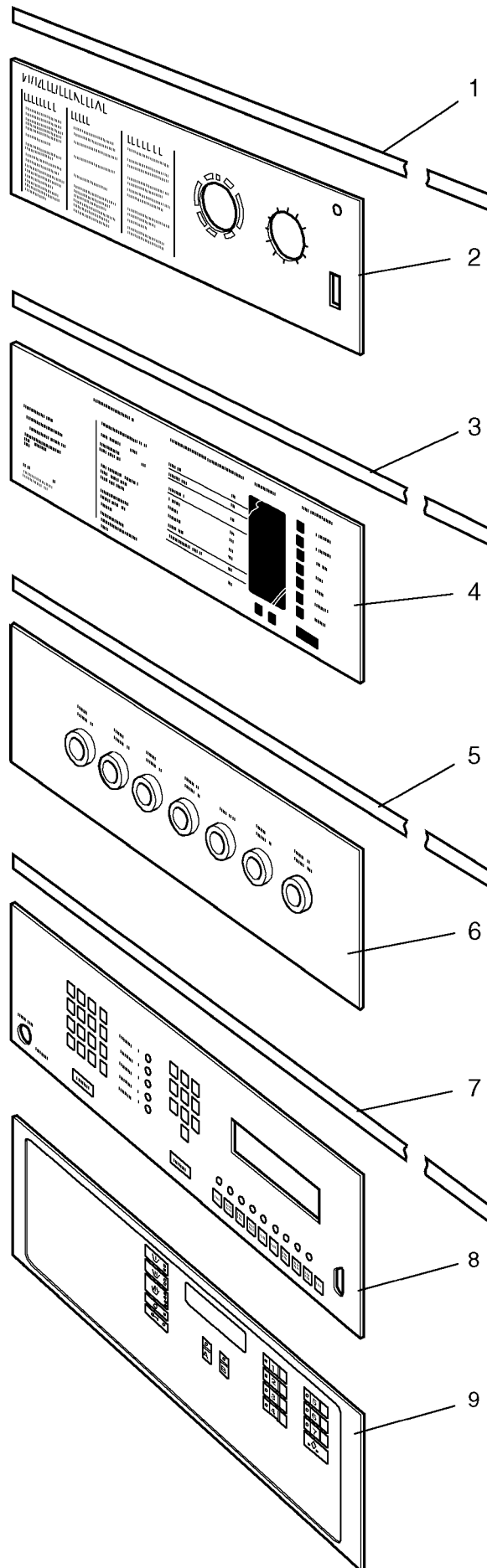
Illustration Issue Month Year

Illustration Utgåva Månad År

Typskyltar och panelskyltar

100838/4 14 2 1998

Item Pos.	Qua. Ant.	Art.No Art.nr	Description	Benämning	Info Info	Notes Anmärkning
1	1	438 2800-05	Type plate	Typskylt	1	W100
	1	438 2800-33	Type plate	Typskylt	1	LB121E
	1	438 2800-35	Type plate	Typskylt	1	ELECTROLUX ZANKER W100
	1	438 2800-37	Type plate	Typskylt	1	LB121BP
	1	438 2800-40	Type plate	Typskylt	1	PEKO W100
	1	438 2800-42	Type plate	Typskylt	3	MARYNEN 1003
	1	438 2800-08	Type plate	Typskylt	3	NYBORG 1003
	2	1	438 2900-01	Panel sign	Pannelskylt	1
1		438 2900-02	Panel sign	Pannelskylt	1	Finnish P01
1		438 2900-03	Panel sign	Pannelskylt	1	Danish P01
1		438 2900-04	Panel sign	Pannelskylt	1	German P01
1		438 2900-05	Panel sign	Pannelskylt	1	Norwegian P01
1		438 2900-06	Panel sign	Pannelskylt	1	English P01
1		438 2900-07	Panel sign	Pannelskylt	1	French P01
1		438 2900-08	Panel sign	Pannelskylt	1	Italian P01
1		438 2900-09	Panel sign	Pannelskylt	1	Spanish P01
1		438 2900-10	Panel sign	Pannelskylt	1	Dutch P01
1		438 2900-11	Panel sign	Pannelskylt	1	P01, IT, FR, SP, GB WITH AND WITHOUT COIN-METER
1		438 2901-02	Panel sign	Pannelskylt	1	P03, without coin meter
1		438 2904-01	Panel sign	Pannelskylt	1	English P02
1		438 2904-02	Panel sign	Pannelskylt	1	French P02
1		438 2904-03	Panel sign	Pannelskylt	1	Danish P02
1		438 2904-04	Panel sign	Pannelskylt	1	Norwegian P02
1		438 2904-05	Panel sign	Pannelskylt	1	Spanish P02
1		438 2903-01	Panel sign	Pannelskylt	1	Danish P21
1		438 2903-06	Panel sign	Pannelskylt	1	German P21
1	438 2903-02	Panel sign	Pannelskylt	1	Norwegian P21	
1	438 2903-03	Panel sign	Pannelskylt	1	English P21	
1	438 2903-04	Panel sign	Pannelskylt	1	French P21	
1	438 2903-05	Panel sign	Pannelskylt	1	Spanish P21	
1	438 2903-07	Panel sign	Pannelskylt	1	Dutch P21	
1	438 2903-60	Panel sign	Pannelskylt	1	Dutch P21, CP80	
1	438 2905-04	Panel sign	Pannelskylt	1	English P22	
1	438 2905-01	Panel sign	Pannelskylt	1	French P22	
1	438 2905-02	Panel sign	Pannelskylt	1	Norwegian P22	
1	438 2905-05	Panel sign	Pannelskylt	1	Dutch P22	
3	1	438 2800-20	Type plate	Typskylt	3	NYBORG 1003E
	1	438 2800-47	Type plate	Typskylt	3	MARYNEN 1003E
	1	438 2800-15	Type plate	Typskylt	3	W100MP
4	1	472 5753-05	Panel sign	Pannelskylt	1	Norwegian PE21, WITHOUT COIN-METER
	1	472 5753-02	Panel sign	Pannelskylt	1	Danish PE21, COIN-METER
	1	472 5753-54	Panel sign	Pannelskylt	1	Dutch PE22, NO COIN-METER
	1	472 5753-56	Panel sign	Pannelskylt	1	Danish PE22, CP80
	1	472 5753-09	Panel sign	Pannelskylt	1	Dutch PE21, NO COIN-METER
	1	472 5753-02	Panel sign	Pannelskylt	1	Danish PE22, COIN-METER
	1	472 5752-01	Panel sign	Pannelskylt	1	Swedish PE11, WITHOUT COIN-METER
	1	472 5752-80	Panel sign	Pannelskylt	1	English PE08
	1	472 5752-03	Panel sign	Pannelskylt	1	English PE01, WITHOUT COIN-METER
	1	472 5752-05	Panel sign	Pannelskylt	1	Norwegian PE01, WITHOUT COIN-METER
	1	472 5752-06	Panel sign	Pannelskylt	1	German PE01, WITHOUT COIN-METER
	1	472 5752-07	Panel sign	Pannelskylt	1	FINNISH/SWEDISH PE01 WITHOUT COIN-METER



708,708E,1003,1003E,W100,W100MP

Type plates and panel plates

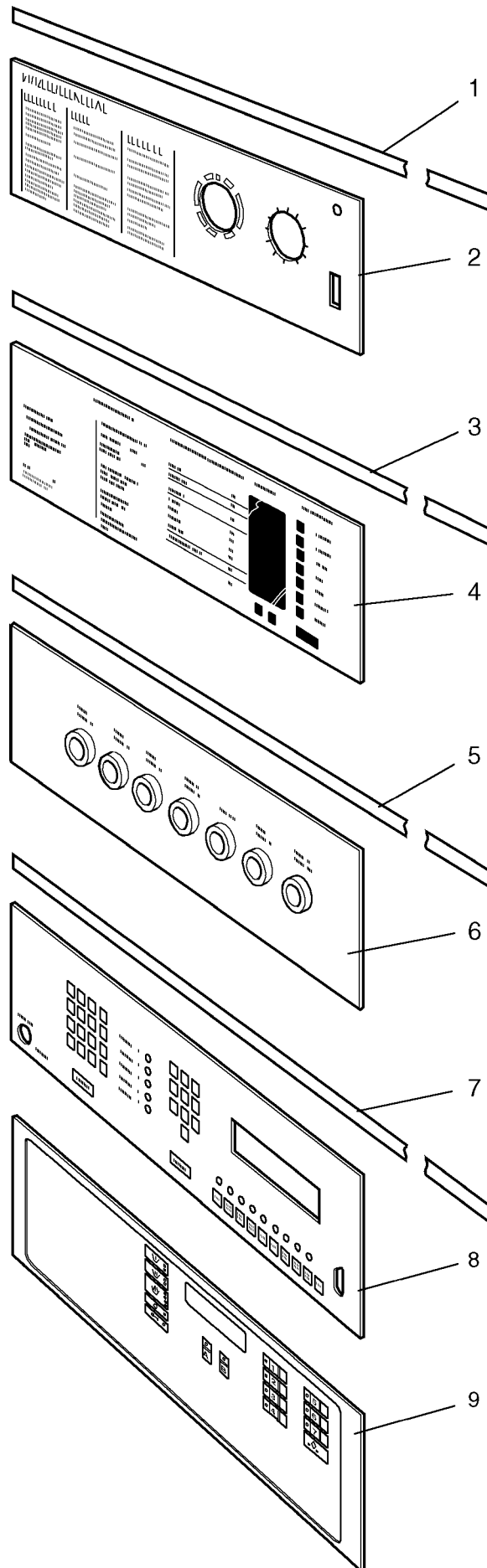
Illustration Issue Month Year

Illustration Utgåva Månad År

Typskyltar och panelskyltar

100838/4 14 2 1998

Item Pos.	Qua. Ant.	Art.No Art.nr	Description	Benämning	Info Info	Notes Anmärkning
	1	472 5752-08	Panel sign	Pannelskylt	1	Danish PE01
	1	472 5752-10	Panel sign	Pannelskylt	1	Swedish PE01, WITH COIN-METER
	1	472 5752-11	Panel sign	Pannelskylt	1	Danish PE01, WITH COIN-METER
	1	472 5752-70	Panel sign	Pannelskylt	1	Dutch PE02, WITHOUT COIN-METER
	1	472 5752-71	Panel sign	Pannelskylt	1	Dutch PE02, WITH COIN-METER
	1	472 5752-72	Panel sign	Pannelskylt	1	English PE02, WITHOUT COIN-METER
	1	472 5752-73	Panel sign	Pannelskylt	1	English PE02, WITH COIN-METER
	1	472 5752-74	Panel sign	Pannelskylt	1	Danish PE02, WITHOUT COIN-METER
	1	472 5752-75	Panel sign	Pannelskylt	1	Danish PE02, WITH COIN-METER
	1	472 5752-76	Panel sign	Pannelskylt	1	French PE02, WITH COIN-METER
	1	472 5752-77	Panel sign	Pannelskylt	1	French PE02, NO COIN-METER AO
	1	472 5753-11	Panel sign	Pannelskylt	1	Norwegian PE21, WITH COIN-METER
	1	472 5753-14	Panel sign	Pannelskylt	1	German PE21, WITHOUT COIN-METER
	1	472 5752-15	Panel sign	Pannelskylt	1	English hospital without coin meter HE02
	1	472 5753-06	Panel sign	Pannelskylt	1	English PE22, NO COIN-METER
	1	472 5753-07	Panel sign	Pannelskylt	1	English PE22, NO COIN-METER
	1	472 5753-01	Panel sign	Pannelskylt	1	Danish PE22, NO COIN-METER
	1	472 5753-55	Panel sign	Pannelskylt	1	English PE22, NO COIN-METER
	1	472 5753-15	Panel sign	Pannelskylt	1	Dutch PE21, CP
	1	472 5753-11	Panel sign	Pannelskylt	1	Norwegian PE21, WITH COIN-METER
	4	472 5753-14	Panel sign	Pannelskylt	004	German PE21, WITHOUT COIN-METER
	1	472 5753-04	Panel sign	Pannelskylt	1	English hygien without coin meter HE22
	1	472 5753-13	Panel sign	Pannelskylt	1	Danish HE22
	1	472 5753-03	Panel sign	Pannelskylt	1	Danish PE21, CENTRAL CONTROL
	1	472 5753-16	Panel sign	Pannelskylt	1	French PE21, NO COIN-METER
	1	472 5753-18	Panel sign	Pannelskylt	1	German PE21, CP
	1	472 5753-10	Panel sign	Pannelskylt	1	TURKISH PE21, CP
	1	472 5753-59	Panel sign	Pannelskylt	1	CP TURKISH PE22, CP
	1	472 5753-50	Panel sign	Pannelskylt	1	German PE22, CP80
	1	472 5753-51	Panel sign	Pannelskylt	1	German PE22, COIN-METER
	1	472 5753-52	Panel sign	Pannelskylt	1	German PE22, NO COIN-METER
	1	472 5753-57	Panel sign	Pannelskylt	1	German with coin meter PE24A, COIN-METER
	1	472 5753-17	Panel sign	Pannelskylt	1	English PE21, FIRE BRIGADE
	1	472 5753-53	Panel sign	Pannelskylt	1	English PE22, COIN-METER
	1	472 5753-54	Panel sign	Pannelskylt	1	Dutch PE22, NO COIN-METER



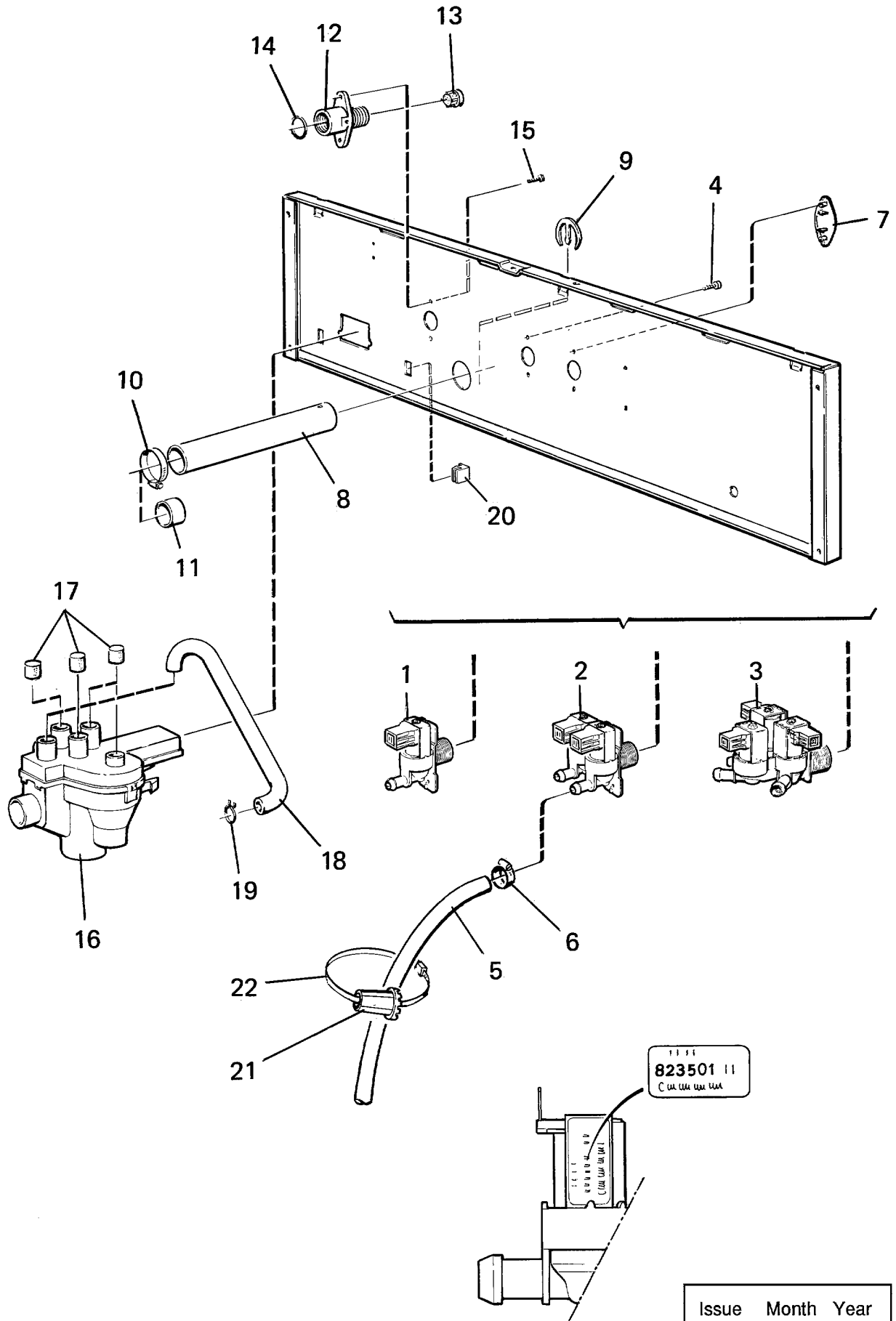
708,708E,1003,1003E,W100,W100MP**Type plates and panel plates**

Illustration	Issue	Month	Year
Illustration	Utgåva	Månad	År

Typskyltar och panelskyltar

100838/4	14	2	1998
-----------------	-----------	----------	-------------

Item Pos.	Qua. Ant.	Art.No Art.nr	Description	Benämning	Info Info	Notes Anmärkning
5 6 7 8	1	472 5753-58	Panel sign	Pannelskylt	1	CP Polish PE22, CP Not used Not used Not used Not used



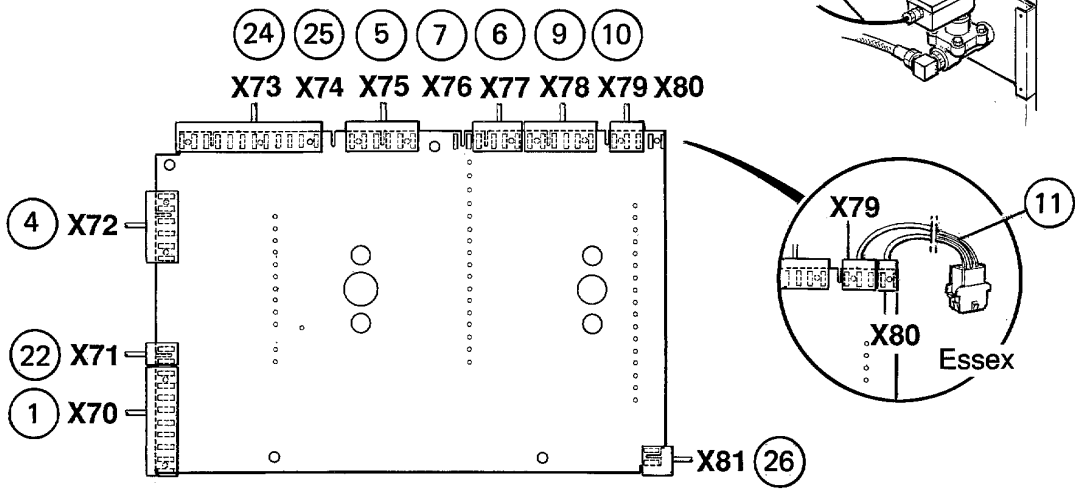
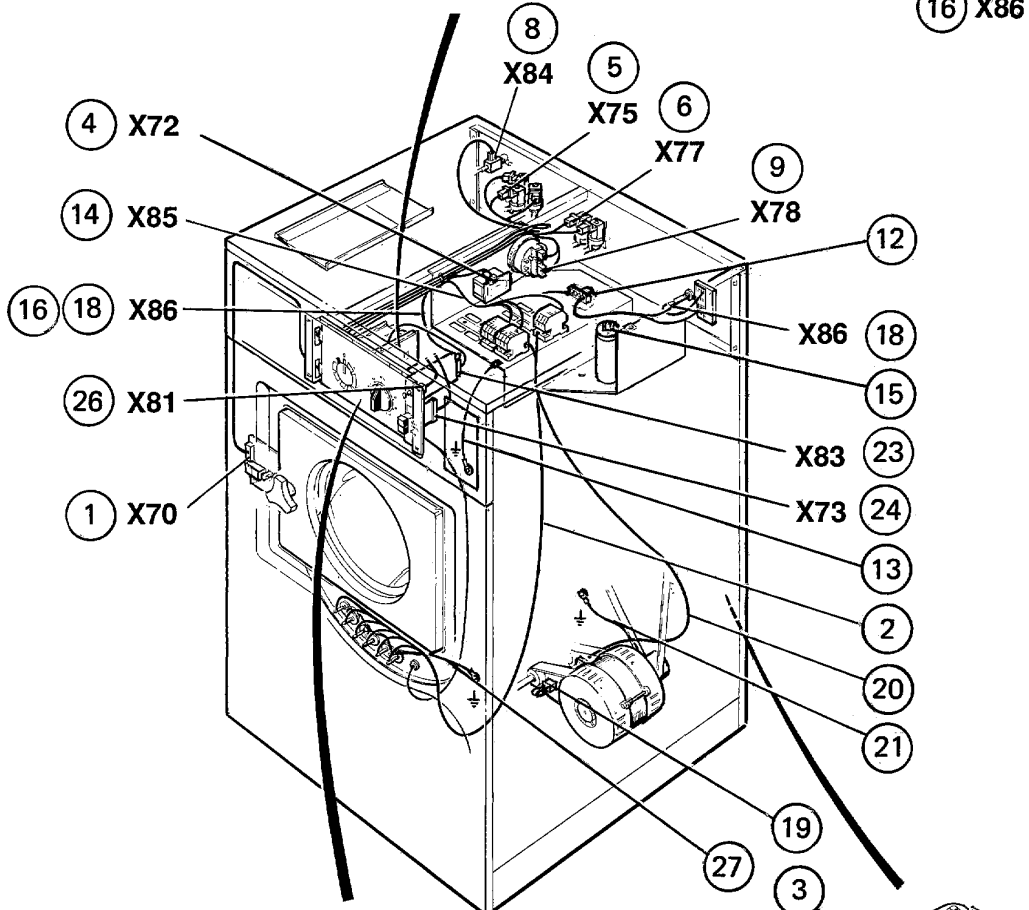
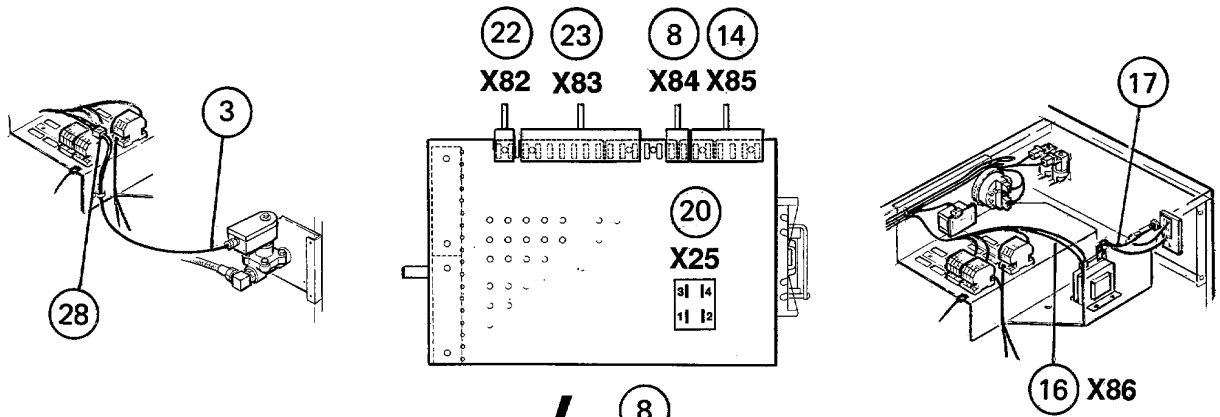
708,708E,1003,1003E,W100,W100CC,W100MP**Water alternatives**

Illustration Issue Month Year

Illustration Utgåva Månad År

Vattenalternativ**100930/2 8 3 2003**

Item Pos.	Qua. Ant.	Art.No Art.nr	Description	Benämning	Info Info	Notes Anmärkning
1	RQ		Valve	Ventil		1-way See group 8115
2	RQ		Valve	Ventil		2-way See group 8116
3	RQ		Valve	Ventil		3-way See group 8117
4	RQ	471 8341-11	Screw	Skruv	3	MRT 4X6
5	RQ	877 5211-08	Hose	Slang	1	Per 1 m Per 1 M
6	RQ	736 2816-51	Hose clamp	Slangklämma	3	Ø13-19
7	RQ	472 6761-01	Cover washer	Täckbricka	3	
8	1	438 0145-02	Hose	Slang	1	
9	1	438 0127-01	Lock	Lås	3	
10	1	736 2825-51	Hose clamp	Slangklämma	3	Ø32
11	RQ	471 8644-03	Hood	Huv	3	
12	1	438 0056-03	Nipple	Nippel	3	Black, 3/4"
13	1	471 8693-21	Filter	Filter	3	
14	1	471 8199-01	Gasket	Packning	3	
15	2	471 8317-05	Screw	Skruv	3	
16	1	472 8714-03	Siphon breaker	Återsugningsskydd	3	
17	RQ	471 8175-01	Plug	Plugg	3	
18	1	438 0082-01	Hose	Slang	1	-96/78708
	1	438 5357-01	Hose	Slang	1	96/78709-100/1710
	1	438 5191-02	Hose	Slang	1	100/1711-
19	1	736 2842-01	Clamp	Klämma	3	-96/78708
	1	736 2825-51	Hose clamp	Slangklämma	3	Ø32 96/78709-100/1710
20	2	438 0125-01	Catch	Spärr	3	
21	1	471 4792-01	Tool	Verktyg	1,2	
22	1	762 9105-05	Cable strap	Kabelband	3	



Issue	Month	Year
05	02	94

708,1003,W100 -93/46072

Cables P01,11,21,31,61

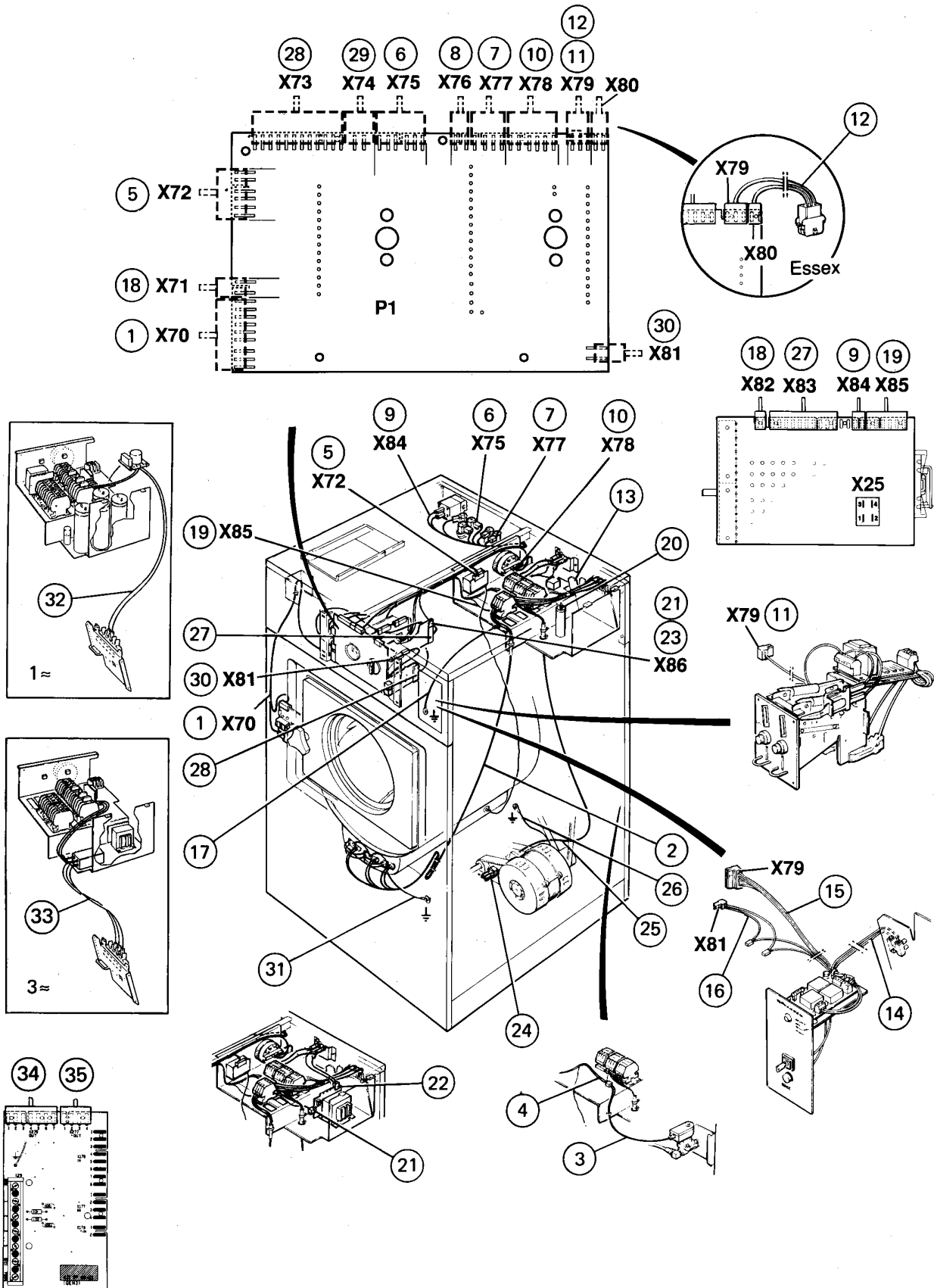
Illustration Issue Month Year

Illustration Utgåva Månad År

Kablage P01,11,21,31,61

100723/5 5 2 1998

Item Pos.	Qua. Ant.	Art.No Art.nr	Description	Benämning	Info Info	Notes Anmärkning
1	1	438 3030-10	Cables	Kablage	3	DOOR LOCK,X70
2	1	438 3020-30	Cables	Kablage	3	7,9KW 400V HEATING 3AC
	1	438 3020-20	Cables	Kablage	3	7,5KW 230/400V HEATING 3AC
	1	438 3020-21	Cables	Kablage	3	5,4KW 230/400V HEATING 3AC
	1	438 3020-19	Cables	Kablage	3	5,4KW 240V HEATING 1AC
	1	438 3020-18	Cables	Kablage	3	5KW 120V HEATING 1AC
3	1	438 3020-55	Cables	Kablage	3	HEATING DS
4	1	438 3030-30	Cables	Kablage	3	THERMOSTAT,X72
5	1	438 3086-13	Cables	Kablage	3	COLD WATER, X75
6	1	438 3084-09	Cables	Kablage	3	HOT WATER, X77
7	1	438 3082-19	Cables	Kablage	3	COLD HARD WATER, X76
8	1	438 3019-65	Cables	Kablage	3	DRAIN VALVE,WATER CONTROLLED
	1	438 3019-67	Cables	Kablage	3	DRAIN VALVE,EL. CONTROLLED
9	1	438 3086-15	Cables	Kablage	3	LEVEL CONTROL, X78
10	1	438 3019-34	Cables	Kablage	3	COIN-METER, X79
11	1	438 3019-39	Cables	Kablage	3	ESSEX COIN-METER, X79,X80
12	1	438 3019-44	Cables	Kablage	3	EXTERNAL COIN-METER
13	1	438 3019-43	Cables	Kablage	3	GROUND(GREENWALD)
14	1	438 3031-10	Cables	Kablage	3	MOTOR RELAY,X85
15	1	438 3010-13	Cables	Kablage	3	EXTRA CAPACITOR
16	1	438 3082-11	Cables	Kablage	3	2-POLE TRAF0 IN,X80 2-POLE TRAF0 IN, X86
17	1	438 3031-66	Cables	Kablage	3	2-POLE TRAF0
18	1	438 3031-32	Cables	Kablage	3	2-POLE IN,X80 2-POLE IN, X86
19	1	471 8748-01	Cables	Kablage	3	230V MOTOR PLUG
	1	471 8748-02	Cables	Kablage	3	400V MOTOR PLUG
20	1	438 3011-15	Cables	Kablage	3	MOTOR WITH START RELAY
	1	438 3010-15	Cables	Kablage	3	MOTOR 1AC
	1	438 3010-35	Cables	Kablage	3	MOTOR 3AC
21	1	471 4878-01	Cables	Kablage	3	GROUND MOTOR/FRAME
22	1	438 3030-05	Cables	Kablage	3	X71-X82
23	1	438 3031-00	Cables	Kablage	3	ROTARY SWITCH, X83-X183
24	1	438 3030-40	Cables	Kablage	3	PUSH BUTTON, X73-X173
25	1	438 3030-42	Cables	Kablage	3	PUSH BUTTON,X74-X174, ONLY P3
26	1	438 3082-15	Cable set	Kabelsats	3	PILOT LAMP,X81
27						Not used
28	1	438 3021-04	Cables	Kablage	3	DS,NEUTRAL HARNESS



Issue	Month	Year
04	09	97

708,1003,W100 93/46073-

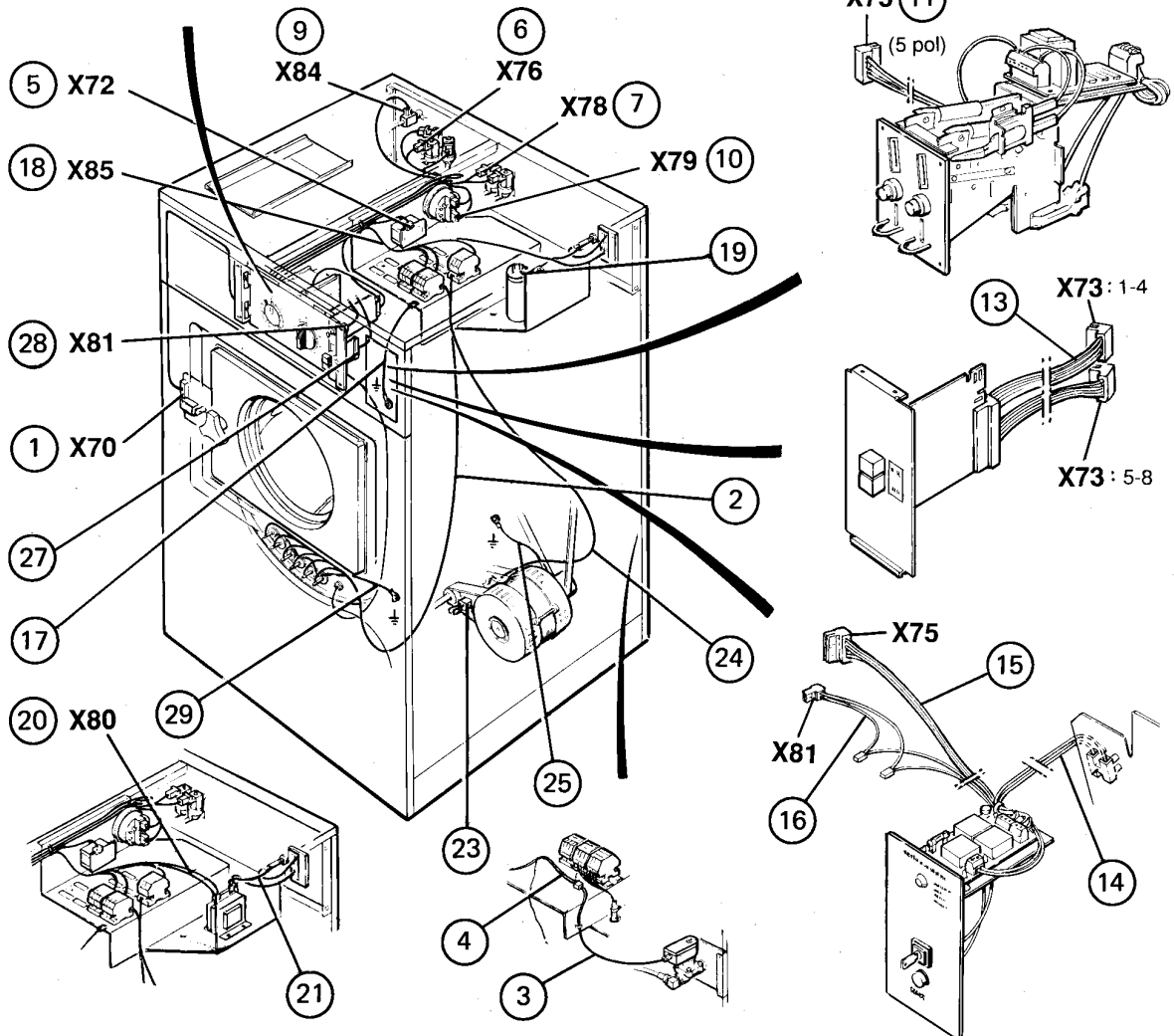
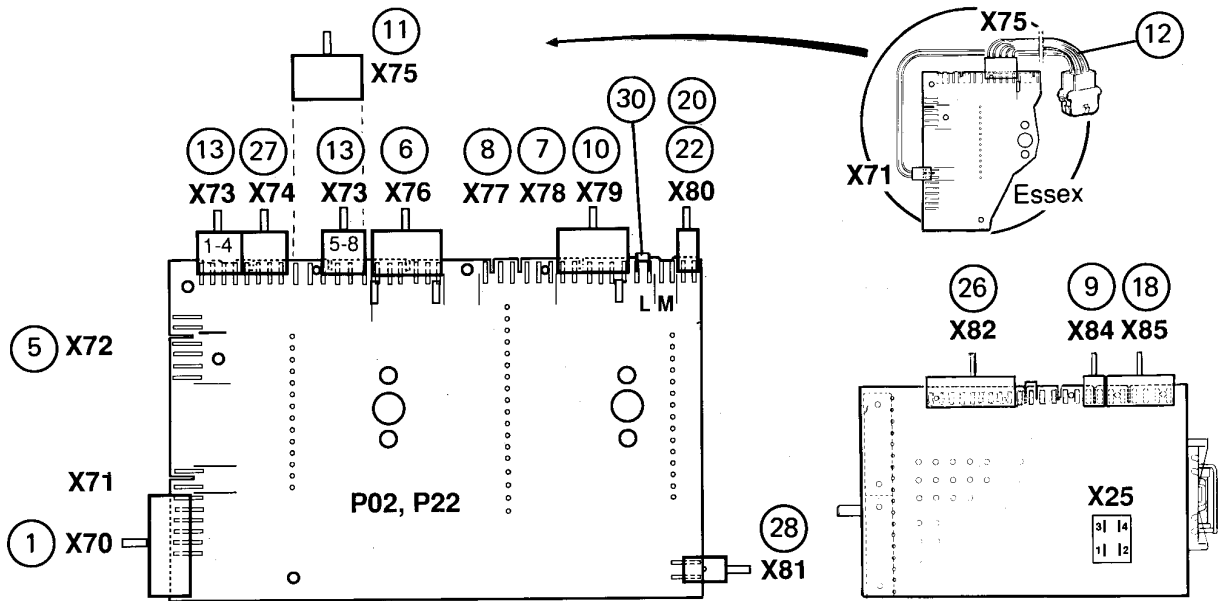
Cables P01,11,21,31,61

Illustration Issue Month Year
Illustration Utgåva Månad År

Kablage P01,11,21,31,61

101140/4 5 2 1998

Item Pos.	Qua. Ant.	Art.No Art.nr	Description	Benämning	Info Info	Notes Anmärkning
1	1	438 3089-03	Cables	Kablage	3	DOOR LOCK,X70
2	1	438 3020-50	Cables	Kablage	3	7,9KW 400V HEATING 3AC
	1	438 3020-51	Cables	Kablage	3	7,5KW 230/400V HEATING 3AC
	1	438 3020-53	Cables	Kablage	3	5,4KW 240V HEATING 1AC
	1	438 3020-54	Cables	Kablage	3	5KW 120V HEATING 1AC
	1	438 3020-52	Cables	Kablage	3	5,4KW 230/400V HEATING 3AC
3	1	438 3020-55	Cables	Kablage	3	HEATING DS
4	1	438 3021-04	Cables	Kablage	3	DS,NEUTRAL HARNESS
5	1	438 3030-30	Cables	Kablage	3	THERMOSTAT,X72
6	1	438 3086-14	Cables	Kablage	3	COLD WATER, X75
7	1	438 3084-09	Cables	Kablage	3	HOT WATER, X77
8	1	438 3082-19	Cables	Kablage	3	COLD HARD WATER, X76
9	1	438 3019-66	Cables	Kablage	3	DRAIN VALVE,WATER CONTROLLED
	1	438 3019-67	Cables	Kablage	3	DRAIN VALVE,EL. CONTROLLED
10	1	438 3086-16	Cables	Kablage	3	LEVEL CONTROL, X78
11	1	438 3019-34	Cables	Kablage	3	COIN-METER, X79
12	1	438 3019-39	Cables	Kablage	3	ESSEX COIN-METER, X79,X80
13	1	438 3019-44	Cables	Kablage	3	EXTERNAL COIN-METER
14	1	438 3019-07	Cables	Kablage	3	CP800
15	1	438 3019-01	Cables	Kablage	3	CP800 START, X79
16	1	438 3019-03	Cables	Kablage	3	CP800,X81
17	1	438 3019-43	Cables	Kablage	3	GROUND(GREENWALD)
18	1	438 3030-05	Cables	Kablage	3	X71-X82
19	1	438 3014-05	Cables	Kablage	3	MOTOR RELAY,X85
20	1	438 3010-13	Cables	Kablage	3	EXTRA CAPACITOR
21	1	438 3082-11	Cables	Kablage	3	2-POLE TRAF0 IN,X80 2-POLE TRAF0 IN, X86
22	1	438 3009-11	Cables	Kablage	3	2-POLE TRAF0
23	1	438 3019-09	Cables	Kablage	3	2-POLE IN,X80 2-POLE IN, X86
24	1	471 8748-01	Cables	Kablage	3	230V MOTOR PLUG
	1	471 8748-02	Cables	Kablage	3	400V MOTOR PLUG
25	1	438 3014-71	Cables	Kablage	3	MOTOR 1AC WITH START RELAY
	1	438 3014-72	Cables	Kablage	3	MOTOR 1AC
	1	438 3014-73	Cables	Kablage	3	MOTOR 3AC
26	1	471 4878-01	Cables	Kablage	3	GROUND MOTOR/FRAME
27	1	438 3031-00	Cables	Kablage	3	ROTARY SWITCH, X83-X183
28	1	438 3030-40	Cables	Kablage	3	PUSH BUTTON, X73-X173
29	1	438 3030-42	Cables	Kablage	3	PUSH BUTTON,X74-X174, ONLY P3
30	1	438 3082-15	Cable set	Kabelsats	3	PILOT LAMP,X81
31						Not used
32	1	438 3014-11	Cables	Kablage	3	LC-FILTER 1AC, 94/61234-
33	1	438 3014-13	Cables	Kablage	3	LC-FILTER 3AC, 94/61234-
	1	438 3014-12	Cables	Kablage	3	LC-FILTER 3AC TRAF0, 94/61234-
34	1	438 3030-62	Cables	Kablage	3	
35	1	438 3030-72	Cables	Kablage	3	



708,1003,W100 -93/46072

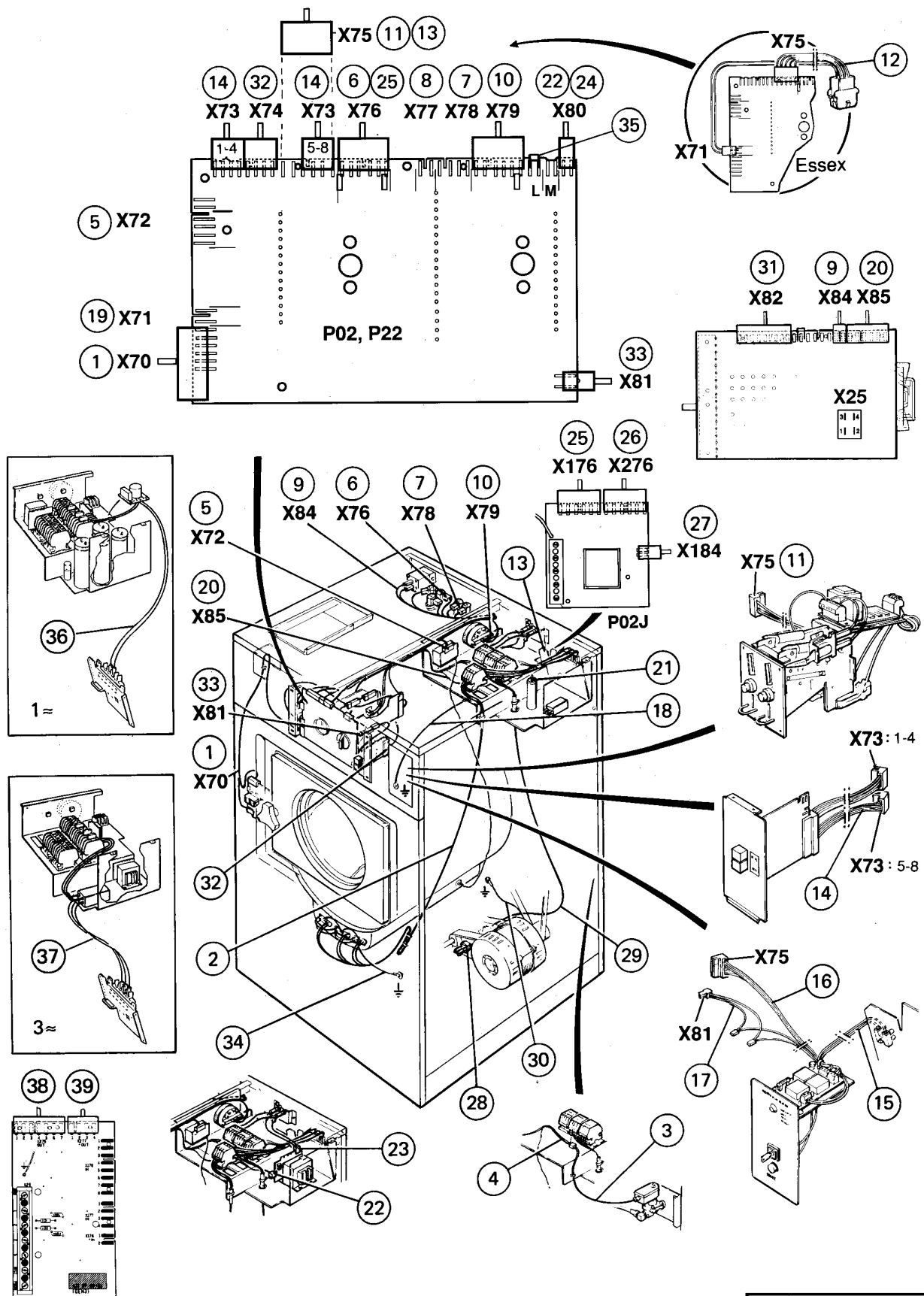
Cables P02,22

Illustration Issue Month Year
Illustration Utgåva Månad År

Kablage P02,22

101141/2 6 2 1998

Item Pos.	Qua. Ant.	Art.No Art.nr	Description	Benämning	Info Info	Notes Anmärkning
1	1	438 3030-10	Cables	Kablage	3	DOOR LOCK,X70
2	1	438 3020-21	Cables	Kablage	3	5,4KW 230/400V HEATING 3AC
	1	438 3020-20	Cables	Kablage	3	7,5KW 230/400V HEATING 3AC
	1	438 3020-19	Cables	Kablage	3	5,4KW 240V HEATING 1AC
	1	438 3020-18	Cables	Kablage	3	5KW 120V HEATING 1AC
	1	438 3019-21	Cables	Kablage	3	HEATING 3AC
3	1	438 3020-55	Cables	Kablage	3	HEATING DS
4	1	438 3021-04	Cables	Kablage	3	DS,NEUTRAL HARNESS
5	1	438 3030-30	Cables	Kablage	3	THERMOSTAT,X72
6	1	438 3086-13	Cables	Kablage	3	COLD WATER,X76
7	1	438 3084-09	Cables	Kablage	3	HOT WATER,X78
8	1	438 3082-19	Cables	Kablage	3	COLD HARD WATER,X77
9	1	438 3019-65	Cables	Kablage	3	DRAIN VALVE,WATER CONTROLLED
	1	438 3019-67	Cables	Kablage	3	DRAIN VALVE,EL. CONTROLLED
10	1	438 3086-15	Cables	Kablage	3	LEVEL CONTROL,X79
11	1	438 3019-37	Cables	Kablage	3	COIN-METER,X75
12	1	438 3019-32	Cables	Kablage	3	ESSEX COIN-METER,X71,X75
13	1	438 3030-41	Cables	Kablage	3	MANUAL START,X73
14	1	438 3019-07	Cables	Kablage	3	CP800
15	1	438 3019-02	Cables	Kablage	3	CP800 START,X75
16	1	438 3019-03	Cables	Kablage	3	CP800,X81
17	1	438 3019-21	Cables	Kablage	3	GROUND(GREENWALD)
18	1	438 3031-10	Cables	Kablage	3	MOTOR RELAY,X85
19	1	438 3010-13	Cables	Kablage	3	EXTRA CAPACITOR
20	1	438 3082-11	Cables	Kablage	3	2-POLE TRAFO IN,X80
21	1	438 3031-66	Cables	Kablage	3	2-POLE TRAFO
22	1	438 3031-32	Cables	Kablage	3	2-POLE IN,X80
23	1	471 8748-01	Cables	Kablage	3	230V MOTOR PLUG
	1	471 8748-02	Cables	Kablage	3	400V MOTOR PLUG
24	1	438 3011-15	Cables	Kablage	3	MOTOR WITH START RELAY
	1	438 3010-15	Cables	Kablage	3	MOTOR 1AC
	1	438 3010-35	Cables	Kablage	3	MOTOR 3AC
25	1	471 4878-01	Cables	Kablage	3	GROUND MOTOR/FRAME
26	1	438 3031-00	Cables	Kablage	3	ROTARY SWITCH,X82-X182
27	1	438 3084-05	Cables	Kablage	3	STOP,X74-X174
28	1	438 3082-15	Cable set	Kabelsats	3	PILOT LAMP,X81
29						Not used
30	1	472 9913-43	Clamp	Bygel	3	Kit 25 pcs



Issue	Month	Year
05	09	97

708,1003,W100 93/46073-

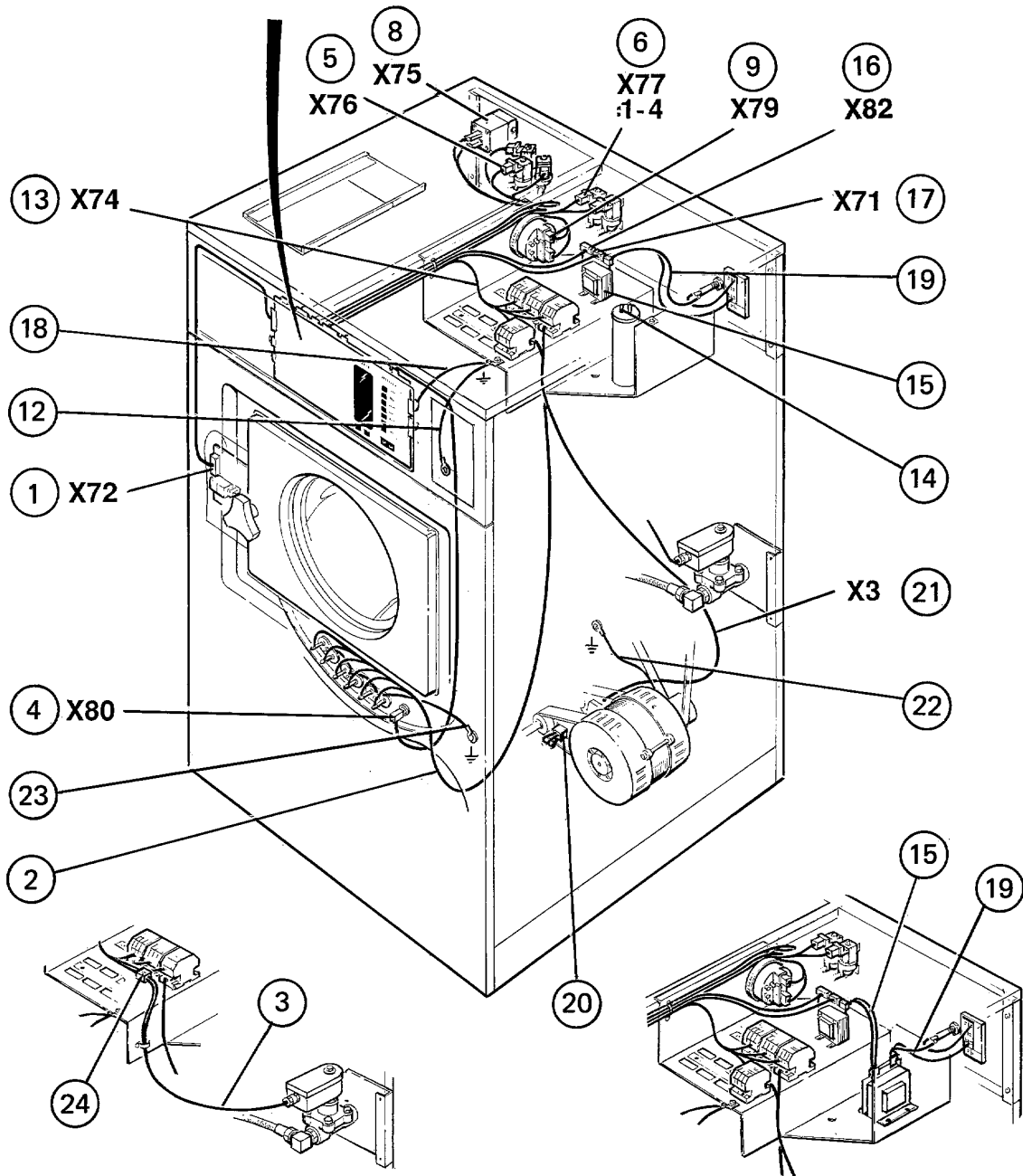
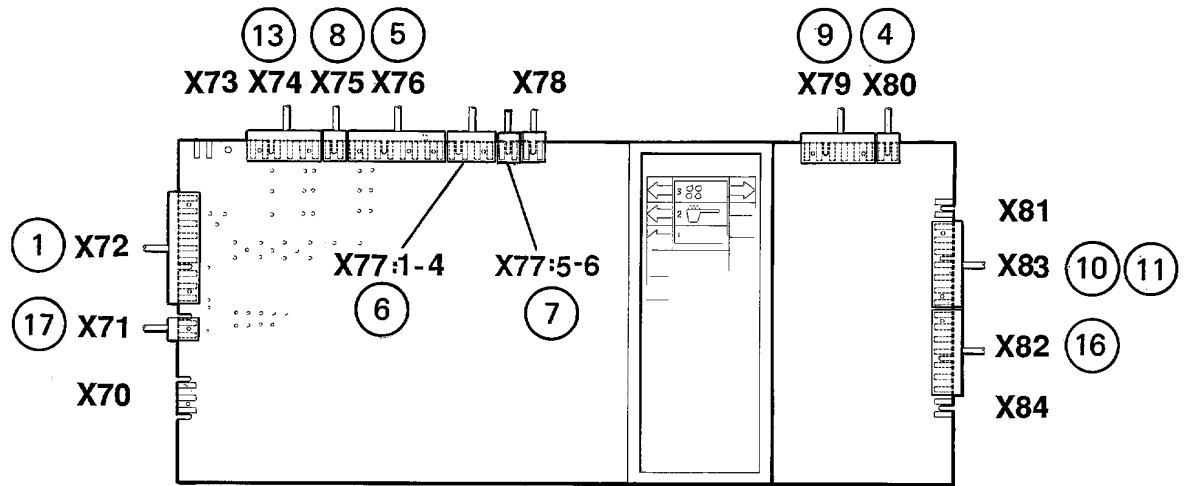
Cables P02,22

Illustration Issue Month Year
Illustration Utgåva Månad År

Kablage P02,22

101144/5 4 2 1998

Item Pos.	Qua. Ant.	Art.No Art.nr	Description	Benämning	Info Info	Notes Anmärkning
1	1	438 3089-03	Cables	Kablage	3	DOOR LOCK,X70
2	1	438 3020-50	Cables	Kablage	3	7,9KW 400V HEATING 3AC
	1	438 3020-51	Cables	Kablage	3	7,5KW 230/400V HEATING 3AC
	1	438 3020-52	Cables	Kablage	3	5,4KW 230/400V HEATING 3AC
	1	438 3020-53	Cables	Kablage	3	5,4KW 240V HEATING 1AC
	1	438 3020-54	Cables	Kablage	3	5KW 120V HEATING 1AC
3	1	438 3020-55	Cables	Kablage	3	HEATING DS
4	1	438 3021-04	Cables	Kablage	3	DS,NEUTRAL HARNESS
5	1	438 3030-30	Cables	Kablage	3	THERMOSTAT,X72
6	1	438 3086-14	Cables	Kablage	3	COLD WATER,X76
7	1	438 3084-09	Cables	Kablage	3	HOT WATER,X78
8	1	438 3082-19	Cables	Kablage	3	COLD HARD WATER,X77
9	1	438 3019-66	Cables	Kablage	3	DRAIN VALVE,WATER CONTROLLED
	1	438 3019-67	Cables	Kablage	3	DRAIN VALVE,EL. CONTROLLED
10	1	438 3086-16	Cables	Kablage	3	LEVEL CONTROL,X79
11	1	438 3019-37	Cables	Kablage	3	COIN-METER,X75
12	1	438 3019-32	Cables	Kablage	3	ESSEX COIN-METER,X71,X75
13						Not used
14	1	438 3030-41	Cables	Kablage	3	MANUAL START,X73
15	1	438 3019-07	Cables	Kablage	3	CP800
16	1	438 3019-02	Cables	Kablage	3	CP800 START,X75
17	1	438 3019-03	Cables	Kablage	3	CP800,X81
18	1	438 3019-21	Cables	Kablage	3	GROUND(GREENWALD)
19						Not used
20	1	438 3014-05	Cables	Kablage	3	MOTOR RELAY,X85
21	1	438 3010-13	Cables	Kablage	3	EXTRA CAPACITOR
22	1	438 3082-11	Cables	Kablage	3	2-POLE TRAF0 IN,X80
23	1	438 3009-11	Cables	Kablage	3	2-POLE TRAF0
24	1	438 3019-09	Cables	Kablage	3	2-POLE IN,X80
25	1	438 3086-09	Cables	Kablage	3	X76-X176,JAPAN P02J
26	1	438 3030-62	Cables	Kablage	3	COLD WATER,X276,JAPAN P02J
27	1	438 3019-49	Cables	Kablage	3	LEVEL CONTROL,X184 JAPAN P02
28	1	471 8748-01	Cables	Kablage	3	230V MOTOR PLUG
	1	471 8748-02	Cables	Kablage	3	400V MOTOR PLUG
29	1	438 3014-71	Cables	Kablage	3	MOTOR WITH START RELAY
	1	438 3014-72	Cables	Kablage	3	MOTOR 1AC
	1	438 3014-73	Cables	Kablage	3	MOTOR 3AC
30	1	471 4878-01	Cables	Kablage	3	GROUND MOTOR/FRAME
31	1	438 3089-05	Cables	Kablage	3	ROTARY SWITCH,X82-X182
32	1	438 3084-05	Cables	Kablage	3	STOP,X74-X174
33	1	438 3082-15	Cable set	Kabelsats	3	PILOT LAMP,X81
34						Not used
35	1	472 9913-43	Clamp	Bygel	3	Kit 25 pcs
36	1	438 3014-11	Cables	Kablage	3	LC-FILTER 1AC, 94/61234-
37	1	438 3014-13	Cables	Kablage	3	LC-FILTER 3AC, 94/61234-
	1	438 3014-12	Cables	Kablage	3	LC-FILTER 3AC TRAF0, 94/61234-
38	1	438 3030-62	Cables	Kablage	3	
39	1	438 3030-72	Cables	Kablage	3	



Issue	Month	Year
06	02	94

708E,1003E,W100MP -93/46072

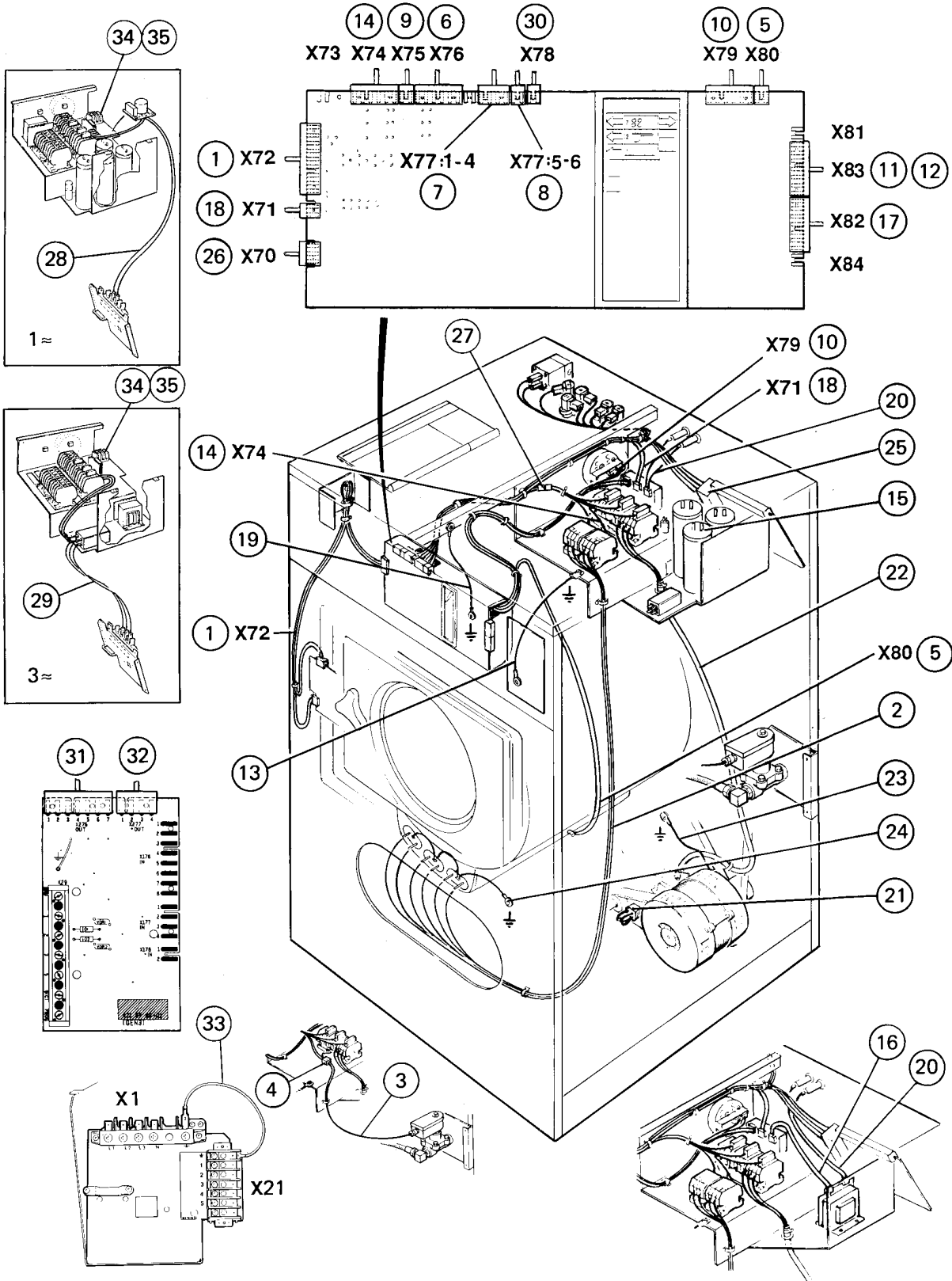
Cables

Illustration Issue Month Year
Illustration Utgåva Månad År

Kablage

100728/6 5 2 1998

Item Pos.	Qua. Ant.	Art.No Art.nr	Description	Benämning	Info Info	Notes Anmärkning
1	1	438 3030-10	Cables	Kablage	3	DOOR LOCK,X72
2	1	438 3020-30	Cables	Kablage	3	7,9KW 400V HEATING 3AC
	1	438 3020-20	Cables	Kablage	3	7,5KW 230/400V HEATING 3AC
	1	438 3020-21	Cables	Kablage	3	5,4KW 230/400V HEATING 3AC
	1	438 3020-19	Cables	Kablage	3	5,4KW 240V HEATING 1AC
	1	438 3020-18	Cables	Kablage	3	5KW 120V HEATING 1AC
3	1	438 3020-55	Cables	Kablage	3	HEATING DS
4	1	438 3082-19	Cables	Kablage	3	TEMP SENSOR,X80
5	1	438 3086-13	Cables	Kablage	3	COLD WATER,X76
6	1	438 3084-09	Cables	Kablage	3	HOT WATER,X74:1-4
7	1	438 3082-19	Cables	Kablage	3	COLD HARD WATER,X77:5-6
8	1	438 3019-65	Cables	Kablage	3	DRAIN VALVE,WATER CONTROLLED
	1	438 3019-67	Cables	Kablage	3	DRAIN VALVE,EL. CONTROLLED
9	1	438 3086-15	Cables	Kablage	3	LEVEL CONTROL,X79
10	1	438 3030-83	Cables	Kablage	3	COIN-METER,X83
11	1	438 3019-41	Cables	Kablage	3	PRICE PROGRAMMING
12	1	438 3019-21	Cables	Kablage	3	GROUND(GREENWALD)
13	1	438 3031-11	Cables	Kablage	3	MOTOR RELAY,X74
14	1	438 3010-13	Cables	Kablage	3	EXTRA CAPACITOR
15	1	438 3082-13	Cables	Kablage	3	2-pole trafo-trafo
16	1	438 3031-60	Cables	Kablage	3	TRAFO,X82
17	1	438 3082-11	Cables	Kablage	3	2-POLE TRAFO IN,X80 X71
18	1	438 3019-24	Cables	Kablage	3	GROUND,PC-BOARD
19	1	438 3031-66	Cables	Kablage	3	2-POLE TRAFO
20	1	471 8748-01	Cables	Kablage	3	230V MOTOR PLUG
	1	471 8748-02	Cables	Kablage	3	400V MOTOR PLUG
21	1	438 3011-10	Cables	Kablage	3	MOTOR WITH SINPAC 1AC
	1	438 3010-10	Cables	Kablage	3	MOTOR 1AC
	1	438 3010-30	Cables	Kablage	3	MOTOR 3AC
22	1	471 4878-01	Cables	Kablage	3	GROUND MOTOR/FRAME
23						Not used
21	1	438 3011-10	Cables	Kablage	3	MOTOR WITH START RELAY



Issue	Month	Year
06	12	97

708E,1003E,W100MP 93/46073-

Cables

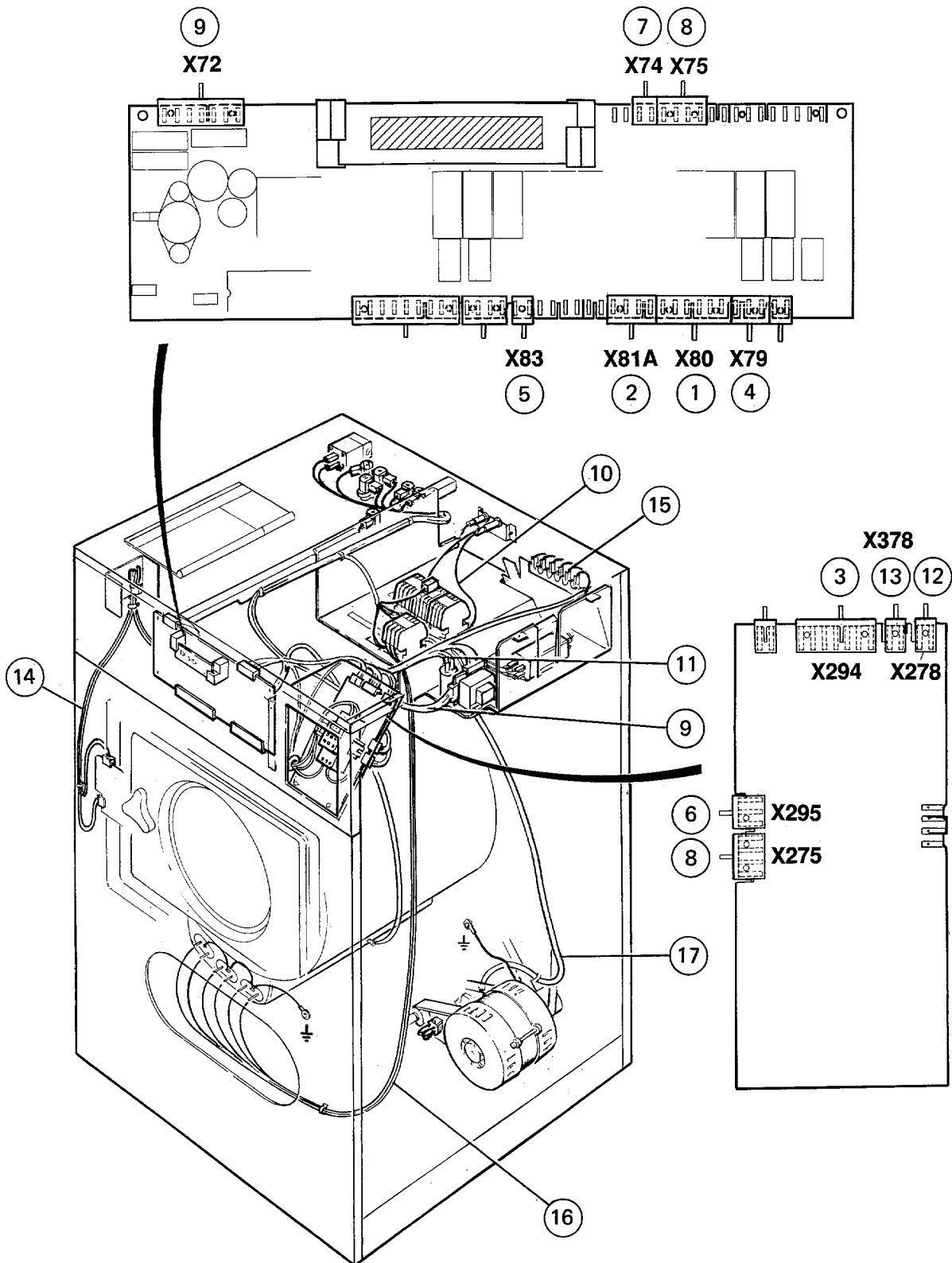
Illustration Issue Month Year

Illustration Utgåva Månad År

Kablage

101137/6 7 2 1998

Item Pos.	Qua. Ant.	Art.No Art.nr	Description	Benämning	Info Info	Notes Anmärkning
1	1	438 3087-06	Cables	Kablage	3	DOOR LOCK,X72
2	1	438 3020-50	Cables	Kablage	3	7/9KW 400V HEATING 3AC
	1	438 3020-51	Cables	Kablage	3	7,5KW 230/400V HEATING 3AC
	1	438 3020-52	Cables	Kablage	3	5,4KW 230/400V HEATING 3AC
	1	438 3020-53	Cables	Kablage	3	5,4KW 240V HEATING 1AC
	1	438 3020-54	Cables	Kablage	3	5KW 120V HEATING 1AC
3	1	438 3020-55	Cables	Kablage	3	HEATING DS
4	1	438 3021-04	Cables	Kablage	3	DS,NEUTRAL HARNESS
5	1	438 3082-19	Cables	Kablage	3	TEMP SENSOR,X80
6	1	438 3086-14	Cables	Kablage	3	COLD WATER,X76
	1	438 3088-06	Cables	Kablage	3	X76-X176, LIQUID DETERGENT
7	1	438 3084-09	Cables	Kablage	3	HOT WATER,X77:1-4
	1	438 3084-20	Cables	Kablage	3	X77-X177, LIQUID DETERGENT
8	1	438 3082-19	Cables	Kablage	3	COLD HARD WATER,X77:5-6
9	1	438 3019-66	Cables	Kablage	3	DRAIN VALVE,WATER CONTROLLED
	1	438 3019-67	Cables	Kablage	3	DRAIN VALVE,EL. CONTROLLED
10	1	438 3086-16	Cables	Kablage	3	LEVEL CONTROL,X79
11	1	438 3030-83	Cables	Kablage	3	COIN-METER,X83
12	1	438 3019-41	Cables	Kablage	3	PRICE PROGRAMMING
13	1	438 3019-21	Cables	Kablage	3	GROUND(GEEENWALD)
14	1	438 3014-07	Cables	Kablage	3	MOTOR RELAY,X74
15	1	438 3010-13	Cables	Kablage	3	EXTRA CAPACITOR
16	1	438 3082-13	Cables	Kablage	3	2-pole trafo-trafo
17	1	438 3031-60	Cables	Kablage	3	TRAFO,X82
18	1	438 3082-11	Cables	Kablage	3	2-POLE TRAFO IN,X80 X71
19	1	438 3019-24	Cables	Kablage	3	GROUND,PC-BOARD
20	1	438 3009-11	Cables	Kablage	3	2-POLE TRAFO
21	1	471 8748-01	Cables	Kablage	3	230V MOTOR PLUG
	1	471 8748-02	Cables	Kablage	3	400V MOTOR PLUG
22	1	438 3014-81	Cables	Kablage	3	MOTOR WITH START RELAY
	1	438 3014-82	Cables	Kablage	3	MOTOR 1AC
	1	438 3014-83	Cables	Kablage	3	MOTOR 3AC
23	1	471 4878-01	Cables	Kablage	3	GROUND MOTOR/FRAME
24						Not used
25	1	438 3019-80	Cables	Kablage	3	X7-X21 94/61234-
26	1	438 3019-69	Cables	Kablage	3	ADAPTER X70-X7 94/61234-
27	1	438 3019-70	Cables	Kablage	3	K4-X7 94/61234-
28	1	438 3014-11	Cables	Kablage	3	LC-FILTER 1AC, 94/61234-
29	1	438 3014-13	Cables	Kablage	3	LC-FILTER 3AC, 94/61234-
	1	438 3014-12	Cables	Kablage	3	LC-FILTER 3AC TRAFO, 94/61234-
30	1	438 3082-26	Cables	Kablage	3	X78-X178,LIQUID DETERGENT
31	1	438 3030-62	Cables	Kablage	3	X276, LIQUID DETERGENT
32	1	438 3030-72	Cables	Kablage	3	X277, LIQUID DETERGENT



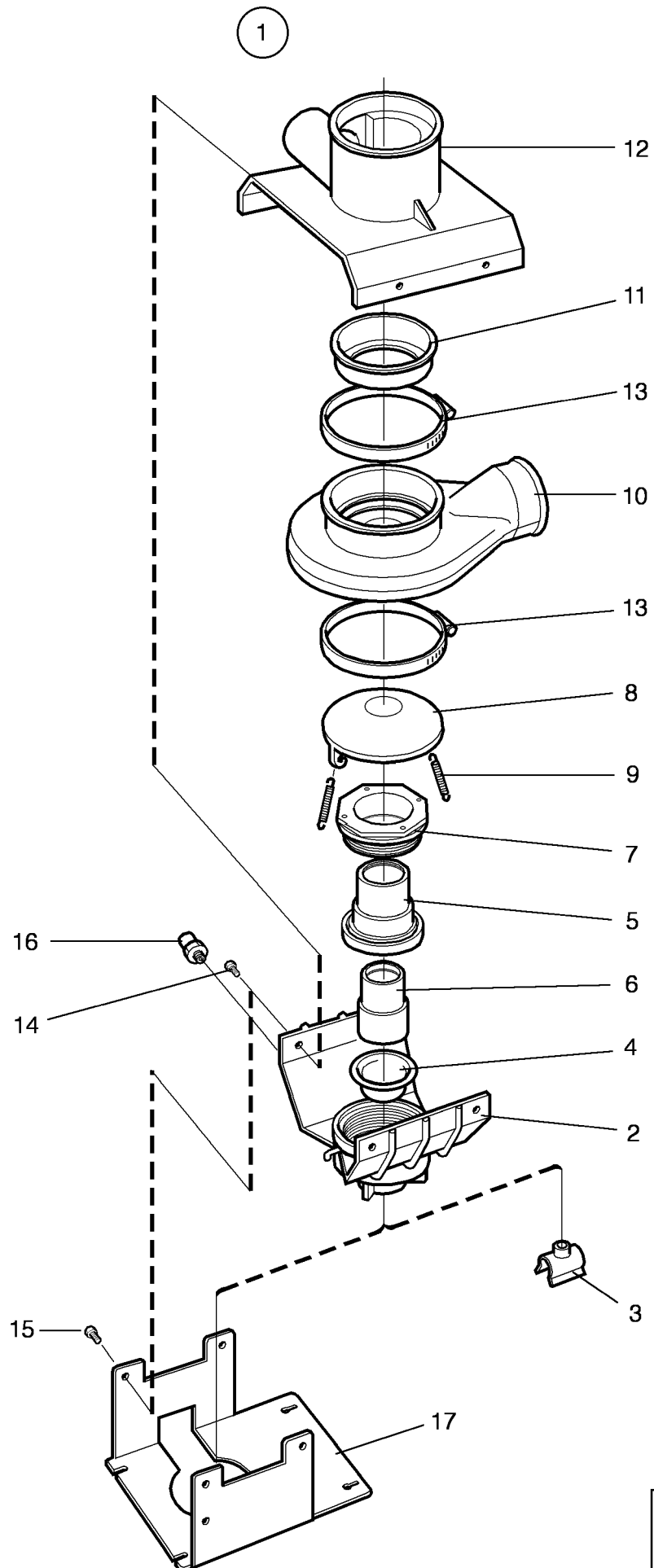
W100CC**Cables**

Illustration Issue Month Year

Illustration Utgåva Månad År

Kablage**101363/1 4 2 1998**

Item Pos.	Qua. Ant.	Art.No Art.nr	Description	Benämning	Info Info	Notes Anmärkning
1	1	438 3086-01	Cables	Kablage	3	Cold water, X80
2	1	438 3084-01	Cables	Kablage	3	HOT WATER, X81A
3	1	438 3014-08	Cables	Kablage	3	RDC-CARD-MOTOR RELAY, X294
4	1	438 5450-32	Cables	Kablage	3	DRAIN VALVE, X79
5	1	438 3082-67	Cables	Kablage	3	HEATING RELAY, X83
6	1	438 3083-07	Cables	Kablage	3	HEATING ELEMENTS, X295
7	1	438 3082-19	Cables	Kablage	3	TEMP SENSOR, X74
8	1	438 3084-12	Cables	Kablage	3	X275-X75
9	1	438 3031-60	Cables	Kablage	3	TRAFP-X72
10	1	438 3019-96	Cables	Kablage	3	FUSE-LC2
	1	438 3019-98	Cables	Kablage	3	FUSES-LC2
11	1	438 3019-95	Cables	Kablage	3	
12	1	438 3082-13	Cables	Kablage	3	2-pole trafo-trafo TRAF0-RDC, X278
13	1	438 3082-13	Cables	Kablage	3	2-pole trafo-trafo X378-X78
14	1	438 3089-55	Cables	Kablage	3	Door lock, X71
15	1	438 3014-13	Cables	Kablage	3	
16	1	438 3020-50	Cables	Kablage	3	7/9KW 400V Heating
17	1	438 3014-83	Cables	Kablage	3	Motor
18	1	438 3014-18	Cables	Kablage	3	MOTOR JUMPOVER,(NOT SHOWN)



708,708E,1003,1003E,W100,W100CC,W100MP

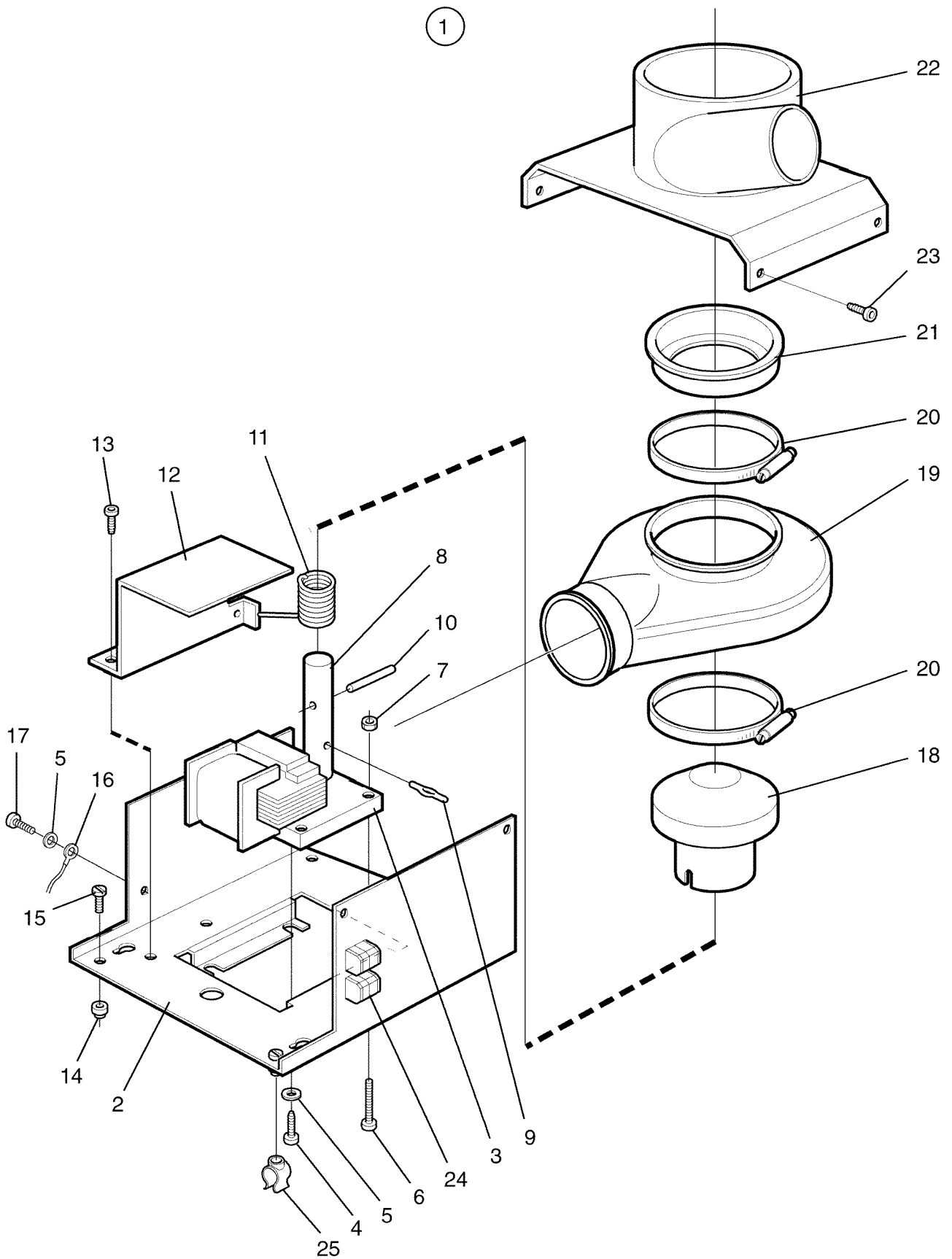
Drain valve

Avloppsventil

Illustration Issue Month Year
Illustration Utgåva Månad År
100771/3 14 11 2008

Item Pos.	Qua. Ant.	Art.No Art.nr	Description	Benämning	Info Info	Notes Anmärkning
1	1	438 0093-01	Drain valve	Avloppsventil	1,2	Complete
	1	438 0093-03	Drain valve	Avloppsventil	1,2	Complete, pump
	1	438 0093-05	Drain valve	Avloppsventil	1,2	Complete Without spring
2	1	438 0051-01	•Lower frame	•Underdel	3	
3	1	438 0085-01	•Clip	•Clips	3	
4	1	471 8195-01	•Diaphragm	•Membran	1	
5	1	438 0053-01	•Housing	•Hus	3	
6	1	438 0054-01	•Piston	•Kolv	3	
7	1	438 0055-01	•Gland	•Gland	3	
8	1	438 0052-01	•Cover	•Lock	3	
9	2	471 7818-01	•Spring	•Fjäder	3	Not in 438 00 93-05
10	1	438 0028-01	•Hose housing	•Slanghus	1	
11	1	472 6012-00	•Rubber ring	•Manschett	3	
12	1	472 6011-00	•Hose connection	•Slanganslutning	3	
13	1	471 7851-02	•Hose clamp	•Slangklämma	3	
14	4	471 8317-05	•Screw	•Skruv	3	
16	1	471 8688-13	•Nipple	•Nippel	3	1/8"

1



Issue	Month	Year
03	03	06

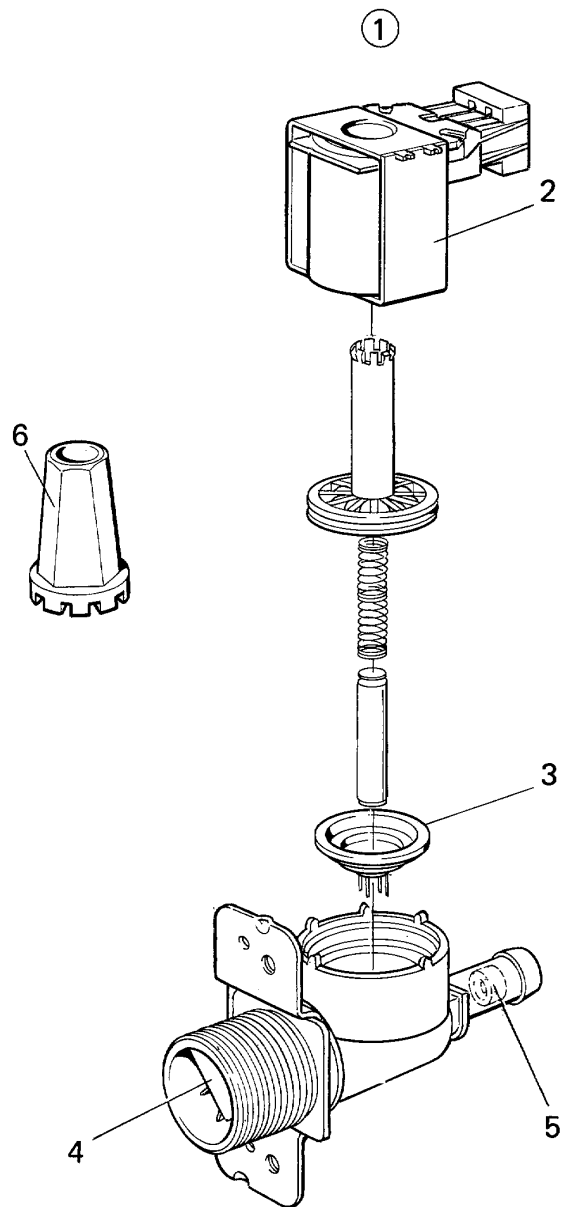
708,708E,1003,1003E,W100,W100CC,W100MP

Drain valve

Avloppsventil

Illustration Issue Month Year
Illustration Utgåva Månad År
101143/2 6 10 2002

Item Pos.	Qua. Ant.	Art.No Art.nr	Description	Benämning	Info Info	Notes Anmärkning
1	1	472 8754-10	Drain valve	Avloppsventil	1	230V
	1	472 8754-11	Drain valve	Avloppsventil	1	100V 50Hz,120V 60Hz
2	1	438 4060-01	•Bracket	•Konsol	3	
3	1	471 9727-01	•Motor	•Motor	1,2	220V 50/60Hz
	1	471 9727-02	•Motor	•Motor	1,2	120V
4	3	471 8341-22	•Screw	•Skruv	3	MRT 5X8
5	3	735 2146-01	•Washer	•Bricka	3	M5
6	1	471 8341-19	•Screw	•Skruv	3	M4X40
7	1	731 2312-01	•Nut	•Mutter	3	M4
8	1	472 6016-00	•Piston	•Kolvstång	1	
9	1	721 1252-35	•Pin	•Pinne	3	4X12
10	1	472 6017-00	•Shaft	•Axel	3	
11	1	471 7804-01	•Torsion spring	•Vridfjäder	1,2	
12	1	472 6195-01	•Cover	•Skydd	3	
13	2	471 8340-12	•Screw	•Skruv	3	RTS 3,5X9,5
14	4	438 4058-02	•Bracket	•Hållare	3	
15	4	471 8346-05	•Screw	•Skruv	3	
16	1	438 3019-21	•Cables	•Kablage	3	
17	2	471 8340-32	•Screw	•Skruv	3	
18	1	472 6015-00	•Piston	•Kolv	3	
19	1	438 0028-01	•Hose housing	•Slanghus	1,2	
20	2	736 2849-51	•Hose clamp	•Slangklämma	3	Ø77-93
21	1	472 6012-00	•Rubber ring	•Manschett	1,2	
22	1	472 6011-00	•Hose connection	•Slanganslutning	3	
23	4	471 8346-05	•Screw	•Skruv	3	
24	2	762 3131-01	•Insulator	•Isolator	3	
25	1	438 0085-01	Clip	Clips	1	



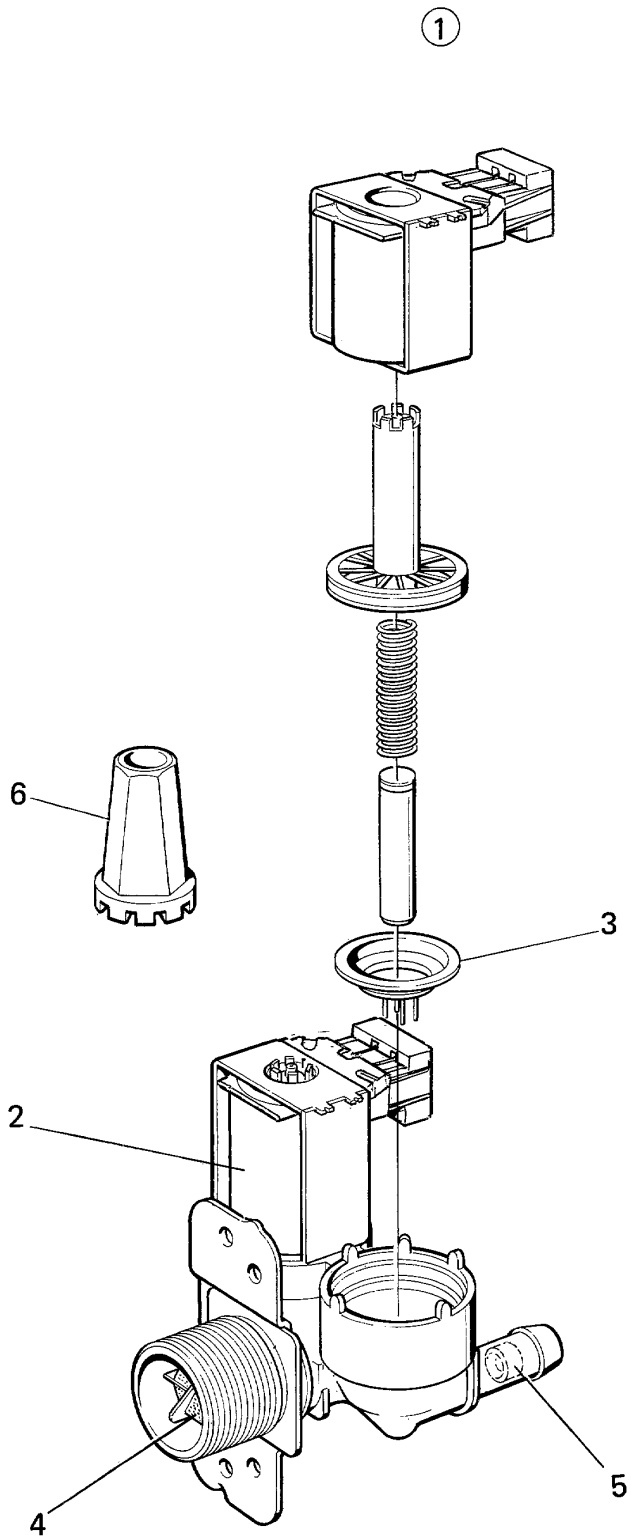
708,708E,1003,1003E,W100,W100CC,W100MP

Inlet valve 3/4", 1-way

Tilloppsventil 3/4",1-vägs

Illustration	Issue	Month	Year
Illustration	Utgåva	Månad	År
100799/1	5	10	2002

Item Pos.	Qua. Ant.	Art.No Art.nr	Description	Benämning	Info Info	Notes Anmärkning
1	1	471 8234-51	Valve	Ventil	1,2	208-240V Restriction 5,5l/min
	1	471 8234-52	Valve	Ventil	1,2	50Hz/60Hz
	1	471 8234-53	Valve	Ventil	1,2	120V 60Hz
	1	471 8234-56	Valve	Ventil	1,2	208-240V Restriction 10l/min
2	1	471 8234-58	Valve	Ventil	1,2	208-240V
	1	471 6860-15	•Coil	•Spole	1,2	120V Green
	1	471 6860-16	•Coil	•Spole	1,2	120V Orange
	1	471 6860-17	•Coil	•Spole	1,2	120V White
	1	471 6860-18	•Coil	•Spole	1,2	208-240V Green
	1	471 6860-19	•Coil	•Spole	1,2	208-240V Orange
3	1	471 6860-20	•Coil	•Spole	1,2	208-240V White
	1	471 8234-98	•Diaphragm	•Membran	1,2	NITRIL
	1	471 8234-92	•Diaphragm	•Membran	1,2	EPDM
4	1	471 8234-94	•Filter	•Filter	1	
5	1	471 8234-95	•Restrictor	•Strypbricka	3	2,5l/min
	1	471 8234-96	•Restrictor	•Strypbricka	3	5,5l/min
6	1	471 4792-01	Tool	Verktyg	3	



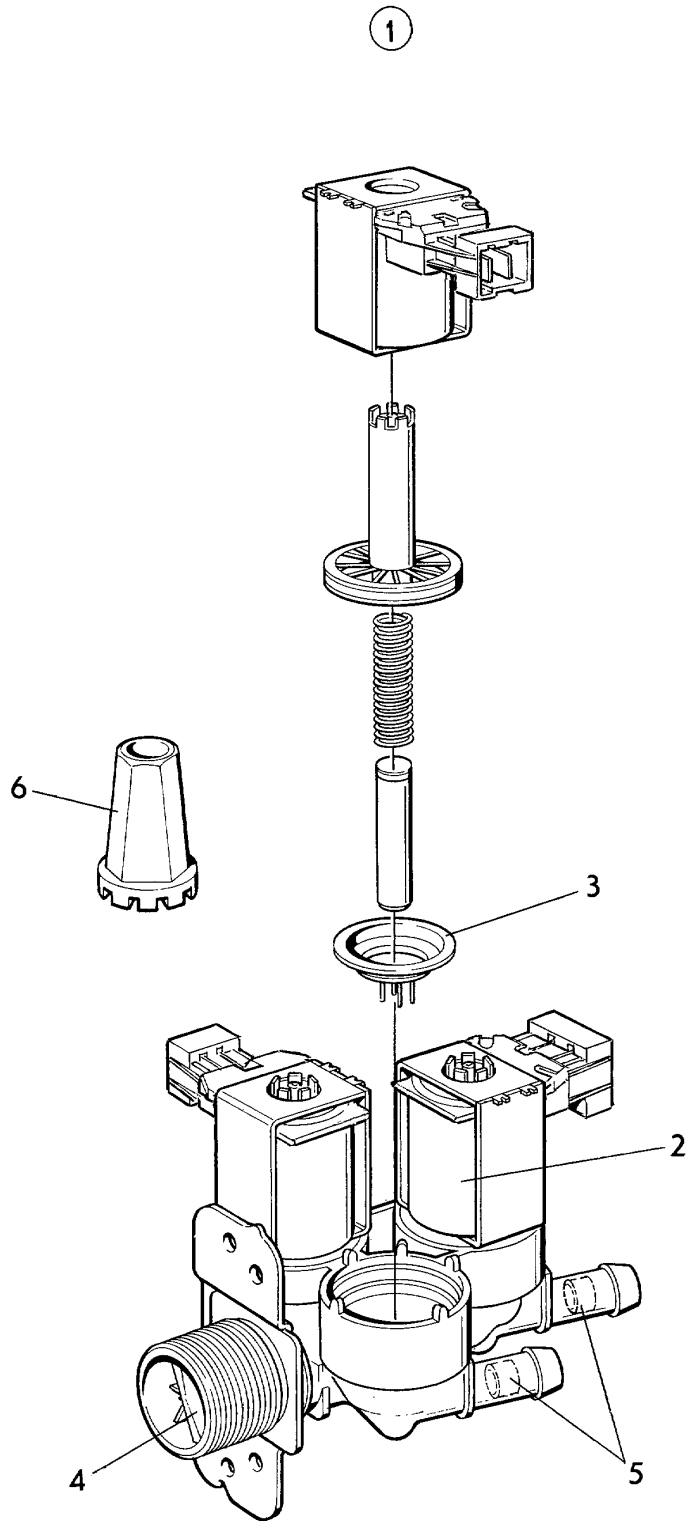
708,708E,1003,1003E,W100,W100CC,W100MP

Inlet valve 3/4", 2-way

Tilloppsventil 3/4",2-vägs

Illustration Issue Month Year
Illustration Utgåva Månad År
100798/1 6 10 2002

Item Pos.	Qua. Ant.	Art.No Art.nr	Description	Benämning	Info Info	Notes Anmärkning	
1	1	471 8235-51	Valve	Ventil	1,2	2-way, 208-240V 50/60Hz, BSP	
	1	471 8235-54	Valve	Ventil	1,2	2-way, 208-240V 60Hz, NH USA USA	
	1	471 8235-57	Valve	Ventil	1,2	2-way, 120V 60Hz, NH USA USA	
	1	471 8235-59	Valve	Ventil	1,2	2-way, 208-240V 50/60Hz, NH USA USA	
	1	471 8235-58	Valve	Ventil	1,2	2-way, 208-240V 50/60Hz, BSP	
	1	471 8235-60	Valve	Ventil	1,2	2-way, 208-240V 50/60Hz, BSP	
	1	471 8235-62	Valve	Ventil	1,2	2-way, 208-240V 50/60Hz, BSP	
	2	1	471 6860-15	•Coil	•Spole	1,2	120V Green
		1	471 6860-16	•Coil	•Spole	1,2	120V Orange
		1	471 6860-17	•Coil	•Spole	1,2	120V White
1		471 6860-18	•Coil	•Spole	1,2	208-240V Green	
1		471 6860-19	•Coil	•Spole	1,2	208-240V Orange	
3	1	471 6860-20	•Coil	•Spole	1,2	208-240V White	
	1	471 8234-98	•Diaphragm	•Membran	1,2	NITRIL	
4	1	471 8234-92	•Diaphragm	•Membran	1,2	EPDM	
	1	471 8234-94	•Filter	•Filter	1		
5	1	471 8234-95	•Restrictor	•Strypbricka	3	2,5l/min	
	1	471 8234-96	•Restrictor	•Strypbricka	3	5,5l/min	
6	1	471 4792-01	Tool	Verktyg	3		



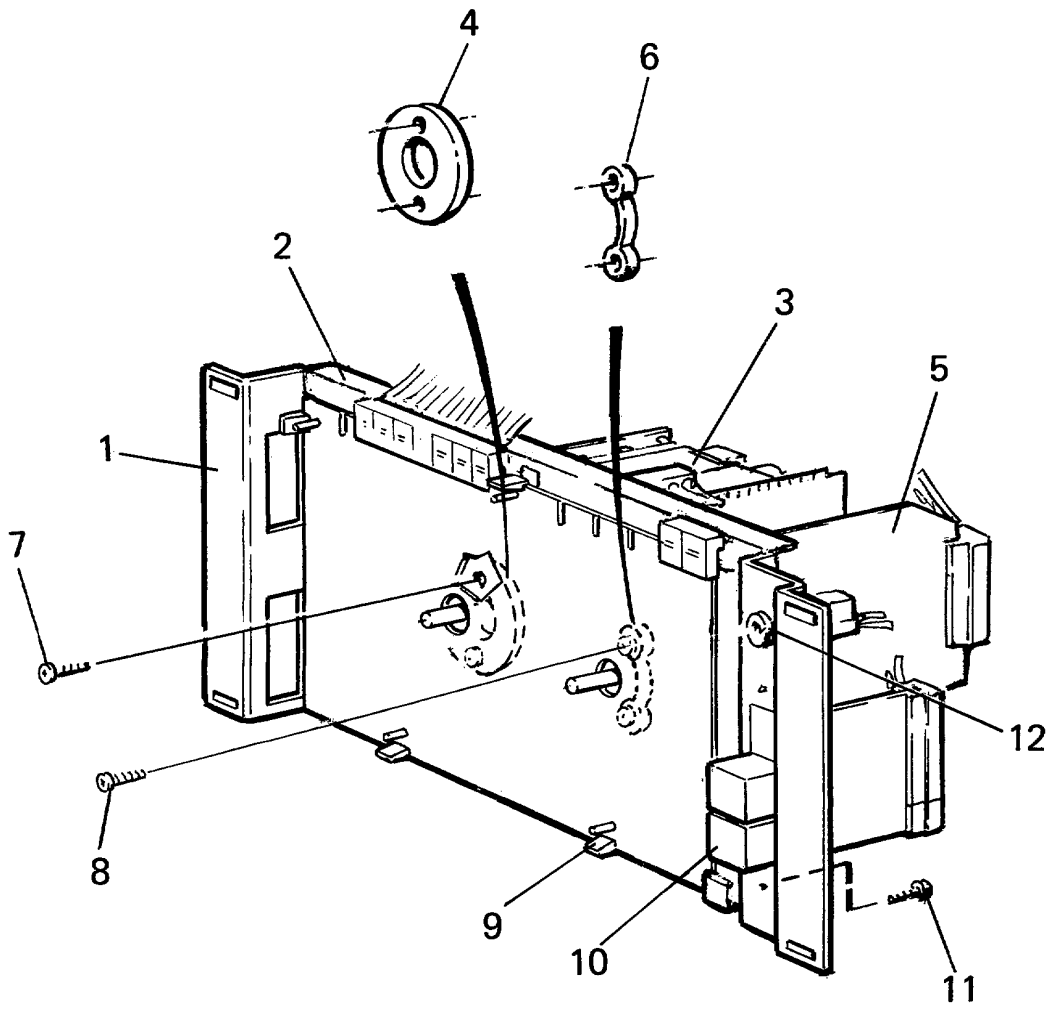
708,708E,1003,1003E,W100,W100CC,W100MP

Inlet valve 3/4", 3-way

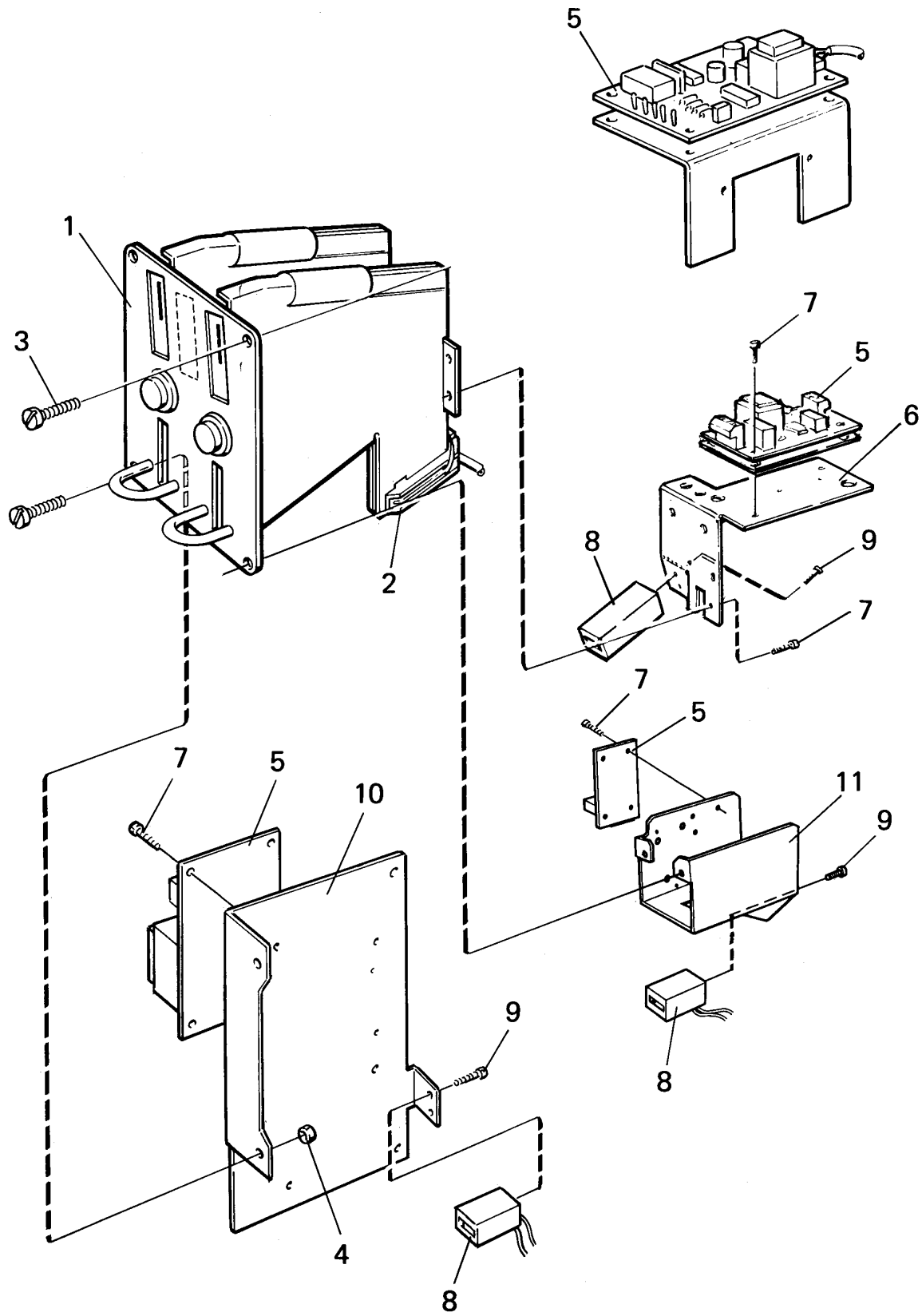
Tilloppsventil 3/4",3-vägs

Illustration Issue Month Year
Illustration Utgåva Månad År
100797/1 7 10 2002

Item Pos.	Qua. Ant.	Art.No Art.nr	Description	Benämning	Info Info	Notes Anmärkning
1	1	471 8236-52	Valve	Ventil	1,2	3-way, 208-240V 50/60Hz, BSP Restriction 5,5/-/1/min
	1	471 8236-56	Valve	Ventil	1,2	3-way, 208-240V 50/60Hz, BSP
	1	471 8236-60	Valve	Ventil	1,2	3-way, 208-240V 50/60Hz, BSP Restriction 5,5/10/10 l/min
	1	471 8236-62	Valve	Ventil	1,2	3-way, 208-240V 50/60Hz, BSP Restriction 5,5/8/8 l/min
	1	471 8236-64	Valve	Ventil	1,2	3-way, 208-240V 50/60Hz, BSP Restriction -/5,5 l/min
	1	471 8236-57	Valve	Ventil	1,2	3-way, 208-240V 50/60Hz, BSP
	1	471 8236-68	Valve	Ventil	1,2	3-way, 208-240V 50/60Hz, BSP IN 20L/MIN,OUT 2,5L/MIN
	1	471 8236-66	Valve	Ventil	1,2	3-way, 120V 60Hz, NH USA
	1	471 8236-65	Valve	Ventil	1,2	3-way, 208-240V 50/60Hz, NH USA
	2	1	471 6860-15	•Coil	•Spole	1,2
1		471 6860-16	•Coil	•Spole	1,2	120V Orange
1		471 6860-17	•Coil	•Spole	1,2	120V White
1		471 6860-18	•Coil	•Spole	1,2	208-240V Green
1		471 6860-19	•Coil	•Spole	1,2	208-240V Orange
1		471 6860-20	•Coil	•Spole	1,2	208-240V White
3	1	471 8234-98	•Diaphragm	•Membran	1,2	NITRIL
	1	471 8234-92	•Diaphragm	•Membran	1,2	EPDM USA
4	1	471 8234-94	•Filter	•Filter	1	
5	1	471 8234-95	•Restrictor	•Strypbricka	3	2,5l/min
	1	471 8234-96	•Restrictor	•Strypbricka	3	5,5l/min
6	1	471 4792-01	Tool	Verktyg	3	



708,1003,W100					Illustration	Issue	Month	Year
Program unit					Illustration	Utgåva	Månad	År
Programenhet					100847/2	12	3	2009
Item Pos.	Qua. Ant.	Art.No Art.nr	Description	Benämning	Info Info	Notes Anmärkning		
1	1	438 0180-02	Mounting plate	Monteringsplåt	3			
2	1	438 3050-01	Printed circuit board	Kretskort	1	P01		
	1	438 3050-11	Printed circuit board	Kretskort	1,2	P11		
	1	438 3050-21	Printed circuit board	Kretskort	1	P21		
	1	438 3050-31	Printed circuit board	Kretskort	1	P31		
	1	438 3060-02	Printed circuit board	Kretskort	1	P02		
	1	438 3065-02	Printed circuit board	Kretskort	1	P02 G		
	1	438 3060-03	Printed circuit board	Kretskort	1	P02 D		
	1	438 3060-04	Printed circuit board	Kretskort	1	P02J		
3	1	471 8979-01	Timer	Timer	1,2	220V 50Hz P1		
	1	471 8979-02	Timer	Timer	1,2	220V 60Hz P1		
	1	471 8981-03	Timer	Timer	1,2	220V 50Hz P2		
	1	471 8981-04	Timer	Timer	1,2	220V 60Hz P2		
	1	438 3018-11	Programmer	Programverk	1,2	120V P3,120V,W75/100 -93/46072		
	1	438 3018-12	Programmer	Programverk	1,2	220V P3,220V, W75/100 -93/46072 W160, -93/12079 W230, -93/5065		
	1	471 8978-18	Programmer	Programverk	1,2	120V P3, W 75/100		
	1	471 8978-19	Programmer	Programverk	1,2	220V P3, W 75/100 W160, 93/12080-96/28846 W230, 93/5066-96/14109		
	1	471 8981-05	Programmer	Programverk	1,2	120V 60Hz P2		
	1	471 8978-21	Programmer	Programverk	1,2	120V 60Hz P3, W 75/100 96/76052-		
	1	471 8978-22	Programmer	Programverk	1,2	220V 60Hz P3, W 75/100 96/76054- W160, 96/28847- W230, 96/14110-		
4	1	438 0154-01	Spacer	Distans	3	W 75/100, -91/26422 W160, -91/3640		
5	1	471 9641-11	Rotary switch	Vridomkopplare	1,2			
	1	471 9643-01	Rotary switch	Vridomkopplare	1,2	P3		
	1	471 9643-12	Rotary switch	Vridomkopplare	1,2	P03,P04		
	1	471 9647-11	Rotary switch	Vridomkopplare	1,2	P02		
	1	471 9647-12	Rotary switch	Vridomkopplare	1,2	P02G		
	1	471 9643-22	Rotary switch	Vridomkopplare	1,2	Powder 96/76054- W160, 96/28847-		
	1	471 9643-24	Rotary switch	Vridomkopplare	1,2	Powder P3		
	1	471 9643-23	Rotary switch	Vridomkopplare	1,2	Liquid P3 96/76054- W160, 96/28847- W230, 96/14110-		
6	1	471 5080-02	Spacer	Distans	3			
7	2	471 8341-15	Screw	Skruv	3	MRT 4X16 W75/100 91/26423- W160, 91/3641-		
8	2	471 8341-15	Screw	Skruv	3	MRT 4X16		
9	4	471 7958-01	Support	Stöd	3			
10	1	471 9642-03	Pushbutton unit	Tryckknappsenhet	1,2	3-button		
	1	472 9928-01	Conversion kit	Ombyggnadssats	1,2	2-button 3-BUTTONS		
	1	471 9642-02	Pushbutton unit	Tryckknappsenhet	1,2	1-BUTTON, EMERGENCY		
11	2	471 8342-13	Screw	Skruv	3	MRT-TT 4X10		
12	1	471 8164-00	Grommet	Genomföring	3	D7		



708,708E,1003,1003E,W100,W100MP

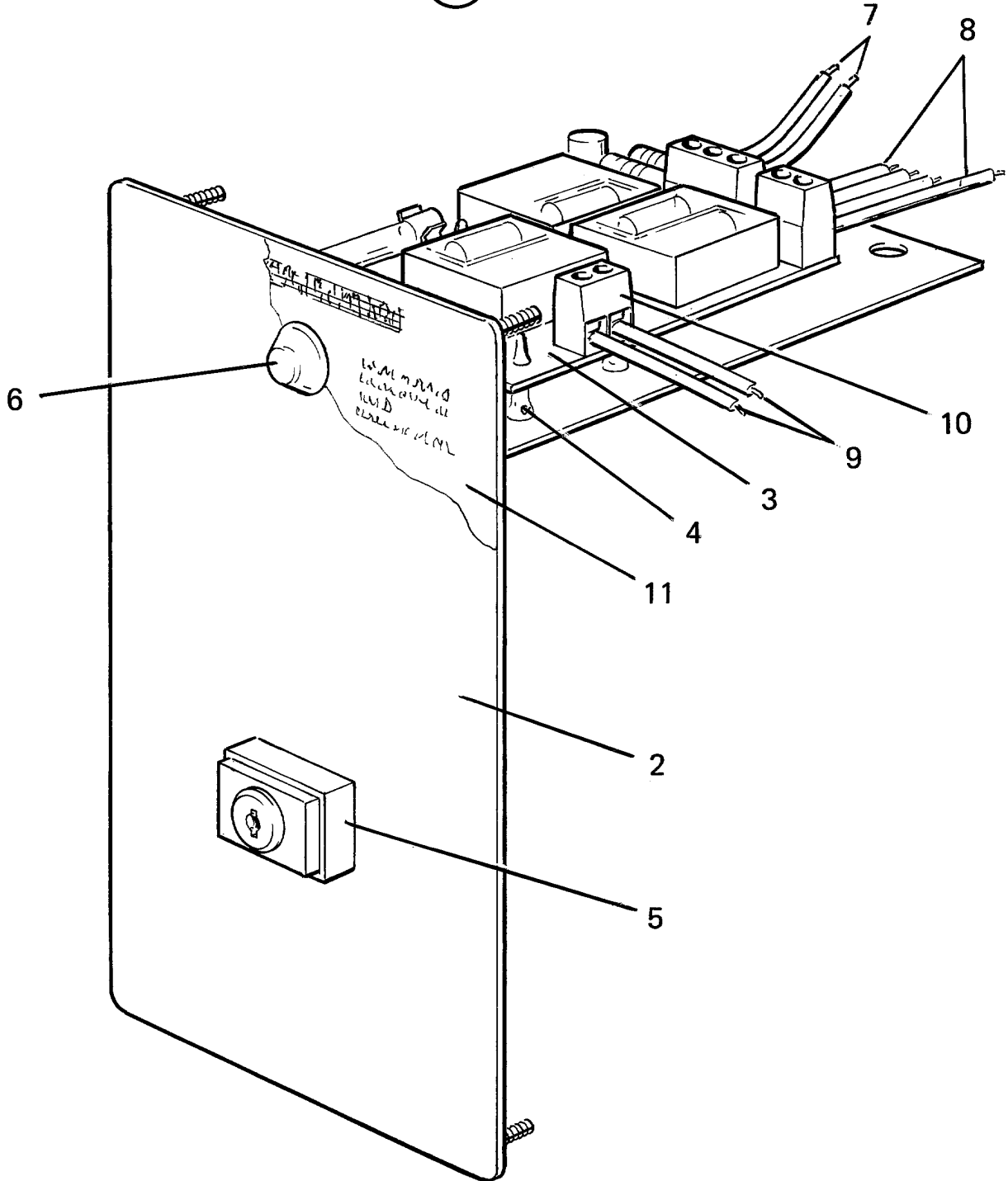
Electronic coin meter with slot locking device

Elektronisk myntmätare med myntspärr

Illustration Issue Month Year
Illustration Utgåva Månad År
100824/3 13 10 2002

Item Pos.	Qua. Ant.	Art.No Art.nr	Description	Benämning	Info Info	Notes Anmärkning
1	1	471 8916-02	Coin meter	Myntmätare	3	TOKEN Ø23,5X1,7
	1	471 8916-14	Coin meter	Myntmätare	3	TOKEN Ø22,0X1,5
	1	471 8916-03	Coin meter	Myntmätare	3	TOKEN Ø24,3X1,5
	1	471 8916-16	Coin meter	Myntmätare	3	TOKEN Ø19,0X1,0
	1	471 8916-06	Coin meter	Myntmätare	3	TOKEN Ø23,7X1,6
	1	471 8916-12	Coin meter	Myntmätare	3	TOKEN Ø22,5X1,5
	1	471 8916-09	Coin meter	Myntmätare	3	TOKEN Ø25X2 MÜLLER
	1	471 8916-13	Coin meter	Myntmätare	3	TOKEN Ø28,8X1,9
	1	471 8916-17	Coin meter	Myntmätare	3	TOKEN Ø22,35X1,6
	1	471 8916-23	Coin meter	Myntmätare	3	TOKEN Ø22,0X1,8 SAB
	1	471 8916-24	Coin meter	Myntmätare	3	TOKEN Ø25,8X1,7 NYBORO II
	1	471 8916-25	Coin meter	Myntmätare	3	TOKEN Ø26,0X2,1 AEG 1
	1	471 8916-01	Coin meter	Myntmätare	3	1 COIN, 1 SEK/NKR
	1	471 8916-18	Coin meter	Myntmätare	1	1 COIN, 10TWD
	1	471 8916-10	Coin meter	Myntmätare	3	1 COIN, 50 CENT SINGAPORE
	1	471 8916-21	Coin meter	Myntmätare	3	1 COIN, 5 SEK
	1	471 8916-26	Coin meter	Myntmätare	3	1 COIN, 100 YEN
	1	471 8916-30	Coin meter	Myntmätare	3	1 COIN, 25 CENT USA
	1	471 8916-42	Coin meter	Myntmätare	3	1 COIN, 50 CENT MALAYSIA
	1	471 8916-04	Coin meter	Myntmätare	3	2 COINS, 10+50 NEW PENCE GB
1	471 8916-34	Coin meter	Myntmätare	3	2 COINS 10+50 OLD PENCE GB	
1	471 8916-05	Coin meter	Myntmätare	3	2 COINS, 1+5 DKR	
1	471 8916-44	Coin meter	Myntmätare	3	2 COINS, 0,5+1 POUND GB	
1	471 8916-08	Coin meter	Myntmätare	3	2 COINS, 20+50 NEW PENCE GB	
1	471 8916-22	Coin meter	Myntmätare	3	2 COINS, 1+10 DKR	
1	471 8916-19	Coin meter	Myntmätare	3	2 COINS, 20 PENCE+1 POUND GB	
1	471 8916-20	Coin meter	Myntmätare	3	2 COINS, 1+5 NKR	
1	471 8916-31	Coin meter	Myntmätare	3	1 HKD	
2	2	471 8910-91	Sensor	Avkännare	1,2	
3	4	471 8910-90	Screw	Skruv	3	
4	4	731 2312-01	Nut	Mutter	3	M4
5	1	471 8966-11	Counter	Räkneenhet	1	1 Coin
	1	471 8966-13	Counter	Räkneenhet	1	120V ET-1311, 1 COIN
	1	471 8966-14	Counter	Räkneenhet	1	120V ET-1312, 2 COINS
	1	471 8966-15	Counter	Räkneenhet	1	220V ET-1312/2, 2 COINS
	1	471 8966-16	Counter	Räkneenhet	1	120V ET-1312/2, 2 COINS
	1	471 8966-17	Counter	Räkneenhet	1	220V ET-1312/3, 2 COINS
6	1	438 0286-01	Bracket	Konsol	3	
7	3	471 8342-04	Screw	Skruv	3	MRT-TT 3X12
8	1	472 7744-01	Coin counter	Mynträknare	1,2	220V
9	2	724 1218-01	Screw	Skruv	3	MRX 3X4
10	1	438 0484-01	Bracket	Konsol	3	W75,100
11	1	472 8895-01	Bracket	Konsol	3	W160,230

1



Issue	Month	Year
01	11	93

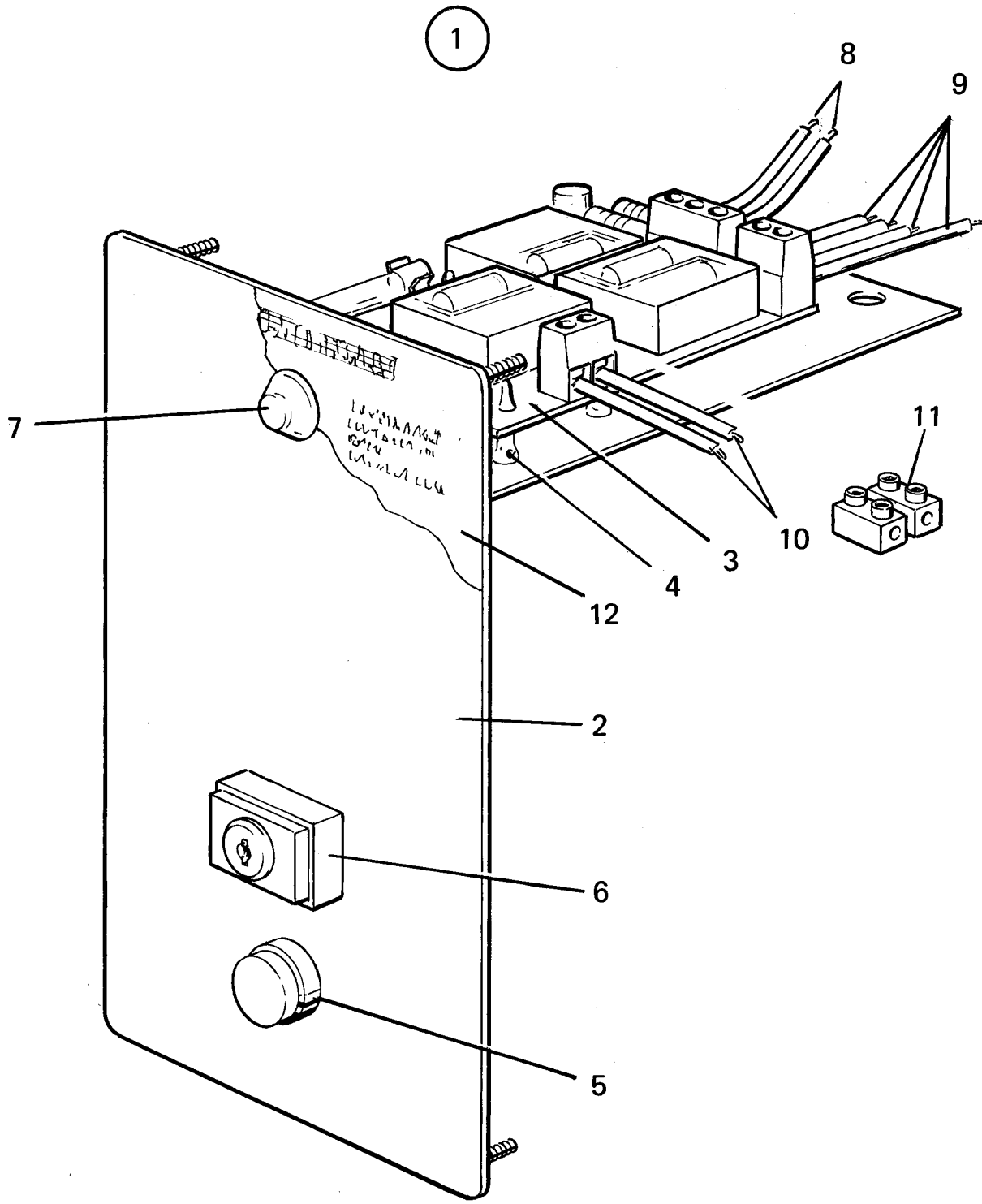
708,1003,W100

Control unit P1

Styrenhet P1

Illustration	Issue	Month	Year
Illustration	Utgåva	Månad	År
101152/1	4	10	2002

Item Pos.	Qua. Ant.	Art.No Art.nr	Description	Benämning	Info Info	Notes Anmärkning
1	1	438 0175-30	Control unit	Styrenhet	3	
2	1	438 0333-33	•Cover	•Lock	3	
3	1	471 4731-12	•Printed circuit board	•Kretskort	1	
4	4	471 7958-01	•Support	•Stöd	3	
5	1	471 9677-01	•Key switch	•Nyckelbrytare	1	Complete
6	1	763 1802-01	•Glass	•Glas	1	Red
7	1	438 3019-03	•Cables	•Kablage	3	
8	1	438 3019-01	•Cables	•Kablage	3	
9	1	438 3019-07	•Cables	•Kablage	3	
10	1	762 7202-57	•Terminal connection	•Kopplingsplint	3	2-pole
11	1	472 6744-01	Sign	Skylt	3	Swedish
	1	472 6744-02	Sign	Skylt	3	Danish
	1	472 6744-03	Sign	Skylt	3	English
	1	472 6744-04	Sign	Skylt	3	French
	1	472 6744-05	Sign	Skylt	3	German
	1	472 6744-06	Sign	Skylt	3	Finnish
	1	472 6744-08	Sign	Skylt	3	Dutch
	1	472 6744-11	Sign	Skylt	3	Polish



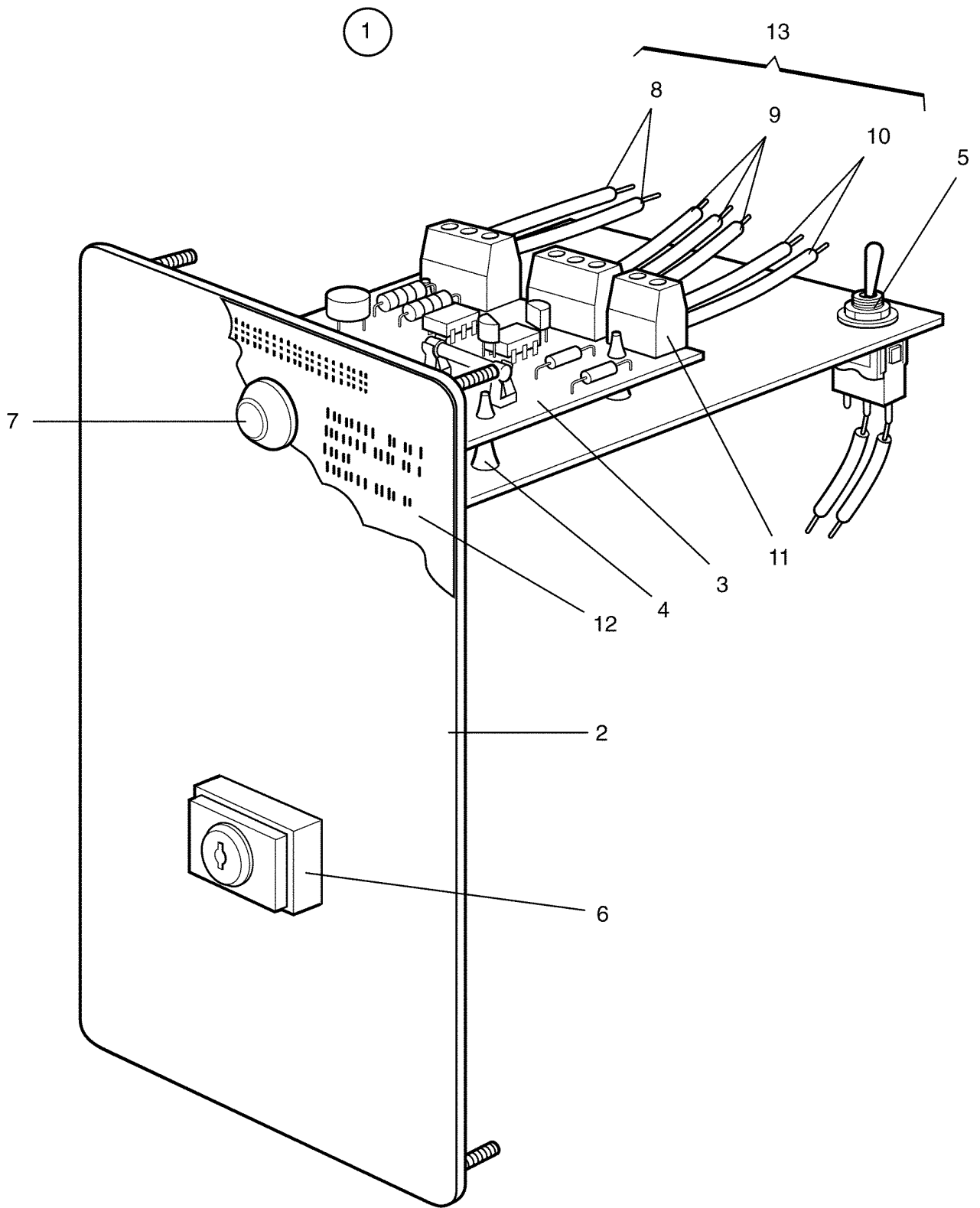
708,1003,W100

Control unit P2

Styrenhet P2

Illustration Issue Month Year
Illustration Utgåva Månad År
101151/2 5 10 2002

Item Pos.	Qua. Ant.	Art.No Art.nr	Description	Benämning	Info Info	Notes Anmärkning
1	1	438 0175-20	Control unit	Styrenhet	3	
2	1	438 0333-33	•Cover	•Lock	3	
3	1	471 4731-12	•Printed circuit board	•Kretskort	1	
4	4	471 7958-01	•Support	•Stöd	3	
5	1	487 9990-06	•Pushbutton	•Tryckknapp	1	
6	1	471 9677-01	•Key switch	•Nyckelbrytare	1	Complete
7	1	763 1802-01	•Glass	•Glas	1	Red
8	1	438 3019-03	•Cables	•Kablage	3	
9	1	438 3019-02	•Cables	•Kablage	3	
10	1	438 3019-07	•Cables	•Kablage	3	
11	1	762 7202-55	•Terminal connection	•Kopplingsplint	3	2-pole
12	1	472 6745-05	Sign	Skylt	3	German



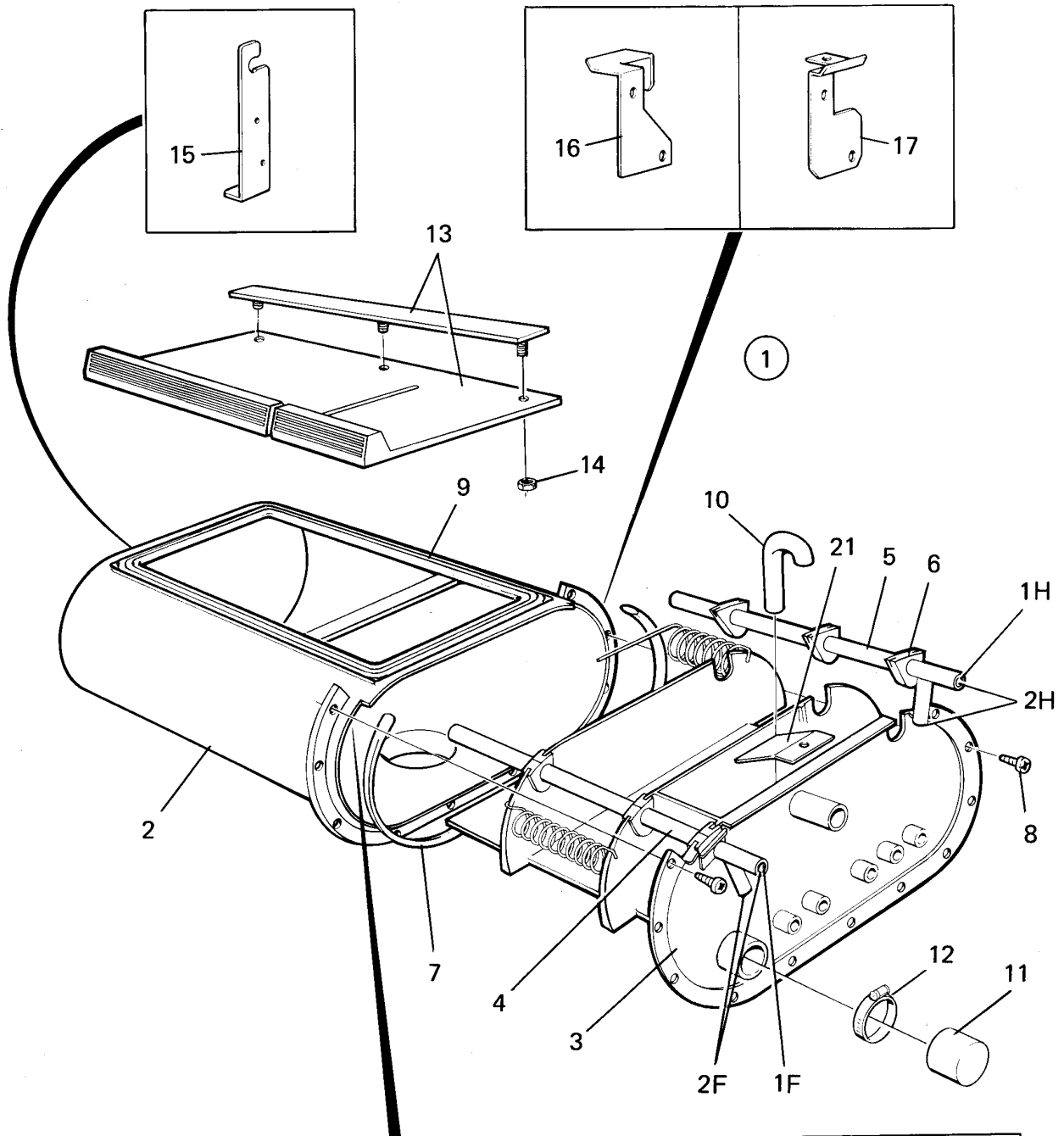
708E,1003E,W100MP

Control unit

Styrenhet

Illustration Issue Month Year
Illustration Utgåva Månad År
101150/2 6 7 2005

Item Pos.	Qua. Ant.	Art.No Art.nr	Description	Benämning	Info Info	Notes Anmärkning
1	1	438 0175-10	Conversion kit	Ombyggnadssats	3	
2	1	438 0333-33	•Cover	•Lock	3	
3	1	471 4731-02	•Printed circuit board	•Kretskort	1	
4	4	471 7958-01	•Support	•Stöd	3	
5	1	471 9629-02	•Switch	•Brytare	1	
6	1	471 9677-01	•Key switch	•Nyckelbrytare	1	Complete
7	1	763 1802-01	•Glass	•Glas	1	Red
8	1	438 3031-80	•Cables	•Kablage	3	
9	1	438 3019-42	•Cables	•Kablage	3	
10	1	438 3019-07	•Cables	•Kablage	3	
11	1	762 7202-57	•Terminal connection	•Kopplingsplint	3	2-pole
12						



708,708E,1003,1003E,W100,W100CC,W100MP

Detergent container

Tvättmedelsbehållare

Illustration Issue Month Year
Illustration Utgåva Månad År
101366/2 4 1 2003

Item Pos.	Qua. Ant.	Art.No Art.nr	Description	Benämning	Info Info	Notes Anmärkning
1	1	472 6001-58	Detergent container	Tvättmedelsbehållare	1,2	1F-1H
	1	472 6001-59	Detergent container	Tvättmedelsbehållare	1,2	1F-2H
	1	472 6001-60	Detergent container	Tvättmedelsbehållare	1,2	2F-1H
	1	472 6001-62	Detergent container	Tvättmedelsbehållare	1,2	1F-2H Without insertion USA
	1	472 6001-64	Detergent container	Tvättmedelsbehållare	1,2	1F-2H With insertion USA
	1	472 6001-68	Detergent container	Tvättmedelsbehållare	1,2	1F-2H With insertion CSA
	1	472 6001-73	Detergent container	Tvättmedelsbehållare	1,2	1F-1H With insertion USA
	1	472 6001-75	Detergent container	Tvättmedelsbehållare	1,2	2F-2H With insertion USA
	1	472 6001-76	Detergent container	Tvättmedelsbehållare	1,2	2F-2H With insertion CSA
	1	472 6001-77	Detergent container	Tvättmedelsbehållare	1,2	1F-1H With nipples
	1	472 6001-78	Detergent container	Tvättmedelsbehållare	1,2	1F-2H With nipples
	1	472 6001-79	Detergent container	Tvättmedelsbehållare	1,2	1F-2H With nipples USA
	1	472 6001-80	Detergent container	Tvättmedelsbehållare	1,2	1F-1H Japan Four pocket
2	1	472 6002-05	•Shell	•Hölje	1	
3	1	472 6003-01	•Box	•Låda	1	
	1	472 6003-04	•Box	•Låda	1	USA
4	1	472 6005-10	•Spray head	•Spridare	1	1F
	1	472 6005-11	•Spray head	•Spridare	1	2F
5	1	472 6005-01	•Spray head	•Spridare	1	1H
	1	472 6005-02	•Spray head	•Spridare	1	2H
6	6	472 6004-01	•Grommet	•Genomföring	3	
7	1	471 8163-01	•Gasket	•Packning	3	
8	7	471 8346-01	•Screw	•Skruv	1	
9	1	438 0460-01	•Gasket	•Packning	3	
10	1	472 6006-01	•Siphon	•Hävert	1,2	
11	1	471 8644-03	Hood	Huv	3	
13	1	472 9902-59	Cover	Lock	1,2	
14	3	731 2314-42	•Nut	•Mutter	3	M4
15	1	438 5326-01	Bracket	Fäste	3	
16	2	438 4139-01	Bracket	Fäste	3	
17	1	438 0150-01	Bracket	Fäste	3	W/FL75-230
18	1	438 0151-01	Bracket	Fäste	3	W75-100,WE66-106
19	1	438 0216-01	Bracket	Fäste	3	W/FL160
20	1	438 0321-01	Bracket	Fäste	3	W/FL230
21	1	472 6756-01	Plate	Plåt	3	

Numerical index/Nummerregister

Art.No/Art.nr	Page/Sida	Art.No/Art.nr	Page/Sida	Art.No/Art.nr	Page/Sida	Art.No/Art.nr	Page/Sida
432 1131-01	27	438 0058-01	7	438 0341-01	29	438 3010-13	45
432 1132-01	27	438 0058-02	7	438 0350-01	9	438 3010-13	47
432 1133-01	27	438 0058-03	7	438 0350-02	9	438 3010-13	49
432 1134-01	27	438 0067-01	7	438 0350-03	9	438 3010-13	51
432 1135-01	27	438 0070-01	13	438 0353-01	21	438 3010-13	53
432 1139-01	35	438 0075-01	9	438 0353-01	25	438 3010-13	55
438 0001-01	9	438 0076-01	31	438 0354-01	21	438 3010-15	45
438 0001-02	9	438 0077-01	17	438 0354-02	23	438 3010-15	49
438 0001-03	9	438 0078-01	9	438 0355-01	23	438 3010-30	53
438 0001-04	9	438 0080-02	19	438 0356-05	9	438 3010-35	45
438 0002-01	9	438 0081-12	19	438 0356-08	9	438 3010-35	49
438 0002-02	9	438 0082-01	43	438 0358-02	23	438 3011-10	53
438 0003-01	9	438 0083-01	19	438 0359-01	23	438 3011-15	45
438 0003-02	9	438 0084-03	19	438 0363-01	15	438 3011-15	49
438 0004-01	9	438 0085-01	59	438 0439-01	23	438 3014-05	47
438 0004-02	9	438 0085-01	61	438 0440-01	13	438 3014-05	51
438 0004-03	9	438 0093-01	19	438 0455-01	31	438 3014-07	55
438 0004-04	9	438 0093-01	59	438 0460-01	79	438 3014-08	57
438 0004-05	9	438 0093-03	59	438 0484-01	33	438 3014-11	47
438 0004-07	9	438 0093-05	59	438 0484-01	71	438 3014-11	51
438 0004-08	9	438 0099-01	7	438 0489-01	17	438 3014-11	55
438 0004-30	9	438 0125-01	19	438 0498-03	9	438 3014-12	47
438 0005-03	9	438 0125-01	43	438 0498-04	9	438 3014-12	51
438 0005-04	9	438 0127-01	43	438 2800-05	37	438 3014-12	55
438 0006-01	31	438 0128-02	13	438 2800-08	37	438 3014-13	47
438 0006-02	31	438 0134-01	9	438 2800-15	37	438 3014-13	51
438 0006-03	31	438 0141-01	7	438 2800-20	37	438 3014-13	55
438 0006-04	33	438 0143-01	13	438 2800-33	37	438 3014-13	57
438 0006-08	33	438 0144-01	13	438 2800-35	37	438 3014-18	57
438 0006-09	33	438 0145-02	43	438 2800-37	37	438 3014-71	47
438 0006-25	31	438 0150-01	79	438 2800-40	37	438 3014-71	51
438 0006-26	31	438 0151-01	79	438 2800-42	37	438 3014-72	47
438 0006-27	31	438 0152-01	9	438 2800-47	37	438 3014-72	51
438 0006-28	33	438 0152-01	31	438 2900-01	37	438 3014-73	47
438 0006-33	33	438 0152-01	33	438 2900-02	37	438 3014-73	51
438 0006-50	31	438 0154-01	69	438 2900-03	37	438 3014-81	55
438 0006-51	31	438 0167-01	29	438 2900-04	37	438 3014-82	55
438 0006-52	31	438 0175-10	77	438 2900-05	37	438 3014-83	55
438 0006-53	33	438 0175-20	75	438 2900-06	37	438 3014-83	57
438 0006-58	33	438 0175-30	73	438 2900-07	37	438 3018-11	69
438 0007-02	13	438 0180-02	69	438 2900-08	37	438 3018-12	69
438 0008-02	13	438 0216-01	79	438 2900-09	37	438 3019-01	47
438 0010-02	9	438 0235-10	21	438 2900-10	37	438 3019-01	73
438 0012-01	9	438 0260-10	33	438 2900-11	37	438 3019-02	49
438 0012-02	9	438 0286-01	71	438 2901-02	37	438 3019-02	51
438 0012-03	9	438 0321-01	79	438 2903-01	37	438 3019-02	75
438 0012-04	9	438 0332-02	33	438 2903-02	37	438 3019-03	47
438 0014-01	17	438 0333-01	31	438 2903-03	37	438 3019-03	49
438 0016-02	17	438 0333-01	33	438 2903-04	37	438 3019-03	51
438 0026-01	19	438 0333-02	31	438 2903-05	37	438 3019-03	73
438 0027-01	7	438 0333-11	31	438 2903-06	37	438 3019-03	75
438 0028-01	59	438 0333-11	33	438 2903-07	37	438 3019-07	47
438 0028-01	61	438 0333-12	31	438 2903-60	37	438 3019-07	49
438 0029-01	19	438 0333-21	31	438 2904-01	37	438 3019-07	51
438 0030-02	15	438 0333-21	33	438 2904-02	37	438 3019-07	73
438 0039-01	31	438 0333-22	31	438 2904-03	37	438 3019-07	75
438 0040-01	31	438 0333-33	73	438 2904-04	37	438 3019-07	77
438 0044-01	21	438 0333-33	75	438 2904-05	37	438 3019-09	47
438 0047-02	15	438 0333-33	77	438 2905-01	37	438 3019-09	51
438 0051-01	59	438 0333-41	31	438 2905-02	37	438 3019-21	49
438 0052-01	59	438 0334-01	33	438 2905-04	37	438 3019-21	51
438 0053-01	59	438 0334-02	31	438 2905-05	37	438 3019-21	53
438 0054-01	59	438 0334-11	33	438 3009-11	47	438 3019-21	55
438 0055-01	59	438 0334-12	31	438 3009-11	51	438 3019-21	61
438 0056-03	19	438 0334-21	33	438 3009-11	55	438 3019-24	53
438 0056-03	43	438 0334-22	31	438 3010-10	53	438 3019-24	55

Numerical index/Nummerregister

Art.No/Art.nr	Page/Sida	Art.No/Art.nr	Page/Sida	Art.No/Art.nr	Page/Sida	Art.No/Art.nr	Page/Sida
438 3019-32	49	438 3020-55	49	438 3058-01	23	438 4075-01	35
438 3019-32	51	438 3020-55	51	438 3058-21	23	438 4075-02	35
438 3019-34	45	438 3020-55	53	438 3060-02	69	438 4075-03	35
438 3019-34	47	438 3020-55	55	438 3060-03	69	438 4075-04	35
438 3019-37	49	438 3021-04	45	438 3060-04	69	438 4076-01	35
438 3019-37	51	438 3021-04	47	438 3065-02	69	438 4077-01	35
438 3019-39	45	438 3021-04	49	438 3082-11	45	438 4079-01	33
438 3019-39	47	438 3021-04	51	438 3082-11	47	438 4079-02	33
438 3019-41	53	438 3021-04	55	438 3082-11	49	438 4079-10	33
438 3019-41	55	438 3022-21	27	438 3082-11	51	438 4080-02	15
438 3019-42	77	438 3022-22	27	438 3082-11	53	438 4088-01	31
438 3019-43	45	438 3022-23	27	438 3082-11	55	438 4139-01	79
438 3019-43	47	438 3022-24	27	438 3082-13	53	438 5154-01	35
438 3019-44	45	438 3022-25	27	438 3082-13	55	438 5191-02	43
438 3019-44	47	438 3022-26	27	438 3082-13	57	438 5326-01	79
438 3019-49	51	438 3022-27	27	438 3082-15	45	438 5357-01	43
438 3019-65	45	438 3022-28	27	438 3082-15	47	438 5450-32	57
438 3019-65	49	438 3030-05	45	438 3082-15	49	438 5541-01	15
438 3019-65	53	438 3030-05	47	438 3082-15	51	438 9636-01	21
438 3019-66	47	438 3030-10	45	438 3082-19	45	438 9636-02	21
438 3019-66	51	438 3030-10	49	438 3082-19	47	438 9636-02	25
438 3019-66	55	438 3030-10	53	438 3082-19	49	438 9636-02	27
438 3019-67	45	438 3030-30	45	438 3082-19	51	438 9636-03	21
438 3019-67	47	438 3030-30	47	438 3082-19	53	438 9636-72	21
438 3019-67	49	438 3030-30	49	438 3082-19	55	438 9636-73	21
438 3019-67	51	438 3030-30	51	438 3082-19	57	471 2075-49	7
438 3019-67	53	438 3030-40	45	438 3082-26	55	471 2408-08	13
438 3019-67	55	438 3030-40	47	438 3082-67	57	471 2437-15	7
438 3019-69	55	438 3030-41	49	438 3083-07	57	471 2438-14	7
438 3019-70	55	438 3030-41	51	438 3084-01	57	471 2449-99	19
438 3019-80	55	438 3030-42	45	438 3084-05	49	471 2452-42	17
438 3019-95	57	438 3030-42	47	438 3084-05	51	471 2904-01	19
438 3019-96	57	438 3030-62	47	438 3084-09	45	471 4035-01	19
438 3019-98	57	438 3030-62	51	438 3084-09	47	471 4591-01	31
438 3020-18	45	438 3030-62	55	438 3084-09	49	471 4591-01	33
438 3020-18	49	438 3030-72	47	438 3084-09	51	471 4592-01	31
438 3020-18	53	438 3030-72	51	438 3084-09	53	471 4592-01	33
438 3020-19	45	438 3030-72	55	438 3084-09	55	471 4596-01	31
438 3020-19	49	438 3030-83	53	438 3084-12	57	471 4596-01	33
438 3020-19	53	438 3030-83	55	438 3084-20	55	471 4657-82	31
438 3020-20	45	438 3031-00	45	438 3086-01	57	471 4705-02	31
438 3020-20	49	438 3031-00	47	438 3086-09	51	471 4731-02	77
438 3020-20	53	438 3031-00	49	438 3086-13	45	471 4731-12	73
438 3020-21	45	438 3031-10	45	438 3086-13	49	471 4731-12	75
438 3020-21	49	438 3031-10	49	438 3086-13	53	471 4764-01	33
438 3020-21	53	438 3031-11	53	438 3086-14	47	471 4792-01	43
438 3020-30	45	438 3031-32	45	438 3086-14	51	471 4792-01	63
438 3020-30	53	438 3031-32	49	438 3086-14	55	471 4792-01	65
438 3020-50	47	438 3031-60	53	438 3086-15	45	471 4792-01	67
438 3020-50	51	438 3031-60	55	438 3086-15	49	471 4878-01	45
438 3020-50	55	438 3031-60	57	438 3086-15	53	471 4878-01	47
438 3020-50	57	438 3031-66	45	438 3086-16	47	471 4878-01	49
438 3020-51	47	438 3031-66	49	438 3086-16	51	471 4878-01	51
438 3020-51	51	438 3031-66	53	438 3086-16	55	471 4878-01	53
438 3020-51	55	438 3031-80	77	438 3087-06	55	471 4878-01	55
438 3020-52	47	438 3050-01	69	438 3088-06	55	471 4904-02	31
438 3020-52	51	438 3050-11	69	438 3089-03	47	471 5080-02	69
438 3020-52	55	438 3050-21	69	438 3089-03	51	471 6860-15	63
438 3020-53	47	438 3050-31	69	438 3089-05	51	471 6860-15	65
438 3020-53	51	438 3056-04	13	438 3089-55	57	471 6860-15	67
438 3020-53	55	438 3056-11	13	438 4058-02	61	471 6860-16	63
438 3020-54	47	438 3056-12	13	438 4060-01	61	471 6860-16	65
438 3020-54	51	438 3056-21	13	438 4062-01	13	471 6860-16	67
438 3020-54	55	438 3056-22	13	438 4063-01	13	471 6860-17	63
438 3020-55	45	438 3056-31	13	438 4073-01	35	471 6860-17	65
438 3020-55	47	438 3056-32	13	438 4074-01	35	471 6860-17	67

Numerical index/Nummerregister

Art.No/Art.nr	Page/Sida	Art.No/Art.nr	Page/Sida	Art.No/Art.nr	Page/Sida	Art.No/Art.nr	Page/Sida
471 6860-18	63	471 8234-56	63	471 8502-24	17	471 8916-24	71
471 6860-18	65	471 8234-58	63	471 8641-01	9	471 8916-25	71
471 6860-18	67	471 8234-92	63	471 8644-03	43	471 8916-26	71
471 6860-19	63	471 8234-92	65	471 8644-03	79	471 8916-30	71
471 6860-19	65	471 8234-92	67	471 8670-03	29	471 8916-31	71
471 6860-19	67	471 8234-94	63	471 8670-31	29	471 8916-34	71
471 6860-20	63	471 8234-94	65	471 8688-01	19	471 8916-42	71
471 6860-20	65	471 8234-94	67	471 8688-02	19	471 8916-44	71
471 6860-20	67	471 8234-95	63	471 8688-12	19	471 8920-03	35
471 6874-61	19	471 8234-95	65	471 8688-13	19	471 8964-12	33
471 7651-16	13	471 8234-95	67	471 8688-13	59	471 8966-11	71
471 7651-17	13	471 8234-96	63	471 8693-21	43	471 8966-13	71
471 7651-18	13	471 8234-96	65	471 8702-03	21	471 8966-14	71
471 7651-19	13	471 8234-96	67	471 8708-01	23	471 8966-15	71
471 7651-20	13	471 8234-98	63	471 8742-01	21	471 8966-16	71
471 7651-21	13	471 8234-98	65	471 8748-01	45	471 8966-17	71
471 7651-22	13	471 8234-98	67	471 8748-01	47	471 8978-18	69
471 7651-23	13	471 8235-51	65	471 8748-01	49	471 8978-19	69
471 7651-24	13	471 8235-54	65	471 8748-01	51	471 8978-21	69
471 7651-25	13	471 8235-57	65	471 8748-01	53	471 8978-22	69
471 7671-01	23	471 8235-58	65	471 8748-01	55	471 8979-01	69
471 7804-01	61	471 8235-59	65	471 8748-02	45	471 8979-02	69
471 7807-02	7	471 8235-60	65	471 8748-02	47	471 8981-03	69
471 7818-01	59	471 8235-62	65	471 8748-02	49	471 8981-04	69
471 7826-10	9	471 8236-52	67	471 8748-02	51	471 8981-05	69
471 7826-13	35	471 8236-56	67	471 8748-02	53	471 8985-01	15
471 7826-99	9	471 8236-57	67	471 8748-02	55	471 8988-04	35
471 7826-99	31	471 8236-60	67	471 8750-11	21	471 8992-11	27
471 7826-99	33	471 8236-62	67	471 8750-11	27	471 8992-11	35
471 7829-01	33	471 8236-64	67	471 8756-01	21	471 9006-62	17
471 7829-99	33	471 8236-65	67	471 8756-01	27	471 9027-85	21
471 7840-01	33	471 8236-66	67	471 8756-51	21	471 9027-85	27
471 7851-02	59	471 8236-68	67	471 8756-51	27	471 9030-34	29
471 7864-01	7	471 8243-04	19	471 8756-52	21	471 9222-59	7
471 7865-03	23	471 8243-05	19	471 8756-52	27	471 9501-02	23
471 7867-01	17	471 8243-06	19	471 8759-01	23	471 9525-21	21
471 7909-07	9	471 8279-03	29	471 8760-01	23	471 9525-22	21
471 7958-01	23	471 8279-08	29	471 8760-02	23	471 9525-23	21
471 7958-01	27	471 8317-05	9	471 8803-24	21	471 9525-24	21
471 7958-01	35	471 8317-05	43	471 8803-28	21	471 9525-25	21
471 7958-01	69	471 8317-05	59	471 8859-01	21	471 9525-27	21
471 7958-01	73	471 8320-05	15	471 8859-52	21	471 9525-27	23
471 7958-01	75	471 8340-12	21	471 8910-90	31	471 9525-28	21
471 7958-01	77	471 8340-12	61	471 8910-90	33	471 9525-28	23
471 7961-01	13	471 8340-16	33	471 8910-90	71	471 9528-03	23
471 7967-02	23	471 8340-22	35	471 8910-91	71	471 9529-04	23
471 8126-33	29	471 8340-23	9	471 8916-01	71	471 9529-04	25
471 8136-01	19	471 8340-23	23	471 8916-02	71	471 9529-04	27
471 8136-02	19	471 8340-26	35	471 8916-03	71	471 9529-10	25
471 8139-01	19	471 8340-32	61	471 8916-04	71	471 9529-10	27
471 8139-02	19	471 8341-11	21	471 8916-05	71	471 9558-03	21
471 8159-04	15	471 8341-11	43	471 8916-06	71	471 9558-04	21
471 8159-05	15	471 8341-13	19	471 8916-08	71	471 9558-11	25
471 8159-05	29	471 8341-15	69	471 8916-09	71	471 9558-11	27
471 8163-01	79	471 8341-19	61	471 8916-10	71	471 9559-03	21
471 8164-00	69	471 8341-22	61	471 8916-12	71	471 9565-03	21
471 8175-01	43	471 8342-04	71	471 8916-13	71	471 9566-01	21
471 8192-01	7	471 8342-13	21	471 8916-14	71	471 9566-05	21
471 8195-01	59	471 8342-13	23	471 8916-16	71	471 9629-02	33
471 8196-01	9	471 8342-13	69	471 8916-17	71	471 9629-02	77
471 8197-01	13	471 8342-23	31	471 8916-18	71	471 9635-12	21
471 8198-01	13	471 8346-01	79	471 8916-19	71	471 9641-11	69
471 8199-01	43	471 8346-05	19	471 8916-20	71	471 9642-02	69
471 8234-51	63	471 8346-05	61	471 8916-21	71	471 9642-03	69
471 8234-52	63	471 8346-06	23	471 8916-22	71	471 9643-01	69
471 8234-53	63	471 8502-14	7	471 8916-23	71	471 9643-12	69

Numerical index/Nummerregister

Art.No/Art.nr	Page/Sida	Art.No/Art.nr	Page/Sida	Art.No/Art.nr	Page/Sida	Art.No/Art.nr	Page/Sida
471 9643-22	69	472 5753-51	39	472 8714-03	19	729 5279-01	21
471 9643-23	69	472 5753-52	39	472 8714-03	43	729 9342-61	29
471 9643-24	69	472 5753-53	39	472 8754-10	19	731 2312-01	61
471 9647-11	69	472 5753-54	37	472 8754-10	61	731 2312-01	71
471 9647-12	69	472 5753-54	39	472 8754-11	19	731 2314-42	79
471 9648-01	31	472 5753-55	39	472 8754-11	61	732 2112-01	31
471 9649-01	23	472 5753-56	37	472 8762-01	13	732 2112-01	33
471 9649-01	33	472 5753-57	39	472 8827-01	15	732 2114-01	13
471 9649-02	33	472 5753-58	41	472 8827-02	15	732 2116-01	13
471 9649-11	33	472 5753-59	39	472 8828-01	15	732 2118-01	7
471 9652-01	31	472 5762-03	35	472 8828-02	15	734 1153-01	13
471 9652-02	31	472 5762-04	35	472 8828-03	15	734 1808-51	31
471 9677-01	73	472 5762-05	35	472 8828-04	15	734 1808-51	33
471 9677-01	75	472 5762-06	35	472 8895-01	71	735 2136-01	9
471 9677-01	77	472 5762-07	35	472 8906-01	15	735 2136-01	11
471 9727-01	61	472 5762-08	35	472 8907-01	15	735 2136-01	21
471 9727-02	61	472 5762-09	35	472 8908-01	15	735 2136-01	23
471 9738-81	17	472 5762-10	35	472 8969-02	33	735 2136-01	31
471 9738-82	17	472 5762-11	35	472 8969-03	33	735 2136-01	33
471 9738-84	17	472 5762-13	35	472 8974-01	33	735 2146-01	31
471 9738-86	17	472 5762-14	35	472 8974-02	33	735 2146-01	61
471 9738-87	17	472 6001-58	79	472 8977-01	29	735 3128-00	15
471 9738-88	17	472 6001-59	79	472 8978-01	29	735 9304-01	15
471 9812-02	7	472 6001-60	79	472 9812-16	7	736 2816-51	43
471 9812-05	7	472 6001-62	79	472 9900-65	7	736 2825-51	43
471 9812-12	7	472 6001-64	79	472 9900-99	9	736 2831-51	19
471 9812-13	7	472 6001-68	79	472 9900-99	35	736 2837-51	19
471 9812-14	7	472 6001-73	79	472 9902-16	15	736 2840-51	19
471 9812-15	7	472 6001-75	79	472 9902-48	13	736 2842-01	43
471 9812-17	7	472 6001-76	79	472 9902-49	13	736 2843-51	19
472 5207-04	31	472 6001-77	79	472 9902-50	13	736 2846-51	19
472 5752-01	37	472 6001-78	79	472 9902-51	13	736 2849-51	19
472 5752-03	37	472 6001-79	79	472 9902-59	79	736 2849-51	61
472 5752-05	37	472 6001-80	79	472 9902-64	33	736 2852-51	19
472 5752-06	37	472 6002-05	79	472 9902-97	35	740 4206-00	19
472 5752-07	37	472 6003-01	79	472 9904-39	33	741 1111-20	15
472 5752-08	39	472 6003-04	79	472 9911-08	13	741 1113-20	29
472 5752-10	39	472 6004-01	79	472 9911-19	15	741 1115-20	15
472 5752-11	39	472 6005-01	79	472 9911-20	15	741 5109-25	19
472 5752-15	39	472 6005-02	79	472 9911-21	15	744 3113-06	29
472 5752-70	39	472 6005-10	79	472 9911-25	17	762 1152-10	35
472 5752-71	39	472 6005-11	79	472 9911-26	17	762 1191-10	21
472 5752-72	39	472 6006-01	79	472 9913-22	7	762 1215-10	23
472 5752-73	39	472 6011-00	59	472 9913-43	23	762 3131-01	61
472 5752-74	39	472 6011-00	61	472 9913-43	49	762 7110-80	21
472 5752-75	39	472 6012-00	59	472 9913-43	51	762 7146-90	21
472 5752-76	39	472 6012-00	61	472 9919-30*	31	762 7202-55	75
472 5752-77	39	472 6015-00	61	472 9928-01	69	762 7202-57	73
472 5752-80	37	472 6016-00	61	487 9990-06	75	762 7202-57	77
472 5753-01	39	472 6017-00	61	721 1252-35	61	762 7207-57	33
472 5753-02	37	472 6082-01	31	722 7843-02	9	762 8151-91	21
472 5753-03	39	472 6084-01	15	722 7843-02	31	762 9105-05	43
472 5753-04	39	472 6195-01	61	722 7843-02	33	762 9112-07	23
472 5753-05	37	472 6744-01	73	724 1218-01	71	763 1802-01	73
472 5753-06	39	472 6744-02	73	724 3291-42	9	763 1802-01	75
472 5753-07	39	472 6744-03	73	725 2289-61	9	763 1802-01	77
472 5753-09	37	472 6744-04	73	725 2289-61	31	767 5101-91	21
472 5753-10	39	472 6744-05	73	725 2366-42	9	767 5102-92	21
472 5753-11	39	472 6744-06	73	725 2366-61	7	767 5102-92	25
472 5753-13	39	472 6744-08	73	725 2366-61	11	767 5802-09	21
472 5753-14	39	472 6744-11	73	725 2366-61	15	877 5211-08	43
472 5753-15	39	472 6745-05	75	725 2368-51	9		
472 5753-16	39	472 6756-01	79	725 2370-61	17		
472 5753-17	39	472 6761-01	43	725 2463-71	7		
472 5753-18	39	472 6847-09	21	725 6328-42	13		
472 5753-50	39	472 7744-01	71	728 8362-01	17		

Numerical index/Nummerregister

Art.No/Art.nr	Page/Sida	Art.No/Art.nr	Page/Sida	Art.No/Art.nr	Page/Sida	Art.No/Art.nr	Page/Sida



ELECTROLUX LAUNDRY SYSTEMS

ELECTROLUX LAUNDRY SYSTEMS SWEDEN AB
341 80 Ljungby, Sweden. Telephone +46 372 661 00. Telefax +46 372 133 90
Internet: www.electrolux-wascator.com E-mail: els.info@electrolux.se