

W160 /MP, FL160 /MP, W160CC

Washer extractor

Tvättmaskin

Group

Grupp

WA117/NY93/OS17

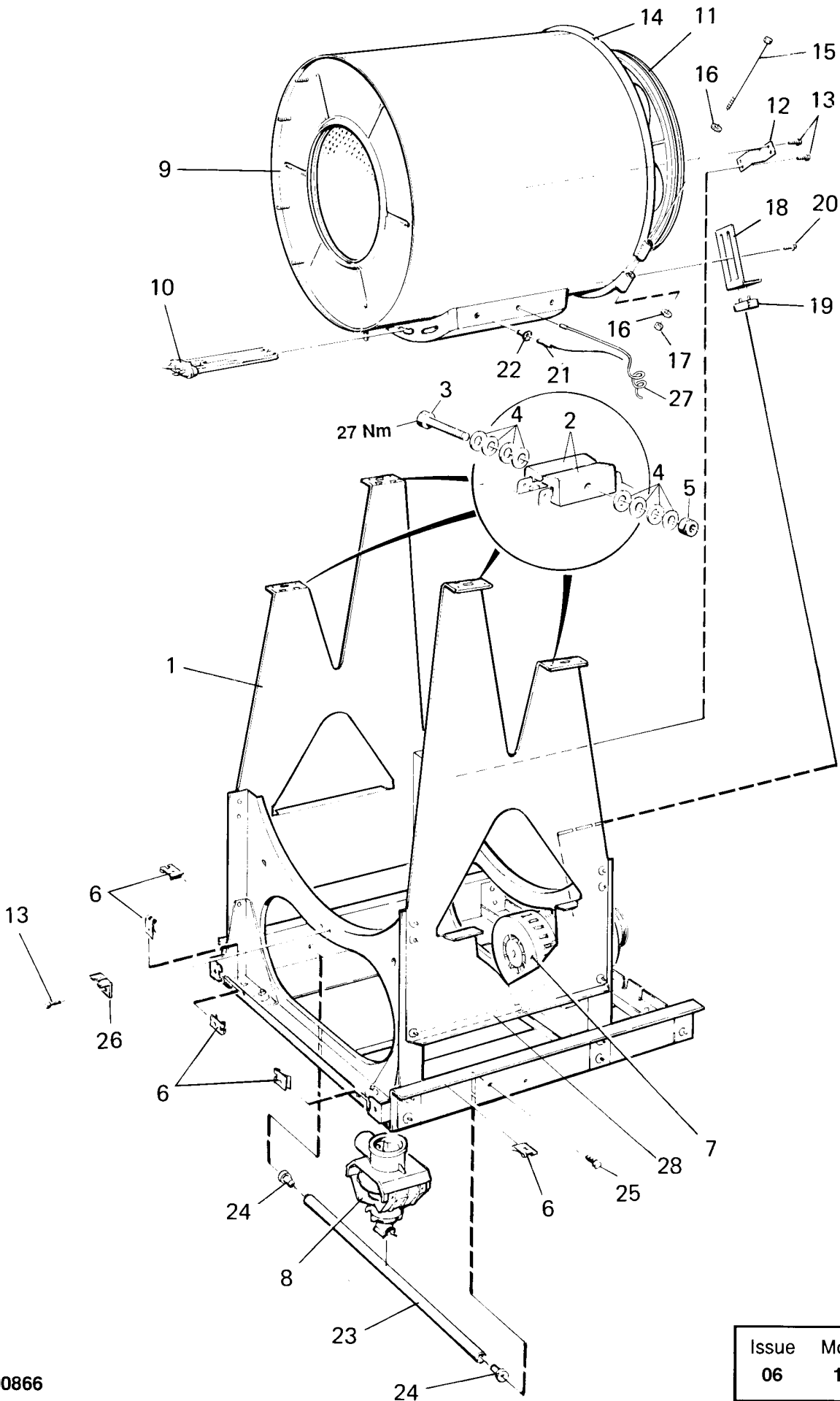
List of issues

**1203,1203E,1203PCO,1203PEC,FL160,FL160MP,FLE120,FLE220
FLE350,FLE360,FLE403,MAXI HS PCO,MEGA HS PCO,W160,W160CC,W160MP**

Illustration	Page	Table of contents
100568	81	Inlet valve 1/2", 3/4", 1", 1 1/4", 2"
100605	83	Card programmer
100694	21	Electrical components and level control
100723	51	Cables P01,11,21,31,61
100728	59	Cables
100771	71	Drain valve
100797	79	Inlet valve 3/4", 3-way
100798	77	Inlet valve 3/4", 2-way
100799	75	Inlet valve 3/4", 1-way
100824	87	Electronic coin meter with slot locking device
100847	85	Program unit
100866	7	Base and outer drum
100867	11	Lining and top panel
100868	13	Door and door lock
100871	17	Motor and motor suspension
100872	19	Drain valve and hoses
100931	49	Water alternatives
100947	33	Steam injector
100976	27	Electrical components and level control
100977	35	Control panel
100978	37	Control panel
100980	41	Control panel
100981	39	Control panel
100985	15	Back plate with inner drum
101137	61	Cables
101138	65	Cables
101139	67	Cables
101140	53	Cables P01,11,21,31,61
101141	55	Cables P02,22
101143	73	Drain valve
101144	57	Cables P02,22
101151	91	Control unit P2
101152	89	Control unit P1
101330	23	Electric components
101335	31	Electric components
101363	69	Cables
101366	93	Detergent container
101415	47	Type plates and panel plates

**1203,1203E,1203PCO,1203PEC,FL160,FL160MP,FLE120,FLE220
FLE350,FLE360,FLE403,MAXI HS PCO,MEGA HS PCO,W160,W160CC,W160MP**

Table of contents	Innehållsförteckning	Page/Sida
Base and outer drum	Stativ och yttertrumma	7
Lining and top panel	Klädselplåtar och topplock	11
*Door and door lock	Lucka och lucklås	13
Back plate with inner drum	Bakgavel med innertrumma	15
Motor and motor suspension	Motor och motorupphängning	17
Drain valve and hoses	Avloppsventil och slangar	19
Electrical components and level control	Elkomponenter och nivågivare	21
Electric components	Elkomponenter	23
Electrical components and level control	Elkomponenter och nivågivare	27
Electric components	Elkomponenter	31
Steam injector	Ånginjektor	33
*Control panel	Manöverpanel	35
*Control panel	Manöverpanel	37
Control panel	Manöverpanel	39
Control panel	Manöverpanel	41
Type plates and panel plates	Typskyltar och panelskyltar	47
Water alternatives	Vattenalternativ	49
Cables P01,11,21,31,61	Kablage P01,11,21,31,61	51
Cables P01,11,21,31,61	Kablage P01,11,21,31,61	53
Cables P02,22	Kablage P02,22	55
Cables P02,22	Kablage P02,22	57
Cables	Kablage	59
Cables	Kablage	61
Cables	Kablage	65
Cables	Kablage	67
Cables	Kablage	69
Drain valve	Avloppsventil	71
Drain valve	Avloppsventil	73
Inlet valve 3/4", 1-way	Tilloppsventil 3/4", 1-vägs	75
Inlet valve 3/4", 2-way	Tilloppsventil 3/4", 2-vägs	77
Inlet valve 3/4", 3-way	Tilloppsventil 3/4", 3-vägs	79
Inlet valve 1/2", 3/4", 1", 1 1/4", 2"	Tilloppsventil 1/2", 3/4", 1", 1 1/4", 2"	81
Card programmer	Plankortsautomat	83
Program unit	Programenhet	85
Electronic coin meter with slot locking device	Elektronisk myntmätare med myntspärr	87
Control unit P1	Styrenhet P1	89
Control unit P2	Styrenhet P2	91
Detergent container	Tvättmedelsbehållare	93

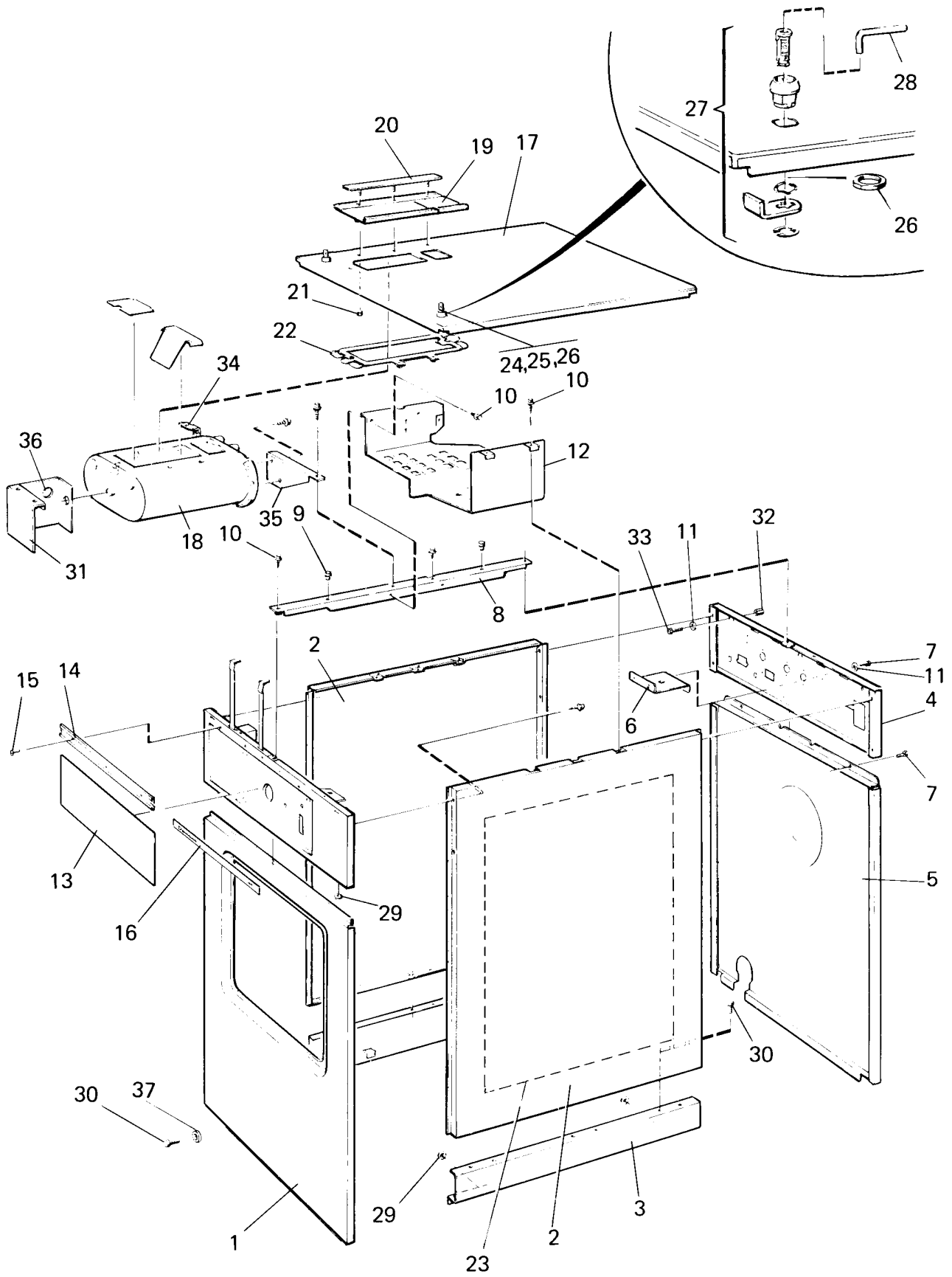


1203,1203E,1203PCO,1203PEC,FL160,FL160MP,W160,W160CC,W160MP**Base and outer drum**

Illustration	Issue	Month	Year
Illustration	Utgåva	Månad	År
100866/8	16	2	2003

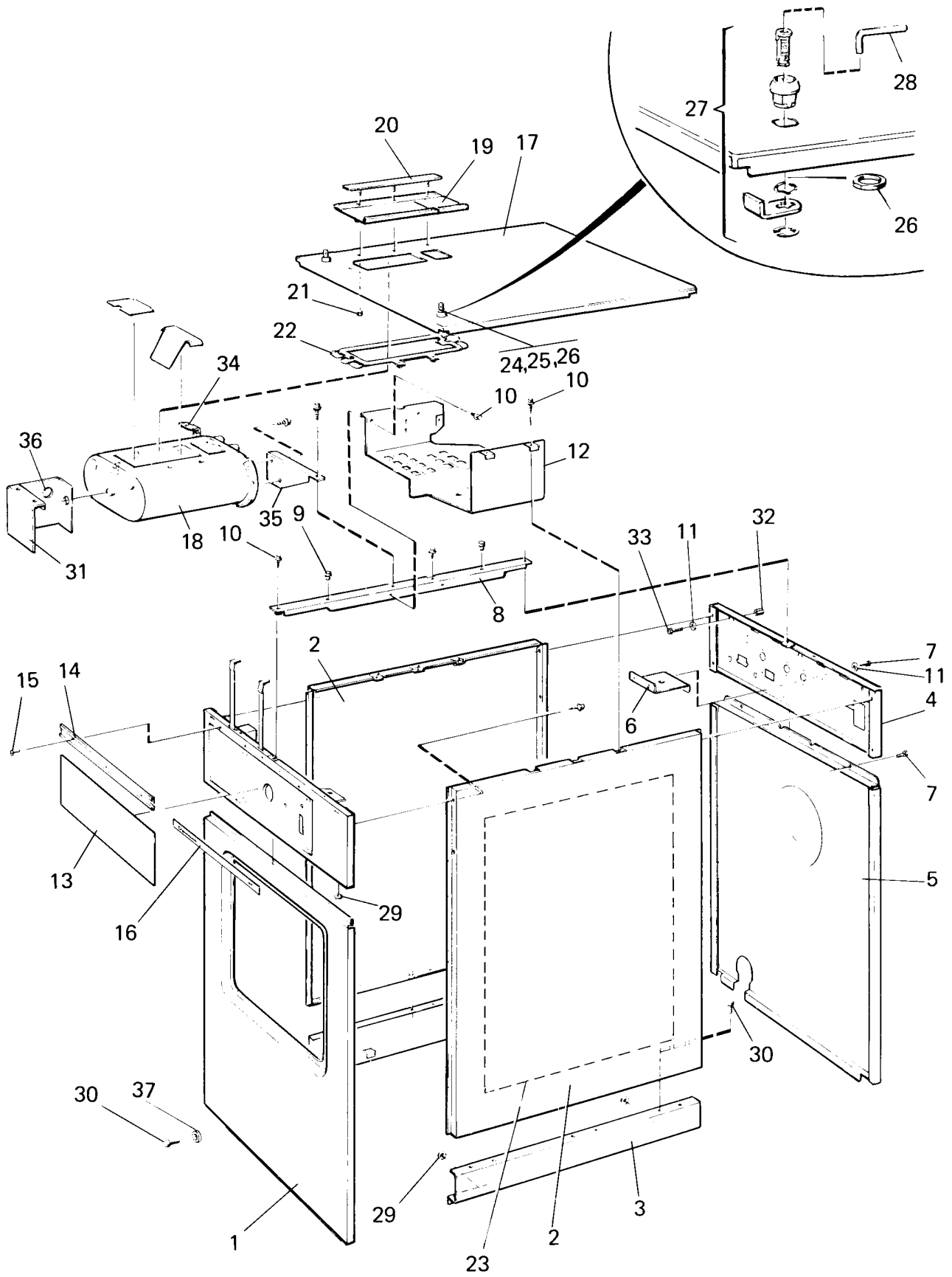
Stativ och yttertrumma

Item Pos.	Quantity Antal	Art.No Art.nr	Description	Benämning	Info Info	Notes Anmärkning
			1203,1203E,W160,W160CC,W160MP			
			1203PCO,1203PEC,FL160,FL160MP			
1	1	1	472 9900-67 Frame	Stativ	3	
2	4	4	438 0027-01 •Tensioner	•Spänne	3	
3	2	2	725 2465-71 •Screw	•Skruv	3	M8X70
4	9	9	471 7807-02 •Tension plate	•Spännbricka	3	18x8,4x2
5	2	2	732 2118-01 •Locking nut	•Låsmutter	3	M8
6	8	8	471 7864-01 Clip	Clips	3	M6
7			Motor	Motor		See illustr. 100871
8			Drain valve	Avloppsventil		See group 8107, 8108
9	1	1	438 0259-01 Outer drum	Yttertrumma	3	EL,W/FL-MP,W,1203/E/PEC
	1	1	438 0259-02 Outer drum	Yttertrumma	3	NON HEATED
	1	1	438 0259-03 Outer drum	Yttertrumma	3	NON HEATED,FL,W/FL-MP,1203E
						1203PCO/PEC
	1	1	438 0259-04 Outer drum	Yttertrumma	3	EL, FL.PCO
	1	1	438 0259-06 Outer drum	Yttertrumma	3	DS,FL-MP,PEC
	1	1	438 0259-07 Outer drum	Yttertrumma	3	DS,FL,PCO
10	3	3	471 9811-04 Heating element	Element	1,2	3KW 230V
	3	3	471 9811-06 Heating element	Element	1,2	1,6KW 230V
	3	3	471 9811-01 Heating element	Element	1,2	4KW 230V
	3	3	471 9811-03 Heating element	Element	1,2	4KW, 254V
	3	3	471 9811-07 Heating element	Element	1,2	4KW 277V
11			Back plate	Bakgavel		See illustr. 100869
12	1	1	438 0250-01 Bracket	Fäste	3	
13	6	6	725 2366-61 Screw	Skruv	3	M6SF 6X12
14	2	2	471 2071-37 Tension strap	Spännband	3	
15	2	2	471 9222-59 Screw	Skruv	3	M8X140
16	4	4	471 8502-14 Washer	Bricka	3	BRB 8,4X17
17	2	2	732 2118-01 Locking nut	Låsmutter	3	M8
18	1	1	471 2438-14 Rail	Skena	3	
19	1	1	471 2437-15 Plug	Propp	3	
20	2	2	725 2366-61 Screw	Skruv	3	M6SF 6X12
21	1	1	472 9913-22 Sensor	Givare	1,2	Complete MP,E/PEC
22	1	1	471 8192-01 •Bushing	•Bussning	3	
23	1	1	438 0241-01 Pipe	Rör	3	
24	2	2	438 0185-01 Pin	Tapp	3	
25	2	2	725 2370-61 Screw	Skruv	3	M6SF 6X20
26	1	1	438 0249-01 Bracket	Vridskydd	3	
27		1	471 8804-02 Thermostat	Termostat	1,2	
	1	1	471 8803-24 Thermostat	Termostat	1,2	30,40,60,90 DEGREE C
	1	1	471 8803-28 Thermostat	Termostat	1,2	30,40,60,80 DEGR.
28	1	1			3	NOT USED -91/3640



1203,1203E,1203PCO,1203PEC,FL160,FL160MP,W160,W160CC,W160MP**Lining and top panel**Illustration Issue Month Year
Illustration Utgåva Månad År**Klädselplåtar och topplock****100867/10 19 2 2003**

Item Pos.	Quantity Antal	Art.No Art.nr	Description	Benämning	Info Info	Notes Anmärkning
			1203,1203E,W160,W160CC,W160MP			
			1203PCO,1203PEC,FL160,FL160MP			
1	1	438 0190-05	Front panel	Frontplåt	1	Beige
	1	438 0190-01	Front panel	Frontplåt	1	White
	1	438 0190-02	Front panel	Frontplåt	1	Blue
	1	438 0190-03	Front panel	Frontplåt	1	Yellow
	1	438 0190-04	Front panel	Frontplåt	1	Red
	1	438 0190-06	Front panel	Frontplåt	1	Stainless
	1	438 0190-07	Front panel	Frontplåt	1	Grey
	1	438 0190-30	Front panel	Frontplåt	1	Stainless Zanussi
2	2	438 0197-01	Side panel	Sidoplåt	1	White -92/4423
	2	438 0197-50	Side panel	Sidoplåt	1	White 92/4424-6308
	2	438 0351-70	Side panel	Sidoplåt	1	White 92/6309-
	2	438 0197-02	Side panel	Sidoplåt	1	Red -92/4423
	2	438 0197-51	Side panel	Sidoplåt	1	Red 92/4424-6308
	2	438 0351-71	Side panel	Sidoplåt	1	Red 92/6309-
	2	438 0197-03	Side panel	Sidoplåt	1	Stainless -92/4423
	2	438 0197-52	Side panel	Sidoplåt	1	Stainless 92/4424-6308
	2	438 0351-72	Side panel	Sidoplåt	1	Stainless 92/6309-
	2	438 0197-04	Side panel	Sidoplåt	1	Beige
3	2	438 0236-01	Side cover	Sidoskydd	1	White
	2	438 0236-02	Side cover	Sidoskydd	1	Red
	2	438 0236-03	Side cover	Sidoskydd	1	Stainless
	2	438 0236-04	Side cover	Sidoskydd	1	Beige
4	1	438 0002-10	Brace bracket	Stagplåt	3	White -92/6308
	1	438 0002-11	Brace bracket	Stagplåt	3	Red -92/6308
	1	438 0356-26	Brace bracket	Stagplåt	3	92/6309-
	1	438 0356-26	Brace bracket	Stagplåt	3	USA
	1	438 0356-27	Brace bracket	Stagplåt	3	LIQUID SUPPLY
	1	438 0356-28	Brace bracket	Stagplåt	3	HIGH/LOW,JAPAN
	1	438 0356-29	Brace bracket	Stagplåt		HIGH/LOW,JAPAN LIQUID SUPPLY
5	1	438 0231-01	Rear panel	Bakstycke	3	93/10305-
	1	438 0231-02	Rear panel	Bakstycke	3	Steam 93/10305-
	1	438 0231-03	Rear panel	Bakstycke	3	-93/10304
	1	438 0231-04	Rear panel	Bakstycke	3	Steam -93/10304
	1	438 0231-01	Rear panel	Bakstycke	3	-92/6307 93/10305-
	1	438 0231-02	Rear panel	Bakstycke	3	Steam -92/6307 93/10305-
	1	438 0231-03	Rear panel	Bakstycke	3	92/6308-93/10304
	1	438 0231-04	Rear panel	Bakstycke	3	Steam 92/6308-93/10304
6	1	438 0234-01	Bracket	Konsol	3	18
7	4	471 8340-23	Screw	Skruv	3	RTS 4,2X13
8	1	438 0224-01	Brace	Stag	3	
9	3	471 8641-01	Plug	Plugg	3	
10	16	471 8342-13	Screw	Skruv	3	MRT-TT 4X10
11	10	735 2136-01	Lock washer	Låsbricka	3	AZ 4,3 4,3
12	1		Mounting plate	Monteringsplåt	3	See illustr. 100694
	1		Mounting plate	Monteringsplåt	3	See illustr. 100976
13			Control panel	Manöverpanel		See illustr. 100838
14	1	471 7909-07	Rail	Skena	3	
15	3	722 7843-02	Pop rivet	Popnit	3	
16	1		Type plate	Typskylt	1	See illustr. 100838
17	1	438 0192-01	Top panel	Topplock	1	-91/3840
	1	438 0339-01	Top panel	Topplock	1	91/3841-
	1	438 0116-01	Top panel	Topplock	1	Without hole 91/3841-
18	1		Detergent container	Tvättmedelsbehållare		See group 8803
19	1		Cover	Lock	1	See group 8803
20	1		•Rail	•Skena	3	See group 8803
21	3		•Nut	•Mutter	3	M4



1203,1203E,1203PCO,1203PEC,FL160,FL160MP,W160,W160CC,W160MP**Lining and top panel**

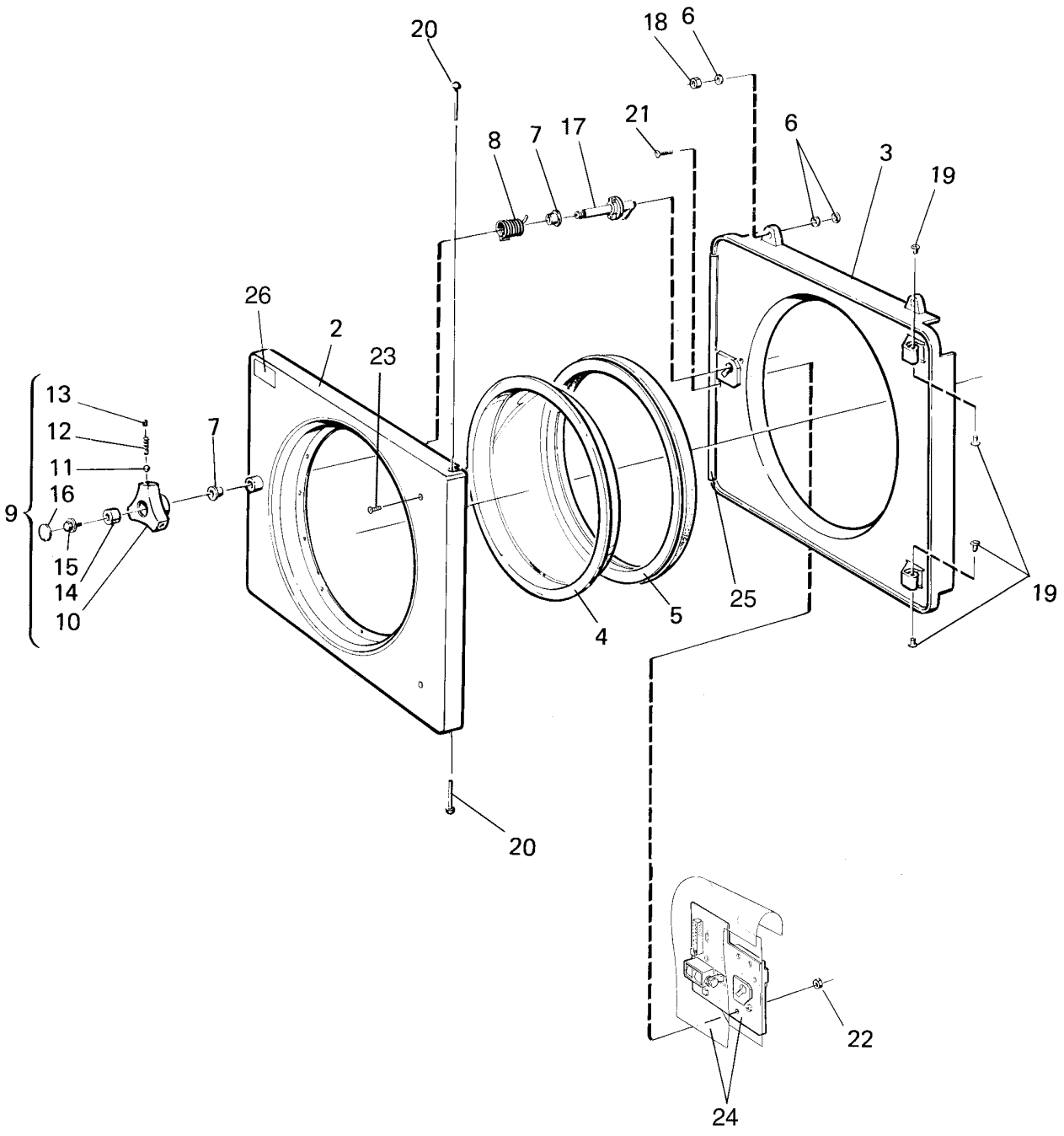
Illustration Issue Month Year

Illustration Utgåva Månad År

Klädselplåtar och topplock**100867/10 19 2 2003**

Item Pos.	Quantity Antal	Art.No Art.nr	Description	Benämning	Info Info	Notes Anmärkning
			1203,1203E,W160,W160CC,W160MP			
			1203PCO,1203PEC,FL160,FL160MP			
22	1	1	438 0078-01 Gasket	Packning	1,2	-95/22156
23	1	1	471 2098-71 Insulating disc	Isolerskiva	3	400X700 Right
24	2	2	471 7826-11 Lock	Lås	1,2	FOR COIN-METER
	2	2	471 7826-13 Lock	Lås	1,2	-91/3840 FOR COIN-METER
25	2	2	472 9900-99 Key	Nyckel	1,2	91/3841- SET FOR COIN-METER
26	2	2	471 7826-98 Nut	Mutter	1,2	
27	2	2	471 7826-12 Lock	Lås	3	WITHOUT COIN-METER
	2	2	471 7826-14 Lock	Lås	3	-91/3840 WITHOUT COIN-METER
28	1	1	471 7826-97 Allen key	Insexnyckel	3	91/3841-
29	6	6	471 8196-01 Plug	Plugg	3	
30	8	8	725 2368-51 Screw	Skruv	3	M6X16
31	1	1	438 0233-01 Support	Stöd	3	
	1	1	438 0390-01 Support	Stöd	3	FL-MP
	3	3	438 0237-01 Guide pin	Styrpinne	3	
33	3	3	725 2289-61 Screw	Skruv	3	M4X10
34	1	1	Bracket	Fäste	3	See group 8803
35	1	1	Bracket	Fäste	3	See group 8803
36	1	1	471 8164-01 Grommet	Genomföring	3	FL-MP
37	2	2	735 2153-01 Lock washer	Låsbricka	3	6,4

1



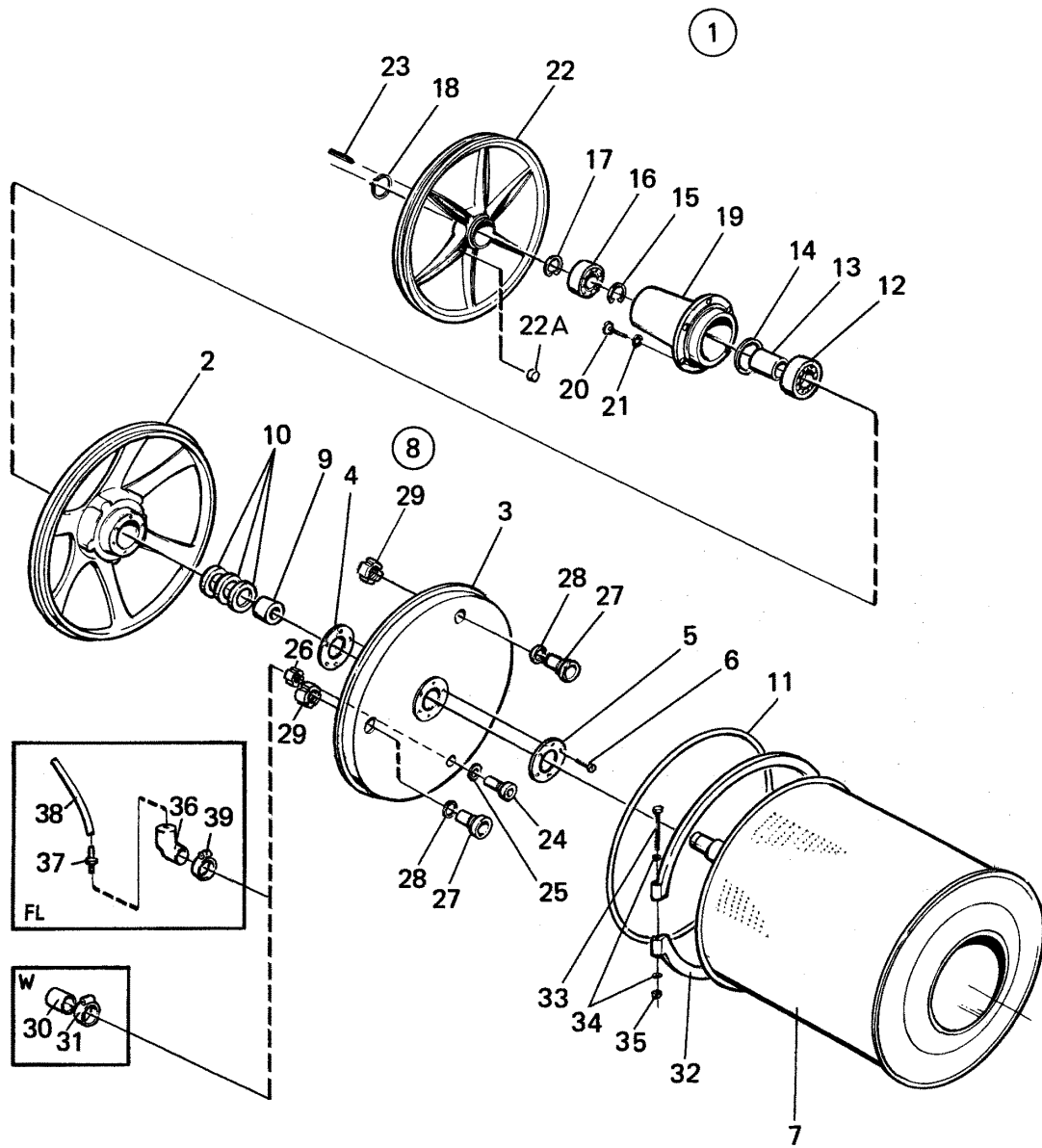
1203,1203E,1203PCO,1203PEC,FL160,FL160MP,W160,W160CC,W160MP**Door and door lock**

Illustration Issue Month Year

Illustration Utgåva Månad År

Lucka och lucklås**100868/3 9 5 2009**

Item Pos.	Quantity Antal	Art.No Art.nr	Description	Benämning	Info Info	Notes Anmärkning
			1203,1203E,W160,W160CC,W160MP			
			1203PCO,1203PEC,FL160,FL160MP			
1	1	438 0257-01	Door	Lucka	1,2	Complete
2	1	438 0183-03	•Support frame	•Fästplatta	3	
3	1	438 0182-03	•Support frame	•Fästplatta	3	
4	1	438 0184-01	Door glass	Luckglas	1	
5	1	438 0462-01	•Door gasket	•Luckpackning	1,2	
6	27	734 1153-01	•Washer	•Bricka	3	BRB 6,4X12
7	2	438 4063-01	•Bushing	•Bussning	1	
8	1	438 0144-01	•Torsion spring	•Vridfjäder	1	
9	1	472 9911-08	•Spare parts kit	•Reservdelssats	1	Knob compl. KNOB
10	1		••Knob	••Vred	1	
11	3		••Ball	••Kula	3	
12	3		••Pressure spring	••Tryckfjäder	3	
13	3		••Screw	••Skruv	3	MSK6SS 6X8
14	1	438 0059-01	••Bushing	••Bussning	3	
15	1	725 2366-61	••Screw	••Skruv	3	M6SF 6X12
16	1	438 0060-01	••Cover	••Lock	3	
17	1	438 0143-01	••Shaft	••Axel	1	
18	7	732 2116-01	•Locking nut	•Låsmutter	3	M6
19	4	438 4062-01	•Bushing	•Bussning	1	
20	2	438 0239-01	•Shaft	•Axel	1	
21	2	725 6328-42	•Screw	•Skruv	3	M5X16
22	2	732 2114-01	•Locking nut	•Låsmutter	3	M5
* 23	2	471 7961-01	Rivet	Nit	3	M4X10
* 24	1	438 3056-22	Door locking device	Lucklås	1,2	230V P1,2 93/12080-
*	1	438 3056-21	Door locking device	Lucklås	1,2	120V P1,2 93/12080-
*	1	438 3056-32	Door locking device	Lucklås	1,2	240V P3 93/12080-
*	1	438 3056-04	Door locking device	Lucklås	1,2	240V W160CC
*	1	438 3056-12	Door locking device	Lucklås	1,2	240V PE 93/12080-
*	1	438 3056-11	Door locking device	Lucklås	1,2	120V PE 93/12080-
*	1	472 9902-48	Door locking device	Lucklås	1,2	120V P1,P2 -93/12079
*	1	472 9902-49	Door locking device	Lucklås	1,2	220V P1,P2 -93/12079
*	1	472 9902-48	Door locking device	Lucklås	1,2	120V PE -92/6307
*	1	472 9902-49	Door locking device	Lucklås	1,2	220V PE -92/6307
*	1	472 9902-52	Door locking device	Lucklås	1,2	120V PE 92/6308-93/12079
*	1	472 9902-53	Door locking device	Lucklås	1,2	220V PE 92/6308-93/12079
*	1	472 9902-50	Door locking device	Lucklås	1,2	120V P3 -93/12079
*	1	472 9902-51	Door locking device	Lucklås	1,2	220V P3 -93/12079
*	1	472 9902-61	Door locking device	Lucklås	1,2	240V FL- -95/23226
*	1	438 3056-04	Door locking device	Lucklås	1,2	240V FL 95/23227-
*	1	472 9902-66	Door locking device	Lucklås	1,2	240V FL/MP, -94/20568
*	1	438 3056-04	Door locking device	Lucklås	1,2	240V FL/MP 94/20569-
* 25	1	471 8197-02	Rubber strip	Gummilist	1	
* 26	1	471 7651-16	Warning sign	Varningsskylt	3	Swedish
*	1	471 7651-17	Warning sign	Varningsskylt	3	English
*	1	471 7651-18	Warning sign	Varningsskylt	3	German
*	1	471 7651-19	Warning sign	Varningsskylt	3	French
*	1	471 7651-20	Warning sign	Varningsskylt	3	Italian
*	1	471 7651-21	Warning sign	Varningsskylt	3	Spanish
*	1	471 7651-22	Warning sign	Varningsskylt	3	Finnish
*	1	471 7651-23	Warning sign	Varningsskylt	3	Danish
*	1	471 7651-24	Warning sign	Varningsskylt	3	Norwegian
*	1	471 7651-25	Warning sign	Varningsskylt	3	Russian
*	1	471 7651-26	Warning sign	Varningsskylt	3	Czech
*	1	471 7651-27	Warning sign	Varningsskylt	3	Polish
*	1	471 7651-28	Warning sign	Varningsskylt	3	Dutch



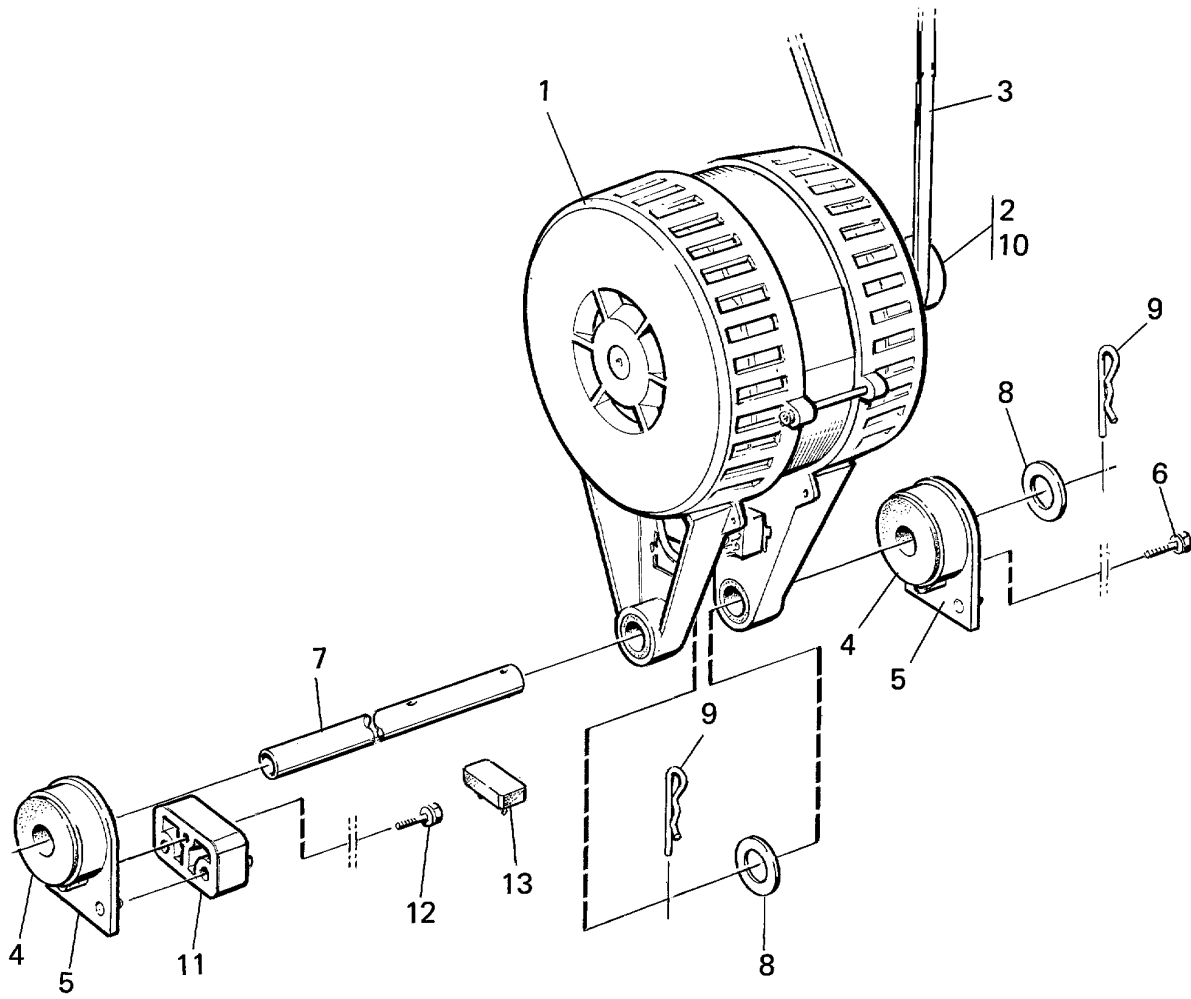
1203,1203E,1203PCO,1203PEC,FL160,FL160MP,W160,W160CC,W160MP**Back plate with inner drum**

Illustration Issue Month Year

Illustration Utgåva Månad År

Bakgavel med innertrumma**100985/4****10****4****2003**

Item Pos.	Quantity Antal	Art.No Art.nr	Description	Benämning	Info Info	Notes Anmärkning
			1203,1203E,W160,W160MP			
			W160CC			
			1203PCO,1203PEC,FL160,FL160MP			
1	1	1	438 0289-03 Back plate	Bakgavel	1	Complete
	1	1	438 0289-04 Back plate	Bakgavel	1	Ø10MM Complete
2	1		472 9902-33 •Back plate	•Bakgavel	3	
	1	1	438 0248-01 •Back plate	•Bakgavel	3	
3	1	1	471 4827-01 •Plate	•Plåt	3	
4	1	1	471 2574-01 •Gasket	•Packning	1	
5	1	1	471 2459-34 •Washer	•Bricka	3	
6	6	6	471 8311-00 •Screw	•Skruv	3	M6SFTT 5X16
7	1	1	438 0256-01 •Inner drum	•Innertrumma	1	
	1	1	438 0256-02 •Inner drum	•Innertrumma	1	Ø10MM
8	1		472 9902-19 •Repair kit	•Renoveringssats	1,2	-91/3840
	1		472 9902-08 •Repair kit	•Renoveringssats	1,2	91/3841-
	1	1	472 9902-08 •Repair kit	•Renoveringssats	1,2	
9	1	1	••Bushing	••Bussning		
10	3	3	••Sealing ring	••Tätningring		
11	1	1	471 2451-80 ••Strip	••List	3	
12	1		••Ball bearing	••Kullager		
	1	1	••Ball bearing	••Kullager		
13	1		••Spacer	••Distans		
	1	1	••Spacer	••Distans		
14	1	1	••C-clamp	••Spårring		
15	1		••C-clamp	••Spårring		
16	1	1	••Ball bearing	••Kullager		
17	1		••C-clamp	••Spårring		
18	1	1	••C-clamp	••Spårring		
19	1	1	438 0264-01 •Bearing housing	•Lagerhus	3	
	1		471 4918-01 •Bearing housing	•Lagerhus	3	-91/3840
	1		438 0264-01 •Bearing housing	•Lagerhus	3	91/3841-
20	6	6	725 2544-71 •Screw	•Skruv	3	M12X60
21	6	6	734 1178-01 •Washer	•Bricka	3	BRB 13X24
22	1	1	471 2539-03 •Pulley	•Remskiva	3	
22A	2	2	471 9560-01 •Magnet	••Magnet	1	
23	1	1	735 9435-01 •Wedge	•Kil	1	
24	1	1	438 0456-01 •Nipple	•Nippel	1	
25	1	1	471 2440-10 •Gasket	•Packning	1	
26	1	1	438 0457-01 •Nut	•Mutter	1	
27	2	2	438 4101-01 •Nipple	•Nippel	1	
28	2	2	471 2441-44 •Gasket	•Packning	1	
29	2	2	438 4100-01 •Nut	•Mutter	1	
30	1	1	471 2416-83 Hood	Huv	3	
31	1	1	736 2825-51 Hose clamp	Slangklämma	3	Ø32
32	2	2	471 2071-37 Tension strap	Spännband	3	
33	2	2	471 9222-59 Screw	Skruv	3	M8X140
34	4	4	471 8502-14 Washer	Bricka	3	BRB 8,4X17
35	2	2	732 2118-01 Locking nut	Låsmutter	3	M8
36		1	471 2095-32 Air chamber	Luftdosa	1	
37		1	471 2401-52 Nipple	Nippel	3	
38		1	471 2436-10 Hose	Slang	1	L=800



100871

Issue	Month	Year
02	05	91

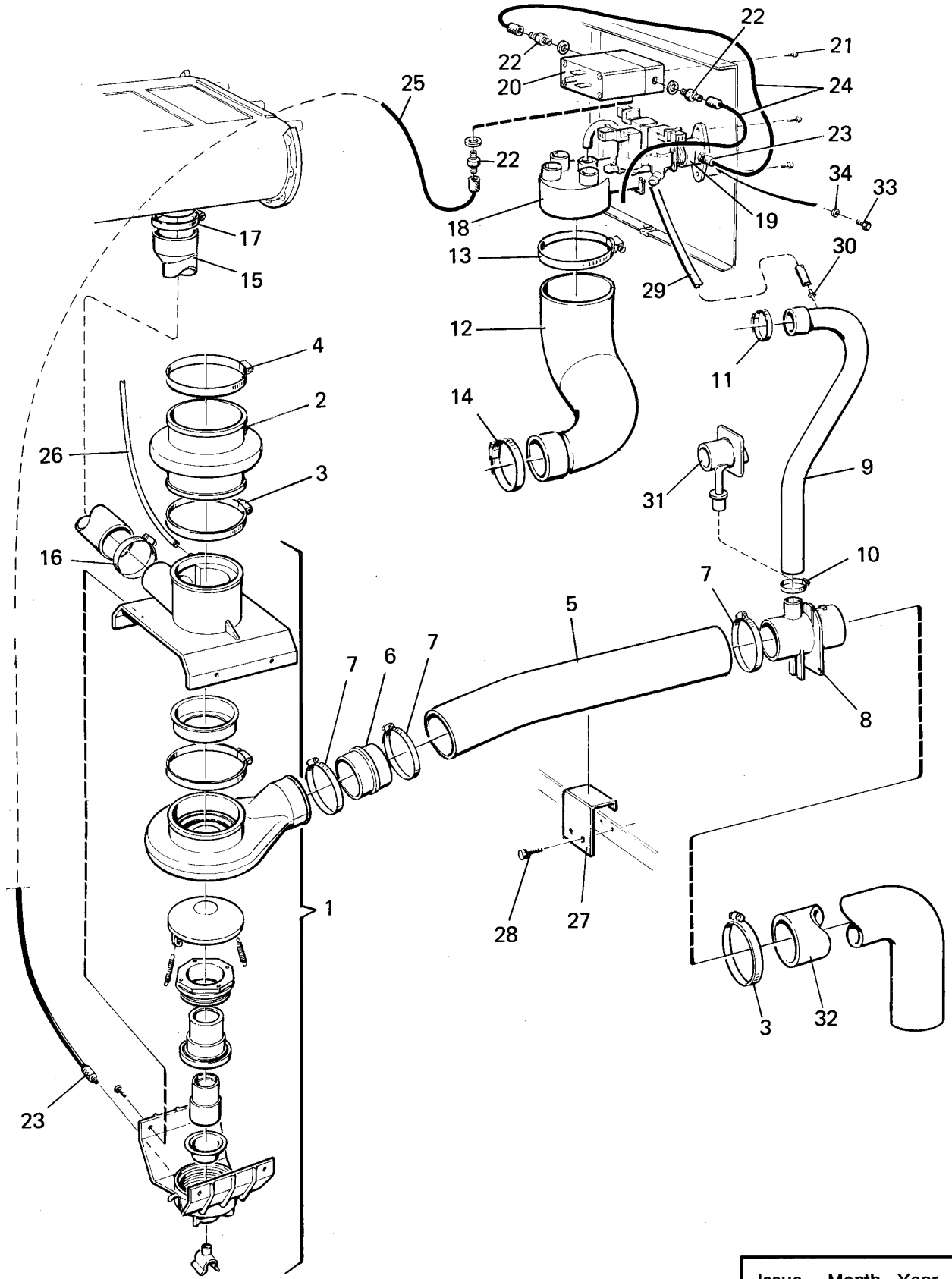
1203,1203E,1203PCO,1203PEC,FL160,FL160MP,W160,W160CC,W160MP**Motor and motor suspension**

Illustration Issue Month Year

Illustration Utgåva Månad År

Motor och motorupphängning**100871/5 14 2 2003**

Item Pos.	Qua. Ant.	Art.No Art.nr	Description	Benämning	Info Info	Notes Anmärkning
1	1	471 9739-51	Motor	Motor	1,2	380-415V 50Hz/415-480V 60Hz 3AC
	1	471 9739-52	Motor	Motor	1,2	190-200V 50Hz/200-240V 60Hz 3AC
	1	471 9739-54	Motor	Motor	1,2	220-240V 50Hz 1AC
	1	472 9911-27	Motor	Motor	1,2	230V/380-415V 50Hz 3AC
	1	472 9911-28	Motor	Motor	1,2	380-400V/230V 60Hz 3AC, 346V 50Hz 3AC
	1	472 9901-03	Motor	Motor	1,2	208-240V 1AC 60Hz -91/3840
	1	471 9739-57	Motor	Motor	1,2	208-240V 1AC 60Hz, 91/3841-
2	1	438 0240-01	Pulley	Remskiva	1,2	50Hz
	1	438 0240-03	Pulley	Remskiva	1,2	60Hz
	1	438 0240-04	Pulley	Remskiva		50Hz Two track
	1	438 0240-05	Pulley	Remskiva		60Hz Two track
3	RQ	471 9007-62	V-belt	Kilrem	1,2	
4	2	438 0489-01	Damper	Dämpare	3	
5	2	438 0014-01	Bracket	Hållare	3	
6	2	725 2370-61	Screw	Skruv	3	M6SF 6X20
7	1	438 0016-03	Pipe	Rör	3	3AC
	1	438 0016-04	Pipe	Rör	3	1AC -91/3640
	1	438 0016-06	Pipe	Rör	3	1AC 91/3641-
8	2	471 8502-24	Washer	Bricka	3	12x35
9	2	471 7867-01	Pin	Sprint	3	
10	2	728 8362-01	Screw	Skruv	3	SK6SS 6X8
11	1	438 0298-02	Spacer	Distans	3	
12	1	725 2380-61	Screw	Skruv	3	M6SF-TT 6X50
13	1	471 2437-15	Plug	Propp	3	



100872

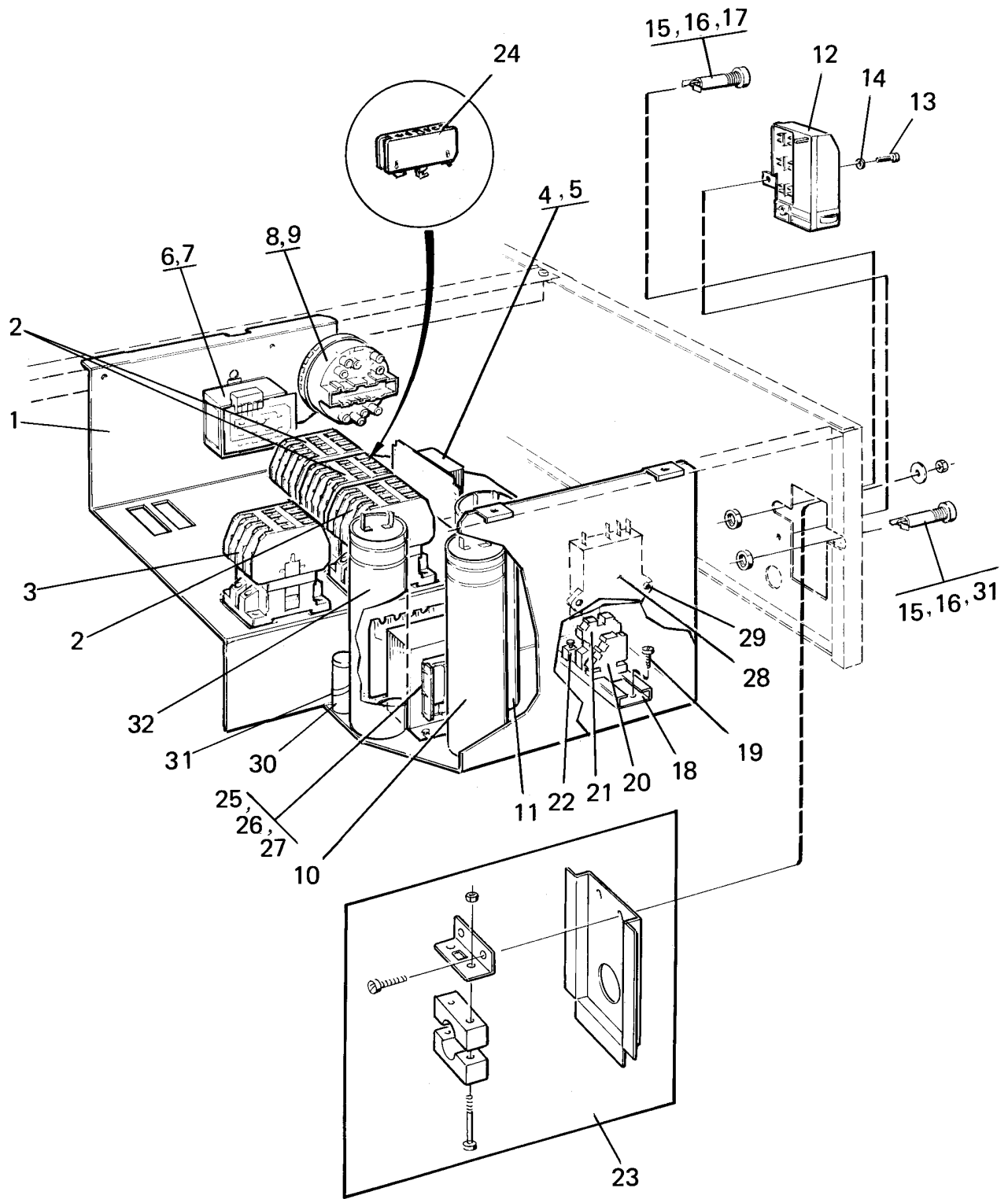
Issue	Month	Year
05	09	97

1203,1203E,1203PCO,1203PEC,FL160,FL160MP,W160,W160CC,W160MP**Drain valve and hoses**

Illustration	Issue	Month	Year
Illustration	Utgåva	Månad	År
100872/6	17	2	2003

Avloppsventil och slangar

Item Pos.	Quantity Antal	Art.No Art.nr	Description	Benämning	Info Info	Notes Anmärkning
			1203,1203E,W160,W160CC,W160MP			
			1203PCO,1203PEC,FL160,FL160MP			
1	1	438 0093-01	Drain valve	Avloppsventil	1,2	Complete Complete See group 8107
	1	472 8754-10	Drain valve	Avloppsventil	1,2	230V See group 8108
	1	472 8754-11	Drain valve	Avloppsventil	1,2	100V 50Hz,120V 60Hz See group 8108
2	1	471 2904-01	Connection	Stos	1,2	
3	1	736 2849-51	Hose clamp	Slangklämma	3	Ø77-93
4	1	736 2852-51	Hose clamp	Slangklämma	3	Ø93-110
5	1	438 0244-01	Hose	Slang	1,2	
6	1	438 0083-01	Joint sleeve	Skarvhylsa	3	
7	3	736 2846-51	Hose clamp	Slangklämma	3	Ø73-83
8	1	438 0084-03	Drain pipe connection	Avloppsstos	3	-92/6307 93/10305-
	1	438 0084-03	Drain pipe connection	Avloppsstos	3	93/10305-
	1	438 0084-02	Connection	Stos	3	-93/10304
	1	438 0084-02	Connection	Stos	3	92/6308-93/10304
9	1	438 0246-01	Hose	Slang	1,2	-92/6307 93/10305-
	1	438 0246-01	Hose	Slang	1,2	93/10305-
	1	438 0383-01	Hose	Slang	1,2	-93/103304
10	1	736 2831-51	Hose clamp	Slangklämma	3	Ø36-42
11	1	736 2840-51	Hose clamp	Slangklämma	3	Ø50-63
12	1	438 0243-01	Hose	Slang	01.	
13	1	736 2849-51	Hose clamp	Slangklämma	3	Ø77-93
14	1	736 2840-51	Hose clamp	Slangklämma	3	Ø50-63
15	1	438 0245-01	Hose	Slang	1,2	
16	1	736 2837-51	Hose clamp	Slangklämma	3	Ø48-54
17	1	736 2840-51	Hose clamp	Slangklämma	3	Ø50-63
18	1	471 4516-03	Air inlet	Luftintag	3	
19	1	438 0056-03	Nipple	Nippel	3	Black, 3/4"
	1	438 0056-04	Nipple	Nippel	3	White, 3/4", USA
20	1	471 8243-04	Solenoid valve	Magnetventil	1,2	230V 50Hz
	1	471 8243-05	Solenoid valve	Magnetventil	1,2	208-240V 60Hz
	1	471 8243-06	Solenoid valve	Magnetventil	1,2	120V 60Hz
21	2	471 8341-13	Screw	Skruv	3	MRT 4X10
22	3	471 8688-12	Nipple	Nippel	3	1/4"
	1	471 8688-01	Nipple	Nippel	3	M5
23	2	471 8688-13	Nipple	Nippel	3	1/8"
24	2	471 8139-01	Hose	Slang	1,2	L=330 L=330
25	1	471 8139-03	Hose	Slang	1,2	L=1450
26	1	471 8118-07	Hose	Slang	1,2	L=1325 L=1275
	1	472 2440-40	Hose	Slang	1,2	L=1400, FL-MP
	1	438 0383-01	Hose	Slang	1,2	92/6308-93/10304
27	1	438 0242-01	Support	Stöd	3	
28	2	735 2366-61	Screw	Skruv	3	M6X12
29	1	471 8121-01	Hose	Slang	1	L=850
30	1	471 2432-25	Hose nipple	Slangnippel	1	
31	1	438 0366-01	Hose nipple	Slangnippel	1	-93/10399
32	1	471 4835-01	Drain hose	Avlopps slang	1	Ø75
33	1	741 5109-25	Plug	Propp	3	
34	1	740 4207-00	O-ring	O-ring	3	



1203,1203E,W160MP -92/6308,W160 -92/6308

Electrical components and level control

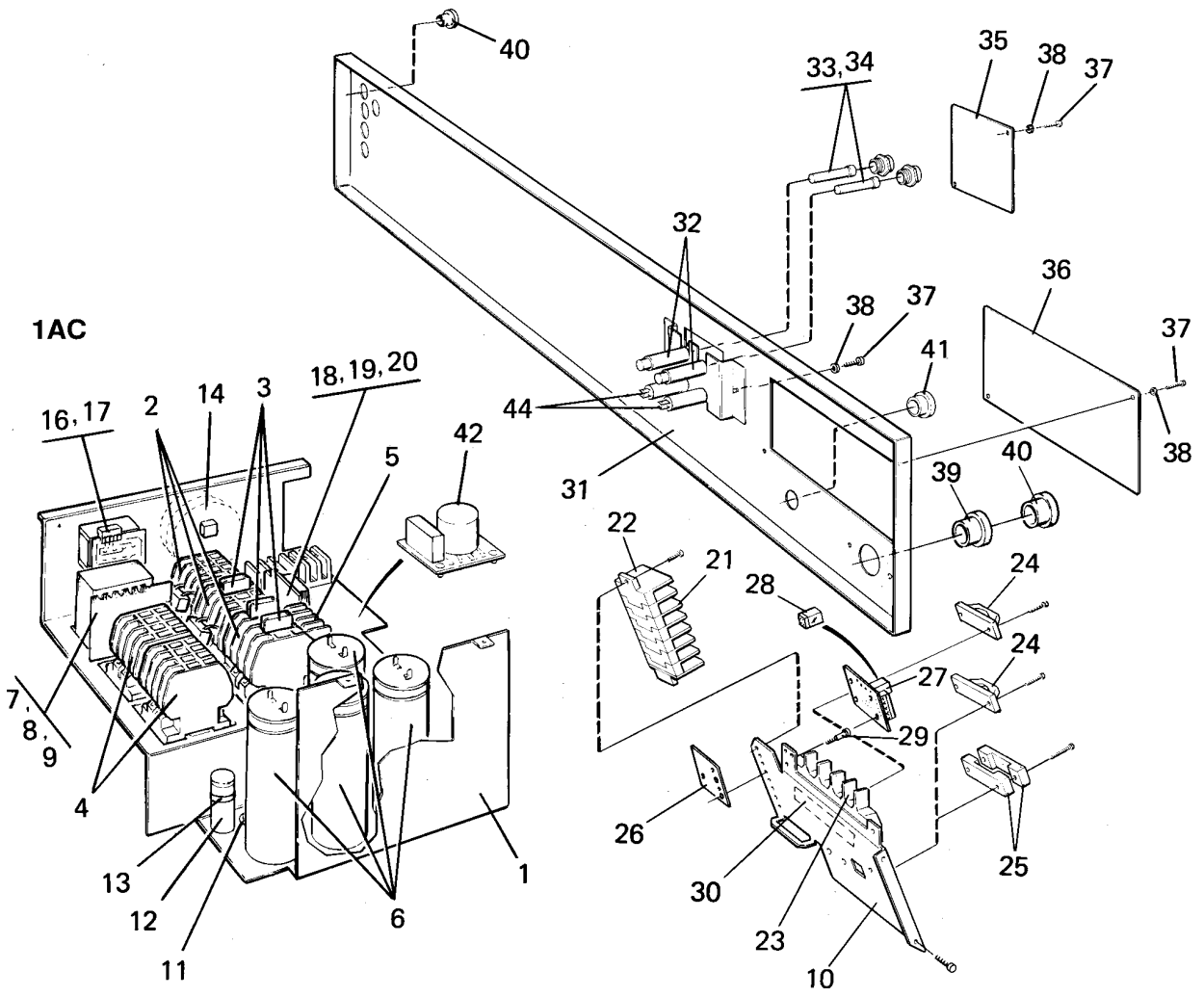
Illustration Issue Month Year

Illustration Utgåva Månad År

Elkomponenter och nivågivare

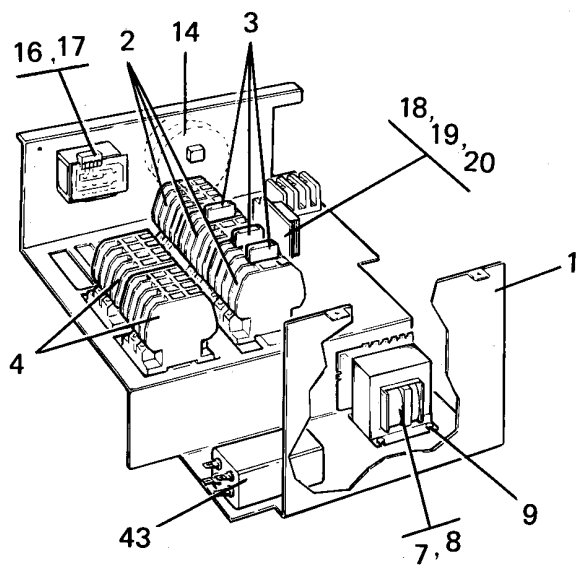
100694 13 1 2003

Item Pos.	Qua. Ant.	Art.No Art.nr	Description	Benämning	Info Info	Notes Anmärkning
1	1	438 0044-01	Mounting plate	Monteringsplåt	3	
2	3	438 9636-03	Contactora	Kontaktor	1,2	60Hz
	3	438 9636-02	Contactora	Kontaktor	1,2	50Hz
	3	438 9636-01	Contactora	Kontaktor	1,2	110V 60Hz PE03
3	1	438 9636-02	Contactora	Kontaktor	1,2	50Hz HEATING
	1	438 9636-72	Contactora	Kontaktor	1,2	50Hz, K3-22 Heating
	1	438 9636-03	Contactora	Kontaktor	1,2	60Hz HEATING
	1	438 9636-73	Contactora	Kontaktor	1,2	60Hz Heating
4	1	471 9559-03	Transformer	Transformator	1,2	1"
5	3	471 8340-12	Screw	Skruv	3	RTS 3,5X9,5
6	1	471 8803-24	Thermostat	Termostat	1,2	30,40,60,90 DEGR.
	1	471 8803-28	Thermostat	Termostat	1,2	30,40,60,80 DEGR.
7	2	471 8341-11	Screw	Skruv	3	MRT 4X6
8	1	471 8859-02	Level control	Nivåkontroll	1,2	
	1	471 8859-54	Level control	Nivåkontroll	1,2	P02,JAPAN
9						Not used
10	1	471 9525-25	Capacitor	Kondensator	1,2	130MF
11	1	471 9525-21	Capacitor	Kondensator	1,2	50MF
12	1	471 8742-01	Terminal connection	Inkopplingsplint	3	-91/2765
13	1	471 8340-23	Screw	Skruv	3	RTS 4,2X13 -91/2765
14	1	735 2136-01	Lock washer	Låsbricka	3	AZ 4,3 4,3, -91/2765
15	RQ	471 8756-01	Fuse holder	Säkringshållare	1,2	5X20 MM
16	RQ	471 8756-52	Insert	Insats	1,2	6,3X32MM,60Hz -96/30406
	RQ	471 8756-51	Insert	Insats	1,2	5X20MM
17	RQ	471 9027-85	Fuse	Säkring	1,2	60Hz -96/30406
	RQ	471 8750-11	Fuse	Säkring	1,2	1,25A
18	1	472 6847-09	Rail	Skena	3	91/2766-
19	2	471 8346-12	Screw	Skruv	3	91/2766-
20	1	762 7146-90	End support	Ändstöd	3	91/2766-
21	1	471 8702-02			3	91/2766-
22	1	762 7110-80	Ground connection	Jordningsplint	002	91/2766-
23	1	438 0235-10	Cable clamp	Kabelavlastare	3	91/2766-
24	RQ	767 5102-92	Auxiliary contact	Hjälpkontakt	1,2	HN01 Red HN-01
	RQ	767 5802-09	Auxiliary contact	Hjälpkontakt	1,2	Green HA-01
25	1	471 9565-03	Transformer	Transformator	1,2	PRIM.200,346,380,400,480V SEC.220V
26	1	762 8151-91	•Fuse	•Säkring	1,2	5X20MM, 0,315A
27	2	471 8340-13	Screw	Skruv	3	RTS 3,5X13
28	1	472 9902-22	Relay	Relä	1,2	-92/5693
29	2	471 8340-13	Screw	Skruv	3	RTS 3,5X13
30	1	471 9566-05	Sinpac	Sinpac	3	208-240V 92/5694-
	1	471 9566-01	Relay	Relä	1,2	120V 92/5694-
31	1	762 9112-07	Strap	Band	3	
32	1	471 9525-22	Capacitor	Kondensator	3	100 MF



1AC

3AC



1203,1203E,W160MP 92/6309-,W160 92/6309-

Electric components

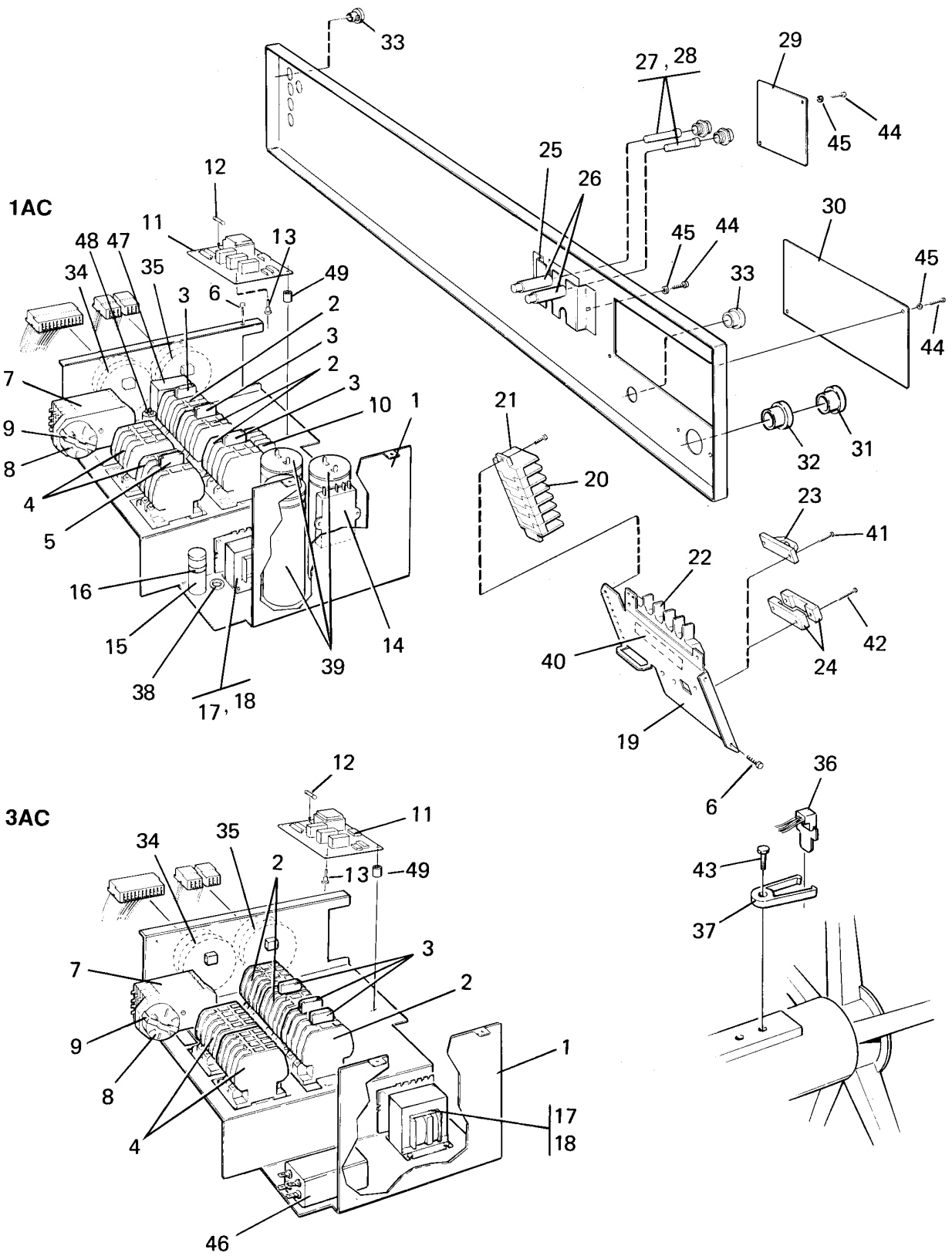
Illustration Issue Month Year

Illustration Utgåva Månad År

Elkomponenter

101330 6 1 2003

Item Pos.	Qua. Ant.	Art.No Art.nr	Description	Benämning	Info Info	Notes Anmärkning
1	1	438 0353-01	Mounting plate	Monteringsplåt	3	
2	RQ	438 9636-02	Contactora	Kontaktor	1,2	50Hz
	RQ	438 9636-03	Contactora	Kontaktor	1,2	60Hz
	1	438 9636-72	Contactora	Kontaktor	1,2	50Hz, K3-22
	1	438 9636-73	Contactora	Kontaktor	1,2	60Hz
3	RQ	767 5102-92	Auxiliary contact	Hjälpkontakt	1,2	HN01 Red
	RQ	767 5101-92	Auxiliary contact	Hjälpkontakt	1,2	HN10 Green
4	1	438 9636-02	Contactora	Kontaktor	1,2	50Hz Heating
	1	438 9636-03	Contactora	Kontaktor	1,2	60Hz Heating
	RQ	767 5101-92	Auxiliary contact	Hjälpkontakt	1,2	HN10 Green
5	1	471 9604-04	Motor cover	Motorskydd	1,2	
6	RQ	471 9525-27	Capacitor	Kondensator	1	30MF
	RQ	471 9525-21	Capacitor	Kondensator	1	50MF
	RQ	471 9525-22	Capacitor	Kondensator	1	100 MF
	RQ	471 9525-23	Capacitor	Kondensator	1	200MF
7	1	471 9565-03	Transformer	Transformator	1	PRIM.200,346,380,400,480V
8	1	762 8151-91	•Fuse	•Säkring	1,2	5X20MM, 0,315A
9	7	471 8342-13	Screw	Skruv	3	MRT-TT 4X10
10	1	438 0354-01	Mounting plate	Monteringsplåt	3	
	1	438 0354-02	Mounting plate	Monteringsplåt	3	El. heated
11	1	762 1191-10	Grommet	Genomföring	3	
12	1	471 9566-05	Sinpac	Sinpac	1,2	208-240V
	1	471 9566-01	Relay	Relä	1,2	120V
13	1	762 9112-07	Strap	Band	3	
14	1	471 8859-54	Level control	Nivåkontroll	1,2	P02 JAPAN
	1	471 8859-02	Level control	Nivåkontroll	1,2	
15						Not used
16	1	471 8803-24	Thermostat	Termostat	1,2	30,40,60,90 DEGREE C
	1	471 8803-28	Thermostat	Termostat	1,2	30,40,60,80 DEGR.
17	2	471 8341-11	Screw	Skruv	3	MRT 4X6
18	1	471 9558-03	Transformer	Transformator	1	MP
19	1	472 9913-43	Clamp	Bygel	3	Kit 25 pcs
20	2	471 8342-13	Screw	Skruv	3	MRT-TT 4X10
21	7	471 8760-01	Block	Plint	3	
22	1	471 8760-02	End support	Ändstöd	3	
23	1	471 8759-01	Block	Plint	3	
24	1	471 7865-03	Cable clip	Kabelhållare	3	
25	2					Not used
26	1	438 0439-01	Bracket	Konsol	3	
27	1	438 3058-01	Printed circuit board	Kretskort	1,2	
28	1	471 9649-01	Relay	Relä	1,2	
29	3	471 7958-01	Support	Stöd	3	
30	1	471 7671-01	Sign	Skylt	3	L1,L2,L3,N
31	1	438 0355-01	Mounting plate	Monteringsplåt	3	
32	RQ	471 8756-01	Fuse holder	Säkringshållare	1	5X20 MM
33	RQ	471 8756-51	Insert	Insats	1	5X20MM
	RQ	471 8756-52	Insert	Insats	1	6,3X32MM,60Hz -96/30406
34	RQ	471 8750-11	Fuse	Säkring	1,2	1,25A
	RQ	471 9027-85	Fuse	Säkring	1,2	60Hz -96/30406
35	1	438 0358-02	Cover	Lock	3	
36	1	438 0359-01	Cover	Lock	3	
37	6	471 8340-23	Screw	Skruv	3	RTS 4,2X13
38	6	735 2136-01	Lock washer	Låsbricka	3	AZ 4,3
39	1	471 8708-01	Plug	Plugg	3	Ø37MM -94/55602
	1	762 1215-10	Grommet	Genomföring	3	Ø48/35mm 94/55603-
40	1	471 7967-02	Grommet	Genomföring	3	94/55603-
41	6	471 7967-02	Grommet	Genomföring	3	
42						Not used
43	1	471 9529-05	LC-filter	LC-filter	1	3AC



Issue	Month	Year
06	09	95

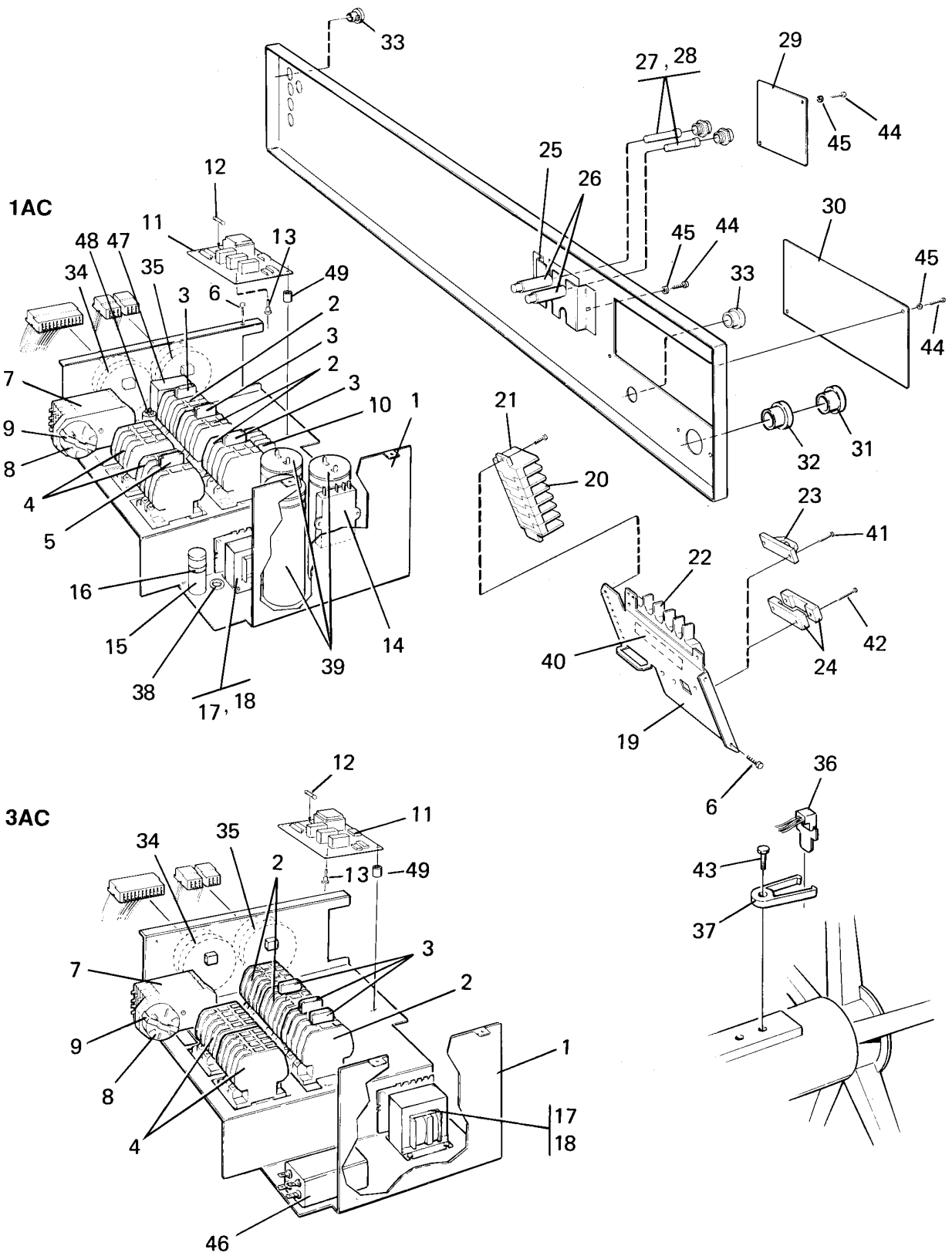
1203PCO,FL160**Electrical components and level control**

Illustration Issue Month Year

Illustration Utgåva Månad År

Elkomponenter och nivågivare**100976/7 21 2 2003**

Item Pos.	Qua. Ant.	Art.No Art.nr	Description	Benämning	Info Info	Notes Anmärkning
1	1	438 0353-01	Mounting plate	Monteringsplåt	3	
2	3	438 9636-02	Contactora	Kontaktor	1,2	50Hz
	3	438 9636-03	Contactora	Kontaktor	1,2	60Hz
	3	438 9636-72	Contactora	Kontaktor	1,2	50Hz, K3-22
	3	438 9636-73	Contactora	Kontaktor	1,2	60Hz
3	RQ	767 5101-92	Auxiliary contact	Hjälpkontakt	1,2	HN10 Green
	RQ	767 5102-92	Auxiliary contact	Hjälpkontakt	1,2	HN01 Red HN-01
	RQ	767 5802-09	Auxiliary contact	Hjälpkontakt	1,2	Green HA-01
4	2	438 9636-02	Contactora	Kontaktor	1,2	50Hz Heating
	2	438 9636-03	Contactora	Kontaktor	1,2	60Hz Heating
5						Not used
6	7	471 8342-13	Screw	Skruv	3	MRT-TT 4X10
7	1	471 8954-03	Reverser	Reverserare	1,2	50Hz
	1	471 8954-04	Reverser	Reverserare	1,2	60Hz
8	1	471 6661-51	•Motor	•Motor	1,2	NEW TIMER 230V 60Hz
	1	471 6654-55	•Motor	•Motor	1,2	NEW TIMER 220V 50Hz
9	1	471 6661-53	•Clamp	•Bygel	3	
10	1	471 9604-04	Motor cover	Motorskydd	1,2	
11	1	472 9902-73	Speed control	Varvtalsvakt	1,2	Kit -95/26626
	1	471 8983-31	Speed control	Varvtalsvakt	1,2	95/26627-
12	1	762 8139-91	•Fuse	•Säkring	1,2	0,08A
13	4	471 7958-01	Support	Stöd	3	
14	1	472 9902-22	Relay	Relä	1,2	-92/5693
15	1	471 9566-05	Sinpac	Sinpac	1,2	208-240V 92/5694-
	1	471 9566-01	Relay	Relä	1,2	120V 92/5694-
16	1	762 9112-07	Strap	Band	3	
17	1	471 9565-03	Transformer	Transformator	1,2	PRIM.200,346,380,400,480V
18	1	762 8151-91	•Fuse	•Säkring	1,2	5X20MM, 0,315A
19	1	438 0354-02	Mounting plate	Monteringsplåt	3	EL.HEATED
	1	438 0354-01	Mounting plate	Monteringsplåt	3	
20	7	471 8760-01	Block	Plint	1	
21	1	471 8760-02	End support	Ändstöd	3	
22	1	471 8759-01	Block	Plint	3	
23	1	471 7865-03	Cable clip	Kabelhållare	3	
24	1	471 7859-11	Clamp	Klämma	3	Lower
	1	471 7859-16	Clamp	Klämma	3	Upper part Upper
25	1	438 0355-01	Mounting plate	Monteringsplåt	3	
26	RQ	471 8756-01	Fuse holder	Säkringshållare	1	5X20 MM
27	RQ	471 8756-51	Insert	Insats	1	5X20MM
	RQ	471 8756-52	Insert	Insats	1	6,3X32MM,60Hz -96/30406
28	RQ	471 9027-85	Fuse	Säkring	1,2	60Hz -96/30406
	RQ	471 8750-11	Fuse	Säkring	1,2	1,25A
29	1	438 0358-02	Cover	Lock	3	
30	1	438 0359-01	Cover	Lock	3	
31	1	471 7967-02	Grommet	Genomföring	3	93/17473-
32	1	471 8708-01	Plug	Plugg	3	Ø37MM -93/17472
	1	762 1215-10	Grommet	Genomföring	3	Ø48/35mm 93/17473-
33	6	471 7967-02	Grommet	Genomföring	3	
34	1	471 8859-51	Level control	Nivåkontroll	1,2	
35	1	471 8859-06	Level control	Nivåkontroll	1,2	
36	1	471 8985-01	Sensor	Givare	1,2	
37	1	438 0363-01	Bracket	Hållare	3	
38	1	762 1191-10	Grommet	Genomföring	3	
39	RQ	471 9525-27	Capacitor	Kondensator	1	30MF
	RQ	471 9525-21	Capacitor	Kondensator	1	50MF
	RQ	471 9525-22	Capacitor	Kondensator	1	100 MF
	RQ	471 9525-23	Capacitor	Kondensator	1	200MF
40	1	471 7671-01	Sign	Skylt	3	
41	2	471 8346-06	Screw	Skruv	3	3,5X25



Issue	Month	Year
06	09	95

1203PCO,FL160**Electrical components and level control**

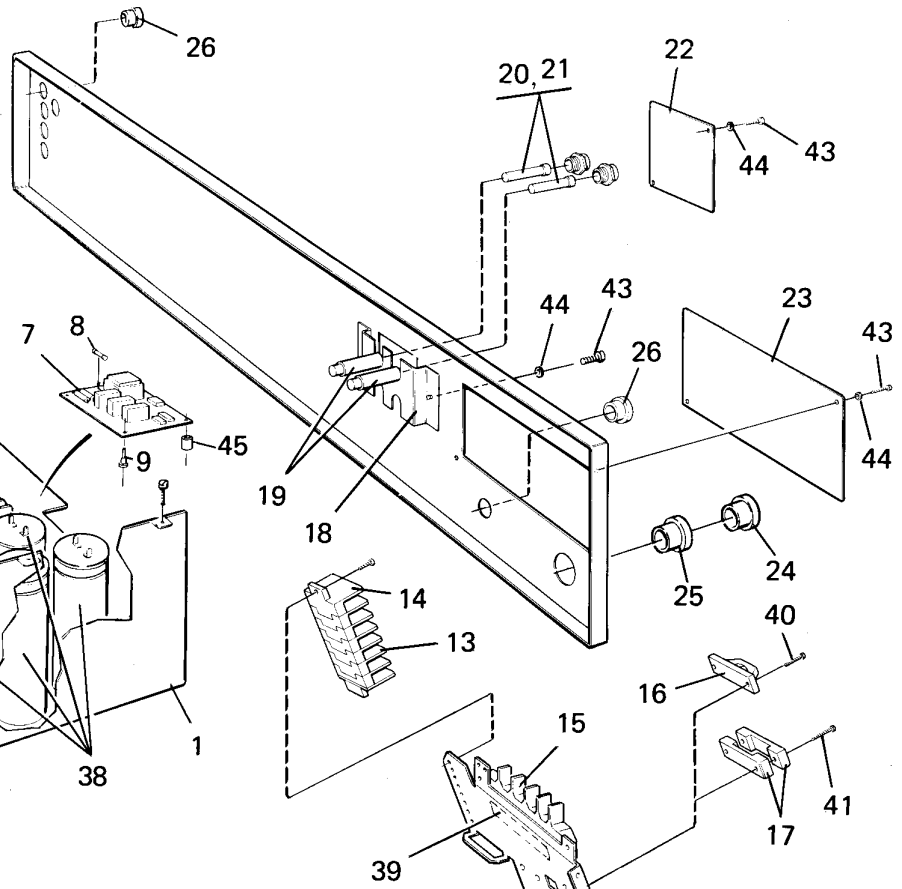
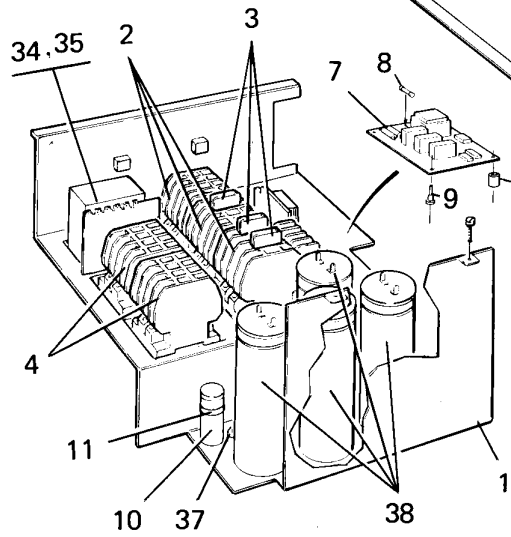
Illustration Issue Month Year

Illustration Utgåva Månad År

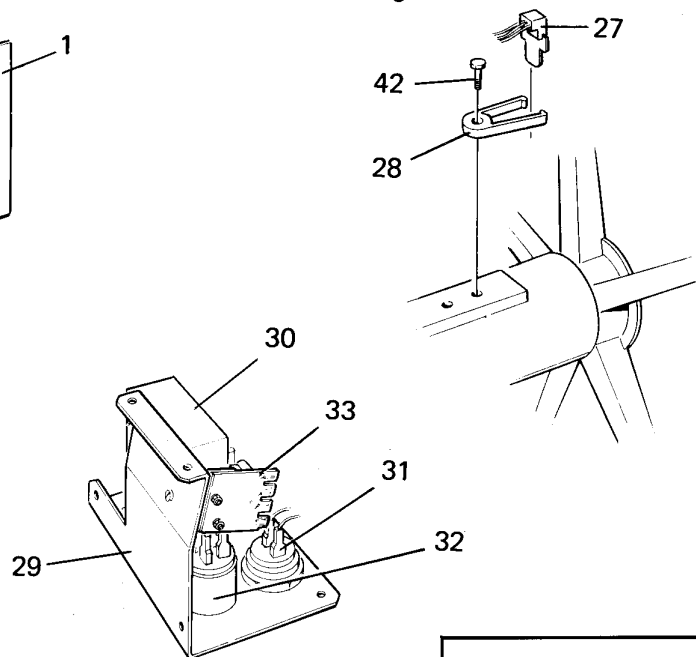
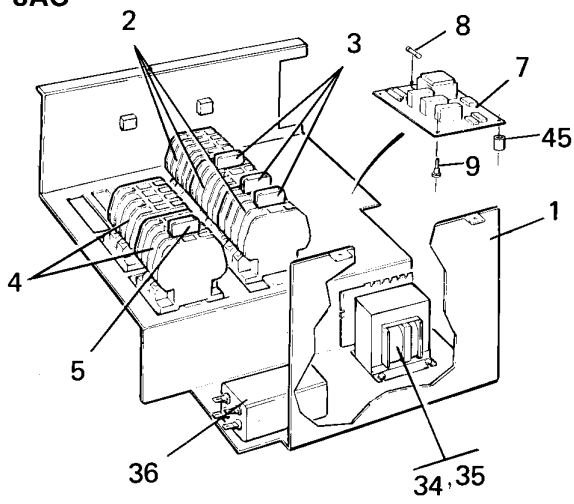
Elkomponenter och nivågivare**100976/7 21 2 2003**

Item Pos.	Qua. Ant.	Art.No Art.nr	Description	Benämning	Info Info	Notes Anmärkning
42	2	471 8341-19	Screw	Skruv	3	M4X40
43	1	725 2370-61	Screw	Skruv	3	M6SF 6X20
44	6	471 8340-23	Screw	Skruv	3	RTS 4,2X13
45	6	735 2136-01	Lock washer	Låsbricka	3	AZ 4,3 4,3
46	1	471 9529-05	LC-filter	LC-filter	1	3AC
47	1	471 9649-05	Relay	Relä	1,2	95/23227-
48	1	471 9649-04	Socket	Socket	1	95/23227-
49	1	471 8526-01	Spacer	Distans	3	

1AC



3AC



1203PEC,FL160MP**Electric components**

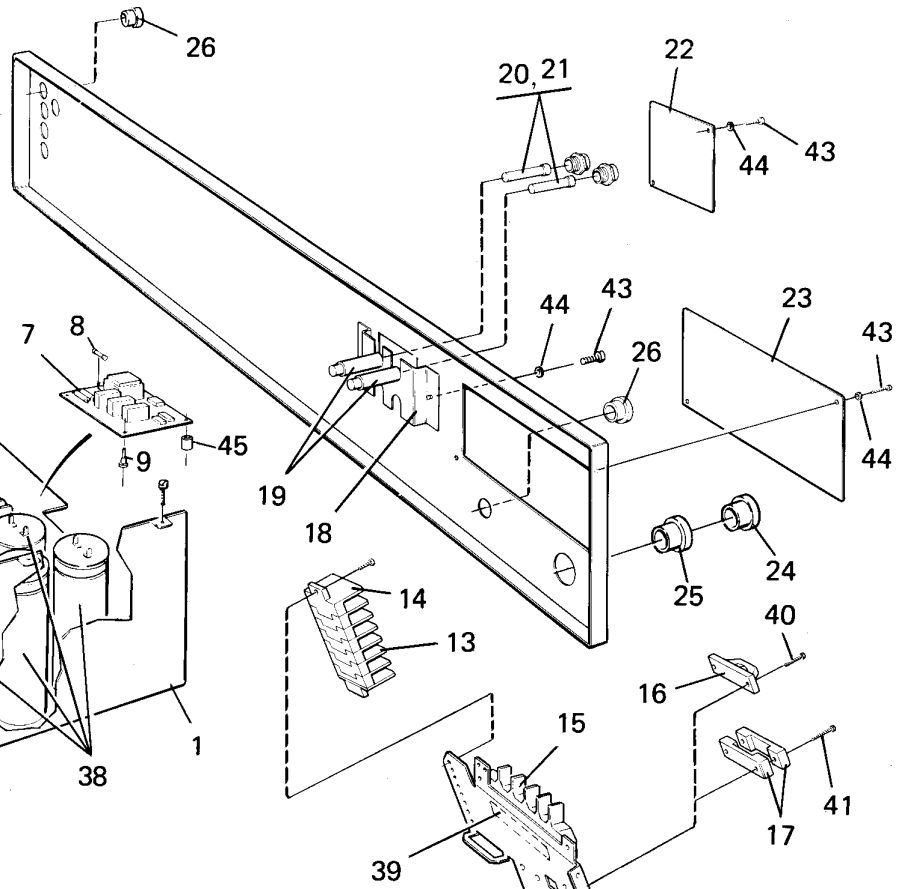
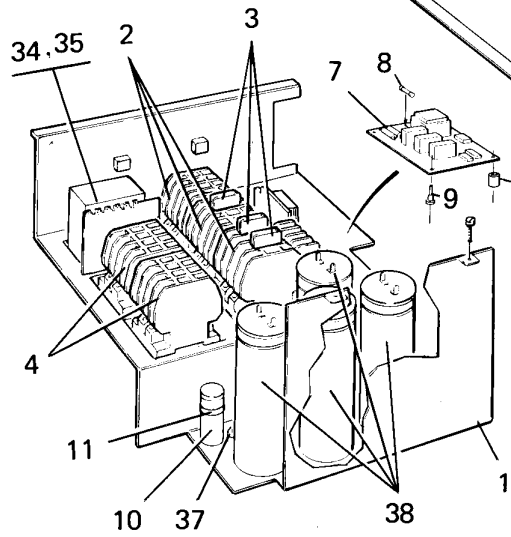
Illustration Issue Month Year

Illustration Utgåva Månad År

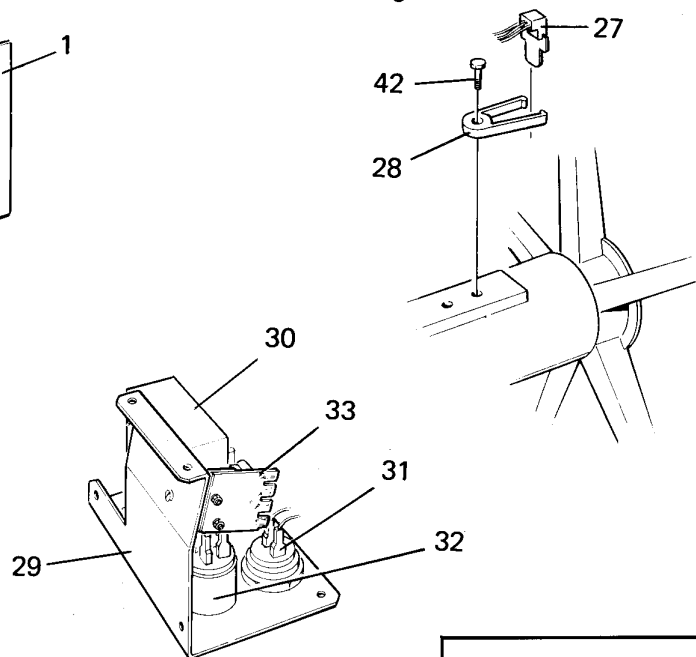
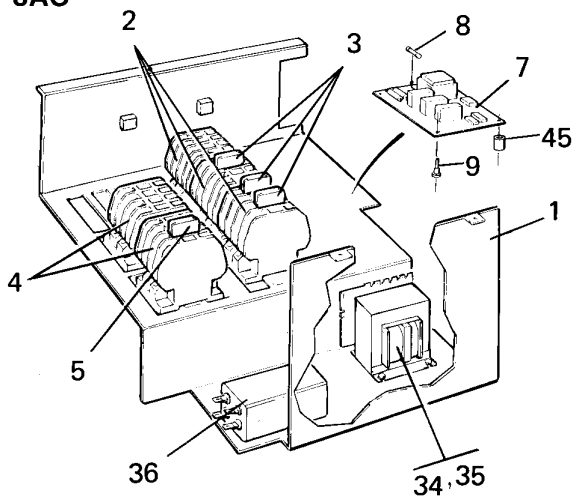
Elkomponenter**101335 6 2 2003**

Item Pos.	Qua. Ant.	Art.No Art.nr	Description	Benämning	Info Info	Notes Anmärkning
1	1	438 0353-01	Mounting plate	Monteringsplåt	3	
2	3	438 9636-02	Contactator	Kontaktor	1,2	50Hz
	3	438 9636-03	Contactator	Kontaktor	1,2	60Hz
	3	438 9636-72	Contactator	Kontaktor		50Hz, K3-22
	3	438 9636-73	Contactator	Kontaktor		60Hz
3	RQ	767 5101-92	Auxiliary contact	Hjälpkontakt	1,2	HN10 Green
	RQ	767 5102-92	Auxiliary contact	Hjälpkontakt	1,2	HN01 Red HN-01
	RQ	767 5802-09	Auxiliary contact	Hjälpkontakt	1,2	Green HA-01
4	1	438 9636-02	Contactator	Kontaktor	1,2	50Hz Heating
	1	438 9636-03	Contactator	Kontaktor	1,2	60Hz Heating
5	2	471 9672-01	Auxiliary contact	Hjälpkontakt	1,2	
6	7	471 8342-13	Screw	Skruv	3	MRT-TT 4X10
7	1	472 9902-72	Speed control	Varvtalsvakt	1,2	Kit -95/26626
	1	471 8983-31	Speed control	Varvtalsvakt	1,2	95/26627-
8	1	762 8139-91	•Fuse	•Säkring	1,2	0,08A
9	4	471 7958-01	Support	Stöd	3	
10	1	471 9566-05	Sinpac	Sinpac	1,2	208-240V
	1	471 9566-01	Relay	Relä	1,2	120V
11	1	762 9112-07	Strap	Band	3	
12	1	438 0354-01	Mounting plate	Monteringsplåt	3	
13	7	471 8760-01	Block	Plint	3	
14	1	471 8760-02	End support	Ändstöd	3	
15	1	471 8759-01	Block	Plint	3	
16	1	471 7865-03	Cable clip	Kabelhållare	3	
17	1	471 7859-11	Clamp	Klämma	3	Lower
	1	471 7859-16	Clamp	Klämma	3	Upper part Upper
18	1	438 0355-01	Mounting plate	Monteringsplåt	3	
19	RQ	471 8756-01	Fuse holder	Säkringshållare	1	5X20 MM
20	RQ	471 8756-51	Insert	Insats	1	5X20MM
	RQ	471 8756-52	Insert	Insats	1	6,3X32MM,60Hz -96/30406
21	RQ	471 9027-85	Fuse	Säkring	1,2	60Hz -96/30406
	RQ	471 8750-11	Fuse	Säkring	1,2	1,25A
22	1	438 0358-02	Cover	Lock	3	
23	1	438 0359-01	Cover	Lock	3	
24	1	471 7967-02	Grommet	Genomföring	3	93/17473-
25	1	471 8708-01	Plug	Plugg	3	Ø37MM -93/17472
	1	762 1215-10	Grommet	Genomföring	3	Ø48/35mm 93/17473-
26	6	471 7967-02	Grommet	Genomföring	3	
27	1	471 8985-01	Sensor	Givare	1,2	
28	1	438 0363-01	Bracket	Hållare	3	
29	1	438 0425-01	Plate	Plåt	3	
30	1	471 9550-15	Transformer	Transformator	1	208/220/240/480V
31	1	471 9653-03	Buzzer	Summer	1	
32	1	471 9529-10	Mains filter	Nätfilter	1	208-240V
33	1	471 7473-21	Printed circuit board	Kretskort	1,2	94/20569-
34	1	471 9565-03	Transformer	Transformator	1	PRIM.200,346,380,400,480V
35	1	762 8151-91	•Fuse	•Säkring	1,2	5X20MM, 0,315A
36	1	471 9529-05	LC-filter	LC-filter	1	
37	1	762 1191-10	Grommet	Genomföring	3	
38	RQ	471 9525-27	Capacitor	Kondensator	1	30MF
	RQ	471 9525-21	Capacitor	Kondensator	1	50MF
	RQ	471 9525-22	Capacitor	Kondensator	1	100 MF
	RQ	471 9525-23	Capacitor	Kondensator	1	200MF
39	1	471 7671-01	Sign	Skylt	3	
40	2	471 8346-06	Screw	Skruv	3	3,5X25
41	2	471 8341-19	Screw	Skruv	3	M4X40
42	1	725 2370-61	Screw	Skruv	3	M6SF 6X20
43	6	471 8340-23	Screw	Skruv	3	RTS 4,2X13
44	6	735 2136-01	Lock washer	Låsbricka	3	AZ 4,3

1AC



3AC



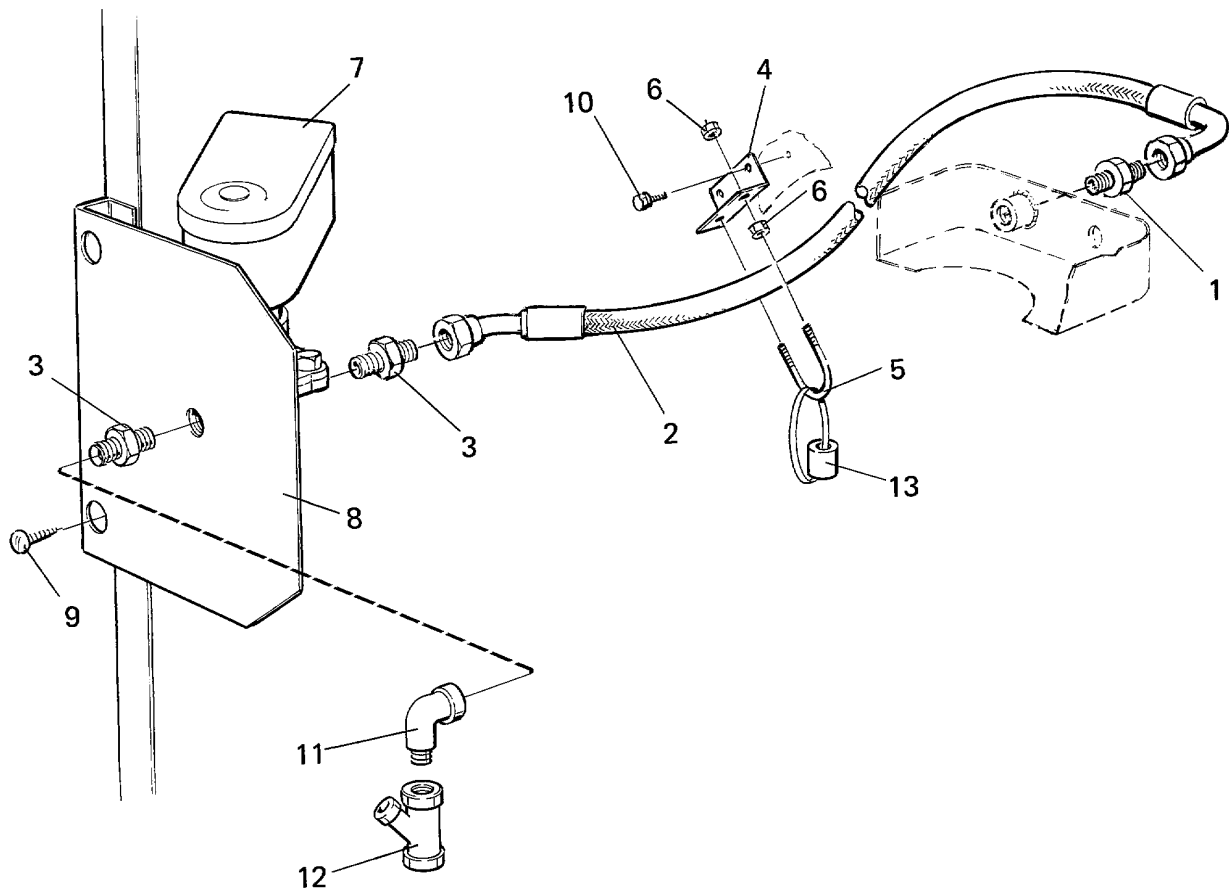
1203PEC,FL160MP**Electric components**

Illustration	Issue	Month	Year
Illustration	Utgåva	Månad	År

Elkomponenter

101335	6	2	2003
---------------	----------	----------	-------------

Item Pos.	Qua. Ant.	Art.No Art.nr	Description	Benämning	Info Info	Notes Anmärkning
45	1	471 8526-01	Spacer	Distans	3	



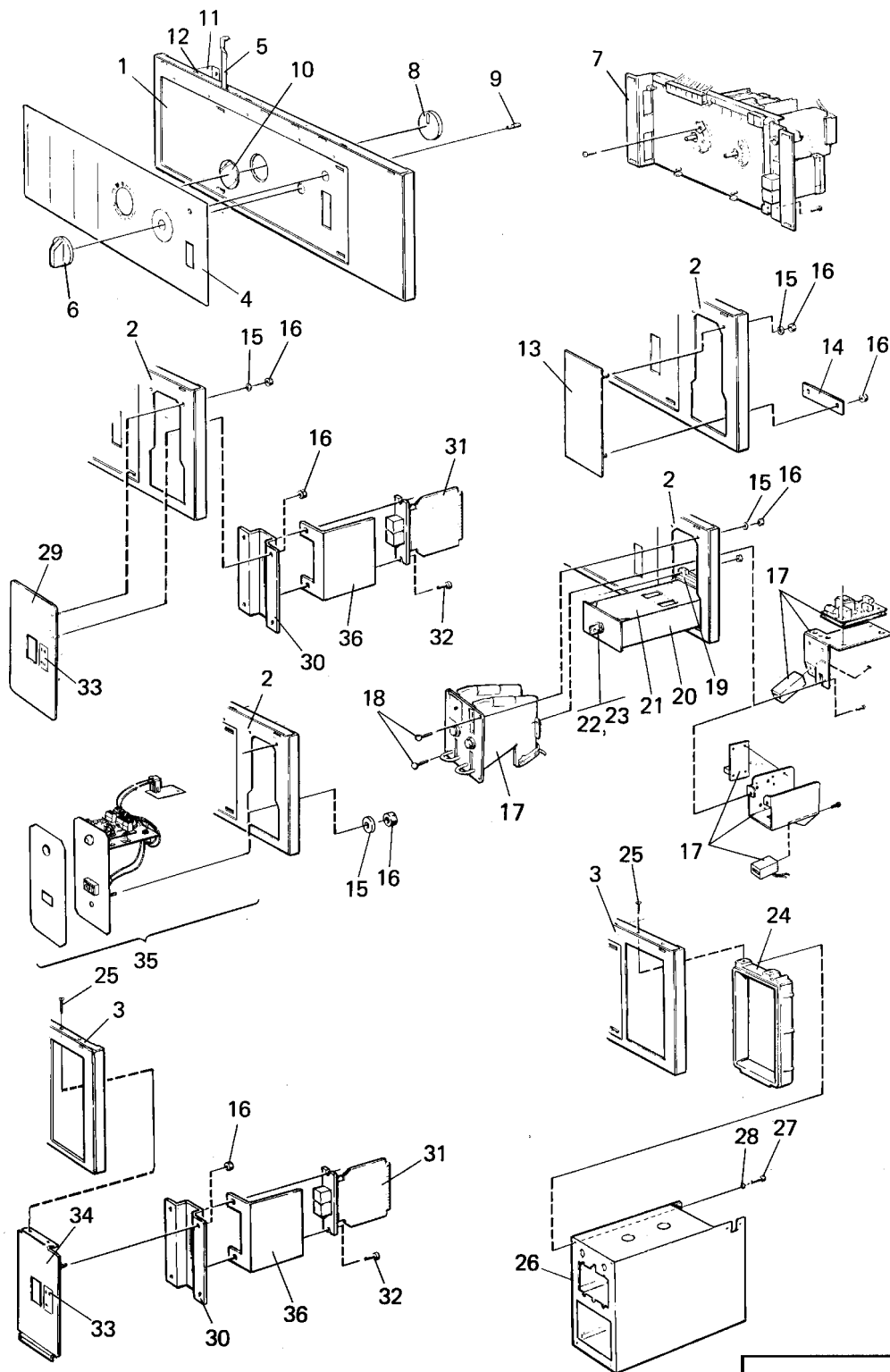
1203,1203E,1203PCO,1203PEC,FL160,FL160MP,W160,W160CC,W160MP**Steam injector**

Illustration Issue Month Year

Illustration Utgåva Månad År

Ånginjektor**100947 8 8 2001**

Item Pos.	Qua. Ant.	Art.No Art.nr	Description	Benämning	Info Info	Notes Anmärkning
1	1	438 0168-01	Steam injector	Ånginjektor	1	-92/9283
	1	438 0168-02	Steam injector	Ånginjektor	1	92/9284
2	1	471 8126-16	Hose	Slang	1	
3	2	471 8670-03	Nipple	Nippel	3	
4	1	438 0330-01	Bracket	Fäste	3	
5	1	471 8308-07	Clamp	Bygel	3	
6	4	731 2318-01	Nut	Mutter	3	M8
7	1	471 8279-03	Valve	Ventil	1,2	50/60 Hz
	1	471 8279-08	•Repair kit	•Reparationsats	1,2	
8	1	438 0167-01	Plate	Plåt	3	
9	5	729 9342-61	Screw	Skruv	3	4,2X13
10	2	725 2366-61	Screw	Skruv	3	M6SF 6X12
11	1	471 9030-34	Angle	Vinkel	3	
12	1	744 3113-06	Filter	Filter	3	1/2"
13	1	438 0341-02	Washer	Bricka	1	6-7 BAR PRESSURE 92/9284-



Issue	Month	Year
04	03	97

1203,W160

Control panel

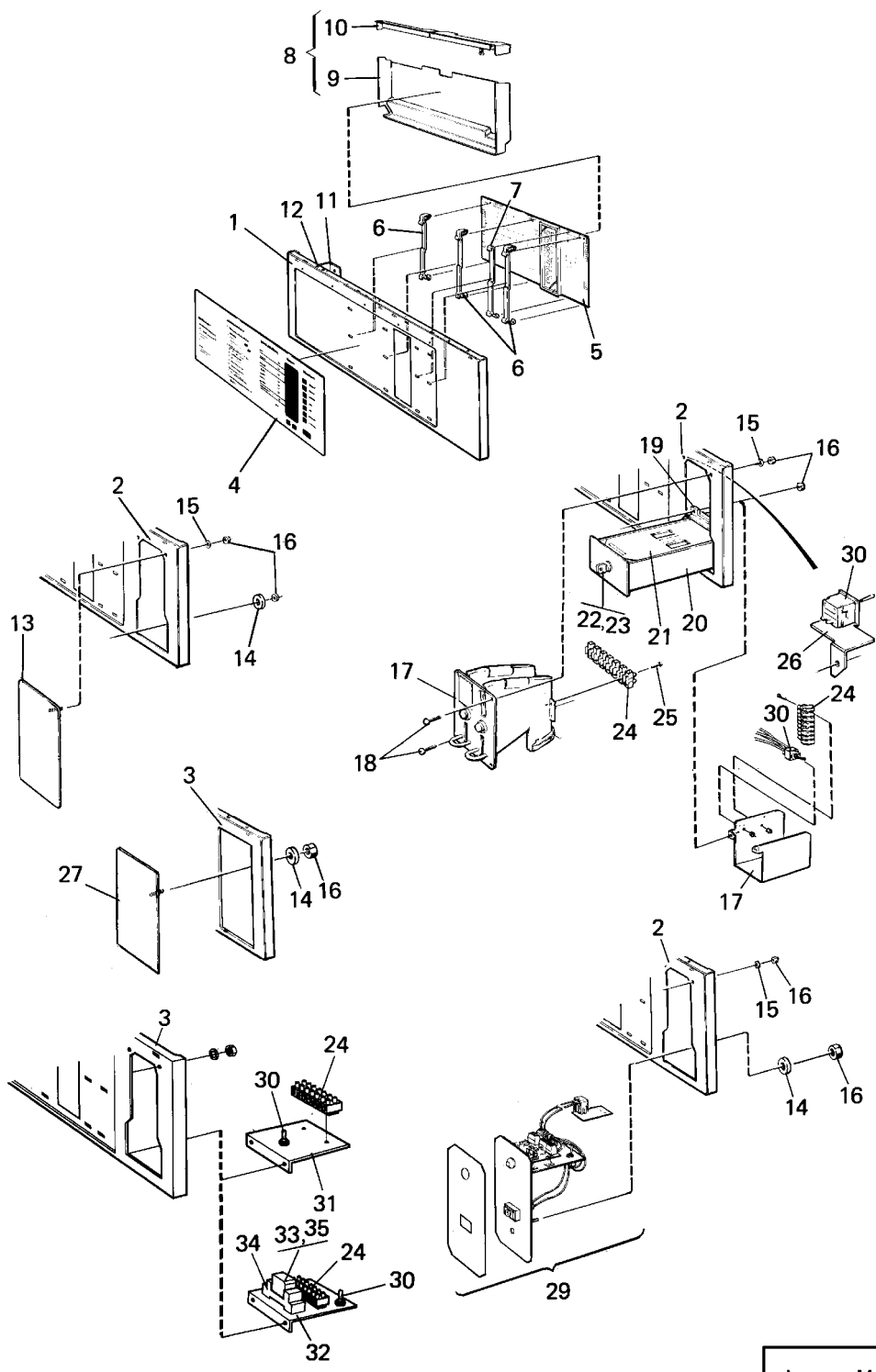
Illustration Issue Month Year

Illustration Utgåva Månad År

Manöverpanel

100977 11 10 2009

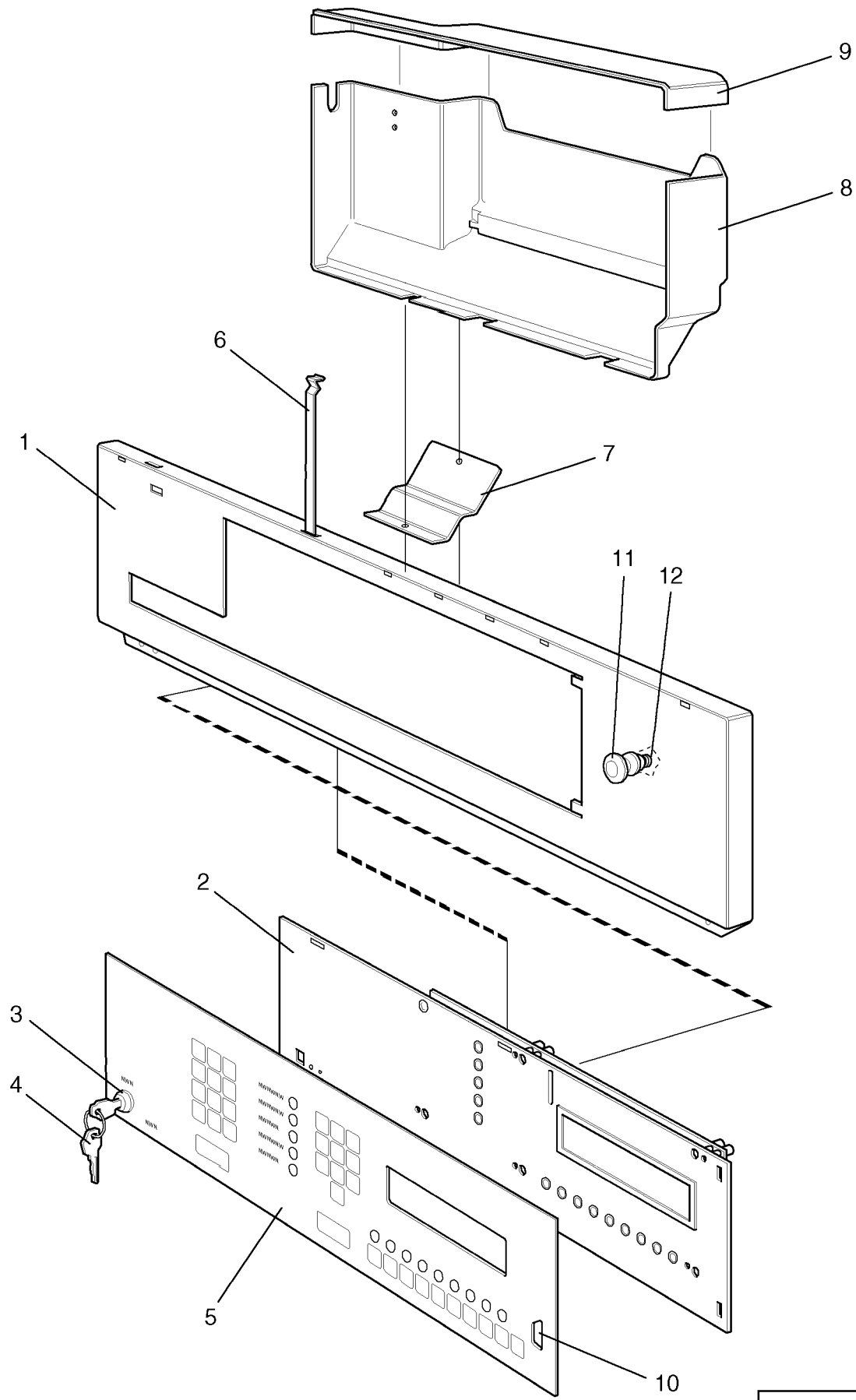
Item Pos.	Qua. Ant.	Art.No Art.nr	Description	Benämning	Info Info	Notes Anmärkning
1	1	438 0006-15	Control panel	Manöverpanel	3	Black
	1	438 0006-33	Control panel	Manöverpanel	3	Red
	1	438 0006-58	Control panel	Manöverpanel		White
2	1	438 0006-16	Control panel	Manöverpanel	3	Black
	1	438 0006-36	Control panel	Manöverpanel	3	Red
	1	438 0006-13	Control panel	Manöverpanel	3	SILVER GREY
	1	438 0006-61	Control panel	Manöverpanel	3	White
3	1	438 0006-17	Control panel	Manöverpanel	3	Black
	1	438 0006-37	Control panel	Manöverpanel	3	Red
	1	438 0006-62	Control panel	Manöverpanel	3	White
4						See illustr. 100838
5	2	438 0039-01	Lock plate	Låsbleck	3	
6	1	438 0076-01	Knob	Vred	1,2	Complete
	1	472 5207-04	Knob	Vred	1,2	Complete
7						See group 8343
8	1	472 6082-01	Pointer	Visare	3	
9	1	471 9652-02	Pilot lamp	Signallampa	1,2	230V
10	1	438 0040-01	Safety glass	Skyddsglas	1,2	
11	1	438 0233-01	Support	Stöd	3	
12	2	722 7843-02	Pop rivet	Popnit	3	
13	1	438 0333-01	Cover plate	Täckplåt	3	Black
	1	438 0333-11	Cover plate	Täckplåt	3	Red
	1	438 0333-21	Cover plate	Täckplåt	3	White
14	2	734 1808-51	Washer	Bricka	3	NB 5X16
15	4	735 2136-01	Lock washer	Låsbricka	3	AZ 4,3
16	4	732 2112-01	Locking nut	Låsmutter	3	M4
17			Coin meter	Myntmätare		TOKEN Ø23,5X1,7 See group 8521
18	4	471 8910-90	Screw	Skruv	3	
19	1	471 4596-01	Frame	Ram	3	
20	1	471 4591-01	Coin box	Myntlåda	3	Complete -96/29151
	1	471 4591-02	Coin box	Myntlåda	3	96/29152-
21	1	471 4592-01	Cover	Lock	3	-96/29151
	1	471 4592-02	Cover	Lock	3	96/29152-
* 22	1	472 9919-30	Lock	Lås	1,2	Random key
23	1	471 7826-99	Nut	Mutter	1	
24	1	471 4705-02	Frame	Ram	3	
25	2	722 7843-02	Pop rivet	Popnit	3	
26	1	438 4088-01	Coin box	Myntbox	3	
27	4	471 8342-23	Screw	Skruv	3	MRT-TT 5X10
28	4	735 2146-01	Washer	Bricka	3	M5
29	1	438 0333-02	Cover	Lock	3	Black
	1	438 0333-12	Cover	Lock	3	Red
	1	438 0333-22	Cover	Lock	3	White
30	1	471 4904-02	Bracket	Konsol	3	
31	1	471 9648-01	Pushbutton unit	Tryckknappsenhet	1,2	2 buttons PX2,PX3
32	2	725 9648-01	Screw	Skruv	3	
33	1	471 4657-82	Sign	Skylt	3	
34	1	438 0334-02	Cover plate	Täckplåt	3	Black
	1	438 0334-12	Cover plate	Täckplåt	3	Red
	1	438 0334-22	Cover plate	Täckplåt	3	White
35						CP800 See group 8551, 8553
36	1	438 0455-01	Protection panel	Skyddsplåt	3	



Issue	Month	Year
06	03	97

1203E,W160MP**Control panel**Illustration Issue Month Year
Illustration Utgåva Månad År**Manöverpanel****100978/6 11 10 2009**

Item Pos.	Qua. Ant.	Art.No Art.nr	Description	Benämning	Info Info	Notes Anmärkning
1	1	438 0006-24	Control panel	Manöverpanel	3	Black
2	1	438 0006-18	Control panel	Manöverpanel	3	Black
	1	438 0006-38	Control panel	Manöverpanel	3	Red
	1	438 0006-63	Control panel	Manöverpanel	3	White
	1	438 0006-14	Control panel	Manöverpanel	3	Silver
3	1	438 0006-23	Control panel	Manöverpanel	3	Black
4						See illustr. 100838
5	1	472 9904-39	Printed circuit board	Elektronikkort	1,2	-160/53154
	1	471 8964-12	Printed circuit board	Elektronikkort	1,2	160/53155-
6	3	472 8969-03	Bracket	Hållare	3	-160/53154
	3	472 8974-01	Bracket	Hållare	3	160/53155-
7	1	472 8969-02	Bracket	Hållare	3	-160/53154
	1	472 8974-02	Bracket	Hållare	3	160/53155-
8	1	472 9902-64	Heat shield	Värmesköld	3	Complete -95/11114
	1	438 4079-10	Heat shield	Värmesköld	3	Complete 95/11115-
9	1	438 4079-01	•Heat shield	•Värmesköld	3	
10	1	438 4079-02	•Heat shield	•Värmesköld	3	
11	1	438 0233-01	Support	Stöd	3	
12	2	722 7843-02	Pop rivet	Popnit	3	
13	1	438 0333-01	Cover plate	Täckplåt	3	Black
	1	438 0333-11	Cover plate	Täckplåt	3	Red
	1	438 0333-21	Cover plate	Täckplåt	3	White
14	2	734 1808-51	Washer	Bricka	3	NB 5X16
15	4	735 2136-01	Lock washer	Låsbricka	3	AZ 4,3
16	4	732 2112-01	Locking nut	Låsmutter	3	M4
17			Coin meter	Myntmätare		See group 8521
18	4	471 8910-90	Screw	Skruv	3	
19	1	471 4596-01	Frame	Ram	3	
20	1	471 4591-01	Coin box	Myntlåda	3	Complete
21	1	471 4592-01	Cover	Lock	3	
* 22	1	472 9919-30	Lock	Lås	1,2	Random key
	1	471 7829-99	Lock catch	Låshake	3	
	1	471 7840-01	Lock	Lås	3	
23	1	471 7826-99	Nut	Mutter	1	
24	1	762 7207-57	Terminal connection	Kopplingsplint	3	
26	1	471 4764-01	Bracket	Fäste	3	
27	1	438 0334-01	Cover plate	Täckplåt	3	Black
	1	438 0334-11	Cover plate	Täckplåt	3	Red
	1	438 0334-21	Cover plate	Täckplåt	3	White
28						Not used
29	1		Conversion kit	Ombyggnadssats	1	CP800 See group 8555
30	1	471 9629-02	Switch	Brytare	1,2	
31	1	438 0260-10	Mounting plate	Fästplåt	3	
32	1	438 0332-02	Mounting plate	Fästplåt	3	
33	1	471 9649-01	Relay	Relä	1,2	
34	1	471 9649-02	Socket	Socket	1	
35	1	471 9649-11	Clamp	Bygel	3	



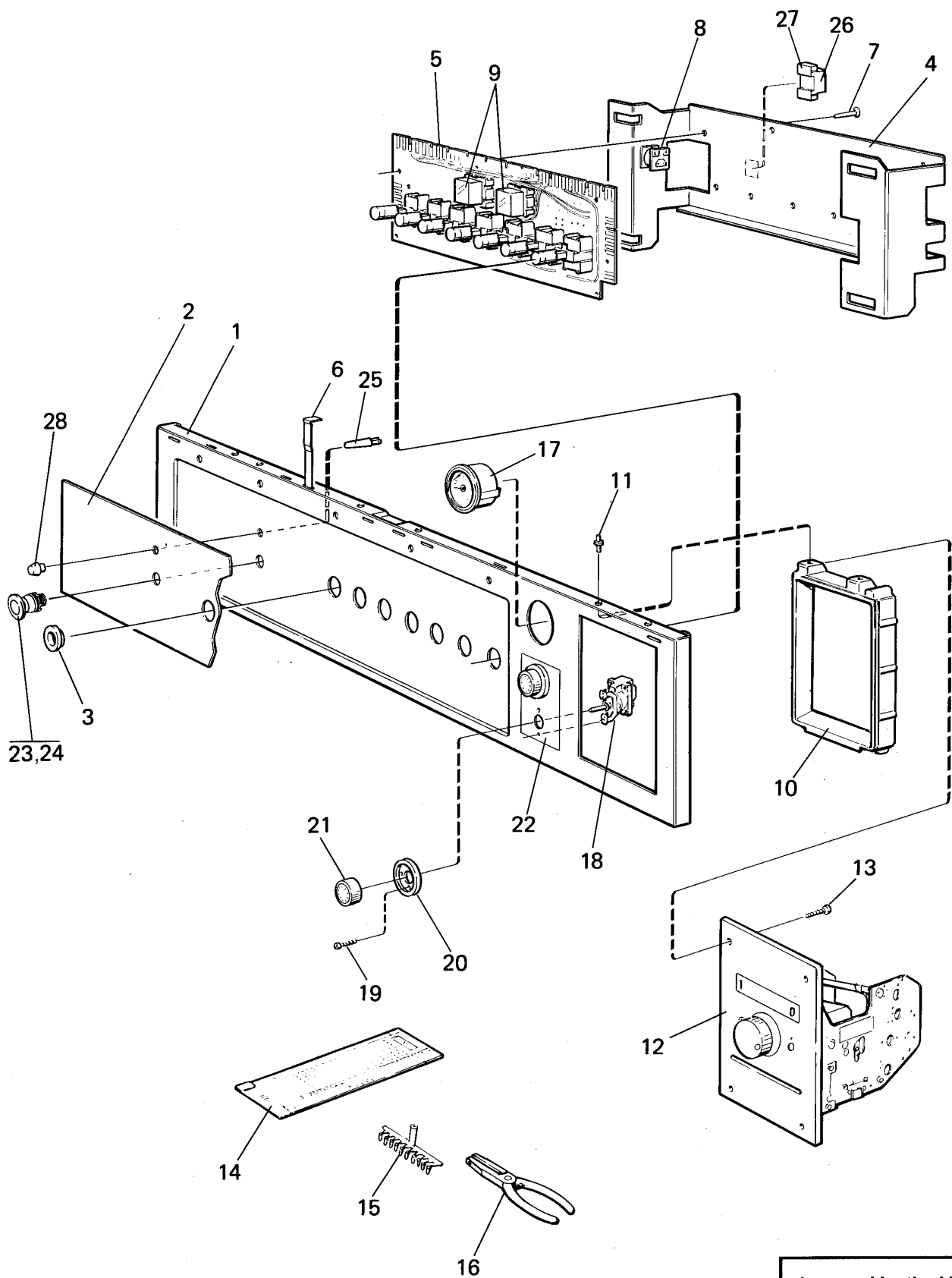
1203PEC,FL160MP**Control panel**

Illustration Issue Month Year

Illustration Utgåva Månad År

Manöverpanel**100981 10 3 2003**

Item Pos.	Qua. Ant.	Art.No Art.nr	Description	Benämning	Info Info	Notes Anmärkning
1	1	438 0006-20	Control panel	Manöverpanel	3	Black Without emergency stop -94/20568
	1	438 0006-29	Control panel	Manöverpanel	3	Black With emergency stop 94/569-
2	1	471 8977-15	Printed circuit board	Kretskort	1,2	Complete -94/20568
	1	471 8977-25	Printed circuit board	Kretskort	1,2	Complete 94/20569-
3	1	471 4878-84	Switch	Brytare	1,2	Complete
4	1	471 8733-10	Key	Nyckel	1,2	
5	1		Panel sign	Pannelskylt		
6	2	438 0039-01	Lock plate	Låsbleck	3	
7	1	438 0364-01	Support	Stöd	3	
8	1	471 4714-06	Heat shield	Värmesköld	3	
9	1	471 4714-05	Heat shield	Värmesköld	3	
10			Memory cartridge	Minneskasset		See group 8342
11	1	471 9628-17	Emergency stop	Nödstopp	1,2	94/20569-99/52754 94/20569-
	1	471 9628-32	Emergency stop	Nödstopp	1,2	99/52755-
12	1	471 9628-94	Socket	Kontaktblock	1	94/20569-99/52754 94/20569-
	1	471 9628-34	Socket	Kontaktblock	1	99/52755-



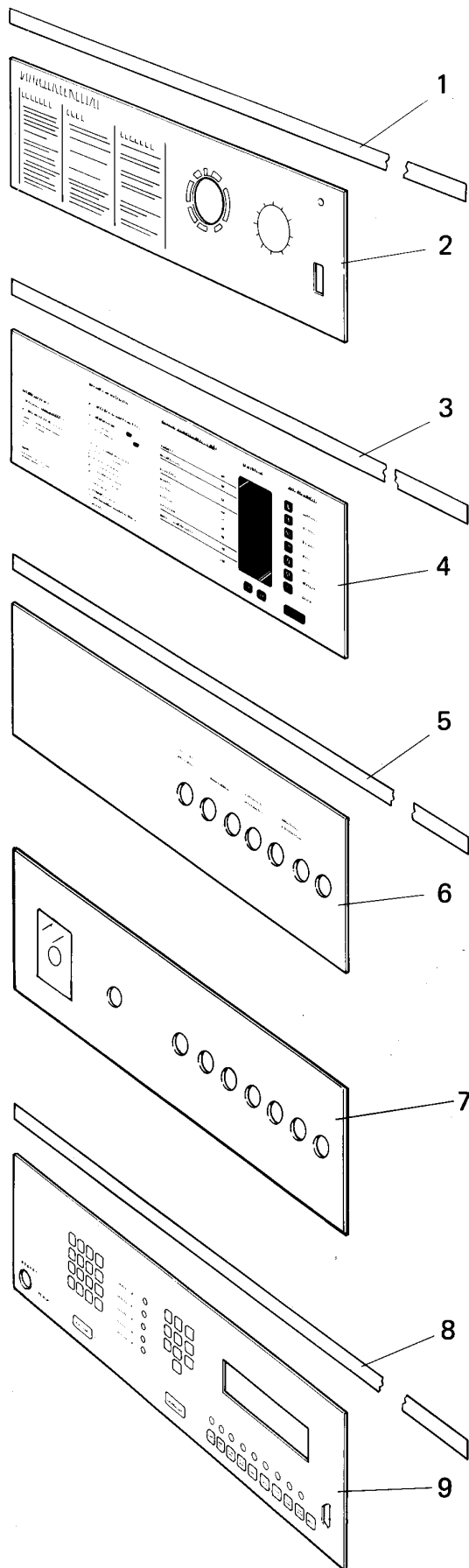
1203PCO,FL160**Control panel**

Illustration Issue Month Year

Illustration Utgåva Månad År

Manöverpanel**100980 13 2 2003**

Item Pos.	Qua. Ant.	Art.No Art.nr	Description	Benämning	Info Info	Notes Anmärkning
1	1	438 0006-22	Control panel	Manöverpanel	3	Black Non-heated -94/20968
	1	438 0006-46	Control panel	Manöverpanel	3	Black Non-heated 94/20969-
	1	438 0006-21	Control panel	Manöverpanel	3	Black HEATED -94/20968
	1	438 0006-45	Control panel	Manöverpanel	3	HEATED 94/20969-
2			Panel sign	Panelskylt		
3	7	471 7966-01	Grommet	Genomföring	3	
4	1	438 0293-01	Bracket	Konsol	3	
5	1	438 3075-01	Printed circuit board	Kretskort	1,2	-95/23226
	1	438 3075-04	Printed circuit board	Kretskort	1,2	95/23227-
6	2	438 0039-01	Lock plate	Låsbleck	3	
7	8	471 7958-01	Support	Stöd	3	
8	1	471 9651-50	Buzzer	Summer	1,2	208-240V
9	2	471 9649-05	Relay	Relä	1,2	
10	1	471 4705-02	Frame	Ram	3	
11	2	722 7843-02	Pop rivet	Popnit	3	
12			Card programmer	Plankortsautomat		See group 8337
13	4	471 8342-25	Screw	Skruv	3	5X16
14	1	471 8955-01	Program card	Programkort	1,2	80
	1	471 9219-16	Program card	Programkort	1,2	120
15	1	471 6654-10	Pin	Stift	1,2	SET OF 10 PCS
16	1	471 8961-01	Pliers	Tång	1,2	
17	1	471 8810-02	Thermometer	Termometer	1,2	
18	2	471 8804-12	Thermostat	Termostat	1,2	
19	4	471 8341-11	Screw	Skruv	3	MRT 4X6
20	2	471 8804-71	Scale	Skala	1	
21	2	471 8804-51	Handwheel	Ratt	002	
22	1	471 7673-01	Sign	Skylt	3	
23	1	471 9628-18	Emergency stop	Nödstopp	1,2	94/20569-9523226
	1	471 9628-17	Emergency stop	Nödstopp	1,2	95/23227-99/52754 95/23227-
	1	471 9628-32	Emergency stop	Nödstopp	1,2	99/52755-
24	1	471 9628-95	Socket	Kontaktblock	1	94/20569-95/23226
	1	471 9628-94	Socket	Kontaktblock	1	95/23227-99/52754 95/23227-
	1	471 9628-34	Socket	Kontaktblock	1	99/52755-
25	1	471 9628-08	Lamp	Lampa	1,2	230V 94/20569-95/23226
	1	471 9652-02	Pilot lamp	Signallampa	1	230V 95/23227-
26	1	471 9649-05	Relay	Relä	1,2	
27	1	471 9649-04	Socket	Socket	1	
28	1	763 1802-01	Glass	Glas	1	Red 94/20569-95/23226
	1	763 1806-01	Glass	Glas	1	Yellow 95/23227-



1203,1203E,1203PCO,1203PEC,FL160,FL160MP,W160,W160CC,W160MP

Type plates and panel plates

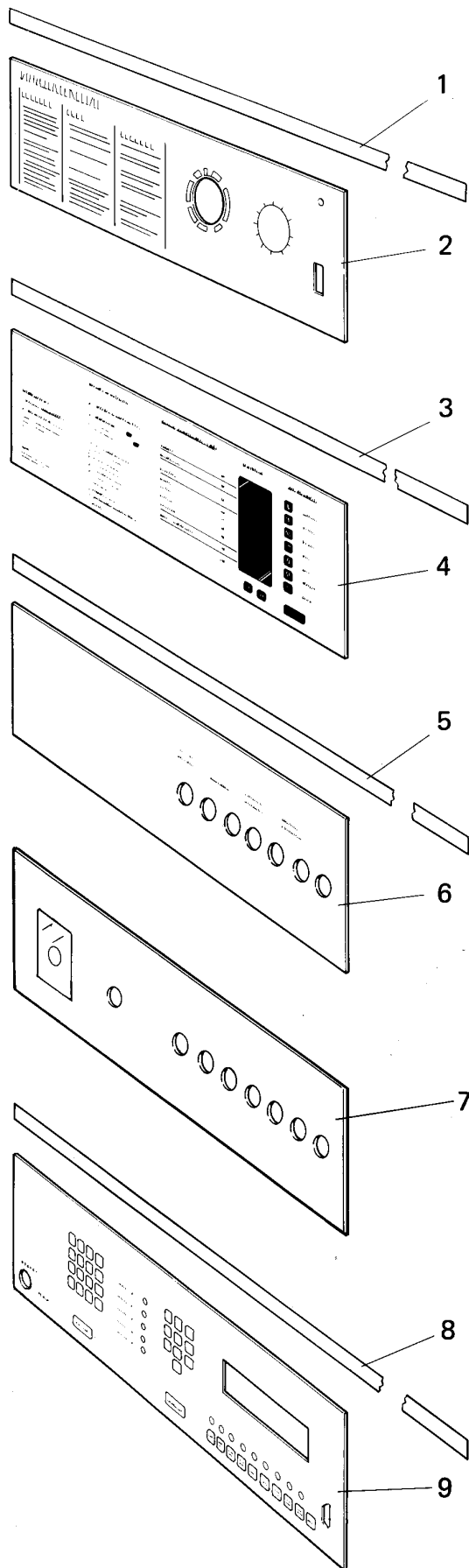
Illustration Issue Month Year

Illustration Utgåva Månad År

Typskyltar och panelskyltar

101415 8 11 1996

Item Pos.	Qua. Ant.	Art.No Art.nr	Description	Benämning	Info Info	Notes Anmärkning
1	1	438 2805-01	Type plate	Typskylt	1	W160
	1	438 2805-06	Type plate	Typskylt	1	OSBY 1203
	1	438 2805-12	Type plate	Typskylt	1	NYBORG 1203
	1	438 2805-13	Type plate	Typskylt	1	16NS
	1	438 2805-14	Type plate	Typskylt	1	FAG 160W
	1	438 2805-17	Type plate	Typskylt	1	LINCON 1203
	1	438 2805-19	Type plate	Typskylt	1	LB161E
	1	438 2805-21	Type plate	Typskylt	1	ELECTROLUX ZANKER W160
	1	438 2805-22	Type plate	Typskylt	1	LB161BP
	1	438 2805-23	Type plate	Typskylt	1	LB161V
	1	438 2805-28	Type plate	Typskylt	1	PEKO W160
2	1	438 2900-01	Panel sign	Pannelskylt	1	Wascator Swedish P01
	1	438 2900-02	Panel sign	Pannelskylt	1	Finnish P01
	1	438 2900-03	Panel sign	Pannelskylt	1	Danish P01
	1	438 2900-04	Panel sign	Pannelskylt	1	German P01
	1	438 2900-05	Panel sign	Pannelskylt	1	Norwegian P01
	1	438 2900-06	Panel sign	Pannelskylt	1	English
	1	438 2900-07	Panel sign	Pannelskylt	1	French P01
	1	438 2900-08	Panel sign	Pannelskylt	1	Italian P01
	1	438 2900-09	Panel sign	Pannelskylt	1	Spanish P01
	1	438 2900-10	Panel sign	Pannelskylt	1	Dutch P01
	1	438 2900-11	Panel sign	Pannelskylt	1	P01, IT, FR SP, GB WITH AND WITHOUT COIN-METER
	1	438 2901-02	Panel sign	Pannelskylt	1	P03, without coin meter
	1	438 2902-01	Panel sign	Pannelskylt	1	P31 Swedish P31
	1	438 2903-01	Panel sign	Pannelskylt	1	Danish P21 WITH AND WITHOUT COIN-METER
	1	438 2903-02	Panel sign	Pannelskylt	1	Norwegian P21 WITH AND WITHOUT COIN-METER
	1	438 2903-03	Panel sign	Pannelskylt	1	English P21 WITH AND WITHOUT COIN-METER
	1	438 2903-04	Panel sign	Pannelskylt	1	French P21 WITH AND WITHOUT COIN-METER
	1	438 2903-05	Panel sign	Pannelskylt	1	Spanish P22 WITH AND WITHOUT COIN-METER
	1	438 2903-07	Panel sign	Pannelskylt	1	Dutch P21
	1	438 2903-60	Panel sign	Pannelskylt	1	Dutch P22, CP80
	1	438 2905-05	Panel sign	Pannelskylt	1	Dutch P22
1	438 2903-06	Panel sign	Pannelskylt	1	German P22 WITH AND WITHOUT COIN-METER	
1	438 2904-01	Panel sign	Pannelskylt	1	English P02	
1	438 2904-02	Panel sign	Pannelskylt	1	French P02 WITH AND WITHOUT COIN-METER	
1	438 2904-03	Panel sign	Pannelskylt	1	Danish P02	
1	438 2904-04	Panel sign	Pannelskylt	1	Norwegian P02	
1	438 2904-05	Panel sign	Pannelskylt	1	Spanish P02	
1	438 2905-01	Panel sign	Pannelskylt	1	French P22	
1	438 2905-04	Panel sign	Pannelskylt	1	English P22	
3	1	438 2805-36	Type plate	Typskylt	1	W160MP
	1	438 2805-05	Type plate	Typskylt	1	1203E
	1	438 2805-07	Type plate	Typskylt	1	1203 ELECTRONIC



1203,1203E,1203PCO,1203PEC,FL160,FL160MP,W160,W160CC,W160MP

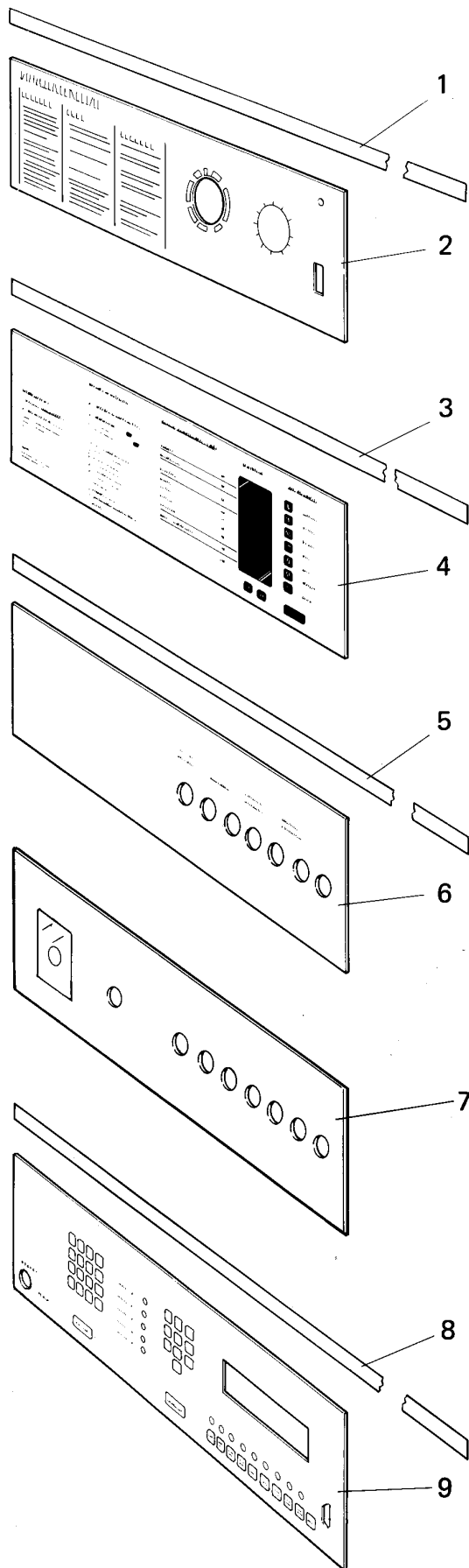
Type plates and panel plates

Illustration Issue Month Year
Illustration Utgåva Månad År

Typskyltar och panelskyltar

101415 8 11 1996

Item Pos.	Qua. Ant.	Art.No Art.nr	Description	Benämning	Info Info	Notes Anmärkning
4	1	472 5753-14	Panel sign	Pannelskylt	1	German PE21, WITHOUT COIN-METER
	1	472 5752-03	Panel sign	Pannelskylt	1	English PE01, WITHOUT COIN-METER
	1	472 5752-05	Panel sign	Pannelskylt	1	Norwegian P01 WITHOUT COIN-METER
	1	472 5752-06	Panel sign	Pannelskylt	1	German P01 WITHOUT COIN-METER
	1	472 5752-07	Panel sign	Pannelskylt	1	FINNISH/SWEDISH PE61 WITHOUT COIN-METER
	1	471 5752-08			1	P01 WITHOUT COIN-METER
	1	472 5752-10	Panel sign	Pannelskylt	1	Swedish PE01 WITH COIN-METER
	1	472 5752-01	Panel sign	Pannelskylt	1	Swedish PE01 WITHOUT COIN-METER
	1	472 5752-11	Panel sign	Pannelskylt	1	Danish PE01 WITH COIN-METER
	1	472 5752-15	Panel sign	Pannelskylt	1	English hospital without coin meter HE02 WITHOUT COIN-METER
	1	472 5752-16	Panel sign	Pannelskylt	1	German hospital without coin meter HE01 WITHOUT COIN-METER
	1	472 5752-70	Panel sign	Pannelskylt	1	Dutch PE02 WITHOUT COIN-METER
	1	472 5752-71	Panel sign	Pannelskylt	1	Dutch PE02 WITH COIN-METER
	1	472 5752-72	Panel sign	Pannelskylt	1	English PE02 WITHOUT COIN-METER
	1	472 5752-73	Panel sign	Pannelskylt	1	English PE02 WITH COIN-METERAO
	1	472 5752-74	Panel sign	Pannelskylt	1	Danish PE02, WITHOUT COIN-METER
	1	472 5752-75	Panel sign	Pannelskylt	1	Danish PE02 WITH COIN-METER
	1	472 5752-76	Panel sign	Pannelskylt	1	French PE02 WITH COIN-METER
	1	472 5753-01	Panel sign	Pannelskylt	1	Danish PE21 WITHOUT COIN-METER
	1	472 5753-02	Panel sign	Pannelskylt	1	Danish PE21 WITH COIN-METER
1	472 5753-03	Panel sign	Pannelskylt	1	Danish PE21, CP800	
1	472 5753-04	Panel sign	Pannelskylt	1	English hygien without coin meter PE22 WITHOUT COIN-METER	
1	472 5753-05	Panel sign	Pannelskylt	1	Norwegian PE21 WITHOUT COIN-METER	
1	472 5753-06	Panel sign	Pannelskylt	1	English PE21 WITHOUT COIN-METER	
1	472 5753-07	Panel sign	Pannelskylt	1	English PE21 WITH COIN-METER	
1	472 5753-08	Panel sign	Pannelskylt	1	Dutch PE21 WITH COIN-METER	
1	472 5753-09	Panel sign	Pannelskylt	1	Dutch PE22 CP800	
1	472 5753-18	Panel sign	Pannelskylt	1	German PE21 CP80	
1	472 5753-16	Panel sign	Pannelskylt	1	French PE21 WITHOUT COIN-METER A	
1	471 5753-17			1	PE21 FIRE BRIGADE	



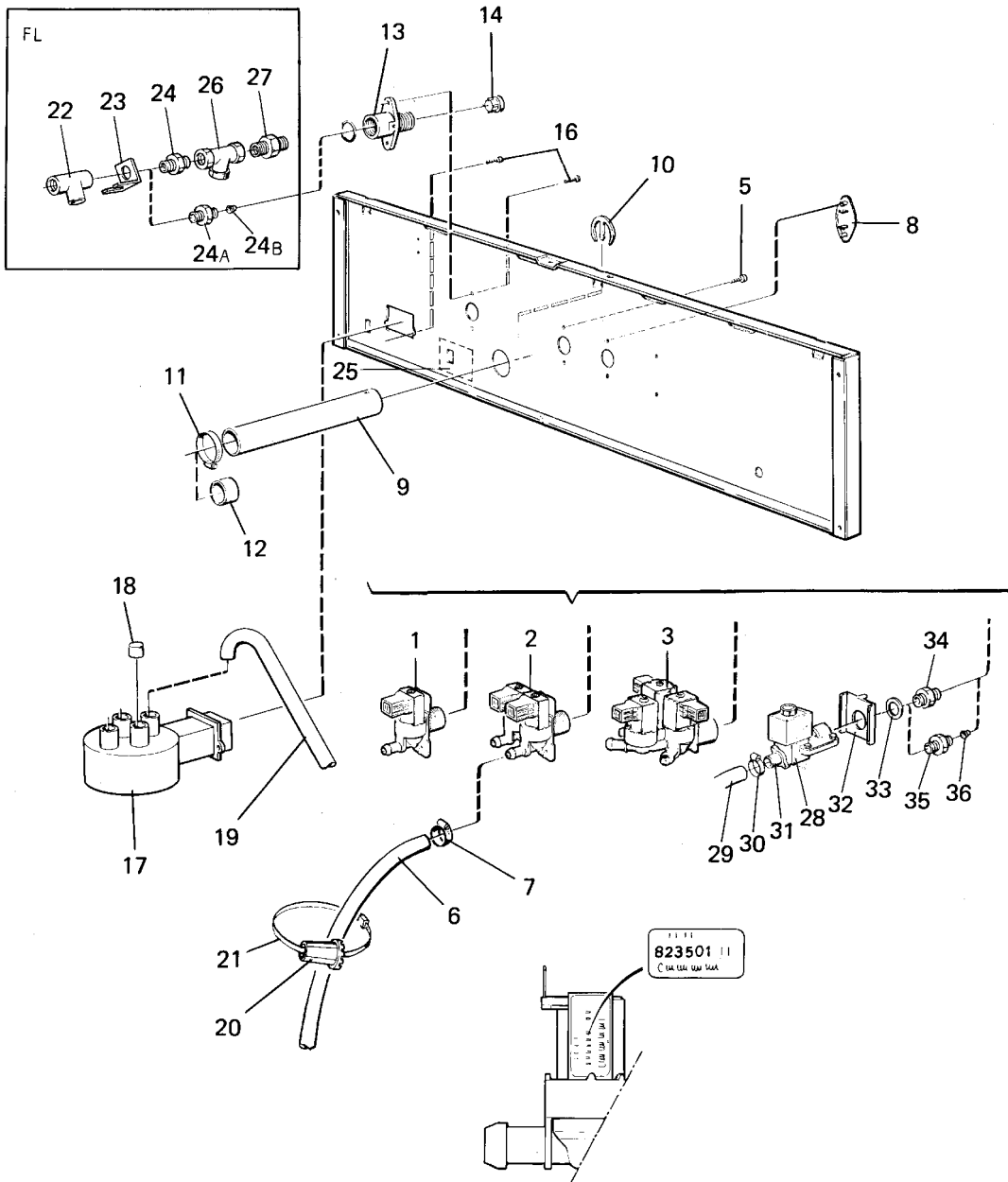
1203,1203E,1203PCO,1203PEC,FL160,FL160MP,W160,W160CC,W160MP**Type plates and panel plates**

Illustration Issue Month Year

Illustration Utgåva Månad År

Typskyltar och panelskyltar**101415 8 11 1996**

Item Pos.	Qua. Ant.	Art.No Art.nr	Description	Benämning	Info Info	Notes Anmärkning
	1	472 5753-14	Panel sign	Pannelskylt	1	German PE21 NO COIN-METER
	1	472 5753-13	Panel sign	Pannelskylt	1	Danish HE22 WITHOUT COIN-METER
	1	472 5753-50	Panel sign	Pannelskylt	1	German PE22 CP800
	1	472 5753-51	Panel sign	Pannelskylt	1	German PE22 WITH COIN-METER
	1	472 5753-15	Panel sign	Pannelskylt	1	Dutch
	1	472 5753-53	Panel sign	Pannelskylt	1	English PE22 WITH COIN-METER
	1	472 5753-54	Panel sign	Pannelskylt	1	Dutch PE22 WITHOUT COIN-METER
	1	472 5753-55	Panel sign	Pannelskylt	1	English PE22 WITHOUT COIN-METER
	1	472 5753-56	Panel sign	Pannelskylt	1	Danish PE22, CP800
	1	472 5755-01	Panel sign	Pannelskylt	1	SWEDISH WITHOUT COIN METER P31 WITHOUT COIN-METER
	1	472 5755-10	Panel sign	Pannelskylt	1	Swedish with coin meter P31 WITH COIN-METER
5	1	438 2805-16	Type plate	Typskylt	1	FL160
	1	438 2805-26	Type plate	Typskylt	1	FLS160
	1	438 2805-15	Type plate	Typskylt	1	FAG160 FL
	1	438 2805-25	Type plate	Typskylt	1	CLB161V
	1	438 2825-24	Type plate	Typskylt	1	CLB161E
6	1	438 2906-02	Panel sign	Pannelskylt	1	English SYMBOLS
7	1	438 2911-01	Panel sign	Pannelskylt	1	SYMBOLS
8	1	438 2805-11	Type plate	Typskylt	3	FL160MP
	1	438 2805-27	Type plate	Typskylt	3	
	1	438 2805-30	Type plate	Typskylt	3	FL160 MP,ZANKER
9	1	472 5756-01	Panel sign	Pannelskylt	1	English
	1	472 5756-02	Panel sign	Pannelskylt	1	Swedish
	1	472 5756-04	Panel sign	Pannelskylt	1	German
	1	472 5756-05	Panel sign	Pannelskylt	1	Danish
	1	472 5756-06	Panel sign	Pannelskylt	1	Norwegian
	1	472 5756-07	Panel sign	Pannelskylt	1	Polish
	1	472 5756-08	Panel sign	Pannelskylt	1	French
	1	472 5756-18	Panel sign	Pannelskylt	1	CZECH
	1	472 5756-20	Panel sign	Pannelskylt	1,2	RUMANIAN
	1	472 5756-09	Panel sign	Pannelskylt	1	Spanish
	1	472 5756-10	Panel sign	Pannelskylt	1	Finnish



1203,1203E,1203PCO,1203PEC,FL160,FL160MP,W160,W160CC,W160MP**Water alternatives**

Illustration

Issue

Month

Year

Illustration

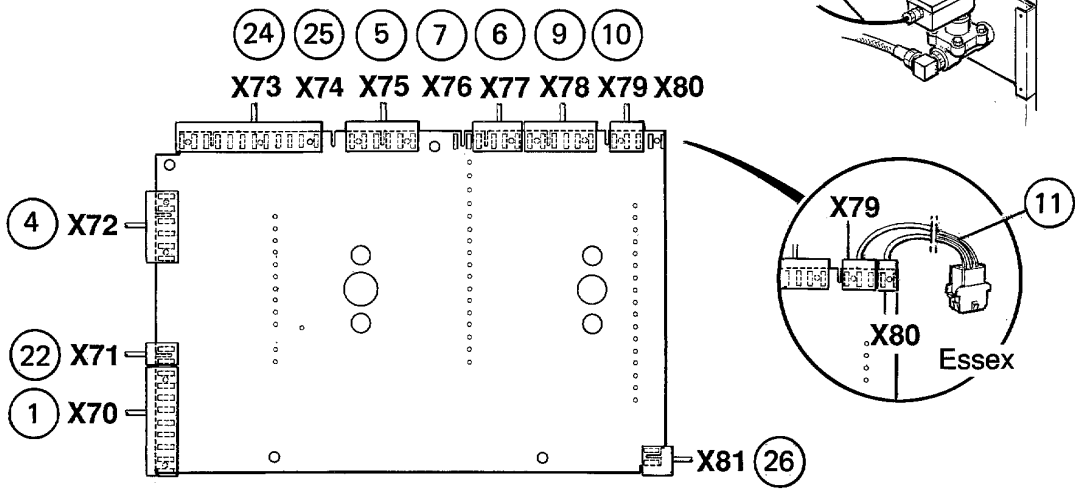
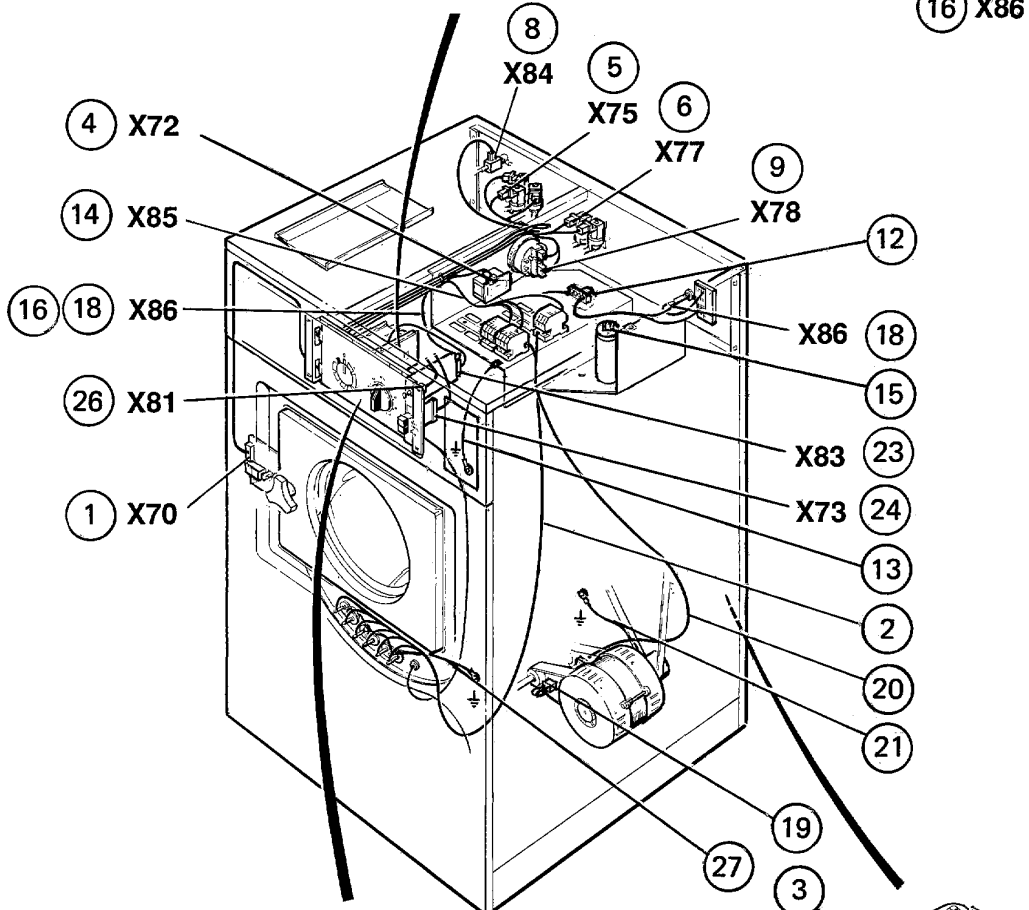
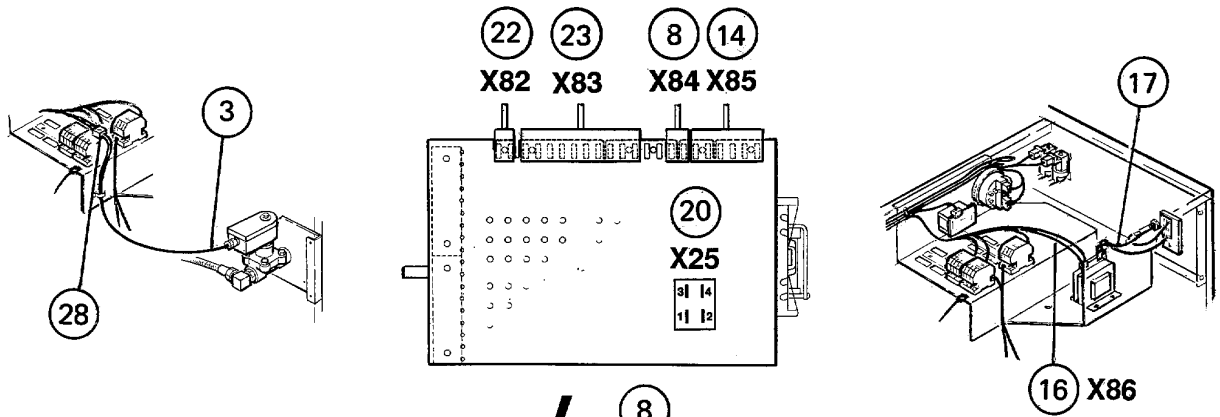
Utgåva

Månad

År

Vattenalternativ**100931/5****13****3****2003**

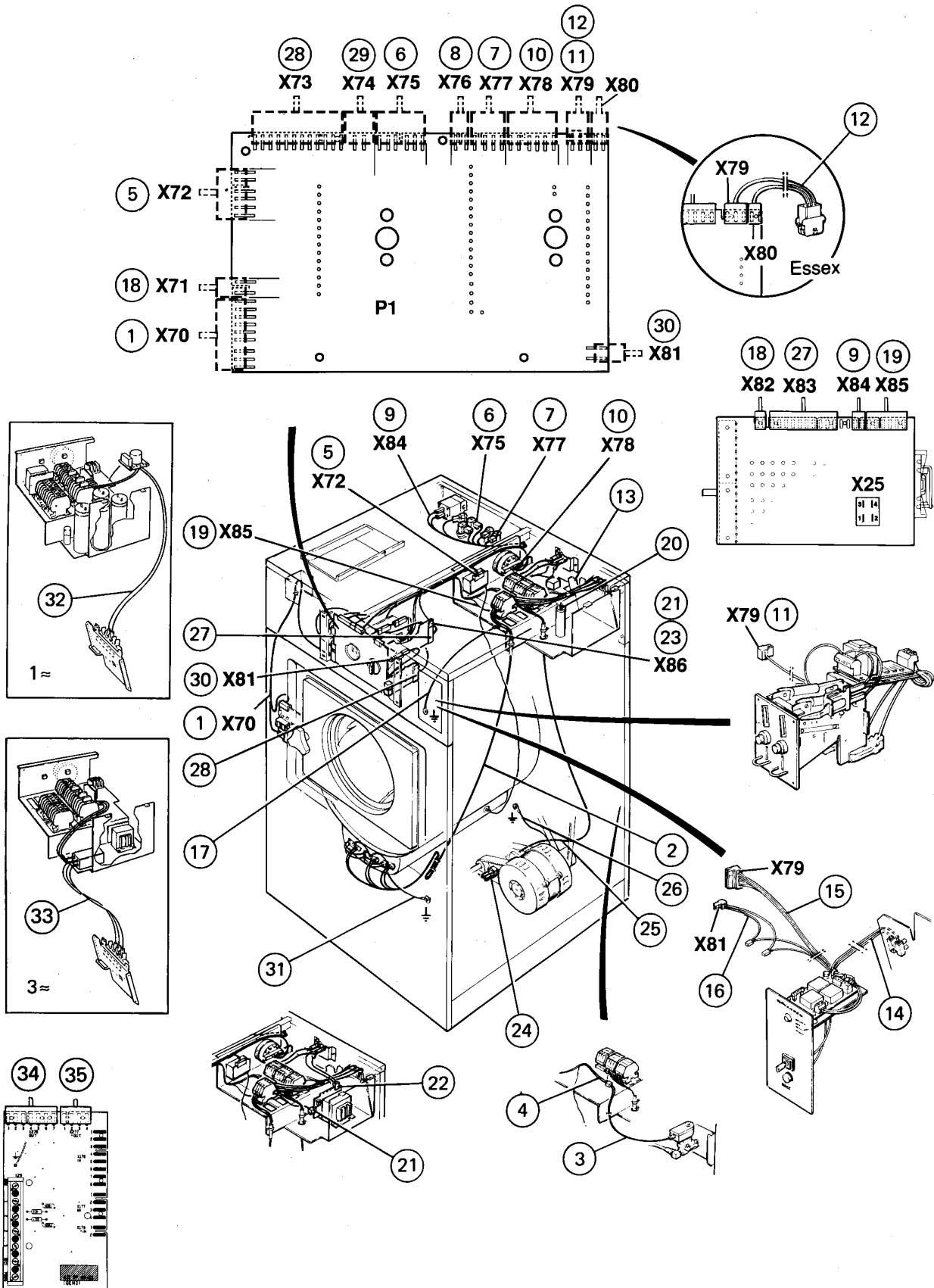
Item Pos.	Quantity Antal	Art.No Art.nr	Description	Benämning	Info Info	Notes Anmärkning
			1203,1203E,W160,W160CC,W160MP			
			1203PCO,1203PEC,FL160,FL160MP			
1	RQ RQ		Valve	Ventil		50Hz/60Hz See group 8115
2	RQ RQ		Valve	Ventil		2-way, 208-240V 50/60Hz, BSP See group 8116
3	RQ RQ		Valve	Ventil		3-way, 208-240V 50/60Hz, BSP See group 8117
4						Not used
5	RQ RQ	471 8341-11	Screw	Skruv	3	MRT 4X6
6	RQ RQ	877 5211-08	Hose	Slang	3	Per 1 m Per 1 M
7	RQ RQ	736 2816-51	Hose clamp	Slangklämma	3	Ø13-19
8	RQ RQ	472 6761-01	Cover washer	Täckbricka	3	
9	1 1	438 0145-11	Hose	Slang	1	
10	1 1	438 0127-01	Lock	Lås	3	
11	1 1	736 2828-51	Hose clamp	Slangklämma	3	
12	1 1	471 8644-03	Hood	Huv	3	
13	1 1	438 0056-03	Nipple	Nippel	3	Black, 3/4"
	1 1	438 0056-04	Nipple	Nippel	3	White, 3/4", USA
14	1 1	471 8234-94	Filter	Filter	3	-97/35926
15	1 1	471 8199-01	Gasket	Packning	3	
16	4 4	471 8317-05	Screw	Skruv	3	
17					3	
18	RQ RQ	471 8175-01	Plug	Plugg	3	
19	1 1	471 8121-01	Hose	Slang	1	L=850
20	1 1	471 4792-01	Tool	Verktyg	1,2	
21	1 1	762 9105-05	Cable strap	Kabelband	3	
22		742 5115-20	T-pipe	T-rör	3	
23		471 2938-01	Cover	Skydd	3	
24		471 8622-05	Nipple	Nippel	3	3/4" -97/35926
24A	1	471 8693-03	Nipple	Nippel	3	3/4"-3/4" 97/35927-
24B	1	471 8693-21	•Filter	•Filter	1	97/35927-
25	RQ RQ	438 0254-01	Sign	Skylt	3	
26	1	744 3115-06	Filter	Filter	3	R 3/4" -97/35926
27	1	471 8622-05	Nipple	Nippel	3	3/4" -97/35926
28	1 1		Valve	Ventil		2-way, 208-240V 50/60Hz, BSP See group 8125
29	RQ RQ	877 5252-01	Hose	Slang	1	Per 1 m PER 1M
30	RQ RQ	736 2825-51	Hose clamp	Slangklämma	3	Ø32
31	RQ RQ	471 8623-01	Connection	Koppling	3	1/2"
32	RQ RQ	471 2937-01	Bracket	Vridskydd	3	
33	RQ RQ	471 8159-06	Gasket	Packning	3	
34	RQ RQ	471 8622-01	Nipple	Nippel	3	1/2"-3/4" 50Hz -97/35926
35	RQ RQ	471 8693-01	Nipple	Nippel	3	1/2"-3/4" 97/35927-
36	RQ RQ	471 8693-21	•Filter	•Filter	1	97/35927-



Issue	Month	Year
05	02	94

1203,W160 -92/6307**Cables P01,11,21,31,61**Illustration Issue Month Year
Illustration Utgåva Månad År**Kablage P01,11,21,31,61****100723/5 3 11 1996**

Item Pos.	Qua. Ant.	Art.No Art.nr	Description	Benämning	Info Info	Notes Anmärkning
1	1	438 3030-10	Cables	Kablage	3	DOOR LOCK,X70
2	1	438 3021-06	Cables	Kablage	3	4,8KW 400V HEATING 3AC
	1	438 3021-10	Cables	Kablage	3	12KW 400V HEATING 3AC
	1	438 3021-11	Cables	Kablage	3	12KW 230V, 18KW 400V Heating
3	1	438 3021-05	Cables	Kablage	3	HEATING DS
4	1	438 3030-30	Cables	Kablage	3	THERMOSTAT,X72
5	1	438 3086-01	Cables	Kablage	3	COLD WATER, X75
6	1	438 3084-01	Cables	Kablage	3	HOT WATER, X77
7	1	438 3082-04	Cables	Kablage	3	COLD HARD WATER, X76
8	1	438 3019-29	Cables	Kablage	3	DRAIN VALVE,WATER CONTROLLED
	1	438 3019-68	Cables	Kablage	3	DRAIN VALVE,EL. CONTROLLED
9	1	438 3086-15	Cables	Kablage	3	LEVEL CONTROL, X78
10	1	438 3019-34	Cables	Kablage	3	COIN-METER, X79
11	1	438 3019-39	Cables	Kablage	3	ESSEX COIN-METER, X79,X80
12	1	438 3019-44	Cables	Kablage	3	EXTERNAL COIN-METER
13	1	438 3019-21	Cables	Kablage	3	GROUND(GREENWALD)
14	1	438 3031-10	Cables	Kablage	3	MOTOR RELAY,X85
15	1	438 3010-13	Cables	Kablage	3	EXTRA CAPACITOR
16	1	438 3082-11	Cables	Kablage	3	2-POLE TRAF0 IN,X80 2-POLE TRAF0 IN, X86
17	1	438 3031-66	Cables	Kablage	3	2-POLE TRAF0
18	1	438 3031-32	Cables	Kablage	3	2-POLE IN,X80 2-POLE IN, X86
19	1	471 8748-01	Cables	Kablage	3	230V MOTOR PLUG
	1	471 8748-02	Cables	Kablage	3	400V MOTOR PLUG
20	1	438 3014-16	Cables	Kablage	3	MOTOR 1AC WITH START RELAY
	1	438 3014-35	Cables	Kablage	3	MOTOR 3AC
21	1	438 3019-23	Cables	Kablage	3	GROUND MOTOR/FRAME
22	1	438 3030-05	Cables	Kablage	3	X71-X82
23	1	438 3031-00	Cables	Kablage	3	ROTARY SWITCH, X83-X183
24	1	438 3030-40	Cables	Kablage	3	PUSH BUTTON, X73-X173
25	1	438 3030-42	Cables	Kablage	3	PUSH BUTTON,X74-X174, ONLY P3
26	1	438 3082-15	Cable set	Kabelsats	3	PILOT LAMP,X81
27	1	438 3019-22	Cables	Kablage	3	GROUND,HEATING ELEMENTS
28	1	438 3021-04	Cables	Kablage	3	DS,NEUTRAL HARNESS



Issue	Month	Year
04	09	97

1203,W160 92/6308-

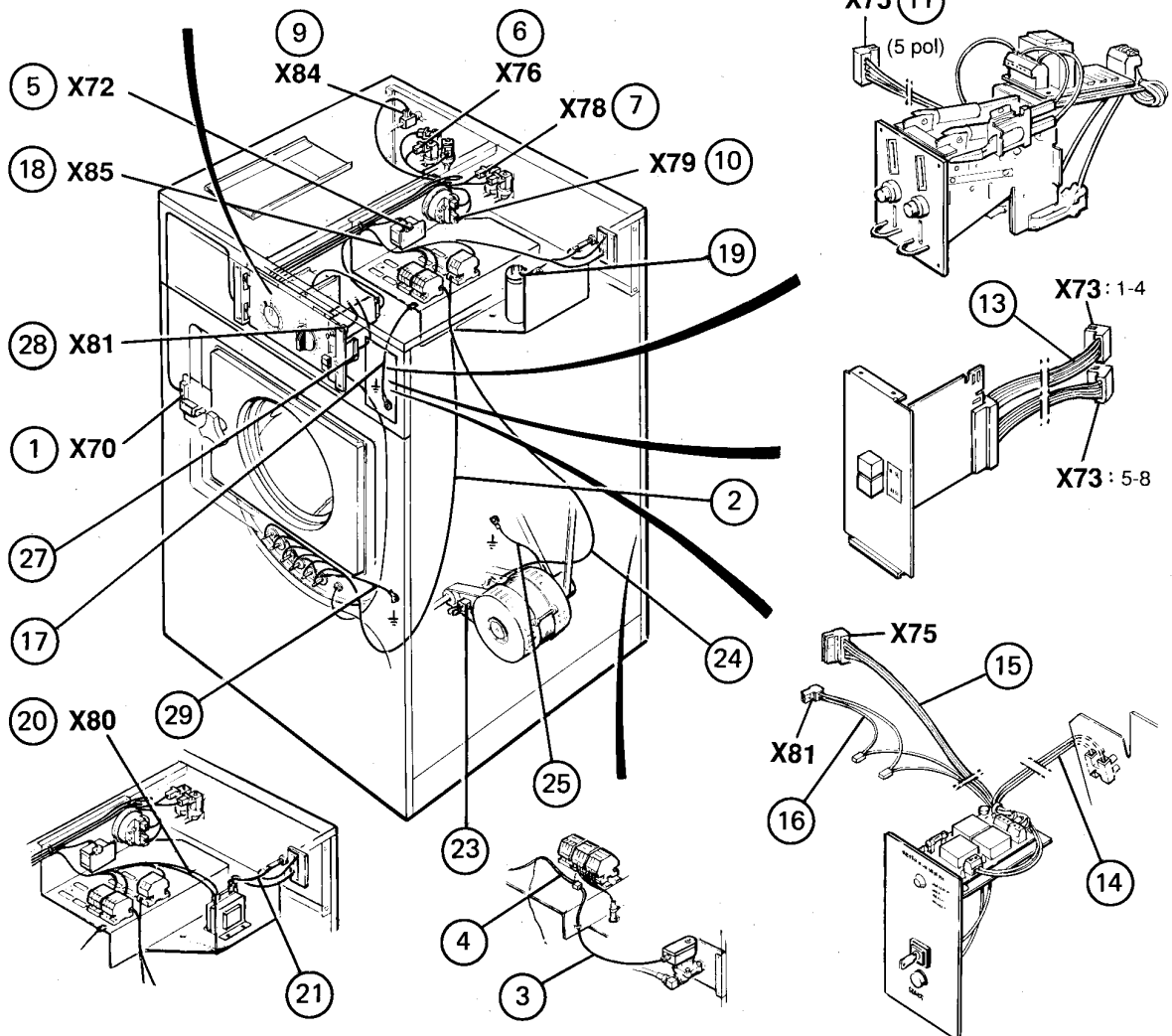
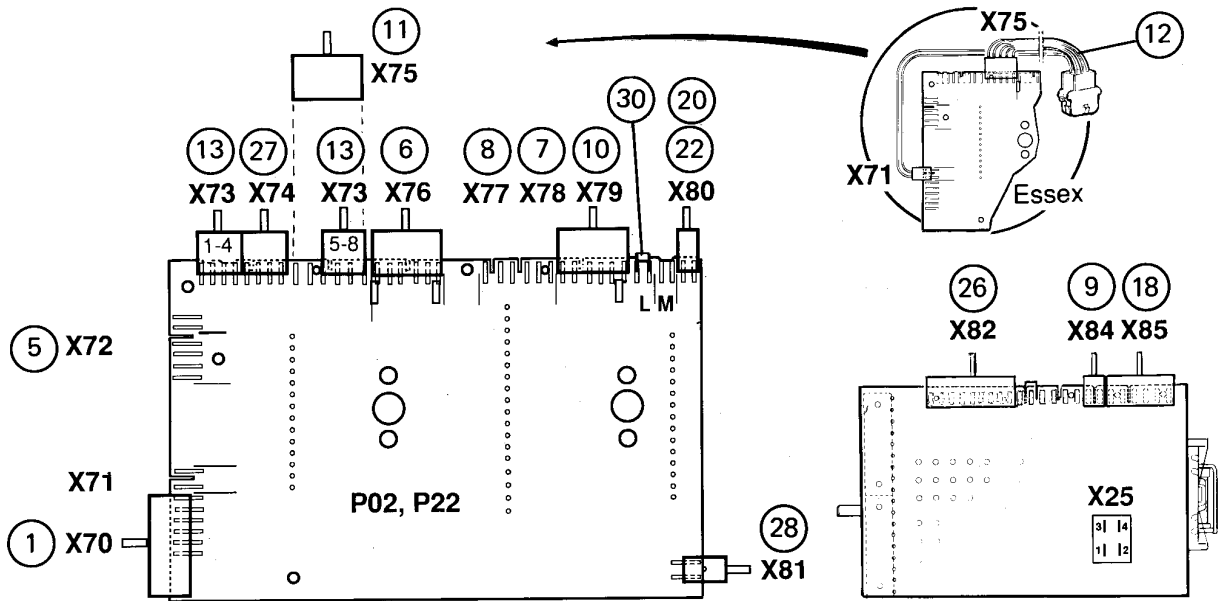
Cables P01,11,21,31,61

Illustration Issue Month Year
Illustration Utgåva Månad År

Kablage P01,11,21,31,61

101140/4 3 11 1996

Item Pos.	Qua. Ant.	Art.No Art.nr	Description	Benämning	Info Info	Notes Anmärkning
1	1	438 3010-10	Cables	Kablage	3	DOOR LOCK,X70, -93/12079
	1	438 3089-03	Cables	Kablage	3	DOOR LOCK,X70, 93/12080-
2	1	438 3021-07	Cables	Kablage	3	4,8KW 400V HEATING 3AC
	1	438 3021-32	Cables	Kablage	3	12KW 400V HEATING 3AC
	1	438 3021-30	Cables	Kablage	3	12KW 230V, 18KW 400V Heating
3	1	438 3021-05	Cables	Kablage	3	HEATING DS
4	1	438 3021-04	Cables	Kablage	3	DS,NEUTRAL HARNESS
5	1	438 3086-08	Cables	Kablage	3	THERMOSTAT,X72
6	1	438 3086-01	Cables	Kablage	3	COLD WATER, X75
7	1	438 3084-01	Cables	Kablage	3	HOT WATER, X77
8	1	438 3082-04	Cables	Kablage	3	COLD HARD WATER, X76
9	1	438 3019-29	Cables	Kablage	3	DRAIN VALVE,WATER CONTROLLED
	1	438 3019-68	Cables	Kablage	3	DRAIN VALVE,EL. CONTROLLED
10	1	438 3086-06	Cables	Kablage	3	LEVEL CONTROL, X78
11	1	438 3019-34	Cables	Kablage	3	COIN-METER, X79
12	1	438 3019-39	Cables	Kablage	3	ESSEX COIN-METER, X79,X80
13	1	438 3019-44	Cables	Kablage	3	EXTERNAL COIN-METER
14	1	438 3019-07	Cables	Kablage	3	CP800
15	1	438 3019-01	Cables	Kablage	3	CP800 START, X79
16	1	438 3019-03	Cables	Kablage	3	CP800,X81
17	1	438 3019-21	Cables	Kablage	3	GROUND(GREENWALD)
18	1	438 3030-05	Cables	Kablage	3	X71-X82
19	1	438 3014-02	Cables	Kablage	3	MOTOR RELAY,X85
	1	438 3014-53	Cables	Kablage	3	MOTOR RELAY,NEUTRAL SIDE
20	1	438 3010-13	Cables	Kablage	3	EXTRA CAPACITOR
21	1	438 3082-12	Cables	Kablage	3	2-POLE TRAF0 IN,X80 2-POLE TRAF0 IN, X86
22	1	438 3009-11	Cables	Kablage	3	2-POLE TRAF0
23	1	438 3019-19	Cables	Kablage	3	2-POLE IN,X80 2-POLE IN, X86
24	1	471 8748-01	Cables	Kablage	3	230V MOTOR PLUG
	1	471 8748-02	Cables	Kablage	3	400V MOTOR PLUG
25	1	438 3014-21	Cables	Kablage	3	MOTOR START RELAY, -93/11525
	1	438 3014-22	Cables	Kablage	3	MOTOR START RELAY, 93/11526-
	1	438 3014-24	Cables	Kablage	3	MOTOR 3AC
26	1	438 3019-23	Cables	Kablage	3	GROUND MOTOR/FRAME
27	1	438 3031-00	Cables	Kablage	3	ROTARY SWITCH, X83-X183
28	1	438 3030-40	Cables	Kablage	3	PUSH BUTTON, X73-X173
29	1	438 3030-42	Cables	Kablage	3	PUSH BUTTON,X74-X174, ONLY P3
30	1	438 3082-15	Cable set	Kabelsats	3	PILOT LAMP,X81
31	1	438 3019-22	Cables	Kablage	3	GROUND,HEATING ELEMENTS
32	1	438 3014-11	Cables	Kablage	3	LC-FILTER 1AC, 94/20569-
	1	438 3014-13	Cables	Kablage	3	LC-FILTER 3AC, 94/20569-
	1	438 3014-12	Cables	Kablage	3	LC-FILTER 3AC TRAF0, 94/20569-



Issue	Month	Year
02	08	95

1203,W160 -92/6307

Cables P02,22

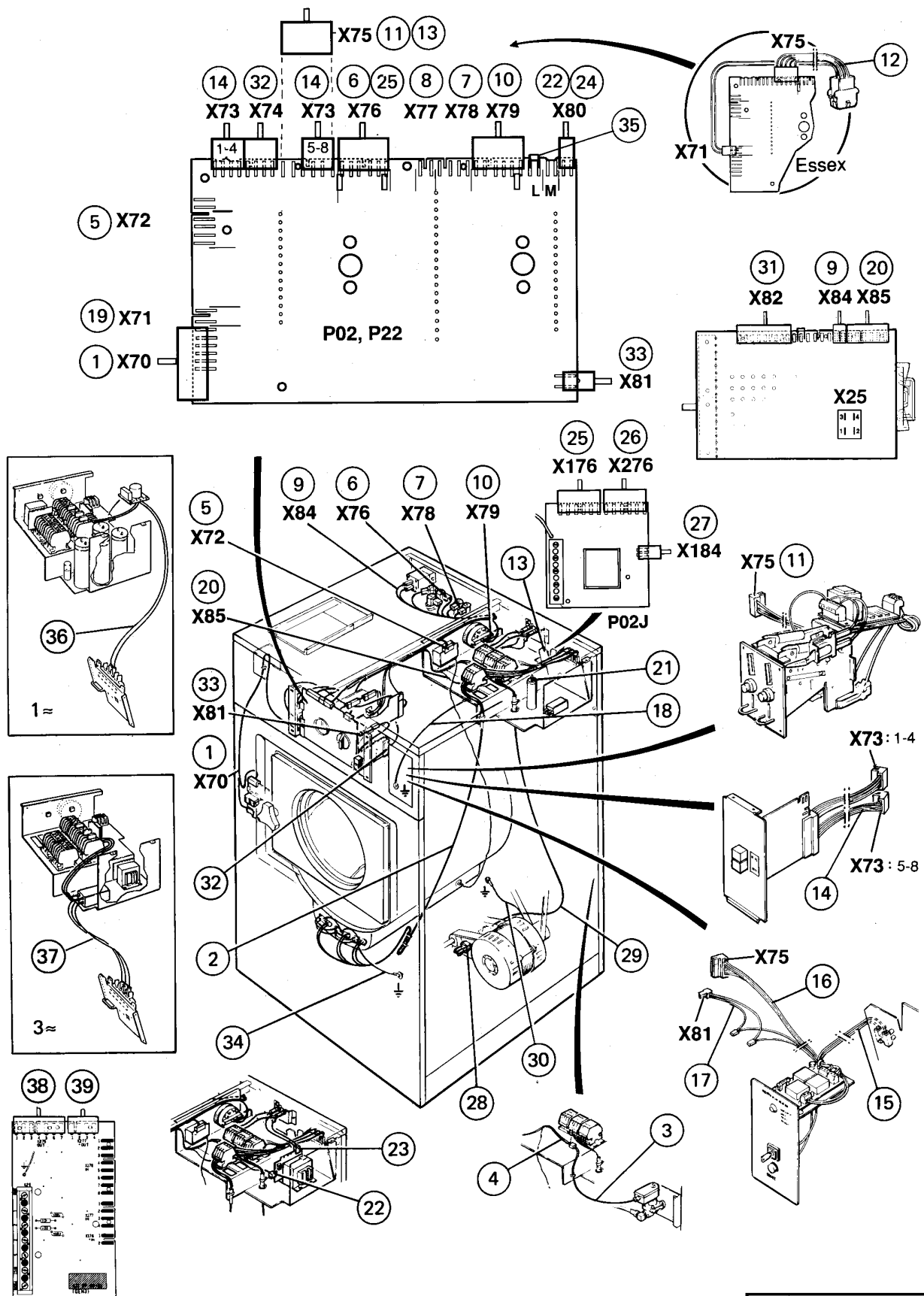
Illustration Issue Month Year

Illustration Utgåva Månad År

Kablage P02,22

101141/2 4 7 1997

Item Pos.	Qua. Ant.	Art.No Art.nr	Description	Benämning	Info Info	Notes Anmärkning
1	1	438 3030-10	Cables	Kablage	3	DOOR LOCK,X70
2	1	438 3021-06	Cables	Kablage	3	4,8KW 400V HEATING 3AC
	1	438 3021-10	Cables	Kablage	3	12KW 400V HEATING 3AC
	1	438 3021-11	Cables	Kablage	3	12KW 230V, 18KW 400V Heating
3	1	438 3021-05	Cables	Kablage	3	HEATING DS
4	1	438 3021-04	Cables	Kablage	3	DS,NEUTRAL HARNESS
5	1	438 3030-30	Cables	Kablage	3	THERMOSTAT,X72
6	1	438 3086-01	Cables	Kablage	3	COLD WATER,X76
7	1	438 3084-01	Cables	Kablage	3	HOT WATER,X76
8	1	438 3082-04	Cables	Kablage	3	COLD HARD WATER,X77
9	1	438 3019-29	Cables	Kablage	3	DRAIN VALVE,WATER CONTROLLED
	1	438 3019-68	Cables	Kablage	3	DRAIN VALVE,EL. CONTROLLED
10	1	438 3086-15	Cables	Kablage	3	LEVEL CONTROL,X79
11	1	438 3019-37	Cables	Kablage	3	COIN-METER,X75
12	1	438 3019-32	Cables	Kablage	3	ESSEX COIN-METER,X71,X75
13	1	438 3030-41	Cables	Kablage	3	MANUAL START,X73
14	1	438 3019-07	Cables	Kablage	3	CP800
15	1	438 3019-02	Cables	Kablage	3	CP800 START,X75
16	1	438 3019-03	Cables	Kablage	3	CP800,X81
17	1	438 3019-43	Cables	Kablage	3	GROUND(GREENWALD)
18	1	438 3031-10	Cables	Kablage	3	MOTOR RELAY,X85
19	1	438 3010-13	Cables	Kablage	3	EXTRA CAPACITOR
20	1	438 3082-11	Cables	Kablage	3	2-POLE TRAFO IN,X80
21	1	438 3031-66	Cables	Kablage	3	2-POLE TRAFO
22	1	438 3031-32	Cables	Kablage	3	2-POLE IN,X80
23	1	471 8748-01	Cables	Kablage	3	230V MOTOR PLUG
	1	471 8748-02	Cables	Kablage	3	400V MOTOR PLUG
24	1	438 3014-16	Cables	Kablage	3	MOTOR WITH START RELAY
	1	438 3014-35	Cables	Kablage	3	MOTOR 3AC
25	1	438 3019-23	Cables	Kablage	3	GROUND MOTOR/FRAME
26	1	438 3031-00	Cables	Kablage	3	ROTARY SWITCH,X82-X182
27	1	438 3084-05	Cables	Kablage	3	STOP,X74-X174
28	1	438 3082-15	Cable set	Kabelsats	3	PILOT LAMP,X81
29	1	438 3019-22	Cables	Kablage	3	GROUND,HEATING ELEMENTS
30	1	472 9913-43	Clamp	Bygel	3	Kit 25 pcs



Issue	Month	Year
05	09	97

1203,W160 92/6308-

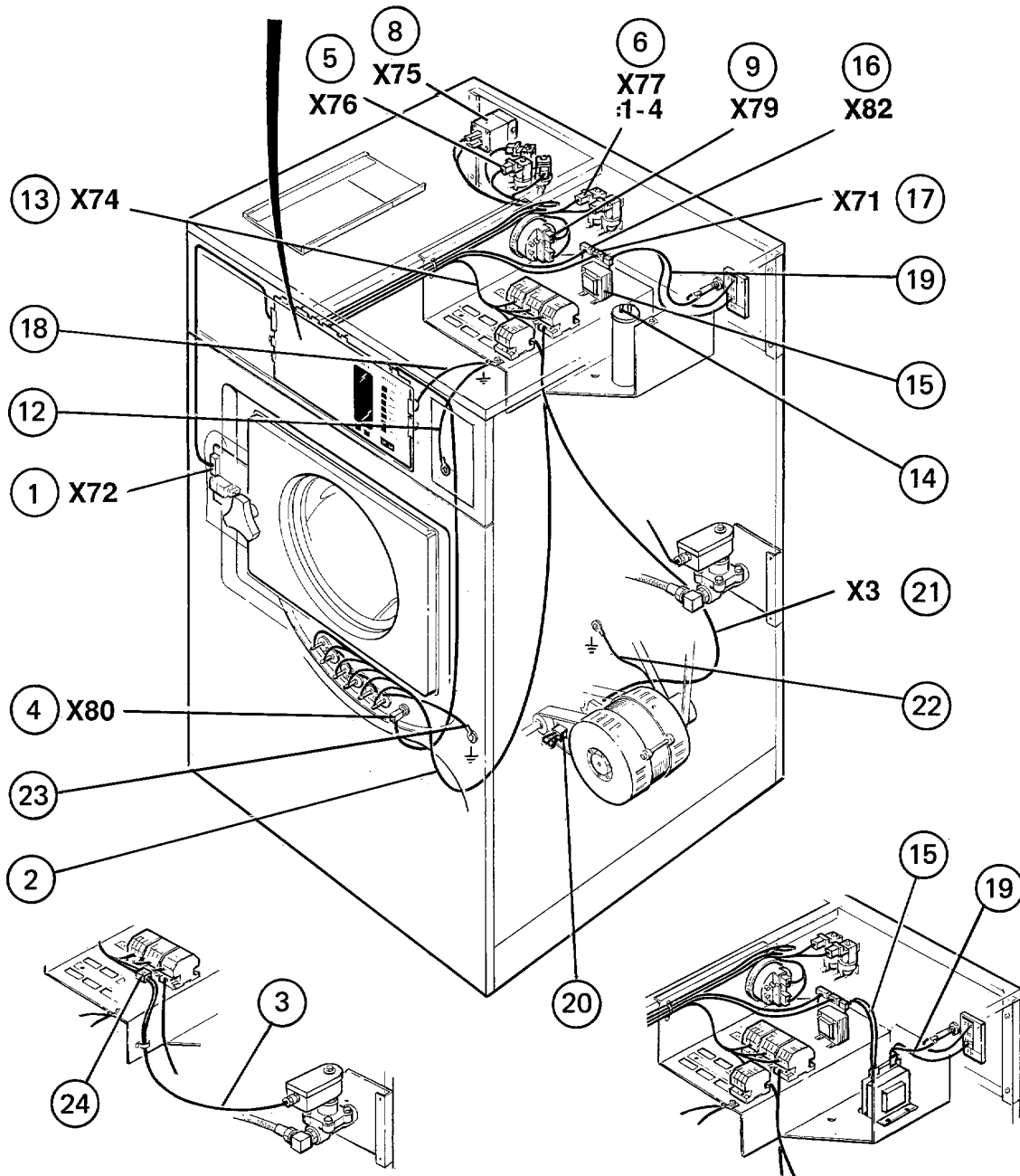
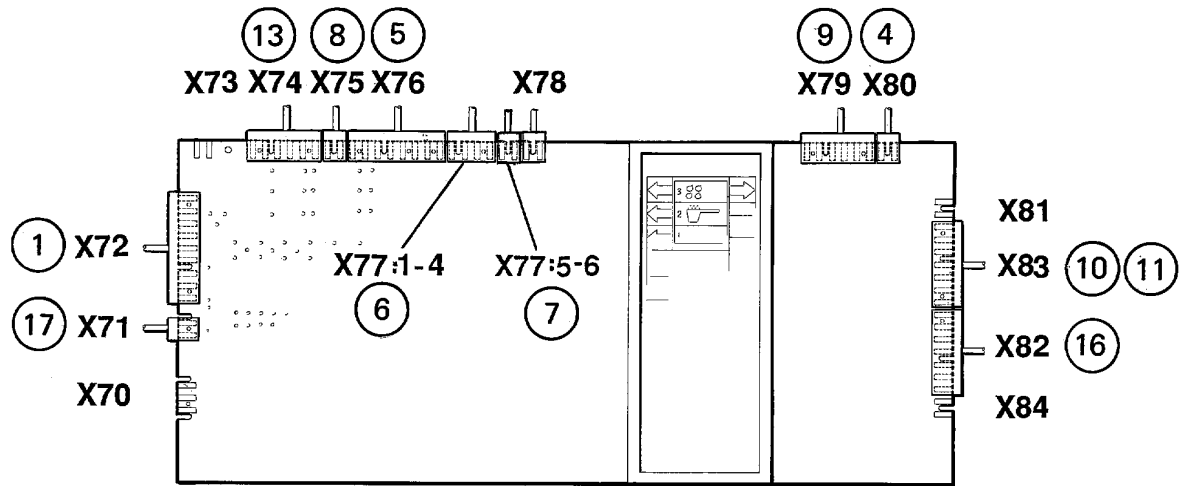
Cables P02,22

Illustration Issue Month Year
Illustration Utgåva Månad År

Kablage P02,22

101144/5 3 11 1996

Item Pos.	Qua. Ant.	Art.No Art.nr	Description	Benämning	Info Info	Notes Anmärkning
1	1	438 3010-10	Cables	Kablage	3	DOOR LOCK,X70, -93/12079
	1	438 3089-03	Cables	Kablage	3	DOOR LOCK,X70, 93/12080-
2	1	438 3021-07	Cables	Kablage	3	4,8KW 400V HEATING 3AC
	1	438 3021-32	Cables	Kablage	3	12KW 400V HEATING 12KW 400V
	1	438 3021-30	Cables	Kablage	3	12KW 230V, 18KW 400V Heating
3	1	438 3021-05	Cables	Kablage	3	HEATING DS
4	1	438 3021-04	Cables	Kablage	3	DS,NEUTRAL HARNESS
5	1	438 3086-08	Cables	Kablage	3	THERMOSTAT,X72
6	1	438 3086-01	Cables	Kablage	3	COLD WATER,X76
7	1	438 3084-01	Cables	Kablage	3	HOT WATER,X78
8	1	438 3082-04	Cables	Kablage	3	COLD HARD WATER,X77
9	1	438 3019-29	Cables	Kablage	3	DRAIN VALVE,WATER CONTROLLED
	1	438 3019-68	Cables	Kablage	3	DRAIN VALVE,EL. CONTROLLED
	1	438 3019-13	Cables	Kablage	3	DRAIN VALVE N.C.,4-POLE
10	1	438 3086-06	Cables	Kablage	3	LEVEL CONTROL,X79
	1	438 3086-60	Cables	Kablage	3	LEVEL CONTROL,X79 JAPAN, P02J
11	1	438 3019-37	Cables	Kablage	3	COIN-METER,X75
12	1	438 3019-32	Cables	Kablage	3	ESSEX COIN-METER,X71,X75
13	1	438 3019-82	Cables	Kablage	3	COGES COIN-METER,X75
14	1	438 3030-41	Cables	Kablage	3	MANUAL START,X73
15	1	438 3019-07	Cables	Kablage	3	CP800
16	1	438 3019-02	Cables	Kablage	3	CP800 START,X75
17	1	438 3019-03	Cables	Kablage	3	CP800,X81
18	1	438 3019-21	Cables	Kablage	3	GROUND(GREENWALD)
19	1	438 3019-46	Cables	Kablage	3	RAPID ADVANCE,X71
20	1	438 3014-02	Cables	Kablage	3	MOTOR RELAY,X85
21	1	438 3010-13	Cables	Kablage	3	EXTRA CAPACITOR
22	1	438 3082-12	Cables	Kablage	3	2-POLE TRAF0 IN,X80
23	1	438 3009-11	Cables	Kablage	3	2-POLE TRAF0
24	1	438 3019-19	Cables	Kablage	3	2-POLE IN,X80
25	1	438 3086-09	Cables	Kablage	3	X76-X176,JAPAN,P02J
26	1	438 3030-62	Cables	Kablage	3	COLD WATER,X276,JAPAN, P02J
27	1	438 3019-49	Cables	Kablage	3	LEVEL CONTROL,X184,P02J
28	1	471 8748-01	Cables	Kablage	3	230V MOTOR PLUG
	1	471 8748-02	Cables	Kablage	3	400V MOTOR PLUG
29	1	438 3014-21	Cables	Kablage	3	MOTOR START RELAY, -93/11525
	1	438 3014-22	Cables	Kablage	3	MOTOR START RELAY, 93/11526-
	1	438 3014-24	Cables	Kablage	3	MOTOR 3AC
30	1	438 3019-23	Cables	Kablage	3	GROUND MOTOR/FRAME
31	1	438 3089-05	Cables	Kablage	3	ROTARY SWITCH,X82-X182
32	1	438 3084-05	Cables	Kablage	3	STOP,X74-X174
	1	438 3019-47	Cables	Kablage	3	COGES
33	1	438 3082-15	Cable set	Kabelsats	3	PILOT LAMP,X81
34	1	438 3019-22	Cables	Kablage	3	GROUND,HEATING ELEMENTS
35	1	472 9913-43	Clamp	Bygel	3	Kit 25 pcs
	1	438 3014-11	Cables	Kablage	3	LC-FILTER 1AC, 94/20569-
	1	438 3014-13	Cables	Kablage	3	LC-FILTER 3AC, 94/20569-
	1	438 3014-12	Cables	Kablage	3	LC-FILTER 3AC TRAF0, 94/20569-



Issue	Month	Year
06	02	94

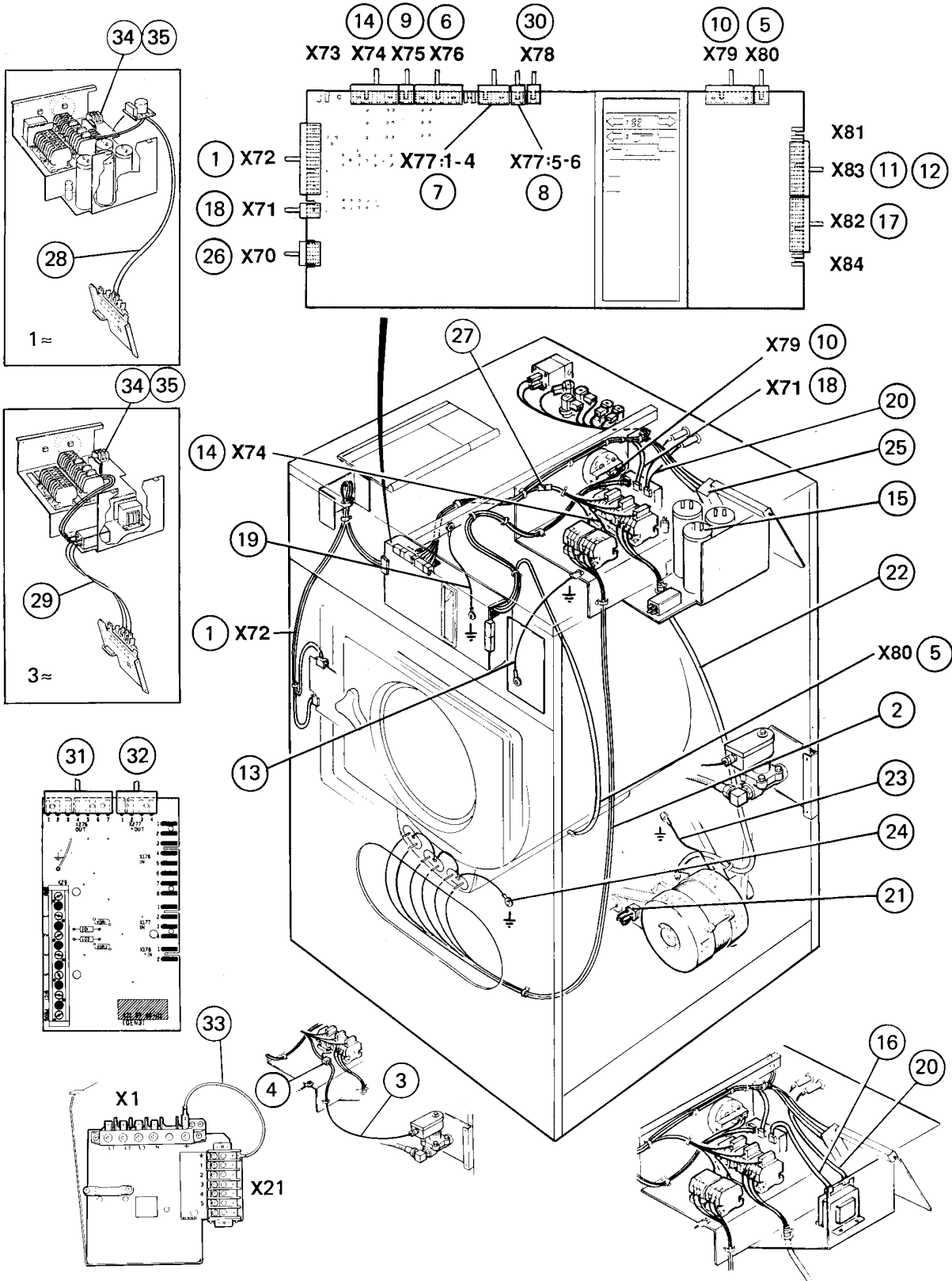
1203E,W160MP -92/6307**Cables**

Illustration	Issue	Month	Year
Illustration	Utgåva	Månad	År

Kablage

100728/6	3	11	1996
-----------------	----------	-----------	-------------

Item Pos.	Qua. Ant.	Art.No Art.nr	Description	Benämning	Info Info	Notes Anmärkning
1	1	438 3030-10	Cables	Kablage	3	DOOR LOCK,X72
2	1	438 3021-06	Cables	Kablage	3	4,8KW 400V HEATING 3AC
	1	438 3021-10	Cables	Kablage	3	12KW 400V HEATING 12KW 400V
	1	438 3021-11	Cables	Kablage	3	12KW 230V, 18KW 400V Heating
3	1	438 3021-05	Cables	Kablage	3	HEATING DS
4	1	438 3082-07	Cables	Kablage	3	TEMP SENSOR,X80
5	1	438 3086-01	Cables	Kablage	3	COLD WATER,X76
6	1	438 3084-09	Cables	Kablage	3	HOT WATER,X77:1-4
7	1	438 3082-04	Cables	Kablage	3	COLD HARD WATER,X77:5-6
8	1	438 3019-29	Cables	Kablage	3	DRAIN VALVE,WATER CONTROLLED
	1	438 3019-68	Cables	Kablage	3	DRAIN VALVE,EL. CONTROLLED
9	1	438 3086-15	Cables	Kablage	3	LEVEL CONTROL,X79
10	1	438 3030-83	Cables	Kablage	3	COIN-METER,X83
11	1	438 3019-41	Cables	Kablage	3	PRICE PROGRAMMING
12	1	438 3019-21	Cables	Kablage	3	GROUND(GREENWALD)
13	1	438 3031-11	Cables	Kablage	3	MOTOR RELAY,X74
14	1	438 3010-13	Cables	Kablage	3	EXTRA CAPACITOR
15	1	438 3082-13	Cables	Kablage	3	2-pole trafo-trafo
16	1	438 3031-60	Cables	Kablage	3	TRAFO,X82,7-POLE
17	1	438 3082-11	Cables	Kablage	3	2-POLE TRAFO IN,X80 2-POLE,X71
18	1	438 3019-24	Cables	Kablage	3	GROUND,PC-BOARD
19	1	438 3031-66	Cables	Kablage	3	2-POLE TRAFO
20	1	471 8748-01	Cables	Kablage	3	230V MOTOR PLUG
	1	471 8748-02	Cables	Kablage	3	400V MOTOR PLUG
21	1	438 3014-10	Cables	Kablage	3	MOTOR WITH START RELAY
	1	438 3014-30	Cables	Kablage	3	MOTOR 3AC
22	1	438 3019-23	Cables	Kablage	3	GROUND MOTOR/FRAME
23	1	438 3019-22	Cables	Kablage	3	GROUND,HEATING ELEMENTS
24	1	438 3021-04	Cables	Kablage	3	DS,NEUTRAL HARNESS



Issue	Month	Year
06	12	97

1203E,W160MP 92/6308-

Cables

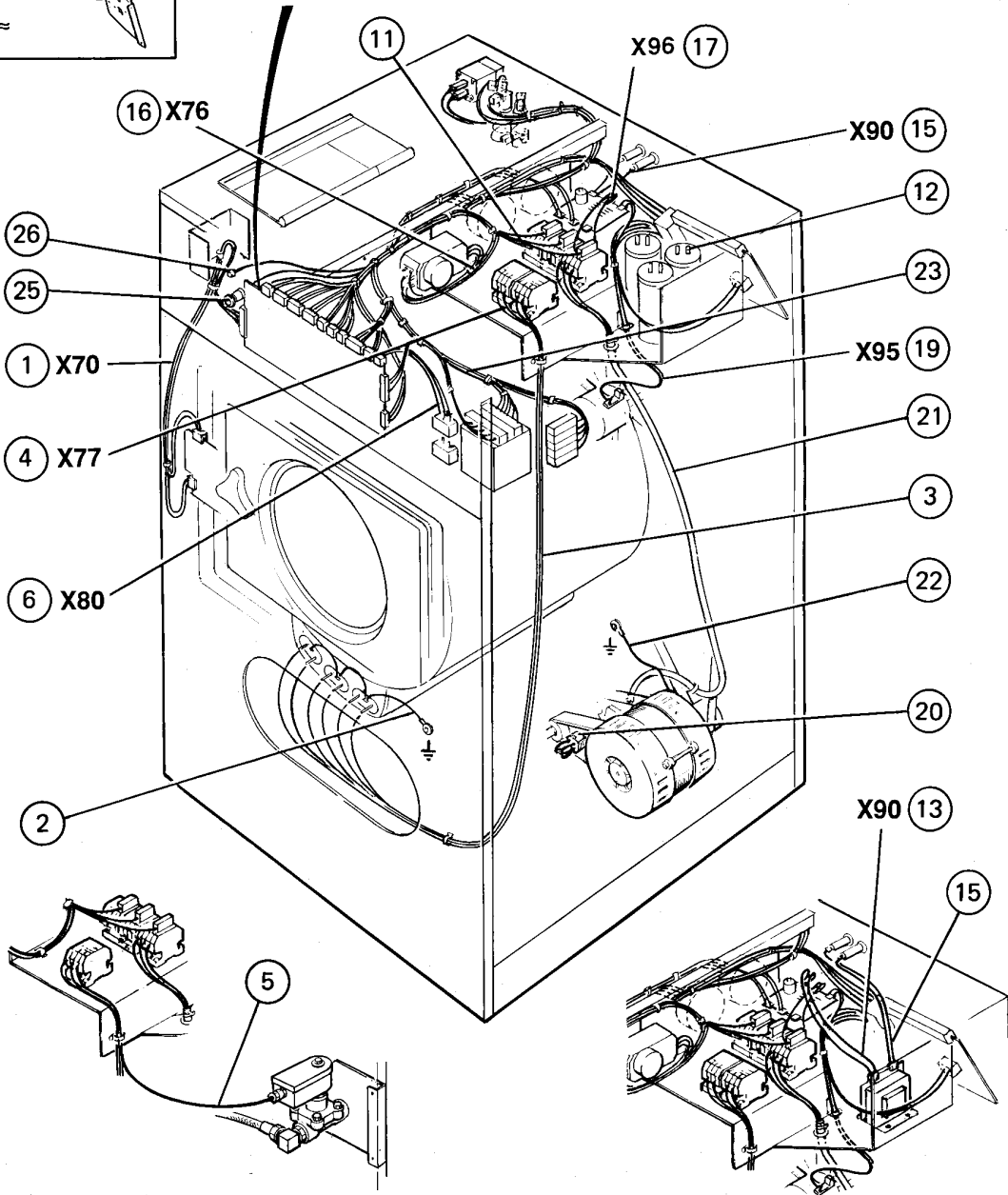
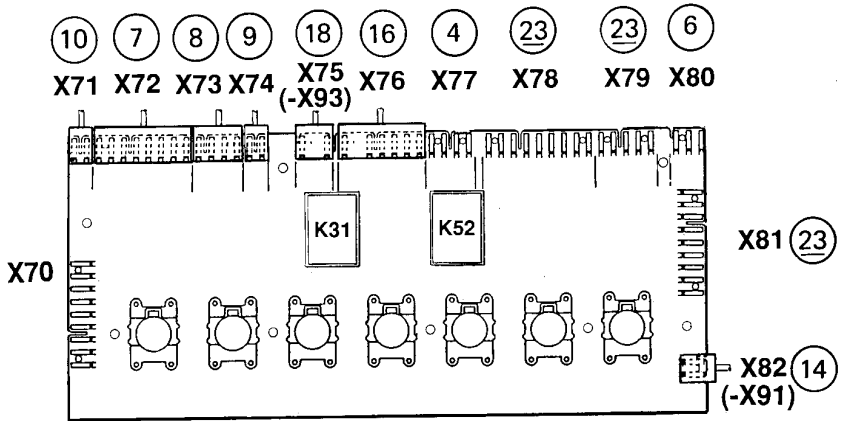
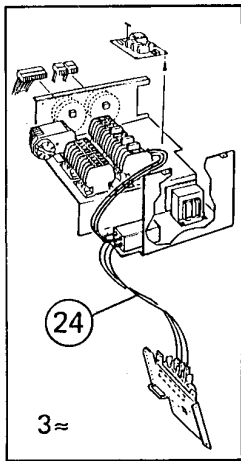
Illustration Issue Month Year

Illustration Utgåva Månad År

Kablage

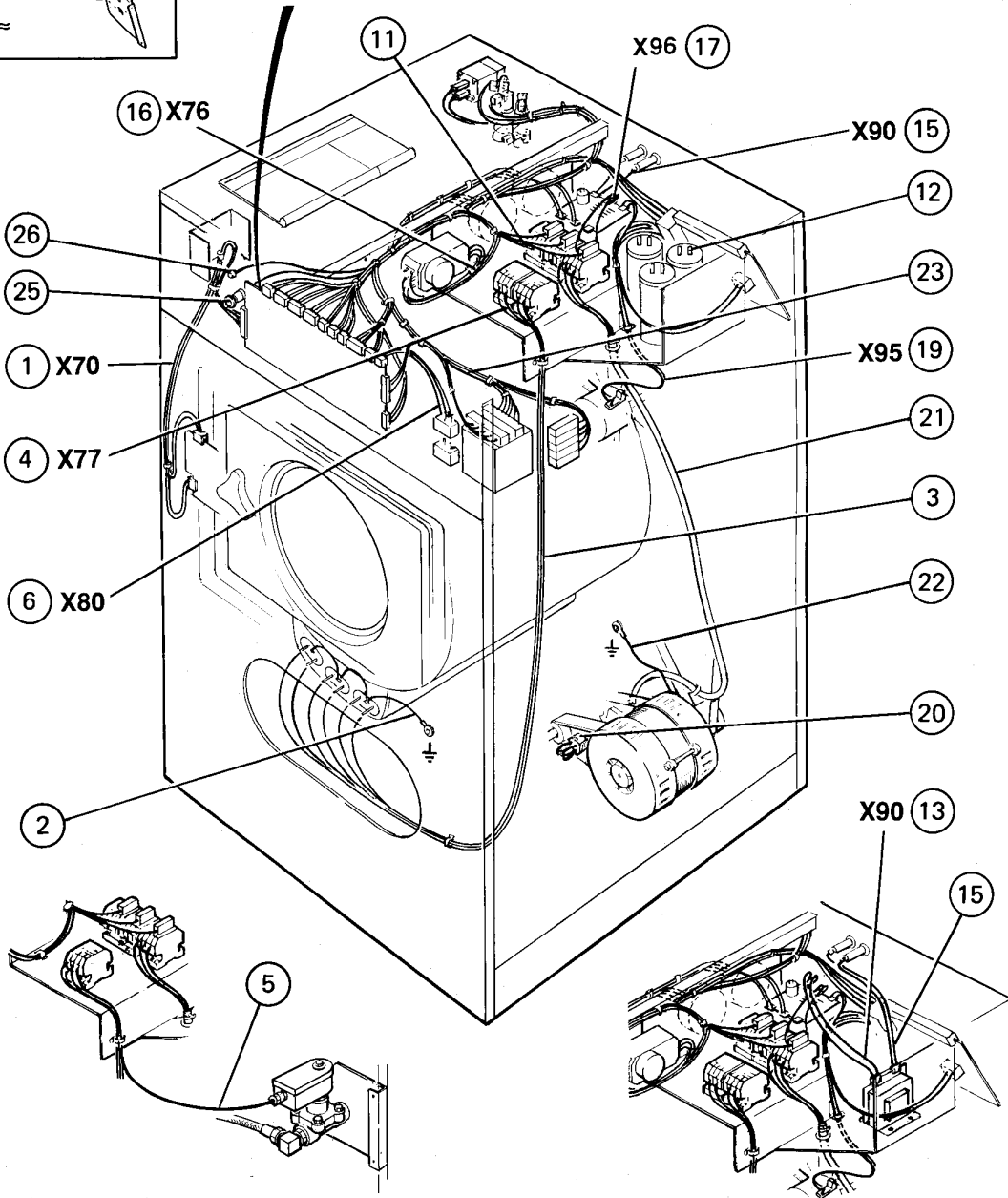
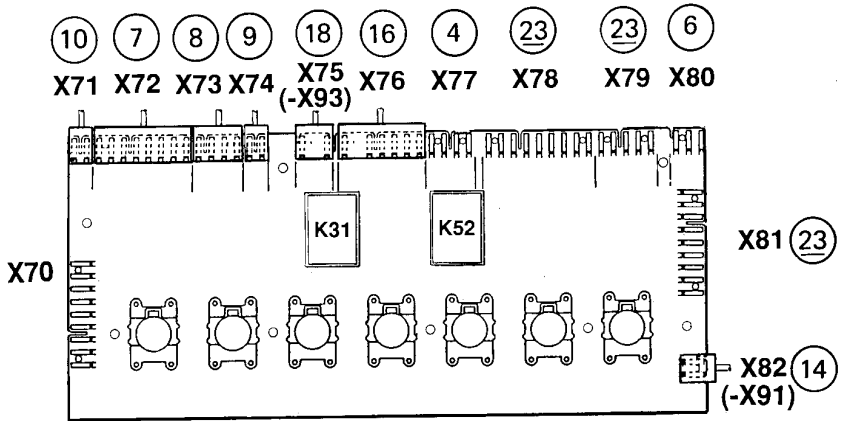
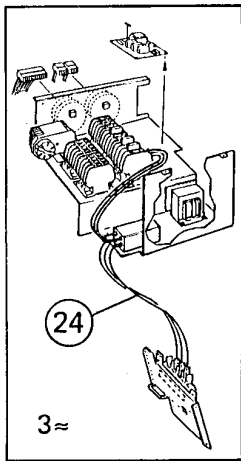
101137/6 5 11 1996

Item Pos.	Qua. Ant.	Art.No Art.nr	Description	Benämning	Info Info	Notes Anmärkning
1	1	438 3087-02	Cables	Kablage	3	DOOR LOCK,X72, -93/12079
	1	438 3087-06	Cables	Kablage	3	DOOR LOCK,X72, 93/12080-
2	1	438 3021-07	Cables	Kablage	3	4,8KW 400V HEATING 3AC
	1	438 3021-32	Cables	Kablage	3	12KW 400V HEATING 12KW 400V
	1	438 3021-30	Cables	Kablage	3	12KW 230V, 18KW 400V Heating
3	1	438 3021-05	Cables	Kablage	3	HEATING DS
4	1	438 3021-04	Cables	Kablage	3	DS,NEUTRAL
5	1	438 3082-07	Cables	Kablage	3	TEMP SENSOR,X80
6	1	438 3086-01	Cables	Kablage	3	COLD WATER,X76
	1	438 3088-07	Cables	Kablage	3	X76-X176, LIQUID DETERGENT
7	1	438 3084-01	Cables	Kablage	3	HOT WATER,X77:1-4
	1	438 3084-21	Cables	Kablage	3	X77-X177, LIQUID DETERGENT
8	1	438 3082-04	Cables	Kablage	3	COLD HARD WATER,X77:5-6
9	1	438 3019-29	Cables	Kablage	3	DRAIN VALVE,WATER CONTROLLED
	1	438 3019-68	Cables	Kablage	3	DRAIN VALVE,EL. CONTROLLED
10	1	438 3086-06	Cables	Kablage	3	LEVEL CONTROL,X79
11	1	438 3030-83	Cables	Kablage	3	COIN-METER,X83
12	1	438 3019-41	Cables	Kablage	3	PRICE PROGRAMMING
13	1	438 3019-21	Cables	Kablage	3	GROUND(GEEENWALD)
14	1	438 3019-83	Cables	Kablage	3	MOTOR RELAY,X74
15	1	438 3010-13	Cables	Kablage	3	EXTRA CAPACITOR
16	1	438 3082-13	Cables	Kablage	3	2-pole trafo-trafo
17	1	438 3087-03	Cables	Kablage	3	TRAFO,X82,7-POLE
18	1	438 3082-12	Cables	Kablage	3	2-POLE TRAFO IN,X80 X71
19	1	438 3019-24	Cables	Kablage	3	GROUND,PC-BOARD
20	1	438 3009-11	Cables	Kablage	3	2-POLE TRAFO
21	1	471 8748-01	Cables	Kablage	3	230V MOTOR PLUG
	1	471 8748-02	Cables	Kablage	3	400V MOTOR PLUG
22	1	438 3014-21	Cables	Kablage	3	MOTOR START RELAY, -93/11525
	1	438 3014-22	Cables	Kablage	3	MOTOR START RELAY, 93/11526-
	1	438 3014-24	Cables	Kablage	3	MOTOR 3AC
23	1	438 3019-23	Cables	Kablage	3	GROUND MOTOR/FRAME
24	1	438 3019-22	Cables	Kablage	3	GROUND,HEATING ELEMENTS
25	1	438 3019-27	Cables	Kablage	3	SELECTA 28
	1	438 3019-80	Cables	Kablage	3	X7-X21 94/20569-
26	1	438 3019-69	Cables	Kablage	3	ADAPTER,X70-X7, 94/20569-
27	1	438 3019-71	Cables	Kablage	3	K4-X7 94/20569-
28	1	438 3014-11	Cables	Kablage	3	LC-FILTER 1AC, 94/20569-
29	1	438 3014-13	Cables	Kablage	3	LC-FILTER 3AC, 94/20569-
	1	438 3014-12	Cables	Kablage	3	LC-FILTER 3AC TRAFO, 94/20569-
30	1	438 3082-27	Cables	Kablage	3	X78-X178,LIQUID DETERGENT
31	1	438 3030-62	Cables	Kablage	3	X276, LIQUID DETERGENT
32	1	438 3030-72	Cables	Kablage	3	X277, LIQUID DETERGENT



1203PCO,FL160**Cables**Illustration Issue Month Year
Illustration Utgåva Månad År**Kablage****101138 4 11 1996**

Item Pos.	Qua. Ant.	Art.No Art.nr	Description	Benämning	Info Info	Notes Anmärkning
1	1	438 3089-01	Cables	Kablage	3	DOOR LOCK,X70, -93/12079
	1	438 3089-02	Cables	Kablage	3	DOOR LOCK,X70, 93/12080-
2	1	438 3019-22	Cables	Kablage	3	GROUND,HEATING ELEMENTS
3	1	438 3021-07	Cables	Kablage	3	4,8KW 400V Heating
	1	438 3021-32	Cables	Kablage	3	12KW 400V HEATING 12KW 400V
	1	438 3021-30	Cables	Kablage	3	12KW 230V, 18KW 400V 3AC
4	1	438 3009-07	Cables	Kablage	3	K21,X77, -95/23226
	1	438 3009-52	Cables	Kablage	3	X77 NON-HEATED, 95/23227-
	1	438 3009-53	Cables	Kablage	3	X77 HEATED, 95/23227-
5	1	438 3021-05	Cables	Kablage	3	HEATING,DS
6	1	438 3009-20	Cables	Kablage	3	THERMOSTAT ,X80
7	1	438 3009-16	Cables	Kablage	3	COLD WATER,X72
8	1	438 3084-04	Cables	Kablage	3	HOT WATER,X73
9	1	438 3082-04	Cables	Kablage	3	COLD HARD WATER,X74
10	1	438 3019-29	Cables	Kablage	3	DRAIN VALVE,WATER CONTROLLED
	1	438 3019-68	Cables	Kablage	3	DRAIN VALVE,EL. CONTROLLED
11	1	438 3014-50	Cables	Kablage	3	MOTOR RELAY,NEUTRAL SIDE
12	1	438 3010-13	Cables	Kablage	3	EXTRA CAPACITOR
13	1	438 3082-13	Cables	Kablage	3	2-pole trafo-trafo TRAF0/ROT. GUARD -95/20568
	1	438 3009-09	Cables	Kablage	3	TRAF0/ROT 94/20569-95/23226
	1	438 3082-13	Cables	Kablage	3	2-pole trafo-trafo TRAF0/ROT. GUARD 95/23227-
14	1	438 3082-11	Cables	Kablage	3	2-POLE TRAF0 IN,X80 X82 -95/23226
	1	438 3009-50	Cables	Kablage	3	X82 95/23227-
15	1	438 3009-08	Cables	Kablage	3	ROTATION GUARD, X90 -95/23226
	1	438 3009-10	Cables	Kablage	3	X90 94/20569-95/23226
	1	438 3009-08	Cables	Kablage	3	X90 95/23227-
16	1	438 3009-02	Cables	Kablage	3	REVERSER,X76
17	1	438 3082-51	Cables	Kablage	3	ROTATION GUARD, X96 -95/26626
	1	438 3082-73	Cables	Kablage	3	ROTATION GUARD, X96 95/26627-
18	1	438 3083-01	Cables	Kablage	3	ROTATION GUARD-PC-BOARD.X75
19	1	438 3083-02	Cables	Kablage	3	SENSOR,X95
20	1	471 8748-01	Cables	Kablage	3	230V MOTOR PLUG
	1	471 8748-02	Cables	Kablage	3	400V MOTOR PLUG
21	1	438 3014-21	Cables	Kablage	3	MOTOR START RELAY, -93/11525
	1	438 3014-22	Cables	Kablage	3	MOTOR START RELAY, 93/11525-
	1	438 3014-24	Cables	Kablage	3	MOTOR 3AC
22	1	438 3019-23	Cables	Kablage	3	GROUND,MOTOR/FRAME
23	1	438 3009-01	Cables	Kablage	3	MAIN HARNESS,X78,X79,X81, ETC
24	1	438 3014-13	Cables	Kablage	3	LC-FILTER 3AC, 94/20569-
	1	438 3014-12	Cables	Kablage	3	LC-FILTER 3AC TRAF0, 94/20569-
25	1	438 3009-12	Cables	Kablage	3	K54 94/20569-95/23226
	1	438 3009-50	Cables	Kablage	3	K54 95/23227-



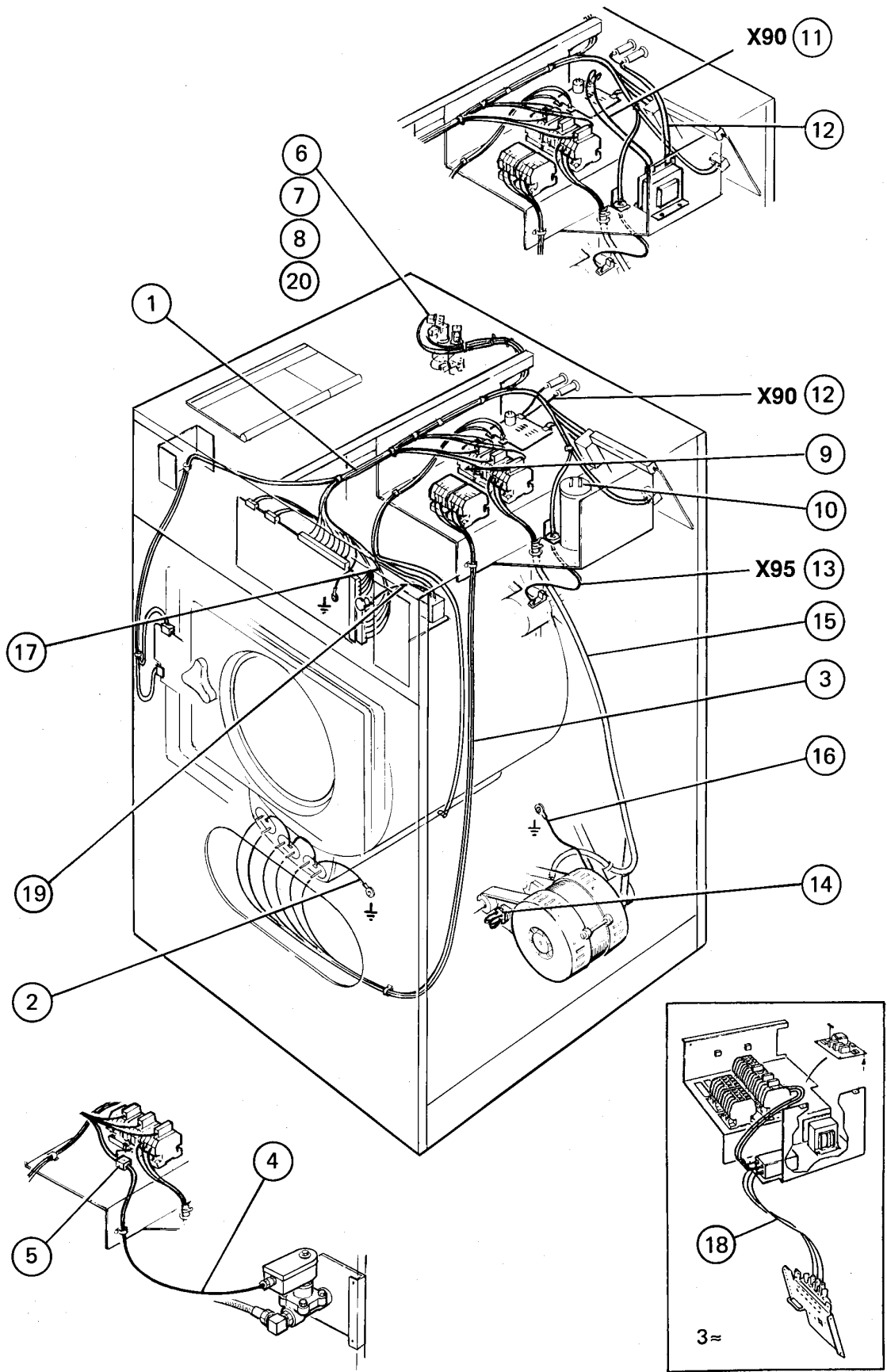
1203PCO,FL160**Cables**

Illustration Issue Month Year

Illustration Utgåva Månad År

Kablage**101138 4 11 1996**

Item Pos.	Qua. Ant.	Art.No Art.nr	Description	Benämning	Info Info	Notes Anmärkning
26	1	438 3082-22	Cables	Kablage	3	X100-LAMP 95/23227-



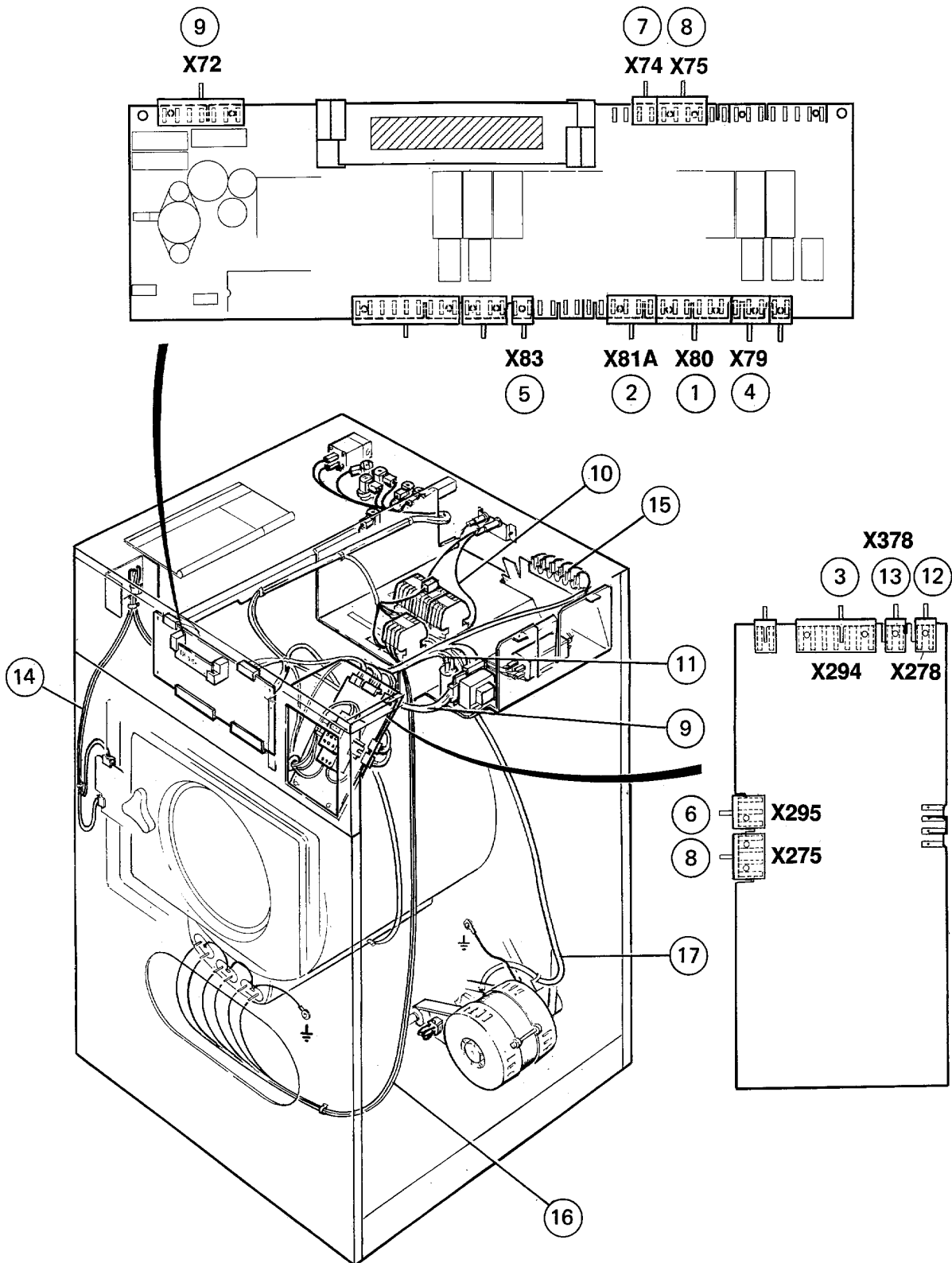
1203PEC,FL160MP**Cables**

Illustration	Issue	Month	Year
Illustration	Utgåva	Månad	År

Kablage

101139	4	11	1996
---------------	----------	-----------	-------------

Item Pos.	Qua. Ant.	Art.No Art.nr	Description	Benämning	Info Info	Notes Anmärkning
1	1	438 3009-21	Cables	Kablage	3	MAIN HARNESS -93/12079
	1	438 3009-22	Cables	Kablage	3	MAIN WIRES 93/12080-94/20568
2	1	438 3009-27	Cables	Kablage	3	MAIN WIRES 94/20569-
	1	438 3019-22	Cables	Kablage	3	GROUND,HEATING ELEMENTS
3	1	438 3021-07	Cables	Kablage	3	4,8KW 400V Heating 92/6308-
	1	438 3021-32	Cables	Kablage	3	12KW 400V Heating 92/6308-
	1	438 3021-30	Cables	Kablage	3	12KW 230V, 18KW 400V 92/6308-
4	1	438 3021-05	Cables	Kablage	3	HEATING,DS
5	1	438 3021-04	Cables	Kablage	3	DS, NEUTRAL HARNESS
6	1	438 3009-13	Cables	Kablage	3	C+H ,WATER CONTROLLED DRAIN
	1	438 3009-17	Cables	Kablage	3	C+H ,EL. CONTROLLED DRAIN
7	1	438 3009-15	Cables	Kablage	3	C+HD ,WATER CONTR. DRAIN
	1	438 3009-18	Cables	Kablage	3	C+HD ,EL.CONTROLLED DRAIN
	1	438 3009-14	Cables	Kablage	3	C+H+HD WATER CONTROLLED DRAIN
8						Not used
9	1	438 3014-51	Cables	Kablage	3	MOTOR RELAY,NEUTRAL SIDE
10	1	438 3010-13	Cables	Kablage	3	EXTRA CAPACITOR
11	1	438 3082-13	Cables	Kablage	3	2-pole trafo-trafo TRAFO/ROTATION GUARD
12	1	438 3009-11	Cables	Kablage	3	2-POLE TRAFO ROTATION GUARD,X93
13	1	438 3083-02	Cables	Kablage	3	SENSOR,X95
14	1	471 8748-01	Cables	Kablage	3	230V MOTOR PLUG
	1	471 8748-02	Cables	Kablage	3	400V MOTOR PLUG
15	1	438 3014-21	Cables	Kablage	3	MOTOR START RELAY, -93/11525
	1	438 3014-22	Cables	Kablage	3	MOTOR START RELAY, 93/11526-
	1	438 3014-24	Cables	Kablage	3	MOTOR 3AC
16	1	438 3019-23	Cables	Kablage	3	GROUND,MOTOR/FRAME
17	1	438 3009-24	Cables	Kablage	3	LOW VOLTAGE -94/20568
	1	438 3009-26	Cables	Kablage	3	LOW VOLTAGE 94/20569-
18	1	438 3014-13	Cables	Kablage	3	LC-FILTER 3AC, 94/20569-
	1	438 3014-12	Cables	Kablage	3	LC-FILTER 3AC TRAFO, 94/20569-
19	1	438 3019-90	Cables	Kablage	3	LC2, 94/20569-
20	1	438 3009-14	Cables	Kablage	3	COLD+HOT+HARD WATER 94/19559-



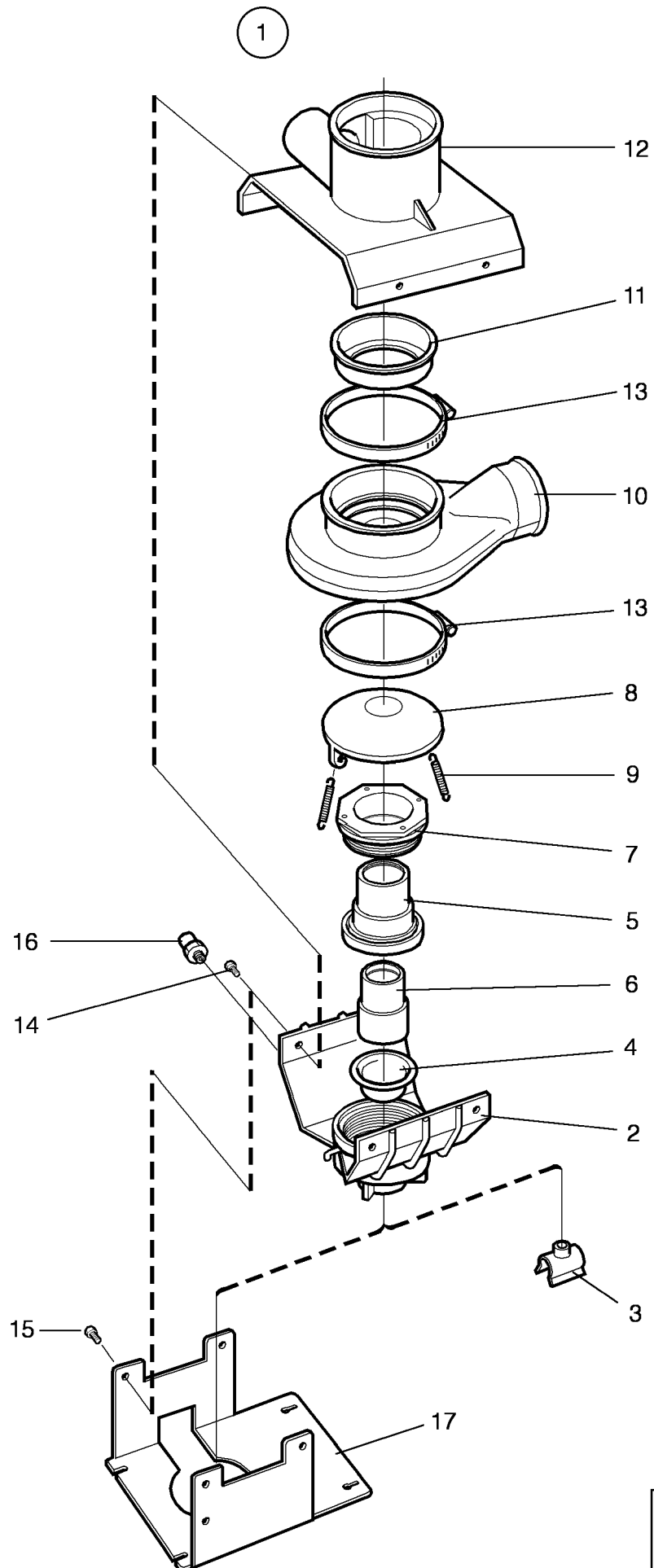
W160CC**Cables**

Illustration Issue Month Year

Illustration Utgåva Månad År

Kablage**101363/1 2 10 1997**

Item Pos.	Qua. Ant.	Art.No Art.nr	Description	Benämning	Info Info	Notes Anmärkning
1	1	438 3086-19	Cables	Kablage	3	Cold water, X80
2	1	438 3084-08	Cables	Kablage	3	HOT WATER, X81A
3	1	438 3014-19	Cables	Kablage	3	RDC-CARD-MOTOR RELAY, X294
4	1	438 5450-35	Cables	Kablage	3	DRAIN VALVE, X79
5	1	438 3021-33	Cables	Kablage	3	HEATING RELAY, X83
6	1	438 3083-08	Cables	Kablage	3	SENSOR
7	1	438 3082-07	Cables	Kablage	3	Temp. sensor, X74
8	1	438 3084-24	Cables	Kablage	3	X275-X75
9	1	438 3087-09	Cables	Kablage	3	TRAFP-X72
10	1	438 3019-96	Cables	Kablage	3	FUSE-LC2
	1	438 3019-98	Cables	Kablage	3	2 FUSES-LC2
11	1	438 3019-94	Cables	Kablage	3	
12	1	438 3082-29	Cables	Kablage	3	TRAFO-RDC,X278
13	1	438 3082-29	Cables	Kablage	3	X378-X78
14	1	438 3089-56	Cables	Kablage	3	Door lock, X71
15	1	438 3014-13	Cables	Kablage	3	
16	1	438 3021-32	Cables	Kablage	3	12KW 400V Heating
17	1	438 3014-24	Cables	Kablage	3	Motor
18	1	438 3014-18	Cables	Kablage	3	MOTOR JUMPOVER,(NOT SHOWN)
19	1	438 3014-52	Cables	Kablage	3	MOTOR-RELAY



1203,1203E,1203PCO,1203PEC,FL160,FL160MP,W160,W160CC,W160MP

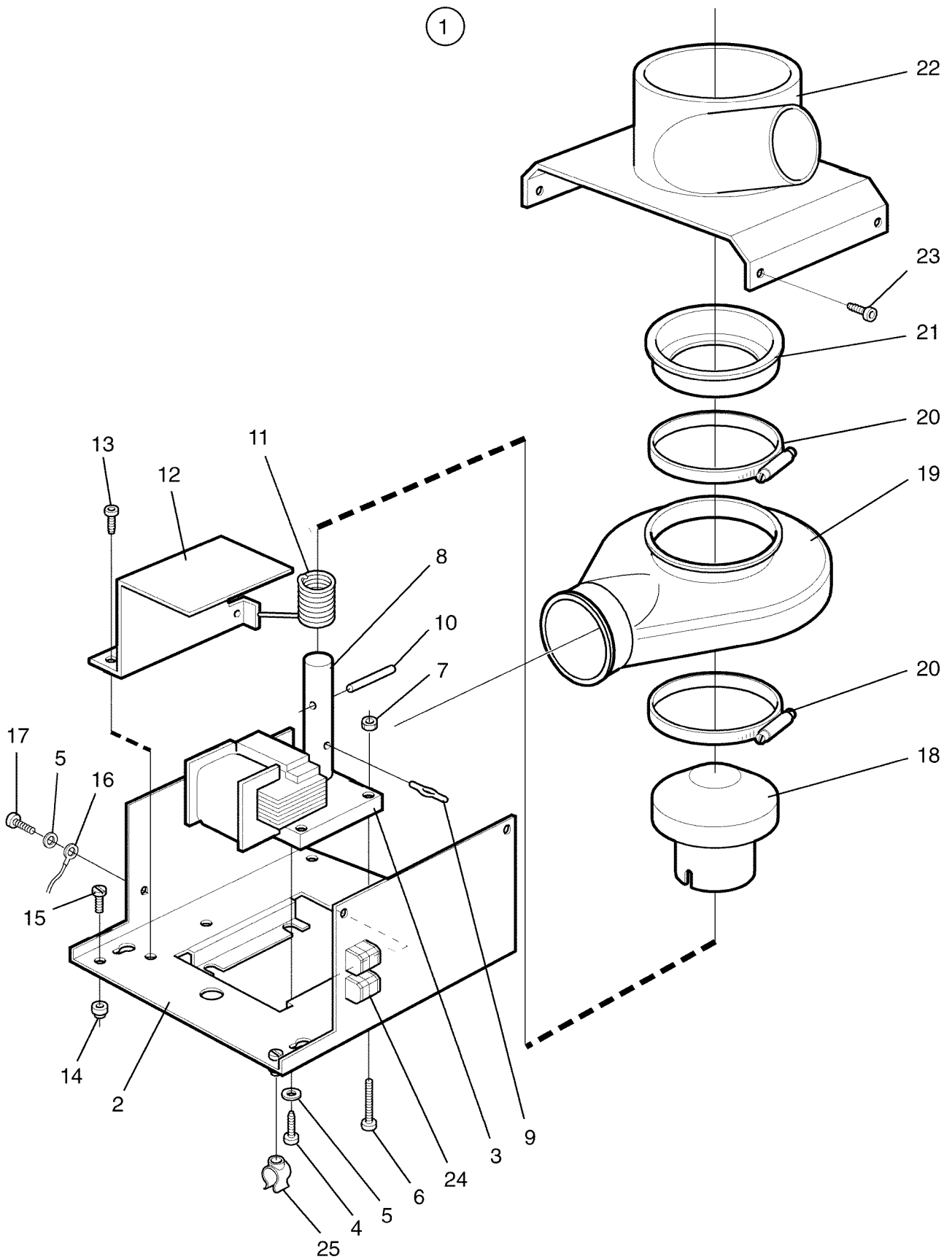
Drain valve

Illustration Issue Month Year
Illustration Utgåva Månad År
100771/3 14 11 2008

Avloppsventil

Item Pos.	Qua. Ant.	Art.No Art.nr	Description	Benämning	Info Info	Notes Anmärkning
1	1	438 0093-01	Drain valve	Avloppsventil	1,2	Complete
	1	438 0093-03	Drain valve	Avloppsventil	1,2	Complete, pump
	1	438 0093-05	Drain valve	Avloppsventil	1,2	Complete Without spring
2	1	438 0051-01	•Lower frame	•Underdel	3	
3	1	438 0085-01	•Clip	•Clips	3	
4	1	471 8195-01	•Diaphragm	•Membran	1	
5	1	438 0053-01	•Housing	•Hus	3	
6	1	438 0054-01	•Piston	•Kolv	3	
7	1	438 0055-01	•Gland	•Gland	3	
8	1	438 0052-01	•Cover	•Lock	3	
9	2	471 7818-01	•Spring	•Fjäder	3	Not in 438 00 93-05
10	1	438 0028-01	•Hose housing	•Slanghus	1	
11	1	472 6012-00	•Rubber ring	•Manschett	3	
12	1	472 6011-00	•Hose connection	•Slanganslutning	3	
13	1	471 7851-02	•Hose clamp	•Slangklämma	3	
14	4	471 8317-05	•Screw	•Skruv	3	
16	1	471 8688-13	•Nipple	•Nippel	3	1/8"

1



Issue	Month	Year
03	03	06

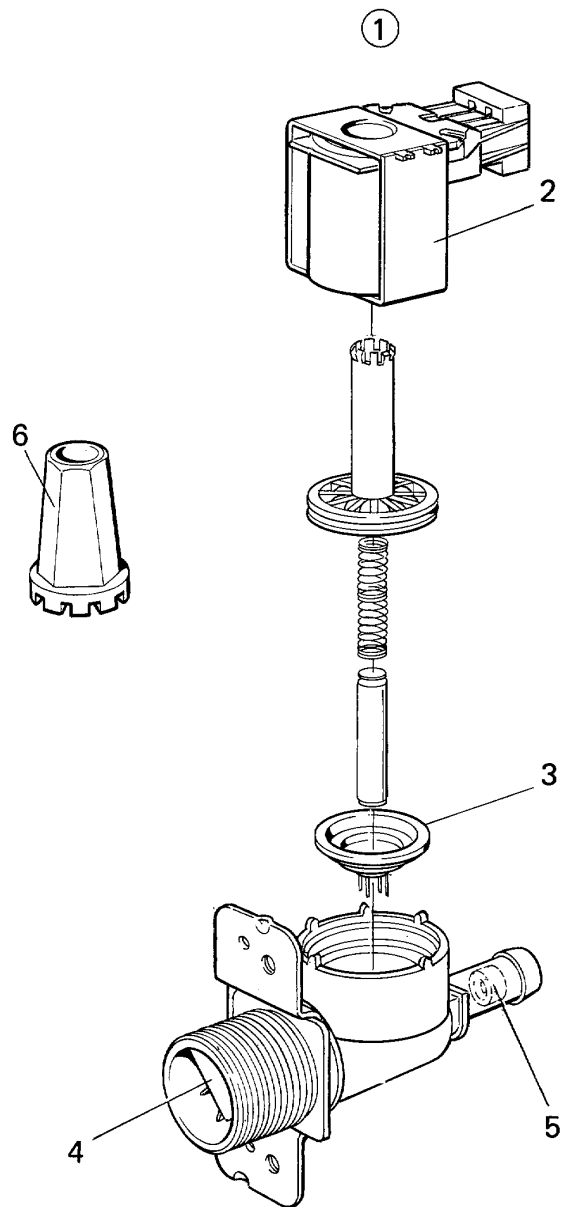
1203,1203E,1203PCO,1203PEC,FL160,FL160MP,W160,W160CC,W160MP

Drain valve

Avloppsventil

Illustration Issue Month Year
Illustration Utgåva Månad År
101143/2 6 10 2002

Item Pos.	Qua. Ant.	Art.No Art.nr	Description	Benämning	Info Info	Notes Anmärkning
1	1	472 8754-10	Drain valve	Avloppsventil	1	230V
	1	472 8754-11	Drain valve	Avloppsventil	1	100V 50Hz,120V 60Hz
2	1	438 4060-01	•Bracket	•Konsol	3	
3	1	471 9727-01	•Motor	•Motor	1,2	220V 50/60Hz
	1	471 9727-02	•Motor	•Motor	1,2	120V
4	3	471 8341-22	•Screw	•Skruv	3	MRT 5X8
5	3	735 2146-01	•Washer	•Bricka	3	M5
6	1	471 8341-19	•Screw	•Skruv	3	M4X40
7	1	731 2312-01	•Nut	•Mutter	3	M4
8	1	472 6016-00	•Piston	•Kolvstång	1	
9	1	721 1252-35	•Pin	•Pinne	3	4X12
10	1	472 6017-00	•Shaft	•Axel	3	
11	1	471 7804-01	•Torsion spring	•Vridfjäder	1,2	
12	1	472 6195-01	•Cover	•Skydd	3	
13	2	471 8340-12	•Screw	•Skruv	3	RTS 3,5X9,5
14	4	438 4058-02	•Bracket	•Hållare	3	
15	4	471 8346-05	•Screw	•Skruv	3	
16	1	438 3019-21	•Cables	•Kablage	3	
17	2	471 8340-32	•Screw	•Skruv	3	
18	1	472 6015-00	•Piston	•Kolv	3	
19	1	438 0028-01	•Hose housing	•Slanghus	1,2	
20	2	736 2849-51	•Hose clamp	•Slangklämma	3	Ø77-93
21	1	472 6012-00	•Rubber ring	•Manschett	1,2	
22	1	472 6011-00	•Hose connection	•Slanganslutning	3	
23	4	471 8346-05	•Screw	•Skruv	3	
24	2	762 3131-01	•Insulator	•Isolator	3	
25	1	438 0085-01	Clip	Clips	1	



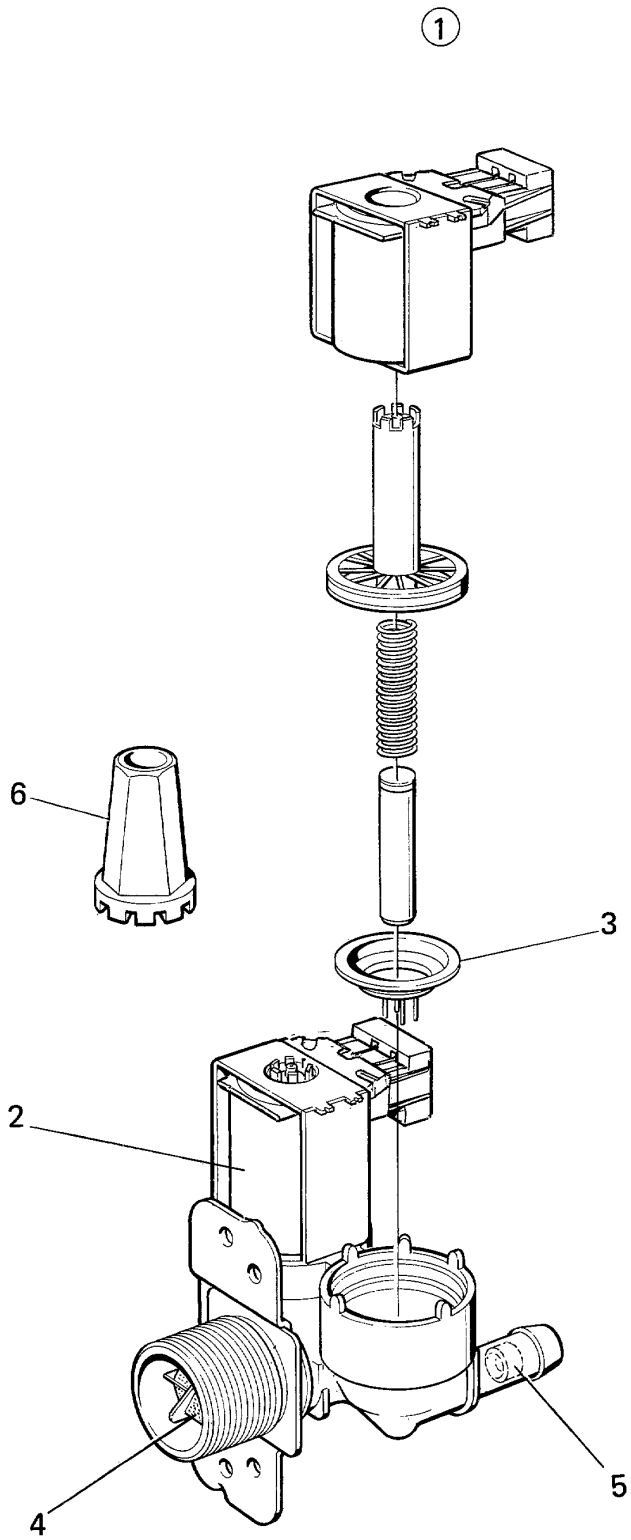
1203,1203E,1203PCO,1203PEC,FL160,FL160MP,W160,W160CC,W160MP

Inlet valve 3/4", 1-way

Tilloppsventil 3/4",1-vägs

Illustration	Issue	Month	Year
Illustration	Utgåva	Månad	År
100799/1	5	10	2002

Item Pos.	Qua. Ant.	Art.No Art.nr	Description	Benämning	Info Info	Notes Anmärkning
1	1	471 8234-51	Valve	Ventil	1,2	208-240V Restriction 5,5l/min
	1	471 8234-52	Valve	Ventil	1,2	50Hz/60Hz
	1	471 8234-53	Valve	Ventil	1,2	120V 60Hz
	1	471 8234-56	Valve	Ventil	1,2	208-240V Restriction 10l/min
2	1	471 8234-58	Valve	Ventil	1,2	208-240V
	1	471 6860-15	•Coil	•Spole	1,2	120V Green
	1	471 6860-16	•Coil	•Spole	1,2	120V Orange
	1	471 6860-17	•Coil	•Spole	1,2	120V White
	1	471 6860-18	•Coil	•Spole	1,2	208-240V Green
	1	471 6860-19	•Coil	•Spole	1,2	208-240V Orange
	1	471 6860-20	•Coil	•Spole	1,2	208-240V White
3	1	471 8234-98	•Diaphragm	•Membran	1,2	NITRIL
	1	471 8234-92	•Diaphragm	•Membran	1,2	EPDM
4	1	471 8234-94	•Filter	•Filter	1	
5	1	471 8234-95	•Restrictor	•Strypbricka	3	2,5l/min
	1	471 8234-96	•Restrictor	•Strypbricka	3	5,5l/min
6	1	471 4792-01	Tool	Verktyg	3	



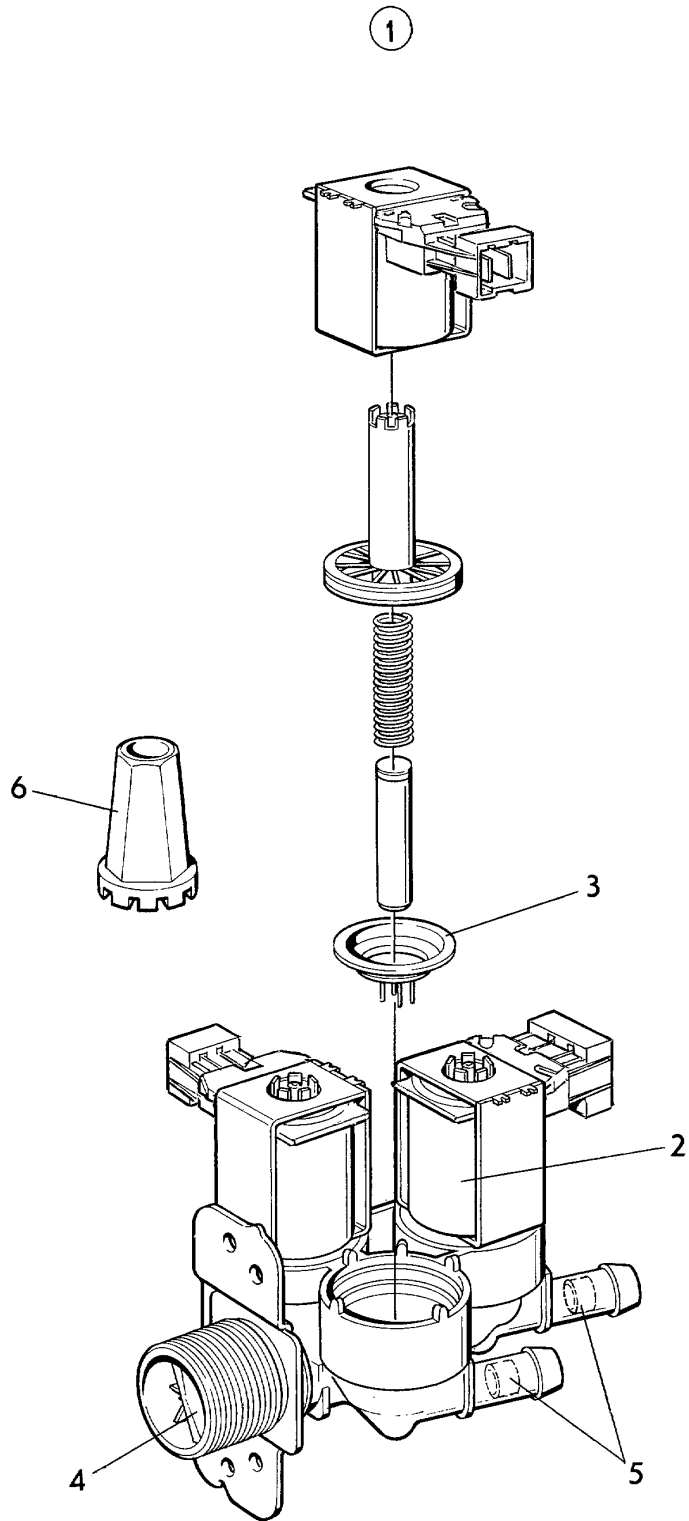
1203,1203E,1203PCO,1203PEC,FL160,FL160MP,FLE360,W160,W160CC,W160MP

Inlet valve 3/4", 2-way

Tilloppsventil 3/4",2-vägs

Illustration Issue Month Year
Illustration Utgåva Månad År
100798/1 6 10 2002

Item Pos.	Qua. Ant.	Art.No Art.nr	Description	Benämning	Info Info	Notes Anmärkning	
1	1	471 8235-51	Valve	Ventil	1,2	2-way, 208-240V 50/60Hz, BSP	
	1	471 8235-54	Valve	Ventil	1,2	2-way, 208-240V 60Hz, NH USA USA	
	1	471 8235-57	Valve	Ventil	1,2	2-way, 120V 60Hz, NH USA USA	
	1	471 8235-59	Valve	Ventil	1,2	2-way, 208-240V 50/60Hz, NH USA USA	
	1	471 8235-58	Valve	Ventil	1,2	2-way, 208-240V 50/60Hz, BSP	
	1	471 8235-60	Valve	Ventil	1,2	2-way, 208-240V 50/60Hz, BSP	
	1	471 8235-62	Valve	Ventil	1,2	2-way, 208-240V 50/60Hz, BSP	
	2	1	471 6860-15	•Coil	•Spole	1,2	120V Green
		1	471 6860-16	•Coil	•Spole	1,2	120V Orange
		1	471 6860-17	•Coil	•Spole	1,2	120V White
1		471 6860-18	•Coil	•Spole	1,2	208-240V Green	
1		471 6860-19	•Coil	•Spole	1,2	208-240V Orange	
3	1	471 6860-20	•Coil	•Spole	1,2	208-240V White	
	1	471 8234-98	•Diaphragm	•Membran	1,2	NITRIL	
4	1	471 8234-92	•Diaphragm	•Membran	1,2	EPDM	
	1	471 8234-94	•Filter	•Filter	1		
5	1	471 8234-95	•Restrictor	•Strypbricka	3	2,5l/min	
	1	471 8234-96	•Restrictor	•Strypbricka	3	5,5l/min	
6	1	471 4792-01	Tool	Verktyg	3		



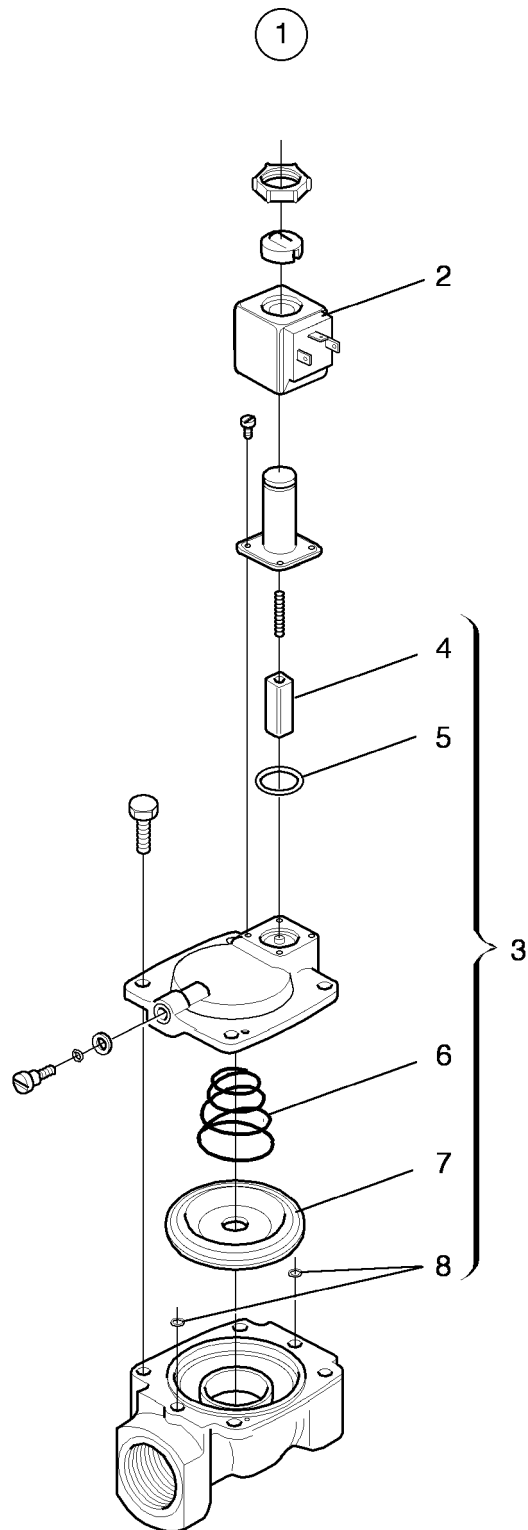
1203,1203E,1203PCO,1203PEC,FL160,FL160MP,W160,W160CC,W160MP

Inlet valve 3/4", 3-way

Tilloppsventil 3/4",3-vägs

Illustration Issue Month Year
Illustration Utgåva Månad År
100797/1 7 10 2002

Item Pos.	Qua. Ant.	Art.No Art.nr	Description	Benämning	Info Info	Notes Anmärkning
1	1	471 8236-52	Valve	Ventil	1,2	3-way, 208-240V 50/60Hz, BSP Restriction 5,5/-/1/min
	1	471 8236-56	Valve	Ventil	1,2	3-way, 208-240V 50/60Hz, BSP
	1	471 8236-60	Valve	Ventil	1,2	3-way, 208-240V 50/60Hz, BSP Restriction 5,5/10/10 l/min
	1	471 8236-62	Valve	Ventil	1,2	3-way, 208-240V 50/60Hz, BSP Restriction 5,5/8/8 l/min
	1	471 8236-64	Valve	Ventil	1,2	3-way, 208-240V 50/60Hz, BSP Restriction -/5,5 l/min
	1	471 8236-57	Valve	Ventil	1,2	3-way, 208-240V 50/60Hz, BSP
	1	471 8236-68	Valve	Ventil	1,2	3-way, 208-240V 50/60Hz, BSP IN 20L/MIN,OUT 2,5L/MIN
	1	471 8236-66	Valve	Ventil	1,2	3-way, 120V 60Hz, NH USA
	1	471 8236-65	Valve	Ventil	1,2	3-way, 208-240V 50/60Hz, NH USA
	2	1	471 6860-15	•Coil	•Spole	1,2
1		471 6860-16	•Coil	•Spole	1,2	120V Orange
1		471 6860-17	•Coil	•Spole	1,2	120V White
1		471 6860-18	•Coil	•Spole	1,2	208-240V Green
1		471 6860-19	•Coil	•Spole	1,2	208-240V Orange
1		471 6860-20	•Coil	•Spole	1,2	208-240V White
3	1	471 8234-98	•Diaphragm	•Membran	1,2	NITRIL
	1	471 8234-92	•Diaphragm	•Membran	1,2	EPDM USA
4	1	471 8234-94	•Filter	•Filter	1	
5	1	471 8234-95	•Restrictor	•Strypbricka	3	2,5l/min
	1	471 8234-96	•Restrictor	•Strypbricka	3	5,5l/min
6	1	471 4792-01	Tool	Verktyg	3	



1203,1203E,1203PCO,1203PEC,FL160,FL160MP,FLE220,FLE350,FLE360,FLE403,MEGA HS PCO,W160,W160C

Inlet valve 1/2", 3/4", 1", 1 1/4", 2"

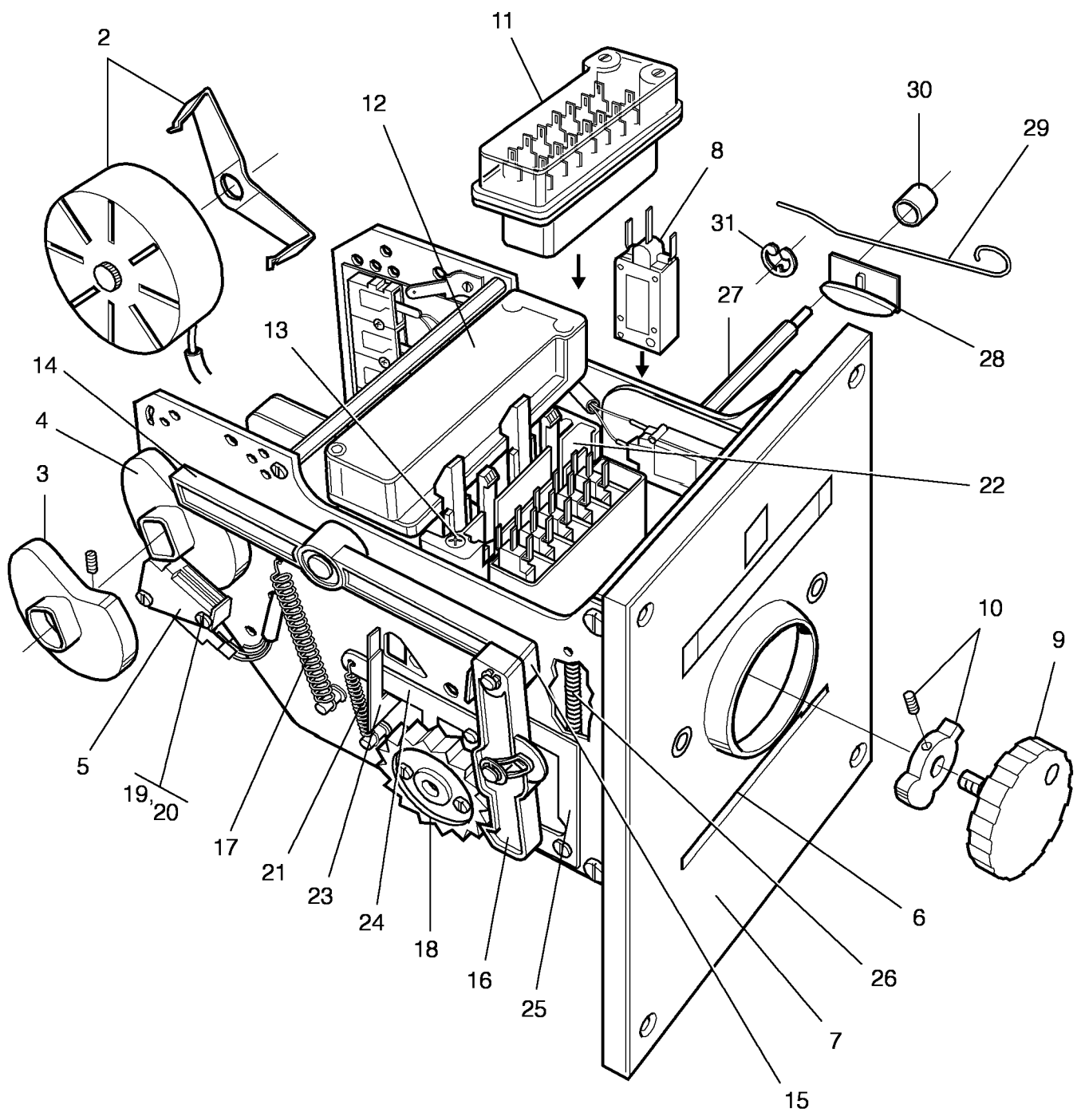
Illustration Issue Month Year
Illustration Utgåva Månad År

Tilloppsventil 1/2",3/4",1",1 1/4",2"

100568 4 3 2003

Item Pos.	Qua. Ant.	Art.No Art.nr	Description	Benämning	Info Info	Notes Anmärkning	
1	1	471 8210-02	Valve	Ventil	1,2	1/2" 220-240V 50Hz Complete	
	1	471 8210-01	Valve	Ventil	1,2	1/2" 208-230V 60Hz Complete	
	1	471 8210-03	Valve	Ventil	1,2	1/2" 115V 60Hz Complete	
	1	471 8210-12	Valve	Ventil	1,2	3/4" 220-240V 50Hz Complete	
	1	471 8210-11	Valve	Ventil	1,2	3/4" 208-230V 60Hz Complete	
	1	471 8210-22	Valve	Ventil	1,2	1" 220-240V 50Hz Complete	
	1	471 8210-21	Valve	Ventil	1,2	1" 208-230V 60Hz Complete	
	1	471 8210-32	Valve	Ventil	1,2	1 1/4" 50Hz Complete	
	1	471 8210-31	Valve	Ventil	1,2	1 1/4" 60Hz Complete	
	1	471 8210-52	Valve	Ventil	1,2	2", 50Hz Complete	
	1	471 8210-51	Valve	Ventil	1,2	2", 60Hz Complete	
	2	1	471 6657-15	•Coil	•Spole	1,2	50Hz 220-240V 50Hz
		1	471 6657-16	•Coil	•Spole	1,2	60Hz
		1	471 6657-17	•Coil	•Spole	1,2	115V 60Hz
	3	1	471 6657-18	•Repair kit	•Renoveringssats	1,2	1/2"
1		471 6657-19	•Repair kit	•Renoveringssats	1,2	3/4"	
1		471 6657-20	•Repair kit	•Renoveringssats	1,2	1"	
1		471 6657-21	•Repair kit	•Renoveringssats	1,2	1 1/4"	
4	1	471 6695-95	•Repair kit	•Renoveringssats	1,2	2"	
	5		•Plunger	•Ankare			
	6		•O-ring	•O-ring			
	7		•Spring	•Fjäder			
8			•Diaphragm	•Membran			
			•O-ring	•O-ring			

1



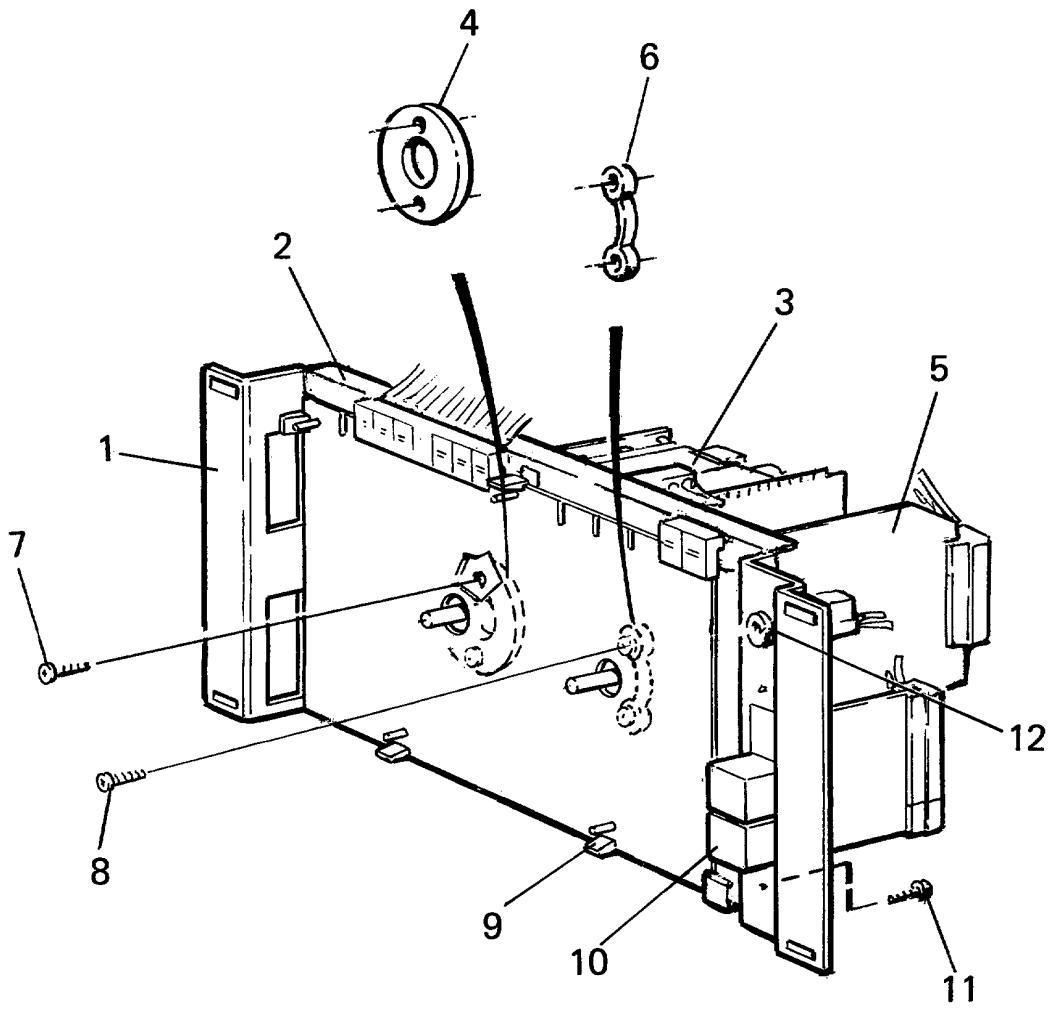
FLE120,FLE220,FLE350,FLE360,FLE403,MAXI HS PCO,MEGA HS PCO

Card programmer

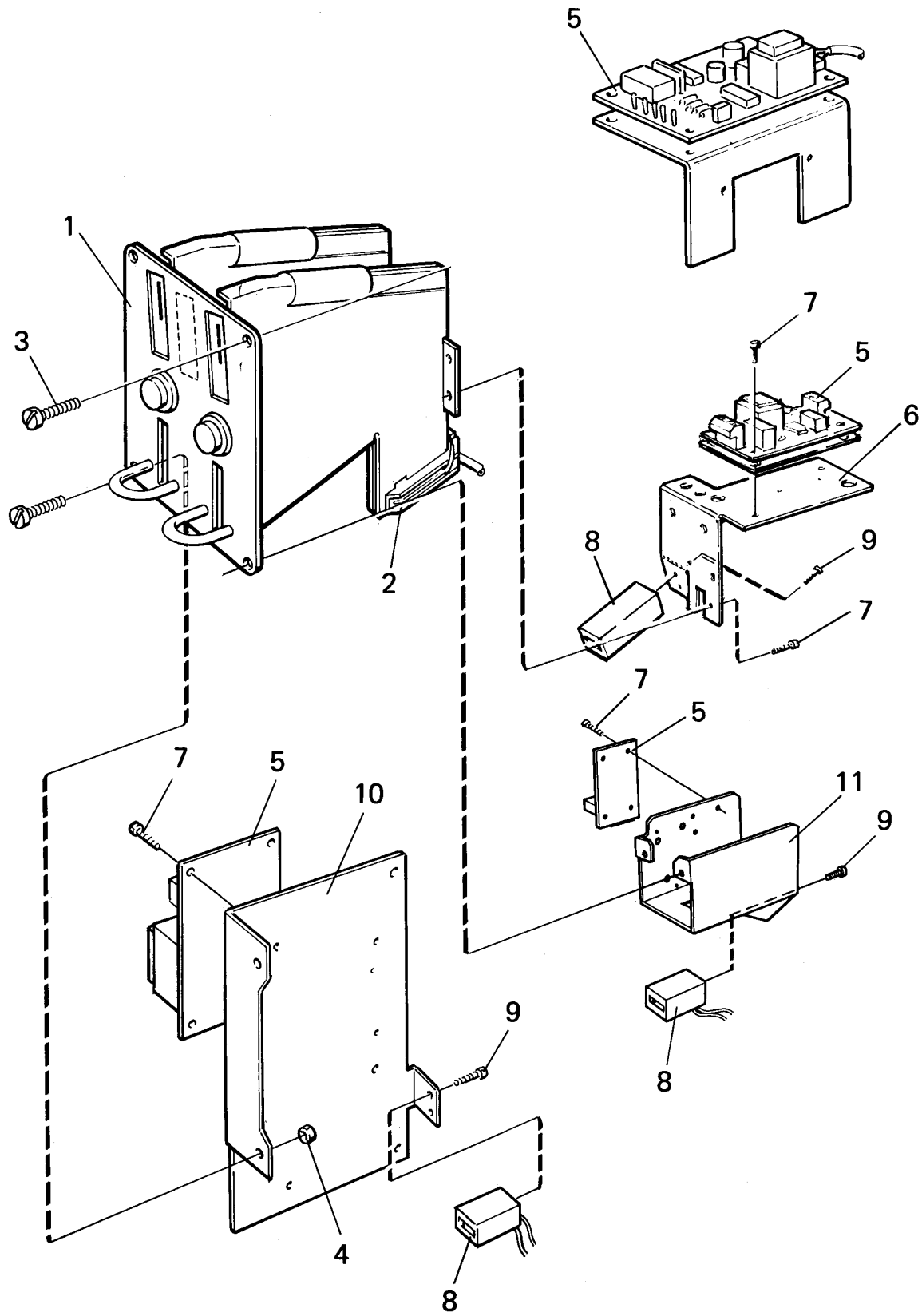
Illustration Issue Month Year
Illustration Utgåva Månad År
100605/3 2 2 2003

Plankortsautomat

Item Pos.	Qua. Ant.	Art.No Art.nr	Description	Benämning	Info Info	Notes Anmärkning
1	1	471 9219-15	16 Track Card programmer	16 Kanaler Plankortsautomat	1,2	50Hz Complete
	1	471 9223-72	Card programmer	Plankortsautomat	1,2	60Hz Complete
2	1	471 6753-60	•Motor	•Motor	1,2	50Hz With gear
	1	471 6753-61	•Motor	•Motor	1,2	60Hz With gear
3	1	471 9044-86	•Disc	•Skiva	1	60 SEC
4	1	471 9044-83	•Disc	•Skiva	1	30 SEC
5	1	471 6527-30	•Microswitch	•Microbrytare	1,2	
6	1	471 8955-01	•Program card	•Programkort	1,2	80 STEPS
	1	471 9219-16	•Program card	•Programkort	1,2	120 STEPS
7	1	471 6753-79	•Front panel	•Frontpanel	1	
8	16	471 6665-82	•Microswitch	•Microbrytare	1,2	
9	1	471 6754-63	•Knob	•Vred	1	
10	1	471 6754-64	•Frame	•Karm	1	WITH SCREW
11	1	471 8704-01	•Connector	•Anslutningsdon	3	FRONT
12	1	471 8704-00	•Connector	•Anslutningsdon	3	Rear
13	2	471 9017-12	•Screw	•Skruv	3	
14	1	471 6527-24	•Arm	•Arm	1	
15	1	471 6527-22	•Washer	•Bricka	3	
16	1	471 6527-21	•Arm	•Arm	1	
17	1	471 6527-29	•Spring	•Fjäder	1	
18	2	471 6527-26	•Wheel	•Hjul	1	
19	2	471 6527-32	•Screw	•Skruv	3	
20	2	471 9015-65	•Nut	•Mutter	3	M3
21	1	471 6527-28	•Spring	•Fjäder	1	
22	1	471 6665-83	•Cover	•Skydd	3	
23	1	471 6527-38	•Spring clips	•Fjäderbleck	3	
24	1	471 6527-35	•Catch	•Hake	3	Complete
25	1	471 6527-34	•Arm	•Arm	3	
26	1	471 6527-20	•Spring	•Fjäder	1	
27	2	471 6654-00	•Roller	•Vals	3	
28	2	471 6653-30	•Bearing cage	•Lagerhållare	3	
29	2	471 6653-31	•Spring	•Fjäder	1	
30	4	471 6653-32	•Bearing	•Lager	3	
31	1	735 3110-21	C-clamp	Spårring	3	
	1	471 6666-96	Test card	Testkort	3	Not shown
	1	471 8961-02	Pliers	Tång	1	Not shown
	RQ	471 6654-10	Pin	Stift	1	Not shown



1203,W160					Illustration	Issue	Month	Year
Program unit					Illustration	Utgåva	Månad	År
Programenhet					100847/2	12	3	2009
Item Pos.	Qua. Ant.	Art.No Art.nr	Description	Benämning	Info Info	Notes Anmärkning		
1	1	438 0180-02	Mounting plate	Monteringsplåt	3			
2	1	438 3050-01	Printed circuit board	Kretskort	1	P01		
	1	438 3050-11	Printed circuit board	Kretskort	1,2	P11		
	1	438 3050-21	Printed circuit board	Kretskort	1	P21		
	1	438 3050-31	Printed circuit board	Kretskort	1	P31		
	1	438 3060-02	Printed circuit board	Kretskort	1	P02		
	1	438 3065-02	Printed circuit board	Kretskort	1	P02 G		
	1	438 3060-03	Printed circuit board	Kretskort	1	P02 D		
	1	438 3060-04	Printed circuit board	Kretskort	1	P02J		
3	1	471 8979-01	Timer	Timer	1,2	220V 50Hz P1		
	1	471 8979-02	Timer	Timer	1,2	220V 60Hz P1		
	1	471 8981-03	Timer	Timer	1,2	220V 50Hz P2		
	1	471 8981-04	Timer	Timer	1,2	220V 60Hz P2		
	1	438 3018-11	Programmer	Programverk	1,2	120V P3,120V,W75/100 -93/46072		
	1	438 3018-12	Programmer	Programverk	1,2	220V P3,220V, W75/100 -93/46072 W160, -93/12079 W230, -93/5065		
	1	471 8978-18	Programmer	Programverk	1,2	120V P3, W 75/100		
	1	471 8978-19	Programmer	Programverk	1,2	220V P3, W 75/100 W160, 93/12080-96/28846 W230, 93/5066-96/14109		
	1	471 8981-05	Programmer	Programverk	1,2	120V 60Hz P2		
	1	471 8978-21	Programmer	Programverk	1,2	120V 60Hz P3, W 75/100		
	1	471 8978-22	Programmer	Programverk	1,2	220V 60Hz P3, W 75/100 W160, 96/28847- W230, 96/14110-		
4	1	438 0154-01	Spacer	Distans	3	W 75/100, -91/26422 W160, -91/3640		
5	1	471 9641-11	Rotary switch	Vridomkopplare	1,2			
	1	471 9643-01	Rotary switch	Vridomkopplare	1,2	P3		
	1	471 9643-12	Rotary switch	Vridomkopplare	1,2	P03,P04		
	1	471 9647-11	Rotary switch	Vridomkopplare	1,2	P02		
	1	471 9647-12	Rotary switch	Vridomkopplare	1,2	P02G		
	1	471 9643-22	Rotary switch	Vridomkopplare	1,2	Powder W160, 96/28847-		
	1	471 9643-24	Rotary switch	Vridomkopplare	1,2	Powder P3		
	1	471 9643-23	Rotary switch	Vridomkopplare	1,2	Liquid P3 W160, 96/28847- W230, 96/14110-		
6	1	471 5080-02	Spacer	Distans	3			
7	2	471 8341-15	Screw	Skruv	3	MRT 4X16 W75/100 91/26423- W160, 91/3641-		
8	2	471 8341-15	Screw	Skruv	3	MRT 4X16		
9	4	471 7958-01	Support	Stöd	3			
10	1	471 9642-03	Pushbutton unit	Tryckknappsenhet	1,2	3-button		
	1	472 9928-01	Conversion kit	Ombyggnadssats	1,2	2-button 3-BUTTONS		
	1	471 9642-02	Pushbutton unit	Tryckknappsenhet	1,2	1-BUTTON, EMERGENCY		
11	2	471 8342-13	Screw	Skruv	3	MRT-TT 4X10		
12	1	471 8164-00	Grommet	Genomföring	3	D7		



1203,1203E,W160,W160CC,W160MP

Electronic coin meter with slot locking device

Elektronisk myntmätare med myntspärr

Illustration Issue Month Year
Illustration Utgåva Månad År
100824/3 13 10 2002

Item Pos.	Qua. Ant.	Art.No Art.nr	Description	Benämning	Info Info	Notes Anmärkning
1	1	471 8916-02	Coin meter	Myntmätare	3	TOKEN Ø23,5X1,7
	1	471 8916-14	Coin meter	Myntmätare	3	TOKEN Ø22,0X1,5
	1	471 8916-03	Coin meter	Myntmätare	3	TOKEN Ø24,3X1,5
	1	471 8916-16	Coin meter	Myntmätare	3	TOKEN Ø19,0X1,0
	1	471 8916-06	Coin meter	Myntmätare	3	TOKEN Ø23,7X1,6
	1	471 8916-12	Coin meter	Myntmätare	3	TOKEN Ø22,5X1,5
	1	471 8916-09	Coin meter	Myntmätare	3	TOKEN Ø25X2 MÜLLER
	1	471 8916-13	Coin meter	Myntmätare	3	TOKEN Ø28,8X1,9
	1	471 8916-17	Coin meter	Myntmätare	3	TOKEN Ø22,35X1,6
	1	471 8916-23	Coin meter	Myntmätare	3	TOKEN Ø22,0X1,8 SAB
	1	471 8916-24	Coin meter	Myntmätare	3	TOKEN Ø25,8X1,7 NYBORO II
	1	471 8916-25	Coin meter	Myntmätare	3	TOKEN Ø26,0X2,1 AEG 1
	1	471 8916-01	Coin meter	Myntmätare	3	1 COIN, 1 SEK/NKR
	1	471 8916-18	Coin meter	Myntmätare	1	1 COIN, 10TWD
	1	471 8916-10	Coin meter	Myntmätare	3	1 COIN, 50 CENT SINGAPORE
	1	471 8916-21	Coin meter	Myntmätare	3	1 COIN, 5 SEK
	1	471 8916-26	Coin meter	Myntmätare	3	1 COIN, 100 YEN
	1	471 8916-30	Coin meter	Myntmätare	3	1 COIN, 25 CENT USA
	1	471 8916-42	Coin meter	Myntmätare	3	1 COIN, 50 CENT MALAYSIA
	1	471 8916-04	Coin meter	Myntmätare	3	2 COINS, 10+50 NEW PENCE GB
1	471 8916-34	Coin meter	Myntmätare	3	2 COINS 10+50 OLD PENCE GB	
1	471 8916-05	Coin meter	Myntmätare	3	2 COINS, 1+5 DKR	
1	471 8916-44	Coin meter	Myntmätare	3	2 COINS, 0,5+1 POUND GB	
1	471 8916-08	Coin meter	Myntmätare	3	2 COINS, 20+50 NEW PENCE GB	
1	471 8916-22	Coin meter	Myntmätare	3	2 COINS, 1+10 DKR	
1	471 8916-19	Coin meter	Myntmätare	3	2 COINS, 20 PENCE+1 POUND GB	
1	471 8916-20	Coin meter	Myntmätare	3	2 COINS, 1+5 NKR	
1	471 8916-31	Coin meter	Myntmätare	3	1 HKD	
2	2	471 8910-91	Sensor	Avkännare	1,2	
3	4	471 8910-90	Screw	Skruv	3	
4	4	731 2312-01	Nut	Mutter	3	M4
5	1	471 8966-11	Counter	Räkneenhet	1	1 Coin
	1	471 8966-13	Counter	Räkneenhet	1	120V ET-1311, 1 COIN
	1	471 8966-14	Counter	Räkneenhet	1	120V ET-1312, 2 COINS
	1	471 8966-15	Counter	Räkneenhet	1	220V ET-1312/2, 2 COINS
	1	471 8966-16	Counter	Räkneenhet	1	120V ET-1312/2, 2 COINS
	1	471 8966-17	Counter	Räkneenhet	1	220V ET-1312/3, 2 COINS
6	1	438 0286-01	Bracket	Konsol	3	
7	3	471 8342-04	Screw	Skruv	3	MRT-TT 3X12
8	1	472 7744-01	Coin counter	Mynträknare	1,2	220V
9	2	724 1218-01	Screw	Skruv	3	MRX 3X4
10	1	438 0484-01	Bracket	Konsol	3	W75,100
11	1	472 8895-01	Bracket	Konsol	3	W160,230

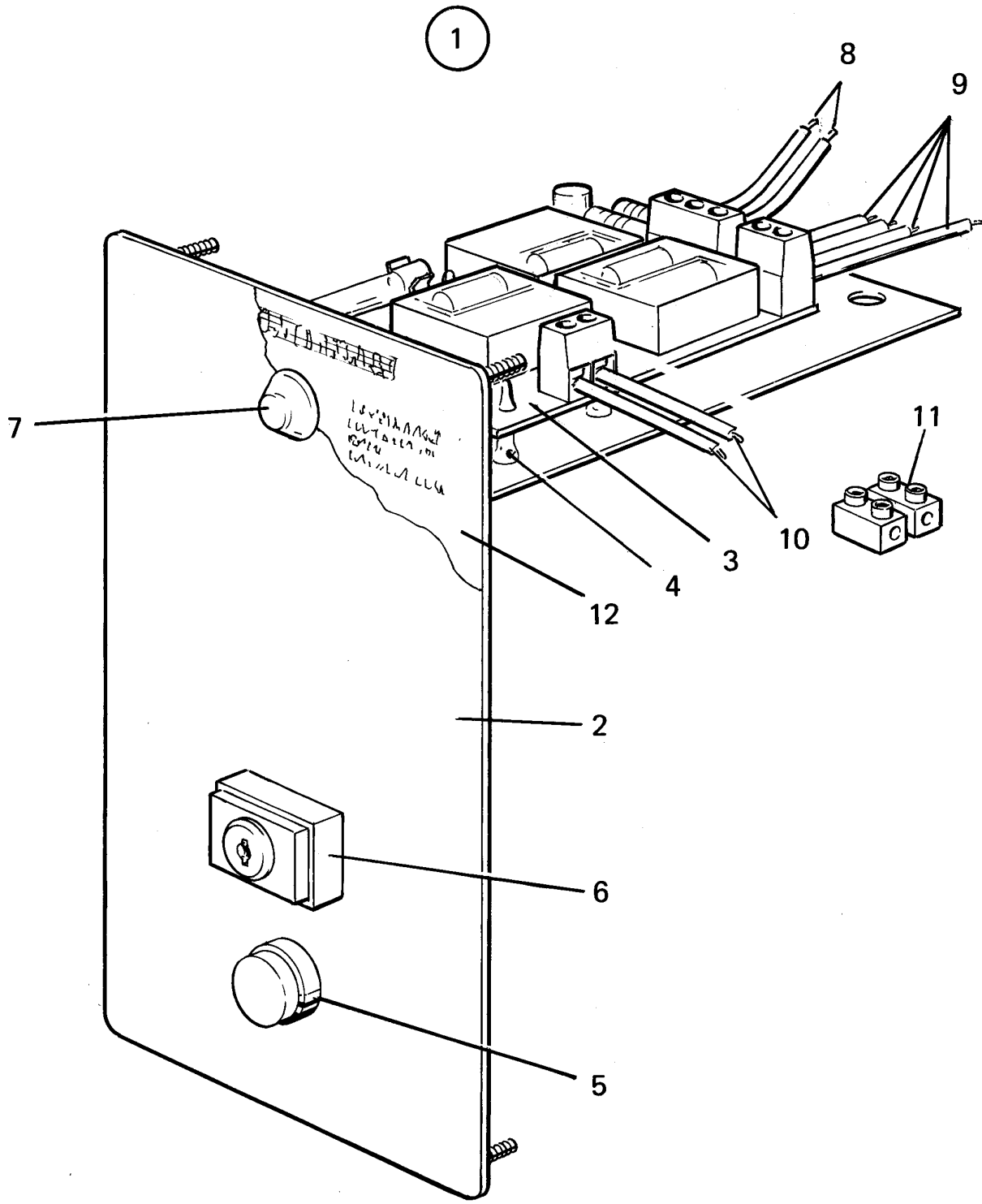
1203,W160

Control unit P1

Styrenhet P1

Illustration Issue Month Year
Illustration Utgåva Månad År
101152/1 4 10 2002

Item Pos.	Qua. Ant.	Art.No Art.nr	Description	Benämning	Info Info	Notes Anmärkning
1	1	438 0175-30	Control unit	Styrenhet	3	
2	1	438 0333-33	•Cover	•Lock	3	
3	1	471 4731-12	•Printed circuit board	•Kretskort	1	
4	4	471 7958-01	•Support	•Stöd	3	
5	1	471 9677-01	•Key switch	•Nyckelbrytare	1	Complete
6	1	763 1802-01	•Glass	•Glas	1	Red
7	1	438 3019-03	•Cables	•Kablage	3	
8	1	438 3019-01	•Cables	•Kablage	3	
9	1	438 3019-07	•Cables	•Kablage	3	
10	1	762 7202-57	•Terminal connection	•Kopplingsplint	3	2-pole
11	1	472 6744-01	Sign	Skylt	3	Swedish
	1	472 6744-02	Sign	Skylt	3	Danish
	1	472 6744-03	Sign	Skylt	3	English
	1	472 6744-04	Sign	Skylt	3	French
	1	472 6744-05	Sign	Skylt	3	German
	1	472 6744-06	Sign	Skylt	3	Finnish
	1	472 6744-08	Sign	Skylt	3	Dutch
	1	472 6744-11	Sign	Skylt	3	Polish



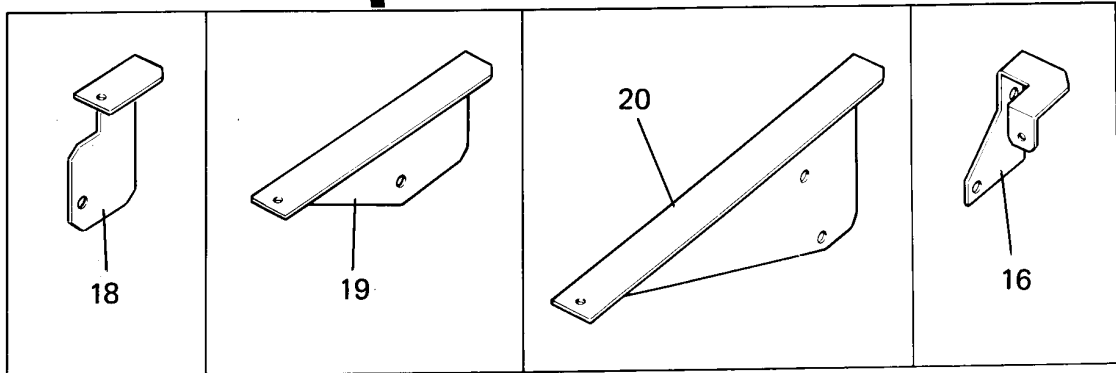
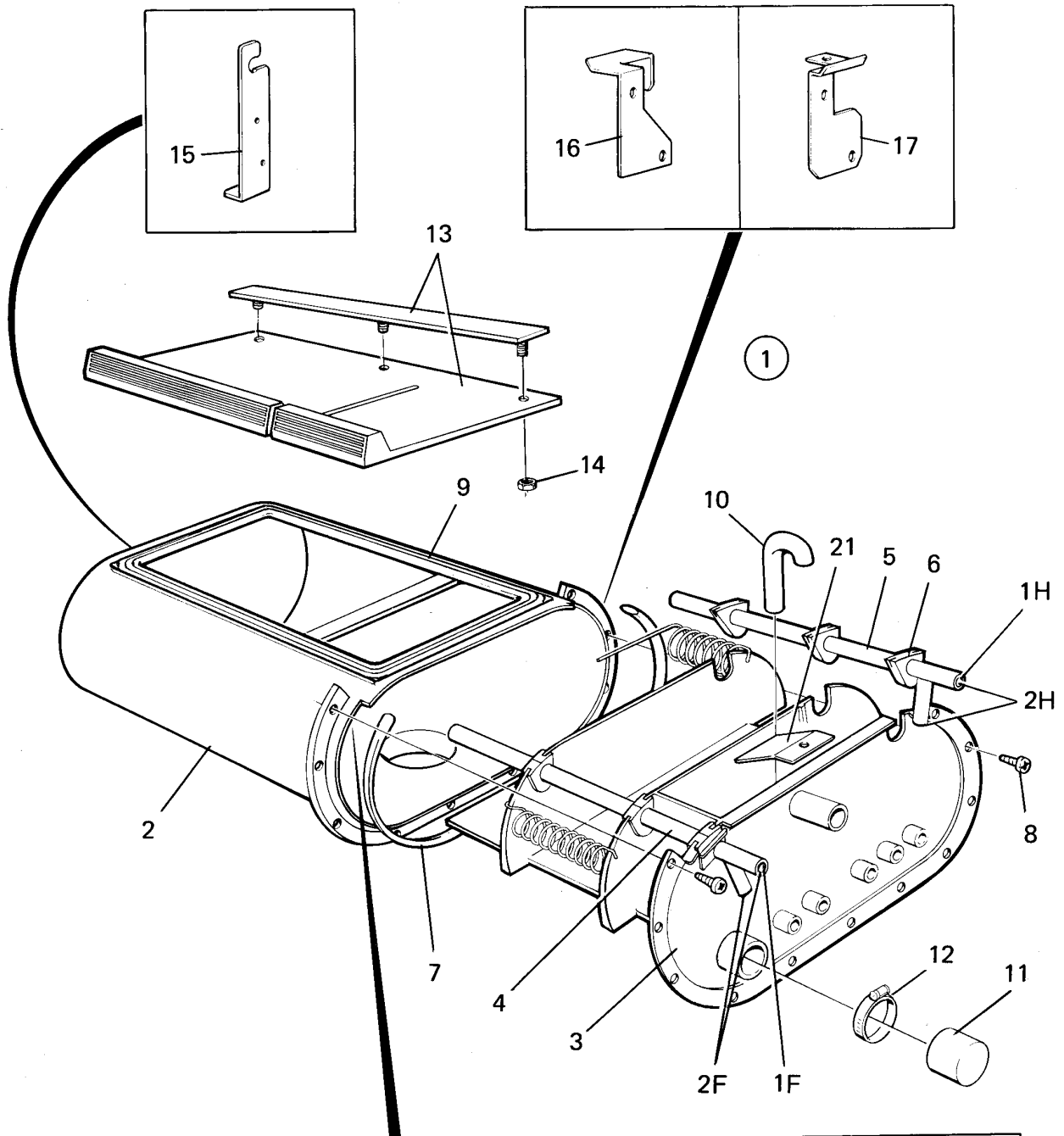
1203,W160

Control unit P2

Styrenhet P2

Illustration Issue Month Year
Illustration Utgåva Månad År
101151/2 5 10 2002

Item Pos.	Qua. Ant.	Art.No Art.nr	Description	Benämning	Info Info	Notes Anmärkning
1	1	438 0175-20	Control unit	Styrenhet	3	
2	1	438 0333-33	•Cover	•Lock	3	
3	1	471 4731-12	•Printed circuit board	•Kretskort	1	
4	4	471 7958-01	•Support	•Stöd	3	
5	1	487 9990-06	•Pushbutton	•Tryckknapp	1	
6	1	471 9677-01	•Key switch	•Nyckelbrytare	1	Complete
7	1	763 1802-01	•Glass	•Glas	1	Red
8	1	438 3019-03	•Cables	•Kablage	3	
9	1	438 3019-02	•Cables	•Kablage	3	
10	1	438 3019-07	•Cables	•Kablage	3	
11	1	762 7202-55	•Terminal connection	•Kopplingsplint	3	2-pole
12	1	472 6745-05	Sign	Skylt	3	German



Issue	Month	Year
02	02	96

1203,1203E,1203PCO,1203PEC,FL160,FL160MP,FLE220,MEGA HS PCO,W160,W160CC,W160MP

Detergent container

Illustration Issue Month Year
Illustration Utgåva Månad År

Tvättmedelsbehållare

101366/2 4 1 2003

Item Pos.	Qua. Ant.	Art.No Art.nr	Description	Benämning	Info Info	Notes Anmärkning
1	1	472 6001-58	Detergent container	Tvättmedelsbehållare	1,2	1F-1H
	1	472 6001-59	Detergent container	Tvättmedelsbehållare	1,2	1F-2H
	1	472 6001-60	Detergent container	Tvättmedelsbehållare	1,2	2F-1H
	1	472 6001-62	Detergent container	Tvättmedelsbehållare	1,2	1F-2H Without insertion USA
	1	472 6001-64	Detergent container	Tvättmedelsbehållare	1,2	1F-2H With insertion USA
	1	472 6001-68	Detergent container	Tvättmedelsbehållare	1,2	1F-2H With insertion CSA
	1	472 6001-73	Detergent container	Tvättmedelsbehållare	1,2	1F-1H With insertion USA
	1	472 6001-75	Detergent container	Tvättmedelsbehållare	1,2	2F-2H With insertion USA
	1	472 6001-76	Detergent container	Tvättmedelsbehållare	1,2	2F-2H With insertion CSA
	1	472 6001-77	Detergent container	Tvättmedelsbehållare	1,2	1F-1H With nipples
	1	472 6001-78	Detergent container	Tvättmedelsbehållare	1,2	1F-2H With nipples
	1	472 6001-79	Detergent container	Tvättmedelsbehållare	1,2	1F-2H With nipples USA
	1	472 6001-80	Detergent container	Tvättmedelsbehållare	1,2	1F-1H Japan Four pocket
	2	1	472 6002-05	•Shell	•Hölje	1
3	1	472 6003-01	•Box	•Låda	1	
	1	472 6003-04	•Box	•Låda	1	USA
4	1	472 6005-10	•Spray head	•Spridare	1	1F
	1	472 6005-11	•Spray head	•Spridare	1	2F
5	1	472 6005-01	•Spray head	•Spridare	1	1H
	1	472 6005-02	•Spray head	•Spridare	1	2H
6	6	472 6004-01	•Grommet	•Genomföring	3	
7	1	471 8163-01	•Gasket	•Packning	3	
8	7	471 8346-01	•Screw	•Skruv	1	
9	1	438 0460-01	•Gasket	•Packning	3	
10	1	472 6006-01	•Siphon	•Hävert	1,2	
11	1	471 8644-03	Hood	Huv	3	
13	1	472 9902-59	Cover	Lock	1,2	
14	3	731 2314-42	•Nut	•Mutter	3	M4
15	1	438 5326-01	Bracket	Fäste	3	
16	2	438 4139-01	Bracket	Fäste	3	
17	1	438 0150-01	Bracket	Fäste	3	W/FL75-230
18	1	438 0151-01	Bracket	Fäste	3	W75-100,WE66-106
19	1	438 0216-01	Bracket	Fäste	3	W/FL160
20	1	438 0321-01	Bracket	Fäste	3	W/FL230
21	1	472 6756-01	Plate	Plåt	3	

Numerical index/Nummerregister

Art.No/Art.nr	Page/Sida	Art.No/Art.nr	Page/Sida	Art.No/Art.nr	Page/Sida	Art.No/Art.nr	Page/Sida
438 0002-10	9	438 0167-01	33	438 0260-10	37	438 0484-01	87
438 0002-11	9	438 0168-01	33	438 0264-01	15	438 0489-01	17
438 0006-13	35	438 0168-02	33	438 0286-01	87	438 2805-01	43
438 0006-14	37	438 0175-20	91	438 0289-03	15	438 2805-05	43
438 0006-15	35	438 0175-30	89	438 0289-04	15	438 2805-06	43
438 0006-16	35	438 0180-02	85	438 0293-01	41	438 2805-07	43
438 0006-17	35	438 0182-03	13	438 0298-02	17	438 2805-11	47
438 0006-18	37	438 0183-03	13	438 0321-01	93	438 2805-12	43
438 0006-20	39	438 0184-01	13	438 0330-01	33	438 2805-13	43
438 0006-21	41	438 0185-01	7	438 0332-02	37	438 2805-14	43
438 0006-22	41	438 0190-01	9	438 0333-01	35	438 2805-15	47
438 0006-23	37	438 0190-02	9	438 0333-01	37	438 2805-16	47
438 0006-24	37	438 0190-03	9	438 0333-02	35	438 2805-17	43
438 0006-29	39	438 0190-04	9	438 0333-11	35	438 2805-19	43
438 0006-33	35	438 0190-05	9	438 0333-11	37	438 2805-21	43
438 0006-36	35	438 0190-06	9	438 0333-12	35	438 2805-22	43
438 0006-37	35	438 0190-07	9	438 0333-21	35	438 2805-23	43
438 0006-38	37	438 0190-30	9	438 0333-21	37	438 2805-25	47
438 0006-45	41	438 0192-01	9	438 0333-22	35	438 2805-26	47
438 0006-46	41	438 0197-01	9	438 0333-33	89	438 2805-27	47
438 0006-58	35	438 0197-02	9	438 0333-33	91	438 2805-28	43
438 0006-61	35	438 0197-03	9	438 0334-01	37	438 2805-30	47
438 0006-62	35	438 0197-04	9	438 0334-02	35	438 2805-36	43
438 0006-63	37	438 0197-50	9	438 0334-11	37	438 2825-24	47
438 0014-01	17	438 0197-51	9	438 0334-12	35	438 2900-01	43
438 0016-03	17	438 0197-52	9	438 0334-21	37	438 2900-02	43
438 0016-04	17	438 0216-01	93	438 0334-22	35	438 2900-03	43
438 0016-06	17	438 0224-01	9	438 0339-01	9	438 2900-04	43
438 0027-01	7	438 0231-01	9	438 0341-02	33	438 2900-05	43
438 0028-01	71	438 0231-02	9	438 0351-70	9	438 2900-06	43
438 0028-01	73	438 0231-03	9	438 0351-71	9	438 2900-07	43
438 0039-01	35	438 0231-04	9	438 0351-72	9	438 2900-08	43
438 0039-01	39	438 0233-01	11	438 0353-01	23	438 2900-09	43
438 0039-01	41	438 0233-01	35	438 0353-01	25	438 2900-10	43
438 0040-01	35	438 0233-01	37	438 0353-01	29	438 2900-11	43
438 0044-01	21	438 0234-01	9	438 0354-01	23	438 2901-02	43
438 0051-01	71	438 0235-10	21	438 0354-01	25	438 2902-01	43
438 0052-01	71	438 0236-01	9	438 0354-01	29	438 2903-01	43
438 0053-01	71	438 0236-02	9	438 0354-02	23	438 2903-02	43
438 0054-01	71	438 0236-03	9	438 0354-02	25	438 2903-03	43
438 0055-01	71	438 0236-04	9	438 0355-01	23	438 2903-04	43
438 0056-03	19	438 0237-01	11	438 0355-01	25	438 2903-05	43
438 0056-03	49	438 0239-01	13	438 0355-01	29	438 2903-06	43
438 0056-04	19	438 0240-01	17	438 0356-26	9	438 2903-07	43
438 0056-04	49	438 0240-03	17	438 0356-27	9	438 2903-60	43
438 0059-01	13	438 0240-04	17	438 0356-28	9	438 2904-01	43
438 0060-01	13	438 0240-05	17	438 0356-29	9	438 2904-02	43
438 0076-01	35	438 0241-01	7	438 0358-02	23	438 2904-03	43
438 0078-01	11	438 0242-01	19	438 0358-02	25	438 2904-04	43
438 0083-01	19	438 0243-01	19	438 0358-02	29	438 2904-05	43
438 0084-02	19	438 0244-01	19	438 0359-01	23	438 2905-01	43
438 0084-03	19	438 0245-01	19	438 0359-01	25	438 2905-04	43
438 0085-01	71	438 0246-01	19	438 0359-01	29	438 2905-05	43
438 0085-01	73	438 0248-01	15	438 0363-01	25	438 2906-02	47
438 0093-01	19	438 0249-01	7	438 0363-01	29	438 2911-01	47
438 0093-01	71	438 0250-01	7	438 0364-01	39	438 3009-01	63
438 0093-03	71	438 0254-01	49	438 0366-01	19	438 3009-02	63
438 0093-05	71	438 0256-01	15	438 0383-01	19	438 3009-07	63
438 0116-01	9	438 0256-02	15	438 0390-01	11	438 3009-08	63
438 0127-01	49	438 0257-01	13	438 0425-01	29	438 3009-09	63
438 0143-01	13	438 0259-01	7	438 0439-01	23	438 3009-10	63
438 0144-01	13	438 0259-02	7	438 0455-01	35	438 3009-11	53
438 0145-11	49	438 0259-03	7	438 0456-01	15	438 3009-11	57
438 0150-01	93	438 0259-04	7	438 0457-01	15	438 3009-11	61
438 0151-01	93	438 0259-06	7	438 0460-01	93	438 3009-11	67
438 0154-01	85	438 0259-07	7	438 0462-01	13	438 3009-12	63

Numerical index/Nummerregister

Art.No/Art.nr	Page/Sida	Art.No/Art.nr	Page/Sida	Art.No/Art.nr	Page/Sida	Art.No/Art.nr	Page/Sida
438 3009-13	67	438 3014-51	67	438 3019-44	51	438 3030-10	59
438 3009-14	67	438 3014-52	69	438 3019-44	53	438 3030-30	51
438 3009-15	67	438 3014-53	53	438 3019-46	57	438 3030-30	55
438 3009-16	63	438 3018-11	85	438 3019-47	57	438 3030-40	51
438 3009-17	67	438 3018-12	85	438 3019-49	57	438 3030-40	53
438 3009-18	67	438 3019-01	53	438 3019-68	51	438 3030-41	55
438 3009-20	63	438 3019-01	89	438 3019-68	53	438 3030-41	57
438 3009-21	67	438 3019-02	55	438 3019-68	55	438 3030-42	51
438 3009-22	67	438 3019-02	57	438 3019-68	57	438 3030-42	53
438 3009-24	67	438 3019-02	91	438 3019-68	59	438 3030-62	57
438 3009-26	67	438 3019-03	53	438 3019-68	61	438 3030-62	61
438 3009-27	67	438 3019-03	55	438 3019-68	63	438 3030-72	61
438 3009-50	63	438 3019-03	57	438 3019-69	61	438 3030-83	59
438 3009-52	63	438 3019-03	89	438 3019-71	61	438 3030-83	61
438 3009-53	63	438 3019-03	91	438 3019-80	61	438 3031-00	51
438 3010-10	53	438 3019-07	53	438 3019-82	57	438 3031-00	53
438 3010-10	57	438 3019-07	55	438 3019-83	61	438 3031-00	55
438 3010-13	51	438 3019-07	57	438 3019-90	67	438 3031-10	51
438 3010-13	53	438 3019-07	89	438 3019-94	69	438 3031-10	55
438 3010-13	55	438 3019-07	91	438 3019-96	69	438 3031-11	59
438 3010-13	57	438 3019-13	57	438 3019-98	69	438 3031-32	51
438 3010-13	59	438 3019-19	53	438 3021-04	51	438 3031-32	55
438 3010-13	61	438 3019-19	57	438 3021-04	53	438 3031-60	59
438 3010-13	63	438 3019-21	51	438 3021-04	55	438 3031-66	51
438 3010-13	67	438 3019-21	53	438 3021-04	57	438 3031-66	55
438 3014-02	53	438 3019-21	57	438 3021-04	59	438 3031-66	59
438 3014-02	57	438 3019-21	59	438 3021-04	61	438 3050-01	85
438 3014-10	59	438 3019-21	61	438 3021-04	67	438 3050-11	85
438 3014-11	53	438 3019-21	73	438 3021-05	51	438 3050-21	85
438 3014-11	57	438 3019-22	51	438 3021-05	53	438 3050-31	85
438 3014-11	61	438 3019-22	53	438 3021-05	55	438 3056-04*	13
438 3014-12	53	438 3019-22	55	438 3021-05	57	438 3056-11*	13
438 3014-12	57	438 3019-22	57	438 3021-05	59	438 3056-12*	13
438 3014-12	61	438 3019-22	59	438 3021-05	61	438 3056-21*	13
438 3014-12	63	438 3019-22	61	438 3021-05	63	438 3056-22*	13
438 3014-12	67	438 3019-22	63	438 3021-05	67	438 3056-32*	13
438 3014-13	53	438 3019-22	67	438 3021-06	51	438 3058-01	23
438 3014-13	57	438 3019-23	51	438 3021-06	55	438 3060-02	85
438 3014-13	61	438 3019-23	53	438 3021-06	59	438 3060-03	85
438 3014-13	63	438 3019-23	55	438 3021-07	53	438 3060-04	85
438 3014-13	67	438 3019-23	57	438 3021-07	57	438 3065-02	85
438 3014-13	69	438 3019-23	59	438 3021-07	61	438 3075-01	41
438 3014-16	51	438 3019-23	61	438 3021-07	63	438 3075-04	41
438 3014-16	55	438 3019-23	63	438 3021-07	67	438 3082-04	51
438 3014-18	69	438 3019-23	67	438 3021-10	51	438 3082-04	53
438 3014-19	69	438 3019-24	59	438 3021-10	55	438 3082-04	55
438 3014-21	53	438 3019-24	61	438 3021-10	59	438 3082-04	57
438 3014-21	57	438 3019-27	61	438 3021-11	51	438 3082-04	59
438 3014-21	61	438 3019-29	51	438 3021-11	55	438 3082-04	61
438 3014-21	63	438 3019-29	53	438 3021-11	59	438 3082-04	63
438 3014-21	67	438 3019-29	55	438 3021-30	53	438 3082-07	59
438 3014-22	53	438 3019-29	57	438 3021-30	57	438 3082-07	61
438 3014-22	57	438 3019-29	59	438 3021-30	61	438 3082-07	69
438 3014-22	61	438 3019-29	61	438 3021-30	63	438 3082-11	51
438 3014-22	63	438 3019-29	63	438 3021-30	67	438 3082-11	55
438 3014-22	67	438 3019-32	55	438 3021-32	53	438 3082-11	59
438 3014-24	53	438 3019-32	57	438 3021-32	57	438 3082-11	63
438 3014-24	57	438 3019-34	51	438 3021-32	61	438 3082-12	53
438 3014-24	61	438 3019-34	53	438 3021-32	63	438 3082-12	57
438 3014-24	63	438 3019-37	55	438 3021-32	67	438 3082-12	61
438 3014-24	67	438 3019-37	57	438 3021-32	69	438 3082-13	59
438 3014-24	69	438 3019-39	51	438 3021-33	69	438 3082-13	61
438 3014-30	59	438 3019-39	53	438 3030-05	51	438 3082-13	63
438 3014-35	51	438 3019-41	59	438 3030-05	53	438 3082-13	67
438 3014-35	55	438 3019-41	61	438 3030-10	51	438 3082-15	51
438 3014-50	63	438 3019-43	55	438 3030-10	55	438 3082-15	53

Numerical index/Nummerregister

Art.No/Art.nr	Page/Sida	Art.No/Art.nr	Page/Sida	Art.No/Art.nr	Page/Sida	Art.No/Art.nr	Page/Sida
438 3082-15	55	438 9636-02	23	471 6527-22	83	471 7651-28*	13
438 3082-15	57	438 9636-02	25	471 6527-24	83	471 7671-01	23
438 3082-22	65	438 9636-02	29	471 6527-26	83	471 7671-01	25
438 3082-27	61	438 9636-03	21	471 6527-28	83	471 7671-01	29
438 3082-29	69	438 9636-03	23	471 6527-29	83	471 7673-01	41
438 3082-51	63	438 9636-03	25	471 6527-30	83	471 7804-01	73
438 3082-73	63	438 9636-03	29	471 6527-32	83	471 7807-02	7
438 3083-01	63	438 9636-72	21	471 6527-34	83	471 7818-01	71
438 3083-02	63	438 9636-72	23	471 6527-35	83	471 7826-11	11
438 3083-02	67	438 9636-72	25	471 6527-38	83	471 7826-12	11
438 3083-08	69	438 9636-72	29	471 6653-30	83	471 7826-13	11
438 3084-01	51	438 9636-73	21	471 6653-31	83	471 7826-14	11
438 3084-01	53	438 9636-73	23	471 6653-32	83	471 7826-97	11
438 3084-01	55	438 9636-73	25	471 6654-00	83	471 7826-98	11
438 3084-01	57	438 9636-73	29	471 6654-10	41	471 7826-99	35
438 3084-01	61	471 2071-37	7	471 6654-10	83	471 7826-99	37
438 3084-04	63	471 2071-37	15	471 6654-55	25	471 7829-99	37
438 3084-05	55	471 2095-32	15	471 6657-15	81	471 7840-01	37
438 3084-05	57	471 2098-71	11	471 6657-16	81	471 7851-02	71
438 3084-08	69	471 2401-52	15	471 6657-17	81	471 7859-11	25
438 3084-09	59	471 2416-83	15	471 6657-18	81	471 7859-11	29
438 3084-21	61	471 2432-25	19	471 6657-19	81	471 7859-16	25
438 3084-24	69	471 2436-10	15	471 6657-20	81	471 7859-16	29
438 3086-01	51	471 2437-15	7	471 6657-21	81	471 7864-01	7
438 3086-01	53	471 2437-15	17	471 6661-51	25	471 7865-03	23
438 3086-01	55	471 2438-14	7	471 6661-53	25	471 7865-03	25
438 3086-01	57	471 2440-10	15	471 6665-82	83	471 7865-03	29
438 3086-01	59	471 2441-44	15	471 6665-83	83	471 7867-01	17
438 3086-01	61	471 2451-80	15	471 6666-96	83	471 7909-07	9
438 3086-06	53	471 2459-34	15	471 6695-95	81	471 7958-01	23
438 3086-06	57	471 2539-03	15	471 6753-60	83	471 7958-01	25
438 3086-06	61	471 2574-01	15	471 6753-61	83	471 7958-01	29
438 3086-08	53	471 2904-01	19	471 6753-79	83	471 7958-01	41
438 3086-08	57	471 2937-01	49	471 6754-63	83	471 7958-01	85
438 3086-09	57	471 2938-01	49	471 6754-64	83	471 7958-01	89
438 3086-15	51	471 4516-03	19	471 6860-15	75	471 7958-01	91
438 3086-15	55	471 4591-01	35	471 6860-15	77	471 7961-01*	13
438 3086-15	59	471 4591-01	37	471 6860-15	79	471 7966-01	41
438 3086-19	69	471 4591-02	35	471 6860-16	75	471 7967-02	23
438 3086-60	57	471 4592-01	35	471 6860-16	77	471 7967-02	25
438 3087-02	61	471 4592-01	37	471 6860-16	79	471 7967-02	29
438 3087-03	61	471 4592-02	35	471 6860-17	75	471 8118-07	19
438 3087-06	61	471 4596-01	35	471 6860-17	77	471 8121-01	19
438 3087-09	69	471 4596-01	37	471 6860-17	79	471 8121-01	49
438 3088-07	61	471 4657-82	35	471 6860-18	75	471 8126-16	33
438 3089-01	63	471 4705-02	35	471 6860-18	77	471 8139-01	19
438 3089-02	63	471 4705-02	41	471 6860-18	79	471 8139-03	19
438 3089-03	53	471 4714-05	39	471 6860-19	75	471 8159-06	49
438 3089-03	57	471 4714-06	39	471 6860-19	77	471 8163-01	93
438 3089-05	57	471 4731-12	89	471 6860-19	79	471 8164-00	85
438 3089-56	69	471 4731-12	91	471 6860-20	75	471 8164-01	11
438 4058-02	73	471 4764-01	37	471 6860-20	77	471 8175-01	49
438 4060-01	73	471 4792-01	49	471 6860-20	79	471 8192-01	7
438 4062-01	13	471 4792-01	75	471 7473-21	29	471 8195-01	71
438 4063-01	13	471 4792-01	77	471 7651-16*	13	471 8196-01	11
438 4079-01	37	471 4792-01	79	471 7651-17*	13	471 8197-02*	13
438 4079-02	37	471 4827-01	15	471 7651-18*	13	471 8199-01	49
438 4079-10	37	471 4835-01	19	471 7651-19*	13	471 8210-01	81
438 4088-01	35	471 4878-84	39	471 7651-20*	13	471 8210-02	81
438 4100-01	15	471 4904-02	35	471 7651-21*	13	471 8210-03	81
438 4101-01	15	471 4918-01	15	471 7651-22*	13	471 8210-11	81
438 4139-01	93	471 5080-02	85	471 7651-23*	13	471 8210-12	81
438 5326-01	93	471 5752-08	45	471 7651-24*	13	471 8210-21	81
438 5450-35	69	471 5753-17	45	471 7651-25*	13	471 8210-22	81
438 9636-01	21	471 6527-20	83	471 7651-26*	13	471 8210-31	81
438 9636-02	21	471 6527-21	83	471 7651-27*	13	471 8210-32	81

Numerical index/Nummerregister

Art.No/Art.nr	Page/Sida	Art.No/Art.nr	Page/Sida	Art.No/Art.nr	Page/Sida	Art.No/Art.nr	Page/Sida
471 8210-51	81	471 8341-22	73	471 8756-51	23	471 8954-04	25
471 8210-52	81	471 8342-04	87	471 8756-51	25	471 8955-01	41
471 8234-51	75	471 8342-13	9	471 8756-51	29	471 8955-01	83
471 8234-52	75	471 8342-13	23	471 8756-52	21	471 8961-01	41
471 8234-53	75	471 8342-13	25	471 8756-52	23	471 8961-02	83
471 8234-56	75	471 8342-13	29	471 8756-52	25	471 8964-12	37
471 8234-58	75	471 8342-13	85	471 8756-52	29	471 8966-11	87
471 8234-92	75	471 8342-23	35	471 8759-01	23	471 8966-13	87
471 8234-92	77	471 8342-25	41	471 8759-01	25	471 8966-14	87
471 8234-92	79	471 8346-01	93	471 8759-01	29	471 8966-15	87
471 8234-94	49	471 8346-05	73	471 8760-01	23	471 8966-16	87
471 8234-94	75	471 8346-06	25	471 8760-01	25	471 8966-17	87
471 8234-94	77	471 8346-06	29	471 8760-01	29	471 8977-15	39
471 8234-94	79	471 8346-12	21	471 8760-02	23	471 8977-25	39
471 8234-95	75	471 8502-14	7	471 8760-02	25	471 8978-18	85
471 8234-95	77	471 8502-14	15	471 8760-02	29	471 8978-19	85
471 8234-95	79	471 8502-24	17	471 8803-24	7	471 8978-21	85
471 8234-96	75	471 8526-01	27	471 8803-24	21	471 8978-22	85
471 8234-96	77	471 8526-01	31	471 8803-24	23	471 8979-01	85
471 8234-96	79	471 8622-01	49	471 8803-28	7	471 8979-02	85
471 8234-98	75	471 8622-05	49	471 8803-28	21	471 8981-03	85
471 8234-98	77	471 8623-01	49	471 8803-28	23	471 8981-04	85
471 8234-98	79	471 8641-01	9	471 8804-02	7	471 8981-05	85
471 8235-51	77	471 8644-03	49	471 8804-12	41	471 8983-31	25
471 8235-54	77	471 8644-03	93	471 8804-51	41	471 8983-31	29
471 8235-57	77	471 8670-03	33	471 8804-71	41	471 8985-01	25
471 8235-58	77	471 8688-01	19	471 8810-02	41	471 8985-01	29
471 8235-59	77	471 8688-12	19	471 8859-02	21	471 9007-62	17
471 8235-60	77	471 8688-13	19	471 8859-02	23	471 9015-65	83
471 8235-62	77	471 8688-13	71	471 8859-06	25	471 9017-12	83
471 8236-52	79	471 8693-01	49	471 8859-51	25	471 9027-85	21
471 8236-56	79	471 8693-03	49	471 8859-54	21	471 9027-85	23
471 8236-57	79	471 8693-21	49	471 8859-54	23	471 9027-85	25
471 8236-60	79	471 8702-02	21	471 8910-90	35	471 9027-85	29
471 8236-62	79	471 8704-00	83	471 8910-90	37	471 9030-34	33
471 8236-64	79	471 8704-01	83	471 8910-90	87	471 9044-83	83
471 8236-65	79	471 8708-01	23	471 8910-91	87	471 9044-86	83
471 8236-66	79	471 8708-01	25	471 8916-01	87	471 9219-15	83
471 8236-68	79	471 8708-01	29	471 8916-02	87	471 9219-16	41
471 8243-04	19	471 8733-10	39	471 8916-03	87	471 9219-16	83
471 8243-05	19	471 8742-01	21	471 8916-04	87	471 9222-59	7
471 8243-06	19	471 8748-01	51	471 8916-05	87	471 9222-59	15
471 8279-03	33	471 8748-01	53	471 8916-06	87	471 9223-72	83
471 8279-08	33	471 8748-01	55	471 8916-08	87	471 9525-21	21
471 8308-07	33	471 8748-01	57	471 8916-09	87	471 9525-21	23
471 8311-00	15	471 8748-01	59	471 8916-10	87	471 9525-21	25
471 8317-05	49	471 8748-01	61	471 8916-12	87	471 9525-21	29
471 8317-05	71	471 8748-01	63	471 8916-13	87	471 9525-22	21
471 8340-12	21	471 8748-01	67	471 8916-14	87	471 9525-22	23
471 8340-12	73	471 8748-02	51	471 8916-16	87	471 9525-22	25
471 8340-13	21	471 8748-02	53	471 8916-17	87	471 9525-22	29
471 8340-23	9	471 8748-02	55	471 8916-18	87	471 9525-23	23
471 8340-23	21	471 8748-02	57	471 8916-19	87	471 9525-23	25
471 8340-23	23	471 8748-02	59	471 8916-20	87	471 9525-23	29
471 8340-23	27	471 8748-02	61	471 8916-21	87	471 9525-25	21
471 8340-23	29	471 8748-02	63	471 8916-22	87	471 9525-27	23
471 8340-32	73	471 8748-02	67	471 8916-23	87	471 9525-27	25
471 8341-11	21	471 8750-11	21	471 8916-24	87	471 9525-27	29
471 8341-11	23	471 8750-11	23	471 8916-25	87	471 9529-05	23
471 8341-11	41	471 8750-11	25	471 8916-26	87	471 9529-05	27
471 8341-11	49	471 8750-11	29	471 8916-30	87	471 9529-05	29
471 8341-13	19	471 8756-01	21	471 8916-31	87	471 9529-10	29
471 8341-15	85	471 8756-01	23	471 8916-34	87	471 9550-15	29
471 8341-19	27	471 8756-01	25	471 8916-42	87	471 9558-03	23
471 8341-19	29	471 8756-01	29	471 8916-44	87	471 9559-03	21
471 8341-19	73	471 8756-51	21	471 8954-03	25	471 9560-01	15

Numerical index/Nummerregister

Art.No/Art.nr	Page/Sida	Art.No/Art.nr	Page/Sida	Art.No/Art.nr	Page/Sida	Art.No/Art.nr	Page/Sida
471 9565-03	21	472 5752-03	45	472 6005-01	93	472 9928-01	85
471 9565-03	23	472 5752-05	45	472 6005-02	93	487 9990-06	91
471 9565-03	25	472 5752-06	45	472 6005-10	93	721 1252-35	73
471 9565-03	29	472 5752-07	45	472 6005-11	93	722 7843-02	9
471 9566-01	21	472 5752-10	45	472 6006-01	93	722 7843-02	35
471 9566-01	23	472 5752-11	45	472 6011-00	71	722 7843-02	37
471 9566-01	25	472 5752-15	45	472 6011-00	73	722 7843-02	41
471 9566-01	29	472 5752-16	45	472 6012-00	71	724 1218-01	87
471 9566-05	21	472 5752-70	45	472 6012-00	73	725 2289-61	11
471 9566-05	23	472 5752-71	45	472 6015-00	73	725 2366-61	7
471 9566-05	25	472 5752-72	45	472 6016-00	73	725 2366-61	13
471 9566-05	29	472 5752-73	45	472 6017-00	73	725 2366-61	33
471 9604-04	23	472 5752-74	45	472 6082-01	35	725 2368-51	11
471 9604-04	25	472 5752-75	45	472 6195-01	73	725 2370-61	7
471 9628-08	41	472 5752-76	45	472 6744-01	89	725 2370-61	17
471 9628-17	39	472 5753-01	45	472 6744-02	89	725 2370-61	27
471 9628-17	41	472 5753-02	45	472 6744-03	89	725 2370-61	29
471 9628-18	41	472 5753-03	45	472 6744-04	89	725 2380-61	17
471 9628-32	39	472 5753-04	45	472 6744-05	89	725 2465-71	7
471 9628-32	41	472 5753-05	45	472 6744-06	89	725 2544-71	15
471 9628-34	39	472 5753-06	45	472 6744-08	89	725 6328-42	13
471 9628-34	41	472 5753-07	45	472 6744-11	89	725 9648-01	35
471 9628-94	39	472 5753-08	45	472 6745-05	91	728 8362-01	17
471 9628-94	41	472 5753-09	45	472 6756-01	93	729 9342-61	33
471 9628-95	41	472 5753-13	47	472 6761-01	49	731 2312-01	73
471 9629-02	37	472 5753-14	45	472 6847-09	21	731 2312-01	87
471 9641-11	85	472 5753-14	47	472 7744-01	87	731 2314-42	93
471 9642-02	85	472 5753-15	47	472 8754-10	19	731 2318-01	33
471 9642-03	85	472 5753-16	45	472 8754-10	73	732 2112-01	35
471 9643-01	85	472 5753-18	45	472 8754-11	19	732 2112-01	37
471 9643-12	85	472 5753-50	47	472 8754-11	73	732 2114-01	13
471 9643-22	85	472 5753-51	47	472 8895-01	87	732 2116-01	13
471 9643-23	85	472 5753-53	47	472 8969-02	37	732 2118-01	7
471 9643-24	85	472 5753-54	47	472 8969-03	37	732 2118-01	15
471 9647-11	85	472 5753-55	47	472 8974-01	37	734 1153-01	13
471 9647-12	85	472 5753-56	47	472 8974-02	37	734 1178-01	15
471 9648-01	35	472 5755-01	47	472 9900-67	7	734 1808-51	35
471 9649-01	23	472 5755-10	47	472 9900-99	11	734 1808-51	37
471 9649-01	37	472 5756-01	47	472 9901-03	17	735 2136-01	9
471 9649-02	37	472 5756-02	47	472 9902-08	15	735 2136-01	21
471 9649-04	27	472 5756-04	47	472 9902-19	15	735 2136-01	23
471 9649-04	41	472 5756-05	47	472 9902-22	21	735 2136-01	27
471 9649-05	27	472 5756-06	47	472 9902-22	25	735 2136-01	29
471 9649-05	41	472 5756-07	47	472 9902-33	15	735 2136-01	35
471 9649-11	37	472 5756-08	47	472 9902-48*	13	735 2136-01	37
471 9651-50	41	472 5756-09	47	472 9902-49*	13	735 2146-01	35
471 9652-02	35	472 5756-10	47	472 9902-50*	13	735 2146-01	73
471 9652-02	41	472 5756-18	47	472 9902-51*	13	735 2153-01	11
471 9653-03	29	472 5756-20	47	472 9902-52*	13	735 2366-61	19
471 9672-01	29	472 6001-58	93	472 9902-53*	13	735 3110-21	83
471 9677-01	89	472 6001-59	93	472 9902-59	93	735 9435-01	15
471 9677-01	91	472 6001-60	93	472 9902-61*	13	736 2816-51	49
471 9727-01	73	472 6001-62	93	472 9902-64	37	736 2825-51	15
471 9727-02	73	472 6001-64	93	472 9902-66*	13	736 2825-51	49
471 9739-51	17	472 6001-68	93	472 9902-72	29	736 2828-51	49
471 9739-52	17	472 6001-73	93	472 9902-73	25	736 2831-51	19
471 9739-54	17	472 6001-75	93	472 9904-39	37	736 2837-51	19
471 9739-57	17	472 6001-76	93	472 9911-08	13	736 2840-51	19
471 9811-01	7	472 6001-77	93	472 9911-27	17	736 2846-51	19
471 9811-03	7	472 6001-78	93	472 9911-28	17	736 2849-51	19
471 9811-04	7	472 6001-79	93	472 9913-22	7	736 2849-51	73
471 9811-06	7	472 6001-80	93	472 9913-43	23	736 2852-51	19
471 9811-07	7	472 6002-05	93	472 9913-43	55	740 4207-00	19
472 2440-40	19	472 6003-01	93	472 9913-43	57	741 5109-25	19
472 5207-04	35	472 6003-04	93	472 9919-30*	35	742 5115-20	49
472 5752-01	45	472 6004-01	93	472 9919-30*	37	744 3113-06	33

Numerical index/Nummerregister

Art.No/Art.nr	Page/Sida	Art.No/Art.nr	Page/Sida	Art.No/Art.nr	Page/Sida	Art.No/Art.nr	Page/Sida
744 3115-06	49						
762 1191-10	23						
762 1191-10	25						
762 1191-10	29						
762 1215-10	23						
762 1215-10	25						
762 1215-10	29						
762 3131-01	73						
762 7110-80	21						
762 7146-90	21						
762 7202-55	91						
762 7202-57	89						
762 7207-57	37						
762 8139-91	25						
762 8139-91	29						
762 8151-91	21						
762 8151-91	23						
762 8151-91	25						
762 8151-91	29						
762 9105-05	49						
762 9112-07	21						
762 9112-07	23						
762 9112-07	25						
762 9112-07	29						
763 1802-01	41						
763 1802-01	89						
763 1802-01	91						
763 1806-01	41						
767 5101-92	23						
767 5101-92	25						
767 5101-92	29						
767 5102-92	21						
767 5102-92	23						
767 5102-92	25						
767 5102-92	29						
767 5802-09	21						
767 5802-09	25						
767 5802-09	29						
877 5211-08	49						
877 5252-01	49						



ELECTROLUX LAUNDRY SYSTEMS

ELECTROLUX LAUNDRY SYSTEMS SWEDEN AB
341 80 Ljungby, Sweden. Telephone +46 372 661 00. Telefax +46 372 133 90
Internet: www.electrolux-wascator.com E-mail: els.info@electrolux.se