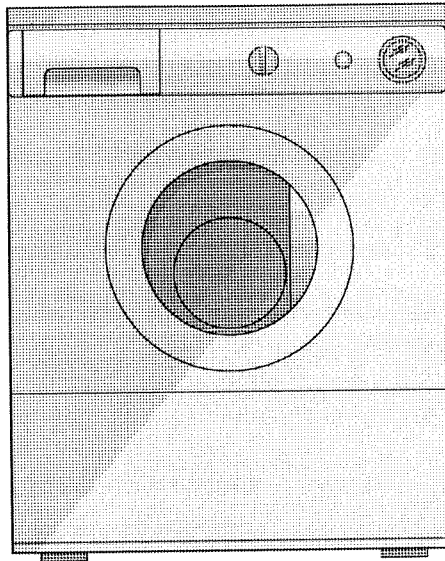


FACTORY PARTS CATALOG WASHER

WASCOMAT



PRODUCT NO.	BASE MODEL NO.	COLOR	WIRING DIAGRAM
WE16M0	WE16M	white	131680500
WE16N0	WE16N	white	131680200

 **FRIGIDAIRE**
HOME PRODUCTS

6000 Perimeter Drive
Dublin, OH 43017

Publication No.

5995302550

971126

-EN/SERVICE /RP
361

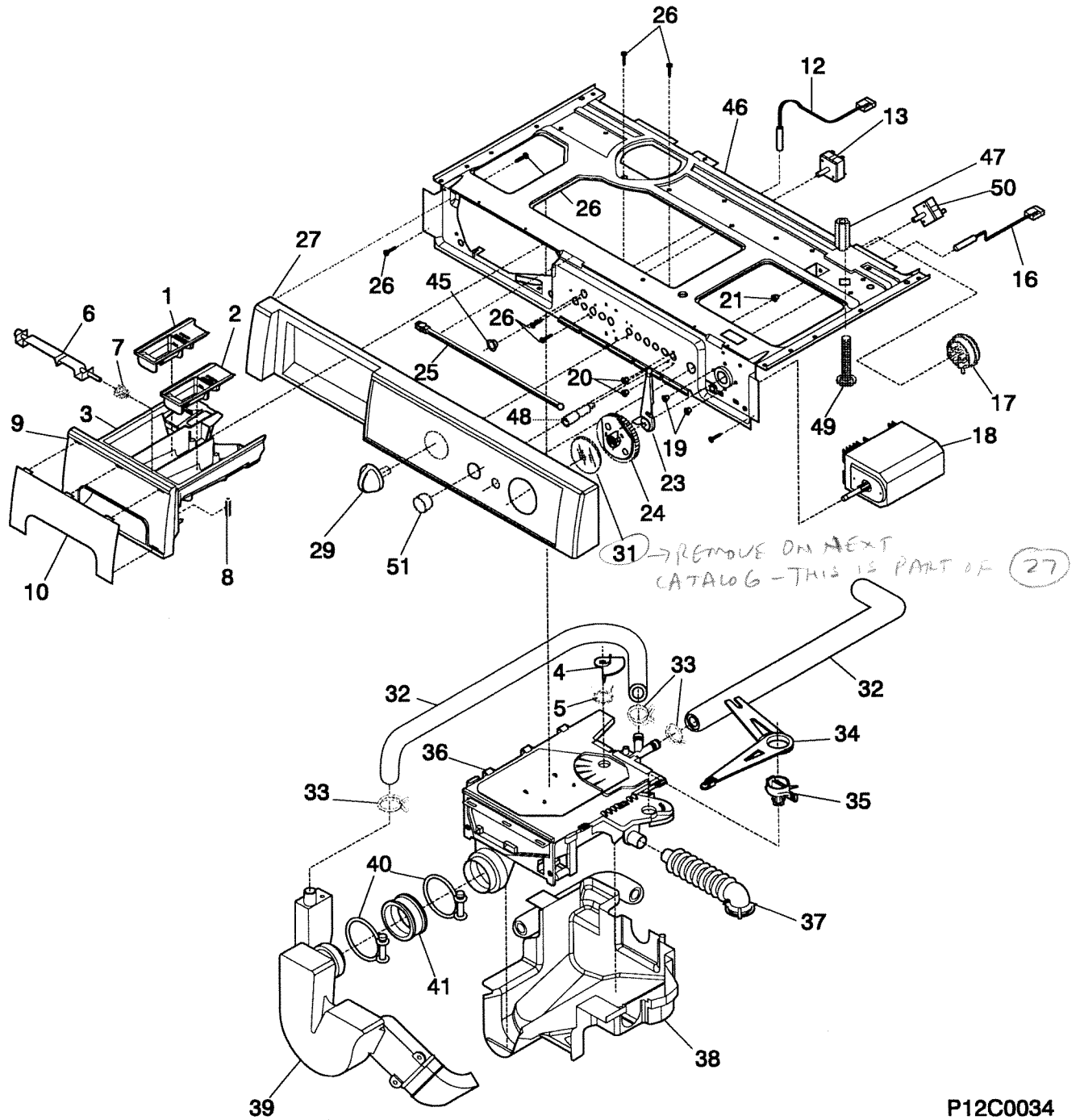
WASHER

Model No.

WE16M

WE16N

©1997 White Consolidated Industries, Inc.
All rights reserved



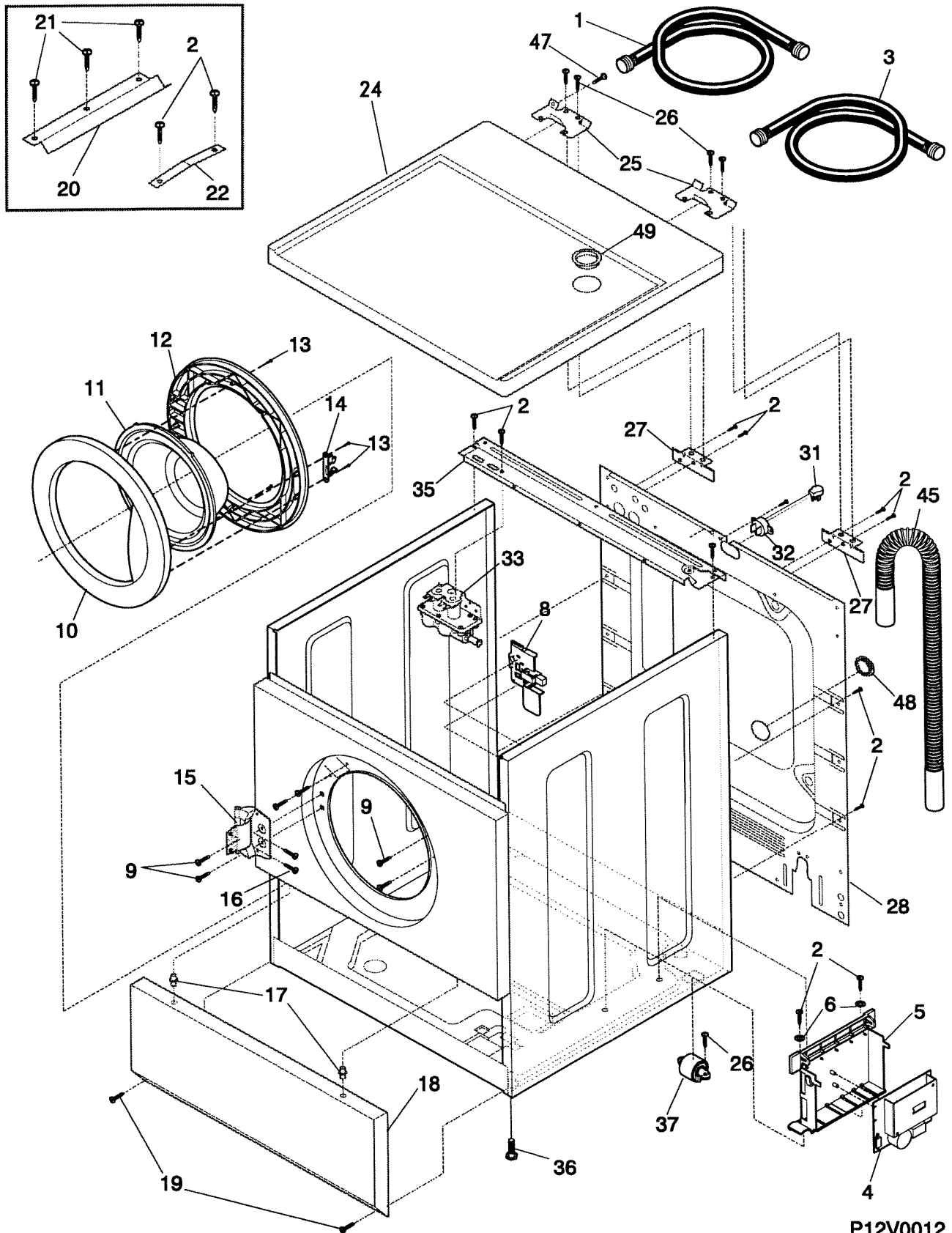
P12C0034

WE16M
WE16N
CONTROL PANEL

Publication No.
5995302550

A = WE16 (WE16M0)
B = WE16 (WE16N0)

POS. NO	PART NO		DESCRIPTION
1	131272100	A B	Cover-bleach
2	131272000	A B	Cover-softener
3	131271900	A B	Drawer-dispenser
4	131271300	A B	Pin
5	131271200	A B	Spring
6	131676300	A B	Latch-dispenser
7	131427500	A B	Spring
8	131373800	A B	Magnet
9	131689900	A B	Handle-disp drawer
10	131689900	A B	trim-drawer
12 #	131505900	A B	Switch-reed
13 #	131656600	A B	Switch-water temp.
16	131349000	A B	Light-pilot
17 #	131273700	A B	Switch-pressure
18 #	131656000	A B	Timer-coin op
19	131670300	A B	Screw-timer,10-32x.245 ,quadrex ph
20	131311700	A B	Screw-sw rinse,quad ph unc 2a ,8-32x.15
21	131243700	A B	Screw,pan head ,8-18AB x 0.375 , cr/sq drive
23	131270200	A B	Lever-cam
24	131656100	A B	Cam-timer
25	131271400	A B	Rod
26	131205100	A B	Screw,#8 pan head ,10-10B x 0.50 , cr/sq drive
27	131691002	A B	Panel-control,/trim
29	131264500	A B	Knob-rotary
31	131696600	A B	Lens-pointer timer
32 #	131272400	A B	Hose-siphon/fill
33	131306215	A B	Clamp
34	131465200	A B	Arm-pivot
35	131271500	A B	Disp-eccentric
36	131270300	A B	DISPENSER ASSY,Includes #1,2 , 3,4,5,35,and 37
37 #	131271600	A B	Hose-tub
38	131351000	A B	Shield-dispenser
39	131272300	A B	Duct-fill
40	131333100	A B	Clamp
41	131272200	A B	Ring-junction
45	5303321107	A B	Bushing
46	131267001	A B	bracket-controls mtg
47	131655600	A -	Spacer-coin op
48	131686000	A B	Extension-start sw
49	131686600	A -	Bolt-security,3/8-16x2.00
50 #	131048000	A B	Switch-push/start
51	131111501	A B	Button-start switch,white
*	131709200	A B	Harness-main



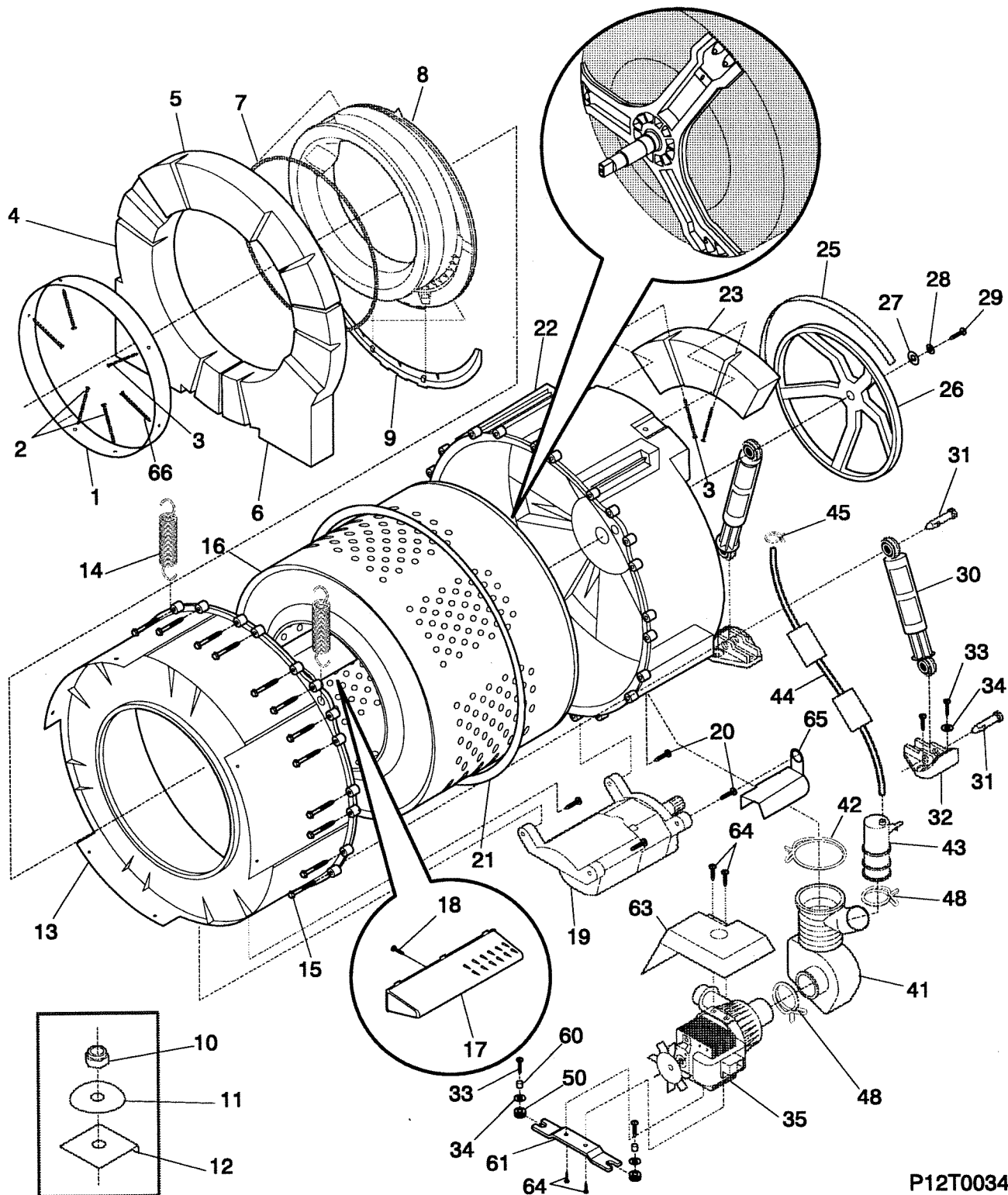
P12V0012

WE16M
WE16N
CABINET/DOOR

Publication No.
5995302550

A = WE16 (WE16M0)
B = WE16 (WE16N0)

POS. NO	PART NO		DESCRIPTION
1 #	131279600	A B	Hose-inlet cold
2	131168200	A B	Screw,8-18 x 0.31
3 #	131279601	A B	Hose-inlet hot
4 #	131690700	A B	Control-speed
5	131268900	A B	Box-control
6	131304300	A B	Washer .21X.71X.06,.21x.71x.06
8 #	131269400	A B	Lock-door assy
9	131303300	A B	Screw-lock,ph ab ,10-16x.50
10	131278700	A B	Door-outer
11	131278800	A B	Glass-door
12	131278900	A B	Door-inner
13	131302901	A B	Screw,10-16x.75
14	131279000	A B	Catch-door
15	131269300	A B	Hinge-door
16	131205300	A B	Screw-door,10-16x.75
17	131346400	A B	Pin-locating
18	131279300	A B	Panel-service white
19	131358400	A B	Screw-panel,hwhd ab ,8-18x1.125
20	131460900	A B	Bracket-top front
21	131243700	A B	Screw,pan head ,8-18AB x 0.375 , cr/sq drive
22	131279500	A B	Retainer-spring
24	131677328	A -	Panel-top
24	131677308	- B	Panel-top
25	131668200	A B	Bracket-top pnl
26	131243800	A B	Screw-pan HD locking,8-32CA
27	131461000	A B	Bracket-top rear
28	131686700	A B	Panel-back
30	5303314118	A B	Nut
31	5303208765	A B	Cord-service
32	5303209428	A B	Bushing-cord
33 #	5303207418	A B	Valve-water
35	131427600	A B	Bracket
36	131003900	A B	Leg,pad/nut
37	131304200	A B	Roller Assy
45 #	131461200	A B	Hose-drain,90 inch
47	131243800	A B	Screw-brkt top,pan hd locking , 8-32CA x 0.375,cr/sq drive
48	131453000	A B	Bushing-drain hose
49	131453001	A B	Bushing-top panel
*	131698300	A B	Plate-name



P12T0034

Do HAVE

TUB/MOTOR

A = WE16 (WE16M0)
B = WE16 (WE16N0)

POS. NO	PART NO		DESCRIPTION
1	131277000	A B	Ring-weight
2	131303401	A B	Bolt, 1/4-20x4.50
3	131303402	A B	Bolt, 1/4-20x4.05
4	131276500	A B	Weight-lwr left
5	131276600	A B	Weight-top front
6	131276400	A B	Weight-lwr right
7	131277300	A B	Spring-boot
8	131277100	A B	Boot
9	131277200	A B	Reinforcement
10	131304700	A B	Nut
11	131276900	A B	Washer-spring
12	131276800	A B	Plate-weight
13	131618600	A B	Shell-front tub
14	131663600	A B	Spring/sleeve
15	131303900	A B	Screw, hxwhd a , 1/4-10x2.165
16	131618500	A B	Tub-spin
17	131274600	A B	Vane
18	131302800	A B	Screw-vane, quad ph ab , 10-16x.375
19 #	131276200	A B	Motor-main, 850
20	131303500	A B	Screw-motor, hwhd ab , 12-14x1.50
21	131275900	A B	Seal-shell
22	131462800	A B	Shell-rear/bearing
23	131276700	A B	Weight-rear top
25 #	131276300	A B	Belt
26 #	131632500	A B	Pulley-drum
27	131304400	A B	Washer, 41x1.500x.120
28	131304500	A B	Washer-lock, 3/8
29	131303700	A B	Screw-pulley, m10x.92
30	131268200	A B	Level-shock
31	131268300	A B	Pin-level
32	131268100	A B	Bracket-shock
33	131303100	A B	Screw-bracket, hwhd ab , 10-16x.625
34	131304300	A B	Washer .21X.71X.06, .21x.71x.06
35 #	131268400	A B	Pump-drain
41	131277400	A B	Trap
42	131333101	A B	Clamp
43	131277500	A B	Chamber-air
44	131277600	A B	Tube-pressure
45	131306202	A B	Clamp
48	131306234	A B	Clamp-pump
50	131268600	A B	Grommet-pump
60	131268700	A B	Spacer-pump
61	131268500	A B	Bracket-pump
63	131351500	A B	Shield-pump
64	5303283072	A B	Screw, pump/brk/shield
65	131702200	A B	Shield-motor
66	131303403	A B	Bolt-carriage, 1/4-20x4.20