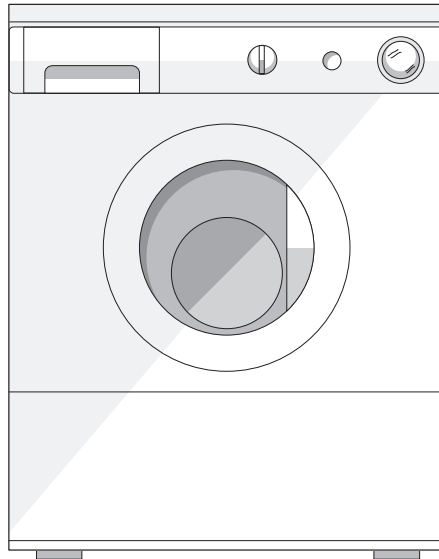


FACTORY PARTS CATALOG WASHER

WASCOMAT



PRODUCT NO.	BASE MODEL NO.	COLOR	WIRING DIAGRAM
WE16M1	WE16M	White	131680200
WE16N1	WE16N	White	131680200

 **FRIGIDAIRE**
HOME PRODUCTS

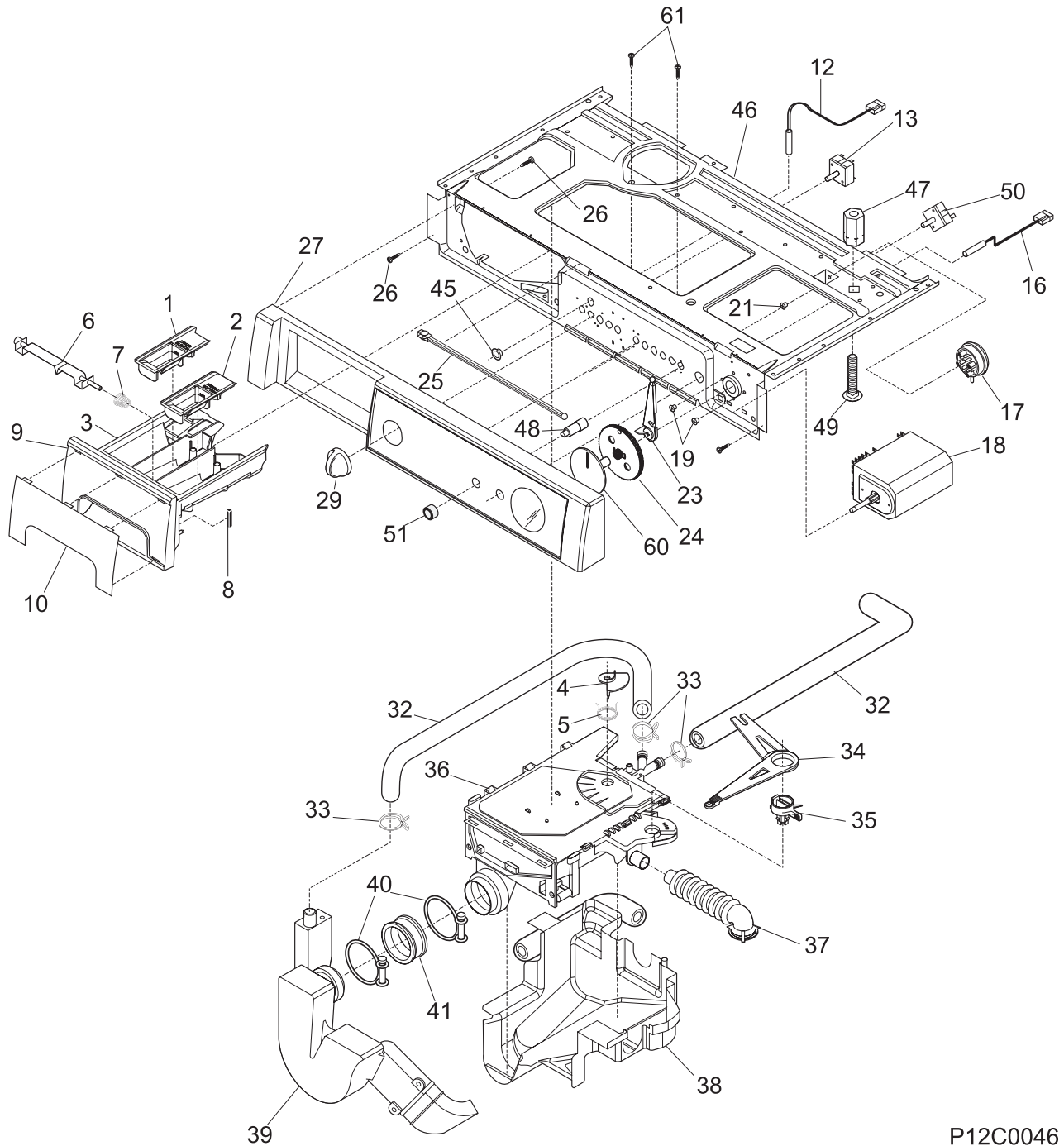
6000 Perimeter Drive
Dublin, OH 43017

Publication No.
5995310082
980709
-EN/SERVICE /DEF
361

WASHER

Model No.
WE16

©1997White Consolidated Industries, Inc.
All rights reserved

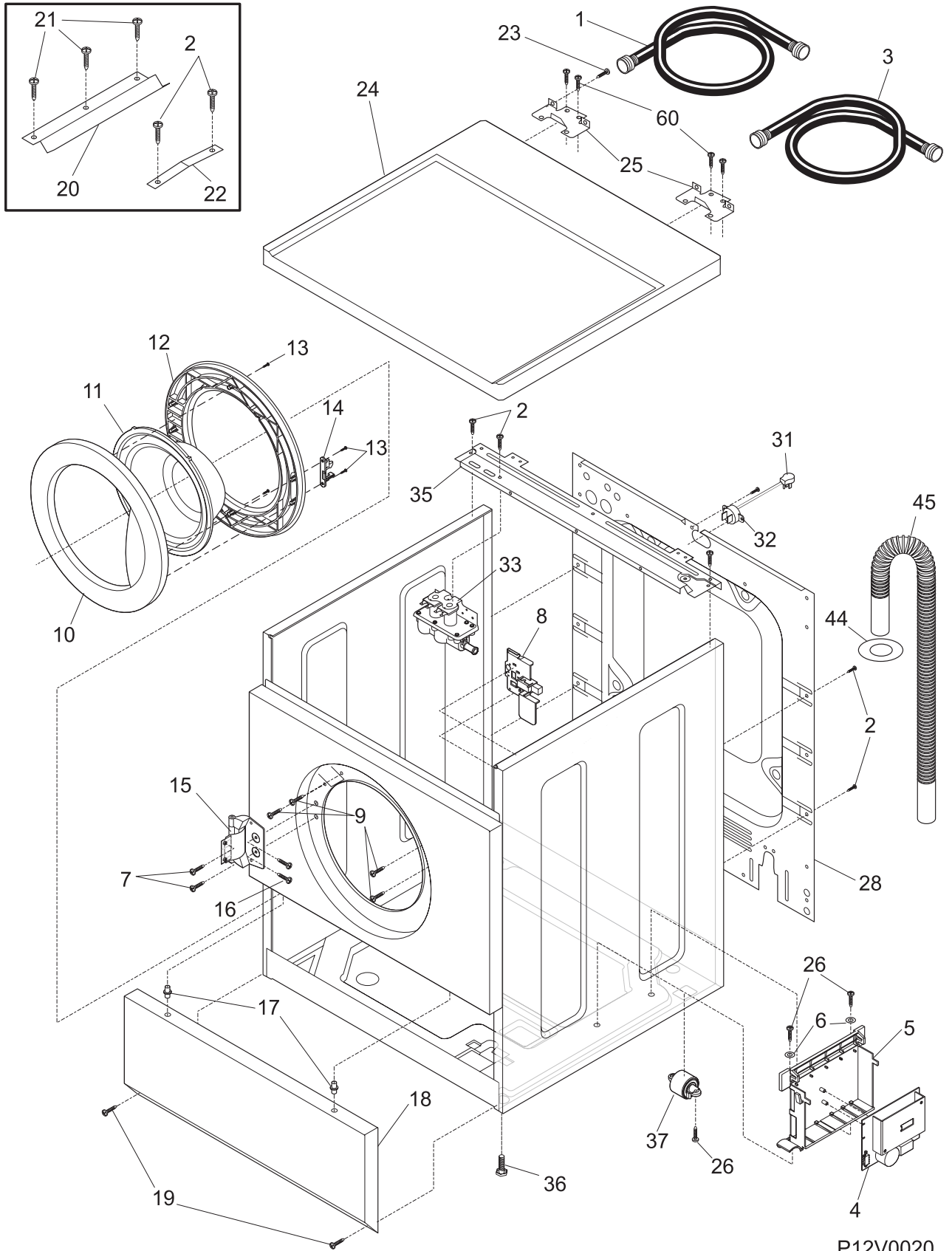


P12C0046

CONTROL PANEL

A = WE16 (WE16M1)
B = WE16 (WE16N1)

POS. NO	PART NO		DESCRIPTION
1	131272100	A B	Cover-bleach
2	131272000	A B	Cover-softener
3	131271900	A B	Drawer-dispenser
4	131271300	A B	Pin
5	131271200	A B	Spring
6	131374500	A B	Latch-handle
7	131427500	A B	Spring
8	131373800	A B	Magnet
9	131689600	A B	Handle-disp drawer
10	131689900	A B	Trim-drawer
12 #	131505900	A B	Switch-reed
13 #	131656600	A B	Switch-water temp.
16	131349000	A B	Light-pilot
17 #	131273700	A B	Switch-pressure
18 #	131656000	A B	Timer-coin op
19	131670300	A B	Screw-timer,10-32x.245 ,quadrex ph
21	131243700	A B	Screw,pan head ,8-18AB x 0.375 ,39 , cr/sq drive
23	131270200	A B	Lever-cam
24	131656100	A B	Cam-timer
25	131271400	A B	Rod
26	131168200	A B	Screw,8-18 x 0.31
27	131691006	A B	Asmy-Console/Trim Coin-OP
29	131264500	A B	Knob-rotary
32 #	131272400	A B	Hose-siphon/fill
33	131306215	A B	Clamp
34	131465200	A B	Arm-pivot
35	131271500	A B	Disp-eccentric
36	131270300	A B	Dispenser Assy,Includes #1,2 , 3,4,5,35,and 37
37 #	131271600	A B	Hose-tub
38	131351000	A B	Shield-dispenser
39	131272300	A B	Duct-fill
40	131333100	A B	Clamp
41	131272200	A B	Ring-junction
45	5303321107	A B	Bushing
46	131730600	A B	Bracket-controls
47	131655600	A -	Spacer-coin op
48	131686000	A B	Extension-start sw
49	131686600	A -	Bolt-security,3/8-16x2.00
50 #	131048000	A B	Switch-push/start
51	131111501	A B	Button-start switch,white
60	131652900	A B	Dial-timer
61	131205100	A B	Screw,#8 pan head ,10-10B x 0.50 , cr/sq drive
*	131709200	A B	Harness-main



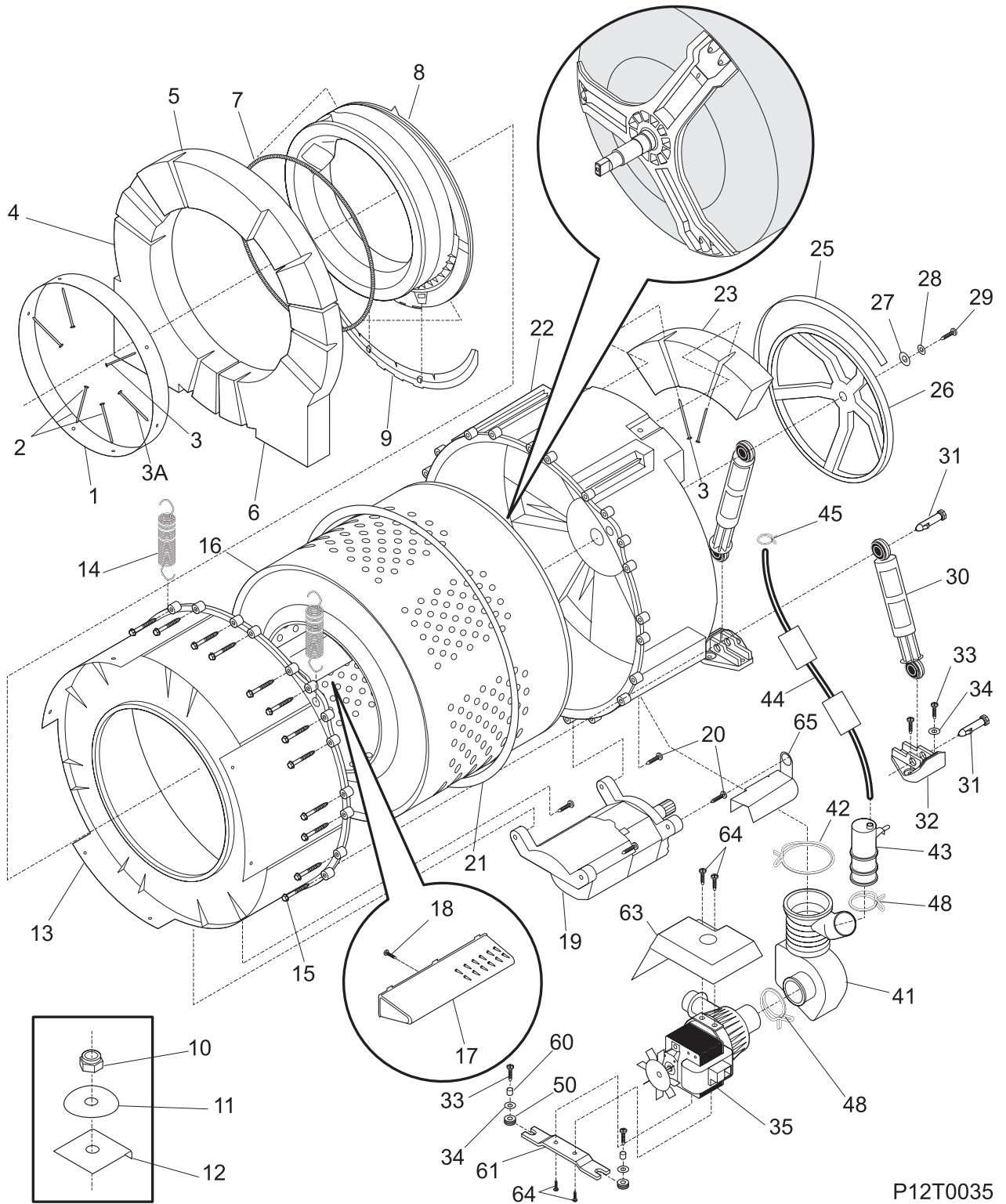
P12V0020

CABINET,DOOR &TOP

A = WE16 (WE16M1)
B = WE16 (WE16N1)

POS. NO	PART NO		DESCRIPTION
1	131279602	A B	Asmy-Inlet Hose Cold
2	131168200	A B	Screw,8-18 x 0.31
3	131279603	A B	Asmy-Inlet Hose-Hot
4	131725300	A B	Control Speed
5	131268900	A B	Box-control
6	131304300	A B	Washer .21X.71X.06,.21x.71x.06
7	131205300	A B	Screw-door,10-16x.75
8 #	131269400	A B	Lock-door assy
9	131303300	A B	Screw-lock,ph ab ,10-16x.50
10	131278700	A B	Door-outer
11	131278800	A B	Glass-door
12	131278900	A B	Door-inner
13	131302901	A B	Screw,10-16x.75
14	131279000	A B	Catch-door
15	131269300	A B	Hinge-door
16	131696300	A B	Screw 10-16X.312 QUAD PN HD
17	131346400	A B	Pin-locating
18	131279300	A B	Panel-service white
19	131358400	A B	Screw-panel,hwhd ab ,8-18x1.125
20	131460900	A B	Bracket-top front
21	131243700	A B	Screw,pan head ,8-18AB x 0.375 ,39 , cr/sq drive
22	131279500	A B	Retainer-spring
23	131243800	A B	Screw-brkt top,pan hd locking , 8-32CA x 0.375,cr/sq drive
24	131677308	- B	Panel-top
24	131677328	A -	Panel-top
25	131668200	A B	Bracket-top pnl
26	131311900	A B	Screw,quadrex ph ab ,8-18x1/2
28	131734800	A B	Panel-back
31	5303208765	A B	Cord-service
32	5303209428	A B	Bushing-cord
33 #	5303207418	A B	Valve-water
35	131732900	A B	Back Reinforcement
36	131003900	A B	Leg,pad/nut
37	131304200	A B	Roller Assy
44	131707800	A B	Ring-Drain Hose
45 #	131461200	A B	Hose-drain,90 inch
60	131662200	A B	Screw-brkt top,8-18x.50 6 ,lobe phd ab
*	131453000	A B	Bushing-drain hose
*	131453001	A B	Bushing-top panel
*	131698300	A B	Plate-name

TUB & MOTOR



P12T0035

TUB & MOTOR

A = WE16 (WE16M1)
B = WE16 (WE16N1)

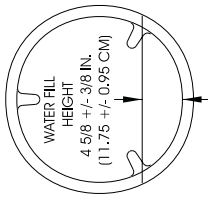
POS. NO	PART NO		DESCRIPTION
1	131277000	A B	Ring-weight
2	131303401	A B	Bolt, 1/4-20x4.50
3	131303402	A B	Bolt, 1/4-20x4.05
3A	131303403	A B	Bolt-Carriage, 1/4-20x4.20
4	131276500	A B	Weight-lwr left
5	131276600	A B	Weight-top front
6	131276400	A B	Weight-lwr right
7	131277300	A B	Spring-boot
8	131277100	A B	Boot
9	131277200	A B	Reinforcement
10	131304700	A B	Nut
11	131276900	A B	Washer-spring
12	131276800	A B	Plate-weight
13	131618600	A B	Shell-front tub
14	131663600	A B	Spring/sleeve
15	131303900	A B	Screw,hxwhd a , 1/4-10x2.165
16	131618500	A B	Tub-spin
17	131274600	A B	Vane
18	131302800	A B	Screw-vane,quad ph ab ,10-16x.375
19 #	131276200	A B	Motor-main,850
20	131303500	A B	Screw-motor,hwhd ab ,12-14x1.50
21	131275900	A B	Seal-shell
22	131462800	A B	Shell-rear/bearing
23	131276700	A B	Weight-rear top
25 #	131276300	A B	Belt
26 #	131632500	A B	Pulley-drum
27	131304400	A B	Washer,.41x1.500x.120
28	131304500	A B	Washer-lock,3/8
29	131303700	A B	Screw-pulley,m10x.92
30	131268200	A B	Level-shock
31	131268300	A B	Pin-level
32	131268100	A B	Bracket-shock
33	131303100	A B	Screw-bracket,hwhd ab ,10-16x.625
34	131304300	A B	Washer .21X.71X.06,.21x.71x.06
35 #	131268400	A B	Pump-drain
41	131277400	A B	Trap
42	131333101	A B	Clamp
43	131277500	A B	Chamber-air
44	131277600	A B	Tube-pressure
45	131306202	A B	Clamp
48	131306234	A B	Clamp-pump
50	131268600	A B	Grommet-pump
60	131268700	A B	Spacer-pump
61	131268500	A B	Bracket-pump
63	131351500	A B	Shield-pump
64	5303283072	A B	Screw,pump/brk/shield
65	131702200	A B	Shield-motor
*	131560000	A B	Sleeve-lower spring,tub
*	131592200	A B	Sleeve-upper spring,tub

WIRING DIAGRAM

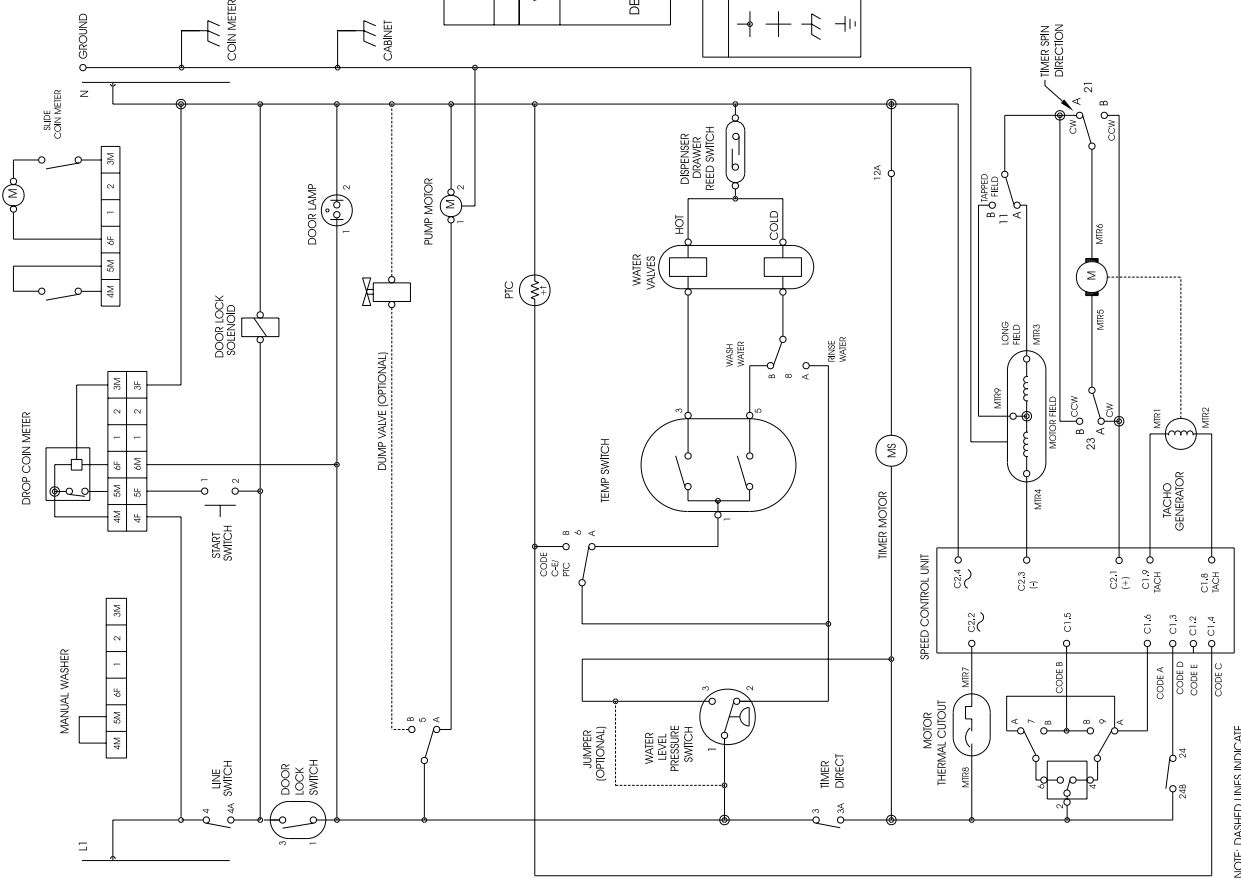
SPEED CONTROL UNIT OPERATION

DRUM RPM	PHASES DESCRIPTION	CODE	E	D	C	B	A
0	NO ACTION	/	6B	24	6B	7B/9B	7A/9A
0	NO ACTION	/	0	0	0	0	0
52	NO ACTION (AGIT OFF)	/	0	0	0	0	0
52	AGIT - CONTINUOUS	N	0	1	0	0	1
0	NO ACTION (AGIT OFF)	/	0	0	0	0	0
450	SPIN - CONTINUOUS	S1	1	X	0	0	0
450	SPIN - CONTINUOUS	S1+S1	0	X	0	0	0
450	INTERVAL SPIN	S1+S1	0	X	1	0	1
650	SPIN - CONTINUOUS	S2	1	X	0	1	0
850	SPIN - CONTINUOUS	S3	0	X	1	1	0

1 = 120 VAC, 0=0 VAC, X=DON'T CARE



NO LOAD, START POSITION OF PERMANENT PRESS



NOTE DASHED LINES INDICATE WIRING INSTALLED IN ALL MODELS.

WATER TEMPERATURE SWITCH CIRCUIT

WASH	1-3	1-5	2-4	2-6
HOT	X	X	X	X
WARM	X	X	X	X
COLD	X	X	X	X
DELICATE	X	X	X	X

WIRING CODES

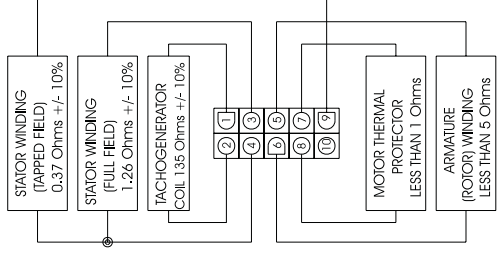
CONNECTION	RED
NO CONNECTION	BROWN
CHASSIS (CABINET) GROUND	BLUE
EARTH GROUND	WHITE

CONNECTION POSITION

24	24B	23	21	23A	21A	23B	21B
12A	11	11A	11B	9A	9B	7A	7B
8	8A	8B	6A	6B	4A	4B	3A

COMPONENT RESISTANCE TABLE

ELECTRICAL COMPONENT	RESISTANCE Ohms VALUE 10% @ 77F(25C)
WATER VALVE SOLENOIDS	880
DOOR LOCK SOLENOID	380
TIMER MOTOR	2070
PUMP MOTOR	4.6



MOTOR CONNECTOR

WARNING TO REDUCE THE RISK OF ELECTRICAL SHOCK DISCONNECT THIS APPLIANCE FROM THE POWER SUPPLY BEFORE ATTEMPTING ANY USER MAINTENANCE. TURNING THE CONTROLS TO THE OFF POSITION DOES NOT DISCONNECT THIS APPLIANCE FROM THE POWER SUPPLY.

WIRING DIAGRAM
P/N 131680200