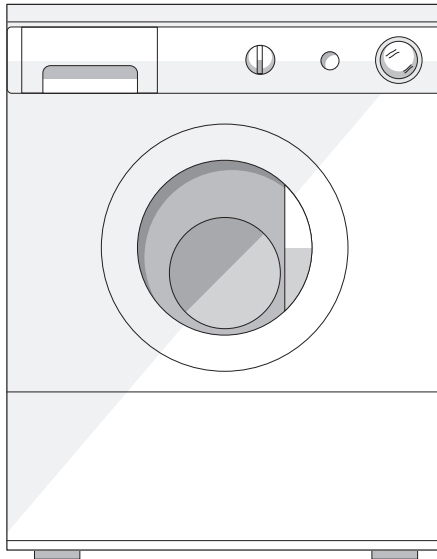


# FACTORY PARTS CATALOG WASHER

## WASCOMAT



PRODUCT NO.	BASE MODEL NO.	COLOR
WE16M2	WE16	White
WE16N2	WE16	White

WIRING DIAGRAM # - 131784800

 **FRIGIDAIRE**  
HOME PRODUCTS

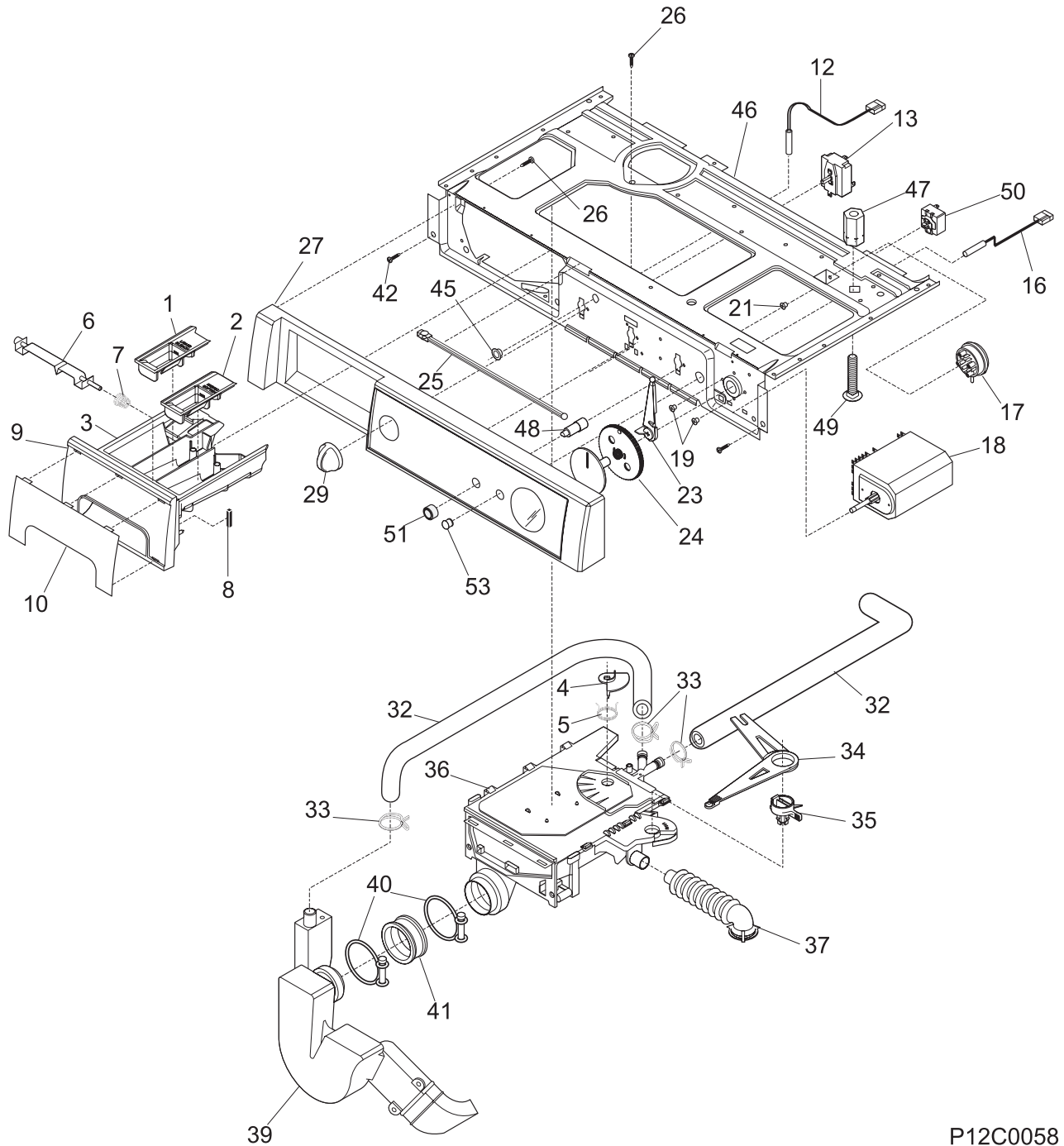
6000 Perimeter Drive  
Dublin, OH 43017

Publication No.  
5995314316  
981030  
-EN/SERVICE /JAB  
361

FRONTLOAD WASHER

Model No.  
WE16

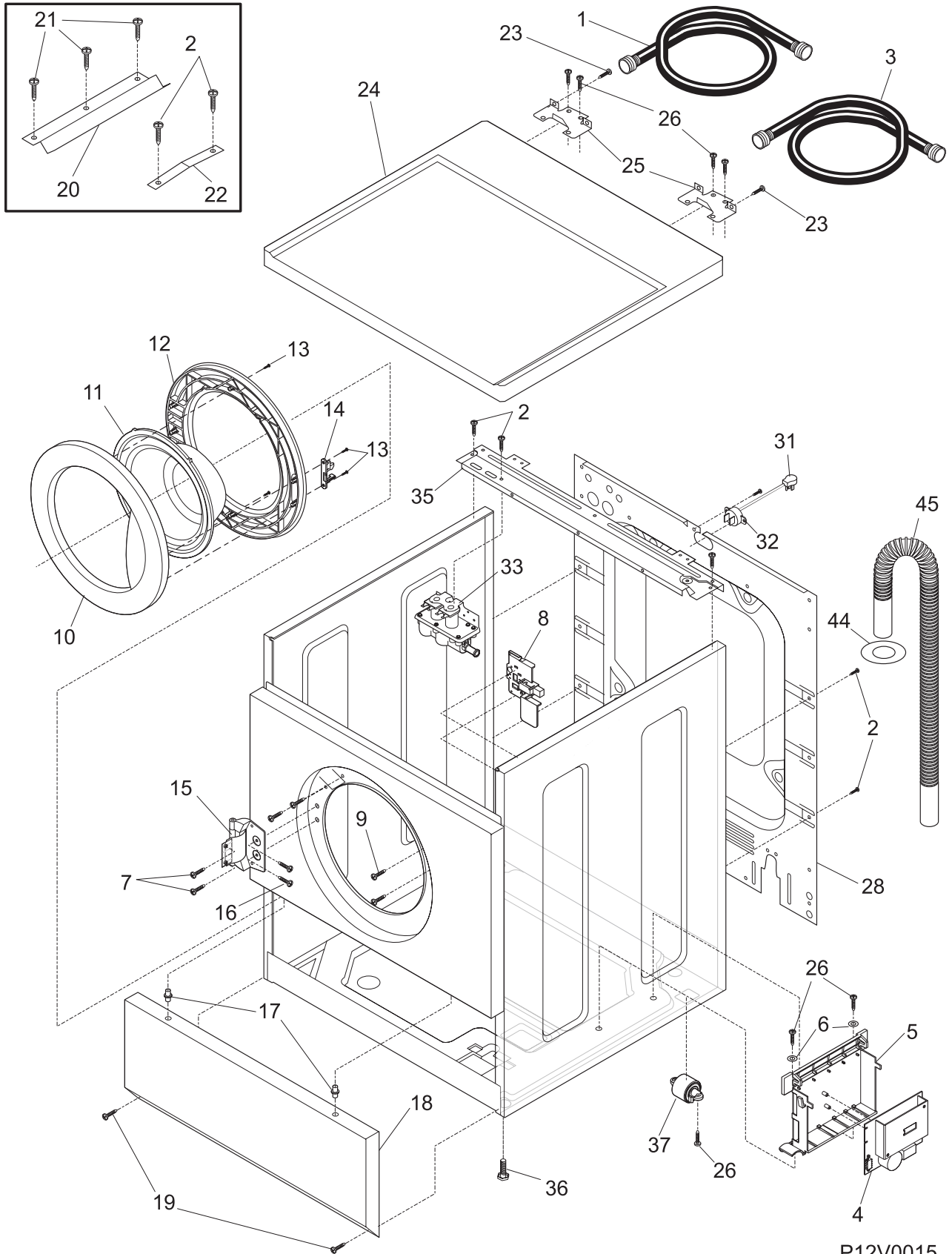
©1997White Consolidated Industries, Inc.  
All rights reserved



P12C0058

## CONTROL PANEL

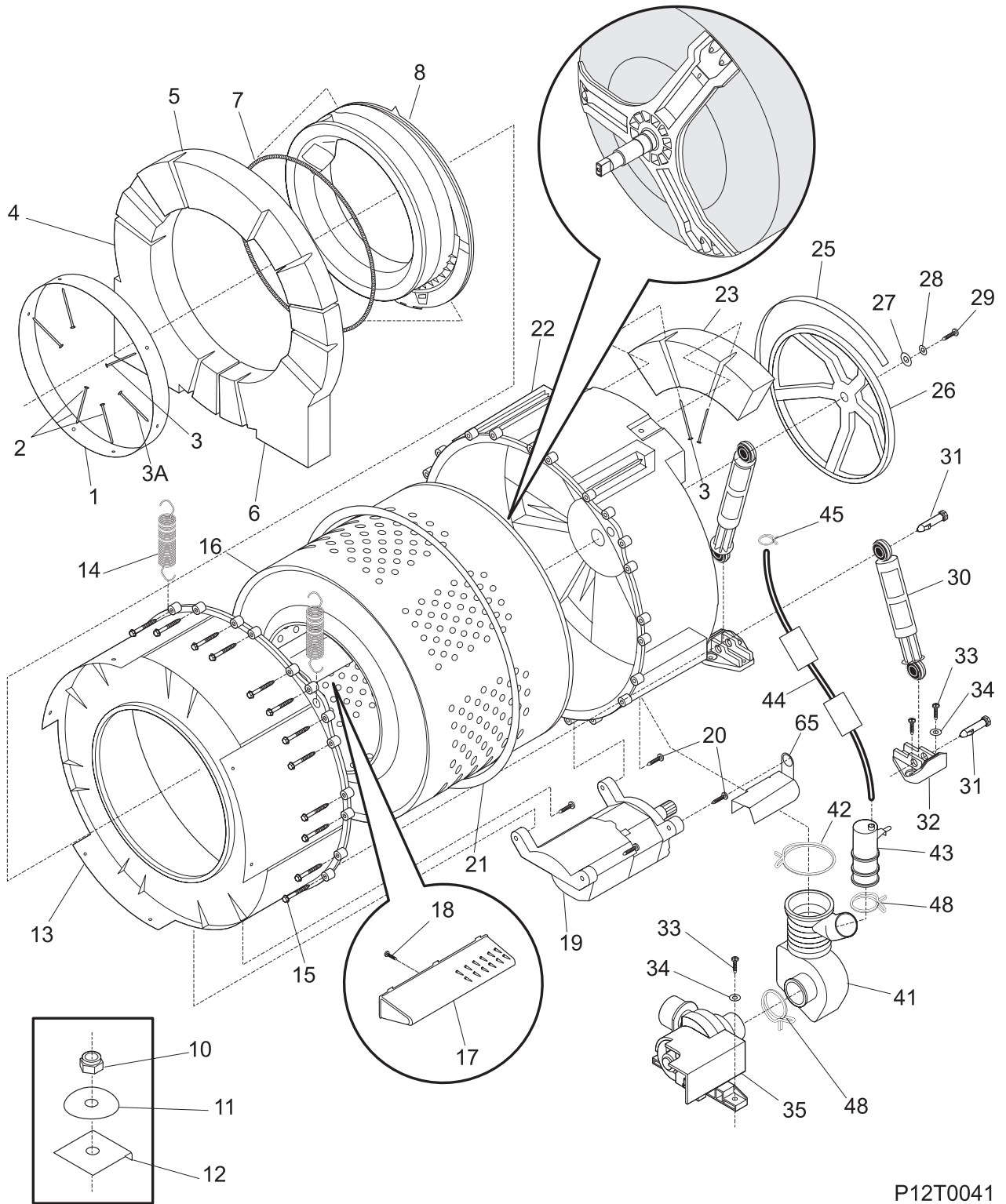
POS. NO	PART NO	DESCRIPTION
1	131272100	Cover-bleach
2	131272000	Cover-softener
3	131271900	Drawer-dispenser
4	131271300	Pin
5	131271200	Spring
6	131374500	Latch-handle
7	131427500	Spring
8	131373800	Magnet
9	131691202	Asmy-handle
10	131689900	Trim-drawer
12 #	131505900	Switch-reed
13 #	131656600	Switch-water temp.
16	131349000	Light-pilot
17 #	131273700	Switch-pressure
18 #	131656000	Timer-coin op
19	131670300	Screw-timer,10-32x.245 ,quadrex ph
21	131243700	Screw,pan head, 8-18AB x 0.375, cr/sq drive
23	131270200	Lever-cam
24	131656100	Cam-timer
25	131271400	Rod
26	131205100	Screw, #8 pan head, 10-10B x 0.50, cr/sq drive
27	131691006	Asmy-console/trim coin-op
29	131264500	Knob-rotary
32 #	131272400	Hose-siphon/fill
33	131306215	Clamp
34	131465200	Arm-pivot
35	131271500	Disp-eccentric
36	131270300	Assy-dispenser, includes #1,2, 3, 4, 5, 35, and 37
37 #	131271600	Hose-tub
39	131272300	Duct-fill
40	131333100	Clamp
41	131272200	Ring-junction
42	131168200	Screw, 8-18 x 0.31
45	5303321107	Bushing
46	131730600	Bracket-controls
47	131655600	Spacer-coin op
48	131686000	Extension-start sw
49	131686600	Bolt-security, 3/8-16x2.00
50 #	131048000	Switch-push/start
51	131111501	Button-start switch, white
53	131269601	Lens-pilot light
*	131784100	Harness-main



## CABINET,DOOR &amp;TOP

POS. NO	PART NO	DESCRIPTION
1	131279602	Asmy-Inlet Hose Cold
2	131168200	Screw, 8-18 x 0.31
3	131279603	Asmy-Inlet Hose-Hot
4	131725300	Control Speed
5	131268900	Box-control
6	131304300	Washer .21X.71X.06, .21x.71x.06
7	131205300	Screw-door, 10-16x.75
8 #	131269400	Lock-door assy
9	131303300	Screw-lock, ph ab ,10-16x.50
10	131278700	Door-outer
11	131278800	Glass-door
12	131278900	Door-inner
13	131302901	Screw, 10-16x.75
14	131279000	Catch-door
15	131269300	Hinge-door
16	131696300	Screw 10-16X.312 QUAD PN HD
17	131346400	Pin-locating
18	131279300	Panel-service white
19	131358400	Screw-panel, hwhd ab, 8-18x1.125
20	131460900	Bracket-top front
21	131243700	Screw, pan head ,8-18AB x 0.375, cr/sq drive
22	131279500	Retainer-spring
23	131243800	Screw-brkt top, pan hd locking, 8-32CA x 0.375, cr/sq drive
24	131677308	Panel-top
24	131677328	Panel-top
25	131668200	Bracket-top pnl
26	131311900	Screw, quadrex ph ab, 8-18x1/2
28	131734800	Panel-back
31	5303208765	Cord-service
32	5303209428	Bushing-cord
33 #	5303207418	Valve-water
35	131732900	Back-reinforcement
36	131003900	Leg, pad/nut
37	131304200	Roller Assy
44	131707800	Ring-drain hose
45 #	131461200	Hose-drain, 90 inch
*	131453000	Bushing-drain hose
*	131453001	Bushing-top panel
*	131698300	Plate-name
*	131785300	Cushion

TUB & MOTOR



P12T0041

## TUB &amp; MOTOR

POS. NO	PART NO	DESCRIPTION
1	131277000	Ring-weight
2	131303401	Bolt, 1/4-20x4.50
3	131303402	Bolt, 1/4-20x4.05
3A	131303403	Bolt-carriage, 1/4-20x4.20
4	131276500	Weight-lwr left
5	131276600	Weight-top front
6	131276400	Weight-lwr right
7	131277300	Spring-boot
8	131277100	Boot
10	131304700	Nut
11	131276900	Washer-spring
12	131276800	Plate-weight
13	131618600	Shell-front tub
14	131663600	Spring/sleeve
15	131303900	Screw, hxwhd a, 1/4-10x2.165
16	131618500	Tub-spin
17	131274600	Vane
18	131302800	Screw-vane, quad ph ab, 10-16x.375
19 #	131276200	Motor-main, 850
20	131303500	Screw-motor, hwhd ab, 12-14x1.50
21	131275900	Seal-shell
22	131462800	Shell-rear/bearing
23	131276700	Weight-rear top
25 #	131276300	Belt
26 #	131632500	Pulley-drum
27	131304400	Washer, .41x1.500x.120
28	131304500	Washer-lock, 3/8
29	131303700	Screw-pulley, m10x.92
30	131268200	Level-shock
31	131268300	Pin-level
32	131268100	Bracket-shock
33	131303100	Screw-bracket, hwhd ab, 10-16x.625
34	131304300	Washer .21X.71X.06,.21x.71x.06
35	131723500	Pump-drain
41	131277400	Trap
42	131333101	Clamp
43	131277500	Chamber-air
44	131277600	Tube-pressure
45	131306202	Clamp
48	131306234	Clamp-pump
65	131702200	Shield-motor
*	131560000	Sleeve-lower spring, tub
*	131592200	Sleeve-upper spring, tub

WIRING DIAGRAM

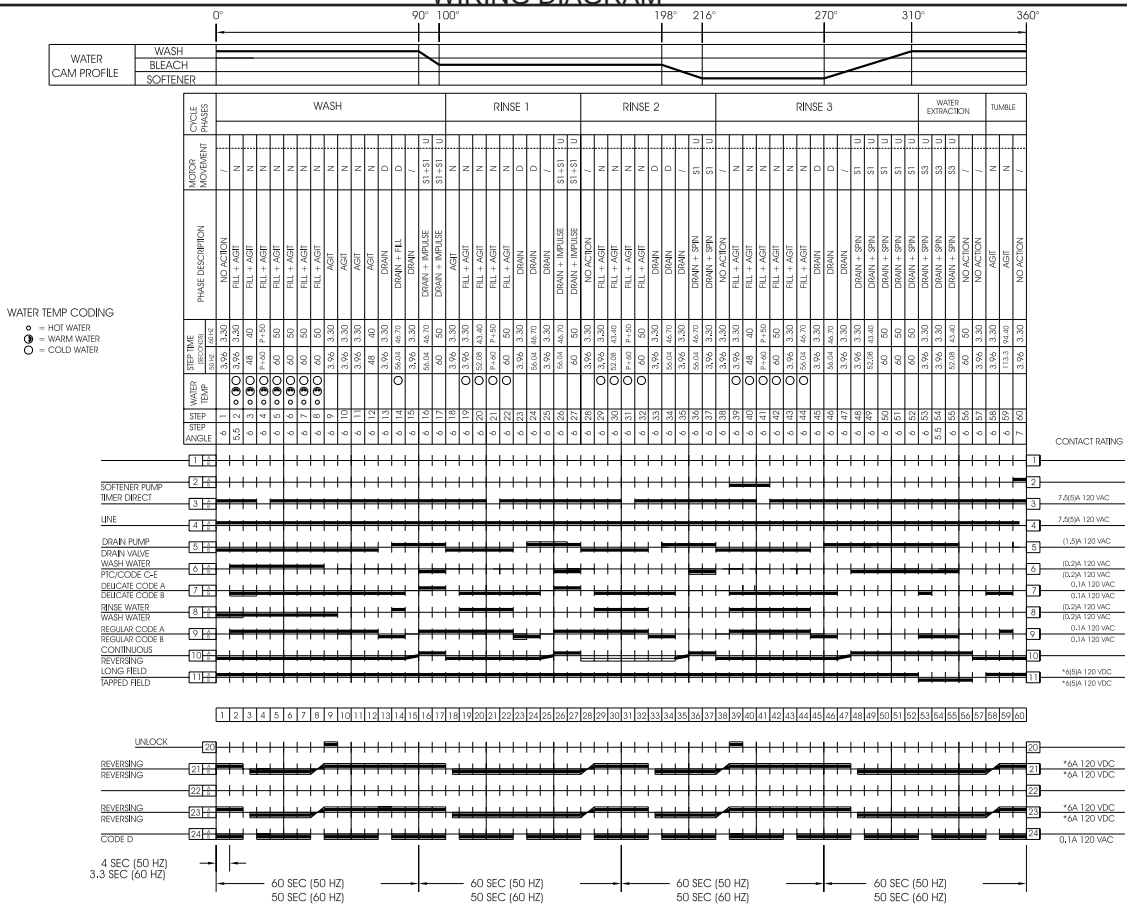
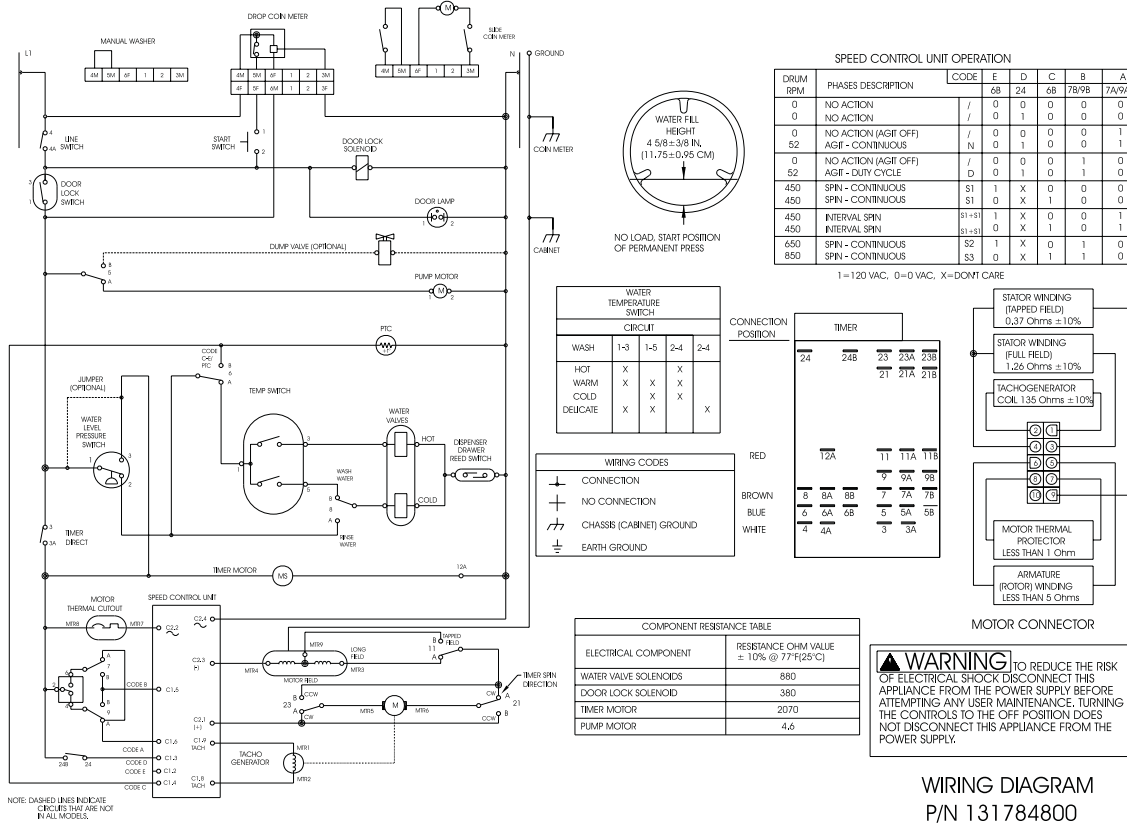


TABLE 1



WIRING DIAGRAM  
P/N 131784800