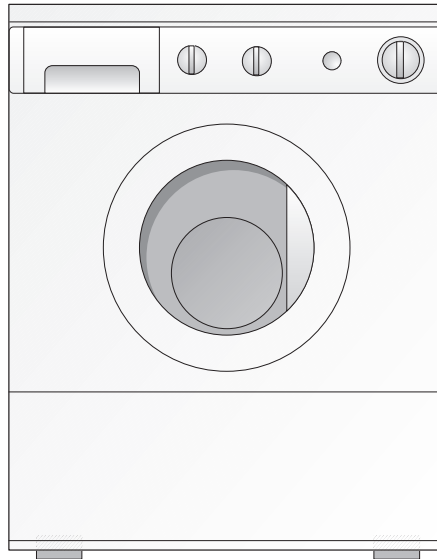


FACTORY PARTS CATALOG WASHER

WASCOMAT



PRODUCT NO.	BASE MODEL NO.	COLOR
WE16M3	WE16	White
WE16N3	WE16	White

WIRING DIAGRAM - # 131905100

 **FRIGIDAIRE**
HOME PRODUCTS

6000 Perimeter Drive
Dublin, OH 43017

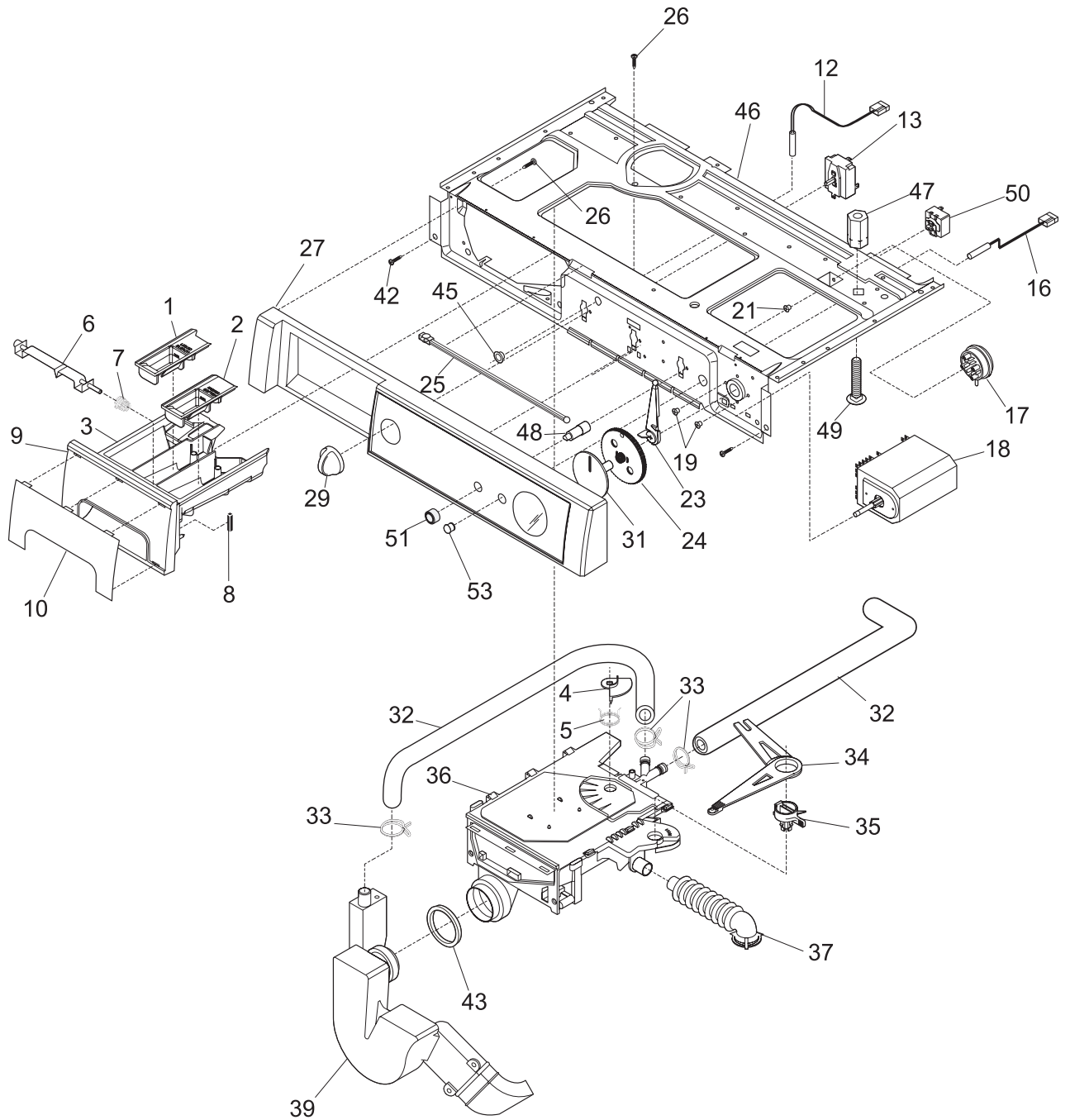
THIS PUBLICATION REPLACES
5995328746 DATED 10/11/99.

Publication No.
5995329652
991104
ENG/SERVICE/JAB
361

WASHER

Model No.
WE16

©1997White Consolidated Industries, Inc.
All rights reserved

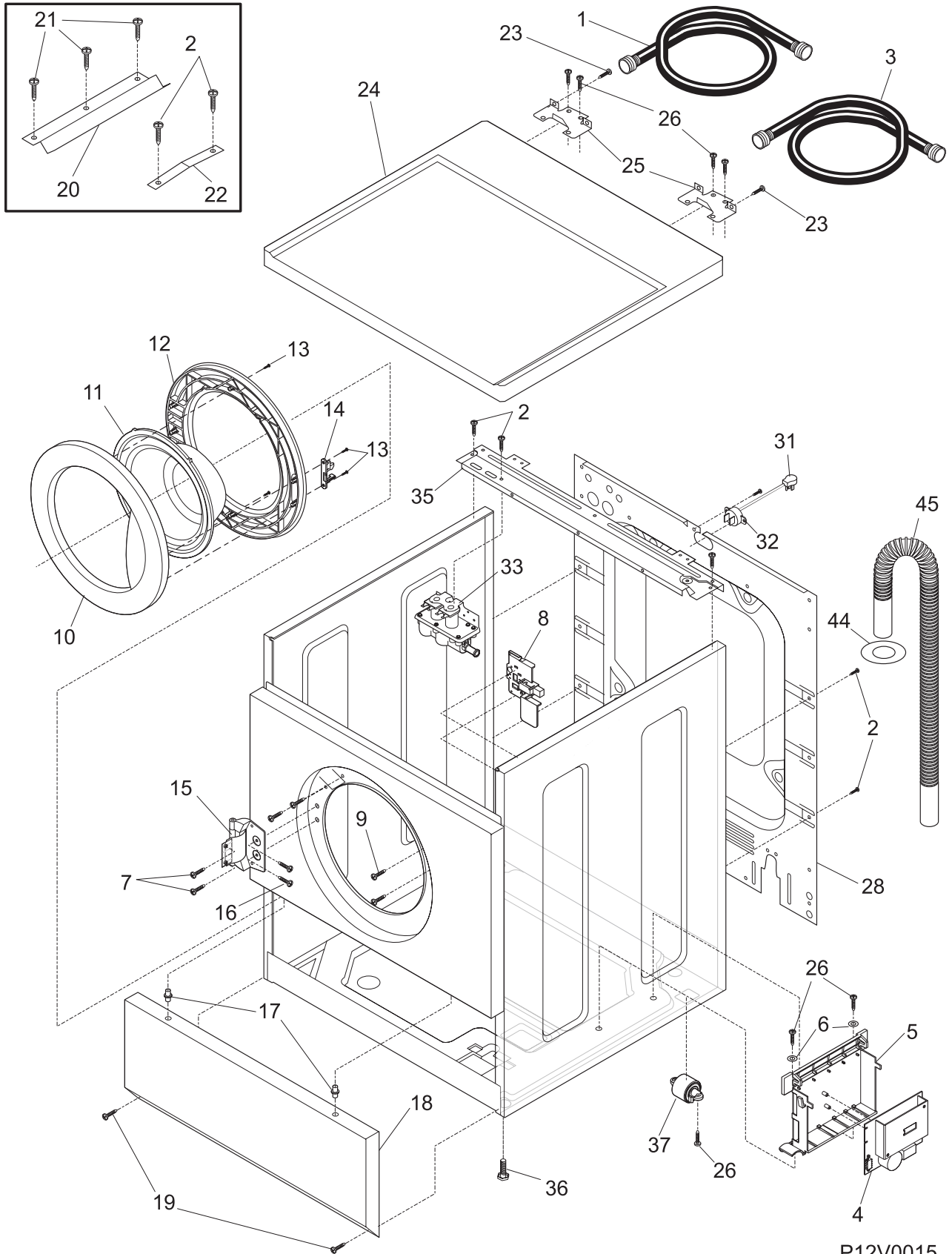


P12C0074

CONTROL PANEL

A = WE16 (WE16M3) B = WE16 (WE16N3)

POS. NO	PART NO		DESCRIPTION
1	131272100	A B	Cover-bleach
2	131272000	A B	Cover-softener
3	131271900	A B	Drawer-dispenser
4	131271300	A B	Pin
5	131271200	A B	Spring
6	131374500	A B	Latch-handle
7	131427500	A B	Spring
8	131373800	A B	Magnet
9	131691202	A B	Asmy-handle
10	131689900	A B	trim-drawer
12 #	131505900	A B	Switch-reed
13 #	131656600	A B	Switch-water temp.
16	131349000	A B	Light-pilot
17 #	131273700	A B	Switch-pressure
18	131805300	A B	Timer
19	131670300	A B	Screw-timer, 10-32 x 0.245, quadrex ph
21	131243700	A B	Screw, pan head, 8-18AB x 0.375, cr/sq drive
23	131270200	A B	Lever-cam
24	131656100	A B	Cam-timer
25	131271400	A B	Rod
26	131205100	A B	Screw, #8 pan head, 10-10B x 0.50, cr/sq drive
27	131691006	A B	Assy-console/trim coin-op
29	131264500	A B	Knob-rotary
31	131652900	A B	Dial-timer
32	131272400	A B	Hose-siphon/fill
33	131306215	A B	Clamp
34	131465200	A B	Arm-pivot
35	131271500	A B	Disp-eccentric
36	131270300	A B	Assy-detergent dispenser, includes #1, 2, 3, 4, 5, 35, and 37
37	131271600	A B	Hose-tub
39	131272300	A B	Duct-fill
42	131168200	A B	Screw, 8-18 x 0.31
43	131749200	A B	Gasket-seal
45	5303321107	A B	Bushing
46	131730600	A B	Bracket-control
47	131655600	A -	Spacer-coin op
48	131686000	A B	Extension-start sw
49	131686600	A -	Bolt-security, 3/8-16 x 2.00
50 #	131048000	A B	Switch-push/start
51	131111501	A B	Button-start switch, white
53	131269601	A B	Lens-pilot light
*	131307900	A B	Clamp
*	131784600	A B	Harness-coin op
*	131905100	A B	Wiring diagram
*	131785700	A B	Technical data sheet-coin-op
*	131680800	A B	Instal instr coin-op



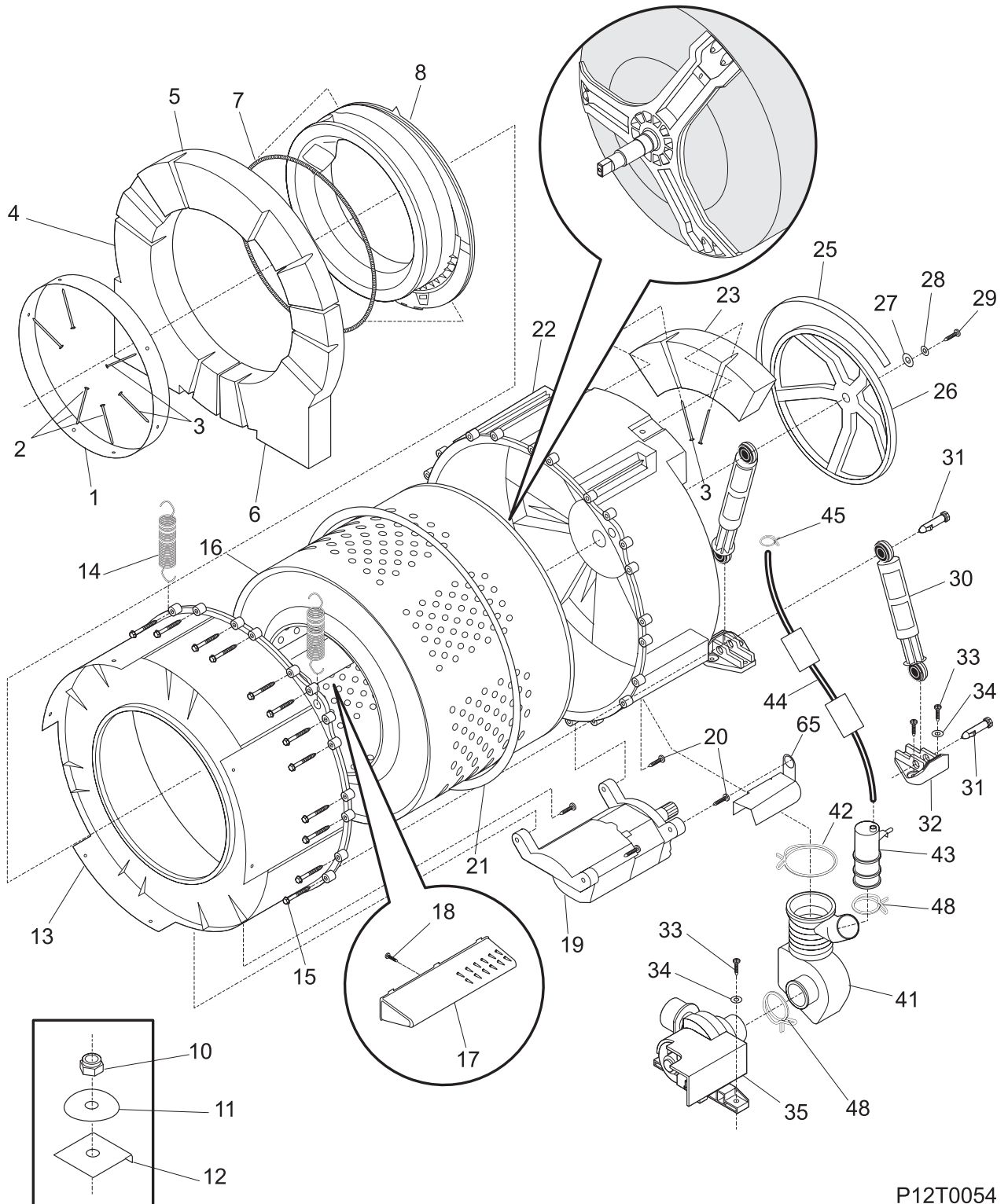
P12V0015

CABINET,DOOR &TOP

A = WE16 (WE16M3) B = WE16 (WE16N3)
--

POS. NO	PART NO		DESCRIPTION
1	131279602	A B	Asmy-Inlet Hose Cold
2	131168200	A B	Screw, 8-18 x 0.31
3	131279603	A B	Asmy-Inlet Hose-Hot
4	131725300	A B	Control Speed
5	131268900	A B	Box-control
6	131304300	A B	Washer .21 x .71 x .06
7	131205300	A B	Screw-door, 10-16 x .75
8	131763200	A B	Door lock/switch USCC
9	131303300	A B	Screw-lock, ph ab, 10-16 x .50
10	131278700	A B	Door-outer
11	131278800	A B	Glass-door
12	131278900	A B	Door-inner
13	131302901	A B	Screw, 10-16 x .75
14	131763300	A B	Catch-interior door frame
15	131269300	A B	Hinge-door
16	131696300	A B	Screw 10-16 x .312 quad pn hd
17	131346400	A B	Pin-locating
18	131279300	A B	Panel-service white
19	131358400	A B	Screw-panel, hwhd ab, 8-18 x 1.125
20	131460900	A B	Bracket-top front
21	131243700	A B	Screw, pan head, 8-18AB x 0.375, cr/sq drive
22	131279500	A B	Retainer-spring
23	131243800	A B	Screw-brkt top, pan hd locking, 8-32CA x 0.375, cr/sq drive
24	131677328	A -	Panel-top
24	131677308	- B	Panel-top
25	131668200	A B	Bracket-top pnl
26	131311900	A B	Screw, quadrex ph ab, 8-18 x 1/2
28	131734800	A B	Panel-back
31	5303208765	A B	Cord-service
32	5303209428	A B	Bushing-cord
33 #	5303207418	A B	Valve-water
35	131732900	A B	Back reinforcement
36	131003900	A B	Leg, pad/nut
37	131304200	A B	Roller Assy
44	131707800	A B	Ring-drain hose
45 #	131461200	A B	Hose-drain, 90 inch
*	131453000	A B	Bushing-drain hose
*	131453001	A B	Bushing-top panel
*	131698300	A B	Plate-name

TUB & MOTOR



P12T0054

TUB & MOTOR

A = WE16 (WE16M3)
B = WE16 (WE16N3)

POS. NO	PART NO		DESCRIPTION
1	131793400	A B	Ring-weight
2	131793301	A B	Bolt-carriage 1/4-20 x 4.5
3	131793300	A B	Bolt-carriage 1/4-20 x 4.15
4	131276500	A B	Weight-lwr left
6	131851900	A B	Counterweight-lower right
7	131277300	A B	Spring-boot
8	131277100	A B	Bellows
10	131304700	A B	Nut
11	131276900	A B	Washer-spring
12	131793500	A B	Plate-weight
13	131618600	A B	Shell-front tub
14	131663600	A B	Spring/sleeve
15	131303900	A B	Screw, hxwhd a, 1/4-10 x 2.165
16	131618500	A B	Tub-spin
17	131274600	A B	Vane
18	131302800	A B	Screw-vane, quad ph ab, 10-16 x .375
19 #	131276200	A B	Motor-main, 850
20	131303500	A B	Screw-motor, hwhd ab, 12-14 x 1.50
21	131275900	A B	Seal-shell
22	131462800	A B	Shell-rear/bearing
23	131709300	A B	Weight-upper back
25 #	131276300	A B	Belt
26 #	131632500	A B	Pulley-drum
27	131304400	A B	Washer, .41 x 1.500 x .120
28	131304500	A B	Washer-lock, 3/8
29	131303700	A B	Screw-pulley, m10 x .92
30	131268200	A B	Level-shock
31	131268300	A B	Pin-level
32	131268100	A B	Bracket-shock
33	131303100	A B	Screw-bracket, hwhd ab, 10-16 x .625
34	131304300	A B	Washer .21 x .71 x .06
35	131723500	A B	Pump-drain
41	131784700	A B	Hose-coin trap-tub to pump
42	131333101	A B	Clamp
43	131277500	A B	Chamber-air
44	131277600	A B	Tube-pressure
45	131306202	A B	Clamp
48	131306234	A B	Clamp-pump
65	131702200	A B	Shield-motor
*	131560000	A B	Sleeve-lower spring, tub
*	131592200	A B	Sleeve-upper spring, tub

WIRING DIAGRAM

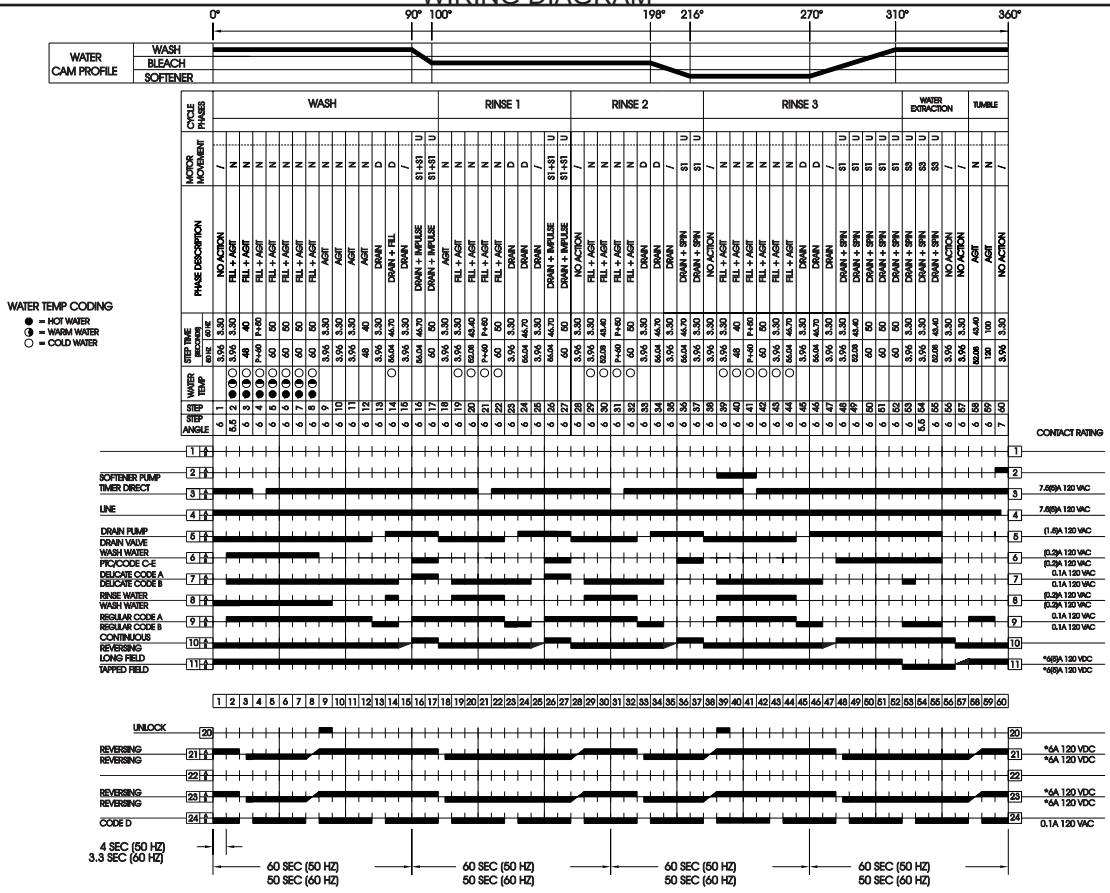
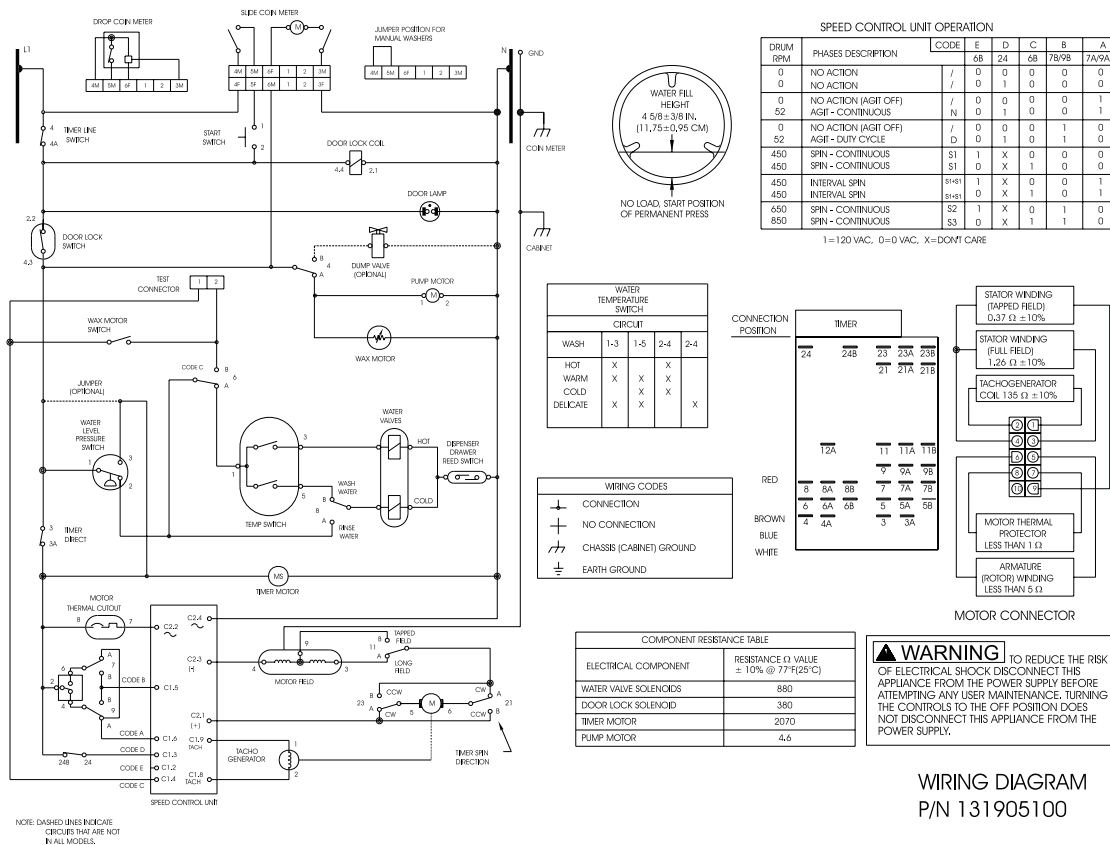


TABLE 1



WIRING DIAGRAM
P/N 131905100