

PARTS LIST

for



COMMERCIAL AUTOMATIC WASHER

MODEL
CAM2762KQ0



FOR CUSTOMER SATISFACTION ALWAYS USE
FACTORY SPECIFICATION PARTS



Whirlpool CORPORATION

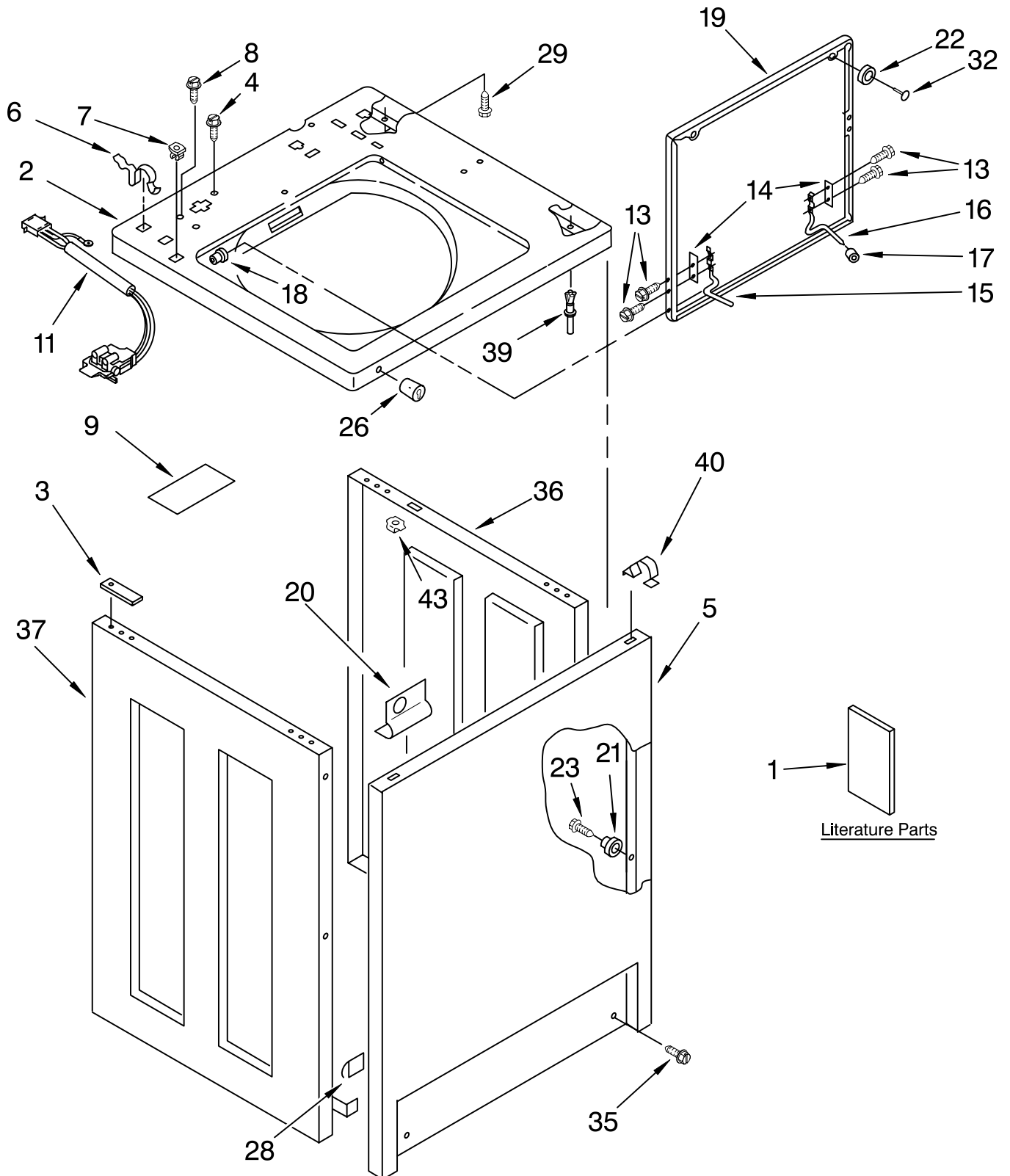
Benton Harbor, Michigan.

© 2002 WHIRLPOOL CORPORATION

TOP AND CABINET PARTS

For Model: CAM2762KQ0

(White)



FOR ORDERING INFORMATION REFER TO PARTS PRICE LIST

TOP AND CABINET PARTS

For Model: CAM2762KQ0
(White)

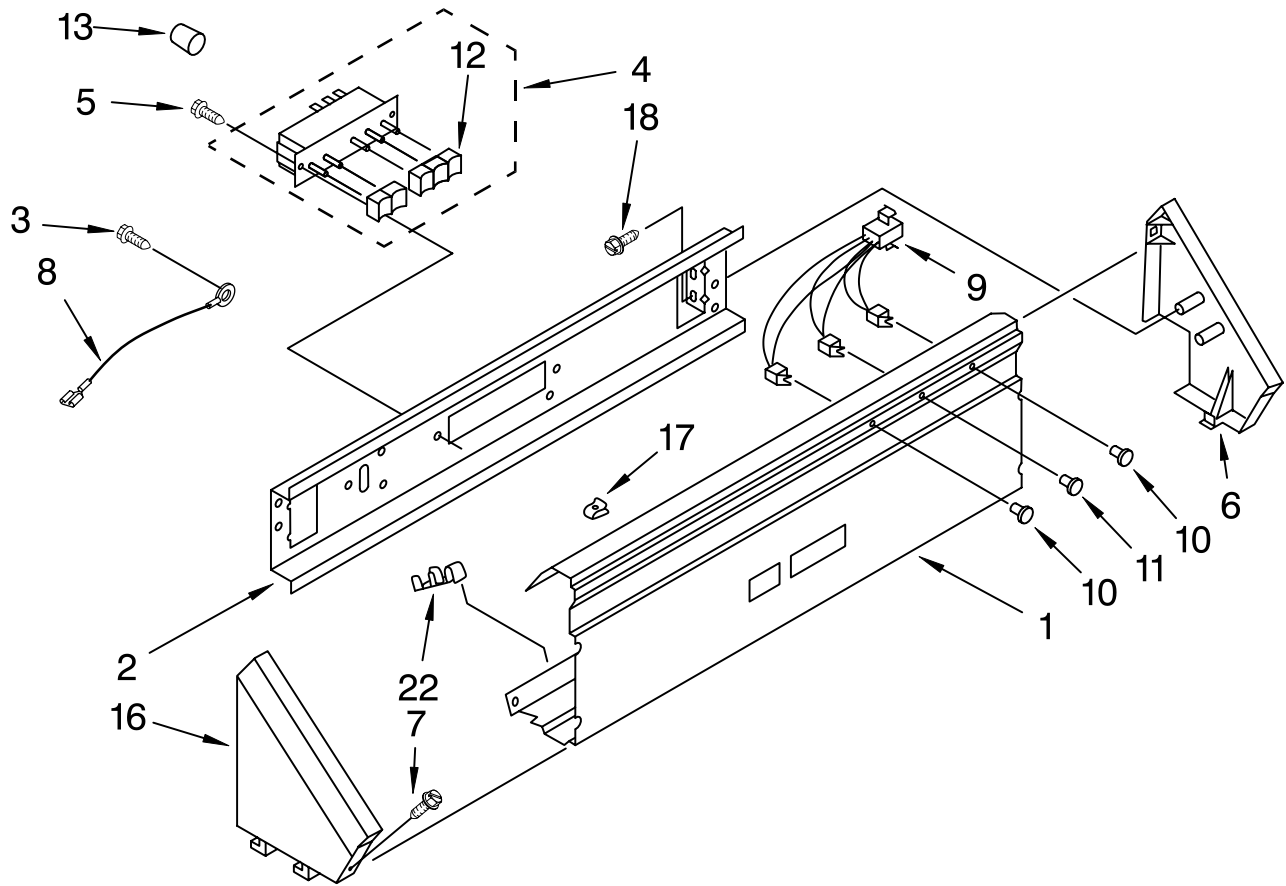
<u>Illus.</u> <u>No.</u>	<u>Part</u> <u>No.</u>	<u>DESCRIPTION</u>
1		Literature Parts
	LIT8315954	Installation Instructions
	LIT3954757	Wiring Diagram
	LIT8316532	Instructions, Coin Kit
	LIT8524724	Repair Parts List
2	8524688	Top
3	3353950	Spacer, Cabinet To Top (4)
4	3351614	Screw
5	3358500	Panel, Front
6	62780	Clip, Top & Cabinet & Rear Panel (2)
7	358473	Nut, Push-In (2)
8	3400611	Screw & Washer, Lid Switch (2)
9	3953152	Shield, Pressure Switch
11	8054980	Switch, Lid
13	3351355	Screw, Lid Hinge Mounting (4)
14	21097	Pad, Lid Hinge (2)
15	8524784	Hinge, Lid (L.H.)
16	54583	Hinge, Lid (R.H.)
17	19119	Bumper, Lid Hinge
18	21258	Bearing, Lid Hinge (2)
19	8316257	Lid
20	3353948	Bracket, Lock
	63554	Rivet
21	3353812	Locator (4)
22	356908	Bumper, Lid
23	718258	Screw (4)
26	387371	Plug, Lock
28	98234	Clip, Ground
29	3353993	Screw (2)
32	356907	Rivet, Plastic
35	3393258	Screw, Panel Mtg. (2)
36	3353708	Panel, R.H.
37	3353714	Panel, L.H.
39	3353949	Pin, Locator (2)
40	18776	Lock (2)
43	90406	Cage Nut

FOR ORDERING INFORMATION REFER TO PARTS PRICE LIST

CONTROL PANEL PARTS

For Model: CAM2762KQ0

(White)



Illus. No.	Part No.	DESCRIPTION
1	8316235	Panel, Console
2	3361029	Bracket, Control
3	3400073	Screw
4	8316435	Switch, Cycle Selector (Includes Illus. No. 12)
5	3390646	Screw, 8-18 X 5/16
6	8316516	End Cap (R.H.)
7	8281182	Screw, 8-18 x 1.25
8	3398893	Wire, Ground
9	3352457	Lights, Indicator
10	3348109	Lens, Amber (2)
11	3348110	Lens, Yellow (1)
12	8316433	Pushbutton (5)
13	359702	Cap, Terminal
16	3949734	End Cap (L.H.)
17	689559	Nut, Push-In (2)
18	97787	Screw, End Cap To Bracket (4)
22	357572	Clip, Grounding

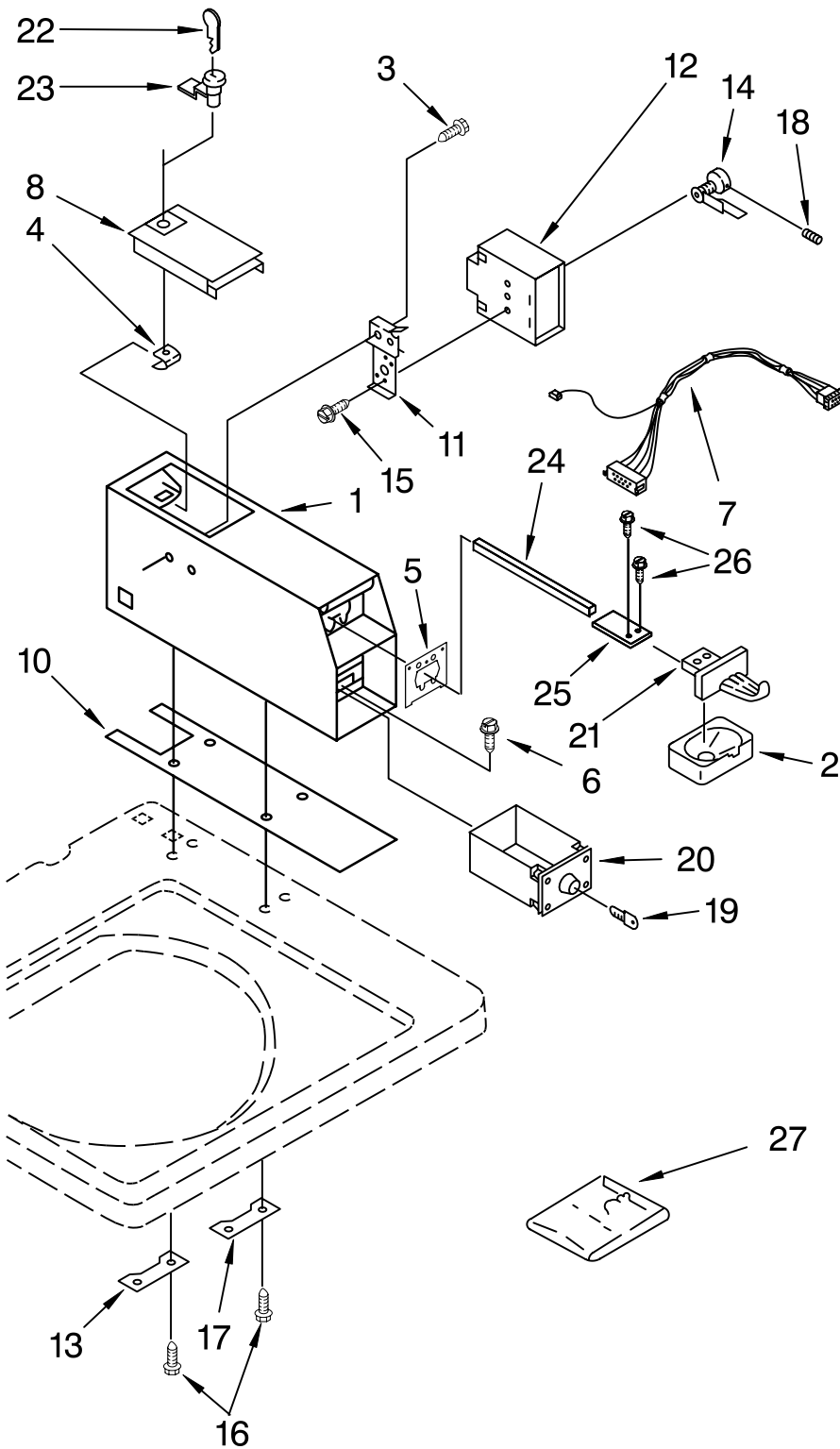
FOR ORDERING INFORMATION REFER TO PARTS PRICE LIST

METER CASE PARTS

For Model: CAM2762KQ0

(White)

Illus. Part
No. No. DESCRIPTION



1	3406994	Meter Case
2	385421	Funnel, Coin
3	339805	Screw, 10-32 X 3/16
4	90406	Nut, Cage
5	3954761	Plate, Adapter (Includes #2)
6		Bolt
	3353994	5/16 - 18 x 2 1/2
	3349065	5/16 - 24 x 1
7	3954764	Wire Harness
8	3351136	Door, Service
10	3954812	Cushion, Case
11	385575	Bracket, Timer
12	3954756	Timer, 60 Hz.
13	3353813	Plate, Mounting
14	385571	Clutch, Timer
	354987	E-Ring
15	3400064	Screw, Timer
16	98445	Screw, 10-16 x 3/4
17	3347825	Plate, Mounting
18	98654	Screw, Set

Coin Mechanism Parts May Be
Ordered from Whirlpool (*)
Or Vendor(s) Listed Below

19		Key, Money Box (Specify Vendor of Money Box When Ordering)
20	*8316525	Money Box With Key
21	*8316520	Coin Chute
	*8316264	Insert, Blank
	*8316265	Insert, 25¢
22		Key, Service Door
23	*8316526	Security Lock & Cam Assembly
24	*8318517	Bolt, Slide Mechanism
25	*8316522	Extension
26	*3400086	Screw, 10-32 x 3/8
27	*8316524	Kit, Decal

◆ GREENWALD
212 Middlesex Ave.
Chester, CT
06412-1254

1-800-221-0982

sales@greenwaldindustries.com

◆ ESD
270 New Jersey Dr.
Fort Washington, PA
19034

1-800-523-1510

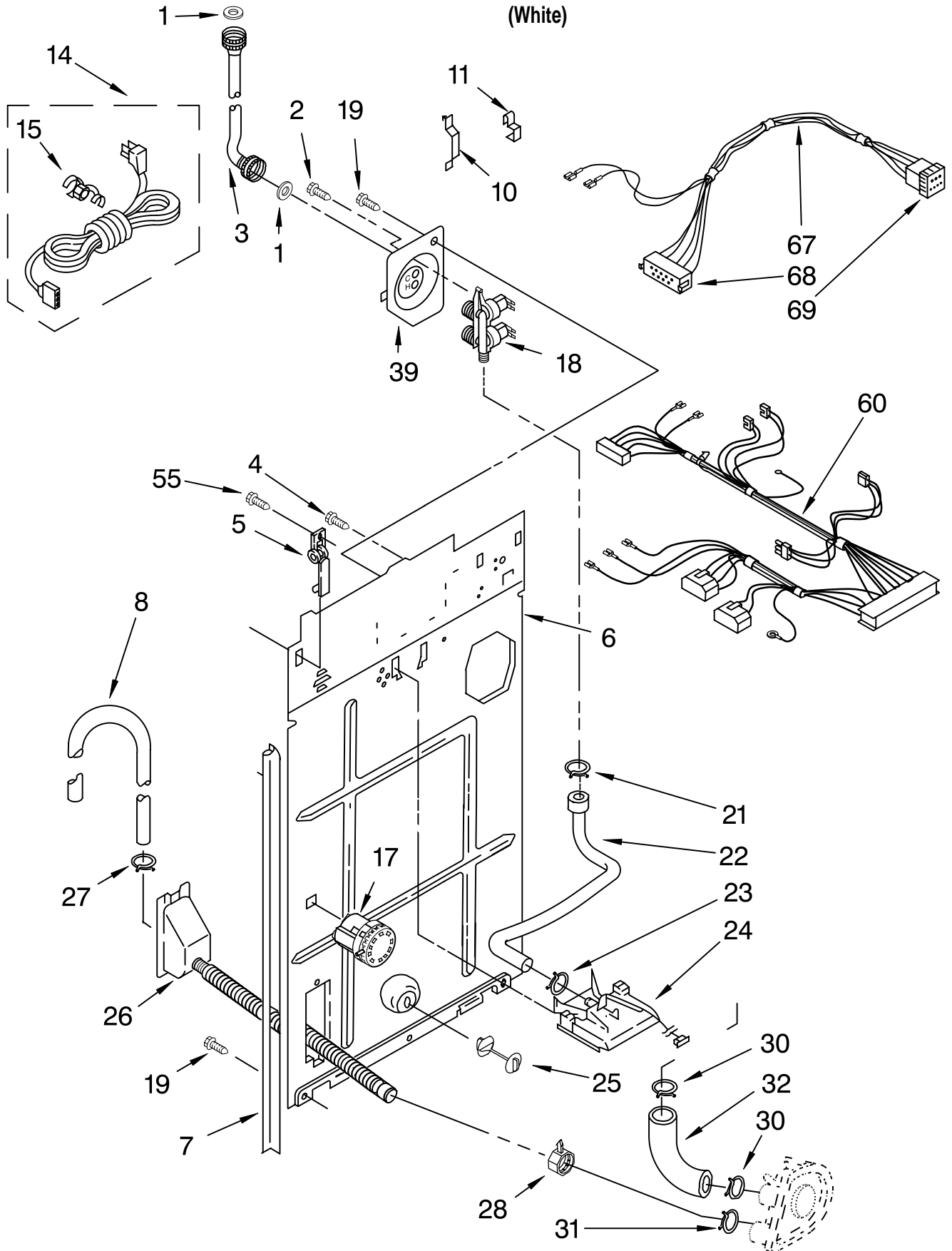
info@esdcoin.com

FOR ORDERING INFORMATION REFER TO PARTS PRICE LIST

REAR PANEL PARTS

For Model: CAM2762KQ0

(White)



FOR ORDERING INFORMATION REFER TO PARTS PRICE LIST

REAR PANEL PARTS

For Model: CAM2762KQ0

(White)

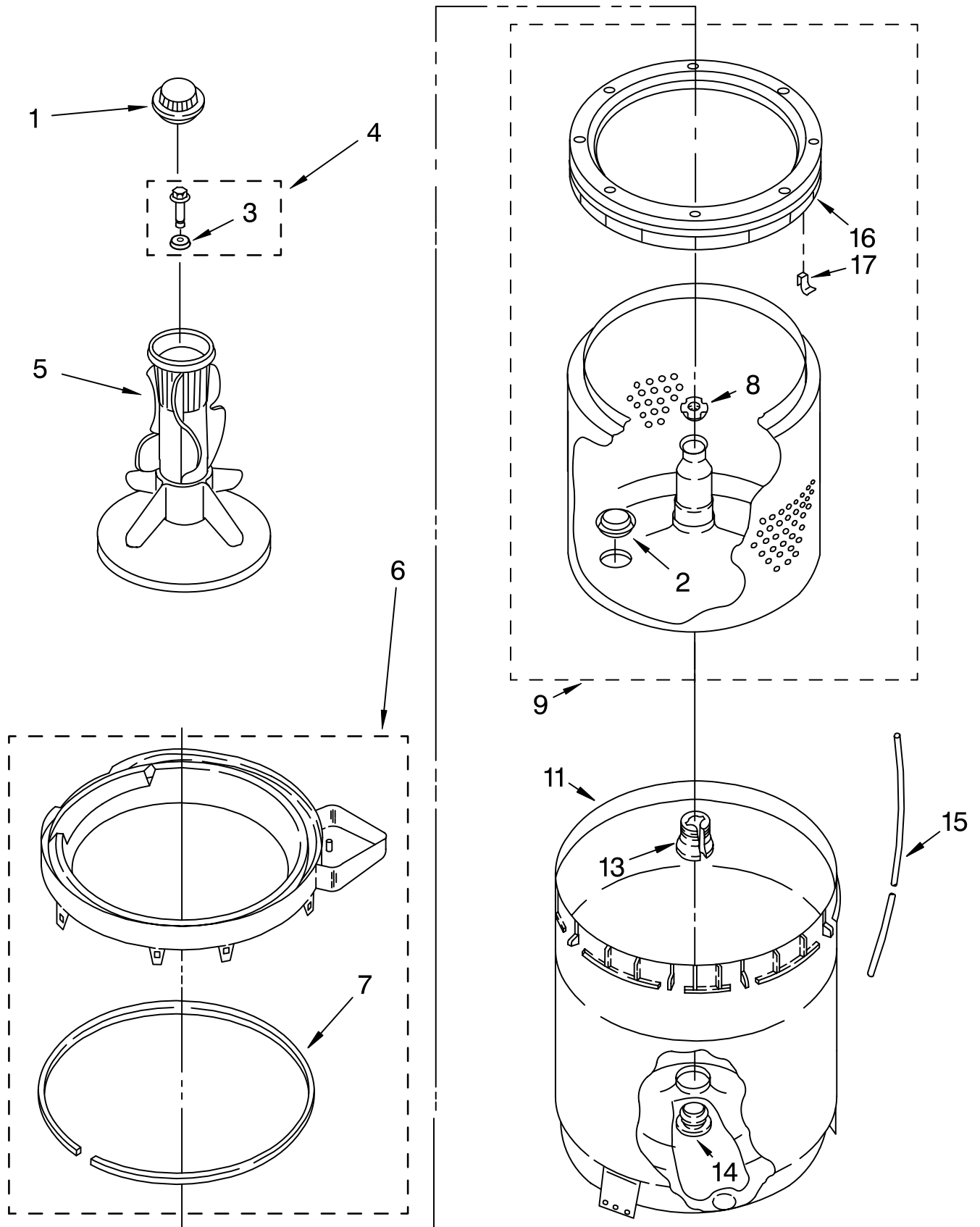
Illus. No.	Part No.	DESCRIPTION	Illus. No.	Part No.	DESCRIPTION	Illus. No.	Part No.	DESCRIPTION
1	16123	Washer, Water Inlet Hose (4) (1-1/16 x 5/8)	10	8054658	Clip, Harness	26	8317940	Drain Hose Assembly
2	9740848	Screw	11	8282518	Clip, Harness	27	3366912	Clamp, Hose
3		Hose, Water Inlet (2)	14	3359548	Cord, Power	28	3976395	Clamp, Hose
	3949380	Blue Coupler	15	63848	Strain Relief, Power Cord To Rear Panel	30	3363366	Clamp, Hose
	3949381	Red Coupler	17	3952720	Pressure Switch	31	8317496	Clamp, Hose
4	3351614	Screw, 10-24 x 3/8	18	3952164	Valve, Water Mixing	32	3951449	Hose, Pump To Tub
5	387402	Hinge, Console (2)	19	62863	Screw, 10-16 x 3/8	39	3347682	Plate, Mixing Valve
6	8312721	Panel, Rear	21	370451	Clamp, Hose	55	3390647	Screw, Hinge To Rear Panel
7	3354204	Pad, Rear Panel	22	62662	Hose, Vacuum Break	60	3955505	Harness, Wiring (For Detail See Pages 12 & 13)
8	96743	Hose, Drain (4')	23	371503	Clamp, Hose	67	3355803	Harness, Timer (Includes Illus. 68 & 69)
	661577	Hose, Drain (9' - 9") (Not Included)	24	3347034	Break, Vacuum	68	352089	Block, Timer Disconnect
	3357090	Extension, Drain Hose (21 Inches) (Not Included)	25	8519200	Support, Rear Panel	69	96895	Cap, Terminal

FOR ORDERING INFORMATION REFER TO PARTS PRICE LIST

AGITATOR, BASKET AND TUB PARTS

For Model: CAM2762KQ0

(White)



FOR ORDERING INFORMATION REFER TO PARTS PRICE LIST

AGITATOR, BASKET AND TUB PARTS

For Model: CAM2762KQ0

(White)

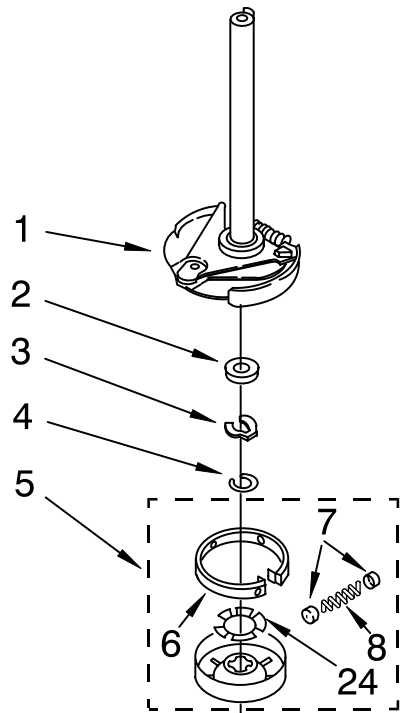
Illus. No.	Part No.	DESCRIPTION
1	3355758	Cap, Agitator
2	3352284	Snap-In-Plugs
3	3949550	Washer
4	358237	Screw & Washer (5/16-24 X 1)
5	3350151	Agitator
6	3360611	Tub Ring
7	3359586	Gasket, Tub Ring
8	21366	Nut, Spanner
9	8271650	Basket And Balance Ring
11	63125	Tub
13	389140	Block, Drive
14	383727	Gasket, Centerpost
15	3363655	Hose, Pressure Switch
16	387868	Balance Ring (Incl. Item 17)
17	8519815	Clip, Balance Ring (8)

FOR ORDERING INFORMATION REFER TO PARTS PRICE LIST

BRAKE, CLUTCH, GEARCASE, MOTOR AND PUMP PARTS

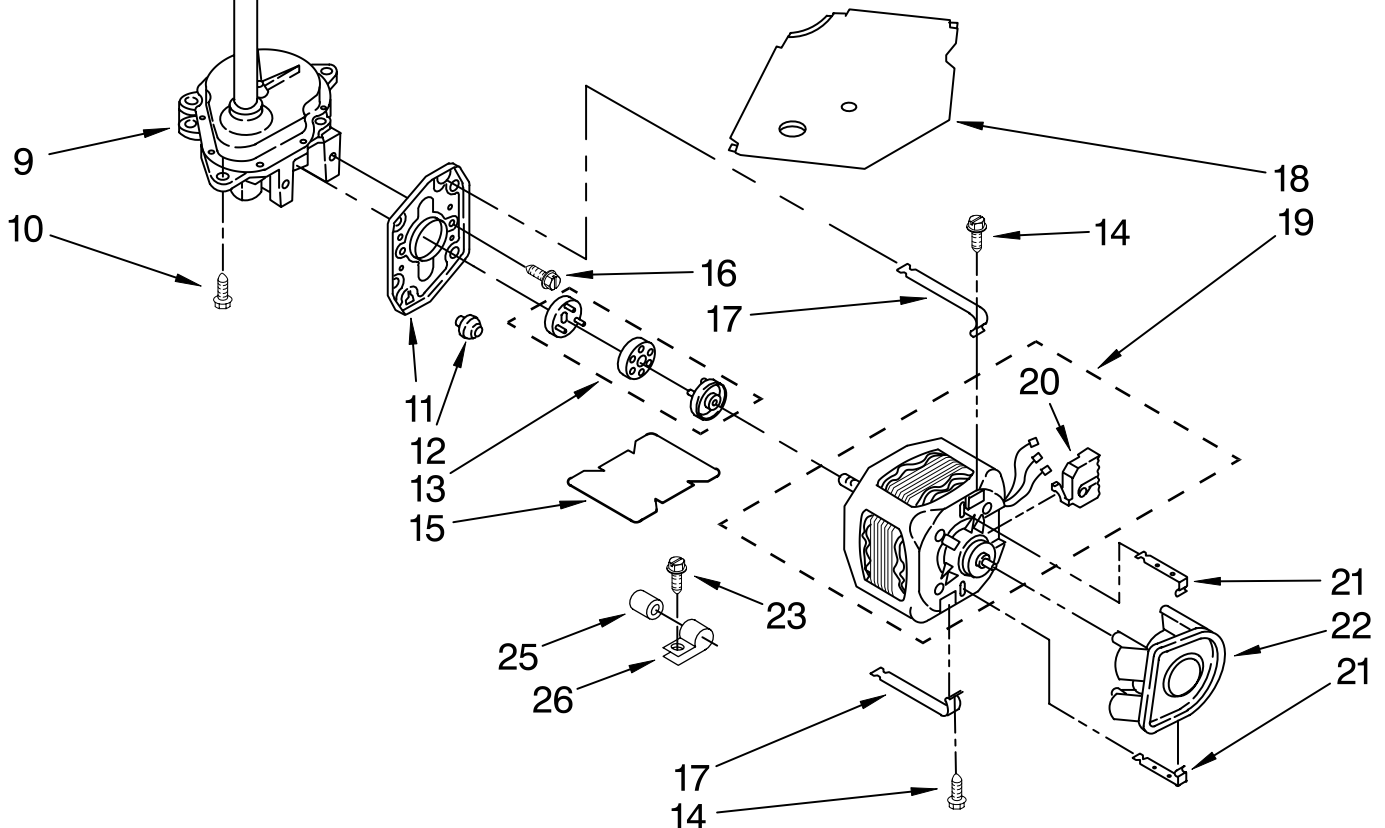
For Model: CAM2762KQ0

(White)



Illus. No.	Part No.	DESCRIPTION
1	388951	Brake & Drive Tube (Complete) (Refer to Page 13 For Further Breakdown)
2	63292	Washer, Spin Tube Thrust
3	62697	Ring, Spin Tube Support
4	63283	Ring, Retainer
5	3951311	Clutch (Complete)
6	3951308	Band & Lining, Clutch (Includes Illus. 7 & 8)
7	62646	Cap, Clutch Spring (2)
8	3946792	Spring, Clutch
9	3360630	Gearcase (Complete) (Refer To Page 14 For Further Breakdown)
10	3357334	Screw, Gearcase To Base (3)

Illus. No.	Part No.	DESCRIPTION
11	62611	Plate, Motor Mount To Gearcase
12	62691	Grommet, Motor (4)
13	285852	Coupling, Motor And Isolation
14	3387485	Screw (2) #10-16 x 5/8
15	3946532	Shield, Motor
16	3400516	Screw
17	3349637	Retainer, Motor (2)
18	3362089	Shield, Tub To Motor
19	661600	Motor, Main Drive
20	62850	Switch, Main Drive Motor
21	62700	Retainer, Pump (2)
22	3363394	Pump (Complete)
23	62863	Screw, 10-16 x 3/8
24	3355454	Clip, Anti-Rattle
25	661606	Capacitor
26	357030	Clamp, Capacitor

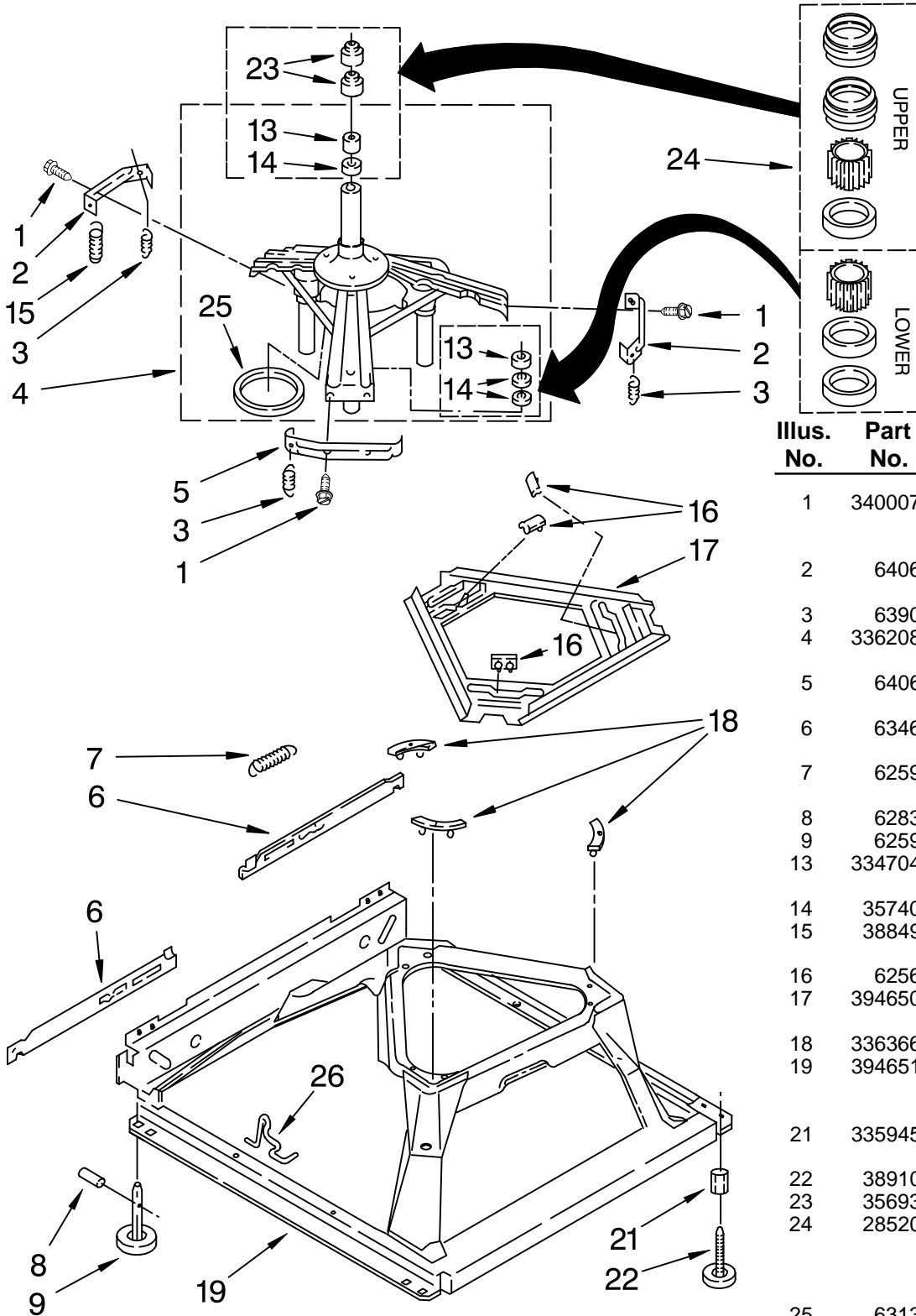


FOR ORDERING INFORMATION REFER TO PARTS PRICE LIST

MACHINE BASE PARTS

For Model: CAM2762KQ0

(White)

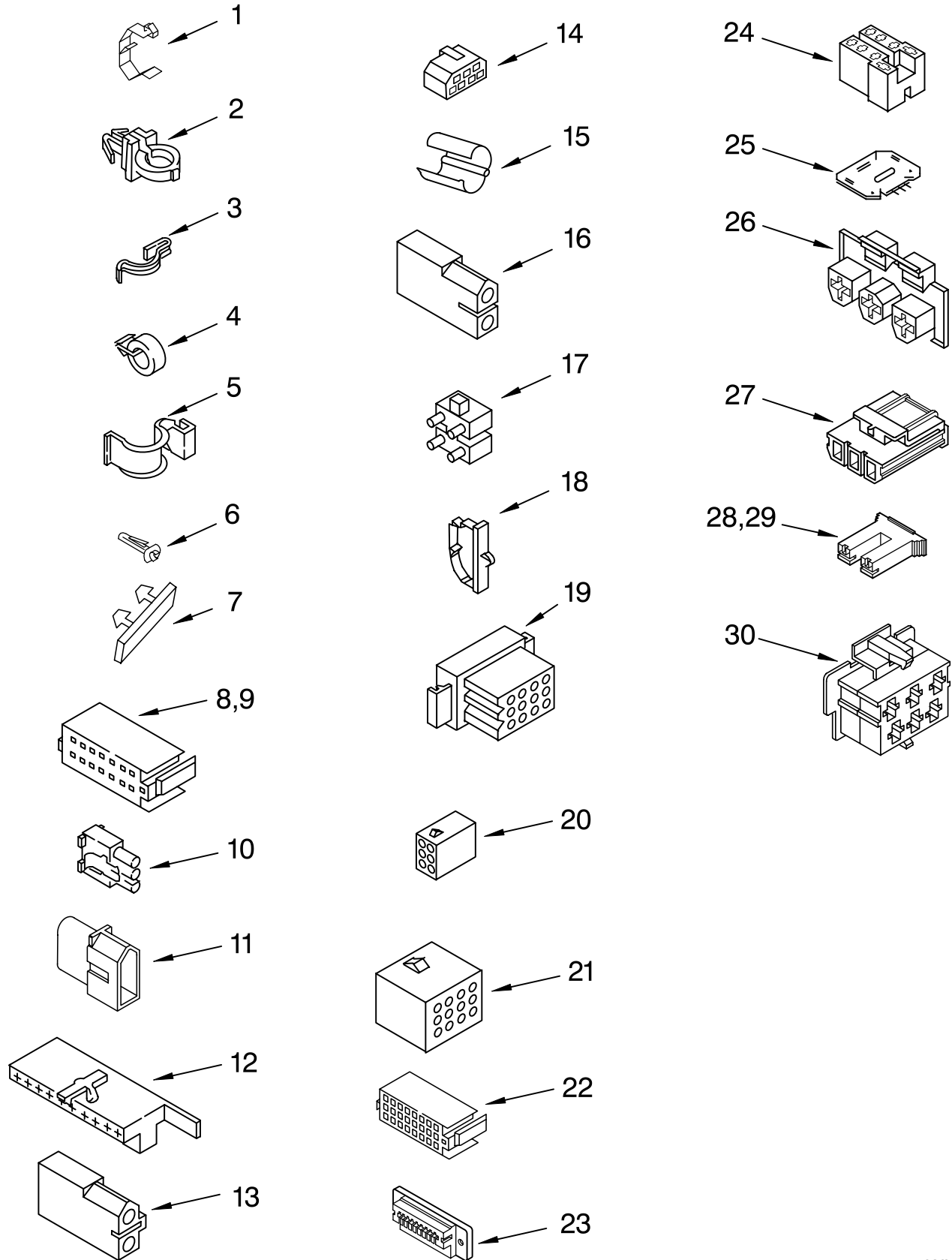


Illus. No.	Part No.	DESCRIPTION
1	3400076	Screw, Bracket Mounting (10-32 x 5/8)
2	64067	Bracket, Spring Outer (2)
3	63907	Spring, Suspension (3)
4	3362087	Support & Brake, Tub
5	64065	Bracket, Spring Outer (L.F.)
6	63466	Link, Leveling Mechanism (2)
7	62597	Spring, Leveling Mechanism
8	62837	Pin, Knurled
9	62596	Foot, Rear (2)
13	3347047	Bearing, Centerpost (2)
14	357409	Seal, Centerpost (3)
15	388492	Spring, Counterweight
16	62568	Pad, Plate
17	3946509	Plate, Suspension (Includes Illus. 16)
18	3363660	Pad, Base
19	3946512	Base Assembly (Includes Illus. 6, 7, 8, 9, 18 & 26)
21	3359452	Nut, Lock (3/8-16)
22	389102	Foot, Front (2)
23	356934	Seal, Centerpost (2)
24	285203	Centerpost Bearing Kit (Includes Illus. 13, 14 & 23)
25	63134	Ring, Sound Deadening
26	63806	Retainer, Suspension Spring

FOR ORDERING INFORMATION REFER TO PARTS PRICE LIST

WIRING HARNESS PARTS

For Model: CAM2762KQ0
(White)



WH2G

FOR ORDERING INFORMATION REFER TO PARTS PRICE LIST

WIRING HARNESS PARTS

For Model: CAM2762KQ0

(White)

Illus. No.	Part No.	DESCRIPTION	Illus. No.	Part No.	DESCRIPTION	Illus. No.	Part No.	DESCRIPTION
1	3349557	Clip, Harness	13	3348075	Block, Disconnect (Motor 3 Speed)	23	3349494	Connector, Etc
2	388498	Clip, Harness			(Use Term. 94613 Or 94614.)	24	60687	Connector, Relay (Use Term.308569)
3	3347812	Clip, Harness	14	3347243	Block, Disconnect (Use Term. 352088)	25	3407125	E.T.C. Control
4	3352501	Clip, Harness	15	63523	Protector	26	3948617	Connector (T.P.A.) (3-Circuit) (Lid Switch)
5	90016	Clip, Harness	16	717252	Connector (2-Way) (Use Term.94614)	27	3360056	Connector (T.P.A.) (3-Circuit) (Pressure Switch) (Use Term.3948619 OR 3948620.)
6	3390496	Clip, Harness	17	387566	Plug, Terminal (4-Way) (Power Cord) (Use M3 Screws)	28	3354925	Block, Connector (Cold Valve) (Use Term.693217)
7	389379	Retainer, (Suds Models)	18	3352944	Clip, Harness	29	3354926	Block, Connector (Hot Valve) (Use Term.693217)
8	352090	Timer, Block Disconnect (White)	19	3390423	Block, Disconnect (12-Way) (Timer) (Use Term. 94613)	30	3948615	Connector (T.P.A.) (6-Circuit) (Temp. Switch) (Use Term.3948619 OR 3948620.)
9	352089	Timer, Block Disconnect (Black)	20	3347730	Receptacle (6-Way) (Use Term. 94613)			
10	62889	Receptacle, Terminal (3-Way) (Lid Switch) (Use Term.94613) Or 94614.)	21	388818	Plug, Terminal (12-Way) (Use Term. 94613 Or 94614.)			
11	353424	Plug, Terminal (3-Way) (Power Cord) (Use Term.94613)	22	3369366	Timer, Block Disconnect (Black) (Amp) (Use Term.3369365)			
12	62505	Block, Disconnect (Motor 2 Speed) (Use Term.352088)						

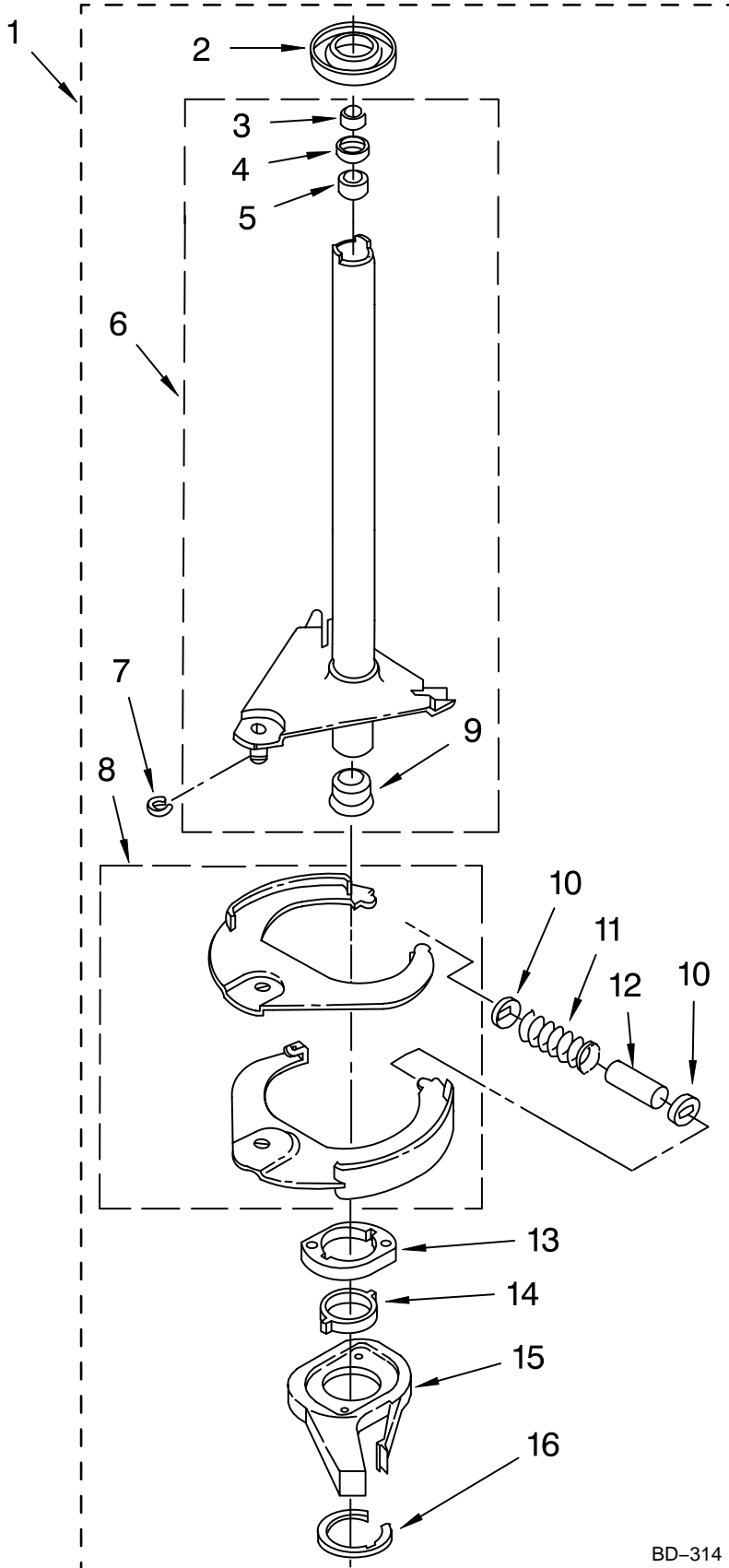
**FOR COMPLETE WIRING HARNESS REFER TO
CONTROL AND REAR PANEL PARTS PAGE**

WH2G

FOR ORDERING INFORMATION REFER TO PARTS PRICE LIST

BRAKE AND DRIVE TUBE PARTS

For Model: CAM2762KQ0
(White)



Illus. No.	Part No.	DESCRIPTION
1	388951	Brake And Drive Tube (Complete)
2	62658	Ring, Thrust
3	91939	Seal, Oil
4	356427	Seal, Drive Tube
5	356937	Spacer, Drive Tube
6	64027	Tube, Basket Drive (Includes Illus. 3, 4, 5 & 9)
7	64035	Ring, Retaining
8	64232	Brake Shoe
9	62703	"T" Bearing, Spin Tube
10	62648	Cap, Brake Spring (2)
11	62647	Spring, Brake
12	62909	Sleeve, Brake Spring
13	63023	Cam, Brake Release
14	63022	Sleeve, Cam
15	64194	Driver, Brake Cam
16	90368	Ring, Retaining

FOLLOWING PARTS
NOT ILLUSTRATED

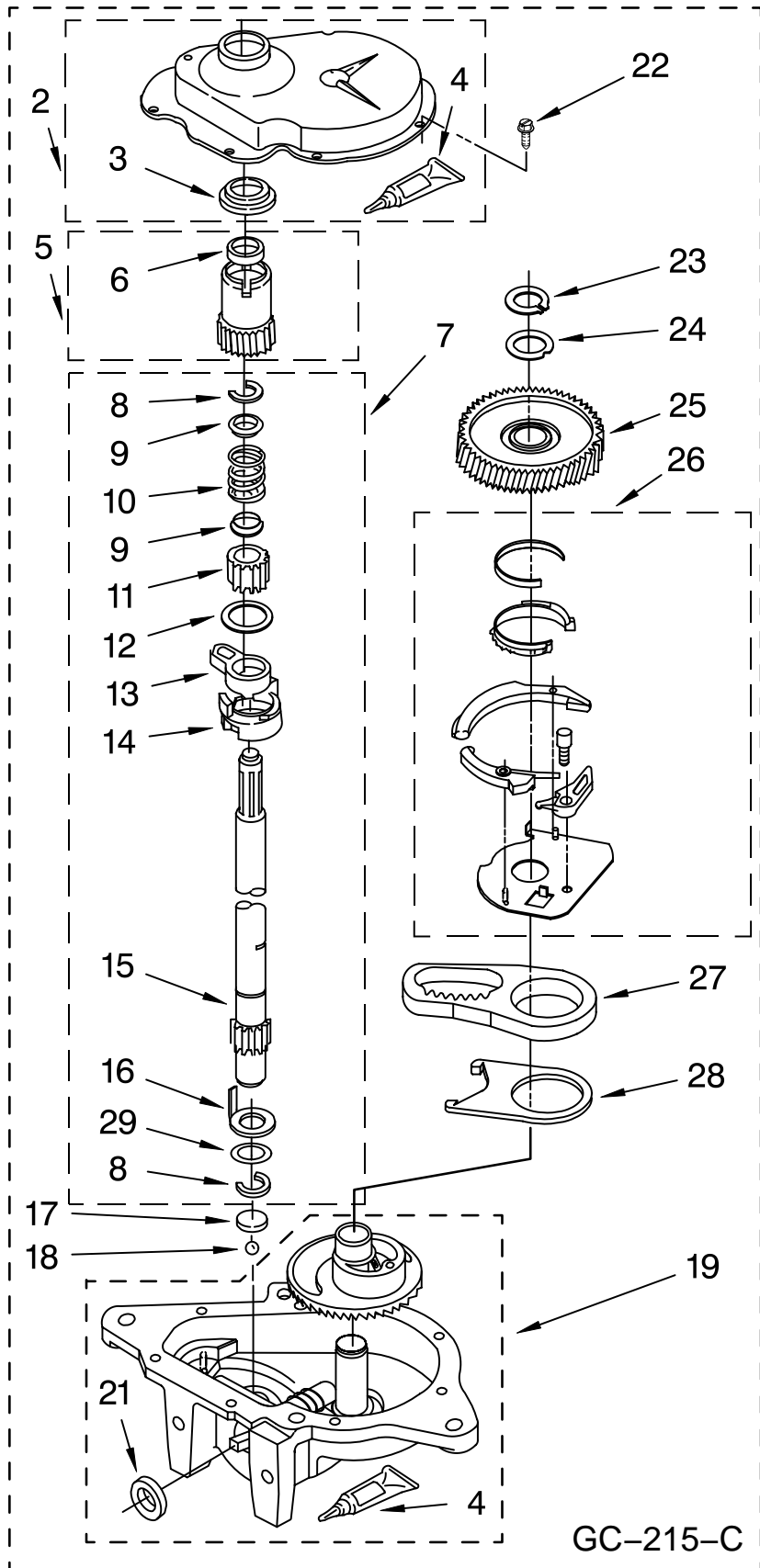
285208 Lubricant
(Use Only In
Brake Shoe
Assembly On
Roller & Pin)

BD-314

FOR ORDERING INFORMATION REFER TO PARTS PRICE LIST

GEARCASE PARTS

For Model: CAM2762KQ0
(White)



Illus. No.	Part No.	DESCRIPTION
1	3360630	Gearcase (Complete)
2	285202	Cover, Gearcase
3	3349985	Seal, Gearcase Cover
4	285195	Sealer, Gasket (.20 Fl. Oz.) (6 ml)
5	63320	Pinion, Spin (Includes Illus. 25)
6	356427	Seal, Spin Pinion
7	389387	Shaft, Agitator (Complete)
8	90369	Ring, Retaining (2)
9	62677	Retainer, Spring
10	62676	Spring, Agitate
11	63273	Gear, Agitate (Includes 15 and 29)
12	62619	Washer, Agitate Gear
13	62580	Cam Follower (Includes 14)
14	62581	Cam, Agitate (Includes 13)
15	285509	Shaft, Agitator (Includes 11 and 29)
16	62618	Washer, Cam Thrust
17	16018	Bearing, Thrust
18	85529	Ball, Bearing
19	389230	Bottom and Pinion, Gearcase
21	285352	Seal, Thrust Plug
22	3351614	Screw, Gearcase Cover, Mounting (8) (10-24 x 3/8)
23	3362552	Ring, Retaining
24	285735	Washer Kit, Thrust
25	62570	Gear, Spin
26	388253	Neutral Assembly
27	3349296	Rack, Connecting
28	62621	Actuator, Shift
29	388815	Washer, Intermediate

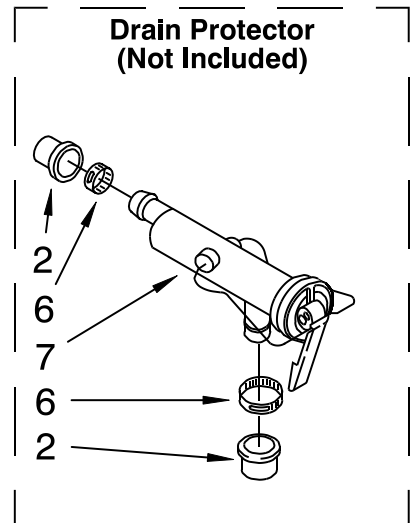
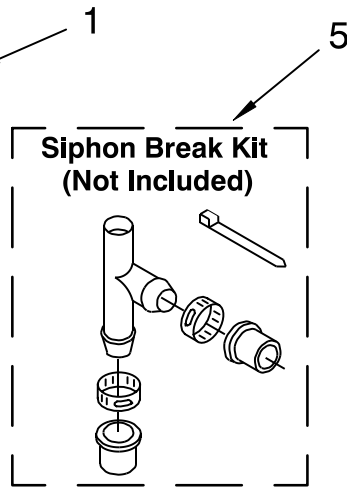
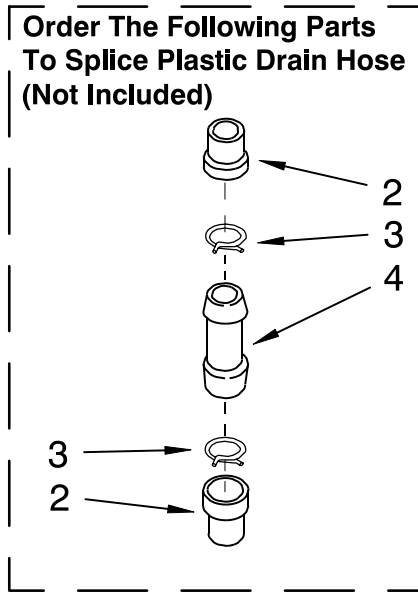
GC-215-C

FOR ORDERING INFORMATION REFER TO PARTS PRICE LIST

WATER SYSTEM PARTS

For Model: CAM2762KQ0

(White)



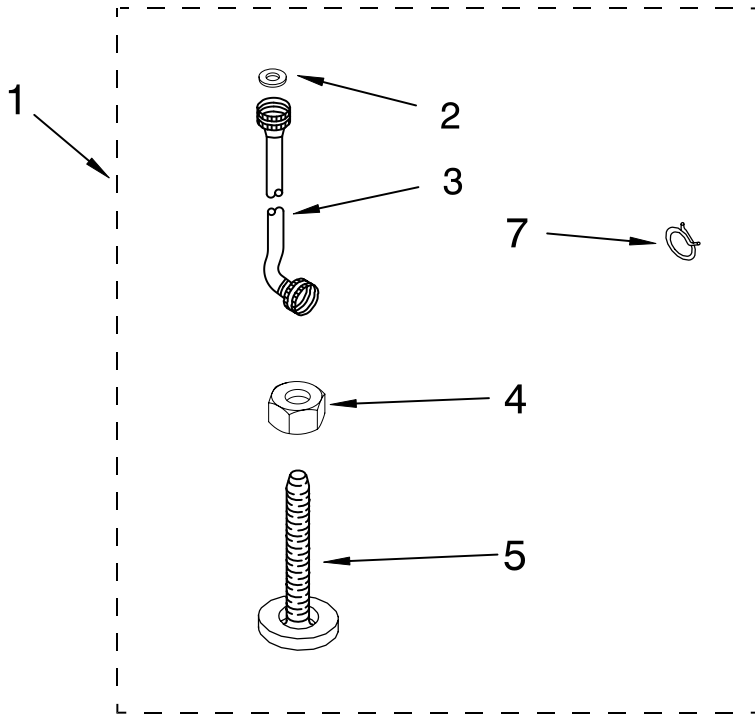
WS400

Illus. No.	Part No.	DESCRIPTION
1	285442	Connector Kit, Plastic Drain Hose
2	285321	Sleeve Kit, (Contains 2 Sleeves)
3	370447	Clamp, Hose
4	16272	Connector, Straight
5	285320	Siphon Break Kit (Not Included)
6	65349	Clamp, Hose
7	367031	Drain Protector (Not Included)

FOR ORDERING INFORMATION REFER TO PARTS PRICE LIST

MISCELLANEOUS PARTS

For Model: CAM2762KQ0
(White)



Illus. No.	Part No.	DESCRIPTION
1	3954579	Miscellaneous Parts Bag
2	16123	Washer, Inlet Hose (1-1/16 x 5/8) (4)
3	3949380	Inlet Hose Blue Coupler
	3949381	Red Coupler
4	3359452	Nut, Lock (3/8-16)
5	389102	Foot, Front (2)
7	3366912	Clamp, Hose

OPTIONAL PARTS (NOT INCLUDED)

Illus. No.	Part No.	DESCRIPTION
<u>PAINT, TOUCH-UP (1/2oz.)</u>		
	72017	White
<u>PAINT, PRESSURIZED SPRAY (12 oz.)</u>		
	350938	Primer, Gray
	350930	White

Illus. No.	Part No.	DESCRIPTION
<u>PAINT, BULK (1 qt.)</u>		
	799344	White (Uncut)
<u>OIL</u>		
	350572	Oil, Gearcase (16 Oz.)

Illus. No.	Part No.	DESCRIPTION
<u>LUBRICANT</u>		
	285208	Lubricant (Use Only in Brake Shoe Assembly On Roller and Pin)
<u>SEALER</u>		
	285195	Sealer, Gasket (.20 Fl. Oz.) (6 ml)

FOR ORDERING INFORMATION REFER TO PARTS PRICE LIST